

Style (1A)

- Style

Copyright (c) 2012 Young W. Lim.

Permission is granted to copy, distribute and/or modify this document under the terms of the GNU Free Documentation License, Version 1.2 or any later version published by the Free Software Foundation; with no Invariant Sections, no Front-Cover Texts, and no Back-Cover Texts. A copy of the license is included in the section entitled "GNU Free Documentation License".

Please send corrections (or suggestions) to youngwlim@hotmail.com.

This document was produced by using OpenOffice and Octave.

Style (1)

In-line Style

```
<body>  
<p style="font-size:15px"> ABCDE FGHIJK </p>  
</body>
```

Internal Style

```
<head>  
<style type="text/css"  
  p {font-size:15px}  
</style>  
</head>
```

External Style

```
<head>  
<link rel="stylesheet" type="text/css" href="mystyle.css">  
</head>
```

Style (1)

In-line Style

```
<body>  
<p style="font-size:15px"> ABCDE FGHIJK </p>  
</body>
```

Internal Style

```
<head>  
<style type="text/css">  
  p {font-size:15px}  
</style>  
</head>
```

External Style

```
<head>  
<link rel="stylesheet" type="text/css" href="mystyle.css">  
</head>
```

In-line Sytle

In-line Style

```
<body>  
<p style="font-size:15px"> ABCDE FGHIJK </p>  
</body>
```

t.html


```
<html>  
<head>  
  
</head>  
  
<body>  
  
<p style="font-size:15px"> ABCDE FGHIJK </p>  
<p> UUUUU KKKKK </p>  
</body>  
</html>
```

Internal Style

Internal Style

```
<style type="text/css">
  p {font-size:15px}
</style>
```

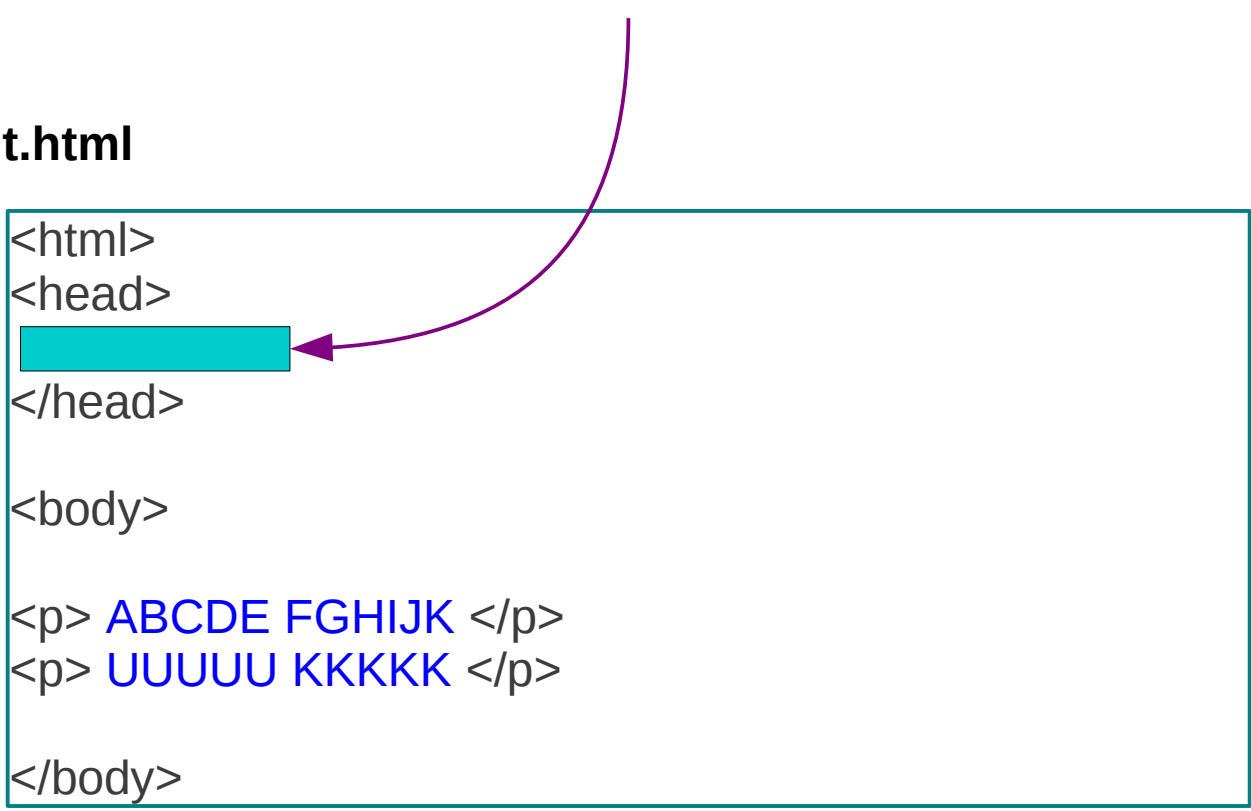
t.html

```
<html>
<head>
  
</head>

<body>

<p> ABCDE FGHIJK </p>
<p> UUUUU KKKKK </p>

</body>
```



External Style

External Style

```
<head>  
<link rel="stylesheet" type="text/css" href="mystyle.css">  
</head>
```

t.html

```
<html>  
<head>  
  <link rel="stylesheet" type="text/css" href="mystyle.css">  
</head>  
  
<body>  
  
<p> ABCDE FGHIJK </p>  
<p> UUUUU KKKKK </p>  
</body>
```

mystyle.css

```
p {font-size:15px}
```

Id Selector

To specify a style for a single, unique element

```
<style type="text/css"
#mynum1 {font-size:15px}
#mynum2 {color:blue}
</style>
```

t.html

```
<html>
<head>
</head>

<body>
<p id="mynum1"> ABCDE FGHIJK </p>
<p id="mynum2"> UUUUU MMMM </p>
<p id="mynum1 mynum2"> OOOOO EEEEE </p>
</body>
```


Class Selector

To specify a style for a group of elements

```
<style type="text/css"
```

```
  .myclass1 {font-size:15px}
```

```
  .myclass2 {color:blue}
```

```
</style>
```

t.html

```
<html>
```

```
<head>
```

```
</head>
```

```
<body>
```

```
<p class="myclass1"> ABCDE FGHIJK </p>
```

```
<p class="myclass2"> UUUUU MMMM </p>
```

```
<p class="myclass1 myclass2"> OOOOO EEEEE </p>
```

```
</body>
```

HTML Attribute

`<ol type="1" start="3">`

property value property value

`<p style="font-size:20px">`

css attribute value

property value

CSS Attribute

```
ol {  
  list-style-type:upper-roman;  
}
```

css attribute

value

```
p {  
  font-size:20px  
}
```

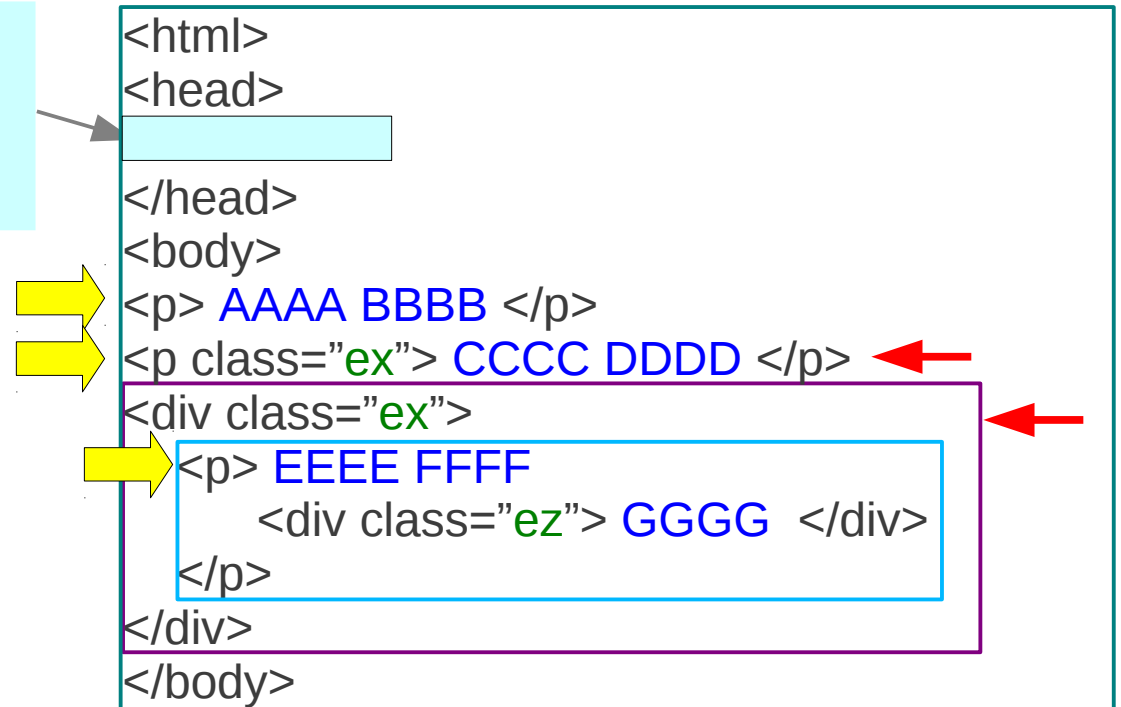
css attribute

value

No Grouping

```
<style type="text/css"
  p { background-color:yellow; }
  .ex { color:red; }
</style>
```

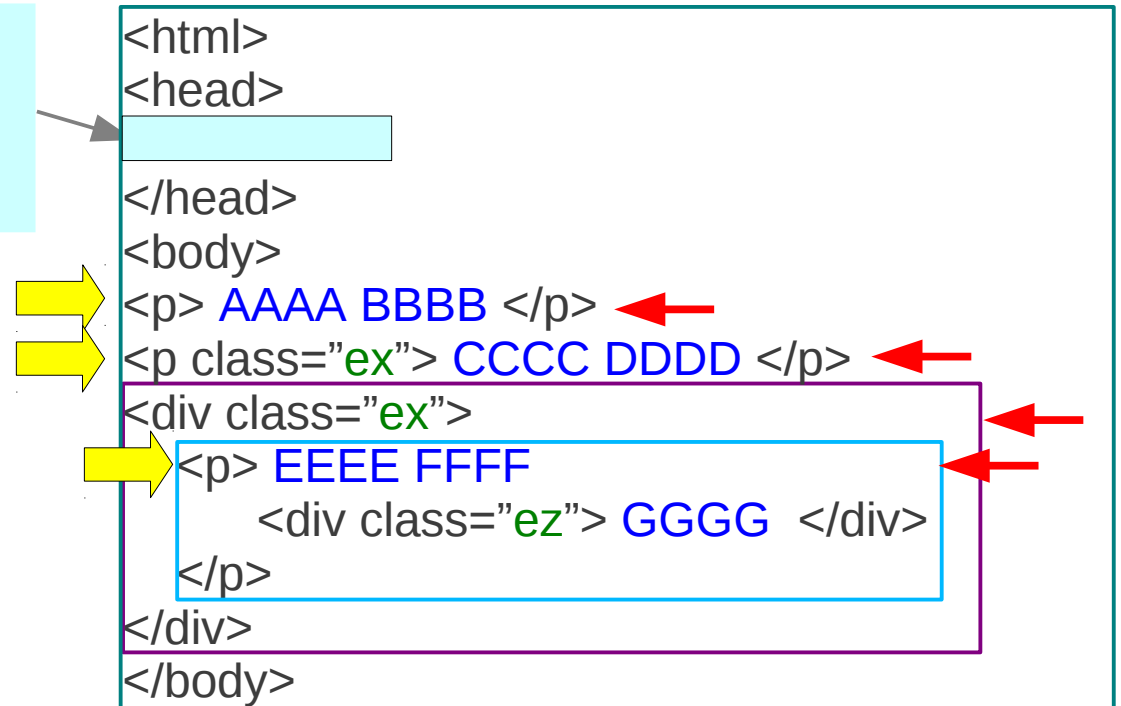
No grouping



Grouping Selectors

```
<style type="text/css"
  p { background-color:yellow; }
  p, .ex { color:red; }
</style>
```

Comma separated
: Grouping

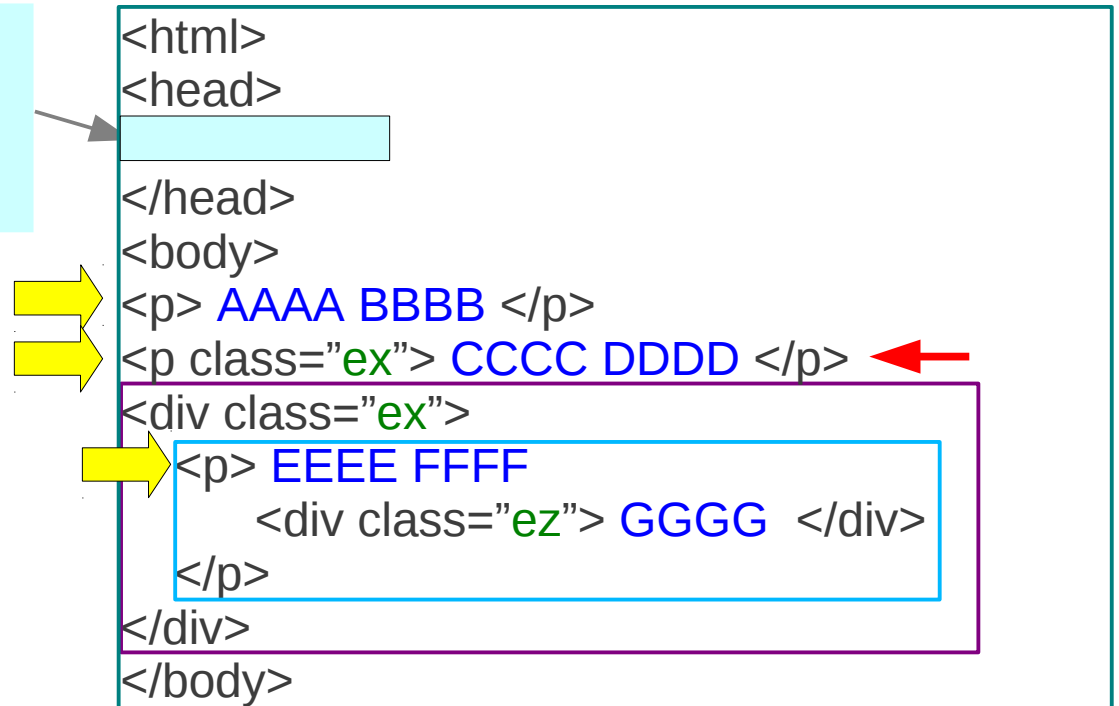


Specific Selectors

```
<style type="text/css"
  p { background-color:yellow; }
  p.ex { color:red; }
</style>
```

No Space :
Specific element

```
<p class="ex">
```



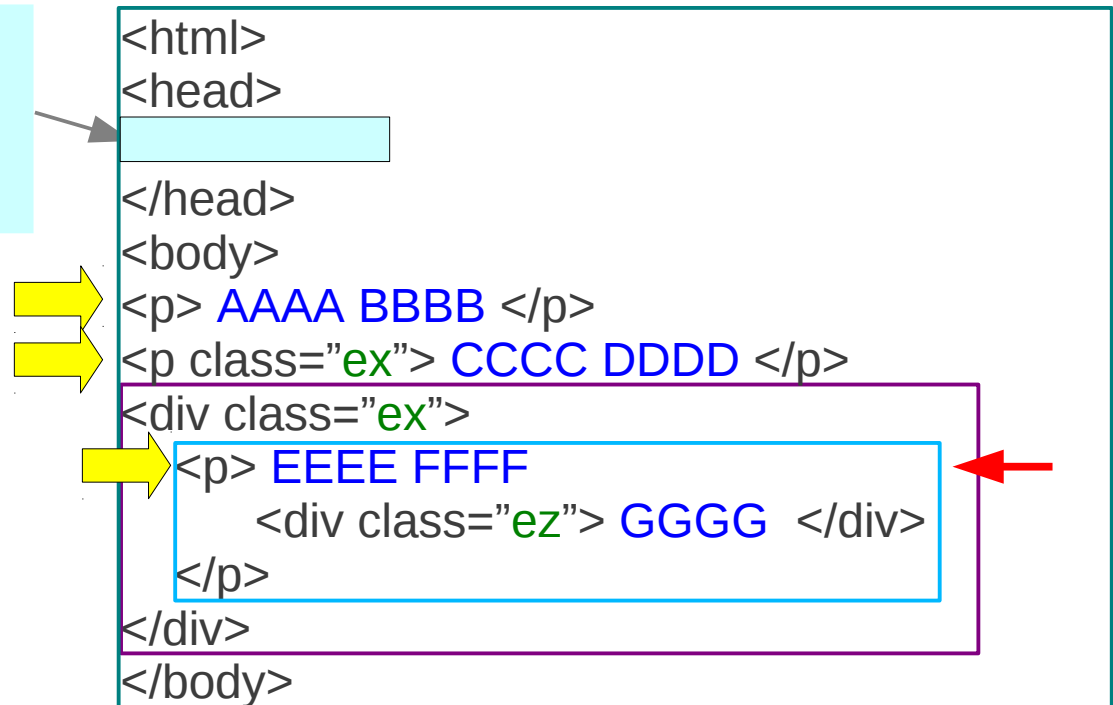
Nesting Selectors (1)

```
<style type="text/css"
  p { background-color:yellow; }
.ex p { color:red; }
</style>
```

Space :
Nesting element

p element
within a class="ex" element

: nested class



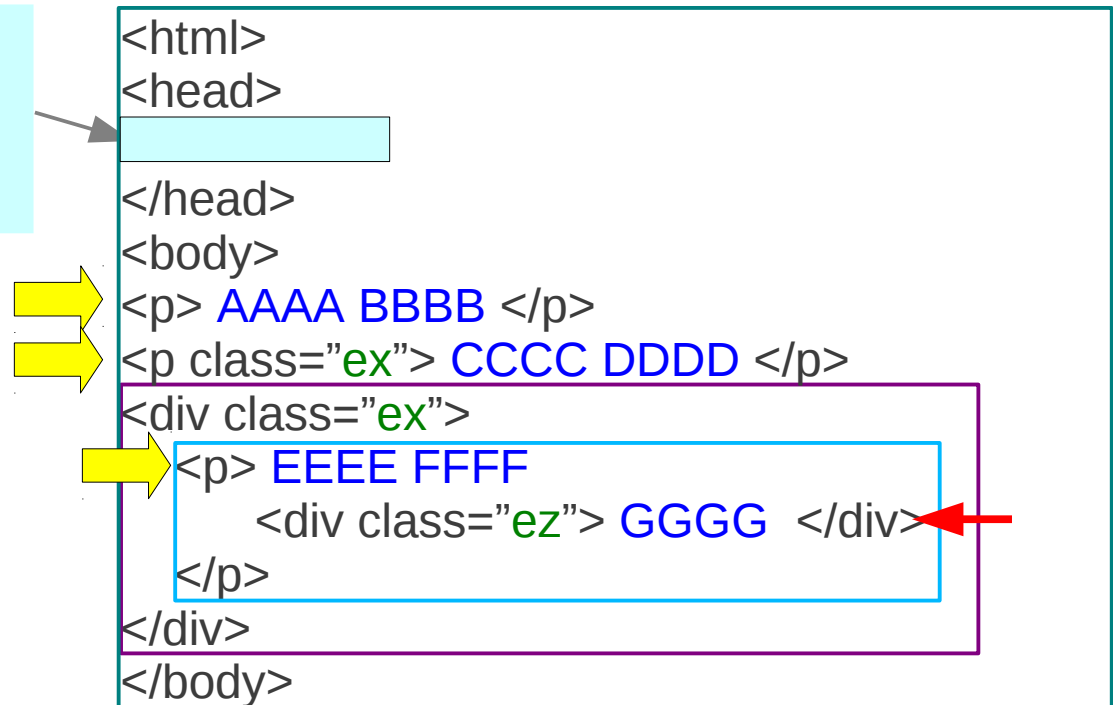
Nesting Selectors (2)

```
<style type="text/css"
  p { background-color:yellow; }
  .ex .ez { color:red; }
</style>
```

Space :
Nesting element

class="ez" element
within a class="ex" element

: nested class



Grouping Selectors

```
p { color:red; }  
ex1 { background:yellow; }
```

css attribute

value

Reference

References

- [1] <http://en.wikipedia.org/>
- [2] <http://www.w3schools.com/>
- [3] K.H. Koh, HTML, CSS, Javascript (in Korean)