

Edge Triggered FlipFlop

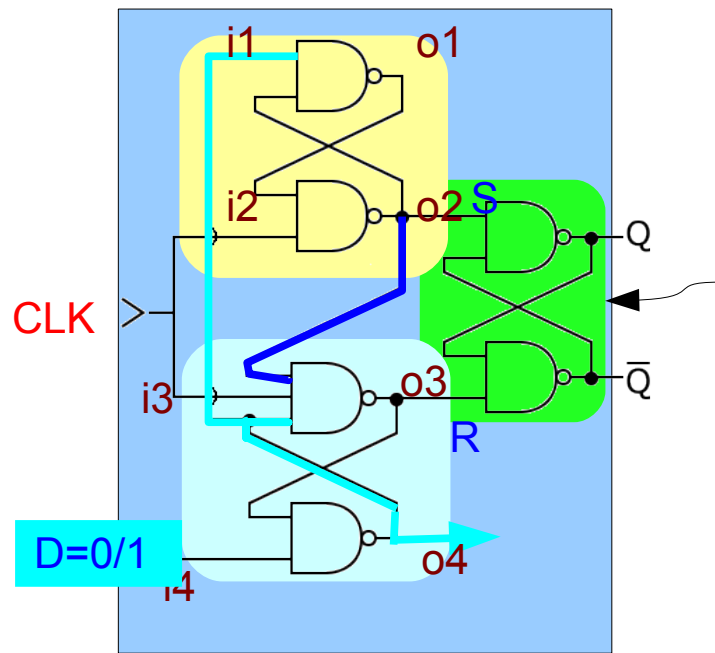
Copyright (c) 2011 Young W. Lim.

Permission is granted to copy, distribute and/or modify this document under the terms of the GNU Free Documentation License, Version 1.2 or any later version published by the Free Software Foundation; with no Invariant Sections, no Front-Cover Texts, and no Back-Cover Texts. A copy of the license is included in the section entitled "GNU Free Documentation License".

Please send corrections (or suggestions) to youngwlim@hotmail.com.

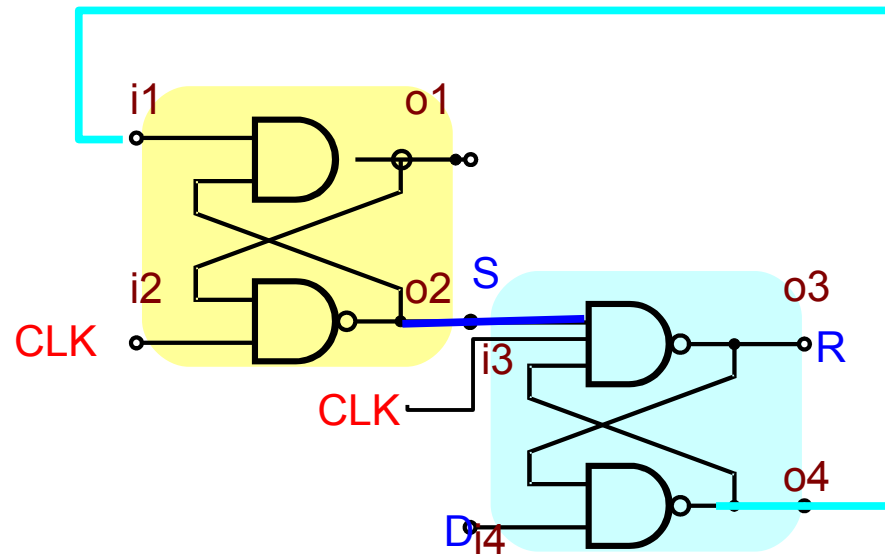
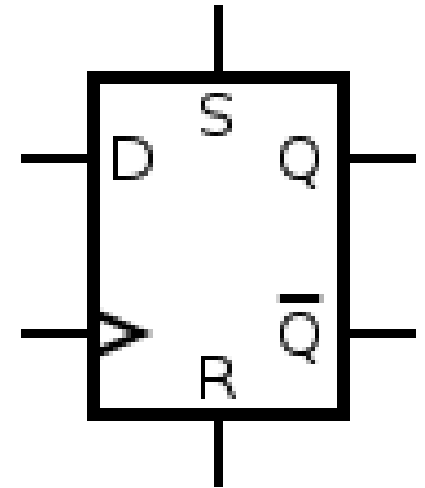
This document was produced by using OpenOffice and Octave.

Classical Edge Triggered FF

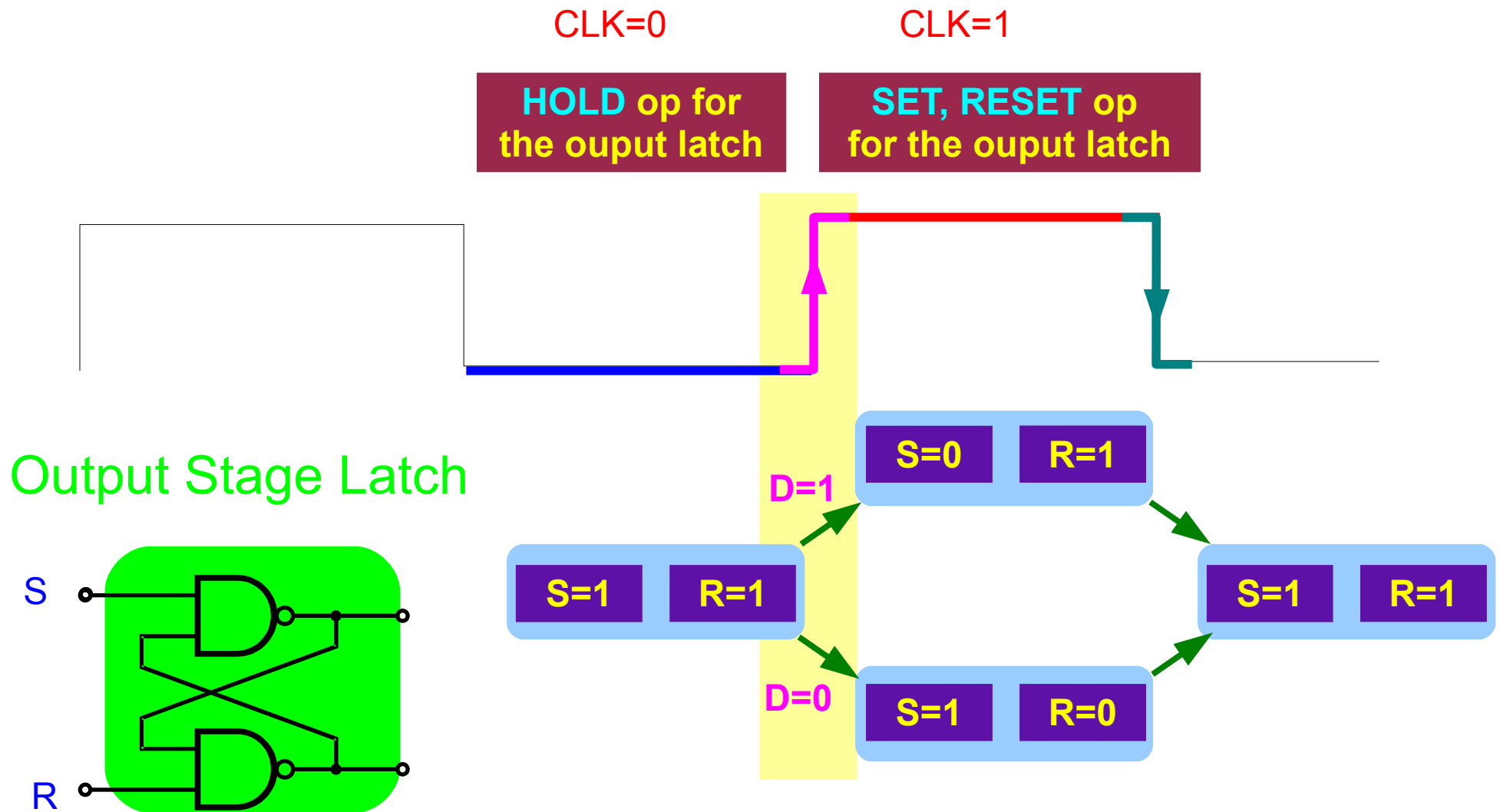


Output Stage Latch

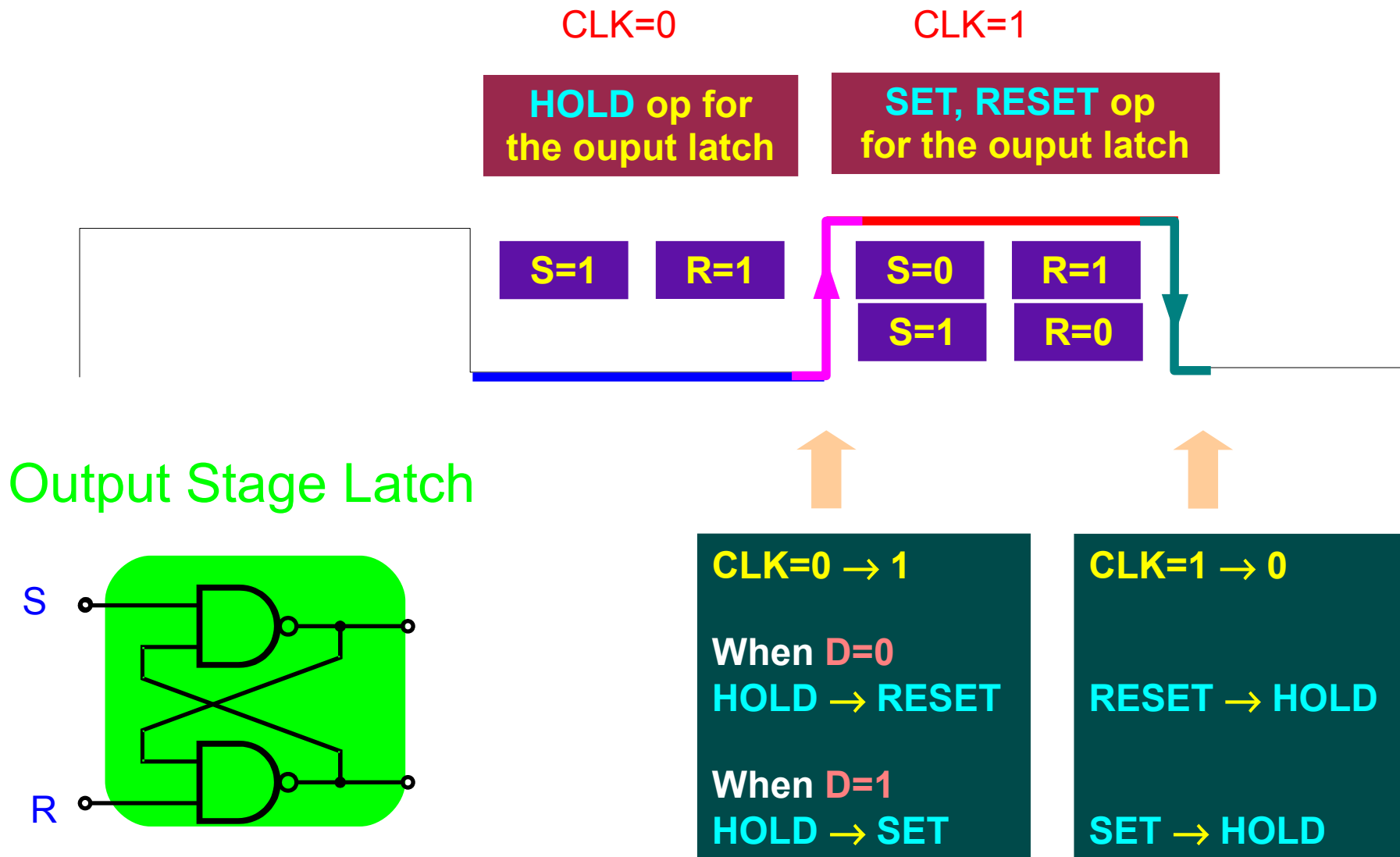
Input Stage Latch



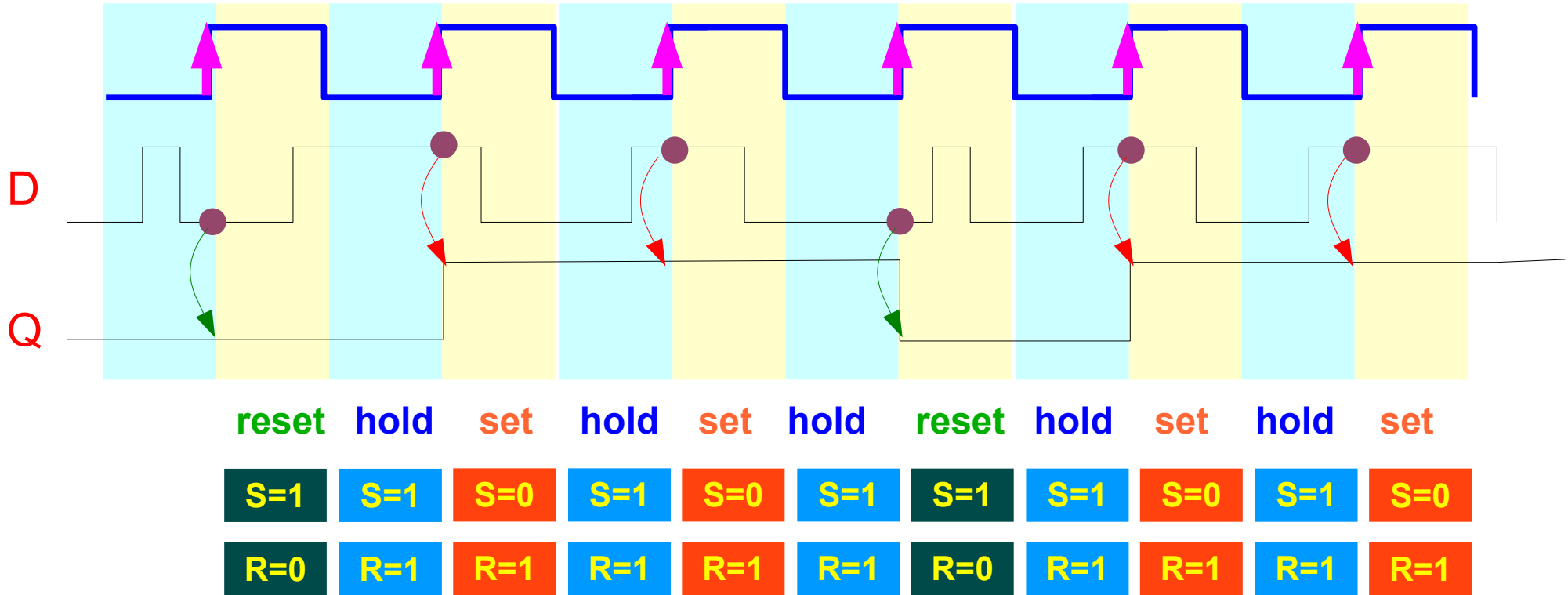
Classical Edge Triggered FF



Classical Edge Triggered FF



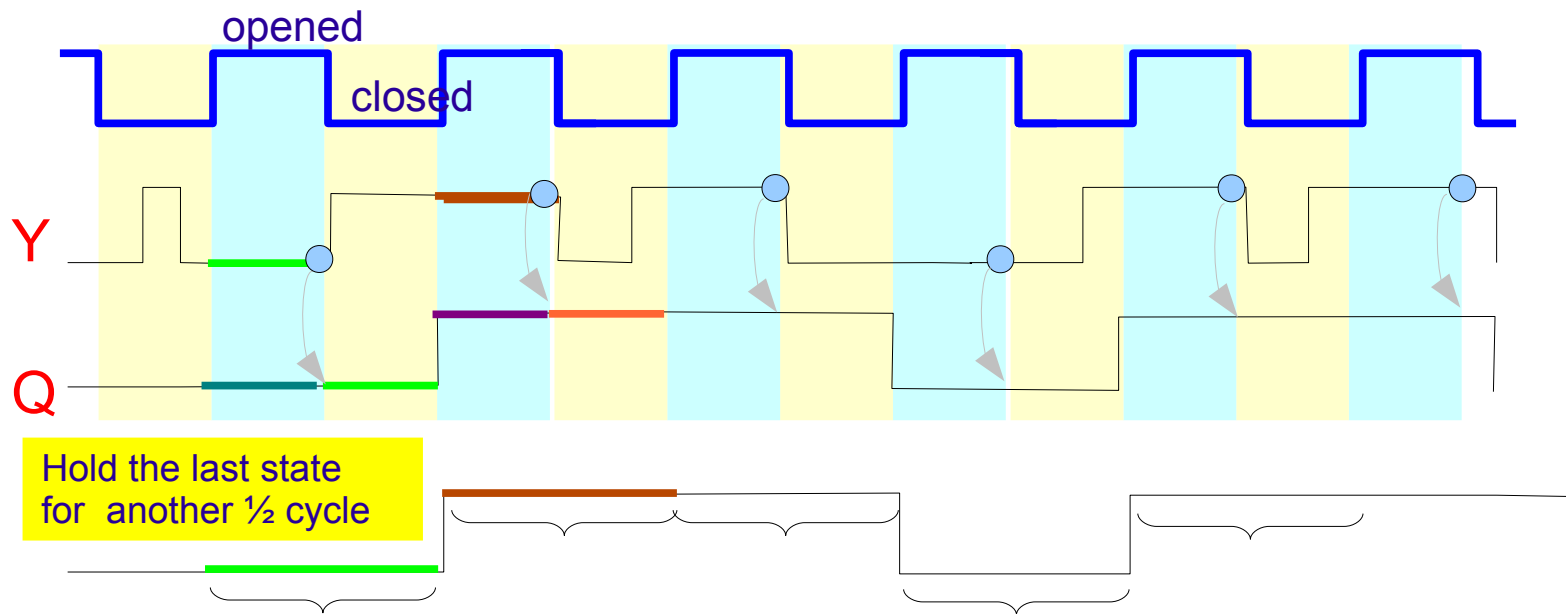
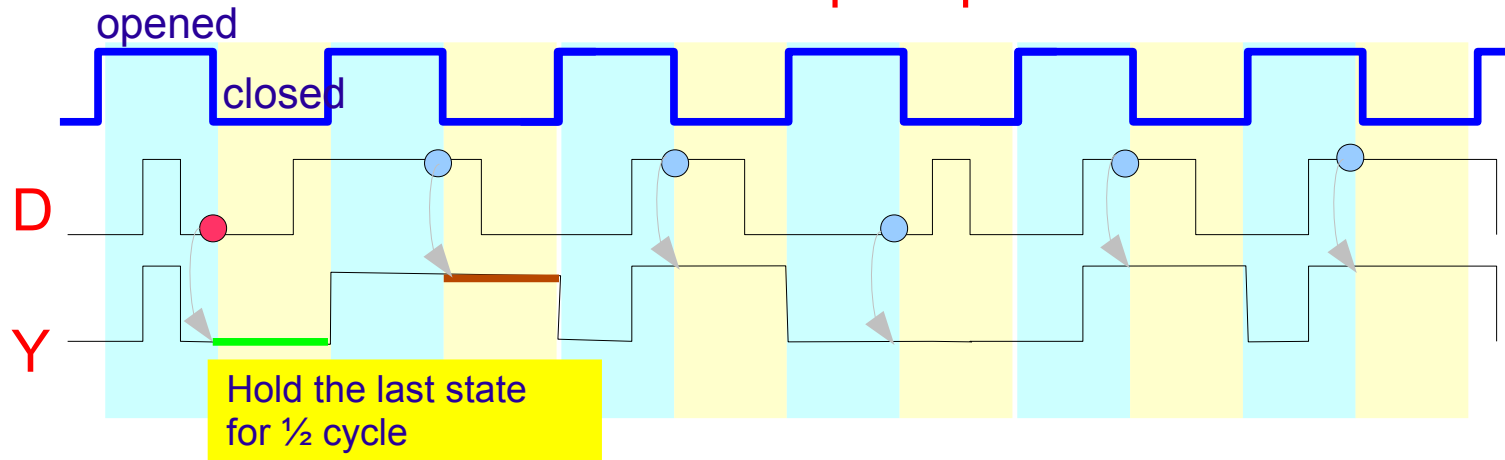
Classical Edge Triggered FF



Master-Slave FF

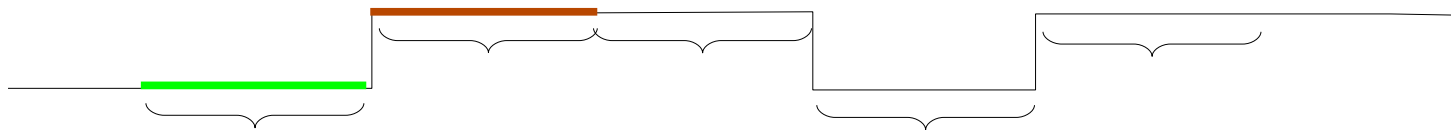
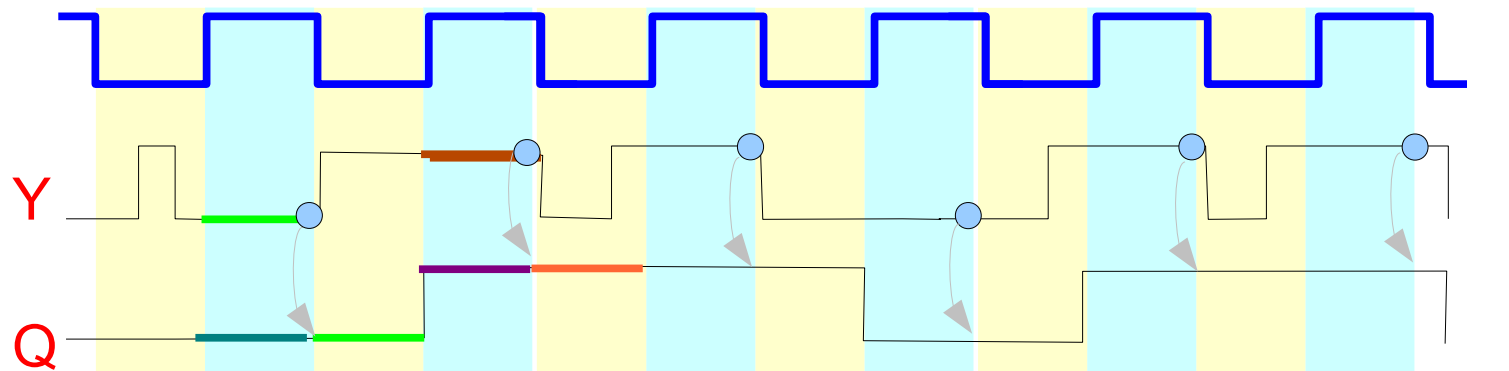
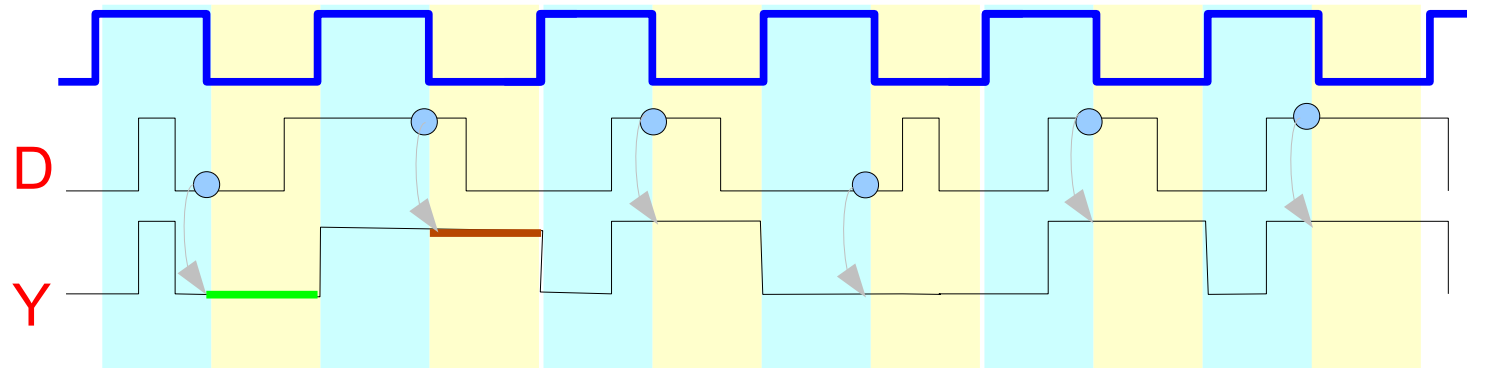
Master-Slave FF

Master Slave D Flip Flop



Master-Slave FF

Master Slave D Flip Flop



Master-Slave FF

Master Slave D Flip Flop

