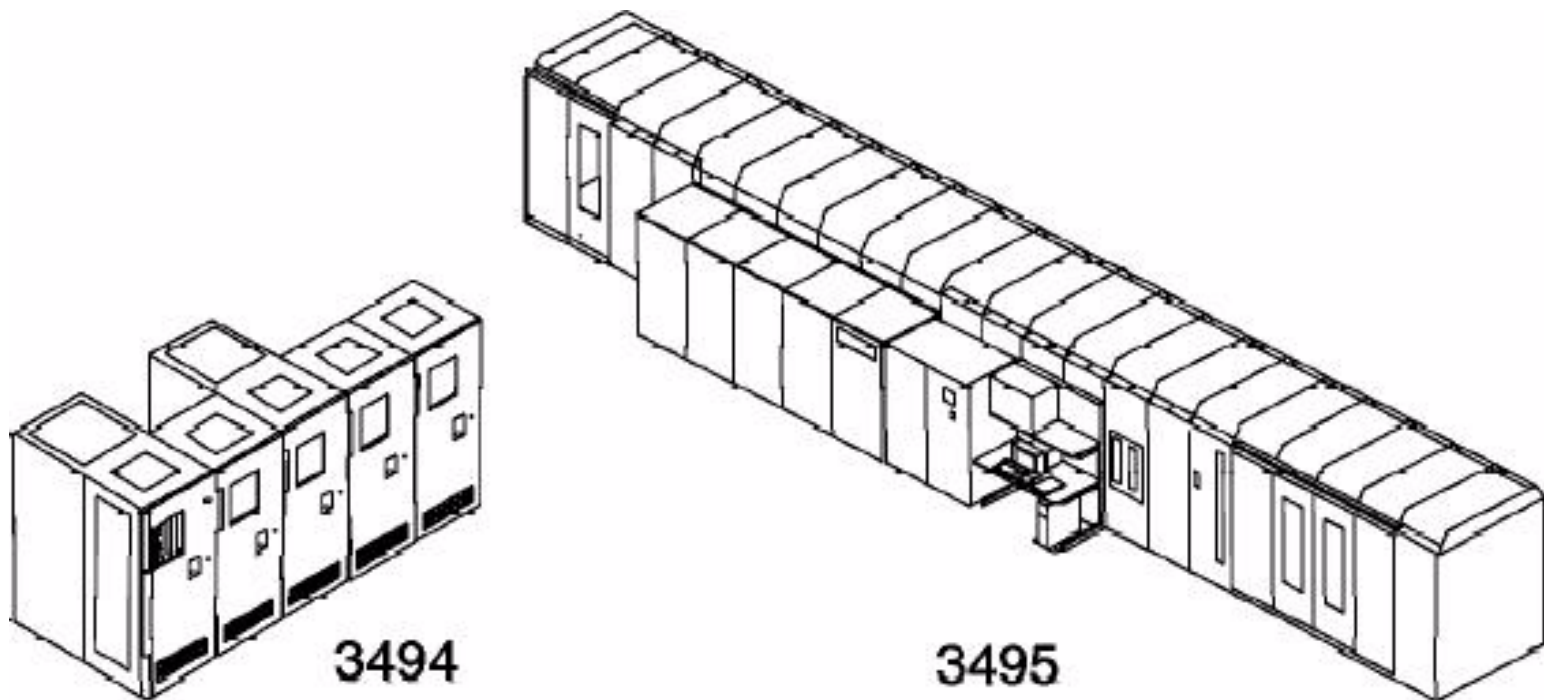


3494 contents manager tool



LIBMANGR



- **What it is used for**
 - **Monitoring 3494 slot usage**
 - **Determining if contents management is needed**
 - **Identifying slot users by OWNER or dsname pattern**
 - **Make room for new users or additional scratches**

- **What it does**
 - **Invokes IDCAMS to read TCDB to get library contents**
 - **Matches volumes to tape management catalog entry to get dsname**
 - **Reports slots used by OWNER, dsname, days since last mounted**
 - **Generates EJECT file for LIBEJECT job**



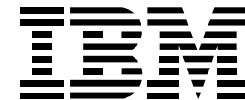
LIBMANGR - Control Params

1SYSCNTL PARAMETERS SPECIFIED FOR THIS EXECUTION

```
EXPIRE=15SEP2005 76605876 ; TOOLS STOP RUNNING AFTER THIS DATE
CUSTOMER= SITENAME REPORTING; <= 1-50 CHARACTER DESCRIPTION
* SCRATCHALSO; SHOW SCRATCH VOLUMES ALSO
*
* USING EDATE ALLOWS YOU TO SEE OLDEST VOLUMES THRU EDATE
*EDATE= 01JAN2004; (ANY DATE) REPORT LAST USED VOLS THRU EDATE
EDATE= TODAY- 90; (MAX 99) REPORT LAST USED VOLS THRU EDATE
* TODAY- 90 SHOWS VOLUMES NOT MOUNTED IN LAST 90 DAYS
*
*INCLIB= LIB2VTS1;
REPORT= DSN; ALL DSNAMEs IN LIBRARY
*GRPDSN= HSM.DMP.MONTHLY.V".D*.T*;
GRPDSN= SYS0*.T*.RA000.".R*;
GRPDSN= SYS0*.T*.RA000."" ;
GRPDSN= ". ". ".** ;
*EXCDSN=EISJSUT.** EXCLUDE THESE DATA SETS FROM REPORT
*EXCDSN=**.HMIGTAPE.** EXCLUDE THESE DATA SETS FROM REPORT
```

□

LIBMANGR - Owner report



1 (C) IBM REPORT=LIBRPT (04292) TCDB VOLUMES/DATA SETS BY OWNER RUN ON 12NOV2004 @ 7:51:38
LIBRARY=LIB2VTS1 SITENAME REPORTING

OWNER	#PRIVATE	#EXPIRED
C084184	0	32
HSM	3033	0
M032518	21	179
STARJOB	408	272
VEZINAW	0	144
VNDR69C	25	162
VNDR69L	7	189
VNDR69M	381	34
Y897797	5	55
TOTAL	3880	1067

LIBMANGR - DSN report



1 (C) IBM REPORT=LIBRPT (04292) TCDB VOLUMES/DATA SETS BY GRPDSN RUN ON 12NOV2004 @ 7:51:38 1
 LIBRARY=LIB2VTS1 SITENAME REPORTING

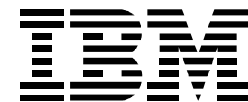
DSNAME	TOTAL	EXPIRED	NUMBER OF DAYS SINCE LAST MOUNTED								
			0-15	16-30	31-45	46-60	61-90	91-120	121-150	151-180	>180
C084184.CMC4.DUMP2.**	1	0	0	0	0	1	0	0	0	0	0
DHAIGHT.SNJEDS3.CDS.**	2	1	0	1	0	0	0	0	0	0	0
DHAIGHT.TAPEA1	39	10	2	7	0	3	5	12	0	0	0
DHAIGHT.TAPEA2	11	0	1	4	1	1	2	2	0	0	0
DHAIGHT.TAPEA3	3	0	0	0	0	2	0	0	1	0	0
DHAIGHT.TAPEA4	1	1	0	0	0	0	0	0	0	0	0
DHAIGHT.TAPEB1	9	1	3	1	0	0	2	2	0	0	0
DHAIGHT.TAPEB2	3	0	0	1	0	0	1	1	0	0	0
DHAIGHT.TAPEC1	5	1	0	2	0	1	0	1	0	0	0
DHAIGHT.TAPED1	5	0	1	0	0	2	2	0	0	0	0
DHAIGHT.TAPE1	11	0	1	0	0	3	1	6	0	0	0
DHAIGHT.TAPE2	9	0	0	2	0	4	0	3	0	0	0
DHAIGHT.TAPE3	5	0	0	0	1	2	0	2	0	0	0
HSM.DMP.MONTHLY.**	2420	504	349	453	7	381	412	297	7	0	10
SORTST1.RDSDBVS6.OUTPUT5.**	11	0	0	2	0	4	3	2	0	0	0
SORTST1.RDSDBVS6.OUTPUT7.**	8	1	0	3	0	1	2	1	0	0	0
SORTST1.REFXS02.OUT.**	19	6	2	3	0	5	0	3	0	0	0
SORTST1.SMFMT1.SORTIN01.**	4	1	0	1	0	0	1	1	0	0	0
SORTST1.SMFMT1.SORTIN02.**	4	1	1	0	0	0	0	2	0	0	0
SORTST1.TEMPOUT	12	0	3	1	0	2	3	3	0	0	0
SORTST1.TEMPOU2	10	0	2	3	0	0	2	3	0	0	0
SORTST1.UN35475.OUTPUT.**	16	3	5	2	0	2	3	1	0	0	0

LIBMANGR - Library report



1 (C) IBM REPORT=LIBRPT (04292) TCDB VOLUMES/DATA SETS BY LAST MOUNTED DATE RUN ON 12NOV2004 @ 7:51:38 92
LIBRARY=LIB2VTS1 SITENAME REPORTING

VOLSER	OWNER	DEVT	MEDIA	LAST_USE	EXP_DATE	STATUS	DSNAME	
4915	V04383	VNDR69M	3490E	MEDIA2	11NOV2004	12NOV2004	PRIVATE	SYS03357.T174803.RA000.UN33205A.TAPEOUT.H04
4916	V04527	VNDR69M	3490E	MEDIA2	11NOV2004	12NOV2004	PRIVATE	SYS04007.T071206.RA000.UP54109.INPUT2.H04
4917	V04531	VNDR69M	3490E	MEDIA2	11NOV2004	12NOV2004	PRIVATE	HSM.DMP.MONTHLY.VHSM031.D03331.T050604
4918	V04751	VNDR69M	3490E	MEDIA2	11NOV2004	12NOV2004	PRIVATE	HSM.DMP.MONTHLY.VHSM026.D03270.T433503
4919	V04755	VNDR69M	3490E	MEDIA2	11NOV2004	12NOV2004	PRIVATE	HSM.DMP.MONTHLY.VBIGV02.D03301.T365000
4920	V04783	VNDR69M	3490E	MEDIA2	11NOV2004	12NOV2004	PRIVATE	HSM.DMP.MONTHLY.VBIG948.D03301.T001002
4921	V04785	VNDR69M	3490E	MEDIA2	11NOV2004	12NOV2004	PRIVATE	HSM.DMP.MONTHLY.VBIGV03.D03301.T202801
4922	V04791	VNDR69M	3490E	MEDIA2	11NOV2004	12NOV2004	PRIVATE	HSM.DMP.MONTHLY.VBIG950.D03301.T331102
4923	V04837	VNDR69M	3490E	MEDIA2	11NOV2004	12NOV2004	PRIVATE	HSM.DMP.MONTHLY.VBIG912.D03299.T494023
4924	V04843	VNDR69M	3490E	MEDIA2	11NOV2004	12NOV2004	PRIVATE	HSM.DMP.MONTHLY.VHSM028.D03270.T274003
4925	V04851	VNDR69M	3490E	MEDIA2	11NOV2004	12NOV2004	PRIVATE	STRGMGT.MVS5.HSM098.G0077V00
4926	V04857	VNDR69M	3490E	MEDIA2	11NOV2004	12NOV2004	PRIVATE	SYS04007.T224741.RA000.RDCONNT3.TAPEIN.H04
4927	V04863	VNDR69M	3490E	MEDIA2	11NOV2004	12NOV2004	PRIVATE	TAPE2
4928	V04977	VNDR69M	3490E	MEDIA2	11NOV2004	12NOV2004	PRIVATE	HSM.DMP.MONTHLY.VLCLR06.D03329.T412600
4929	V04979	VNDR69M	3490E	MEDIA2	11NOV2004	12NOV2004	PRIVATE	HSM.DMP.MONTHLY.VLCLR09.D03329.T240501
4930	V02261	VNDR69M	3490E	MEDIA2	12NOV2004	13NOV2004	PRIVATE	SYS04007.T013454.RA000.RDSDBVS8.OUTPUT5P.H04
4931	V02263	VNDR69M	3490E	MEDIA2	12NOV2004	13NOV2004	PRIVATE	SYS04007.T231019.RA000.RSWORKE2.R0460059
4932	V02271	VNDR69M	3490E	MEDIA2	12NOV2004	13NOV2004	PRIVATE	SYS04007.T013454.RA000.RDSDBVS8.OUTPUT7B.H04
4933	V02277	VNDR69M	3490E	MEDIA2	12NOV2004	13NOV2004	PRIVATE	HSM.DMP.MONTHLY.VBIG954.D03269.T543501
4934	V02279	VNDR69M	3490E	MEDIA2	12NOV2004	13NOV2004	PRIVATE	HSM.DMP.MONTHLY.VHSM918.D03268.T311521
4935	V02285	VNDR69M	3490E	MEDIA2	12NOV2004	13NOV2004	PRIVATE	SYS04007.T200034.RA000.UL24278.SORTIN.H04



LIBMANGR - EJECT list

EV,V05687,B
EV,V05681,B
EV,V04813,B
EV,V04833,B
EV,V04835,B
EV,V04779,B
EV,V05091,B
EV,V05535,B
EV,V03075,B
EV,V05211,B
EV,V05130,B
EV,V05128,B
EV,V04627,B
EV,V04917,B
EV,V05958,B
EV,V05974,B
EV,V04194,B
EV,V05046,B
EV,V05599,B
EV,V04103,B