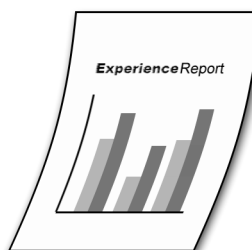


iSeries



Configuring Management Central Connections for Firewall Environments

**Experience
Report**



iSeries



Configuring Management Central Connections for Firewall Environments

Contents

Configuring Management Central Connections for Firewall Environments . v

Chapter 1. Terminology 1

Chapter 2. Management Central Connections 3

C++ Infrastructure	4
CA++ Extensions	5
Java Infrastructure	6
Java Extensions	8
Host Servers	9
Secure Sockets Layer	10
Connection Configurations	11

Chapter 3. Management Central Firewall Quick Reference 13

Chapter 4. Management Central Limitations due to Network Address Translation 15

Network Address Translation (NAT)	15
---	----

Static NAT.	16
Dynamic NAT	16
Management Central Limitations	16

Chapter 5. Graphical Client Protected by a Firewall 17

Warning: Temporary Level 2 Header	18
Firewall that is not using NAT	18
Firewall that uses Static NAT	18
Firewall that uses Dynamic NAT	18

Chapter 6. Central System Protected by a Firewall 19

Firewall that is not using NAT	20
Firewall that uses Static NAT	20
Firewall that uses Dynamic NAT	20

Chapter 7. Endpoint Systems Protected by a Firewall 21

Firewall that is not using NAT	22
Firewall that uses Static NAT	22
Firewall that uses Dynamic NAT	23

Configuring Management Central Connections for Firewall Environments

This report details Management Central connections and the configurations required to enable Management Central to operate within a variety of firewall environments as of v5r3. As a distributed management application, Management Central requires numerous incoming and outgoing TCP/IP socket connections. In contrast, the basic premise of a firewall is to restrict/modify incoming and outgoing connections. To assist in configuring Management Central within a firewall environment, this report discusses the nature and orientation of Management Central connections and the restrictions of specific types of firewalls that limit or disable some Management Central connections. Both Static Network Address Translation (NAT) and Dynamic NAT will be discussed. Three basic firewall environments will be described along with the configuration required to enable Management Central to operate properly within each environment. These basic environments and associated configurations are intended to be used as a guide to enable Management Central in more complex firewall environments.

Terminology

Defines important terms that will be used throughout this report.

Management Central Connections

Describes the different connections that are made between the Graphical Client and the Management Central servers. Groups the applications by those that use each of the connections.

Management Central Firewall Quick Reference

A chart listing the ports that need to be opened in your firewalls in order to get Management Central to work in a simple case (not valid if network address translation is being used).

Management Central Limitations due to Network Address Translation

Describes static and dynamic network address translation and how these types of address translation affect Management Central.

Scenario 1 - Graphical Client Protected by a Firewall

Details configuration required to enable Management Central when the Graphical Client is protected by a firewall from the rest of the network.

Scenario 2 - Central System Protected by a Firewall

Details configuration required to enable Management Central when the Central System and Endpoint System Servers are protected by a common firewall from Graphical Clients and the rest of the network.

Scenario 3 - Endpoint Systems Protected by a Firewall

Details configuration required to enable Management Central when the Endpoint System Servers are protected by a common firewall from the Central System, Source System and the rest of the network.

Chapter 1. Terminology

It is important to clearly define certain key terms. Some terms associated with Management Central and firewalls are ambiguous, so defining them clearly in the beginning is important. These terms are used in this document refer to exactly what is specified in the definition (unless otherwise noted).

Central System (CS)

An iSeries^(TM) system that is used to manage other iSeries systems. The Management Central (MC) Central System sends requests to and receives responses from Management Central (MC) Endpoint Systems to perform tasks and run monitor services. The Management Central data including system, inventory, task and monitor definitions are stored on the Central System iSeries. Each iSeries system is enabled to manage as a MC Central System and to be managed as a MC Endpoint System.

Dynamic Network Address Translation (Dynamic NAT)

Mapping a local IP addresses to the first available in a pool of global IP addresses. Most firewalls have this option, and most let you specify Dynamic NAT, Static NAT, or not to use NAT on a per connection basis. This can also be known as Port Address Translation, PAT, Single Address NAT, Port-level Multiplexed NAT, and Overloading. All of these types will be referred to in this document simply as Dynamic NAT.

Endpoint System (EP)

An iSeries system that is managed by an iSeries Central System. The Management Central (MC) Central System sends requests to and receives responses from Management Central (MC) Endpoint Systems to perform tasks and run monitor services. Each iSeries system is enabled to manage as a MC Central System and to be managed as a MC Endpoint System.

iSeries Host Server

A server that runs on an iSeries and receives and processes requests from iSeries Navigator clients. These host servers have different purposes, and provide much of the single system functionality found in iSeries Navigator (this includes most functions found for a system under the My Connections container).

Management Central (MC)

Management Central is a three tier distributed architecture that hosts a set of iSeries Systems Management applications. Management Central encompasses the C++ and Java^(TM) based class infrastructures implemented within iSeries Navigator Graphical Clients (Operations Navigator in V5R1), iSeries MC Central System Servers and iSeries MC Endpoint System Servers.

Management Central Application

A set of related functions that use the Management Central Infrastructure. For instance, System Monitoring is a Management Central application that provides distributed monitoring of iSeries system level performance metrics with graph views, thresholds and automation primitives. Remote Command is a Management Central application that provides persistent iSeries command definitions, distributed command execution and tracking.

Management Central C++ infrastructure

The MC distributed architecture implemented as a C++ class library that enables a rich set of application build blocks including: communication, persistence, distribution, synchronous and asynchronous processing. The MC C++ infrastructure is available within iSeries Navigator Graphical Clients (Operations Navigator in V5R1), iSeries MC Central System Servers and iSeries MC Endpoint System Servers.

Management Central Java Infrastructure

The MC distributed architecture implemented as a Java class library that enables a rich set of application build blocks including: communication, persistence, distribution, synchronous and

asynchronous processing. The MC Java infrastructure is available within iSeries Navigator Graphical Clients (Operations Navigator in V5R1), iSeries MC Central System Servers and iSeries MC Endpoint System Servers.

Source System (or Model System)

The iSeries system used as a source or model for Management Central application data. For example, Software Distribution selects a Source System from which all Target Systems are to retrieve the items of a package distribution. Compare and Update Fixes selects the Model System that all Target Systems are compared to (and possibly updated from).

Static Network Address Translation (Static NAT)

Mapping one internal IP address to a specific (and unchanging) external IP address. A one-to-one static mapping. Most firewalls have this option, and most let you specify Dynamic NAT, Static NAT, or not to use NAT on a per connection basis.

Target Systems

The iSeries systems that are the destinations or receivers for Management Central application data or action. For example, the system or systems used as the target for Compare and Update of Fixes (or other similar task). These are the systems that are compared to the Source System (or Model System) and updated if necessary.

Chapter 2. Management Central Connections

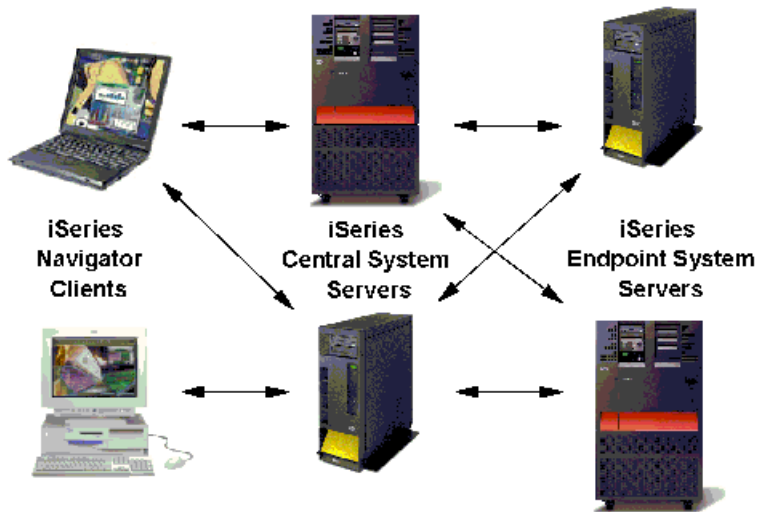


Figure 1. Overview of Management Central connections

The following section provides an overview of Management Central connections with respect to infrastructure, applications, secure sockets, and connection configurations.

Management Central is a three-tier architecture that enables multi-system management from iSeries^(TM) Navigator Graphical Clients (Operations Navigator in V5R1) through a Central System iSeries. The Management Central architecture is composed of two distinct, yet similar, distributed infrastructures: one implemented in C++ and the other implemented in Java^(TM). Starting in V5R3, the C++ infrastructure is being phased out and replaced with the Java infrastructure. On the graphical clients, the C++ and Java infrastructures inter-operate within the iSeries Navigator processes. On the iSeries servers, the Management Central C++ and Java infrastructures operate independently within two distinct, long-running daemons jobs: C++ within QYPSSRV and Java within QYPSJSVR. Starting in V5R3 there is only the QYPSJSVR job, and it supports the functions that the QYPSSRV job supported in V5R2 and before. The characteristics and restrictions of the TCP/IP connections established by the Management Central C++ and Java infrastructure implementations are unique. Therefore the Management Central applications enabled by each infrastructure are subject to those same characteristics and restrictions.

It isn't always easy to determine what ports are being used for each MC application on each system, due to Management Central using two infrastructures and servers in V5R2 and previous releases, and now in V5R3 switching to just the Java server in V5R3. The following sections describe in detail what ports are being used for each MC application, however if you are planning on using quite a few MC applications or if you don't mind opening up all the MC ports even if one or two might not be used, then you can just read quickly through this section. You can just make note of the ports being used and the other properties that might need to be set, and not worry about what specific applications use what ports or properties.

C++ Infrastructure

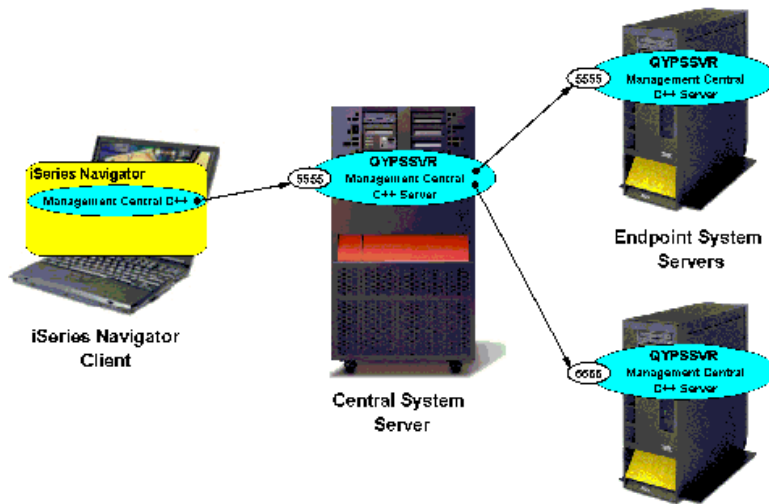


Figure 2. C++ infrastructure connections for Management Central

The above diagram depicts the ports and connections established by the C++ infrastructure introduced in the initial V4R3 Management Central offering. The C++ infrastructure implementation creates a point to point TCP/IP socket from each Graphical Client to the Central System server (QYPSSRV) as well as from the Central System server to each Endpoint System server (QYPSSRV). Packets are received and sent bi-directionally on the single socket connection between any two systems. The port number for incoming connections to the C++ server will default to 5555 and is configurable on each iSeries server through Service Table Entries (See Connection Configuration). The C++ infrastructure does not ever attempt to establish a connection from an iSeries server to a Graphical Client.

In V5R3 the C++ server (QYPSSRV) no longer exists and the QYPSJSVR job is taking over the work that used to be done by QYPSSRV. So, in V5R3 the QUAFFS will be listening for incoming connections on port 5555 (as well as on 5544 as it always has). C++ servers running on v5r1 and V5R2 systems will connect to Java servers (QYPSJSVR) on V5R3 systems using port 5555. The diagram above shows a C++ server on each iSeries, but in V5R3 these servers are replaced by the QYPSJSVR which will now be listening on port 5555.

As of V5R2, the C++ Management Central infrastructure enables the following applications:

- System Monitors
- Graph History
- Collection Services
- Inventory
- Users and Groups (except Send User)
- Run Command
- Install Products
- Fixes (except Send Fixes)

On V5R3 systems, these applications are being run using the Management Central Java infrastructure (which is described in a later section). So, when these applications run between V5R3 systems they will communicate using the Java infrastructure port, and when these applications run between V5R2 systems (or between a V5R2 system and a V5R3 system) they will use the CA++ Infrastructure port.

CA++ Extensions

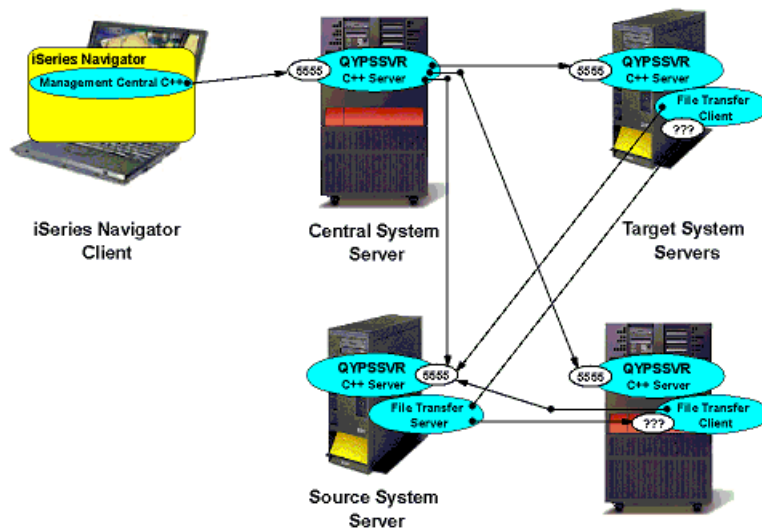


Figure 3. Connections for Management Central CA++ extensions

The CA++ infrastructure on the iSeries servers offers a file transfer function (BAD - Bulk Data Transfer) between a source and multiple target iSeries servers. The file transfer function is implemented as a transfer client job on each target server and a transfer server job on the source server. The above diagram depicts the extension of CA++ infrastructure ports and connections with the ports and connections established by the file transfer functionality introduced in the VA Management Central offering. In addition to the Graphical Client to the Central System server and the Central System server to each Endpoint System server connections, a shortwave point to point TC/IP socket connection is established from a file transfer client on each Target System to the Source System server (QUIPS). The file transfer client determines and communicates its call-back IP address and port number to the file transfer server on this short-lived socket connection. The file transfer client determines its call-back IP address through `getHostName` and `getHostByName` calls.

The Target System host name is configurable on each iSeries server through the `QYPS_HOSTNAME` property (See Connection Configuration). Subsequently, a TCP/IP socket call-back connection is established from an associated file transfer server on the Source System to the file transfer client on each Target System. As with the C++ infrastructure, the port number for incoming connections into the Source System server (QYPSSRV) will default to 5555. The port number of the file transfer call-back connection by default will be greater than 1024 and chosen at random on the Target System. On V5R2 and greater systems, a range of port numbers for the file transfer call-back connection can be configured on each server through the Management Central configuration properties (See Connection Configuration).

As of V5R2, the following Management Central applications enabled by the V5R2++ infrastructure also leverage the C++ file transfer functionality:

- Package Distribution
- Send Products
- Send User
- Send Fixes

As mentioned in the C++ Infrastructure section above, in V5R3 the Java server is taking over for the C++ server and the QYPSSRV job doesn't exist. So, on V5R3 systems the above applications are being run using the Management Central Java infrastructure and the Management Central Java extensions (which are described in later sections. This means that when these applications run between V5R3 systems, they will communicate using the Java infrastructure and Java extension ports, and when these applications run between V5R2 systems (or between a V5R2 system and a V5R3 system), they will use the C++ Infrastructure and C++ extension ports.

Java Infrastructure

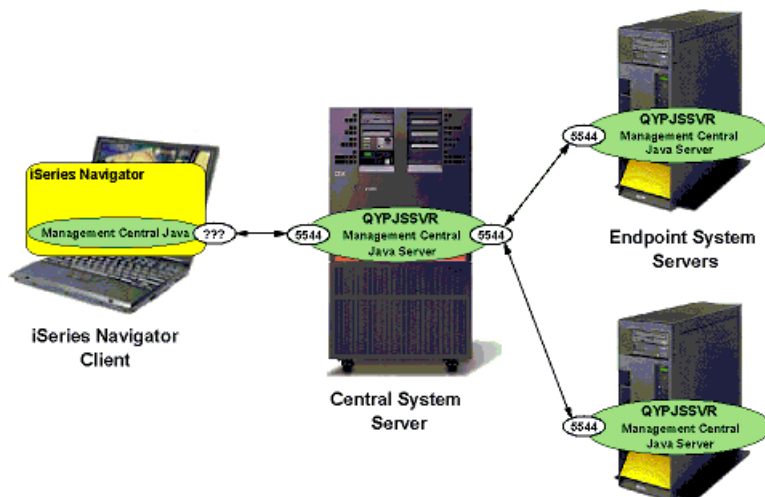


Figure 4. Java infrastructure connections for Management Central

The above diagram depicts the ports and connections established by the Java infrastructure introduced in the V5R1 Management Central offering. The Java infrastructure leverages Java Remote Method Invocation (RMI) technology to establish connections between Graphical Clients and iSeries servers (QYPJSSVR). RMI establishes and maintains TCP/IP socket connections and flows RMI marshalled data between systems. A side effect of the RMI functionality (Remote Objects/References) frequently leveraged by the Java Infrastructure, requires TCP/IP sockets to be established in both directions between each system. RMI produces marshalled data for each Remote Reference that contains call-back host name and port number. This marshalled data (including the host name and port number) is within the RMI protocol and is not available for dynamic translation. Each system determines its host name through the `getHostName` call. The host name is configurable on each iSeries Navigator Graphical Client and each iSeries server through the `QYPS_HOSTNAME` property (See Connection Configuration).

The host name and port number in the marshalled data is used by other systems to contact back to this system. The port number for incoming connections to the Java server (QYPJSSVR) will default to 5544

and is configurable on each iSeries server through Service Table Entries (See Connection Configuration). The port number for incoming Java infrastructure connections to the Graphical Client by default will be chosen at random on the client system and is configurable on each client through a properties file (See Connection Configuration). The host name in the marshalled data (which can be either an actual host name or an IP address) represents the address that other systems will use to contact this system. This host name will default to the IP address that the host recognizes as its own and is configurable on each iSeries server and Graphical Client through the QYPS_HOSTNAME property (See Connection Configuration).

The Java infrastructure was introduced in the V5R1 Management Central offering and as of V5R3 enables the following applications:

- System Values Compare and Update
- Synchronize Date and Time
- Synchronize Functions
- Job Monitor
- Message Monitor
- File Monitor
- B2B Monitors
- BRMS tasks
- Schedule LPAR resource moves

The following applications use the Java infrastructure on V5R3 systems, but use the C++ infrastructure on V5R2 and earlier systems (see the C++ infrastructure section for details):

- System Monitors
- Graph History
- Collection Services
- Inventory
- Users and Groups (except Send User)
- Run Command
- Install Products
- Fixes (except Send Fixes)

As shown in figure 4a below, the Synchronize Date and Time application makes additional connections not shown in figure 4 above. The Java server on the target systems in Synchronize Date and Time all make a connection to the Java server on the model system, and the model system in turn makes a connection back to the Java server on each target system.

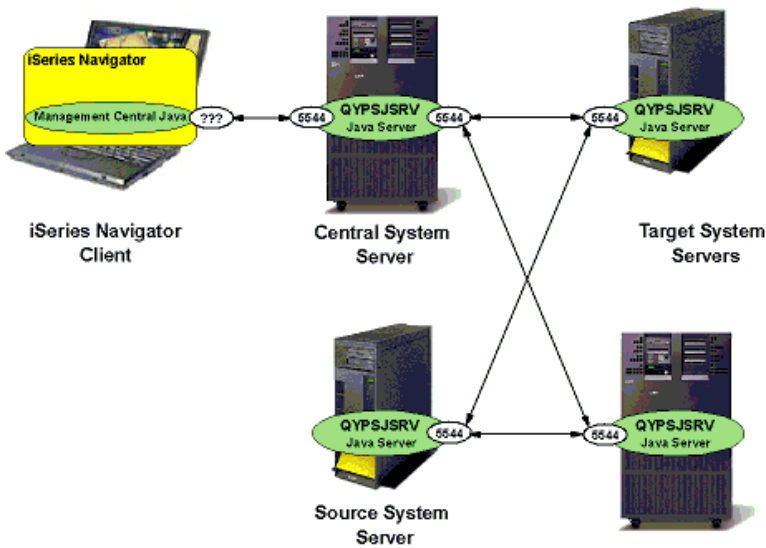


Figure 4a. Synchronize date and time connections for Management Central

Also, the Synchronize Functions application treats its model system just like another endpoint, meaning that the Java server on the CS contacts the Java server on the model system, and the Java server on the model system contacts the Java server on the CS.

Java Extensions

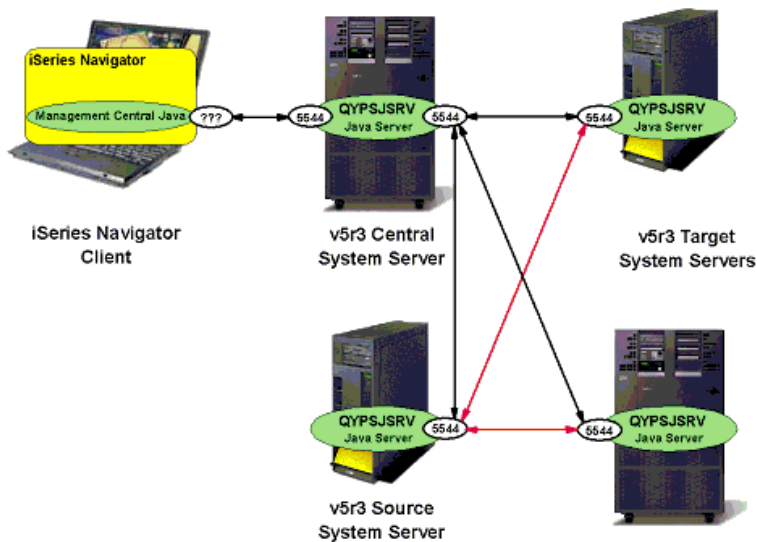


Figure 5. Connections for Java extensions for Management Central (BDT connections in Red)

The Java infrastructure in V5R3 added a file transfer function (BDT - Bulk Data Transfer) between a source and multiple target iSeries servers. This BDT function serves the same purpose as the BDT function in C++ (see the C++ Extensions section above), however it is implemented in a different way. The Java file transfer function uses the Java infrastructure port in order to accomplish the file transfer, but is only available between V5R3 and higher source systems and V5R3 and higher target systems, since this feature is new in V5R3. To accomplish file transfer between a source and a target system where one (or both) of the systems is at V5R2 or earlier, the C++ file transfer function and its associated ports are used.

Figure 5 above shows the connections used for Java BDT between a V5R3 source system and V5R3 target systems. Note that when using a V5R3 source and a V5R3 target system, the Bulk Data Transfer uses connections initiated on port 5544 which means the range of port numbers mentioned in the C++ Extensions section above isn't being used. If either the source or the target is an earlier release than V5R3 however, this range of ports is used (since the C++ Extensions ports are being used).

As of V5R3, the following Management Central applications now use the Java infrastructure and also leverage the Java file transfer functionality.

- Package Distribution
- Send Products
- Send User
- Send Fixes

Note that these applications use the Java file transfer functionality when only V5R3 and higher systems are involved. Communications that include at least one V5R2 or earlier system still use the C++ file transfer functionality (see the C++ extensions section for details).

Host Servers

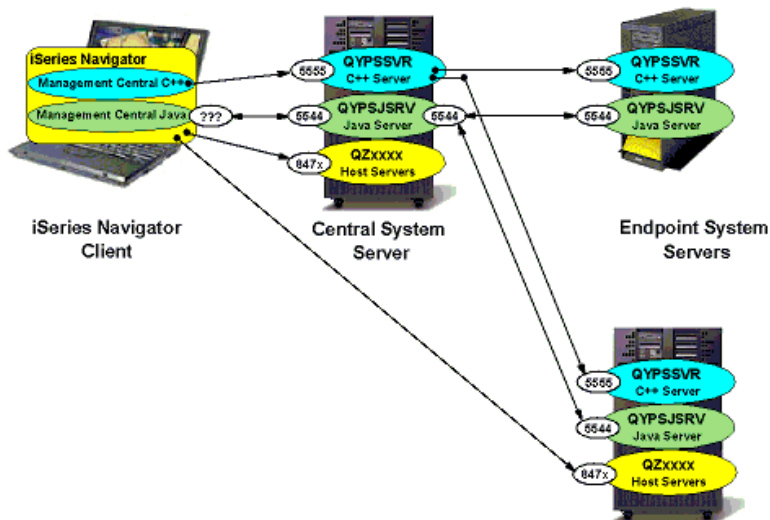


Figure 6. Connections for host servers used by Management Central

Within an iSeries Navigator Graphical Client, Management Central distributed applications are intermingled with single-system iSeries Navigator functions. These single-system Navigator functions

establish point to point TCP/IP socket connections to a set of iSeries Host Servers. The point to point socket connections to these iSeries Host Servers are shared between applications within each iSeries Navigator client. Several Management Central application implementations leverage these shared Host Server connections on the Graphical Client to interact with the Central System. A few Management Central applications leverage these connections to interact directly with Endpoint Systems as well. For example, System Values Compare and Update contacts the Model System directly from iSeries Navigator Graphical Client to retrieve System Values from the model system. The Information urls: <http://publib.boulder.ibm.com/series/V5R3/ic2924/index.htm?info/rzaii/rzaiihstsvrbyfnctn.htm> and <http://publib.boulder.ibm.com/series/V5R3/ic2924/index.htm?info/rzaii/rzaiicahstsvr.htm> document the iSeries Host Servers and the functions they provide to client applications. To get a list of the port numbers used by each iSeries Host Server, go to url: <http://www-1.ibm.com/servers/eserver/series/access/caixe1.htm> and select APAR II12227. The port numbers utilized by the iSeries Host Servers typically leveraged by Management Central range from 8470 to 8476 for non-SSL connections and 9470 to 9476 for SSL connections.

Secure Sockets Layer

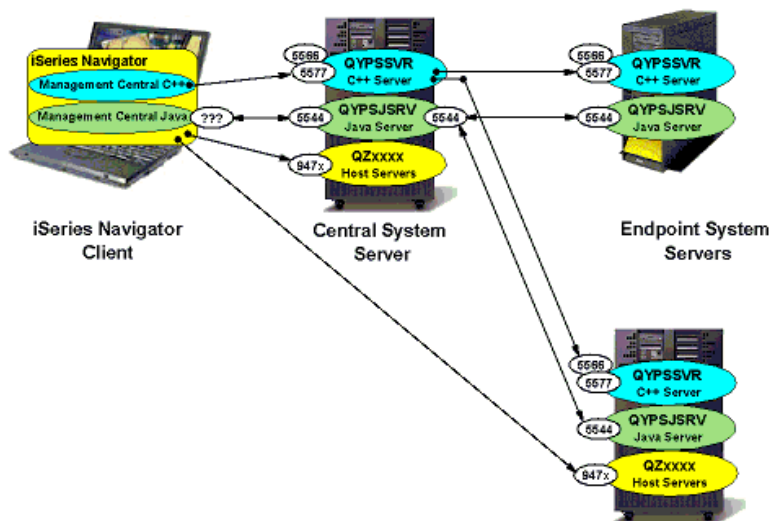


Figure 7. Management Central SSL connections

If all of your Graphical Clients, Central Systems and Endpoint Systems aren't in the same Local Area Network (for instance if you use Operations Navigator from home to manage your iSeries systems at work), Management Central requests to and from your systems are flowing over networks that are outside of your control. There is a chance that this data could be intercepted, and the best way to protect that data is by using SSL (Secure Sockets Layer). Management Central is enabled to leverage SSL connections to provide additional security through data encryption and certificate validation. Configuration of SSL and Management Central usage of SSL across a set of iSeries servers and iSeries Navigator clients can be a formidable challenge.

The IBM Information Center url:

<http://publib.boulder.ibm.com/series/V5R3/ic2924/index.htm?info/rzain/rzainoverview.htm> fully documents SSL configuration for iSeries Navigator and Management Central (choose the "Plan for SSL

enablement”, and then the “Secure applications with SSL -> Management Central” links). Once Management Central is configured for SSL and SSL is enabled, Server Authentication within the C++ infrastructure will utilize port number 5566 and Client/Server Authentication within the C++ infrastructure will use port number 5577.

When SSL is enabled the only impact to Management Central connections and port numbers in that the 5555 port number in the above C++ infrastructure connection diagrams would be replaced with 5566 and/or 5577 depending on selected authentication. The Java infrastructure continues to use port number 5544 regardless of SSL enablement or selected authentication. Each of these port numbers configurable through the Management Central configuration properties (See Connection Configuration).

When the iSeries Host Servers typically leveraged by Management Central applications are configured for SSL, the port numbers utilized by those Host Servers range from 9470 to 9476.

Connection Configurations

Several Management Central connection characteristics of each Server and each iSeries Navigator client are configurable. The following provides a list of Management Central connection characteristics with the configuration mechanism and default value/behavior.

Server Configuration with Service Table Entries (All releases) - WRKSRVTBLE

<i>Connection Characteristic</i>	<i>Configuration Mechanism</i>	<i>Default value</i>
Java Server port	Service "as-mgtctrlj - Protocol "tcp"	5544
C++ Server Non-SSL port (used by Java server in V5R3)	Service "as-mgtctrl' - Protocol "tcp"	5555
C++ SSL Server Validation port (used by Java server in V5R3)	Service "as-mgtctrl-ss' - Protocol "tcp"	5566
C++ SSL Clt/Svr Validation port (used by Java server in V5R3)	Service "as-mgtctrl-cs' - Protocol "tcp"	5577

Server Configuration with system level environment variables (V5R2 only)- WRKENVVAR LEVEL(*SYS)

<i>Connection Characteristic</i>	<i>Configuration Mechanism</i>	<i>Default value</i>
File Transfer port range	Variable "QYPS_MINIMUM_PORT"	1024
File Transfer port range	Variable "QYPS_MAXIMUM_PORT"	32768

Server Configuration in file "/QIBM/UserData/OS400/MGTC/config/McConfig.properties" (V5R1 and V5R2 only):

<i>Connection Characteristic</i>	<i>Configuration Mechanism</i>	<i>Default value</i>
Java Server host name	Property "QYPS_HOSTNAME=xxxx"	IP address/Host Name

Server Configuration in file "/QIBM/UserData/OS400/MGTC/config/McEPCConfig.properties" (V5R3 only)

<i>Connection Characteristic</i>	<i>Configuration Mechanism</i>	<i>Default value</i>
File Transfer port range	Property "QYPS_MINIMUM_PORT"	1024
File Transfer port range	Property "QYPS_MAXIMUM_PORT"	32768
Java Server host name	Property "QYPS_HOSTNAME=xxxx"	IP address/Host Name

Client Configuration in file (All releases): C:\MgmtCtrl.properties

<i>Connection Characteristic</i>	<i>Configuration Mechanism</i>	<i>Default value</i>
Java Client host name	Property ";QYPS_HOSTNAME=xxxx"	IP address/Host Name
Java Client port	Property "QYPSJ_LOCAL_PORT=xxxx"	random

Note: The port numbers used by the iSeries Host Servers can also be configured on each iSeries Server through associated Service Table Entries.

Chapter 3. Management Central Firewall Quick Reference

The following section provides a quick reference for setting up Management Central to work through a firewall. This chart is only valid if Management Central and your network configuration are set up in the following way:

- The firewalls involved don't use Network Address Translation.
- QYPSJ_LOCAL_PORT=5544 is set on your Graphical Client's MgmtCtrl.properties file. To set this property so that 5544 is used, create a text file on your PC at C:\MgmtCtrl.properties (if it isn't there already) and add the line QYPSJ_LOCAL_PORT=5544
- The as-mgtctrl service table entry is set to 5555 (if SSL is on, as-mgtctrl-ss is 5566 and as-mgtctrl-cs is 5577) and as-mgtctrlj is set to 5544 on all your iSeries^(TM) systems. These are the default settings, to check if they've been changed use WRKSRVTBLE.

NOTE: If SSL is enabled, then the ports in parenthesis also need to be opened

Application Type	Applications	Ports to open on Graphical Client firewall	Ports to open on Central System firewall	Ports to open on Source System firewall if source system is used	Ports to open on Endpoint System firewall
Java ^(TM) Infrastructure	- Job Monitor - Message Monitor - File Monitor - B2B Monitor - BRMS Task - Synchronize Functions (uses source system)	5544	5544 5555 (5566, 5577) 8470 - 8476*	5544	5544
	- Scheduled LPAR Resource Moves	5544	5544 5555 (5566, 5577) 8470 - 8476*	N/A	5544**
	- Synchronize Date and Time	5544	5544 5555 (5566, 5577) 8470 - 8476*	5544	5544
	- System Values Compare and Update	5544	5544 5555 (5566, 5577) 8470 - 8476*	8470 - 8476*	5544
C++ Infrastructure (Java Infrastructure in V5R3)	- System Monitors - Graph History - Collection Services - Inventory - Users and Groups (except send user) - Run Command - Install Products - Fixes (except Install Fixes)	N/A	5544 5555 (5566, 5577) 8470 - 8476*	N/A	5544 - only on V5R3 systems 5555 (5566, 5577)

C++ Extensions (Java Extensions in V5R3)	- Package Distribution - Send Products - Send User - Send Fixes	N/A	5544 5555 (5566, 5577) 8470 - 8476*	5544 - only on V5R3 systems 5555 (5566, 5577)	5544 - only on V5R3 systems 5555, (5566, 5577), range of ports for the File Transfer Client***
--	---	-----	---	---	---

* 8470 - 8476 is the range of ports that the host servers use. Each Management Central application uses a different subset of these ports. If SSL is being used for Management Central, then ports 9470 - 9476 should be opened instead.

** For scheduled LPAR resource moves, the primary partition is the one and only endpoint system.

*** Specifying QYPS_MINIMUM_PORT and QYPS_MAXIMUM_PORT:

- For V5R2 target systems, system level environment variables QYPS_MINIMUM_PORT and QYPS_MAXIMUM_PORT can be specified on each target system to set the range of ports used by the File Transfer Client.
- For V5R3 target systems, QYPS_MINIMUM_PORT and QYPS_MAXIMUM_PORT can be specified in the /QIBM/UserData/OS400/MGTC/config/McEPConfig.properties file
- For V5R1 target systems, this range is 1024 - 32,768 and can not be changed.

See Management Central Connections for more information.

Chapter 4. Management Central Limitations due to Network Address Translation

Firewalls, by definition, restrict the types of connections that can be made to a given system or set of systems. Sometimes in order for distributed applications to work, the firewall configuration and/or the application configuration need to be altered. Sometimes there are no configuration changes that will allow that application to work (short of disabling or removing the firewall completely). This section discusses firewalls that use Network Address Translation and the restrictions they can cause on distributed applications such as Management Central.

Network Address Translation (NAT)

Many firewalls can be configured use Network Address Translation (NAT). To do this an administrator sets up rules where some or all of the requests that come in to and go out from the protected systems are altered by changing the IP address they are going to or coming from. There are many types of Network Address Translation, but there are two main categories: Dynamic NAT and Static NAT. As a general rule (with a few exceptions), most of Management Central can be configured to work with Static NAT, but can not be configured to work with Dynamic NAT.

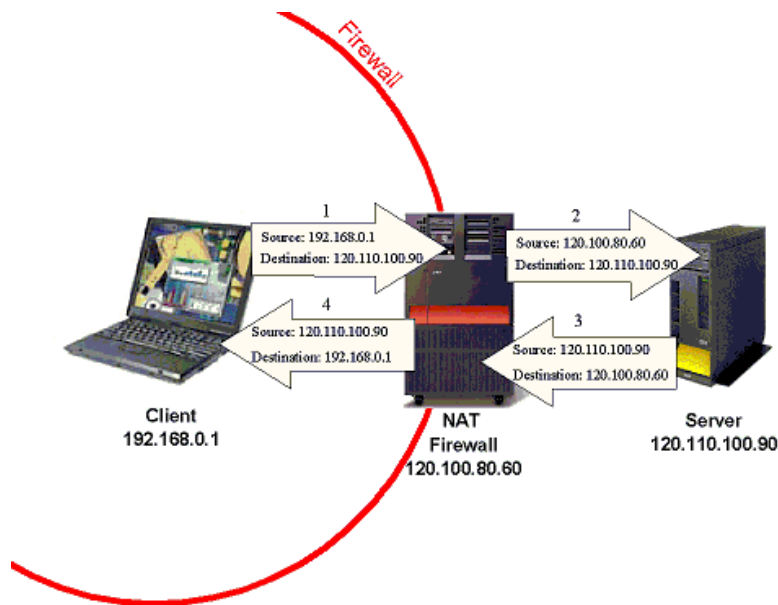


Figure 8. Network Address Translation

Once case where NAT can be used is illustrated above. When a system behind the firewall initiates a connection with a system outside the firewall (step 1 in the above diagram), the firewall takes that request and replaces the source IP address of the packet (the IP address the packet is coming from) with the external IP address of the firewall (2). This way any response related to this request will be sent to the firewall. When the response comes back on that same connection (3), it comes to the firewall (since in the outgoing request the firewall replaced the source IP address with the firewall's external address). The firewall receives this response, verifies that it is a response that should be allowed through, and forwards it on (4) to the correct internal system (by changing the destination IP address).

As shown above, as long as the internal system initiates the connection, the system outside of the firewall can communicate with the internal system using that connection. This is true for both static and dynamic

NAT. The difference between static and dynamic NAT is that static NAT makes it possible for external systems to initiate connections with systems inside the firewall but dynamic NAT does not.

Static NAT

With static NAT, there is a table that maps internal IP addresses to external IP addresses. If a request was being sent from a system inside the firewall with internal IP address 192.168.0.1, the firewall would look up that internal address in the table to find out what external address should be used to replace it. Then, when a response comes back to that external IP address, the firewall uses that table again to see what internal system is associated with that external IP. This table is static (meaning an internal system's external IP address will always be the same). This means that systems outside the firewall are able to initiate a connection to that internal system as long as that external system knew the internal system's external IP address.

Dynamic NAT

With dynamic NAT, the firewall dynamically determines what external IP address to give to an outgoing request. It could be that all requests get the same external IP address, or they could each get the next available one in a pool of external IP addresses. Since there isn't a static table, at one point the internal system could have an external address of 120.110.100.95 and the next time could have an external address of 120.110.90.85. Each time the firewall replaces an internal IP address with an external address, it makes a record of this so that when a response comes back on the same connection, the firewall will be able to route that response to the correct internal IP address.

This way of distributing external IP addresses results in systems outside the firewall not being able to initiate a connection to an internal system, (since there is no way for an external system to determine what external IP address to use). The only way a system outside the firewall can talk to a system inside the firewall is to respond to a request that was initiated by the system inside the firewall.

Management Central Limitations

Any distributed applications (including Management Central applications) that need to initiate a connection from an external system to a system inside a firewall won't work with dynamic NAT. For information about using Management Central with a specific Dynamic NAT setup refer to the previous Management Central Connections section to determine what Management Central applications use what connections (PC to CS, CS to PC, CS to EP, EP to CS, etc). Use that information along with information about what systems and connections are using Dynamic NAT to figure out what applications will and won't work..

Distributed applications (including Management Central applications) that need to establish a connection from an external system to a system behind a firewall should work with Static NAT. However, many times these applications have to be specially configured so that the external system trying to establish a connection with the system behind the firewall uses that internal system's external IP address. For Management Central, if a system (iSeriesTM or PC) is inside a firewall that is using Static NAT, that system needs to set its own QYPS_HOSTNAME property to its external IP address. Or, if that system will have systems both inside and outside the firewall connecting to it, it needs to set its own QYPS_HOSTNAME to a hostname that will resolve to its internal IP address on internal systems, and to its external IP address on external systems. The Management Central Connections section describes how to set this QYPS_HOSTNAME property (setting this property is different depending on what release your system is at).

Chapter 5. Graphical Client Protected by a Firewall

Management Central Graphical clients that are also used to connect directly to the Internet are often protected by a firewall. Software and/or hardware firewalls are becoming common in homes with high speed internet access. Without special configuration this simple firewall environment can restrict Management Central functionality.

Objectives

Detail Management Central configuration required within a common firewall environment where the Graphical Client is protected by a firewall.

Details

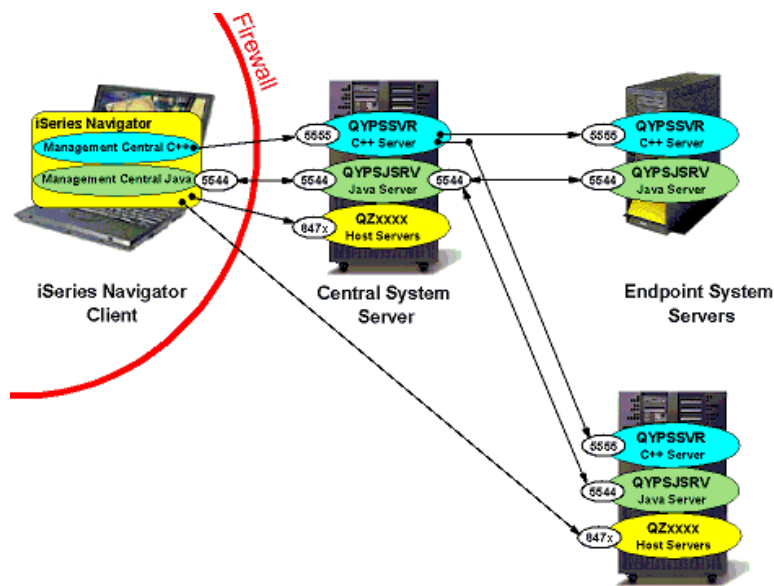


Figure 9. Graphical Client protected by a firewall

Here are some important things to note about the diagram above:

- The Central System to Endpoint Systems communications are not affected since they are all outside the firewall. If there were additional firewalls between the Central System and Endpoints see scenario three, or refer to the Management Central Connections section for information on configuring those connections.
- In this diagram the C++ server is shown, but on v5r3 systems the C++ server does not exist and the Java server instead listens on port 5555
- The Graphical Client connections to the Management Central C++ Server on port 5555 (or Java server in v5r3) and Java^(TM) Server on port 5544 on the iSeries^(TM) Central System are able to connect out through the firewall without addition configuration on ports 5544 and 5555.
- The Graphical Client connections to the Host Servers on the iSeries Central System are able to connect out through the firewall without addition configuration.
- By default a random port is selected for the connection that goes from the Java Server on the Central System to the Graphical Client. For this scenario, a single port needs to be set in the Management

Central PC's properties file (see Connection Configurations) so that a random port isn't used to connect from the CS back to the Graphical Client (in the diagram we've picked 5544, but another port can be used). See the instructions below for more information about this.

- If SSL is being used, ports 5566 and 5577 will need to be included with 5555 throughout this document.

The steps to configure Management Central are slightly different depending on how the firewall is configured to use NAT.

Warning: Temporary Level 2 Header

Firewall that is not using NAT

- Set the port used to connect from the Central System to the Graphical Client to a specific port as described in bullet four above and as shown in the diagram (see the Management Central Connections section for details).
- Configure the firewall to open the specific port so traffic from the Central System can get to the Graphical Client.

Firewall that uses Static NAT

- Follow the instructions (above) for a firewall that is not using NAT.
- Set the QYPS_HOSTNAME property on the Graphical Client (see the Management Central Connections section) to the external IP address of this Graphical Client (the IP address used by systems outside of the firewall to contact this Graphical Client).

Firewall that uses Dynamic NAT

If the firewall protecting the Graphical Client is using Dynamic NAT, the Central System won't be able to contact back to the Graphical Client. This will prevent all MC applications that use the Java Infrastructure from working. Applications that don't use the Java Infrastructure (including applications that were C++ applications in V5R2 and were converted to Java applications in V5R3) should work just fine without any configuration needed (since it is only the Java Infrastructure that connects back to the PC).

Chapter 6. Central System Protected by a Firewall

Software and/or hardware firewalls that protect a company's internal network from Internet traffic is another common firewall environment. When the Graphical Client that is attempting to connect to the MC Central System is located outside the firewall, some configuration is required to allow full Management Central functionality.

Objectives

Detail Management Central configuration required within a common firewall environment where the iSeries[™] Central System and Endpoint System Servers are protected by a firewall, and the Graphical Client is outside of that firewall.

Details

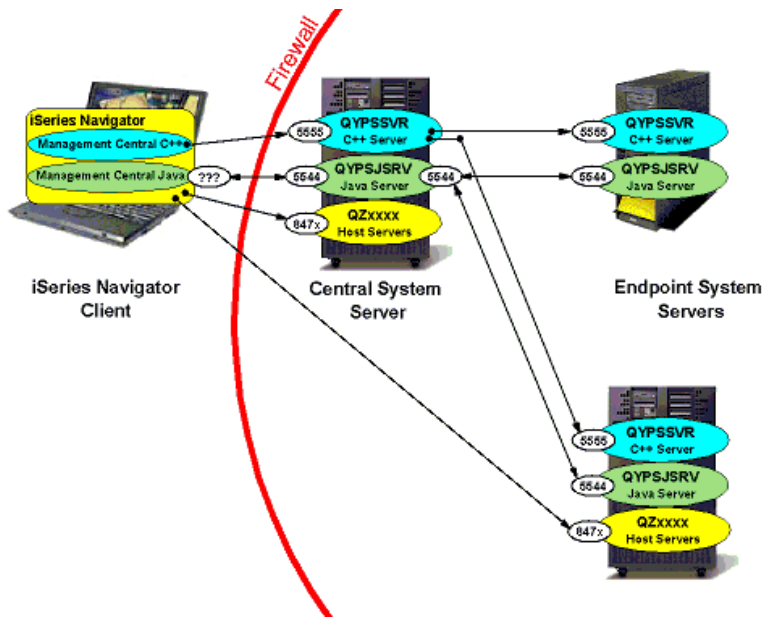


Figure 10. iSeries systems (CS and EPs) protected by a firewall

Here are some important things to note about the diagram above:

- The Central System to Endpoint Systems communications are not affected since they are all inside the firewall. If there were additional firewalls between the Central System and Endpoints see scenario three, or refer to the Management Central Connections section for information on configuring those connections.
- In this diagram the C++ server is shown, but on V5R3 systems the C++ server does not exist and the Java server instead listens on port 5555
- The Graphical Client will need to connect to the Management Central C++ Server on port 5555 (or Java server in v5r3) and Java[™] Server on port 5544 on the iSeries Central System.
- The Graphical Client will need to connect to some of the host servers on the Central System, and possibly on some of the other systems (for instance, the Graphical Client contacts the model system directly using host server for the System Values Compare and Update application).
- If SSL is being used, ports 5566 and 5577 will need to be included with 5555 throughout this document.

The steps to configure Management Central are slightly different depending on how the firewall is configured to use NAT.

Firewall that is not using NAT

- Open ports 5544 and 5555 on the firewall so that the Graphical Client can connect with the Management Central Central System.
 - Open the host server ports on the firewall that are needed for the Management Central functions being used. For additional general information on setting up host servers to work through a firewall, see <http://www-1.ibm.com/servers/eserver/series/access/cafirewl.htm>
-

Firewall that uses Static NAT

- Follow the instructions (above) for a firewall that is not using NAT.
 - Set the Central System in iSeries Navigator to connect to the external IP address of the CS (by making sure the Central System under My Connections is using the external IP address).
 - Set QYPS_HOSTNAME on the Central System as described in the Management Central Connection section. There are two ways to do this:
 1. Set QYPS_HOSTNAME of the Central System to the external IP address of the Central System. This means that any MC system (including Endpoint Systems, which might be inside the firewall) will connect to the Central System by using the external IP address.
 2. Set QYPS_HOSTNAME to a certain hostname that will resolve to the Central System's external IP address on external systems (for instance the Graphical Client), but will resolve to the Central System's internal IP address on internal systems.
-

Firewall that uses Dynamic NAT

If the firewall protecting the Central System is using Dynamic NAT, then the Graphical Client won't be able to connect to it. In fact, no system outside the firewall will be able to initiate a connection to the Central System to use any distributed application.

Chapter 7. Endpoint Systems Protected by a Firewall

In certain situations, it might be desirable to use a Central System in one physical location to manage a set of Endpoint Systems located somewhere else. In this case those endpoint systems will probably be protected by a firewall, and there are some problems that might occur in this situation. This scenario will explain the problems that might come up and explain how to fix them.

Objectives

Explain the Management Central configuration required within a firewall environment where the Endpoint Systems are protected by a firewall, and both the Graphical Client and Central System are outside of that firewall.

Details

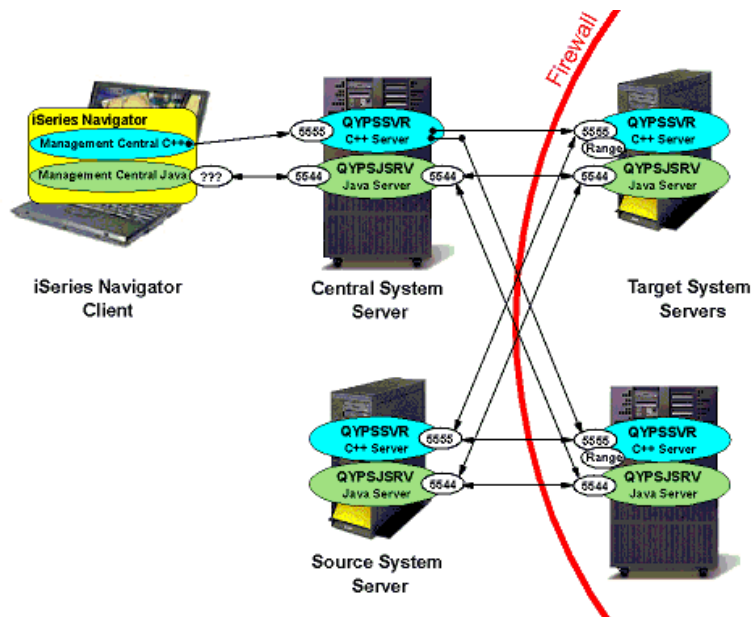


Figure 11. Endpoint Systems protected by a firewall

This diagram shows the connections that need to be made through the firewall protecting the Endpoint Systems. Here are some important things to note in the diagram above:

- This diagram assumes that the Graphical Client to Central System connection isn't going through a firewall. If this isn't the case, refer to scenarios one and two, or look at the Management Central Connections section for information on how to configure this.
- In this diagram the C++ server is shown, but on V5R3 systems the C++ server does not exist and the Java server instead listens on port 5555.
- This diagram doesn't include the host server connections that are made from the Graphical Client to the Central System or the Graphical Client to the Endpoint Systems. It is important that the firewall is set up to allow these connections. Refer to scenario 2 for information on what needs to be done to allow these connections.
- In this diagram the source system is outside the firewall (it could either be the CS, or another system outside the firewall). If the source system is inside the firewall then there shouldn't be any source

system connection problems (since the endpoint systems the source is talking to are inside the firewall also), and some of the configuration described below won't be necessary.

- The CS will communicate with the EPs on two ports, 5544 and 5555
- If SSL is being used, ports 5566 and 5577 will need to be included with 5555 throughout this document.
- Note in the diagram that if an application uses BDT (a C++ extension), then each target (endpoint) system will pick a random port to listen on, and the source/model system's BDT server will contact the endpoint system at that port to transfer the data.
- For V5R2 and V5R3 endpoint systems, a range of ports can be specified for this BDT port using the QYPS_MINIMUM_PORT and QYPS_MAXIMUM_PORT properties described in the Management Central Connections section. Each task that is running needs a separate BDT port while the task is started up, so if you could have 7 Management Central applications that use BDT all starting up on the same target system at the same time, your range will have to have at least 7 ports.

The steps to configure Management Central are slightly different depending on how the firewall is configured to use NAT.

Firewall that is not using NAT

If the firewall doesn't use Network Address Translation (NAT), then the configuration is fairly straightforward

- Open ports 5544 and 5555 on the firewall so that the Central System and Source System can connect with the Endpoint Systems.
- Refer to scenario 2 for information on allowing the host server connections.
- Specify a range of ports on each of the target systems that will be large enough to have one port for every BDT application that is starting up at the same time.
- Open this range of ports on the firewall so that the source/model system can send data to the target systems.

Firewall that uses Static NAT

- Follow the instructions (above) for a firewall that is not using NAT.
- Make sure that each Endpoint System in Management Central that is behind the firewall has its external IP address specified in the endpoint system list on the Central System (since the Central System won't be able to connect to the internal IP address for any endpoint system). Or, if the lookup frequency is set to always, make sure that on the Central System the endpoint system names resolve to the external IP address of those endpoint systems.
- Set QYPS_HOSTNAME on each Endpoint System as described in the Management Central Connections section. This is set in one of two ways:
 1. Set QYPS_HOSTNAME to the external IP address of that system. This means that any MC system (including a model system inside the firewall), will connect to the Central System using the external IP address.
 2. Set QYPS_HOSTNAME to a certain hostname that will resolve to that Endpoint System's external IP address on external systems (for instance the CS), but will resolve to that system's internal IP address on internal systems.

NOTE: Setting QYPS_HOSTNAME to a hostname (as opposed to an IP address) will work well for the Java[™] infrastructure and extensions, which pass this QYPS_HOSTNAME value to other systems to be resolved. However, setting QYPS_HOSTNAME to a hostname as opposed to an IP address won't affect the C++ extension (Bulk Data Transfer). If QYPS_HOSTNAME is actually set to a hostname and not an IP address, the Bulk Data Transfer client on each Endpoint System will resolve this QYPS_HOSTNAME to an IP address first using the DNS or host table on that endpoint system, and then pass this IP address on (instead of just passing the hostname to a remote system to be resolved there). Finally, the C++ infrastructure doesn't use this QYPS_HOSTNAME value at all, so there is nothing to worry about there.

Firewall that uses Dynamic NAT

If the firewall protecting the Endpoint Systems is using Dynamic NAT, then the Central System won't be able to connect to them. In fact, no system outside the firewall will be able to initiate a connection to any of the Endpoint Systems to use any distributed application.



Printed in USA