



iSeries 270, 800, 810, 820 or 825  
Removable Media Device

*Version 5*







iSeries 270, 800, 810, 820 or 825  
Removable Media Device

*Version 5*

**Note**

Before using this information and the product it supports, be sure to read the information in "Notices," on page 37.

**Fourth Edition (August 2005)**

This edition applies to version 5, release 3, modification 0 of IBM Operating System/400® (product number 5722-SS1) and to all subsequent releases and modifications until otherwise indicated in new editions. This version does not run on all reduced instruction set computer (RISC) models nor does it run on CISC models.

© Copyright International Business Machines Corporation 2000, 2005. All rights reserved.

US Government Users Restricted Rights – Use, duplication or disclosure restricted by GSA ADP Schedule Contract with IBM Corp.

---

# Contents

<b>Chapter 1. Removable media device . . . . .</b>	<b>1</b>
<b>Chapter 2. Before you begin . . . . .</b>	<b>3</b>
<b>Chapter 3. Replace removable media devices in iSeries 270, 800, 810, or 820 . . . . .</b>	<b>5</b>
<b>Chapter 4. Install removable media devices in iSeries 270, 800, 810, or 820 . . . . .</b>	<b>7</b>
Details: Install removable media devices in iSeries 270, 800, 810, or 820 . . . . .	7
Completing the installation . . . . .	9
<b>Chapter 5. Replace removable media devices in iSeries 825 . . . . .</b>	<b>13</b>
Replace removable media devices with 825 powered on . . . . .	13
Replace removable media devices with 825 powered off . . . . .	15
<b>Chapter 6. Install removable media devices in iSeries 825 . . . . .</b>	<b>19</b>
Install removable media devices with 825 power on . . . . .	20
Prepare to install a removable media device . . . . .	20
Details: Install removable media devices with 825 powered on . . . . .	20
Install removable media devices with 825 powered off . . . . .	22
Details: Install removable media devices with 825 power off . . . . .	22
<b>Chapter 7. Replace concurrent removable media backplane . . . . .</b>	<b>25</b>
<b>Chapter 8. Install concurrent removable media backplane . . . . .</b>	<b>27</b>
Details: Install concurrent removable media backplane . . . . .	28
<b>Power down the system unit . . . . .</b>	<b>31</b>
<b>Unit Covers. . . . .</b>	<b>33</b>
270, 800, 810 and 820 System Units . . . . .	33
270, 800, or 810 unit in a rack . . . . .	35
<b>Appendix. Notices . . . . .</b>	<b>37</b>
Trademarks . . . . .	38
Terms and conditions for downloading and printing publications . . . . .	39
Code disclaimer information. . . . .	39
Electronic Emission Notices . . . . .	40
Federal Communications Commission (FCC) statement . . . . .	40
Electronic Emission Notices . . . . .	42
Federal Communications Commission (FCC) statement . . . . .	42



---

## Chapter 1. Removable media device

Replacing and installing this feature are customer tasks. When you use these instructions, you will perform some or all of the following tasks:

- Perform prerequisite tasks.
- Power down the system unit.
- Remove the system unit covers.
- Remove hardware.
- Install new hardware.
- Install covers.
- IPL your operating system.
- Verify your new hardware configuration.

It will take approximately one hour to perform these tasks. You may need to allow additional time to complete your jobs, back up your system, IPL your system, and verify your hardware configuration.

You can choose to perform these tasks yourself or contact IBM(R) or an authorized service provider to make arrangements for them to perform the tasks for a fee. Should you encounter difficulties when performing a task, contact your authorized dealer or service provider.

Select the instructions for the task you want to perform:

- Chapter 3, "Replace removable media devices in iSeries 270, 800, 810, or 820," on page 5
- Chapter 5, "Replace removable media devices in iSeries 825," on page 13
- Chapter 7, "Replace concurrent removable media backplane," on page 25
- Chapter 4, "Install removable media devices in iSeries 270, 800, 810, or 820," on page 7
- Chapter 6, "Install removable media devices in iSeries 825," on page 19
- Chapter 8, "Install concurrent removable media backplane," on page 27





---

## Chapter 2. Before you begin

Before you begin a replacement or installation task, follow these steps:

- \_\_\_ 1. **For an installation and if possible, for a replacement, ensure that you have a current backup of your system (including operating system, licensed programs, and data).** If you have backed up the operating system and licensed programs since the last time you applied PTFs, that backup is acceptable.
- \_\_\_ 2. Ensure that you take a few minutes to become familiar with these instructions.
- \_\_\_ 3. Ensure that you have access to a medium flat-bladed screwdriver.
- \_\_\_ 4. If there are incorrect, missing, or visibly damaged parts, contact one of the following:
  - Your authorized service provider
  - In the United States: IBM® Rochester Manufacturing Automated Information Line (R-MAIL) at 1-800-300-8751
  - In countries outside of the United States: Use the following Web site to locate your service and support numbers:  
<http://www.ibm.com/planetwide>
- \_\_\_ 5. If you are installing new hardware in logical partitions, you need to plan and understand the requirements to be successful. Go to Logical partitions in the *Information Center*. Then return to these instructions.
- \_\_\_ 6. If you encounter difficulties during the procedure, contact your authorized service provider or your authorized dealer.
- \_\_\_ 7. Determine if there are any existing PTF prerequisites before you install your new feature. Go to the following Web site:  
[http://www-912.ibm.com/s\\_dir/slkbases.NSF/slkbases](http://www-912.ibm.com/s_dir/slkbases.NSF/slkbases)
  - a. Select **All Documents**.
  - b. Select **General Information**.
  - c. Select **Offerings**.
  - d. Select **Feature Prerequisites**.
  - e. Select **Customer Installation Features Prerequisites**.
  - f. Locate your feature number and OS/400® release, and check the prerequisites.




---

## Chapter 3. Replace removable media devices in iSeries 270, 800, 810, or 820

To replace a removable media device, perform these tasks:

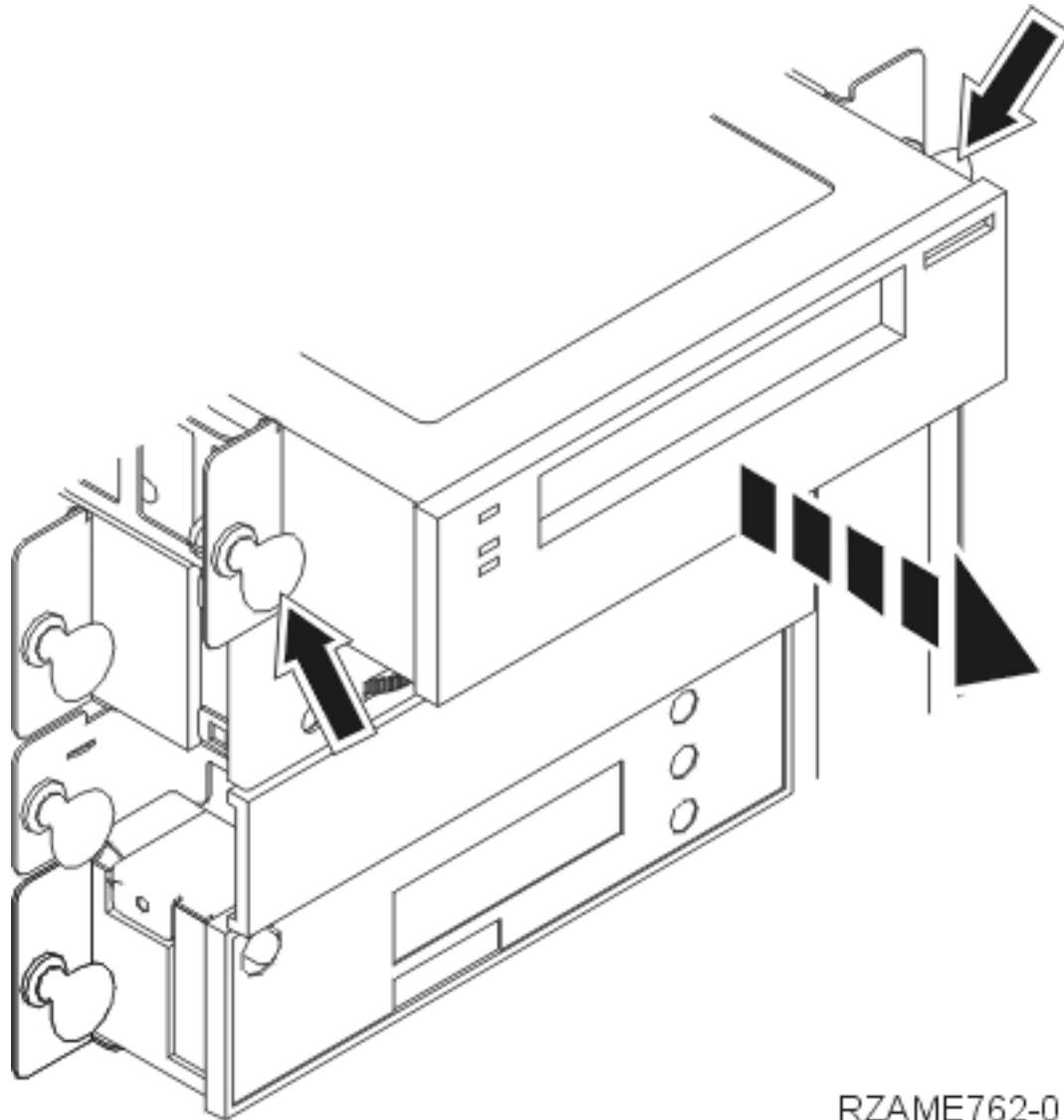
- \_\_\_ 1. Perform prerequisite tasks as described in Chapter 2, “Before you begin,” on page 3.
- \_\_\_ 2. “Power down the system unit” on page 31.
- \_\_\_ 3. Remove the “Unit Covers” on page 33.
- \_\_\_ 4. **If possible, use a wrist strap to prevent electrostatic discharge from damaging your hardware.** If you do not have a wrist strap, touch a metal surface of the system or expansion unit before installing or replacing hardware.

If you received the 2209 Disposable Wrist Strap, follow these steps:

- \_\_\_ a. Attach the disposable wrist strap.  View video.
- \_\_\_ b. When you unroll the strap, remove the liner from the copper foil at the end.
- \_\_\_ c. Attach the adhesive part of the copper foil to an **exposed, unpainted** metal surface on the frame of the unit.

**Note:** Follow the same precautions you would use without the wrist strap. The 2209 Disposable Wrist Strap is for static control. It will not increase or decrease your risk of receiving electric shock when using or working on electrical equipment.

- \_\_\_ 5. Locate the removable media device to be replaced.
- \_\_\_ 6. Disconnect the signal (larger connector) and power (smaller connector) cables from the back of the device. Access to these connectors is from the side of the system unit.
- \_\_\_ 7. Pull the two latches that secure the device to the system unit frame forward until they stop.



RZAME762-0

- 8. Remove the device by sliding it forward and out of the system unit. You may need to remove the filler blank above the control panel.
- 9. Place the device in a static protective bag.
- 10. Follow the steps in “Details: Install removable media devices in iSeries 270, 800, 810, or 820” on page 7 to install the new device.


---

## Chapter 4. Install removable media devices in iSeries 270, 800, 810, or 820

To install the removable media device, perform these tasks:

- \_\_\_ 1. Perform prerequisite tasks as described in Chapter 2, “Before you begin,” on page 3.
- \_\_\_ 2. “Power down the system unit” on page 31.
- \_\_\_ 3. **If possible, use a wrist strap to prevent electrostatic discharge from damaging your hardware.** If you do not have a wrist strap, touch a metal surface of the system or expansion unit before installing or replacing hardware.

If you received the 2209 Disposable Wrist Strap, follow these steps:

- \_\_\_ a. Attach the disposable wrist strap.  View video.
- \_\_\_ b. When you unroll the strap, remove the liner from the copper foil at the end.
- \_\_\_ c. Attach the adhesive part of the copper foil to an **exposed, unpainted** metal surface on the frame of the unit.

**Note:** Follow the same precautions you would use without the wrist strap. The 2209 Disposable Wrist Strap is for static control. It will not increase or decrease your risk of receiving electric shock when using or working on electrical equipment.

- \_\_\_ 4. Remove the unit covers. Refer to “Unit Covers” on page 33.
- \_\_\_ 5. Remove the blank from the system unit.
- \_\_\_ 6. Follow the steps in “Details: Install removable media devices in iSeries 270, 800, 810, or 820” to install the new device.

---

### Details: Install removable media devices in iSeries 270, 800, 810, or 820

To install a removable media device, perform these tasks:

**Note:** The figures in these instructions may not look exactly like the server that you have. However, the steps to perform the task are the same.

- \_\_\_ 1. Find the package that contains the new removable media device and remove it from the package.
- \_\_\_ 2. Is the device you are installing an optical device?
  - \_\_\_ **Yes:** Continue with the next step.
  - \_\_\_ **No:** Go to step 4 on page 8.
- \_\_\_ 3. Refer to the following figures to place the optical device unit address jumpers

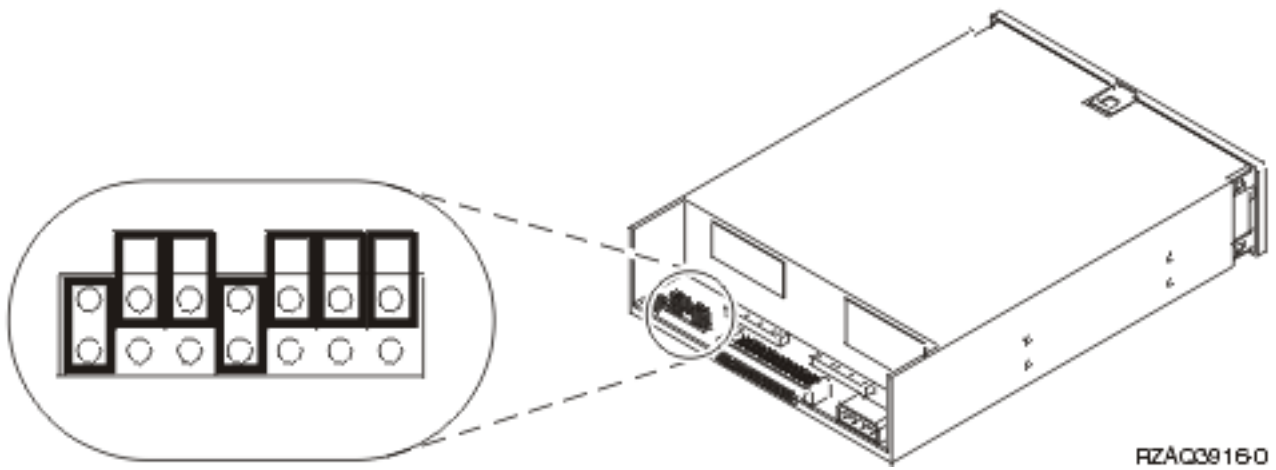


Figure 1. 6321 CD-ROM optical unit jumpers for location D07 (Models 270, 800 and 810) and D13 (Model 820)

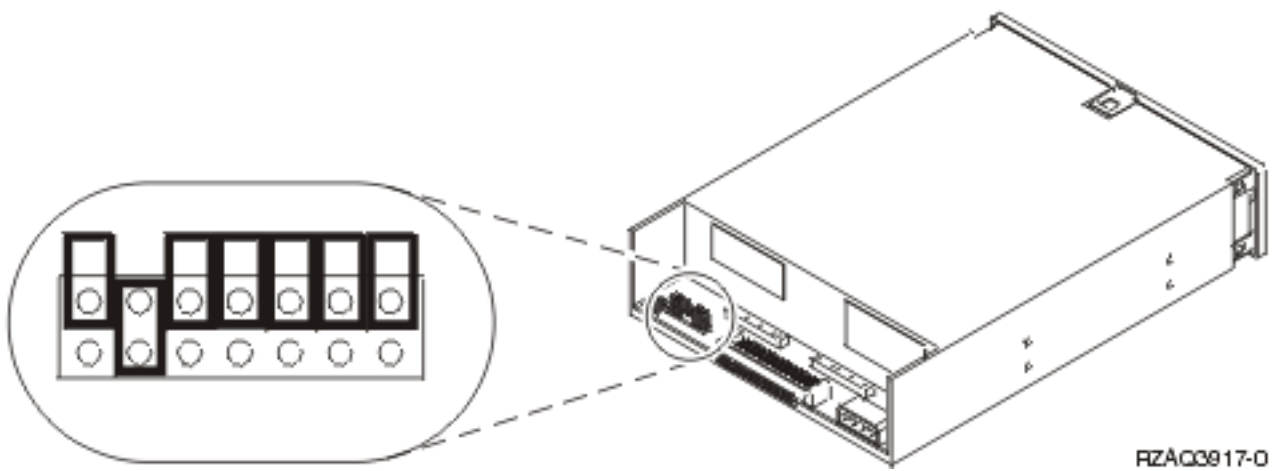


Figure 2. 6330 DVD-RAM optical unit jumpers for location D07 (Models 270, 800 and 810) and D13 (Model 820)

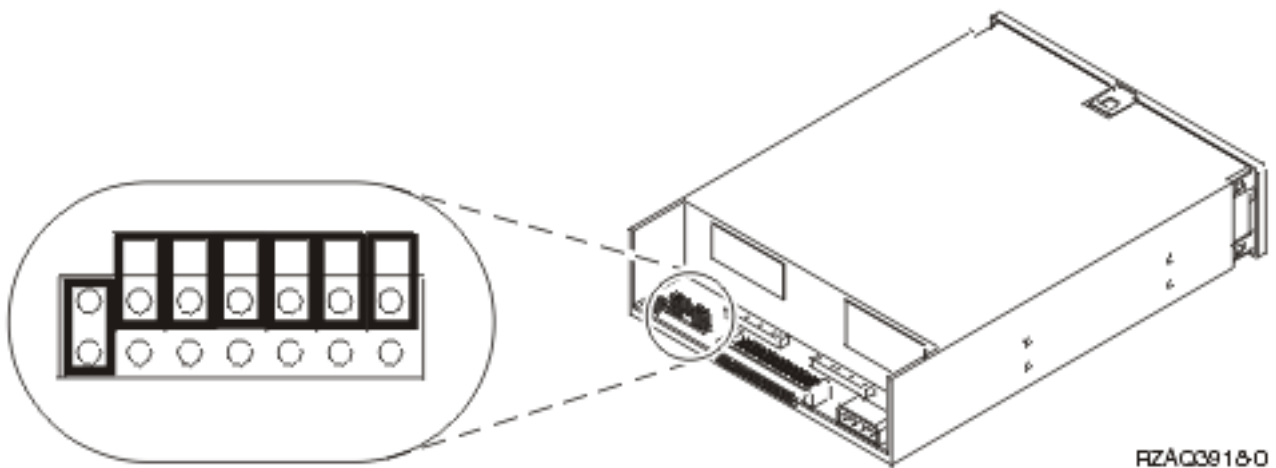
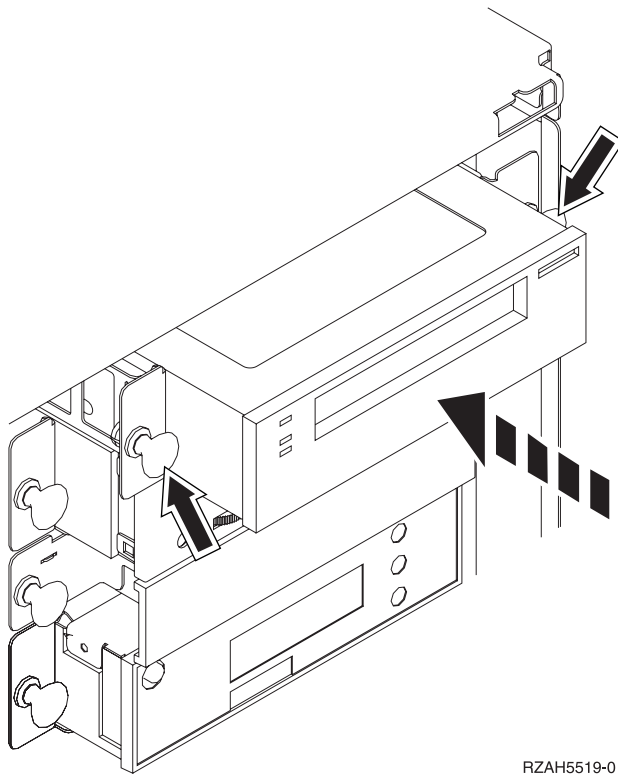


Figure 3. DVD-ROM optical unit jumpers for location D07 (Models 270, 800 and 810) and D13 (Model 820)

4. Align the device and slide it into the front of the system unit (Figure 4 on page 9) until the device is flush against the frame of your system unit.

- \_\_\_ 5. Push in the blue latches to secure the device to your system unit.
- \_\_\_ 6. Plug the power cable into the smaller connector on the back of the removable media device.
- \_\_\_ 7. If you are not replacing an existing removable media device, you need to remove the tape from the end of the cable.
- \_\_\_ 8. Plug the signal cable into the larger connector on the back of the removable media device.



RZAH5519-0

Figure 4. Installing the removable media device

- \_\_\_ 9. Do you have another removable media device to install?
  - \_\_\_ **No:** Continue with the next step.
  - \_\_\_ **Yes:** Repeat this procedure.
- \_\_\_ 10. Do you have any other adapter cards or devices to install?
  - \_\_\_ **No:** Continue with the next step.
  - \_\_\_ **Yes:** If you have another device such as a disk unit, an adapter card, or a memory card to install, go to the instructions that came with that device.
- \_\_\_ 11. Go to “Completing the installation.”

---

## Completing the installation

- \_\_\_ 1. Install the system unit side cover by aligning the tabs on the top and bottom edge. Press forward and make sure that all tabs enter the slots. Slide the cover toward the front of the system unit until it stops and tighten the screws.
- \_\_\_ 2. Install the system unit covers.

### 3. DANGER

An electrical outlet that is not correctly wired could place hazardous voltage on metal parts of the system or the products that attach to the system. It is the customer's responsibility to ensure that the outlet is correctly wired and grounded to prevent an electrical shock. (RSFTD201)

Plug the following power cords into an electrical outlet.

- System unit
- System unit console

- \_\_\_ 4. Plug in and power on all attached devices, such as printers and displays.
- \_\_\_ 5. Is your unit a 270, 800, 810, or 820?
- \_\_\_ 270, 800, or 810: Continue with the next step.
- \_\_\_ 820: Go to step 8.
- \_\_\_ 6. Look at the Function/Data display on the control panel.
- \_\_\_ 7. Does **01 B N V=S** appear in the Function/Data display?
- \_\_\_ Yes: Go to step 10 on page 11.
- \_\_\_ No: Do the following:
- \_\_\_ a. Press the Increment/Decrement push button until **02** appears in the Function/Data display.
- \_\_\_ b. Press the Enter push button on the control panel.
- \_\_\_ c. Press the Increment/Decrement push button until **B** appears in the Function/Data display.
- \_\_\_ d. Press the Enter push button on the control panel.
- \_\_\_ e. Press the Increment/Decrement push button until **N** appears in the Function/Data display.
- \_\_\_ f. Press the Enter push button on the control panel.
- \_\_\_ g. Press the Increment/Decrement push button until **S** appears in the Function/Data display.
- \_\_\_ h. Press the Enter push button on the control panel.
- \_\_\_ i. Press the Increment/Decrement push button until **01** appears in the Function/Data display.
- \_\_\_ j. Press the Enter push button on the control panel.
- 01 B N S** should appear in the Function/Data display. If it does not, repeat steps 7a through 7i.
- \_\_\_ k. Go to step 10 on page 11.
- \_\_\_ 8. Look at the Function/Data display on the control panel.
- \_\_\_ 9. Does **01 B V=S** with Normal indicator (**OK**) illuminated appear in the Function/Data display?
- \_\_\_ Yes: Continue with the next step.
- \_\_\_ No: Do the following:
- \_\_\_ a. Press the Mode Select button until the Manual mode indicator (a small hand) illuminated.
- \_\_\_ b. Press the Increment/Decrement push button until **02** appears in the Function/Data display.
- \_\_\_ c. Press the Enter push button on the control panel.
- \_\_\_ d. Press the Increment/Decrement push button until **B** appears in the Function/Data display.
- \_\_\_ e. Press the Enter push button on the control panel.



- \_\_\_ f. Press the Increment/Decrement push button until **S** appears in the Function/Data display
  - \_\_\_ g. Press the Enter push button on the control panel.
  - \_\_\_ h. Press the Mode Select button until the Normal indicator (**OK**) is illuminated.
  - \_\_\_ i. Press the Enter push button on the control panel.
  - \_\_\_ j. Press the Increment/Decrement push button until **01** appears in the Function/Data display.
  - \_\_\_ k. Press the Enter push button on the control panel.  
**01 B S** with Normal indicator (**OK**) illuminated appear in the Function/Data display.  
 If it does not appear, repeat steps 9a on page 10 through 9j.
  - \_\_\_ l. Go to step 10.
- \_\_\_ 10. Power on the workstation or PC that is your console.
- \_\_\_ 11. Press the system-unit power-on button. The power-on light will appear.
- Note:** There is an approximately 10-second delay before the power on. The system takes approximately 5 to 20 minutes to power on and complete an IPL.
- \_\_\_ 12. Sign on the system unit. Ensure that you have service tools authority.
- \_\_\_ 13. Do the following to verify your removable media device you just installed:
- \_\_\_ a. You need to sign on with service authority.
  - \_\_\_ b. Type **strsst** on the *Main Menu* command line.  
Press Enter.
  - \_\_\_ c. Type **your service tools user ID and service tools password** on the *System Service Tools (SST) Sign On* display.  
Press Enter.
  - \_\_\_ d. Select **Start a service tool** on the *System Service Tools (SST)* display.  
Press Enter.
  - \_\_\_ e. Select **Hardware service manager** on the *Start a Service Tool* display.  
Press Enter.
  - \_\_\_ f. Press F6 (Print the configuration) from the *Hardware Service Manager* display.
  - \_\_\_ g. **Select Packaging hardware resources (systems, frames, cards, ...)** from the *Hardware Service Manager* display.  
Press Enter.
  - \_\_\_ h. Type **9** (Hardware contained within package) in the *Opt* column next to the system or expansion unit on the *Packaging Hardware Resources* display.  
Press Enter.
  - \_\_\_ i. Scroll up or down until the removable media device you installed is shown.
  - \_\_\_ j. To return to the *Main Menu*, press F3 (Exit) three times and then press Enter.
  - \_\_\_ k. Place the configuration list where you can refer to it in the future.
- \_\_\_ 14. For information on how to make your removable media device operational, go to the Work with storage topic in the *Information Center*.
- \_\_\_ 15. Your feature installation is complete.

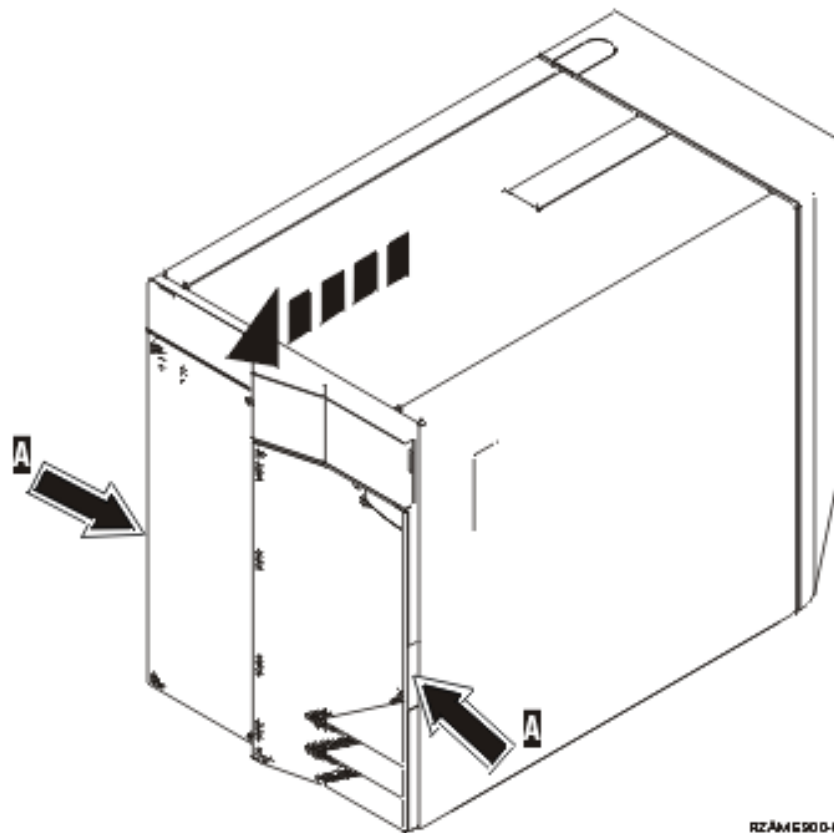


---

## Chapter 5. Replace removable media devices in iSeries 825

To replace a removable media device, perform these tasks:

- \_\_ 1. Perform prerequisite tasks as described in Chapter 2, "Before you begin," on page 3.
- \_\_ 2. Remove the front cover.



Your system can either be powered off (nonconcurrent) or powered on (concurrent) when you replace a removable media device. Select the preferred procedure from the following:

- "Replace removable media devices with 825 powered on"
- "Replace removable media devices with 825 powered off" on page 15

---

### Replace removable media devices with 825 powered on


Be sure you understand the steps in this procedure before you begin. If you do not feel comfortable using the concurrent procedure, go to "Replace removable media devices with 825 powered off" on page 15.

**Attention:** Failure to follow these instructions could result in damage to the removable media device or to the system unit and could result in loss of data.

To perform the concurrent replacement procedure, follow these steps:

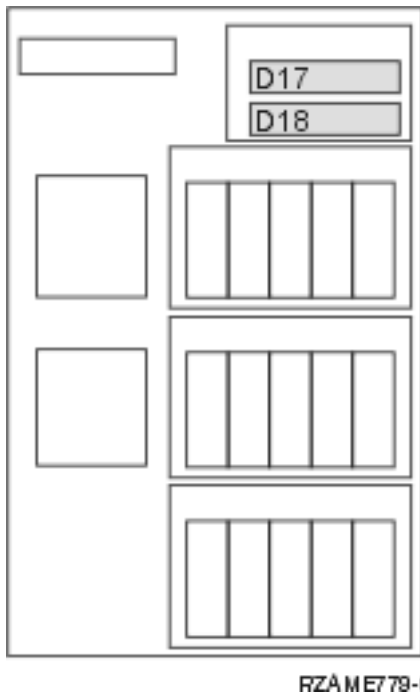
1. If possible, use a wrist strap to prevent electrostatic discharge from damaging your hardware. If you do not have a wrist strap, touch a metal surface of the system or expansion unit before installing or replacing hardware.

If you received the 2209 Disposable Wrist Strap, follow these steps:

- \_\_ a. Attach the disposable wrist strap.  View video.
- \_\_ b. When you unroll the strap, remove the liner from the copper foil at the end.
- \_\_ c. Attach the adhesive part of the copper foil to an **exposed, unpainted** metal surface on the frame of the unit.

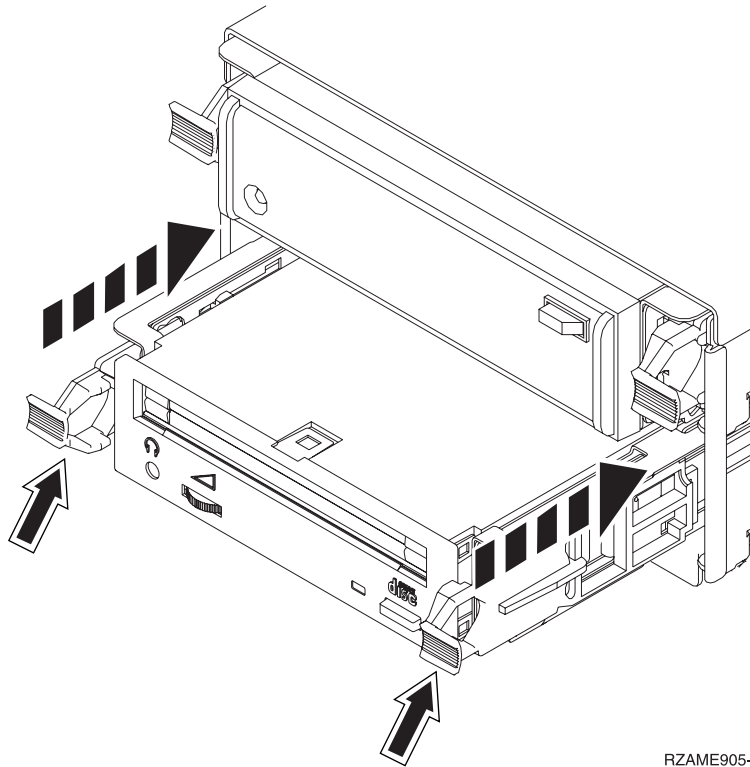
**Note:** Follow the same precautions you would use without the wrist strap. The 2209 Disposable Wrist Strap is for static control. It will not increase or decrease your risk of receiving electric shock when using or working on electrical equipment.

2. Locate the device you want to replace on the front of the system unit.



3. If you have not done so already, sign on with **service tools authority**.
4. On an iSeries command line, type: **strsst**. Press Enter.
5. Type **your service tools user ID and service tools password** on the *System Service Tools (SST) Sign On* display. Press Enter.
6. When the *System Service Tools (SST)* display appears, select the **Start a service tool** option. Press the Enter key.
7. When the *Start a Service Tool* menu appears, select the **Hardware service manager** option. Press the Enter key.
8. At the *Hardware Service Manager* display, select the **Device Concurrent Maintenance** option. Press the Enter key.
9. At the *Specify either Physical Location or Resource Name* field, type:
  - a. The number 1 for Frame ID.
  - b. The physical location (D17 is the upper location and D18 is the lower location).
10. Select option 1 (Remove device) for the action to be performed.
11. Set the time delay for one minute—01. (Do not press Enter at this time.)

12. When the light begins to blink rapidly, you will have nine seconds to remove the device.
13. Press Enter on the console.
14. When the light starts blinking, after the one minute delay, squeeze and pull both handles on both sides of the device toward you.



RZAME905-0

15. Slide the device out.

**Note:** Do not hold the device by the handles.


16. The light will stop blinking and remain off when the device is removed.
17. Return to the console and wait until the *Concurrent Maintenance Results* display appears. Press **F12**.
18. Follow the steps in “Details: Install removable media devices with 825 powered on” on page 20 to install the new device.

---

## Replace removable media devices with 825 powered off

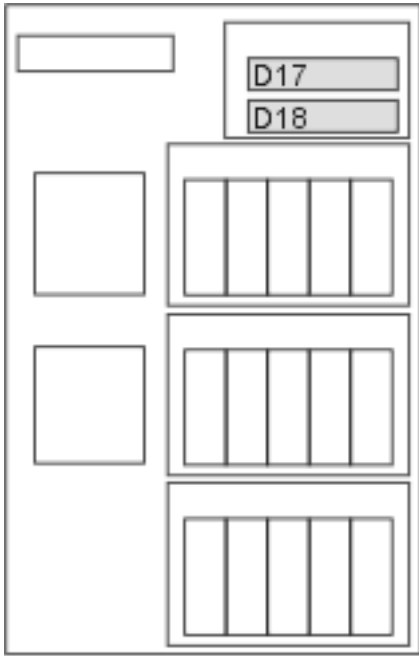
- \_\_\_ 1. If you have installed logical partitions on your system unit, refer to the *iSeries Information Center*. Go to Manage logical partitions in the *iSeries Information Center* to find instructions on powering down a system with logical partitions.
- \_\_\_ 2. “Power down the system unit” on page 31.
- \_\_\_ 3. **If possible, use a wrist strap to prevent electrostatic discharge from damaging your hardware.** If you do not have a wrist strap, touch a metal surface of the system or expansion unit before installing or replacing hardware.

If you received the 2209 Disposable Wrist Strap, follow these steps:

- \_\_\_ a. Attach the disposable wrist strap.  View video.
- \_\_\_ b. When you unroll the strap, remove the liner from the copper foil at the end.
- \_\_\_ c. Attach the adhesive part of the copper foil to an **exposed, unpainted** metal surface on the frame of the unit.

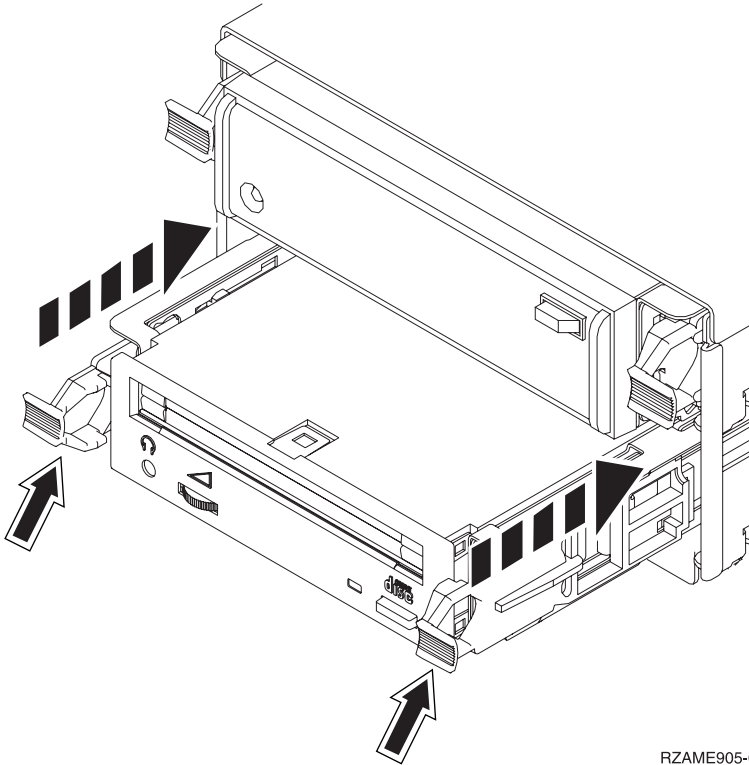
**Note:** Follow the same precautions you would use without the wrist strap. The 2209 Disposable Wrist Strap is for static control. It will not increase or decrease your risk of receiving electric shock when using or working on electrical equipment.

- \_\_\_ 4. Locate the device you want to replace on the front of the system unit.



RZAME779-0

- \_\_\_ 5. Pull both handles on both sides of the device toward you.



RZAME905-0

- \_\_\_ 6. Slide the device out.

**Note:** Do not hold the device by the handles.

- \_\_\_ 7. Follow the instructions in “Details: Install removable media devices with 825 power off” on page 22 to install the new removable media device.





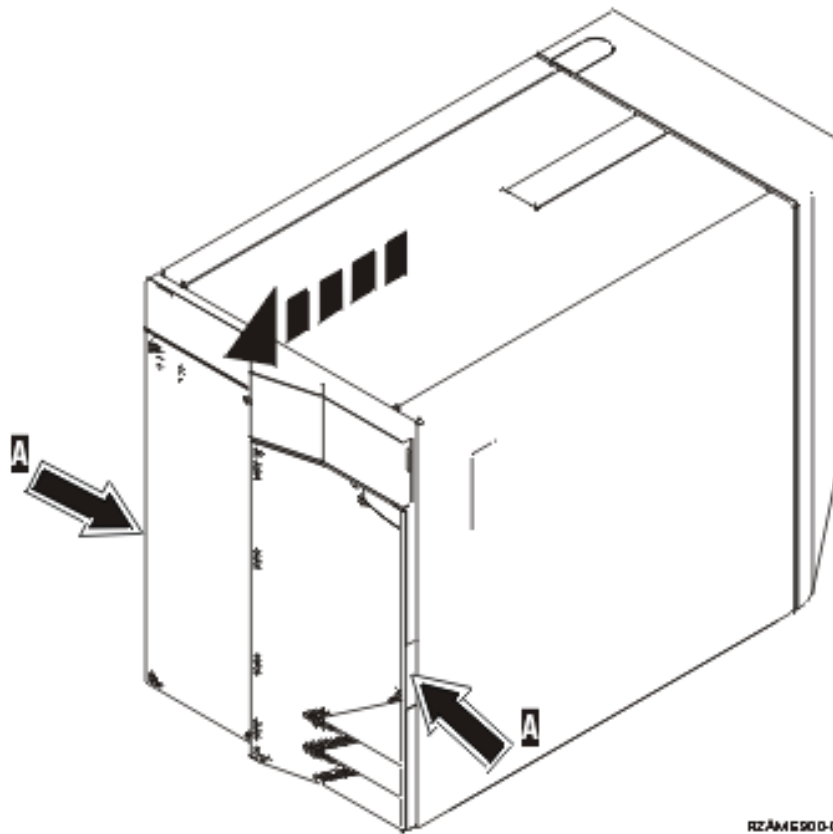
---

## Chapter 6. Install removable media devices in iSeries 825

To install a removable media device, perform these tasks:


**Note:** The figures in these instructions may not look exactly like the server that you have. However, the steps to perform the task are the same.

- \_\_ 1. Perform prerequisite tasks as described in Chapter 2, “Before you begin,” on page 3.
- \_\_ 2. Remove the front cover.




- \_\_ 3. **If possible, use a wrist strap to prevent electrostatic discharge from damaging your hardware.** If you do not have a wrist strap, touch a metal surface of the system or expansion unit before installing or replacing hardware.

If you received the 2209 Disposable Wrist Strap, follow these steps:

- \_\_ a. Attach the disposable wrist strap.  View video.
- \_\_ b. When you unroll the strap, remove the liner from the copper foil at the end.
- \_\_ c. Attach the adhesive part of the copper foil to an **exposed, unpainted** metal surface on the frame of the unit.

**Note:** Follow the same precautions you would use without the wrist strap. The 2209 Disposable Wrist Strap is for static control. It will not increase or decrease your risk of receiving electric shock when using or working on electrical equipment.

- \_\_ 4. Pull out the removable media filler bezel from the location in which you are installing the new device.  View video.

This procedure gives you the steps you need to install removable media devices in your 825 system. Your system can either be powered off (nonconcurrent) or powered on (concurrent) when you install the removable media device.

Select the preferred procedure from the following:

- “Install removable media devices with 825 power on”
- “Install removable media devices with 825 powered off” on page 22

---

## Install removable media devices with 825 power on

Be sure you understand the steps in this procedure before you begin. If you do not feel comfortable using the concurrent procedure, go to “Install removable media devices with 825 powered off” on page 22.

**Attention:** Failure to follow these instructions could result in damage to the removable media device or to the system unit and could result in loss of data.

To perform the concurrent installation, follow these steps:

**Note:** The figures in these instructions may not look exactly like the server that you have. However, the steps to perform the task are the same.

1. “Prepare to install a removable media device.”
2. “Details: Install removable media devices with 825 powered on.”

## Prepare to install a removable media device

To prepare your system for the concurrent procedure, follow these steps:

- \_\_ 1. If you have not done so already, sign on with **service tools authority**.
- \_\_ 2. On an iSeries command line, type: **strsst**. Press Enter.
- \_\_ 3. Type **your service tools user ID and service tools password** on the *System Service Tools (SST) Sign On* display. Press Enter.
- \_\_ 4. When the *System Service Tools (SST)* display appears, select the **Start a service tool** option. Press the Enter key.
- \_\_ 5. When the *Start a Service Tool* menu appears, select the **Hardware service manager** option. Press the Enter key.
- \_\_ 6. At the *Hardware Service Manager* display, select the **Device Concurrent Maintenance** option. Press the Enter key.
- \_\_ 7. At the *Specify either Physical Location or Resource Name* field, type:
  - a. The number 1 for Frame ID.
  - b. The physical location (D17 is the upper location and D18 is the lower location).

## Details: Install removable media devices with 825 powered on

To install the removable media device, follow these steps:

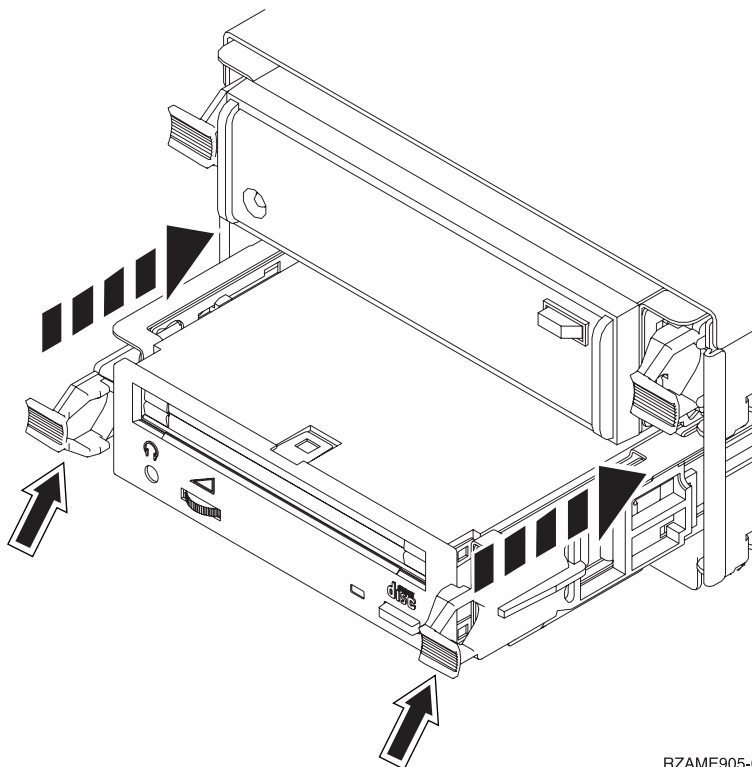
- \_\_ 1. Find the package that contains the new removable media device and remove it from the static-protective package.

**Attention:** Removable media devices are fragile. Handle with care.
- \_\_ 2. Pull the handles out toward you before you install the removable media device into the system or expansion unit.

- \_\_\_ 3. Hold the device with the button in the upper right for tape units or lower right for CD-ROMs.
- \_\_\_ 4. Refer to Figure 5 and support the bottom of the removable media device as you slide it half way into the selected position. Do not push it any further.
- \_\_\_ 5. At the *Specify action as* field, select option **Install device**.
- \_\_\_ 6. At the *Enter a time value between 00 and 19* field, type **01** for one minute.
- \_\_\_ 7. Press the Enter key.

**Note:** Watch the light on the right side of the removable media devices. When the light comes on and begins to blink rapidly, you have nine seconds to slide the removable media device into place.

- \_\_\_ 8. When the light starts blinking, slide the removable media device in until it seats properly. Push both handles in at the same time to lock the removable media device into place.



RZAME905-0

Figure 5. Installing removable media device

- \_\_\_ 9. The green light will stop blinking and remain on solid when you properly installed the removable media device.
- \_\_\_ 10. Return to the console and wait until the *Concurrent Maintenance Results* display appears. Press the Enter key.
- \_\_\_ 11. When the *Hardware Service Manager* menu appears, select the **Packaging hardware resources (system, frames, cards...)** option. Press the Enter key.
- \_\_\_ 12. On the *Packaging Hardware Resources* menu, enter a **9** in the *Opt* column next to the unit with the new removable media device. Press the Enter key.
- \_\_\_ 13. The *Description* and *Device Type-Model* will be displayed along with the position where your new removable media device was installed.
- \_\_\_ 14. Press **F3** once to return to the *Hardware Service Manager* display.

- \_\_ 15. At the *Hardware Service Manager* display, press **F6** to print the configuration list if you have a printer. You or a service representative may refer to the configuration list in the future.
- \_\_ 16. Install the front cover.

**DANGER**

An electrical outlet that is not correctly wired could place hazardous voltage on metal parts of the system or the products that attach to the system. It is the customer's responsibility to ensure that the outlet is correctly wired and grounded to prevent an electrical shock.  
(RSFTD201)

- \_\_ 17. Press **F12** twice and press the Enter key to return to the Main menu.
- \_\_ 18. Your feature installation is complete.


---

## Install removable media devices with 825 powered off

To install the removable media device, follow these steps:

- \_\_ 1. If you have installed logical partitions on your system unit, refer to the *iSeries Information Center*. Go to Manage logical partitions in the *iSeries Information Center* to find instructions on powering down a system with logical partitions.
- \_\_ 2. "Power down the system unit" on page 31.
- \_\_ 3. **If possible, use a wrist strap to prevent electrostatic discharge from damaging your hardware.** If you do not have a wrist strap, touch a metal surface of the system or expansion unit before installing or replacing hardware.

If you received the 2209 Disposable Wrist Strap, follow these steps:


- \_\_ a. Attach the disposable wrist strap.  View video.
- \_\_ b. When you unroll the strap, remove the liner from the copper foil at the end.
- \_\_ c. Attach the adhesive part of the copper foil to an **exposed, unpainted** metal surface on the frame of the unit.

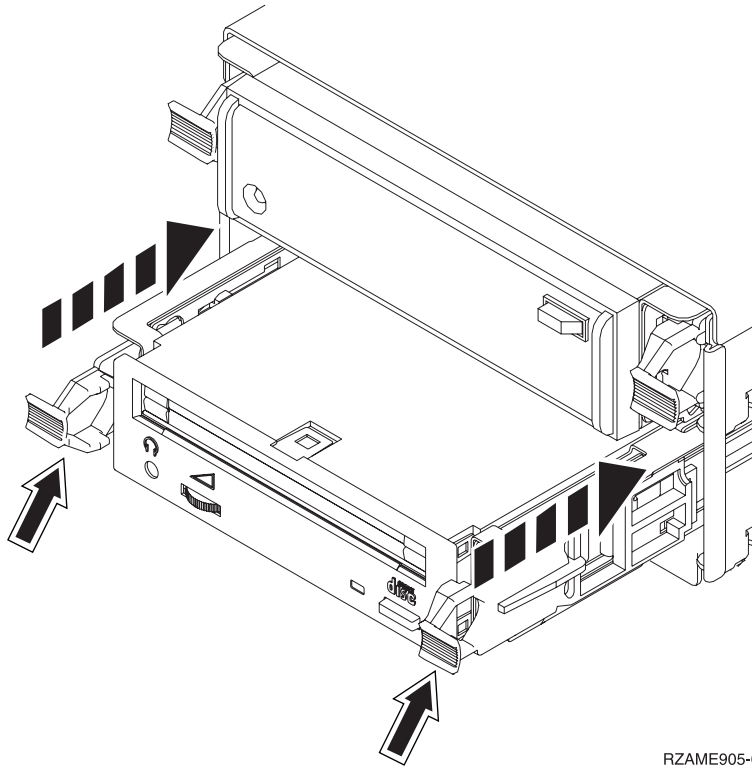
**Note:** Follow the same precautions you would use without the wrist strap. The 2209 Disposable Wrist Strap is for static control. It will not increase or decrease your risk of receiving electric shock when using or working on electrical equipment.

- \_\_ 4. "Details: Install removable media devices with 825 power off."

## Details: Install removable media devices with 825 power off

To install a removable media device, follow these steps:

- \_\_ 1. Find the package that contains the new removable media device and remove it from the static-protective package.  
**Attention:** Removable media devices are fragile. Handle with care.
- \_\_ 2. Hold the device upright and pull both handles on both sides of the device toward you.
- \_\_ 3. Hold the device with the button in the upper right for tape units or lower right for CD-ROMs.  
Do not hold the device by the handles.  View video.
- \_\_ 4. Refer to Figure 6 on page 23 and align the device with the empty position.
- \_\_ 5. Slide it into the unit until it stops.
- \_\_ 6. Push both handles in at the same time to lock the removable media device into place.



RZAME905-0

Figure 6. Installing the removable media device

- \_\_\_ 7. Install the front cover.

**DANGER**

An electrical outlet that is not correctly wired could place hazardous voltage on metal parts of the system or the products that attach to the system. It is the customer's responsibility to ensure that the outlet is correctly wired and grounded to prevent an electrical shock.  
(RSFTD201)

- \_\_\_ 8. Plug in the system unit and system unit console. Plug in everything you previously unplugged such as printers and displays.
- \_\_\_ 9. Power on all attached devices, such as printers and displays.
- \_\_\_ 10. Look at the Function/Data display on the control panel.
- \_\_\_ 11. Does **01 B V=S** with Normal indicator (**OK**) illuminated appear in the Function/Data display?
  - \_\_\_ **Yes:** Continue with the next step.
  - \_\_\_ **No:** Do the following:
    - \_\_\_ a. Press the Mode Select button until the Manual indicator (a small hand) is illuminated.
    - \_\_\_ b. Press the Increment/Decrement push button until **02** appears in the Function/Data display.
    - \_\_\_ c. Press the Enter push button on the control panel.
    - \_\_\_ d. Press the Increment/Decrement push button until **B** appears in the Function/Data display.
    - \_\_\_ e. Press the Enter push button on the control panel.
    - \_\_\_ f. Press the Increment/Decrement push button until **S** appears in the Function/Data display
    - \_\_\_ g. Press the Enter push button on the control panel.

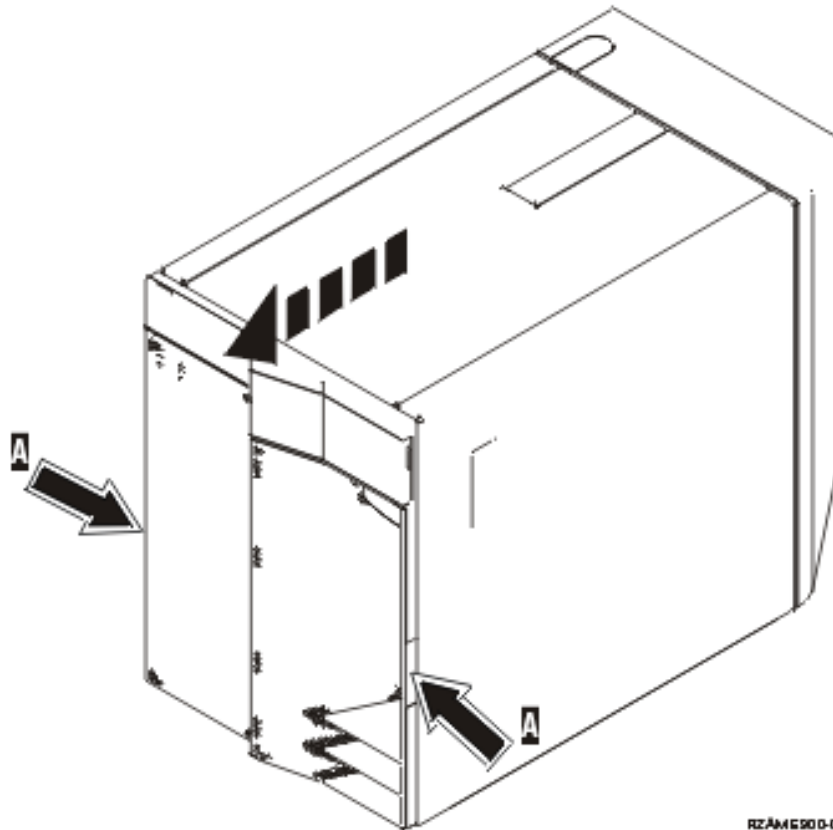
- \_\_ h. Press the Mode Select button until the Normal indicator (**OK**) illuminated.
- \_\_ i. Press the Increment/Decrement push button until **01** appears in the Function/Data display.
- \_\_ j. Press the Enter push button on the control panel.  
**01 B S** with Normal indicator (**OK**) illuminated should appear in the Function/Data display. If it does not appear, repeat steps 11a on page 23 through 11j.
- \_\_ 12. Power on the workstation or PC that is the console for your system.
- \_\_ 13. Press the power button to power on your system unit.
- \_\_ 14. Sign on the system unit. Ensure that you have service tools authority.
- \_\_ 15. Do the following to verify your removable media device configuration:
  - \_\_ a. On a command line, type: **strsst**. Press the Enter key.
  - \_\_ b. Type **your service tools user ID and service tools password** on the *System Service Tools (SST) Sign On* display.
  - \_\_ c. When the *System Service Tools (SST)* display appears, select the **Start a service tool** option. Press the Enter key.
  - \_\_ d. When the *Start a Service Tool* display appears, select the **Hardware service manager** option. Press the Enter key.
  - \_\_ e. When the *Hardware Service Manager* display appears, select the **Packaging hardware resources (system, frames, cards...)** option. Press the Enter key.
  - \_\_ f. On the *Packaging Hardware Resources* display, enter a **9** in the *Opt* column next to the unit with the new removable media device.
  - \_\_ g. The *Description* and *Device Type-Model* will be displayed along with the position where your new removable media device was installed.
  - \_\_ h. Press **F3** once to return to the *Hardware Service Manager* display.
  - \_\_ i. At the *Hardware Service Manager* display, press **F6** to print the configuration list if you have a printer. You or a service representative may refer to the configuration list in the future.
  - \_\_ j. Press **F12** twice and press the Enter key to return to the Main Menu.
  - \_\_ k. Your feature install is complete.

---

## Chapter 7. Replace concurrent removable media backplane


To replace feature 5306 concurrent removable media backplane, follow these steps:

- \_\_ 1. Perform prerequisite tasks as described in Chapter 2, "Before you begin," on page 3.
- \_\_ 2. "Power down the system unit" on page 31.
- \_\_ 3. Remove the front cover.



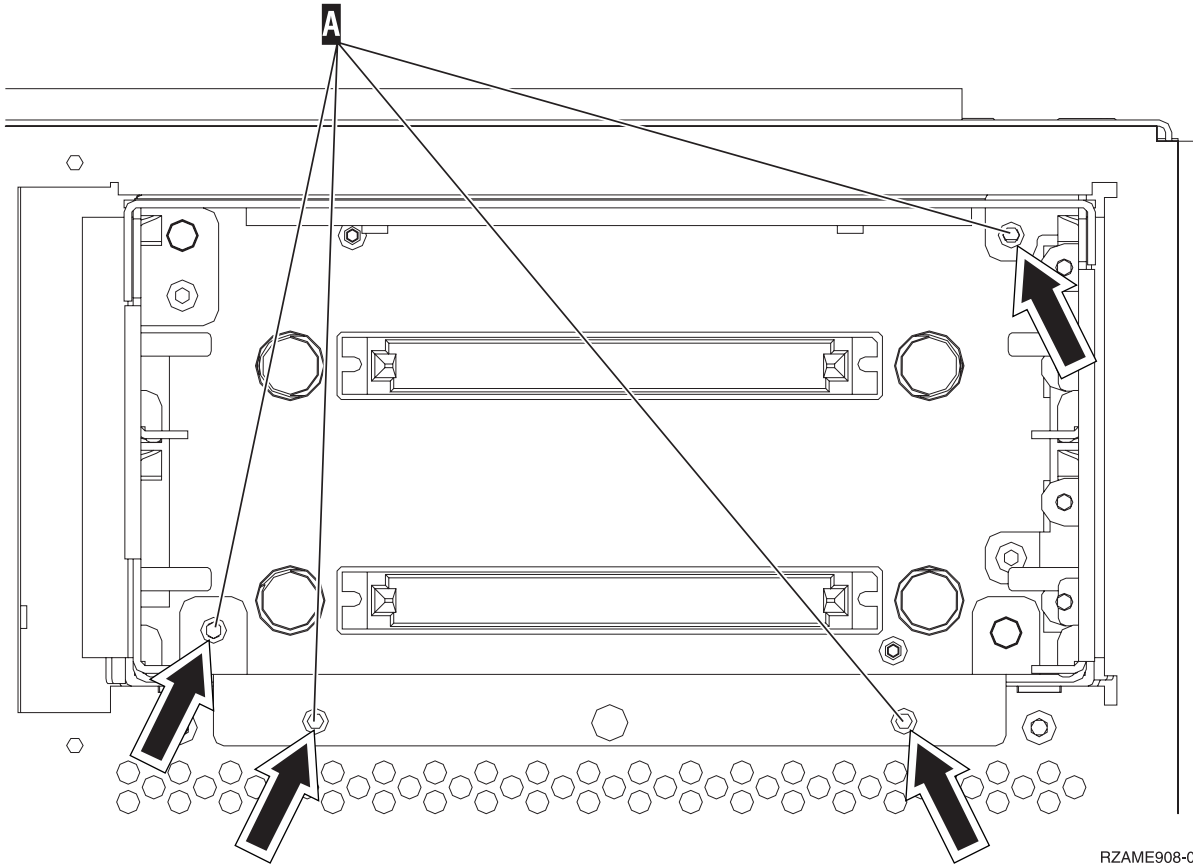
- \_\_ 4. **If possible, use a wrist strap to prevent electrostatic discharge from damaging your hardware.** If you do not have a wrist strap, touch a metal surface of the system or expansion unit before installing or replacing hardware.

If you received the 2209 Disposable Wrist Strap, follow these steps:

- \_\_ a. Attach the disposable wrist strap.  View video.
- \_\_ b. When you unroll the strap, remove the liner from the copper foil at the end.
- \_\_ c. Attach the adhesive part of the copper foil to an **exposed, unpainted** metal surface on the frame of the unit.

**Note:** Follow the same precautions you would use without the wrist strap. The 2209 Disposable Wrist Strap is for static control. It will not increase or decrease your risk of receiving electric shock when using or working on electrical equipment.

- \_\_ 5. Remove the media devices from the unit.
- \_\_ 6. Remove the screws **A**.



RZAME908-0

- \_\_ 7. Slowly slide the removable media enclosure from the system.
- \_\_ 8. Disconnect the signal and power cables from the back of the removable media enclosure.
- \_\_ 9. Follow the steps in “Details: Install concurrent removable media backplane” on page 28 to install the removable media backplane.



---

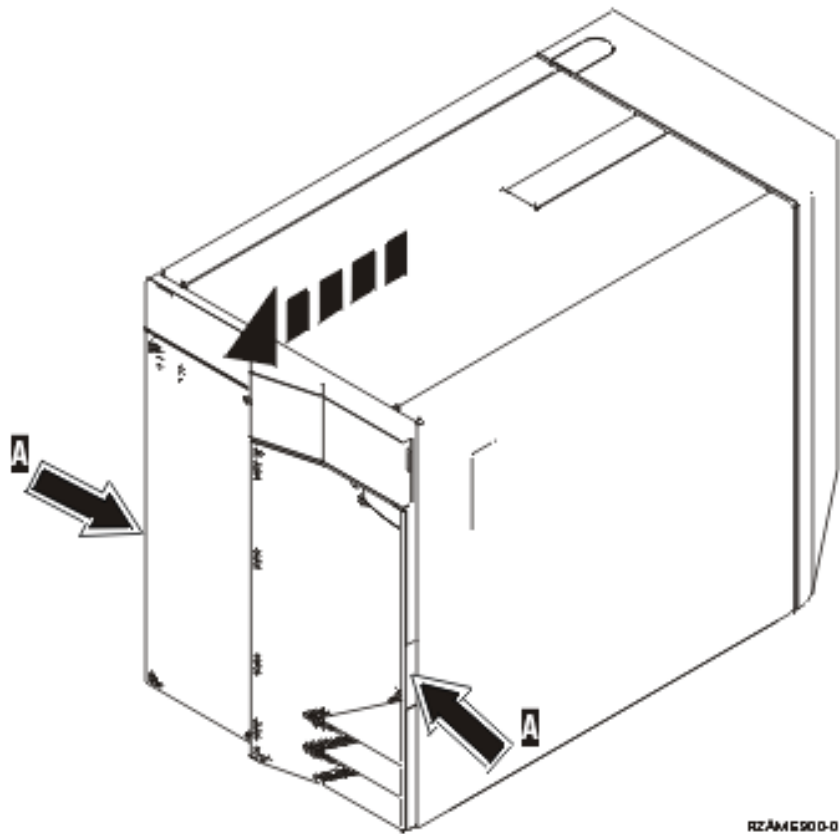
## Chapter 8. Install concurrent removable media backplane

To install feature 5306 concurrent removable media backplane, follow these steps:

- \_\_ 1. Perform prerequisite tasks as described in Chapter 2, "Before you begin," on page 3.
- \_\_ 2. "Power down the system unit" on page 31.


**Note:** Should you encounter difficulties during the installation, contact your authorized dealer or service provider.

- \_\_ 3. Remove the front cover.



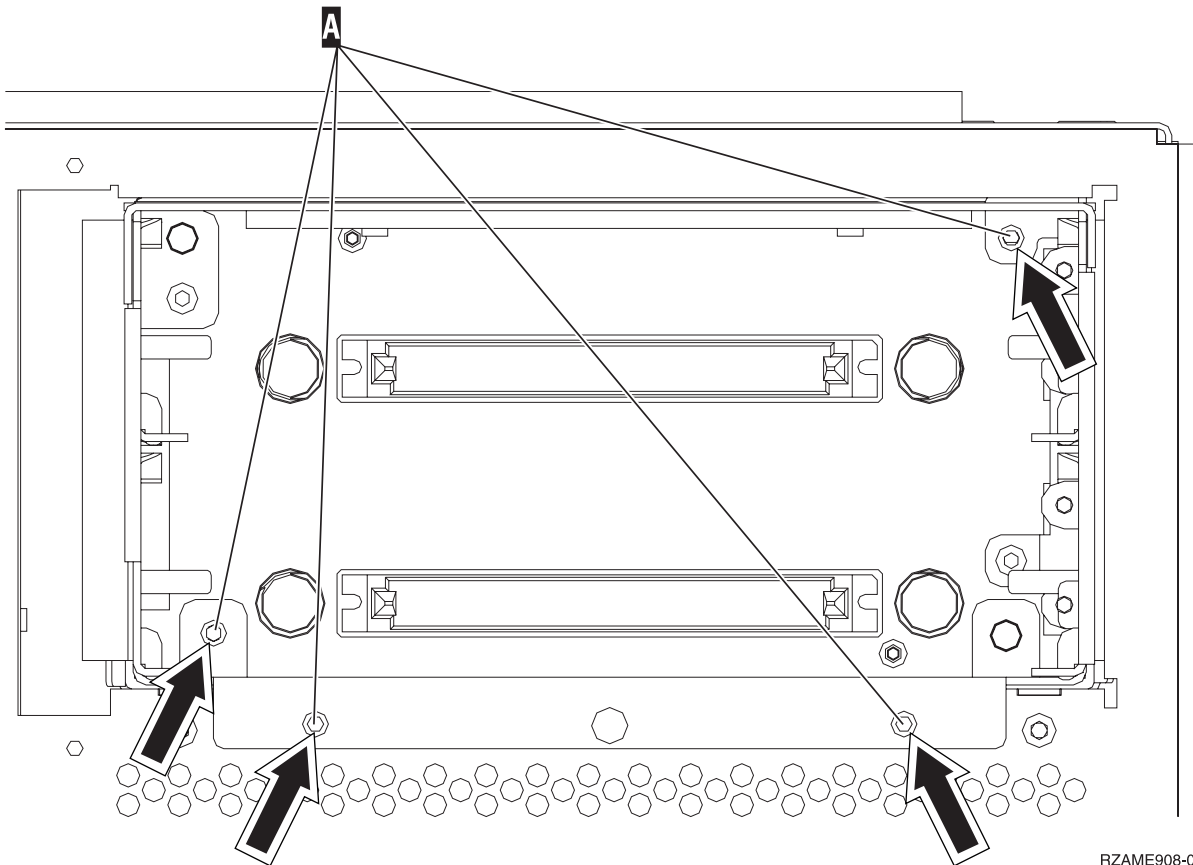
- \_\_ 4. **If possible, use a wrist strap to prevent electrostatic discharge from damaging your hardware.** If you do not have a wrist strap, touch a metal surface of the system or expansion unit before installing or replacing hardware.

If you received the 2209 Disposable Wrist Strap, follow these steps:

- \_\_ a. Attach the disposable wrist strap.  View video.
- \_\_ b. When you unroll the strap, remove the liner from the copper foil at the end.
- \_\_ c. Attach the adhesive part of the copper foil to an **exposed, unpainted** metal surface on the frame of the unit.

**Note:** Follow the same precautions you would use without the wrist strap. The 2209 Disposable Wrist Strap is for static control. It will not increase or decrease your risk of receiving electric shock when using or working on electrical equipment.

- \_\_ 5. Remove the media devices from the unit.
- \_\_ 6. Remove the screws **A**.



RZAME908-0

- \_\_ 7. Slowly slide the removable media enclosure from the system.
- \_\_ 8. Disconnect the signal and power cables from the back of the removable media enclosure.
- \_\_ 9. Follow the steps in “Details: Install concurrent removable media backplane” to install the removable media backplane.

## Details: Install concurrent removable media backplane

To install feature 5306 concurrent removable media backplane, follow these steps:

**Note:** The figures in these instructions may not look exactly like the server that you have. However, the steps to perform the task are the same.

- \_\_ 1. Find the package that contains the new removable media enclosure and remove it from the package.
- \_\_ 2. Reconnect the signal and power cables to the new removable media device.
- \_\_ 3. Align the enclosure and slide it into the front of the system unit.
- \_\_ 4. Reinstall the screws.
- \_\_ 5. Align and slide in the removable media devices. Push both handles in at the same time to lock the media device into place.
- \_\_ 6. Install the front cover.

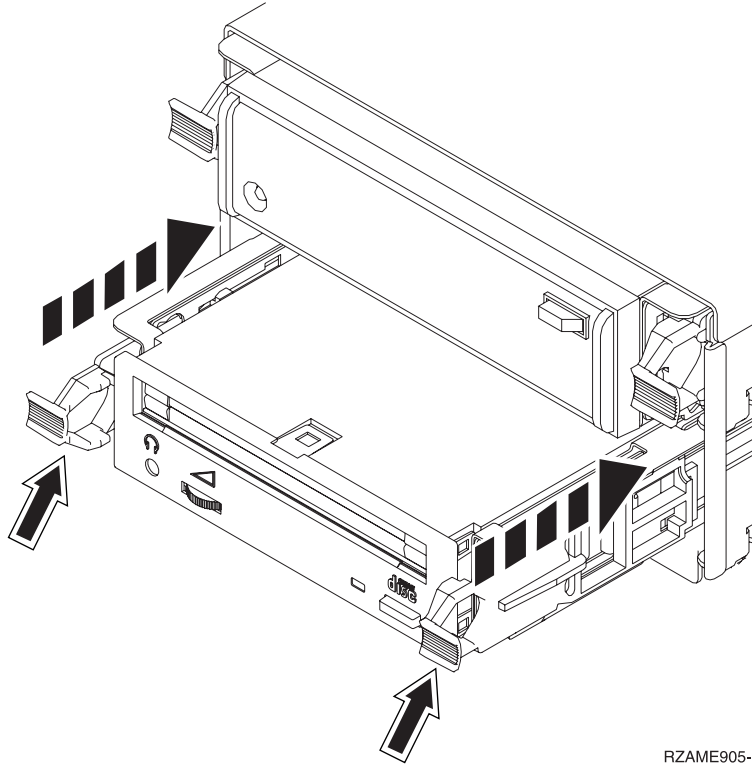
## DANGER

An electrical outlet that is not correctly wired could place hazardous voltage on metal parts of the system or the products that attach to the system. It is the customer's responsibility to ensure that the outlet is correctly wired and grounded to prevent an electrical shock. (RSFTD201)

- \_\_\_ 7. Plug in the system unit and system unit console. Plug in everything you previously unplugged such as printers and displays.
- \_\_\_ 8. Power on all attached devices, such as printers and displays.
- \_\_\_ 9. Look at the Function/Data display on the control panel.
- \_\_\_ 10. Does **01 B V=S** with Normal indicator (**OK**) illuminated appear in the Function/Data display?
  - \_\_\_ **Yes:** Continue with the next step.
  - \_\_\_ **No:** Do the following:
    - \_\_\_ a. Press the Mode Select button until the Manual indicator (a small hand) is illuminated.
    - \_\_\_ b. Press the Increment/Decrement push button until **02** appears in the Function/Data display.
    - \_\_\_ c. Press the Enter push button on the control panel.
    - \_\_\_ d. Press the Increment/Decrement push button until **B** appears in the Function/Data display.
    - \_\_\_ e. Press the Enter push button on the control panel.
    - \_\_\_ f. Press the Increment/Decrement push button until **S** appears in the Function/Data display
    - \_\_\_ g. Press the Enter push button on the control panel.
    - \_\_\_ h. Press the Mode Select button until the Normal indicator (**OK**) illuminated.
    - \_\_\_ i. Press the Increment/Decrement push button until **01** appears in the Function/Data display.
    - \_\_\_ j. Press the Enter push button on the control panel.

**01 B S** with Normal indicator (**OK**) illuminated should appear in the Function/Data display. If it does not appear, repeat steps 10a through 10j.
- \_\_\_ 11. Power on the workstation or PC that is the console for your system.
- \_\_\_ 12. Press the power button to power on your system unit.
- \_\_\_ 13. Sign on the system unit. Ensure that you have service tools authority.
- \_\_\_ 14. Do the following to verify your removable media backplane:
  - \_\_\_ a. On a command line, type: **strsst**. Press the Enter key.
  - \_\_\_ b. Type **your service tools user ID and service tools password** on the *System Service Tools (SST) Sign On* display.
  - \_\_\_ c. When the *System Service Tools (SST)* display appears, select the **Start a service tool** option. Press the Enter key.
  - \_\_\_ d. When the *Start a Service Tool* display appears, select the **Hardware service manager** option. Press the Enter key.
  - \_\_\_ e. At the *Hardware Service Manager* display, select the **Device Concurrent Maintenance** option. Press the Enter key.
  - \_\_\_ f. At the *Specify either Physical Location or Resource Name* field, type:
    - 1) The number 1 for Frame ID.
    - 2) The physical location (D17 is the upper location and D18 is the lower location).
  - \_\_\_ g. Select option **1** (Remove device) for the action to be performed.

- \_\_ h. Set the time delay for one minute—01. (Do not press Enter at this time.)
- \_\_ i. When the light begins to blink rapidly, you will have nine seconds to remove the device.
- \_\_ j. Press Enter on the console.
- \_\_ k. When the light starts blinking, after the one minute delay, squeeze and pull both handles on both sides of the device toward you.



RZAME905-0

- \_\_ l. Slide the device out.

**Note:** Do not hold the device by the handles.

- \_\_ m. The light will stop blinking and remain off when the device is removed.
- \_\_ n. Return to the console and wait until the *Concurrent Maintenance Results* display appears. Press **F12**.
- \_\_ o. Your feature install is complete.

---

## Power down the system unit

To power down the system unit, follow these steps:

- \_\_\_ 1. If an Integrated xSeries Adapter (IXA) is present on the system, shut it down using OS/400 options.
- \_\_\_ 2. Ensure that all jobs are complete.
- \_\_\_ 3. When all jobs are complete, power down the system by typing **pwrdownsys \*immed** on a command line and press the Enter key.
- \_\_\_ 4. When the iSeries is completely powered down, disconnect all PCs from the system unit. Power off all devices, such as printers and displays, that are connected to the system unit.
- \_\_\_ 5. Unplug any power cords, such as printers and displays, from electrical outlets.
- \_\_\_ 6. Unplug the system unit power cord from the electrical outlet.



---

## Unit Covers

Locate the diagram of the unit you are working on:

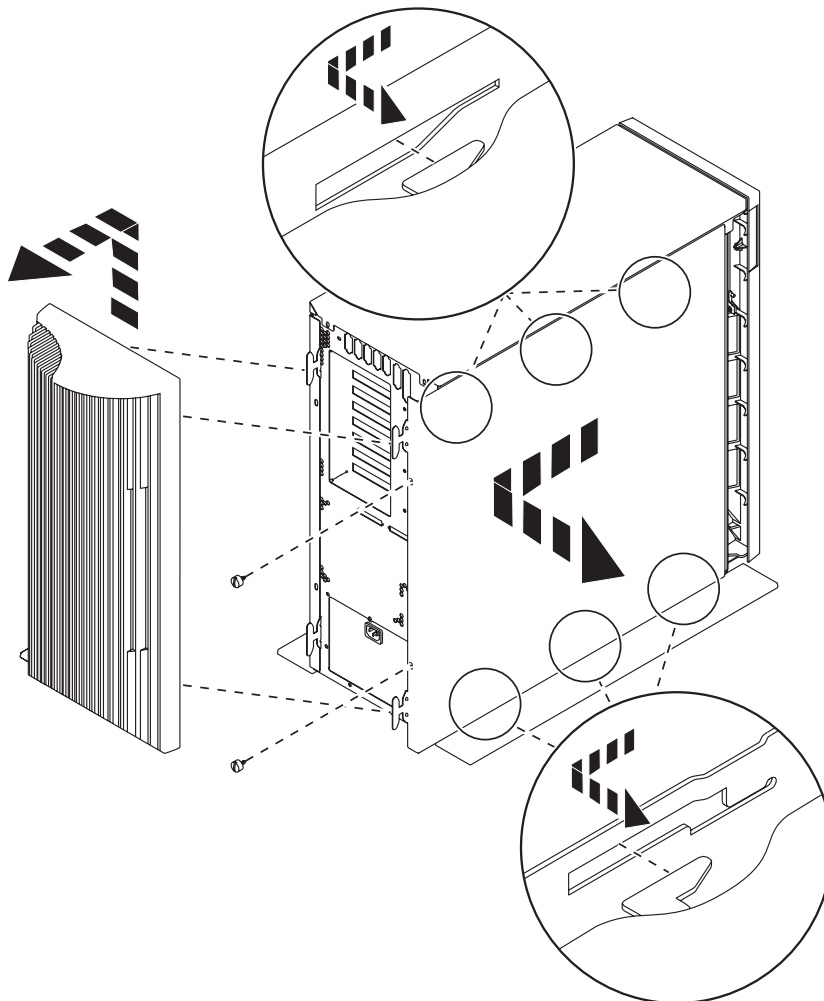
- “270, 800, 810 and 820 System Units”
- “270, 800, or 810 unit in a rack” on page 35

---

### 270, 800, 810 and 820 System Units

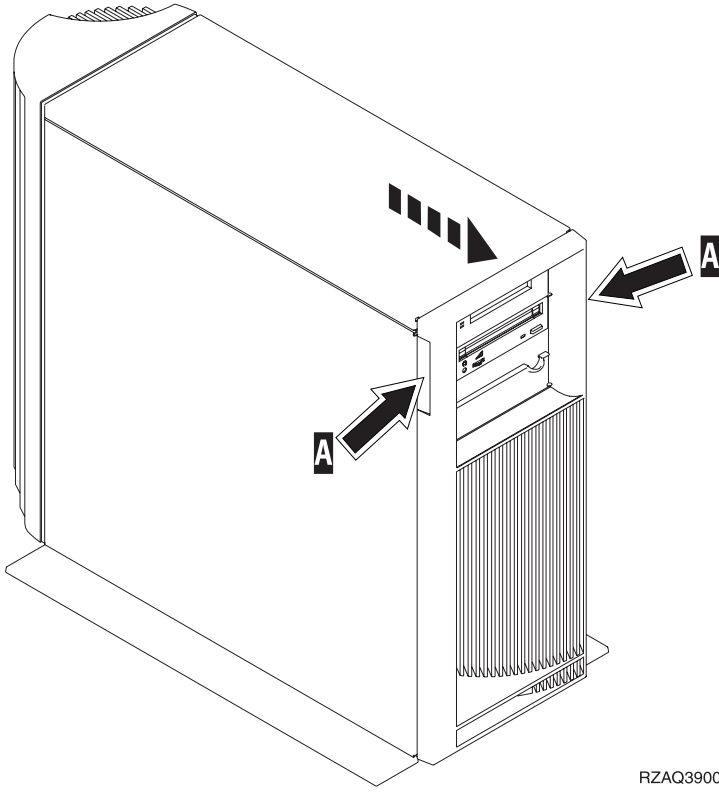
To allow access to the removable media device location, you need to remove the covers.

- \_\_\_ 1. Place your hand near the bottom of the back cover, if you have one, and lift up and out.
- \_\_\_ 2. **270, 800, and 810 units**—Remove the right side cover (view from back) by loosening the thumbscrews and sliding the cover from front to back until it stops.  
**820 unit**—Remove the left side cover (view from back) by loosening the thumbscrews and sliding the cover from front to back until it stops.
- \_\_\_ 3. Pull the cover out.



RZAQ2517-0

- \_\_\_ 4. Remove the front cover.

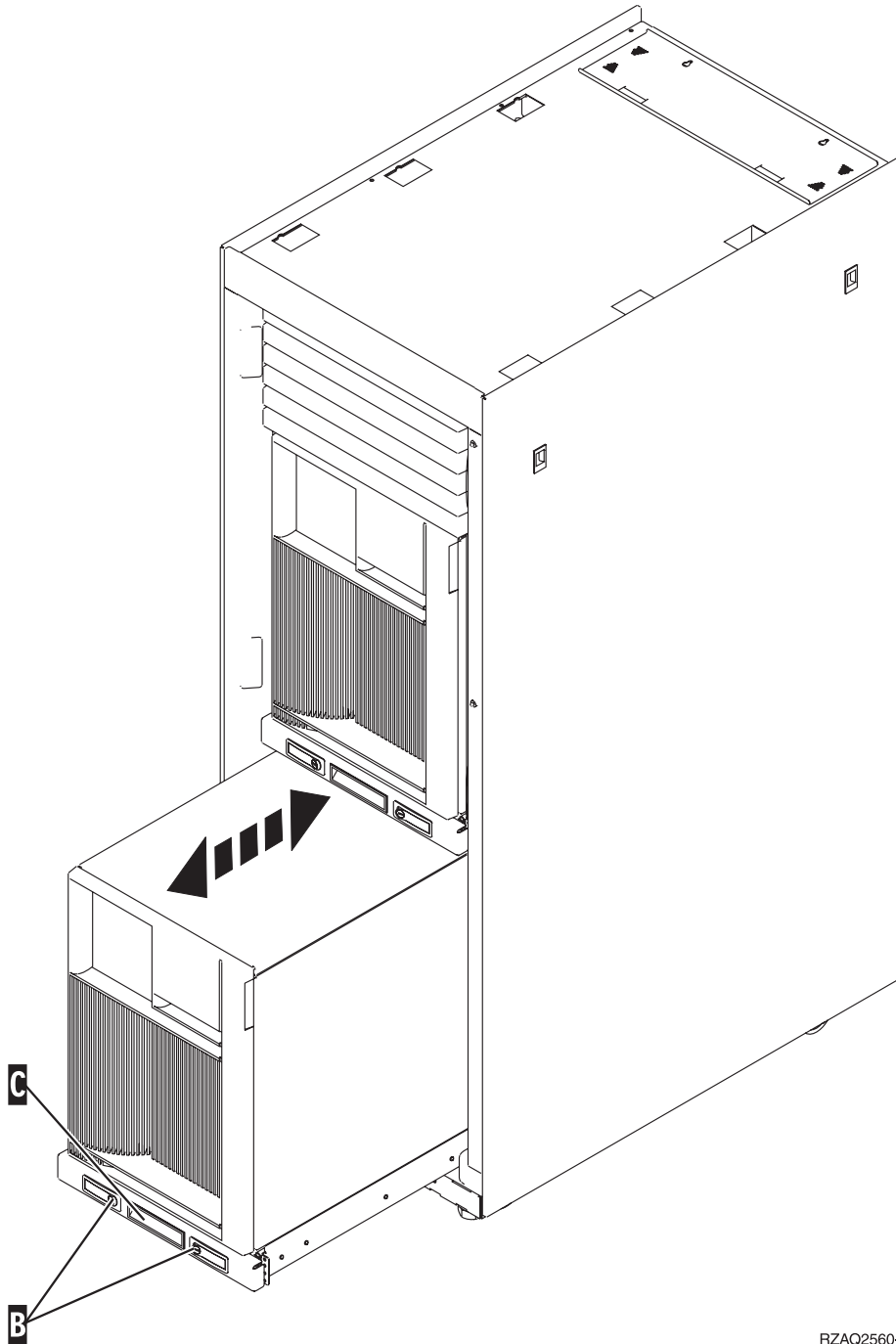


RZAQ3900-0



## 270, 800, or 810 unit in a rack

1. Press latches **B** and pull the server out using the handle **C**.



RZAQ2560-0

2. Remove the front cover. Refer to step 4 on page 33.
3. Remove the left side cover (view from front). Refer to step 3 on page 33.



---

## Appendix. Notices

This information was developed for products and services offered in the U.S.A.

IBM may not offer the products, services, or features discussed in this document in other countries. Consult your local IBM representative for information on the products and services currently available in your area. Any reference to an IBM product, program, or service is not intended to state or imply that only that IBM product, program, or service may be used. Any functionally equivalent product, program, or service that does not infringe any IBM intellectual property right may be used instead. However, it is the user's responsibility to evaluate and verify the operation of any non-IBM product, program, or service.

IBM may have patents or pending patent applications covering subject matter described in this document. The furnishing of this document does not give you any license to these patents. You can send license inquiries, in writing, to:

IBM Director of Licensing  
IBM Corporation  
North Castle Drive  
Armonk, NY 10504-1785  
U.S.A.

**The following paragraph does not apply to the United Kingdom or any other country where such provisions are inconsistent with local law:** INTERNATIONAL BUSINESS MACHINES CORPORATION PROVIDES THIS PUBLICATION "AS IS" WITHOUT WARRANTY OF ANY KIND, EITHER EXPRESS OR IMPLIED, INCLUDING, BUT NOT LIMITED TO, THE IMPLIED WARRANTIES OF NON-INFRINGEMENT, MERCHANTABILITY OR FITNESS FOR A PARTICULAR PURPOSE. Some states do not allow disclaimer of express or implied warranties in certain transactions, therefore, this statement may not apply to you.

This information could include technical inaccuracies or typographical errors. Changes are periodically made to the information herein; these changes will be incorporated in new editions of the publication. IBM may make improvements and/or changes in the product(s) and/or the program(s) described in this publication at any time without notice.

Any references in this information to non-IBM Web sites are provided for convenience only and do not in any manner serve as an endorsement of those Web sites. The materials at those Web sites are not part of the materials for this IBM product and use of those Web sites is at your own risk.

IBM may use or distribute any of the information you supply in any way it believes appropriate without incurring any obligation to you.

Any performance data contained herein was determined in a controlled environment. Therefore, the results obtained in other operating environments may vary significantly. Some measurements may have been made on development-level systems and there is no guarantee that these measurements will be the same on generally available systems. Furthermore, some measurements may have been estimated through extrapolation. Actual results may vary. Users of this document should verify the applicable data for their specific environment.

Information concerning non-IBM products was obtained from the suppliers of those products, their published announcements or other publicly available sources. IBM has not tested those products and cannot confirm the accuracy of performance, compatibility or any other claims related to non-IBM products. Questions on the capabilities of non-IBM products should be addressed to the suppliers of those products.

All statements regarding IBM's future direction or intent are subject to change or withdrawal without notice, and represent goals and objectives only.

All IBM prices shown are IBM's suggested retail prices, are current and are subject to change without notice. Dealer prices may vary.

This information is for planning purposes only. The information herein is subject to change before the products described become available.

This information contains examples of data and reports used in daily business operations. To illustrate them as completely as possible, the examples include the names of individuals, companies, brands, and products. All of these names are fictitious and any similarity to the names and addresses used by an actual business enterprise is entirely coincidental.

If you are viewing this information softcopy, the photographs and color illustrations may not appear.

The drawings and specifications contained herein shall not be reproduced in whole or in part without the written permission of IBM.

IBM has prepared this publication for use by hardware service representatives in the maintenance or repair of the specific machines indicated. IBM makes no representations that it is suitable for any other purpose.

The drawings and specifications contained herein shall not be reproduced in whole or in part without the written permission of IBM.

IBM has prepared this publication for use by customer personnel for operating and planning for the specific machines indicated. IBM makes no representations that it is suitable for any other purpose.

---

## Trademarks

The following terms are trademarks of International Business Machines Corporation in the United States, other countries, or both:

Application System/400  
AS/400  
e (logo)  
IBM  
iSeries  
Operating System/400  
OS/400  
400

Lotus, Freelance, and WordPro are trademarks of International Business Machines Corporation and Lotus Development Corporation in the United States, other countries, or both.

C-bus is a trademark of Corollary, Inc. in the United States, other countries, or both.

ActionMedia, LANDesk, MMX, Pentium, and ProShare are trademarks or registered trademarks of Intel Corporation in the United States, other countries, or both.

Microsoft, Windows, Windows NT, and the Windows logo are trademarks of Microsoft Corporation in the United States, other countries, or both.

SET and the SET Logo are trademarks owned by SET Secure Electronic Transaction LLC.

Java and all Java-based trademarks are trademarks of Sun Microsystems, Inc. in the United States, other countries, or both.

UNIX is a registered trademark of The Open Group in the United States and other countries.

Other company, product or service names may be trademarks or service marks of others.

---

## Terms and conditions for downloading and printing publications

Permissions for the use of the publications you have selected for download are granted subject to the following terms and conditions and your indication of acceptance thereof.

**Personal Use:** You may reproduce these Publications for your personal, noncommercial use provided that all proprietary notices are preserved. You may not distribute, display or make derivative works of these Publications, or any portion thereof, without the express consent of IBM.

**Commercial Use:** You may reproduce, distribute and display these Publications solely within your enterprise provided that all proprietary notices are preserved. You may not make derivative works of these Publications, or reproduce, distribute or display these Publications or any portion thereof outside your enterprise, without the express consent of IBM.

Except as expressly granted in this permission, no other permissions, licenses or rights are granted, either express or implied, to the Publications or any information, data, software or other intellectual property contained therein.

IBM reserves the right to withdraw the permissions granted herein whenever, in its discretion, the use of the Publications is detrimental to its interest or, as determined by IBM, the above instructions are not being properly followed.

You may not download, export or re-export this information except in full compliance with all applicable laws and regulations, including all United States export laws and regulations. IBM MAKES NO GUARANTEE ABOUT THE CONTENT OF THESE PUBLICATIONS. THE PUBLICATIONS ARE PROVIDED "AS-IS" AND WITHOUT WARRANTY OF ANY KIND, EITHER EXPRESSED OR IMPLIED, INCLUDING BUT NOT LIMITED TO IMPLIED WARRANTIES OF MERCHANTABILITY AND FITNESS FOR A PARTICULAR PURPOSE

All material copyrighted by IBM Corporation.

By downloading or printing a publication from this site, you have indicated your agreement with these terms and conditions.

---

## Code disclaimer information

This document contains programming examples.

IBM grants you a nonexclusive copyright license to use all programming code examples from which you can generate similar function tailored to your own specific needs.

All sample code is provided by IBM for illustrative purposes only. These examples have not been thoroughly tested under all conditions. IBM, therefore, cannot guarantee or imply reliability, serviceability, or function of these programs.

All programs contained herein are provided to you "AS IS" without any warranties of any kind. The implied warranties of non-infringement, merchantability and fitness for a particular purpose are expressly disclaimed.

---

## Electronic Emission Notices

### Federal Communications Commission (FCC) statement

**Note:** This equipment has been tested and found to comply with the limits for a Class A digital device, pursuant to Part 15 of the FCC Rules. These limits are designed to provide reasonable protection against harmful interference when the equipment is operated in a commercial environment. This equipment generates, uses, and can radiate radio frequency energy and, if not installed and used in accordance with the instruction manual, may cause harmful interference to radio communications. Operation of this equipment in a residential area is likely to cause harmful interference, in which case the user will be required to correct the interference at his own expense.

Properly shielded and grounded cables and connectors must be used in order to meet FCC emission limits. IBM is not responsible for any radio or television interference caused by using other than recommended cables and connectors or by unauthorized changes or modifications to this equipment. Unauthorized changes or modifications could void the user's authority to operate the equipment.

This device complies with Part 15 of the FCC rules. Operation is subject to the following two conditions: (1) this device may not cause harmful interference, and (2) this device must accept any interference received, including interference that may cause undesired operation.

Responsible Party:

International Business Machines Corporation  
New Orchard Road  
Armonk, NY 10504

Telephone: 1-919-543-2193

### Industry Canada Compliance Statement

This Class A digital apparatus meets the requirements of the Canadian Interference-Causing Equipment Regulations.

### Avis de conformité à la réglementation d'Industrie Canada

Cet appareil numérique de la classe A respecte toutes les exigences du Règlement sur le matériel brouilleur du Canada.

### European Community Compliance Statement

This product is in conformity with the protection requirements of EU Council Directive 89/336/EEC on the approximation of the laws of the Member States relating to electromagnetic compatibility. IBM cannot accept responsibility for any failure to satisfy the protection requirements resulting from a non-recommended modification of the product, including the fitting of non-IBM option cards.

### Australia and New Zealand Class A statement

**Attention:** This is a Class A product. In a domestic environment this product may cause radio interference in which case the user may be required to take adequate measures.

### VCCI Statement - Japan

この装置は、クラス A 情報技術装置です。この装置を家庭環境で使用する  
と電波妨害を引き起こすことがあります。この場合には使用者が適切な対策  
を講ずるよう要求されることがあります。 VCCI-A

The following is a summary of the VCCI Japanese statement in the box above.

This is a Class A product based on the standard of the Voluntary Control Council for Interference by Information Technology Equipment (VCCI). If this equipment is used in a domestic environment, radio disturbance may arise. When such trouble occurs, the user may be required to take corrective actions.

#### Electromagnetic Interference (EMI) Statement - People's Republic of China

Per GB 9254-1998, the user manual for a Class A product must carry the following warning message (English translation from the Chinese standard) about use in a residential environment in Chinese (*Simplified Chinese*):

**声 明**

此为 A 级产品,在生活环境  
中,该产品可能会造成无线电干  
扰。在这种情况下,可能需要用  
户对其干扰采取切实可行的措  
施。

Declaration: This is a Class A product. In a domestic environment this product may cause radio interference in which case the user may need to perform practical action.

#### Electromagnetic Interference (EMI) Statement - Taiwan

**警告使用者：**

這是甲類的資訊產品，在  
居住的環境中使用時，可  
能會造成射頻干擾，在這  
種情況下，使用者會被要  
求採取某些適當的對策。

The following is a summary of the EMI Taiwan statement above.

Warning: This is a Class A product. In a domestic environment this product may cause radio interference in which case the user will be required to take adequate measures.

#### Radio Protection for Germany

Dieses Gerät ist berechtigt in Übereinstimmung mit Dem deutschen EMVG vom 9.Nov.92 das EG-Konformitätszeichen zu führen.

Der Aussteller der Konformitätserklärung ist die IBM Germany.

Dieses Gerät erfüllt die Bedingungen der EN 55022 Klasse A. Für diese von Geräten gilt folgende Bestimmung nach dem EMVG:

Geräte dürfen an Orten, für die sie nicht ausreichend entstört sind, nur mit besonderer Genehmigung des Bundesministers für Post und Telekommunikation oder des Bundesamtes für Post und Telekommunikation betrieben werden. Die Genehmigung wird erteilt, wenn keine elektromagnetischen Störungen zu erwarten sind.

(Auszug aus dem EMVG vom 9.Nov.92, Para.3, Abs.4)

#### Hinweis

Dieses Genehmigungsverfahren ist von der Deutschen Bundespost noch nicht veröffentlicht worden.

---

## **Electronic Emission Notices**

The following Statement applies to this IBM product. The statement for other IBM products intended for use with this product will appear in their accompanying manuals.

### **Federal Communications Commission (FCC) statement**

**Note:** This equipment has been tested and found to comply with the limits for a class B digital device, pursuant to Part 15 of the FCC Rules. These limits are designed to provide reasonable protection against harmful interference in a residential installation. This equipment generates, uses, and can radiate radio frequency energy and, if not installed and used in accordance with the instructions, may cause harmful interference to radio communications. However, there is no guarantee that interference will not occur in a particular installation. If this equipment does cause harmful interference to radio or television reception, which can be determined by turning the equipment off and on, the user is encouraged to try to correct the interference by one or more of the following measures:

- Reorient or relocate the receiving antenna.
- Increase the separation between the equipment and receiver.
- Connect the equipment into an outlet on a circuit different from that to which the receiver is connected.
- Consult an IBM authorized dealer or service representative for help.

Properly shielded and grounded cables and connectors must be used in order to meet FCC emission limits. Proper cables and connectors are available from IBM authorized dealers. IBM is not responsible for any radio or television interference caused by using other than recommended cables or connectors or by unauthorized changes or modifications to this equipment. Unauthorized changes or modifications could void the user's authority to operate the equipment.

This device complies with Part 15 of the FCC Rules. Operation is subject to the following two conditions: (1) this device may not cause harmful interferences, and (2) this device must accept any interferences received, including interference that may cause undesired operation.

Responsible Party:

International Business Machines Corporation  
New Orchard Road  
Armonk, NY 10504

Telephone: 1-919-543-2193

### **Industry Canada Compliance Statement**

This Class B digital apparatus meets the requirements of the Canadian Interference-Causing Equipment Regulations.



### **Avis de conformité à la réglementation d'Industrie Canada**

Cet appareil numérique de la classe B respecte toutes les exigences du Règlement sur le matériel brouilleur du Canada.

### **European Community Compliance Statement**

This product is in conformity with the protection requirements of EC Council Directive 89/336/EEC on the approximation of the laws of the Member States relating to electromagnetic compatibility. IBM cannot accept responsibility for any failure to satisfy the protection requirements resulting from a non-recommended modification of the product, including the fitting of non-IBM option cards.

This product has been tested and found to comply with the limits for Class B Information Technology Equipment according to CISPR 22 / European Standard EN 55022. The limits for Class B equipment were derived for typical residential environments to provide reasonable protection against interference with licensed communication devices.

Properly shielded and grounded cables and connectors (IBM part number 75G5958 or its equivalent) must be used in order to reduce the potential for causing interference to radio and TV communications and to other electrical or electronic equipment. Such cables and connectors are available from IBM authorized dealers. IBM cannot accept responsibility for an interference caused by using other than recommended cables and connectors.







Printed in USA