



iSeries 830, 840, 870 or 890  
5074, 5079, 5094, 5095 or 8093

## Removable Media Device

*Version 5*







iSeries 830, 840, 870 or 890  
5074, 5079, 5094, 5095 or 8093

## Removable Media Device

*Version 5*

**Note**

Before using this information and the product it supports, be sure to read the information in "Notices," on page 17.

**Fourth Edition (August 2005)**

This edition applies to version 5, release 3, modification 0 of IBM Operating System/400® (product number 5722-SS1) and to all subsequent releases and modifications until otherwise indicated in new editions. This version does not run on all reduced instruction set computer (RISC) models nor does it run on CISC models.

© Copyright International Business Machines Corporation 2000, 2005. All rights reserved.

US Government Users Restricted Rights – Use, duplication or disclosure restricted by GSA ADP Schedule Contract with IBM Corp.

---

# Contents

<b>Removable media device . . . . .</b>	<b>1</b>
Before you begin . . . . .	1
Replace removable media devices . . . . .	2
Replace removable media devices with system powered on. . . . .	3
Replace removable media devices with system powered off . . . . .	5
Install removable media devices . . . . .	6
Install removable media devices with system powered on. . . . .	9
Install removable media devices with system powered off . . . . .	11
Power down the system or expansion unit . . . . .	14

<b>Appendix. Notices . . . . .</b>	<b>17</b>
Trademarks . . . . .	18
Terms and conditions for downloading and printing publications . . . . .	19
Code disclaimer information. . . . .	20
Electronic Emission Notices . . . . .	20
Federal Communications Commission (FCC) statement . . . . .	20
Electronic Emission Notices . . . . .	22
Federal Communications Commission (FCC) statement . . . . .	22



---

## Removable media device

Replacing and installing this feature are customer tasks. When you use these instructions, you will perform some or all of the following tasks:

- Perform prerequisite tasks.
- Power down the system unit.
- Remove the system unit or expansion unit covers.
- Remove hardware.
- Install new hardware.
- Install covers.
- IPL your operating system.
- Verify your new hardware configuration.

It takes approximately one hour to install the hardware. You may need to allow additional time to complete your jobs, to back up your system, IPL your system, and verify your hardware configuration.

You can choose to perform these tasks yourself or contact IBM(R) or an authorized service provider to make arrangements for them to perform the tasks for a fee. Should you encounter difficulties when performing a task, contact your authorized dealer or service provider.

Select the instructions for the task you want to perform:

- “Replace removable media devices” on page 2
- “Install removable media devices” on page 6

---

## Before you begin

Before you begin a replacement or installation task, follow these steps:

- \_\_\_ 1. **For an installation and if possible, for a replacement, ensure that you have a current backup of your system (including operating system, licensed programs, and data).** If you have backed up the operating system and licensed programs since the last time you applied PTFs, that backup is acceptable.
- \_\_\_ 2. Ensure that you take a few minutes to become familiar with these instructions.
- \_\_\_ 3. Ensure that you have access to a medium flat-bladed screwdriver.
- \_\_\_ 4. If there are incorrect, missing, or visibly damaged parts, contact one of the following:
  - Your authorized service provider
  - In the United States: IBM® Rochester Manufacturing Automated Information Line (R-MAIL) at 1-800-300-8751
  - In countries outside of the United States: Use the following Web site to locate your service and support numbers:  
<http://www.ibm.com/planetwide>
- \_\_\_ 5. If you are installing new hardware in logical partitions, you need to plan and understand the requirements to be successful. Go to Logical partitions in the *Information Center*. Then return to these instructions.

- \_\_\_ 6. If you encounter difficulties during the procedure, contact your authorized service provider or your authorized dealer.
- \_\_\_ 7. Determine if there are any existing PTF prerequisites before you install your new feature. Go to the following Web site:  
[http://www-912.ibm.com/s\\_dir/slkbase.NSF/slkbase](http://www-912.ibm.com/s_dir/slkbase.NSF/slkbase)
  - a. Select **All Documents**.
  - b. Select **General Information**.
  - c. Select **Offerings**.
  - d. Select **Feature Prerequisites**.
  - e. Select **Customer Installation Features Prerequisites**.
  - f. Locate your feature number and OS/400® release, and check the prerequisites.

---

## Replace removable media devices

To replace a removable media device, perform these tasks:

- \_\_\_ 1. Perform prerequisite tasks as described in “Before you begin” on page 1.
- \_\_\_ 2. Open the front cover **A** (Figure 3 on page 7, 5074, 5094, 5095, 8093, 830, 840, 870, or 890; Figure 4 on page 8, 5079 or 5294).
- \_\_\_ 3. Use the latch that is shown **B** to remove the cover.

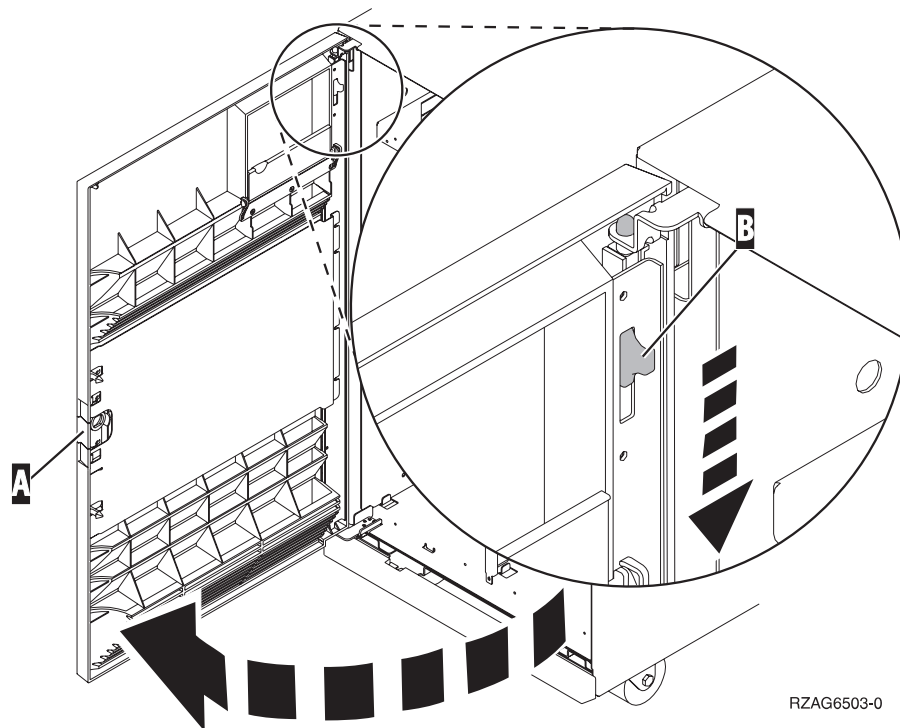
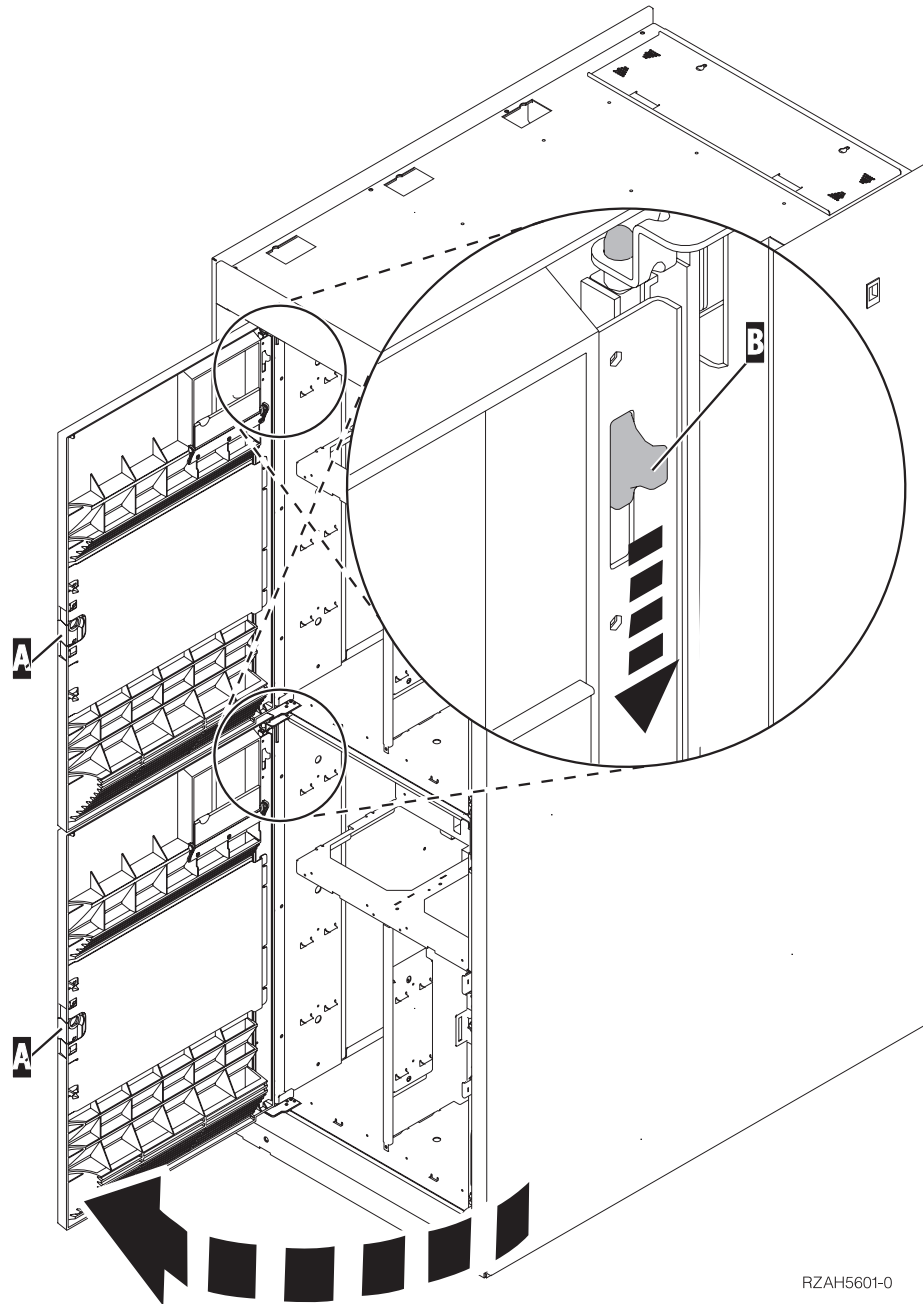


Figure 1. Opening the front cover door (5074, 5094, 5095, 8093, 830, 840, 870, 890)





RZAH5601-0

Figure 2. Opening the front cover door (5079)

Your system can either be powered off (nonconcurrent) or powered on (concurrent) when you replace the removable media device. Unless the system is already powered off, replacing the removable media with the system powered on is recommended. Select the preferred procedure from the following:

- “Replace removable media devices with system powered on”
- “Replace removable media devices with system powered off” on page 5

### **Replace removable media devices with system powered on**


Be sure you understand the steps in this procedure before you begin. If you do not feel comfortable using the concurrent procedure, go to “Replace removable media devices with system powered off” on page 5.

**Attention:** Failure to follow these instructions could result in damage to the removable media device or to the system unit and could result in loss of data.

To perform the concurrent replacement procedure, follow these steps:

- \_\_\_ 1. **If possible, use a wrist strap to prevent electrostatic discharge from damaging your hardware.** If you do not have a wrist strap, touch a metal surface of the system or expansion unit before installing or replacing hardware.

If you received the 2209 Disposable Wrist Strap, follow these steps:

- \_\_\_ a. Attach the disposable wrist strap.  View video.
- \_\_\_ b. When you unroll the strap, remove the liner from the copper foil at the end.
- \_\_\_ c. Attach the adhesive part of the copper foil to an **exposed, unpainted** metal surface on the frame of the unit.

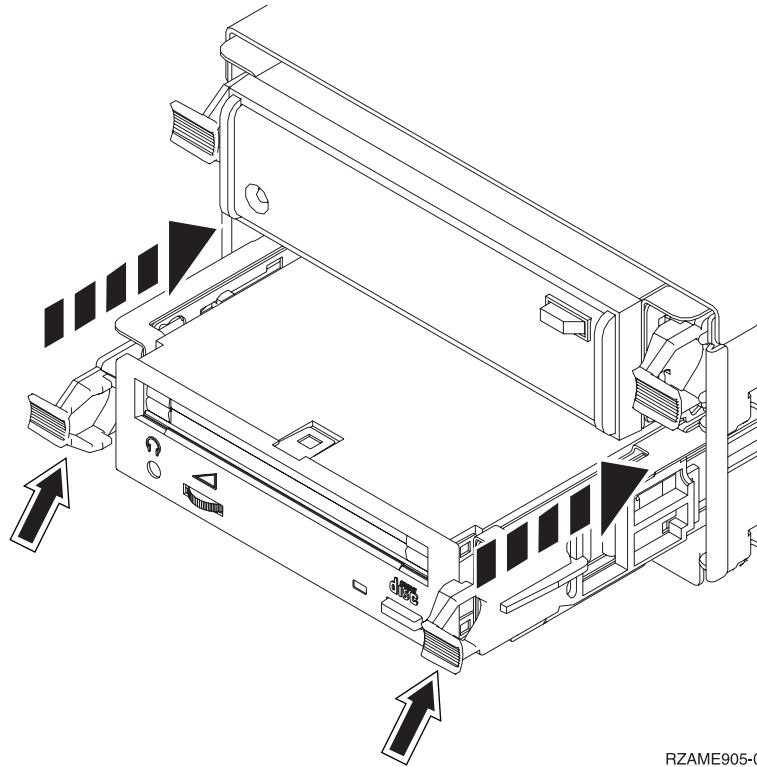
**Note:** Follow the same precautions you would use without the wrist strap. The 2209 Disposable Wrist Strap is for static control. It will not increase or decrease your risk of receiving electric shock when using or working on electrical equipment.

- \_\_\_ 2. Locate the removable media device to be replaced.
  - \_\_\_ Record the Frame ID of the system unit or expansion unit here:\_\_\_\_\_ . (The Frame ID is displayed on the front of each system unit and expansion unit.)
  - \_\_\_ Record the number of the Device Position for the removable media device to be replaced here:\_\_\_\_\_ .
- \_\_\_ 3. If you have not done so already, sign on with **service tools authority**.
- \_\_\_ 4. On an iSeries command line, type: **strsst**. Press Enter.
- \_\_\_ 5. Type **your service tools user ID and service tools password** on the *System Service Tools (SST) Sign On* display. Press Enter.
- \_\_\_ 6. When the *System Service Tools (SST)* display appears, select the **Start a service tool** option.  
Press the Enter key.
- \_\_\_ 7. When the *Start a Service Tool* menu appears, select the **Hardware service manager** option.  
Press the Enter key.
- \_\_\_ 8. At the *Hardware Service Manager* display, select the **Device Concurrent Maintenance** option.  
Press the Enter key.
- \_\_\_ 9. At the *Specify either Physical Location or Resource Name* field, type:
  - a. The number that you recorded for the Frame ID.
  - b. The number that you recorded for the physical location.
- \_\_\_ 10. Select option **1** (Remove device) for the action to be performed.
- \_\_\_ 11. Set the time delay for one minute—01. **Do not press Enter at this time.**

**Note:** Watch the light on the right side of the removable media devices. When you press Enter, after a one minute delay, this light comes on and begins to blink rapidly. You then have nine seconds to remove the device into place.

- \_\_\_ 12. Press Enter on the console.

- \_\_\_ 13. When the light starts blinking, pull both handles on both sides of the device toward you.



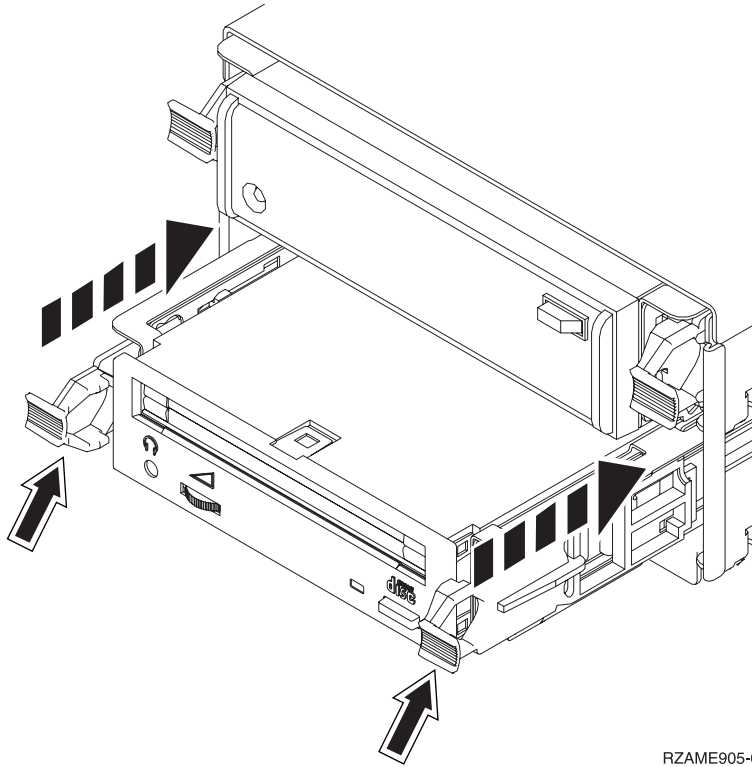
- \_\_\_ 14. Slide the device out.

**Note:** Do not hold the device by the handles.

- \_\_\_ 15. The light will stop blinking and remain off when the device is removed.
- \_\_\_ 16. Return to the console and wait until the *Concurrent Maintenance Results* display appears.  
Press **F12**.
- \_\_\_ 17. Follow the steps in “Details: Install removable media devices with system powered on” on page 10 to install the new removable media device.

## **Replace removable media devices with system powered off**

- \_\_\_ 1. If you have installed logical partitions on your system unit, refer to the *iSeries Information Center*. Go to Manage logical partitions in the *iSeries Information Center* to find instructions on powering down a system with logical partitions.
- \_\_\_ 2. Locate the device you want to replace.
- \_\_\_ 3. Pull both handles on both sides of the device toward you.



RZAME905-0

- \_\_\_ 4. Slide the device out.

**Note:** Do not hold the device by the handles.

- \_\_\_ 5. Follow the instructions in “Details: Install removable media devices with system powered off” on page 12 to install the new removable media device.

---

## Install removable media devices

This procedure gives you the steps you need to install removable media devices in your expansion unit. It will help you to decide between a concurrent removable media device installation and a power down removable media device installation. During a concurrent installation, you do not power down your expansion unit.

If you encounter difficulties during the installation, contact your authorized dealer or service provider.

- \_\_\_ 1. Is your system unit powered off?
  - \_\_\_ **No:** Continue with the next step.
  - \_\_\_ **Yes:** Go to step 4 on page 15.
- \_\_\_ 2. Open the front cover **A** (Figure 3 on page 7, 5074, 5094, 5095, 8093, 830, 840, 870, or 890; Figure 4 on page 8, 5079 or 5294).
- \_\_\_ 3. Use the latch that is shown **B** to remove the cover.

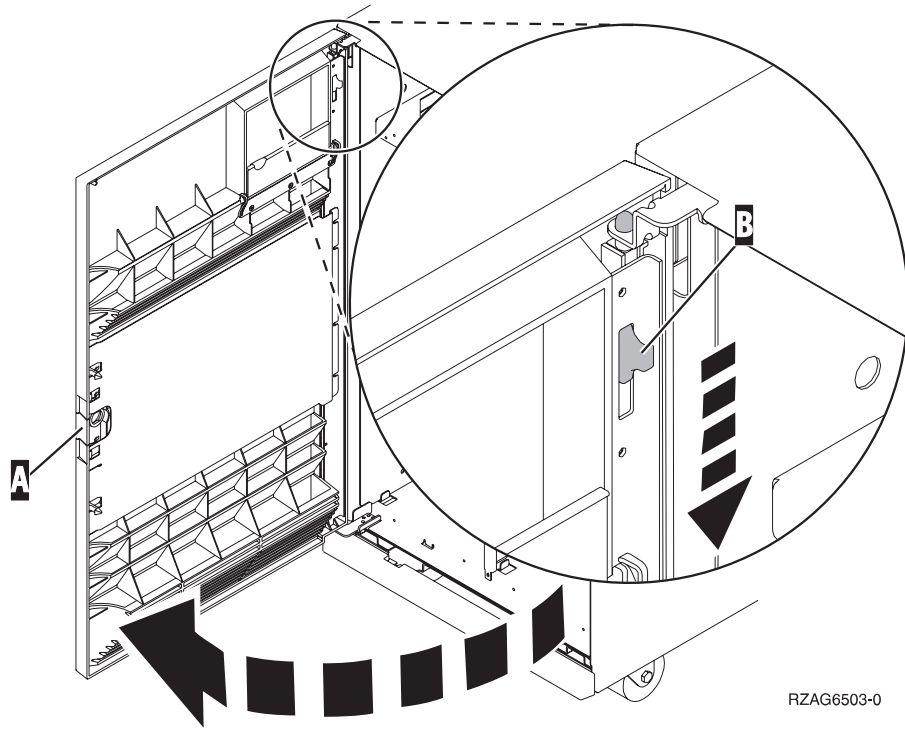
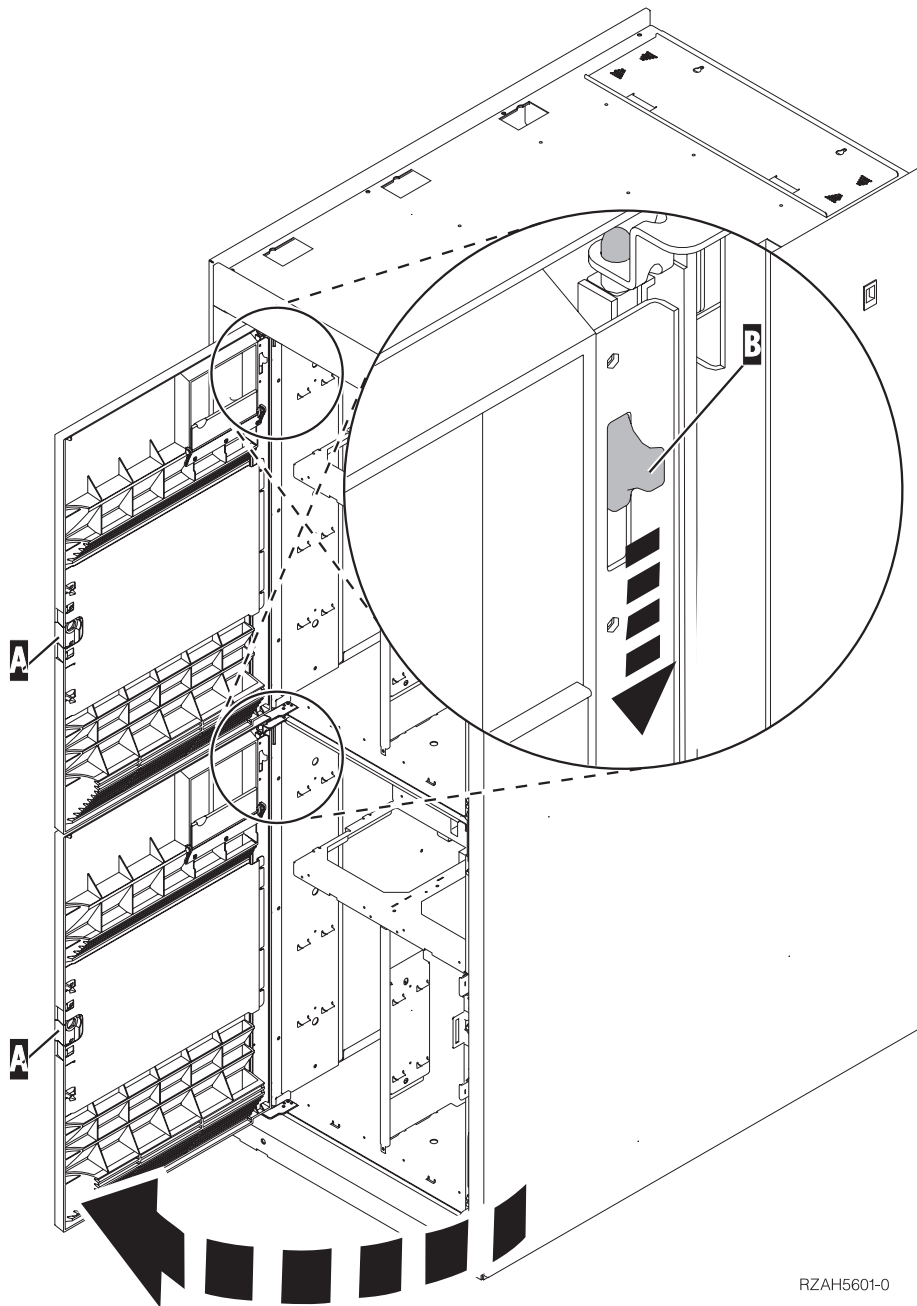


Figure 3. Opening the front cover door (5074, 5094, 5095, 8093, 830, 840, 870, 890)




RZAH5601-0

Figure 4. Opening the front cover door (5079)

- \_\_\_ 4. **If possible, use a wrist strap to prevent electrostatic discharge from damaging your hardware.** If you do not have a wrist strap, touch a metal surface of the system or expansion unit before installing or replacing hardware.

If you received the 2209 Disposable Wrist Strap, follow these steps:

- \_\_\_ a. Attach the disposable wrist strap.  [View video.](#)
- \_\_\_ b. When you unroll the strap, remove the liner from the copper foil at the end.
- \_\_\_ c. Attach the adhesive part of the copper foil to an **exposed, unpainted** metal surface on the frame of the unit.

**Note:** Follow the same precautions you would use without the wrist strap. The 2209 Disposable Wrist Strap is for static control. It will not increase or decrease your risk of receiving electric shock when using or working on electrical equipment.

- \_\_\_ 5. Be sure you understand the steps in “Install removable media devices with system powered on” before you begin. If you do not feel comfortable using the concurrent procedure, go to “Install removable media devices with system powered off” on page 11.

## Install removable media devices with system powered on

Be sure you understand the steps in this procedure before you begin. If you do not feel comfortable using the concurrent procedure, go to “Install removable media devices with system powered off” on page 11.


**Attention:** Failure to follow these instructions could result in damage to the removable media device or to the system unit and could result in loss of data.

To perform the concurrent installation, follow these steps:

- \_\_\_ 1. If you have not done so already, sign on with **service tools authority**.
- \_\_\_ 2. On an iSeries command line, type: **strsst**. Press Enter.
- \_\_\_ 3. Type **your service tools user ID and service tools password** on the *System Service Tools (SST) Sign On* display. Press Enter.
- \_\_\_ 4. When the *System Service Tools (SST)* display appears, select the **Start a service tool** option.  
Press the Enter key.
- \_\_\_ 5. When the *Start a Service Tool* menu appears, select the **Hardware service manager** option.  
Press the Enter key.
- \_\_\_ 6. When the *Hardware Service Manager* menu appears, select the **Packaging hardware resources (system, frames, cards...)** option.  
Press the Enter key.
- \_\_\_ 7. On the *Packaging Hardware Resources* menu, locate the expansion unit in which you are installing the removable media device.
- \_\_\_ 8. Once you locate your expansion unit, look at the *Frame ID* field. (The Frame ID is also displayed on the front of each expansion unit.)
- \_\_\_ 9. Write the number that appears in the *Frame ID* field here: \_\_\_\_\_ .
- \_\_\_ 10. Look at the label on the inside of the front cover of the expansion unit indicated in step 9. Find the position where you will be installing your removable media device.
- \_\_\_ 11. Write the number that appears in the *Phys* column for your device here: \_\_\_\_\_ . This number is the Device Position.
- \_\_\_ 12. Return to the *Hardware Service Manager* menu by pressing **F3** once.
- \_\_\_ 13. At the *Hardware Service Manager* display, select the **Device Concurrent Maintenance** option.  
Press the Enter key.
- \_\_\_ 14. At the *Specify either Physical Location or Resource Name* field, type:
  - a. The number you determined in step 9 for Frame ID.
  - b. The physical location you determined in step 11 for Position.
- \_\_\_ 15. Pull out the removable media filler bezel from the location in which you are installing the new device.

- \_\_\_ 16. **If possible, use a wrist strap to prevent electrostatic discharge from damaging your hardware.** If you do not have a wrist strap, touch a metal surface of the system or expansion unit before installing or replacing hardware.

If you received the 2209 Disposable Wrist Strap, follow these steps:

- \_\_\_ a. Attach the disposable wrist strap.  View video.
- \_\_\_ b. When you unroll the strap, remove the liner from the copper foil at the end.
- \_\_\_ c. Attach the adhesive part of the copper foil to an **exposed, unpainted** metal surface on the frame of the unit.

**Note:** Follow the same precautions you would use without the wrist strap. The 2209 Disposable Wrist Strap is for static control. It will not increase or decrease your risk of receiving electric shock when using or working on electrical equipment.

- \_\_\_ 17. Follow the steps in “Details: Install removable media devices with system powered on” to install the new removable media device.

**Attention:** Removable media devices are fragile. Handle with care.

### **Details: Install removable media devices with system powered on**

To install the removable media device, follow these steps:

**Attention:** Failure to follow these instructions could result in damage to the removable media device or to the system unit and could result in loss of data.

- \_\_\_ 1. Find the package that contains the new removable media device and remove it from the static-protective package.

**Attention:** Removable media devices are fragile. Handle with care.

- \_\_\_ 2. Pull the handles out toward you before you install the removable media device into the system or expansion unit.
- \_\_\_ 3. Hold the device with the button in the upper right for tape units or lower right for CD-ROMs. Do not hold the removable media device by the handle.
- \_\_\_ 4. Refer to Figure 5 on page 11 and support the bottom of the removable media device as you slide it half way into the selected position. Do not push it any further.
- \_\_\_ 5. At the *Specify action as* field, select option **Install device**.
- \_\_\_ 6. At the *Enter a time value between 00 and 19* field, type **01** for one minute. **Do not press Enter at this time.**

**Note:** Watch the light on the right side of the removable media devices. When you press Enter, after a one-minute delay, this light comes on and begins to blink rapidly. You then have nine seconds to slide the removable media device into place.

- \_\_\_ 7. Press the Enter key.
- \_\_\_ 8. When the light starts blinking, slide the removable media device in until it seats properly. Push both handles in at the same time to lock the removable media device into place.



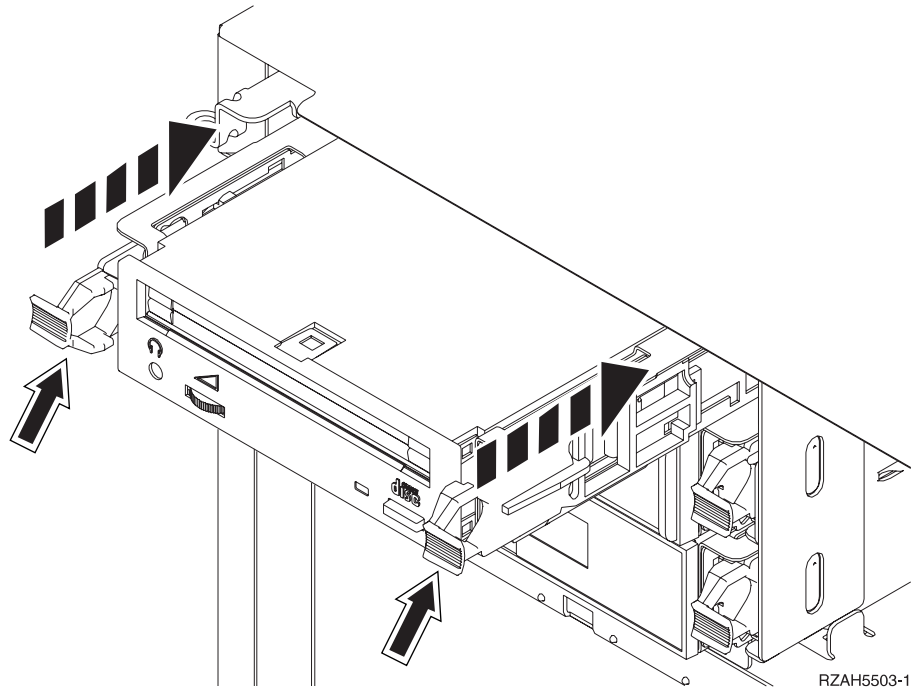


Figure 5. Installing removable media device

- \_\_\_ 9. The green light will stop blinking and remain on solid when you properly installed the removable media device.
- \_\_\_ 10. Return to the console and wait until the *Concurrent Maintenance Results* display appears.  
Press the Enter key.
- \_\_\_ 11. When the *Hardware Service Manager* menu appears, select the **Packaging hardware resources (system, frames, cards...)** option.  
Press the Enter key.
- \_\_\_ 12. On the *Packaging Hardware Resources* menu, enter a **9** in the *Opt* column next to the expansion unit with the new removable media device.  
Press the Enter key.
- \_\_\_ 13. The *Description* and *Device Type-Model* will be displayed along with the position where your new removable media device was installed.
- \_\_\_ 14. Press **F3** once to return to the *Hardware Service Manager* display.
- \_\_\_ 15. At the *Hardware Service Manager* display, press **F6** to print the configuration list if you have a printer. You or a service representative may refer to the configuration list in the future.
- \_\_\_ 16. Install the front cover for the system or expansion unit.
- \_\_\_ 17. Press **F12** twice and press the Enter key to return to the Main menu.
- \_\_\_ 18. Your feature installation is complete.


## Install removable media devices with system powered off

To install the removable media device, follow these steps:

- \_\_\_ 1. If you have installed logical partitions on your system unit, refer to the *iSeries Information Center*. Go to Manage logical partitions in the *iSeries Information Center* to find instructions on powering down a system with logical partitions.

- \_\_\_ 2. "Power down the system or expansion unit" on page 14.
- \_\_\_ 3. Open the front cover **A** (Figure 3 on page 7, 5074, 5094, 5095, 8093, 830, 840, 870, 890; Figure 4 on page 8, 5079 or 5294).
- \_\_\_ 4. If needed, use the latch that is shown at **B** to remove the front cover (Figure 3 on page 7, 5074, 5094, 5095, 8093, 830, 840, 870, 890; Figure 4 on page 8, 5079 or 5294).
- \_\_\_ 5. **If possible, use a wrist strap to prevent electrostatic discharge from damaging your hardware.** If you do not have a wrist strap, touch a metal surface of the system or expansion unit before installing or replacing hardware.

If you received the 2209 Disposable Wrist Strap, follow these steps:

- \_\_\_ a. Attach the disposable wrist strap.  View video.
- \_\_\_ b. When you unroll the strap, remove the liner from the copper foil at the end.
- \_\_\_ c. Attach the adhesive part of the copper foil to an **exposed, unpainted** metal surface on the frame of the unit.

**Note:** Follow the same precautions you would use without the wrist strap. The 2209 Disposable Wrist Strap is for static control. It will not increase or decrease your risk of receiving electric shock when using or working on electrical equipment.

- \_\_\_ 6. Pull out the removable media filler bezel from the location in which you are installing the new device.
- \_\_\_ 7. Follow the steps in "Details: Install removable media devices with system powered off" to install the new removable media device.

### **Details: Install removable media devices with system powered off**

To install the removable media device, follow these steps:

- \_\_\_ 1. Find the package that contains the new device and remove it from the static-protective package.  
**Attention:** Removable media devices are fragile. Handle with care.
- \_\_\_ 2. Hold the device upright and pull both handles on both sides of the device toward you.
- \_\_\_ 3. Hold the device with the button in the upper right for tape units or lower right for CD-ROMs. Do not hold the device by the handles.
- \_\_\_ 4. Refer to Figure 6 on page 13 and align the device with the position where you removed the filler bezel.
- \_\_\_ 5. Slide it into the unit until it **stops**.
- \_\_\_ 6. Push both handles in at the same time to lock the removable media device into place.

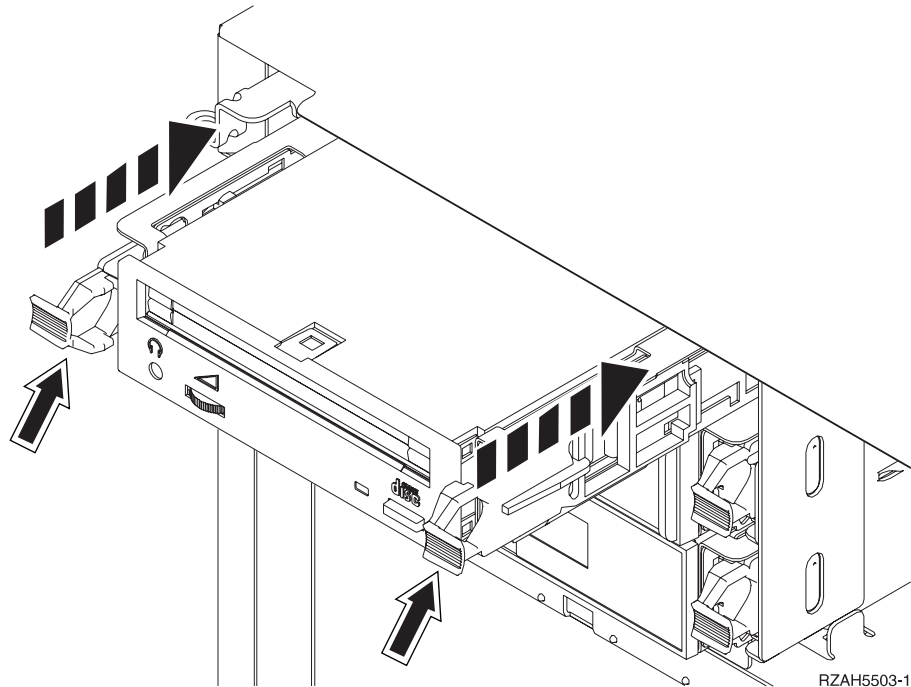


Figure 6. Installing removable media device

- \_\_\_ 7. Do you have any other devices to install?
  - \_\_\_ **No:** Continue with the next step.
  - \_\_\_ **Yes:** If you have another device such as a tape unit or a CD-ROM drive, refer to the instructions that came with that device.
- \_\_\_ 8. Install the front cover.

**DANGER**

An electrical outlet that is not correctly wired could place hazardous voltage on metal parts of the system or the products that attach to the system. It is the customer's responsibility to ensure that the outlet is correctly wired and grounded to prevent an electrical shock. (RSFTD201)

- \_\_\_ 9. Plug in the system unit and system unit console. Plug in everything you previously unplugged such as printers and displays.
- \_\_\_ 10. Power on all attached devices, such as printers and displays.
- \_\_\_ 11. Look at the Function/Data display on the control panel.
- \_\_\_ 12. Does **01 B V=S** with Normal indicator (**OK**) illuminated appear in the Function/Data display?
  - \_\_\_ **Yes:** Continue with the next step.
  - \_\_\_ **No:** Do the following:
    - \_\_\_ a. Press the Mode Select button until the Manual indicator (a small hand) is illuminated.
    - \_\_\_ b. Press the Increment/Decrement push button until **02** appears in the Function/Data display.
    - \_\_\_ c. Press the Enter push button on the control panel.
    - \_\_\_ d. Press the Increment/Decrement push button until **B** appears in the Function/Data display.

- \_\_\_ e. Press the Enter push button on the control panel.
- \_\_\_ f. Press the Increment/Decrement push button until **S** appears in the Function/Data display
- \_\_\_ g. Press the Enter push button on the control panel.
- \_\_\_ h. Press the Mode Select button until the Normal indicator (**OK**) illuminated.
- \_\_\_ i. Press the Increment/Decrement push button until **01** appears in the Function/Data display.
- \_\_\_ j. Press the Enter push button on the control panel.  
**01 B S** with Normal indicator (**OK**) illuminated should appear in the Function/Data display. If it does not appear, repeat steps 12a on page 13 through 12j.
- \_\_\_ 13. Power on the workstation or PC that is the console for your system.
- \_\_\_ 14. Press the power button to power on your system unit.
- \_\_\_ 15. Sign on the system unit. Ensure that you have service tools authority.
- \_\_\_ 16. Do the following to verify your removable media device configuration:
  - \_\_\_ a. On a command line, type: **strsst**. Press the Enter key.
  - \_\_\_ b. Type **your service tools user ID and service tools password** on the *System Service Tools (SST) Sign On* display.
  - \_\_\_ c. When the *System Service Tools (SST)* display appears, select the **Start a service tool** option.  
Press the Enter key.
  - \_\_\_ d. When the *Start a Service Tool* display appears, select the **Hardware service manager** option.  
Press the Enter key.
  - \_\_\_ e. When the *Hardware Service Manager* display appears, select the **Packaging hardware resources (system, frames, cards...)** option.  
Press the Enter key.
  - \_\_\_ f. On the *Packaging Hardware Resources* display, enter a **9** in the *Opt* column next to the expansion unit with the new removable media device. Use the frame ID that is displayed on the front of your expansion unit.
  - \_\_\_ g. The *Description* and *Device Type-Model* will be displayed along with the position where your new removable media device was installed.
  - \_\_\_ h. Press **F3** once to return to the *Hardware Service Manager* display.
  - \_\_\_ i. At the *Hardware Service Manager* display, press **F6** to print the configuration list if you have a printer. You or a service representative may refer to the configuration list in the future.
  - \_\_\_ j. Press **F12** twice and press the Enter key to return to the Main Menu.
  - \_\_\_ k. Your feature install is complete.

---

## Power down the system or expansion unit

To power down the system unit and any attached expansion units, follow these steps:

- \_\_\_ 1. If an Integrated xSeries Adapter (IXA) is present on the system, shut it down using OS/400 options.
- \_\_\_ 2. Ensure that all jobs are complete.
- \_\_\_ 3. Type **pwrdownsys \*immed** when all jobs are complete. Press Enter.

- \_\_\_ 4. When the iSeries power down is complete, unplug any power cords, such as printers and displays, from electrical outlets.
- \_\_\_ 5. Unplug the system unit power cord from the electrical outlet.
- \_\_\_ 6. Unplug the power cord for the system or expansion unit from the electrical outlet.



---

## Appendix. Notices

This information was developed for products and services offered in the U.S.A.

IBM may not offer the products, services, or features discussed in this document in other countries. Consult your local IBM representative for information on the products and services currently available in your area. Any reference to an IBM product, program, or service is not intended to state or imply that only that IBM product, program, or service may be used. Any functionally equivalent product, program, or service that does not infringe any IBM intellectual property right may be used instead. However, it is the user's responsibility to evaluate and verify the operation of any non-IBM product, program, or service.

IBM may have patents or pending patent applications covering subject matter described in this document. The furnishing of this document does not give you any license to these patents. You can send license inquiries, in writing, to:

IBM Director of Licensing  
IBM Corporation  
North Castle Drive  
Armonk, NY 10504-1785  
U.S.A.

**The following paragraph does not apply to the United Kingdom or any other country where such provisions are inconsistent with local law:**

INTERNATIONAL BUSINESS MACHINES CORPORATION PROVIDES THIS PUBLICATION "AS IS" WITHOUT WARRANTY OF ANY KIND, EITHER EXPRESS OR IMPLIED, INCLUDING, BUT NOT LIMITED TO, THE IMPLIED WARRANTIES OF NON-INFRINGEMENT, MERCHANTABILITY OR FITNESS FOR A PARTICULAR PURPOSE. Some states do not allow disclaimer of express or implied warranties in certain transactions, therefore, this statement may not apply to you.

This information could include technical inaccuracies or typographical errors. Changes are periodically made to the information herein; these changes will be incorporated in new editions of the publication. IBM may make improvements and/or changes in the product(s) and/or the program(s) described in this publication at any time without notice.

Any references in this information to non-IBM Web sites are provided for convenience only and do not in any manner serve as an endorsement of those Web sites. The materials at those Web sites are not part of the materials for this IBM product and use of those Web sites is at your own risk.

IBM may use or distribute any of the information you supply in any way it believes appropriate without incurring any obligation to you.

Any performance data contained herein was determined in a controlled environment. Therefore, the results obtained in other operating environments may vary significantly. Some measurements may have been made on development-level systems and there is no guarantee that these measurements will be the same on generally available systems. Furthermore, some measurements may have been estimated through extrapolation. Actual results may vary. Users of this document should verify the applicable data for their specific environment.

Information concerning non-IBM products was obtained from the suppliers of those products, their published announcements or other publicly available sources. IBM has not tested those products and cannot confirm the accuracy of performance, compatibility or any other claims related to non-IBM products. Questions on the capabilities of non-IBM products should be addressed to the suppliers of those products.

All statements regarding IBM's future direction or intent are subject to change or withdrawal without notice, and represent goals and objectives only.

All IBM prices shown are IBM's suggested retail prices, are current and are subject to change without notice. Dealer prices may vary.

This information is for planning purposes only. The information herein is subject to change before the products described become available.

This information contains examples of data and reports used in daily business operations. To illustrate them as completely as possible, the examples include the names of individuals, companies, brands, and products. All of these names are fictitious and any similarity to the names and addresses used by an actual business enterprise is entirely coincidental.

If you are viewing this information softcopy, the photographs and color illustrations may not appear.

The drawings and specifications contained herein shall not be reproduced in whole or in part without the written permission of IBM.

IBM has prepared this publication for use by hardware service representatives in the maintenance or repair of the specific machines indicated. IBM makes no representations that it is suitable for any other purpose.

The drawings and specifications contained herein shall not be reproduced in whole or in part without the written permission of IBM.

IBM has prepared this publication for use by customer personnel for operating and planning for the specific machines indicated. IBM makes no representations that it is suitable for any other purpose.

---

## Trademarks

The following terms are trademarks of International Business Machines Corporation in the United States, other countries, or both:

Application System/400  
AS/400  
e (logo)  
IBM  
iSeries  
Operating System/400  
OS/400  
400

Lotus, Freelance, and WordPro are trademarks of International Business Machines Corporation and Lotus Development Corporation in the United States, other countries, or both.



C-bus is a trademark of Corollary, Inc. in the United States, other countries, or both.

ActionMedia, LANDesk, MMX, Pentium, and ProShare are trademarks or registered trademarks of Intel Corporation in the United States, other countries, or both.

Microsoft, Windows, Windows NT, and the Windows logo are trademarks of Microsoft Corporation in the United States, other countries, or both.

SET and the SET Logo are trademarks owned by SET Secure Electronic Transaction LLC.

Java and all Java-based trademarks are trademarks of Sun Microsystems, Inc. in the United States, other countries, or both.

UNIX is a registered trademark of The Open Group in the United States and other countries.

Other company, product or service names may be trademarks or service marks of others.

---

## Terms and conditions for downloading and printing publications

Permissions for the use of the publications you have selected for download are granted subject to the following terms and conditions and your indication of acceptance thereof.

**Personal Use:** You may reproduce these Publications for your personal, noncommercial use provided that all proprietary notices are preserved. You may not distribute, display or make derivative works of these Publications, or any portion thereof, without the express consent of IBM.

**Commercial Use:** You may reproduce, distribute and display these Publications solely within your enterprise provided that all proprietary notices are preserved. You may not make derivative works of these Publications, or reproduce, distribute or display these Publications or any portion thereof outside your enterprise, without the express consent of IBM.

Except as expressly granted in this permission, no other permissions, licenses or rights are granted, either express or implied, to the Publications or any information, data, software or other intellectual property contained therein.

IBM reserves the right to withdraw the permissions granted herein whenever, in its discretion, the use of the Publications is detrimental to its interest or, as determined by IBM, the above instructions are not being properly followed.

You may not download, export or re-export this information except in full compliance with all applicable laws and regulations, including all United States export laws and regulations. IBM MAKES NO GUARANTEE ABOUT THE CONTENT OF THESE PUBLICATIONS. THE PUBLICATIONS ARE PROVIDED "AS-IS" AND WITHOUT WARRANTY OF ANY KIND, EITHER EXPRESSED OR IMPLIED, INCLUDING BUT NOT LIMITED TO IMPLIED WARRANTIES OF MERCHANTABILITY AND FITNESS FOR A PARTICULAR PURPOSE

All material copyrighted by IBM Corporation.

By downloading or printing a publication from this site, you have indicated your agreement with these terms and conditions.

---

## Code disclaimer information

This document contains programming examples.

IBM grants you a nonexclusive copyright license to use all programming code examples from which you can generate similar function tailored to your own specific needs.

All sample code is provided by IBM for illustrative purposes only. These examples have not been thoroughly tested under all conditions. IBM, therefore, cannot guarantee or imply reliability, serviceability, or function of these programs.

All programs contained herein are provided to you "AS IS" without any warranties of any kind. The implied warranties of non-infringement, merchantability and fitness for a particular purpose are expressly disclaimed.

---

## Electronic Emission Notices

### Federal Communications Commission (FCC) statement

**Note:** This equipment has been tested and found to comply with the limits for a Class A digital device, pursuant to Part 15 of the FCC Rules. These limits are designed to provide reasonable protection against harmful interference when the equipment is operated in a commercial environment. This equipment generates, uses, and can radiate radio frequency energy and, if not installed and used in accordance with the instruction manual, may cause harmful interference to radio communications. Operation of this equipment in a residential area is likely to cause harmful interference, in which case the user will be required to correct the interference at his own expense.

Properly shielded and grounded cables and connectors must be used in order to meet FCC emission limits. IBM is not responsible for any radio or television interference caused by using other than recommended cables and connectors or by unauthorized changes or modifications to this equipment. Unauthorized changes or modifications could void the user's authority to operate the equipment.

This device complies with Part 15 of the FCC rules. Operation is subject to the following two conditions: (1) this device may not cause harmful interference, and (2) this device must accept any interference received, including interference that may cause undesired operation.

Responsible Party:

International Business Machines Corporation  
New Orchard Road  
Armonk, NY 10504

Telephone: 1-919-543-2193

### Industry Canada Compliance Statement

This Class A digital apparatus meets the requirements of the Canadian Interference-Causing Equipment Regulations.

## Avis de conformité à la réglementation d'Industrie Canada

Cet appareil numérique de la classe A respecte toutes les exigences du Règlement sur le matériel brouilleur du Canada.

## European Community Compliance Statement

This product is in conformity with the protection requirements of EU Council Directive 89/336/EEC on the approximation of the laws of the Member States relating to electromagnetic compatibility. IBM cannot accept responsibility for any failure to satisfy the protection requirements resulting from a non-recommended modification of the product, including the fitting of non-IBM option cards.

## Australia and New Zealand Class A statement

**Attention:** This is a Class A product. In a domestic environment this product may cause radio interference in which case the user may be required to take adequate measures.

## VCCI Statement - Japan

この装置は、クラス A 情報技術装置です。この装置を家庭環境で使用すると電波妨害を引き起こすことがあります。この場合には使用者が適切な対策を講ずるよう要求されることがあります。 V C C I - A

The following is a summary of the VCCI Japanese statement in the box above.

This is a Class A product based on the standard of the Voluntary Control Council for Interference by Information Technology Equipment (VCCI). If this equipment is used in a domestic environment, radio disturbance may arise. When such trouble occurs, the user may be required to take corrective actions.

## Electromagnetic Interference (EMI) Statement - People's Republic of China

Per GB 9254-1998, the user manual for a Class A product must carry the following warning message (English translation from the Chinese standard) about use in a residential environment in Chinese (*Simplified Chinese*):

**声 明**

此为 A 级产品,在生活环境  
中,该产品可能会造成无线电干  
扰。在这种情况下,可能需要用  
户对其干扰采取切实可行的措  
施。

Declaration: This is a Class A product. In a domestic environment this product may cause radio interference in which case the user may need to perform practical action.

## Electromagnetic Interference (EMI) Statement - Taiwan

**警告使用者：**  
這是甲類的資訊產品，在居住的環境中使用時，可能會造成射頻干擾，在這種情況下，使用者會被要求採取某些適當的對策。

The following is a summary of the EMI Taiwan statement above.

Warning: This is a Class A product. In a domestic environment this product may cause radio interference in which case the user will be required to take adequate measures.

### **Radio Protection for Germany**

Dieses Gerät ist berechtigt in Übereinstimmung mit Dem deutschen EMVG vom 9.Nov.92 das EG-Konformitätszeichen zu führen.

Der Aussteller der Konformitätserklärung ist die IBM Germany.

Dieses Gerät erfüllt die Bedingungen der EN 55022 Klasse A. Für diese von Geräten gilt folgende Bestimmung nach dem EMVG:

Geräte dürfen an Orten, für die sie nicht ausreichend entstört sind, nur mit besonderer Genehmigung des Bundesministers für Post und Telekommunikation oder des Bundesamtes für Post und Telekommunikation betrieben werden. Die Genehmigung wird erteilt, wenn keine elektromagnetischen Störungen zu erwarten sind.

(Auszug aus dem EMVG vom 9.Nov.92, Para.3, Abs.4)

### Hinweis

Dieses Genehmigungsverfahren ist von der Deutschen Bundespost noch nicht veröffentlicht worden.

---

## **Electronic Emission Notices**

The following Statement applies to this IBM product. The statement for other IBM products intended for use with this product will appear in their accompanying manuals.

### **Federal Communications Commission (FCC) statement**

**Note:** This equipment has been tested and found to comply with the limits for a class B digital device, pursuant to Part 15 of the FCC Rules. These limits are designed to provide reasonable protection against harmful interference in a residential installation. This equipment generates, uses, and can radiate radio frequency energy and, if not installed and used in accordance with the instructions, may cause harmful interference to radio communications. However, there is no guarantee that interference will not occur in a particular installation. If this equipment does cause harmful interference to radio or television reception, which can be determined by turning the equipment off and on, the user is encouraged to try to correct the interference by one or more of the following measures:

- Reorient or relocate the receiving antenna.
- Increase the separation between the equipment and receiver.
- Connect the equipment into an outlet on a circuit different from that to which the receiver is connected.
- Consult an IBM authorized dealer or service representative for help.

Properly shielded and grounded cables and connectors must be used in order to meet FCC emission limits. Proper cables and connectors are available from IBM authorized dealers. IBM is not responsible for any radio or television interference caused by using other than recommended cables or connectors or by unauthorized changes or modifications to this equipment. Unauthorized changes or modifications could void the user's authority to operate the equipment.

This device complies with Part 15 of the FCC Rules. Operation is subject to the following two conditions: (1) this device may not cause harmful interferences, and (2) this device must accept any interferences received, including interference that may cause undesired operation.

Responsible Party:

International Business Machines Corporation  
New Orchard Road  
Armonk, NY 10504

Telephone: 1-919-543-2193

#### **Industry Canada Compliance Statement**

This Class B digital apparatus meets the requirements of the Canadian Interference-Causing Equipment Regulations.

#### **Avis de conformité à la réglementation d'Industrie Canada**

Cet appareil numérique de la classe B respecte toutes les exigences du Règlement sur le matériel brouilleur du Canada.

#### **European Community Compliance Statement**

This product is in conformity with the protection requirements of EC Council Directive 89/336/EEC on the approximation of the laws of the Member States relating to electromagnetic compatibility. IBM cannot accept responsibility for any failure to satisfy the protection requirements resulting from a non-recommended modification of the product, including the fitting of non-IBM option cards.

This product has been tested and found to comply with the limits for Class B Information Technology Equipment according to CISPR 22 / European Standard EN 55022. The limits for Class B equipment were derived for typical residential environments to provide reasonable protection against interference with licensed communication devices.

Properly shielded and grounded cables and connectors (IBM part number 75G5958 or its equivalent) must be used in order to reduce the potential for causing interference to radio and TV communications and to other electrical or electronic equipment. Such cables and connectors are available from IBM authorized dealers. IBM cannot accept responsibility for an interference caused by using other than

recommended cables and connectors.





Printed in USA