

Power Systems

*Line cord conduit for the 9119-MHE or
9119-MME*

IBM

Power Systems

*Line cord conduit for the 9119-MHE or
9119-MME*

IBM

Line cord conduit for the 9119-MHE or 9119-MME

Learn how to remove, and replace a line cord conduit in the IBM® Power® System E880 (9119-MHE) and the IBM Power System E870 (9119-MME) servers.

The following procedures describe the removal and replacement of the line cord conduit. Replacing this field-replaceable unit (FRU) must be completed by an authorized service representative.

Removing the line cord conduit from the 9119-MHE or 9119-MME

Learn how to remove the line cord conduit that failed in the system or as part of another service procedure.

To remove the line cord conduit, complete the following steps:

1. Ask the customer to shut down all active partitions first, and then power off the managed system. The line cord conduit can be removed from the system only after the customer completes these actions and the status of the server changes to **Power Off**. If the customer is using a secondary management console to manage the system, ensure that they are not powering on the managed system.
2. Identify the system that you are working on by using the identify the system process to turn on the system locate (blue) indicator. For instructions, see Control panel LEDs (http://www.ibm.com/support/knowledgecenter/POWER8/p8haj/p8haj_controlpanel.htm) and Enabling enclosure indicators (<http://www.ibm.com/support/knowledgecenter/POWER8/p8hby/enclosureindicators.htm>).
3. Completed the following steps at the rear of the system.
 - a. Attach the wrist strap. Your system has an electrostatic discharge (ESD) jack. Plug the wrist strap into the ESD jack that is located at the rear of the system. See Figure 1 on page 2.

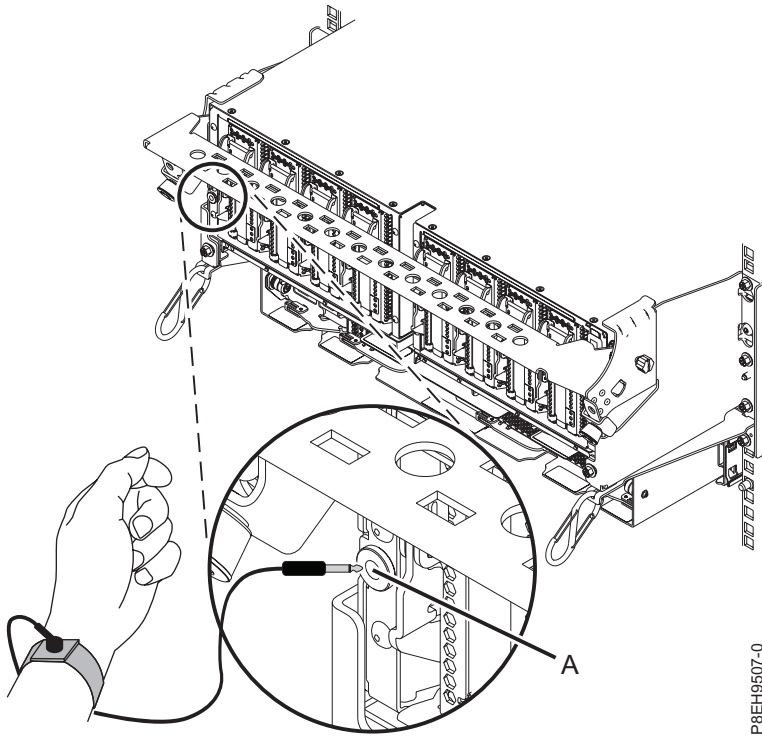


Figure 1. Attaching the wrist strap to the rear ESD jack

Attention:

- Attach a wrist strap to an unpainted metal surface of your hardware to prevent electrostatic discharge (ESD) from damaging your hardware.
 - When using a wrist strap, follow all electrical safety procedures. A wrist strap is for static control. It does not increase or decrease your risk of receiving electric shock when using or working on electrical equipment.
 - If you do not have a wrist strap, just prior to removing the product from ESD packaging and installing or replacing hardware, touch an unpainted metal surface of the system for a minimum of 5 seconds.
- b. Disconnect the power cables that are plugged into the rear of the line cord conduit that you are removing. See Figure 2 on page 3.

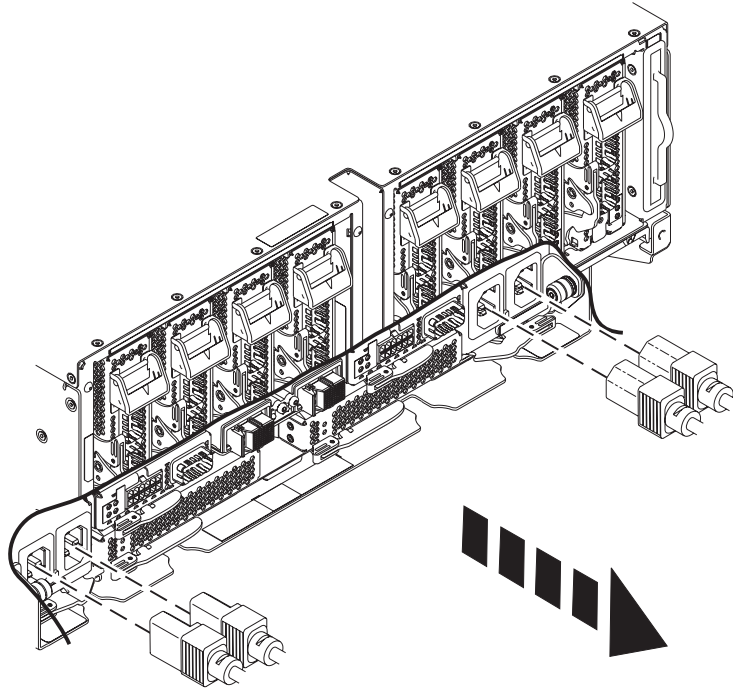
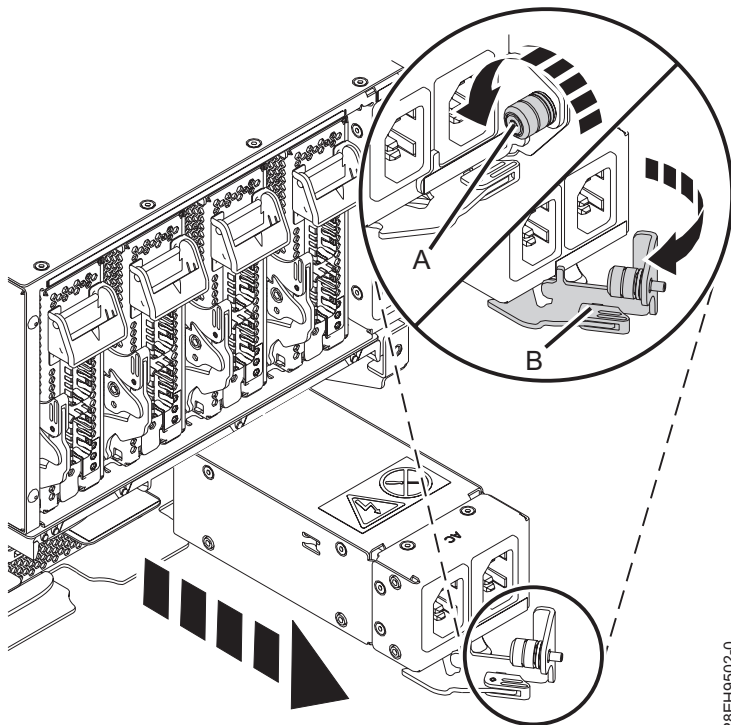


Figure 2. Disconnecting power cables from the rear of the line cord conduit

- c. Loosen the retaining screw (A) and pull out the latch (B). See Figure 3.



P8EH9502-0

Figure 3. Removing the line cord conduit from the rear of the system

- d. Slide the line cord conduit out from the rear of the system. See Figure 3.

- e. Unplug the wrist strap from the ESD jack at the rear of the system.
- 4. Complete the following steps at the front of the system.
 - a. Remove the front cover (A) by grasping the edges of the cover and by pulling it. See Figure 4.

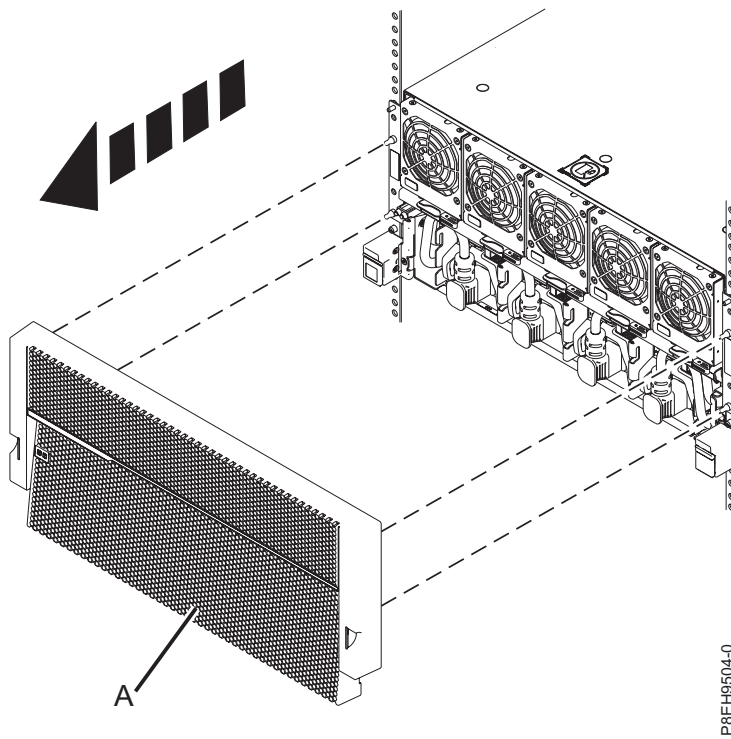
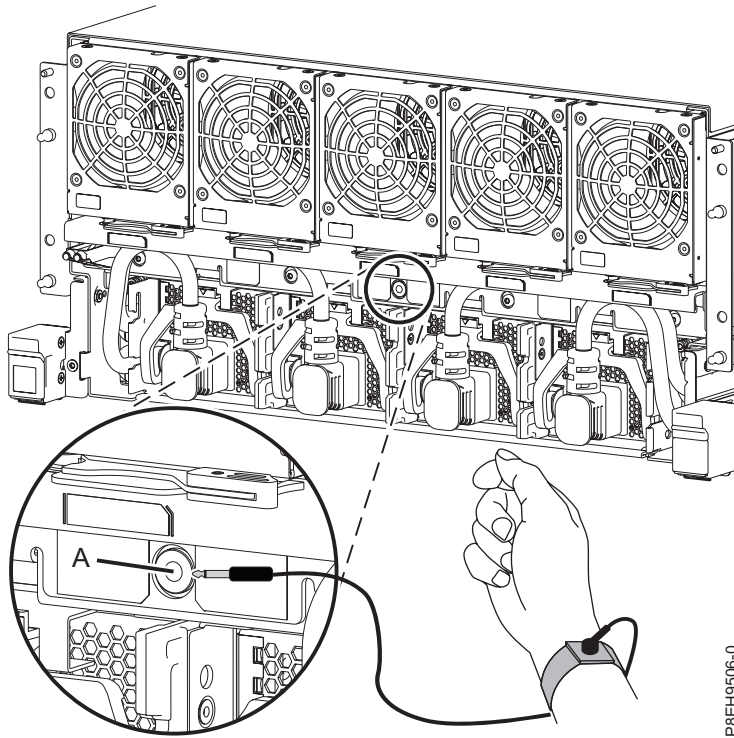


Figure 4. Removing the front cover

- b. Attach the wrist strap. Plug the wrist strap into the system jack that is located in the front of the system. See Figure 5 on page 5.



P8EH9506-0

Figure 5. Attaching the wrist strap to the front ESD jack

- c. Disconnect the line cord conduit cables of the conduit you are removing from the power supplies. See Figure 6 on page 6.

Notes:

- The left line cord conduit, as viewed from the front of the system, connects the power supplies in location E1 and E2.
- The right line cord conduit, as viewed from the front of the system, connects the power supplies in location E3 and E4.
- For information about power supply locations, see 9119-MHE or 9119-MME locations (http://www.ibm.com/support/knowledgecenter/POWER8/p8ecs/p8ecs_87x_88x_loccodes.htm).

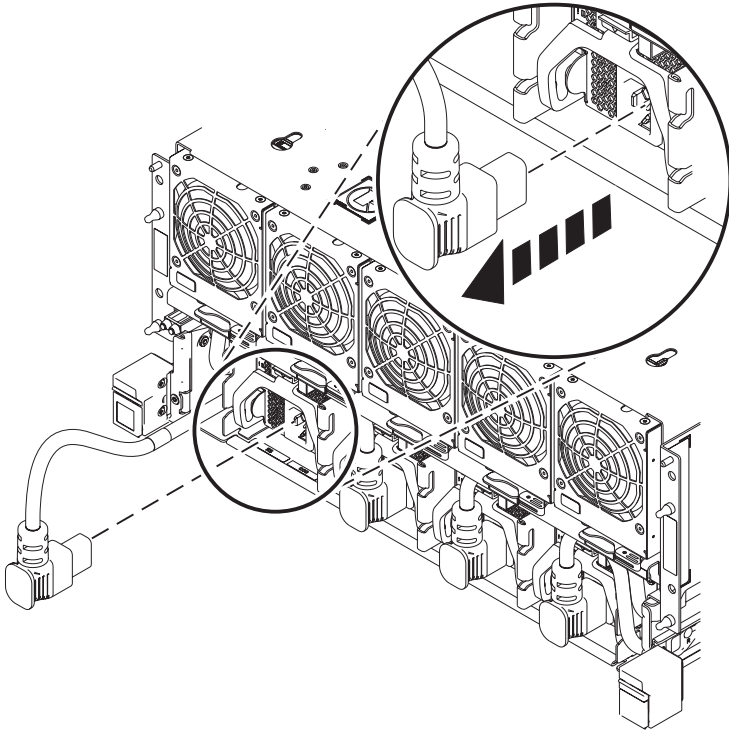
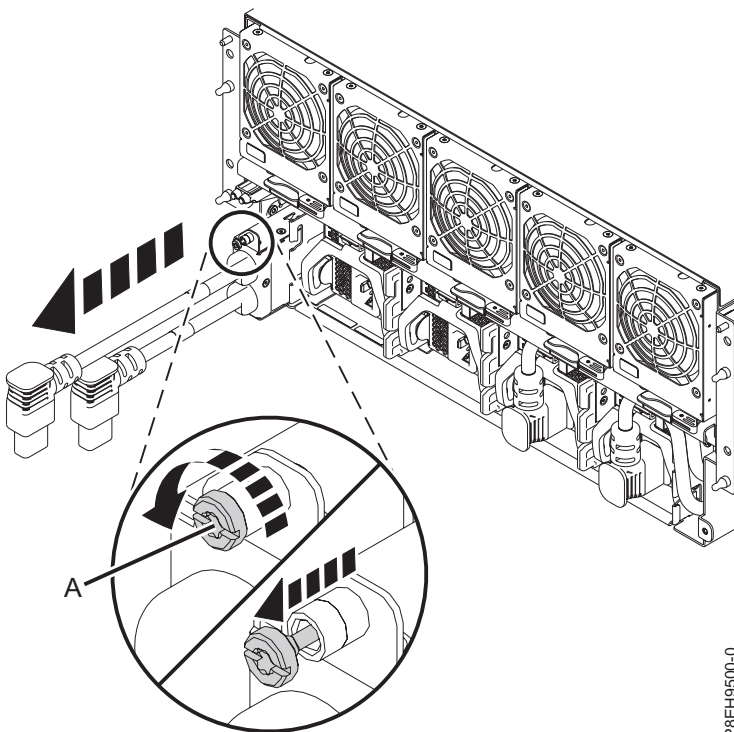


Figure 6. Disconnecting the line cord conduit cables from the power supplies

- d. Loosen the retaining screw (A) and pull the line cord conduit out from the front of the system. See Figure 7.



P8EH9500-0

Figure 7. Removing the line cord conduit from the front of the system

Replacing the line cord conduit in the 9119-MHE or 9119-MME

Learn how to replace the line cord conduit in the 9119-MHE or 9119-MME system.

To replace the line cord conduit, complete the following steps:

1. Complete the following steps in the front of the system.
 - a. Attach the wrist strap. Your system has an electrostatic discharge (ESD) jack. Plug the wrist strap into the ESD jack in the front of the system. See Figure 8.

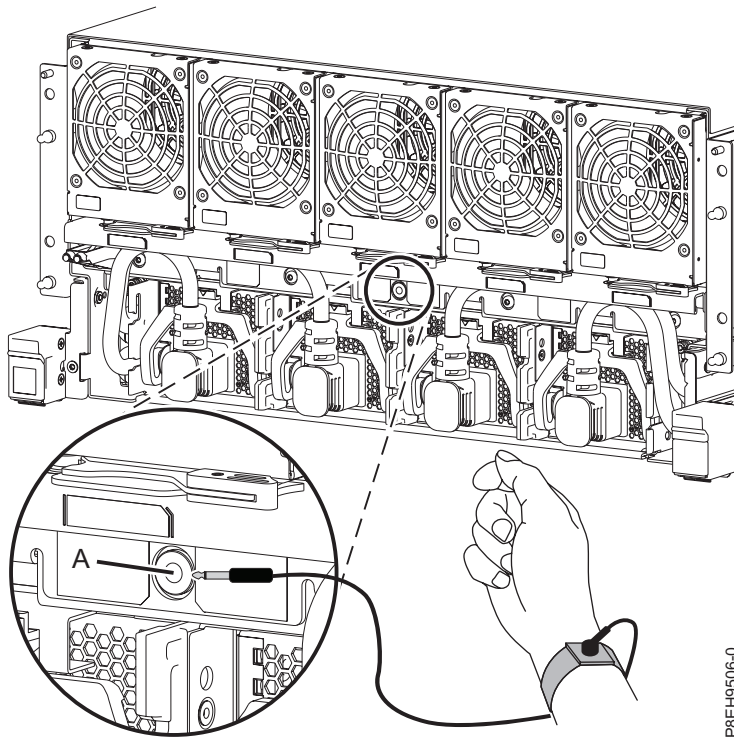


Figure 8. Attaching the wrist strap to the front ESD jack

Attention:

- Attach a wrist strap to an unpainted metal surface of your hardware to prevent electrostatic discharge (ESD) from damaging your hardware.
 - When using a wrist strap, follow all electrical safety procedures. A wrist strap is for static control. It does not increase or decrease your risk of receiving electric shock when using or working on electrical equipment.
 - If you do not have a wrist strap, just prior to removing the product from ESD packaging and installing or replacing hardware, touch an unpainted metal surface of the system for a minimum of 5 seconds.
- b. Slide the line cord conduit into the front of the system. Tighten the screw (A) to secure the line cord conduit. See Figure 9 on page 8.

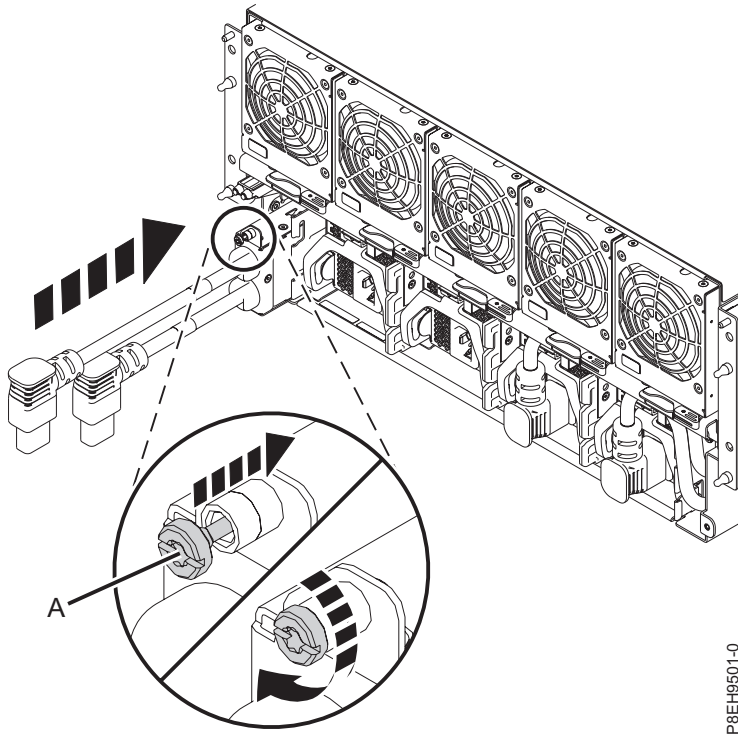


Figure 9. Replacing the line cord conduit in the front of the system

- c. Plug the line cord conduit cables into the power supplies. See Figure 10 on page 9.

Notes:

- The left line cord conduit, as viewed from the front of the system, connects the power supplies in location E1 and E2.
- The right line cord conduit, as viewed from the front of the system, connects the power supplies in location E3 and E4.
- For information about power supply locations, see 9119-MHE or 9119-MME locations (http://www.ibm.com/support/knowledgecenter/POWER8/p8ecs/p8ecs_87x_88x_loccodes.htm).

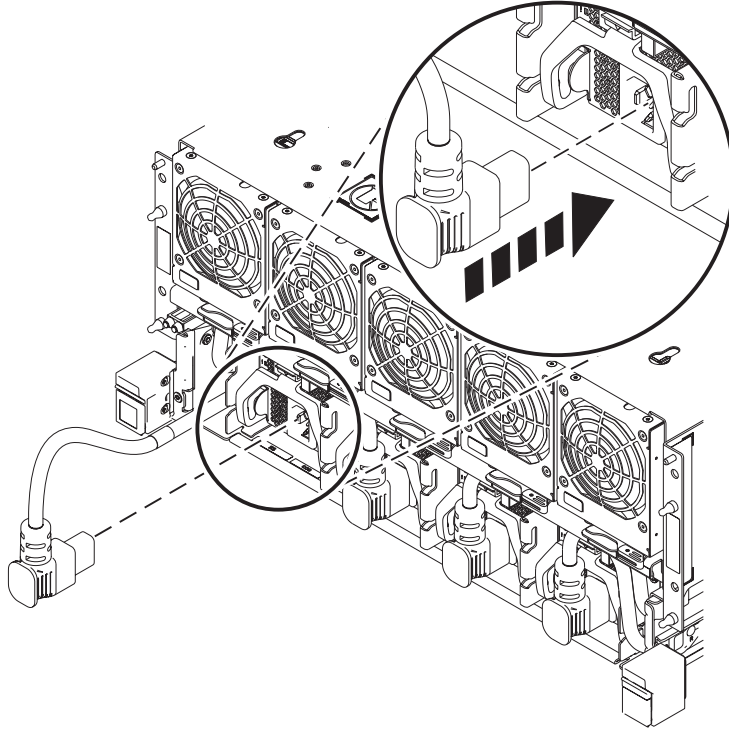


Figure 10. Reconnecting the line cord conduit cables to the power supplies

- d. Unplug the wrist strap from the ESD jack in the front of the system.
- e. Install the front cover (A) by pushing the cover onto the locating pins of the system. See Figure 11 on page 10.

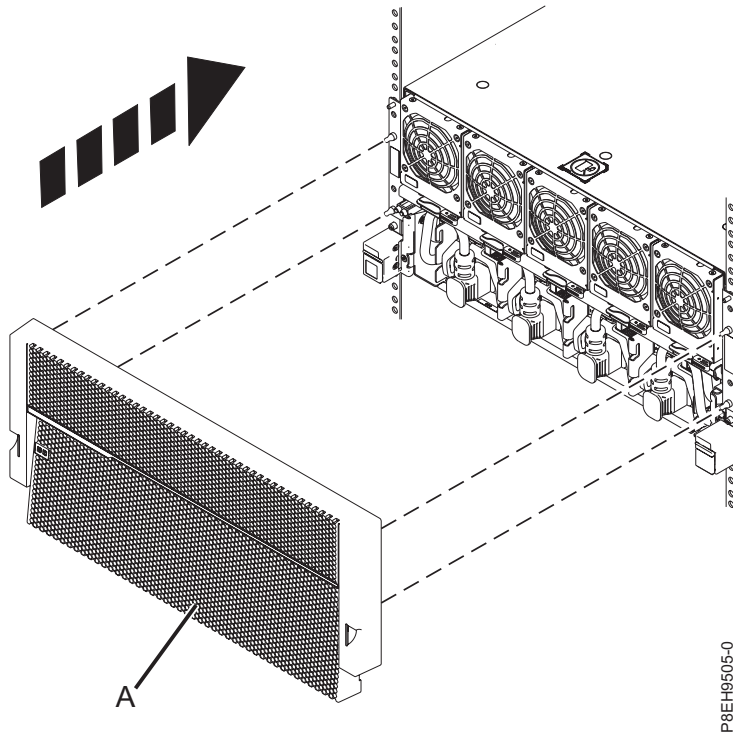
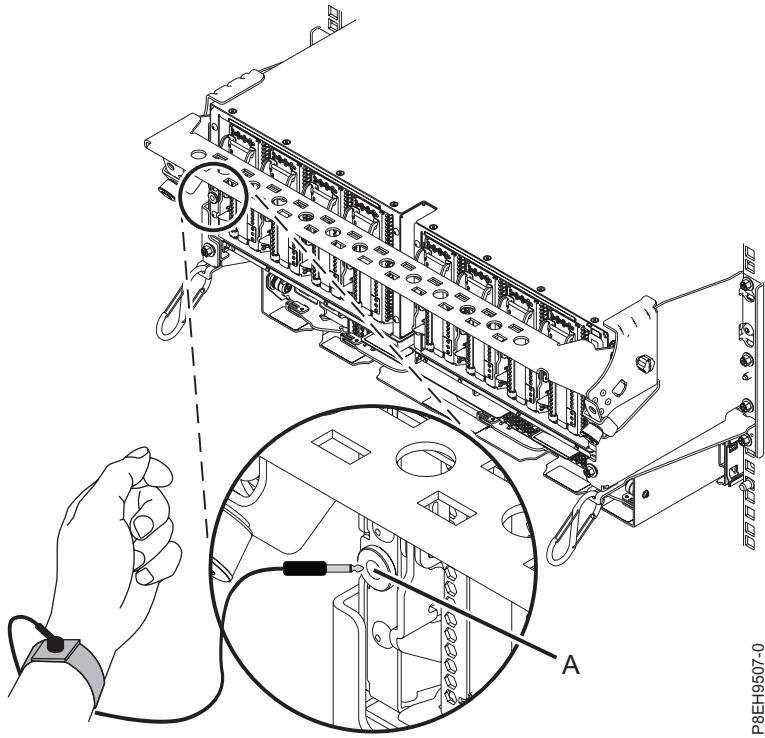


Figure 11. Replacing the front cover

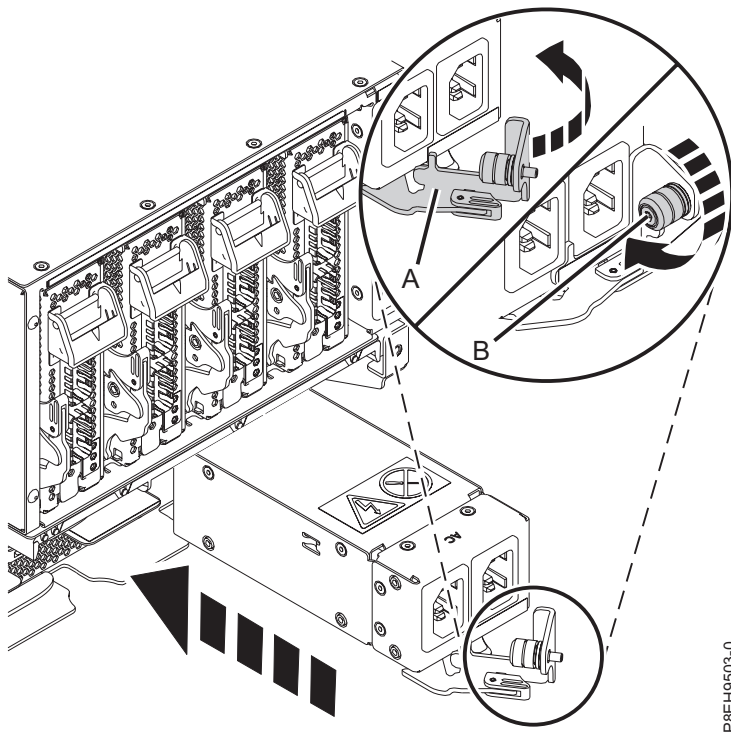
2. Complete the following steps at the rear of the system.
 - a. Attach the wrist strap. Plug the wrist strap into the ESD jack that is located at the rear of the system.



P8EH9507-0

Figure 12. Attaching the wrist strap to the rear ESD jack

- b. Push the line cord conduit into the rear of the system. Push the locking latch (A) in and tighten the securing screw (B). See Figure 13.



P8EH9503-0

Figure 13. Replacing the line cord conduit in the rear of the system

- c. Route the power cables through the cable retention carabiners and plug the power cables into the rear of the line cord conduit. See Figure 14 and Figure 15.

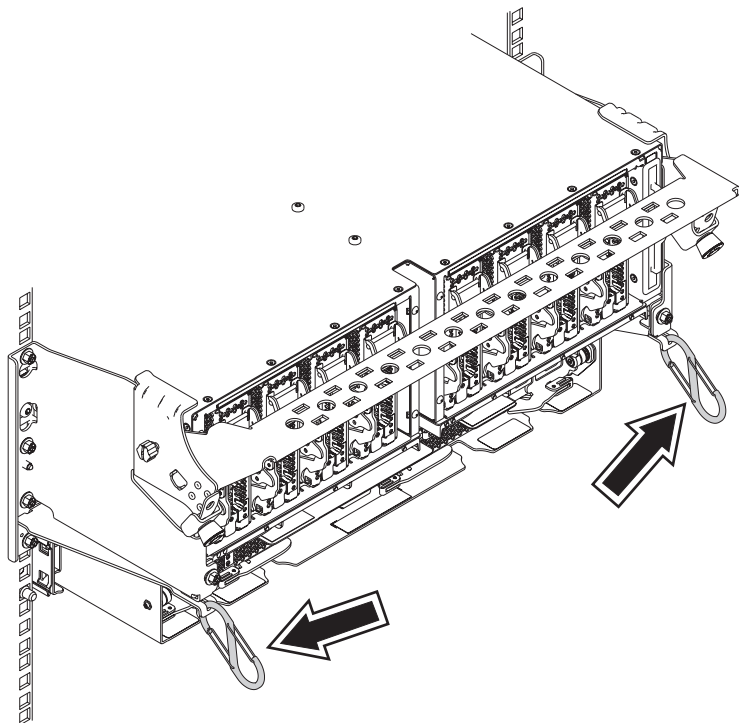


Figure 14. Location of power cable retention carabiners

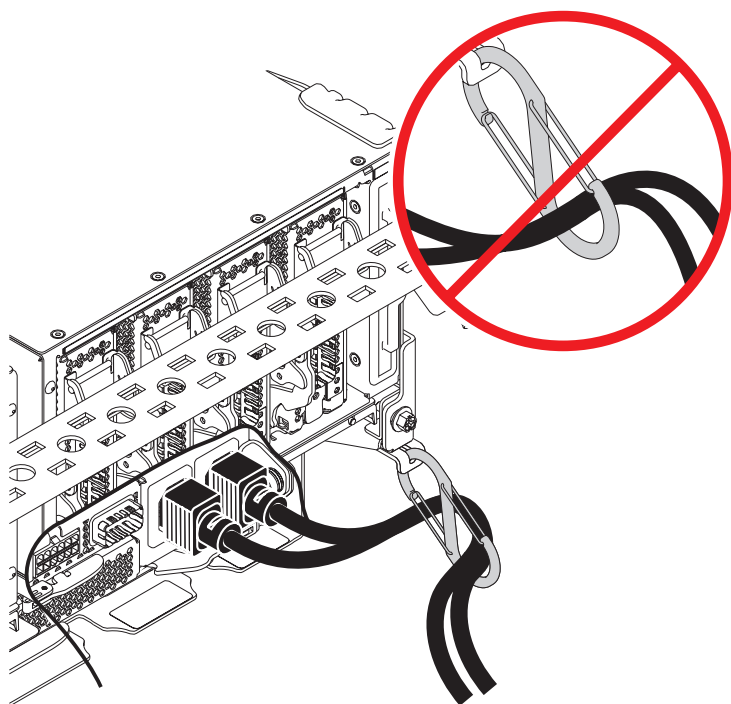


Figure 15. Reconnecting power cables to the rear of the line cord conduit

- d. Unplug the wrist strap from the ESD jack that is located at the rear of the system.
- e. Start the system or logical partition. For instructions, see Starting a system or logical partition (<http://www.ibm.com/support/knowledgecenter/POWER8/p8haj/crustartsys.htm>).
- f. Verify the installed part. For instructions, see Verifying the installed part (http://www.ibm.com/support/knowledgecenter/POWER8/p8haj/pxhaj_hsmverify.htm).



Printed in USA