

Power Systems

*PCI Expansion Card*

**IBM**



Power Systems

*PCI Expansion Card*

**IBM**

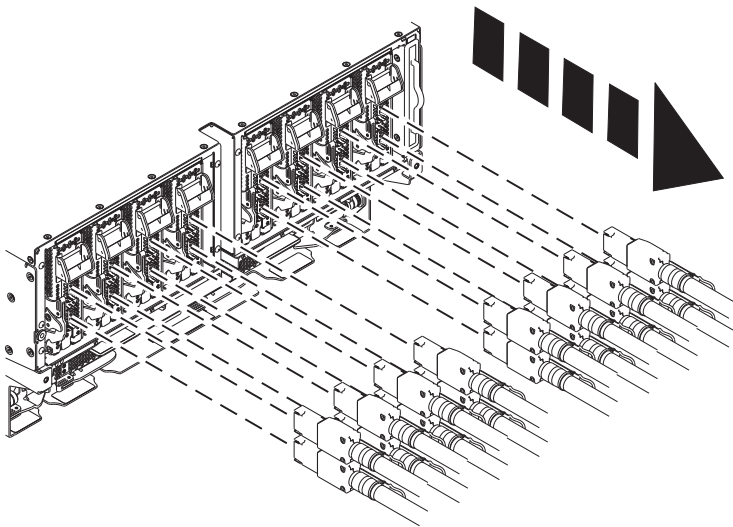


---

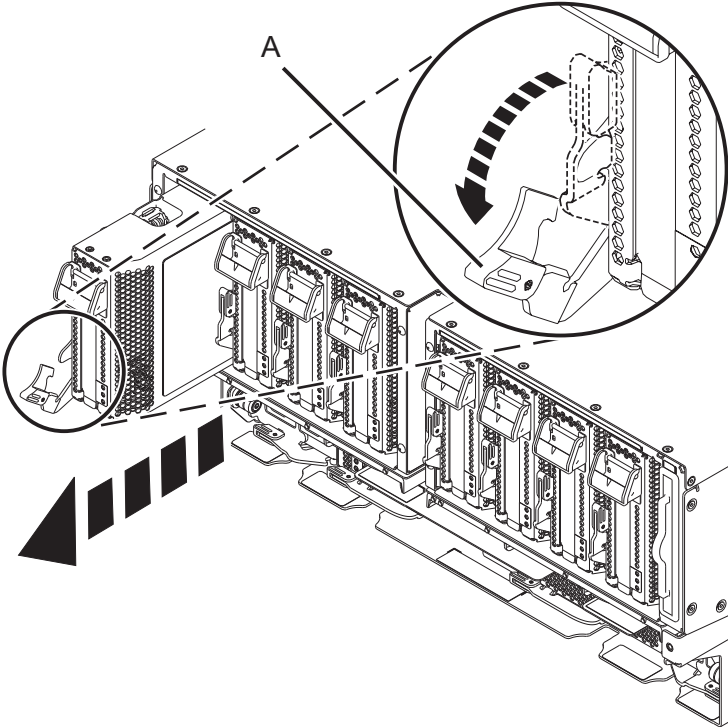
## Remove PCI Expansion Card Cassette

To remove a PCI expansion card cassette, complete the following steps:

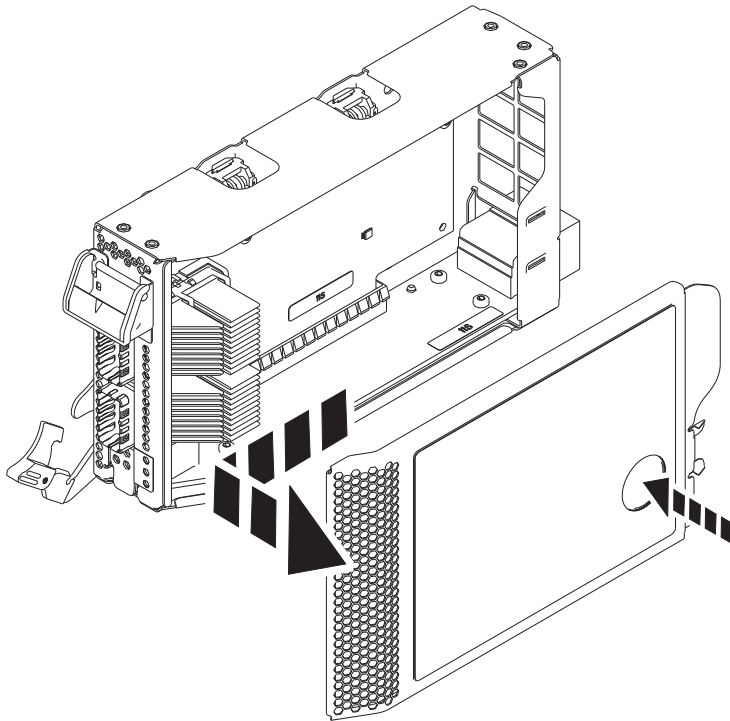
1. Perform the following procedure on ONLY THE FRU(s) BEING SERVICED. The following images are generic and do not represent the literal location being serviced.
2. Modifying FRU locations which are not called out for service can have adverse effects on the system, INCLUDING SYSTEM OUTAGE AND LOSS OF DATA.
1. Label and remove any cables, which are connected to the cassette being serviced, prior to removing the cassette.



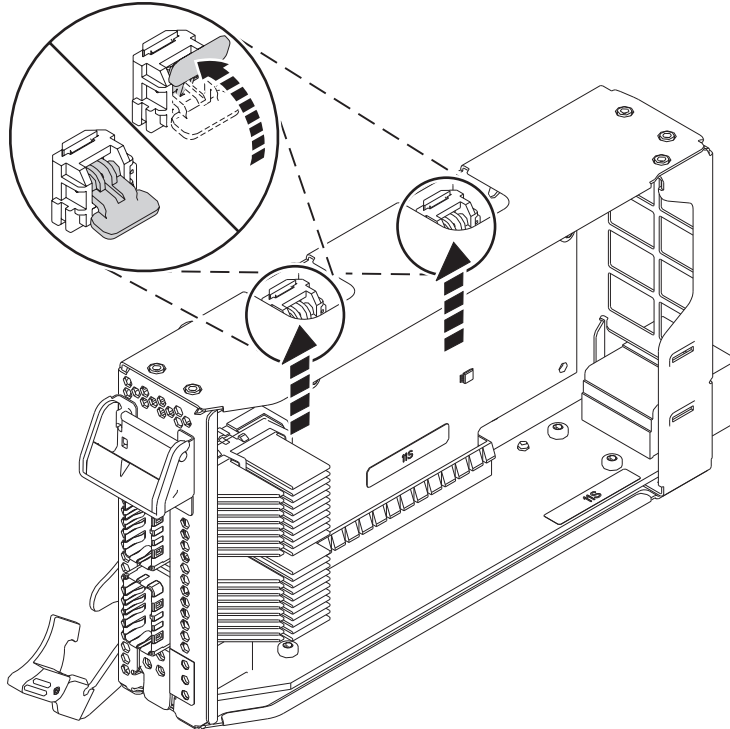
2. Pull down on latch (A) to disengage, then slide the cassette out.



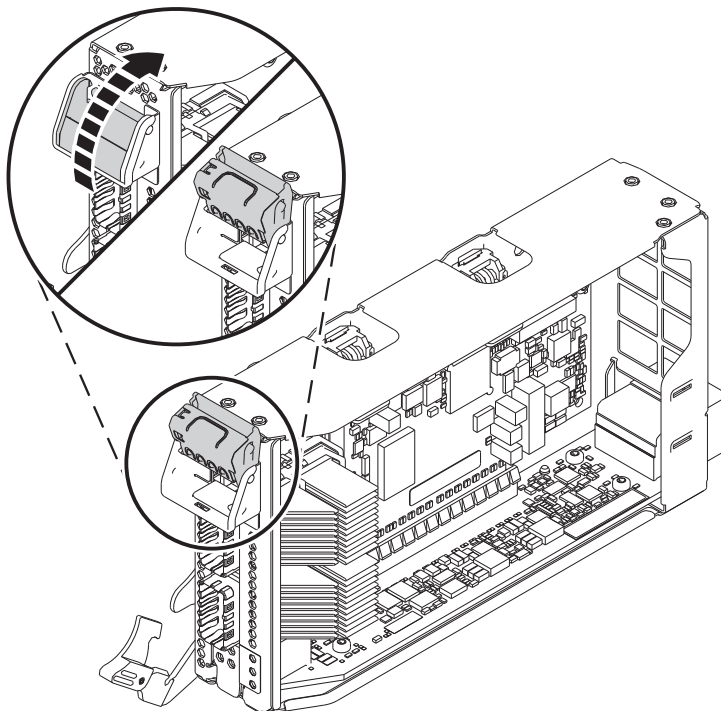
3. If the PCI adapter cassette contains a PCI adapter card, the PCI adapter card must be removed and set aside.
  - a. Open the PCI cassette by pushing down on the button, and then slide off the cassette cover.



- b. Flip up the card retention locking tabs and slide the retention latches up.



c. Pull up on the locking tab on the exterior of the cassette to release side connectors.



d. Pull up on the PCI-e adapter card to remove it from the connector on the bottom of the cassette.

e. Set the PCI-e adapter card aside on a static-free surface

If performing this procedure from a management console, close this web page to continue with the procedure





---

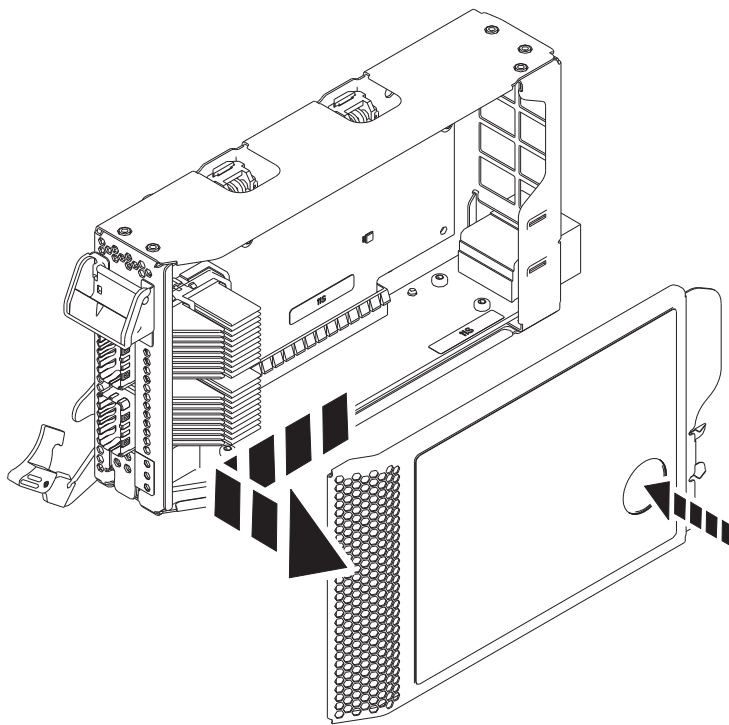
## Install PCI Expansion Card Cassette

To install a PCI expansion card cassette, complete the following steps:

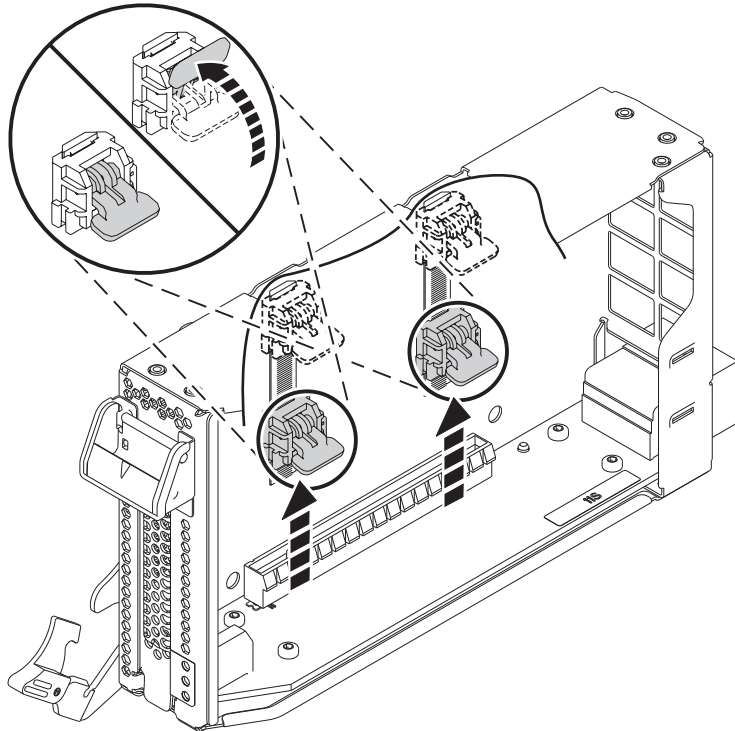
1. Perform the following procedure on ONLY THE FRU(s) BEING SERVICED. The following images are generic and do not represent the literal location being serviced.
2. Modifying FRU locations which are not called out for service can have adverse effects on the system, INCLUDING SYSTEM OUTAGE AND LOSS OF DATA.

**Note:** Only low-profile PCI adapters will fit in the PCI expansion card

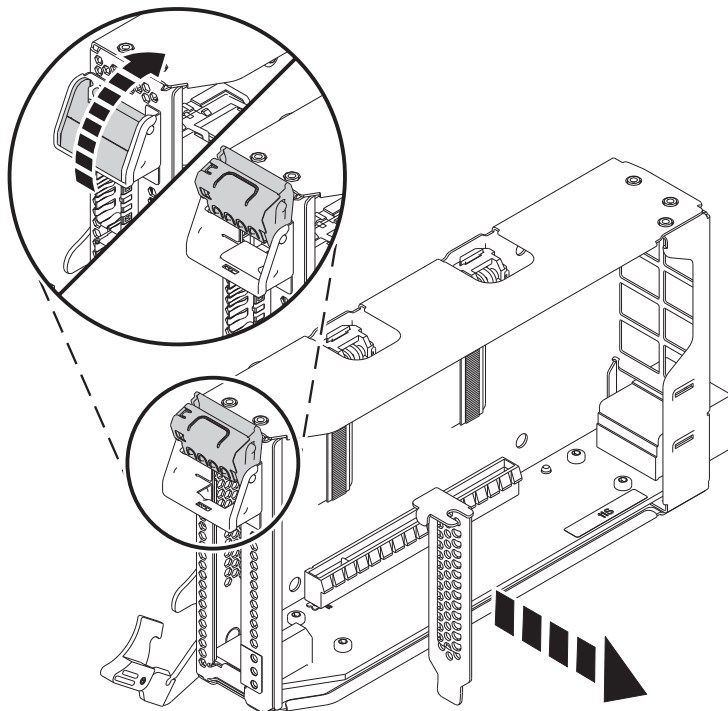
1. If you are replacing the PCI adapter cassette and the original cassette contained a PCI adapter card, install the PCI adapter card into the new cassette.
  - a. Open the PCI cassette by pushing down on the button, and then slide off the cassette cover.



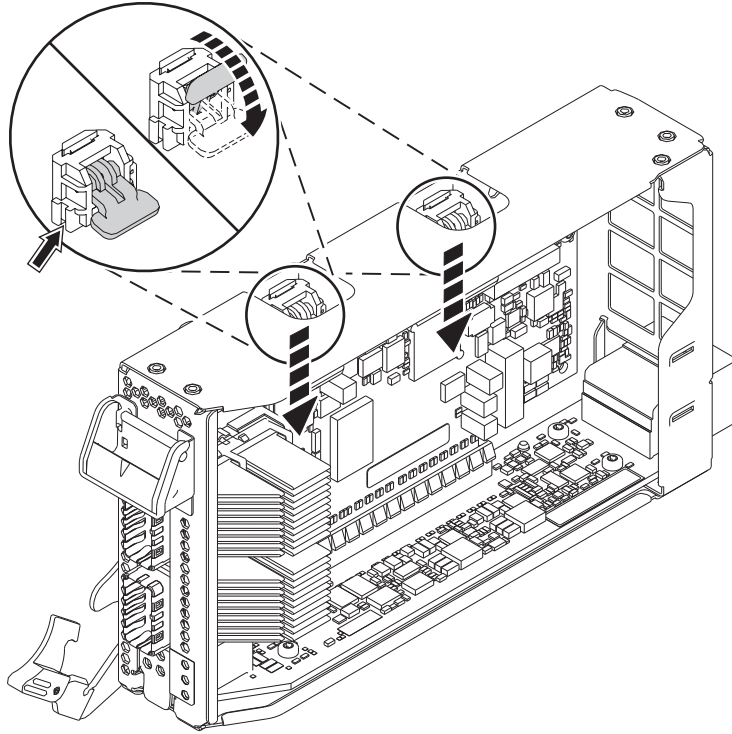
- b. Flip up the card retention locking tabs and slide the retention latches up.



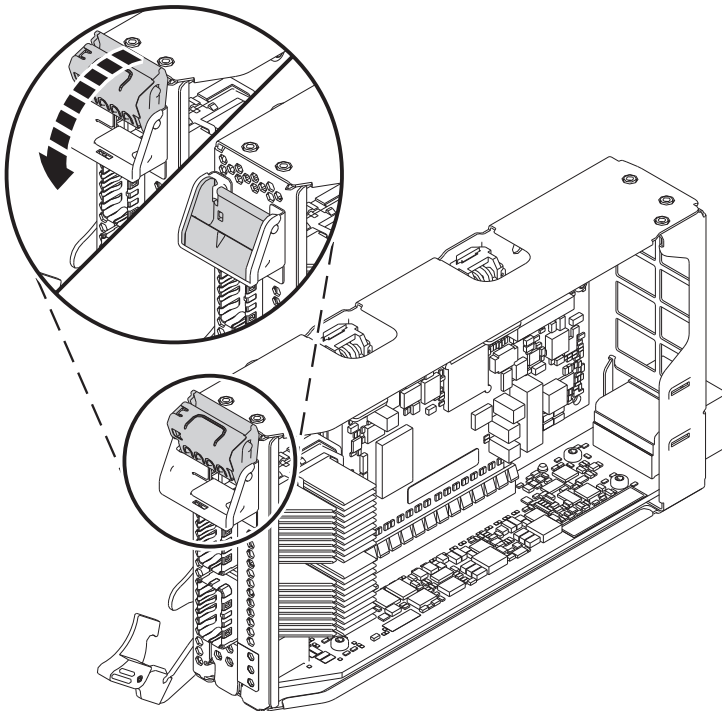
c. Pull up on the locking tab on the exterior of the cassette to release side connectors.



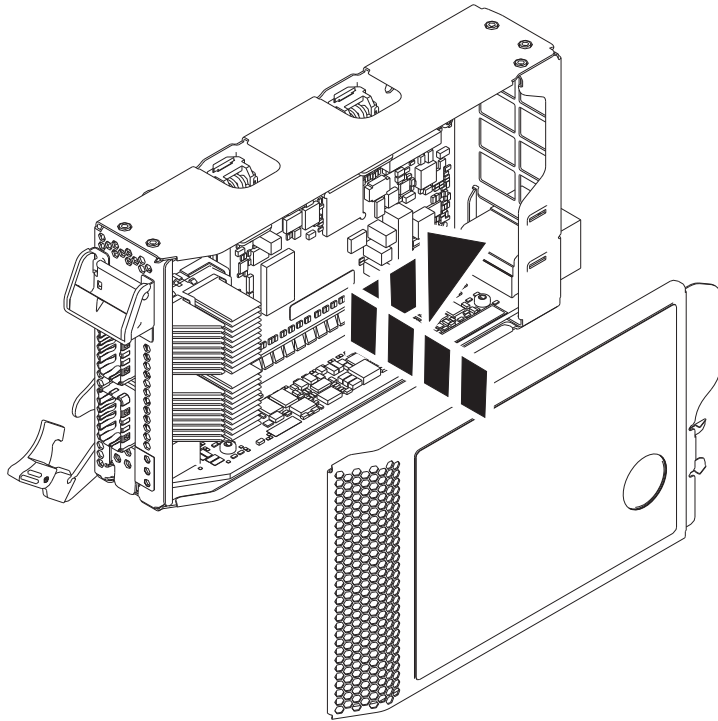
- d. If a tail stock filler is present, remove it.
- e. Push the card into the cassette and ensure it is properly seated into the connector on the bottom of the cassette, slide down the retention latches over the card, and close the locking tabs



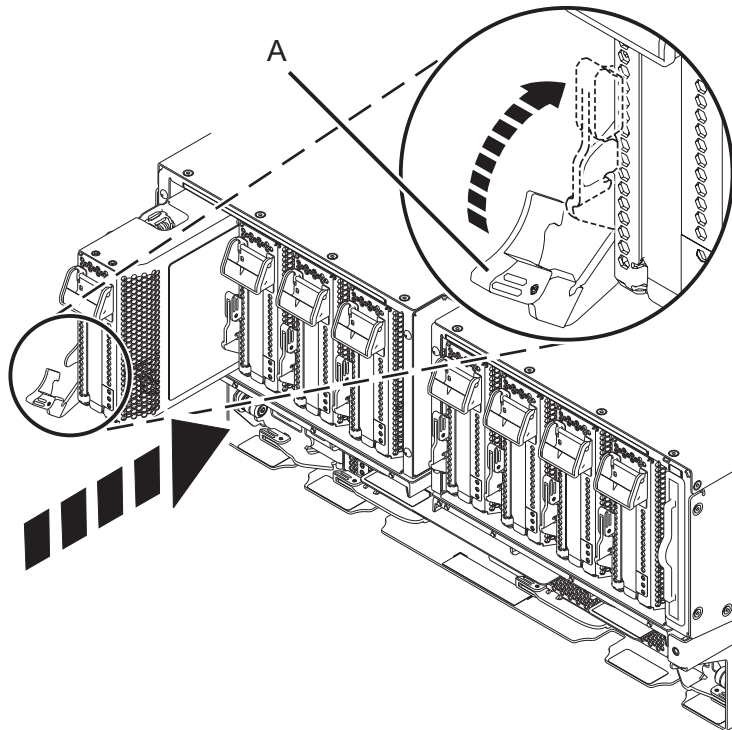
f. Close the external locking tab.



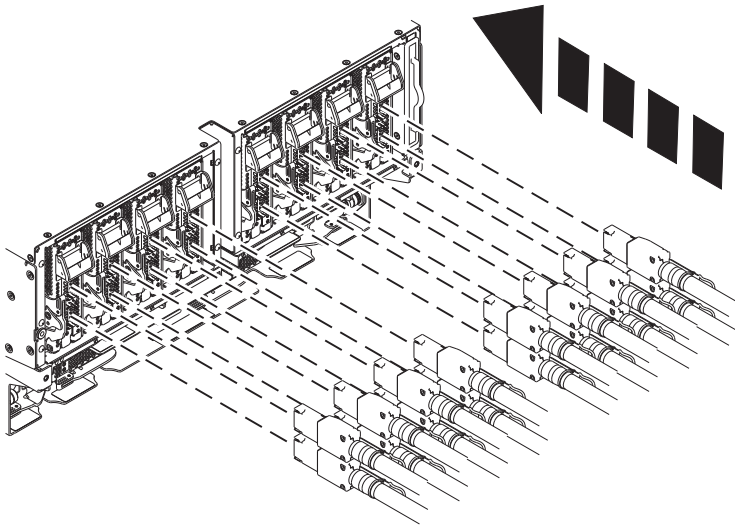
g. Put the cover back onto cassette by inserting the prongs into the holds and pressing down to lock into place



2. Push the cassette into location and push on the latch (A) in to secure.



3. Connect cables.



If performing this procedure from a management console, close this web page to continue with the procedure







Printed in USA