

Power Systems

PCI Adapter Card

IBM

Power Systems

PCI Adapter Card

IBM

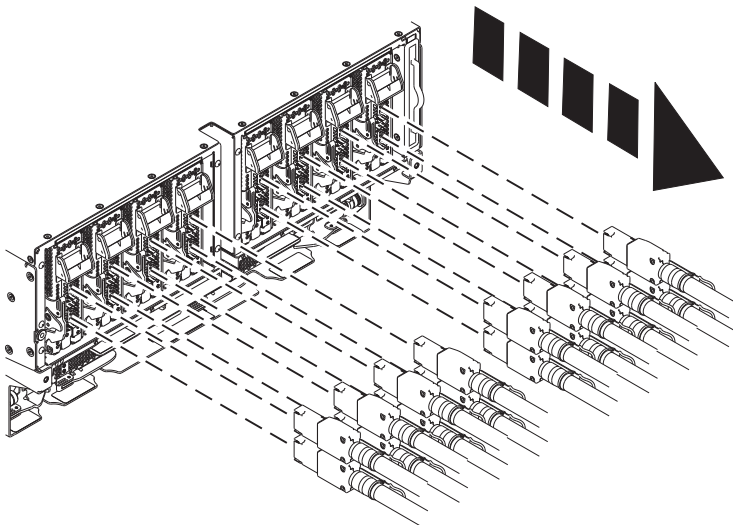
Remove PCI Adapter Card

To remove a PCI adapter card, complete the following steps:

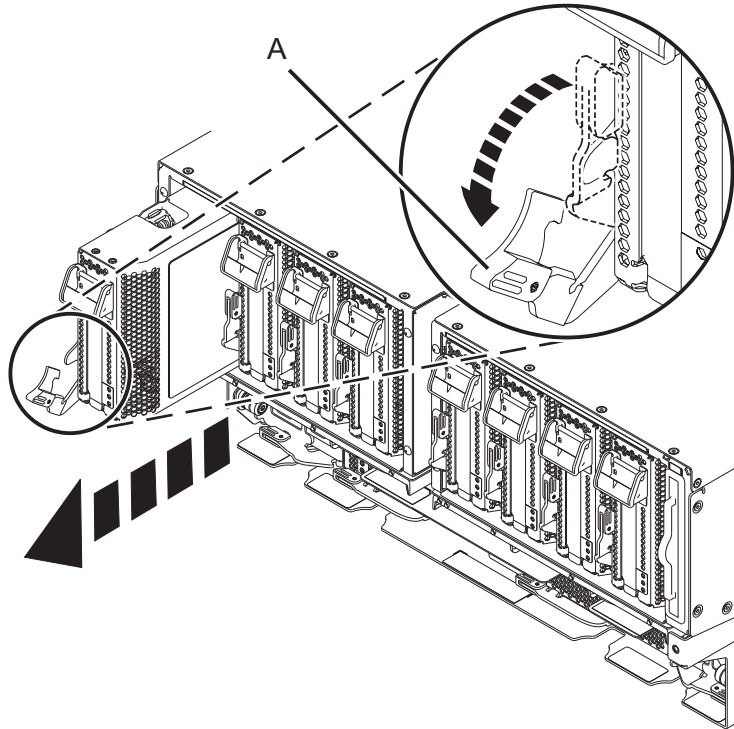
1. Perform the following procedure on ONLY THE FRU(s) BEING SERVICED. The following images are generic and do not represent the literal location being serviced.
2. Modifying FRU locations which are not called out for service can have adverse effects on the system, INCLUDING SYSTEM OUTAGE AND LOSS OF DATA.

Note: Before removing a PCIe3 1.6 TB NVMe Flash adapter (FC EC54 and EC55; CCIN 58CB) or a PCIe3 3.2 TB NVMe Flash adapter (FC EC56 and EC57; CCIN 58CC), ensure that all data on the adapter or the array that contains the adapter is backed up. Restore the data after the adapter is replaced.

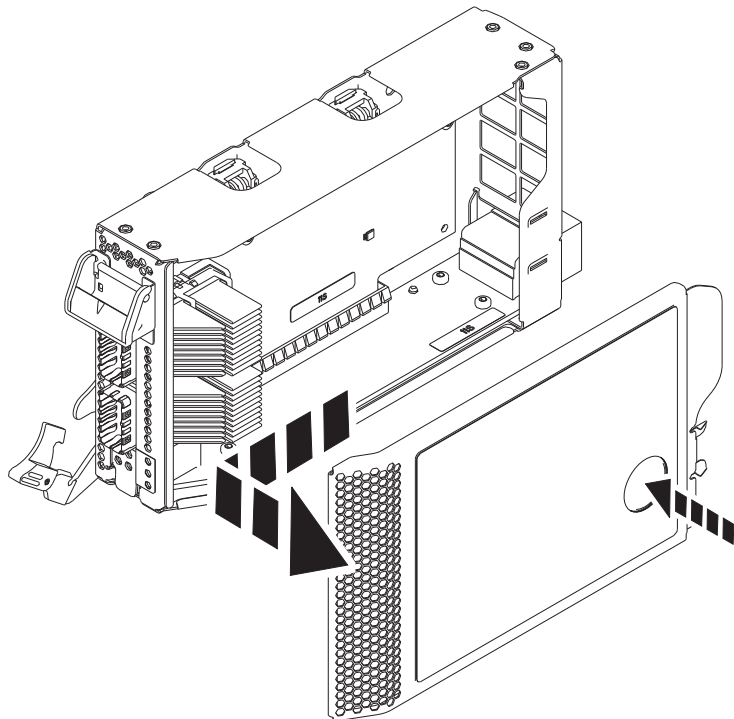
1. Label and remove any cables, which are connected to the cassette being serviced, prior to removing the cassette.



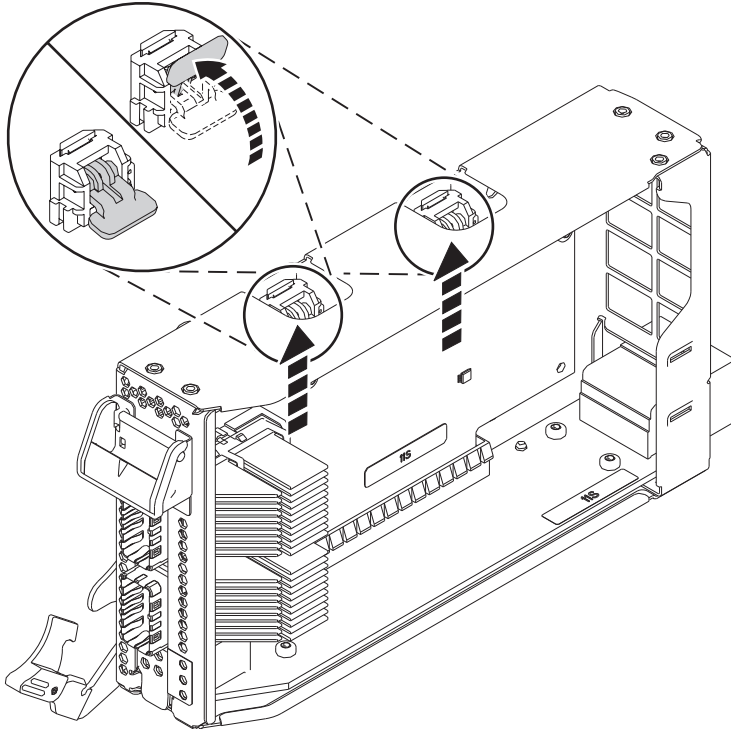
2. Pull down on latch (A) to disengage, then slide the cassette out.



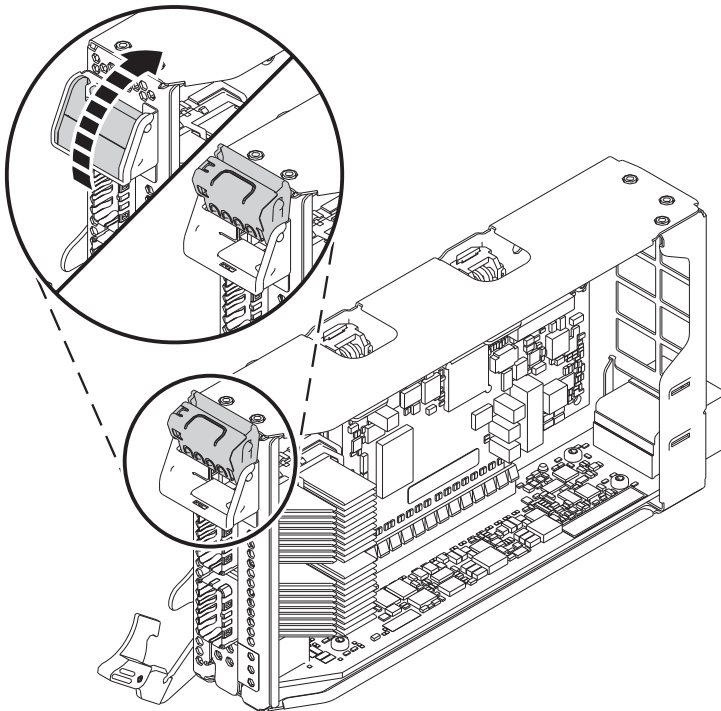
3. Open the PCI cassette by pushing down on the button, and then slide off the cassette cover.



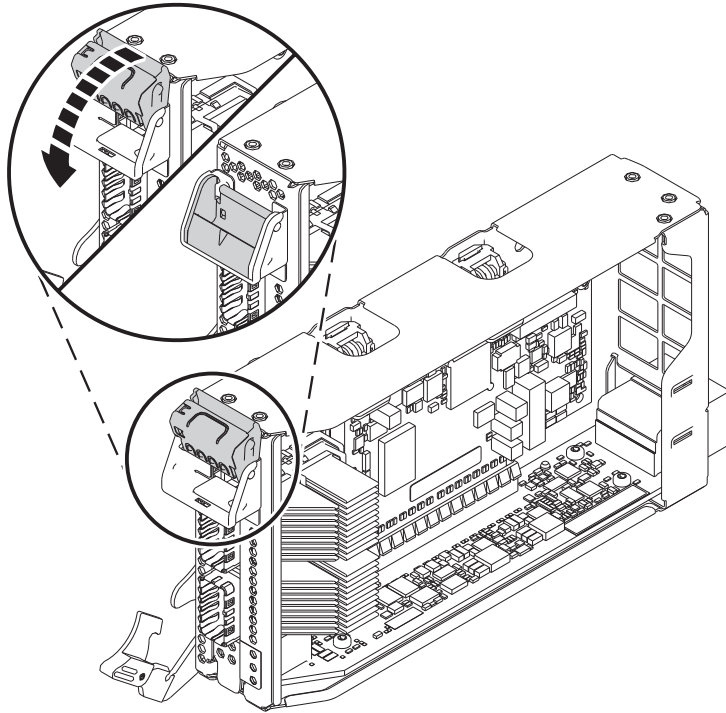
4. Flip up the card retention locking tabs and slide the retention latches up.



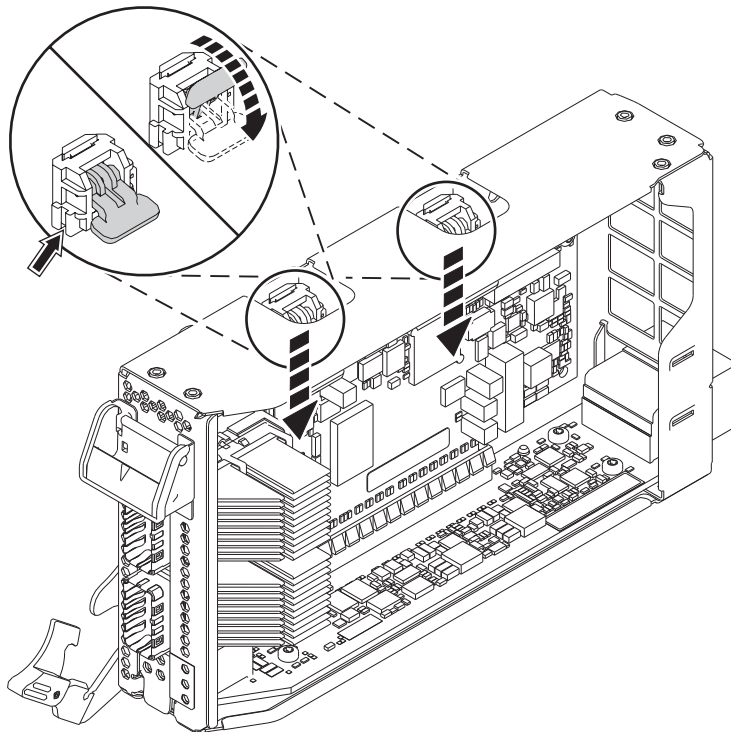
5. Pull up on the locking tab on the exterior of the cassette to release side connectors.



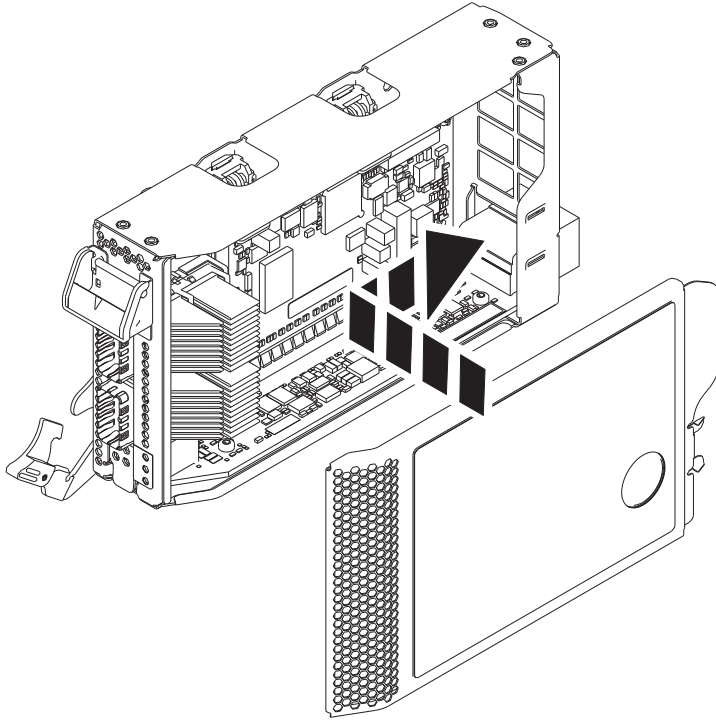
6. Pull up on the PCI adapter card to remove it from the connector on the bottom of the cassette.
7. **If you are NOT installing a new PCI adapter card, re-insert the PCI-e cassette**
 - a. If available, install a tail stock filler into the cassette and close the external locking tab.



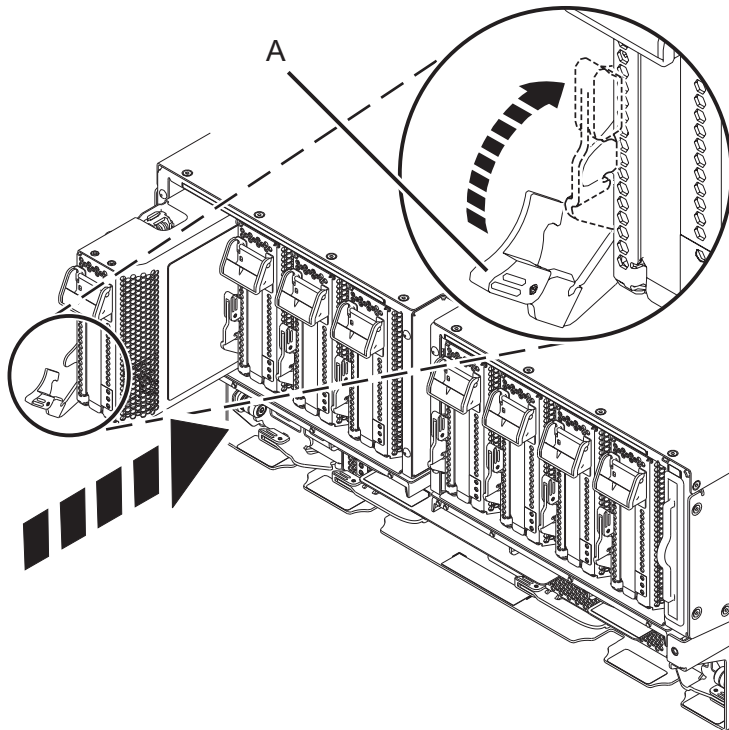
b. Slide down the retention latches over the card, and close the locking tabs



c. Put the cover back onto cassette by inserting the prongs into the holes and pressing down to lock into place



d. Push the cassette into location and push the latch (**A**) in to secure.



If performing this procedure from a management console, close this web page to continue with the procedure

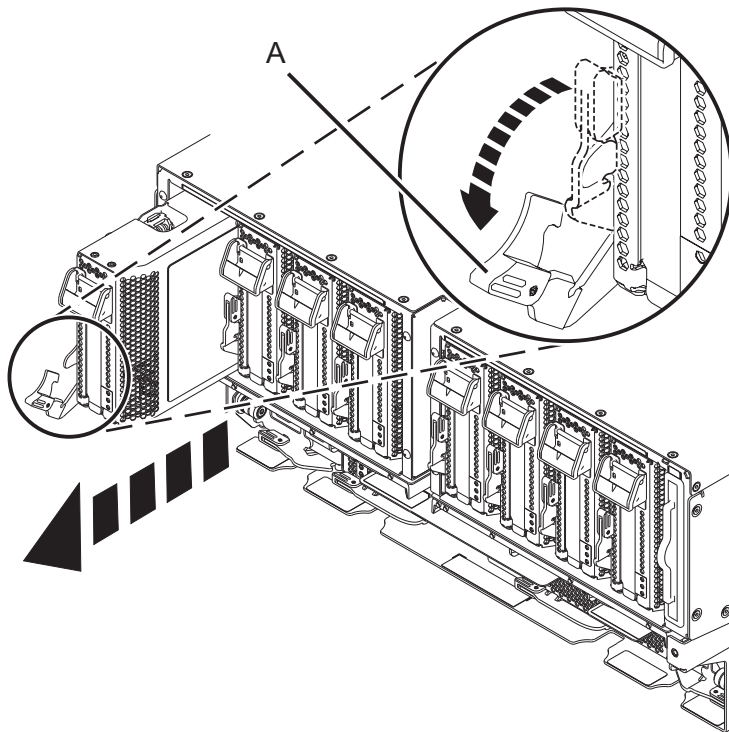
Install PCI Adapter Card

To install a PCI adapter card, complete the following steps:

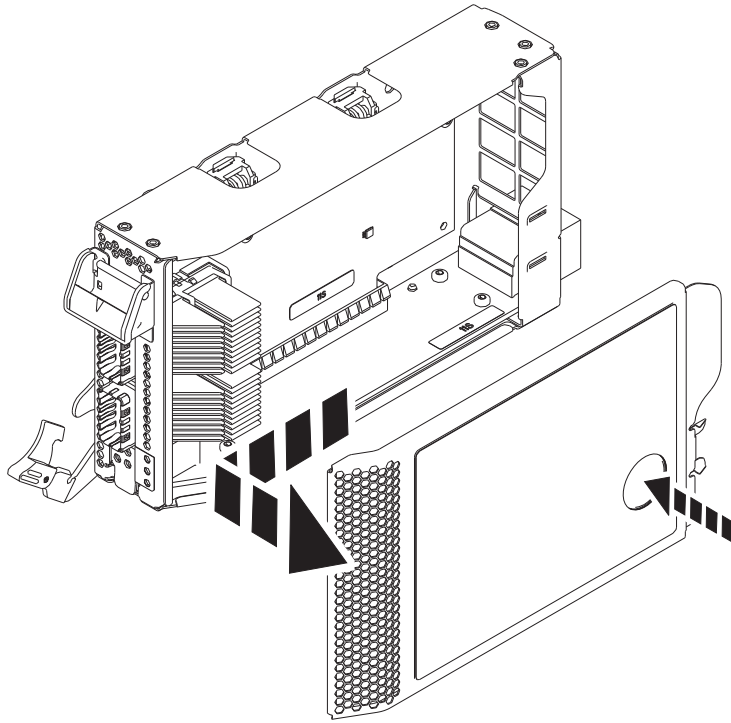
1. Perform the following procedure on ONLY THE FRU(s) BEING SERVICED. The following images are generic and do not represent the literal location being serviced.
2. Modifying FRU locations which are not called out for service can have adverse effects on the system, INCLUDING SYSTEM OUTAGE AND LOSS OF DATA.

Note: Only low-profile PCI adapters will fit in the PCI expansion card

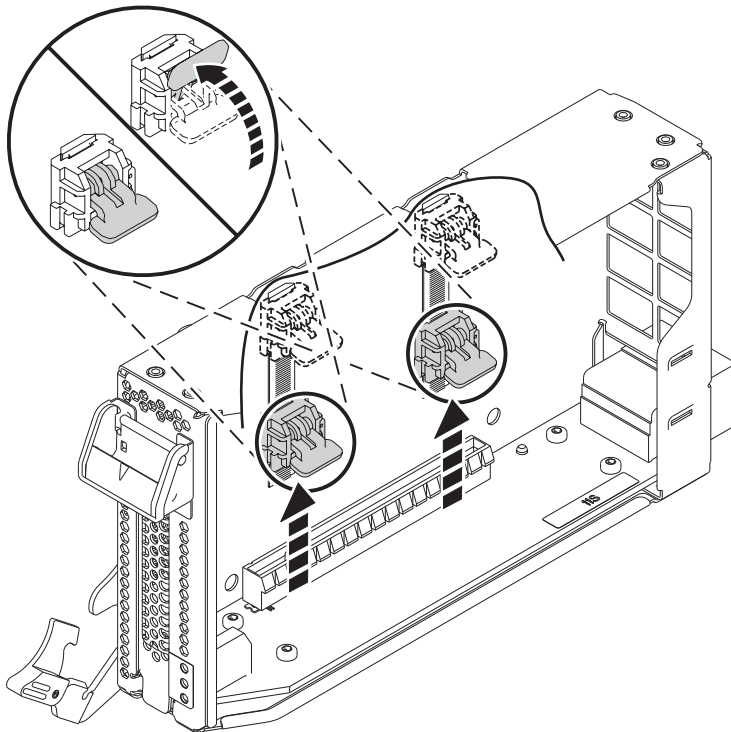
1. If cassette has NOT already been removed, remove and open the PCI expansion card cassette
 - a. Pull down on latch (A) to disengage, then slide the cassette out.



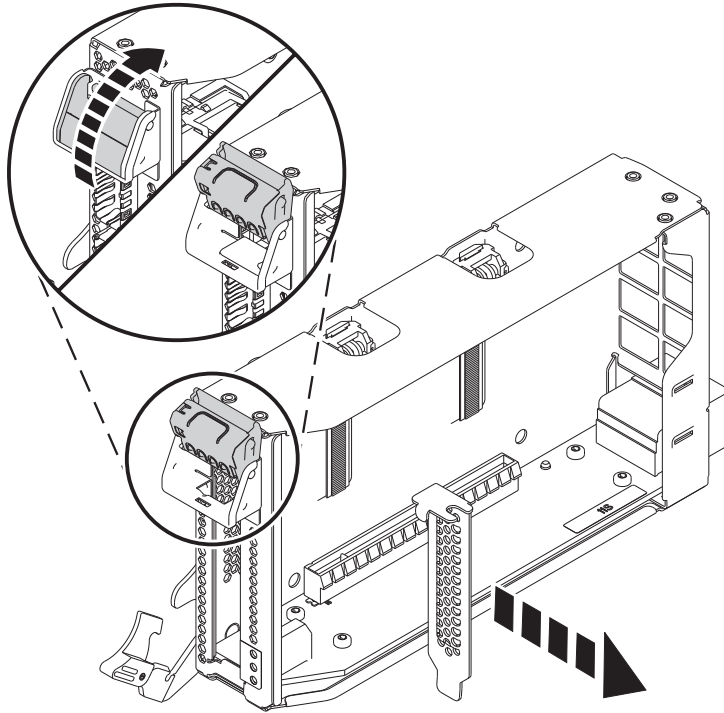
- b. Open the PCI cassette by pushing down on the button, and then slide off the cassette cover.



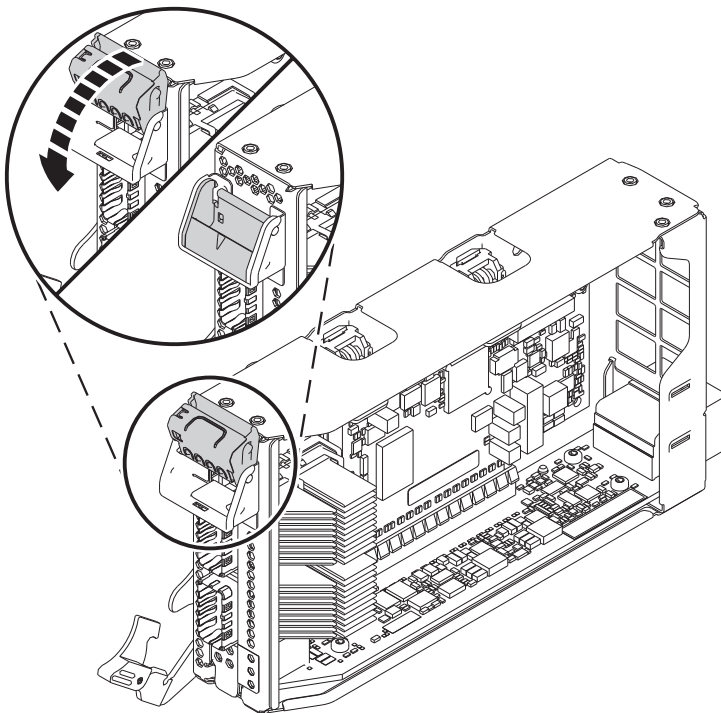
c. Flip up the card retention locking tabs and slide the retention latches up.



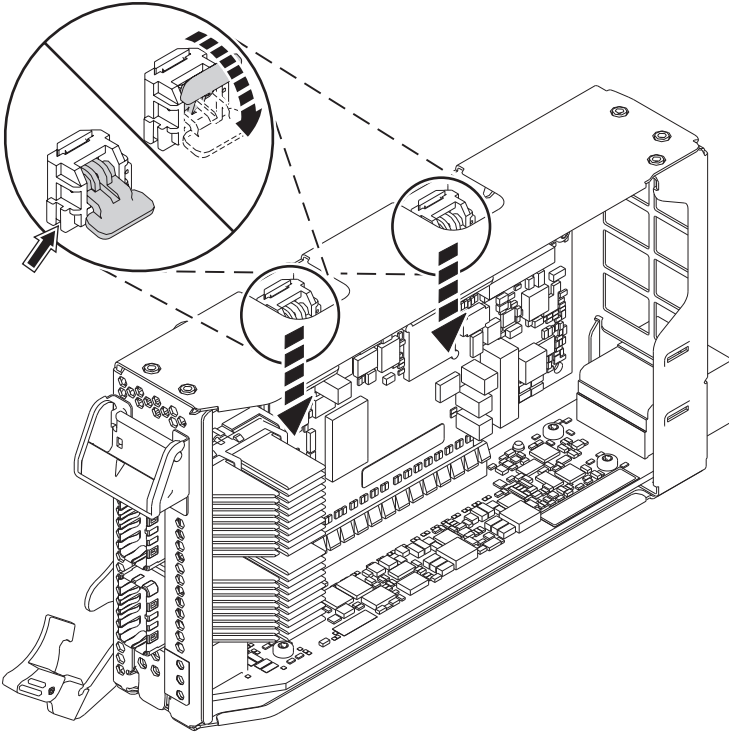
d. Pull up on the locking tab on the exterior of the cassette to release side connectors.



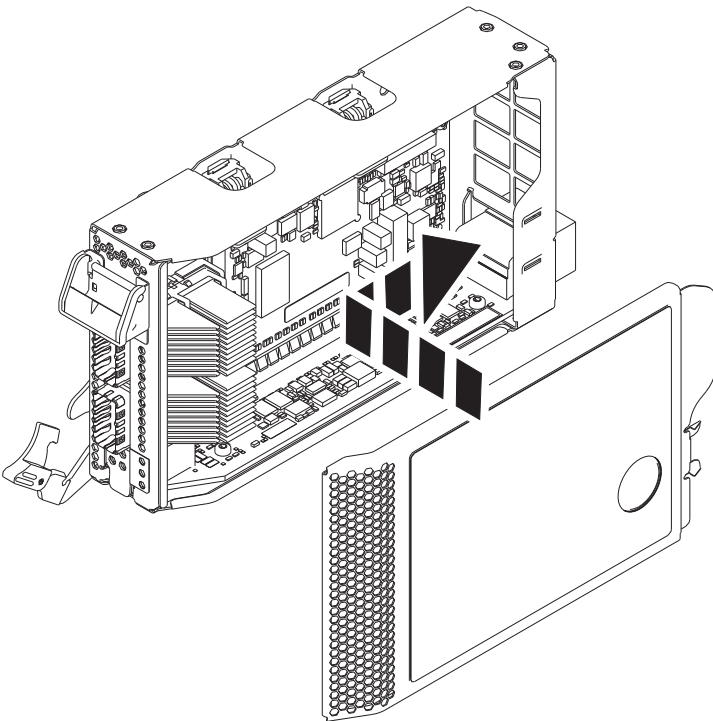
- e. If a tail stock filler is present, pull up on the card to remove it from the connector on the bottom of the cassette.
2. Push the card into the cassette and ensure it is properly seated into the connector on the bottom of the cassette. Close the external locking tab.



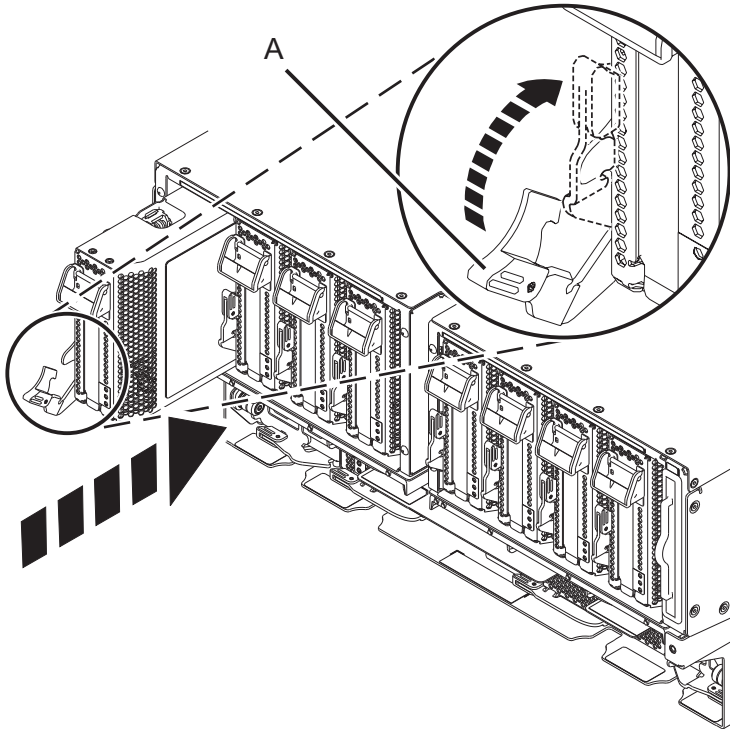
3. Slide down the retention latches over the card, and close the locking tabs



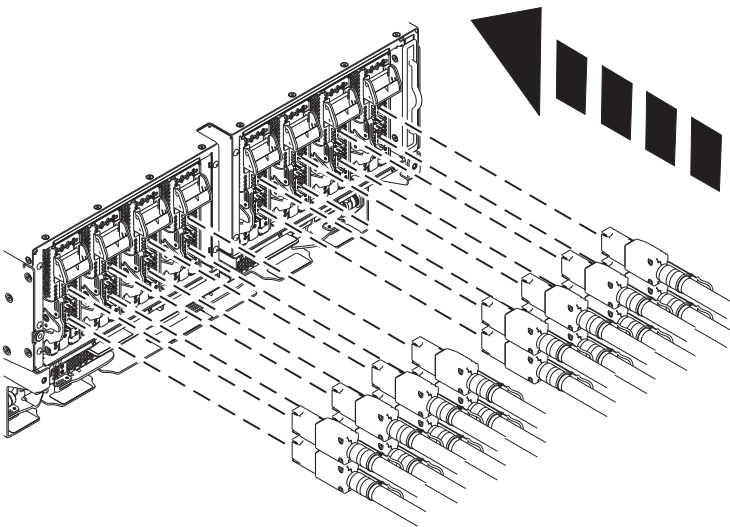
4. Put cover back onto cassette by inserting the prongs into the holes and pressing down to lock into place



5. Push the cassette into location and push on the latch (A) in to secure.



6. Connect cables



If performing this procedure from a management console, close this web page to continue with the procedure



Printed in USA