

Power Systems

Memory VRM

IBM

Power Systems

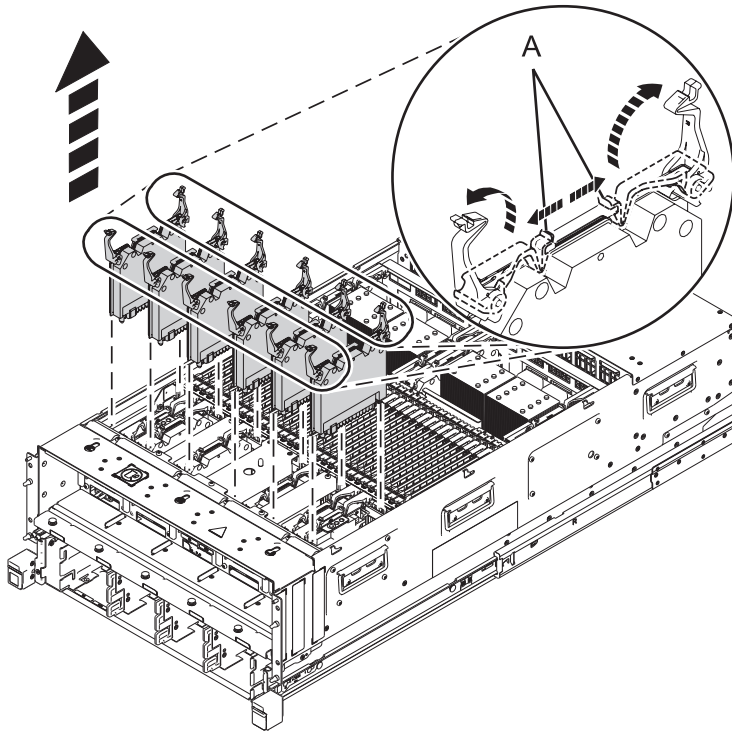
Memory VRM

IBM

Remove Memory VRM

To remove a memory VRM, complete the following steps:

1. Perform the following procedure on **ONLY THE FRU(s) BEING SERVICED**. The following images are generic and do not represent the literal location being serviced.
2. Modifying FRU locations which are not called out for service can have adverse effects on the system, **INCLUDING SYSTEM OUTAGE AND LOSS OF DATA**.
 1. Unlock the latches (A) and rotate the levers in the direction shown to unlock the Memory VRM.
 2. Holding the Memory VRM by the handles, pull upward, removing it from the system slot.

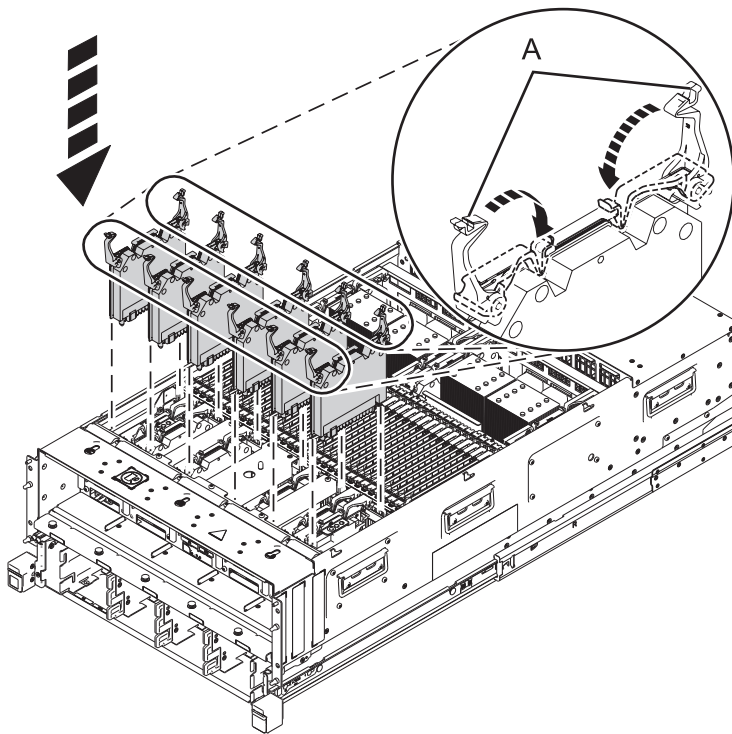


If performing this procedure from a management console, close this web page to continue with the procedure.

Install Memory VRM

To install a memory VRM, complete the following steps:

1. Perform the following procedure on **ONLY THE FRU(s) BEING SERVICED**. The following images are generic and do not represent the literal location being serviced.
2. Modifying FRU locations which are not called out for service can have adverse effects on the system, **INCLUDING SYSTEM OUTAGE AND LOSS OF DATA**.
1. With the levers (A) in the open position, hold the Memory VRM by the handles and lower into the system slot toward the connector.
2. Rotate the levers in the direction shown to push the Memory VRM into its connector. Press down on the levers to lock the levers and the Memory VRM in place.



If performing this procedure from a management console, close this web page to continue with the procedure.



Printed in USA