

Power Systems

*Global FSP Interface Card Cable*

**IBM**



Power Systems

*Global FSP Interface Card Cable*

**IBM**

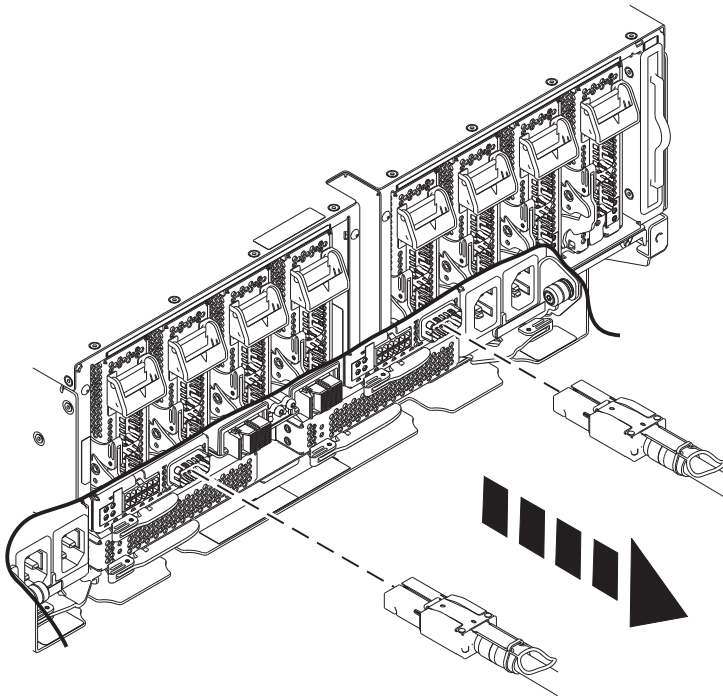


---

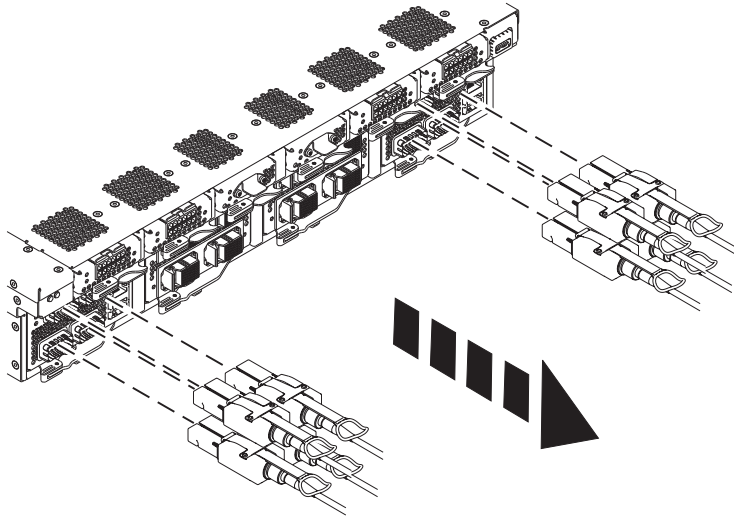
## Remove Global FSP Cable

To remove a global FSP cable, complete the following steps:

1. Label the cables as needed so you can install them into the same location.
  2. **Perform the following procedure on ONLY THE FRU(s) BEING SERVICED. The following images are generic and do not represent the literal location being serviced.**
  3. **Modifying FRU locations which are not called out for service can have adverse effects on the system, INCLUDING SYSTEM OUTAGE AND LOSS OF DATA.**
1. Disconnect the global FSP cable **being serviced** from the system node using the pull tab attached to the connector.



2. Loosen the hook-and-loop fastener securing the global FSP cable and unplug the other end of the FSP cable **being serviced** from the system controller using the pull tab attached to the connector.



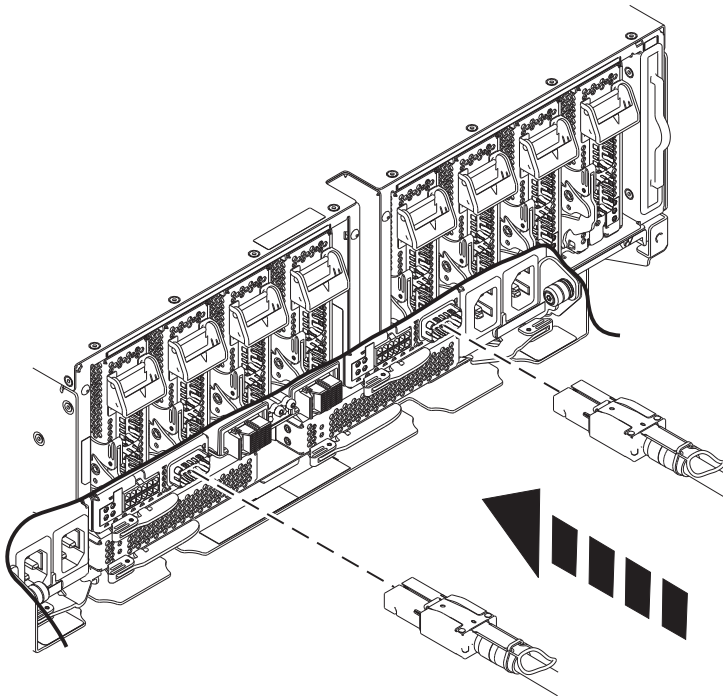
If performing this procedure from a management console, close this web page to continue with the procedure.

---

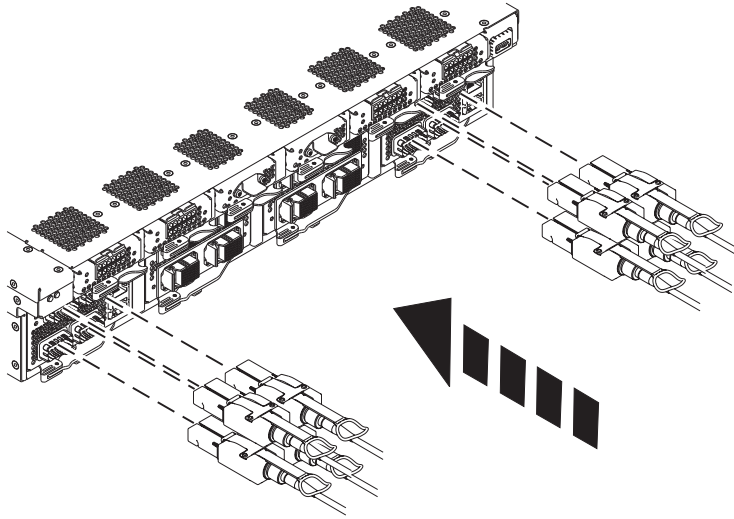
## Install Global FSP Cable

To install a global FSP cable, complete the following steps:

1. Perform the following procedure on **ONLY THE FRU(s) BEING SERVICED**. The following images are generic and do not represent the literal location being serviced.
2. Modifying FRU locations which are not called out for service can have adverse effects on the system, **INCLUDING SYSTEM OUTAGE AND LOSS OF DATA**.
1. Connect the global FSP cable **being serviced** to the system node by inserting the cable into the connector, the name of which is indicated on its label, until it locks into place.



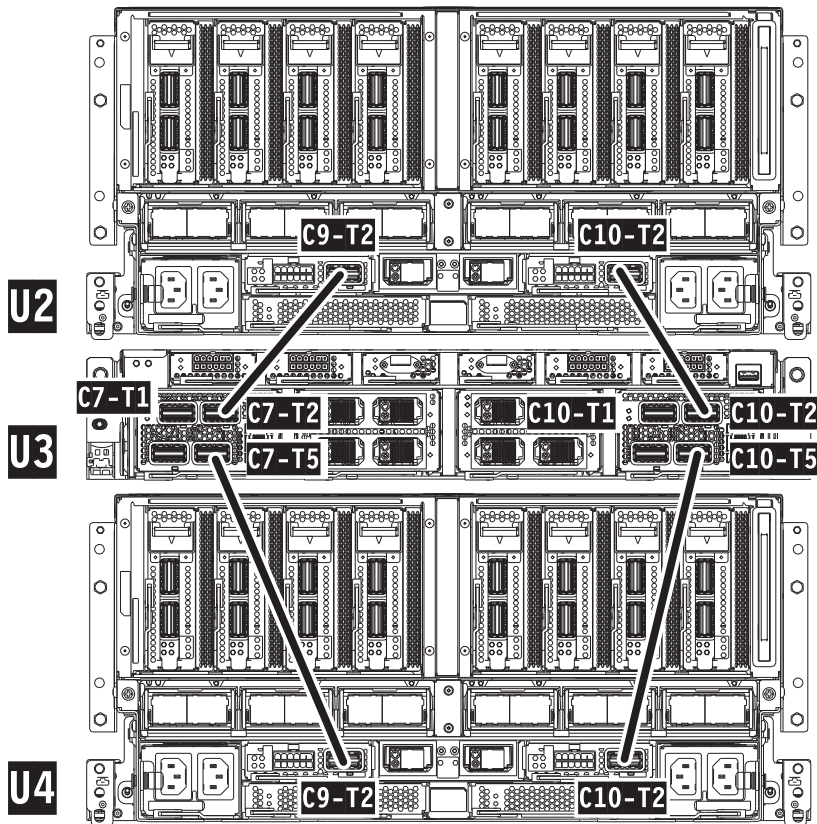
2. Plug the other end of the FSP cable into the system control unit by inserting the cable into the connector until it locks into place and secure it the side of the rack with the hook-and-loop fastener if it is present.



3. Lightly pull on the FSP cables from both attachment points to ensure it is locked into place. The cables should be firmly attached to the system.

**Note:** Pull gently on the cable backshell to make sure it is plugged in. Do not pull on the bulk wire. The following image shows the Global FSP cabling for a two-node system.

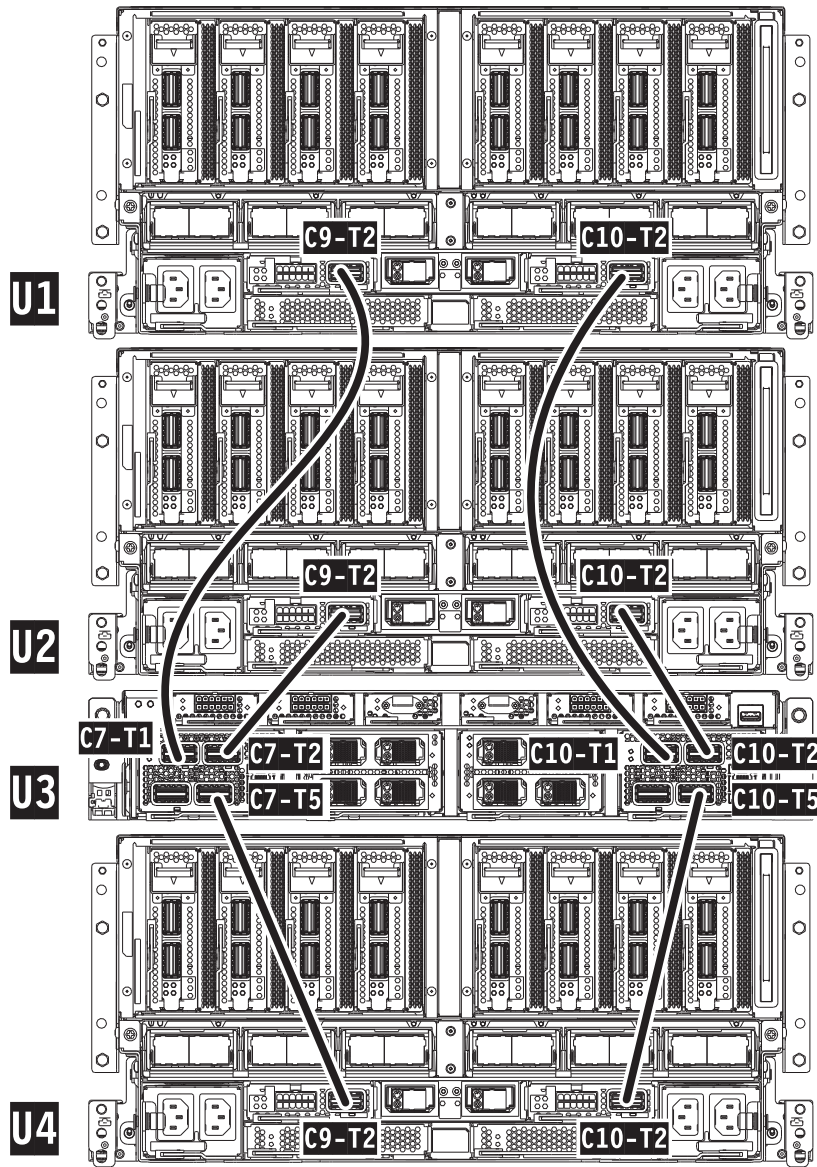




The following table describes the Global FSP cabling locations for a two-node system.

From	To
U3-C7-T2	U2-C9-T2
U3-C7-T5	U4-C9-T2
U3-C10-T2	U2-C10-T2
U3-C10-T5	U4-C10-T2

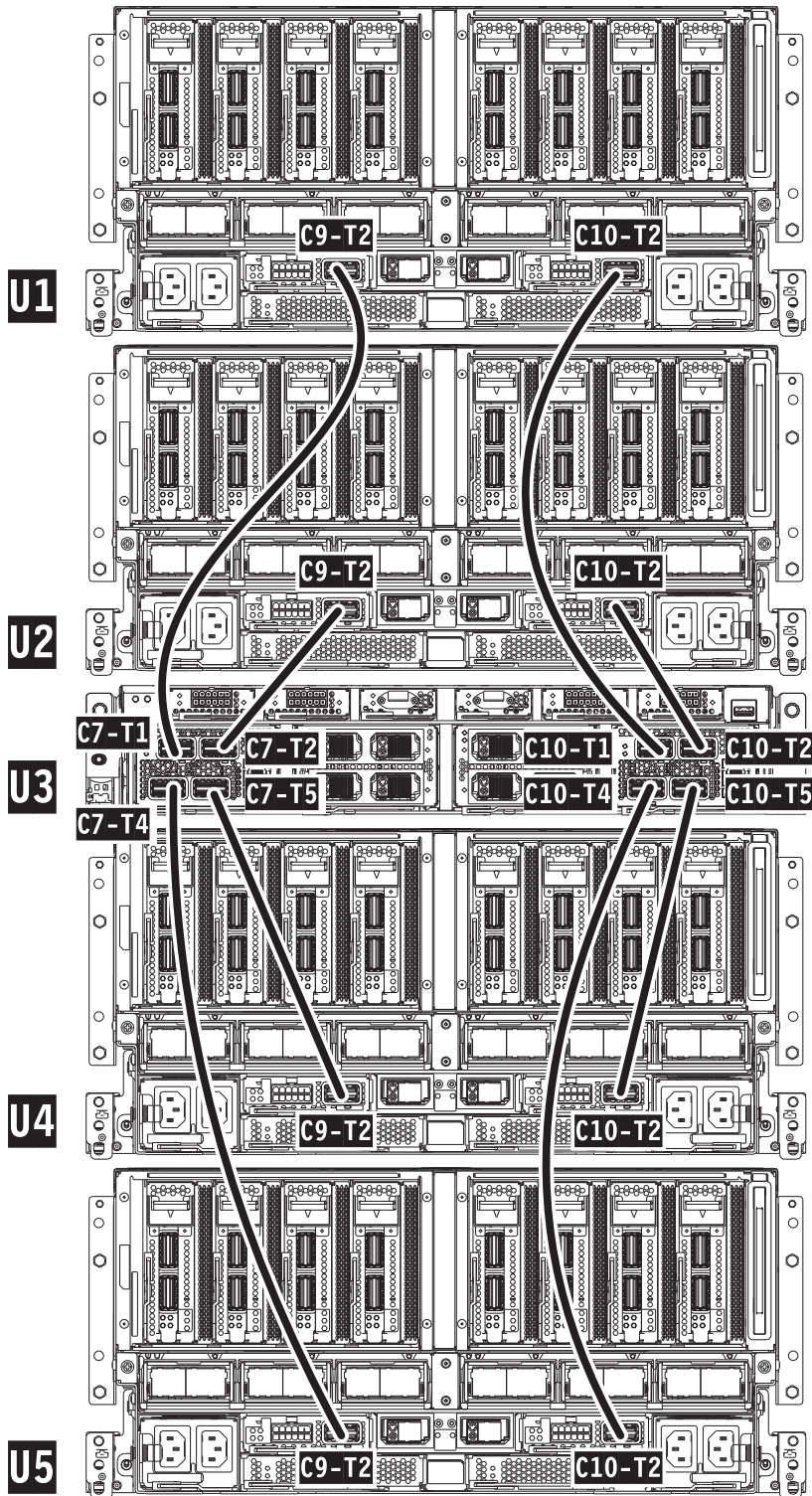
The following image shows the Global FSP cabling for a three-node system.



The following table describes the Global FSP cabling locations for a three-node system.

From	To
U3-C7-T1	U1-C9-T2
U3-C7-T2	U2-C9-T2
U3-C7-T5	U4-C9-T2
U3-C10-T1	U1-C10-T2
U3-C10-T2	U2-C10-T2
U3-C10-T5	U4-C10-T2

The following image shows the Global FSP cabling for a four-node system.



The following table describes the Global FSP cabling locations for a four-node system.

From	To
U3-C7-T1	U1-C9-T2
U3-C7-T2	U2-C9-T2
U3-C7-T4	U5-C9-T2

<b>From</b>	<b>To</b>
U3-C7-T5	U4-C9-T2
U3-C10-T1	U1-C10-T2
U3-C10-T2	U2-C10-T2
U3-C10-T4	U5-C10-T2
U3-C10-T5	U4-C10-T2

If performing this procedure from a management console, close this web page to continue with the procedure.





Printed in USA