

Power Systems

Fan

IBM

Power Systems

Fan

IBM

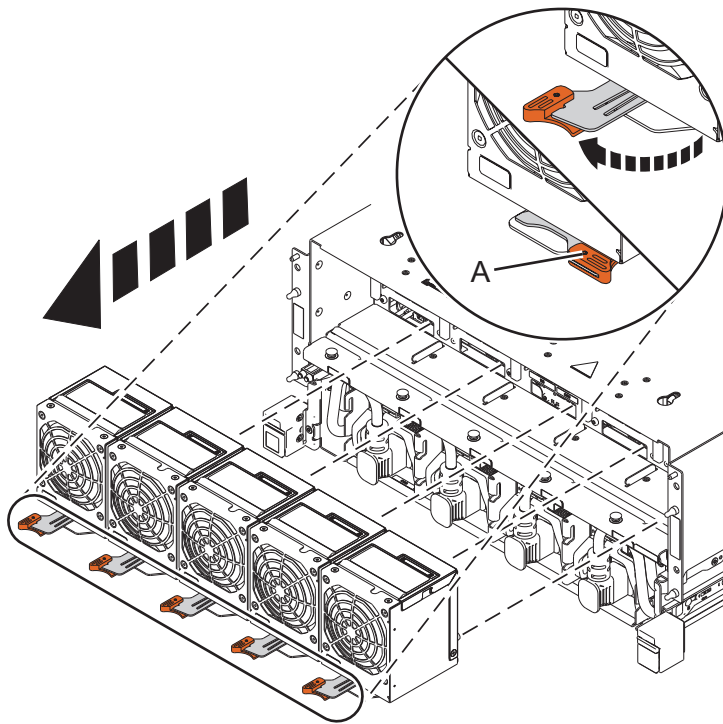
Remove Fan

To remove a fan, complete the following steps:

1. Perform the following procedure on ONLY THE FRU(s) BEING SERVICED. The following images are generic and do not represent the literal location being serviced.
2. Modifying FRU locations which are not called out for service can have adverse effects on the system, INCLUDING SYSTEM OUTAGE AND LOSS OF DATA.
1. Pull the latch (A) and move it from right to left to unlock the fan from its slot.

Note: The latch (A) is held in place by tension on the catch point. You may have to press in on the lever to the left of the latch to release tension in order to unlock it.

2. Slide the fan out of the slot.

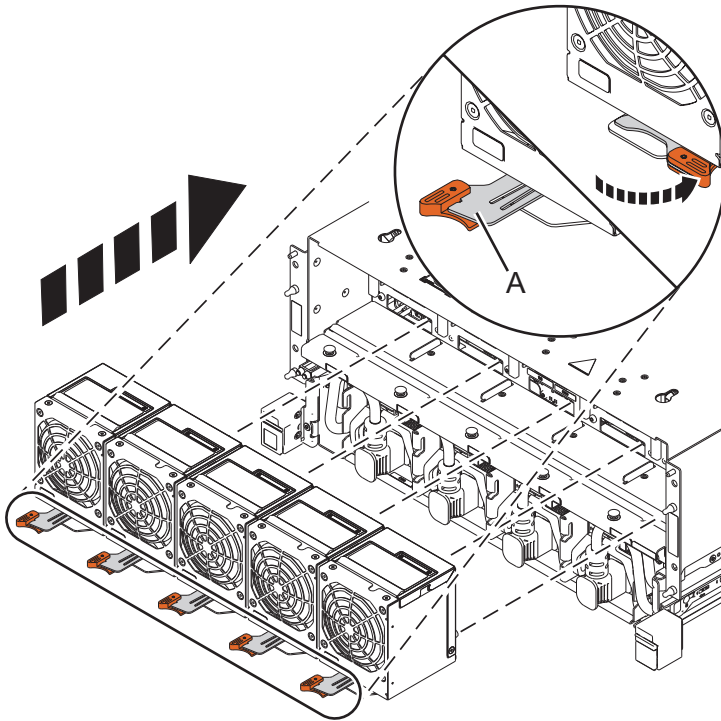


If performing this procedure from a management console, close this web page to continue with the procedure.

Install Fan

To install a fan, complete the following steps:

1. Perform the following procedure on **ONLY THE FRU(s) BEING SERVICED**. The following images are generic and do not represent the literal location being serviced.
 2. Modifying FRU locations which are not called out for service can have adverse effects on the system, **INCLUDING SYSTEM OUTAGE AND LOSS OF DATA**.
1. Insert the fan in the slot. When inserting, connector has to clear the sheet metal opening in the rear.
 2. Move the latch (A) from left to right to lock the unit.



If performing this procedure from a management console, close this web page to continue with the procedure.



Printed in USA