

Power Systems

Clock Card

IBM

Power Systems

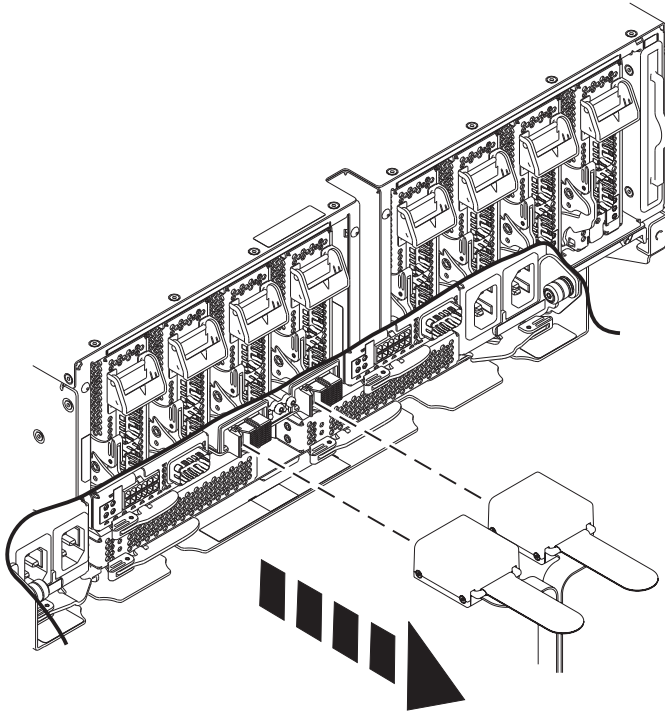
Clock Card

IBM

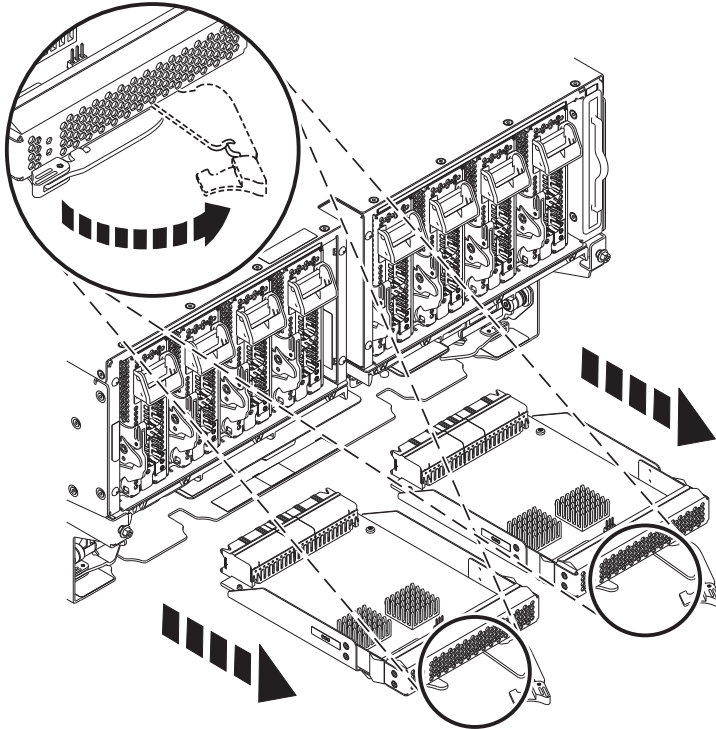
Remove Clock Card

To remove a clock card, complete the following steps:

1. Perform the following procedure on ONLY THE FRU(s) BEING SERVICED. The following images are generic and do not represent the literal location being serviced.
2. Modifying FRU locations which are not called out for service can have adverse effects on the system, INCLUDING SYSTEM OUTAGE AND LOSS OF DATA.
1. Removal of the clock cables from the system node should not be needed for clock card removal; however, if it is determined necessary to remove the clock cable, proceed with the following clock cable removal steps.
2. Label the clock cables so they can be plugged back into the same location.
3. Remove the clock card cable from the system node by pushing the clock cable in slightly, then pull the locking tab to release the latch and pull cable out.



4. Pull on the securing latch, and slide the lever to the right.
5. While moving the SMP cables out of the way, pull the clock card out of the slot.

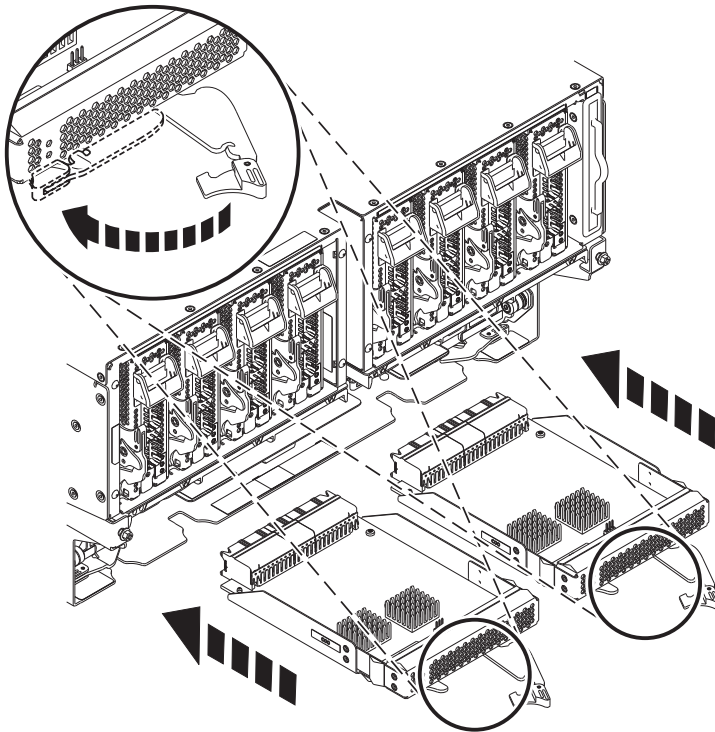


If performing this procedure from a management console, close this web page to continue with the procedure.

Install Clock Card

To install a clock card, complete the following steps:

1. Perform the following procedure on **ONLY THE FRU(s) BEING SERVICED**. The following images are generic and do not represent the literal location being serviced.
2. Modifying FRU locations which are not called out for service can have adverse effects on the system, **INCLUDING SYSTEM OUTAGE AND LOSS OF DATA**.
 1. While moving the SMP cables out of the way, push the card into the slot.
 2. Push the securing latch to the left and make sure it secures into place.



3. If clock cables were previously removed, proceed with the clock cable installation steps.
4. **Note: The clock flex cables are point to point cables designed for their fixed locations and should not be stretched when installing. Stretching the cable during installation may lead to misplugging and bent pins.**
5. If you have a single node system configuration, use the diagram and the *Single System Node to System Control Unit* Table below to determine point to point cabling for the clock flex cables.

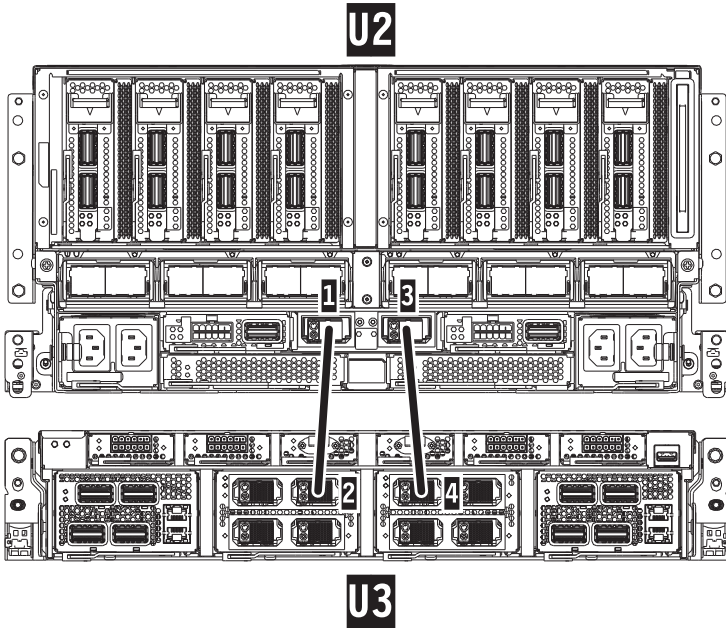


Table 1. Single System Node to System Control Unit Clock Card Cabling

Index Number	From: (U-Loc)	Cable Type	Index Number	To: (U-Loc)
1	U2: P1-T7	Short Clock Flex Cable (Left)	2	U3: P1-C8-T2
3	U2: P1-T8	Short Clock Flex Cable (Right)	4	U3: P1-C9-T1

6. If you have a two node system configuration, use the diagram and the *Two System Nodes to System Control Unit* Table below to determine point to point cabling for the clock flex cables.

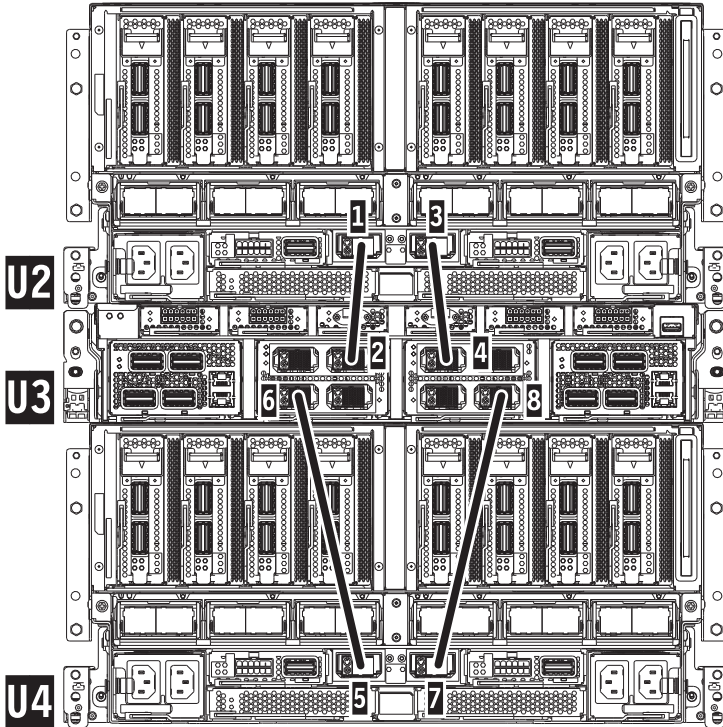


Table 2. Two System Nodes to System Control Unit Clock Card Cabling

Index Number	From: (U-Loc)	Cable Type	Index Number	To: (U-Loc)
1	U2: P1-T7	Short Clock Flex Cable (Left)	2	U3: P1-C8-T2
3	U2: P1-T8	Short Clock Flex Cable (Right)	4	U3: P1-C9-T1
5	U4: P1-T7	Long Clock Flex Cable (Left)	6	U3: P1-C8-T3
7	U4: P1-T8	Long Clock Flex Cable (Right)	8	U3: P1-C9-T4

7. If you have a three node system configuration, use the diagram and the *Three System Node to System Control Unit* Table below to determine point to point cabling for the clock flex cables.

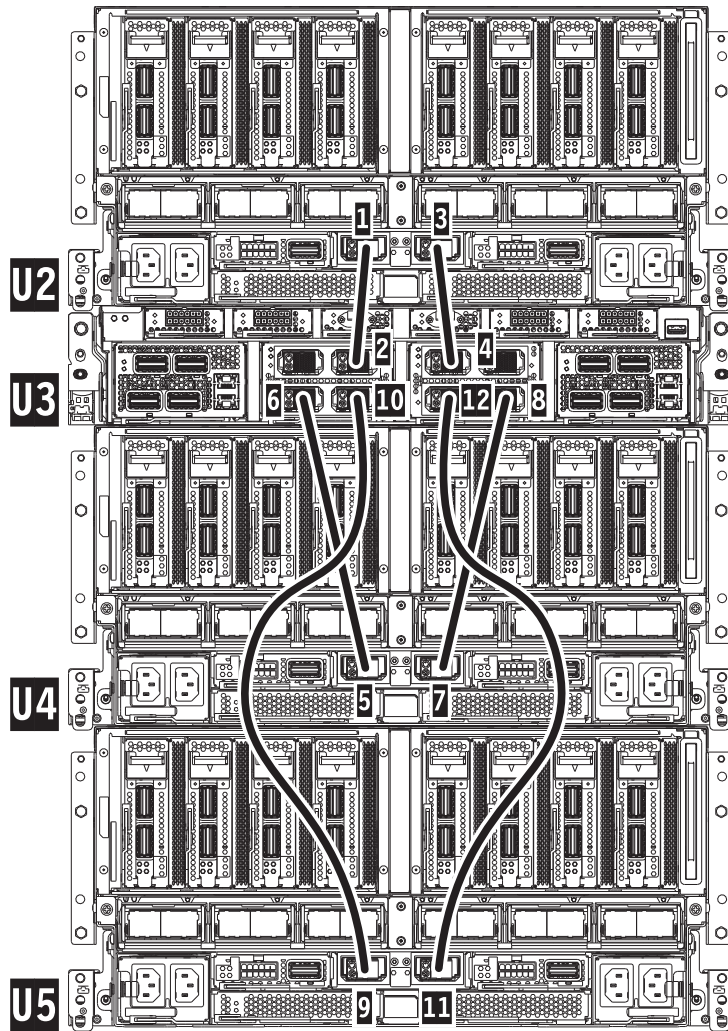


Table 3. Three System Node to System Control Unit Clock Card Cabling

Index Number	From: (U-Loc)	Cable Type	Index Number	To: (U-Loc)
1	U2: P1-T7	Short Clock Flex Cable (Left)	2	U3: P1-C8-T2
3	U2: P1-T8	Short Clock Flex Cable (Right)	4	U3: P1-C9-T1
5	U4: P1-T7	Long Clock Flex Cable (Left)	6	U3: P1-C8-T3
7	U4: P1-T8	Long Clock Flex Cable (Right)	8	U3: P1-C9-T4
9	U5: P1-T7	Long Clock Flex Cable (Left)	10	U3: P1-C8-T4
11	U5: P1-T8	Long Clock Flex Cable (Right)	12	U3: P1-C9-T3

8. If you have a four node system configuration, use the diagram and the *Four System Node to System Control Unit* Table below to determine point to point cabling for the clock flex cables.

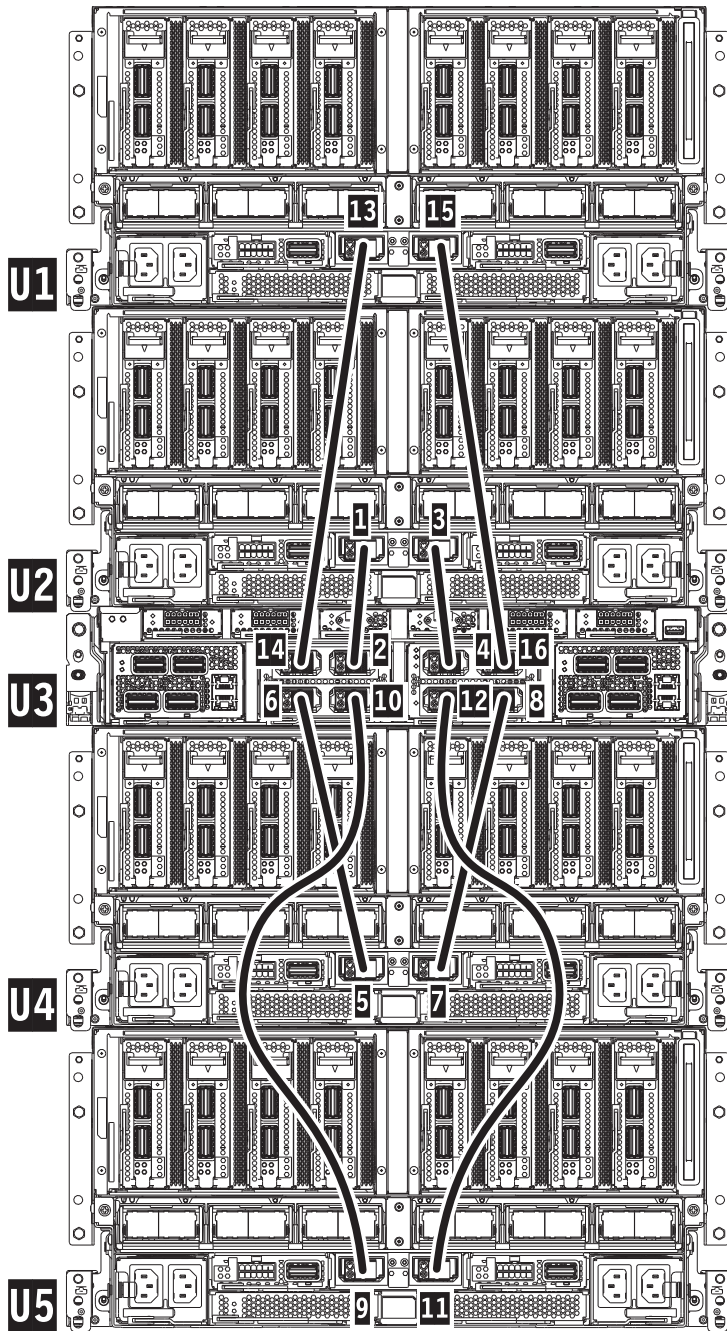


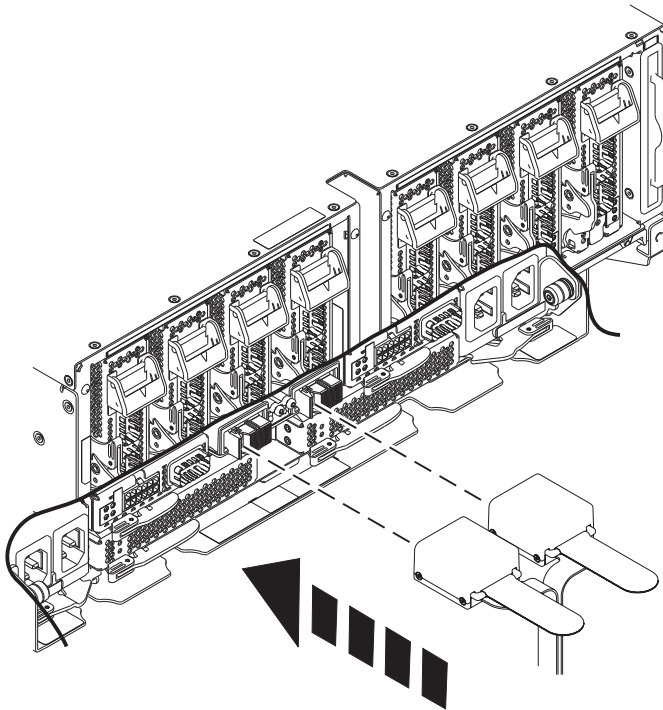
Table 4. Four System Node to System Control Unit Clock Card Cabling

Index Number	From: (U-Loc)	Cable Type	Index Number	To: (U-Loc)
1	U2: P1-T7	Short Clock Flex Cable (Left)	2	U3: P1-C8-T2
3	U2: P1-T8	Short Clock Flex Cable (Right)	4	U3: P1-C9-T1
5	U4: P1-T7	Long Clock Flex Cable (Left)	6	U3: P1-C8-T3
7	U4: P1-T8	Long Clock Flex Cable (Right)	8	U3: P1-C9-T4

Table 4. Four System Node to System Control Unit Clock Card Cabling (continued)

Index Number	From: (U-Loc)	Cable Type	Index Number	To: (U-Loc)
9	U5: P1-T7	Long Clock Flex Cable (Left)	10	U3: P1-C8-T4
11	U5: P1-T8	Long Clock Flex Cable (Right)	12	U3: P1-C9-T3
13	U1: P1-T7	Long Clock Flex Cable (Left)	14	U3: P1-C8-T1
15	U1: P1-T8	Long Clock Flex Cable (Right)	16	U3: P1-C9-T2

9. Push the cable into the slot in which it was originally located on the system node. The connectors are keyed and can only be seated in one way.



If performing this procedure from a management console, close this web page to continue with the procedure.



Printed in USA