

Power Systems

CPU VRM

IBM

Power Systems

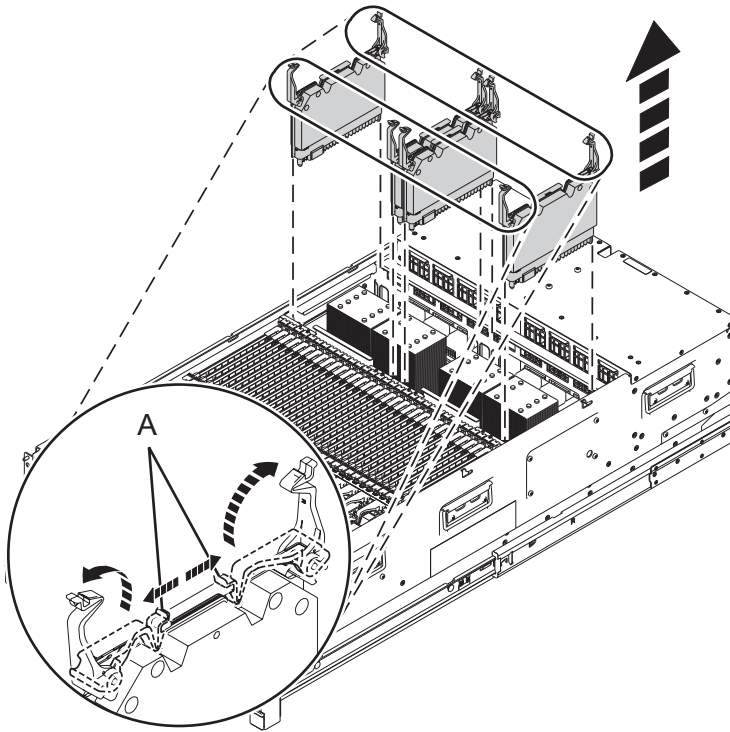
CPU VRM

IBM

Remove CPU VRM

To remove a CPU VRM, complete the following steps:

1. Perform the following procedure on ONLY THE FRU(s) BEING SERVICED. The following images are generic and do not represent the literal location being serviced.
2. Modifying FRU locations which are not called out for service can have adverse effects on the system, INCLUDING SYSTEM OUTAGE AND LOSS OF DATA.
 1. Unlock the latches (A) and rotate the levers in the direction shown to unlock the CPU VRM.
 2. Holding the CPU VRM by the handles, pull upward, removing it from the system slot.

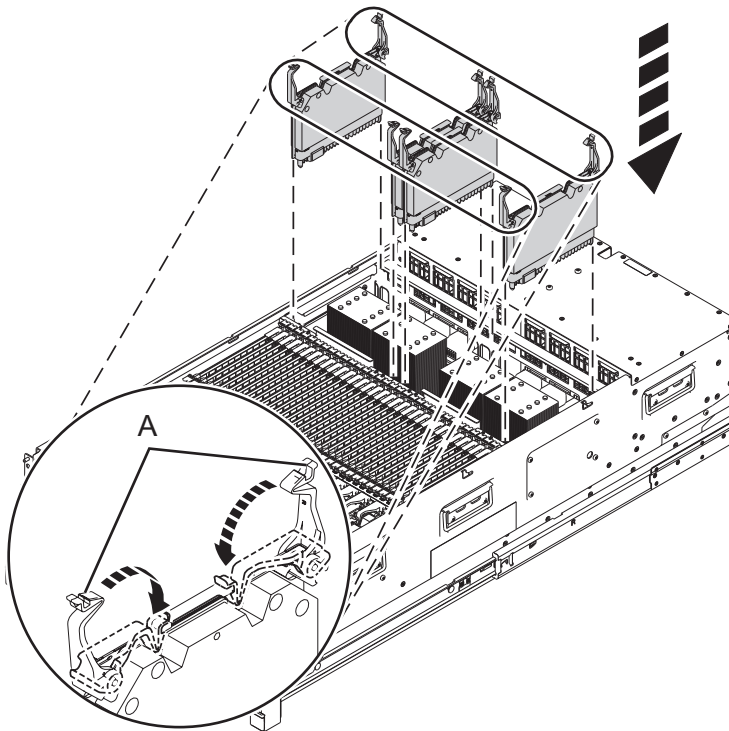


If performing this procedure from a management console, close this web page to continue with the procedure.

Install CPU VRM

To install a CPU VRM, complete the following steps:

1. Perform the following procedure on **ONLY THE FRU(s) BEING SERVICED**. The following images are generic and do not represent the literal location being serviced.
2. Modifying FRU locations which are not called out for service can have adverse effects on the system, **INCLUDING SYSTEM OUTAGE AND LOSS OF DATA**.
1. With the levers (A) in the open position, hold the CPU VRM by the handles and lower into the system slot toward the connector.
2. Rotate the levers in the direction shown to push the CPU VRM into its connector.
3. Press down on the levers to lock the levers and the CPU VRM in place.



If performing this procedure from a management console, close this web page to continue with the procedure.



Printed in USA