

Power Systems

Power APSS Card

IBM

Power Systems

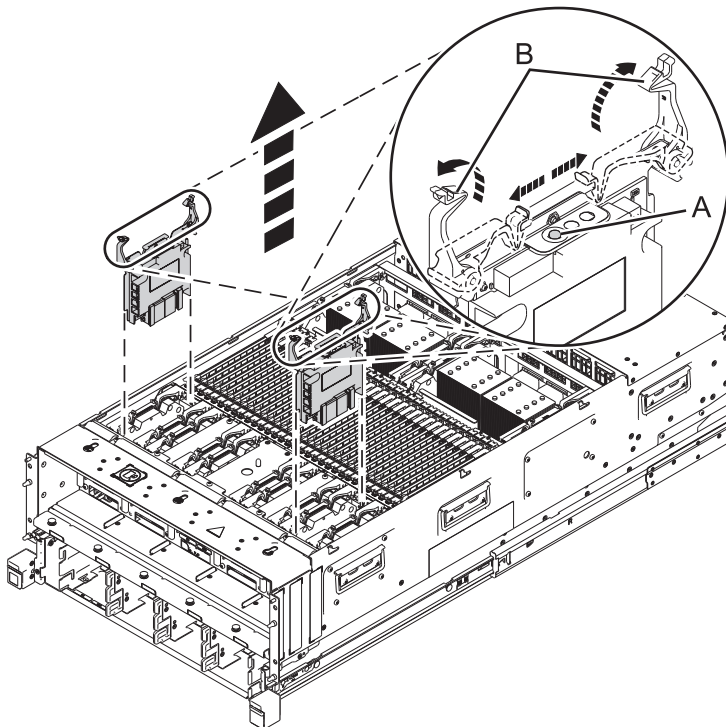
Power APSS Card

IBM

Remove Power APSS Card

To remove a Power APSS card, complete the following steps:

1. Perform the following procedure on ONLY THE FRU(s) BEING SERVICED. The following images are generic and do not represent the literal location being serviced.
2. Modifying FRU locations which are not called out for service can have adverse effects on the system, INCLUDING SYSTEM OUTAGE AND LOSS OF DATA.
 1. Be careful not to damage the identification LED activation button (A) during the next step.
 2. Unlock the latches (B) and rotate the levers in the direction shown to unlock the Power APSS card.
 3. Holding the Power APSS card by the handles, pull upward, removing it from the system slot.

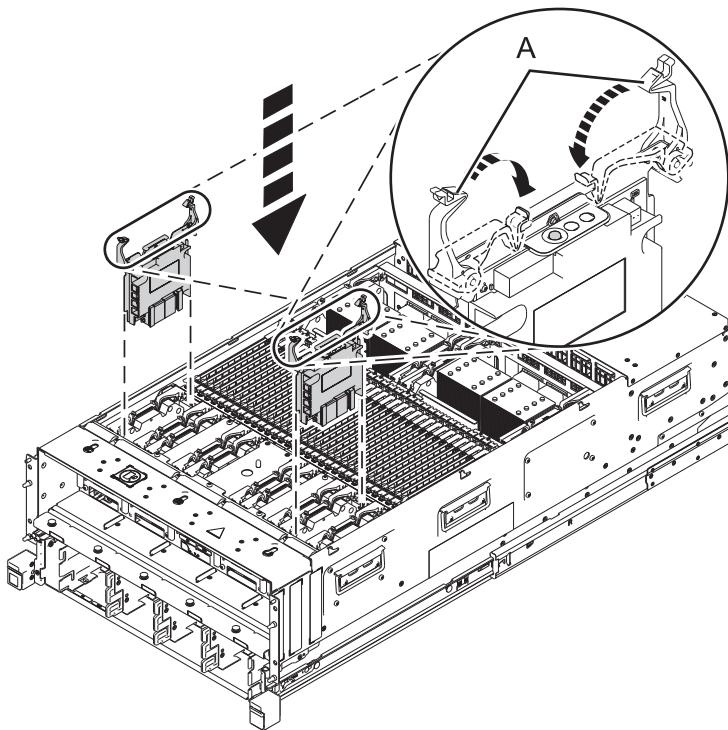


If performing this procedure from a management console, close this web page to continue with the procedure.

Install Power APSS Card

To install a Power APSS card, complete the following steps:

1. Perform the following procedure on ONLY THE FRU(s) BEING SERVICED. The following images are generic and do not represent the literal location being serviced.
2. Modifying FRU locations which are not called out for service can have adverse effects on the system, INCLUDING SYSTEM OUTAGE AND LOSS OF DATA.
1. With the levers (A) in the open position, hold the Power APSS card by the handles and lower into the system slot toward the connector.
2. Rotate the levers in the direction shown to push the Power APSS card into its connector. Press down on the levers to lock the levers and the Power APSS card in place.



If performing this procedure from a management console, close this web page to continue with the procedure.



Printed in USA