

Power Systems

*FSP*

**IBM**



Power Systems

*FSP*

**IBM**

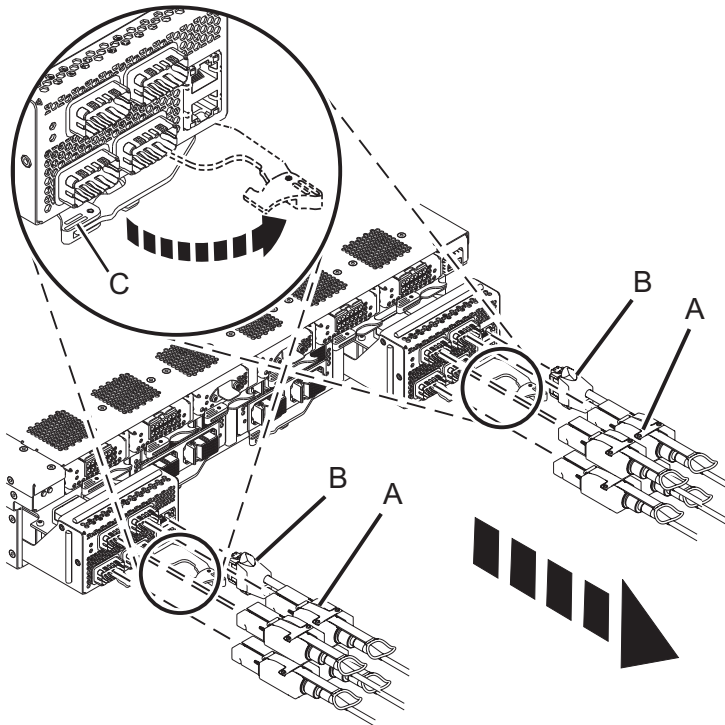


---

## Remove FSP Card

To remove a FSP card, complete the following steps:

1. Perform the following procedure on ONLY THE FRU(s) BEING SERVICED. The following images are generic and do not represent the literal location being serviced.
2. Modifying FRU locations which are not called out for service can have adverse effects on the system, INCLUDING SYSTEM OUTAGE AND LOSS OF DATA.
1. Label all FSP cables and loosen the hook-and-loop fasteners securing them to the rack. Disconnect them(A) from the card **being serviced** using the pull tab attached to each connector.
2. Disconnect the HMC cable (B) from the card **being serviced**.
3. Unlock the FSP card **being serviced** by moving the blue handled locking lever (C) from left to right.
4. Remove the FSP card **being serviced** by sliding it out of the system enclosure by pulling on the blue handled locking lever.



If performing this procedure from a management console, close this web page to continue with the procedure.

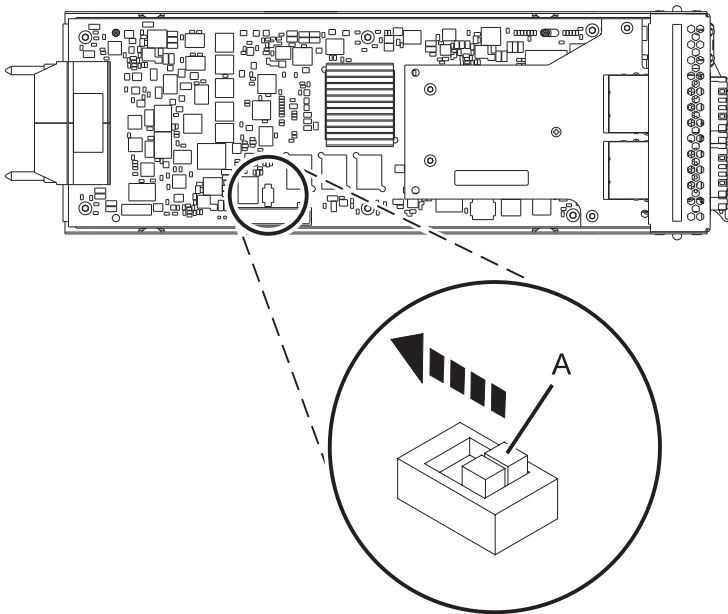


---

## Install FSP Card

To install a FSP card, complete the following steps:

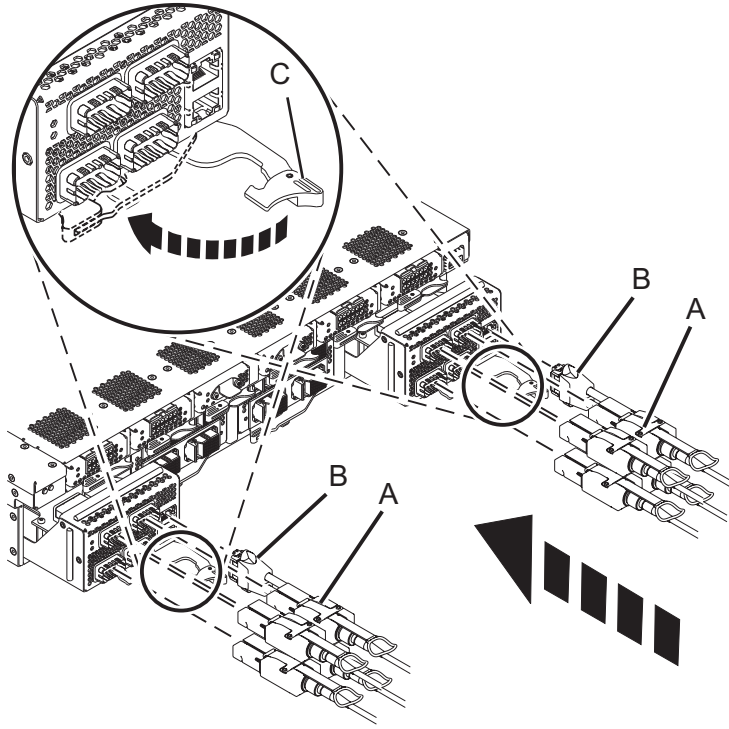
1. Perform the following procedure on **ONLY THE FRU(s) BEING SERVICED**. The following images are generic and do not represent the literal location being serviced.
2. Modifying FRU locations which are not called out for service can have adverse effects on the system, **INCLUDING SYSTEM OUTAGE AND LOSS OF DATA**.
1. The new FSP contains reset toggle switches that will delete any existing data on the card. There may be a plastic material covering the switches. If so, pull back this cover. Move both of the service processor reset toggle switches from their current position to the opposite position.



2. With the blue handled locking lever in the unlocked position, install the FSP card by inserting it into the system enclosure and sliding it into place
3. Lock the FSP card by moving the blue handled locking lever (C) from right to left.
4. Reconnect the FSP cables (A), pushing them in until they lock in place and secure each cable to the side of the rack with the hook-and-loop fastener if it is present.
5. Lightly pull on each FSP cable from its backshell from both attachment points to ensure it is locked into place. The cables should be firmly attached to the system.

**Note:** Don't pull the bulk wire.

6. Reconnect the HMC cable (B), pushing it in until it locks in place.



If performing this procedure from a management console, close this web page to continue with the procedure.







Printed in USA