

Power Systems

PCI Cable

IBM

Power Systems

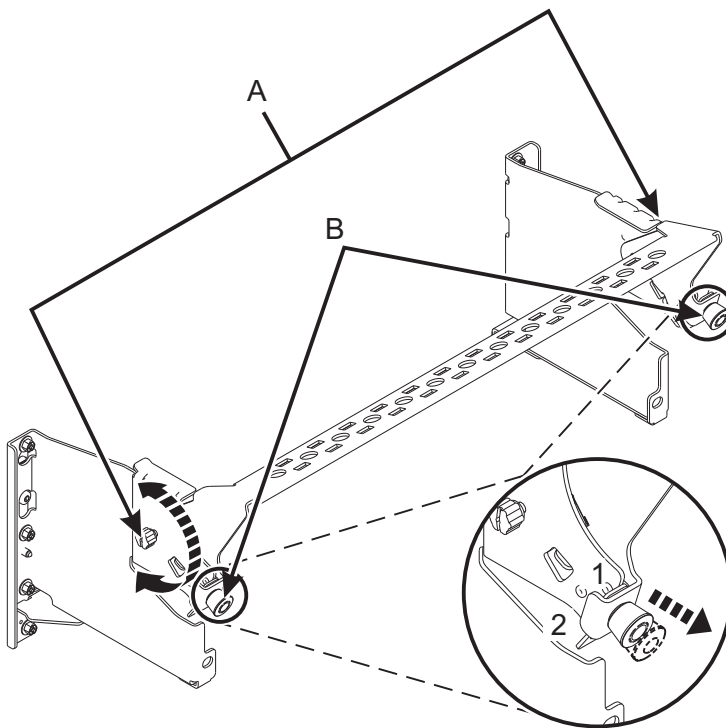
PCI Cable

IBM

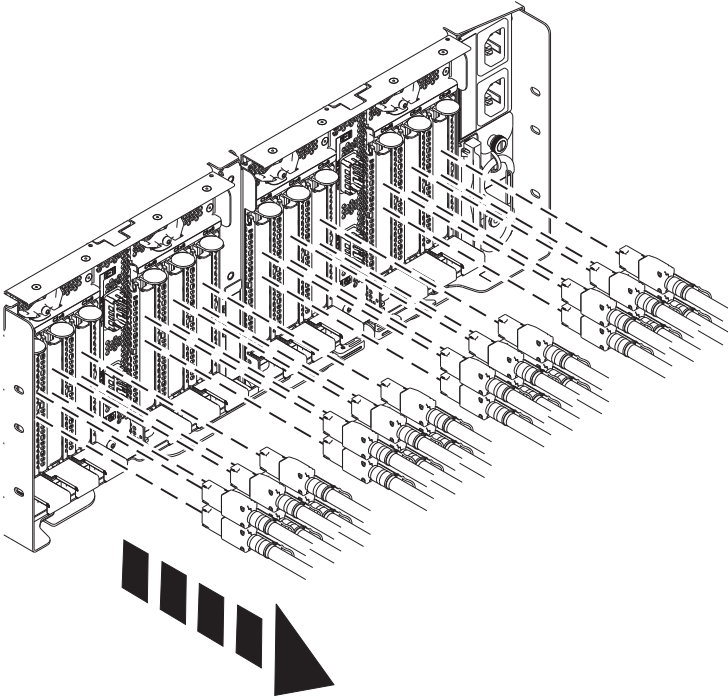
Remove Expansion Drawer Cable

To remove an expansion drawer cable, complete the following steps:

1. Perform the following procedure on ONLY THE FRU(s) BEING SERVICED. The following images are generic and do not represent the literal location being serviced.
2. Modifying FRU locations which are not called out for service can have adverse effects on the system, INCLUDING SYSTEM OUTAGE AND LOSS OF DATA.
1. If the expansion drawer cable is connected to a system node with a cable management arm, raise the cable management arm.
 - a. Pull out the retention pins **B** and rotate the cable management arm up on the pivot point **A**. The pins will automatically retract into the locking position when the arm is properly located in the up position.



2. Label and unplug the expansion drawer cable **being serviced** from the I/O expansion drawer.



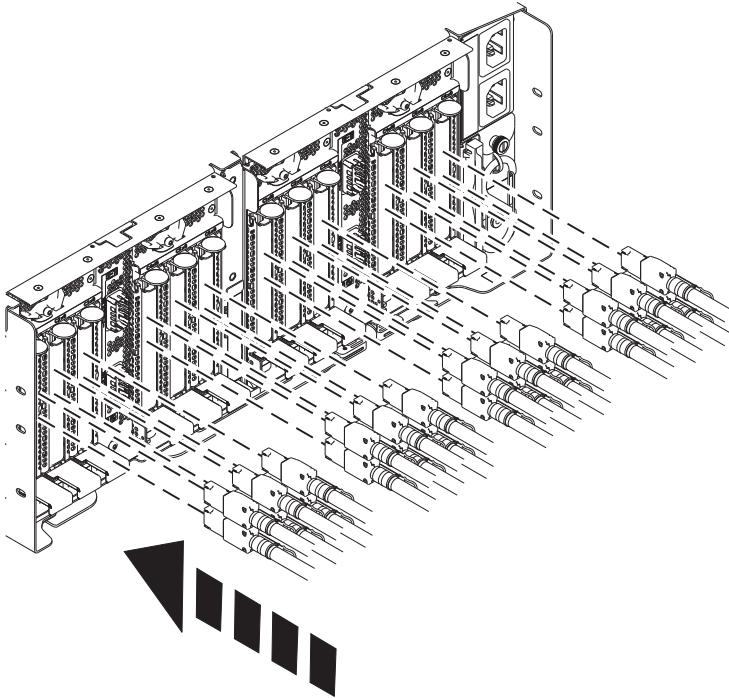
3. Label and unplug the expansion drawer cable from the device to which it is connected.

If performing this procedure from a management console, close this web page to continue with the procedure.

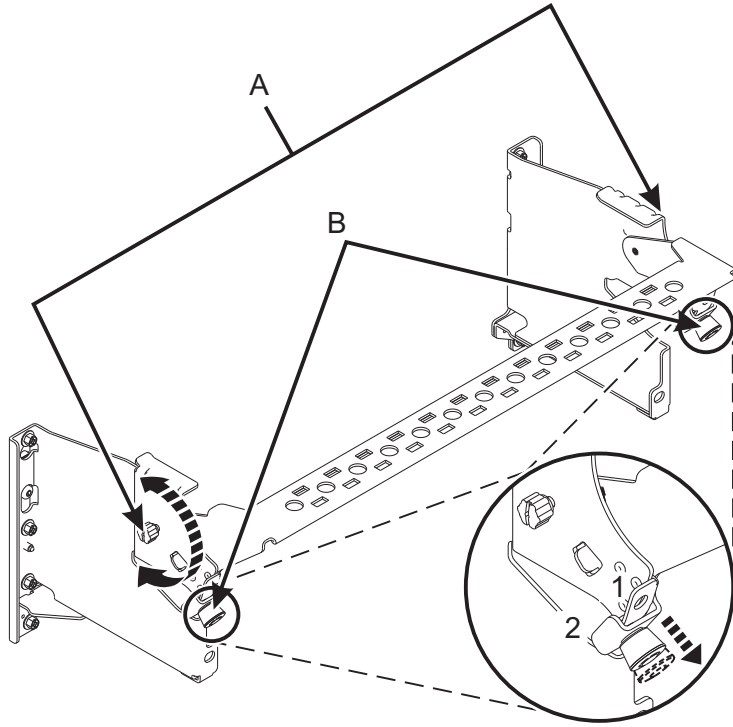
Install Expansion Drawer Cable

To install an expansion drawer cable, complete the following steps:

1. Perform the following procedure on **ONLY THE FRU(s) BEING SERVICED**. The following images are generic and do not represent the literal location being serviced.
2. Modifying FRU locations which are not called out for service can have adverse effects on the system, **INCLUDING SYSTEM OUTAGE AND LOSS OF DATA**.
1. Plug the expansion drawer cable **being serviced** into the I/O expansion drawer.



2. Plug the expansion drawer cable into the device to which it should be connected.
3. If the expansion drawer cable is connected to a system node with a cable management arm, lower the cable management arm.
 - a. Pull out the retention pins **B** and rotate the cable management arm down on the pivot point **A**. The pins will automatically retract into the locking position when the arm is properly located in the down position.



If performing this procedure from a management console, close this web page to continue with the procedure.



Printed in USA