

Power Systems

*Disk drives or solid-state drives for the
8233-E8B or 8236-E8C*

IBM

Power Systems

*Disk drives or solid-state drives for the
8233-E8B or 8236-E8C*

IBM

Note

Before using this information and the product it supports, read the information in "Safety notices" on page vii, "Notices" on page 169, the *IBM Systems Safety Notices* manual, G229-9054, and the *IBM Environmental Notices and User Guide*, Z125-5823.

This edition applies to IBM Power Systems servers that contain the POWER7 processor and to all associated models.

© Copyright IBM Corporation 2010, 2011.

US Government Users Restricted Rights – Use, duplication or disclosure restricted by GSA ADP Schedule Contract with IBM Corp.

Contents

Safety notices	vii
---------------------------------	------------

Disk drives or solid-state drives for the 8233-E8B or 8236-E8C	1
---	----------

Installing a disk drive or solid-state drive in the 8233-E8B or 8236-E8C	1
Solid-state drive configuration rules for the 8233-E8B or 8236-E8C	1
Installing a disk drive or solid-state drive with the AIX system or logical partition power turned on	3
Preparing the system	5
Preparing to install a disk drive or solid-state drive by using the diagnostic command	5
Installing a disk drive	5
Installing a disk drive or solid-state drive in the 5887 disk drive enclosure	8
Completing the procedure	8
Installing a disk drive or solid-state drive with the Linux system or logical partition power turned on	9
Installing a disk drive	9
Installing a disk drive or solid-state drive in the 5887 disk drive enclosure	11
Completing the procedure	11
Installing the disk drive using Linux	12
Installing the disk drive	12
Verifying that the new disk drive is operational	15
Completing the procedure	15
Installing a disk drive or solid-state drive with the Virtual I/O Server system or logical partition power turned on	16
Preparing the system	17
Installing the disk drive	17
Installing a disk drive or solid-state drive in the 5887 disk drive enclosure	19
Completing the procedure	19
Installing a disk drive or solid-state drive with the IBM i system or logical partition power turned on	20
Preparing the system	20
Preparing to install the disk drive	20
Installing the disk drive	21
Installing a disk drive or solid-state drive in the 5887 disk drive enclosure	23
Completing the procedure	24
Installing a disk drive or solid-state drive with the system or logical partition power turned off	25
Preparing the system	25
Installing the disk drive	25
Installing a disk drive or solid-state drive in the 5887 disk drive enclosure	27
Completing the procedure	28
Removing a disk drive or solid-state drive from the 8233-E8B or 8236-E8C	28
Removing a disk drive or solid-state drive with the AIX system or logical partition power turned on	29
Removing a disk drive or solid-state drive	29
Removing a disk drive with the Linux system or logical partition power turned on	31
Removing the disk drive by using Linux kernel 2.6	33
Preparing to remove the disk drive	33
Removing the disk drive	36
Removing a disk drive from a system or expansion unit controlled by IBM i	38
Preparing the system	40
Removing the disk drive	40
Completing the procedure	41
Preparing to remove a disk drive or solid-state drive from a system or logical partition controlled by IBM i	41
Replacing a disk drive in the 8233-E8B or 8236-E8C	42
Replacing a disk drive with the AIX system or logical partition power turned on	42
Preparing the system	43
Replacing a disk drive	43
Completing the procedure	45
Replacing a disk drive with the Linux system or logical partition power turned on	45
Replacing the disk drive using Linux	46

Replacing the disk drive	46
Completing the procedure	47
Replacing a disk drive with the IBM i system or logical partition power turned on	47
Preparing the system	48
Replacing the disk drive	48
Completing the procedure	49
Replacing a disk drive using the hot-spare function in an IBM i system or logical partition.	49
Preparing the system	50
Preparing to replace the disk drive	50
Replacing the disk drive	50
Completing the procedure using the HSM	52
Completing the procedure	53
Replacing a SCSI disk drive	54
Replacing the disk drive	54
Completing the procedure	55
Replacing a disk drive with the system or logical partition power turned off	55
Preparing the system	56
Replacing the disk drive	57
Completing the procedure	58
Installing the external SAS port in the 8233-E8B or 8236-E8C	59
Internal disk drive or solid-state drive sharing on the 8233-E8B or 8236-E8C.	67
Removing or installing a disk drive filler	68
Removing a disk drive filler	68
Installing a disk drive filler	70
Removing or installing a disk drive bezel	72
Removing a disk drive bezel from a disk drive or filler.	72
Installing a disk drive bezel in a disk drive or filler	73
Disk drives or solid-state drive locations and service indicators	74
PCIe RAID and SSD SAS adapter locations	74
Disk drive locations and service indicators for 8233-E8B and 8236-E8C	75
Disk-drive locations and service indicators for the 5887 disk drive enclosure	76
Disk drive locations and service indicators for the 5886 disk drive enclosure	78
Disk drive locations and service indicators for the 5786, 5787, 7031-D24, and 7031-T24 SCSI disk-drive enclosures	79
Disk-drive locations and service indicators for the 5802 expansion unit	81
Related tasks for disk drives or solid-state drives.	82
Preparing a disk drive or solid-state drive for use in an AIX system or logical partition	82
Preparing to remove a disk drive or solid-state drive from a system or an expansion unit controlled by AIX	82
Rebuilding data on a replacement disk drive or solid-state drive by using AIX	83
Preparing to remove a disk drive or solid-state drive in a Linux system	83
Preparing to remove the disk drive	83
Rebuilding data on a replacement disk drive or solid-state drive in a system or logical partition running Linux	86
Rebuilding data by using the iprconfig command	87
Preparing to remove a disk drive or solid-state drive from a system or logical partition controlled by IBM i	88
Determining the IBM i disk drive or solid-state drive protection status	89
Configuring a disk drive or solid-state drive in an IBM i system or logical partition	90
Rebuilding data on a replacement disk drive or solid-state drive by using IBM i	92
Configuring a disk drive on a load source adapter for hot spare using the IBM i operating system	93
Replacing a SAS conduit card in a 5802 expansion unit with the power turned off.	94
Removing a SAS conduit card from a 5802 expansion unit with the power turned off	101
Replacing a SAS expander card in a 5802 expansion unit with the power turned off.	110
Removing a SAS expander card from a 5802 expansion unit with power turned off	110
Common procedures for installable features	113
Before you begin	113
Identifying a part	115
Control panel LEDs	115
Identifying a failing part in an AIX system or logical partition	117
Locating a failing part in an AIX system or logical partition	117
Activating the indicator light for the failing part.	117
Deactivating the failing-part indicator light	117

Identifying a failing part in an IBM i system or logical partition	117
Activating the failing-part indicator light	118
Deactivating the failing-part indicator light	118
Identifying a failing part in a Linux system or logical partition	119
Locating a failing part in a Linux system or logical partition.	119
Finding the location code of a failing part in a Linux system or logical partition	119
Activating the indicator light for the failing part.	120
Deactivating the failing-part indicator light	120
Locating a failing part in a Virtual I/O Server system or logical partition	120
Identifying a part by using the Virtual I/O Server	120
Starting the system or logical partition	121
Starting a system that is not managed by an HMC or an SDMC	121
Starting a system or logical partition by using the HMC	122
Starting a system or virtual server by using the SDMC	122
Stopping a system or logical partition	123
Stopping a system that is not managed by an HMC or an SDMC	123
Stopping a system by using the HMC	124
Stopping a system by using the SDMC	125
Removing and replacing covers for the 8233-E8B or 8236-E8C system	125
Removing the front cover from an 8233-E8B or 8236-E8C system	125
Installing the front cover on an 8233-E8B or 8236-E8C system	126
Removing the service access cover from an 8233-E8B or 8236-E8C system	127
Installing the service access cover on an 8233-E8B or 8236-E8C system	128
Placing the rack-mounted 8233-E8B or 8236-E8C system into the service position or operating position	129
Placing the 8233-E8B or 8236-E8C in the service position	129
Placing the 8233-E8B or 8236-E8C in the operating position	132
Verifying the installed part	134
Verifying an installed feature or replaced part in an AIX system or logical partition	134
Verifying the installed part in an IBM i system or logical partition.	136
Deactivating the failing-part indicator light	137
Verifying the installed part in a Linux system or logical partition	137
Verifying an installed part by using stand-alone diagnostics	137
Verifying the installed part by using the HMC	139
Activating and deactivating LEDs by using the HMC	139
Deactivating a system attention LED or partition LED by using the HMC	139
Activating or deactivating an identify LED by using the HMC	140
Viewing serviceable events by using the HMC	140
Verifying the installed part by using the SDMC	141
Activating and deactivating LEDs by using the SDMC	141
Deactivating a system attention LED or partition LED by using the SDMC	141
Activating or deactivating an identify LED by using the SDMC	142
Viewing serviceable events by using the SDMC	142
Verifying an installed part or replaced part on a system or logical partition by using Virtual I/O Server tools	143
Verifying the installed part by using VIOS.	143
Verify the replacement part by using VIOS	143
Verifying a repair	145
Verifying the repair in AIX	146
Verifying a repair by using an IBM i system or logical partition	149
Verifying the repair in Linux	151
Verifying the repair from the management console	151
Closing a service call	153
Closing a service call by using AIX or Linux	157
Closing a service call by using Integrated Virtualization Manager	161
Activating and deactivating LEDs	165
Deactivating a system attention LED or partition LED by using the management console	166
Activating or deactivating an identify LED by using the management console.	167
Deactivating a system attention LED or logical partition LED by using the Advanced System Management Interface	167
Activating or deactivating an identify LED by using the Advanced System Management Interface	168

Notices	169
Trademarks	170
Electronic emission notices	170
Class A Notices.	170
Class B Notices.	174
Terms and conditions.	177

Safety notices

Safety notices may be printed throughout this guide:

- **DANGER** notices call attention to a situation that is potentially lethal or extremely hazardous to people.
- **CAUTION** notices call attention to a situation that is potentially hazardous to people because of some existing condition.
- **Attention** notices call attention to the possibility of damage to a program, device, system, or data.

World Trade safety information

Several countries require the safety information contained in product publications to be presented in their national languages. If this requirement applies to your country, safety information documentation is included in the publications package (such as in printed documentation, on DVD, or as part of the product) shipped with the product. The documentation contains the safety information in your national language with references to the U.S. English source. Before using a U.S. English publication to install, operate, or service this product, you must first become familiar with the related safety information documentation. You should also refer to the safety information documentation any time you do not clearly understand any safety information in the U.S. English publications.

Replacement or additional copies of safety information documentation can be obtained by calling the IBM Hotline at 1-800-300-8751.

German safety information

Das Produkt ist nicht für den Einsatz an Bildschirmarbeitsplätzen im Sinne § 2 der Bildschirmarbeitsverordnung geeignet.

Laser safety information

IBM® servers can use I/O cards or features that are fiber-optic based and that utilize lasers or LEDs.

Laser compliance

IBM servers may be installed inside or outside of an IT equipment rack.

DANGER

When working on or around the system, observe the following precautions:

Electrical voltage and current from power, telephone, and communication cables are hazardous. To avoid a shock hazard:

- Connect power to this unit only with the IBM provided power cord. Do not use the IBM provided power cord for any other product.
- Do not open or service any power supply assembly.
- Do not connect or disconnect any cables or perform installation, maintenance, or reconfiguration of this product during an electrical storm.
- The product might be equipped with multiple power cords. To remove all hazardous voltages, disconnect all power cords.
- Connect all power cords to a properly wired and grounded electrical outlet. Ensure that the outlet supplies proper voltage and phase rotation according to the system rating plate.
- Connect any equipment that will be attached to this product to properly wired outlets.
- When possible, use one hand only to connect or disconnect signal cables.
- Never turn on any equipment when there is evidence of fire, water, or structural damage.
- Disconnect the attached power cords, telecommunications systems, networks, and modems before you open the device covers, unless instructed otherwise in the installation and configuration procedures.
- Connect and disconnect cables as described in the following procedures when installing, moving, or opening covers on this product or attached devices.

To Disconnect:

1. Turn off everything (unless instructed otherwise).
2. Remove the power cords from the outlets.
3. Remove the signal cables from the connectors.
4. Remove all cables from the devices.

To Connect:

1. Turn off everything (unless instructed otherwise).
2. Attach all cables to the devices.
3. Attach the signal cables to the connectors.
4. Attach the power cords to the outlets.
5. Turn on the devices.

(D005)

DANGER

Observe the following precautions when working on or around your IT rack system:

- Heavy equipment—personal injury or equipment damage might result if mishandled.
- Always lower the leveling pads on the rack cabinet.
- Always install stabilizer brackets on the rack cabinet.
- To avoid hazardous conditions due to uneven mechanical loading, always install the heaviest devices in the bottom of the rack cabinet. Always install servers and optional devices starting from the bottom of the rack cabinet.
- Rack-mounted devices are not to be used as shelves or work spaces. Do not place objects on top of rack-mounted devices.



- Each rack cabinet might have more than one power cord. Be sure to disconnect all power cords in the rack cabinet when directed to disconnect power during servicing.
- Connect all devices installed in a rack cabinet to power devices installed in the same rack cabinet. Do not plug a power cord from a device installed in one rack cabinet into a power device installed in a different rack cabinet.
- An electrical outlet that is not correctly wired could place hazardous voltage on the metal parts of the system or the devices that attach to the system. It is the responsibility of the customer to ensure that the outlet is correctly wired and grounded to prevent an electrical shock.

CAUTION

- Do not install a unit in a rack where the internal rack ambient temperatures will exceed the manufacturer's recommended ambient temperature for all your rack-mounted devices.
- Do not install a unit in a rack where the air flow is compromised. Ensure that air flow is not blocked or reduced on any side, front, or back of a unit used for air flow through the unit.
- Consideration should be given to the connection of the equipment to the supply circuit so that overloading of the circuits does not compromise the supply wiring or overcurrent protection. To provide the correct power connection to a rack, refer to the rating labels located on the equipment in the rack to determine the total power requirement of the supply circuit.
- *(For sliding drawers.)* Do not pull out or install any drawer or feature if the rack stabilizer brackets are not attached to the rack. Do not pull out more than one drawer at a time. The rack might become unstable if you pull out more than one drawer at a time.
- *(For fixed drawers.)* This drawer is a fixed drawer and must not be moved for servicing unless specified by the manufacturer. Attempting to move the drawer partially or completely out of the rack might cause the rack to become unstable or cause the drawer to fall out of the rack.

(R001)

CAUTION:

Removing components from the upper positions in the rack cabinet improves rack stability during relocation. Follow these general guidelines whenever you relocate a populated rack cabinet within a room or building:

- Reduce the weight of the rack cabinet by removing equipment starting at the top of the rack cabinet. When possible, restore the rack cabinet to the configuration of the rack cabinet as you received it. If this configuration is not known, you must observe the following precautions:
 - Remove all devices in the 32U position and above.
 - Ensure that the heaviest devices are installed in the bottom of the rack cabinet.
 - Ensure that there are no empty U-levels between devices installed in the rack cabinet below the 32U level.
- If the rack cabinet you are relocating is part of a suite of rack cabinets, detach the rack cabinet from the suite.
- Inspect the route that you plan to take to eliminate potential hazards.
- Verify that the route that you choose can support the weight of the loaded rack cabinet. Refer to the documentation that comes with your rack cabinet for the weight of a loaded rack cabinet.
- Verify that all door openings are at least 760 x 230 mm (30 x 80 in.).
- Ensure that all devices, shelves, drawers, doors, and cables are secure.
- Ensure that the four leveling pads are raised to their highest position.
- Ensure that there is no stabilizer bracket installed on the rack cabinet during movement.
- Do not use a ramp inclined at more than 10 degrees.
- When the rack cabinet is in the new location, complete the following steps:
 - Lower the four leveling pads.
 - Install stabilizer brackets on the rack cabinet.
 - If you removed any devices from the rack cabinet, repopulate the rack cabinet from the lowest position to the highest position.
- If a long-distance relocation is required, restore the rack cabinet to the configuration of the rack cabinet as you received it. Pack the rack cabinet in the original packaging material, or equivalent. Also lower the leveling pads to raise the casters off of the pallet and bolt the rack cabinet to the pallet.

(R002)

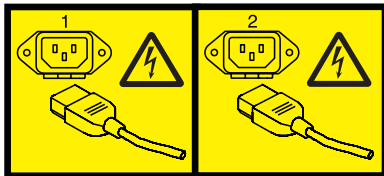
(L001)



(L002)



(L003)



or



All lasers are certified in the U.S. to conform to the requirements of DHHS 21 CFR Subchapter J for class 1 laser products. Outside the U.S., they are certified to be in compliance with IEC 60825 as a class 1 laser product. Consult the label on each part for laser certification numbers and approval information.

CAUTION:

This product might contain one or more of the following devices: CD-ROM drive, DVD-ROM drive, DVD-RAM drive, or laser module, which are Class 1 laser products. Note the following information:

- Do not remove the covers. Removing the covers of the laser product could result in exposure to hazardous laser radiation. There are no serviceable parts inside the device.
- Use of the controls or adjustments or performance of procedures other than those specified herein might result in hazardous radiation exposure.

(C026)

CAUTION:

Data processing environments can contain equipment transmitting on system links with laser modules that operate at greater than Class 1 power levels. For this reason, never look into the end of an optical fiber cable or open receptacle. (C027)

CAUTION:

This product contains a Class 1M laser. Do not view directly with optical instruments. (C028)

CAUTION:

Some laser products contain an embedded Class 3A or Class 3B laser diode. Note the following information: laser radiation when open. Do not stare into the beam, do not view directly with optical instruments, and avoid direct exposure to the beam. (C030)

CAUTION:

The battery contains lithium. To avoid possible explosion, do not burn or charge the battery.

Do Not:

- ___ Throw or immerse into water
- ___ Heat to more than 100°C (212°F)
- ___ Repair or disassemble

Exchange only with the IBM-approved part. Recycle or discard the battery as instructed by local regulations. In the United States, IBM has a process for the collection of this battery. For information, call 1-800-426-4333. Have the IBM part number for the battery unit available when you call. (C003)

Power and cabling information for NEBS (Network Equipment-Building System) GR-1089-CORE

The following comments apply to the IBM servers that have been designated as conforming to NEBS (Network Equipment-Building System) GR-1089-CORE:

The equipment is suitable for installation in the following:

- Network telecommunications facilities
- Locations where the NEC (National Electrical Code) applies

The intrabuilding ports of this equipment are suitable for connection to intrabuilding or unexposed wiring or cabling only. The intrabuilding ports of this equipment *must not* be metallically connected to the interfaces that connect to the OSP (outside plant) or its wiring. These interfaces are designed for use as intrabuilding interfaces only (Type 2 or Type 4 ports as described in GR-1089-CORE) and require isolation from the exposed OSP cabling. The addition of primary protectors is not sufficient protection to connect these interfaces metallically to OSP wiring.

Note: All Ethernet cables must be shielded and grounded at both ends.

The ac-powered system does not require the use of an external surge protection device (SPD).

The dc-powered system employs an isolated DC return (DC-I) design. The DC battery return terminal *shall not* be connected to the chassis or frame ground.

Disk drives or solid-state drives for the 8233-E8B or 8236-E8C

Learn how to install, remove, and replace disk drives or solid-state drives (SSDs) for the IBM Power[®] 750 Express (8233-E8B) and the IBM Power 755 (8236-E8C) systems and for the supported drive enclosures or expansion units.

Installing a disk drive or solid-state drive in the 8233-E8B or 8236-E8C

Learn how to install a Small Computer System Interface (SCSI) disk drive, serial-attached SCSI (SAS) disk drive, or solid-state drive (SSD) in the server or expansion unit.

Solid-state drive configuration rules for the 8233-E8B or 8236-E8C

Before you install and configure solid-state drives (SSDs), you must review the supported machine type model, the supported expansion unit or enclosure, adapter, and configuration details.

SSD drive rules for a system, enclosure, or expansion unit

Solid-state drives, also known as flash drives, follow similar rules as a regular hard disk drive (HDD). For example, SSDs physically resemble, install in the same manner, and in most of the same slots as HDDs. However, some restrictions and configuration rules are specific to the SSD. The following tables help you determine the operating system, adapter, machine type model, and disk drive configuration rules that apply to your system or expansion unit.

After you review the configuration rules, you can install the drive as you would any other disk drive. For more information about installing disk drives or solid-state drives, see the topic collection for your system or expansion unit.

Restriction: Solid-state drives must be part of a RAID array or system mirroring in the system or logical partition that is controlled by IBM i.

See the Table 1 on page 2 for the system or partition or the enclosure or expansion unit where you want to install drives.

Attention: Before you install SSD in your system, ensure that both the SSD and the adapters have all the prerequisite updates. To check for the prerequisites, go to the IBM Prerequisite website (www-912.ibm.com/e_dir/eServerPrereq.nsf).

Table 1. Solid-state drive rules for the IBM AIX, IBM i, or Linux operating system for a system, enclosure or expansion unit

System, enclosure or expansion unit	Adapter	Mixing rules
8233-E8B or 8236-E8C	<ul style="list-style-type: none"> • FC 5679 (SAS RAID Enablement, internal adapter) • FC 5904 (PCI-X DDR 1.5 GB Cache SAS RAID Adapter) • FC 5903 (PCIe 380 MB Cache Dual x4 3 Gb SAS RAID Adapter) 	<ul style="list-style-type: none"> • SSD and HDD cannot be mixed in the same RAID array or mirroring group. • SSD and HDD can be mixed in the system disk drive backplane if the backplane is not split. • SSD and HDD can both be present in a split backplane if each side of the split backplane has only SSD or HDD. Restriction: Split backplane for these models is not supported by dual SAS Raid adapters. <p>Important: SSD must be on one side of the split backplane and HDD must be on the other side of the split backplane. SSD and HDD drive types cannot be mixed within a parity set. If you are mixing SSD and HDD in a system, ensure that you have enough of each drive type to manage your protection scheme.</p>
5802 and 5877	FC 5903 (PCIe 380 MB Cache Dual x4 3 Gb SAS RAID Adapter)	<ul style="list-style-type: none"> • SSD and HDD cannot be mixed on a pair of 5903 adapters. • A maximum of 9 SSDs are supported on a pair of 5903 adapters.
5886	<ul style="list-style-type: none"> • FC 5904 (PCI-X DDR 1.5 GB Cache SAS RAID Adapter) • FC 5906 and FC 5908 (PCI-X DDR 1.5 GB Cache SAS RAID Adapter) • FC 5903 (PCIe 380 MB Cache Dual - x4 3 Gb SAS RAID Adapter) 	<ul style="list-style-type: none"> • SSDs and HDDs can be mixed in this drive enclosure. • A maximum of 24 drives are supported in this enclosure. • SSDs and HDDs can be attached to the SAS Controller PCI or PCI-X adapters. Also, can be attached to the embedded SAS controller in a system with an embedded SAS port.

Table 1. Solid-state drive rules for the IBM AIX, IBM i, or Linux operating system for a system, enclosure or expansion unit (continued)

System, enclosure or expansion unit	Adapter	Mixing rules
5887 disk drive enclosure	<ul style="list-style-type: none"> FC 5805 (PCIe 380 MB Cache Dual - x4 3 Gb SAS RAID Adapter) FC 5901 (PCIe Dual x4 SAS Adapter) FC 5908 (PCI-X DDR 1.5 GB Cache SAS RAID Adapter) FC ESA1 (PCIe2 RAID SAS Adapter Dual-port 6 Gb) FC ESA1 (PCIe2 LP RAID SAS Adapter Dual-port 6 Gb) PCIe2 (3.1 GB Cache RAID SAS Enclosure 6 Gb x8) 	<ul style="list-style-type: none"> A maximum of 24 drives are supported in this enclosure. The EXP24S can be configured as one set of 24 bays (mode 1), two sets of 12 bays (mode 2), or four sets of 6 bays (mode 4). The EXP24S serial-attached SCSI (SAS) ports are attached to SAS controllers, which can be a SAS Peripheral Component Interconnect-X (PCI-X) adapter, PCI Express (PCIe) adapter, or a pair of adapters. The EXP24S can also be attached to an embedded SAS controller in a system with an embedded SAS port. The mixing of the SSDs and HDDs is as follows: <ul style="list-style-type: none"> SSDs and HDDs cannot be mixed in a logical group when configured as in mode 1. SSDs and HDDs can be mixed when configured as in mode 2: one set can be SSDs and the other set can be HDDs. SSDs and HDDs cannot be mixed when configured as in mode 4 because the SSDs are not supported by the adapter that is required to configure the 5887 for mode 4.

Installing a disk drive or solid-state drive with the AIX system or logical partition power turned on

Learn how to install a disk drive or solid-state drive in a system or expansion unit while the power of the AIX® operating system or logical partition that controls the disk drive location is turned on.

If you are servicing a failing part, see the service procedures for “Replacing a disk drive with the AIX system or logical partition power turned on” on page 42. This procedure is intended for installing a new or upgraded disk drive.

Before installing or replacing a feature, ensure that the software required to support the feature is installed on your system. For information about software prerequisites, see IBM prerequisite. If the required software is not installed, go to Fix Central to download it, and install it before continuing.

If you are installing solid-state drives, review the configuration rules and then return here. For more information, see “Solid-state drive configuration rules for the 8233-E8B or 8236-E8C” on page 1.

DANGER

When working on or around the system, observe the following precautions:

Electrical voltage and current from power, telephone, and communication cables are hazardous. To avoid a shock hazard:

- Connect power to this unit only with the IBM provided power cord. Do not use the IBM provided power cord for any other product.
- Do not open or service any power supply assembly.
- Do not connect or disconnect any cables or perform installation, maintenance, or reconfiguration of this product during an electrical storm.
- The product might be equipped with multiple power cords. To remove all hazardous voltages, disconnect all power cords.
- Connect all power cords to a properly wired and grounded electrical outlet. Ensure that the outlet supplies proper voltage and phase rotation according to the system rating plate.
- Connect any equipment that will be attached to this product to properly wired outlets.
- When possible, use one hand only to connect or disconnect signal cables.
- Never turn on any equipment when there is evidence of fire, water, or structural damage.
- Disconnect the attached power cords, telecommunications systems, networks, and modems before you open the device covers, unless instructed otherwise in the installation and configuration procedures.
- Connect and disconnect cables as described in the following procedures when installing, moving, or opening covers on this product or attached devices.

To Disconnect:

1. Turn off everything (unless instructed otherwise).
2. Remove the power cords from the outlets.
3. Remove the signal cables from the connectors.
4. Remove all cables from the devices.

To Connect:

1. Turn off everything (unless instructed otherwise).
2. Attach all cables to the devices.
3. Attach the signal cables to the connectors.
4. Attach the power cords to the outlets.
5. Turn on the devices.

(D005)

Attention: This procedure is a complex set of steps that must be performed exactly to avoid potential data loss or system damage. Alternatively, you can use the powered-off procedure, which is a simpler task that involves less risk of data loss or system damage. For instructions, see "Installing a disk drive or solid-state drive with the system or logical partition power turned off" on page 25.

Attention:

- Attach a wrist strap to an unpainted metal surface of your hardware to prevent electrostatic discharge (ESD) from damaging your hardware.
- When using a wrist strap, follow all electrical safety procedures. A wrist strap is for static control. It does not increase or decrease your risk of receiving electric shock when using or working on electrical equipment.
- If you do not have a wrist strap, just prior to removing the product from ESD packaging and installing or replacing hardware, touch an unpainted metal surface of the system for a minimum of 5 seconds.

Note: Some of the figures in these procedures might not look exactly like the system or expansion unit that you have. However, the steps to perform the task are the same.

Preparing the system

1. Complete the prerequisite tasks. For instructions, see “Before you begin” on page 113.
2. If applicable, remove the system unit door, remove the expansion unit door, or open the rack.
3. Determine the next available disk drive or solid-state drive position in your system or expansion unit. For information, see “Disk drive locations and service indicators for 8233-E8B and 8236-E8C” on page 75.

Note: When you have a system with an expansion unit, fill the slot positions in the system unit first. However, you can choose a different disk drive placement depending on your data protection strategy.

4. Record the position where the new disk drive or solid-state drive must be installed. For example, the next available disk drive or solid-state drive slot might be P3-D4.
5. Perform the following steps to install a disk drive or solid-state drive into the system. See “Installing a disk drive or solid-state drive in the 5887 disk drive enclosure” on page 8 for the steps to install a disk drive or solid-state drive in the 5887 expansion unit.
6. Do not press Enter yet.
Proceed to install a disk drive or solid-state drive in the system or expansion unit.

Preparing to install a disk drive or solid-state drive by using the diagnostic command:

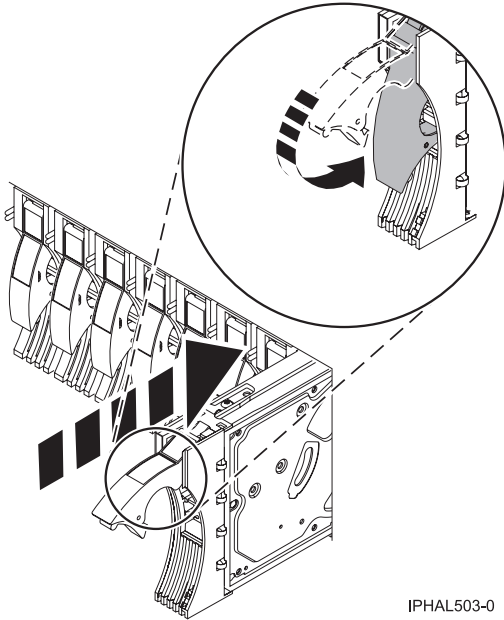
Complete the following steps before installing a disk drive or solid-state drive in a system or in an expansion unit:

1. Log in as root user.
2. At the command line, type `diag` and press Enter.
3. On the Diagnostic Operating Instructions display, press Enter to continue.
4. On the Function Selection display, select **Task Selection**.
5. Select **RAID Array Manager**.
6. Depending on the adapter that your drive is attached to, select **IBM SAS Disk Array Manager**, **PCI SCSI Disk Array Manager**, or **PCI-X SCSI Disk Array Manager**.
7. Select **Diagnostics and Recovery Options**.
8. Select **SCSI and SCSI RAID Hot Plug Manager**.
9. Select **Attach a Device to a SCSI Hot Swap Enclosure Device**. A list of empty slots in the SCSI hot swap enclosure device is shown.

Installing a disk drive:

1. Select the slot where you want to install the disk drive or solid-state drive and press Enter. The disk drive or solid-state drive slot enters the Identify state. The service indicator for the slot begins flashing. To view the locations of the service indicators for your system, see “Disk drive locations and service indicators for 8233-E8B and 8236-E8C” on page 75.
2. If the slot you want to use contains a disk drive filler, remove the disk drive filler, then return here. For instructions, see “Removing a disk drive filler” on page 68.
3. If the disk drive filler has a bezel attached, remove the disk drive bezel. For instructions, see “Removing a disk drive bezel from a disk drive or filler” on page 72. You can use the removed bezel to attach it to the new disk drive.
4. Find the package that contains the new disk drive or solid-state drive.
Attention: Disk drives are fragile. Handle with care.
5. Remove the disk drive or solid-state drive from the static-protective package.
6. Unlock the disk drive or solid-state drive handle by squeezing it and pulling it out toward you. If the handle is not all the way out, the disk drive or solid-state drive will not slide into the system or expansion unit.

7. If the disk drive you are installing does not have a bezel preinstalled, then install the bezel you removed from either the disk drive filler or the failed disk drive. For instructions, see “Installing a disk drive bezel in a disk drive or filler” on page 73. Then, return here and continue with this procedure.
8. Support the bottom of the disk drive or solid-state drive as you align it with the guide rails in the system unit. Do not hold the disk drive or solid-state drive by the handle.
9. Slide the disk drive or solid-state drive into the system unit until it stops, as shown in Figure 1.



IPHAL503-0

Figure 1. Installing a disk drive in a system

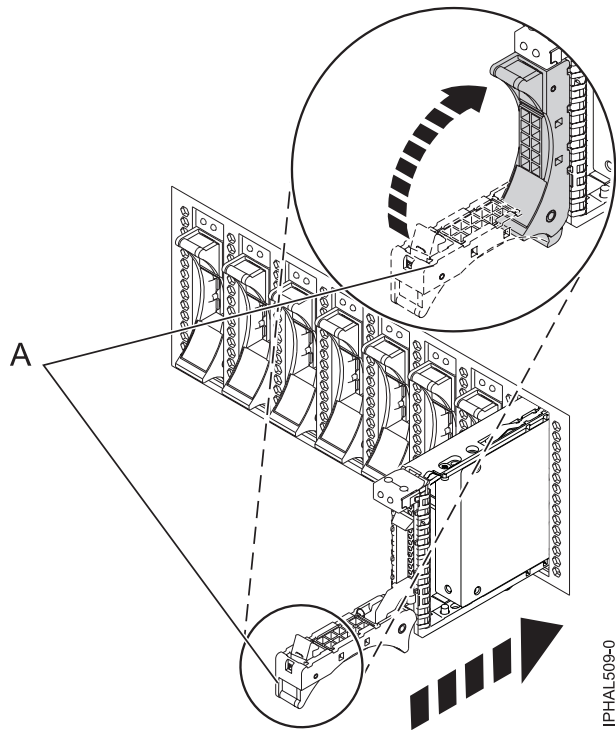


Figure 2. Installing a small-form factor disk drive

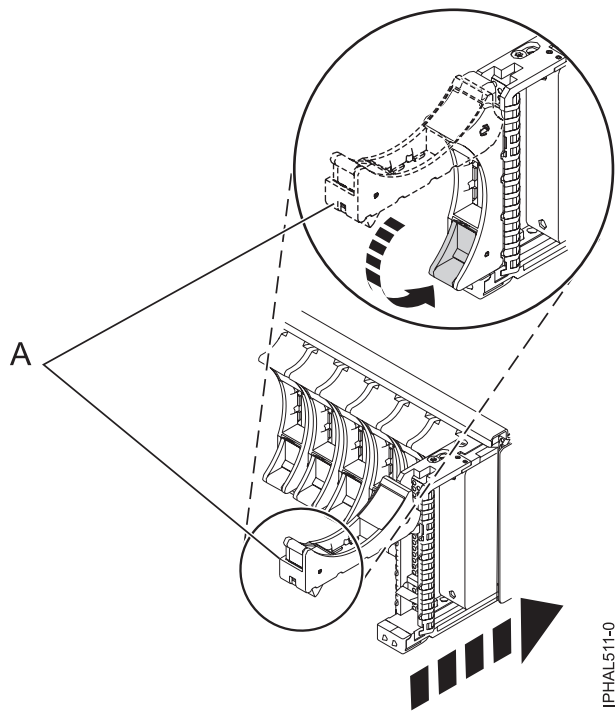


Figure 3. Installing a small-form factor disk drive in the 5803 expansion unit

10. Press Enter.
11. If you are installing more than one disk drive or solid-state drive, repeat all the task in this procedure until all disk drives or solid-state drives are installed.

12. Cancel to get to the SCSI and SCSI RAID Hot Plug Manager menu.
13. Select **Configure Added/Replaced Devices**.
14. Exit to the command line.

Installing a disk drive or solid-state drive in the 5887 disk drive enclosure

Complete the following steps to install a disk drive or solid-state drive in the 5887 disk drive enclosure:

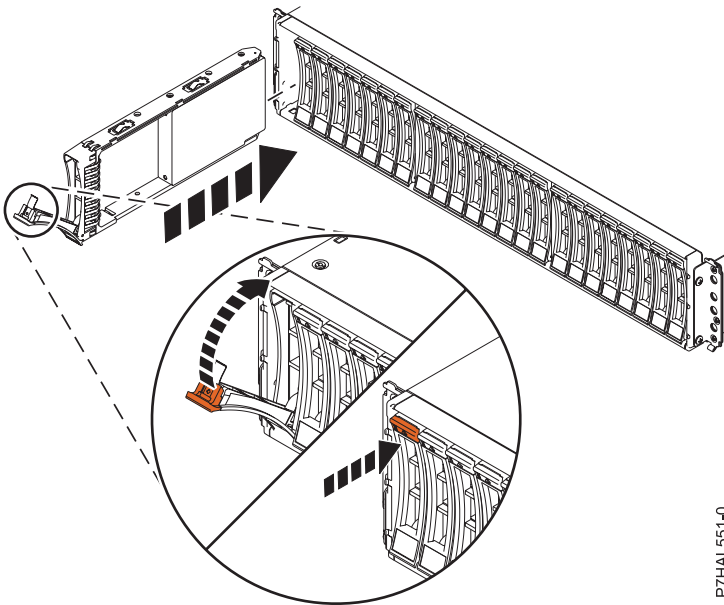
1. With the handle in the unlocked position, as shown in Figure 4, support the bottom of the drive as you align it with the guide rails in the expansion unit.

Note: Do not hold the drive only by the handle. Support the drive by holding the drive by its sides.

2. Slide the drive halfway into the 5887 disk drive enclosure.
3. Select the drive that you want to install and press Enter on the console.
4. When the identify LED turns on solid, slide the drive into the 5887 disk drive enclosure until the drive stops.

Important: When installing a drive, ensure that the drive is fully seated and is all the way into the enclosure.

5. Rotate the handle to the locked position.



P7HAL551-0

Figure 4. Installing the disk drive in the 5887 disk drive enclosure

6. On the console, press Enter to indicate that you have installed the drive.

Completing the procedure

1. Replace the front cover.
2. Install or close the system, expansion unit, or rack door.
3. Verify the installed part:
 - If you replaced the part because of a failure, verify the installed part. For instructions, see “Verifying a repair” on page 145.
 - If you installed the part for any other reason, verify the installed part. For instructions, see “Verifying the installed part” on page 134.
4. To configure the newly installed disk drive or solid-state drive, see “Preparing a disk drive or solid-state drive for use in an AIX system or logical partition” on page 82.

Installing a disk drive or solid-state drive with the Linux system or logical partition power turned on

Learn how to install a disk drive or solid-state drive in a system or expansion unit while the power to the Linux operating system or logical partition that controls the disk drive location is turned on.

If you are servicing a failing part, see the service procedures for “Replacing a disk drive with the Linux system or logical partition power turned on” on page 45. This procedure is intended for installing a new or upgraded disk drive.

Before installing or replacing a feature, ensure that the software required to support the feature is installed on your system. For information about software prerequisites, see IBM Prerequisite. If the required software is not installed, see the following websites to download it, and then install it before continuing:

- To download firmware and software updates and fixes, see Fix Central.

If you are installing solid-state drives, review the configuration rules and then return here. For more information, see “Solid-state drive configuration rules for the 8233-E8B or 8236-E8C” on page 1.

Note: Some of the figures in these procedures might not look exactly like the system or expansion unit that you have. However, the steps to perform the task are the same. See

Preparing the system

1. Complete the prerequisite tasks. For instructions, see “Before you begin” on page 113.
2. If applicable, remove the system unit door, expansion unit door, or the rack door.
3. If applicable, remove the front cover.
4. Look at the front of the system or expansion unit and determine the next available disk drive position. For information, see “Disk drives or solid-state drive locations and service indicators” on page 74.

Note: When you have a system with an expansion unit, fill the slot positions in the system unit first. However, you can choose a different disk drive placement depending on your data protection strategy.

5. Record the position where the new disk drive are to be installed. For example, the next available disk drive position might be P3-D4. See “Installing a disk drive or solid-state drive in the 5887 disk drive enclosure” on page 11 for the steps to install a disk drive in the 5887 expansion unit.

Installing a disk drive

1. Find the package that contains the new disk drive.
Attention: Disk drives are fragile. Handle with care.
2. Remove the disk drive from its protective package.
3. Unlock the handle of the replacement disk drive by squeezing and pulling it out toward you. If the handle is not all the way out, the disk drive cannot slide into the system.
4. If your new disk drive does not have a bezel preinstalled, then perform the steps in “Installing a disk drive bezel in a disk drive or filler” on page 73. Then, return here and continue with this procedure.
5. Install the disk drive as shown in Figure 5 on page 10.
 - a. Support the bottom of the disk drive as you align it with the guide rails in the system unit. Do not hold the disk drive by the handle.
 - b. Slide the disk drive into the system until it stops.

Important: Ensure that when installing a disk drive, that the drive is fully seated and all the way into the system.

- c. Push the disk drive handle in until it locks.

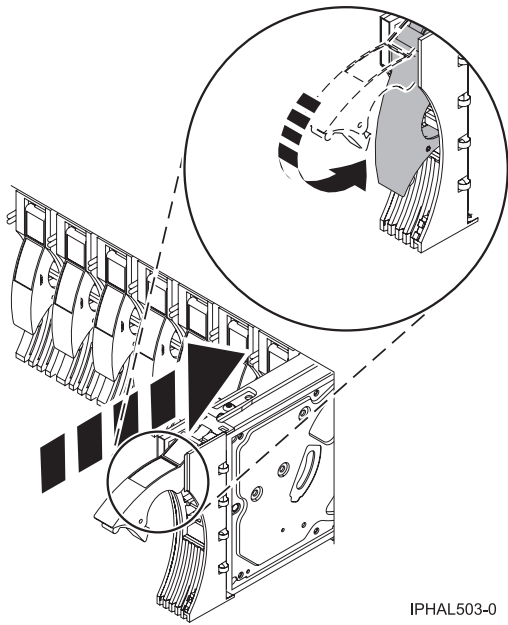


Figure 5. Installing a disk drive in a model

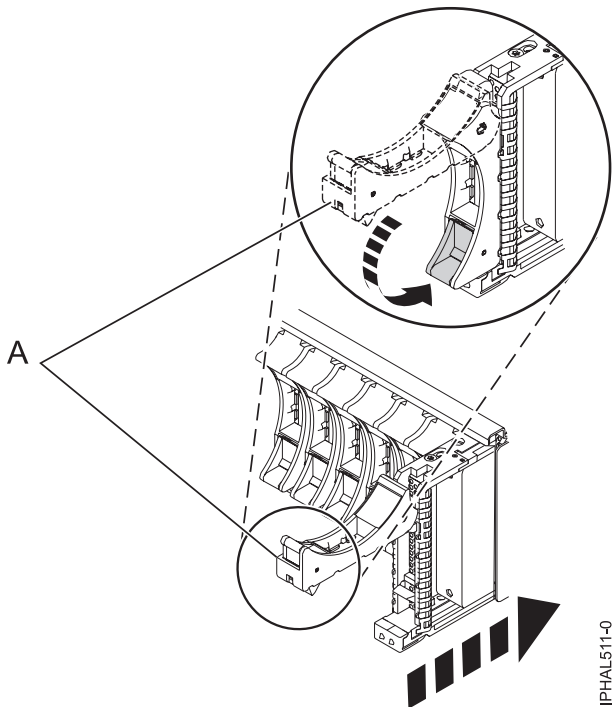


Figure 6. Installing a small-form factor disk drive in the 5803 expansion unit

6. Press Enter. The disk drive slot exits the Remove state and enters the Normal state.
7. Exit to the RAID Hot-Plug Devices menu. Press F3 to return.
8. Exit to the Task selection display.
9. Select **Log Repair Action**.

10. Select the disk drive that you replaced and then press Enter.
11. Select **Commit** after you have made your selection and then press Enter.
12. Exit to the command line.

Installing a disk drive or solid-state drive in the 5887 disk drive enclosure

Complete the following steps to install a disk drive or solid-state drive in the 5887 disk drive enclosure:

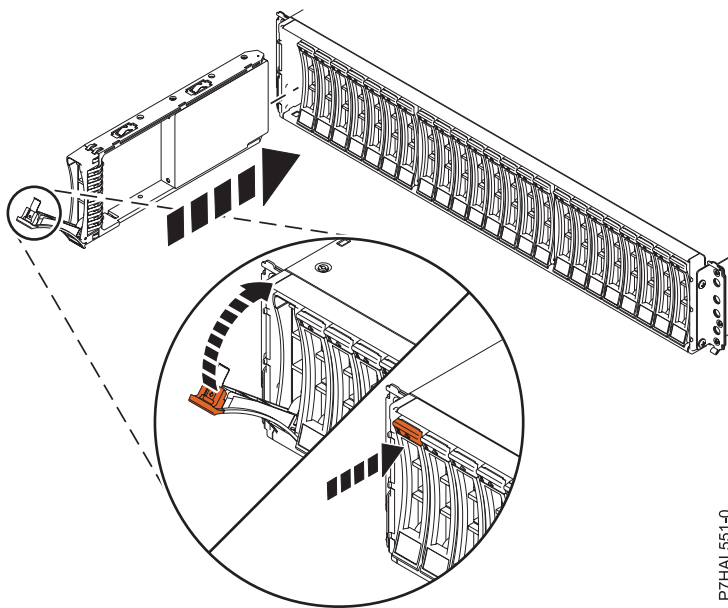
1. With the handle in the unlocked position, see Figure 7, support the bottom of the drive as you align it with the guide rails in the expansion unit.

Note: Do not hold the drive only by the handle. Support the drive by holding the drive by its sides.

2. Slide the drive halfway into the 5887 disk drive enclosure.
3. On the Verify Device Concurrent Add display, verify that the selected drive is the drive you want to replace, then press Enter.
4. When the identify LED flashes, slide the drive into the 5887 disk drive enclosure until the drive stops.

Important: When installing a drive, ensure that the drive is fully seated and is all the way into the enclosure.

5. Rotate the handle to the locked position.



P7HAL551-0

Figure 7. Installing the disk drive in the 5887 disk drive enclosure

6. On the console, press Enter to indicate that you have installed the drive.

Completing the procedure

1. Replace the front cover.
2. Install or close the front door of the system, expansion unit, or rack.
3. Verify the installed part:
 - If you replaced the part because of a failure, verify the installed part. For instructions, see “Verifying a repair” on page 145.
 - If you installed the part for any other reason, verify the installed part. For instructions, see “Verifying the installed part” on page 134.

4. To rebuild data on the newly installed or replaced disk drive or solid-state drive, see “Rebuilding data on a replacement disk drive or solid-state drive in a system or logical partition running Linux” on page 86.

Installing the disk drive using Linux

Learn how to install a disk drive in a location that is controlled by the Linux operating system.

Installing the disk drive:

1. Log in as root user.
2. Type `lsslot` on the command line of the Linux session and press Enter.
A display like the following figure, is shown.

```
x0537p1:~ # lsslot
# Slot          Description      Linux Name      Device(s)
U787A.001.DNZ00XV-P1-C1 Logical I/O Slot 0000:00:02.0 ethernet
U787A.001.DNZ00XV-P1-C2 Logical I/O Slot 0000:00:02.2 pci
U787A.001.DNZ00XV-P1-C3 Logical I/O Slot 0001:00:02.2 pci1069,b166
U787A.001.DNZ00XV-P1-C4 Logical I/O Slot 0000:00:02.6 pci1069,b166
U787A.001.DNZ00XV-P1-C5 Logical I/O Slot 0001:00:02.6 pci1014,0180
U787A.001.DNZ00XV-P1-T5 Logical I/O Slot 0000:00:02.4 ethernet
U787A.001.DNZ00XV-P1-T7 Logical I/O Slot 0000:00:02.3 usb
U787A.001.DNZ00XV-P1-T10 Logical I/O Slot 0001:00:02.4 scsi
U787A.001.DNZ00XV-P1-T12 Logical I/O Slot 0001:00:02.3 ide
U9111.520.10D3C6C-V1-C0 Virtual I/O Slot 30000000      vty
```

Figure 8. Find the Linux Name for the location for which you want to install the disk drive.

3. Note the Linux Name for the slot that contains the adapter under which you want to install the disk drive.
4. Type `iprconfig` on the command line of the Linux session and press Enter. The IBM Power RAID Configuration Utility display is shown.
5. Select **Work with disk unit recovery** from the IBM Power RAID Configuration Utility display. Press Enter.
6. Select **Concurrent add device** from the Work with Disk Unit Recovery display. Press Enter.
A Concurrent Device Add display, like the following figure, is shown.

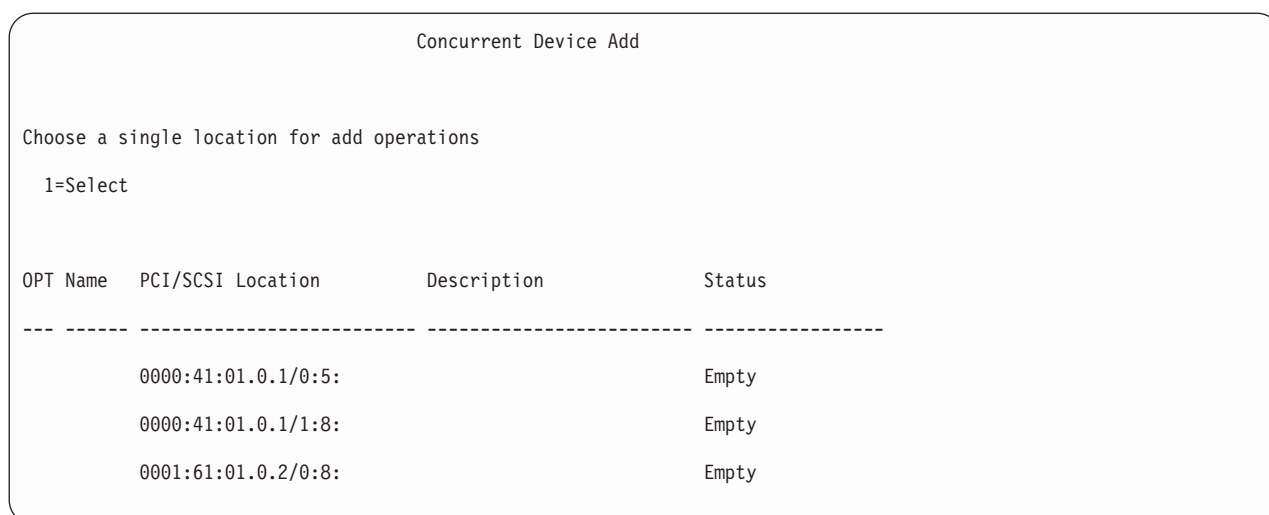


Figure 9. Example Concurrent Device Remove display

7. Type option 1 next to the location into which you want to install the disk drive and press Enter. The Verify Device Concurrent Add display is shown. A service indicator indicates the slot where the disk drive can be installed.
8. Press Enter on the Verify Device Concurrent Add display to verify the location.
9. If the slot you want to use contains a disk drive filler, remove it. For instructions, see “Removing a disk drive filler” on page 68. Then, return here and continue with this procedure.

Attention:

- Attach a wrist strap to an unpainted metal surface of your hardware to prevent electrostatic discharge (ESD) from damaging your hardware.
- When using a wrist strap, follow all electrical safety procedures. A wrist strap is for static control. It does not increase or decrease your risk of receiving electric shock when using or working on electrical equipment.
- If you do not have a wrist strap, just prior to removing the product from ESD packaging and installing or replacing hardware, touch an unpainted metal surface of the system for a minimum of 5 seconds.

10. Find the package that contains the new disk drive.

Attention: Disk drives are fragile. Handle with care.
11. Remove the disk drive from the static-protective package. Record the serial number (use the last four digits) of the disk drive.
12. Unlock the disk drive handle by squeezing and pulling it out toward you. If the handle is not all the way out, the disk drive cannot slide into the system or expansion unit.
13. If your disk drive does not have a bezel preinstalled, install the disk drive bezel on the new disk drive. For instructions, see “Installing a disk drive bezel in a disk drive or filler” on page 73. Then, return here and continue with this procedure.
14. Support the bottom of the disk drive as you align it with the guide rails in the system or expansion unit. Do not hold the disk drive by the handle.
15. The Complete Device Concurrent Add display is shown.
16. Slide the disk drive into the system.

Slide the disk drive all the way in into the system or expansion unit and then lock it in place by pushing in the disk drive handle, as shown in Figure 10 on page 14.

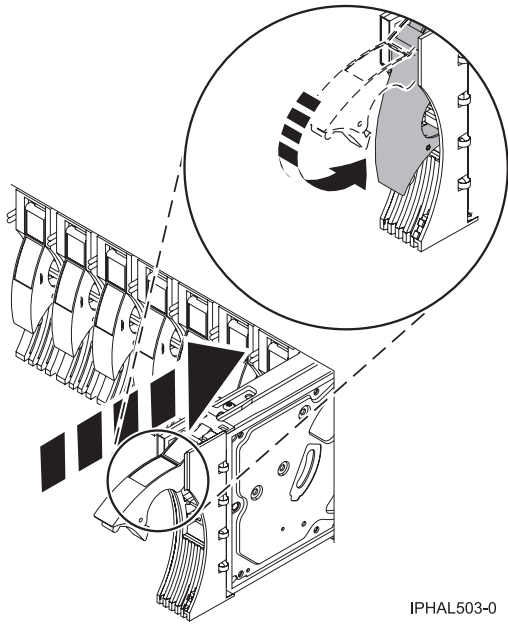


Figure 10. Installing a disk drive in a system

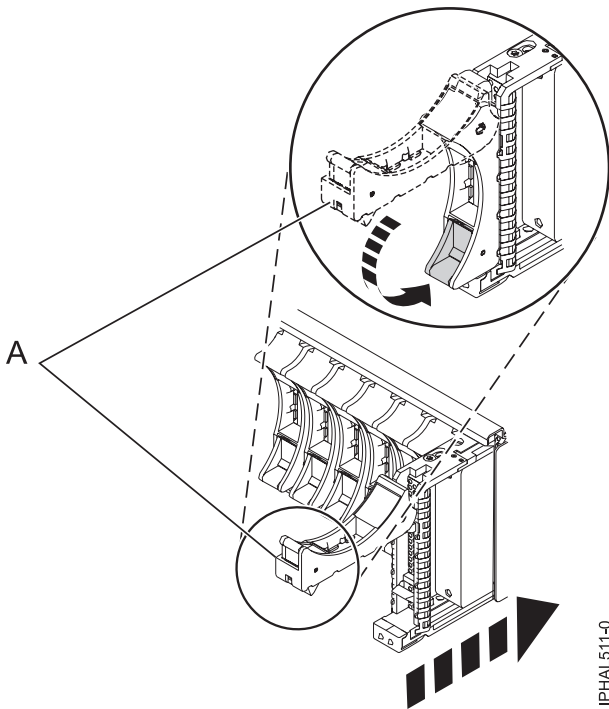


Figure 11. Installing a small-form factor disk drive in the 5803 expansion unit

17. Press Enter. The service indicator stops flashing and remains on when you have installed the disk drive properly.
To view the locations of the service indicators, see "Disk drives or solid-state drive locations and service indicators" on page 74.
18. If you are installing more than one disk drive, repeat all steps in this procedure until all disk drives are installed.

Verifying that the new disk drive is operational:

To verify that the new disk drive is operational, follow these steps:

1. Log in as root user.
2. Type `iprconfig` on the command line of the Linux session and press Enter. The IBM Power RAID Configuration Utility display is shown.
3. Select **Display hardware status**.

The Display Hardware Status display is shown, like the following figure.

```
Display Hardware Status

Type option, press Enter.

1=Display hardware resource information details

OPT Name  PCI/SCSI Location      Description              Status
-----
          0000:01:01.0.0/    PCI-X SCSI Adapter      Operational
          0000:41:01.0.1/    PCI-X SCSI Adapter      Operational
sda       0000:41:01.0.1/0:3:0    Physical Disk            Active
sdb       0000:41:01.0.1/0:4:0    Physical Disk            Active
sdc       0000:41:01.0.1/0:8:0    Physical Disk            Active
sdd       0000:41:01.0.1/1:3:0    Physical Disk            Active
sde       0000:41:01.0.1/1:4:0    Physical Disk            Active
sdf       0000:41:01.0.1/1:5:0    Physical Disk            Active
          0001:61:01.0.2/    PCI-X SCSI RAID Adapter  Operational
sdg       0001:61:01.0.2/0:3:0    Physical Disk            Active
          0001:61:01.0.2/0:6:0  Advanced Function Disk   Active
sdi       0001:61:01.0.2/0:9:0    Physical Disk            Active
sdh       0001:61:01.0.2/255:0:0  RAID 10 Disk Array      Failed
          0001:61:01.0.2/0:4:0    RAID 10 Array Member     Failed
          0001:61:01.0.2/0:5:0    RAID 10 Array Member     Failed

e=Exit  q=Cancel  r=Refresh  t=Toggle
```

Figure 12. Example Display Hardware Status

4. Verify that the disk drive that you installed is shown on this display.

Completing the procedure:

1. Replace the front cover.
2. Install or close the system, expansion unit, or rack front door.
3. To rebuild data on the newly installed or replaced disk drive or solid-state drive, see “Rebuilding data on a replacement disk drive or solid-state drive in a system or logical partition running Linux” on page 86.

Installing a disk drive or solid-state drive with the Virtual I/O Server system or logical partition power turned on

You can install a disk drive or solid-state drive in a system or expansion unit while the Virtual I/O Server operating system or logical partition that controls the disk drive location is powered on.

Before installing or replacing a feature, ensure that the software required to support the feature is installed on your system. For information about software prerequisites, see IBM Prerequisite. If the required software is not installed, see the following websites to download it, and then install it before continuing:

- To download firmware and software updates and fixes, see Fix Central.

DANGER

When working on or around the system, observe the following precautions:

Electrical voltage and current from power, telephone, and communication cables are hazardous. To avoid a shock hazard:

- Connect power to this unit only with the IBM provided power cord. Do not use the IBM provided power cord for any other product.
- Do not open or service any power supply assembly.
- Do not connect or disconnect any cables or perform installation, maintenance, or reconfiguration of this product during an electrical storm.
- The product might be equipped with multiple power cords. To remove all hazardous voltages, disconnect all power cords.
- Connect all power cords to a properly wired and grounded electrical outlet. Ensure that the outlet supplies proper voltage and phase rotation according to the system rating plate.
- Connect any equipment that will be attached to this product to properly wired outlets.
- When possible, use one hand only to connect or disconnect signal cables.
- Never turn on any equipment when there is evidence of fire, water, or structural damage.
- Disconnect the attached power cords, telecommunications systems, networks, and modems before you open the device covers, unless instructed otherwise in the installation and configuration procedures.
- Connect and disconnect cables as described in the following procedures when installing, moving, or opening covers on this product or attached devices.

To Disconnect:

1. Turn off everything (unless instructed otherwise).
2. Remove the power cords from the outlets.
3. Remove the signal cables from the connectors.
4. Remove all cables from the devices.

To Connect:

1. Turn off everything (unless instructed otherwise).
2. Attach all cables to the devices.
3. Attach the signal cables to the connectors.
4. Attach the power cords to the outlets.
5. Turn on the devices.

(D005)

This procedure is a complex set of steps that must be performed exactly to avoid potential data loss or system damage. Alternatively, you can use the powered-off procedure, which is a simpler task that involves less risk of data loss or system damage. For instructions, see “Installing a disk drive or solid-state drive with the system or logical partition power turned off” on page 25.

Note: Some of the figures in these procedures might not look exactly like the system or expansion unit that you have. However, the steps to perform the task are the same.

Preparing the system

1. Complete the prerequisite tasks. For instructions, see “Before you begin” on page 113.
2. Remove the front covers. For instructions, see Removing and replacing covers and doors
3. Determine the next available disk drive position in your system or expansion unit. For information, see “Disk drives or solid-state drive locations and service indicators” on page 74.

Note: When you have a system with an expansion unit, fill the slot positions in the system unit first. However, you can select a different disk drive placement depending on your data protection strategy.

4. Record the position where the new disk drive can be installed. For example, the next available disk drive slot might be P3-D4.
5. Perform the following steps to install a disk drive.

Installing the disk drive

1. Log in as root user.
2. At the command line, type `diagmenu` and press Enter.
3. Press Enter to continue.
4. On the Function Selection display, select **Task Selection**.
5. On the Tasks Selection display, select **Hot Plug Task**.
6. Select **SCSI and SCSI RAID Hot Plug Manager**.
7. Select **Attach a Device to a SCSI Hot Swap Enclosure Device**. A list of empty slots in the SCSI hot swap enclosure device is shown.
8. Select the slot where you want to install the disk drive and press Enter.
The disk drive slot enters the Identify state. The service indicator for the slot begins flashing. To view the locations of the service indicators, see “Disk drives or solid-state drive locations and service indicators” on page 74.
9. If the slot you want to use contains a disk drive filler, remove the filler. For instructions, see “Removing a disk drive filler” on page 68. Then, return here and continue with this procedure.

Important: .

Attention:

- Attach a wrist strap to an unpainted metal surface of your hardware to prevent electrostatic discharge (ESD) from damaging your hardware.
 - When using a wrist strap, follow all electrical safety procedures. A wrist strap is for static control. It does not increase or decrease your risk of receiving electric shock when using or working on electrical equipment.
 - If you do not have a wrist strap, just prior to removing the product from ESD packaging and installing or replacing hardware, touch an unpainted metal surface of the system for a minimum of 5 seconds.
10. Find the package that contains the new disk drive.
Attention: Disk drives are fragile. Handle with care.
 11. Remove the disk drive from the static-protective package. See “Installing a disk drive or solid-state drive in the 5887 disk drive enclosure” on page 19 for the steps to install a disk drive in the 5887 expansion unit.
 12. Unlock the disk drive handle by squeezing it and pulling it out toward you. If the handle is not all the way out, the disk drive does not slide into the system or expansion unit.
 13. If the disk drive you are installing does not have a bezel preinstalled, install the bezel in the disk drive. For instructions, see “Installing a disk drive bezel in a disk drive or filler” on page 73. Then, return here and continue with this procedure.

14. Support the bottom of the disk drive as you align it with the guide rails in the system unit. Do not hold the disk drive by the handle.
15. Slide the disk drive into the system unit until it stops, as shown in Figure 13.
16. Push the disk drive handle in until it locks. The light on the disk drive turns on.

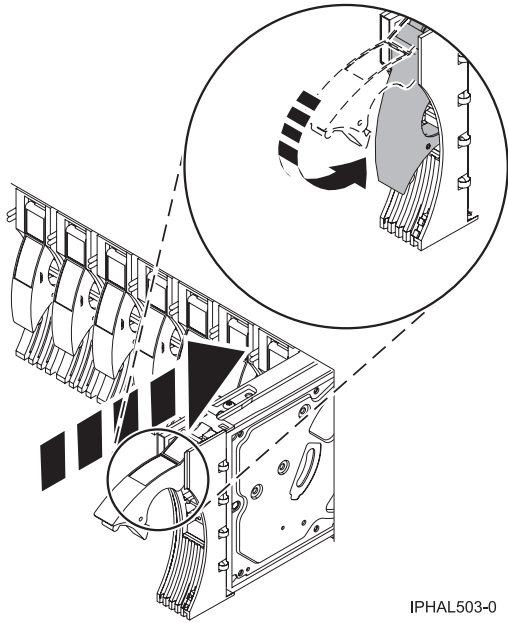


Figure 13. Installing a disk drive in a model

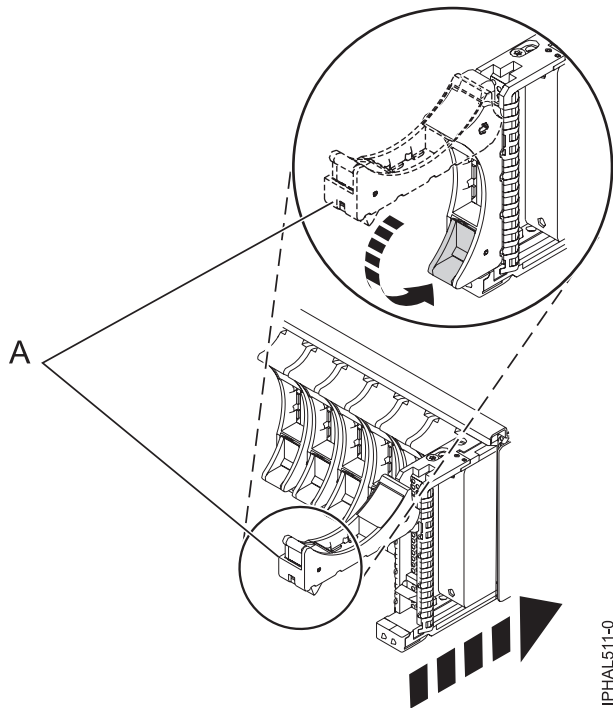


Figure 14. Installing a small-form factor disk drive in the 5803 expansion unit

17. Press Enter.

18. If you are installing more than one disk drive, repeat all the steps in this procedure until all disk drives are installed.
19. Cancel to get to the SCSI and SCSI RAID Hot Plug Manager menu.
20. Select **Configure Added/Replaced Devices**.
21. Exit to the command line.

Installing a disk drive or solid-state drive in the 5887 disk drive enclosure

Complete the following steps to install a disk drive or solid-state drive in the 5887 disk drive enclosure:

1. With the handle in the unlocked position, see Figure 15, support the bottom of the drive as you align it with the guide rails in the expansion unit.

Note: Do not hold the drive only by the handle. Support the drive by holding the drive by its sides.

2. Slide the drive halfway into the 5887 disk drive enclosure.
3. Select the drive that you want to install and press Enter on the console.
4. When the identify LED turns on solid, slide the drive into the 5887 disk drive enclosure until the drive stops.

Important: When installing a drive, ensure that the drive is fully seated and is all the way into the enclosure.

5. Rotate the handle to the locked position.

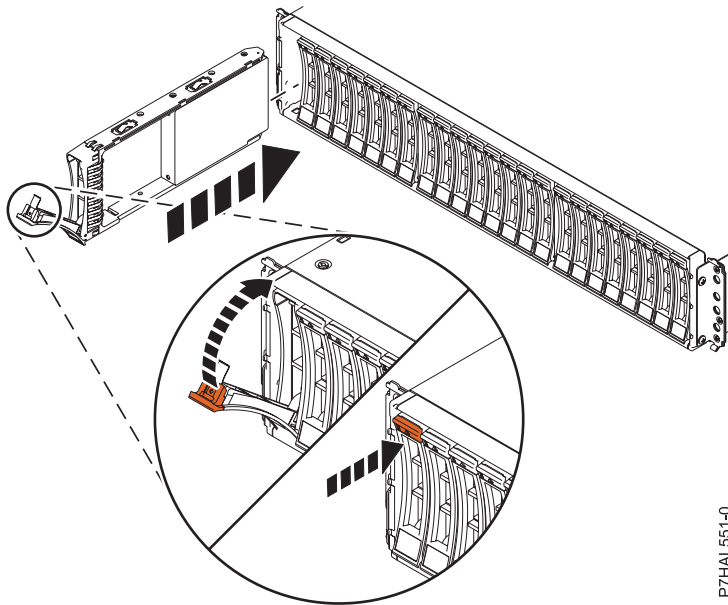


Figure 15. Installing the disk drive in the 5887 disk drive enclosure

6. On the console, press Enter to indicate that you have installed the drive.

Completing the procedure

1. Replace the front cover. For instructions on replacing the cover, see Removing and replacing covers and doors.
2. Verify the installed part:
 - If you replaced the part because of a failure, verify the installed part. For instructions, see “Verifying a repair” on page 145.
 - If you installed the part for any other reason, verify the installed part. For instructions, see “Verifying the installed part” on page 134.

3. To configure the newly installed disk drive or solid-state drive, see “Preparing a disk drive or solid-state drive for use in an AIX system or logical partition” on page 82.
4. To rebuild the data on the replacement disk drive or solid-state drive, see the following procedures for the applicable operating system that controls the disk drive or solid-state drive:
 - “Rebuilding data on a replacement disk drive or solid-state drive by using AIX” on page 83.
 - “Rebuilding data on a replacement disk drive or solid-state drive by using IBM i” on page 92.
 - “Rebuilding data on a replacement disk drive or solid-state drive in a system or logical partition running Linux” on page 86.

Installing a disk drive or solid-state drive with the IBM i system or logical partition power turned on

Learn how to install a disk drive or solid-state drive in a system or expansion unit while the IBM i operating system or logical partition that controls the disk drive location is powered-on.

If you are servicing a failing part, see the service procedures for “Replacing a disk drive with the IBM i system or logical partition power turned on” on page 47. This procedure is intended for installing a new or upgraded disk drive.

Before installing or replacing a feature, ensure that the software required to support the feature is installed on your system. For information about software prerequisites, see IBM Prerequisite. If the required software is not installed, see the following websites to download it, and then install it before continuing:

- To download firmware and software updates and fixes, see Fix Central.

If you are installing solid-state drives, review the configuration rules and then return here. For more information, see “Solid-state drive configuration rules for the 8233-E8B or 8236-E8C” on page 1.

Attention: This procedure is a complex set of steps that must be performed exactly to avoid potential data loss or system damage. Alternatively, you can use the powered-off procedure, which is a simpler task that involves less risk of data loss or system damage. For instructions, see “Installing a disk drive or solid-state drive with the system or logical partition power turned off” on page 25.

Note: Some of the figures in these procedures might not look exactly like the system or expansion unit that you have. However, the steps to perform the task are the same.

Preparing the system

1. Complete the prerequisite tasks. For instructions, see “Before you begin” on page 113.
2. Determine the next available disk drive position for your system or expansion unit. For information, see “Disk drives or solid-state drive locations and service indicators” on page 74.
3. Record the position where the new disk drive can be installed. For example, the next available disk drive slot might be P3-D4.

Preparing to install the disk drive

Follow the following instructions before you install a disk drive in the system or an expansion unit.

1. Record the physical location where the new disk drive can be installed.
 - a. The physical location has the following form: U787A.001.AAAXXXX-P3-D4 where P3-D4 is the position of the disk drive in the system unit or expansion unit. Find the U787A.001.AAAXXXX location information from the control panel display on the system unit or expansion unit.
 - b. In this example, U787A.001.AAAXXXX-P3-D4, U787A.001 comes from the feature code (FC) on the label, AAAXXXX comes from the last seven digits of the sequence number (SN or SEQ) on the label, and P3-D4 is the slot where you are installing the disk drive as shown in “Disk drives or solid-state drive locations and service indicators” on page 74.

- c. If you cannot find the location information from the control panel, find the feature code (FC) and sequence number (SN or SEQ) on the label that is shown on the front of the system unit or expansion unit, as shown in Figure 16.
In the example, U5074.001.AAAXXXX-DB3-D32, you would install a disk drive in the expansion unit



Figure 16. Example of a system or expansion unit label

with type 5074, model 001, sequence number AAAXXXX, and disk drive position DB3–D32.

2. Sign on to service level authority.
3. Type `strsst` on the command line of the IBM i session and press Enter.
4. Type your service tools user ID and service tools password on the Start Service Tools (STRSST) Sign On display. Press Enter.

Remember: The service tools password is case-sensitive.

5. Select **Start a service tool** from the System Service Tools (SST) display. Press Enter.
6. Select **Hardware service manager** from the Start a Service Tool display. Press Enter.
7. If the slot you want to use contains a disk drive filler, do not remove the disk drive filler yet. Move on to step “Installing the disk drive.”

Note: The disk drive filler is a single piece that does not attach to the new disk drive.

See “Installing a disk drive or solid-state drive in the 5887 disk drive enclosure” on page 23 for the steps to install a disk drive in the 5887 expansion unit. **Attention:**

- Attach a wrist strap to an unpainted metal surface of your hardware to prevent electrostatic discharge (ESD) from damaging your hardware.
- When using a wrist strap, follow all electrical safety procedures. A wrist strap is for static control. It does not increase or decrease your risk of receiving electric shock when using or working on electrical equipment.
- If you do not have a wrist strap, just prior to removing the product from ESD packaging and installing or replacing hardware, touch an unpainted metal surface of the system for a minimum of 5 seconds.

Installing the disk drive

1. Find the package that contains the new disk drive.
Attention: Disk drives are fragile. Handle with care.
2. Remove the disk drive from the protective package. Record the serial number (use the last four digits) of the disk drive.
3. Unlock the disk drive handle by squeezing it and pulling it out toward you. If the handle is not all the way out, the disk drive does not slide into the system or expansion unit.
4. Select **Device Concurrent Maintenance** from the Hardware Service Manager display. Press Enter. The Device Concurrent Maintenance is displayed, as shown in the following figure.

Device Concurrent Maintenance

Type the choices, then press Enter.

Specify either physical location or resource name.

Physical location:

U787A.001.1234567-P3-D4

or

Device resource name:

Specify action as 1=Remove device 2=Install device

Action to be performed : 2

Enter a time value between 00 and 19.

Time delay needed in minutes : 01

F3=Exit F5=Refresh F12=Cancel

Figure 17. Example Device Concurrent Maintenance display

5. In the **Specify either physical location or resource name** field, type the physical location that you had previously recorded in this procedure, as shown in Figure 17.
6. Select option 2 (Install device) for the Action to be performed.
7. Set the time delay for one minute - 01.

Important: Do not press Enter at this time.

8. Remove the disk drive filler. For instructions, see “Removing a disk drive filler” on page 68. Then, return here and continue with this procedure.
9. If you removed the bezel from the removed disk drive or from the disk drive filler, attach the bezel to the new disk drive. For instructions, see “Installing a disk drive bezel in a disk drive or filler” on page 73. Then, return here and continue with this procedure.
10. Support the bottom of the disk drive as you align it with the guide rails in the system or expansion unit. Do not hold the disk drive by the handle.
11. Slide the disk drive halfway into the system or expansion unit.
12. Press Enter on the console.

Important: When you press Enter, after a one minute delay (or the time you set for the delay), the service indicator light comes on (solid) for 18 seconds. You then have 18 seconds to slide the drive all the way in and then lock it in place by pushing in the drive handle.

13. When the service indicator starts flashing, slide the disk drive all the way in and lock it in place by closing the latch, as shown in Figure 18 on page 23.

Note: The service indicator stops flashing and remains on when you have installed the disk drive properly.

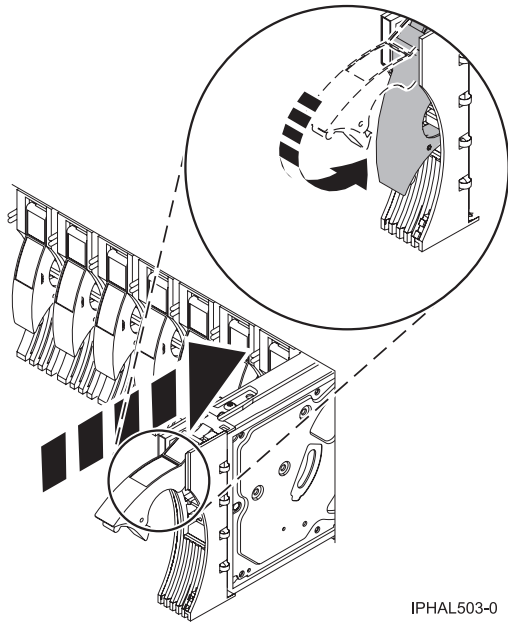


Figure 18. Sliding the disk drive in to the system unit

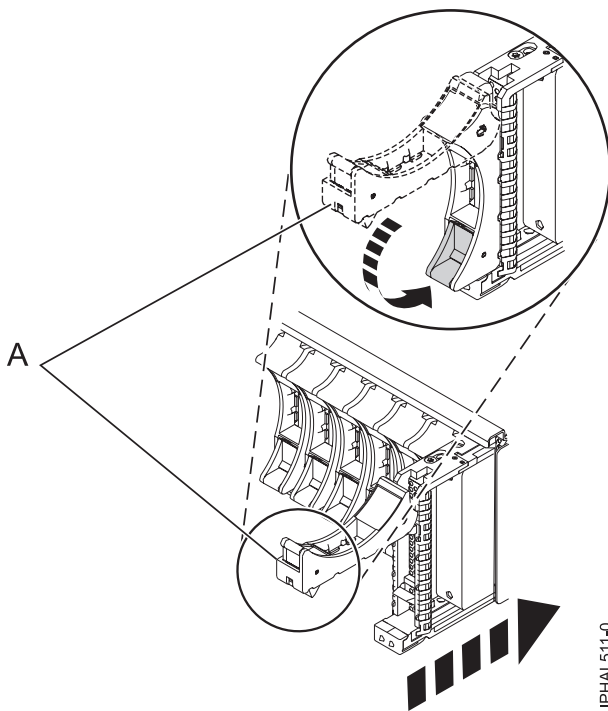


Figure 19. Installing a small-form factor disk drive in the 5803 expansion unit

14. If you are installing more than one disk drive, perform all the steps in “Installing the disk drive” on page 21 until all disk drives are installed.

Installing a disk drive or solid-state drive in the 5887 disk drive enclosure:

Complete the following steps to install a disk drive or solid-state drive in the 5887 disk drive enclosure:

1. With the handle in the unlocked position, see Figure 20 on page 24, support the bottom of the drive as you align it with the guide rails in the expansion unit.

Note: Do not hold the drive only by the handle. Support the drive by holding the drive by its sides.

2. Slide the drive halfway into the 5887 disk drive enclosure.
3. Select the drive that you want to install and press Enter on the console.
4. When the identify LED turns on solid, slide the drive into the 5887 disk drive enclosure until the drive stops.

Important: When installing a drive, ensure that the drive is fully seated and is all the way into the enclosure.

5. Rotate the handle to the locked position.

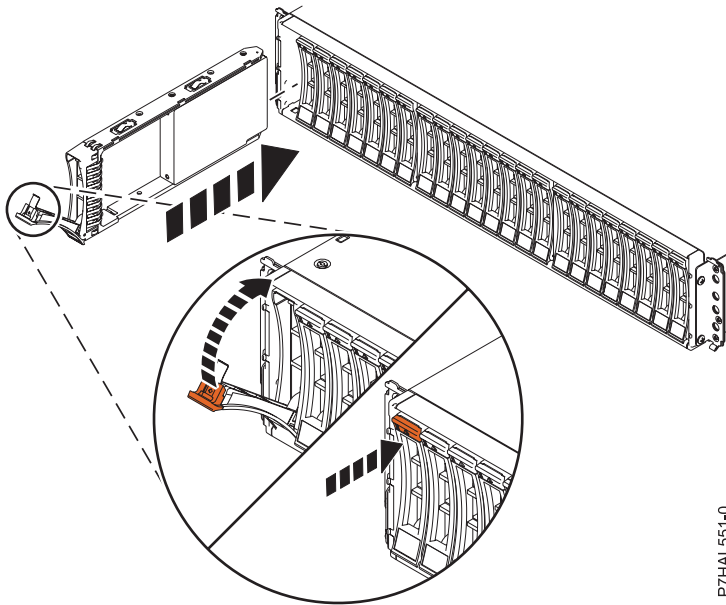


Figure 20. Installing the disk drive in the 5887 disk drive enclosure

6. On the console, press Enter to indicate that you have installed the drive.

Completing the procedure

1. Replace the front cover.
2. Install or close the front door of the system, expansion unit, or rack.
3. Return to the console and wait until the Concurrent Maintenance Results display is shown. Press Enter.
4. Verify the installed part:
 - If you replaced the part because of a failure, verify the installed part. For instructions, see “Verifying a repair” on page 145.
 - If you installed the part for any other reason, verify the installed part. For instructions, see “Verifying the installed part” on page 134.
5. To configure the newly installed disk drive or solid-state drive, see the following procedures for the applicable operating system that controls the disk drive or solid-state drive:
 - “Preparing a disk drive or solid-state drive for use in an AIX system or logical partition” on page 82.
 - “Configuring a disk drive or solid-state drive in an IBM i system or logical partition” on page 90.

Note: There is no equivalent procedure for a system or logical partition that is running the Linux operating system.

Installing a disk drive or solid-state drive with the system or logical partition power turned off

Learn how to install a disk drive in a system or logical partition that controls the disk drive location with the power turned off.

If you are servicing a failing part, see the service procedures for “Replacing a disk drive with the system or logical partition power turned off” on page 55. This procedure is intended for installing a new or upgraded disk drive.

Before installing or replacing a feature, ensure that the software required to support the feature is installed on your system. For information about software prerequisites, see IBM Prerequisite. If the required software is not installed, see the following websites to download it, and then install it before continuing:

- To download firmware and software updates and fixes, see Fix Central.

Perform the following steps to install a disk drive from the system or partition that controls the disk drive.

If you are installing solid-state drives, review the configuration rules and then return here. For more information, see “Solid-state drive configuration rules for the 8233-E8B or 8236-E8C” on page 1.

Preparing the system

Perform the following tasks before installing a disk drive or solid-state drive in the system or an expansion unit:

1. Complete the prerequisite tasks. For instructions, see “Before you begin” on page 113.
2. If applicable, remove the system unit door or expansion unit door, or open the rack.
3. If applicable, remove the front cover.
4. Determine the next available disk drive position in your system or expansion unit. For information, see “Disk drives or solid-state drive locations and service indicators” on page 74.

Note: When you have a system with an expansion unit, you must fill the slot positions in the system unit first. However, you can select a different disk drive placement depending on your data protection strategy.

5. Stop the system or logical partition. For instructions, see “Stopping a system or logical partition” on page 123.

Installing the disk drive

1. If the slot you want to use contains a disk drive filler, remove the disk drive filler. For instructions, see “Removing a disk drive filler” on page 68. Then, return here and continue with this procedure.

Attention:

- Attach a wrist strap to an unpainted metal surface of your hardware to prevent electrostatic discharge (ESD) from damaging your hardware.
- When using a wrist strap, follow all electrical safety procedures. A wrist strap is for static control. It does not increase or decrease your risk of receiving electric shock when using or working on electrical equipment.
- If you do not have a wrist strap, just prior to removing the product from ESD packaging and installing or replacing hardware, touch an unpainted metal surface of the system for a minimum of 5 seconds.

2. Find the package that contains the new disk drive.

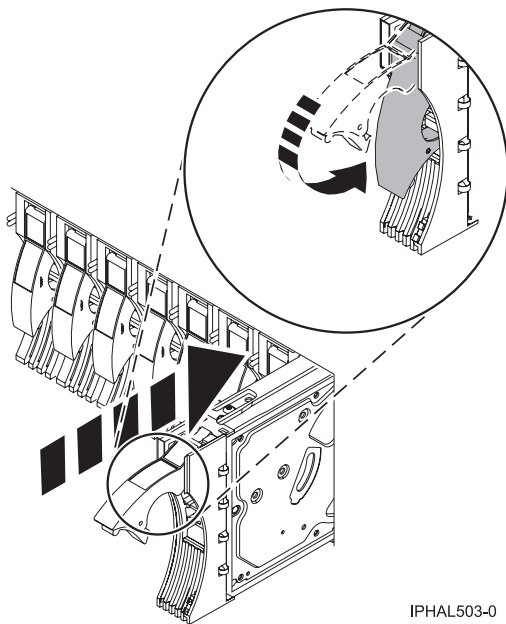
Attention: Disk drives are fragile. Handle with care.

3. Remove the disk drive from its protective package. Record the serial number (use the last four digits) of the disk drive.

4. Unlock the disk drive handle by squeezing and pulling it out toward you before you install the disk drive. If the handle is not all the way out, the disk drive does not slide into the system or expansion unit. See “Installing a disk drive or solid-state drive in the 5887 disk drive enclosure” on page 27 for the steps to install a disk drive in the 5887 expansion unit.
5. If your disk drive does not have a bezel preinstalled, follow the steps in “Installing a disk drive bezel in a disk drive or filler” on page 73 to install the disk drive bezel on the new disk drive. Then, return here and continue with this procedure.
6. Support the bottom of the disk drive as you align it with the guide rails in the system or expansion unit. Do not hold the disk drive by the handle.
7. Slide the disk drive into the system or expansion unit until it stops.

Note: When installing a disk drive, the drive must be fully seated and all the way into the system.

8. Push the disk drive handle in until it locks, as shown in Figure 21.



IPHAL503-0

Figure 21. Installing a disk drive

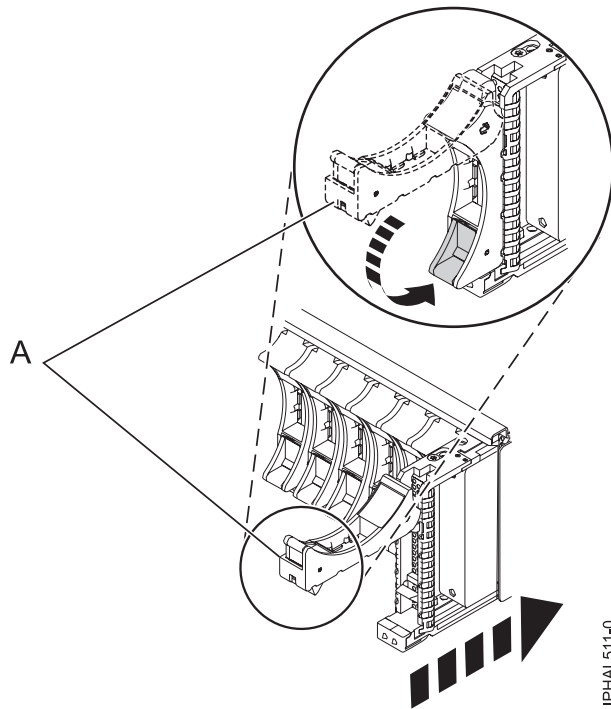


Figure 22. Installing a small-form factor disk drive in the 5803 expansion unit

9. If you are installing more than one disk drive, repeat all steps in this procedure until all disk drives are installed.

Installing a disk drive or solid-state drive in the 5887 disk drive enclosure:

Complete the following steps to install a disk drive or solid-state drive in the 5887 disk drive enclosure:

1. With the handle in the unlocked position, as shown in Figure 23 on page 28, support the bottom of the drive as you align it with the guide rails in the expansion unit.

Note: Do not hold the solid-state drive only by the handle. Support the drive by holding the drive by its sides.

2. Slide the drive into the 5887 disk drive enclosure until the drive stops.

Important: When installing a drive, ensure that the drive is fully seated and is all the way into the enclosure.

3. Rotate the handle to the locked position.

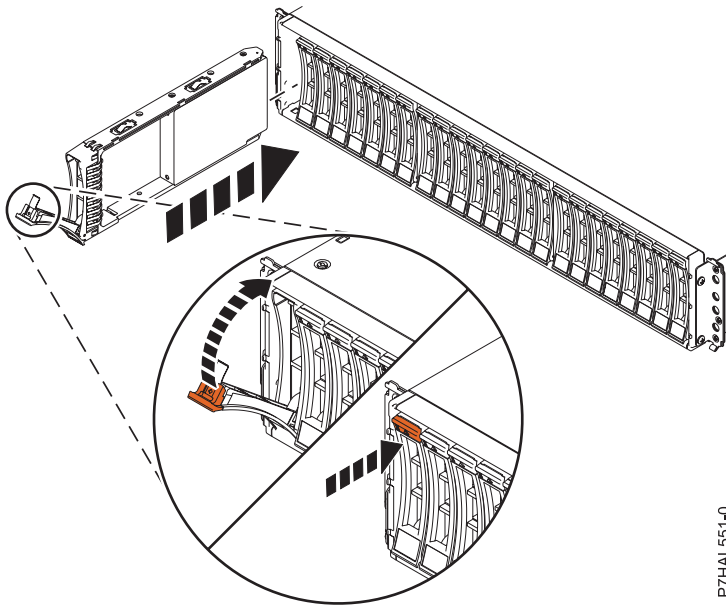


Figure 23. Installing the disk drive in the 5887 disk drive enclosure

Completing the procedure

1. Replace the front cover.
2. Install or close the system, expansion unit, or rack front door.
3. If the system power cables were removed, reconnect them.
4. Start the system or logical partition. For instructions, see “Starting the system or logical partition” on page 121.
5. To configure the newly installed disk drive or solid-state drive, see the following procedures for the applicable operating system that controls the disk drive or solid-state drive:
 - “Preparing a disk drive or solid-state drive for use in an AIX system or logical partition” on page 82.
 - “Configuring a disk drive or solid-state drive in an IBM i system or logical partition” on page 90.

Note: There is no equivalent procedure for a system or logical partition that is running the Linux operating system.

6. To rebuild the data on the replacement disk drive or solid-state drive, see the following procedures for the applicable operating system that controls the disk drive or solid-state drive:
 - “Rebuilding data on a replacement disk drive or solid-state drive by using AIX” on page 83.
 - “Rebuilding data on a replacement disk drive or solid-state drive by using IBM i” on page 92.
 - “Rebuilding data on a replacement disk drive or solid-state drive in a system or logical partition running Linux” on page 86.

Removing a disk drive or solid-state drive from the 8233-E8B or 8236-E8C

Learn to remove a failed disk drive or solid-state drive from the server or an expansion unit with the system or logical partition power turned on or turned off.

Removing a disk drive or solid-state drive with the AIX system or logical partition power turned on

Learn to replace a failed Small Computer System Interface (SCSI) or serial-attached SCSI (SAS) drive in a system or an expansion unit while the power of the AIX operating system or logical partition that controls the drive location is turned on.

If you are installing a new or upgraded drive, see “Installing a disk drive or solid-state drive with the AIX system or logical partition power turned on” on page 3. If you are removing a drive as part of a service procedure, continue to use the following procedure.

Attention: The powered-on procedure is a complex set of steps that must be performed exactly to avoid potential data loss or system damage. Alternatively, you can use the powered-off procedure, which is a simpler task that involves less risk of data loss or system damage. If the system or logical partition that controls the drive you are replacing is at the AIX command line, you can use this powered-on procedure. If the drive that you are replacing is in the root volume group (rootvg) and it is not protected by either Redundant Array of Independent Disks (RAID) or mirroring, or to use the powered-off procedure, go to “Replacing a disk drive with the system or logical partition power turned off” on page 55.

Note: Some of the figures in these procedures might not look exactly like the system or expansion unit that you have. However, the steps to perform the task are the same.

Preparing the system

1. Complete the prerequisite tasks. For instructions, see “Before you begin” on page 113.
2. Prepare to remove the drive from the system or expansion unit as described in “Preparing to remove a disk drive or solid-state drive from a system or an expansion unit controlled by AIX” on page 82.
3. If applicable, remove the system unit door, expansion unit door, or the rack door.
4. If applicable, remove the front cover.
5. To replace a Just a Bunch of Disks (JBOD) drive attached to any SCSI or SCSI RAID adapter, see the procedure in “Replacing a SCSI disk drive” on page 54.

Removing a disk drive or solid-state drive

1. If you are removing a solid-state device located on a PCIe RAID and SSD SAS adapter, go to Removing and replacing the PCIe RAID and SSD SAS adapter. Removing and replacing the PCIe RAID and SSD SAS adapter and complete that procedure, then return here and perform the following steps.
2. Log in as root user.
3. At the command line, type `diag` and press Enter.
4. Press Enter to continue.
5. On the Function Selection display, select **Task Selection**.
6. Select **Hot Plug Task**.
7. Select **SCSI and SCSI RAID Hot Plug Manager** or **RAID Hot Plug Devices**, depending on the adapter that your drive is attached to.

Tip: One or both of these options might be available, depending on the configuration of your system. If the drive you want to replace is not listed when you follow the steps for the SCSI and SCSI RAID Hot Plug Manager, go to step 8 on page 30.

- If you have a RAID drive attached to a 2498 PCI SCSI RAID adapter, continue with step 8 on page 30.
- If you have a JBOD drive attached to any SCSI or SCSI RAID adapter, go to “Replacing a SCSI disk drive” on page 54.
- If you have RAID drives attached to any other adapter, go to the *PCI-X SCSI RAID Controller Reference Guide for AIX*. This guide is available from the SCSI PCI Adapters web page.

8. Select **RAID Hot Plug Devices**.
9. On the Resource Selection List, select the adapter that is connected to the array that contains the drive you want to replace. Press Enter.
10. Select **Commit**.
11. On the Identify and Remove Resources menu, select **Remove**. Press Enter.
A list of the drives that you can remove is shown. If the drive you want to remove does not appear in the list, ask your system administrator to put the drive in the Failed state before continuing with this procedure. For information, see *AIX System Management Guide: Operating System and Devices*. This guide is available at the System p® and AIX Information Center .
12. Select the drive that you want to remove and press Enter. The service indicator for the slot flashes rapidly.
Attention: If the light does not flash rapidly, do not remove the drive.
To view the locations of the service indicators, go to “Disk drives or solid-state drive locations and service indicators” on page 74.
13. Unlock the drive handle by squeezing it and pulling it out toward you as shown in Figure 24.

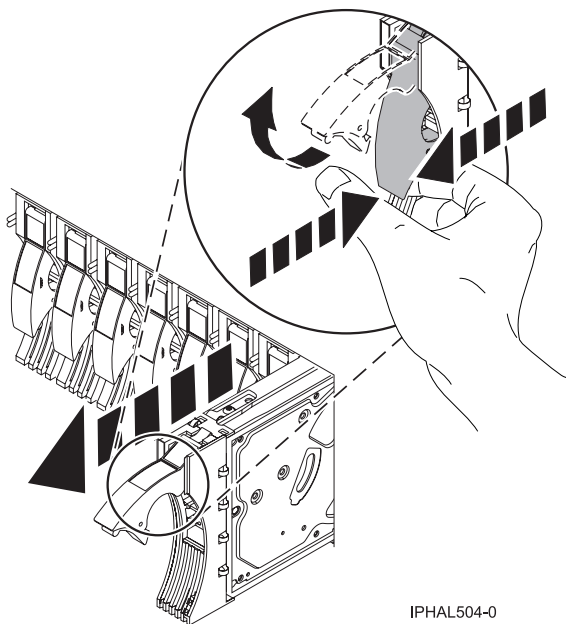
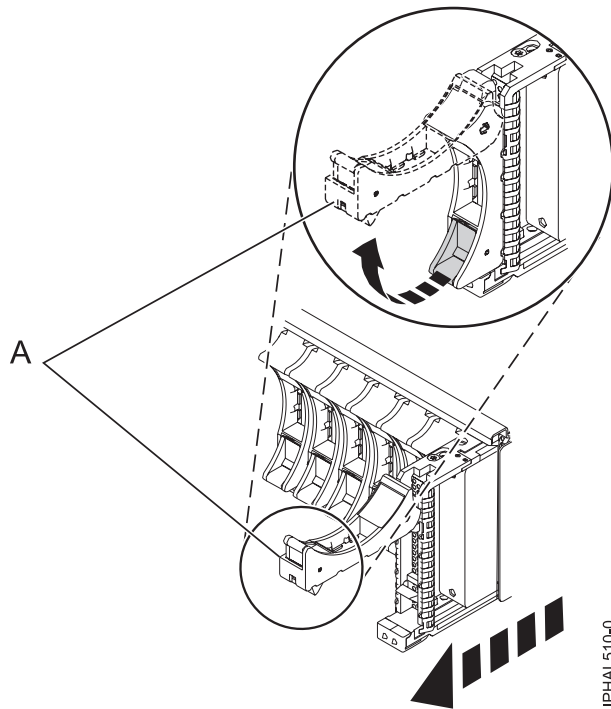


Figure 24. Removing a disk drive from a model



IPHAL510-0

Figure 25. Removing a small-form factor disk drive from the 5803 expansion unit

14. Support the bottom of the drive as you slide it out of the system or expansion unit. Do not hold the drive by the handle.

The service indicator for the slot turns off when you remove the drive.

Removing a disk drive with the Linux system or logical partition power turned on

Learn to replace a Small Computer System Interface (SCSI) or serial-attached SCSI (SAS) disk drive in a system or expansion unit while the power of the Linux operating system or logical partition that controls the disk drive location is turned on.

If you are installing a new or upgraded disk drive, see “Installing a disk drive or solid-state drive with the Linux system or logical partition power turned on” on page 9. If you are removing a disk drive as part of a service procedure, continue to use the following procedure.

DANGER

When working on or around the system, observe the following precautions:

Electrical voltage and current from power, telephone, and communication cables are hazardous. To avoid a shock hazard:

- Connect power to this unit only with the IBM provided power cord. Do not use the IBM provided power cord for any other product.
- Do not open or service any power supply assembly.
- Do not connect or disconnect any cables or perform installation, maintenance, or reconfiguration of this product during an electrical storm.
- The product might be equipped with multiple power cords. To remove all hazardous voltages, disconnect all power cords.
- Connect all power cords to a properly wired and grounded electrical outlet. Ensure that the outlet supplies proper voltage and phase rotation according to the system rating plate.
- Connect any equipment that will be attached to this product to properly wired outlets.
- When possible, use one hand only to connect or disconnect signal cables.
- Never turn on any equipment when there is evidence of fire, water, or structural damage.
- Disconnect the attached power cords, telecommunications systems, networks, and modems before you open the device covers, unless instructed otherwise in the installation and configuration procedures.
- Connect and disconnect cables as described in the following procedures when installing, moving, or opening covers on this product or attached devices.

To Disconnect:

1. Turn off everything (unless instructed otherwise).
2. Remove the power cords from the outlets.
3. Remove the signal cables from the connectors.
4. Remove all cables from the devices.

To Connect:

1. Turn off everything (unless instructed otherwise).
2. Attach all cables to the devices.
3. Attach the signal cables to the connectors.
4. Attach the power cords to the outlets.
5. Turn on the devices.

(D005)

Attention: Read these instructions carefully and understand the complexity of the powered-on procedure before you begin. If the system or logical partition that controls the disk drive you are replacing is at the Linux command line, you can use this powered-on procedure.

Go to “Replacing a disk drive with the system or logical partition power turned off” on page 55, if:

- You are installing a disk drive that is to be connected with the 6203 or 6204 SCSI adapter
- You do not feel comfortable using the power turned on procedure

Note: Some of the figures in these procedures might not look exactly like the system or expansion unit that you have. However, the steps to perform the task are the same.

Preparing the system

1. Complete the prerequisite tasks. For instructions, see “Before you begin” on page 113.
2. Is the disk drive you are replacing in a redundant array of independent disk (RAID) 0 array or is the disk drive you are replacing in a failed RAID level 5 or 10 array?
 - If yes, you must delete the disk array before replacing the disk. For instructions, see *PCI-X SCSI RAID Controller Reference Guide for Linux*.

This guide is available from the SCSI PCI Adapters web page.

- If no, your drive is configured as Just a Bunch of Disks (JBOD) or is configured within a degraded array. Proceed to the next step.
3. If the disk drive you are replacing is in a redundant array of independent disk (RAID) Level 0 disk array or in a failed RAID Level 5 or RAID Level 10 disk array, you must delete the disk array before replacing the disk. For instructions, see the *PCI-X SCSI RAID Controller Reference Guide for Linux*.

This guide is available from the SCSI PCI Adapters web page.

4. If applicable, remove the system unit door or expansion unit door or open the rack front door.
5. If applicable, remove the front cover.

Remove the disk drive by using the Linux kernel 2.6.

Removing the disk drive by using Linux kernel 2.6

Learn how to replace a disk drive in a location that is controlled by a system or logical partition that is running Linux kernel 2.6.

Preparing to remove the disk drive:

1. Log in as root user.
2. Type `iprconfig` on the command line of the Linux session and press Enter.
The IBM Power RAID Configuration Utility display is shown.
3. Select **Analyze log**. Press Enter. The Kernel Messages Log display is shown.

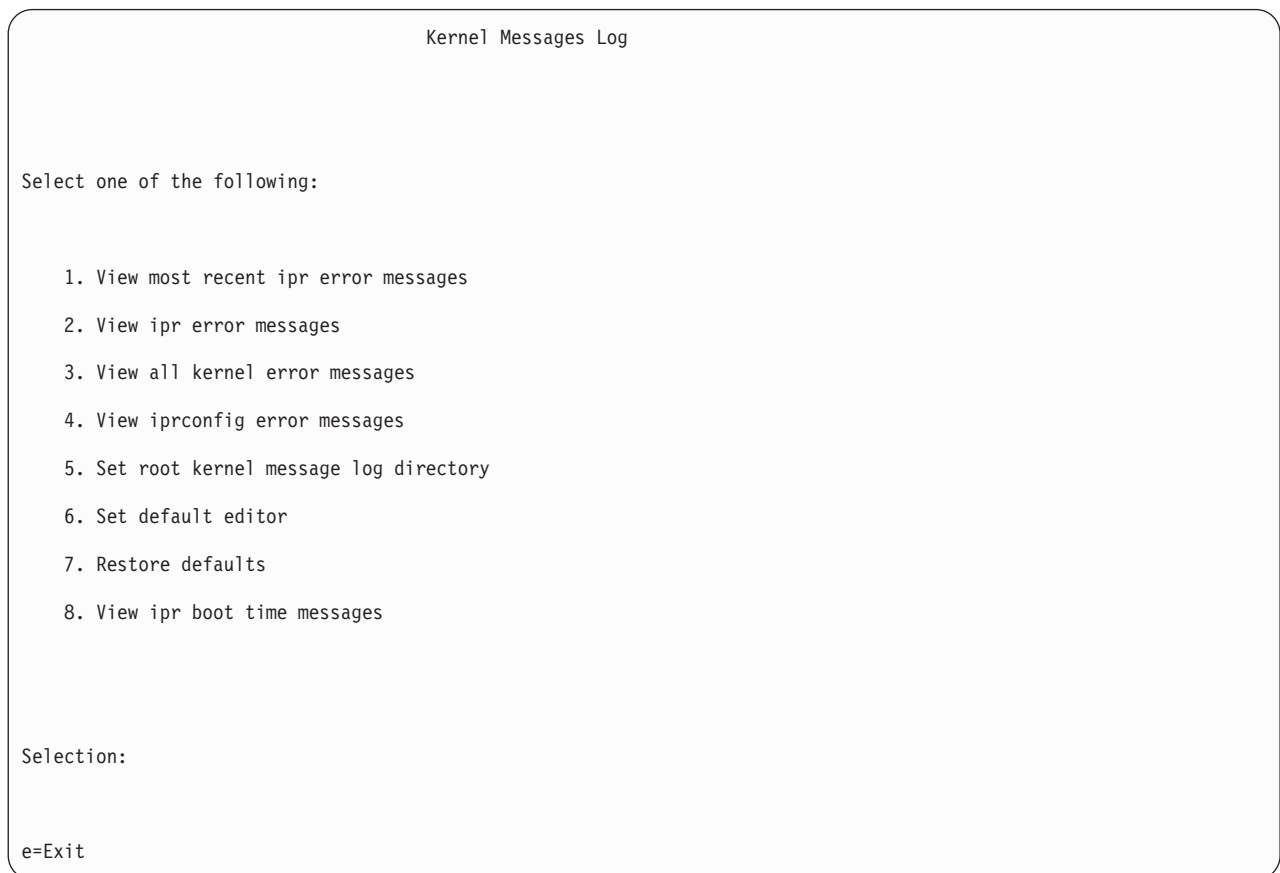


Figure 26. Kernel Messages Log

4. Select **View most recent ipr error messages** from the Kernel Messages Log display. Press Enter.
5. Find the entry in the log for the disk drive you want to replace.

6. Record the location information for the disk drive.

Note: The location information has the form of 2:0:8:0. In this example, 2 is the SCSI host number, 0 is the SCSI bus, 8 is the SCSI target ID, and 0 is the LUN (logical unit).

7. Return to the command line.

8. Type the following command:

```
ls -ld /sys/class/scsi_host/host#/device
```

Where # is the SCSI host number. Press Enter.

9. Record the PCI location information.

Note: The PCI location information has the form of 61:01:0:2.

10. Type `iprconfig` on the command line and press Enter.

The IBM Power RAID Configuration Utility display is shown.

11. Select **Display hardware status** from the IBM Power RAID Configuration Utility display. Press Enter.

The Display Hardware Status display is shown.


```

Display Hardware Status

Type option, press Enter.

1=Display hardware resource information details

OPT Name  PCI/SCSI Location      Description      Status
-----
          0000:01:01.0.0/        PCI-X SCSI Adapter  Operational
          0000:41:01.0.1/        PCI-X SCSI Adapter  Operational
sda       0000:41:01.0.1/0:3:0        Physical Disk       Active
sdb       0000:41:01.0.1/0:4:0        Physical Disk       Active
sdc       0000:41:01.0.1/0:8:0        Physical Disk       Active
sdd       0000:41:01.0.1/1:3:0        Physical Disk       Active
sde       0000:41:01.0.1/1:4:0        Physical Disk       Active
sdf       0000:41:01.0.1/1:5:0        Physical Disk       Active
          0001:61:01.0.2/        PCI-X SCSI RAID Adapter  Operational
sdg       0001:61:01.0.2/0:3:0        Physical Disk       Active
          0001:61:01.0.2/0:6:0        Advanced Function Disk  Active
sdi       0001:61:01.0.2/0:9:0        Physical Disk       Active
sdh       0001:61:01.0.2/255:0:0      RAID 10 Disk Array  Failed
          0001:61:01.0.2/0:4:0        RAID 10 Array Member  Failed
          0001:61:01.0.2/0:5:0        RAID 10 Array Member  Failed

e=Exit  q=Cancel  r=Refresh  t=Toggle

```

Figure 27. Example Display Hardware Status

12. Look for the disk drive at the PCI location you recorded. The disk drive might have a Failed status.
13. If the disk drive you want to replace is unprotected or in use, move the data from the disk drive before continuing with this procedure.
For information, see the *PCI-X SCSI RAID Controller Reference Guide for Linux*.
This guide is available from the SCSI PCI Adapters web page.
14. Type option 1 (Display hardware resource information details) next to the disk drive you want to replace. Press Enter.
The Disk Hardware Resource Information Details is displayed like the shown in the following sample.

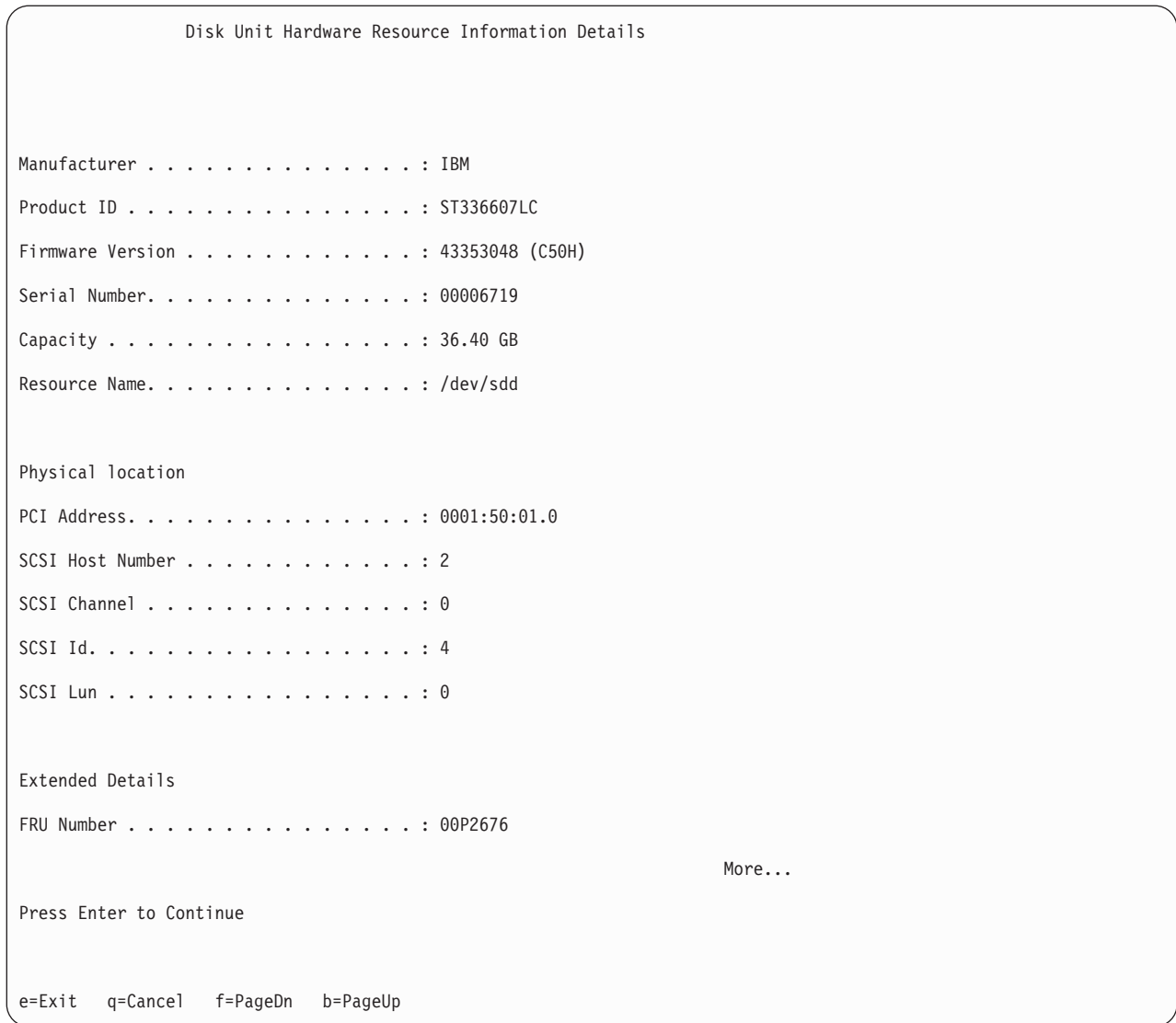


Figure 28. Example Disk Hardware Resource Information Details display

15. Record the physical location information.
16. Return to the IBM Power RAID Configuration Utility display.

Removing the disk drive:

1. If you are removing a solid state device located on a PCIe RAID and SSD SAS adapter, go to Removing and replacing the PCIe RAID and SSD SAS adapterRemoving and replacing the PCIe RAID and SSD SAS adapter and complete that procedure, then return here and perform the following steps.
2. From the IBM Power RAID Configuration Utility display, select **Work with disk unit recovery**. Press Enter.
3. From the Work with Disk Unit Recovery display, select **Concurrent remove device**. Press Enter. A Concurrent Device Remove display is shown, like the following sample.

Concurrent Device Remove			
Choose a single location for remove operations			
1=Select			
OPT Name	PCI/SCSI Location	Description	Status
sdc	0000:41:01.0.1/0:8:0	Physical Disk	Active
	0000:41:01.0.1/0:5:		Empty
sdb	0000:41:01.0.1/0:4:0	Physical Disk	Active
sda	0000:41:01.0.1/0:3:0	Physical Disk	Active
	0000:41:01.0.1/1:8:		Empty
sdf	0000:41:01.0.1/1:5:0	Physical Disk	Active
sde	0000:41:01.0.1/1:4:0	Physical Disk	Active
sdd	0000:41:01.0.1/1:3:0	Physical Disk	Active
	0001:61:01.0.2/0:8:		Empty
sdh	0001:61:01.0.2/0:9:0	Physical Disk	Active
sdg	0001:61:01.0.2/0:3:0	Physical Disk	Active

Figure 29. Example Concurrent Device Remove display

4. Type option 1 (Select) next to the location for the disk drive you want to replace. Press Enter.
5. The Verify Device Concurrent Remove display is shown. The concurrent maintenance light turns on for that disk drive slot. To view the locations of the concurrent maintenance lights, select the appropriate model from the following list:
 - “Disk drive locations and service indicators for the 5786, 5787, 7031-D24, and 7031-T24 SCSI disk-drive enclosures” on page 79
6. On the Verify Device Concurrent Remove display, verify that the selected disk drive is the disk drive you want to replace, then press Enter. The identify light turns on for the disk drive.

Note: Ensure that the disk drive is not in use to prevent loss of data.

7. The Device Concurrent Remove display is shown.

Attention:

- Attach a wrist strap to an unpainted metal surface of your hardware to prevent electrostatic discharge (ESD) from damaging your hardware.
 - When using a wrist strap, follow all electrical safety procedures. A wrist strap is for static control. It does not increase or decrease your risk of receiving electric shock when using or working on electrical equipment.
 - If you do not have a wrist strap, just prior to removing the product from ESD packaging and installing or replacing hardware, touch an unpainted metal surface of the system for a minimum of 5 seconds.
8. Squeeze and pull the handle of the disk drive out toward you before you remove the disk drive as shown in Figure 30 on page 38. If the handle is not all the way out, the disk drive does not slide out of the system or expansion unit.

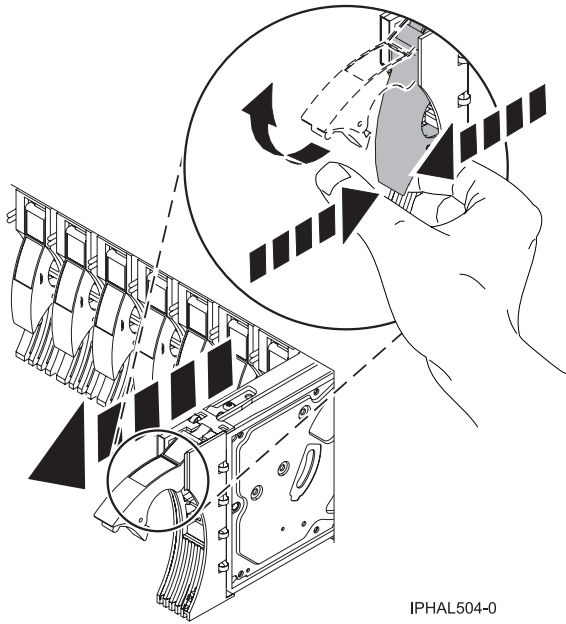


Figure 30. Removing a disk drive from a model or 7311-D20

9. Support the bottom of the disk drive as you slide it out of the system or expansion unit. Do not hold the disk drive by the handle.
10. Press Enter on the IBM Power RAID Configuration Utility to indicate that you have removed the disk drive.

Removing a disk drive from a system or expansion unit controlled by IBM i

Learn how to remove a failed Small Computer System Interface (SCSI) or serial-attached SCSI (SAS) disk drive from a system or an expansion unit with an IBM i operating system or a logical partition that controls the disk drive location.

If you are removing a disk drive in order to install a new or upgraded disk drive, see “Installing a disk drive or solid-state drive with the IBM i system or logical partition power turned on” on page 20. If you are removing a disk drive as part of a service procedure, continue to use the following procedure.

DANGER

When working on or around the system, observe the following precautions:

Electrical voltage and current from power, telephone, and communication cables are hazardous. To avoid a shock hazard:

- Connect power to this unit only with the IBM provided power cord. Do not use the IBM provided power cord for any other product.
- Do not open or service any power supply assembly.
- Do not connect or disconnect any cables or perform installation, maintenance, or reconfiguration of this product during an electrical storm.
- The product might be equipped with multiple power cords. To remove all hazardous voltages, disconnect all power cords.
- Connect all power cords to a properly wired and grounded electrical outlet. Ensure that the outlet supplies proper voltage and phase rotation according to the system rating plate.
- Connect any equipment that will be attached to this product to properly wired outlets.
- When possible, use one hand only to connect or disconnect signal cables.
- Never turn on any equipment when there is evidence of fire, water, or structural damage.
- Disconnect the attached power cords, telecommunications systems, networks, and modems before you open the device covers, unless instructed otherwise in the installation and configuration procedures.
- Connect and disconnect cables as described in the following procedures when installing, moving, or opening covers on this product or attached devices.

To Disconnect:

1. Turn off everything (unless instructed otherwise).
2. Remove the power cords from the outlets.
3. Remove the signal cables from the connectors.
4. Remove all cables from the devices.

To Connect:

1. Turn off everything (unless instructed otherwise).
2. Attach all cables to the devices.
3. Attach the signal cables to the connectors.
4. Attach the power cords to the outlets.
5. Turn on the devices.

(D005)

1. Before removing a disk drive, back up all the data from the disk drive or the array that the drive is a part of, and then move the data from the disk drive that you want to remove. For instructions, choose one of the following options:
 - Move and remove disk units
 - **Recovering your system** in the IBM i Information Center
Go to IBM i Information Center website, and select from the following options:
 - If you select V6R1, expand **IBM i 6.1 Information Center > Systems management > Backup and recovery > Recovering your system**
 - If you select V5R4, expand **i5/OS Information Center > Systems management > Backup and recovery > Backing up and recovering your system > Recovering your system**
2. Prepare to remove the disk drive from the system configuration as described in “Preparing to remove a disk drive or solid-state drive from a system or logical partition controlled by IBM i” on page 41.
3. Locate the disk drive to be removed. See “Disk drives or solid-state drive locations and service indicators” on page 74.

Preparing the system

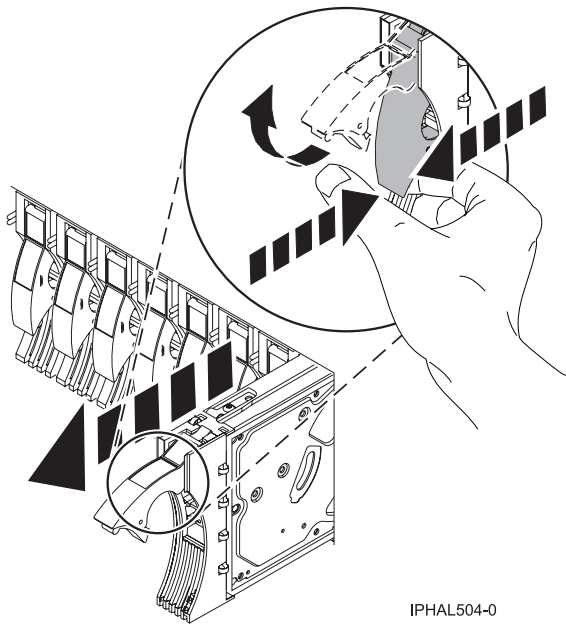
1. Complete the prerequisite tasks. For instructions, see “Before you begin” on page 113.
2. If applicable, remove the system unit door, expansion unit door, or the rack door.
3. If applicable, remove the front cover.

Removing the disk drive

1. Unlock the disk drive handle by squeezing it and pulling it out toward you.

Attention:

- Attach a wrist strap to an unpainted metal surface of your hardware to prevent electrostatic discharge (ESD) from damaging your hardware.
- When using a wrist strap, follow all electrical safety procedures. A wrist strap is for static control. It does not increase or decrease your risk of receiving electric shock when using or working on electrical equipment.
- If you do not have a wrist strap, just prior to removing the product from ESD packaging and installing or replacing hardware, touch an unpainted metal surface of the system for a minimum of 5 seconds.



IPHAL504-0

Figure 31. Removing a disk drive

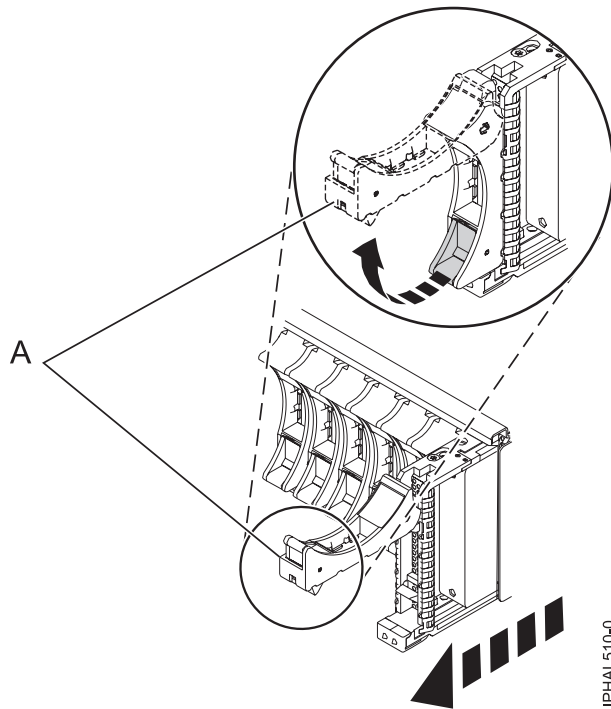


Figure 32. Removing a small-form factor disk drive from the 5803 expansion unit

2. Support the bottom of the disk drive as you slide it out of the system or expansion unit. Do not hold the disk drive by the handle.
3. If a disk drive filler is available, remove the disk drive filler. For instructions, see “Removing a disk drive filler” on page 68.

Refill the disk drive slots with either another disk drive or a disk drive filler. Filling the disk drive slot can help ensure proper airflow for cooling and help maintain optimal Electromagnetic Interference (EMI) compliance.

Completing the procedure:

Install or close the front door of the system, expansion unit, or rack.

Preparing to remove a disk drive or solid-state drive from a system or logical partition controlled by IBM i

Learn the actions you must take to properly remove a disk drive or solid-state drive.

Before removing a drive from a system or expansion unit that is controlled by IBM i, follow these steps:

1. Determine the protection status of the drive that you are replacing. For instructions, see “Determining the IBM i disk drive or solid-state drive protection status” on page 89.
2. **For mirrored disk drives** on an IBM i system or logical partition, follow these steps to verify that the drive you are replacing has been suspended:
 - a. Sign on with service level authority.
 - b. Type `strsst` on the command line of the IBM i session and press Enter.
 - c. Type your service tools user ID and service tools password on the Start Service Tools (STRSST) Sign On display. Press Enter.

Remember: The service tools password is case-sensitive.

- d. Select **Work with disk units** from the System Service Tools (SST) display. Press Enter.
- e. Select **Display Disk Configuration** from the Work with Disk Units display. Press Enter.

- f. Select **Display Disk Configuration Status** from the Display Disk Configuration display. Press Enter.
- g. Does the drive that is mirrored to the drive that you are replacing (same drive number) have a status of Active?
 - **No:** The replacement must be done by a service provider.
 - **Yes:** Does the drive that you are replacing have a status of Suspended?
 - **Yes:** Continue with the next step.
 - **No:** Follow these steps to suspend mirrored protection on the drive that you are replacing:
 - 1) Press F3 from the Display Disk Configuration display to return to the Work with Disk Units display.
 - 2) Select **Work with Disk Unit Recovery** from the Work with Disk Units display. Press Enter.
 - 3) Select **Suspend mirrored protection** from the Work with Disk Unit Recovery display. Press Enter.
 - 4) Select the option to suspend the drive that you are replacing from the Suspend Mirrored Protection display. Press Enter.
- h. Press F3 repeatedly to exit System Service Tools and return to the main menu.

Replacing a disk drive in the 8233-E8B or 8236-E8C

Learn how to replace a small computer system interface (SCSI) or serial-attached SCSI (SAS) disk drive or solid-state drive in the system or expansion unit with the system power turned on or off.

To remove and replace a disk drive or solid-state drive in a different enclosure, use the information for that enclosure.

Use this procedure to remove a failed disk drive or solid-state drive and replace it with the same type of disk drive or solid-state drive. If you plan to remove a disk drive or solid-state drive and install a different type of disk drive or solid-state drive, remove the existing disk drive or solid-state drive.

The system or logical partition can be turned off or turned on when you replace the disk drive or solid-state drive. If the disk drive or solid-state drive that is being replaced is in the AIX, IBM i, or Linux root volume group (rootvg) and does not have disk protection, or if it is a PCI Express (PCIe) RAID adapter with integrated solid-state disk drives, then replace the disk drive or solid-state drive by using the procedure for replacing with the power turned off.

Replacing a disk drive with the AIX system or logical partition power turned on

Learn to replace a failed Small Computer System Interface (SCSI) or serial-attached SCSI (SAS) disk drive in a system or an expansion unit while the power of the AIX operating system or logical partition that controls the disk drive location is turned on.

If you are installing a new or upgraded disk drive, see “Installing a disk drive or solid-state drive with the AIX system or logical partition power turned on” on page 3. If you are replacing a disk drive as part of a service procedure, continue to use the following procedure.

Attention: This procedure is a complex set of steps that must be performed exactly to avoid potential data loss or system damage. Alternatively, you can use the powered-off procedure, which is a simpler task that involves less risk of data loss or system damage. If the system or logical partition that controls the disk drive you are replacing is at the AIX command line, you can use this powered-on procedure. If the disk drive that you are replacing is in the root volume group (rootvg) and it is not protected by either Redundant Array of Independent Disks (RAID) or mirroring, or to use the powered-off procedure, go to Replacing a disk drive with the system or logical partition power turned off.

Note: Some of the figures in these procedures might not look exactly like the system or expansion unit that you have. However, the steps to perform the task are the same.

Preparing the system

1. Complete the prerequisite tasks. For instructions, see “Before you begin” on page 113.
2. Prepare to remove the disk drive from the system or expansion unit as described in “Preparing to remove a disk drive or solid-state drive from a system or an expansion unit controlled by AIX” on page 82.
3. If applicable, remove the system unit door, expansion unit door, or the rack door.
4. If applicable, remove the front cover.

To replace a Just a Bunch of Disks (JBOD) disk drive attached to any SCSI or SCSI RAID adapter, see the procedure in “Replacing a SCSI disk drive” on page 54.

Replacing a disk drive

1. Find the package that contains the new disk drive.
Attention: Disk drives are fragile. Handle with care.
2. Remove the disk drive from its protective package.
3. Unlock the handle of the replacement disk drive by squeezing and pulling it out toward you. If the handle is not all the way out, the disk drive cannot slide into the system.
4. If your new disk drive does not have a bezel preinstalled, then perform the steps in “Installing a disk drive bezel in a disk drive or filler” on page 73. Then, return here and continue with this procedure.
5. Install the disk drive as shown in Figure 33 on page 44.
 - a. Support the bottom of the disk drive as you align it with the guide rails in the system unit. Do not hold the disk drive by the handle.
 - b. Slide the disk drive into the system until it stops.

Important: Ensure that when installing a disk drive, that the drive is fully seated and all the way into the system.

- c. Push the disk drive handle in until it locks.

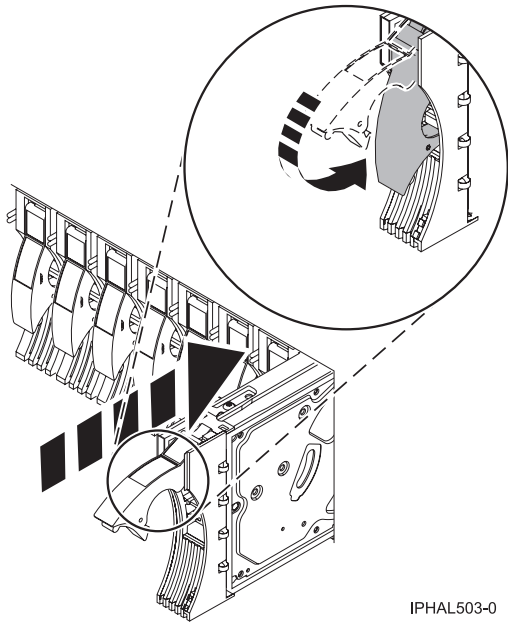


Figure 33. Installing a disk drive in a model

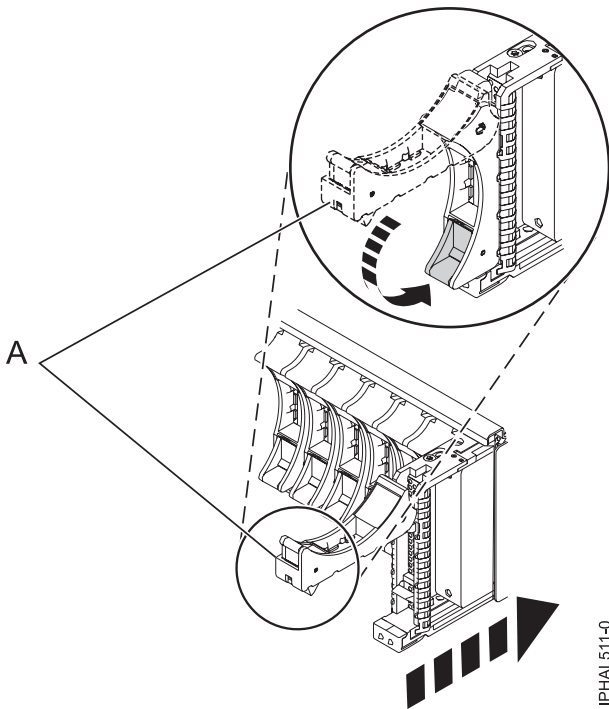


Figure 34. Installing a small-form factor disk drive in the 5803 expansion unit

6. Press Enter. The disk drive slot exits the Remove state and enters the Normal state.
7. Exit to the RAID Hot-Plug Devices menu. Press F3 to return.
8. Exit to the Task selection display.
9. Select **Log Repair Action**.
10. Select the disk drive that you replaced and then press Enter.
11. Select **Commit** after you have made your selection and then press Enter.

12. Exit to the command line.

Completing the procedure

1. Replace the front cover.
2. Install or close the front door of the system, expansion unit, or rack.
3. To configure the newly installed disk drive or solid-state drive, see the following procedures for the applicable operating system that controls the disk drive or solid-state drive:
 - “Preparing a disk drive or solid-state drive for use in an AIX system or logical partition” on page 82.
 - “Configuring a disk drive or solid-state drive in an IBM i system or logical partition” on page 90.

Note: There is no equivalent procedure for a system or logical partition that is running the Linux operating system.

4. To rebuild the data on the replacement disk drive or solid-state drive, see the following procedures for the applicable operating system that controls the disk drive or solid-state drive:
 - “Rebuilding data on a replacement disk drive or solid-state drive by using AIX” on page 83.
 - “Rebuilding data on a replacement disk drive or solid-state drive by using IBM i” on page 92.
 - “Rebuilding data on a replacement disk drive or solid-state drive in a system or logical partition running Linux” on page 86.

Replacing a disk drive with the Linux system or logical partition power turned on

Learn to replace a Small Computer System Interface (SCSI) or serial-attached SCSI (SAS) disk drive in a system or expansion unit while the power of the Linux operating system or logical partition that controls the disk drive location is turned on.

If you are installing a new or upgraded disk drive, see “Installing a disk drive or solid-state drive with the Linux system or logical partition power turned on” on page 9. If you are removing a disk drive as part of a service procedure, continue to use the following procedure.

Attention: Read these instructions carefully and understand the complexity of the powered-on procedure before you begin. If the system or logical partition that controls the disk drive you are replacing is at the Linux command line, you can use this powered-on procedure.

Go to “Replacing a disk drive with the system or logical partition power turned off” on page 55, if:

- You are installing a disk drive that is to be connected with the 6203 or 6204 SCSI adapter.
- You do not feel comfortable using the powered-on procedure.

Note: Some of the figures in these procedures might not look exactly like the system or expansion unit that you have. However, the steps to perform the task are the same.

Preparing the system

1. Complete the prerequisite tasks. For instructions, see “Before you begin” on page 113.
2. Is the disk drive you are replacing in a redundant array of independent disk (RAID) 0 array or is the disk drive you are replacing in a failed RAID level 5 or 10 array?
 - If yes, you must delete the disk array before replacing the disk. For instructions, see *PCI-X SCSI RAID Controller Reference Guide for Linux*.
This guide is available from the SCSI PCI Adapters web page.
 - If no, your drive is configured as Just a Bunch of Disks (JBOD) or is configured within a degraded array. Proceed to the next step.

3. If the disk drive you are replacing is in a redundant array of independent disk (RAID) Level 0 disk array or in a failed RAID Level 5 or RAID Level 10 disk array, you must delete the disk array before replacing the disk. For instructions, see the *PCI-X SCSI RAID Controller Reference Guide for Linux*. This guide is available from the SCSI PCI Adapters web page.
4. If applicable, remove the system unit door or expansion unit door or open the rack front door.
5. If applicable, remove the front cover.
 - If you have a front cover from any other models, remove the front cover.

Replace the disk drive by using the Linux kernel 2.6.

Replacing the disk drive using Linux

Learn how to replace a disk drive in a location that is controlled by a system or logical partition that is running the Linux operating system.

Replacing the disk drive:

You must have removed the disk drive before you replace it. For the removal procedure, see “Removing a disk drive with the Linux system or logical partition power turned on” on page 31.

1. Find the package that contains the new disk drive.
 - Attention:** Disk drives are fragile. Handle them with care.
2. Remove the disk drive from its protective package.
3. Unlock the disk drive handle by squeezing and pulling it out toward you before you install the disk drive. If the handle is not all the way out, the disk drive does not slide into the system or expansion unit.
4. If your replacement disk drive does not have a bezel preinstalled, then install a bezel in the disk drive. For instructions, see “Installing a disk drive bezel in a disk drive or filler” on page 73. Then, return here and continue with this procedure.
5. From the IBM Power RAID Configuration Utility display, select **Work with disk unit recovery**. Press Enter.
6. From the Work with Disk Unit Recovery display, select **Concurrent add device**. Press Enter. A Concurrent Device Add display like the following sample is shown.

```

Concurrent Device Add

Choose a single location for add operations

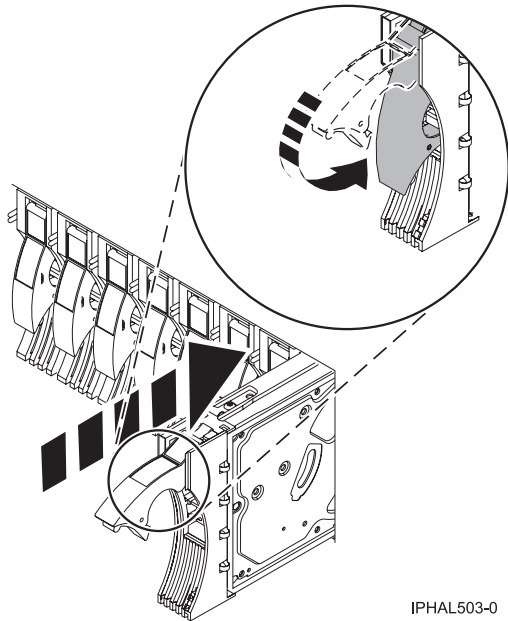
1=Select

OPT Name   PCI/SCSI Location   Description   Status
-----
          0000:41:01.0.1/0:5:   Empty
          0000:41:01.0.1/1:8:   Empty
          0001:61:01.0.2/0:8:   Empty
  
```

Figure 35. Example Concurrent Device Add display

7. Type option1 (Select) next to the location from which you removed the disk drive. The Verify Device Concurrent Add display is shown.

8. Press Enter on the Verify Device Concurrent Add display. The Complete Device Concurrent Add display is shown.
9. Support the bottom of the disk drive as you align it with the guide rails in the system or expansion unit. Do not hold the disk drive by the handle.
10. Slide the disk drive all the way into the system or expansion unit and then lock it in place by pushing in the disk drive handle, as shown in Figure 36.



IPHAL503-0

Figure 36. Installing a disk drive in a model or 7311-D20

11. Press Enter on the Complete Device Concurrent Add display to indicate that the disk drive is installed.

Completing the procedure:

1. Replace the front cover.
2. Install or close the system, expansion unit, or rack front door.
3. Verify the installed part:
 - If you replaced the part because of a failure, verify the installed part. For instructions, see “Verifying a repair” on page 145.
 - If you installed the part for any other reason, verify the installed part. For instructions, see “Verifying the installed part” on page 134.
4. To rebuild data on the newly installed or replaced disk drive or solid-state drive, see “Rebuilding data on a replacement disk drive or solid-state drive in a system or logical partition running Linux” on page 86.

Replacing a disk drive with the IBM i system or logical partition power turned on

Learn how to replace a Small Computer System Interface (SCSI) or serial-attached SCSI (SAS) disk drive in a system or expansion unit while the power of the IBM i operating system or logical partition that controls the disk drive location is turned on.

You must have removed the failed disk drive before you attempt to replace it. For the procedure to remove a disk drive in the IBM i, see “Removing a disk drive from a system or expansion unit controlled by IBM i” on page 38. If you are installing a new or upgraded disk drive, see “Installing a disk drive or

solid-state drive with the IBM i system or logical partition power turned on” on page 20. If you are removing a disk drive as part of a service procedure, continue to use the following procedure.

Attention: This procedure is a complex set of steps that must be performed exactly to avoid potential data loss or system damage. Alternatively, you can use the powered-off procedure, which is a simpler task that involves less risk of data loss or system damage. For instructions, see “Replacing a disk drive with the system or logical partition power turned off” on page 55.

Note: Some of the figures in these procedures might not look exactly like the system or expansion unit that you have. However, the steps to perform the task are the same.

Preparing the system

1. Complete the prerequisite tasks. For instructions, see “Before you begin” on page 113.
2. If applicable, remove the system unit door, expansion unit door, or the rack door.
3. If applicable, remove the front cover.

Replacing the disk drive

1. Return to the Hardware Service Manager (HSM) console and wait until the Concurrent Maintenance Results display is shown.
Press F12.
2. The physical locations you entered while removing the disk drive might still show on the display. If not, retype the physical location where you want to install the new disk drive.
In the example, U787A.001.1234567-P3-D4, you would install a disk drive in the system unit with type 9406, Model 520, sequence number 1234567, and disk drive position P3-D4.
In the example, U5074.001.1234567-DB3-D32, you would install a disk drive in the expansion unit with type 5074, model 001, sequence number 1234567, and disk drive position DB3-D32.
3. Select option 2 (Install device) for the Action to be performed.
4. Set the time delay for one minute:01.

Important: Do not press Enter at this time.

5. Locate the service indicator that corresponds to the position of the disk drive that you are replacing.
6. Find the package that contains the new disk drive.
Attention: Disk drives are fragile. Handle with care.
7. Remove the disk drive from its protective package.
8. Unlock the disk drive handle by squeezing and pulling it out toward you before you install the disk drive. If the handle is not all the way out, the disk drive cannot slide into the system or expansion unit. See Figure 37 on page 49.
9. Support the bottom of the disk drive as you align it with the guide rails in the system or expansion unit. Do not hold the disk drive by the handle.
10. Slide the disk drive halfway into the system or expansion unit.
11. Press Enter on the console.

Important: When you press Enter, after a one minute delay, this light comes on for 18 seconds. You then have nine seconds to slide the disk drive all the way in and then lock it in place by pushing in the disk drive handle.

12. Slide the disk drive all the way in. Then, lock the disk drive in place by pushing in the disk drive handle, as shown in the following figure.

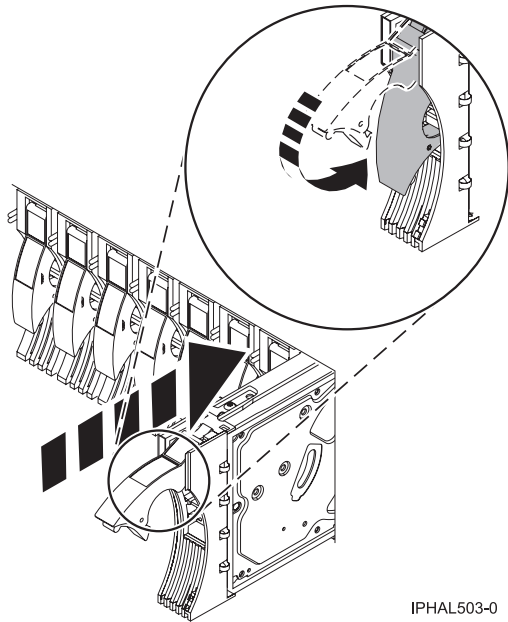


Figure 37. Installing a disk drive

Completing the procedure

1. Replace the front cover.
2. Install or close the system, expansion unit, or rack front door.
3. Return to the HSM console and wait until the Concurrent Maintenance Results display is shown. Press Enter.
4. If you return to the Service Action Log display, exit the service action log.
5. When the HSM display is shown, press F3.
6. To configure the newly installed disk drive or solid-state drive, see the following procedures for the applicable operating system that controls the disk drive or solid-state drive:
 - “Preparing a disk drive or solid-state drive for use in an AIX system or logical partition” on page 82.
 - “Configuring a disk drive or solid-state drive in an IBM i system or logical partition” on page 90.

Note: There is no equivalent procedure for a system or logical partition that is running the Linux operating system.

7. To rebuild the data on the replacement disk drive or solid-state drive, see “Rebuilding data on a replacement disk drive or solid-state drive by using IBM i” on page 92.

Replacing a disk drive using the hot-spare function in an IBM i system or logical partition

You can use the hot-spare function to replace a disk drive in a system or expansion unit while the IBM i operating system or logical partition that controls the disk drive location is powered on.

You must have removed the failed disk drive before you attempt to replace it. For the procedure to remove a disk drive in the IBM i, see “Removing a disk drive from a system or expansion unit controlled by IBM i” on page 38. If you are installing a new or upgraded disk drive, see “Installing a disk drive or solid-state drive with the IBM i system or logical partition power turned on” on page 20.

Attention: This procedure is a complex set of steps that must be performed exactly to avoid potential data loss or system damage. Alternatively, you can use the powered-off procedure, which is a simpler task that involves less risk of data loss or system damage. For instructions, see “Replacing a disk drive with the system or logical partition power turned off” on page 55.

Note: Some of the figures in these procedures might not look exactly like the system or expansion unit that you have. However, the steps to complete the task are the same.

If you are removing a disk drive as part of a service procedure, continue to use the following procedure.

Preparing the system

1. Complete the prerequisite tasks. For instructions, see “Before you begin” on page 113.
2. Remove the front cover and door, if you need to, to access the disk drives. For instructions on removing the cover, see Removing and replacing covers and doors.
3. Locate the disk drive to be replaced and record the location information, then use the location information to activate the identify light for that disk drive. For instructions, see Identifying a failing part in an IBM i system or logical partition

Preparing to replace the disk drive

1. Continue with the replacing of the disk drive after you have removed the disk drive.
2. Return to the console and wait until the Concurrent Maintenance Results display is shown.
3. Press F12.
4. The physical locations you entered during the removal procedure might still appear on the display. If not, retype the physical location where you will be installing the new disk drive.
In the example, U787A.001.1234567-P3-D4, you would install a disk drive in the system unit with type 9406, Model 520, sequence number 1234567, and disk drive position P3-D4.
In the example, U5074.001.1234567-DB3-D32, you would install a disk drive in the expansion unit with type 5074, model 001, sequence number 1234567, and disk drive position DB3-D32.
5. Select option 2 (Install device) for the Action to be performed.
6. Set the time delay for one minute:01.

Important: Do not press Enter at this time.

Replacing the disk drive

1. Return to the console and wait until the Concurrent Maintenance Results display is shown.
Press F12.
2. The physical locations you entered during the removal procedure might still appear on the display. If not, retype the physical location where you will be installing the new disk drive.
In the example, U787A.001.1234567-P3-D4, you would install a disk drive in the system unit with type 9406, Model 520, sequence number 1234567, and disk drive position P3-D4.
In the example, U5074.001.1234567-DB3-D32, you would install a disk drive in the expansion unit with type 5074, model 001, sequence number 1234567, and disk drive position DB3-D32.
3. Select option 2 (Install device) for the Action to be performed.
4. Set the time delay for one minute:01.

Important: Do not press Enter at this time.

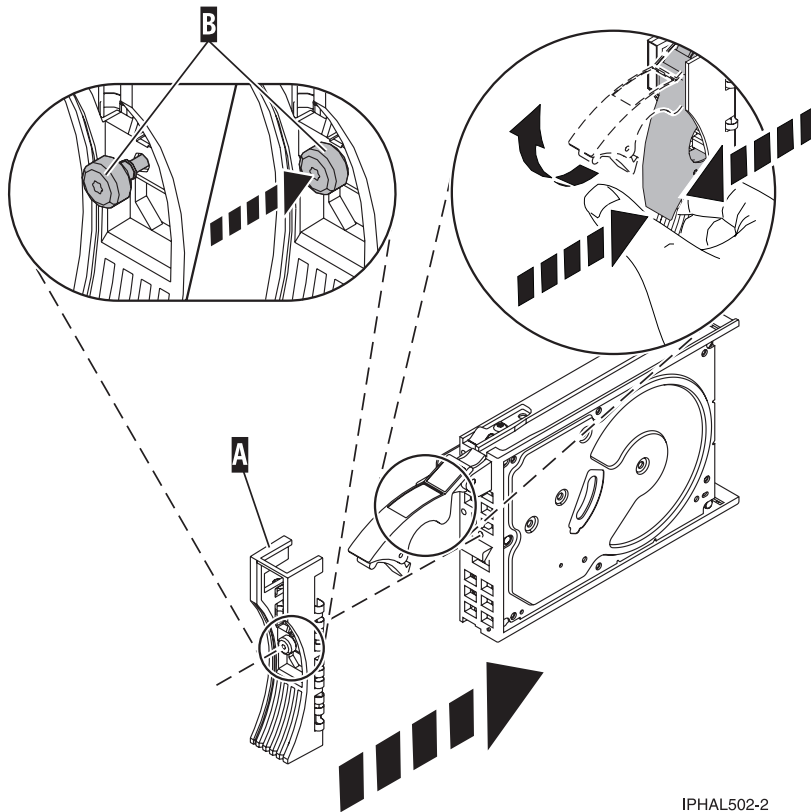
5. Locate the service indicator that corresponds to the position of the disk drive that you are replacing.

Important: When you press Enter, after a one minute delay, this light comes on and begins to blink rapidly. You then have nine seconds to slide the disk drive all the way in and then lock it in place by pushing in the disk drive handle.

6. Find the package that contains the new disk drive.

Attention: Disk drives are fragile. Handle with care.

7. Remove the disk drive from its protective package.
8. Unlock the disk drive handle by squeezing and pulling it out toward you before you install the disk drive. If the handle is not all the way out, the disk drive can not slide into the system or expansion unit.
9. Follow these steps to install the disk-drive bezel on the replacement disk drive:
 - a. Attach the bezel **A** to the disk drive, as shown in the following figure.
 - b. Press in and then tighten the thumbscrew **B** to secure the bezel to the disk drive.



IPHAL502-2

Figure 38. Installing a disk-drive bezel

10. Support the bottom of the disk drive as you align it with the guide rails in the system or expansion unit. Do not hold the disk drive by the handle.
11. Slide the disk drive halfway into the system or expansion unit.
12. Press Enter on the console.
13. When the light starts blinking, slide the disk drive all the way in. Then, lock the disk drive in place by pushing in the disk drive handle, as shown in the following figure.

Note: The light stops blinking and remains on when you have installed the disk drive properly.

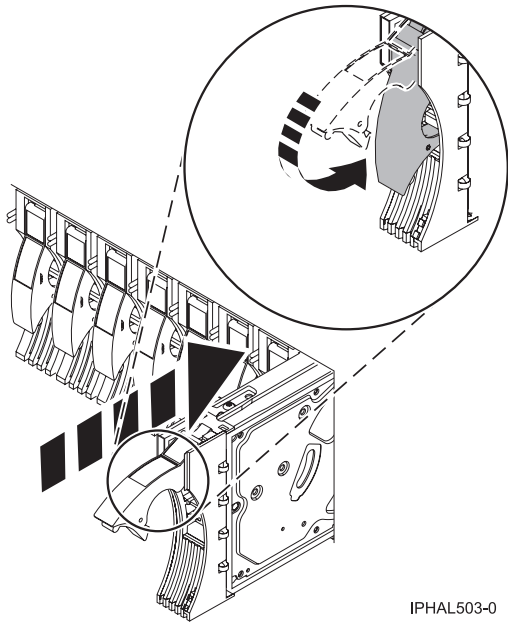


Figure 39. Installing a disk drive

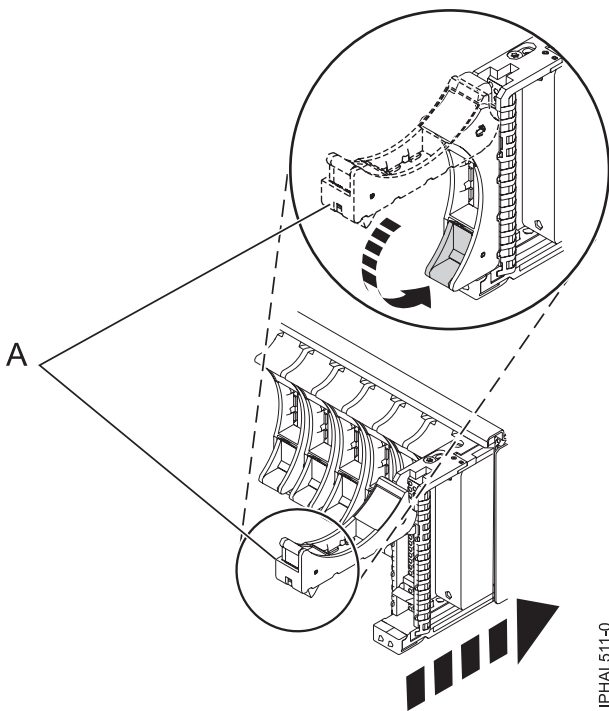


Figure 40. Installing a small-form factor disk drive in the 5803 expansion unit

Completing the procedure using the HSM

1. Return to the console and wait until the Concurrent Maintenance Results display is shown, and press Enter if you used the concurrent maintenance process above, otherwise continue with the next step.
2. If you return to the Hardware Service Manager (HSM), exit the HSM.
3. Select **Work with disk units** from the Start System Service Tools display.

4. Select **Non-configured disk units** from the Work with Disk Units display, and press Enter.
5. Is the new disk unit displayed with a status of non-configured?

Note: It may take several minutes for the new disk drive to display.

- No: Contact your next level of support.
- Yes: Continue with the next step.

6. Press **F3** to return to the Work with Disk Units display.
7. Select **Work with disk unit recovery** from the Work with Disk Units display, and press Enter.
8. Select **Disk unit problem recovery procedure**, and press Enter.
9. Select **Initialize and format disk unit**, and press Enter.
10. Select the new disk and press Enter.

Note: This will take several minutes to complete.

11. When the disk drive is initialized and formatted, press **F3** to return to the Work with Disk Units display.
12. Select **Start hot spare**, and press Enter.
13. Select the IOA with the new disk, then press Enter and press Enter again.
14. Does the new hot-spare disk drive have a smaller capacity than previous hot-spare disk drive? Refer to the resource name identified in the xxxx9031 error which was logged close to the same time of the original disk failure.
 - No: The procedure is complete. Press **F3** to return to the System service tools display.
 - Yes: Go to the next step.
15. Select **Display Device Parity Status**, and press Enter. If the new disk drive is not active and hot-spare protected, do not continue. Call your next level of support.

Restriction: You must complete the following steps to ensure your data is protected. The following steps will allow you to exchange the two disk drives so that the larger disk drive will become the hot-spare, and the smaller disk drive will become a parity set member.

16. Fail the previous hot-spare disk drive by unlocking the disk drive handle by squeezing it and pulling it out toward you.
17. Pull the drive out about one inch and wait ten seconds.
18. Push the disk drive back into the slot and close the handle.
19. Return to step 1 on page 52 and start the hot spare procedure on the larger drive.

Completing the procedure

1. Replace the front cover.
2. Install or close the system, expansion unit, or rack front door.
3. Return to the HSM console and wait until the Concurrent Maintenance Results display is shown. Press Enter.
4. If you return to the Service Action Log display, exit the service action log.
5. When the HSM display is shown, press **F3**.
6. To configure the newly installed disk drive or solid-state drive, see the following procedures for the applicable operating system that controls the disk drive or solid-state drive:
 - “Preparing a disk drive or solid-state drive for use in an AIX system or logical partition” on page 82.
 - “Configuring a disk drive or solid-state drive in an IBM i system or logical partition” on page 90.

Note: There is no equivalent procedure for a system or logical partition that is running the Linux operating system.

7. To rebuild the data on the replacement disk drive or solid-state drive, see “Rebuilding data on a replacement disk drive or solid-state drive by using IBM i” on page 92.

Replacing a SCSI disk drive

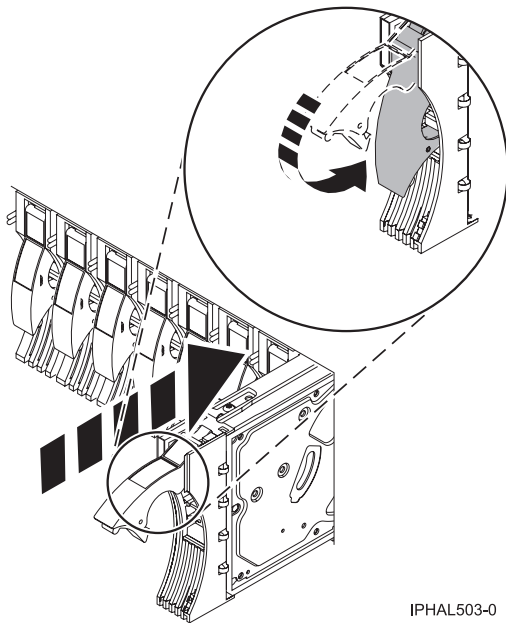
Learn how to replace a Small Computer System Interface (SCSI) disk drive in a system or expansion unit.

Replacing the disk drive

1. Find the package that contains the new disk drive.
Attention: Disk drives are fragile. Handle with care.
2. Remove the disk drive from its protective package.
3. Unlock the handle of the replacement disk drive by squeezing and pulling it out toward you. If the handle is not all the way out, the disk drive cannot slide into the system.
4. Support the bottom of the disk drive as you align it with the guide rails in the system unit. Do not hold the disk drive by the handle.
5. Slide the disk drive into the system until it stops.

Note: It is important to ensure that when installing a disk drive, that the drive is fully seated and all the way into the system.

6. Push the disk drive handle in until it locks, as shown in Figure 41.



IPHAL503-0

Figure 41. Installing a disk drive in a model a model or 7311-D20

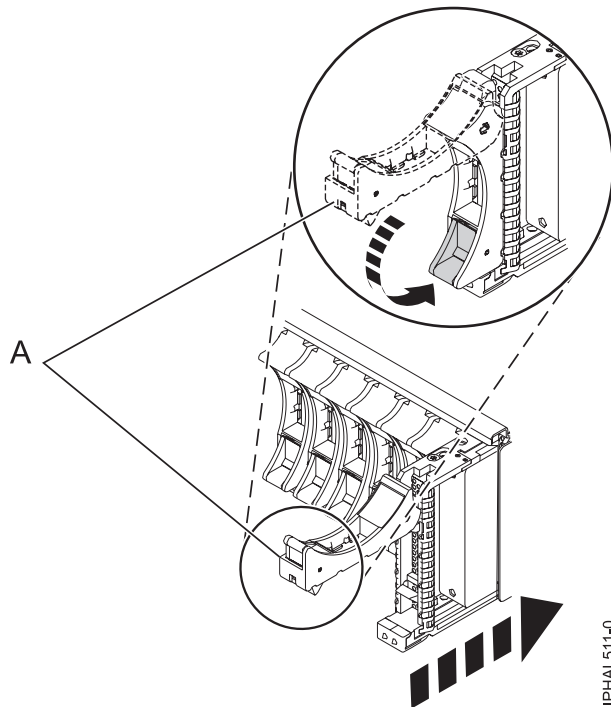


Figure 42. Installing a small-form factor disk drive in the 5803 expansion unit

7. Press Enter.
8. Exit to the SCSI and SCSI RAID Hot-Plug Manager menu.
9. Select **Configure Added/Replaced Devices**. Press Enter.
10. Select the disk drive that you replaced and then press Enter.
The disk drive is now configured.
11. Exit to the Task Selection display.
12. Select **Log Repair Action**.
13. Select the disk drive that you replaced and then press Enter.
14. Select **Commit** after you have made your selection and then press Enter.
15. Exit to the command line.

Completing the procedure

1. Replace the front cover.
2. Install or close the system, expansion unit, or rack front door.
3. Verify the installed part:
 - If you replaced the part because of a failure, verify the installed part. For instructions, see “Verifying a repair” on page 145.
 - If you installed the part for any other reason, verify the installed part. For instructions, see “Verifying the installed part” on page 134.
4. To rebuild the data on the replacement disk drive or solid-state drive, see “Rebuilding data on a replacement disk drive or solid-state drive by using AIX” on page 83.

Replacing a disk drive with the system or logical partition power turned off

Learn to install a failed Small Computer System Interface (SCSI) or serial-attached SCSI (SAS) disk drive in a system or logical partition that controls the disk drive location with the power turned off.

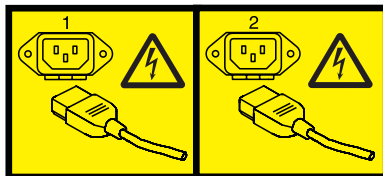
If you are installing a new or upgraded disk drive, see “Installing a disk drive or solid-state drive with the system or logical partition power turned off” on page 25. If you are removing a disk drive as part of a service procedure, continue to use the following procedure.

Preparing the system

1. Complete the prerequisite tasks. For instructions, see “Before you begin” on page 113.
2. If you cannot start the system or logical partition that controls the disk drive location, or if the system or logical partition are not powered on, go to step 6.
3. Identify the disk drive to be replaced and record the location information. For information, see “Identifying a part” on page 115.
4. Prepare to remove the disk drive from the system or expansion unit as follows:
 - If the system or logical partition that controls the disk drive location is running AIX, follow the steps in “Preparing to remove a disk drive or solid-state drive from a system or an expansion unit controlled by AIX” on page 82.
 - If the system or logical partition that controls the disk drive location is running IBM i, follow the steps in “Preparing to remove a disk drive or solid-state drive from a system or logical partition controlled by IBM i” on page 41.
 - If the system or logical partition that controls the disk drive location is running Linux and the disk drive you want to replace is unprotected or in use, move the data from the disk drive before continuing with this procedure. For information, see the *PCI-X SCSI RAID Controller Reference Guide for Linux*.
This guide is available from the SCSI PCI Adapters web page.
5. Stop the system or logical partition. For instructions, see “Stopping a system or logical partition” on page 123.
6. If you stopped the logical partition, do not disconnect the power source. If you stopped the system, disconnect the power source from the system by unplugging the system.

Note: This system might be equipped with a second power supply. Before continuing with this procedure, ensure that all power sources to the system have been completely disconnected.

(L003)



or



7. Remove the system unit door or expansion unit door or open the rack front door.
8. Remove the front cover.

Replacing the disk drive

1. Find the package that contains the new disk drive.
Attention: Disk drives are fragile. Handle with care.
2. Remove the disk drive from its protective package.
3. Unlock the disk drive handle by squeezing and pulling it out toward you before you install the disk drive. If the handle is not all the way out, the disk drive does not slide into the system or the expansion unit.
4. If your replacement disk drive does not have a bezel preinstalled, then follow the steps in “Installing a disk drive bezel in a disk drive or filler” on page 73 to install the disk drive bezel. Then, return here and continue with this procedure.
5. Support the bottom of the disk drive as you align it with the guide rails in the system or expansion unit. Do not hold the disk drive by the handle.
6. Slide the disk drive into the system or expansion unit until it stops.

Note: It is important to ensure that when installing a disk drive, that the drive is fully seated and all the way into the system.

7. Push the disk drive handle in until it locks, as shown in Figure 43 on page 58.

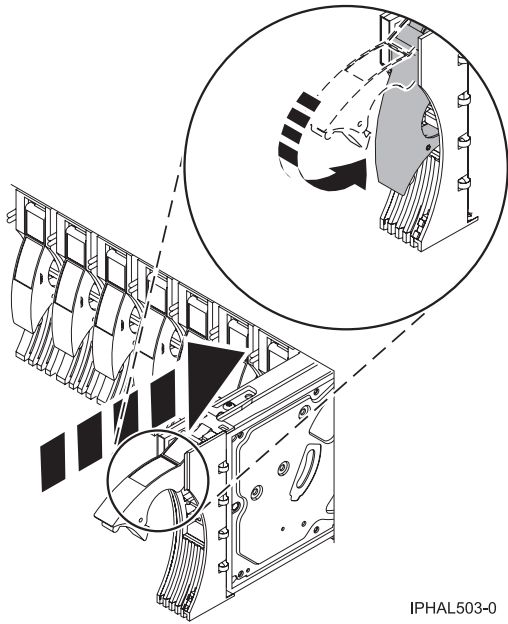


Figure 43. Installing a disk drive in a model

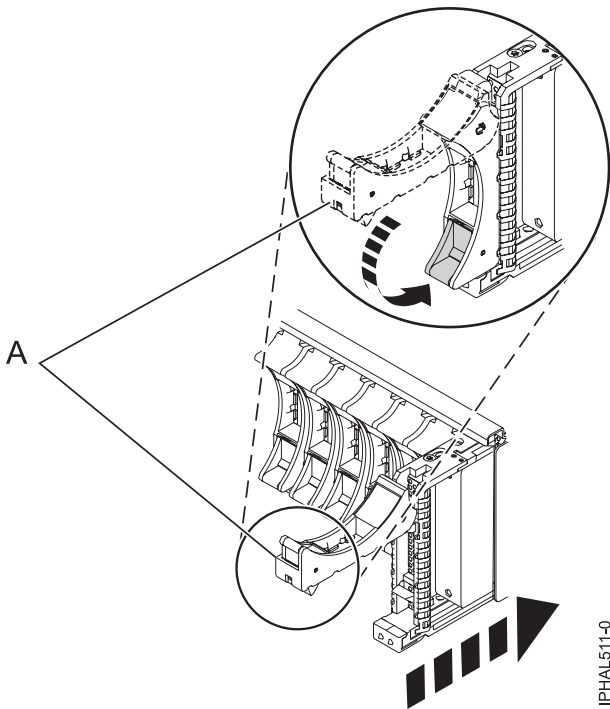


Figure 44. Installing a small-form factor disk drive in the 5803 expansion unit

Completing the procedure

1. Replace the front cover.
2. Install or close the system, expansion unit, or rack front door.
3. Reconnect all system power cables.
4. Reconnect the system to the power supply by plugging it in.

5. Start the system or logical partition. For instructions, see “Starting the system or logical partition” on page 121.
6. To configure the newly installed disk drive or solid-state drive, see the following procedures for the applicable operating system that controls the disk drive or solid-state drive:
 - “Preparing a disk drive or solid-state drive for use in an AIX system or logical partition” on page 82.
 - “Configuring a disk drive or solid-state drive in an IBM i system or logical partition” on page 90.

Note: There is no equivalent procedure for a system or logical partition that is running the Linux operating system.

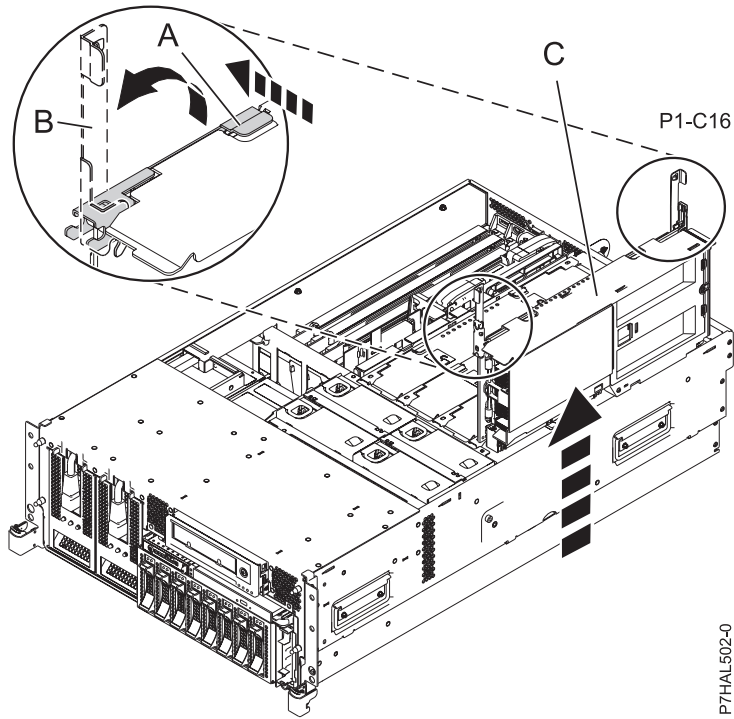
7. To rebuild the data on the replacement disk drive or solid-state drive, see the following procedures for the applicable operating system that controls the disk drive or solid-state drive:
 - “Rebuilding data on a replacement disk drive or solid-state drive by using AIX” on page 83.
 - “Rebuilding data on a replacement disk drive or solid-state drive by using IBM i” on page 92.
 - “Rebuilding data on a replacement disk drive or solid-state drive in a system or logical partition running Linux” on page 86.

Installing the external SAS port in the 8233-E8B or 8236-E8C

Learn how to install an external SAS port as a part of upgrading your disk-drive backplane, or to enable internal disk sharing.

1. Complete the prerequisite tasks. For instructions, see “Before you begin” on page 113.
2. Stop the system or logical partition. For instructions, see “Stopping a system or logical partition” on page 123.
3. Place the system into the service position. For instructions, see “Placing the 8233-E8B or 8236-E8C in the service position” on page 129.
4. Remove the service access cover. For instructions, see “Removing and replacing covers for the 8233-E8B or 8236-E8C system” on page 125.
5. Remove the system processor assembly or filler in position P1-C16 by lifting the handle (A) and lifting the assembly out of the system, as shown in the following figure.

Note: You must remove only the assembly or filler in P1-C16. To remove a filler, grasp the filler in the center and lift the filler out of the system.



P7HAL502-0

6. Remove the fans and fan cage from the system by doing the following steps:
 - a. To remove the fans, squeeze the tab (A) and lift the fan out of the fan cage as shown in the following figure.

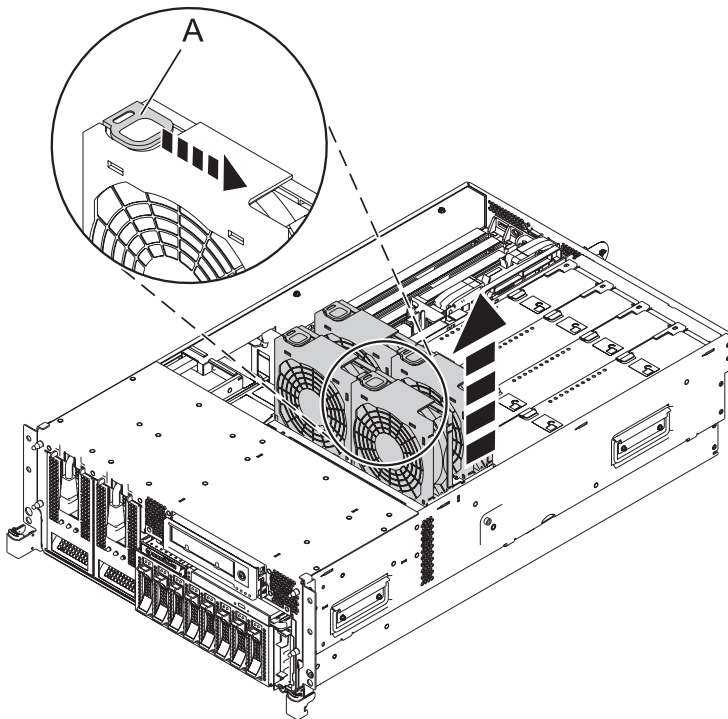


Figure 45. Removing the fan from the 8233-E8B or 8236-E8C fan cage

- b. To remove the air baffles, grasp and pull the air baffle out of the fan cage, as shown in the following figure.

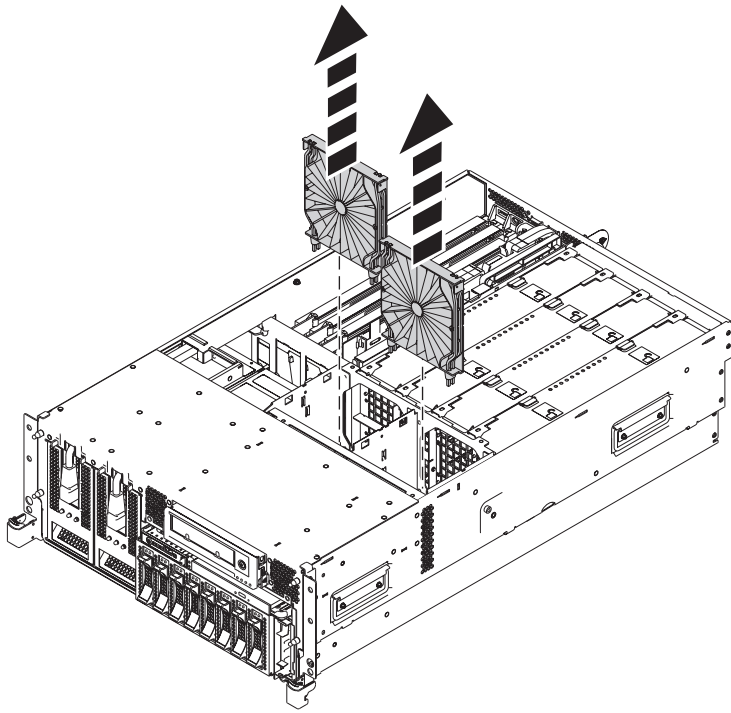


Figure 46. Removing the air baffles from the 8233-E8B or 8236-E8C fan cage

- c. To remove the fan cage, loosen the two thumbscrews **(A)** and lift the fan cage **(B)** out of the system as shown in the following figure.

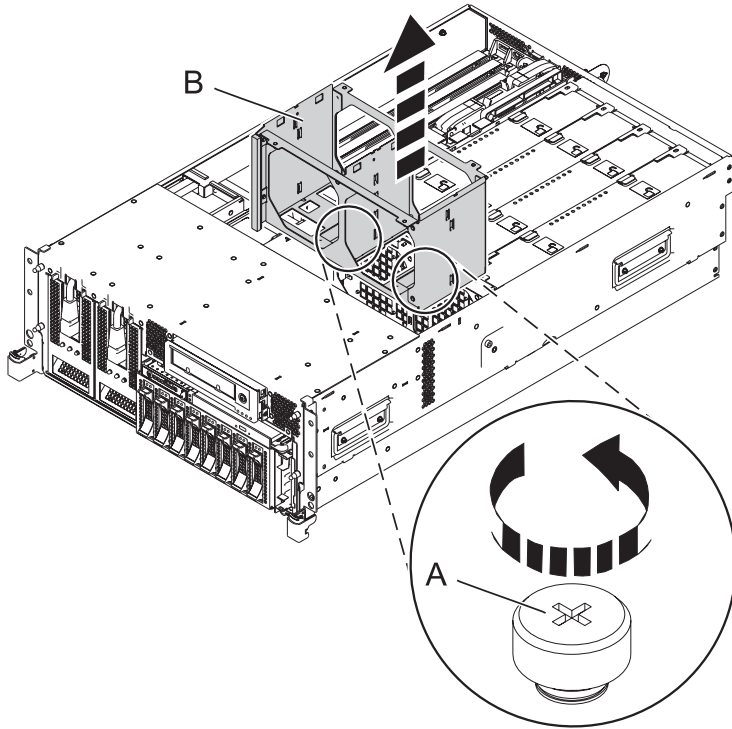


Figure 47. Removing the fan cage from the 8233-E8B or 8236-E8C system

7. Slide the front of the cable, with the male connector, through the opening between the processor cage and the side of the system.

Tip: See Figure 48 on page 63 to complete the next few steps.

8. Insert the pins (A) on the side of the system into the slots (B) on the SAS cable assembly.
9. Slide the cable assembly rear until the pins (A) are seated and the latch (C) snaps in place.

Tip: The port on the rear of the cable assembly should be seated in the slot at the rear of the system.

10. Attach the cable bracket (H) by placing the notch on the bracket over the post on the side of the system, aligning the screw hole (I) with the hole on the side of the system, and securing the cable bracket with the screw.

Note: The bracket should fit snugly over the SAS cable assembly.

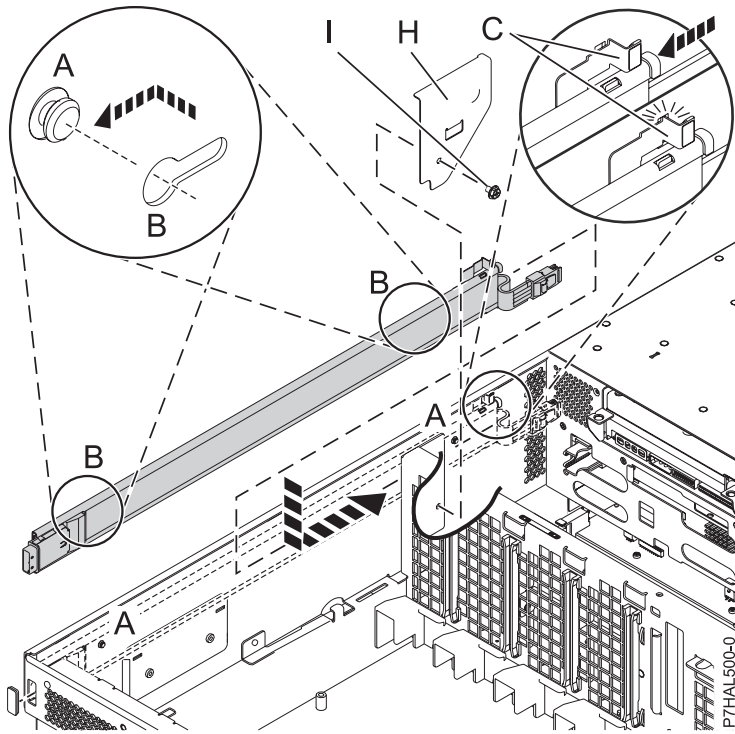


Figure 48. Attaching the SAS cable

11. Depending on the disk-drive backplane you have, complete one of the following choices:

Tip: See Figure 49 on page 64 to complete this step.

- If you can see the SAS connection in the center of the disk-drive backplane (D), attach the cable to the connection and continue to step 12 on page 64.
- If you can see the SAS cable shroud (E) extending from the disk-drive backplane, continue to step 11a.

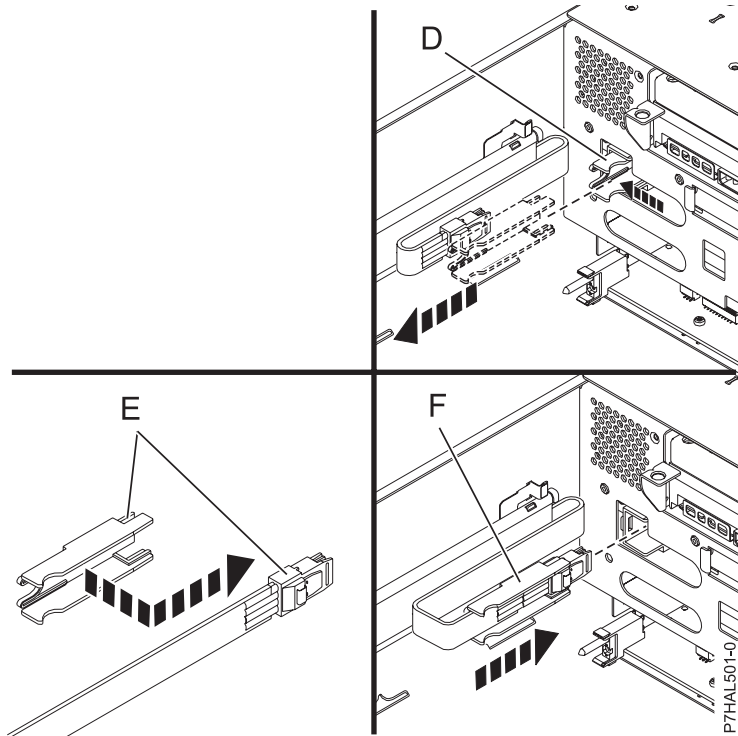


Figure 49. SAS cable connections

- a. Locate the SAS cable shroud (**E**) on the disk-drive backplane and pull the rear of the shroud away from the side of the system to unseat the shroud.
 - b. Pull the shroud out of the SAS port.
 - c. Attach the shroud to the male SAS connector (**F**) on the cable assembly by sliding the shroud over the top of the cable connector (**F**) from behind. The SAS connector on the cable should fit into the two slots at the front of the shroud, and the connector should extend away from the shroud so it can be seated in the port.
 - d. Slide the cable and shroud (**G**) into the SAS port until it is firmly seated in place.
12. Replace the fans and the fan cage, by doing the following steps:
- a. To install the fan cage (**A**) into the system, align the locator pins through the holes, and tighten the two thumbscrews (**B**), as shown in the following figure.

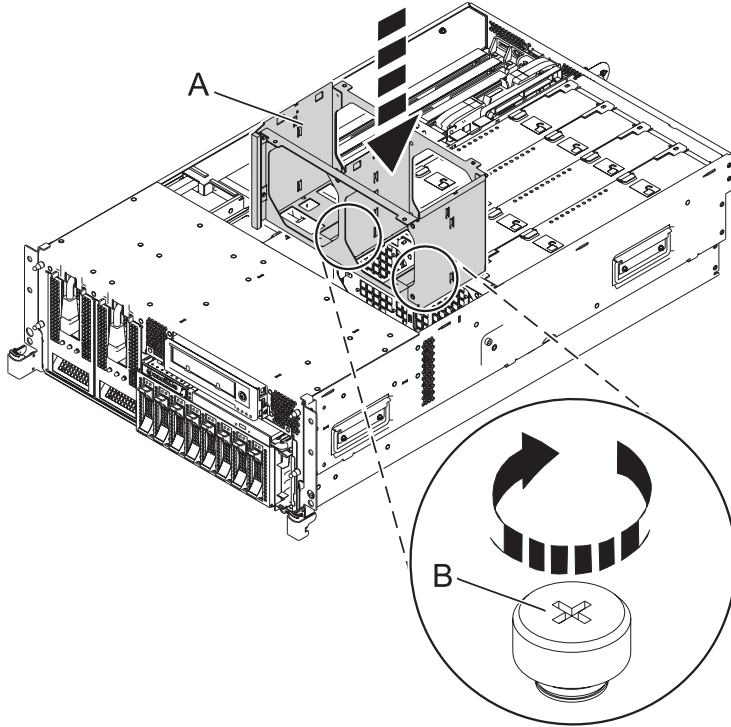


Figure 50. Installing the fan cage in the 8233-E8B or 8236-E8C system

- b. To install the air baffles, insert the air baffles into their location in the fan cage, and push down until they lock into place, as shown in the following figure.

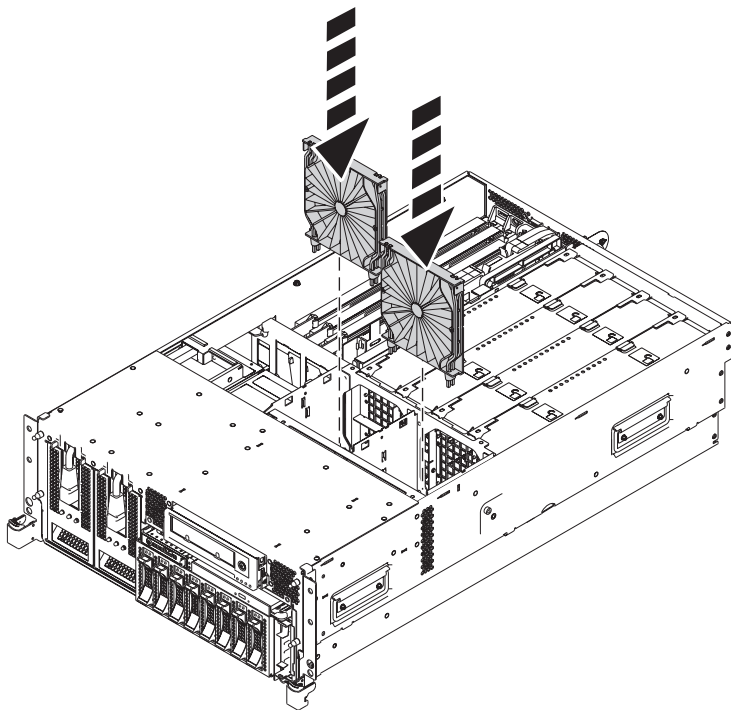


Figure 51. Installing the air baffles in the 8233-E8B or 8236-E8C fan cage

- c. To install the fans, insert the fans into their location in the fan cage, and push down on the fan until it locks into place, as shown in the following figure.

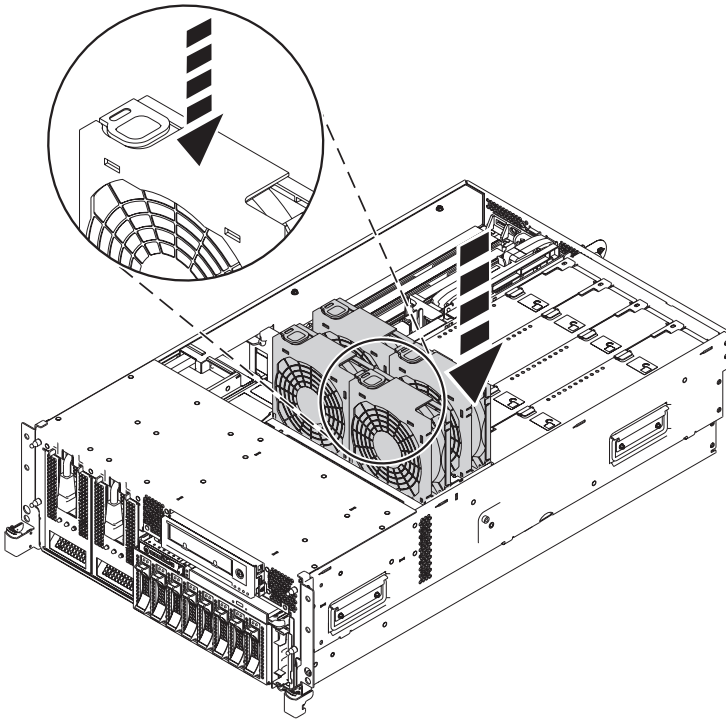
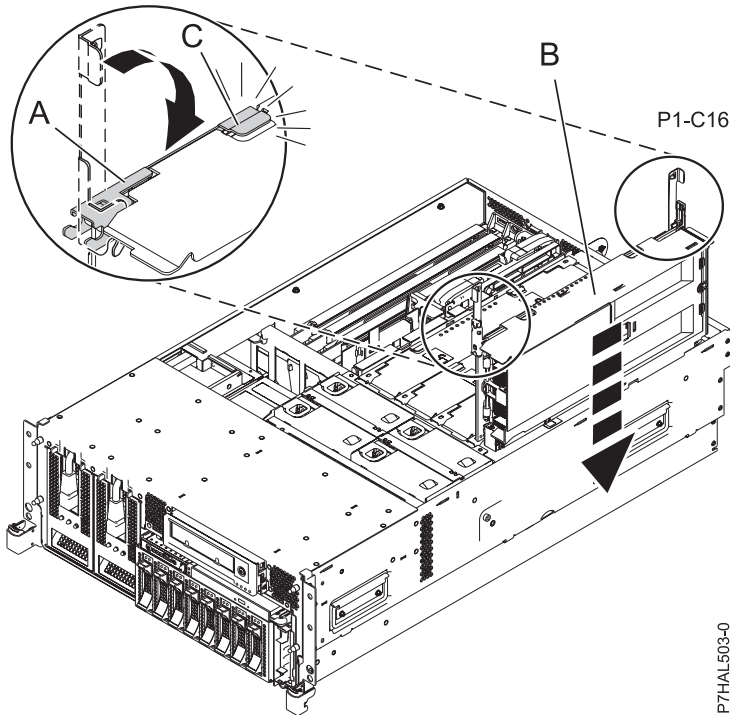


Figure 52. Installing the fans in the 8233-E8B or 8236-E8C fan cage

13. Install the system processor (B) and secure both latches (C), as shown in the following figure.



14. Replace the service access cover. For instructions, see “Installing the service access cover on an 8233-E8B or 8236-E8C system” on page 128.

15. Place the system back into the operating position. For instructions, see “Placing the 8233-E8B or 8236-E8C in the operating position” on page 132.
16. Verify the installed part:
 - If you replaced the part because of a failure, verify the installed part. For instructions, see “Verifying a repair” on page 145.
 - If you installed the part for any other reason, verify the installed part. For instructions, see “Verifying the installed part” on page 134.
17. Start the system or logical partition. For instructions, see “Starting the system or logical partition” on page 121.
 - You may now attach supported SAS features to your system.
 - Return to the instructions that sent you here.

Internal disk drive or solid-state drive sharing on the 8233-E8B or 8236-E8C

You might need to cable and understand the function of this feature. Use the following information to complete these tasks.

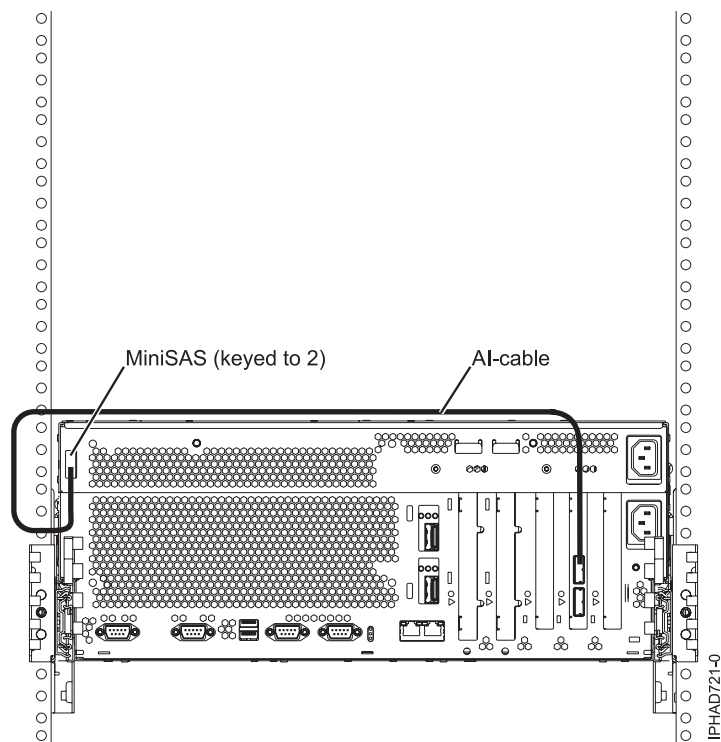
The following information is for use after the adapter is installed. Instal the adapter and then return here. See the PCI adapters topic for more information, PCI adapters.

Note: Internal cable feature code (FC) 3669 for 8233-E8B or 8236-E8C must be installed to enable this configuration. For installation instructions, see “Installing the external SAS port in the 8233-E8B or 8236-E8C” on page 59.

This feature allows you to split the internal disks in the system unit enclosure into groups which you can manage separately.

1. Complete the prerequisite tasks. For instructions, see “Before you begin” on page 113.
2. Stop the system or logical partition. For instructions, see “Stopping a system or logical partition” on page 123.
3. Cable the system by connecting the SAS cable to the adapter and then to the internal SAS connection, as shown in the following graphic.

Important: This configuration is not supported with backplane feature code 8341.



Note: The second connector on the adapter can be used to attach a disk expansion or media expansion drawer.

Figure 53. SAS adapter to internal SAS disk slots through the system external SAS port

4. Start the system or logical partition. For instructions, see “Starting the system or logical partition” on page 121.
5. Verify the installed part:
 - If you replaced the part because of a failure, verify the installed part. For instructions, see “Verifying a repair” on page 145.
 - If you installed the part for any other reason, verify the installed part. For instructions, see “Verifying the installed part” on page 134.

Once you have completed the procedure three of the disks in the system enclosure will be managed by the SAS Storage Controller adapter and three will be managed by the internal system.

Now, you can manage the disks as you would manage any other disks.

Removing or installing a disk drive filler

Learn how to remove or install a Small Computer System Interface (SCSI) disk drive filler from a system or an expansion unit.

Note: Refill the disk drive or solid-state drive slots with either another disk drive or solid-state drive or a disk drive filler. Filling the disk drive slot ensures proper air flow for cooling and maintains an optimal electromagnetic interference (EMI) compliance.

Removing a disk drive filler

Learn how to remove a Small Computer System Interface (SCSI) disk drive filler from the server or expansion unit.

Note: Some of the figures in this procedure might not look exactly like the system or expansion unit that you have. However, the steps to complete the task are the same.

1. Remove the system unit door, expansion unit door, or open the rack front door.
2. Remove the front cover.
3. Identify the disk drive filler you want to remove.
4. Pull the disk drive filler from the slot. Pull the disk drive filler from the slot that you want to use, as shown in Figure 54.

Attention:

- Attach a wrist strap to an unpainted metal surface of your hardware to prevent electrostatic discharge (ESD) from damaging your hardware.
- When using a wrist strap, follow all electrical safety procedures. A wrist strap is for static control. It does not increase or decrease your risk of receiving electric shock when using or working on electrical equipment.
- If you do not have a wrist strap, just prior to removing the product from ESD packaging and installing or replacing hardware, touch an unpainted metal surface of the system for a minimum of 5 seconds.

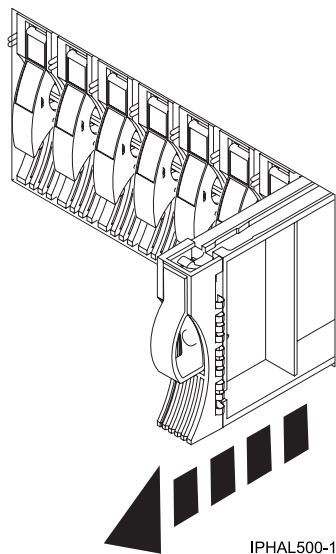
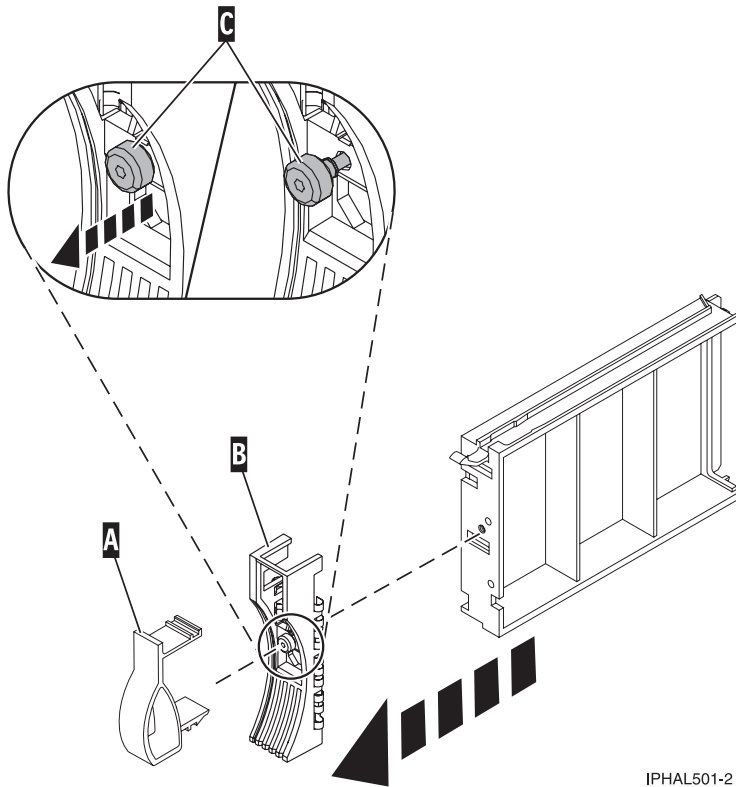


Figure 54. Removing a disk drive filler from a model or 7311-D20

5. Gently pull off the disk drive bezel latch (A) from the front of the filler, as shown in the following figure.



IPHAL501-2

Figure 55. Removing a disk drive bezel

6. Loosen and then pull out on the thumbscrew (C) to release the bezel (B) from the front edge of the filler.

Installing a disk drive filler

Learn how to install a disk drive filler in the server or expansion unit.

1. Attach the disk drive bezel (A) to the filler.

Attention:

- Attach a wrist strap to an unpainted metal surface of your hardware to prevent electrostatic discharge (ESD) from damaging your hardware.
 - When using a wrist strap, follow all electrical safety procedures. A wrist strap is for static control. It does not increase or decrease your risk of receiving electric shock when using or working on electrical equipment.
 - If you do not have a wrist strap, just prior to removing the product from ESD packaging and installing or replacing hardware, touch an unpainted metal surface of the system for a minimum of 5 seconds.
2. Press in and then tighten the thumbscrew (B) to secure the bezel to the disk drive.
 3. Install the disk-drive bezel latch (C) onto the front of the filler, as shown in the figure.

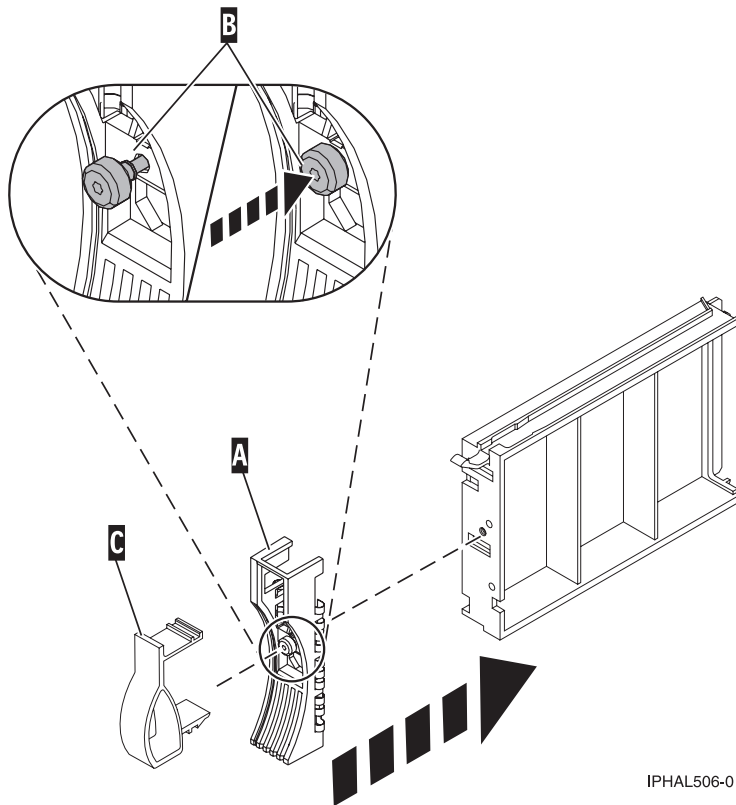


Figure 56. Attaching a bezel to a disk drive filler

4. Install the disk drive filler in the system or expansion unit, as shown in the following figure.

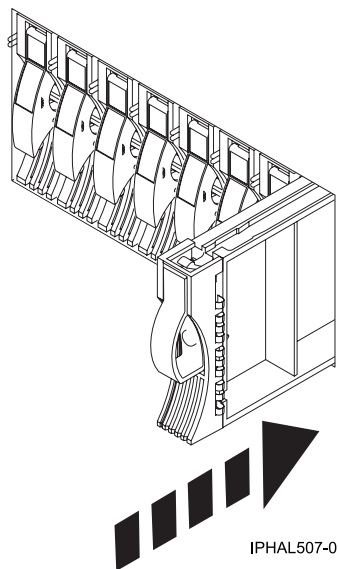


Figure 57. Installing a disk drive filler

5. Replace the front cover.
6. Install or close the system, expansion unit, or rack front door.

Removing or installing a disk drive bezel

Learn how to remove or install the disk drive bezel from and into a disk drive.

Removing a disk drive bezel from a disk drive or filler

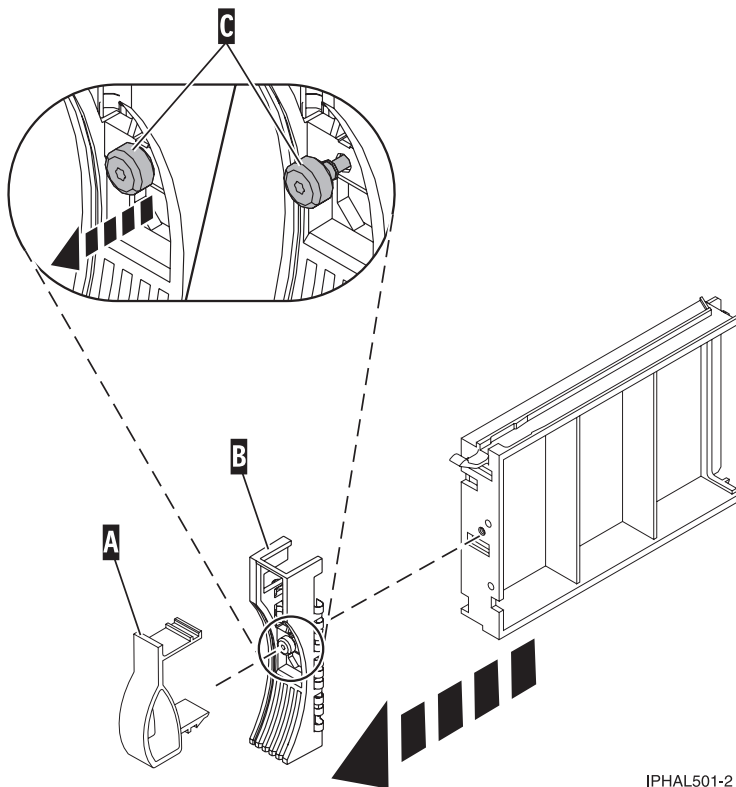
Learn how to remove a disk drive bezel from a disk drive or a disk drive filler.

Learn to remove the disk drive bezel from either a failed disk drive that had a bezel installed in it or from the disk drive filler in the slot where you are replacing the failed disk drive. The removed disk drive bezel must be attached in the replacement disk drive or a disk drive filler before installing the disk drive or filler in the system or expansion unit. To install a disk drive filler, see “Installing a disk drive bezel in a disk drive or filler” on page 73. Perform the steps in this procedure only if the disk drive or the disk drive filler has a disk drive bezel attached to it.

Important: If the disk drive bezel does not have a thumbscrew, it is not removable and is a SAS disk drive.

Note: Some of the figures in this procedure might not look exactly like the system or expansion unit that you have. However, the steps to perform the task are the same.

1. From the removed disk drive or disk drive filler, gently pull off the disk drive bezel latch (A) from the front of the filler, as shown in Figure 58.
2. Loosen and then pull out on the thumbscrew (C) to release the bezel (B) from the front edge of the filler.



IPHAL501-2

Figure 58. Removing a disk drive bezel

3. Retain the removed disk drive bezel safely and use the removed bezel to attach it to the replacement disk drive or a disk drive filler.

Return to the procedure that brought you here.

Installing a disk drive bezel in a disk drive or filler

Learn how to install a disk drive bezel into a disk drive.

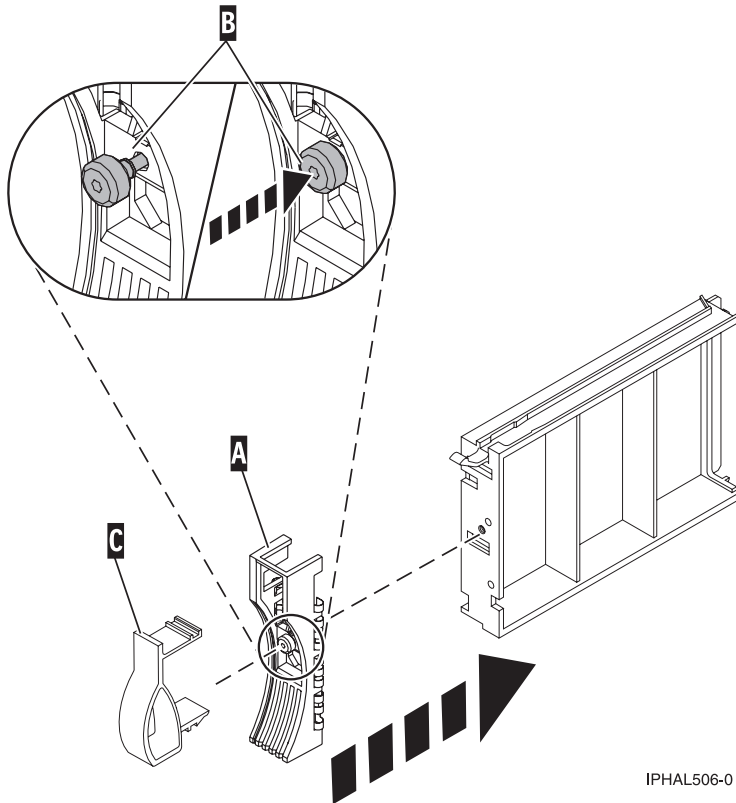
You must have removed the disk drive bezel from either a failed disk drive that had a bezel installed in it or from the disk drive filler. To remove a disk drive filler, see “Removing a disk drive bezel from a disk drive or filler” on page 72. Perform the steps in this procedure only if the disk drive or the disk drive filler removed had a disk drive bezel attached to it.

Note: If the disk drive bezel does not have a thumbscrew, it is not removable and is a SAS disk drive. The replacement SAS disk drive comes with an attached bezel.

1. Attach the disk drive bezel **(A)** to the disk drive or to a disk drive filler.

Attention:

- Attach a wrist strap to an unpainted metal surface of your hardware to prevent electrostatic discharge (ESD) from damaging your hardware.
 - When using a wrist strap, follow all electrical safety procedures. A wrist strap is for static control. It does not increase or decrease your risk of receiving electric shock when using or working on electrical equipment.
 - If you do not have a wrist strap, just prior to removing the product from ESD packaging and installing or replacing hardware, touch an unpainted metal surface of the system for a minimum of 5 seconds.
2. Press in and then tighten the thumbscrew **(B)** to secure the bezel to the disk drive or filler.
 3. Install the disk drive bezel latch **(C)** onto the front of the disk drive or filler, as shown in Figure 59 on page 74.



IPHAL506-0

Figure 59. Attaching a bezel to a disk drive filler

Return to the procedure that brought you here.

Disk drives or solid-state drive locations and service indicators

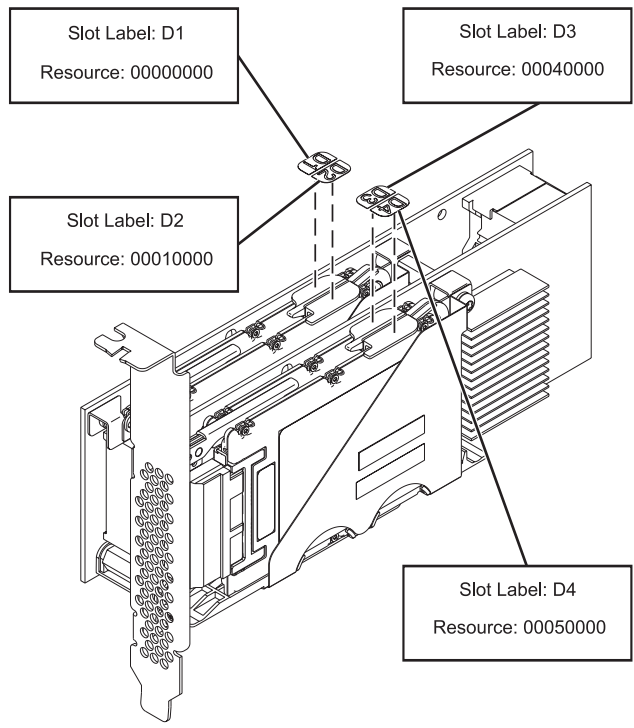
Find out where the disk drives or solid-state drives and service indicators are located on the system, drive enclosure, or an expansion unit.

Learn about the disk drives or solid-state drive locations and location of the service indicators on the system, drive enclosure, or expansion unit.

PCIe RAID and SSD SAS adapter locations

Learn about the PCIe RAID and SSD SAS adapter locations and the location of the service indicators on the PCIe RAID and SSD SAS adapter.

Figure 60 on page 75 shows the PCIe RAID and SSD SAS adapter locations.



P7EBJ510-1

Figure 60. PCIe RAID and SSD SAS adapter locations

Disk drive locations and service indicators for 8233-E8B and 8236-E8C

Learn the disk drive locations and where the service indicators are located for your system.

The following figures show the disk drive locations and service indicators for the 8233-E8B and 8236-E8C. Service indicators are located above the latch handle on the disk drives.

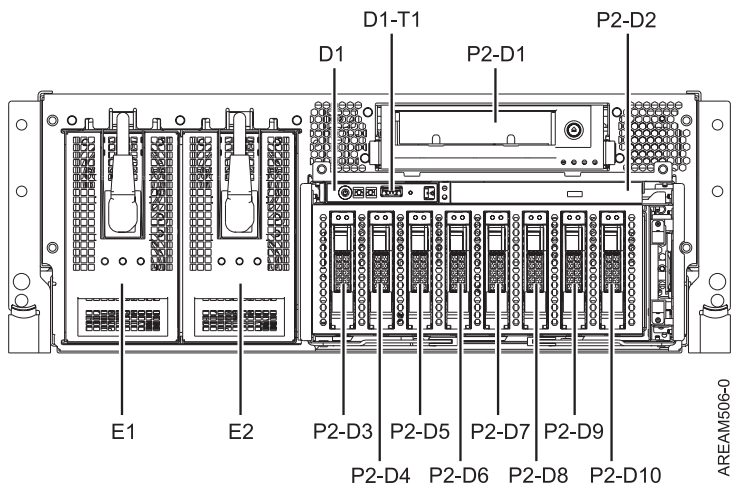


Figure 61. Disk drive locations

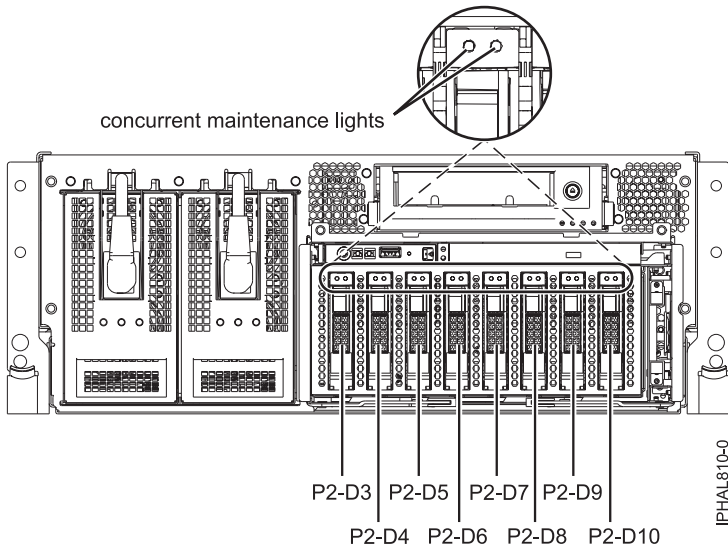


Figure 62. Service indicator locations

Disk-drive locations and service indicators for the 5887 disk drive enclosure

Learn about the disk-drive locations and where the service indicators are located for the 5887 disk drive enclosure.

The following figures show the front view and rear view of the 5887 disk drive enclosure and the disk drive locations in the 5887 disk drive enclosure.

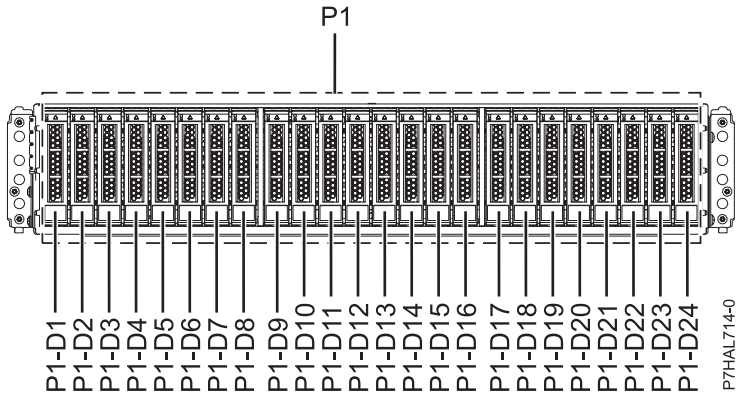


Figure 63. Front view of the 5887 disk drive enclosure showing the disk-drive locations

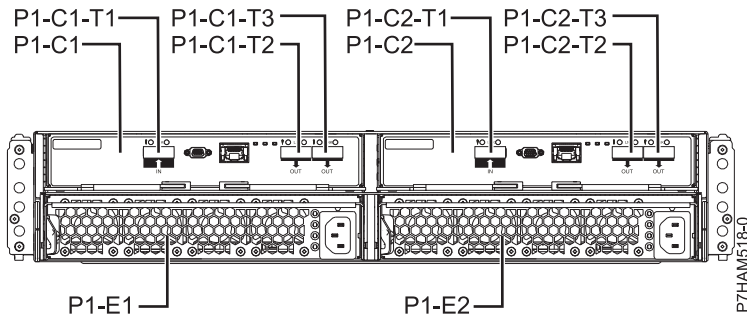


Figure 64. Rear view of the 5887 disk drive enclosure

The following figure shows the locations of the disk-drive service indicators for the 5887 disk drive enclosure.

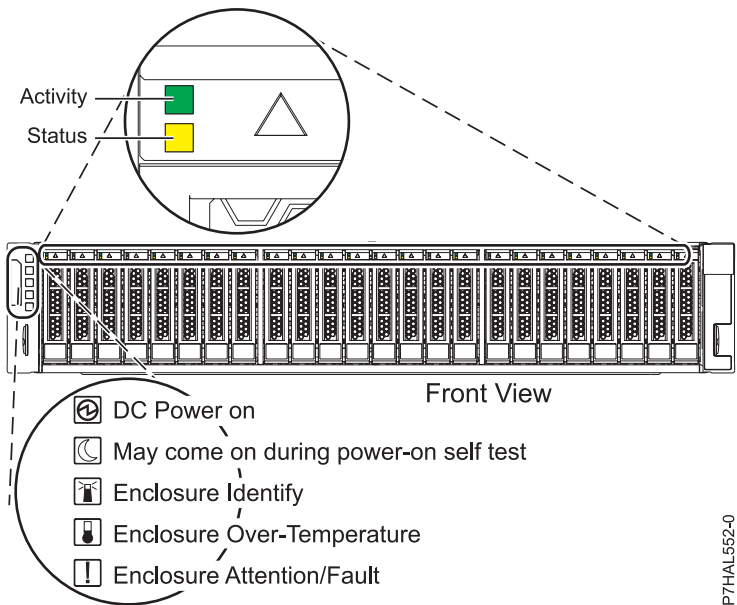


Figure 65. Front view of the 5887 disk drive enclosure showing the service indicators

Disk drive locations and service indicators for the 5886 disk drive enclosure

Learn about the disk drive locations and where the service indicators are located for your disk drive enclosure.

The following figure shows the disk drive locations for the 5886 disk drive enclosure.

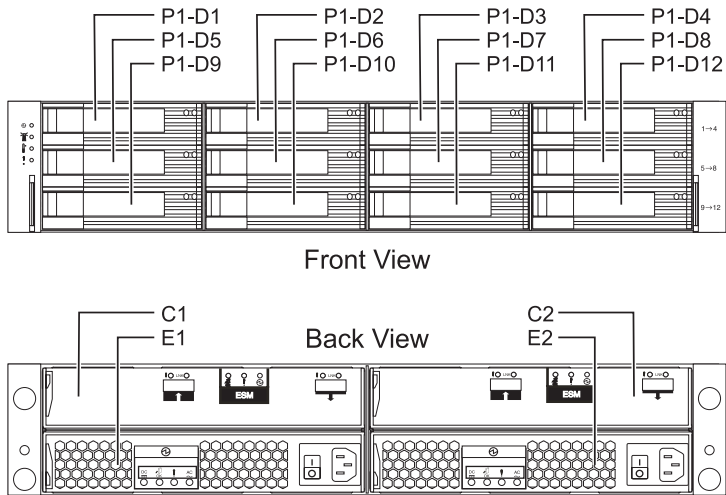


Figure 66. Disk drive locations for the 5886 disk-drive enclosure

The following figure shows the locations of the disk drive service indicators for the 5886 disk-drive enclosure.

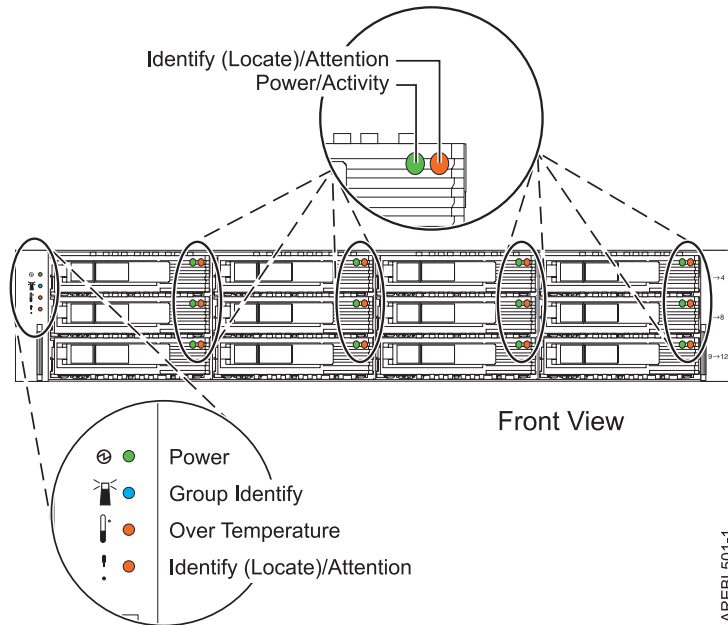


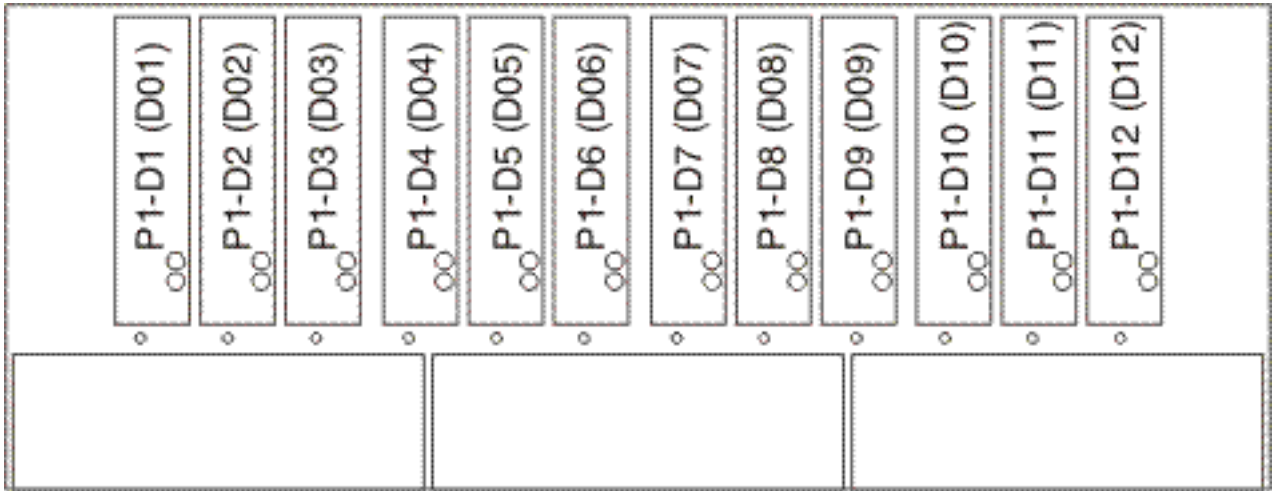
Figure 67. Front view of disk drive enclosure service indicators for the 5886

Disk drive locations and service indicators for the 5786, 5787, 7031-D24, and 7031-T24 SCSI disk-drive enclosures

Learn about the disk drive locations and where the service indicators are located for your disk-drive enclosure.

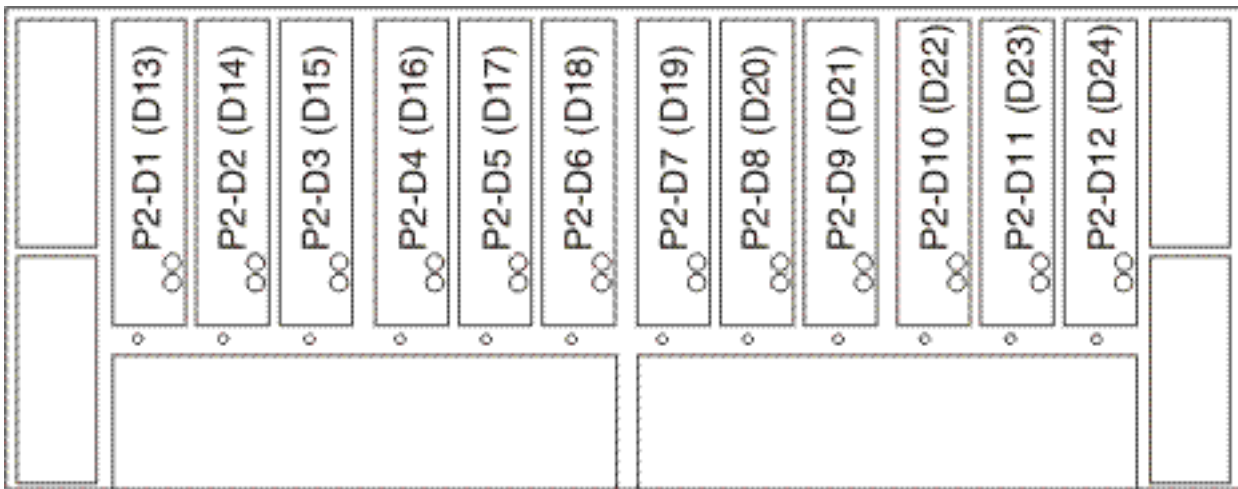
The availability of disk drive locations depends on the number of SCSI interface cards installed in the SCSI disk-drive enclosure. If the next available disk drive position is the first slot in a disk-drive enclosure, such as D21, D26, or D46, look at the disk drive controller to verify that the enclosure is connected to a SCSI bus port. The controller end of the cable is clearly labeled with the disk-drive enclosure to which it connects. If the enclosure is not connected to a disk drive controller, you must either install the disk drive in a different disk-drive enclosure or connect the enclosure to a SCSI bus port on a disk drive controller. You might need to add a disk drive controller before you can add disk drives to the expansion unit.

The following figures show the disk drive locations for the front and rear of the 5786, 5787, 7031-D24, and 7031-T24 SCSI disk-drive enclosures.



IPHAL975-0

Figure 68. Front view of 5786, 5787, 7031-D24, and 7031-T24 SCSI disk-drive enclosures



IPHAL976-0

Figure 69. Rear view of 5786, 5787, 7031-D24, and 7031-T24 SCSI disk-drive enclosures

The following figures show the locations of the disk drive service indicators (A) for the 5786, 5787, 7031-D24, and 7031-T24 SCSI disk-drive enclosures.

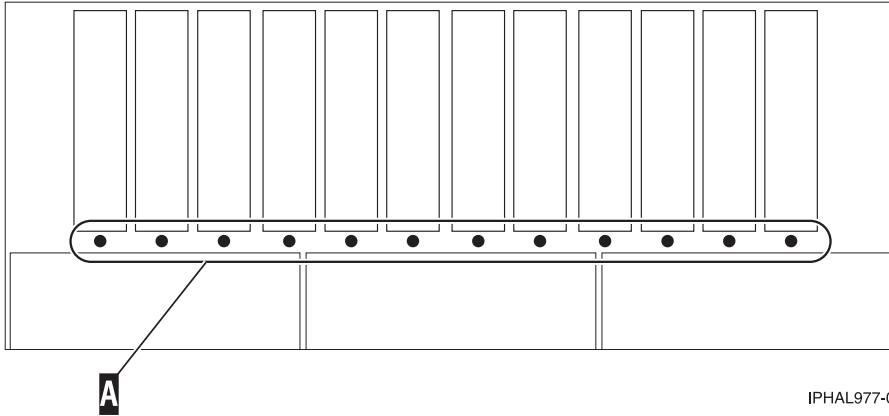


Figure 70. Front view of service indicators for 5786, 5787, 7031-D24, and 7031-T24

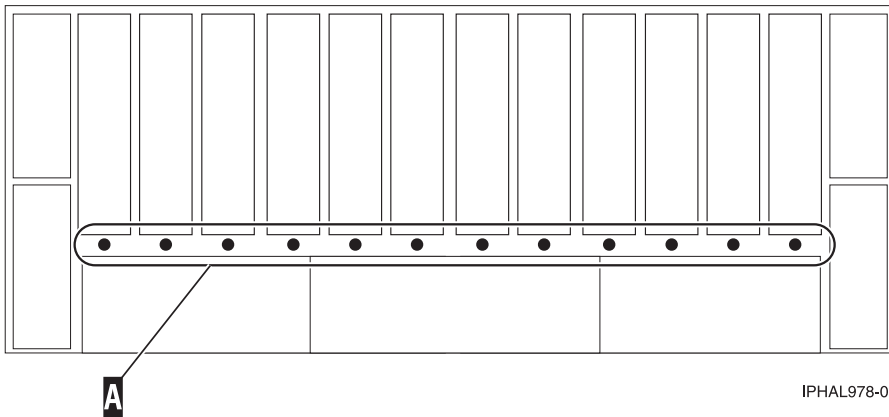


Figure 71. Rear view of service indicators for 5786, 5787, 7031-D24, and 7031-T24

Disk-drive locations and service indicators for the 5802 expansion unit

Learn about the disk-drive locations and where the service indicators are located for your expansion unit.

The following figure shows the disk-drive locations for the 5802.

Service indicators are located at the bottom of the latch handle on each disk drive.

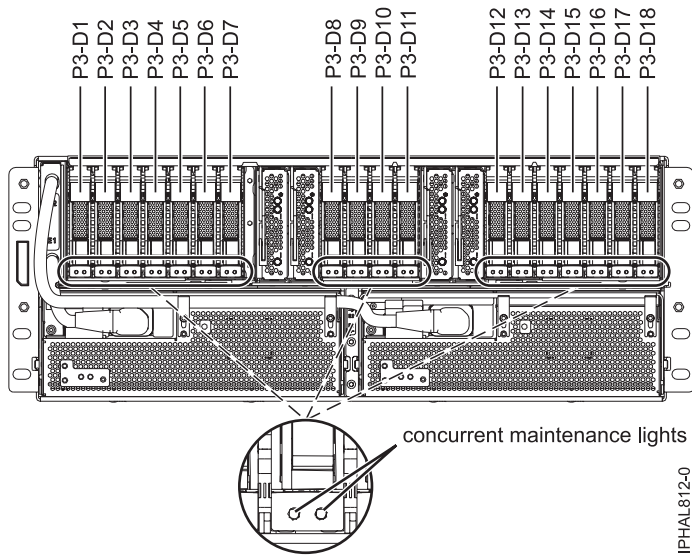


Figure 72. Disk drive locations

Related information:

Cabling the 5802 disk subsystem

Related tasks for disk drives or solid-state drives

Find additional information and instructions related to the disk drives or solid-state drives that help you with performing the install, remove, or replace tasks.

Preparing a disk drive or solid-state drive for use in an AIX system or logical partition

Configure the newly installed disk drive or solid-state drive for your environment.

If the drive is attached to a PCI-X SCSI RAID controller, see the *PCI-X SCSI RAID Controller Reference Guide for AIX* in the IBM(r) AIX Information Center. If the drive is attached to another controller, see the *AIX System Management Guide: Operating System and Devices*. These guides are available at the System p and AIX Information Center (<http://publib.boulder.ibm.com/infocenter/pseries/v5r3/index.jsp>).

Preparing to remove a disk drive or solid-state drive from a system or an expansion unit controlled by AIX

Learn the actions you must take to properly remove a disk drive or solid-state drive from a system or an expansion unit controlled by AIX.

Before removing a drive from a system or expansion unit that is controlled by AIX, ensure that all data on that drive or the array that contains the drive is backed up and removed from the drive. Also ensure that the drive is in the Defined state.

If the drive is attached to a SAS RAID controller, see SAS RAID controllers for AIX. If the drive is attached to a PCI-X SCSI RAID controller, see the *PCI-X SCSI RAID Controller Reference Guide for AIX* or SAS RAID controllers for AIX topic. If the drive is attached to another controller, see the information for that controller or the *AIX System Management Guide: Operating System and Devices*. These guides are available at the System p and AIX Information Center.

Rebuilding data on a replacement disk drive or solid-state drive by using AIX

To rebuild data on the replacement disk drive or solid-state drive, refer to the information for the controller to which the drive is attached.

- If the disk drive or solid-state drive is attached to a PCI-X SCSI RAID controller, see the *PCI-X SCSI RAID Controller Reference Guide for AIX*.
- If the disk drive is attached to a PCI SCSI RAID adapter (feature code 2498), see the *PCI 4-Channel Ultra3 SCSI RAID Adapter Reference Guide*.

For more information, see the *AIX System Management Guide: Operating System and Devices*. These guides are available at the System p and AIX Information Center.

Preparing to remove a disk drive or solid-state drive in a Linux system

Learn how to prepare the system to remove a disk drive or solid-state drive in a location that is controlled by a system or logical partition that is running Linux.

Preparing to remove the disk drive

1. Log in as root user.
2. Type `iprconfig` on the command line of the Linux session and press Enter.
The IBM Power RAID Configuration Utility display is shown.
3. Select **Analyze log**. Press Enter. The Kernel Messages Log display is shown.

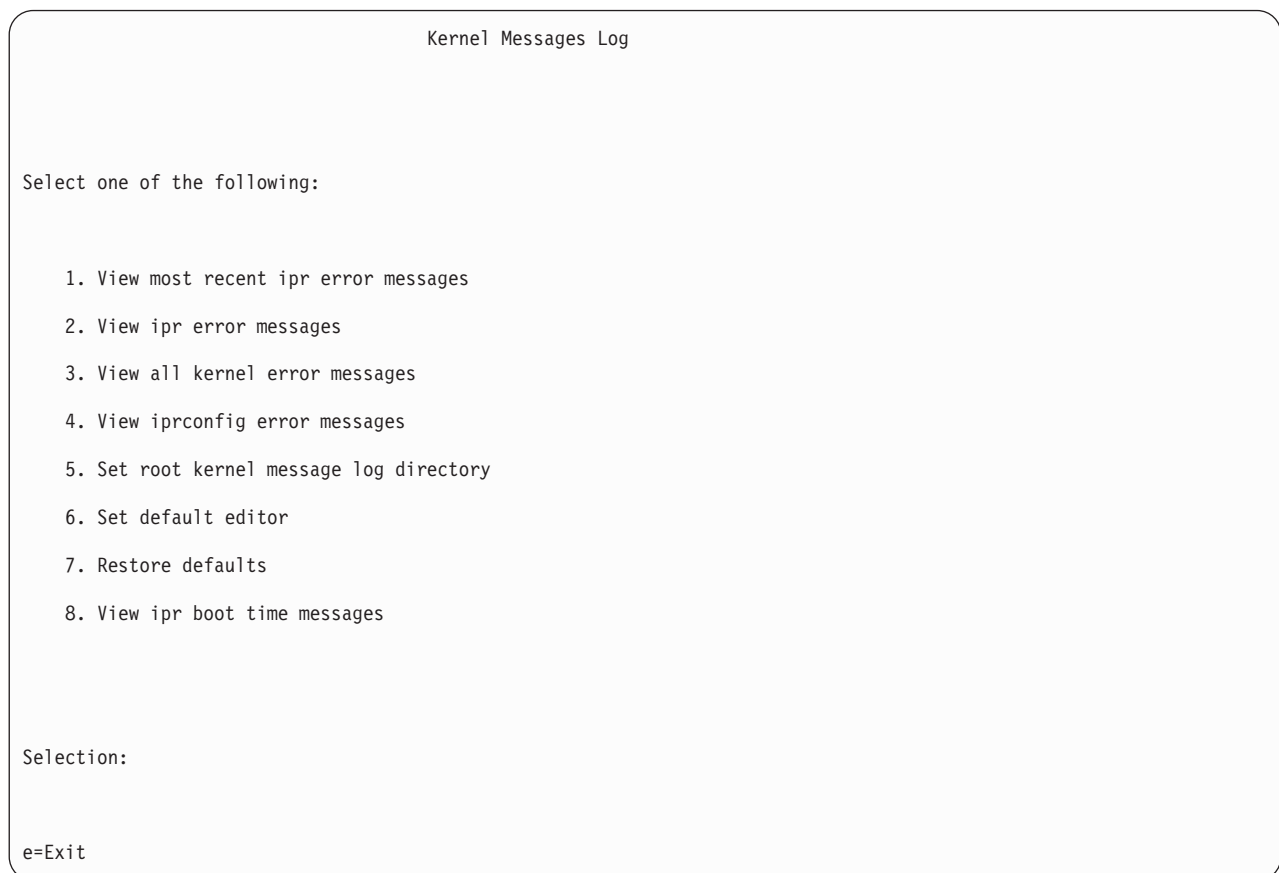


Figure 73. Kernel Messages Log

4. Select **View most recent ipr error messages** from the Kernel Messages Log display. Press Enter.

5. Find the entry in the log for the drive you want to replace.
6. Record the location information for the drive.

Note: The location information is in either of these forms:

0:0:5:0 In this example, 0 is the SCSI host number, 0 is the SCSI bus, 5 is the SCSI target ID, and 0 is the logical unit number (LUN).

0/00-0E-02

In this example, 0 is the SCSI host number, 00 is the I/O adapter (IOA) SAS port, 0E is the expander port, and 02 is the device port.

7. Return to the command line.
8. Type the following command:

```
ls -ld/sys/class/scsi_host/host#
```

Where # is the SCSI host number. Press Enter.

For example, `ls -ld/sys/class/scsi_host/host0`

```
lrwxrwxrwx. 1 root root 0 Jul 18 16:27 /sys/class/scsi_host/host0
-> ../../devices/pci0000:01/0000:01:00.0/host0/scsi_host/host0
0000:01:00.0 is PCI location information.
```

9. Record the PCI location information.

Note: The PCI location information has the form of 61:01:0:2.

10. Type `iprconfig` on the command line and press Enter.
The IBM Power RAID Configuration Utility display is shown.
11. Select **Display hardware status** from the IBM Power RAID Configuration Utility display. Press Enter.
The Display Hardware Status display is shown.

```

Display Hardware Status

Type option, press Enter.
  1=Display hardware resource information details
OPT Name  PCI/SCSI Location      Description              Status
-----
          0000:01:00.0/0:      PCI-E SAS RAID Adapter  Operational
          0000:01:00.0/0:0:0:0  Advanced Function SSD   Active
          0000:01:00.0/0:0:1:0  Advanced Function SSD   Active
          0000:01:00.0/0:0:2:0  Advanced Function SSD   Active
          0000:01:00.0/0:0:3:0  Advanced Function SSD   Active
          0000:01:00.0/0:0:4:0  Advanced Function SSD   Active
          0000:01:00.0/0:0:5:0  Advanced Function SSD   Failed
          0000:01:00.0/0:0:6:0  Advanced Function SSD   Active
          0000:01:00.0/0:0:8:0  Enclosure                Active
          0000:01:00.0/0:0:9:0  Enclosure                Active
          0001:01:00.0/1:      PCI-E SAS RAID Adapter  Operational
          0001:01:00.0/1:0:3:0  Advanced Function SSD   Remote
          0001:01:00.0/1:0:4:0  Advanced Function SSD   Remote
          0001:01:00.0/1:0:5:0  Advanced Function SSD   Remote
          More...

e=Exit  q=Cancel  r=Refresh  t=Toggle  f=PageDn  b=PageUp

```

Figure 74. Example Display Hardware Status

12. Look for the drive at the PCI location you recorded. The drive might have a Failed status.
13. If the drive you want to replace is unprotected or in use, move the data from the drive before continuing with this procedure.

For PCI-X controller information, see the *PCI-X SCSI RAID Controller Reference Guide for Linux*. This guide is available from the SCSI PCI Adapters web page.

For SAS RAID controller information, see the SAS RAID controllers for Linux topic.

14. Type 1 (Display hardware resource information details) next to the drive you want to replace. Press Enter.

The Disk Unit Hardware Resource Information Details is displayed like the shown in the following sample.

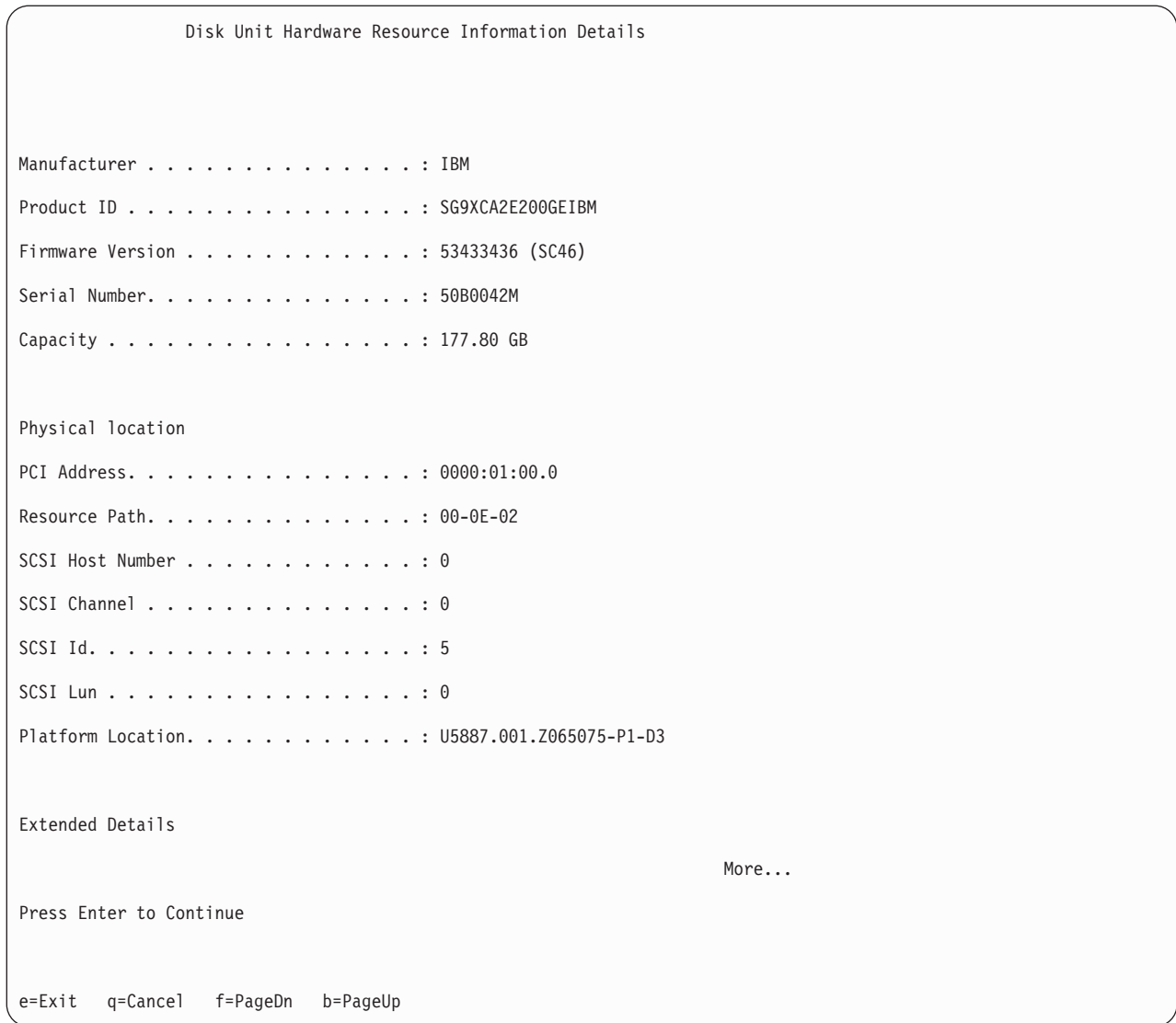


Figure 75. Example Disk Unit Hardware Resource Information Details display

15. Record the physical location information.
16. Return to the IBM Power RAID Configuration Utility display.

Rebuilding data on a replacement disk drive or solid-state drive in a system or logical partition running Linux

You can rebuild data on the replacement drive that was replaced because of a failed disk drive or solid-state drive or as a new installation.

If a hot-spare drive was available and protected the disk array throughout the drive failure, you can configure the newly installed drive as a hot spare. For instructions, see the *PCI-X SCSI RAID Controller Reference Guide for Linux*.

This guide is available from the SCSI PCI Adapters web page.

If a hot-spare rebuild was not initiated by the controller, you need to initiate a rebuild on the newly installed drive. To initiate the rebuild, follow these steps:

For an unprotected disk drive

If the drive you are replacing is in a RAID Level 0 disk array or in a failed RAID Level 5 or RAID Level 10 disk array, complete these tasks:

1. Re-create the disk array.
2. Re-create the file systems on the disk array.
3. Copy the data back to the restored disk array from your backup media.

Rebuilding data by using the iprconfig command

If a hot-spare rebuild was not initiated by the controller, you must initiate a rebuild on the newly installed drive. To initiate the rebuild, complete the following procedure using the iprconfig command.

For a disk drive in a RAID Level 5 or RAID Level 10 disk array

1. Log in as root user.
2. Type iprconfig on the command line of the Linux session and press Enter. The IBM Power RAID Configuration Utility display is shown.
3. Select **Work with disk unit recovery** from the IBM Power RAID Configuration Utility display. Press Enter. The Work with Disk Unit Recovery display is shown.
4. From the Work with Disk Unit Recovery display, select **Rebuild disk unit data**. A Rebuild Disk Unit Data display similar to the following is shown.

```
Rebuild Disk Unit Data

Select the disks to be rebuilt

Type choice, press Enter.

1=Rebuild

OPT Name   PCI/SCSI Location      Description              Status
-----
1          0000:58:01.0.0/0:4:0   RAID Array Member       Failed

e=Exit    q=Cancel    t=Toggle
```

Figure 76. Example Rebuild Disk Unit Data display

5. Type 1 (Rebuild) next to the disk drive you want to rebuild and press Enter.

Note: Completing a rebuild on a drive overwrites the data currently on the drive.

A Confirm Rebuild Disk Unit Data display similar to the following is shown.

```

Confirm Rebuild Disk Unit Data

Rebuilding the disk unit data might take several minutes for each disk
selected.

Press Enter to confirm having the data rebuilt.
q=Cancel to return and change your choice.

OPT Name      PCI/SCSI Location      Description      Status
-----
1             0000:58:01.0.0/0:4:0    RAID Array Member      Failed

q=Cancel      t=Toggle

```

Figure 77. Example Confirm Rebuild Disk Unit Data display

- To confirm that you want to rebuild the data on the drive, press Enter. The message that the rebuild has begun is shown at the bottom of the Work with Disk Unit Recovery display. The rebuild process might take several minutes to complete.

Preparing to remove a disk drive or solid-state drive from a system or logical partition controlled by IBM i

Learn the actions you must take to properly remove a disk drive or solid-state drive.

Before removing a drive from a system or expansion unit that is controlled by IBM i, follow these steps:

- Determine the protection status of the drive that you are replacing. For instructions, see “Determining the IBM i disk drive or solid-state drive protection status” on page 89.
- For mirrored disk drives** on an IBM i system or logical partition, follow these steps to verify that the drive you are replacing has been suspended:
 - Sign on with service level authority.
 - Type `strsst` on the command line of the IBM i session and press Enter.
 - Type your service tools user ID and service tools password on the Start Service Tools (STRSST) Sign On display. Press Enter.

Remember: The service tools password is case-sensitive.

- Select **Work with disk units** from the System Service Tools (SST) display. Press Enter.
- Select **Display Disk Configuration** from the Work with Disk Units display. Press Enter.
- Select **Display Disk Configuration Status** from the Display Disk Configuration display. Press Enter.
- Does the drive that is mirrored to the drive that you are replacing (same drive number) have a status of Active?
 - No:** The replacement must be done by a service provider.

- **Yes:** Does the drive that you are replacing have a status of Suspended?
 - **Yes:** Continue with the next step.
 - **No:** Follow these steps to suspend mirrored protection on the drive that you are replacing:
 - 1) Press F3 from the Display Disk Configuration display to return to the Work with Disk Units display.
 - 2) Select **Work with Disk Unit Recovery** from the Work with Disk Units display. Press Enter.
 - 3) Select **Suspend mirrored protection** from the Work with Disk Unit Recovery display. Press Enter.
 - 4) Select the option to suspend the drive that you are replacing from the Suspend Mirrored Protection display. Press Enter.
- h. Press F3 repeatedly to exit System Service Tools and return to the main menu.

Determining the IBM i disk drive or solid-state drive protection status

To determine the protection status of the drives in your IBM i system or logical partition, follow these steps from the System Service Tools (SST) display:

Tip: If you do not know the protection status of the drives and you cannot get to the System Service Tools display, contact your next level of support.

1. Sign on **with at least service level authority**.
2. Type `strsst` on the command line of the IBM i session and press Enter.
3. Type your service tools user ID and service tools password on the Start Service Tools (STRSST) Sign On display. Press Enter.

Note: The service tools password is case-sensitive.

4. Select **Work with disk units** from the System Service Tools (SST) display. Press Enter.
5. Select **Display Disk Configuration** from the Work with Disk Units display. Press Enter.
6. Select **Display Disk Configuration Status** from the Display Disk Configuration display. Press Enter.

A list of each auxiliary storage pool (ASP) displays, showing the drives that are members of the ASP. The Status column shows one of the following protection statuses for the ASP:

- **Mirrored.** These ASPs are configured for mirrored protection. If the failing drive has mirrored protection, record the status of both drives in the mirrored pair. You need this information in the recovery procedure.
- **Unprotected.** An ASP with a status of Unprotected might contain drives that are device parity protected. Record the status of the failing drive as it is shown in the Status column of the Display Disk Configuration Status display.

A drive with one of the following statuses has device parity protection only if all other drives in the array are operational:

- DPY/Active
- DPY/Failed
- DPY/HDW Failure
- DPY/Degraded
- DPY/Power Loss
- DPY/Not Ready
- DPY/Unknown

A drive with any other status (such as DPY/Rebuild or DPY/Unprotected) does not have device parity protection.

Examples:

- Suppose one drive has a status of DPY/Failed while all other drives have a status of DPY/Unprotected. In this case, only the drive with the DPY/Failed status is protected. Servicing the failed drive does not result in data loss. Removing any of the unprotected drives might result in data loss.
- All drives have a status of DPY/Active or DPY/Degraded, therefore, all drives are protected. In this case, exchanging any drive does not result in data loss.

Tip: For more information about the meaning of a status for any drive, use the Help key on the display.

Configuring a disk drive or solid-state drive in an IBM i system or logical partition

To configure a newly installed drive into an existing device parity set, follow these steps:

If you want to start a new device parity set or change the protection on your disks, see Manage device parity protection or Start device parity protection in the Disk Management section of the IBM i Information Center website at <http://www.ibm.com/systems/i/infocenter>.

1. If necessary, start System Service Tools (SST) by typing `strsst` on the command line of the IBM i session and pressing Enter.
2. Type your service tools user ID and service tools password on the Start Service Tools (STRSST) Sign On display. Press Enter.

Restriction: The service tools password is case sensitive.

3. Select **Work with Disk Units** on the System Service Tools display. Press Enter.
4. Select **Display disk configuration** on the Work with Disk Units display. Press Enter.
5. Select **Display non-configured units** on the Display disk configuration display. Press Enter.
6. The drive that you installed is listed. The serial number must match the serial number you recorded (the last four digits).

Note: The new drive might take up to five minutes to appear in the list. If the drive is not listed, ensure that the drive was properly installed.

7. Press F12 twice.
8. Select **Work with disk configuration** on the Work with Disk Units display. Press Enter.
9. Are you adding a drive to an existing device parity set?
 - **Yes:** Continue with the next step.
 - **No:** Go to step 23 on page 91 for mirroring or no protection. For hot spare, go to 29 on page 92.

Tip: Select **No** for mirroring, hot spare or no protection.

10. Select **Work with device parity protection** on the Work with Disk Configuration display. Press Enter.
11. Select **Include unit in device parity protection** on the Work with Device Parity Protection display. Press Enter.
12. Did the Include Device Parity Protection Failed display appear?
 - **Yes:** Continue with the next step.
 - **No:** Go to step 15 on page 91.
13. The following conditions must be met before you can start device parity protection.
 - If there are enough drives available to create a new parity set, the drives are eligible for *Start Device Parity Protection* operation and not for the *Include Device Parity Protection* operation.
 - All drives in a parity set must be the same capacity with a minimum number of three or four drives and maximum of 10 or 18 drives in the resulting parity set, depending on the drive type.

- Not all drives attached to an advanced function input/output processor have reported to the system. Repeat the operation.
- The type or model of the drives cannot be used for the requested operation.

When these conditions are met, press F12 to return to the Work with Disk Configuration display.

14. Select **Include unit in device parity protection** on the Work with disk configuration display. Press Enter.
15. On the Include Disk Units in Device Parity Protection display, select the disk drives to be included in Device Parity Protection. Type 1 in the Option column. Press Enter.
16. Press Enter to confirm your choice. The configuration starts and might take 30 - 60 minutes to complete.
17. When the device parity protection is complete, the message "Selected drives have been included successfully" is shown on the Work with device parity protection display. Press F12.
18. Select **Display disk configuration** on the Work with disk configuration display. Press Enter.
19. Select **Display disk configuration status** on the Display disk configuration display.
20. If you have more than one ASP, determine the auxiliary storage pool (ASP) to which you want to add the drive.
21. Press F12 twice to get to the Work with Disk Units display.
22. Select **Work with disk configuration** on the Work with Disk Units display. Press Enter.
23. Select the option to add units to ASPs and balance data on the Work with disk configuration display. Press Enter.
24. Specify the number of the ASP to which you want to add the drive. The system ASP is **ASP 1**. Press Enter.

Notes:

- a. If ASP is mirror protected, disk drives must be added in pairs of the same size.
- b. When one or more pairs of disk drives are added to a mirrored ASP, they automatically become mirror protected.
- c. To start mirrored protection on an ASP, refer to **Recovering your system** in the IBM i Information Center.

Go to IBM i Information Center website (www.ibm.com/systems/i/infocenter) and select from the following options:

- If you select V6R1, expand **IBM i 6.1 Information Center > Systems management > Backup and recovery > Recovering your system**
- If you select V5R4, expand **i5/OS Information Center > Systems management > Backup and recovery > Backing up and recovering your system > Recovering your system**

25. The Confirm Add Units displays showing the configuration your system must have when the add operation completes.

Note: If you have selected the wrong ASP, press F12 to change your options. Press the Enter key to continue. The add process takes several minutes to complete.

26. When the message Selected units have been added successfully is shown, press F3 three times and press Enter to return to the Main menu display.
27. If you have a printer, print the configuration list. A service provider might refer to the configuration list in the future.
 - a. You must sign on **with at least service level authority**
 - b. Type strsst on the Main menu command line. Press Enter.
 - c. Type your service tools user ID and service tools password on the Start Service Tools (STRSST) Sign On display. Press Enter.

Remember: The service tools password is case-sensitive.

- d. Select **Start a service tool** on the System Service Tools (SST) display. Press Enter.
 - e. Select **Hardware service manager** on the Start a Service Tool display. Press Enter.
 - f. Press F6 (print the configuration) from the Hardware Service Manager display.
 - g. To return to the Main Menu display, press F3 (Exit) twice and then press Enter.
 - h. Place the configuration list where you can refer to it in the future.
28. If you are a service provider completing this task, return to the procedure that sent you here.
- a. Return to the procedure that sent you here.
29. Complete the following steps for hot spare:
- a. Select **Work with hot spare protection** from the **Work with disk configuration** menu.
 - b. Select **Start device parity protection - RAID 5 with hot spare** or **Start device parity protection - RAID 6 with hot spare** depending on the level of parity protection that is wanted.

Rebuilding data on a replacement disk drive or solid-state drive by using IBM i

Learn how to rebuild data on replacement disks.

To rebuild data on the replacement drive, complete the following steps:

1. If necessary, start System Service Tools (SST) by typing `strsst` on the command line of the IBM i session and pressing Enter.
2. Type your service tools user ID and service tools password on the Start Service Tools (STRSST) Sign On display. Press Enter.

Note: The service tools password is case sensitive.

3. Select **Work with disk units** from the Start System Service Tools (SST) display. Press Enter.
4. Select **Work with disk unit recovery** from the Work with Disk Units display. Press Enter.
5. If you determined that the drive you replaced had **device parity protection (RAID)**, follow these steps to restore device parity protection (RAID) on the drive:
 - a. Select **Rebuild disk unit data** on the Work with Disk unit recovery display. Press Enter.
 - b. Select 1 to rebuild the drive displayed (the drive displayed is the drive that you **removed**) on the Rebuild Disk Unit Data display. Press Enter.
 - c. Press Enter on the Confirm Rebuild Disk Unit Data display. The rebuild process might take several minutes to complete.
 - d. Press F5 to refresh the display until the **Percent complete** shows 5%.
 - e. When the display shows at least 5% complete, you can either continue to monitor this display to completion, or press F3 (Exit) to return to the Work with disk units display.
 - f. Press F3 (Exit) to return to the System service tools display.
 - g. Press F3 (Exit) to return to the Exit SST display and press Enter.
 - h. Return to the procedure that sent you here.
6. If the drive that you replaced had **mirrored protection**, follow these steps:
 - a. Select **Replace configured unit** on the Work with Disk unit recovery display. Press Enter.
 - b. Select the configured drive that you are exchanging (suspended drive) on the Select Configured Unit to Replace display. Press Enter.
 - c. Select the drive that you just installed on the Select Replacement Unit display. This drive has a non-configured status.

Note: In some cases, it might take several minutes for a new drive to display. Repeat these steps until the new drive is shown.
Press Enter.

- d. Press Enter on the Confirm Replace of Configured Unit display to confirm your choice for replacement.
The replacement process might take several minutes to complete. When the process is complete, the Work with Disk unit recovery display is shown.
- e. Press F3 (Exit) to return to the Work with disk units display.
- f. Select **Display disk configuration** on the Work with disk units display.
- g. Select **Display disk configuration status** on the Display Disk Configuration display.
Mirrored status shows Resuming. When complete, the mirrored status shows Active. This process might take several minutes to complete. You can either monitor this display to completion, or press F3 (Exit) three times, and then press Enter to return to the IBM i main menu.

Configuring a disk drive on a load source adapter for hot spare using the IBM i operating system

To start hot spare protection on your load source adapter you must determine the status of the disk drive in the load source slot and configure or exchange that disk drive, which might require you to turn off the power to the system.

1. If necessary, start System Service Tools (SST) by typing `strsst` on the command line of the IBM i session and pressing Enter.
2. Type your service tools user ID and service tools password on the Start Service Tools (STRSST) Sign On display. Press Enter.

Note: The service tools password is case sensitive.

3. Determine the protection status of all disks controlled by the load source adapter. Do all disk drives that are a member of a parity sets or mirror sets have a status of active?
 - No: Replace the disk using the following procedure in, “Replacing a disk drive with the IBM i system or logical partition power turned on” on page 47.
 - Yes: Continue to the next step.

Restriction: There must be a disk drive of the same or larger capacity located in a load source capable slot to act as a hot spare for the active load source disk drive. The next steps will have you change the disk drive in the desired slot if needed.

Attention: If the disk drive acting as hot spare for the load source is of smaller capacity you can suffer data loss.

4. Determine whether a non-configured disk drive of the same or larger capacity is located in a load source capable slot but is not the active load source. Only parallel SCSI places a restriction on the location of the load source. Any SAS, Fibre Channel, or virtual disk drive does not have this restriction.
 - No non-configured drive is located in a load source capable slot. Continue with the next step
 - Yes a non-configured drive is located in a load source capable slot. Return to the procedure that sent you here, and continue to the next step of that procedure.
5. Choose the disk drive to be installed or exchanged with the drive in the load source slot by doing the following:
 - a. Select a disk drive in a parity set located in a load source capable slot, but is not the active load source drive, and record the location of this disk drive.
 - b. Select a non-configured disk drive of the same or larger capacity from either a non-load source slot or a failed drive you are replacing with a non-configured disk drive.
6. Stop the system if it is running. For instructions on stopping the system, see Stopping the system or logical partition.
7. Exchange the disk drives from the two locations you recorded in step 5 by removing both disk drives and placing them into the other disk drives slot.

8. Start the system. For instructions, see Starting the system or logical partition
9. Return to the procedure that sent you here and continue with the next step in that procedure.

Replacing a SAS conduit card in a 5802 expansion unit with the power turned off

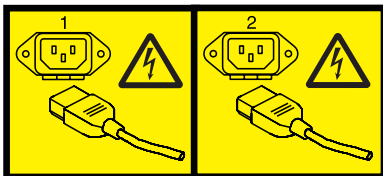
Learn how to replace a SAS conduit card in the 5802 expansion unit with the power turned off.

Complete the following steps to replace a conduit card:

1. Complete the prerequisite tasks. For instructions, see “Before you begin” on page 113.
2. Stop the system or logical partition. For instructions, see “Stopping a system or logical partition” on page 123.
3. Disconnect the power source from the system by unplugging the system.

Attention: This system might be equipped with a second power supply. You must disconnect the power source from the system by disconnecting all power cords to prevent system damage during this procedure.

(L003)



or



4. Complete the following steps to replace the midplane and SAS conduit card into the system:
 - a. Place the card connector (C) on the midplane connection (D) using the guide track (B) to ensure a good connection.
 - b. Lift the handle (A) to seat and secure the SAS conduit card to the midplane as shown in Figure 78 on page 95.

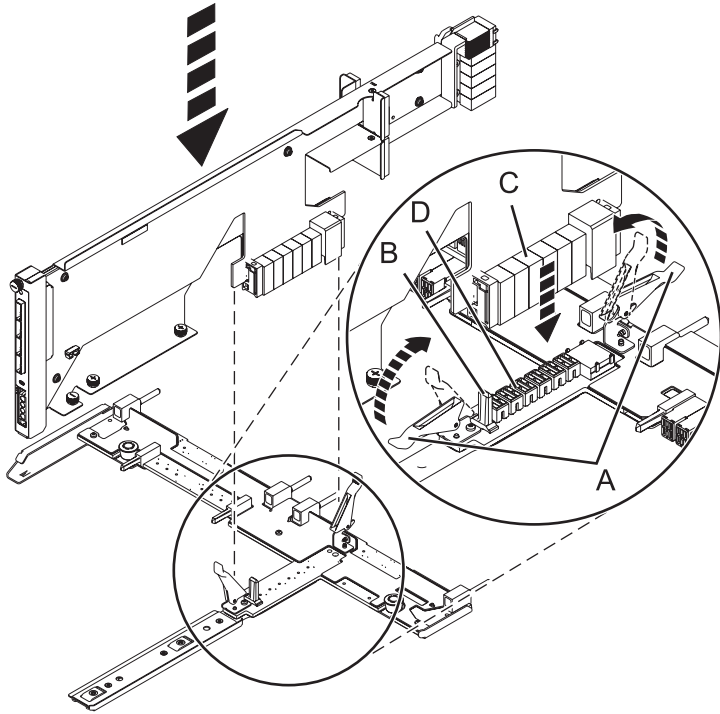


Figure 78. Installing the SAS conduit card into the midplane

5. Complete the following steps to replace the midplane and SAS conduit card into the system:
 - a. Align the midplane with the track and ensure that the slot **(A)** on the midplane attaches to the post **(B)** in the system.
 - b. Secure the thumbscrews **(C)** and **(D)** on the SAS conduit card.
 - c. Secure the thumbscrews **(E)** on the sides of the midplane.

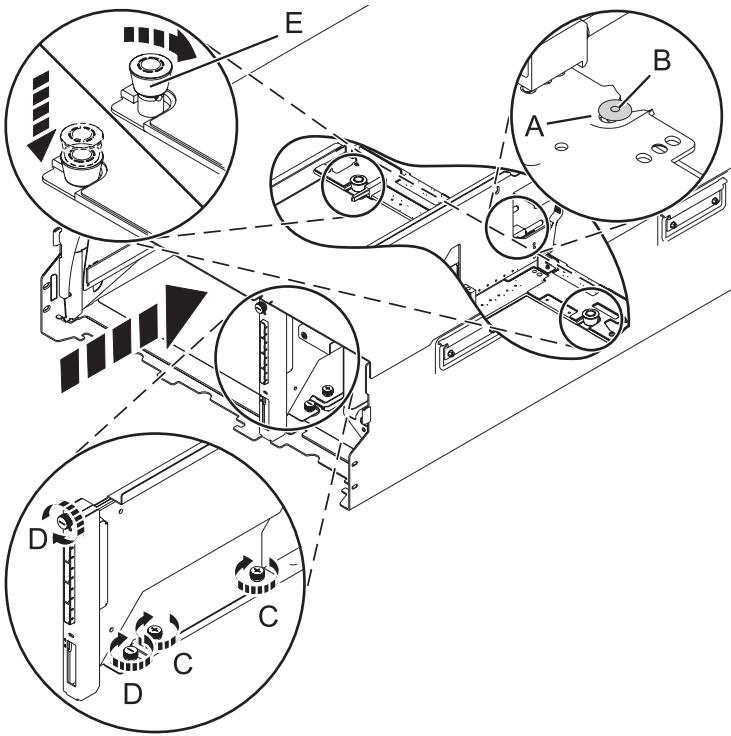


Figure 79. Installing the SAS conduit card and the midplane

6. Attach the power cord cover and secure the thumbscrew (A) to the system.

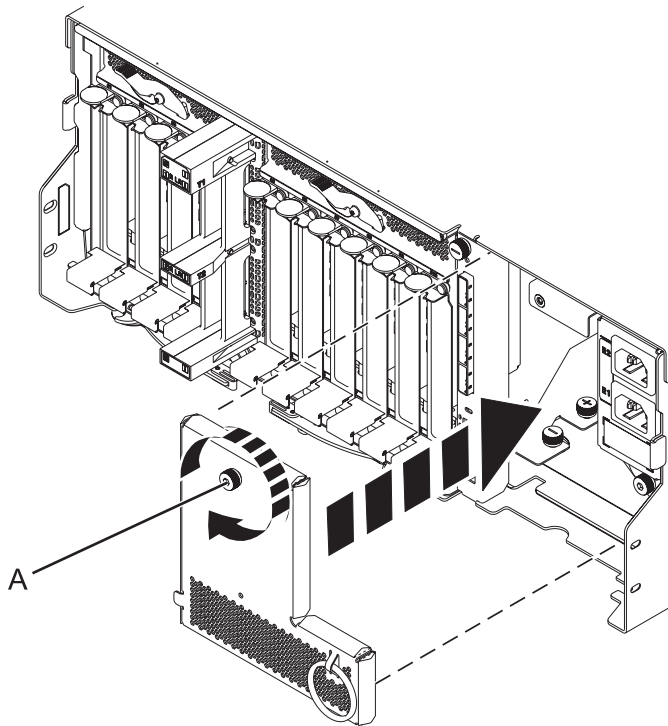


Figure 80. Installing the power cord plate

7. Carefully slide the enclosure management controller into the system and close the latch (A) as shown in Figure 81.

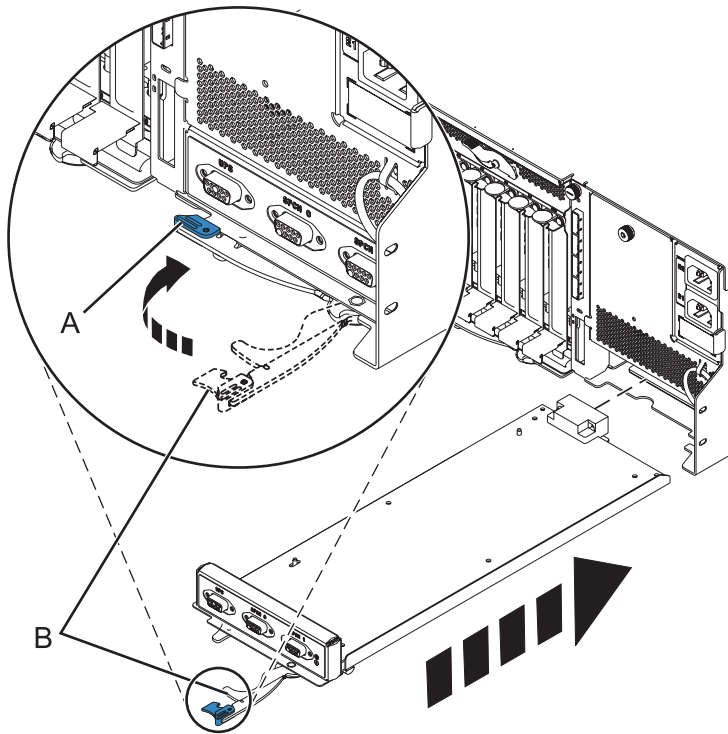


Figure 81. Replacing the enclosure management controller

8. Carefully lift and align the I/O system board with the slot at the rear of the expansion unit.
9. Insert the I/O system board firmly into the server, as shown in Figure 82 on page 98.
10. Secure the I/O system board with the locking tabs (A), as shown in Figure 82 on page 98.

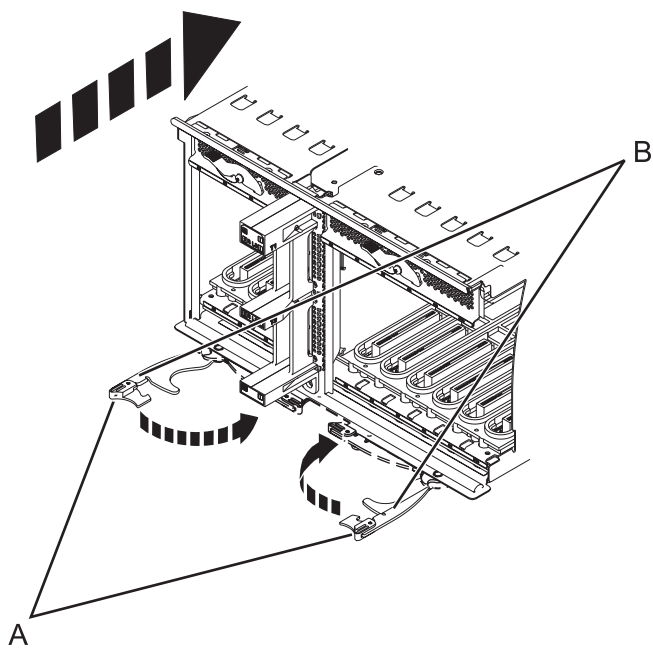


Figure 82. Install the I/O system board on a rack-mounted model

11. To replace the power supply, with the locking handle (A) in the open position, push the power supply into the expansion unit as shown in Figure 83 on page 99.
12. Close the locking handle (A) until the power supply locks into position.

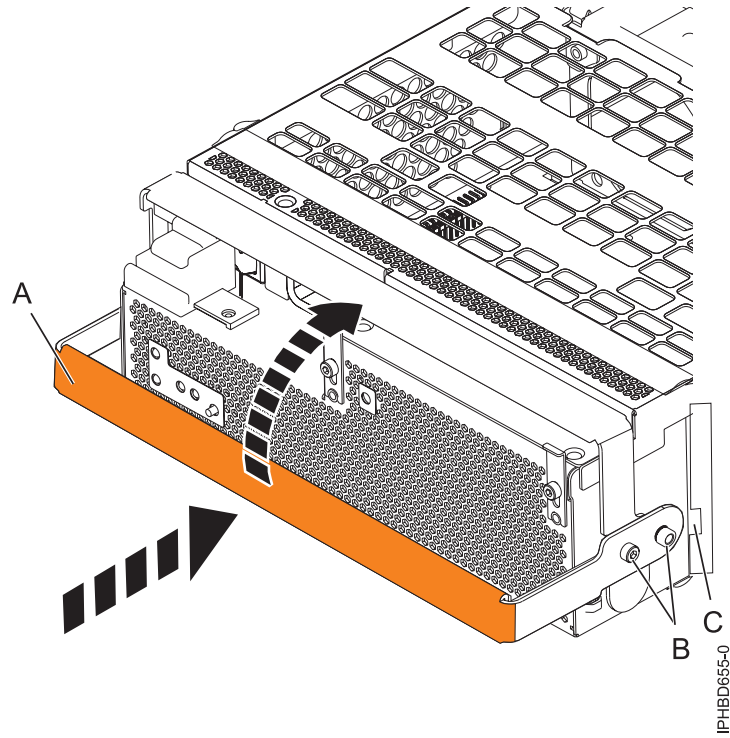


Figure 83. Replacing a power supply

13. To replace the disk drive backplane, lift the backplane along the two sides and align the backplane with the guide rails in the expansion unit.

CAUTION:

The backplane can be heavy to lift. Ensure that you can safely complete this task before you begin.

14. Using your hand to support the bottom of the backplane, slide it into the expansion unit as shown in Figure 84 on page 100.
15. Secure the backplane in place by moving the locking tabs from the open position (**B**) to the locked position (**A**).

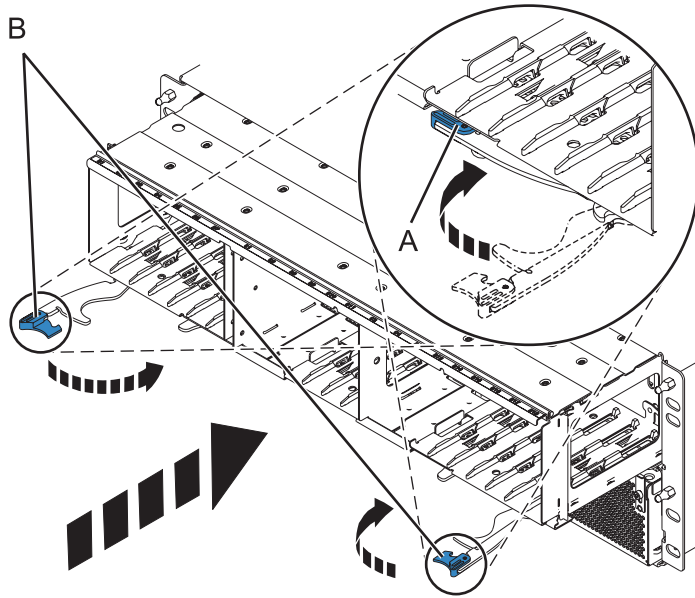
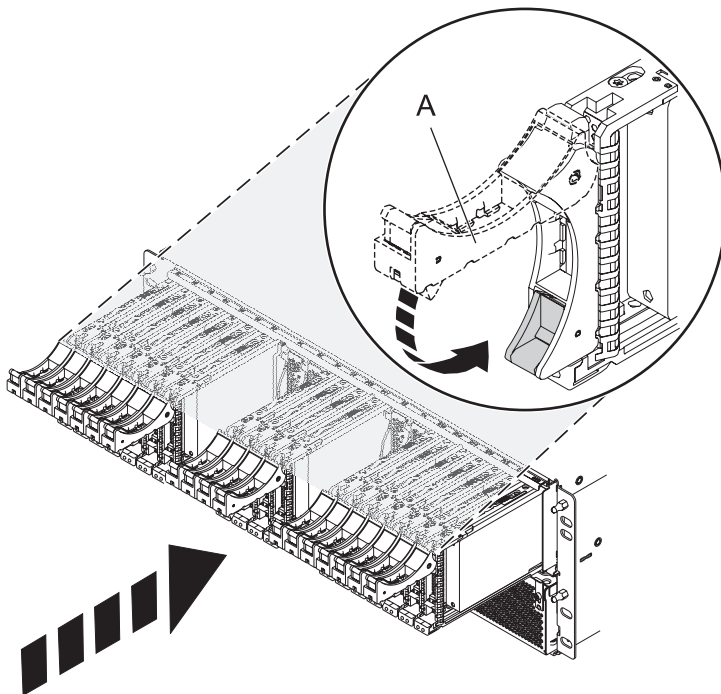
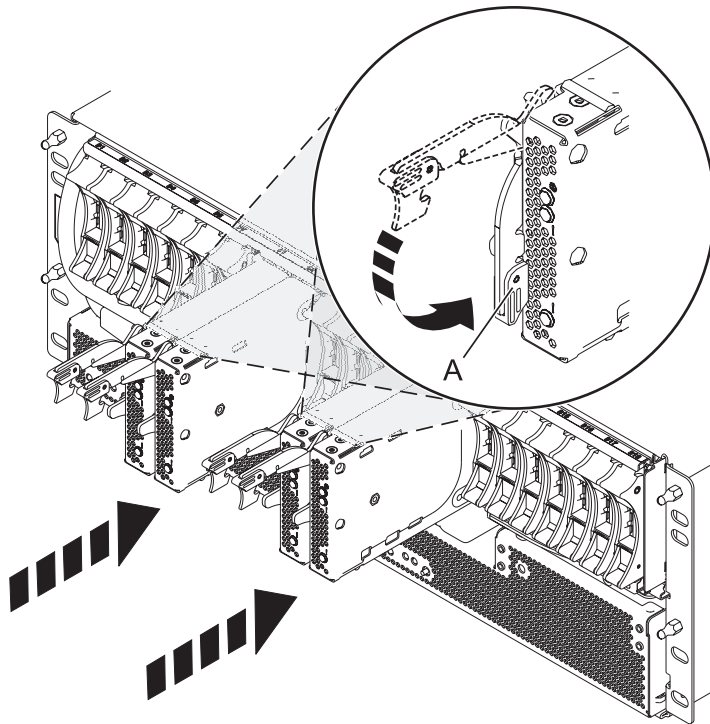


Figure 84. Installing the backplane on a rack-mounted model

16. Replace all disk drive units and fillers, if you had removed them earlier.
 - a. Support the bottom of the disk drive unit as you align it with the guide rails in the backplane.
 - b. Slide the disk drive unit all the way into the backplane.
 - c. Push the handle (A) toward the disk drive unit to lock it into place.



17. Replace all expander cards and fillers, if you had removed them earlier.
 - a. Supporting the bottom of the expander card with your hand, align it with the guide rails in the backplane.
 - b. Slide the expander card all the way into the backplane.
 - c. Push the handle **(A)** toward the card to lock it into place.



18. Start the system. For instructions, see Starting the system or logical partition.

Continue with any other service actions you are required to complete.

- For information about connecting the system, see Connecting the expansion units.
- For information about installing the PCI adapters into the system board, see Model 5802 and 5877 expansion units, PCI adapters, and cassettes.

Removing a SAS conduit card from a 5802 expansion unit with the power turned off

Learn how to remove a SAS conduit card from a 5802 rack-mounted expansion unit if you must replace a failing part with the power turned off.

Complete the following steps to remove a SAS conduit card from a 5802 rack-mounted expansion unit:

1. Complete the prerequisite tasks. For instructions, see “Before you begin” on page 113.
2. Identify the card you want to remove. For information, see “Identifying a part” on page 115.
3. Stop the system or logical partition. For instructions, see “Stopping a system or logical partition” on page 123.
4. Remove the drives and fillers as shown in Figure 85 on page 102.
 - a. Squeeze the latch of the drive and pull the handle **(A)** toward you to release the drive.
 - b. Support the bottom of the drive with your hand and slide the drive out of the backplane.

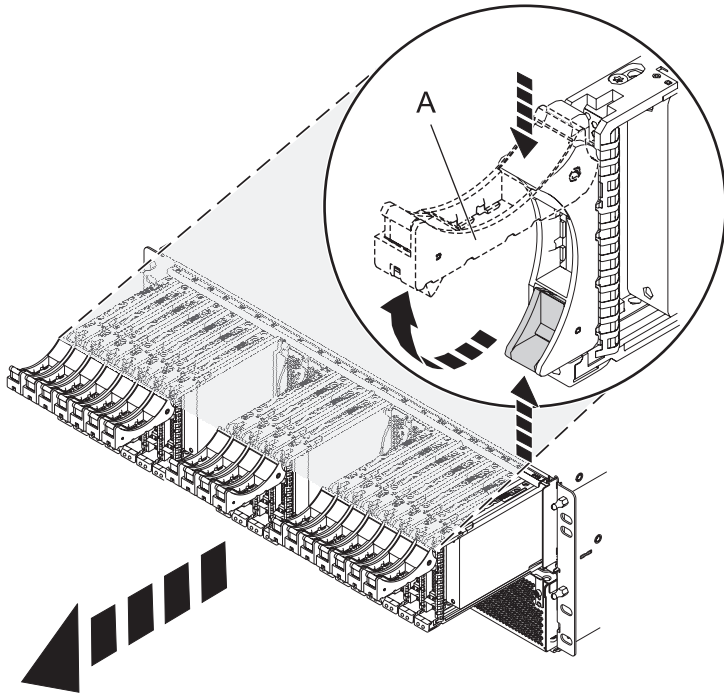


Figure 85. Removing the drives from the backplane

5. Remove the port cards and fillers as shown in Figure 86 on page 103.
 - a. Hold the end of the latching handle (**A**) and pull it upward to unlock the port card.
 - b. Using your hand to support the bottom of the port card, slide the port card out of the backplane.
 - c. Place the port card on an electrostatic discharge (ESD) surface.

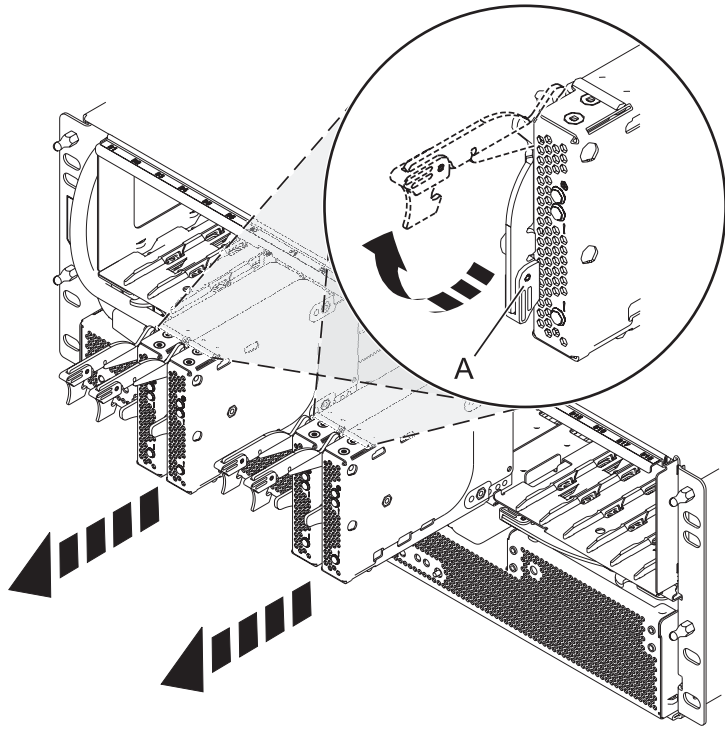


Figure 86. Removing the port card from the backplane

6. Remove the backplane as shown in Figure 87 on page 104.

CAUTION:

The backplane might be heavy. Ensure that you can safely complete the procedure.

- a. Squeeze the blue latches (**A**) to unlock the handles.
- b. Pull the handles (**B**) outward in the direction shown to release the backplane.
- c. Slide the backplane out of the enclosure and use your hand to support the bottom of the backplane.

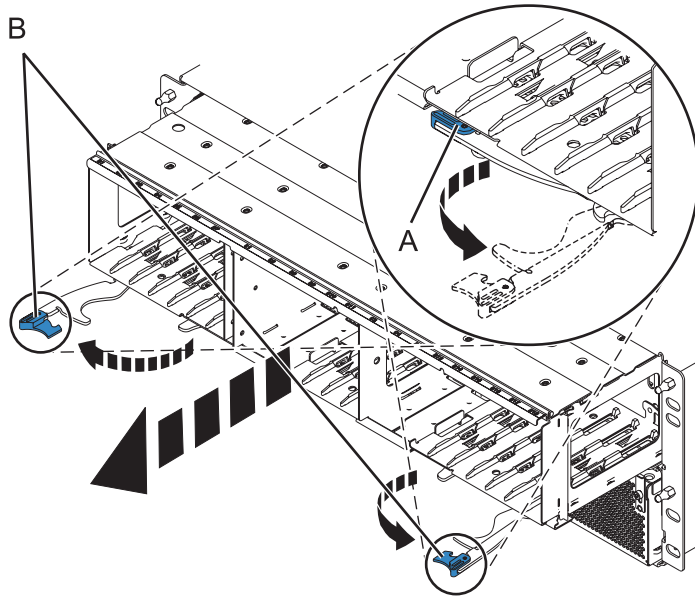


Figure 87. Removing the backplane from the enclosure

7. Disconnect both the offline converter assembly (OCA) power cords by completing the following steps:
 - a. Slide the power cord holders **(A)** to the left, located on the front of both the OCAs. See Figure 88 on page 105.
 - b. Label and disconnect both the OCA power cords **(B)** from each OCA.

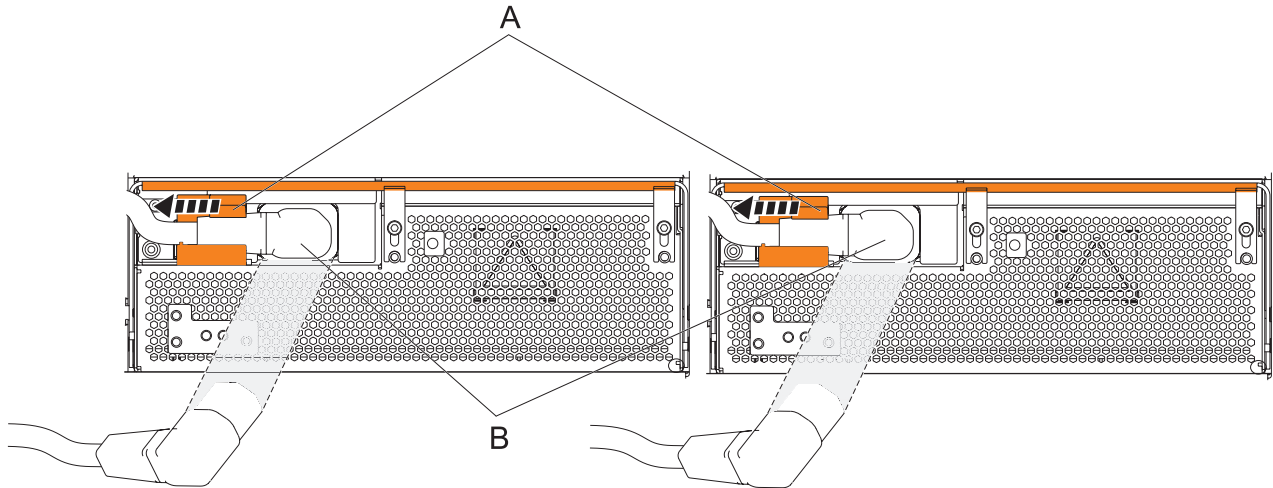


Figure 88. Disconnecting the OCA power cords

8. Remove the offline converter assemblies by completing the following steps:
 - a. Pull the OCA handle (A) all the way down in the direction shown to unseat the OCA. See Figure 89 on page 106.
 - b. Hold both sides of the OCA and pull it out of the enclosure.

Note: Use both the hands to support the OCA as you pull it out of the enclosure.
 - c. Repeat these steps to remove both OCAs.

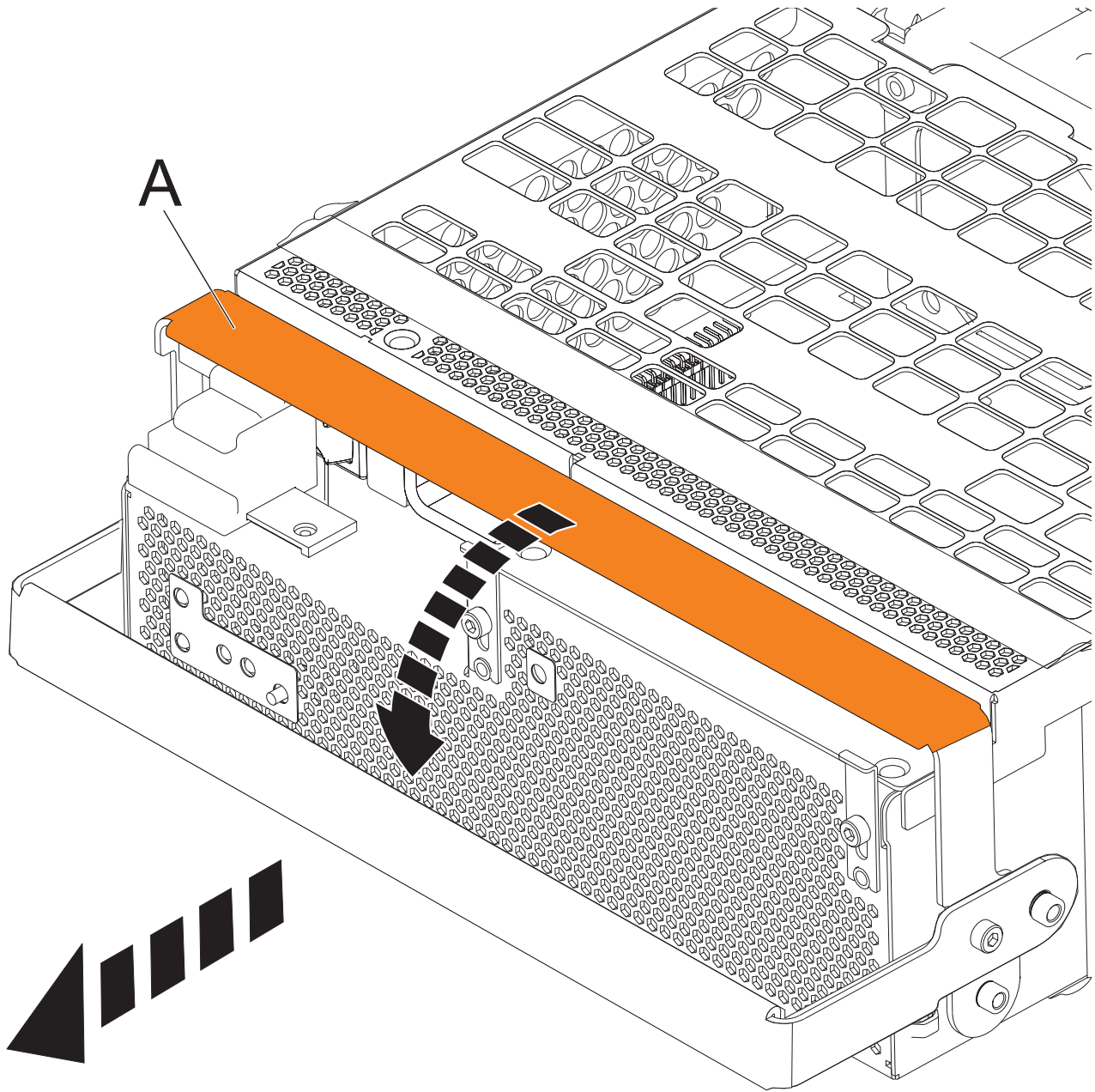


Figure 89. Remove the offline converter assemblies

9. Remove the enclosure management controller by completing the following steps:
 - a. Label and disconnect any cables connected to the enclosure management controller card.
 - b. Pinch the latch (A) to unlock the handle (B). See Figure 90 on page 107.
 - c. Pull the handle outward in the direction shown to unseat the EMC card.
 - d. Slide the enclosure management controller card straight out of the enclosure.

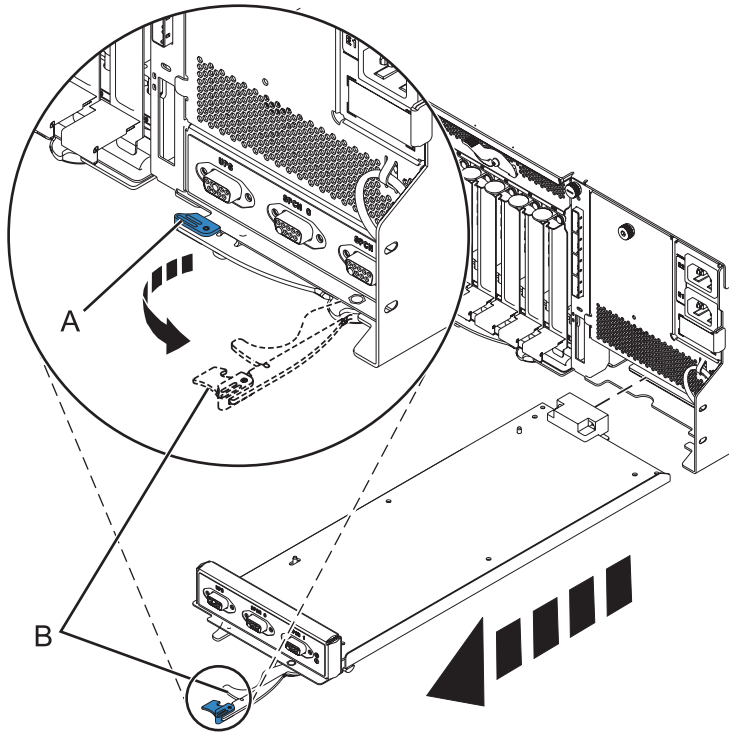


Figure 90. Remove the enclosure management controller

10. Remove the power cord plate by turning the thumbscrew (A) and pulling the plate away from the system, as shown in Figure 91.

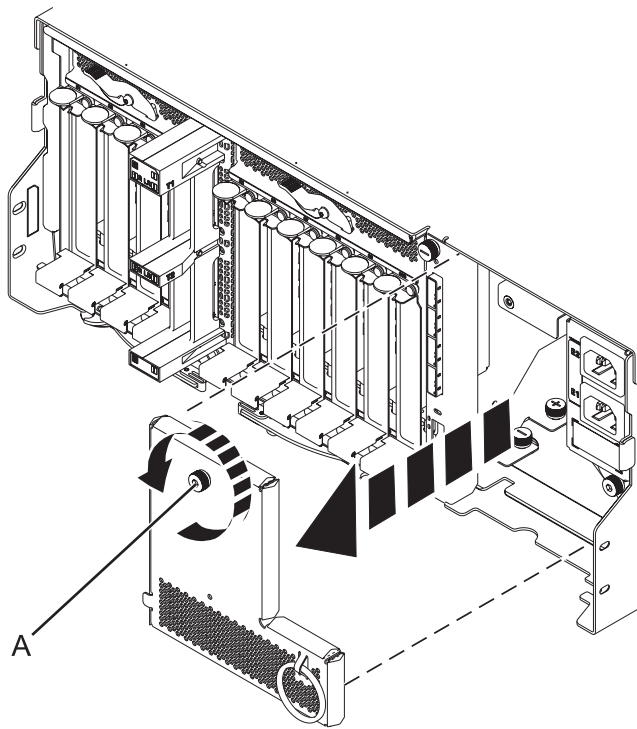


Figure 91. Removing the power cord plate

11. Disconnect the cables from the back of the I/O system board.

12. Squeeze the release latches (**A**) and pull the levers (**B**) out away from the system, as shown in Figure 92.

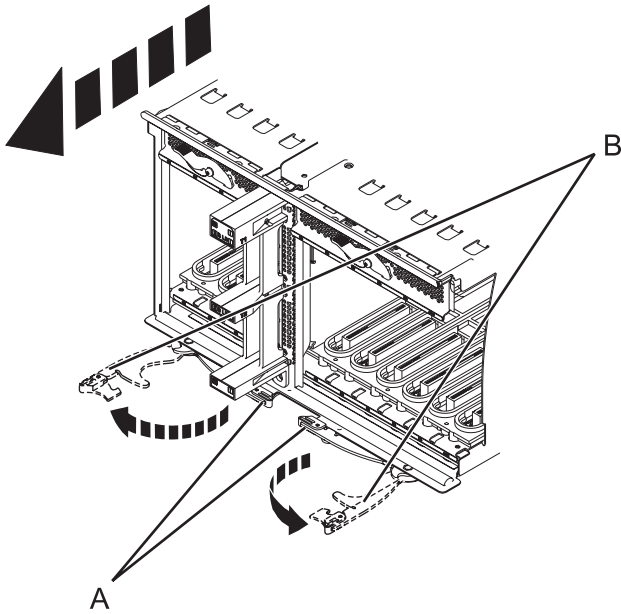


Figure 92. Removing the I/O system board

13. Slide the system board out of the system.
14. Remove the SAS conduit card and midplane from the enclosure by doing the following steps:
 - a. Pull the spring plungers (**A**) up and turn them one quarter to the left.
 - b. Turn the captive screws (**B**) and (**C**) counterclockwise until they are completely loosened.
 - c. Pull the SAS conduit and midplane component out of the enclosure.

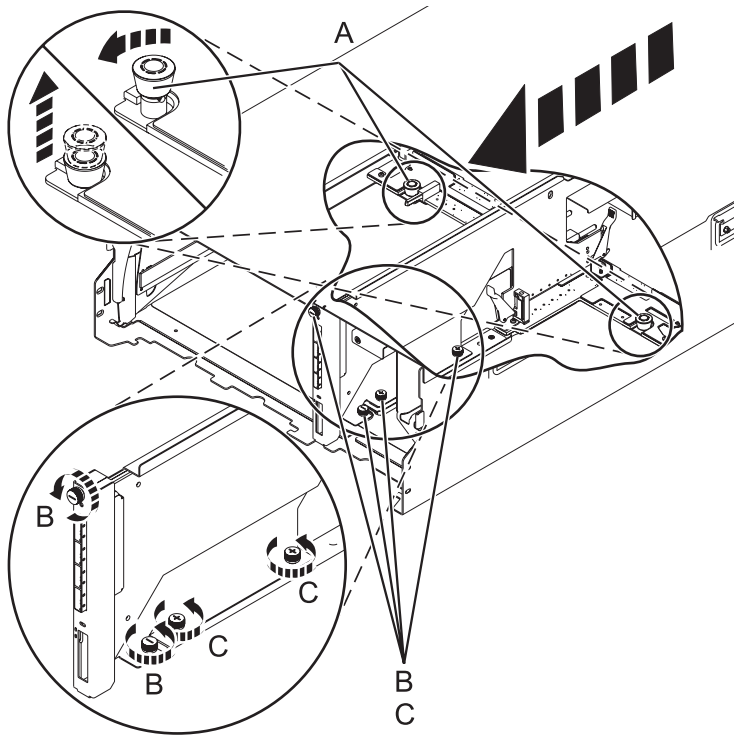


Figure 93. Removing the SAS conduit card and midplane

15. Push the handles (A) on the conduit card down to disengage the card from the midplane, and remove the card.

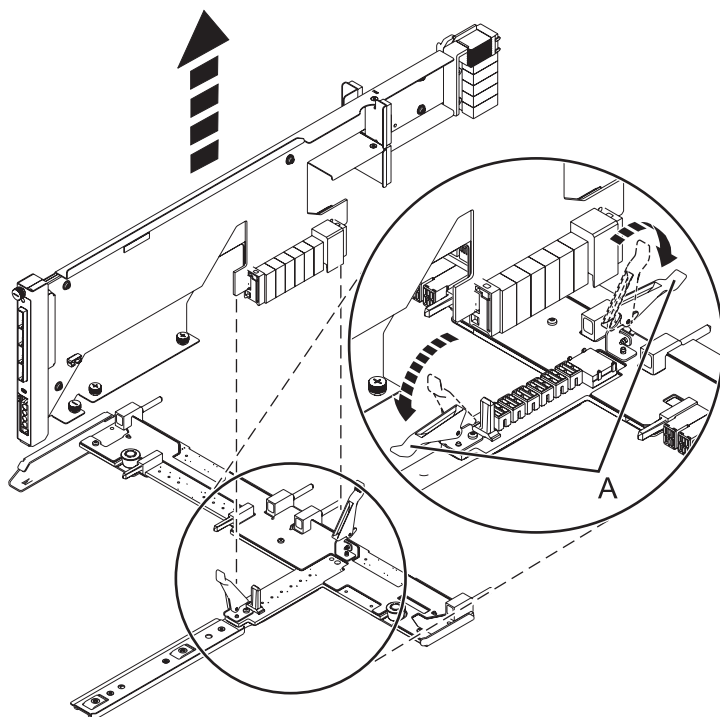


Figure 94. Removing the SAS conduit card from the midplane

Continue with replacing the SAS expander card or return to the procedure that sent you here.

Replacing a SAS expander card in a 5802 expansion unit with the power turned off

Learn how to replace a SAS expander card in a 5802 expansion unit with the power turned off.

Review the requirements in *Before you begin*.

1. Before installing or reinstalling a SAS expander card, inspect the signal connector pins to ensure that the pins are not bent or damaged.

Attention: Bent pins damage the backplane receptacle. Be careful not to touch or damage the signal connector pins.

2. Slide the card completely into the slot and push the lever (**A**) down to secure the card as shown in the following figure.

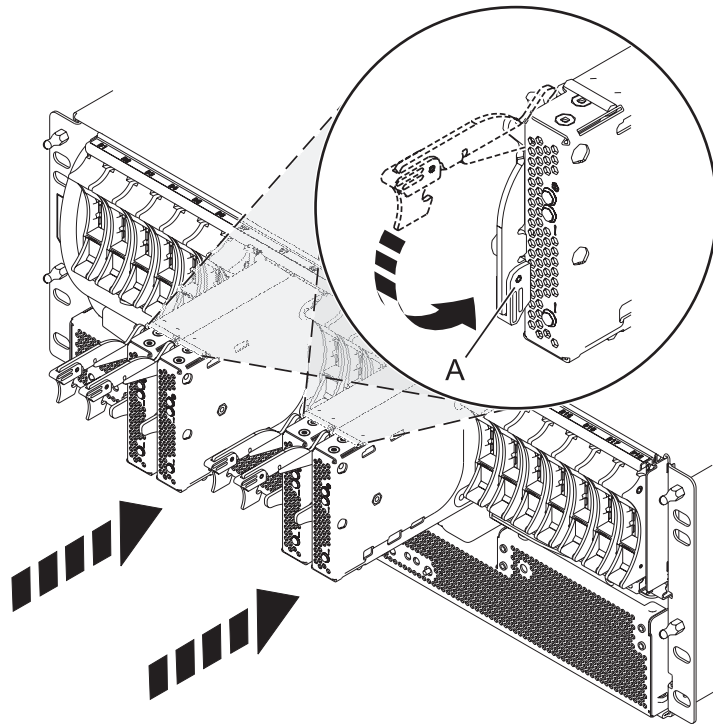


Figure 95. Installing the SAS expander card

3. Start the system. For instructions see, *Starting the system or logical partition*.
4. Verify the presence of the newly installed card. For instructions, see *Verifying the installed part*.

Continue with any other service actions you need to perform.

Removing a SAS expander card from a 5802 expansion unit with power turned off

Learn how to remove a SAS expander card from a 5802 (rack-mounted) expansion unit if you need to replace a failing part with power turned off.

1. Complete the prerequisite tasks. For instructions, see “*Before you begin*” on page 113.
2. Identify the card you are going to remove. For information, see “*Identifying a part*” on page 115.
3. Lift the handle (**A**) and pull the card out of the system, as shown in the following figure.

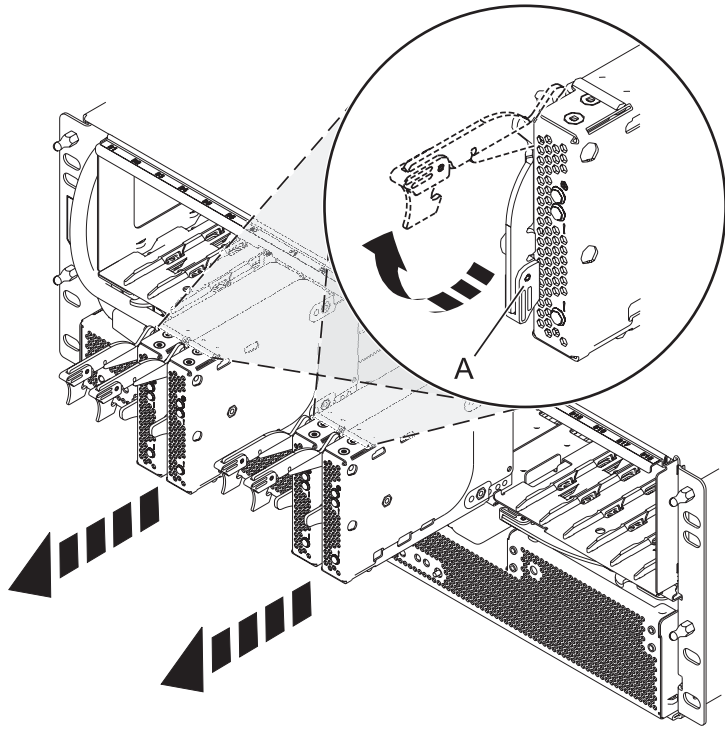


Figure 96. Removing the SAS expander card.

Continue with replacing the SAS expander card or return to the procedure that sent you here.

Common procedures for installable features

This section contains all the common procedures that are related to installing, removing, and replacing features.

Before you begin

Observe these precautions when you are installing, removing, or replacing features and parts.

These precautions are intended to create a safe environment to service your system and do not provide steps for servicing your system. The installation, removal, and replacement procedures provide the step-by-step processes required to service your system.

DANGER

When working on or around the system, observe the following precautions:

Electrical voltage and current from power, telephone, and communication cables are hazardous. To avoid a shock hazard:

- Connect power to this unit only with the IBM provided power cord. Do not use the IBM provided power cord for any other product.
- Do not open or service any power supply assembly.
- Do not connect or disconnect any cables or perform installation, maintenance, or reconfiguration of this product during an electrical storm.
- The product might be equipped with multiple power cords. To remove all hazardous voltages, disconnect all power cords.
- Connect all power cords to a properly wired and grounded electrical outlet. Ensure that the outlet supplies proper voltage and phase rotation according to the system rating plate.
- Connect any equipment that will be attached to this product to properly wired outlets.
- When possible, use one hand only to connect or disconnect signal cables.
- Never turn on any equipment when there is evidence of fire, water, or structural damage.
- Disconnect the attached power cords, telecommunications systems, networks, and modems before you open the device covers, unless instructed otherwise in the installation and configuration procedures.
- Connect and disconnect cables as described in the following procedures when installing, moving, or opening covers on this product or attached devices.

To Disconnect:

1. Turn off everything (unless instructed otherwise).
2. Remove the power cords from the outlets.
3. Remove the signal cables from the connectors.
4. Remove all cables from the devices.

To Connect:

1. Turn off everything (unless instructed otherwise).
2. Attach all cables to the devices.
3. Attach the signal cables to the connectors.
4. Attach the power cords to the outlets.
5. Turn on the devices.

(D005)

DANGER

Observe the following precautions when working on or around your IT rack system:

- Heavy equipment—personal injury or equipment damage might result if mishandled.
- Always lower the leveling pads on the rack cabinet.
- Always install stabilizer brackets on the rack cabinet.
- To avoid hazardous conditions due to uneven mechanical loading, always install the heaviest devices in the bottom of the rack cabinet. Always install servers and optional devices starting from the bottom of the rack cabinet.
- Rack-mounted devices are not to be used as shelves or work spaces. Do not place objects on top of rack-mounted devices.



- Each rack cabinet might have more than one power cord. Be sure to disconnect all power cords in the rack cabinet when directed to disconnect power during servicing.
- Connect all devices installed in a rack cabinet to power devices installed in the same rack cabinet. Do not plug a power cord from a device installed in one rack cabinet into a power device installed in a different rack cabinet.
- An electrical outlet that is not correctly wired could place hazardous voltage on the metal parts of the system or the devices that attach to the system. It is the responsibility of the customer to ensure that the outlet is correctly wired and grounded to prevent an electrical shock.

CAUTION

- Do not install a unit in a rack where the internal rack ambient temperatures will exceed the manufacturer's recommended ambient temperature for all your rack-mounted devices.
- Do not install a unit in a rack where the air flow is compromised. Ensure that air flow is not blocked or reduced on any side, front, or back of a unit used for air flow through the unit.
- Consideration should be given to the connection of the equipment to the supply circuit so that overloading of the circuits does not compromise the supply wiring or overcurrent protection. To provide the correct power connection to a rack, refer to the rating labels located on the equipment in the rack to determine the total power requirement of the supply circuit.
- *(For sliding drawers.)* Do not pull out or install any drawer or feature if the rack stabilizer brackets are not attached to the rack. Do not pull out more than one drawer at a time. The rack might become unstable if you pull out more than one drawer at a time.
- *(For fixed drawers.)* This drawer is a fixed drawer and must not be moved for servicing unless specified by the manufacturer. Attempting to move the drawer partially or completely out of the rack might cause the rack to become unstable or cause the drawer to fall out of the rack.

(R001)

Before you begin a replacement or installation procedure, perform these tasks:

1. If you are installing a new feature, ensure that you have the software required to support the new feature. See IBM Prerequisite.
2. If you are performing an installation or replacement procedure that might put your data at risk, ensure, wherever possible, that you have a current backup of your system or logical partition (including operating systems, licensed programs, and data).
3. Review the installation or replacement procedure for the feature or part.
4. Note the significance of color on your system.

Blue or terra-cotta on a part of the hardware indicates a touch point where you can grip the hardware to remove it from or install it in the system, open or close a latch, and so on. Terra-cotta might also indicate that the part can be removed and replaced with the system or logical partition power on.

5. Ensure that you have access to a medium flat-blade screwdriver, a Phillips screwdriver, and a pair of scissors.
6. If parts are incorrect, missing, or visibly damaged, do the following:
 - If you are replacing a part, contact the provider of your parts or next level of support.
 - If you are installing a feature, contact one of the following service organizations:
 - The provider of your parts or next level of support.
 - In the United States, the IBM Rochester Manufacturing Automated Information Line (R-MAIL) at 1-800-300-8751.

In countries and regions outside of the United States, use the following website to locate your service and support telephone numbers:

<http://www.ibm.com/planetwide>

7. If you encounter difficulties during the installation, contact your service provider, your IBM reseller, or your next level of support.
8. If you are installing new hardware in a logical partition, you need to understand and plan for the implications of partitioning your system. For information, see Logical Partitioning.

Identifying a part

Use these instructions to learn how to identify the location of a failed part, the location of a part to be removed, or the location to install a new part on your system or expansion unit using the appropriate method for your system.

For IBM Power Systems™ servers that contain the POWER7® processor, the light-emitting diodes (LEDs) can be used to identify or verify the location of a part that you are removing, servicing, or installing.

The combination identify and fault LED (amber color) shows the location of a field replaceable unit (FRU). When removing a FRU, first verify whether you are working on the correct FRU by using the identify function in the management console or other user interface. When removing a FRU by using the hardware management console, the identify function is activated and deactivated automatically at the correct times.

The identify function causes the amber LED to flash. When you turn off the identify function, the LED returns to the state it was previously. For parts that have a blue service button, the identify function sets LED information for the service button so that when the button is pressed, the correct LEDs on that part flash.

If you need to use the identify function, use the following procedures.

Control panel LEDs

Use this information as a guide to the control panel LEDs and buttons.

The control panel has LEDs that indicate various system status.

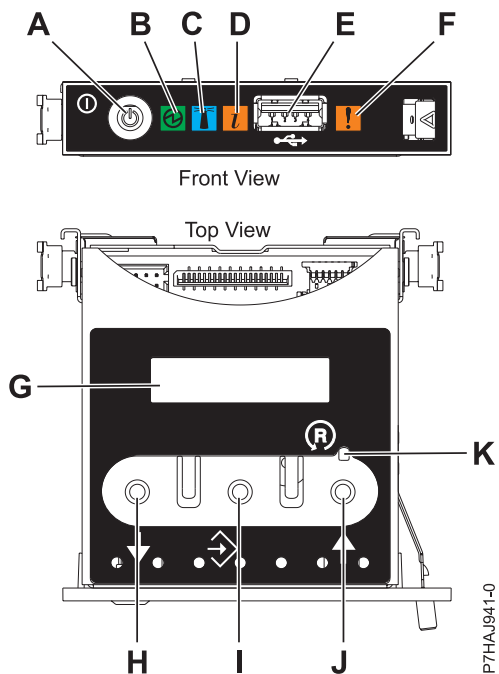


Figure 97. Control panel

- **A:** Power-on button
- **B:** Power LED
 - A constant light indicates full system power to the unit.
 - A flashing light indicates standby power to the unit.

Note: There is approximately a 30-second transition period from the time the power-on button is pressed to when the power LED goes from flashing to solid. During the transition period, the LED might flash faster.

- **C:** Enclosure identify light
 - A constant light indicates the identify state, which is used to identify a part.
 - No light indicates that the system is operating normally.
- **D:** System information light
 - No light indicates that the system is operating normally.
 - Light on indicates that the system requires attention.
- **E:** USB port
- **F:** Enclosure fault roll-up light
 - A constant light indicates a fault in the system unit.
 - No light indicates that the system is operating normally.
- **G:** Function/Data display
- **H:** Decrement button
- **I:** Enter button
- **J:** Increment button
- **K:** Pinhole reset button

Related concepts:

Identifying a failing part

Use these instructions to learn how to locate and identify a failing part on your system or expansion unit using the appropriate method for your system.

Identifying a failing part in an AIX system or logical partition

Use these instructions to learn how to locate a failing part, and then activate the indicator light for that part on a system or logical partition running the AIX operating system.

Locating a failing part in an AIX system or logical partition

You might need to use AIX tools, before activating the indicator light, to locate a part that is failing.

1. Log in as root user or celogin-.
2. At the command line, type `diag` and press Enter.
3. From the Function Selection menu, select **Task Selection** and press Enter.
4. Select **Display Previous Diagnostic Results** and press Enter.
5. From the Display Previous Diagnostic Results display, select **Display Diagnostic Log Summary**. The Display Diagnostic Log display shows a chronological list of events.
6. Look in the **T** column for the most recent **S** entry. Select this row in the table and press Enter.
7. Select **Commit**. The details of this log entry are shown.
8. Record the location information and the SRN value shown near the end of the entry.
9. Exit to the command line.

Use the location information for the failing part to activate the indicator light that identifies the failing part. See “Activating the indicator light for the failing part.”

Activating the indicator light for the failing part

Use these instructions to help physically identify the location of a part you are servicing.

To activate the indicator light for a failing part, complete the following steps:

1. Log in as root user.
2. At the command line, type `diag` and press Enter.
3. From the **Function Selection** menu, select **Task Selection** and press Enter.
4. From the **Task Selection** menu, select **Identify and Attention Indicators** and press Enter.
5. From the list of lights, select the location code for the failing part and press Enter.
6. Select **Commit**. This turns on the system attention and indicator light for the failing part.
7. Exit to the command line.

Deactivating the failing-part indicator light

Use this procedure to turn off any indicator light that you turned on as a part of a service action.

To deactivate the indicator light, complete the following steps:

1. Log in as root user.
2. At the command line, type `diag` and press Enter.
3. From the **Function Selection** menu, select **Task Selection** and press Enter.
4. From the **Task Selection** menu, select **Identify and Attention Indicators** and press Enter.
5. From the list of lights, select the location code for the failing part and press Enter. When a light is activated for a failing part, an **I** character precedes the location code.
6. Select **Commit**. This turns off the system attention and indicator light for the failing part.
7. Exit to the command line.

Identifying a failing part in an IBM i system or logical partition

You can activate or deactivate the indicator light by using IBM i to assist in locating a failing part.

Activating the failing-part indicator light

You can search the service action log for an entry that matches the time, reference code, or resource of a problem, and then activate the indicator light for a failing part.

1. Sign on to an IBM i session, **with at least service level authority**.
2. On the command line of the session, type `strsst` and press Enter.

Note: If you cannot get to the System Service Tools display, use function 21 from the control panel. Alternatively, if the system is managed by a Hardware Management Console (HMC), use the Service Focal Point™ utilities to get to the Dedicated Service Tools (DST) display.

3. Type your service tools user ID and service tools password on the System Service Tools (SST) Sign On display and press Enter.

Remember: The service tools password is case-sensitive.

4. Select **Start a service tool** from the System Service Tools (SST) display and press Enter.
5. Select **Hardware service manager** from the Start a Service Tool display and press Enter.
6. Select **Work with service action log** from the Hardware Service Manager display and press Enter.
7. On the Select Timeframe display, change the **From: Date and Time** field to a date and time prior to when the problem occurred.
8. Search for an entry that matches one or more conditions of the problem:
 - System reference code
 - Resource
 - Date and time
 - Failing item list
9. Select option 2 (Display failing item information) to display the service action log entry.
10. Select option 2 (Display details) to display location information for the failing part to be replaced. The information displayed in the date and time fields is the date and time for the first occurrence of the specific system reference code for the resource displayed during the time range selected.
11. If location information is available, select option 6 (Indicator on) to turn on the failing part's indicator light.

Tip: If the failing part does not contain a physical indicator light, a higher-level indicator light is activated. For example, the indicator light for the backplane or unit that contains the failing part might be lit. In this case, use the location information to locate the actual failing part.

12. Look for the enclosure indicator light to locate the enclosure that contains the failing part.

Deactivating the failing-part indicator light

Use this procedure to turn off any indicator light that you turned on as a part of a service action.

To deactivate the indicator light, follow these steps:

1. Sign on to an IBM i session, **with at least service level authority**.
2. On the command line of the session, type `strsst` and press Enter.

Note: If you cannot get to the System Service Tools display, use function 21 from the control panel. Alternatively, if the system is managed by a Hardware Management Console (HMC), use the Service Focal Point utilities to get to the Dedicated Service Tools (DST) display.

3. Type your service tools user ID and service tools password on the System Service Tools (SST) Sign On display and press Enter.

Remember: The service tools password is case-sensitive.

4. Select **Start a service tool** from the System Service Tools (SST) display and press Enter.
5. Select **Hardware service manager** from the Start a Service Tool display and press Enter.

6. Select **Work with service action log** from the Hardware Service Manager display and press Enter.
7. On the Select Timeframe display, change the **From: Date and Time** field to a date and time prior to when the problem occurred.
8. Search for an entry that matches one or more conditions of the problem:
 - System reference code
 - Resource
 - Date and time
 - Failing item list
9. Select option 2 (Display failing item information) to display the service action log entry.
10. Select option 2 (Display details) to display location information for the failing part to be replaced. The information displayed in the date and time fields is the date and time for the first occurrence of the specific system reference code for the resource displayed during the time range selected.
11. Select option 7 (Indicator off) to turn off the indicator light.
12. Select the **Acknowledge all errors** function at the bottom of the Service Action Log display, if all problems have been resolved.
13. Close the log entry by selecting option 8 (Close new entry) on the Service Action Log Report display.

Identifying a failing part in a Linux system or logical partition

If the service aids have been installed on a system or logical partition, you can activate or deactivate the indicator lights to locate a part or complete a service action.

Locating a failing part in a Linux system or logical partition

If the service aids have been installed on a system or logical partition, you need to activate the indicator lights to locate a part.

To activate the indicator light, follow these steps:

1. Log in as root user.
2. At the command line, type `/usr/sbin/usysident -s identify -l location_code` and press Enter.
3. Look for the system attention light to identify the enclosure that contains the failing part.

Related information:

 Service and productivity tools for PowerLinux servers from IBM

IBM provides hardware diagnostic aids and productivity tools, and installation aids for Linux operating systems on IBM Power Systems servers.

Finding the location code of a failing part in a Linux system or logical partition

To retrieve the location code of the failing part, if you do not know the location code, use the procedure in this topic.

To locate the failing part in a system or logical partition, follow these steps:

1. Log in as root user.
2. At the command line, type `grep diagela /var/log/platform` and press Enter.
3. Look for the most recent entry that contains a system reference code (SRC).
4. Record the location information.

Related information:

 Service and productivity tools for PowerLinux servers from IBM

IBM provides hardware diagnostic aids and productivity tools, and installation aids for Linux operating systems on IBM Power Systems servers.


Activating the indicator light for the failing part

If you know the location code of the failing part, activate the indicator light to help you locate which part to replace.

To activate the indicator light, follow these steps:

1. Log in as root user.
2. At the command line, type `/usr/sbin/usysident -s identify -l location_code` and press Enter.
3. Look for the system attention light to identify the enclosure that contains the failing part.

Related information:

 Service and productivity tools for PowerLinux servers from IBM

IBM provides hardware diagnostic aids and productivity tools, and installation aids for Linux operating systems on IBM Power Systems servers.

Deactivating the failing-part indicator light

After you complete a removal and replacement procedure, you must deactivate the failing-part indicator light.

To deactivate the indicator light, follow these steps:

1. Log in as root user.
2. At the command line, type `/usr/sbin/usysident -s normal -l location_code` and press Enter.

Related information:

 Service and productivity tools for PowerLinux servers from IBM

IBM provides hardware diagnostic aids and productivity tools, and installation aids for Linux operating systems on IBM Power Systems servers.

Locating a failing part in a Virtual I/O Server system or logical partition

You can use Virtual I/O Server (VIOS) tools, before activating the indicator light, to locate a part that is failing.

To locate the failing part, follow these steps:

1. Log in as root user or `celogin-`.
2. At the command line, type `diagmenu` and press Enter.
3. From the **Function Selection** menu, select **Task Selection** and press Enter.
4. Select **Display Previous Diagnostic Results** and press Enter.
5. From the **Display Previous Diagnostic Results** display, select **Display Diagnostic Log Summary**. A **Display Diagnostic Log** display appears. This display contains a chronological list of events.
6. Look in the **T** column for the most recent **S** entry. Select this row in the table and press Enter.
7. Choose **Commit**. The details of this log entry are shown.
8. Record the location information and the SRN value shown near the end of the entry.
9. Exit to the command line.

Use the location information for the failing part to activate the indicator light that identifies the failing part. For instructions, see “Identifying a part by using the Virtual I/O Server.”

Identifying a part by using the Virtual I/O Server

You can use Virtual I/O Server (VIOS) tools to physically locate a part.

To turn on the indicator light for identifying a part, follow these steps:

1. Log in as root user.
2. At the command line, type `diagmenu` and press Enter.

3. From the **Function Selection** menu, select **Task Selection** and press Enter.
4. From the **Task Selection** menu, select **Identify and Attention Indicators** and press Enter.
5. From the list of lights, select the location code for the failing part and press Enter.
6. Select **Commit**. This turns on the system attention and indicator light for the failing part.
7. Exit to the command line.

Starting the system or logical partition

Learn how to start a system or logical partition after performing a service action or system upgrade.

Starting a system that is not managed by an HMC or an SDMC

You can use the power button or the Advanced System Management Interface (ASMI) to start a system that is not managed by a Hardware Management Console (HMC) or an IBM Systems Director Management Console (SDMC).

To start a system that is not managed by a HMC or SDMC, follow these steps:

1. Open the front rack door, if necessary.
2. Before you press the power button on the control panel, ensure that power is connected to the system unit as follows:
 - All system power cables are connected to a power source.
 - The power LED, as shown in the following figure, is slowly flashing.
 - The top of the display, as shown in the following figure, shows 01 V=F.
3. Press the power button (**A**), as shown in the following figure, on the control panel.

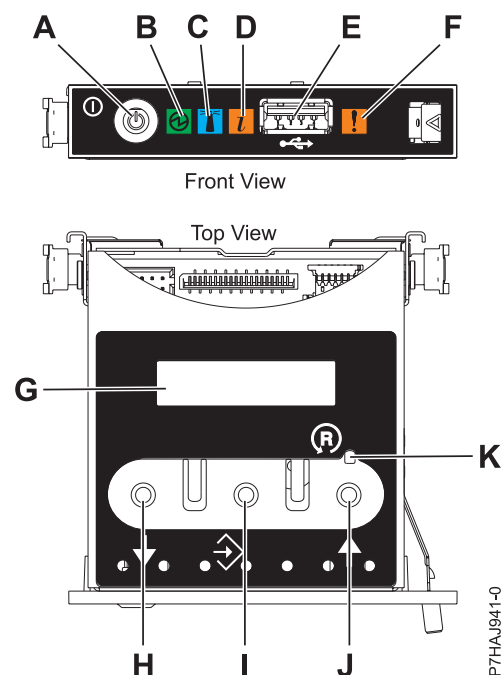


Figure 98. Control panel

- **A**: Power-on button
- **B**: Power LED
 - A constant light indicates full system power to the unit.
 - A flashing light indicates standby power to the unit.

Note: There is approximately a 30-second transition period from the time the power-on button is pressed to when the power LED goes from flashing to solid. During the transition period, the LED might flash faster.

- **C:** Enclosure identify light
 - A constant light indicates the identify state for the enclosure or for a resource within the enclosure.
 - No light indicates that no resources in the enclosure are being identified.
 - **D:** Attention light
 - No light indicates that the system is operating normally.
 - A solid light indicates that the system requires attention.
 - **E:** USB port
 - **F:** Enclosure fault roll-up light
 - A constant light indicates a fault indicator active in the system.
 - No light indicates that the system is operating normally.
 - **G:** Function/Data display
 - **H:** Decrement button
 - **I:** Enter button
 - **J:** Increment button
 - **K:** Pinhole reset button
4. Observe the following aspects after pressing the power button:
- The power-on light begins to flash faster.
 - The system cooling fans are activated after approximately 30 seconds and begin to accelerate to operating speed.
 - Progress indicators, also referred to as checkpoints, appear on the control panel display while the system is being started. The power-on light on the control panel stops flashing and remains on, indicating that the system power is on.

Tip: If pressing the power button does not start the system, do the following steps to start the system by using the Advanced System Management Interface (ASMI):

1. Access the ASMI. For instructions, see *Accessing the ASMI without an HMC*.
2. Start the system by using the ASMI. For instructions, see *Powering the system on and off*.

Starting a system or logical partition by using the HMC

You can use the Hardware Management Console (HMC) to start the system or logical partition after the required cables are installed and the power cables are connected to a power source.

For instructions on working with the HMC, see *Managing the Hardware Management Console*. For instructions on starting a logical partition, see *Logical partitioning*. For instructions on starting the system, see *Powering on the managed system*.

Progress indicators, also referred to as checkpoints, appear on the control panel display while the system is being started. When the power-on light on the control panel stops blinking and remains on, the system power is on.

Starting a system or virtual server by using the SDMC

You can use the IBM Systems Director Management Console (SDMC) to start the system or virtual server after the required cables are installed and the power cables are connected to a power source.

For instructions on working with the SDMC, see Managing and configuring the SDMC. For instructions on starting a virtual server, see Managing virtual servers. For instructions on shutting down and restarting virtual servers, see Shutting down and restarting virtual servers.

Progress indicators, also known as checkpoints, display on the control panel while the system is being started. When the power-on light on the control panel stops flashing and remains on, the system power is on.

Stopping a system or logical partition

Learn how to stop a system or logical partition as a part of a system upgrade or service action.

Attention: Using either the power-on button on the control panel or entering commands at the Hardware Management Console (HMC) to stop the system can cause unpredictable results in the data files. Also, the next time you start the system, it might take longer if all applications are not ended before stopping the system.

To stop the system or logical partition, select the appropriate procedure.

Stopping a system that is not managed by an HMC or an SDMC

You might need to stop the system to perform another task. If your system is not managed by the Hardware Management Console (HMC) or the IBM Systems Director Management Console (SDMC), use these instructions to stop the system by using the power button or the Advanced System Management Interface (ASMI).

Before you stop the system, follow these steps:

1. If an Integrated xSeries Adapter (IXA) is present on the system, shut it down using IBM i options.
2. Ensure that all jobs are completed and end all applications.
3. Ensure that the operating system is stopped.
Attention: Failure to do so can result in the loss of data.
4. If a Virtual I/O Server (VIOS) logical partition is running, ensure that all clients are shut down or that the clients have access to their devices by using an alternate method.

The following procedure describes how to stop a system that is not managed by the HMC or the SDMC.

1. Log in to the system as a user with the authority to run the **shutdown** or **pwrdownsys** (Power Down System) command.
2. At the command line, enter one of the following commands:
 - If your system is running the AIX operating system, type **shutdown**.
 - If your system is running the Linux operating system, type **shutdown -h now**.
 - If your system is running the IBM i operating system, type **PWRDWN SYS**. If your system is partitioned, use the **PWRDWN SYS** command to power down each of the secondary partitions. Then, use the **PWRDWN SYS** command to power down the primary partition.

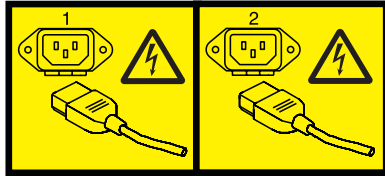
The command stops the operating system. The system power turns off, the power-on light begins to slowly flash, and the system goes into a standby state.

3. At the Linux command line, type **shutdown -h now**.
The command stops the operating system. The system power turns off, the power-on light begins to slowly flash, and the system goes into a standby state.
4. Record the IPL type and the IPL mode from the control panel display to help you return the system to this state when the installation or replacement procedure is completed.
5. Set the power switches of any devices connected to the system to off.

- Unplug any power cables that are attached to the peripheral devices, such as printers and expansion units.

Important: The system may be equipped with a second power supply. Before continuing with this procedure, ensure that all power sources to the system have been disconnected.

(L003)



or



Stopping a system by using the HMC

You can use the Hardware Management Console (HMC) to stop the system or a logical partition.

By default, the managed system is set to power off automatically when you shut down the last running logical partition on the managed system. If you set the managed system properties on the HMC so that the managed system does not power off automatically, you must use this procedure to power off your managed system.

Attention: If possible, shut down the running logical partitions on the managed system before powering off the managed system. Powering off the managed system without shutting down the logical partitions first causes the logical partitions to shut down abnormally and can cause data loss. If you use a Virtual I/O Server (VIOS) logical partition, ensure that all clients are shut down or that the clients have access to their devices using an alternate method.

To power off a managed system, you must be a member of one of the following roles:

- Super administrator
- Service representative
- Operator
- Product engineer

Use the following steps to stop the system by using the HMC:

1. In the navigation area, expand the **Systems Management** folder.
2. Click the **Servers** icon.
3. In the Contents area, select the managed system.
4. Select **Tasks > Operations > Power Off**.
5. Select the appropriate power-off mode and click **OK**.

Related information:

Shutting down and restarting logical partitions

Stopping a system by using the SDMC

You can use the IBM Systems Director Management Console (SDMC) to stop the system or a virtual server.

By default, the managed system is set to power off automatically when you shut down the last running virtual server on the managed system. If you set the managed system properties on the SDMC so that the managed system does not power off automatically, you must use this procedure to power off your managed system.

Attention: If possible, shut down the running virtual servers on the managed system before powering off the managed system. Powering off the managed system without shutting down the virtual servers first causes the virtual servers to shut down abnormally and can cause data loss. If you use a Virtual I/O Server (VIOS) logical partition, ensure that all clients are shut down or that the clients have access to their devices with an alternate method.

To power off a managed system, you must be a member of one of the following roles:

- Super administrator
- Service representative
- Operator
- Product engineer

Use the following steps to stop the system by using the SDMC.

1. In the Power Systems Resource area, select the managed system you want to power off.
2. From the **Actions** menu, select **Operations > Power Off**.
3. Select the appropriate power-off mode and click **OK**.

Removing and replacing covers for the 8233-E8B or 8236-E8C system

Use these instructions to remove, replace, or install covers so that you can access the hardware parts or perform service.

Removing the front cover from an 8233-E8B or 8236-E8C system

Use this procedure to remove the cover to access components or perform service.

To remove the front cover, follow these steps:

1. Remove the two screws **(A)** that secure the system to the rack **(B)** as shown in the following figure.
2. Pull the cover away from the system. The cover has an indentation where you can hold onto it more easily.

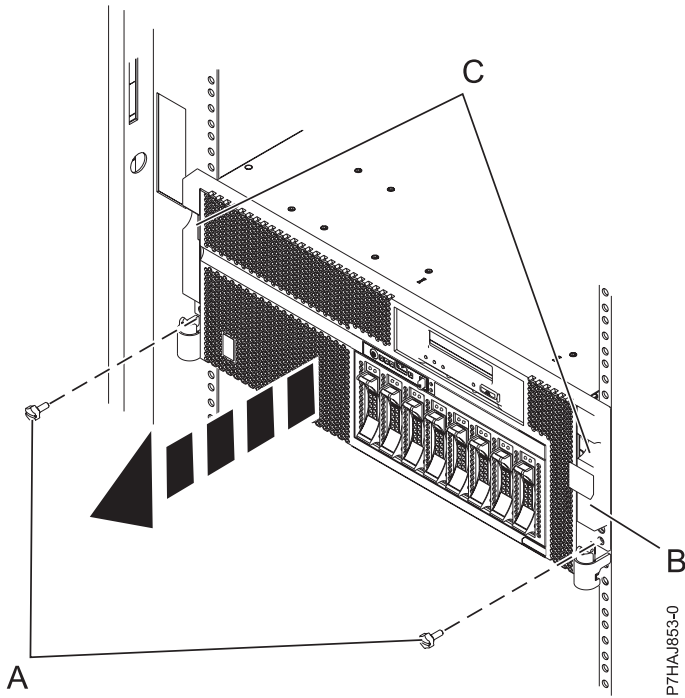


Figure 99. Removing the front cover

Installing the front cover on an 8233-E8B or 8236-E8C system

Use this procedure to install the cover after accessing components or performing service.

To install the front cover, follow these steps:

1. Align the cover with the system.
2. Gently push the cover in until the four cover clips are seated in their respective mounting posts (**B**) on the system.
3. Replace the two screws (**C**) that secure the system to the rack (**A**).

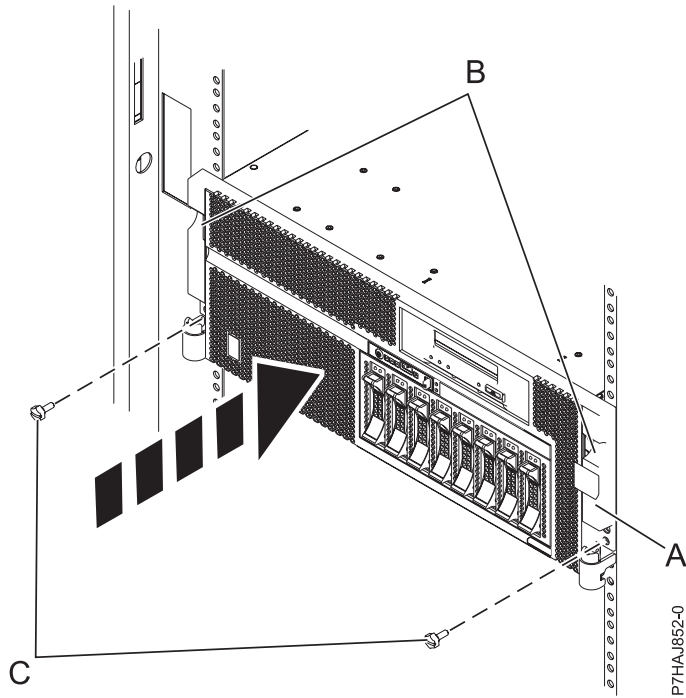


Figure 100. Installing the front cover

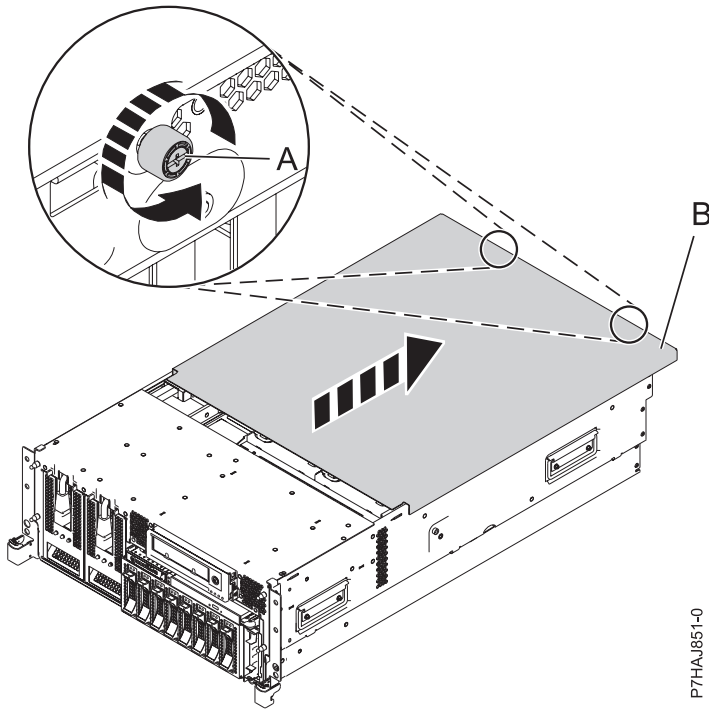
Removing the service access cover from an 8233-E8B or 8236-E8C system

Use this procedure to remove the service access cover to perform service or to gain access to internal components.

To remove the service access cover, follow these steps:

1. Place the system into the service position. For instructions, see Placing the 8233-E8B or 8236-E8C in the service position.
2. Loosen the two thumbscrews (**A**) located at the rear of the cover.
3. Slide the cover (**B**) toward the rear of the system unit. When the front of the service access cover clears the upper frame ledge, lift the cover up and off the system unit.

Attention: For proper cooling and airflow, install the cover before starting the system. Operating the system without the cover for more than 30 minutes could damage the system components.



P7HAJ851-0

Figure 101. Removing the service access cover

Related tasks:

“Placing the 8233-E8B or 8236-E8C in the service position” on page 129

Use this procedure to perform service or gain access to internal components by placing the rack-mounted system or expansion unit in the service position.

Installing the service access cover on an 8233-E8B or 8236-E8C system

Use this procedure to install the service access cover after performing service or accessing internal components.

To install the service access cover, follow these steps:

1. Place the service access cover (A) on the top of the system unit, approximately 25 mm (1 in.) from the front of the system unit.
2. Hold the service access cover against the system unit, and slide it toward the front of the system. The tabs on the service access cover slide beneath the upper chassis ledge, and the two screws align with the screw holes at the rear of the system unit.

Important: Ensure that the fan LED cables do not get caught on the front edge of the service access cover as you move it forward.

3. Tighten the screws (B) located at the rear of the cover.

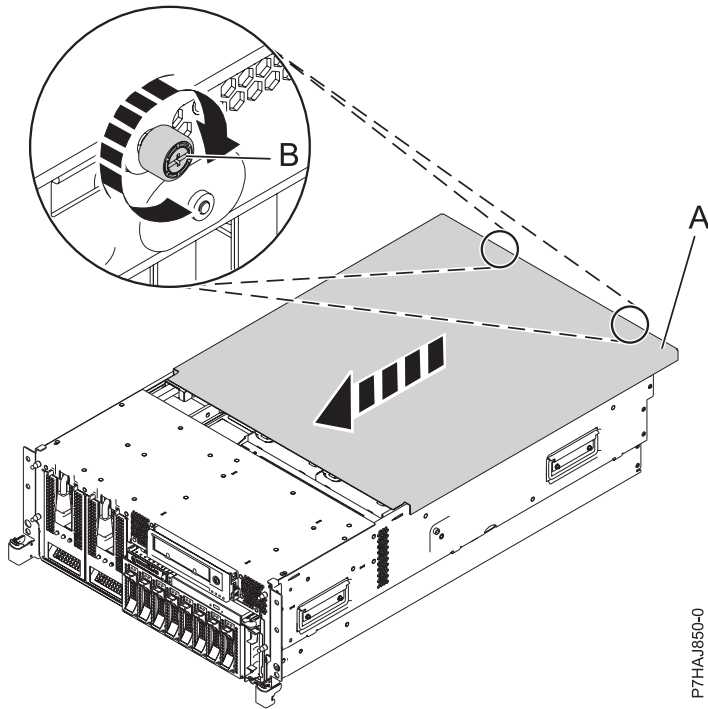


Figure 102. Installing the service access cover

Placing the rack-mounted 8233-E8B or 8236-E8C system into the service position or operating position

Use these procedures to place a system into the service position or operating position to perform service or to gain access to internal components.

Placing the 8233-E8B or 8236-E8C in the service position

Use this procedure to perform service or gain access to internal components by placing the rack-mounted system or expansion unit in the service position.

Note: Some of the figures in these procedures might not look exactly like the system or expansion unit that you have. However, the steps to perform the task are the same.

DANGER

When working on or around the system, observe the following precautions:

Electrical voltage and current from power, telephone, and communication cables are hazardous. To avoid a shock hazard:

- Connect power to this unit only with the IBM provided power cord. Do not use the IBM provided power cord for any other product.
- Do not open or service any power supply assembly.
- Do not connect or disconnect any cables or perform installation, maintenance, or reconfiguration of this product during an electrical storm.
- The product might be equipped with multiple power cords. To remove all hazardous voltages, disconnect all power cords.
- Connect all power cords to a properly wired and grounded electrical outlet. Ensure that the outlet supplies proper voltage and phase rotation according to the system rating plate.
- Connect any equipment that will be attached to this product to properly wired outlets.
- When possible, use one hand only to connect or disconnect signal cables.
- Never turn on any equipment when there is evidence of fire, water, or structural damage.
- Disconnect the attached power cords, telecommunications systems, networks, and modems before you open the device covers, unless instructed otherwise in the installation and configuration procedures.
- Connect and disconnect cables as described in the following procedures when installing, moving, or opening covers on this product or attached devices.

To Disconnect:

1. Turn off everything (unless instructed otherwise).
2. Remove the power cords from the outlets.
3. Remove the signal cables from the connectors.
4. Remove all cables from the devices.

To Connect:

1. Turn off everything (unless instructed otherwise).
2. Attach all cables to the devices.
3. Attach the signal cables to the connectors.
4. Attach the power cords to the outlets.
5. Turn on the devices.

(D005)

DANGER

Observe the following precautions when working on or around your IT rack system:

- Heavy equipment—personal injury or equipment damage might result if mishandled.
- Always lower the leveling pads on the rack cabinet.
- Always install stabilizer brackets on the rack cabinet.
- To avoid hazardous conditions due to uneven mechanical loading, always install the heaviest devices in the bottom of the rack cabinet. Always install servers and optional devices starting from the bottom of the rack cabinet.
- Rack-mounted devices are not to be used as shelves or work spaces. Do not place objects on top of rack-mounted devices.



- Each rack cabinet might have more than one power cord. Be sure to disconnect all power cords in the rack cabinet when directed to disconnect power during servicing.
- Connect all devices installed in a rack cabinet to power devices installed in the same rack cabinet. Do not plug a power cord from a device installed in one rack cabinet into a power device installed in a different rack cabinet.
- An electrical outlet that is not correctly wired could place hazardous voltage on the metal parts of the system or the devices that attach to the system. It is the responsibility of the customer to ensure that the outlet is correctly wired and grounded to prevent an electrical shock.

CAUTION

- Do not install a unit in a rack where the internal rack ambient temperatures will exceed the manufacturer's recommended ambient temperature for all your rack-mounted devices.
- Do not install a unit in a rack where the air flow is compromised. Ensure that air flow is not blocked or reduced on any side, front, or back of a unit used for air flow through the unit.
- Consideration should be given to the connection of the equipment to the supply circuit so that overloading of the circuits does not compromise the supply wiring or overcurrent protection. To provide the correct power connection to a rack, refer to the rating labels located on the equipment in the rack to determine the total power requirement of the supply circuit.
- *(For sliding drawers.)* Do not pull out or install any drawer or feature if the rack stabilizer brackets are not attached to the rack. Do not pull out more than one drawer at a time. The rack might become unstable if you pull out more than one drawer at a time.
- *(For fixed drawers.)* This drawer is a fixed drawer and must not be moved for servicing unless specified by the manufacturer. Attempting to move the drawer partially or completely out of the rack might cause the rack to become unstable or cause the drawer to fall out of the rack.

(R001)

To place the rack-mounted system or expansion unit into the service position, follow these steps:

1. If necessary, open the front rack door.
2. Remove the two screws **(A)** that secure the system unit to the rack as shown in the following figure.
3. Release the rack latches **(B)** on both the left and right sides as shown in the following figure.

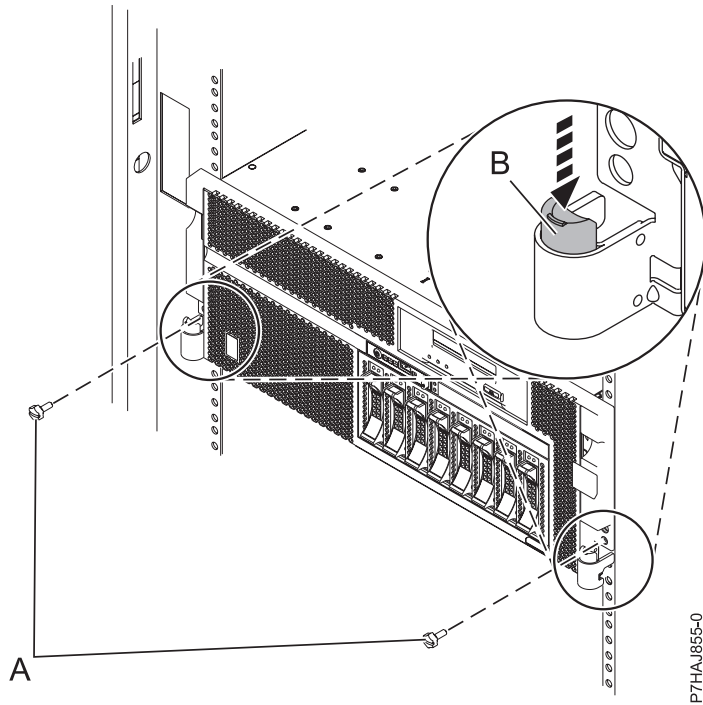


Figure 103. Releasing the rack latches

4. If required, unplug the cables from the rear of the system or expansion unit before you pull the unit out from the rack. Ensure that the cables at the rear of the system or expansion unit do not catch or bind as you pull the unit out from the rack.
5. Slowly pull the system or expansion unit out from the rack until the rails are fully extended and locked. Ensure that the rails are fully extended. When the rails are fully extended, the rail safety latches lock into place. This action prevents the system or expansion unit from being pulled out too far.

Placing the 8233-E8B or 8236-E8C in the operating position

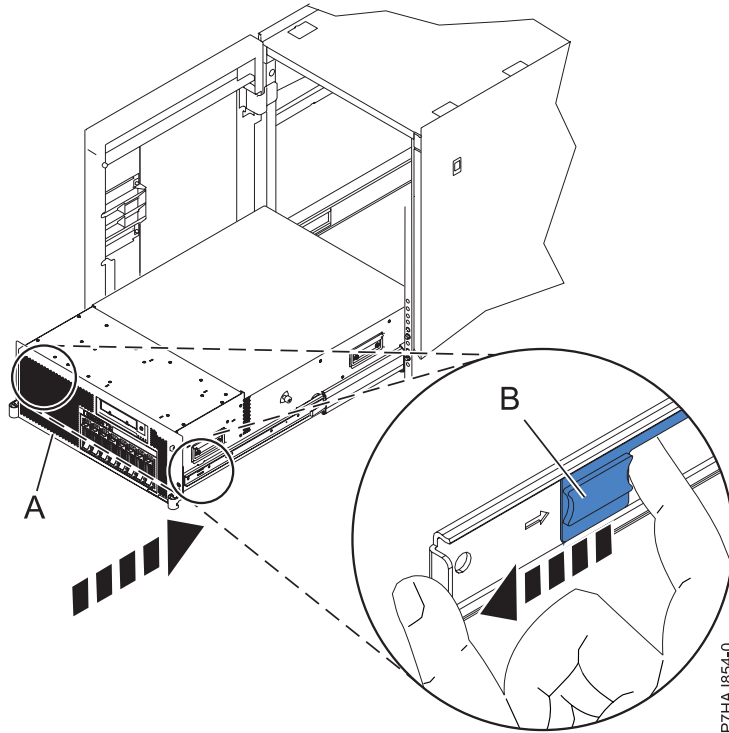
Use this procedure to place the system or expansion unit in the operating position to make the unit available for use.

To place the system into the operating position follow these steps:

Tip: Some of the figures in these procedures might not look exactly like the system or expansion unit that you have. However, the steps to perform the task are the same.

1. Simultaneously release the blue rail safety latches (**B**), located near the front of each rail, and push the system or expansion unit into the rack as shown in the following figure.

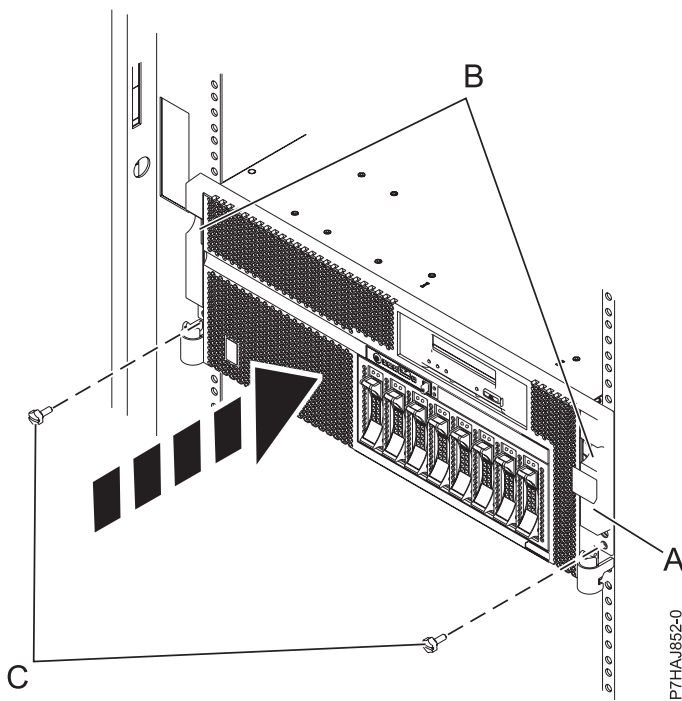
Note: Ensure that the cables at the rear of the system or expansion unit do not catch or bind as you push the unit back into the rack.



PTHAJ854-0

Figure 104. Releasing the rail safety latches

2. Replace and tighten the two thumbscrews (C) that secure the system or expansion unit (A) to the rack as shown in the following figure.



PTHAJ852-0

Figure 105. Replacing the thumbscrews

3. Close the front rack door.

Verifying the installed part

You can verify a newly installed or replaced part on your system, logical partition, or expansion unit by using the operating system, stand-alone diagnostics, or the Hardware Management Console (HMC).

Verifying an installed feature or replaced part in an AIX system or logical partition

If you installed feature or replaced a part, you might want to use the tools in the AIX operating system to verify that the feature or part is recognized by the system or logical partition.

To verify the operation of a newly installed feature or replacement part, select the appropriate procedure:

- Verify the installed feature using AIX
- Verifying the replaced part using AIX

Verify the installed feature by using the AIX operating system:

1. Log in as root user.
2. At the command line, type `diag` and press Enter.
3. Select **Advanced Diagnostics Routines** and press Enter.
4. From the **Diagnostic Mode Selection** menu, select **System Verification** and press Enter.
5. When the **Advanced Diagnostic Selection** menu appears, do one of the following:
 - To test a single resource, select the resource that you just installed from the list of resources and press Enter.
 - To test all the resources available to the operating system, select **All Resources** and press Enter.
6. Select **Commit**, and wait until the diagnostic programs run to completion, responding to any prompts that appear.
7. Did the diagnostics run to completion and display the message No trouble was found?
 - **No:** If a service request number (SRN) or other reference code is displayed, suspect a loose adapter or cable connection. Review the installation procedures to ensure that the new feature is installed correctly. If you cannot correct the problem, collect all SRNs or any other reference code information that you see. If the system is running in logical partitioning (LPAR) mode, note the logical partition in which you installed the feature. Contact your service provider for assistance.
 - **Yes:** The new device is installed correctly. Exit the diagnostic programs and return the system to normal operations.

Verify the replacement part by using the AIX operating system:

To verify the operation of a newly installed feature or replacement part, follow these steps:

1. Did you use either the AIX operating system or the online diagnostics service aid concurrent (hot-swap) service to replace the part?
 - No:** Go to step 2.
 - Yes:** Go to step 5 on page 135.
2. Is the system powered off?
 - No:** Go to step 4 on page 135.
 - Yes:** Continue with the next step.
3. Start the system and wait until the AIX operating system login prompt is displayed or until apparent system activity on the operator panel or display has stopped.

Did the AIX login prompt display?

 - **No:** If a service request number (SRN) or other reference code is displayed, suspect a loose adapter or cable connection. Review the procedures for the part that you replaced to ensure that the new part is installed correctly. If you cannot correct the problem, collect all SRNs or any other

reference code information that you see. If the system does not start or you have no login prompt, see: Problems with loading and starting the operating system.

If the system is partitioned, note the logical partition in which you replaced the part. Contact your service provider for assistance.

- **Yes:** Go to step 4.
4. At the command prompt, type `diag -a` and press Enter to check for missing resources. If you see a command prompt, go to step 5.

If the **Diagnostic selection** menu is shown with **M** appearing next to any resource, follow these steps:

- a. Select the resource and press Enter.
 - b. Select **Commit**.
 - c. Follow any instructions that are shown.
 - d. If the *Do you want to review the previously displayed error?* message is shown, select **Yes** and press Enter.
 - e. If an SRN is shown, suspect a loose card or connection. If no obvious problem is shown, record the SRN and contact your service provider for assistance.
 - f. If no SRN is shown, go to step 5.
5. Test the part by doing the following steps:
 - a. At the command line, type `diag` and press Enter.
 - b. From the **Function Selection** menu, select **Advanced Diagnostics Routines** and press Enter.
 - c. From the **Diagnostic Mode Selection** menu, select **System Verification** and press Enter.
 - d. Select **All Resources**, or select the diagnostics for the individual part to test only the part you replaced and any devices that are attached to the part you replaced and press Enter.
Did the **Resource Repair Action** menu appear?
No: Go to step 6.
Yes: Go to step 7.
 6. Did the *Testing Complete, No trouble was found* message appear?
 - **No:** There is still a problem. Contact your service provider. **This ends the procedure.**
 - **Yes:** Select **Log Repair Action**, if not previously logged, from the **Task Selection** menu to update the AIX error log. If the repair action was reseating a cable or adapter, select the resource associated with that repair action. If the resource associated with your action is not displayed on the resource list, select `sysplanar0` and press Enter.

Tip: This action changes the indicator light for the part from the fault state to the normal state.

Go to step 9 on page 136.

7. Select the resource for the replaced part from the **Resource Repair Action** menu. When a test is run on a resource in system verification mode, and that resource has an entry in the AIX error log, if the test on the resource was successful, the **Resource Repair Action** menu appears. Complete the following steps to update the AIX error log to indicate that a system-detectable part has been replaced.

Note: On systems with an indicator light for the failing part, this action changes the indicator light to the normal state.

- a. Select the resource that has been replaced from the **Resource Repair Action** menu. If the repair action was reseating a cable or adapter, select the resource associated with that repair action. If the resource associated with your action does not appear on the resource list, select `sysplanar0` and press Enter.
- b. Select **Commit** after you make your selections. Did another **Resource Repair Action** display appear?

No: If the **No Trouble Found** display appears, go to step 9

Yes: Go to step 8.

8. Select the parent or child of the resource for the replaced part from the **Resource Repair Action** menu if necessary. When a test is run on a resource in system verification mode, and that resource has an entry in the AIX error log, if the test on the resource was successful, the **Resource Repair Action** menu appears. Complete the following steps to update the AIX error log to indicate that a system-detectable part has been replaced.

Note: This action changes the indicator light for the part from the fault state to the normal state.

- a. From the **Resource Repair Action** menu, select the parent or child of the resource that has been replaced. If the repair action was to reseal a cable or adapter, select the resource associated with that repair action. If the resource associated with your action does not appear on the resource list, select **sysplanar0** and press Enter.
 - b. Select **Commit** after you make your selections.
 - c. If the **No Trouble Found** display appears, go to step 9.
9. If you changed the service processor or network settings, as instructed in previous procedures, restore the settings to the values they had prior to servicing the system.
 10. Did you do any hot-plug procedures before doing this procedure?
No: Go to step 11.
Yes: Go to step 12.
 11. Start the operating system, with the system or logical partition in normal mode. Were you able to start the operating system?
No: Contact your service provider. **This ends the procedure.**
Yes: Go to step 12.
 12. Are the indicator lights still on?
 - **No. This ends the procedure.**
 - **Yes.** Turn off the lights. See the following for instructions: Changing service indicators.

Verifying the installed part in an IBM i system or logical partition

If you have installed a new feature or part, verify that the system recognizes the feature or part by using the IBM i system service tools.

To verify the installed part, follow these steps:

1. Deactivate the failing item indicator light. For instructions, see “Deactivating the failing-part indicator light” on page 118.
2. Sign on **with at least service level authority**.
3. On the command line of the IBM i session, type **strsst** and press Enter.

Note: If you cannot get to the System Service Tools display, use function 21 from the control panel. Alternatively, if the system is managed by Hardware Management Console (HMC), use the Service Focal Point Utilities to get to the Dedicated Service Tools (DST) display.

4. Type your service tools user ID and service tools password on the System Service Tools (SST) Sign On display and press Enter.

Note: The service tools password is case-sensitive.

5. Select **Start a service tool** from the System Service Tools (SST) display and press Enter.
6. Select **Hardware service manager** from the Start a Service Tool display and press Enter.
7. Select **Logical hardware resources (buses, IOPs, controllers)** from the Hardware Service Manager display and press Enter. This option allows you to display and work with logical resources. Logical hardware resources are the functional resources of the system used by the operating system.

With the Logical Hardware Resources display, you can show logical hardware resource status or information, and associated packaging hardware resources. Use the online Help information to better understand specific functions, fields, or symbols.

Deactivating the failing-part indicator light

Use this procedure to turn off any indicator light that you turned on as a part of a service action.

To deactivate the indicator light, follow these steps:

1. Sign on to an IBM i session, **with at least service level authority**.
2. On the command line of the session, type `strsst` and press Enter.

Note: If you cannot get to the System Service Tools display, use function 21 from the control panel. Alternatively, if the system is managed by a Hardware Management Console (HMC), use the Service Focal Point utilities to get to the Dedicated Service Tools (DST) display.

3. Type your service tools user ID and service tools password on the System Service Tools (SST) Sign On display and press Enter.

Remember: The service tools password is case-sensitive.

4. Select **Start a service tool** from the System Service Tools (SST) display and press Enter.
5. Select **Hardware service manager** from the Start a Service Tool display and press Enter.
6. Select **Work with service action log** from the Hardware Service Manager display and press Enter.
7. On the Select Timeframe display, change the **From: Date and Time** field to a date and time prior to when the problem occurred.
8. Search for an entry that matches one or more conditions of the problem:
 - System reference code
 - Resource
 - Date and time
 - Failing item list
9. Select option 2 (Display failing item information) to display the service action log entry.
10. Select option 2 (Display details) to display location information for the failing part to be replaced. The information displayed in the date and time fields is the date and time for the first occurrence of the specific system reference code for the resource displayed during the time range selected.
11. Select option 7 (Indicator off) to turn off the indicator light.
12. Select the **Acknowledge all errors** function at the bottom of the Service Action Log display, if all problems have been resolved.
13. Close the log entry by selecting option 8 (Close new entry) on the Service Action Log Report display.

Verifying the installed part in a Linux system or logical partition

If you have installed a new part, learn how to verify that the system recognizes the part.

To verify the newly installed or replaced part, continue with “Verifying an installed part by using stand-alone diagnostics.”

Verifying an installed part by using stand-alone diagnostics

If you have installed or replaced a part, verify that the system recognizes the new part. You can use stand-alone diagnostics to verify an installed part in an AIX or Linux system, expansion unit, or logical partition.

- If this server is directly attached to another server or attached to a network, ensure communications with the other servers have stopped.

- The stand-alone diagnostics require use of all of the logical partition resources. No other activity can be running on the logical partition.
- The stand-alone diagnostics require access to the system console.

You access these diagnostics from a CD-ROM or from the Network Installation Management (NIM) server. This procedure describes how to use the diagnostics from a CD-ROM. For information on running diagnostics from the NIM server, see *Running stand-alone diagnostics from a Network Installation Management server*.

To use stand-alone diagnostics, follow these steps:

1. Stop all jobs and applications and then stop the operating system on the system or logical partition.
2. Remove all tapes, diskettes, and CD-ROM.
3. Turn off the system unit power. The next step boots the server or logical partition from the stand-alone diagnostics CD-ROM. If the optical drive is not available as a boot device on the server or logical partition on which you are working, follow these steps:
 - a. Access the ASMI. For information on using the ASMI, see *Accessing the ASMI*.
 - b. On the ASMI main menu, click **Power/Restart Control**.
 - c. Click **Power On/Off System**.
 - d. Select the **Service mode boot from default boot list** option in the AIX or Linux logical partition mode boot drop-down menu.
 - e. Click **Save settings and power on**. When the optical drive is powered on, insert the stand-alone diagnostic CD-ROM.
 - f. Go to step 5.
4. Turn on the system unit power and immediately insert the diagnostics CD-ROM into the optical drive.
5. After the **keyboard** POST indicator displays on the system console and before the last POST indicator (**speaker**) displays, press the numeric 5 key on the system console to indicate that a service mode boot must be initiated by using the default-service mode boot list.
6. Enter any requested password.
7. At the **Diagnostic Operating Instructions** display, press Enter.

Tip: If a service request number (SRN) or other reference code is displayed, suspect a loose adapter or cable connection.

Note: If you received an SRN or any other reference code when you attempted to start the system, contact your service provider for assistance.

8. If the terminal type is requested, select the **Initialize Terminal** option on the Function Selection menu to initialize the operating system.
9. From the Function Selection menu, select **Advanced Diagnostics Routines** and press Enter.
10. From the Diagnostic Mode Selection menu, select **System Verification** and press Enter.
11. When the Advanced Diagnostic Selection menu appears, select **All Resources**, or test only the part you replaced, and any devices that are attached to the part you replaced, by selecting the diagnostics for the individual part and press Enter.
12. Did the Testing Complete, No trouble was found message appear?
 - **No:** There is still a problem. Contact your service provider.
 - **Yes:** Go to step 13.
13. If you changed the service processor or network settings, as instructed in previous procedures, restore the settings to the value they had prior to servicing the system.
14. If the indicator lights are still on, follow these steps:

- a. Select **Identify and Attention Indicators** from the Task Selection menu to turn off the system attention and indicator lights and press Enter.
- b. Select **Set System Attention Indicator to NORMAL** and press Enter.
- c. Select **Set All Identify Indicators to NORMAL** and press Enter.
- d. Choose **Commit**.

Note: This changes the system attention and identify indicators from the *Fault* state to the *Normal* state.

- e. Exit to the command line.

Verifying the installed part by using the HMC

If you have installed or replaced a part, use the Hardware Management Console (HMC) to update your HMC records after you have completed a service action on your server. If you have reference codes, symptoms, or location codes that you used during the service action, locate the records for use during this procedure.

To verify the installed part, complete these steps:

1. At the HMC, examine the service action event log for any open service action events. See “Viewing serviceable events by using the HMC” on page 140 for details.
2. Are there any service action events that are open?
 - No:** If the system attention LED is still on, use the HMC to turn off the LED. See “Activating and deactivating LEDs by using the HMC.” **This ends the procedure.**
 - Yes:** Continue with the next step.
3. Record the list of open service action events.
4. Examine the details of the open service action event. Is the error code associated with this service action event the same as you gathered earlier.
 - **No:** Select one of the following options:
 - Review the other serviceable events, find one that does match, and continue with the next step.
 - If the log does not match what you had gathered earlier, contact your service provider.
 - **Yes:** Continue with the next step.
5. Select and highlight the service action event from the Error Associated With This Serviceable Event window.
6. Click **Close Event**.
7. Add comments for the serviceable event. Include any unique additional information. Click **OK**.
8. Did you replace, add, or modify a field replaceable unit (FRU) of the open service action event?
 - **No:** Select the **No FRU Replaced for this Serviceable Event** option, and click **OK** to close the service action event.
 - **Yes:** Perform the following steps:
 - a. From the FRU list, select a FRU that you need to update.
 - b. Double-click the FRU and update the FRU information.
 - c. Click **OK** to close the service action event.
9. If you continue to have problems, contact your service provider.

Activating and deactivating LEDs by using the HMC

Use this procedure to activate or deactivate LEDs by using Service Focal Point from the Hardware Management Console (HMC).

Deactivating a system attention LED or partition LED by using the HMC:

You can deactivate the attention LED for a system or logical partition if you decide that a problem is not a high priority and you decide to repair the problem at a later time. The deactivation also allows the LED to be activated again when another problem occurs.

To deactivate a system attention LED by using HMC, complete the following steps:

1. In the navigation area, open **Systems Management**.
2. Open **Servers** and select the required system.
3. In the content area, select the required partition.
4. Select **Tasks > Operations > Deactivate Attention LED**. A confirmation window is displayed with an indication that there still might be open problems with the system.
5. Click **OK** to continue with the deactivation. A window is displayed that provides the details of the system or partition, and a confirmation that the system or logical partition attention LED was deactivated.

Activating or deactivating an identify LED by using the HMC:

The system provides several LEDs that help identify various components, such as enclosures or field replaceable units (FRUs), in the system. For this reason, they are called *identify LEDs*.

You can activate or deactivate the following types of identify LEDs:

- **Identify LED for an enclosure** If you want to add an adapter to a specific drawer (enclosure), you need to know the machine type, model, and serial number (MTMS) of the drawer. To determine whether you have the correct MTMS for the drawer that needs the new adapter, you can activate the LED for a drawer and verify that the MTMS corresponds to the drawer that requires the new adapter.
- **Identify LED for a FRU associated with a specified enclosure** If you want to hook up a cable to a specific I/O adapter, you can activate the LED for the adapter which is a field replaceable unit (FRU), and then physically check to see where you should hook up the cable. This is especially useful when you have several adapters with open ports.

To activate or deactivate an identify LED for an enclosure or FRU, follow these steps:

1. In the navigation area, open **Systems Management**.
2. Select **Servers**.
3. In the content area, check the box for the appropriate System.
4. Select **Tasks > Operations > LED Status > Identify LED**.
5. To activate or deactivate an identify LED for an enclosure, select an enclosure from the table, and click either **Activate LED** or **Deactivate LED**. The associated LED is either turned on or off.
6. To activate or deactivate an identify LED for a FRU, select an enclosure from the table and click **List FRUs**.
7. Select one or more FRUs from the table, and click either **Activate LED** or **Deactivate LED**. The associated LED is either turned on or off.

Viewing serviceable events by using the HMC

Use this procedure to view a serviceable event, including details, comments, and service history.

To view serviceable events and other information about the events, you must be a member of one of the following roles:

- Super administrator
- Service representative
- Operator
- Product engineer
- Viewer

To view serviceable events, follow these steps:

1. In the navigation area, select **Service Management**.
2. Select **Manage Serviceable Events**.
3. Select the criteria for the serviceable events that you want to view, and click **OK**. The Serviceable Event Overview window opens. The list shows all serviceable events that match your selection criteria. You can use the menu options to perform actions on the serviceable events.
4. Select a line in the Serviceable Event Overview window, and select **Selected > View Details**. The Serviceable Event Details window opens, showing detailed information about the serviceable event. The upper table shows information, such as problem number and reference code. The lower table shows the field replaceable units (FRUs) associated with this event.
5. Select the error for which you want to view comments and history, and follow these steps:
 - a. Select **Actions > View Comments**.
 - b. When you are finished viewing the comments, click **Close**.
 - c. Select **Actions > View Service History**. The Service History window opens, showing service history associated with the selected error.
 - d. When you are finished viewing the service history, click **Close**.
6. When you are finished, click **Cancel** twice to close the Serviceable Event Details window and the Serviceable Event Overview window.

Verifying the installed part by using the SDMC

If you installed or replaced a part, use the IBM Systems Director Management Console (SDMC) to update your SDMC records after you have completed a service action on your server. If you have reference codes, symptoms, or location codes that you used during the service action, locate the records for use during this procedure.

To verify the installed part, complete these steps:

1. From the SDMC, examine the service action event log for any open service action events. See “Viewing serviceable events by using the SDMC” on page 142 for details.
2. Are there any service action events that are open?
 - No:** If the system attention LED is still on, use the SDMC to turn off the LED. See “Activating and deactivating LEDs by using the SDMC.” **This ends the procedure.**
 - Yes:** Continue with the next step.
3. Record the list of open service action events.
4. Examine the details of the open service action event. Is the error code associated with this service action event the same as you gathered earlier.
 - **No:** Select one of the following options:
 - Review the other serviceable events, find one that does match, and continue with the next step.
 - If the log does not match what you had gathered earlier, contact your service provider.
 - **Yes:** Continue with the next step.
5. Select and highlight the service action event from the Error Associated With This Serviceable Event window.
6. Click **Delete** or **Ignore**.

Note: These options are only available from the problem event log.

Activating and deactivating LEDs by using the SDMC

Use this procedure to activate or deactivate LEDs by using the IBM Systems Director Management Console (SDMC).

Deactivating a system attention LED or partition LED by using the SDMC:

You can deactivate a system attention LED or a logical partition LED. For example, you might determine that a problem is not a high priority and decide to repair the problem at a later time. However, you want to be alerted if another problem occurs, so you must deactivate the system attention LED so that it can be activated again if another problem occurs.

To deactivate the system attention LED, complete the following steps:

1. On the Resources tab, select the appropriate host or virtual server.
2. Select **Actions > Service and Support > Hardware > System Attention LED**.
3. Select **Deactivate System Attention LED**. A confirmation window is displayed that provides the following information:
 - A verification that the system attention LED was deactivated.
 - An indication that there still might be open problems within the system.
 - An indication that you cannot activate the system attention LED.
4. Select one of the virtual servers, and select **Deactivate System Attention LED**. A confirmation window is displayed that provides the following information:
 - A verification that the system attention LED was deactivated.
 - An indication that there still might be open problems within the logical partition.
 - An indication that you cannot activate the virtual server LED.

Activating or deactivating an identify LED by using the SDMC:

The system provides several LEDs that help identify various components, such as enclosures or field replaceable units (FRUs). For this reason, they are called *identify LEDs*.

You can activate or deactivate the following types of identify LEDs:

- **Identify LED for an enclosure** If you want to add an adapter to a specific drawer (enclosure), you need to know the machine type, model, and serial number (MTMS) of the drawer. To determine whether you have the correct MTMS for the drawer that needs the new adapter, you can activate the LED for a drawer and verify that the MTMS corresponds to the drawer that requires the new adapter.
- **Identify LED for a FRU associated with a specified enclosure** If you want to hook up a cable to a specific I/O adapter, you can activate the LED for the adapter which is a field replaceable unit (FRU), and then physically check to see where you should hook up the cable. This is especially useful when you have several adapters with open ports.

To activate or deactivate an identify LED for an enclosure or FRU, follow these steps:

1. On the Resources tab, select the appropriate host or virtual server.
2. Select **Actions > Service and Support > Hardware > Identify LED**.
3. In the Identify LED, Select Enclosure window, select the system unit or enclosure.
4. To activate or deactivate an identify LED, click either **Activate LED** or **Deactivate LED**. The associated LED is either turned on or off.
5. To activate or deactivate an identify LED for a FRU, select a system or enclosure from the table, and then click **List FRUs**.
6. Select one or more FRUs from the table, and click either **Activate LED** or **Deactivate LED**. The associated LED is either turned on or off.

Viewing serviceable events by using the SDMC

Use this procedure to view a serviceable event, including details, comments, and service history.

To view serviceable events, follow these steps:

1. On the Resources tab, select the appropriate host or virtual server.
2. Select **Actions > System Status and Health > Event Log**.
3. Optional: You can narrow the event criteria by using the Event filter menu.

4. Select a line in the Events window, and select **Actions > Properties**. The Properties window opens, showing detailed information about the serviceable event. The table shows information, such as problem number, reference code, and the field replaceable units (FRUs) associated with this event.

Verifying an installed part or replaced part on a system or logical partition by using Virtual I/O Server tools

If you installed or replaced a part, you might want to use the tools in Virtual I/O Server (VIOS) to verify that the part is recognized by the system or logical partition.

Verifying the installed part by using VIOS

You can verify the operation of a newly installed part or a replacement part.

Perform the following steps to verify an installed or replaced part:

1. Log in as root user.
2. At the command line, type `diagmenu` and press Enter.
3. Select **Advanced Diagnostics Routines** and press Enter.
4. From the **Diagnostic Mode Selection** menu, select **System Verification** and press Enter.
5. When the **Advanced Diagnostic Selection** menu appears, do one of the following steps:
 - To test a single resource, select the resource that you just installed from the list of resources and press Enter.
 - To test all the resources available to the operating system, select **All Resources** and press Enter.
6. Select **Commit**, and wait until the diagnostic programs run to completion, responding to any prompts that appear.
7. Did the diagnostics run to completion and display the message `No trouble was found`?
 - **No:** If a service request number (SRN) or other reference code is displayed, suspect a loose adapter or cable connection. Review the installation procedures to ensure that the new part is installed correctly. If you cannot correct the problem, collect all SRNs or any other reference code information that you see. If the system is running in LPAR mode, note the logical partition in which you installed the part. Contact your service provider for assistance.
 - **Yes:** The new device is installed correctly. Exit the diagnostic programs and return the system to normal operations.

Verify the replacement part by using VIOS

To verify the operation of a newly installed part or replacement part, complete the following steps:

1. Did you replace the part by using either VIOS or the online diagnostics service aid's concurrent (hot-swap) service operation?
 - **No:** Go to step 2.
 - **Yes:** Go to step 5 on page 144.
2. Is the system powered off?
 - **No:** Go to step 4 on page 144.
 - **Yes:** If the system supports slow boot, set the system to perform a slow boot. For information, see *Performing a slow boot*.
3. Start the system and wait until the VIOS operating system login prompt displays or until apparent system activity on the operator panel or display has stopped. Did the VIOS login prompt display?
 - **No:** If an SRN or other reference code is displayed, suspect a loose adapter or cable connection. Review the procedures for the part that you replaced to ensure that the new part is installed correctly. If you cannot correct the problem, collect all SRNs or any other reference code information that you see. If the system does not start or you have no login prompt, see *Problems with loading and starting the operating system*.

If the system is partitioned, note the logical partition in which you replaced the part. Contact your service provider for assistance.

- **Yes:** Go to step 4.
4. At the command prompt, type `diag -a` and press Enter to check for missing resources. If you see a command prompt, go to step 5.

If the **Diagnostic selection** menu is shown with **M** appearing next to any resource, follow these steps:

- a. Select the resource and press Enter.
 - b. Select **Commit**.
 - c. Follow any instructions that are shown.
 - d. If a *Do you want to review the previously displayed error?* message is shown, select **Yes** and press Enter.
 - e. If an SRN is shown, suspect a loose card or connection. If no obvious problem is shown, record the SRN and contact your service provider for assistance.
 - f. If no SRN is shown, go to 5.
5. Test the part by doing the following:
- a. At the command line, type `diagmenu` and press Enter.
 - b. From the **Function Selection** menu, select **Advanced Diagnostics Routines** and press Enter.
 - c. From the **Diagnostic Mode Selection** menu, select **System Verification** and press Enter.
 - d. Select **All Resources**, or select the diagnostics for the individual part to test only the part you replaced, and any devices that are attached to the part you replaced and press Enter.
Did the **Resource Repair Action** menu appear?
- **No:** Go to step 6.
 - **Yes:** Go to step 7.
6. Did the *Testing Complete, No trouble was found* message appear?
- **No:** There is still a problem. Contact your service provider. **This ends the procedure.**
 - **Yes:** Select **Log Repair Action**, if not previously logged, from the **Task Selection** menu to update the error log. If the repair action was reseating a cable or adapter, select the resource associated with that repair action. If the resource associated with your action is not displayed on the Resource List, select `sysplanar0` and press Enter.

Tip: This action changes the indicator light for the part from the fault state to the normal state. Go to step 9 on page 145.

7. Select the resource for the replaced part from the **Resource Repair Action** menu. When a test is run on a resource in system verification mode, and that resource has an entry in the error log, if the test on the resource was successful, the **Resource Repair Action** menu appears. Complete the following steps to update the error log to indicate that a system-detectable part has been replaced. On systems with a indicator light for the failing part, this changes the indicator light to the normal state.
- a. Select the resource that has been replaced from the **Resource Repair Action** menu. If the repair action was reseating a cable or adapter, select the resource associated with that repair action. If the resource associated with your action does not appear on the Resource List, select `sysplanar0`. Press Enter.
 - b. Select **Commit** after you make your selections. Did another **Resource Repair Action** display appear?
- **No:** If the **No Trouble Found** display appears, go to step 9 on page 145.
 - **Yes:** Go to step 8.
8. Select the parent or child of the resource for the replaced part from the **Resource Repair Action** menu if necessary. When a test is run on a resource in system verification mode, and that resource has an entry in the error log, if the test on the resource was successful, the **Resource Repair Action**

menu appears. Complete the following steps to update the error log to indicate that a system-detectable part has been replaced. This changes the indicator light for the part from the fault state to the normal state.

- a. From the **Resource Repair Action** menu, select the parent or child of the resource that has been replaced. If the repair action was to reseal a cable or adapter, select the resource associated with that repair action. If the resource associated with your action does not appear on the Resource List, select **sysplanar0**. Press Enter.
- b. Select **Commit** after you make your selections.
- a. If the **No Trouble Found** display appears, go to step 9.
9. If you changed the service processor or network settings, as instructed in previous procedures, restore the settings to the values they had prior to servicing the system.
10. Did you do any hot-plug procedures before doing this procedure?
 - **No:** Go to step 11.
 - **Yes:** Go to step 12.
11. Start the operating system, with the system or logical partition in normal mode. Were you able to start the operating system?
 - **No:** Contact your service provider. **This ends the procedure.**
 - **Yes:** Go to step 12.
12. Are the indicator lights still on?
 - **No:** This ends the procedure.
 - **Yes.** Turn off the lights. For instructions, see Changing service indicators.

Verifying a repair

Use these procedures to verify hardware operation after making repairs to the system.

Choose from the following options:

- To verify the repair of a system that is currently powered off, go to step 1.
 - To verify the repair of a system that is currently powered on with no operating system loaded, go to step 3.
 - To verify the repair of a system that is currently powered on and that has an operating system loaded, go to step 5 on page 146.
1. Power on the server and all attached I/O enclosures.

Did all the enclosures power on?

Yes: Go to step 3.↓ Go to step 3.

No: Continue with the next step.

2. Choose from the following options:

- If the original problem was that an enclosure would not power on and you have another FRU to replace, locate and replace the next field-replaceable unit (FRU).
 - If the next FRU in the FRU list is an isolation procedure, perform the isolation procedure.
 - If the original problem was that an enclosure would not power on and you have an isolation procedure to complete, perform the isolation procedure.
 - If the original problem was that an enclosure would not power on and there are no more FRUs or isolation procedures in the FRU list, contact your next level of support.
 - If you have a new problem, perform problem analysis and repair the new problem.
-

3. Load the operating system.

Did the operating system load successfully?

Yes: Go to step 5.

No: Continue with the next step.

4. Choose from the following options:

- If the original problem was a failing disk drive that contained the operating system software, go to step 5.
 - If the original problem was that the operating system would not load and you have another FRU to replace, go to your FRU locations section to locate the next FRU.
 - If the next FRU in the FRU list is an isolation procedure, perform the isolation procedure.
 - If the original problem was that the operating system would not load and you have an isolation procedure to complete, perform the isolation procedure.
 - If the original problem was that the operating system would not load and there are no more FRUs or isolation procedures in the FRU list, contact your next level of support.
 - If you have a new problem, perform problem analysis and repair the new problem.
-

5. Choose from the following options:

- “Verifying the repair in AIX”
- “Verifying the repair in Linux” on page 151
- “Verifying a repair by using an IBM i system or logical partition” on page 149

Verifying the repair in AIX

You can use this procedure to verify that a repair is complete using the AIX operating system.

Use this maintenance analysis procedure (MAP) to check out the server after a repair is completed.

1. Did you replace a disk drive in the root volume group?

No Go to step 3.

Yes Continue with the next step.

2. Run stand-alone diagnostics either from a CD or from a Network Installation Management (NIM) server.

Did you encounter any problems?

No Reinstall the operating system and continue with step 5 on page 147.

Yes If the original problem still exists, replace the field-replaceable unit (FRU) or perform the isolation procedure that is next in the FRU list. If you have reached the end of the FRU list, contact your next level of support.

If a new problem has occurred, go to Beginning problem analysis.

3. Did you replace a FRU with the power turned on and concurrently with system operations?

No Go to step 5 on page 147.

Yes Continue with the next step.

4. Did you use an AIX diagnostics service aid hot-swap operation to change the FRU?

- Yes** Go to step 6.
No Go to step 7.

Note: The AIX diagnostic service aid was used if a resource was removed by using the **Hot Plug** task.

5. If any FRUs have been removed that should be reinstalled, reinstall them now:

1. If the system is not powered on, power it on now.
2. Perform a slow boot.
3. Wait until the AIX operating system login prompt is displayed or until system activity on the operator panel or display has stopped.
4. Did you encounter any problems?

No Continue at step 6.

Yes If the original problem still exists, replace the FRU or perform the isolation procedure that is next in the FRU list. If you have reached the end of the FRU list, contact your next level of support.

If a new problem occurs, go to Beginning problem analysis.

6. If the Resource Repair Action menu is already displayed, go to step 9 on page 148; otherwise, perform the following steps:

1. Log into the operating system either with root authority (if needed, ask the customer to enter the password) or use the CE login.
 2. Enter `diag -a` command and check for missing resources. Follow any instructions that are displayed. If an SRN displays, suspect a loose card or connection. If no instructions are displayed, no resources were detected as missing. Continue with the next step.
-

7. Perform the following steps:

1. Enter `diag` at the command prompt.
2. Press Enter.
3. Select the **Diagnostics Routines** option.
4. When the Diagnostic Mode Selection menu is displayed, select **System verification**.
5. When the Diagnostic Selection menu is displayed, select the **All Resources** option or test the FRUs you exchanged and any devices that are attached to the FRUs you exchanged by selecting the diagnostics for the individual FRU.

Did the Resource Repair Action menu (801015) display?

No Continue with the next step.

Yes Go to step 9 on page 148.

8. Did the TESTING COMPLETE, no trouble was found menu (801010) display?

Yes Use the **Log Repair Action** option, if not previously logged, in the TASK SELECTION menu to update the AIX error log. If the repair action was reseating a cable or adapter, select the resource associated with that repair action.

If the resource associated with your action is not displayed on the resource list, select **sysplanar0**.

Note: If the system attention indicator is on, this action will set it back to the normal state.

Go to step 11 on page 149.

No If the original problem still exists, replace the FRU or perform the isolation procedure that is next in the FRU list. If you have reached the end of the FRU list, contact your next level of support.

If a new problem occurs go to Beginning problem analysis.

9. When a test is run on a resource in system verification mode, that resource has an entry in the AIX error log. If the test on that resource was successful, the Resource Repair Action menu is displayed. After replacing a FRU, you must select the resource for that FRU from the Resource Repair Action menu. This updates the AIX error log to indicate that a system-detectable FRU has been replaced.

Note: If the system attention indicator is on, this action will set it back to the normal state.

Perform the following steps:

1. Select the resource that has been replaced from the Resource Repair Action menu. If the repair action was reseating a cable or adapter, select the resource associated with that repair action. If the resource associated with your action is not displayed on the resource list, select **sysplanar0**.
2. Press **Commit** after you make your selections.

Did another Resource Repair Action (801015) display?

No If the No Trouble Found menu displays, go to step 11 on page 149.

Yes Continue with the next step.

10. The parent or child of the resource you just replaced might also require that you run the Resource Repair Action service aid on it.

When a test is run on a resource in system verification mode, that resource has an entry in the AIX error log. If the test on the resource was successful, the Resource Repair Action menu displays.

After replacing that FRU, you must select the resource for that FRU from the Resource Repair Action menu. This updates the AIX error log to indicate that a system-detectable FRU has been replaced.

Note: If the system attention indicator is on, this action will set it back to the normal state.

Perform the following steps:

1. From the RESOURCE REPAIR ACTION menu, select the parent or child of the resource that has been replaced. If the repair action was reseating a cable or adapter, select the resource associated with that repair action. If the resource associated with your action is not displayed on the resource list, select **sysplanar0**.
 2. Press COMMIT after you make your selections.
 3. If the No Trouble Found menu is displayed, continue with the next step.
-

11. If you changed the service processor or network settings, as instructed in previous MAPs, restore the settings to the value they had prior to servicing the system. If you ran stand-alone diagnostics from CD-ROM, remove the stand-alone diagnostics CD-ROM from the system.

Did you perform service on a RAID subsystem that involved changing of the PCI RAID adapter cache card or changing the configuration?

Note: This information does not apply to the PCI-X RAID adapter or cache.

No Go to the close of call procedure.

Yes Continue with the next step.

12. Use the **Recover Options** selection to resolve the RAID configuration. To do this, perform the following steps:

1. On the PCI SCSI Disk Array Manager display, select **Recovery options**.
 2. If a previous configuration exists on the replacement adapter, this must be cleared. Select **Clear PCI SCSI Adapter Configuration** and press F3.
 3. On the Recovery Options screen, select **Resolve PCI SCSI RAID Adapter Configuration**.
 4. On the Resolve PCI SCSI RAID Adapter Configuration screen, select **Accept Configuration on Drives**.
 5. On the PCI SCSI RAID Adapter selections menu, select the adapter that you changed.
 6. On the next screen, press Enter.
 7. When you see the Are You Sure selection menu, press Enter to continue.
 8. If you see a Failed status message, verify that you selected the correct adapter, and then repeat this procedure. When the recovery is complete, exit the operating system.
 9. Go to the Closing a service call procedure.
-

Verifying a repair by using an IBM i system or logical partition

Use this procedure to verify a repair by using the IBM i operating system.

1. Was the system powered off during the repair?
Yes: Continue with the next step.
No: Continue with step 3.
2. Perform the following tasks:
 - a. Verify that the power cable is plugged into the power outlet.
 - b. Verify that power is available at the customer's power outlet.
3. Was the partition powered off during the repair?

Yes: Continue with the next step.

No: Continue with step 6.

4. Select the IPL type and mode for the system or logical partition that the customer uses (see IPL type mode and speed options in the Service functions).
5. Start an IPL by powering on the system or partition (see Powering on and powering off). Did the system complete the IPL?
 - Yes:** Continue with the next step.
 - No:** This might be a new problem. Go to the Starting a repair action. **This ends the procedure.**
6. Did the system or partition remain running throughout the repair, and was the I/O processor, I/O adapter, or storage device replaced?
 - Yes:** Continue with step 10.
 - No:** Continue with the next step.
7. Use the service action log or serviceable event view (if the system is managed by an HMC) to look for any reference codes that are related to this IPL (see Searching the service action log). Are there any reference codes that are related to this IPL?
 - Yes:** Continue with the next step.
 - No:** If the problem was related to removable media or communications, perform the verification procedures in the Service functions to verify that the problem is corrected. Then return the system to the customer and have the customer verify the system date and time. **This ends the procedure.**
8. Is the new reference code the same as the original reference code?
 - Yes:** Continue with the next step.
 - No:** A new symptom might have occurred. Go to the Start of call procedure. **This ends the procedure.**
9. Are there any other failing items that remain to be replaced?
 - Yes:** Replace the next failing item listed for this reference code. **This ends the procedure.**
 - No:** Contact your next level of support for assistance. **This ends the procedure.**
10. Was concurrent maintenance performed on an optical storage unit?
 - Yes:** The product activity log and service action log, in most cases, contain a reference code for the optical storage unit when concurrent maintenance is performed. You can ignore this reference code. Perform the following:
 - Perform the verification procedures in the Service functions topic to verify that the problem is corrected.
 - Return the system to the customer and have the customer verify the system date and time. **This ends the procedure.**
 - No:** Continue with the next step.
11. Use the service action log to look for any new reference codes (see Using the Service Action Log). Are there any new reference codes?
 - Yes:** Continue with the next step.
 - No:** Go to step 14.
12. Is the new reference code the same as the original reference code?
 - Yes:** Continue with the next step.
 - No:** A new symptom might have occurred. Go to the Start of call procedure to determine the cause of the problem. **This ends the procedure.**
13. Are there any other failing items that need to be replaced?
 - Yes:** Replace the next failing item listed for the reference code. **This ends the procedure..**
 - No:** Contact your next level of support for assistance. **This ends the procedure.**
14. Are you working with a tape device?

Yes: Perform the verification procedures in the Service functions to verify that the problem is corrected. After the verification test is complete, the tape device description will be set to the failed state because a resource change was detected. Perform the following tasks:

- Vary the tape device description off and then on.
- Return the system to the customer and have the customer verify the system date and time. Then go to Verifying the repair from the HMC. **This ends the procedure.**

No: Continue with the next step.

15. Are you working with an IOP or an IOA?

Yes: Use the display hardware configuration service function to check for any missing or failed hardware:

- On the command line, enter the STRSST (Start System Service Tools command). If you cannot get to SST, select DST. Do not IPL the system or partition to get to DST.
- On the Start Service Tools Sign On display, enter the user ID with the service authority and password.
- Select **Start a service tool > Hardware service manager > Logical hardware resources > System bus resources.**
- Select the function key for **Include nonreporting resources.**
- If the IOP and IOA that you just replaced is a failed or nonreporting resource, the problem has not been fixed. Continue to the next failing item in the failing item list. **This ends the procedure.**

No: Perform the verification procedures in the Service functions topics to verify that the problem is corrected. Resources that usually vary on automatically during an IPL, or that were previously varied on manually, might need to be varied on again after the verification procedures are complete. Return the system to the customer and have the customer verify the system date and time. **This ends the procedure.**

Verifying the repair in Linux

You can use this procedure to verify that a repair is complete by using the Linux operating system.

1. Run stand-alone diagnostics from either a CD or from a Network Installation Management (NIM) server. See Running the stand-alone diagnostics from CD-ROM.

Did you encounter any problems?

No Reboot the operating system and continue with the close of call procedure.

Yes If the original problem still exists, replace the field-replaceable unit (FRU) or perform the isolation procedure that is next in the FRU list. If you have reached the end of the FRU list, contact your next level of support.

If a new problem has occurs go to Beginning problem analysis and repair the new problem.

Verifying the repair from the management console

Perform these procedures to close problem numbers, clear hardware messages, and prepare the server to return to the customer by using the management console.

Follow this checklist before performing the procedures:

- You return the server to the state that the customer normally uses, such as IPL type, IPL mode, and the way the system is configured or partitioned.

Attention: Before returning the system to the customer, remove the system from service mode. If the system is left in service mode, it automatically places a call for service every 2 hours.

- While you were performing the problem analysis on the original serviceable event, other serviceable-event numbers might have been opened. Close all serviceable events that were opened as a result of your service activity.

- Server verification has been performed and there are no problems that require additional service actions.
- If the repair was done by using the HMC online repair procedures, ensure that the original serviceable event is now closed.

1. Is a management console used to manage the server that you are servicing?

- **Yes:** Continue with the next step.
 - **No:** Return to the “Verifying a repair” on page 145. **This ends the procedure.**
-

2. Are you closing a service event that was a repair on the management console personal computer?

- **Yes:** Continue with the next step.
 - **No:** Go to step 4.
-

3. Power on the management console. Did the power-on process complete without errors?

- **Yes:** Ensure that the management console can be used to perform server management tasks, and return the management console to normal operations. Go to “Closing a service call” on page 153. **This ends the procedure.**
 - **No:** Go to the *HMC isolation procedures*. **This ends the procedure.**
-

4. Log into the management console as the service representative. If invalid user or invalid password is displayed, get the correct login information from the system administrator.

1. If logged into the System Manager, select **Exit from the Console**, located in the System Manager window.
 2. Log in to the System Manager with the following:
 - User identification - service
 - Password - service mode
-

5. View Serviceable Event Details.

1. In the navigation area, click **Service Applications**.
 2. In the navigation area, click **Service Focal Point**.
 3. In the Contents area, click **Manage Serviceable Events**.
 4. Designate the set of Serviceable Events you want to view. When you are finished, click **OK**. The **Service Event Overview** window opens.
-

Note: Only the events that match all of the criteria you specify are shown.

6. Close open or delayed events.

1. Select the problem to close in the Service Event Overview window.
 2. Select the **Selected** menu, located on the menu bar.
 3. Click **Close Event**.
 4. Enter your comments in the **Serviceable Event Comments** window, and click **Close Event**.
 5. Close all events associated with the problem on which you were working.
-

7. Did the Service Event Overview window contain the event or events on which you were working?

- **Yes:** Return the HMC to normal operations. Go to “Closing a service call” on page 153. **This ends the procedure.**
 - **No:** Go to Detecting problems. **This ends the procedure.**
-

Closing a service call

Perform these procedures to close serviceable events, clear hardware messages, and prepare the server to return to the customer.

Follow this checklist before performing the procedure:

- Return the server to the state that the customer normally uses such as IPL type, IPL mode, and the way the system is configured or partitioned.
Attention: Before returning the system to the customer, remove the system from service mode. If the system is left in service mode, it automatically places a call for service every two hours.
- While you were performing the problem analysis on the original serviceable event, other serviceable events might have been opened. Close all serviceable events that were opened as a result of your service activity.
- Ensure that server verification has been performed and no problems require additional service actions.
- If the repair was done using the management console online repair procedures, ensure that the original serviceable event is now closed.
 1. Record the system reference code (SRC), or symptom, and the location code of the field-replaceable unit (FRU) you replaced, for future reference. Is the server managed by a management console?

- **Yes:** Continue with the next step.

- **No:** Do one of the following steps:

- If the server is managed by Integrated Virtualization Manager (IVM), go to “Closing a service call by using Integrated Virtualization Manager” on page 161.
 - If the server is not partitioned and is running the AIX or Linux operating system, go to “Closing a service call by using AIX or Linux” on page 157.
-

2. On the Hardware Management Console (HMC), open **Manage Serviceable Events** and examine the service action event log for any open service action events.
-

3. Are any service action events open?

- **Yes:** Continue with the next step.

- **No:** If the system attention LED is still on, turn off the LED as described in “Activating and deactivating LEDs” on page 165. Return the system to the customer. **This completes the repair.**

4. Record the list of open service action events.
-

5. From the list of serviceable events recorded in step 4, complete the following steps 6 - step 32 on page 156 for each open service action event.
-

6. Determine the error class of the serviceable event. Record for future use.
-

7. Examine the details of the open service action event.

Is the error code that is associated with this service action event the same as recorded in step 1?

- **Yes:** Go to step 11.
 - **No:** Continue with the next step.
-

8. Examine the FRU list of the service action event. Are any FRUs listed for the service action event?

- **Yes:** Continue with the next step.
 - **No:** Go to step 11.
-

9. Is the FRU list identical that is, the same FRUs, same number of FRUs, and same order of FRUs) to the FRU list of the error code recorded in step 1 on page 153?

- **Yes:** Go to step 11.
 - **No:** Continue with the next step.
-

10. The FRU list is different. Is the FRU you replaced and recorded in step 1 on page 153 in the list of FRUs for this service action event?

- **Yes:** Continue with the next step.
 - **No:** Go to step 32 on page 156.
Note: Some service action events will remain open when you leave this MAP. Further service actions might be required to complete the repair.
-

11. Examine the details of this service action event, and record the partitions involved in this service action event for use in a later step.

12. Is the error code associated with this service action event of the form A11-xxx or A01-xxx?

- **Yes:** Continue with the next step.
 - **No:** Go to step 17.
-

13. Have you begun a list of Axx partitions from prior service action events that you processed in this MAP?

- **Yes:** Go to step 15.
 - **No:** Continue with the next step.
-

14. Begin a new list of Axx partitions by copying the list of partitions obtained in step 11. Go to step 16.

15. Add the partition list obtained in step 11 to the existing list of Axx partitions obtained from processing previous service action events in this maintenance analysis procedure (MAP).

16. Remove all entries in the list of all partitions you recorded in step 11. If you are referred to the list of partitions obtained in step 11 in future steps, the list is empty. Go to step 17.

17. Select and highlight the service action event from the Error Associated With This Serviceable Event window.

18. Click **Close Event**.

19. Add comments for the serviceable event. Include any unique additional information. Click **OK**. The following steps will add or update FRU information.

20. Did you replace, add, or modify a FRU of the open service action event?

- **Yes:** Continue with the next step.
 - **No:** Go to step 22.
-

21. From the FRU list, select a FRU that you need to update. Double-click the FRU, and update the FRU information. Go to step 23.

22. Select the **No FRU Replaced for this Serviceable Event** option.

23. Click **OK** to close the service action event.

24. Is the list of all partitions you recorded in step 11 on page 154 empty?

- **Yes:** Go to step 32 on page 156.
 - **No:** Continue with the next step.
-

25. Does the list of all partitions you recorded in step 11 on page 154 contain more than one entry?

- **Yes:** Continue with the next step.
 - **No:** Go to step 32 on page 156.
-

26. Is the error class recorded in step 25 AIX?

- **Yes:** Continue with the next step.
 - **No:** Go to step 32 on page 156.
-

27. Perform all the following steps for each entry in the list of all partitions you recorded in step 11 on page 154, except for the partition you were using to debug the original problem.

28. From the list of all partitions, open the HMC virtual terminal window of a partition, and then type `diag` at the AIX command prompt.

29. When the diagnostic operating instructions are displayed, complete the following steps:

1. Press Enter.
2. Select the **Task Selection** option.
3. Select the **Log Repair** option.
4. Select the resource associated with the repair action:
 - If the repair action was reseating a cable or adapter, select the resource associated with that repair action.
 - If the resource associated with your repair action is not displayed on the Resource List, select **sysplanar0**.
5. Click **Commit** after you make your selection.

Note: If the terminal type is not defined, you are prompted to define it before you can proceed.

30. Exit from diagnostics in this partition and return to the AIX command prompt.
-

31. Have all the partitions in the list of all the partitions you recorded in step 11 on page 154 been processed?

- **Yes:** Continue with the next step.
 - **No:** Go to step 24 on page 155 to process the next partition in the list you recorded in step 11 on page 154.
-

32. Have all the serviceable events recorded in step 4 on page 153 been processed?

- **Yes:** Continue with the next step.
 - **No:** Go to step 5 on page 153 and process the next service action event in the list of serviceable events recorded in step 4 on page 153.
-

33. While processing all service action events, were you directed to step 14 on page 154?

- **Yes:** Continue with the next step.
 - **No:** If the system attention LED is still on, turn off the LED as described in “Activating and deactivating LEDs” on page 165. Return the system to the customer. **This completes the repair.**
Note: If, during the processing of the list of open service action events, some service action events remained open, further service actions might be required to complete the repair.
-

34. Perform all the following steps for each entry in the list of *Axx* partitions you began recording in step 14 on page 154, except for the partition you were using to debug the original problem.
-

35. From the list of *Axx* partitions, open the management console virtual terminal window of a partition , and then type `diag` at the AIX command prompt.
-

36. When the diagnostic operating instructions are displayed, complete the following steps:

1. Press Enter.
 2. Select the **Task Selection** option.
Note: If the terminal type is not defined, you are prompted to define it before you can proceed.
 3. Select the resource associated with the repair action:
 - If the repair action was reseating a cable or adapter, select the resource associated with that repair action.
 - If the resource associated with your repair action is not displayed on the Resource List, select **sysplanar0**.
 4. Click **Commit** after you make your selection.
-

37. Exit from diagnostics in this partition and return to the AIX command prompt.

38. Have all the partitions in the list of Axx partitions you began recording in step 14 on page 154 been processed?

- **Yes:** Continue with the next step.
 - **No:** Go to step 34 on page 156 to process the next partition in the list you recorded in step 14 on page 154.
-

39. If the system attention LED is still on, turn off the LED as described in “Activating and deactivating LEDs” on page 165. **This completes the repair.** Return the system to the customer.

Note: If, during the processing of the list of open service action events, some service action events remained open, further service actions might be required to complete the repair.

Closing a service call by using AIX or Linux

If the server is not connected to a management console and not using Integrated Virtualization Manager (IVM), perform these procedures to close serviceable events, clear hardware messages, and prepare the server to return to the customer.

Follow this checklist before performing the procedure:

- Return the server to the state that the customer normally uses, such as IPL type, IPL mode, and the way the system is configured or partitioned.
Attention: Before returning the system to the customer, remove the system from service mode. If the system is left in service mode, it automatically places a call for service every two hours.
 - While you were performing the problem analysis on the original serviceable event, other serviceable-event numbers might have been opened. Close all serviceable events that were opened as a result of your service activity.
 - Ensure that server verification has been performed and that no problems require additional service actions.
 - If the repair was done by using the IVM online repair procedures, ensure that the original serviceable event is now closed.
 1. Did you use a hot-swap operation by using an AIX diagnostics service aid to change the FRU?
 - **Yes:** Go to step 4 on page 158
 - **No:** Continue with the next step.
-

2. Do you have any field-replaceable units (FRUs) (for example cards, adapters, cables, or devices) that were removed during problem analysis that you want to put back into the system?

Note: If the system backplane or battery has been replaced and you are loading diagnostics from a server over a network, it might be necessary for the customer to set the network boot information for this system before diagnostics can be loaded. Also, set the system time and date information after the repair is completed.

- **Yes:** Reinstall all of the FRUs that were removed during problem analysis. Go to step 3
 - **No:** Continue with the next step.
-

3. Is the system or logical partition that you are performing a repair action on running the AIX operating system?

- **Yes:** Continue with the next step.
 - **No:** Go to step 5.
-

4. Does the system or logical partition you are performing a repair action on have the AIX operating system installed?

Note: If you have just replaced a hard disk in the root volume group, answer no to this question.

- **Yes:** Go to step 7 on page 159.
 - **No:** Continue with the next step.
-

5. Run stand-alone diagnostics in problem determination mode from either a CD-ROM or from a Network Installation Management (NIM) server.

Note: For instructions about running stand-alone diagnostics from a CD and not by using an HMC, go to Running the stand-alone diagnostics from CD on a server without an HMC attached.

For instructions about running stand-alone diagnostics from a NIM server, go to Running the stand-alone diagnostics from a Network Installation Management server.

Did you encounter any problems?

- **Yes:** Go to Problem analysis.
 - **No:** Continue with the next step.
-

6. The system hardware is functioning correctly.

If the system attention LED is still on, turn off the LED as described in "Activating and deactivating LEDs" on page 165.

This completes the repair.

Note: If, during the processing of the list of open service action events, some service action events remained open, further service actions might be required to complete the repair.

Return the server to the state that the customer normally uses, such as IPL type, IPL mode, and the way the system is configured or partitioned. This might require you to reboot the operating system.

Attention: Before returning the system to the customer, remove the system from service mode. If the system is left in service mode, it automatically places a call for service every two hours.

7. Complete the following steps:

1. If the system supports, do a slow boot on the system. For instructions, see Performing a slow boot. If the system does not support a slow boot, do a normal boot.
2. Power on the system.
3. Wait until the AIX operating system login prompt is displayed or until system activity on the operator panel or display has stopped.

Did the AIX Login Prompt display?

- **Yes:** Continue with the next step.
 - **No:** Go to Problem analysis.
-

8. If the Resource Repair Action menu is already displayed, go to 12 on page 160; otherwise, complete the following steps:

1. Log into the operating system, either with root authority (if needed, ask the customer to enter the password) or use the CE login.
 2. Enter the `diag -a` command and check for missing resources. Follow any instructions that are displayed. If a system request number (SRN) is displayed, suspect a loose card or connection. If no instructions are displayed, no resources were detected as missing. Continue with step 9.
-

9. Complete the following steps:

1. Enter `diag` at the command prompt and press **Enter**.
2. Select the **Diagnostics Routines** option.
3. When the Diagnostic Mode Selection menu is displayed, select **Problem determination**.
4. When the Advanced Diagnostic Selection menu is displayed, select the **All Resources** option. Alternatively, test the FRUs you exchanged and any devices that are attached to the FRUs you exchanged by selecting the diagnostics for the individual FRU.

Did the Resource Repair Action menu (801015) display?

- **Yes:** Go to step 13 on page 160.
 - **No:** Continue with the next step.
-

10. Did the TESTING COMPLETE, no trouble was found menu (801010) display?

- **Yes:** Continue with the next step.
 - **No:** There is still a problem. Go to Problem analysis.
-

11. Select the **Log Repair Action** option, if not previously logged, in the TASK SELECTION menu to update the AIX error log. If the repair action was reseating a cable or adapter, select the resource associated with that repair action.

If the resource associated with your action is not displayed on the resource list, select **sysplanar0**.

Note: If the system attention indicator is on, this will set it back to the normal state. Go to step 14 on page 161.

12. Run a test on a resource that has an entry in the AIX error log, in the system verification mode. If the test on the resource was successful, the Resource Repair Action menu is displayed.

After replacing a FRU, select the resource for that FRU from the Resource Repair Action menu. This updates the AIX error log to indicate that a system-detectable FRU has been replaced.

Note: If the system attention indicator is on, this action will set it back to the normal state.

To select the resource for the replaced FRU, complete the following steps:

1. Select the resource associated with the repair action:
 - If the repair action was reseating a cable or adapter, select the resource associated with that repair action.
 - If the resource associated with your repair action is not displayed on the Resource List, select **sysplanar0**.
2. Click **Commit** after you make your selection.

Did another Resource Repair Action (801015) display?

- **Yes:** Continue with the next step.
 - **No:** If the No Trouble Found menu is displayed, go to step 14 on page 161.
-

13.

Run a test on a resource that has an entry in the AIX error log, in the system verification mode. If the test on the resource was successful, the Resource Repair Action menu is displayed.

Note: The parent or child of the resource you just replaced might also require that you run the Resource Repair Action service aid on it.

After replacing that FRU, select the resource for that FRU from the Resource Repair Action menu. This updates the AIX error log to indicate that a system-detectable FRU has been replaced.

Note: If the system attention indicator is on, this action will set it back to the normal state.

To select the resource for the replaced FRU, complete the following steps:

1. Select the resource associated with the repair action:
 - If the repair action was reseating a cable or adapter, select the resource associated with that repair action.
 - If the resource associated with your repair action is not displayed on the Resource List, select **sysplanar0**.
2. Click **Commit** after you make your selection.

Did the No Trouble Found menu display?

- **Yes:** Continue with the next step.
 - **No:** Go to Problem analysis.
-

14. If you changed the service processor or network settings, as instructed in previous MAPs, restore the settings to the value they had prior to servicing the system. If you ran stand-alone diagnostics from CD-ROM, remove the stand-alone diagnostics CD-ROM from the system.

Did you perform service on a RAID subsystem that involved changing the PCI RAID adapter cache card or changing the configuration?

Note: This does not refer to the PCI-X RAID adapter or cache.

- **Yes:** Continue with the next step.
 - **No:** Go to step 16.
-

15. Use the **Recover Options** selection to resolve the RAID configuration. To do this, complete the following steps:

1. On the PCI SCSI Disk Array Manager dialog, select **Recovery options**.
 2. Select **Clear PCI SCSI Adapter Configuration** and press F3 to clear any previous configuration data that exists on the replacement adapter.
 3. On the Recovery Options dialog, select **Resolve PCI SCSI RAID Adapter Configuration**.
 4. On the Resolve PCI SCSI RAID Adapter Configuration dialog, select **Accept Configuration on Drives**.
 5. On the PCI SCSI RAID Adapter selections menu, select the adapter that you changed.
 6. On the next dialog, press Enter.
 7. When you see the Are You Sure selection menu, press Enter to continue. When the recovery action is complete, the status message of **OK** is shown.
 8. If you receive a status message of **Failed**, verify that you selected the correct adapter, and then repeat this procedure. When recovery is complete, exit the operating system.
 9. Go to step 16.
-

16. The system hardware is functioning correctly. Return the server to the state that the customer normally uses, such as IPL type, IPL mode, and the way the system is configured or partitioned.

Attention: Before returning the system to the customer, remove the system from service mode. If the system is left in service mode, it automatically places a call for service every two hours.

Closing a service call by using Integrated Virtualization Manager

Perform these procedures to close serviceable events, clear hardware messages, and prepare the server to return to the customer.

Follow this checklist before performing the procedure:

- Return the server to the state that the customer normally uses, such as IPL type, IPL mode, and the way the system is configured or partitioned.
Attention: Before returning the system to the customer, remove the system from service mode. If the system is left in service mode, it automatically places a call for service every two hours.
 - While you were performing the problem analysis on the original serviceable event, other serviceable-event numbers might have been opened. Close all serviceable events that were opened as a result of your service activity.
 - Ensure that server verification has been performed and there are no problems that require additional service actions.
 - If the repair was done by using the Integrated Virtualization Manager (IVM) online repair procedures, ensure that the original serviceable event is now closed.
1. Record the system reference code (SRC), or symptom, and the location code of the field-replaceable unit (FRU) you replaced for future reference.

2. On the IVM, open **Manage Serviceable Events** and look at existing serviceable events.

3. Are there any service action events that are open?

- **Yes:** Continue with the next step.
 - **No:** If the system attention LED is still on, turn off the LED as described in “Activating and deactivating LEDs” on page 165. Return the system to the customer. **This completes the repair.**
-

4. Record the list of open service action events.

5. From the list of serviceable events recorded in step 4, complete steps 6 - 30 on page 164 for each open service action event.

6. Determine the error class of the serviceable event. Record it for future use.

7. Examine the details of the open service action event.

Is the error code associated with this service action event the same as recorded in step 1 on page 161?

- **Yes:** Go to step 11.
 - **No:** Continue with the next step.
-

8. Examine the FRU list of the service action event. Are any FRUs listed for the service action event?

- **Yes:** Continue with the next step.
 - **No:** Go to step 11.
-

9. Is the FRU list identical that is, the same FRUs, same number of FRUs, and same order of FRUs) to the FRU list of the error code recorded in step 1 on page 161?

- **Yes:** Go to step 11.
 - **No:** Continue with the next step.
-

10. Is the FRU you replaced and recorded in step 1 on page 161 in the list of FRUs for this service action event?

- **Yes:** Continue with the next step.
 - **No:** Go to step 30 on page 164.
Note: Some service action events remain open when you leave this MAP. Further service actions might be required to complete the repair.
-

11. Examine the details of this service action event, and record the partitions involved in this service action event for use in a later step.

12. Is the error code associated with this service action event of the form A11-xxx or A01-xxx?

- **Yes:** Continue with the next step.
 - **No:** Go to step 17.
-

13. Have you begun a list of Axx partitions from prior service action events that you processed in this maintenance analysis procedure (MAP)?

- **Yes:** Go to step 15.
 - **No:** Continue with the next step.
-

14. Begin a new list of Axx partitions by copying the list of partitions obtained in step 11 on page 162. Go to step 16.

15. Add the partition list obtained in step 11 on page 162 to the existing list of Axx partitions obtained from processing previous service action events in this MAP.

16. Remove all entries in the list of all partitions you recorded in step 11 on page 162. If you are referred to the list of partitions obtained in step 11 on page 162 in future steps, the list is empty. Go to step 17.

17. Select and highlight the service action event from the Manage Serviceable Events window.

18. Click **Close Event**.

19. Add comments for the serviceable event. Include any unique additional information. Click **OK**.

20. Add or update the FRU information:

Did you replace, add, or modify a FRU of the open service action event?

- **Yes:** Continue with the next step.
 - **No:** Go to step 22.
-

21. Click **OK** to close the service action event.

22. Is the list of all partitions you recorded in step 11 on page 162 empty?

- **Yes:** Go to step 30.
 - **No:** Continue with the next step.
-

23. Does the list of all partitions you recorded in step 11 on page 162 contain more than one entry?

- **Yes:** Continue with the next step.
 - **No:** Go to step 30.
-

24. Is the error class recorded in step 23?

- **Yes:** Continue with the next step.
 - **No:** Go to step 30.
-

25. Perform all the following steps for each entry in the list of all partitions you recorded in step 11 on page 162, except for the partition you were using to debug the original problem.

26. From the list of all partitions, open the IVM virtual terminal window of a partition, and then type `diag` at the AIX command prompt.

27. When the diagnostic operating instructions are displayed, complete the following steps:

1. Press Enter.
2. Select the **Task Selection** option.
3. Select the **Log Repair** option.
4. Select the resource associated with the repair action:
 - If the repair action was reseating a cable or adapter, select the resource associated with that repair action.
 - If the resource associated with your repair action is not displayed on the Resource List, select **sysplanar0**.
5. Click **Commit** after you make your selection.

Note: If the terminal type is not defined, you are prompted to define it before you can proceed.

28. Exit from diagnostics in this partition and return to the AIX command prompt.

29. Have all the partitions in the list of all partitions you recorded in step 11 on page 162 been processed?

- **Yes:** Continue with the next step.
 - **No:** Go to step 25 to process the next partition in the list you recorded in step 11 on page 162.
-

30. Have all the serviceable events recorded in step 4 on page 162 been processed?

- **Yes:** Continue with the next step.
 - **No:** Go to step 5 on page 162 and process the next service action event in the list of serviceable events recorded in step 4 on page 162.
-

31. While processing all service action events, were you directed to step 14 on page 163?

- **Yes:** Continue with the next step.
 - **No:** If the system attention LED is still on, turn off the LED as described in “Activating and deactivating LEDs.” Return the system to the customer. **This completes the repair.**
Note: If during the processing of the list of open service action events, some service action events remained open, further service actions might be required to complete the repair.
-

32. Complete all the following steps for each entry in the list of Axx partitions you began recording in step 14 on page 163, except for the partition you were using to debug the original problem.

33. From the list of Axx partitions, open the management console virtual terminal window of a partition , and then type `diag` at the AIX command prompt.

34. When the diagnostic operating instructions are displayed, complete the following steps:

1. Press Enter.
 2. Select the **Task Selection** option.
Note: If the terminal type is not defined, you are prompted to define it before you can proceed.
 3. Select the **Log Repair** option.
 4. Select the resource associated with the repair action:
 - If the repair action was reseating a cable or adapter, select the resource associated with that repair action.
 - If the resource associated with your repair action is not displayed on the Resource List, select **sysplanar0**.
 5. Click **Commit** after you make your selection.
-

35. Exit from diagnostics in this partition and return to the AIX command prompt.

36. Have all the partitions in the list of Axx partitions you began recording in step 14 on page 163 been processed?

- **Yes:** Continue with the next step.
 - **No:** Go to step 32 to process the next partition in the list you recorded in step 14 on page 163.
-

37. If the system attention LED is still on, turn off the LED as described in “Activating and deactivating LEDs.” **This completes the repair.** Return the system to the customer.

Note: If, during the processing of the list of open service action events, some service action events remained open, further service actions might be required to complete the repair.

Activating and deactivating LEDs

You can use these procedures to activate or deactivate light-emitting diodes (LEDs) by using the management console or the Advanced System Management Interface (ASMI).

For IBM Power Systems servers that contain the POWER7 processor, the LEDs can be used to identify or verify a part that you are servicing. The error and identify function (amber) LED indicates an error and corresponds to the location code in the system reference code (SRC). The LED is activated and deactivated automatically.

Additionally, the following procedures can also be used to activate and deactivate LEDs.

- “Deactivating a system attention LED or partition LED by using the management console”
- “Activating or deactivating an identify LED by using the management console” on page 167
- “Deactivating a system attention LED or logical partition LED by using the Advanced System Management Interface” on page 167
- “Activating or deactivating an identify LED by using the Advanced System Management Interface” on page 168

Deactivating a system attention LED or partition LED by using the management console

You can deactivate a system attention LED or a logical partition LED if you decide that a problem is not a high priority and you decide to repair the problem at a later time. You can do this task from the Hardware Management Console (HMC) or the IBM Systems Director Management Console (SDMC).

If you want to be alerted if another problem occurs, you must deactivate the system attention LED so that it can be activated again if another problem occurs.

To deactivate a system attention LED by using the HMC, complete the following steps:

1. In the navigation area, open **Systems management**.
2. Select the server you are working on.
3. Open **Operations > LED Status**.
4. Select **View System Attention**. The System attention LED window opens. The selected system and its LED state are displayed in the upper part of the window. The logical partition and its LED state are displayed in the lower part of the window. From the system attention LED window, you can deactivate both the System attention LED and the logical partition LED.
5. Select **Deactivate System Attention LED** from the **Action** menu. A confirmation window is displayed that provides the following information:
 - A verification that the system attention LED was deactivated.
 - An indication that there still might be open problems within the system.
 - An indication that you cannot activate the system attention LED.
6. Select one of the logical partitions in the lower table, and select **Deactivate partition LED** from the **Partition Operations** menu. A confirmation window is displayed that provides the following information:
 - A verification that the logical partition LED was deactivated.
 - An indication that there still might be open problems within the logical partition.
 - An indication that you cannot activate the logical partition LED.

To deactivate a system attention LED by using the SDMC, complete the following steps:

1. On the **Welcome** page, under the **Resources** tab, select the server.
2. Click **Actions > Service and Support > Hardware > System Attention LED**.
3. Click **OK**.

Activating or deactivating an identify LED by using the management console

You can activate or deactivate an identify LED for components attached to the system from the Hardware Management Console (HMC) or from the IBM Systems Director Management Console (SDMC).

The system provides several LEDs that help identify various components in the system, such as enclosures or field-replaceable units (FRUs). For this reason, they are called *identify LEDs*.

You can activate or deactivate the following types of identify LEDs:

- **Identify LED for an enclosure.** If you want to add an adapter to a specific drawer (enclosure), you need to know the machine type, model, and serial number (MTMS) of the drawer. To determine whether you have the correct MTMS for the drawer that needs the new adapter, you can activate the LED for a drawer and verify that the MTMS corresponds to the drawer that requires the new adapter.
- **Identify LED for a FRU associated with a specified enclosure.** If you want to hook up a cable to a specific I/O adapter, you can activate the LED for the adapter, which is a field replaceable unit (FRU), and then physically check to see where you should connect the cable. This is especially useful when you have several adapters with open ports.

To activate or deactivate an identify LED for an enclosure or FRU by using the HMC, follow these steps:

1. In the navigation area, open **Systems management**.
2. Select the server you are working on.
3. Click **Operations > LED Status > Identify LED**. The Identify LED, Select Enclosure window opens.
4. To activate or deactivate an identify LED for an enclosure, select an enclosure from the table, and click either **Activate LED** or **Deactivate LED**. The associated LED is either turned on or off.
5. To activate or deactivate an identify LED for a FRU, select an enclosure from the table, and then select **Selected > List FRUs**.
6. Select one or more FRUs from the table, and click either **Activate LED** or **Deactivate LED**. The associated LED is either turned on or off.

To activate or deactivate an identify LED for an enclosure or FRU by using the SDMC, complete these steps:

1. On the **Welcome** page, under the **Resources** tab, select the server.
2. Click **Actions > Service and Support > Hardware > Identify LED**.
3. To activate or deactivate an identify LED for an enclosure, select an enclosure from the table, and click either **Activate LED** or **Deactivate LED**. The associated LED is either turned on or off.
4. To activate or deactivate an identify LED for a FRU, select an enclosure from the table, and then click **List FRUs**.
5. Select one or more FRUs from the table, and then click either **Activate LED** or **Deactivate LED**. The associated LED is either turned on or off.

Deactivating a system attention LED or logical partition LED by using the Advanced System Management Interface

You can deactivate a system attention LED or a logical partition LED by using the Advanced System Management Interface (ASMI).

The system attention indicator provides a visual signal that the system as a whole requires attention or service. Each system has a single system attention indicator. When an event occurs that either needs your intervention or that of service and support, the system attention indicator lights continuously. The system attention indicator is turned on when an entry is made in the service processor error log. The error entry is transmitted to the system error log and to the operating system error log.

To perform this operation, your authority level must be one of the following levels:

- Administrator
- Authorized service provider

To turn off the system attention indicator, do the following steps:

1. In the ASMI Welcome pane, specify your user ID and password, and click **Log In**.
2. In the navigation area, expand **System Configuration > Service Indicators > System Attention Indicator**.
3. In the right pane, click **Turn off system attention indicator**. If the attempt is unsuccessful, an error message is displayed.

Activating or deactivating an identify LED by using the Advanced System Management Interface

You can activate or deactivate an identify LED by using the Advanced System Management Interface (ASMI).

You can specify the location code of any indicator to view or modify its current state. If you provide the wrong location code, the advanced system manager attempts to go to the next higher level of the location code.

The next level is the base-level location code for that field replaceable unit (FRU). For example, a user types the location code for the FRU located on the second I/O slot of the third enclosure in the system. If the location code for the second I/O slot is incorrect (the FRU does not exist at this location), an attempt to set the indicator for the third enclosure is initiated. This process continues until a FRU is located or no other level is available.

To perform this operation, your authority level must be one of the following levels:

- Administrator
- Authorized service provider

To change the current state of an indicator, do the following steps:

1. On the ASMI Welcome pane, specify your user ID and password, and click **Log In**.
2. In the navigation area, expand **System Configuration > Service Indicators > Indicators by Location code**.
3. In the right pane, enter the location code of the FRU and click **Continue**.
4. Select the preferred state from the list.
5. Click **Save settings**.

Notices

This information was developed for products and services offered in the U.S.A.

The manufacturer may not offer the products, services, or features discussed in this document in other countries. Consult the manufacturer's representative for information on the products and services currently available in your area. Any reference to the manufacturer's product, program, or service is not intended to state or imply that only that product, program, or service may be used. Any functionally equivalent product, program, or service that does not infringe any intellectual property right of the manufacturer may be used instead. However, it is the user's responsibility to evaluate and verify the operation of any product, program, or service.

The manufacturer may have patents or pending patent applications covering subject matter described in this document. The furnishing of this document does not grant you any license to these patents. You can send license inquiries, in writing, to the manufacturer.

The following paragraph does not apply to the United Kingdom or any other country where such provisions are inconsistent with local law: THIS PUBLICATION IS PROVIDED "AS IS" WITHOUT WARRANTY OF ANY KIND, EITHER EXPRESS OR IMPLIED, INCLUDING, BUT NOT LIMITED TO, THE IMPLIED WARRANTIES OF NON-INFRINGEMENT, MERCHANTABILITY OR FITNESS FOR A PARTICULAR PURPOSE. Some states do not allow disclaimer of express or implied warranties in certain transactions, therefore, this statement may not apply to you.

This information could include technical inaccuracies or typographical errors. Changes are periodically made to the information herein; these changes will be incorporated in new editions of the publication. The manufacturer may make improvements and/or changes in the product(s) and/or the program(s) described in this publication at any time without notice.

Any references in this information to websites not owned by the manufacturer are provided for convenience only and do not in any manner serve as an endorsement of those websites. The materials at those websites are not part of the materials for this product and use of those websites is at your own risk.

The manufacturer may use or distribute any of the information you supply in any way it believes appropriate without incurring any obligation to you.

Any performance data contained herein was determined in a controlled environment. Therefore, the results obtained in other operating environments may vary significantly. Some measurements may have been made on development-level systems and there is no guarantee that these measurements will be the same on generally available systems. Furthermore, some measurements may have been estimated through extrapolation. Actual results may vary. Users of this document should verify the applicable data for their specific environment.

Information concerning products not produced by this manufacturer was obtained from the suppliers of those products, their published announcements or other publicly available sources. This manufacturer has not tested those products and cannot confirm the accuracy of performance, compatibility or any other claims related to products not produced by this manufacturer. Questions on the capabilities of products not produced by this manufacturer should be addressed to the suppliers of those products.

All statements regarding the manufacturer's future direction or intent are subject to change or withdrawal without notice, and represent goals and objectives only.

The manufacturer's prices shown are the manufacturer's suggested retail prices, are current and are subject to change without notice. Dealer prices may vary.

This information is for planning purposes only. The information herein is subject to change before the products described become available.

This information contains examples of data and reports used in daily business operations. To illustrate them as completely as possible, the examples include the names of individuals, companies, brands, and products. All of these names are fictitious and any similarity to the names and addresses used by an actual business enterprise is entirely coincidental.

If you are viewing this information in softcopy, the photographs and color illustrations may not appear.

The drawings and specifications contained herein shall not be reproduced in whole or in part without the written permission of the manufacturer.

The manufacturer has prepared this information for use with the specific machines indicated. The manufacturer makes no representations that it is suitable for any other purpose.

The manufacturer's computer systems contain mechanisms designed to reduce the possibility of undetected data corruption or loss. This risk, however, cannot be eliminated. Users who experience unplanned outages, system failures, power fluctuations or outages, or component failures must verify the accuracy of operations performed and data saved or transmitted by the system at or near the time of the outage or failure. In addition, users must establish procedures to ensure that there is independent data verification before relying on such data in sensitive or critical operations. Users should periodically check the manufacturer's support websites for updated information and fixes applicable to the system and related software.

Homologation statement

This product may not be certified in your country for connection by any means whatsoever to interfaces of public telecommunications networks. Further certification may be required by law prior to making any such connection. Contact an IBM representative or reseller for any questions.

Trademarks

IBM, the IBM logo, and ibm.com are trademarks or registered trademarks of International Business Machines Corp., registered in many jurisdictions worldwide. Other product and service names might be trademarks of IBM or other companies. A current list of IBM trademarks is available on the web at Copyright and trademark information at www.ibm.com/legal/copytrade.shtml.

Linux is a registered trademark of Linus Torvalds in the United States, other countries, or both.

Electronic emission notices

When attaching a monitor to the equipment, you must use the designated monitor cable and any interference suppression devices supplied with the monitor.

Class A Notices

The following Class A statements apply to the IBM servers that contain the POWER7 processor and its features unless designated as electromagnetic compatibility (EMC) Class B in the feature information.

Federal Communications Commission (FCC) statement

Note: This equipment has been tested and found to comply with the limits for a Class A digital device, pursuant to Part 15 of the FCC Rules. These limits are designed to provide reasonable protection against harmful interference when the equipment is operated in a commercial environment. This equipment generates, uses, and can radiate radio frequency energy and, if not installed and used in accordance with

the instruction manual, may cause harmful interference to radio communications. Operation of this equipment in a residential area is likely to cause harmful interference, in which case the user will be required to correct the interference at his own expense.

Properly shielded and grounded cables and connectors must be used in order to meet FCC emission limits. IBM is not responsible for any radio or television interference caused by using other than recommended cables and connectors or by unauthorized changes or modifications to this equipment. Unauthorized changes or modifications could void the user's authority to operate the equipment.

This device complies with Part 15 of the FCC rules. Operation is subject to the following two conditions: (1) this device may not cause harmful interference, and (2) this device must accept any interference received, including interference that may cause undesired operation.

Industry Canada Compliance Statement

This Class A digital apparatus complies with Canadian ICES-003.

Avis de conformité à la réglementation d'Industrie Canada

Cet appareil numérique de la classe A est conforme à la norme NMB-003 du Canada.

European Community Compliance Statement

This product is in conformity with the protection requirements of EU Council Directive 2004/108/EC on the approximation of the laws of the Member States relating to electromagnetic compatibility. IBM cannot accept responsibility for any failure to satisfy the protection requirements resulting from a non-recommended modification of the product, including the fitting of non-IBM option cards.

This product has been tested and found to comply with the limits for Class A Information Technology Equipment according to European Standard EN 55022. The limits for Class A equipment were derived for commercial and industrial environments to provide reasonable protection against interference with licensed communication equipment.

European Community contact:
IBM Deutschland GmbH
Technical Regulations, Department M372
IBM-Allee 1, 71139 Ehningen, Germany
Tele: +49 7032 15 2941
email: lugi@de.ibm.com

Warning: This is a Class A product. In a domestic environment, this product may cause radio interference, in which case the user may be required to take adequate measures.

VCCI Statement - Japan

この装置は、クラスA情報技術装置です。この装置を家庭環境で使用すると電波妨害を引き起こすことがあります。この場合には使用者が適切な対策を講ずるよう要求されることがあります。

VCCI-A

The following is a summary of the VCCI Japanese statement in the box above:

This is a Class A product based on the standard of the VCCI Council. If this equipment is used in a domestic environment, radio interference may occur, in which case, the user may be required to take corrective actions.

Japanese Electronics and Information Technology Industries Association (JEITA) Confirmed Harmonics Guideline (products less than or equal to 20 A per phase)

高調波ガイドライン適合品

Japanese Electronics and Information Technology Industries Association (JEITA) Confirmed Harmonics Guideline with Modifications (products greater than 20 A per phase)

高調波ガイドライン準用品

Electromagnetic Interference (EMI) Statement - People's Republic of China

声 明

此为 A 级产品,在生活环境中,
该产品可能会造成无线电干扰。
在这种情况下,可能需要用户对其
干扰采取切实可行的措施。

Declaration: This is a Class A product. In a domestic environment this product may cause radio interference in which case the user may need to perform practical action.

Electromagnetic Interference (EMI) Statement - Taiwan

警告使用者：

這是甲類的資訊產品，在
居住的環境中使用時，可
能會造成射頻干擾，在這
種情況下，使用者會被要
求採取某些適當的對策。

The following is a summary of the EMI Taiwan statement above.

Warning: This is a Class A product. In a domestic environment this product may cause radio interference in which case the user will be required to take adequate measures.

IBM Taiwan Contact Information:

台灣IBM 產品服務聯絡方式：
台灣國際商業機器股份有限公司
台北市松仁路7號3樓
電話：0800-016-888

Electromagnetic Interference (EMI) Statement - Korea

이 기기는 업무용(A급)으로 전자파적합기기로서 판매자 또는 사용자는 이 점을 주의하시기 바라며, 가정외의 지역에서 사용하는 것을 목적으로 합니다.

Germany Compliance Statement

Deutschsprachiger EU Hinweis: Hinweis für Geräte der Klasse A EU-Richtlinie zur Elektromagnetischen Verträglichkeit

Dieses Produkt entspricht den Schutzanforderungen der EU-Richtlinie 2004/108/EG zur Angleichung der Rechtsvorschriften über die elektromagnetische Verträglichkeit in den EU-Mitgliedsstaaten und hält die Grenzwerte der EN 55022 Klasse A ein.

Um dieses sicherzustellen, sind die Geräte wie in den Handbüchern beschrieben zu installieren und zu betreiben. Des Weiteren dürfen auch nur von der IBM empfohlene Kabel angeschlossen werden. IBM übernimmt keine Verantwortung für die Einhaltung der Schutzanforderungen, wenn das Produkt ohne Zustimmung von IBM verändert bzw. wenn Erweiterungskomponenten von Fremdherstellern ohne Empfehlung von IBM gesteckt/eingebaut werden.

EN 55022 Klasse A Geräte müssen mit folgendem Warnhinweis versehen werden:

"Warnung: Dieses ist eine Einrichtung der Klasse A. Diese Einrichtung kann im Wohnbereich Funk-Störungen verursachen; in diesem Fall kann vom Betreiber verlangt werden, angemessene Maßnahmen zu ergreifen und dafür aufzukommen."

Deutschland: Einhaltung des Gesetzes über die elektromagnetische Verträglichkeit von Geräten

Dieses Produkt entspricht dem "Gesetz über die elektromagnetische Verträglichkeit von Geräten (EMVG)". Dies ist die Umsetzung der EU-Richtlinie 2004/108/EG in der Bundesrepublik Deutschland.

Zulassungsbescheinigung laut dem Deutschen Gesetz über die elektromagnetische Verträglichkeit von Geräten (EMVG) (bzw. der EMC EG Richtlinie 2004/108/EG) für Geräte der Klasse A

Dieses Gerät ist berechtigt, in Übereinstimmung mit dem Deutschen EMVG das EG-Konformitätszeichen - CE - zu führen.

Verantwortlich für die Einhaltung der EMV Vorschriften ist der Hersteller:
International Business Machines Corp.
New Orchard Road
Armonk, New York 10504
Tel: 914-499-1900

Der verantwortliche Ansprechpartner des Herstellers in der EU ist:
IBM Deutschland GmbH
Technical Regulations, Abteilung M372
IBM-Allee 1, 71139 Ehningen, Germany
Tel: +49 7032 15 2941
email: lugi@de.ibm.com

Generelle Informationen:

Das Gerät erfüllt die Schutzanforderungen nach EN 55024 und EN 55022 Klasse A.

Electromagnetic Interference (EMI) Statement - Russia

ВНИМАНИЕ! Настоящее изделие относится к классу А.
В жилых помещениях оно может создавать
радиопомехи, для снижения которых необходимы
дополнительные меры

Class B Notices

The following Class B statements apply to features designated as electromagnetic compatibility (EMC) Class B in the feature installation information.

Federal Communications Commission (FCC) statement

This equipment has been tested and found to comply with the limits for a Class B digital device, pursuant to Part 15 of the FCC Rules. These limits are designed to provide reasonable protection against harmful interference in a residential installation.

This equipment generates, uses, and can radiate radio frequency energy and, if not installed and used in accordance with the instructions, may cause harmful interference to radio communications. However, there is no guarantee that interference will not occur in a particular installation.

If this equipment does cause harmful interference to radio or television reception, which can be determined by turning the equipment off and on, the user is encouraged to try to correct the interference by one or more of the following measures:

- Reorient or relocate the receiving antenna.
- Increase the separation between the equipment and receiver.
- Connect the equipment into an outlet on a circuit different from that to which the receiver is connected.
- Consult an IBM-authorized dealer or service representative for help.

Properly shielded and grounded cables and connectors must be used in order to meet FCC emission limits. Proper cables and connectors are available from IBM-authorized dealers. IBM is not responsible for

any radio or television interference caused by unauthorized changes or modifications to this equipment. Unauthorized changes or modifications could void the user's authority to operate this equipment.

This device complies with Part 15 of the FCC rules. Operation is subject to the following two conditions: (1) this device may not cause harmful interference, and (2) this device must accept any interference received, including interference that may cause undesired operation.

Industry Canada Compliance Statement

This Class B digital apparatus complies with Canadian ICES-003.

Avis de conformité à la réglementation d'Industrie Canada

Cet appareil numérique de la classe B est conforme à la norme NMB-003 du Canada.

European Community Compliance Statement

This product is in conformity with the protection requirements of EU Council Directive 2004/108/EC on the approximation of the laws of the Member States relating to electromagnetic compatibility. IBM cannot accept responsibility for any failure to satisfy the protection requirements resulting from a non-recommended modification of the product, including the fitting of non-IBM option cards.

This product has been tested and found to comply with the limits for Class B Information Technology Equipment according to European Standard EN 55022. The limits for Class B equipment were derived for typical residential environments to provide reasonable protection against interference with licensed communication equipment.

European Community contact:
IBM Deutschland GmbH
Technical Regulations, Department M372
IBM-Allee 1, 71139 Ehningen, Germany
Tele: +49 7032 15 2941
email: lugi@de.ibm.com

VCCI Statement - Japan

この装置は、クラスB情報技術装置です。この装置は、家庭環境で使用することを目的としていますが、この装置がラジオやテレビジョン受信機に近接して使用されると、受信障害を引き起こすことがあります。

取扱説明書に従って正しい取り扱いをして下さい。 VCCI-B

Japanese Electronics and Information Technology Industries Association (JEITA) Confirmed Harmonics Guideline (products less than or equal to 20 A per phase)

高調波ガイドライン適合品

**Japanese Electronics and Information Technology Industries Association (JEITA)
Confirmed Harmonics Guideline with Modifications (products greater than 20 A per
phase)**

高調波ガイドライン準用品

IBM Taiwan Contact Information

台灣IBM 產品服務聯絡方式：
台灣國際商業機器股份有限公司
台北市松仁路7號3樓
電話：0800-016-888

Electromagnetic Interference (EMI) Statement - Korea

이 기기는 가정용(B급)으로 전자파적합기기로서 주로 가정에서 사용하는 것을 목적으로 하며, 모든 지역에서 사용할 수 있습니다.

Germany Compliance Statement

**Deutschsprachiger EU Hinweis: Hinweis für Geräte der Klasse B EU-Richtlinie zur
Elektromagnetischen Verträglichkeit**

Dieses Produkt entspricht den Schutzanforderungen der EU-Richtlinie 2004/108/EG zur Angleichung der Rechtsvorschriften über die elektromagnetische Verträglichkeit in den EU-Mitgliedsstaaten und hält die Grenzwerte der EN 55022 Klasse B ein.

Um dieses sicherzustellen, sind die Geräte wie in den Handbüchern beschrieben zu installieren und zu betreiben. Des Weiteren dürfen auch nur von der IBM empfohlene Kabel angeschlossen werden. IBM übernimmt keine Verantwortung für die Einhaltung der Schutzanforderungen, wenn das Produkt ohne Zustimmung von IBM verändert bzw. wenn Erweiterungskomponenten von Fremdherstellern ohne Empfehlung von IBM gesteckt/eingebaut werden.

Deutschland: Einhaltung des Gesetzes über die elektromagnetische Verträglichkeit von Geräten

Dieses Produkt entspricht dem "Gesetz über die elektromagnetische Verträglichkeit von Geräten (EMVG)". Dies ist die Umsetzung der EU-Richtlinie 2004/108/EG in der Bundesrepublik Deutschland.

**Zulassungsbescheinigung laut dem Deutschen Gesetz über die elektromagnetische Verträglichkeit von
Geräten (EMVG) (bzw. der EMC EG Richtlinie 2004/108/EG) für Geräte der Klasse B**

Dieses Gerät ist berechtigt, in Übereinstimmung mit dem Deutschen EMVG das EG-Konformitätszeichen - CE - zu führen.

Verantwortlich für die Einhaltung der EMV Vorschriften ist der Hersteller:

International Business Machines Corp.

New Orchard Road

Armonk, New York 10504

Tel: 914-499-1900

Der verantwortliche Ansprechpartner des Herstellers in der EU ist:

IBM Deutschland GmbH

Technical Regulations, Abteilung M372

IBM-Allee 1, 71139 Ehningen, Germany

Tel: +49 7032 15 2941

email: lugi@de.ibm.com

Generelle Informationen:

Das Gerät erfüllt die Schutzanforderungen nach EN 55024 und EN 55022 Klasse B.

Terms and conditions

Permissions for the use of these publications are granted subject to the following terms and conditions.

Applicability: These terms and conditions are in addition to any terms of use for the IBM website.

Personal Use: You may reproduce these publications for your personal, noncommercial use provided that all proprietary notices are preserved. You may not distribute, display or make derivative works of these publications, or any portion thereof, without the express consent of IBM.

Commercial Use: You may reproduce, distribute and display these publications solely within your enterprise provided that all proprietary notices are preserved. You may not make derivative works of these publications, or reproduce, distribute or display these publications or any portion thereof outside your enterprise, without the express consent of IBM.

Rights: Except as expressly granted in this permission, no other permissions, licenses or rights are granted, either express or implied, to the Publications or any information, data, software or other intellectual property contained therein.

IBM reserves the right to withdraw the permissions granted herein whenever, in its discretion, the use of the publications is detrimental to its interest or, as determined by IBM, the above instructions are not being properly followed.

You may not download, export or re-export this information except in full compliance with all applicable laws and regulations, including all United States export laws and regulations.

IBM MAKES NO GUARANTEE ABOUT THE CONTENT OF THESE PUBLICATIONS. THE PUBLICATIONS ARE PROVIDED "AS-IS" AND WITHOUT WARRANTY OF ANY KIND, EITHER EXPRESSED OR IMPLIED, INCLUDING BUT NOT LIMITED TO IMPLIED WARRANTIES OF MERCHANTABILITY, NON-INFRINGEMENT, AND FITNESS FOR A PARTICULAR PURPOSE.



Printed in USA