

Power Systems

*7316-TF4 18.5-Inch Flat Panel  
Rack-Mounted Monitor and Keyboard*

**IBM**



Power Systems

*7316-TF4 18.5-Inch Flat Panel  
Rack-Mounted Monitor and Keyboard*

**IBM**

**Note**

Before using this information and the product it supports, read the information in “Safety notices” on page v, “Notices” on page 49, the *IBM Systems Safety Notices* manual, G229-9054, and the *IBM Environmental Notices and User Guide*, Z125-5823.

This edition applies to IBM Power Systems™ servers that contain the POWER7 processor and to all associated models.

© Copyright IBM Corporation 2014.

US Government Users Restricted Rights – Use, duplication or disclosure restricted by GSA ADP Schedule Contract with IBM Corp.

---

# Contents

<b>Safety notices</b> . . . . .	<b>v</b>
<b>Installing the 7316-TF4 18.5-Inch Flat Panel Rack-Mounted monitor and keyboard.</b> . . . .	<b>1</b>
Overview of 7316-TF4 18.5-Inch Flat Panel Rack-Mounted Monitor and Keyboard . . . . .	1
Console features . . . . .	1
Check Your Inventory . . . . .	1
The IBM Documentation CD . . . . .	3
Hardware and software requirements . . . . .	3
Using the documentation browser . . . . .	3
Console unit specifications. . . . .	4
Rail-to-rail depth measurements . . . . .	4
Dimensions and weight. . . . .	4
Installing the 7316-TF4 18.5-Inch Flat Panel Rack-Mounted Monitor and Keyboard . . . . .	5
Installing the keyboard in the console unit . . . . .	6
Installing the console unit in the rack . . . . .	8
Installing the optional console switch. . . . .	14
Using the TFT-LCD display . . . . .	15
Using the on-screen display (OSD) menu . . . . .	16
Using the control buttons. . . . .	16
Using the display menu . . . . .	17
Maintaining the TFT-LCD display . . . . .	18
Technical specifications . . . . .	19
Supported resolution timing charts . . . . .	20
Hardware maintenance information . . . . .	25
Replaceable components . . . . .	25
Power cords . . . . .	26
Replacing the keyboard . . . . .	28
Replacing the cable-management arm . . . . .	30
Replacing the slide-rail assemblies. . . . .	32
Replacing the console unit . . . . .	38
Removing the console unit from the rack . . . . .	38
Moving the keyboard . . . . .	40
Removing and replacing the outer slide-rails . . . . .	41
Installing the console unit in the rack. . . . .	44
<b>Notices</b> . . . . .	<b>49</b>
Trademarks . . . . .	50
Electronic emission notices . . . . .	50
Class A Notices . . . . .	50
Class B Notices . . . . .	54
Terms and conditions . . . . .	57



---

## Safety notices

Safety notices may be printed throughout this guide:

- **DANGER** notices call attention to a situation that is potentially lethal or extremely hazardous to people.
- **CAUTION** notices call attention to a situation that is potentially hazardous to people because of some existing condition.
- **Attention** notices call attention to the possibility of damage to a program, device, system, or data.

### World Trade safety information

Several countries require the safety information contained in product publications to be presented in their national languages. If this requirement applies to your country, safety information documentation is included in the publications package (such as in printed documentation, on DVD, or as part of the product) shipped with the product. The documentation contains the safety information in your national language with references to the U.S. English source. Before using a U.S. English publication to install, operate, or service this product, you must first become familiar with the related safety information documentation. You should also refer to the safety information documentation any time you do not clearly understand any safety information in the U.S. English publications.

Replacement or additional copies of safety information documentation can be obtained by calling the IBM Hotline at 1-800-300-8751.

### German safety information

Das Produkt ist nicht für den Einsatz an Bildschirmarbeitsplätzen im Sinne § 2 der Bildschirmarbeitsverordnung geeignet.

### Laser safety information

IBM® servers can use I/O cards or features that are fiber-optic based and that utilize lasers or LEDs.

#### Laser compliance

IBM servers may be installed inside or outside of an IT equipment rack.

## DANGER

When working on or around the system, observe the following precautions:

Electrical voltage and current from power, telephone, and communication cables are hazardous. To avoid a shock hazard:

- Connect power to this unit only with the IBM provided power cord. Do not use the IBM provided power cord for any other product.
- Do not open or service any power supply assembly.
- Do not connect or disconnect any cables or perform installation, maintenance, or reconfiguration of this product during an electrical storm.
- The product might be equipped with multiple power cords. To remove all hazardous voltages, disconnect all power cords.
- Connect all power cords to a properly wired and grounded electrical outlet. Ensure that the outlet supplies proper voltage and phase rotation according to the system rating plate.
- Connect any equipment that will be attached to this product to properly wired outlets.
- When possible, use one hand only to connect or disconnect signal cables.
- Never turn on any equipment when there is evidence of fire, water, or structural damage.
- Disconnect the attached power cords, telecommunications systems, networks, and modems before you open the device covers, unless instructed otherwise in the installation and configuration procedures.
- Connect and disconnect cables as described in the following procedures when installing, moving, or opening covers on this product or attached devices.

To Disconnect:

1. Turn off everything (unless instructed otherwise).
2. Remove the power cords from the outlets.
3. Remove the signal cables from the connectors.
4. Remove all cables from the devices.

To Connect:

1. Turn off everything (unless instructed otherwise).
2. Attach all cables to the devices.
3. Attach the signal cables to the connectors.
4. Attach the power cords to the outlets.
5. Turn on the devices.

(D005)

## DANGER



Observe the following precautions when working on or around your IT rack system:

- Heavy equipment—personal injury or equipment damage might result if mishandled.
- Always lower the leveling pads on the rack cabinet.
- Always install stabilizer brackets on the rack cabinet.
- To avoid hazardous conditions due to uneven mechanical loading, always install the heaviest devices in the bottom of the rack cabinet. Always install servers and optional devices starting from the bottom of the rack cabinet.
- Rack-mounted devices are not to be used as shelves or work spaces. Do not place objects on top of rack-mounted devices.



- Each rack cabinet might have more than one power cord. Be sure to disconnect all power cords in the rack cabinet when directed to disconnect power during servicing.
- Connect all devices installed in a rack cabinet to power devices installed in the same rack cabinet. Do not plug a power cord from a device installed in one rack cabinet into a power device installed in a different rack cabinet.
- An electrical outlet that is not correctly wired could place hazardous voltage on the metal parts of the system or the devices that attach to the system. It is the responsibility of the customer to ensure that the outlet is correctly wired and grounded to prevent an electrical shock.

#### CAUTION

- Do not install a unit in a rack where the internal rack ambient temperatures will exceed the manufacturer's recommended ambient temperature for all your rack-mounted devices.
- Do not install a unit in a rack where the air flow is compromised. Ensure that air flow is not blocked or reduced on any side, front, or back of a unit used for air flow through the unit.
- Consideration should be given to the connection of the equipment to the supply circuit so that overloading of the circuits does not compromise the supply wiring or overcurrent protection. To provide the correct power connection to a rack, refer to the rating labels located on the equipment in the rack to determine the total power requirement of the supply circuit.
- *(For sliding drawers.)* Do not pull out or install any drawer or feature if the rack stabilizer brackets are not attached to the rack. Do not pull out more than one drawer at a time. The rack might become unstable if you pull out more than one drawer at a time.
- *(For fixed drawers.)* This drawer is a fixed drawer and must not be moved for servicing unless specified by the manufacturer. Attempting to move the drawer partially or completely out of the rack might cause the rack to become unstable or cause the drawer to fall out of the rack.

(R001)

**CAUTION:**

Removing components from the upper positions in the rack cabinet improves rack stability during relocation. Follow these general guidelines whenever you relocate a populated rack cabinet within a room or building:

- Reduce the weight of the rack cabinet by removing equipment starting at the top of the rack cabinet. When possible, restore the rack cabinet to the configuration of the rack cabinet as you received it. If this configuration is not known, you must observe the following precautions:
  - Remove all devices in the 32U position and above.
  - Ensure that the heaviest devices are installed in the bottom of the rack cabinet.
  - Ensure that there are no empty U-levels between devices installed in the rack cabinet below the 32U level.
- If the rack cabinet you are relocating is part of a suite of rack cabinets, detach the rack cabinet from the suite.
- Inspect the route that you plan to take to eliminate potential hazards.
- Verify that the route that you choose can support the weight of the loaded rack cabinet. Refer to the documentation that comes with your rack cabinet for the weight of a loaded rack cabinet.
- Verify that all door openings are at least 760 x 230 mm (30 x 80 in.).
- Ensure that all devices, shelves, drawers, doors, and cables are secure.
- Ensure that the four leveling pads are raised to their highest position.
- Ensure that there is no stabilizer bracket installed on the rack cabinet during movement.
- Do not use a ramp inclined at more than 10 degrees.
- When the rack cabinet is in the new location, complete the following steps:
  - Lower the four leveling pads.
  - Install stabilizer brackets on the rack cabinet.
  - If you removed any devices from the rack cabinet, repopulate the rack cabinet from the lowest position to the highest position.
- If a long-distance relocation is required, restore the rack cabinet to the configuration of the rack cabinet as you received it. Pack the rack cabinet in the original packaging material, or equivalent. Also lower the leveling pads to raise the casters off of the pallet and bolt the rack cabinet to the pallet.

(R002)

(L001)



(L002)



(L003)



or



All lasers are certified in the U.S. to conform to the requirements of DHHS 21 CFR Subchapter J for class 1 laser products. Outside the U.S., they are certified to be in compliance with IEC 60825 as a class 1 laser product. Consult the label on each part for laser certification numbers and approval information.

**CAUTION:**

This product might contain one or more of the following devices: CD-ROM drive, DVD-ROM drive, DVD-RAM drive, or laser module, which are Class 1 laser products. Note the following information:

- Do not remove the covers. Removing the covers of the laser product could result in exposure to hazardous laser radiation. There are no serviceable parts inside the device.
- Use of the controls or adjustments or performance of procedures other than those specified herein might result in hazardous radiation exposure.

(C026)

**CAUTION:**

Data processing environments can contain equipment transmitting on system links with laser modules that operate at greater than Class 1 power levels. For this reason, never look into the end of an optical fiber cable or open receptacle. (C027)

**CAUTION:**

This product contains a Class 1M laser. Do not view directly with optical instruments. (C028)

**CAUTION:**

Some laser products contain an embedded Class 3A or Class 3B laser diode. Note the following information: laser radiation when open. Do not stare into the beam, do not view directly with optical instruments, and avoid direct exposure to the beam. (C030)

**CAUTION:**

The battery contains lithium. To avoid possible explosion, do not burn or charge the battery.

*Do Not:*

- \_\_\_ Throw or immerse into water
- \_\_\_ Heat to more than 100°C (212°F)
- \_\_\_ Repair or disassemble

Exchange only with the IBM-approved part. Recycle or discard the battery as instructed by local regulations. In the United States, IBM has a process for the collection of this battery. For information, call 1-800-426-4333. Have the IBM part number for the battery unit available when you call. (C003)

## **Power and cabling information for NEBS (Network Equipment-Building System) GR-1089-CORE**

The following comments apply to the IBM servers that have been designated as conforming to NEBS (Network Equipment-Building System) GR-1089-CORE:

The equipment is suitable for installation in the following:

- Network telecommunications facilities
- Locations where the NEC (National Electrical Code) applies

The intrabuilding ports of this equipment are suitable for connection to intrabuilding or unexposed wiring or cabling only. The intrabuilding ports of this equipment *must not* be metallically connected to the interfaces that connect to the OSP (outside plant) or its wiring. These interfaces are designed for use as intrabuilding interfaces only (Type 2 or Type 4 ports as described in GR-1089-CORE) and require isolation from the exposed OSP cabling. The addition of primary protectors is not sufficient protection to connect these interfaces metallically to OSP wiring.

**Note:** All Ethernet cables must be shielded and grounded at both ends.

The ac-powered system does not require the use of an external surge protection device (SPD).

The dc-powered system employs an isolated DC return (DC-I) design. The DC battery return terminal *shall not* be connected to the chassis or frame ground.

---

# Installing the 7316-TF4 18.5-Inch Flat Panel Rack-Mounted monitor and keyboard

Learn how to install the 7316-TF4 18.5-Inch Flat Panel Rack-Mounted Monitor and Keyboard.

---

## Overview of 7316-TF4 18.5-Inch Flat Panel Rack-Mounted Monitor and Keyboard

This topic collection provides the overview of the 7316-TF4 18.5-Inch Flat Panel Rack-Mounted Monitor and Keyboard.

The IBM 7316-TF4 18.5-Inch Flat Panel Rack-Mounted Monitor and Keyboard, is a flat-panel display and keyboard tray in one unit. The console unit occupies 1U<sup>1</sup> of space in a rack. You can install an optional console switch behind the standard console in the rack to attach more than one server to the flat-panel display and keyboard. If firmware and documentation updates are available, you can download them from the IBM website. The console unit might have features that are not described in the documentation that comes with the console unit, and the documentation might be updated occasionally to include information about those features, or technical updates might be available to provide additional information that is not included in the console unit documentation. To check for updates, go to <http://www.ibm.com/>.

**Note:** The 1 EIA unit in racks are measured in vertical increments of 1.75 inches each. Each 1.75-inch increment is called an "EIA." In some countries, the same increment may be referred to as a "U."

## Console features

Learn about the 7316-TF4 18.5-Inch Flat Panel Rack-Mounted Monitor and Keyboard console features.

The standard console has the following features:

- Mounts on slide-rails in the rack to enable easy movement and storage of the monitor
- Toolless rack installation in the 1U space of IBM rack configurations
- 18.5-inch, 16:9 ratio LCD panel with a VGA connection to the server or KVM switch
- Support for widescreen and previous (through scaling) resolutions
- Compatible with worldwide power and regulatory requirements
- Cable-management arm comes preinstalled on the rear of the console
- Can be shipped installed in an IBM rack

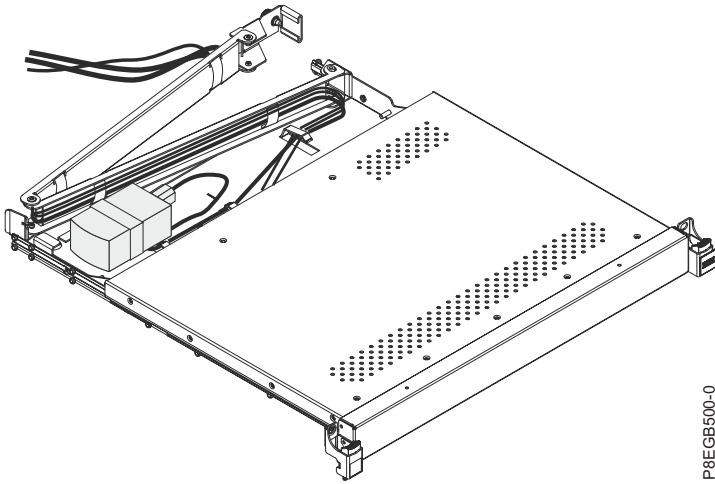
## Check Your Inventory

Find information about the parts shipped along with the 7316-TF4 18.5-Inch Flat Panel Rack-Mounted Monitor and Keyboard console.

**Note:** The illustrations in this topic might differ slightly from your hardware.

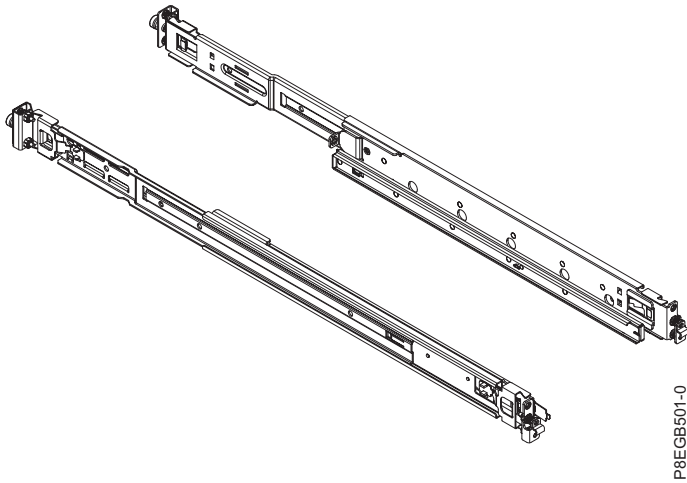
The console kit contains the following items:

- One console unit with built-in flat-panel display and cable-management arm (A 1 m power cord is routed along the cable-management arm and is secured with cable straps.)

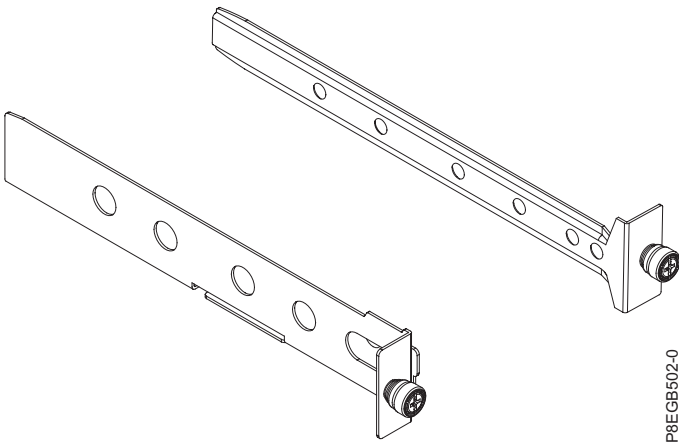


**Important:** The ac adapter that is connected to the flat-panel display is not intended for use with other products. Do not disassemble the flat-panel display or remove the ac adapter.

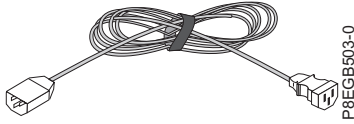
- Two outer rails



- Two console-switch mounting brackets, one with a channel (for routing the power, video, and keyboard-and-mouse cables) and six screws.



- One 2.8-m (9-ft) IEC connector power cable



- Bag with M5 clip nuts, M5 stability screws, and M5 shipping screws
- IBM Documentation CD

You need the following tools to replace customer replaceable units (CRU):

- One #1 Phillips screwdriver (to install or remove the inner slide-rails)
- One #2 Phillips screwdriver (to unscrew the shipping screws from the rack if you move the rack to another location; to replace the cable-management arm)

See the documentation that comes with your rack or console switch for more information about those products.

## The IBM Documentation CD

Learn about the IBM Documentation CD shipped along with the 7316-TF4 18.5-Inch Flat Panel Rack-Mounted Monitor and Keyboard console.

The IBM Documentation CD contains documentation for the console unit in Portable Document Format (PDF) and includes the IBM Documentation Browser to help you find information quickly.

### Hardware and software requirements

Learn about the hardware and software requirements to run the IBM Documentation CD.

The IBM Documentation CD requires the following minimum hardware and software:

- Microsoft Windows XP, Windows 2000, or Red Hat Linux
- 100 MHz microprocessor
- 32 MB of RAM
- Adobe Acrobat Reader 3.0 (or later) or xpdf, which comes with Linux operating systems

### Using the documentation browser

Learn about how to use the documentation browser.

Use the Documentation Browser to browse the contents of the CD, read brief descriptions of the documents, and view documents, using Adobe Acrobat Reader or xpdf. The Documentation Browser automatically detects the regional settings in use in your server and displays the documents in the language for that region (if available). If a document is not available in the language for that region, the English-language version is displayed.

Use one of the following procedures to start the Documentation Browser:

- If Autostart is enabled, insert the CD into the CD or DVD drive. The Documentation Browser starts automatically.
- If Autostart is disabled or is not enabled for all users, use one of the following procedures:
  - If you are using a Windows operating system, insert the CD into the CD or DVD drive and click **Start --> Run**. In the Open field, type **e:\win32.bat**, where *e* is the drive letter of the CD or DVD drive, and click **OK**.
  - If you are using Red Hat Linux, insert the CD into the CD or DVD drive; then, run the following command from the /mnt/cdrom directory: **sh runlinux.sh**

Select the console unit from the **Product** menu. The **Available Topics** list displays all the documents for the console unit. Some documents might be in folders. A plus sign (+) indicates each folder or document that has additional documents under it. Click the plus sign to display the additional documents.

When you select a document, a description of the document is displayed under **Topic Description**. To select more than one document, press and hold the Ctrl key while you select the documents. Click **View Book** to view the selected document or documents in Acrobat Reader or xpdf. If you selected more than one document, all the selected documents are opened in Acrobat Reader or xpdf.

To search all the documents, type a word or word string in the **Search** field and click **Search**. The documents in which the word or word string appears are listed in order of the most occurrences. Click a document to view it, and press Ctrl+F to use the Acrobat search function, or press Alt+F to use the xpdf search function within the document. Click **Help** for detailed information about using the Documentation Browser.

## Console unit specifications

This topic collection provides the information about the specifications of the console unit.

The following sections provide the console unit specifications.

### Rail-to-rail depth measurements

This topic provides the information about the rail-to-rail depth measurement to install the 7316-TF4 18.5-Inch Flat Panel Rack-Mounted Monitor and Keyboard.

The console unit fits in a rack with the front to rear rail dimensions as shown in the following table. The console unit dimensions are measured outside-to-outside and are for IBM and non-IBM racks with unthreaded and threaded holes.

*Table 1. Console unit rack post distances*

Rack configuration	Rack post distances
No console switch	613 - 909 mm (24.1 - 35.8 in.)
Provision for a console switch	706 - 909 mm (27.9 - 35.8 in.)

### Dimensions and weight

This topic provides the information about the dimensions and weight of the console unit.

The following table describes the console unit dimensions and weight.

*Table 2. Console unit dimensions and weight*

Dimensions	Properties
Height	44 mm (1.75 in.) (display in stored position)
Width	434 mm (17 in.) (main chassis only, slide-rails not included, faceplate not included)
Depth	434 mm (17 in.) (chassis behind EIA mounting flange, bezel in front of EIA flange not included, cable-management arm not included)
Bezel depth	35 mm (1.4 in.) (including latches and IBM Logo)
Bezel width	482 mm (19 in.) (includes latches)
Maximum forward extension	650 mm (25.6 in.)
Weight	10.4 kg (23 lb)



---

## Installing the 7316-TF4 18.5-Inch Flat Panel Rack-Mounted Monitor and Keyboard

This topic collection provides the information to install the 7316-TF4 18.5-Inch Flat Panel Rack-Mounted Monitor and Keyboard console.

The console unit occupies 1U of mounting space in a rack. To install the console unit in the rack, complete the steps in the following sections. Removing the rack doors and side panels, and removing the rack devices that are above and below where you want to install the console unit, might make installation easier.

See the documentation that comes with your rack for additional information.

### **Guidelines for rack mounting the console unit:**

- Elevated operating ambient - If installed in a closed or multi-unit rack assembly, the operating ambient temperature of the rack environment might be greater than room ambient. Therefore, consideration should be given to installing the equipment in an environment compatible with the maximum ambient temperature (T<sub>ma</sub>) specified by the manufacturer.
- Reduced air flow - Installation of the equipment in a rack should be such that the amount of air flow required for safe operation of the equipment is not compromised.
- Mechanical loading - Mounting of the equipment in the rack should be such that a hazardous condition is not achieved due to uneven mechanical loading.
- Circuit overloading - Consideration should be given to the connection of the equipment to the supply circuit and the effect that overloading of the circuits might have on overcurrent protection and supply wiring. Appropriate consideration of equipment nameplate ratings should be used when addressing this concern.
- Reliable earthing - Reliable earthing of rack-mounted equipment should be maintained. Particular attention should be given to supply connections other than direct connections to the branch circuit (for example, use of power strips).

## DANGER

When working on or around the system, observe the following precautions:

Electrical voltage and current from power, telephone, and communication cables are hazardous. To avoid a shock hazard:

- Connect power to this unit only with the IBM provided power cord. Do not use the IBM provided power cord for any other product.
- Do not open or service any power supply assembly.
- Do not connect or disconnect any cables or perform installation, maintenance, or reconfiguration of this product during an electrical storm.
- The product might be equipped with multiple power cords. To remove all hazardous voltages, disconnect all power cords.
- Connect all power cords to a properly wired and grounded electrical outlet. Ensure that the outlet supplies proper voltage and phase rotation according to the system rating plate.
- Connect any equipment that will be attached to this product to properly wired outlets.
- When possible, use one hand only to connect or disconnect signal cables.
- Never turn on any equipment when there is evidence of fire, water, or structural damage.
- Disconnect the attached power cords, telecommunications systems, networks, and modems before you open the device covers, unless instructed otherwise in the installation and configuration procedures.
- Connect and disconnect cables as described in the following procedures when installing, moving, or opening covers on this product or attached devices.

To Disconnect:

1. Turn off everything (unless instructed otherwise).
2. Remove the power cords from the outlets.
3. Remove the signal cables from the connectors.
4. Remove all cables from the devices.

To Connect:

1. Turn off everything (unless instructed otherwise).
2. Attach all cables to the devices.
3. Attach the signal cables to the connectors.
4. Attach the power cords to the outlets.
5. Turn on the devices.

(D005)

## CAUTION:

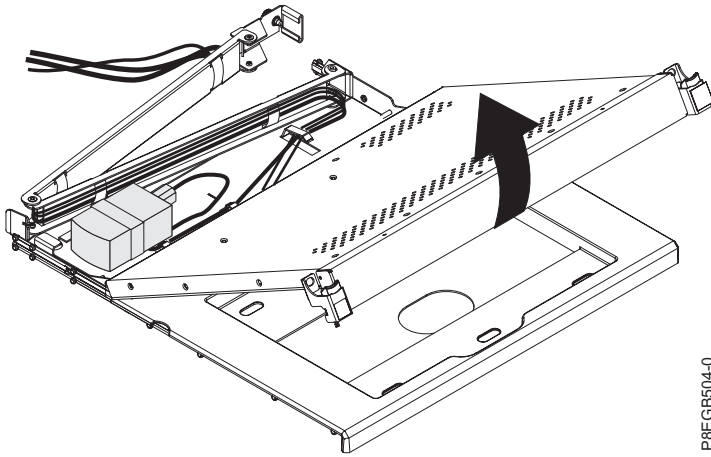
This product is equipped with a 3-wire (two conductors and ground) power cable and plug. Use this power cable with a properly grounded electrical outlet to avoid electrical shock. C018

## Installing the keyboard in the console unit

Learn how to install the keyboard in the console unit.

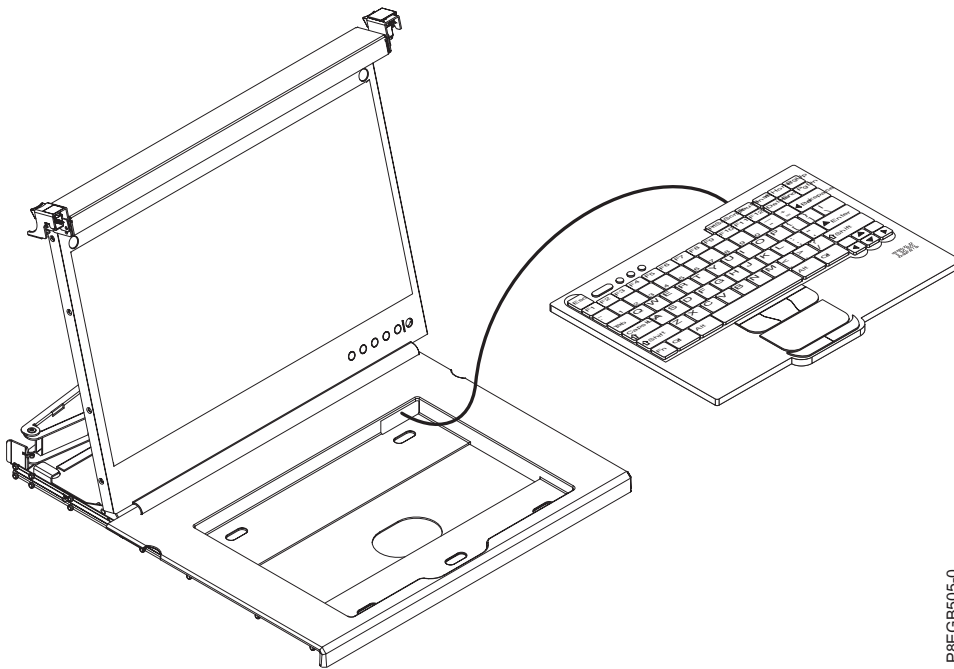
To install the keyboard in the console unit, complete the following steps:

1. Place the console unit on a table or other flat surface and make sure that the right side of the unit extends approximately 76 mm (3 in.) over the edge of the surface. This will help you route the keyboard-and-mouse cable more easily later in the procedure.
2. Carefully lift the front of the flat-panel display to the full upright position.



**Attention:** Do not extend the keyboard feet. The flat-panel display screen might be damaged if the feet are extended when the display is closed.

3. Hold the keyboard near the keyboard tray and carefully route the keyboard-and-mouse cable down through the keyboard tray cutout and up through the cutout that is behind the flat-panel display. (See the illustration.) Carefully pull the cable through the cutouts.



4. Peel the backing of the double-sided foam tape that is preinstalled on the front of the console tray.
5. Place the keyboard in the tray and exert a small amount of pressure on the keyboard to secure it to the double-sided tape.
6. Close the flat-panel display.

**Attention:**

- When you route the keyboard-and-mouse cable, make sure that the cable does not hang below the underside of the keyboard where it might be damaged if it interferes with the devices in the rack space below the console unit.
  - Make sure that you route all cables through the cable-routing features on the console frame behind the display and along the cable-management arm.
7. Route the cable along the cable-management arm, securing the cables with the hook-and-loop fastener strips.

## Installing the console unit in the rack

Learn how to install the console unit in the rack.

Review the documentation that comes with your rack for safety and cabling information. When you install your system in a rack, observe the following guidelines:

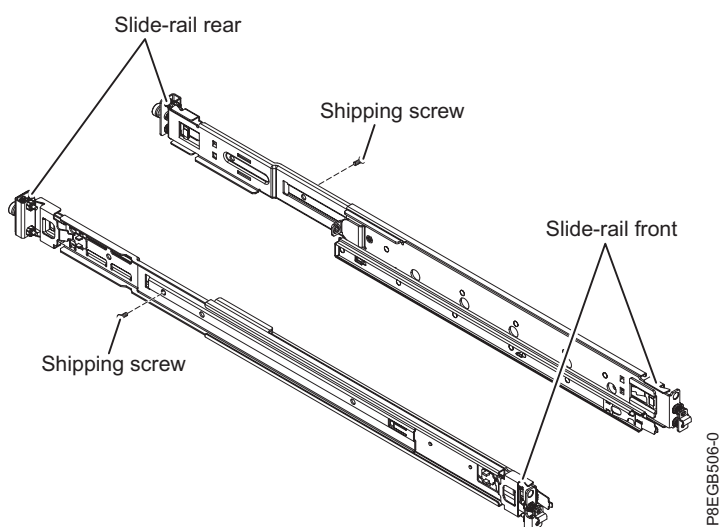
- Make sure that the room air temperature is below 35°C (95°F).
- Do not block any air vents; usually 15 cm (6 in.) of air space provides proper airflow.
- Plan the device installation starting from the bottom of the rack.
- Install the heaviest device in the bottom of the rack.
- Do not extend more than one device out of the rack at the same time.
- Connect all power cords to properly wired and grounded electrical outlets.
- Do not overload the power outlet when you install multiple devices in the rack.
- You can install the outer slide-rails in a square-hole rack, round-hole rack, or threaded-hole rack and no tools are required.

To install the console unit in the rack, complete the following steps:

1. Place the console unit on a stable, flat surface.

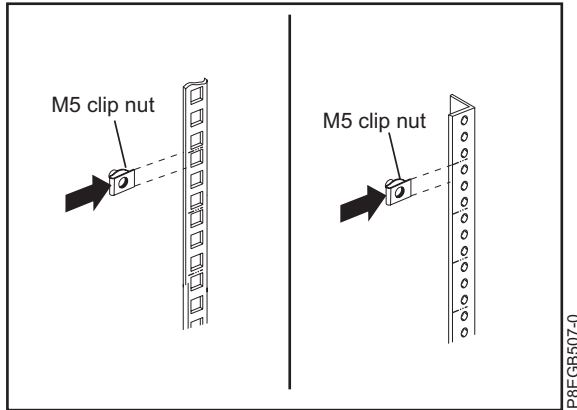
**Attention:** The video cable is connected to the flat-panel display. As you install the console unit in the rack, be careful that you do not pinch or cut the video cable.

2. Select a 1U location in the rack for the console unit.
3. Remove the shipping screw from each outer slide-rail.



4. **(For non-threaded hole racks)** Install an M5 clip nut in the front of the rack in the top hole of the 1 U-space position that you select. The clip nuts are in the bag of screws that come with the console

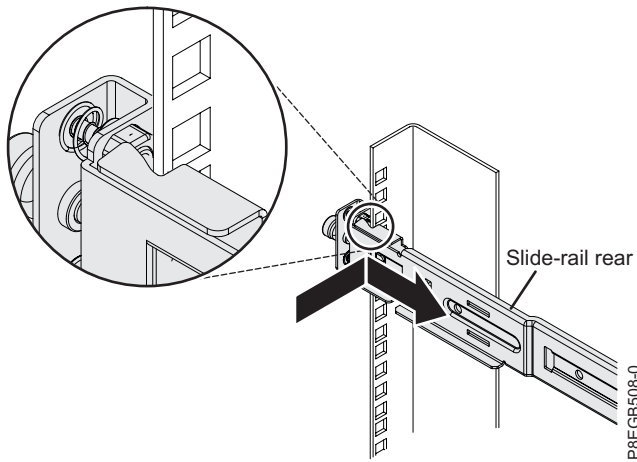
unit.



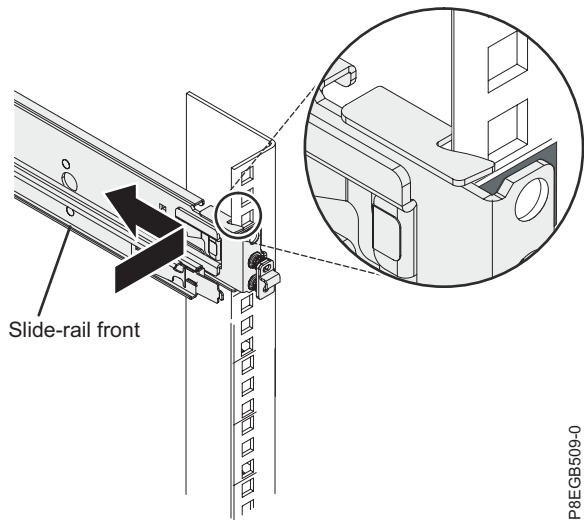
5. To attach the outer slide-rail to the rack, complete the following steps.

**Note:** Install the rear slide-rail bracket on the rear of the rack first; then, install the front slide-rail bracket on the front of the rack.

- a. Holding the slide-rail horizontally, align the rear slide-rail bracket so that the bracket is on the outside of the rack mounting flanges.
- b. Press the rear slide-rail bracket towards the rack flange and then pull it towards the front of the rack until the locking bracket clicks into place behind the rack flange.

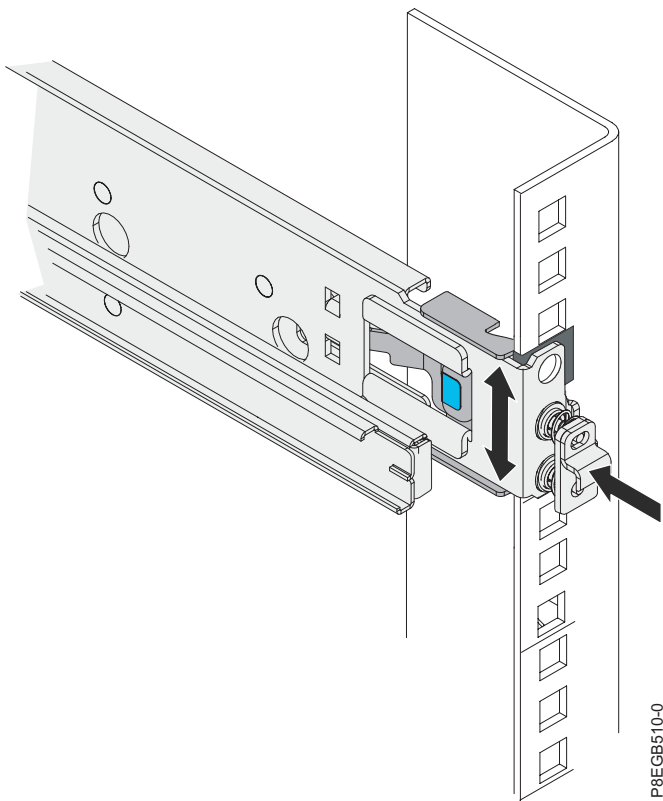


- c. Extend the slide-rail and press the front slide-rail bracket towards the rack flange and then push it towards the rear of the rack until the locking bracket clicks into place behind the rack flange.

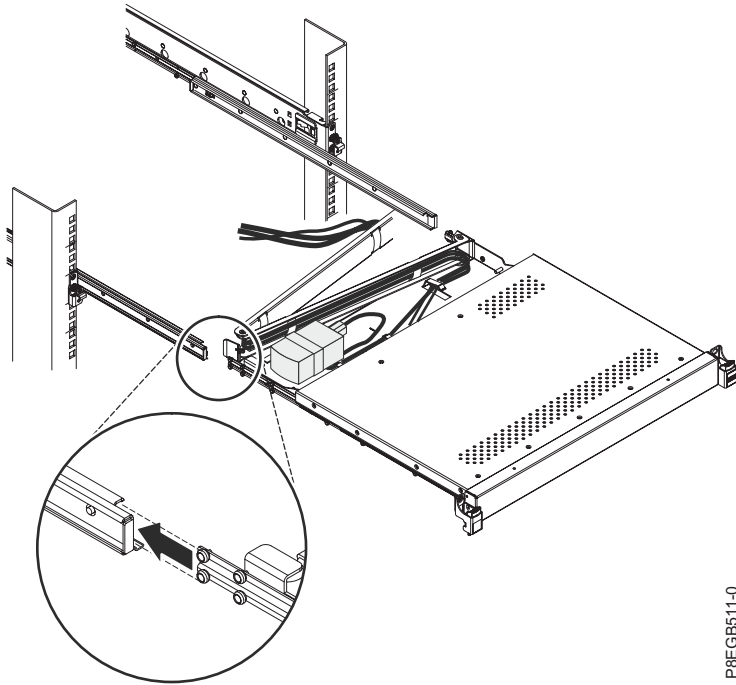


- d. Repeat steps 5a to 5c to attach the other outer slide-rail.

**Note:** Make sure that the two pins in the slide-rail brackets are pressed completely into the rack holes and that the bracket is flush with the rack flange. You might have to move the slide-rail up and down several times, and press on the end of the bracket to release the pins so that they are correctly in the holes in the rack flange.

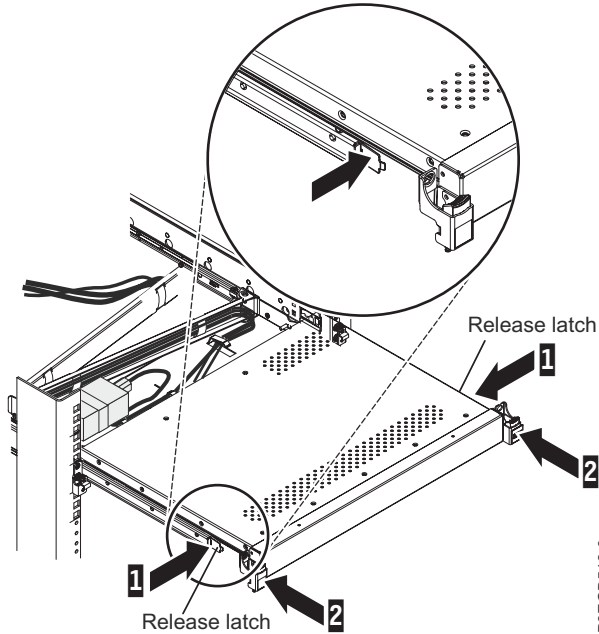


- 6. Extend the inner part of the outer slide-rails and slide them forward to the front of the outer rails. Carefully slide the rollers on the console unit into the notch in the slide-rails as shown in the illustration.



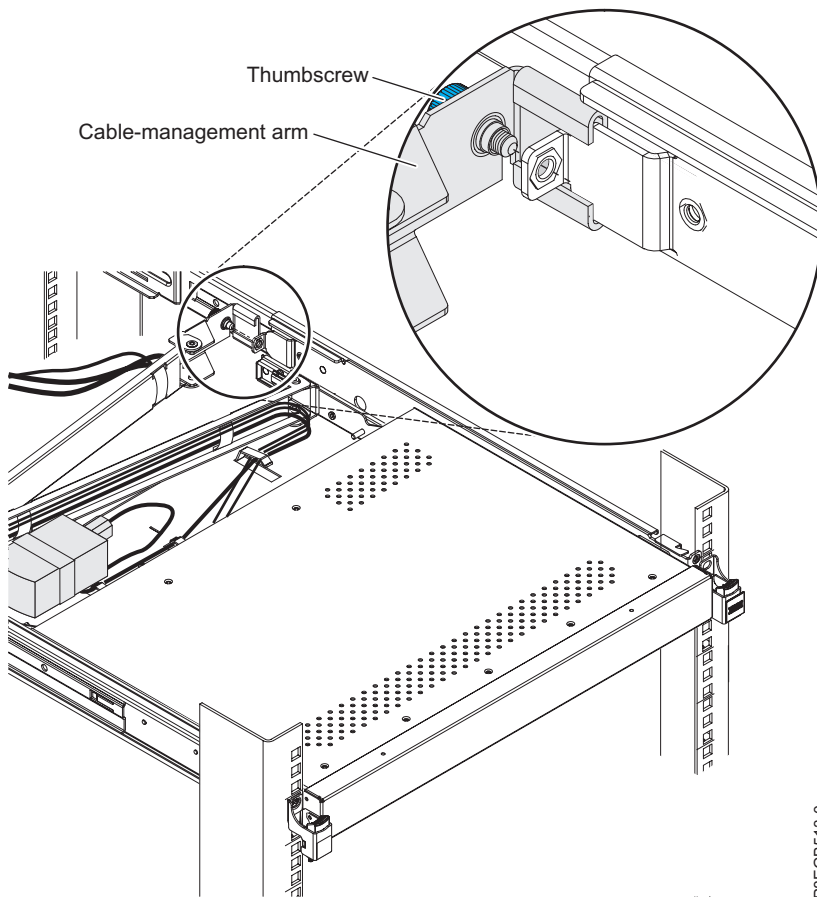
P8EGB511-0

- Press in both release latches 1; then, grasp both sides of the console unit and push it completely into the rack 2. There will be resistance initially as the inner and outer rails are aligned. Pull the console unit out halfway, and then push it back in to seat the console unit in the rails. Do this a few times until the console unit moves smoothly in the rails.



P8EGB512-0

- On the right rail, align the C-channel on the end of the cable-management arm with the bracket on the console unit. Slide the C-channel onto the bracket until the cable-management arm thumbscrew aligns with the hole in the bracket. Tighten the thumbscrew.



P8EGB513-0

9. Connect all cables to either a server or a console switch in the rack. Connect the power cord to the short jumper cord on the cable-management arm, and then connect the power cord to a properly grounded electrical outlet or power distribution unit (PDU). For information about installing a console switch behind the console unit in the rack, see *Installing the Optional Console Switch*.
10. Fully extend the console unit from the front of the rack, and then neatly route the cables within the rack and secure them with cable straps along the way.

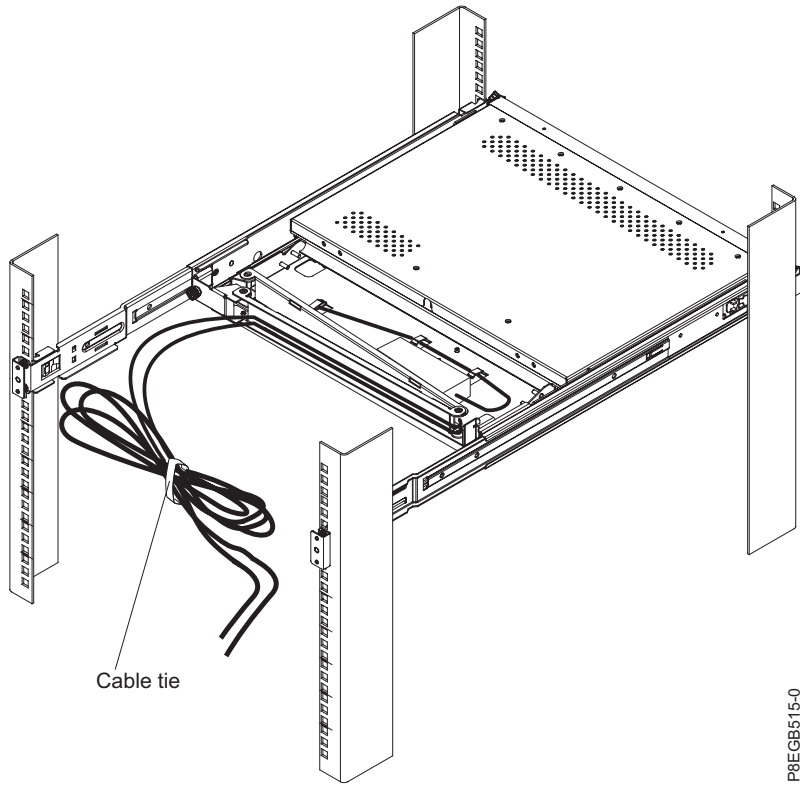
**Important:** If you have excess video cable, do not coil it as shown in the following illustration.



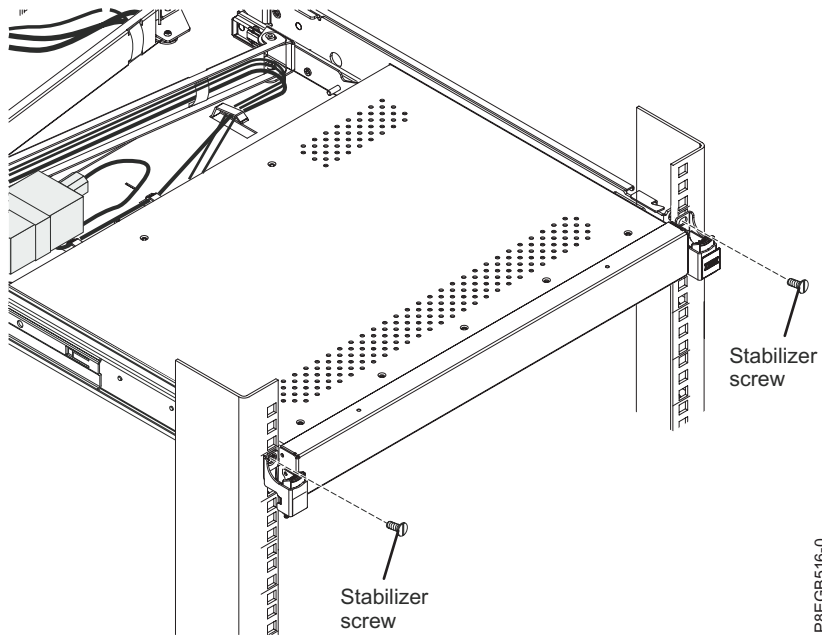
P8EGB514-0



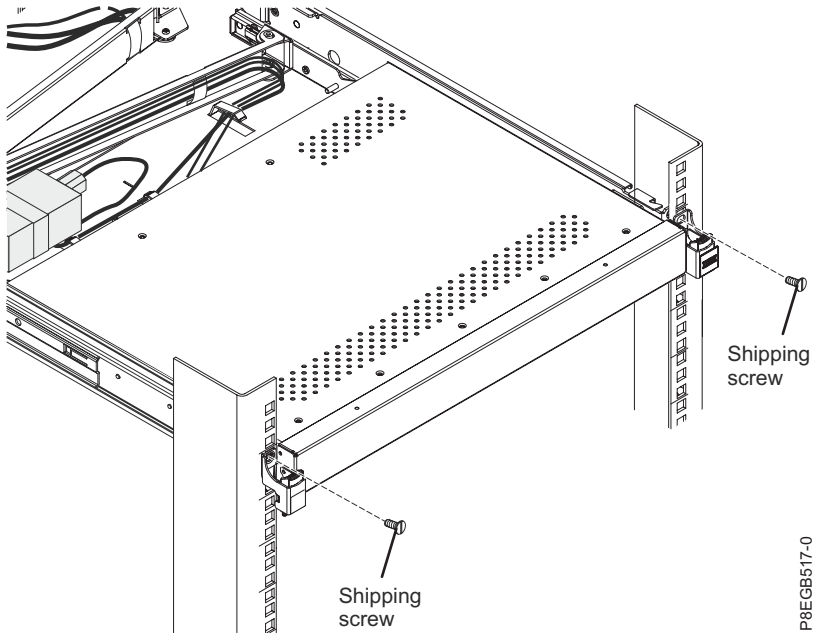
To minimize the electrical interference if you have excess video cable, arrange the cable in figure-eight loops, as shown in the following illustration. Secure the cable in the middle with a cable tie or strap.



(Optional for all racks) To secure the slide-rails to the rack after installation, install an M5 flat-head stabilizer screw in the top hole on the front of each slide-rail.



Before you move a rack with a console unit to another location, secure the front of the console unit to the rack with two M5 shipping screws that come in the bag of screws (see the illustration).



11. See “Using the TFT-LCD display” for information about operating the display. See the keyboard documentation for information about operating the keyboard.

## Installing the optional console switch

Learn how to install the optional console switch.

You can use a console switch to attach more than one server to a single display and keyboard. The optional console switch is available separately.

Depending on the depth of the console switch and the depth of the rack, you might be able to mount a console switch behind the console unit in the same 1U space. To mount the console switch behind the console unit, use the custom mounting brackets that come with the console unit.

**Important:** The console switch extends beyond the rear rack-cabinet mounting flanges when you install the switch behind the console unit.

### Note:

- In this procedure, left and right refer to orientations as you are facing the rear of the rack.
- The console switch mounting brackets are supplied in the miscellaneous hardware kit.
- The mounting brackets have several pre-drilled holes and can support most console switch designs.

To install a console switch behind the tray, complete the following steps:

1. Attach the left-side bracket to the left side of the console switch using two 8-32 screws. Then, attach the right-side bracket to the right side of the console switch.

**Note:** The left-side bracket has a channel for you to route the power, video, and keyboard-and-mouse cables. Make sure that you attach the brackets to the console switch so that the channel on the left-side bracket faces upward.

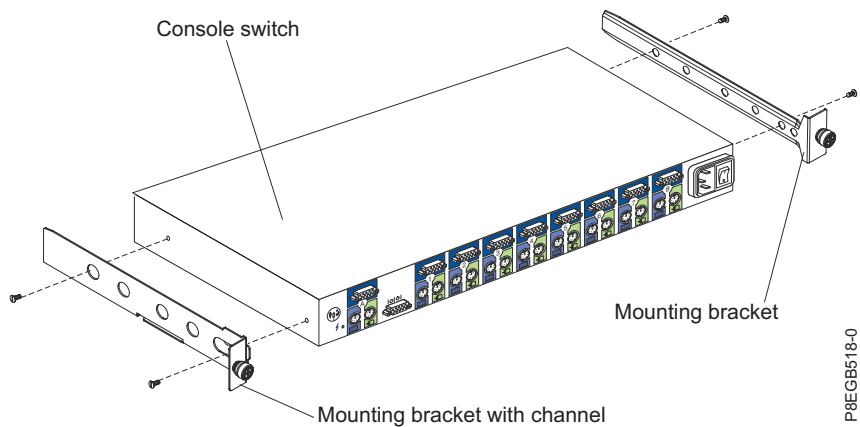
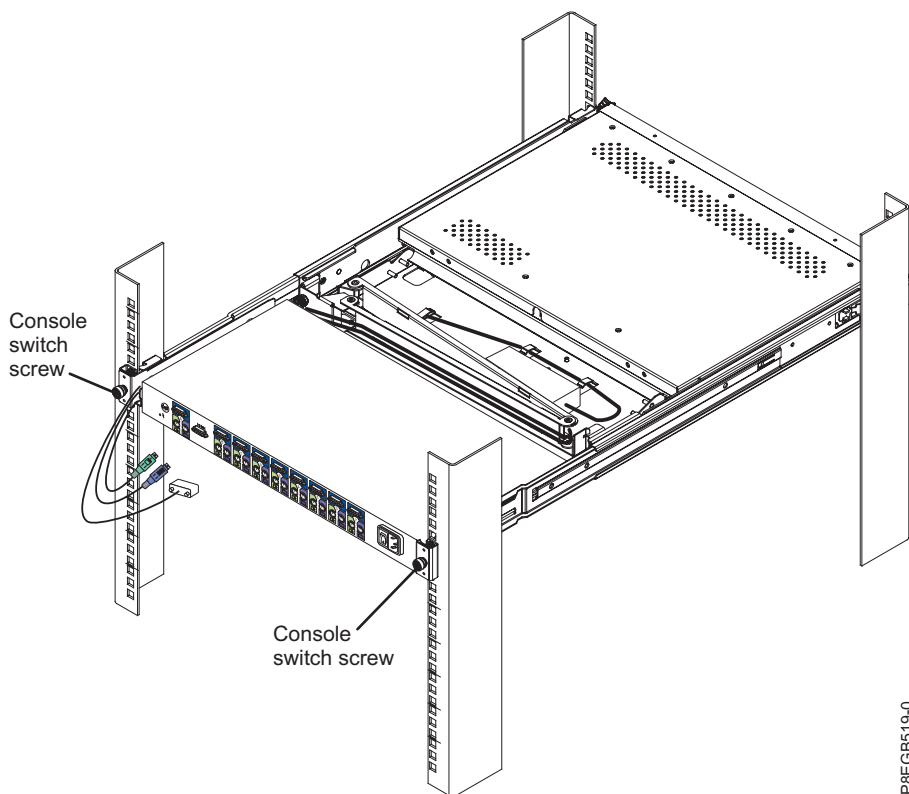


Figure 1. Installing the console switch

**Note:** The left-side bracket has a channel to route the power, video, keyboard, and mouse cables. Ensure that you attach the brackets to the console switch so that the channel on the left-side bracket faces upward.

2. Install the console switch behind the flat-panel monitor and keyboard tray using four (two on each side) of the Phillips screws supplied in your miscellaneous hardware kit.



3. Route the power, video, and keyboard-and-mouse cables through the channel in the left-side bracket on the console switch. Then, connect the video, keyboard, and mouse connectors to the console switch.
4. For information about connecting the flat-panel monitor, thin keyboard, and servers to the console switch, see the documentation provided with the console switch.

## Using the TFT-LCD display

This topic collection provides the information about using the TFT-LCD display.

This topic collection contains information about using the TFT-LCD display. For most applications, the factory default settings on the display do not require adjustment.

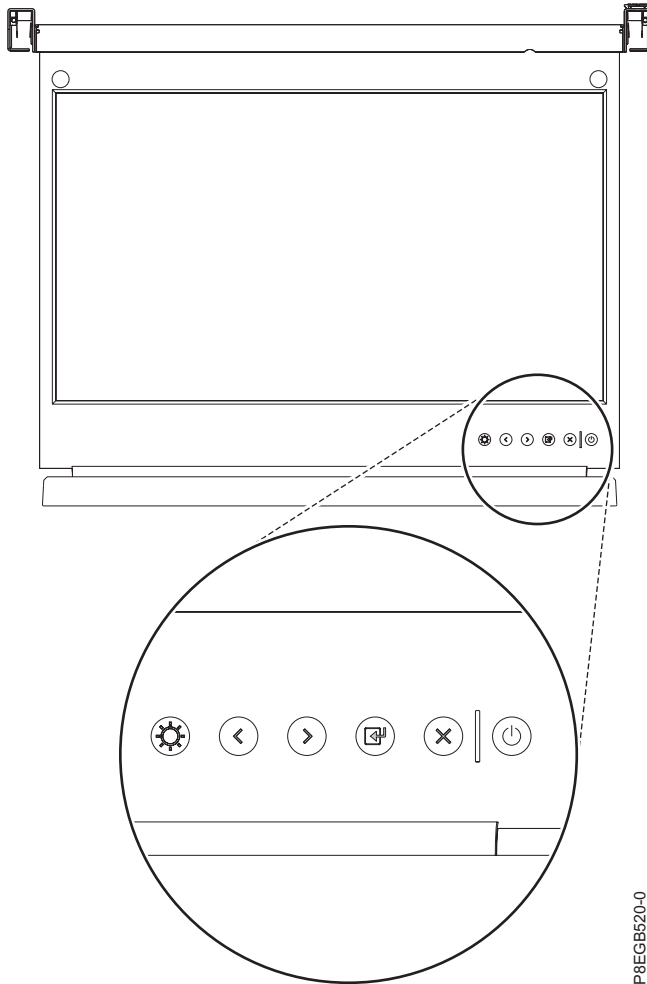
## Using the on-screen display (OSD) menu

Learn how to use the OSD menu to adjust the characteristics of the image that is being displayed.

## Using the control buttons

Learn how to use the control buttons on the TFT - LCD display.

The control buttons on the lower right of the LCD display are shown in the following illustration.



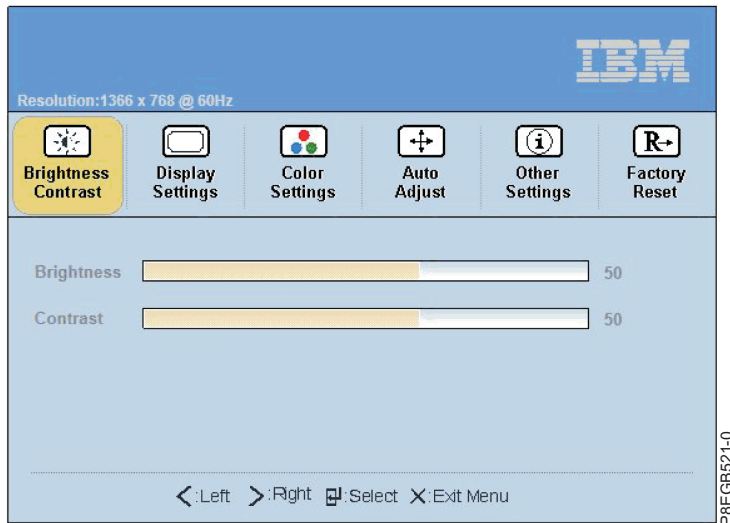
- **Brightness/Contrast:** Press this button to access the controls.
- **Left arrow and right arrow buttons:**
  - Press the right arrow button to select the function that is to be adjusted.
  - Press the left arrow or right arrow button to decrease or increase the value of the selected adjustment or to select the correct setting.
- **Exit button:** Press this button to exit the menu or return 1 level in the menu.
- **Select/Menu button:** Press this button to access, select, or confirm a menu option.
- **Power button:** Press this button to turn on and turn off the display power. This indicator shows the status of the display operation:
  - Green: Normal operation

- Flashing green: Standby power
- Black: Power is off

## Using the display menu

Learn how to use the display menu on the TFT - LCD display.

To activate the display menu, press the Select/Menu button. The Main menu is displayed.



The menu choices are described in the following list:

- **Brightness/Contrast**
  - **Brightness** - Brightness Slider Default 50, incremental adjustment by 0 from 1 - 100
  - **Contrast** - Contrast Slider Default 50, incremental adjustment by 0 from 1 - 100
- **Display Settings**
  - **Wide Mode**
    - 1:1 - Uses exact pixel count from video controller
    - Aspect - Uses pixel ratio but scales to largest available picture
    - Fill - Default. Scales incoming image to utilize full screen
  - **Horizontal Position** - Screen picture adjustment - Default at 50 Center of the Screen, incremental adjustment by 1 pixel from 0 - 100
  - **Vertical Position** - Screen picture adjustment - Default at 50 Center of the Screen, incremental adjustment by 1 pixel from 0 - 100
  - **Sharpness** - Visual reference to light and dark - Default 50, incremental adjustment by 10 from 0 - 100
  - **Pixel Clock** - Analog input control - Default Panel Dependent
  - **Phase** - Analog input control - Default Panel Dependent
  - **Display Info** - Display Resolution and Refresh Rate
  - **Reset Display settings** - Reset Display Settings to Factory Default - confirmation required
- **Color Settings**
  - **Standard**
  - **Warm**
  - **Cool**
  - **Custom Color** - If selected, the following RGB default values are displayed:
    - **Red** - Default 50, incremental adjustment by 1, from 0 - 100

- **Blue** - Default 50, incremental adjustment by 1, from 0 - 100
- **Green** - Default 50, incremental adjustment by 1, from 0 - 100
- **Reset Color Settings** - Resets color to factory default - confirmation required
- **Auto Adjust** - Auto adjustment - confirmation required
- **Other Settings**
  - **Language**
    - **English** - Converts OSD UI into local language chosen by user (default language)
    - **Spanish** - Converts OSD UI into local language chosen by user
    - **French** - Converts OSD UI into local language chosen by user
    - **German** - Converts OSD UI into local language chosen by user
    - **Japanese** - Converts OSD UI into local language chosen by user
    - **Korean** - Converts OSD UI into local language chosen by user
    - **Simple Chinese** - Converts OSD UI into local language chosen by user
  - **Menu Timer** Sliding scale by 5 second increments, from 5 to 100 - default is 20
  - **DDC/CI On/Off** - default is On
  - **LCD Conditioning On/Off** - default is Off
  - **Reset** Reset Other settings to Factory Default - confirmation required
- **Factory Reset** - Reset all settings to default

## Maintaining the TFT-LCD display

Learn how to maintain the TFT-LCD display.

### Statement 8:



**CAUTION:** Never remove the cover on a power supply or any part that has the following label attached.



Hazardous voltage, current, and energy levels are present inside any component that has this label attached. There are no serviceable parts inside these components. If you suspect a problem with one of these parts, contact a service technician.

Before you perform any maintenance on the display, turn off the power. Observe the following guidelines when you clean the display:

- Gently wipe the device covers and the screen with a soft cloth.
- Remove finger marks and grease with a damp cloth and mild detergent; do not use solvents or abrasives.
- Never use flammable cleaning material to clean an IBM display or any other electronic device.

## Technical specifications

This topic provides the detailed technical specifications of the TFT-LCD display unit.

The technical specifications for the console unit are described in the following list.

<b>Dimensions</b>	<b>Properties</b>
<b>LCD Panel</b>	
Size	18.5-inch diagonal
Display area (horizontal x vertical)	409.8 x 230.4 mm
Type	TFT active matrix
Pixel pitch (horizontal x vertical)	300 x 300 per triad
<b>Characteristics</b>	
Brightness	250 cd /m2 (Typ.)
Contrast ratio	1000:1 (Typ.)
Display color	16.7 M colors
Viewing Angle	Horizontal - 170° Vertical - 160°
Aspect Ratio	16:9 (Native)
Scaling	1:1, Aspect and Fill
<b>Display resolution</b>	
Optimum mode	1366 x 768 at 60 Hz
Maximum mode	1600 x 1200 at 60 Hz
<b>Note:</b> For the supported display resolutions, see, "Supported resolution timing charts,"	
Connector	VGA
<b>Power Supply</b>	
	ac 100 - 240 V, 47 - 63 Hz dc 12 V/ 3.3 A max
<b>Power Consumption</b>	
Standard usage	17 watts
Maximum	22 watts
Power supply maximum	40 Watts
Power Saving	Less than 1 Watts
<b>Environmental conditions</b>	
Operating temperature	0°C to 50°C
Operating humidity	10% to 80%
Operating altitude maximum	3000 meters
Storage temperature	-20°C to +60°C
Storage humidity	5% to 95%
Storage altitude maximum	3000 meters

## Supported resolution timing charts

This topic provides the detailed supported resolution timing charts for the TFT-LCD display unit.

The following tables are the supported resolution timing charts. Although additional resolutions might work, these are the supported signals.

Table 3. 640 x 480 timing chart

Type	Standard			
Timing name	640 x 480 @ 60 Hz		640 x 480 @ 75 Hz	
Horizontal frequency and polarity	31.469 kHz	Negative	37.5 kHz	Negative
Vertical frequency and polarity	59.94 Hz	Negative	75 Hz	Negative
Pixel clock	25.175 MHz		31.5 MHz	
Scan type	Noninterlaced		Noninterlaced	
<b>Horizontal</b>				
Period	31.778 $\mu$ s	800 pixels	26.667 $\mu$ s	840 pixels
Display	25.422 $\mu$ s	640 pixels	20.317 $\mu$ s	640 pixels
Blanking	6.356 $\mu$ s	160 pixels	6.349 $\mu$ s	200 pixels
Sync	3.813 $\mu$ s	96 pixels	2.032 $\mu$ s	64 pixels
Back porch	1.907 $\mu$ s	48 pixels	3.810 $\mu$ s	120 pixels
Front porch	0.636 $\mu$ s	16 pixels	0.508 $\mu$ s	16 pixels
<b>Vertical</b>				
Total	16.683 ms	525 lines	13.333 ms	500 lines
Display	15.253 ms	480 lines	12.800 ms	480 lines
Blanking	1.430 ms	45 lines	0.533 ms	20 lines
Sync	0.064 ms	2 lines	0.080 ms	3 lines
Back porch	1.049 ms	33 lines	0.427 ms	16 lines
Front porch	0.318 ms	10 lines	0.027 ms	1 line

Table 4. 800 x 600 timing chart

Type	Standard			
Timing name	800 x 600 @ 60 Hz		800 x 600 @ 75 Hz	
Horizontal frequency and polarity	37.879 kHz	Positive	46.875 kHz	Positive
Vertical frequency and polarity	60.317 Hz	Positive	75 Hz	Positive
Pixel clock	40 MHz		49.5 MHz	
Scan type	Noninterlaced		Noninterlaced	
<b>Horizontal</b>				
Period	26.400 $\mu$ s	1056 pixels	21.333 $\mu$ s	1056 pixels
Display	20.000 $\mu$ s	800 pixels	16.162 $\mu$ s	800 pixels
Blanking	6.400 $\mu$ s	256 pixels	5.172 $\mu$ s	256 pixels



Table 4. 800 x 600 timing chart (continued)

Type	Standard			
Sync	3.200 $\mu$ s	128 pixels	1.616 $\mu$ s	80 pixels
Back porch	2.200 $\mu$ s	88 pixels	3.232 $\mu$ s	160 pixels
Front porch	1.000 $\mu$ s	40 pixels	0.323 $\mu$ s	16 pixels
<b>Vertical</b>				
Total	16.579 ms	628 lines	13.333 ms	625 lines
Display	15.840 ms	600 lines	12.800 ms	600 lines
Blanking	0.739 ms	28 lines	0.533 ms	25 lines
Sync	0.106 ms	4 lines	0.064 ms	3 lines
Back porch	0.607 ms	23 lines	0.448 ms	21 lines
Front porch	0.026 ms	1 line	0.021 ms	1 line

Table 5. 1024 x 768 timing chart

Type	Standard			
Timing name	800 x 600 @ 60 Hz		800 x 600 @ 75 Hz	
Horizontal frequency and polarity	48.363 kHz	Negative	60.023 kHz	Negative
Vertical frequency and polarity	60.004 Hz	Negative	75.029 Hz	Negative
Pixel clock	65 MHz		78.75 MHz	
Scan type	Noninterlaced		Noninterlaced	
<b>Horizontal</b>				
Period	20.677 $\mu$ s	1344 pixels	16.660 $\mu$ s	1312 pixels
Display	15.754 $\mu$ s	1024 pixels	13.003 $\mu$ s	1024 pixels
Blanking	4.923 $\mu$ s	320 pixels	3.657 $\mu$ s	288 pixels
Sync	2.092 $\mu$ s	136 pixels	1.219 $\mu$ s	96 pixels
Back porch	2.462 $\mu$ s	160 pixels	2.235 $\mu$ s	176 pixels
Front porch	0.369 $\mu$ s	24 pixels	0.203 $\mu$ s	16 pixels
<b>Vertical</b>				
Total	16.666 ms	806 lines	13.328 ms	800 lines
Display	15.880 ms	768 lines	12.795 ms	768 lines
Blanking	0.786 ms	38 lines	0.533 ms	32 lines
Sync	0.124 ms	6 lines	0.050 ms	3 lines
Back porch	0.600 ms	29 lines	0.466 ms	28 lines
Front porch	0.062 ms	3 lines	0.017 ms	1 line

Table 6. 1152 x 864 timing chart

Type	Standard			
Timing name	1152 x 864 @ 60 Hz		1152 x 864 @ 75 Hz	
Horizontal frequency and polarity	54.348 kHz	Positive	67.5 kHz	Positive

Table 6. 1152 x 864 timing chart (continued)

Type	Standard			
Vertical frequency and polarity	60.053 Hz	Positive	75 Hz	Positive
Pixel clock	80 MHz		108 MHz	
Scan type	Noninterlaced		Noninterlaced	
<b>Horizontal</b>				
Period	18.400 $\mu$ s	1472 pixels	14.815 $\mu$ s	1600 pixels
Display	14.400 $\mu$ s	1152 pixels	10.667 $\mu$ s	1152 pixels
Blanking	4.000 $\mu$ s	320 pixels	4.148 $\mu$ s	448 pixels
Sync	1.200 $\mu$ s	96 pixels	1.185 $\mu$ s	128 pixels
Back porch	2.400 $\mu$ s	192 pixels	2.370 $\mu$ s	256 pixels
Front porch	0.400 $\mu$ s	32 pixels	0.593 $\mu$ s	64 pixels
<b>Vertical</b>				
Total	16.652 ms	905 lines	13.333 ms	900 lines
Display	15.898 ms	864 lines	12.800 ms	864 lines
Blanking	0.754 ms	41 lines	0.533 ms	36 lines
Sync	0.055 ms	3 lines	0.044 ms	3 lines
Back porch	0.681 ms	37 lines	0.474 ms	32 lines
Front porch	0.018 ms	1 line	0.015 ms	1 line

Table 7. 1366 x 768 timing chart

Type	Standard			
Timing name	1366 x 768 @ 60 Hz		1366 x 768 @ 75 Hz	
Horizontal frequency and polarity	47.712 kHz	Positive	60.15 kHz	Positive
Vertical frequency and polarity	60.053 Hz	Positive	75 Hz	Positive
Pixel clock	85.5 MHz		110.195 MHz	
Scan type	Noninterlaced		Noninterlaced	
<b>Horizontal</b>				
Period	20.959 $\mu$ s	1792 pixels	16.625 $\mu$ s	1832 pixels
Display	15.976 $\mu$ s	1366 pixels	12.396 $\mu$ s	1366 pixels
Blanking	4.983 $\mu$ s	426 pixels	4.231 $\mu$ s	466 pixels
Sync	1.310 $\mu$ s	112 pixels	1.307 $\mu$ s	144 pixels
Back porch	2.929 $\mu$ s	250 pixels	2.120 $\mu$ s	234 pixels
Front porch	0.749 $\mu$ s	64 pixels	0.799 $\mu$ s	88 pixels
<b>Vertical</b>				
Total	16.662 ms	795 lines	13.333 ms	802 lines
Display	16.097 ms	768 lines	12.768 ms	768 lines
Blanking	0.566 ms	27 lines	0.565 ms	34 lines
Sync	0.126 ms	6 lines	0.049 ms	3 lines
Back porch	0.377 ms	18 lines	0.498 ms	30 lines

Table 7. 1366 x 768 timing chart (continued)

Type	Standard			
Front porch	0.063 ms	3 lines	0.015 ms	1 line

Table 8. 1280 x 800 timing chart

Type	Standard			
Timing name	1280 x 800 @ 60 Hz		1280 x 800 @ 75 Hz	
Horizontal frequency and polarity	49.702 kHz	Negative	62.795 kHz	Negative
Vertical frequency and polarity	59.81 Hz	Positive	74.934 Hz	Positive
Pixel clock	83.5 MHz		106.5 MHz	
Scan type	Noninterlaced		Noninterlaced	
<b>Horizontal</b>				
Period	20.120 μs	1680 pixels	15.925 μs	1696 pixels
Display	15.329 μs	1280 pixels	12.019 μs	1280 pixels
Blanking	4.790 μs	400 pixels	3.906 μs	416 pixels
Sync	1.533 μs	128 pixels	1.202 μs	128 pixels
Back porch	2.395 μs	200 pixels	1.935 μs	206 pixels
Front porch	0.862 μs	72 pixels	0.751 μs	80 pixels
<b>Vertical</b>				
Total	16.720 ms	831 lines	13.345 ms	838 lines
Display	16.096 ms	800 lines	12.740 ms	800 lines
Blanking	0.624 ms	31 lines	0.605 ms	38 lines
Sync	0.121 ms	6 lines	0.096 ms	6 lines
Back porch	0.443 ms	22 lines	0.462 ms	29 lines
Front porch	0.060 ms	3 lines	0.048 ms	3 lines

Table 9. 1280 x 1024 timing chart

Type	Standard			
Timing name	1280 x 1024 @ 60 Hz		1280 x 1024 @ 75 Hz	
Horizontal frequency and polarity	63.981 kHz	Positive	79.976 kHz	Positive
Vertical frequency and polarity	60.02 Hz	Positive	75.025 Hz	Positive
Pixel clock	108 MHz		135 MHz	
Scan type	Noninterlaced		Noninterlaced	
<b>Horizontal</b>				
Period	15.630 μs	1688 pixels	12.504 μs	1688 pixels
Display	11.852 μs	1280 pixels	9.481 μs	1280 pixels
Blanking	3.778 μs	408 pixels	3.022 μs	408 pixels
Sync	1.037 μs	112 pixels	1.067 μs	144 pixels
Back porch	2.296 μs	248 pixels	1.837 μs	248 pixels

Table 9. 1280 x 1024 timing chart (continued)

Type	Standard			
Front porch	0.444 $\mu$ s	48 pixels	0.119 $\mu$ s	16 pixels
<b>Vertical</b>				
Total	16.661 ms	1066 lines	13.329 ms	1066 lines
Display	16.005 ms	1024 lines	12.804 ms	1024 lines
Blanking	0.656 ms	42 lines	0.525 ms	42 lines
Sync	0.047 ms	3 lines	0.038 ms	3 lines
Back porch	0.594 ms	38 lines	0.475 ms	38 lines
Front porch	0.016 ms	1 line	0.013 ms	1 line

Table 10. 1440 x 900 timing chart

Type	Standard			
Timing name	1440 x 900 @ 60 Hz		1440 x 900 @ 75 Hz	
Horizontal frequency and polarity	55.935 kHz	Negative	70.635 kHz	Negative
Vertical frequency and polarity	59.887 Hz	Positive	74.984 Hz	Positive
Pixel clock	106.5 MHz		136.75 MHz	
Scan type	Noninterlaced		Noninterlaced	
<b>Horizontal</b>				
Period	17.878 $\mu$ s	1904 pixels	14.157 $\mu$ s	1936 pixels
Display	13.521 $\mu$ s	1440 pixels	10.530 $\mu$ s	1440 pixels
Blanking	4.357 $\mu$ s	464 pixels	3.627 $\mu$ s	496 pixels
Sync	1.427 $\mu$ s	152 pixels	1.112 $\mu$ s	152 pixels
Back porch	2.178 $\mu$ s	232 pixels	1.814 $\mu$ s	248 pixels
Front porch	0.751 $\mu$ s	80 pixels	0.702 $\mu$ s	96 pixels
<b>Vertical</b>				
Total	16.698 ms	934 lines	13.336 ms	942 lines
Display	16.090 ms	900 lines	12.741 ms	900 lines
Blanking	0.608 ms	34 lines	0.595 ms	42 lines
Sync	0.107 ms	6 lines	0.085 ms	6 lines
Back porch	0.447 ms	25 lines	0.467 ms	33 lines
Front porch	0.054 ms	3 lines	0.042 ms	3 lines

Table 11. 1600 x 1200 timing chart

Type	Standard			
Timing name	1600 x 1200 @ 60 Hz		1600 x 1200 @ 75 Hz	
Horizontal frequency and polarity	75 kHz	Positive	65.29 kHz	Negative
Vertical frequency and polarity	60 Hz	Positive	59.954 Hz	Positive
Pixel clock	162 MHz		146.25 MHz	

Table 11. 1600 x 1200 timing chart (continued)

Type	Standard			
Scan type	Noninterlaced		Noninterlaced	
<b>Horizontal</b>				
Period	13.333 $\mu$ s	2160 pixels	15.316 $\mu$ s	2240 pixels
Display	9.877 $\mu$ s	1600 pixels	11.487 $\mu$ s	1680 pixels
Blanking	3.457 $\mu$ s	560 pixels	3.829 $\mu$ s	560 pixels
Sync	1.185 $\mu$ s	192 pixels	1.203 $\mu$ s	176 pixels
Back porch	1.877 $\mu$ s	304 pixels	1.915 $\mu$ s	280 pixels
Front porch	0.395 $\mu$ s	64 pixels	0.711 $\mu$ s	104 pixels
<b>Vertical</b>				
Total	16.667 ms	1250 lines	16.679 ms	1084 lines
Display	16.000 ms	1200 lines	16.082 ms	1050 lines
Blanking	0.667 ms	50 lines	0.597 ms	39 lines
Sync	0.040 ms	3 lines	0.092 ms	6 lines
Back porch	0.613 ms	46 lines	0.459 ms	30 lines
Front porch	0.013 ms	1 line	0.046 ms	3 lines

## Hardware maintenance information

This topic collection provides the information about the IBM Customer-replaceable units (CRUs) for the console unit and instructions for the replacement parts.

### Replaceable components

This topic provides the information about the replaceable components of the 7316-TF4 18.5-Inch Flat Panel Rack-Mounted Monitor and Keyboard console.

Field replaceable units (FRUs) must be replaced only by a trained service technician, unless they are classified as customer replaceable units (CRUs).

**Tier 1 CRU:** Replacement of Tier 1 CRUs is your responsibility. If IBM installs a Tier 1 CRU at your request without a service contract, you will be charged for the installation.

**Tier 2 CRU:** You may install a Tier 2 CRU yourself or request IBM to install it, at no additional charge, under the type of warranty service that is designated for your product.

For more information about the terms of the warranty and getting service and assistance, see the *Warranty Information* document that comes with the optional device.

IBM CRU part numbers are subject to change without notice. This section contains a listing of the CRU part numbers that are available as of the date of this document was written.

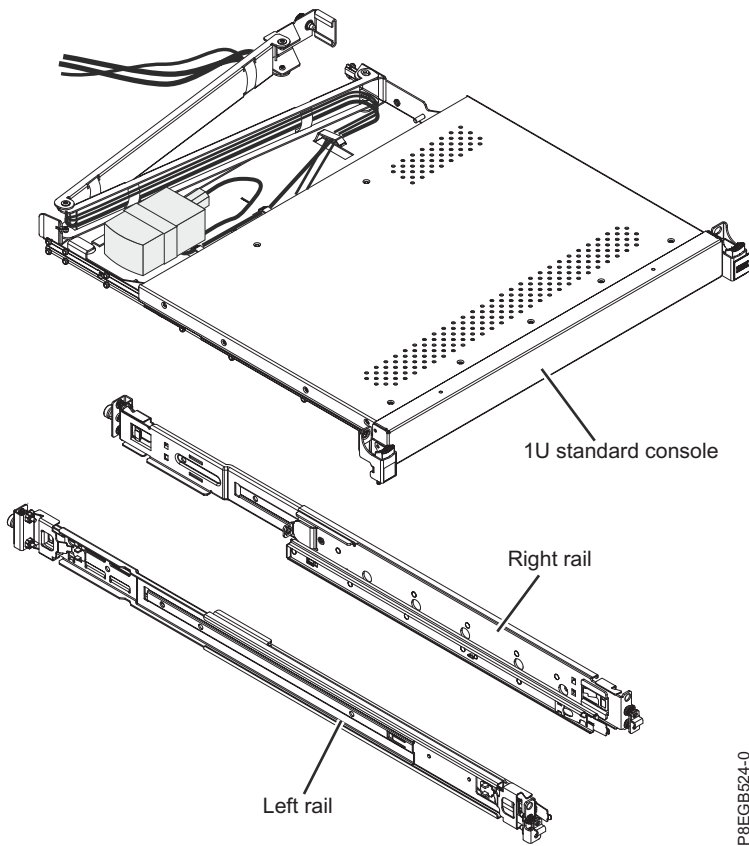


Table 12. Field replaceable units for the IBM 1U 18.5-inch Standard Console

Description	CRU part number (Tier 1)
IBM 1U 18.5-inch Standard Console, without keyboard	47C2521
Standard slide-rail kit (inner and outer rails)	44X3116
Cable-management arm	44X3114
Miscellaneous parts kit (includes shipping screws, console switch mounting brackets and mounting screws)	44X3120
Power cord that connects the power supply to a power distribution unit (PDU)	39M5377

You need the following tools to replace customer replaceable units:

- One #1 Phillips screwdriver (to install or remove the inner slide-rails)
- One #2 Phillips screwdriver (to replace the cable-management arm)

## Power cords

This topic provides the information about the power cords and the part number of the power cords for different countries across the world.

For your safety, IBM provides a power cord with a grounded attachment plug to use with this IBM product. To avoid electrical shock, always use the power cord and plug with a properly grounded outlet.

IBM power cords used in the United States and Canada are listed by Underwriter's Laboratories (UL) and certified by the Canadian Standards Association (CSA).

For units intended to be operated at 115 volts: Use a UL-listed and CSA-certified cord set consisting of a minimum 18 AWG, Type SVT or SJT, three-conductor cord, a maximum of 15 feet in length and a parallel blade, grounding-type attachment plug rated 15 amperes, 125 volts.

For units intended to be operated at 230 volts (U.S. use): Use a UL-listed and CSA-certified cord set consisting of a minimum 18 AWG, Type SVT or SJT, three-conductor cord, a maximum of 15 feet in length and a tandem blade, grounding-type attachment plug rated 15 amperes, 250 volts.

For units intended to be operated at 230 volts (outside the U.S.): Use a cord set with a grounding-type attachment plug. The cord set should have the appropriate safety approvals for the country in which the equipment will be installed.

IBM power cords for a specific country or region are usually available only in that country or region.

*Table 13.* . IBM power cord part numbers

<b>IBM power cord part number</b>	<b>Used in these countries and regions</b>
39M5206	China
39M5102	Australia, Fiji, Kiribati, Nauru, New Zealand, Papua New Guinea
39M5123	Afghanistan, Albania, Algeria, Andorra, Angola, Armenia, Austria, Azerbaijan, Belarus, Belgium, Benin, Bosnia and Herzegovina, Bulgaria, Burkina Faso, Burundi, Cambodia, Cameroon, Cape Verde, Central African Republic, Chad, Comoros, Congo (Democratic Republic of), Congo (Republic of), Cote D'Ivoire (Ivory Coast), Croatia (Republic of), Czech Republic, Dahomey, Djibouti, Egypt, Equatorial Guinea, Eritrea, Estonia, Ethiopia, Finland, France, French Guyana, French Polynesia, Germany, Greece, Guadeloupe, Guinea, Guinea Bissau, Hungary, Iceland, Indonesia, Iran, Kazakhstan, Kyrgyzstan, Laos (People's Democratic Republic of), Latvia, Lebanon, Lithuania, Luxembourg, Macedonia (former Yugoslav Republic of), Madagascar, Mali, Martinique, Mauritania, Mauritius, Mayotte, Moldova (Republic of), Monaco, Mongolia, Morocco, Mozambique, Netherlands, New Caledonia, Niger, Norway, Poland, Portugal, Reunion, Romania, Russian Federation, Rwanda, Sao Tome and Principe, Saudi Arabia, Senegal, Serbia, Slovakia, Slovenia (Republic of), Somalia, Spain, Suriname, Sweden, Syrian Arab Republic, Tajikistan, Tahiti, Togo, Tunisia, Turkey, Turkmenistan, Ukraine, Upper Volta, Uzbekistan, Vanuatu, Vietnam, Wallis and Futuna, Yugoslavia (Federal Republic of), Zaire
39M5130	Denmark
39M5144	Bangladesh, Lesotho, Macao, Maldives, Namibia, Nepal, Pakistan, Samoa, South Africa, Sri Lanka, Swaziland, Uganda

Table 13. (continued). IBM power cord part numbers

IBM power cord part number	Used in these countries and regions
39M5151	Abu Dhabi, Bahrain, Botswana, Brunei Darussalam, Channel Islands, China (Hong Kong S.A.R.), Cyprus, Dominica, Gambia, Ghana, Grenada, Iraq, Ireland, Jordan, Kenya, Kuwait, Liberia, Malawi, Malaysia, Malta, Myanmar (Burma), Nigeria, Oman, Polynesia, Qatar, Saint Kitts and Nevis, Saint Lucia, Saint Vincent and the Grenadines, Seychelles, Sierra Leone, Singapore, Sudan, Tanzania (United Republic of), Trinidad and Tobago, United Arab Emirates (Dubai), United Kingdom, Yemen, Zambia, Zimbabwe
39M5158	Liechtenstein, Switzerland
39M5165	Chile, Italy, Libyan Arab Jamahiriya
39M5172	Israel
39M5095	220 - 240 V Antigua and Barbuda, Aruba, Bahamas, Barbados, Belize, Bermuda, Bolivia, Brazil, Caicos Islands, Canada, Cayman Islands, Colombia, Costa Rica, Cuba, Dominican Republic, Ecuador, El Salvador, Guam, Guatemala, Haiti, Honduras, Jamaica, Japan, Mexico, Micronesia (Federal States of), Netherlands Antilles, Nicaragua, Panama, Peru, Philippines, Taiwan, United States of America, Venezuela
39M5081	110 - 120 V Antigua and Barbuda, Aruba, Bahamas, Barbados, Belize, Bermuda, Bolivia, Caicos Islands, Canada, Cayman Islands, Colombia, Costa Rica, Cuba, Dominican Republic, Ecuador, El Salvador, Guam, Guatemala, Haiti, Honduras, Jamaica, Mexico, Micronesia (Federal States of), Netherlands Antilles, Nicaragua, Panama, Peru, Philippines, Saudi Arabia, Thailand, Taiwan, United States of America, Venezuela
39M5219	Korea (Democratic People's Republic of), Korea (Republic of)
39M5199	Japan
39M5068	Argentina, Paraguay, Uruguay
39M5226	India
39M5233	Brazil

## Replacing the keyboard

Learn how to replace the keyboard from the console unit.

Before you replace the keyboard, remove any devices that are directly above the console unit so that you have access to disconnect the cables. See the documentation that comes with the device for removal instructions.

You can also remove the console unit from the rack for easier cable access. See the instructions in "Removing the console unit from the rack"; then, return to step 5 in this procedure.

To replace a keyboard in the console unit, complete the following steps:

1. Close the flat-panel display.
2. Disconnect the keyboard-and-mouse cable from the server or console switch.



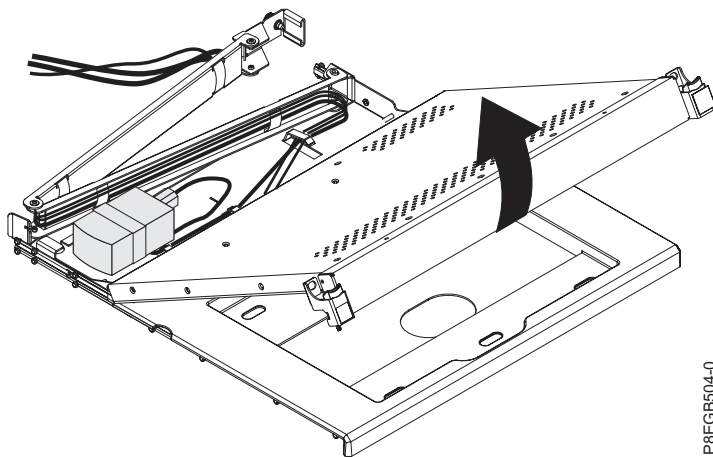
3. Carefully unfasten the hook-and-loop fastener strips from the cable-management arm and remove the keyboard-and-mouse cable.

L012



**CAUTION:** Pinch hazard. (L012)

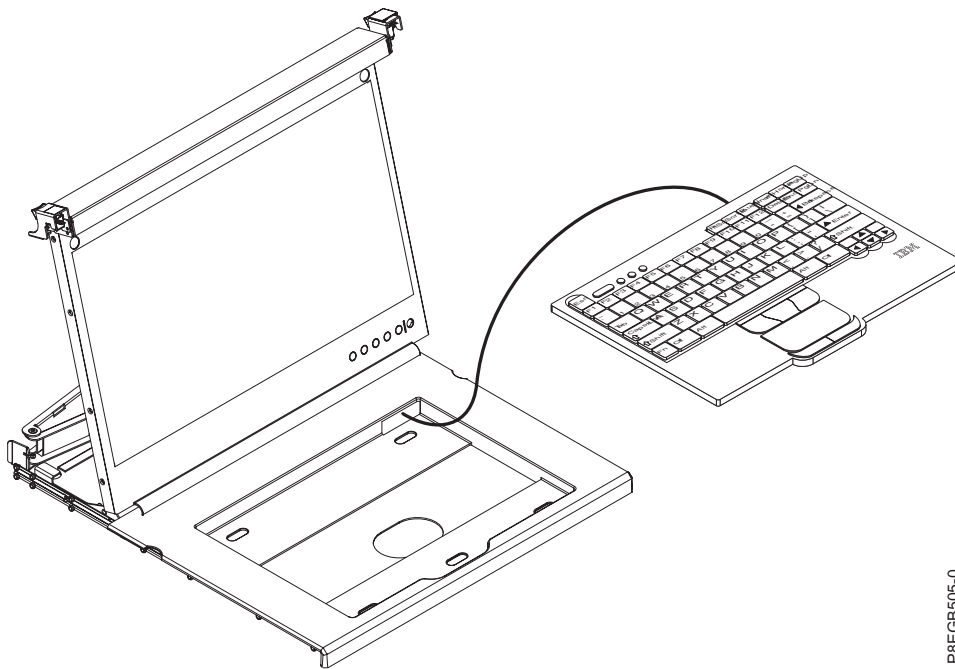
4. Fully extend the console unit out of the rack.
5. Lift the front of the flat-panel display and raise the display to the full upright position.



6. Remove the old keyboard from the console unit.
7. Unpack the replacement keyboard.

**Note:** Do not extend the keyboard feet. The flat-panel display screen might be damaged if the feet is extended when the display is closed.

8. Hold the new keyboard near the keyboard tray and carefully route the keyboard-and-mouse cable down through the keyboard tray cutout and up through the cutout that is behind the flat-panel display. (See the illustration.) Carefully pull the cable through the cutouts.



P8EGB505-0

9. Place the keyboard in the tray and exert a small amount of pressure on the keyboard to secure it to the double-sided tape on the front of the console tray.
10. Close the flat-panel display.
11. If you removed the console unit from the rack, go to “Installing the console unit in the rack” to complete the procedure.

**Note:** When you route the keyboard-and-mouse cable, make sure that the cable does not hang below the underside of the keyboard where it might be damaged if it interferes with the devices in the rack space below the console unit.

12. Route the keyboard-and-mouse cable along the cable-management arm, securing the cable with the hook-and-loop fastener strips.
13. Reconnect the keyboard-and-mouse cable.

## Replacing the cable-management arm

Learn how to replace the cable-management arm from the console unit.

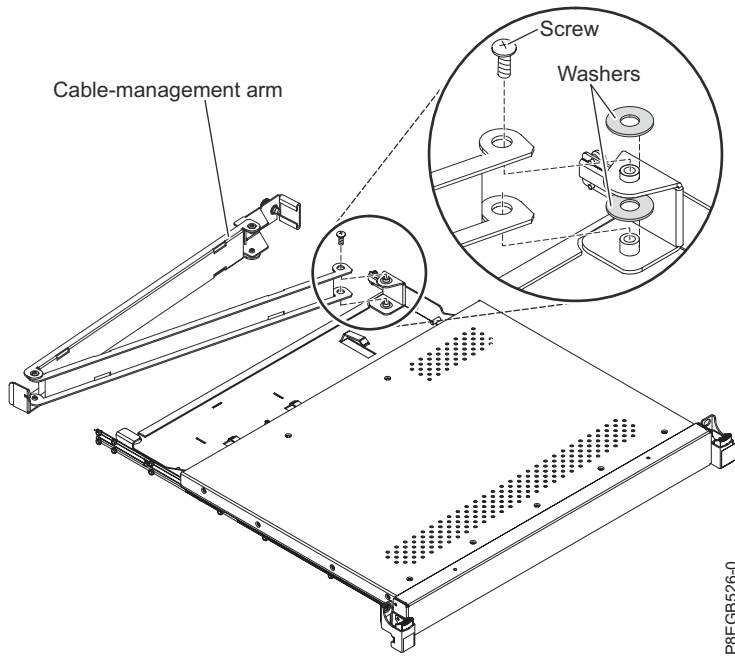
Before you replace the cable-management arm, remove any devices that are directly above and below the console unit so that you can disconnect the cables and detach the cable-management arm. See the documentation that comes with the device for removal instructions.

You can also remove the console unit from the rack for easier access. See the instructions in “Removing the console unit from the rack”; then, return to step 5 in this procedure.

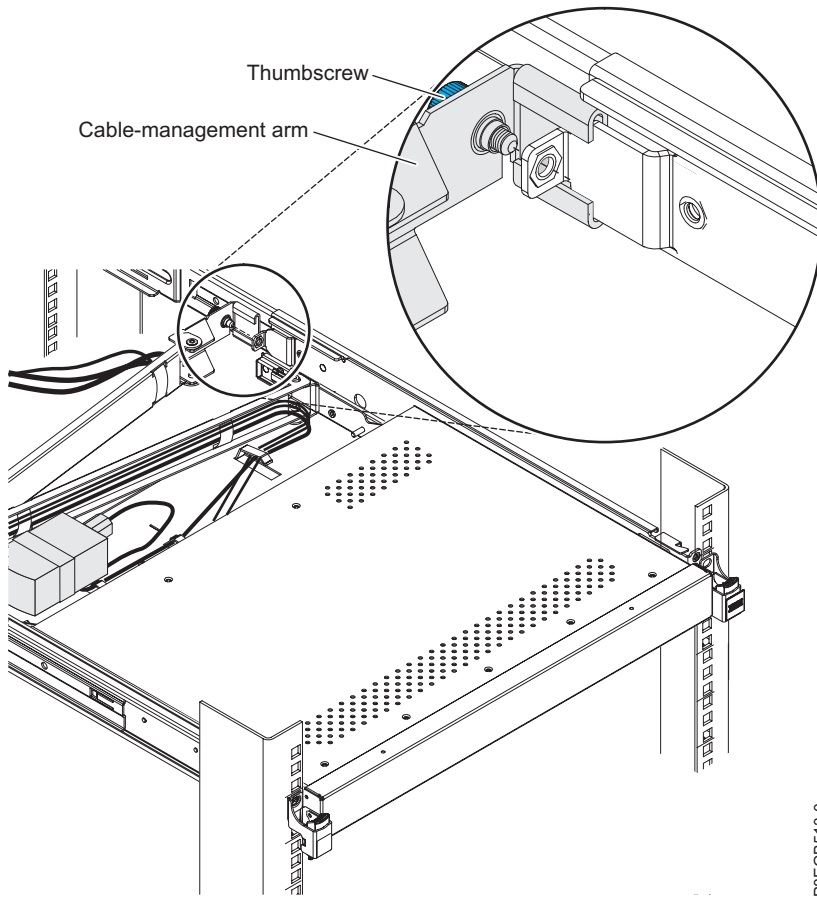
To replace the cable-management arm, complete the following steps:

1. If a console switch is installed behind the console unit, remove the console switch from the rack.
2. Turn off the display and disconnect the power cord from the short jumper cord on the cable-management arm from the electrical outlet or power distribution unit (PDU). Disconnect from the server or console switch any cables that are connected to the console unit (keyboard-and-mouse, video, and power cables).
3. Close the flat-panel display.
4. Temporarily remove all cables from the cable-management arm.

5. Remove the screw that attaches the front cable-management arm bracket to the console unit and then, remove the cable-management arm.



6. Unpack the replacement cable-management arm.
7. Remove the two washers on the cable-management arm bracket and replace them with the new washers that come with the replacement cable-management arm.
8. Align the screw holes in the new cable-management arm with the bracket and secure it with the screw that you removed in step 5.
9. If you removed the console unit from the rack, go to "Installing the console unit in the rack" to complete the procedure.
10. Route the cables that you removed in step 2 along the new cable-management arm and secure them along the way with the hook-and-loop fastener strips.
11. Align the C-channel on the end of the cable-management arm with the bracket on the console unit. Slide the C-channel onto the bracket until the cable-management arm thumbscrew aligns with the hole in the bracket. Tighten the thumbscrew.



P8EGB513-0

12. If you removed a console switch from behind the console unit, reinstall it now.
13. Reconnect to the server or console switch all cables that you removed in step 2.
14. Connect power to the display.

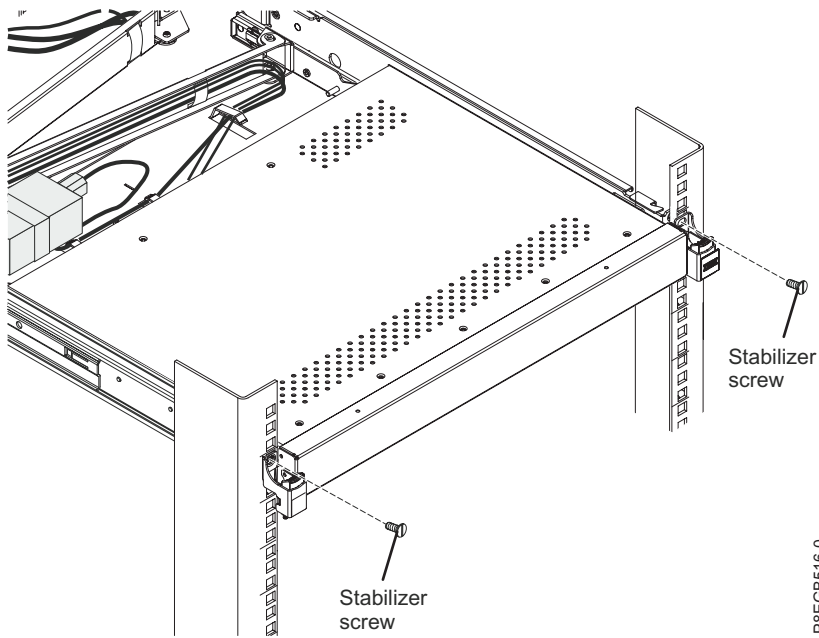
## Replacing the slide-rail assemblies

Learn how to replace the slide-rail assemblies.

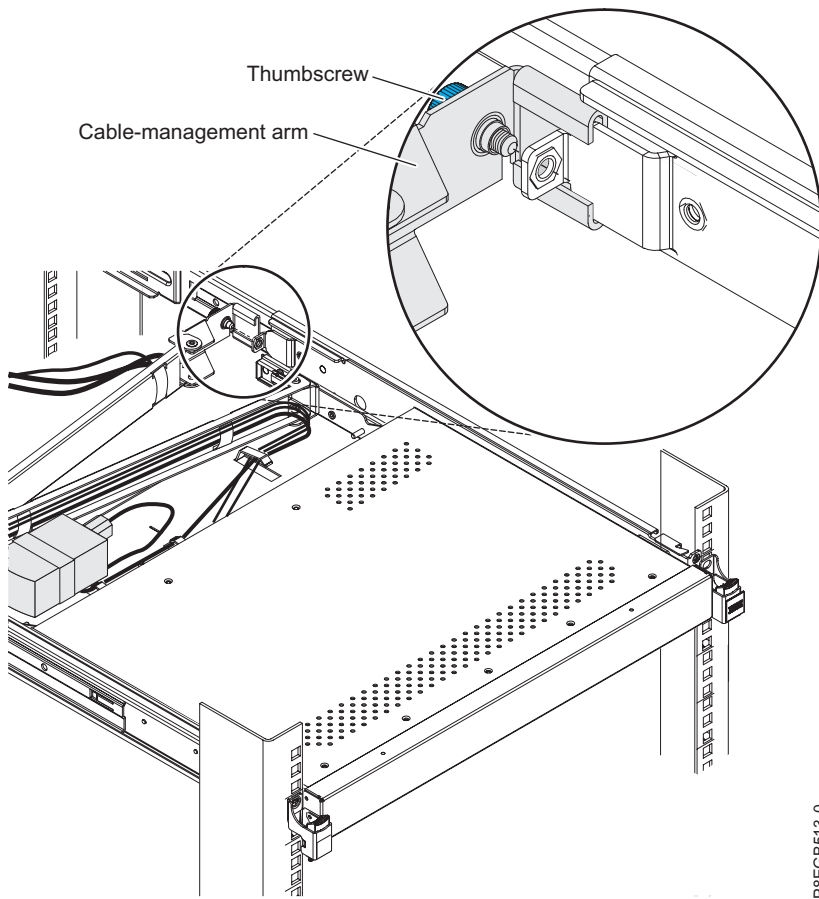
**Note:** To make sure that the slide-rail assemblies fit correctly, replace both the outer and inner slide-rails at the same time.

To replace the outer and inner slide-rails for the console unit, complete the following steps:

1. If a console switch is installed behind the console unit, remove the console switch from the rack.
2. Turn off the display and disconnect the power cord from the short jumper cord on the cable-management arm from the electrical outlet or power distribution unit (PDU). Disconnect from the server or console switch any cables that are connected to the console unit (keyboard-and-mouse, video, and power cables).
3. Close the flat-panel display.
4. If you installed the optional flat-head stabilizer screws in the top hole on the front of each slide-rail, remove them and set them aside.



5. Remove the console unit from the rack:
  - a. Remove the thumbscrew that attaches the cable-management arm to the outer slide-rail bracket. Slide the C-channel on the cable-management arm completely away from the bracket on the console unit.

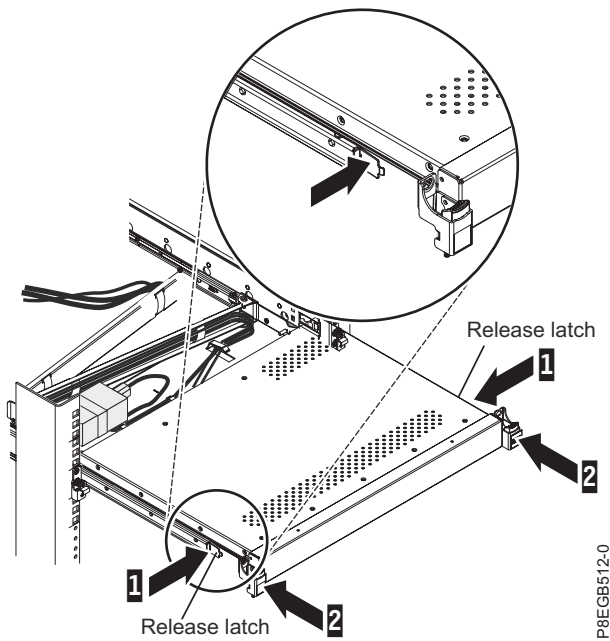


L012

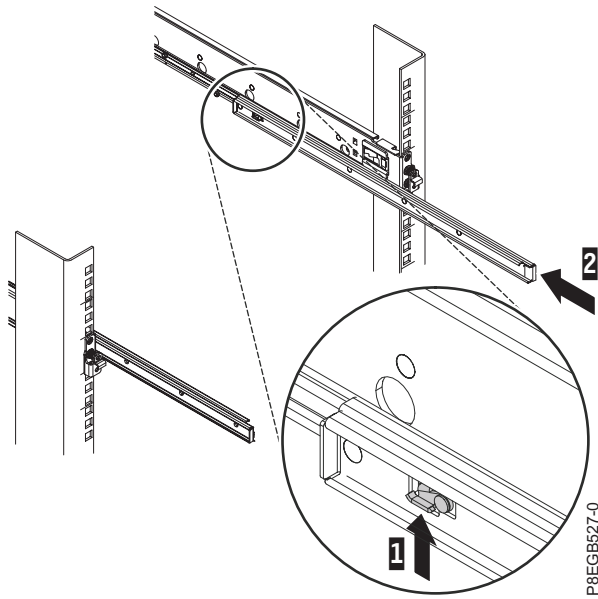


**CAUTION:** Pinch hazard. (L012)

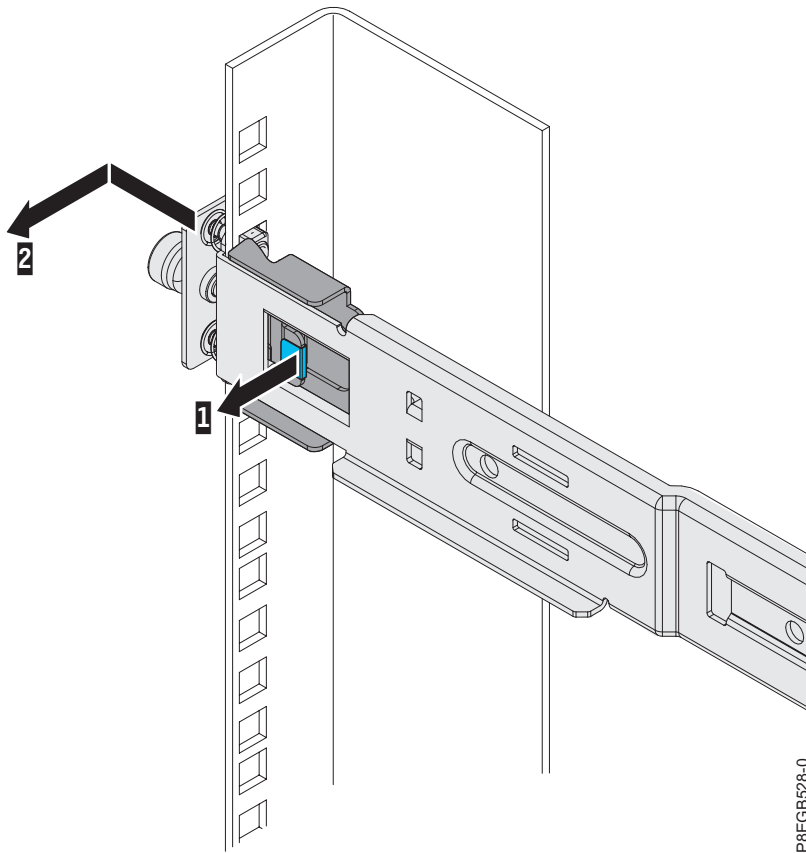
- b. Fully extend the console unit out of the rack.
- c. Press in both release latches 1.



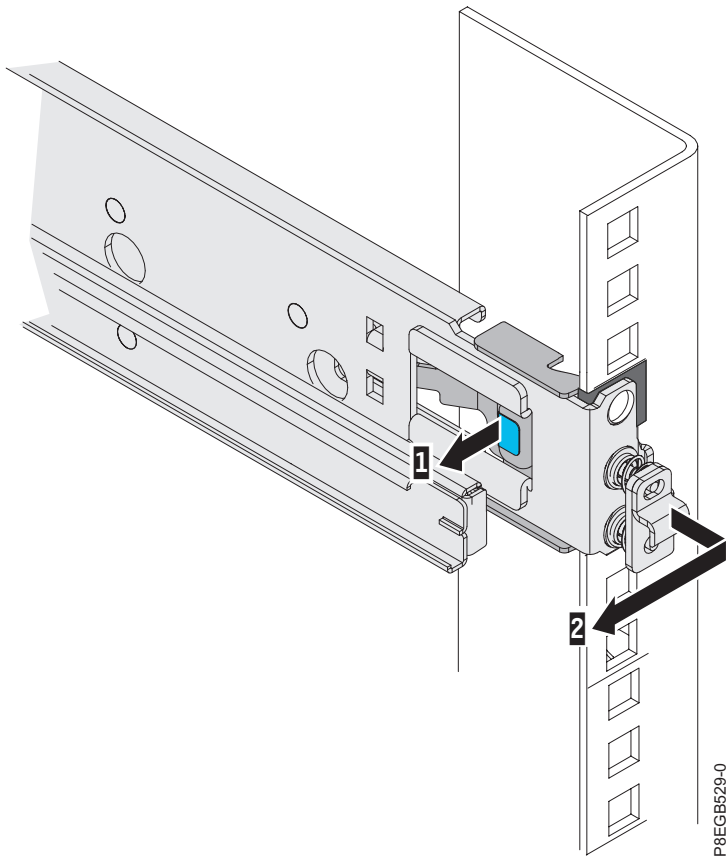
- d. Grasp both sides of the console unit and pull it completely out of the rack 2.
  - e. Place the console unit on a table or other flat surface.
6. To close the extended rails, press up on the release latch 1 and push the extended rail towards the rack so that it is fully closed 2.



- Remove the rear bracket of the outer slide-rail from the rack by pulling the blue tab out 1 while you move the end of the slide-rail away from the rack flange and toward the center of the rack 2.

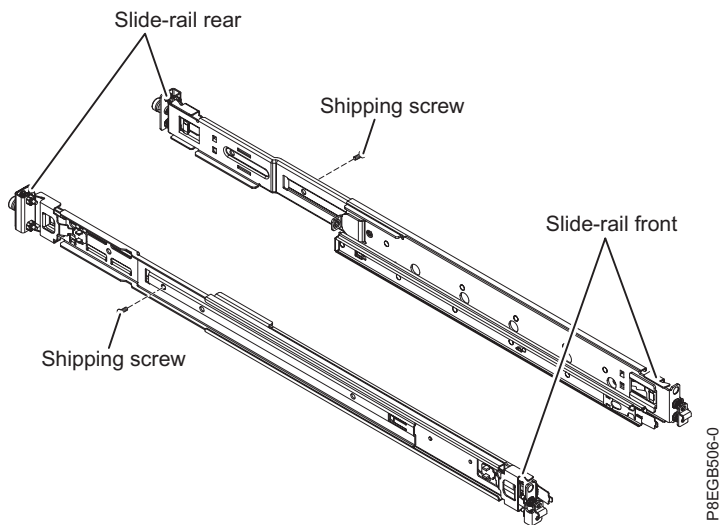


- Remove the front bracket of the outer slide-rail from the rack by pulling the blue tab out 1 while you pull the end of the slide-rail away from the rack flange and toward the center of the rack 2.



Repeat step 7 and step 8 for the other outer slide-rail.

9. Remove the shipping screw from each new outer slide-rail.



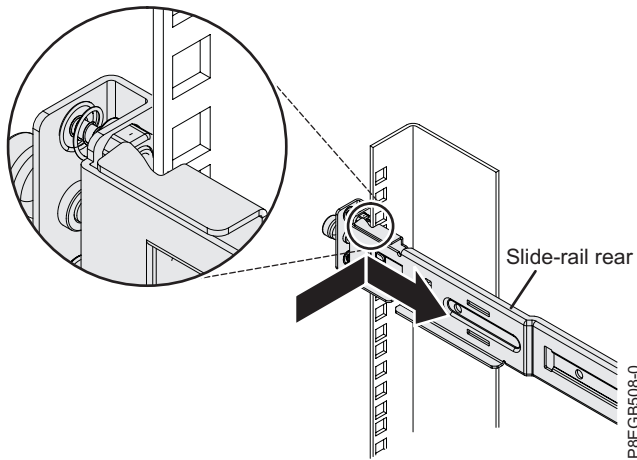
10. To attach the outer slide-rail to the rack, complete the following steps.

**Note:** Install the rear slide-rail bracket to the rear of the rack first; then, install the front slide-rail bracket to the front of the rack.

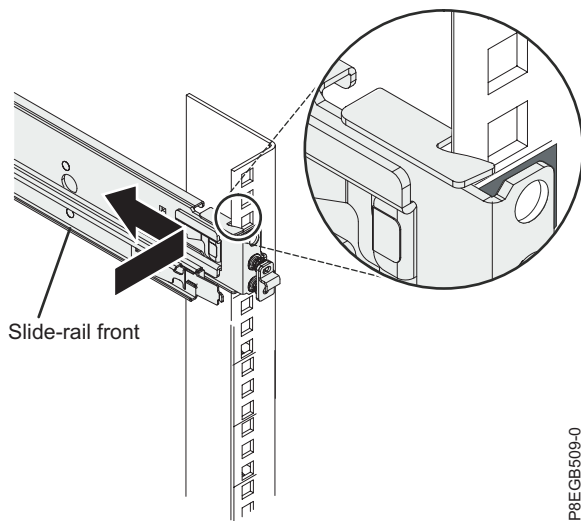
- a. Holding the slide-rail horizontally, align the rear slide-rail bracket so that the bracket is on the outside of the rack mounting flanges.



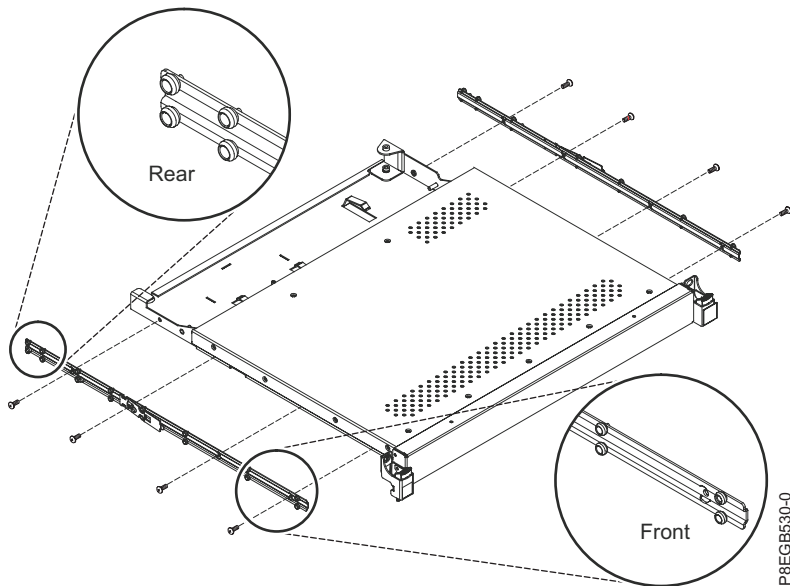
- b. Press the rear slide-rail bracket toward the rack flange and then pull it towards the front of the rack until the locking bracket clicks into place behind the rack flange.



- c. Extend the slide-rail and press the front slide-rail bracket toward the rack flange and then push it towards the rear of the rack until the locking bracket clicks into place behind the rack flange.



- d. Repeat steps 10a to 10c to attach the other outer slide-rail.
11. Use a #1 Phillips screwdriver to remove the four screws that attach each inner slide-rail to the console unit. Then, attach the corresponding new inner slide-rails to the unit, using the same hardware. Make sure that you orient the inner slide rails correctly (see the illustration).



- Go to “Installing the console unit in the rack” for instructions for reinstalling the console unit in the rack, and then install any other devices that you removed from the rack.

## Replacing the console unit

This topic collection provides the information on how to replace the console unit.

The procedures that are provided in this section to replace the console unit in the rack consist of the following tasks:

- Removing the existing console unit from the rack
- Moving the keyboard from the existing console unit to the replacement console unit
- Removing and replacing the outer slide-rails

**Note:** The replacement console unit comes with inner slide-rails attached. To make sure that the slide-rail assemblies fit correctly, replace the existing outer slide-rails with the new rails that come with the replacement console unit.

- Installing the replacement console unit in the rack.  
Removing the rack doors and side panels might make removal of the existing console unit and installation of the replacement easier. See the documentation that comes with the rack for additional information.

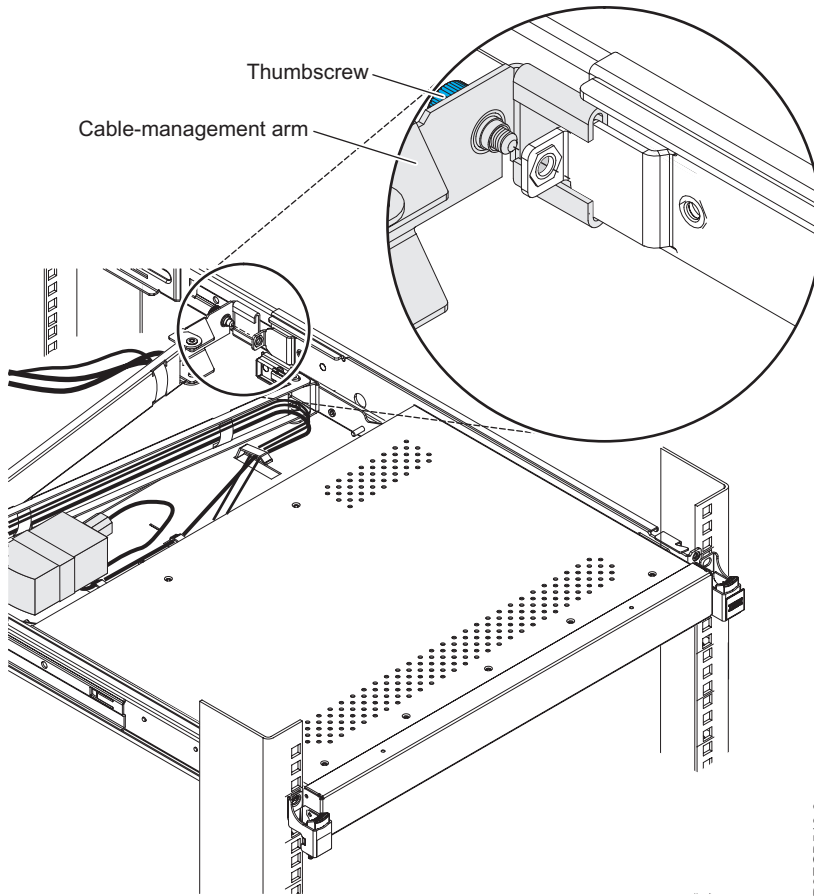
## Removing the console unit from the rack

Learn how to remove the console unit from the rack.

To remove the console unit from the rack, complete the following steps:

- If a console switch is installed behind the console unit, remove the console switch from the rack.
- Turn off the display and disconnect the power cord from the short jumper cord on the cable-management arm from the electrical outlet or power distribution unit (PDU). Disconnect from the server or console switch any cables that are connected to the console unit (keyboard-and-mouse, video, and power cables).
- Close the flat-panel display.
- Remove the console unit from the rack:
  - Remove the thumbscrew that attaches the cable-management arm to the outer slide-rail bracket. Slide the C-channel on the cable-management arm completely away from the bracket on the

console unit.



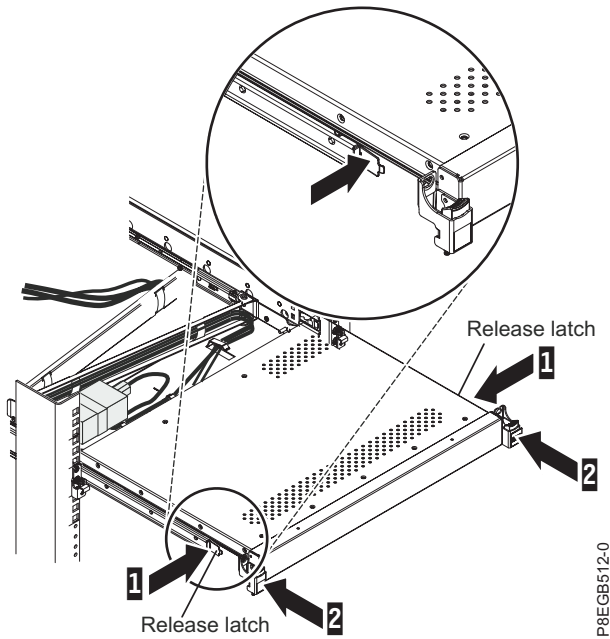
P8EGB513-0

L012



**CAUTION:** Pinch hazard. (L012)

- b. Fully extend the console unit out of the rack.
- c. Press in both release latches 1.



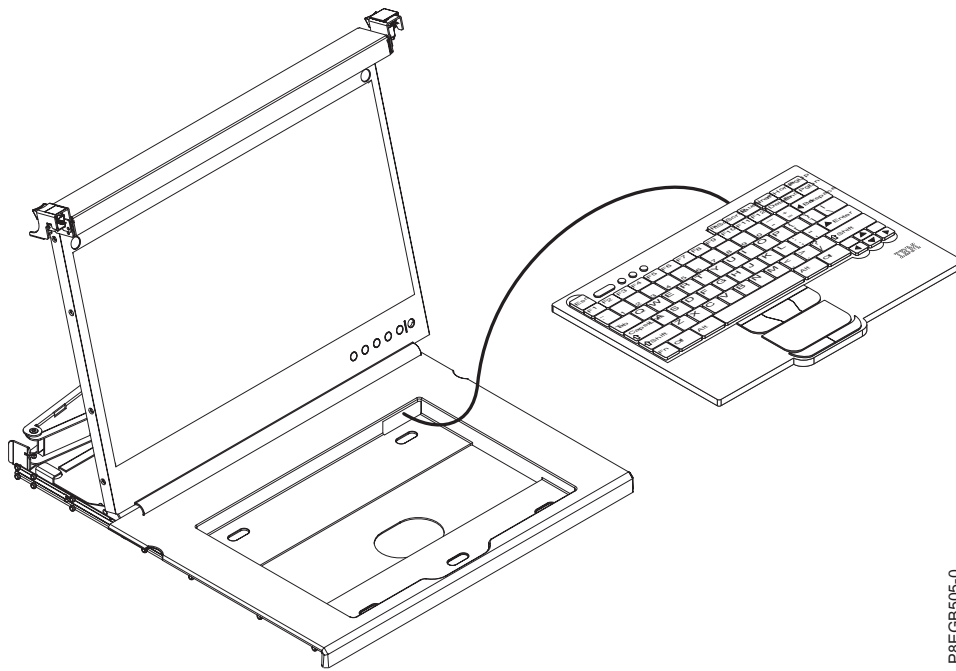
- d. Grasp both sides of the console unit and pull it completely out of the rack 2.
- e. Place the console unit on a table or other flat surface.

### Moving the keyboard

Learn how to move the keyboard from the console unit.

To move the keyboard from the existing console unit to the replacement console unit, complete the following steps:

1. Carefully lift the flat-panel display to the full upright position.
2. Remove the keyboard-and-mouse cable from the keyboard tray, and then remove the keyboard from the console unit and set it aside.
3. Place the replacement console unit on a table or other flat surface and make sure that the right side of the unit extends approximately 76 mm (3 in.) over the edge of the surface. This will help you route the keyboard-and-mouse cable more easily.
4. Hold the keyboard near the keyboard tray and carefully route the keyboard-and-mouse cable down through the keyboard tray cutout and up through the cutout that is behind the flat-panel display. (See the illustration.) Carefully pull the cable through the cutouts.



5. Place the keyboard in the tray and exert a small amount of pressure on the keyboard to secure it to the double-sided tape on the front of the console tray.
6. Close the flat-panel display.

**Attention:**

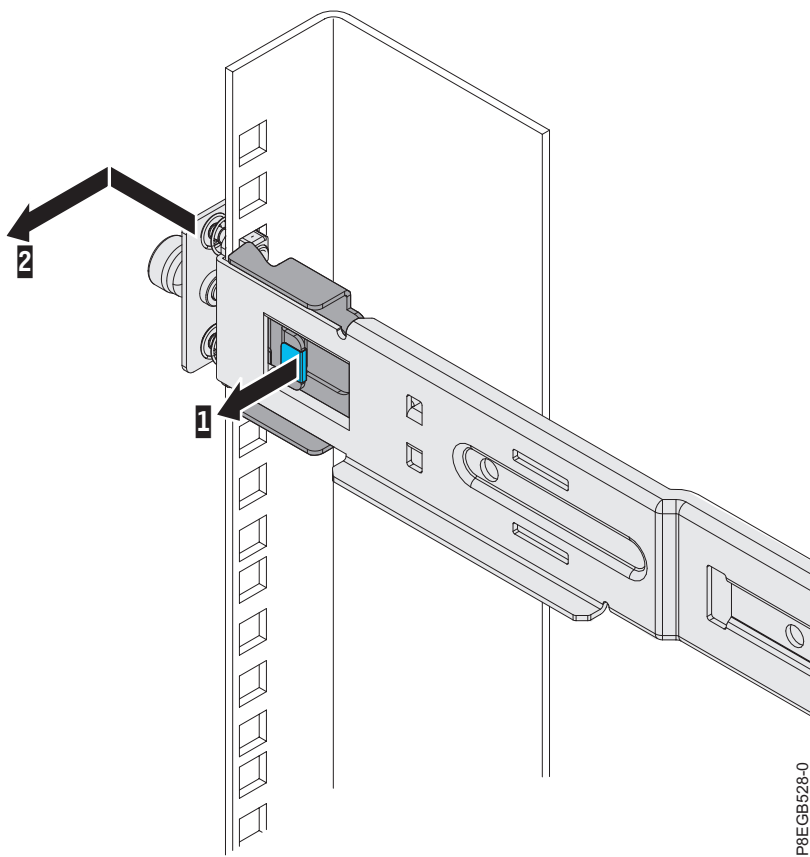
- When you route the keyboard-and-mouse cable, make sure that the cable does not hang below the underside of the keyboard where it might be damaged if it interferes with the devices in the rack space below the console unit.
  - Make sure that you route all cables through the cable-routing features on the console frame behind the display and along the cable-management arm.
7. Close the flat-panel display.

## Removing and replacing the outer slide-rails

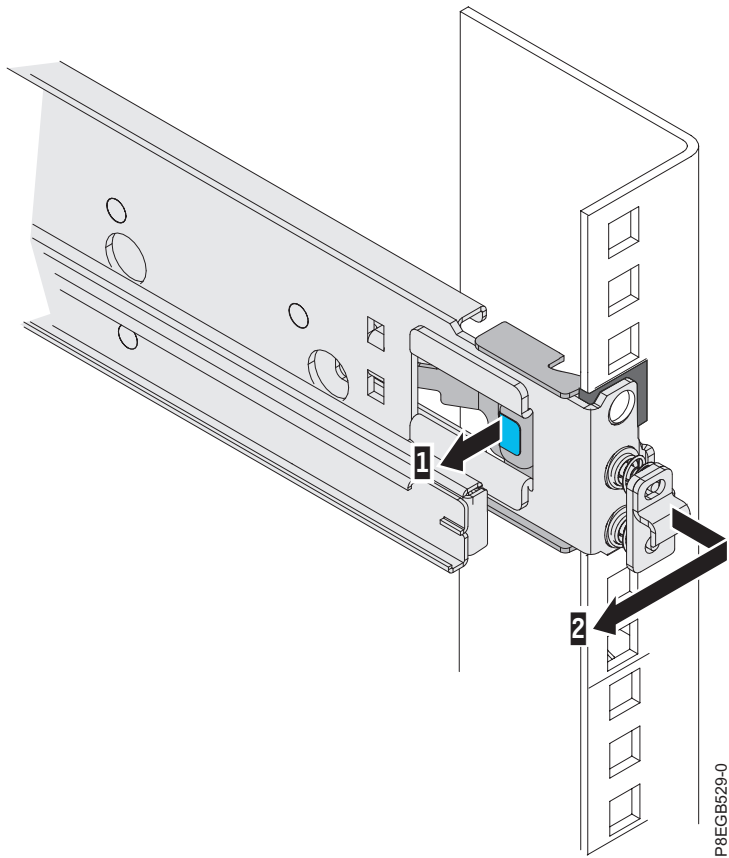
Learn how to remove and replace the outer slide-rails.

To remove and replace the outer slide-rails, complete the following steps:

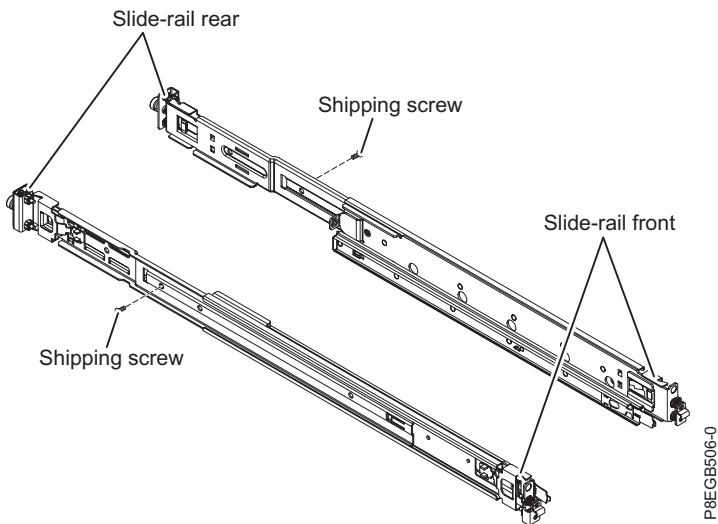
1. Remove the rear bracket of the outer slide-rail from the rack by pulling the blue tab out **1** while you move the end of the slide-rail away from the rack flange and toward the center of the rack **2**.



2. Remove the front bracket of the outer slide-rail from the rack by pulling the blue tab out **1** while you pull the end of the slide-rail away from the rack flange and toward the center of the rack **2**. Repeat step 1 and step 2 for the other outer slide-rail.



3. Remove the shipping screw from each new outer slide-rail.

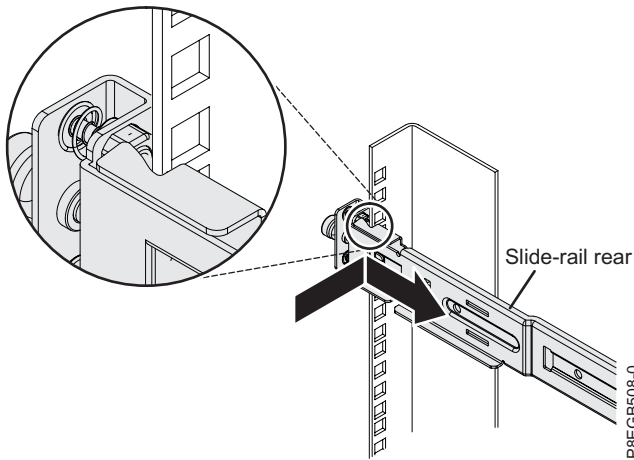


4. To attach the outer slide-rail to the rack, complete the following steps.

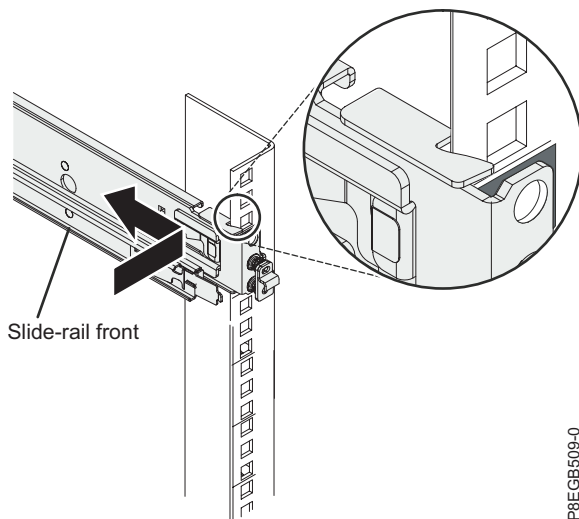
**Note:** Install the rear slide-rail bracket to the rear of the rack first; then, install the front slide-rail bracket to the front of the rack.

- a. Holding the slide-rail horizontally, align the rear slide-rail bracket so that the bracket is on the outside of the rack mounting flanges.

- b. Press the rear slide-rail bracket towards the rack flange and then pull it towards the front of the rack until the locking bracket clicks into place behind the rack flange.



- c. Extend the slide-rail and press the front slide-rail bracket towards the rack flange and then push it towards the rear of the rack until the locking bracket clicks into place behind the rack flange.



- d. Repeat steps 4a to 4c to attach the other outer slide-rail.

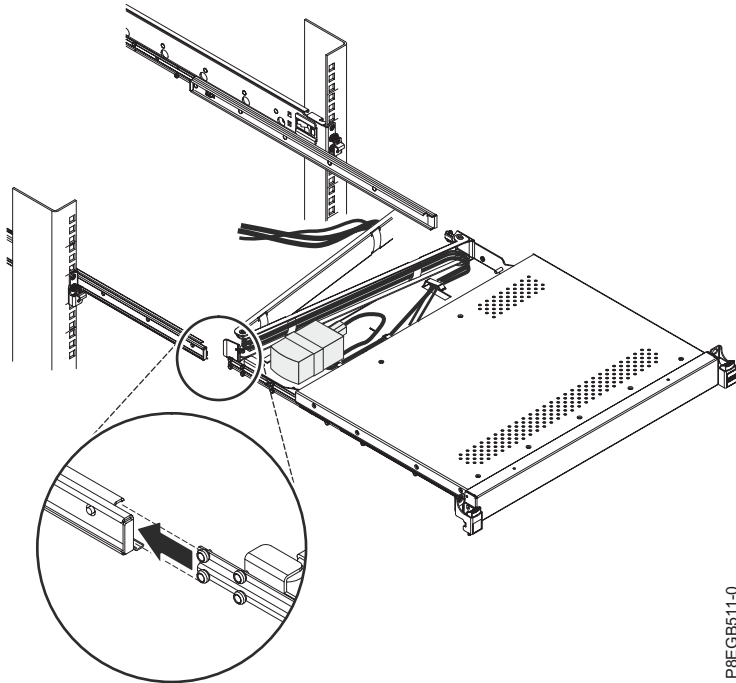
### Installing the console unit in the rack

Learn how to install the console unit in the rack.

To install the console unit in the rack, complete the following steps:

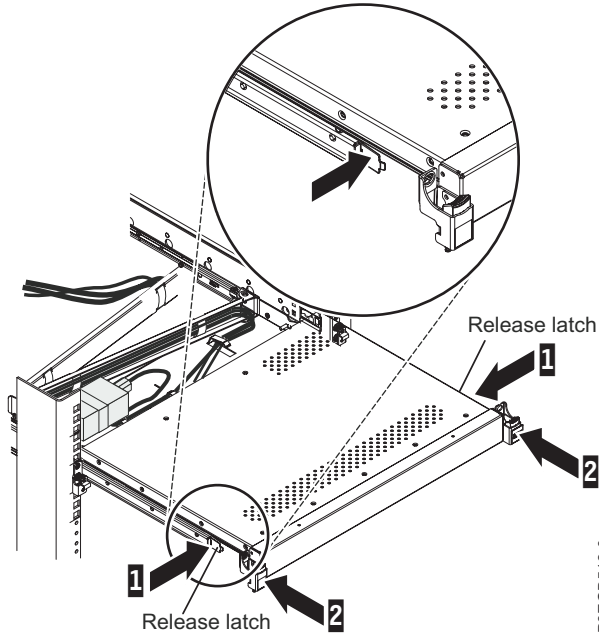
1. Extend the inner part of the outer slide-rails and slide them forward to the front of the outer rails. Carefully slide the rollers on the console unit into the notch in the slide-rails as shown in the illustration.





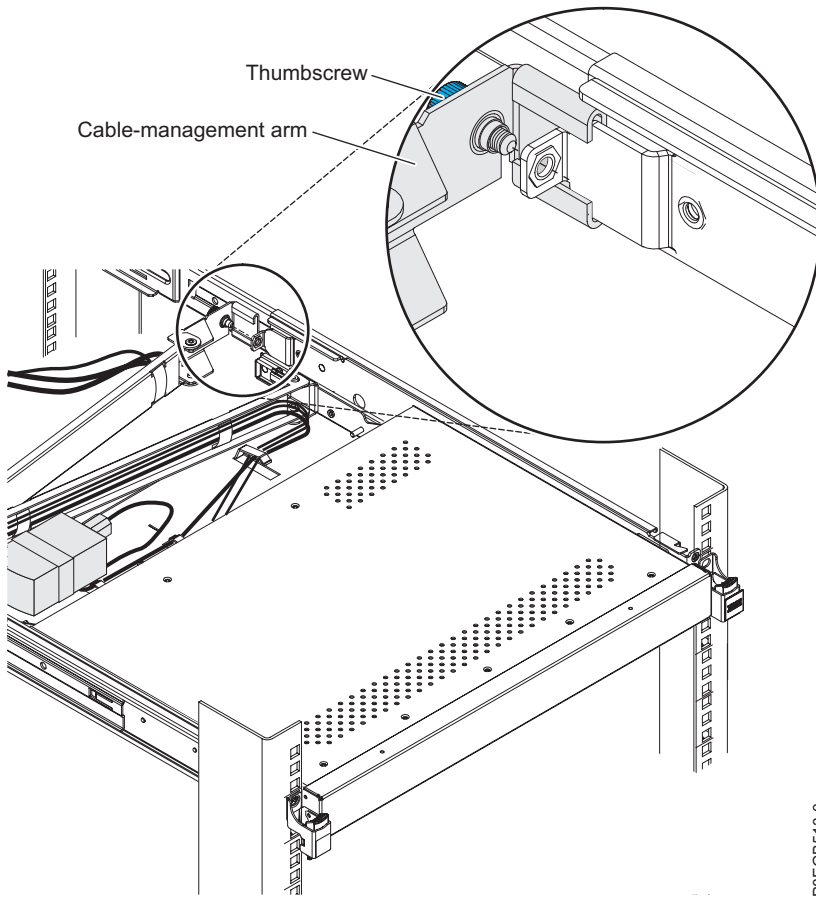
P8EGB511-0

2. Press in both release latches **1**; then, grasp both sides of the console unit and push it completely into the rack **2**. There will be resistance initially as the inner and outer rails are aligned. Pull the console unit out halfway, and then push it back in to seat the console unit in the rails. Do this a few times until the console unit moves smoothly in the rails.

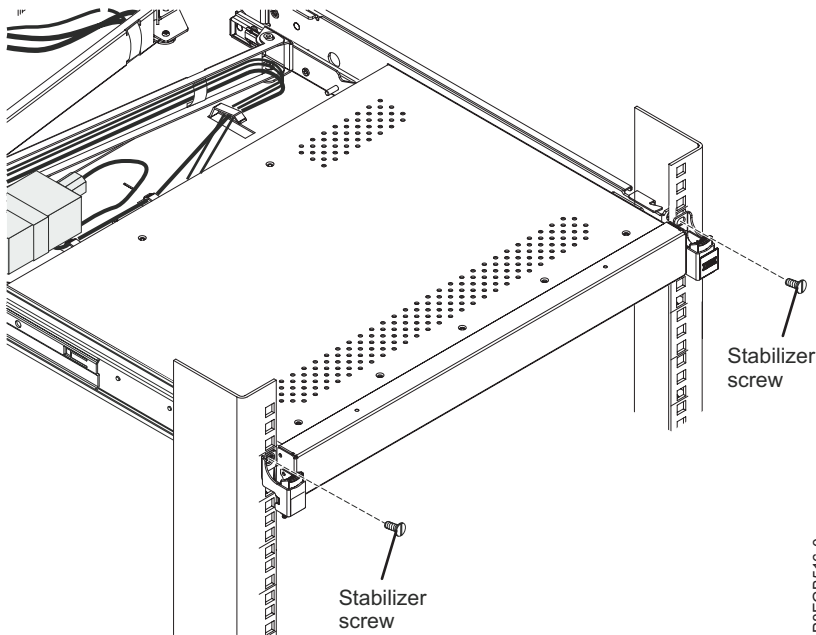


P8EGB512-0

3. Align the C-channel on the end of the cable-management arm with the bracket on the console unit. Slide the C-channel onto the bracket until the cable-management arm thumbscrew aligns with the hole in the bracket. Tighten the thumbscrew.



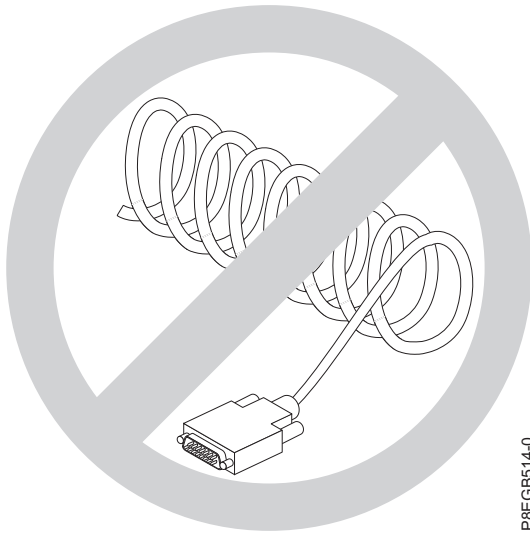
4. Reinstall the stabilizer screws if you have removed them.



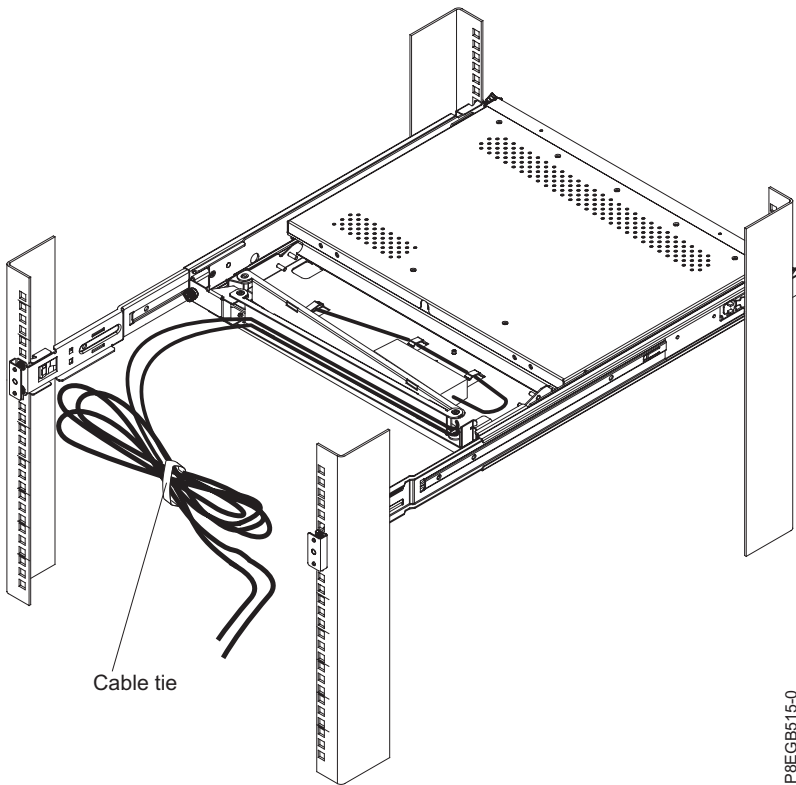
5. If you removed a console switch from behind the console unit, reinstall it now.
6. Reconnect to the server or console switch all cables that you removed.
7. Connect power to the display.

8. Fully extend the console unit from the front of the rack, and then neatly route the cables within the rack and secure them with cable straps along the way.

**Important:** If you have excess video cable, do not coil it as shown in the following illustration.



To minimize the electrical interference if you have excess video cable, arrange the cable in figure-eight loops, as shown in the following illustration. Secure the cable in the middle with a cable tie or strap.





---

## Notices

This information was developed for products and services offered in the U.S.A.

The manufacturer may not offer the products, services, or features discussed in this document in other countries. Consult the manufacturer's representative for information on the products and services currently available in your area. Any reference to the manufacturer's product, program, or service is not intended to state or imply that only that product, program, or service may be used. Any functionally equivalent product, program, or service that does not infringe any intellectual property right of the manufacturer may be used instead. However, it is the user's responsibility to evaluate and verify the operation of any product, program, or service.

The manufacturer may have patents or pending patent applications covering subject matter described in this document. The furnishing of this document does not grant you any license to these patents. You can send license inquiries, in writing, to the manufacturer.

**The following paragraph does not apply to the United Kingdom or any other country where such provisions are inconsistent with local law:** THIS PUBLICATION IS PROVIDED "AS IS" WITHOUT WARRANTY OF ANY KIND, EITHER EXPRESS OR IMPLIED, INCLUDING, BUT NOT LIMITED TO, THE IMPLIED WARRANTIES OF NON-INFRINGEMENT, MERCHANTABILITY OR FITNESS FOR A PARTICULAR PURPOSE. Some states do not allow disclaimer of express or implied warranties in certain transactions, therefore, this statement may not apply to you.

This information could include technical inaccuracies or typographical errors. Changes are periodically made to the information herein; these changes will be incorporated in new editions of the publication. The manufacturer may make improvements and/or changes in the product(s) and/or the program(s) described in this publication at any time without notice.

Any references in this information to websites not owned by the manufacturer are provided for convenience only and do not in any manner serve as an endorsement of those websites. The materials at those websites are not part of the materials for this product and use of those websites is at your own risk.

The manufacturer may use or distribute any of the information you supply in any way it believes appropriate without incurring any obligation to you.

Any performance data contained herein was determined in a controlled environment. Therefore, the results obtained in other operating environments may vary significantly. Some measurements may have been made on development-level systems and there is no guarantee that these measurements will be the same on generally available systems. Furthermore, some measurements may have been estimated through extrapolation. Actual results may vary. Users of this document should verify the applicable data for their specific environment.

Information concerning products not produced by this manufacturer was obtained from the suppliers of those products, their published announcements or other publicly available sources. This manufacturer has not tested those products and cannot confirm the accuracy of performance, compatibility or any other claims related to products not produced by this manufacturer. Questions on the capabilities of products not produced by this manufacturer should be addressed to the suppliers of those products.

All statements regarding the manufacturer's future direction or intent are subject to change or withdrawal without notice, and represent goals and objectives only.

The manufacturer's prices shown are the manufacturer's suggested retail prices, are current and are subject to change without notice. Dealer prices may vary.

This information is for planning purposes only. The information herein is subject to change before the products described become available.

This information contains examples of data and reports used in daily business operations. To illustrate them as completely as possible, the examples include the names of individuals, companies, brands, and products. All of these names are fictitious and any similarity to the names and addresses used by an actual business enterprise is entirely coincidental.

If you are viewing this information in softcopy, the photographs and color illustrations may not appear.

The drawings and specifications contained herein shall not be reproduced in whole or in part without the written permission of the manufacturer.

The manufacturer has prepared this information for use with the specific machines indicated. The manufacturer makes no representations that it is suitable for any other purpose.

The manufacturer's computer systems contain mechanisms designed to reduce the possibility of undetected data corruption or loss. This risk, however, cannot be eliminated. Users who experience unplanned outages, system failures, power fluctuations or outages, or component failures must verify the accuracy of operations performed and data saved or transmitted by the system at or near the time of the outage or failure. In addition, users must establish procedures to ensure that there is independent data verification before relying on such data in sensitive or critical operations. Users should periodically check the manufacturer's support websites for updated information and fixes applicable to the system and related software.

## **Homologation statement**

This product may not be certified in your country for connection by any means whatsoever to interfaces of public telecommunications networks. Further certification may be required by law prior to making any such connection. Contact an IBM representative or reseller for any questions.

---

## **Trademarks**

IBM, the IBM logo, and [ibm.com](http://ibm.com) are trademarks or registered trademarks of International Business Machines Corp., registered in many jurisdictions worldwide. Other product and service names might be trademarks of IBM or other companies. A current list of IBM trademarks is available on the web at [www.ibm.com/legal/copytrade.shtml](http://www.ibm.com/legal/copytrade.shtml).

Adobe, the Adobe logo, PostScript, and the PostScript logo are either registered trademarks or trademarks of Adobe Systems Incorporated in the United States, and/or other countries.

Microsoft and Windows are trademarks of Microsoft Corporation in the United States, other countries, or both.

Red Hat, the Red Hat "Shadow Man" logo, and all Red Hat-based trademarks and logos are trademarks or registered trademarks of Red Hat, Inc., in the United States and other countries.

---

## **Electronic emission notices**

When attaching a monitor to the equipment, you must use the designated monitor cable and any interference suppression devices supplied with the monitor.

## **Class A Notices**

The following Class A statements apply to the IBM servers that contain the POWER7<sup>®</sup> processor and its features unless designated as electromagnetic compatibility (EMC) Class B in the feature information.

## **Federal Communications Commission (FCC) statement**

**Note:** This equipment has been tested and found to comply with the limits for a Class A digital device, pursuant to Part 15 of the FCC Rules. These limits are designed to provide reasonable protection against harmful interference when the equipment is operated in a commercial environment. This equipment generates, uses, and can radiate radio frequency energy and, if not installed and used in accordance with the instruction manual, may cause harmful interference to radio communications. Operation of this equipment in a residential area is likely to cause harmful interference, in which case the user will be required to correct the interference at his own expense.

Properly shielded and grounded cables and connectors must be used in order to meet FCC emission limits. IBM is not responsible for any radio or television interference caused by using other than recommended cables and connectors or by unauthorized changes or modifications to this equipment. Unauthorized changes or modifications could void the user's authority to operate the equipment.

This device complies with Part 15 of the FCC rules. Operation is subject to the following two conditions: (1) this device may not cause harmful interference, and (2) this device must accept any interference received, including interference that may cause undesired operation.

## **Industry Canada Compliance Statement**

This Class A digital apparatus complies with Canadian ICES-003.

## **Avis de conformité à la réglementation d'Industrie Canada**

Cet appareil numérique de la classe A est conforme à la norme NMB-003 du Canada.

## **European Community Compliance Statement**

This product is in conformity with the protection requirements of EU Council Directive 2004/108/EC on the approximation of the laws of the Member States relating to electromagnetic compatibility. IBM cannot accept responsibility for any failure to satisfy the protection requirements resulting from a non-recommended modification of the product, including the fitting of non-IBM option cards.

This product has been tested and found to comply with the limits for Class A Information Technology Equipment according to European Standard EN 55022. The limits for Class A equipment were derived for commercial and industrial environments to provide reasonable protection against interference with licensed communication equipment.

European Community contact:  
IBM Deutschland GmbH  
Technical Regulations, Department M372  
IBM-Allee 1, 71139 Ehningen, Germany  
Tele: +49 7032 15 2941  
email: [lugi@de.ibm.com](mailto:lugi@de.ibm.com)

**Warning:** This is a Class A product. In a domestic environment, this product may cause radio interference, in which case the user may be required to take adequate measures.

## VCCI Statement - Japan

この装置は、クラスA 情報技術装置です。この装置を家庭環境で使用すると電波妨害を引き起こすことがあります。この場合には使用者が適切な対策を講ずるよう要求されることがあります。

VCCI-A

The following is a summary of the VCCI Japanese statement in the box above:

This is a Class A product based on the standard of the VCCI Council. If this equipment is used in a domestic environment, radio interference may occur, in which case, the user may be required to take corrective actions.

### Japanese Electronics and Information Technology Industries Association (JEITA) Confirmed Harmonics Guideline (products less than or equal to 20 A per phase)

高調波ガイドライン適合品

### Japanese Electronics and Information Technology Industries Association (JEITA) Confirmed Harmonics Guideline with Modifications (products greater than 20 A per phase)

高調波ガイドライン準用品

## Electromagnetic Interference (EMI) Statement - People's Republic of China

### 声 明

此为 A 级产品,在生活环境  
中,该产品可能会造成无线电干  
扰。在这种情况下,可能需要用  
户对其干扰采取切实可行的措  
施。

Declaration: This is a Class A product. In a domestic environment this product may cause radio interference in which case the user may need to perform practical action.



## Electromagnetic Interference (EMI) Statement - Taiwan

警告使用者：  
這是甲類的資訊產品，在居住的環境中使用時，可能會造成射頻干擾，在這種情況下，使用者會被要求採取某些適當的對策。

The following is a summary of the EMI Taiwan statement above.

Warning: This is a Class A product. In a domestic environment this product may cause radio interference in which case the user will be required to take adequate measures.

### IBM Taiwan Contact Information:

台灣IBM 產品服務聯絡方式：  
台灣國際商業機器股份有限公司  
台北市松仁路7號3樓  
電話：0800-016-888

## Electromagnetic Interference (EMI) Statement - Korea

이 기기는 업무용(A급)으로 전자파적합기기로서 판매자 또는 사용자는 이 점을 주의하시기 바라며, 가정외의 지역에서 사용하는 것을 목적으로 합니다.

## Germany Compliance Statement

### Deutschsprachiger EU Hinweis: Hinweis für Geräte der Klasse A EU-Richtlinie zur Elektromagnetischen Verträglichkeit

Dieses Produkt entspricht den Schutzanforderungen der EU-Richtlinie 2004/108/EG zur Angleichung der Rechtsvorschriften über die elektromagnetische Verträglichkeit in den EU-Mitgliedsstaaten und hält die Grenzwerte der EN 55022 Klasse A ein.

Um dieses sicherzustellen, sind die Geräte wie in den Handbüchern beschrieben zu installieren und zu betreiben. Des Weiteren dürfen auch nur von der IBM empfohlene Kabel angeschlossen werden. IBM übernimmt keine Verantwortung für die Einhaltung der Schutzanforderungen, wenn das Produkt ohne Zustimmung von IBM verändert bzw. wenn Erweiterungskomponenten von Fremdherstellern ohne Empfehlung von IBM gesteckt/eingebaut werden.

EN 55022 Klasse A Geräte müssen mit folgendem Warnhinweis versehen werden:  
"Warnung: Dieses ist eine Einrichtung der Klasse A. Diese Einrichtung kann im Wohnbereich Funk-Störungen verursachen; in diesem Fall kann vom Betreiber verlangt werden, angemessene Maßnahmen zu ergreifen und dafür aufzukommen."

#### **Deutschland: Einhaltung des Gesetzes über die elektromagnetische Verträglichkeit von Geräten**

Dieses Produkt entspricht dem "Gesetz über die elektromagnetische Verträglichkeit von Geräten (EMVG)". Dies ist die Umsetzung der EU-Richtlinie 2004/108/EG in der Bundesrepublik Deutschland.

#### **Zulassungsbescheinigung laut dem Deutschen Gesetz über die elektromagnetische Verträglichkeit von Geräten (EMVG) (bzw. der EMC EG Richtlinie 2004/108/EG) für Geräte der Klasse A**

Dieses Gerät ist berechtigt, in Übereinstimmung mit dem Deutschen EMVG das EG-Konformitätszeichen - CE - zu führen.

Verantwortlich für die Einhaltung der EMV Vorschriften ist der Hersteller:  
International Business Machines Corp.  
New Orchard Road  
Armonk, New York 10504  
Tel: 914-499-1900

Der verantwortliche Ansprechpartner des Herstellers in der EU ist:  
IBM Deutschland GmbH  
Technical Regulations, Abteilung M372  
IBM-Allee 1, 71139 Ehningen, Germany  
Tel: +49 7032 15 2941  
email: lugi@de.ibm.com

Generelle Informationen:

**Das Gerät erfüllt die Schutzanforderungen nach EN 55024 und EN 55022 Klasse A.**

#### **Electromagnetic Interference (EMI) Statement - Russia**

**ВНИМАНИЕ! Настоящее изделие относится к классу А.  
В жилых помещениях оно может создавать  
радиопомехи, для снижения которых необходимы  
дополнительные меры**

#### **Class B Notices**

The following Class B statements apply to features designated as electromagnetic compatibility (EMC) Class B in the feature installation information.

#### **Federal Communications Commission (FCC) statement**

This equipment has been tested and found to comply with the limits for a Class B digital device, pursuant to Part 15 of the FCC Rules. These limits are designed to provide reasonable protection against harmful interference in a residential installation.

This equipment generates, uses, and can radiate radio frequency energy and, if not installed and used in accordance with the instructions, may cause harmful interference to radio communications. However, there is no guarantee that interference will not occur in a particular installation.

If this equipment does cause harmful interference to radio or television reception, which can be determined by turning the equipment off and on, the user is encouraged to try to correct the interference by one or more of the following measures:

- Reorient or relocate the receiving antenna.
- Increase the separation between the equipment and receiver.
- Connect the equipment into an outlet on a circuit different from that to which the receiver is connected.
- Consult an IBM-authorized dealer or service representative for help.

Properly shielded and grounded cables and connectors must be used in order to meet FCC emission limits. Proper cables and connectors are available from IBM-authorized dealers. IBM is not responsible for any radio or television interference caused by unauthorized changes or modifications to this equipment. Unauthorized changes or modifications could void the user's authority to operate this equipment.

This device complies with Part 15 of the FCC rules. Operation is subject to the following two conditions: (1) this device may not cause harmful interference, and (2) this device must accept any interference received, including interference that may cause undesired operation.

### **Industry Canada Compliance Statement**

This Class B digital apparatus complies with Canadian ICES-003.

### **Avis de conformité à la réglementation d'Industrie Canada**

Cet appareil numérique de la classe B est conforme à la norme NMB-003 du Canada.

### **European Community Compliance Statement**

This product is in conformity with the protection requirements of EU Council Directive 2004/108/EC on the approximation of the laws of the Member States relating to electromagnetic compatibility. IBM cannot accept responsibility for any failure to satisfy the protection requirements resulting from a non-recommended modification of the product, including the fitting of non-IBM option cards.

This product has been tested and found to comply with the limits for Class B Information Technology Equipment according to European Standard EN 55022. The limits for Class B equipment were derived for typical residential environments to provide reasonable protection against interference with licensed communication equipment.

European Community contact:  
IBM Deutschland GmbH  
Technical Regulations, Department M372  
IBM-Allee 1, 71139 Ehningen, Germany  
Tele: +49 7032 15 2941  
email: [lugi@de.ibm.com](mailto:lugi@de.ibm.com)

## VCCI Statement - Japan

この装置は、クラスB情報技術装置です。この装置は、家庭環境で使用することを目的としていますが、この装置がラジオやテレビジョン受信機に近接して使用されると、受信障害を引き起こすことがあります。

取扱説明書に従って正しい取り扱いをして下さい。 VCCI-B

## Japanese Electronics and Information Technology Industries Association (JEITA) Confirmed Harmonics Guideline (products less than or equal to 20 A per phase)

高調波ガイドライン適合品

## Japanese Electronics and Information Technology Industries Association (JEITA) Confirmed Harmonics Guideline with Modifications (products greater than 20 A per phase)

高調波ガイドライン準用品

## IBM Taiwan Contact Information

台灣IBM 產品服務聯絡方式：  
台灣國際商業機器股份有限公司  
台北市松仁路7號3樓  
電話：0800-016-888

## Electromagnetic Interference (EMI) Statement - Korea

이 기기는 가정용(B급)으로 전자파적합기기로서 주로 가정에서 사용하는 것을 목적으로 하며, 모든 지역에서 사용할 수 있습니다.

## Germany Compliance Statement

Deutschsprachiger EU Hinweis: Hinweis für Geräte der Klasse B EU-Richtlinie zur Elektromagnetischen Verträglichkeit

Dieses Produkt entspricht den Schutzanforderungen der EU-Richtlinie 2004/108/EG zur Angleichung der Rechtsvorschriften über die elektromagnetische Verträglichkeit in den EU-Mitgliedsstaaten und hält die Grenzwerte der EN 55022 Klasse B ein.

Um dieses sicherzustellen, sind die Geräte wie in den Handbüchern beschrieben zu installieren und zu betreiben. Des Weiteren dürfen auch nur von der IBM empfohlene Kabel angeschlossen werden. IBM übernimmt keine Verantwortung für die Einhaltung der Schutzanforderungen, wenn das Produkt ohne Zustimmung von IBM verändert bzw. wenn Erweiterungskomponenten von Fremdherstellern ohne Empfehlung von IBM gesteckt/eingebaut werden.

#### **Deutschland: Einhaltung des Gesetzes über die elektromagnetische Verträglichkeit von Geräten**

Dieses Produkt entspricht dem "Gesetz über die elektromagnetische Verträglichkeit von Geräten (EMVG)". Dies ist die Umsetzung der EU-Richtlinie 2004/108/EG in der Bundesrepublik Deutschland.

#### **Zulassungsbescheinigung laut dem Deutschen Gesetz über die elektromagnetische Verträglichkeit von Geräten (EMVG) (bzw. der EMC EG Richtlinie 2004/108/EG) für Geräte der Klasse B**

Dieses Gerät ist berechtigt, in Übereinstimmung mit dem Deutschen EMVG das EG-Konformitätszeichen - CE - zu führen.

Verantwortlich für die Einhaltung der EMV Vorschriften ist der Hersteller:  
International Business Machines Corp.  
New Orchard Road  
Armonk, New York 10504  
Tel: 914-499-1900

Der verantwortliche Ansprechpartner des Herstellers in der EU ist:  
IBM Deutschland GmbH  
Technical Regulations, Abteilung M372  
IBM-Allee 1, 71139 Ehningen, Germany  
Tel: +49 7032 15 2941  
email: [lugi@de.ibm.com](mailto:lugi@de.ibm.com)

Generelle Informationen:

**Das Gerät erfüllt die Schutzanforderungen nach EN 55024 und EN 55022 Klasse B.**

---

## **Terms and conditions**

Permissions for the use of these publications are granted subject to the following terms and conditions.

**Applicability:** These terms and conditions are in addition to any terms of use for the IBM website.

**Personal Use:** You may reproduce these publications for your personal, noncommercial use provided that all proprietary notices are preserved. You may not distribute, display or make derivative works of these publications, or any portion thereof, without the express consent of IBM.

**Commercial Use:** You may reproduce, distribute and display these publications solely within your enterprise provided that all proprietary notices are preserved. You may not make derivative works of these publications, or reproduce, distribute or display these publications or any portion thereof outside your enterprise, without the express consent of IBM.

**Rights:** Except as expressly granted in this permission, no other permissions, licenses or rights are granted, either express or implied, to the Publications or any information, data, software or other intellectual property contained therein.

IBM reserves the right to withdraw the permissions granted herein whenever, in its discretion, the use of the publications is detrimental to its interest or, as determined by IBM, the above instructions are not being properly followed.

You may not download, export or re-export this information except in full compliance with all applicable laws and regulations, including all United States export laws and regulations.

IBM MAKES NO GUARANTEE ABOUT THE CONTENT OF THESE PUBLICATIONS. THE PUBLICATIONS ARE PROVIDED "AS-IS" AND WITHOUT WARRANTY OF ANY KIND, EITHER EXPRESSED OR IMPLIED, INCLUDING BUT NOT LIMITED TO IMPLIED WARRANTIES OF MERCHANTABILITY, NON-INFRINGEMENT, AND FITNESS FOR A PARTICULAR PURPOSE.





Printed in USA