



Welcome to:

POWER Systems Micro-Partitioning Part 2

Janel Barfield
jgbarfie@us.ibm.com

Objectives

- Use AIX commands to view partition configuration and processor performance information
- Describe performance considerations when configuring Micro-Partitioning options
- Configure a partition using the advanced processor options

Viewing Processor Information

- Processors are seen with the `lsdev` command
 - `lsdev` shows *physical* or *virtual* processors

```
# lsdev -Cc processor
proc0 Available 00-00 Processor
proc2 Available 00-02 Processor
```

- Processor attributes are seen with the `lsattr` command

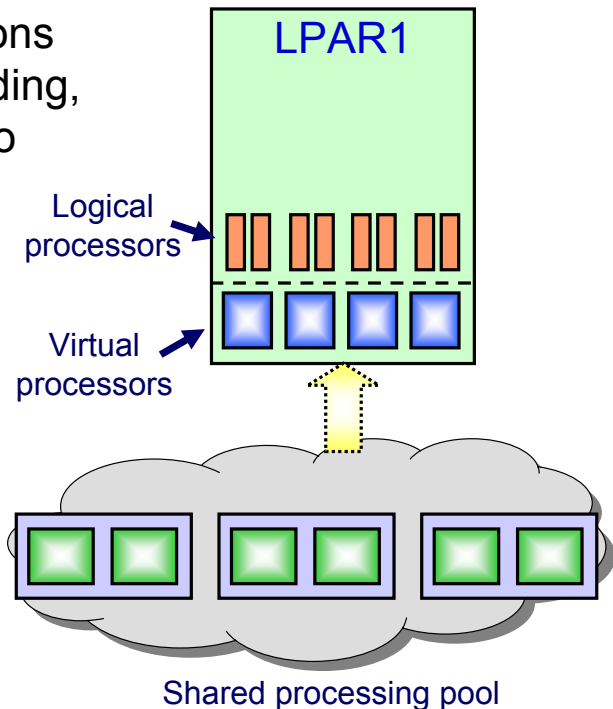
```
# lsattr -El proc0
frequency    1656000000      Processor Speed      False
smt_enabled  true           Processor SMT enabled False
smt_threads  2             Processor SMT threads False
state        enable         Processor state      False
type         PowerPC_POWER5 Processor type        False
```

- Logical processors are seen with the `bindprocessor` command

```
# bindprocessor -q
The available processors are:  0 1 2 3
```

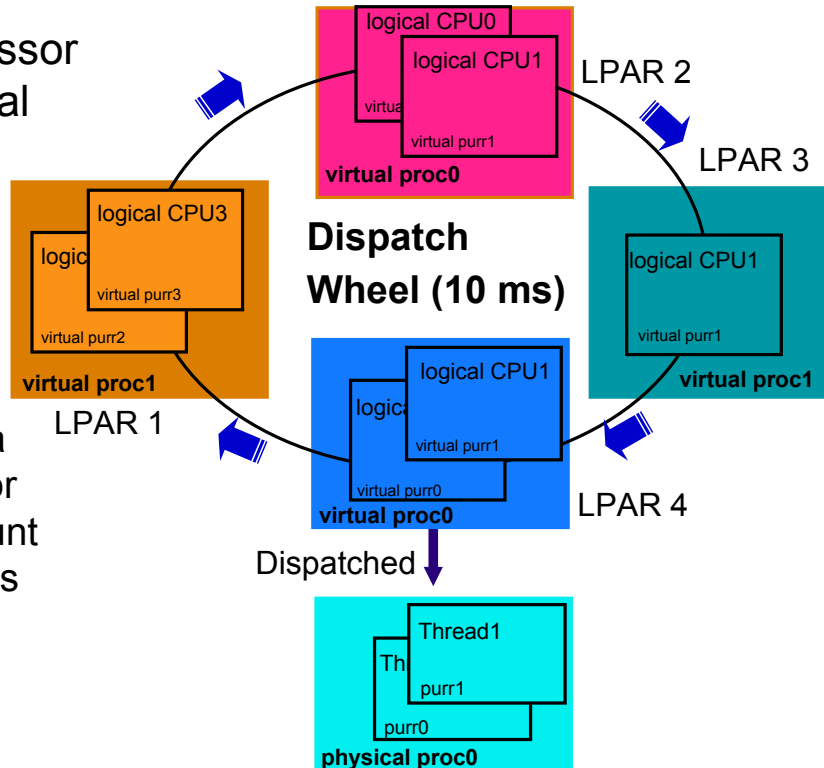
Simultaneous Multi-Threading and SPLPARs

- Simultaneous multi-threading can be used with Micro-Partitions
- With simultaneous multi-threading, each virtual processor runs two threads
 - Each thread is called a logical processor
- LPAR1 example:
 - 1.6 processing units
 - 4 virtual processors
 - Simultaneous multi-threading enabled
 - 8 logical processors



Metrics with Simultaneous Multi-Threading and SPLPAR

- Each virtual processor supports two logical processors
 - Dispatched at the same time
- PURR statistic
 - Still measures fraction of time partition runs on a physical processor (the relative amount of processing units consumed)



Viewing Partition Information (1 of 2)

- `lparstat -i` command

```
$ lparstat -i
```

```
Node Name                : lou162
Partition Name           : LPAR2
Partition Number         : 2
Type                     : Shared-SMT
Mode                     : Capped
Entitled Capacity        : 0.50
Partition Group-ID       : 32770
Shared Pool ID           : 0
Online Virtual CPUs      : 1
Maximum Virtual CPUs     : 2
Minimum Virtual CPUs     : 1
Online Memory            : 1280 MB
Maximum Memory           : 1536 MB
Minimum Memory           : 1024 MB
Variable Capacity Weight : 0
Minimum Capacity         : 0.10
Maximum Capacity         : 1.00
Capacity Increment       : 0.01
Maximum Physical CPUs in system : 2
Active Physical CPUs in system : 2
Active CPUs in Pool      : 2
Unallocated Capacity     : 0.00
Physical CPU Percentage   : 50.00%
Unallocated Weight       : 0
```

Viewing Partition Information (2 of 2)

- The HMC `lshwres` command

```
lshwres -r proc -m mansys --filter "lpar_names=LPAR" --level lpar
```

↑
**Managed
System Name**

↑
Partition Name

```
hscroot@hmc:~> lshwres -r proc -m sputnik --filter \  
"lpar_names=LPAR2" --level lpar -F curr_proc_units,curr_procs \  
--header
```

```
curr_proc_units,curr_procs  
0.6,6
```

AIX SPLPAR Tool Impact (1 of 2)

- SPLPAR tool impact:
 - Many standard AIX analysis tools and the Perfstat library have been enhanced to use the new Processor Utilization of Resources Register (PURR) or Scalable Processor Utilization of Resources Register (SPURR) in POWER6 systems
 - Additional metrics have been added
 - New tools have been added such as **lparstat** and **mpstat**
- **lparstat** is an easy way to view partition's configuration and processor usage:

```
# lparstat
```

```
System configuration: type=Shared mode=Capped smt=On lcpu=4  
mem=1024 psize=2 ent=0.80
```

%user	%sys	%wait	%idle	physc	%entc	lbusy	app	vcsw	phint
0.1	0.1	0.0	99.8	0.00	0.3	0.0	1.99	580	0

AIX SPLPAR Tool Impact (2 of 2)

- `vmstat`, `iostat`, `sar`:

- Automatically use new PURR-based metrics for %user, %sys, %wait, %idle with simultaneous multi-threading or shared processor partitions

- New metrics:

- Physical Processor Consumed (**pc** or **physc**) by the partition
- Percentage of Entitlement Consumed (**pec** or **%entc**) by the partition which can go as high as 1000% for uncapped partitions

- `mpstat` can be used to monitor logical and virtual processor activity

- `topas -L` adds LPAR view (shows new metrics)

- Additional tools such as `trace`-based tools can utilize additional metrics

Using sar with SPLPAR (1 of 2)

```
# sar -P ALL 1 2
```

```
AIX train172 3 5 00C88F7D4C00 03/01/05
```

```
System configuration: lcpu=2 ent=1.00
```

Idle System


20:20:57	cpu	%usr	%sys	%wio	%idle	physc	%entc
20:20:58	0	23	58	0	19	0.01	0.7
	1	0	2	0	98	0.00	0.2
	U	-	-	0	99	0.99	99.1
	-	0	0	0	99	0.01	0.9
20:20:59	0	15	60	0	25	0.01	0.5
	1	0	2	0	98	0.00	0.2
	U	-	-	0	99	0.99	99.3
	-	0	0	0	100	0.01	0.7
Average	0	20	59	0	21	0.01	0.6
	1	0	2	0	98	0.00	0.2
	U	-	-	0	99	0.99	99.2
	-	0	0	0	100	0.01	0.8


Using sar with SPLPAR (2 of 2)

```
# sar -P ALL 1 1
AIX bud152 3 5 00CDEF8E4C00 03/21/06
```

```
System configuration: lcpu=4 ent=0.80
```

16:19:23	cpu	%usr	%sys	%wio	%idle	physc	%entc
16:19:24	0	0	7	0	93	0.03	3.3
	1	100	0	0	0	0.37	46.8
	2	100	0	0	0	0.38	46.9
	3	0	1	0	99	0.02	3.1
	-	94	0	0	6	0.80	100.0

Busy System



```
# mpstat -s 1 1
System configuration: lcpu=4 ent=0.8
```

Proc0		Proc2	
39.99%		39.76%	
cpu0	cpu1	cpu2	cpu3
2.55%	37.45%	37.57%	2.19%

topas - Example Main Screen

```
Topas Monitor for host:      bud151                EVENTS/QUEUES      FILE/TTY
Wed Nov 23 20:29:20 2005   Interval:  2      Cswitch           260  Readch           1078
                               Syscall           261  Writech           161
Kernel      0.2   |#                               | Reads            1   Rawin            0
User        99.6  |#####|                               | Writes           1   Ttyout           162
Wait         0.0  |                               | Forks            0   Igets            0
Idle         0.2  |#                               | Execs            0   Namei            0
Physc = 0.80                               | Runqueue         8.0  Dirblk           0
                               | Waitqueue        0.0
Network  Kbps   I-Pack  O-Pack  KB-In  KB-Out
en0      0.3    2.5    0.5    0.1    0.2
lo0      0.1    1.0    1.0    0.1    0.1
Disk     Busy%   Kbps    TPS  KB-Read  KB-Writ
hdisk0   0.0    0.0    0.0    0.0    0.0
PAGING
Faults   0   MEMORY
Steals   0   % Comp    28.0
PgspIn   0   % Noncomp  3.9
PgspOut  0   % Client   4.7
PageIn   0
PageOut  0   PAGING SPACE
Sios     0   Size,MB   512
                               % Used    1.0
NFS (calls/sec) % Free    98.9
ServerV2  0
ClientV2  0   Press:
ServerV3  0   "h" for help
ClientV3  0   "q" to quit

Name      PID   CPU%  PgSp  Owner
spload    221394 39.8  1.3  root
topas     188422 0.0   1.1  root
gil       65568 0.0   0.1  root
aixmibd   237726 0.0   0.6  root
rpc.lock  147580 0.0   0.2  root
rmcd      176292 0.0   2.5  root
snmpdv3n  258276 0.0   1.0  root
```

Partition Data with topas -L

```
# topas -L
```

```
Interval:      2      Logical Partition: LPAR1      Wed Nov 23 20:32:04 2005
Psize:      2      Shared SMT      ON      Online Memory:      1024.0
Ent: 0.80      Mode: Capped      Online Logical CPUs: 4
Partition CPU Utilization      Online Virtual CPUs: 2
%usr %sys %wait %idle physc %entc %lbusy app vcsw phint %hypv hcalls
 100  0    0    0    0.8 99.98 50.00 1.18 240  0  0.0  0
```

```
=====
LCPU minpf majpf intr csw icsw runq lpa scalls usr sys _wt idl pc lcsw
Cpu0  0    0  263  134 119  2 100  99 100  0  0  0 0.41 100
Cpu1  0    0  106  112 103  2 100 123 100  0  0  0 0.39 100
Cpu2  0    0   10   0  0  0  0  0  0  0 23  0 77 0.00  20
Cpu3  0    0   10   0  0  0  0  0  0  0 27  0 73 0.00  20
```

Cross Partition Data with topas -C

Topas CEC Monitor
2005

Interval: 10

Mon Nov 28 17:10:46

Partitions	Memory (GB)	Processors
Shr: 3	Mon: 2.5 InUse: 1.2	Shr: 1 PSz: 0 Shr_PhysB: 0.01
Ded: 1	Avl: -	Ded: 1 APP: 0.0 Ded_PhysB: 0.00

Host	OS	M	Mem	InU	Lp	Us	Sy	Wa	Id	PhysB	Ent	%EntC	Vcsw	Phi
-----shared-----														
--														
bud151	A53	S	1.0	0.3	4	0	0	0	99	0.00	0.80	0.5	325	0
bud155	A53	S	0.5	0.3	2	0	1	0	98	0.00	0.10	3.7	279	0
bud152	A53	S	0.5	0.3	2	0	1	0	98	0.00	0.10	3.5	262	0

 Shared processor partitions

-----dedicated-----														
bud153	A53	C	0.5	0.3	2	0	0	0	99	0.00				

 Dedicated processor partition

Micro-Partitioning and Applications

- Applications do not need to be aware of Micro-Partitioning
- Applications that may not benefit from Micro-Partitioning:
 - Applications with a strong response time requirement for transactions may find Micro-Partitioning detrimental:
 - Because virtual processors can be dispatched at various times during a timeslice
 - May result in longer response time with too many virtual processors:
 - Each virtual processor with a small entitled capacity is in effect a slower CPU
 - Compensate with more entitled capacity (2-5% PUs over plan)
 - Applications with polling behavior
 - CPU intensive application examples: DSS, HPC
- Applications that are good candidates for Micro-Partitioning:
 - Ones with low average CPU utilization, with high peaks:
 - Examples: OLTP, web applications, mail server, directory servers