

IBM TotalStorage NAS 100



# Rack Installation Instructions



IBM TotalStorage NAS 100



# Rack Installation Instructions

**First Edition (August 2002)**

**© Copyright International Business Machines Corporation 2002. All rights reserved.**

US Government Users Restricted Rights – Use, duplication or disclosure restricted by GSA ADP Schedule Contract with IBM Corp.

---

# IBM TotalStorage™ NAS 100 Rack Installation Instructions

---

## Checking the rack installation kit

### Items that you find in the kit:

- **Two** telescopic slide rails
- **Four** brackets
- **Two** mounting ears
- **One** cable spiral wrap and eight cable ties
- **Assorted** hardware, including cage nuts, clip nuts, screws, nuts, and washers
- **One** *Rack Installation Instructions* (this manual)

### Items that you provide:

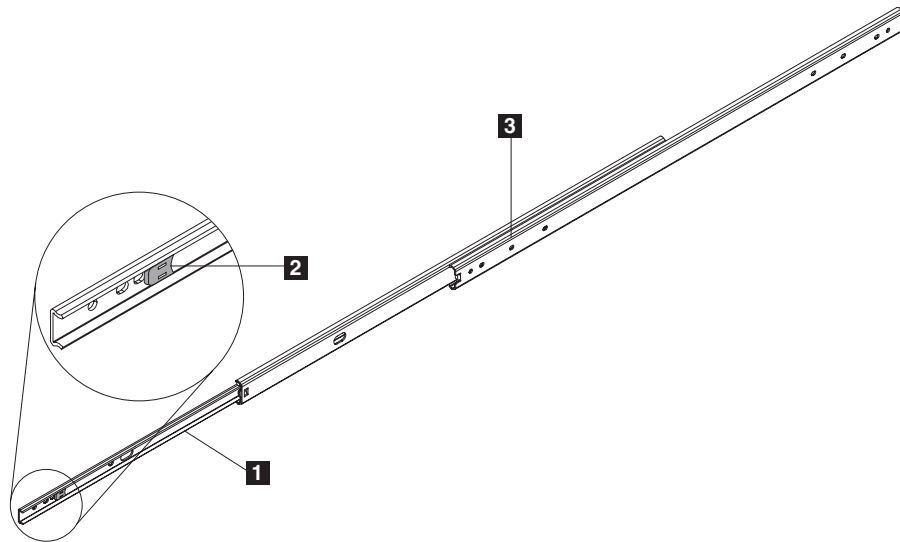
- **One** Phillips #2 screwdriver
- **One** flat-blade screwdriver (if you are using cage nuts)
- **One** nutdriver or pair of pliers

---

## Attaching the brackets

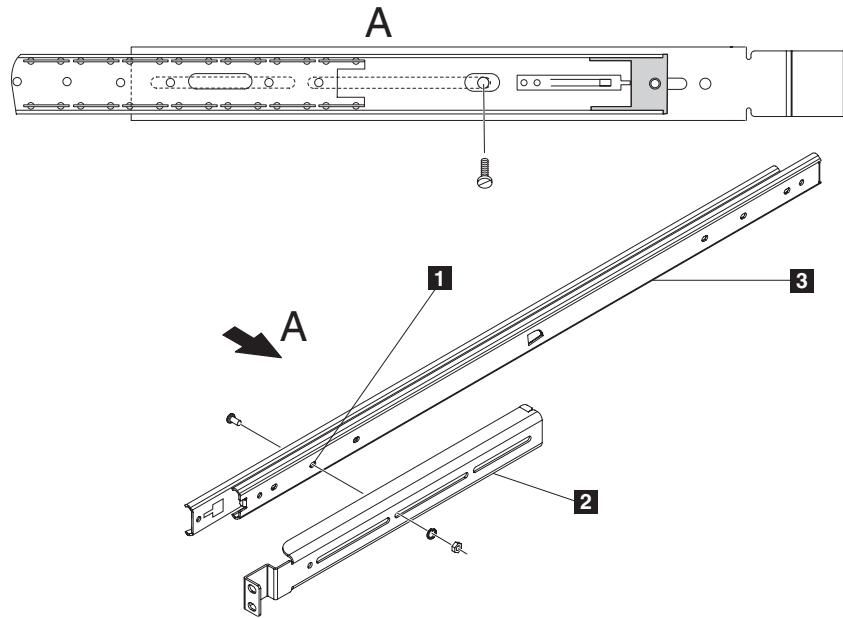
The following procedure explains how to attach the brackets to the telescopic slide rails.

1. Extend the inner server slide rail as far as it will go.
2. Pull the white spring tab on the server slide rail towards its open end and remove the server slide rail. Set it aside for attaching to the NAS 100 later.



- 1** Server slide rail
- 2** Spring tab
- 3** Telescopic slide rail

3. Attach the first bracket to the **front** end (the white end) of the telescopic slide rail:
  - a. Locate the alignment screw hole on the front end of the outer telescopic slide rail and align the bracket with it. The alignment screw hole establishes where each screw will go in relation to the bracket. For most installations, the alignment screw hole and bracket alignment will be the one illustrated in the following figure.

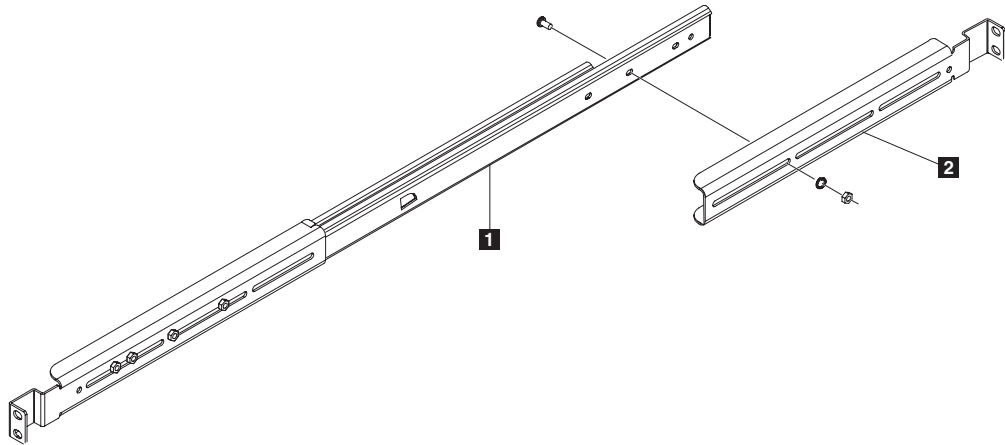


- 1** Alignment screw hole
- 2** Bracket
- 3** Outer telescopic slide rail

**Note:** You will have to slide the inner ball-bearing slide rail and the inner telescopic slide rail back and forth to align the oval cutout with the screw hole so that you can insert the screw.

- b. Insert an M4 screw through the bracket and in the alignment screw hole, fasten a washer and an M4 nut to it, and firmly tighten them. Repeat this step with three more screws in the remaining holes.
4. Extend the slide rails fully.

- Loosely attach the next bracket to the back end of the telescopic slide rail with four more M4 screws, washers, and nuts, as shown in the following figure.



- 1** Telescopic slide rail
- 2** Bracket

**Note:** Do not completely tighten these screws until you install the slide rail into the rack. This will make attaching the slide rail to the rack much easier. After the slide rail is attached to the rack, you can tighten the screws on the back bracket.

- Hold the slide rails with the attached brackets up to the rack and check that the slide rails and brackets will fit in the rack. Make any necessary adjustments to the back end of the slide rail and its bracket.
- Repeat this process with the other telescopic slide rail and brackets.

**Note:** Make sure that you install the screws in the other telescopic slide rail in **exactly** the same places that you installed them in the first telescopic slide rail.

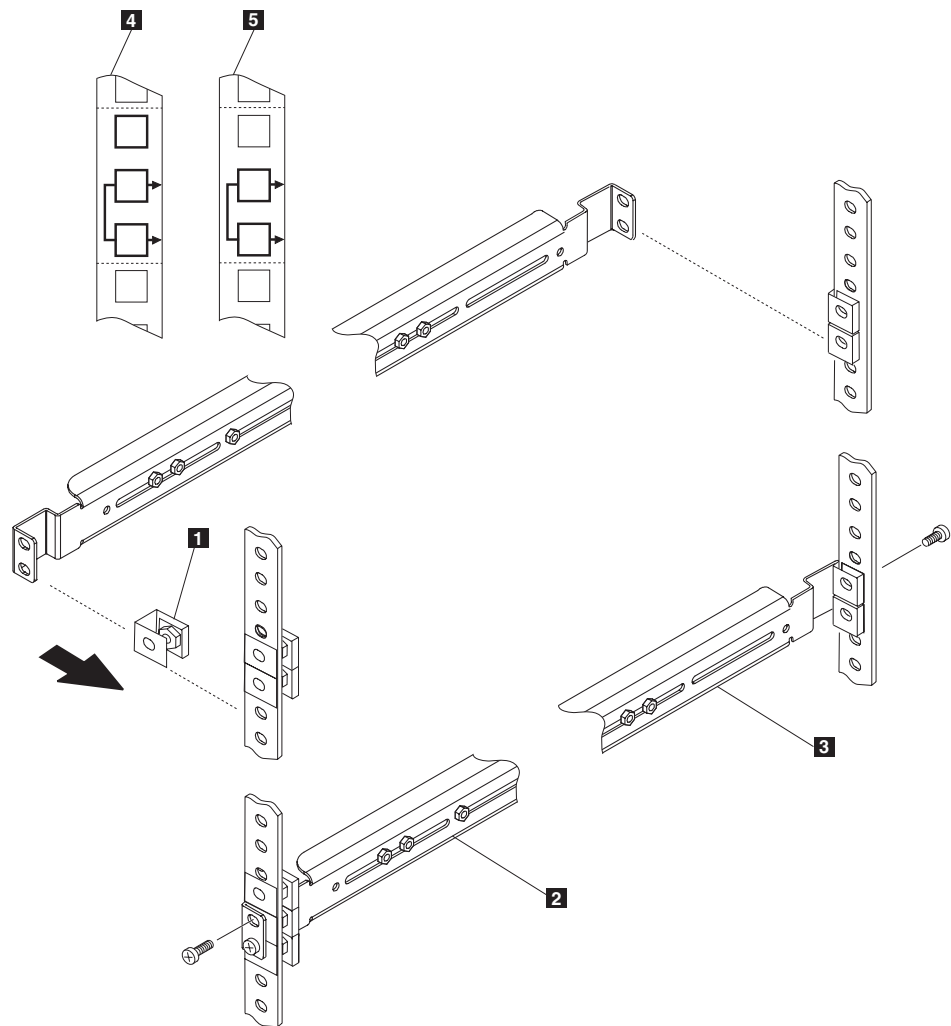


## Mounting the slide rails on the rack

The following procedure explains how to attach the telescopic slide rails to the rack.

1. Determine where on the rack you want to mount the NAS 100.
2. Depending on your rack type, use a screwdriver to insert the cage nuts or slide the clip nuts into the appropriate holes. You will install two nuts on each side of the back of the rack and three nuts on each side of the front of the rack (the top nut is used for the mounting ear on the front of the NAS 100).

**Note:** Make sure that you insert each of the bottom nuts at the same height on the rack so that the installed NAS 100 will be level.



- 1 Cage or clip (shown) nut
- 2 Front bracket
- 3 Back bracket
- 4 Left/right front mounting template
- 5 Left/right back mounting template

3. Secure the front end of the slide rail to the front of the rack with three M6 screws.
4. Secure the back end of the slide rail to the back of the rack with two M6 screws.
5. Tighten the rear bracket M4 screws of the telescopic slide rail.
6. Repeat this procedure with the other telescopic slide rail and brackets.

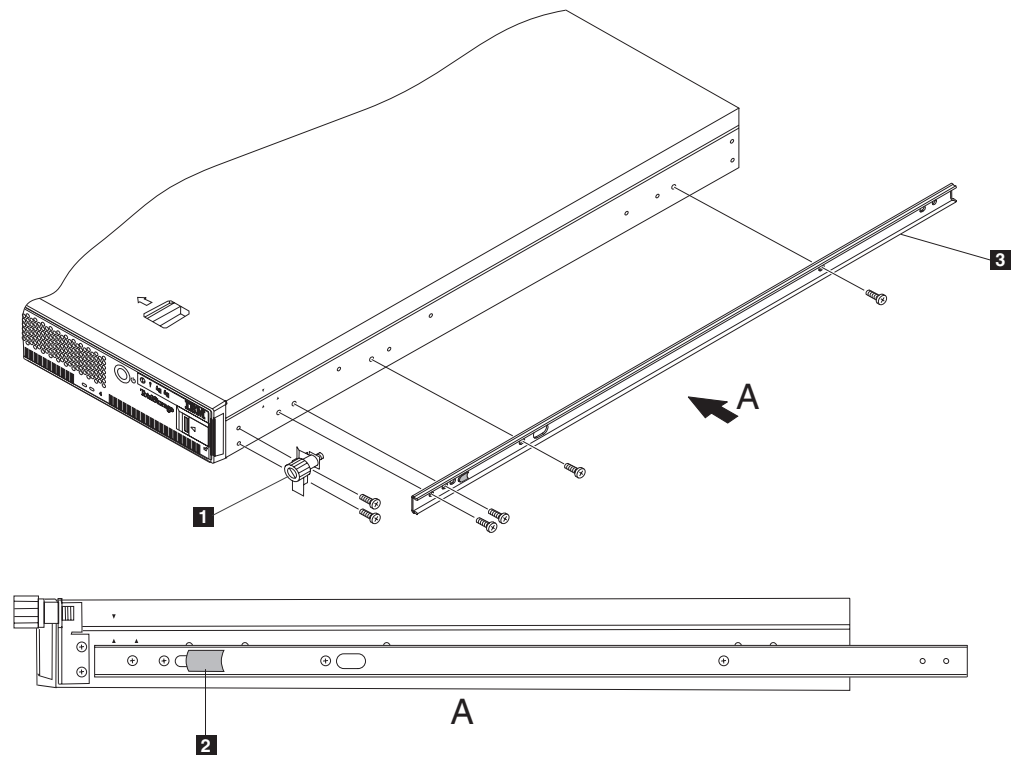
## Attaching the server slide rails and mounting ears

The following procedure explains how to attach the server slide rails and mounting ears to the NAS 100.

1. Using the following figure to orient the server slide rail, align the first screw hole on the front of the server slide rail with the first screw hole on the side of the NAS 100.

**Note:** Make sure that the white spring tab is facing out and is oriented to the front of the NAS 100 as shown in the following figure.

2. Secure the four blue-coated screws.
3. Repeat this procedure with the other server slide rail.
4. Secure the first mounting ear to the side of the NAS 100 with two blue-coated screws.
5. Repeat this procedure with the other mounting ear.



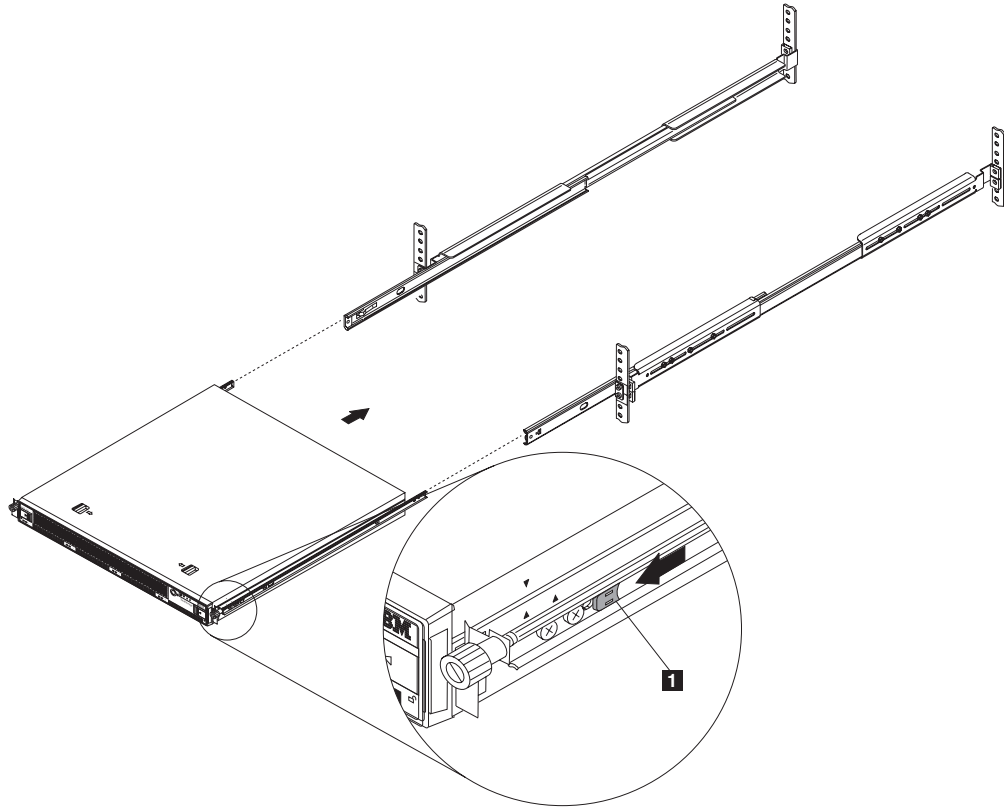
- 1 Mounting ear
- 2 Spring tab
- 3 Server slide rail

---

## Installing the NAS 100 in the rack

The following procedure explains how to install the NAS 100 in the rack.

1. Fully extend the telescopic slide rails out of the rack until they lock.
2. Insert the NAS 100 backwards into the rack so that the server slide rails slide into the main part of the telescopic slide rails.



**1** Spring tab

3. Pull the white spring tabs on the server slide rails to insert the NAS 100 fully into the rack.
4. Push the server firmly into the rack to secure it.
5. Use the mounting ear thumbscrews to attach the NAS 100 to the rack.
6. Refer to the *IBM TotalStorage NAS 100 Hardware Installation and Service Guide*, GA27-4311 to complete the installation of the NAS 100.

**Note:** After you have attached all the cables to the NAS 100, use the cable spiral wrap and cable ties to aid in cable management.

---

## Removing the NAS 100 from the rack

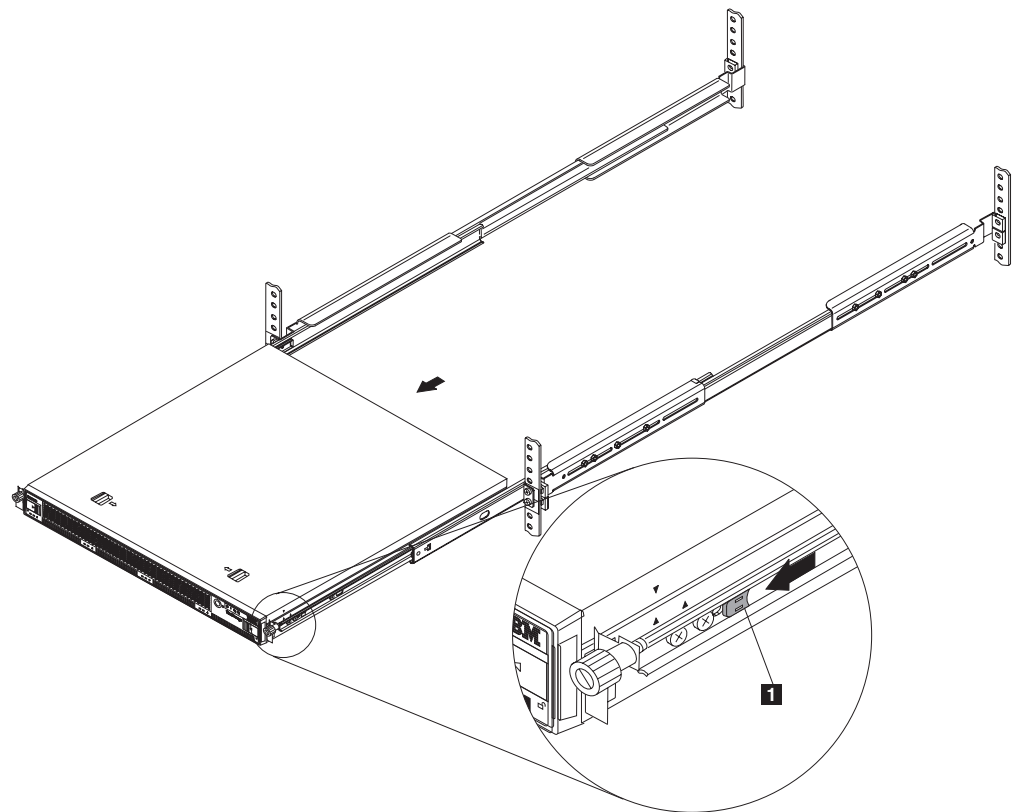
### CAUTION:



1. Power off the NAS 100.
2. Disconnect the power cord and all cables from the NAS 100.

The following procedure explains how to remove the NAS 100 in the rack.

1. Pull the NAS 100 out of the rack until the slide rails lock.



**1** Spring tab

2. Pull the white spring tabs towards the front of the NAS 100 until they release, then ease the NAS 100 out of the rack.
3. If you are replacing the NAS 100, remove the server slide rails and put them in a safe place. You will reinstall them on the new, rack-mounted NAS 100.



---

## Trademarks

The following terms and logo are trademarks of International Business Machines Corporation or Tivoli Systems Inc. in the United States or other countries or both:

IBM  
IBM logo  
TotalStorage

Microsoft, Windows, and Windows NT are trademarks or registered trademarks of Microsoft Corporation.

Java and all Java-based trademarks and logos are trademarks or registered trademarks of Sun Microsystems, Inc. in the United States, other countries, or both.

Other company, product, and service names may be trademarks or service marks of others.









Part Number: 55P4045

Printed in Taiwan

(1P) P/N: 55P4045

