

# **PQ76195 Enhancements Enhancement details**

Document Number PQ76195 Enhancement Details

Formatted: August 28, 2003 1:52 p.m.

Authors: File Manager Change Team



---

# Contents

<b>1.0 PQ76195 Enhancements</b>	5
1.1 Summary of enhancements	5
1.2 Checkpointing and panel flow	6
1.3 Database positioning enhancements	8
1.3.1 Positioning panel Line Commands	9
1.3.2 SELECT ALL Primary Command	9
1.4 VSAVE	10
1.5 UNDO	10
1.6 SCOPE Primary Command	11
1.7 NEXT and PREVIOUS Primary Commands	11
1.7.1 NEXT	11
1.7.2 PREVIOUS	12
1.7.3 Using NEXT/PREVIOUS in Different Display Formats	13
1.7.3.1 TABL Format	13
1.8 Edit/Browse Options	15
<b>Index</b>	16



---

## 1.0 PQ76195 Enhancements

---

### 1.1 Summary of enhancements

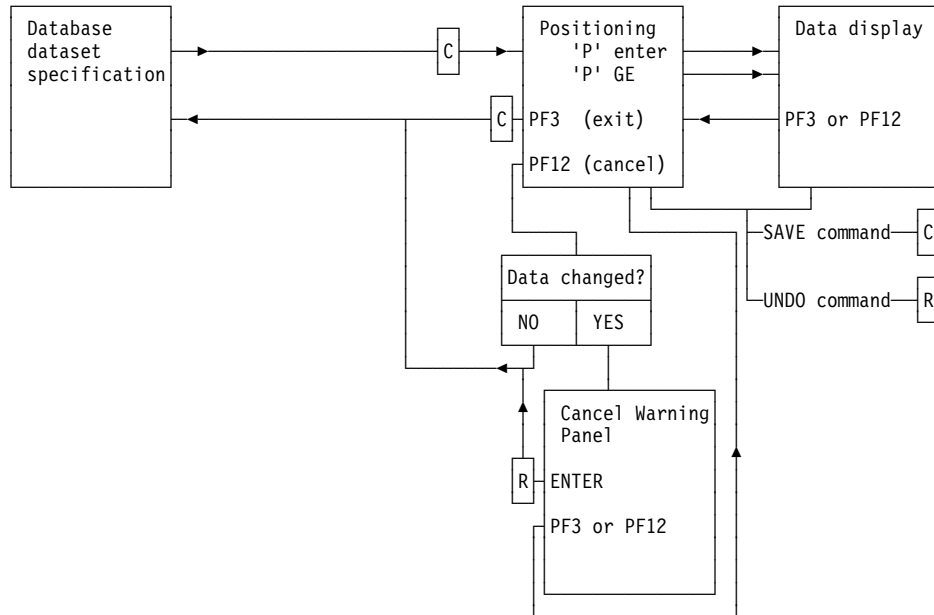
The enhancements provided by this APAR are largely related to behaviour when using a view:

- The database positioning panel now supports all the functions previously provided by the VEDIT command, including segment selection and deselection. Due to this rationalization, and inherent design restrictions after usage from within a edit/browse session, the VEDIT command is withdrawn.
- The Edit: View Specification panel no longer contains a 'Edit view before use' option, but now contains a 'Save view on return' option.
- A new primary command (VSAVE) has been added to allow saving of a temporary view at any point during the session.
- A new primary command (UNDO) has been added to allow uncheckpointed changes to be backed out without leaving the browse or edit session.
- A new primary command (SCOPE) has been added to provide a mode of operation for browse and edit sessions where only segments from one database record at a time are operated upon. This option is set in the user profile, via the browse/edit options panel. See 1.8, "Edit/Browse Options" on page 15
- A display of the current SCOPE setting has been added to the browse/edit panels.
- A CHKP call has been introduced when exiting the database positioning panel, to provide a consistent point of commitment of changes. (When checkpointing is applicable).
- A synonym for the RECOVERY command, called AUTOSAVE has been added and the setting has been added to the browse/edit options panel such that it will be stored in the users profile. See 1.8, "Edit/Browse Options" on page 15
- A modification has been made to the NEXT and PREVIOUS command syntax in response to customer feedback.
- A number of updates to help panels that are incorrect or incomplete.

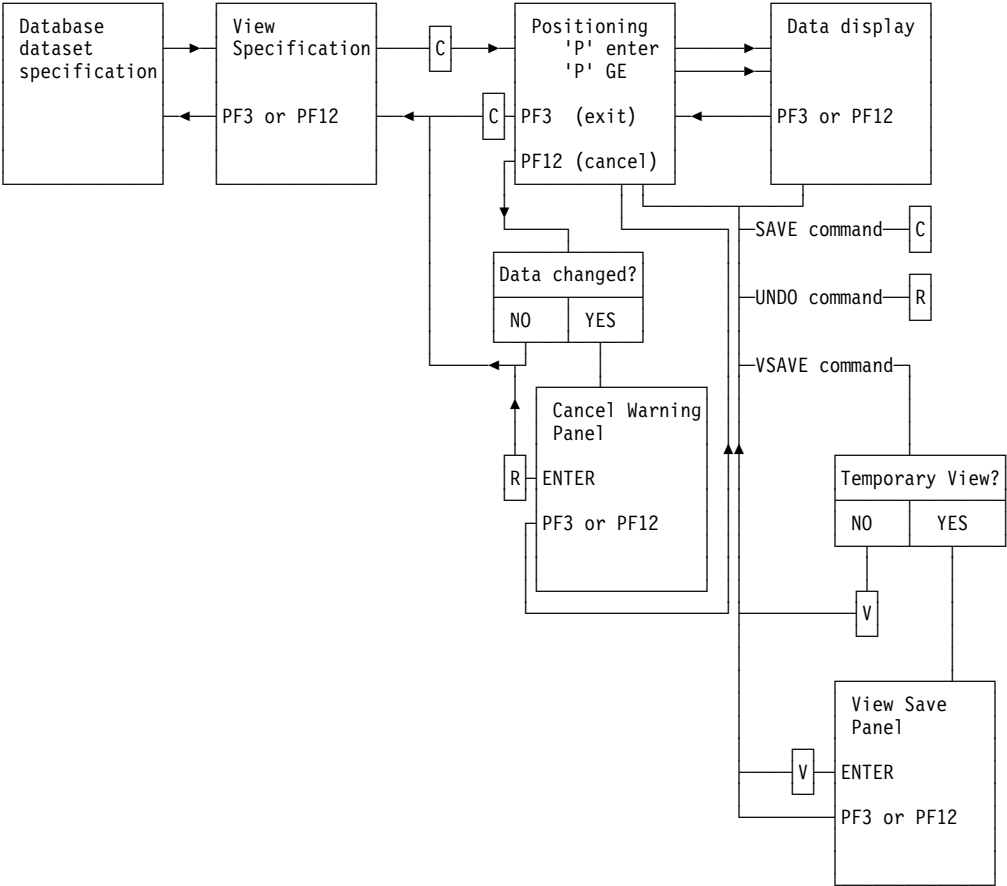
## 1.2 Checkpointing and panel flow

The panel flow and commit points are illustrated in the following:

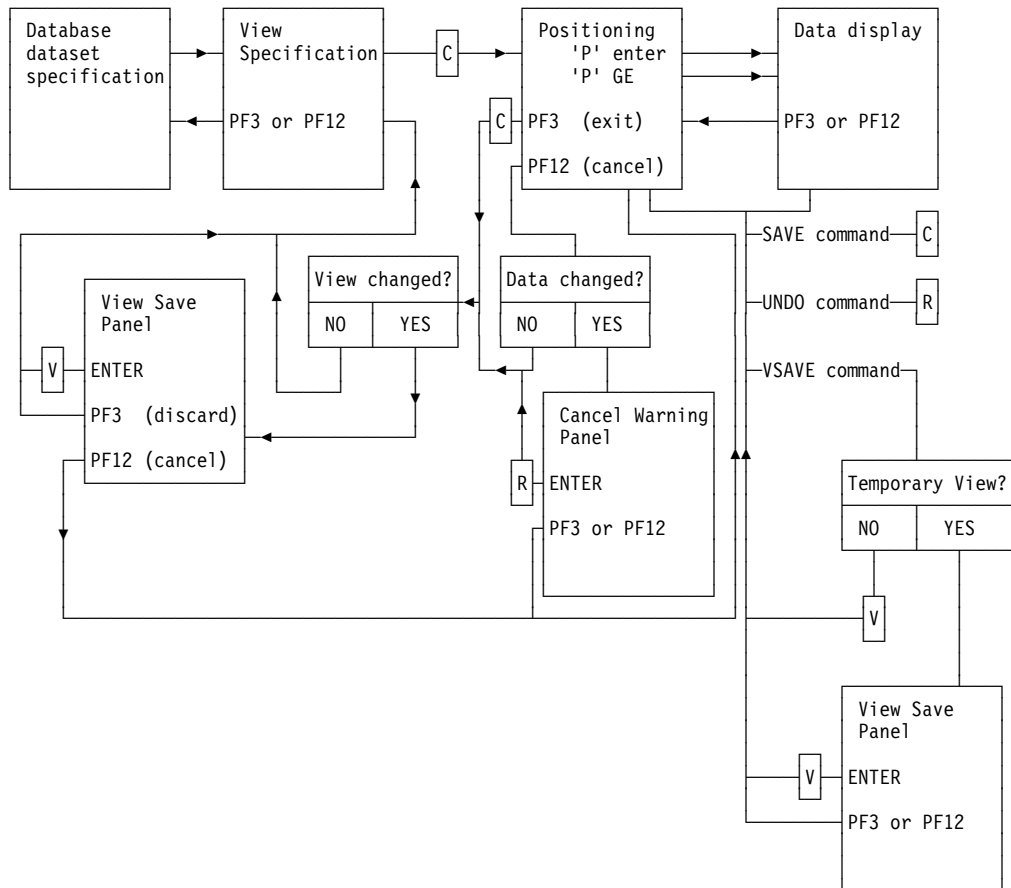
1) When not using a view:



2) When using a view and 'Save view on return' is not selected on view specification panel:



3) When using a view and 'Save view on return' is selected on view specification panel:



- V Represents point at which a view is saved.
- C Represents point at which a checkpoint is issued.
- R Represents point at which a rollback is issued.

### 1.3 Database positioning enhancements

The functions previously provided by the VEDIT command and associated panels are now merged into the database positioning panel. Line commands from the View: Segment Selection panel are now provided at this point. Because the 'S' line command means position the database, a new line command 'X' is now used for performing segment selection and deselection.

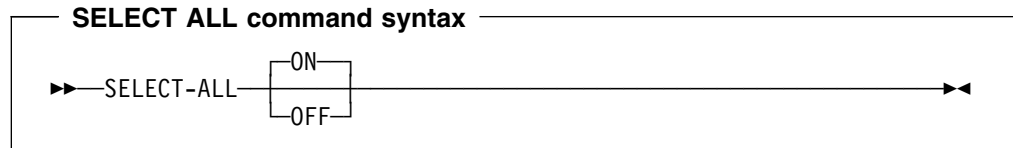


### 1.3.1 Positioning panel Line Commands

- S** Use this segment as the starting point for the edit or browse session.
- Xnn** Select *nn* segments for processing or, if any of these segments are already selected for processing, deselect them.
- X\*** Select all segments from the current segment to the end of the list or, if any of these segments are already selected for processing, deselect them.
- XX** Select a block of segments for processing or, if any of these segments are already selected for processing, deselect them.

### 1.3.2 SELECT ALL Primary Command

A new primary command has been added to ease selecting or deselecting of all segments from the database positioning panel.



#### ON

Selects all segments for processing.

#### OFF

Deselects all segments for processing.

The following examples show a way of selecting just one segment, by using the 'SELECT ALL OFF' command and the 'X' line command. At least one segment must be selected in order for the edit/browse session to proceed.

```

Process  Options  Help
-----
FM/IMS          Edit : Database Positioning  CHKPT FM000001 written
Command ==>> select all off _____ Scroll CSR

Database DJ1G          Key sequence  Format TABL
View      Temporary
Cmd  SXE  Level  Segment  Description  Key  Key value
---  ---  ---  ---  ---  ---  ---
X    X   1     SHIRE    20           0
X    X   2     SHIRENP  18           .....
X    X   3     SHRLSUB  28           .....
X    X   3     SUBLSTR  4           ....
**** End of data ****

F1=Help      F2=Split    F3=Exit     F4=CRetriev F5=Key >=  F7=Backward
F8=Forward   F9=Swap     F10=Actions F12=Cancel

```

```

Process  Options  Help
-----
FM/IMS          Edit : Database Positioning      No segments selected
Command =====> _____ Scroll CSR

Database DJ1G
View C Temporary
Cmd SXE Level Segment Description Key len Key value
x_ 1 SHIRE 20 _____
___ 2 SHIRENP 0 _____
___ 2 SHRLSUB 18 .....
___ 3 SUBLSTR 28 .....
___ 3 LETRBOX 4 ....
**** End of data ****

F1=Help      F2=Split    F3=Exit     F4=CRetriev F5=Key >=  F7=Backward
F8=Forward   F9=Swap     F10=Actions F12=Cancel

```

```

Process  Options  Help
-----
FM/IMS          Edit : Database Positioning      Scroll CSR

Database DJ1G
View C Temporary
Cmd SXE Level Segment Description Key len Key value
X 1 SHIRE 20 _____
___ 2 SHIRENP 0 _____
___ 2 SHRLSUB 18 .....
___ 3 SUBLSTR 28 .....
___ 3 LETRBOX 4 ....
**** End of data ****

F1=Help      F2=Split    F3=Exit     F4=CRetriev F5=Key >=  F7=Backward
F8=Forward   F9=Swap     F10=Actions F12=Cancel

```

## 1.4 VSAVE

A new command has been added to save the current view.

```

VSAVE command syntax
▶▶—VSAVE—▶▶

```

The VSAVE command may be issued from the database positioning panel or from the data display panels. If this is a new view, a popup panel will be displayed to prompt for the dataset and member to save the current view into, otherwise the existing view dataset and member is used.

## 1.5 UNDO

A new command has been added to roll back changes since the last checkpoint.

```

UNDO command syntax
▶▶—UNDO—▶▶

```

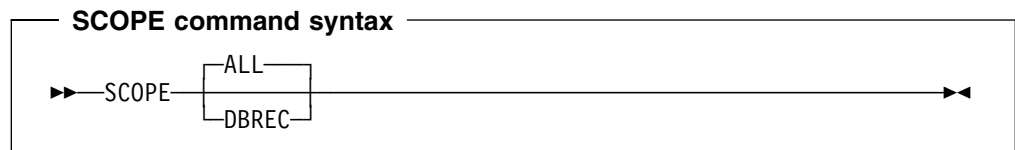
This command issues the IMS 'ROLB' call. It is available only when

- In BMP mode **OR**
- In DLI mode, when the following are true:
  - An IO PCB is being used
  - IMS option BACKOUT is ON
  - IMS option LOG is KEEP or DELETE

If the above conditions are not met, an appropriate error message will be issued.

## 1.6 SCOPE Primary Command

A new SCOPE primary command will be provided allowing the user to change the scope of command operation and segment retrieval to either within the current database record or (as currently) across all database records.



### ALL

Allow operation across all database records.

### DBREC

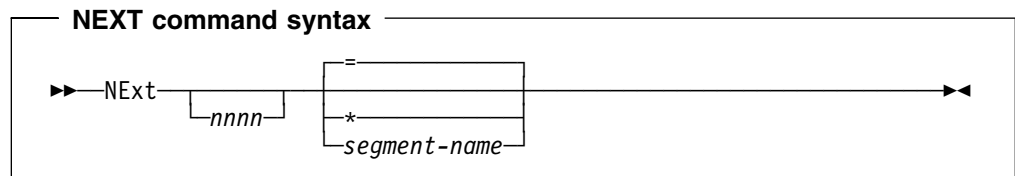
Limit operations and segment retrieval to within a database record. The command NEXT may still cross database records when this option is active, but a popup panel will be displayed to confirm that the database record should be crossed. When issuing a SCOPE DBREC, note that any segments prior to the current segment that do not belong to the same database record as the current segment are discarded.

Also see 1.8, “Edit/Browse Options” on page 15

## 1.7 NEXT and PREVIOUS Primary Commands

### 1.7.1 NEXT

The NEXT primary command uses the parameters supplied to scroll the current database position to the next occurrence of a segment type.



*nnnn*

Move forward *nnnn* segment occurrences. The default for *nnnn* is 1.

= Behavior depends on the current SHOW command settings.

If the current settings are **SHOW SUP OFF**, scrolls forward to the *nnnrth* occurrence of the same segment and layout type from the current database position ( ie. the currently formatted segment type).

If the current settings are **SHOW SUP ON**, scrolls forward to the *nnnrth* occurrence of the same segment as the segment at the current database position irrespective of their layout type.

**Notes:**

1. = is the default unless the option:  
**"Use \* (any segment type) as default on NEXT and PREVIOUS commands"**  
on the Edit/Browse Options panel (see 1.8, "Edit/Browse Options" on page 15).
- \* Ignore the current SHOW command settings and move forward *nnnr* segment occurrences irrespective of segment type.  
**Note:** This can be made the default behavior by selecting:  
**"Use \* (any segment type) as default on NEXT and PREVIOUS commands"**  
on the Edit/Browse Options panel (see 1.8, "Edit/Browse Options" on page 15).

*segment-name*

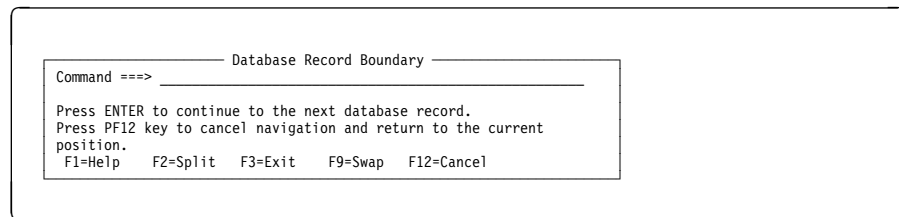
Move forward to the *nnnrth* occurrence of segment type *segment-name* from the current database position.

**Notes:**

1. If the specified segment occurrence is not found the current database position is unchanged and the following message is displayed:

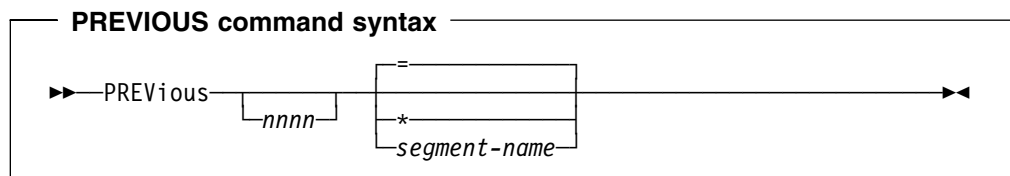
**End of Data**

2. Issuing a NEXT command may in some cases cause the top of the sliding window to move down (towards the bottom of the database).
3. When SCOPE is set to DBREC, the NEXT command may result in the following panel being displayed



## 1.7.2 PREVIOUS

The PREVIOUS primary command uses the parameters supplied to move the current database position to the previous occurrence of a segment type.



*nnnn*

Move back *nnnn* segment occurrences. The default for *nnnn* is 1.

= Behavior depends on the current SHOW command settings.

If the current setting is **SHOW SUP OFF**, scrolls back to the *nnnn*th occurrence of the same segment and layout type from the current database position ( ie. the currently formatted segment type).

If the current settings are **SHOW SUP ON**, scrolls forward to the *nnnn*th occurrence of the same segment as the segment at the current database position irrespective of their layout type.

**Notes:**

1. = is the default unless the option:

**"Use \* (any segment type) as default on NEXT and PREVIOUS commands"**

is selected on the Edit/Browse Options panel (see 1.8, "Edit/Browse Options" on page 15).

\* Ignore the current SHOW command settings and scroll back *nnnn* segment occurrences irrespective of segment type.

**Note:** This can be made the default behavior by selecting:

**"Use \* (any segment type) as default on NEXT and PREVIOUS commands"** on the Edit/Browse Options panel (see 1.8, "Edit/Browse Options" on page 15).

*segment-name*

Scroll back to the *nnnn*th occurrence of segment type *segment-name* from the current database position.

**Notes:**

1. If the specified segment occurrence is not found the current database position is unchanged.

2. If a sliding window has been used for the edit/browse display, the current top of the window is the limit to which the PREVIOUS command can move the database position.

## 1.7.3 Using NEXT/PREVIOUS in Different Display Formats

The following section provides examples showing the effect of using the NEXT and PREVIOUS primary commands in TABL format.

### 1.7.3.1 TABL Format

The following screens show the effect of the NEXT primary command when using a TABL formatted display. These examples are using the IVP database DJ1G with a dynamic psb in DLI mode.

```

Process  Options  Help
-----
FM/IMS                                     Edit : IMS Database DJ1G
Command ==>>>

```

Cmd	Level	Segment	SHIRE-NAME	SHIRE-TYPE	SHIRE-CODE1	SHIRE-CODE2	Format	TABL
			#3	#4	#5	#6		
			AN 1:20	AN 21:1	ZD 22:3	ZD 25:5		
			<-----1----->			<-->	<---->	
			**** Top of window ****					
---	1	SHIRE	BROOME	1			410	111
---	2	SHIRENP	1 segment					
---	2	SHRLSUB	Key=BROOME					
---	3	SUBLSTR	233 segments					
---	2	SHRLSUB	Key=BROOME SHIRE					
---	3	SUBLSTR	3 segments					
			**** End of database record ****					

```

F1=Help      F2=Format    F3=Exit      F4=CRetriev  F5=RFind     F6=RChange
F7=Up        F8=Down      F9=Swap      F10=Left     F11=Right    F12=Cancel

```

Entering the command **next 2 shrlsub** results in:

```

Process  Options  Help
-----
FM/IMS                                     Edit : IMS Database DJ1G
Command ==>>>

```

Cmd	Level	Segment	SHIRE-SUB-KEY	SUBURB-NAME	POST-CODE	SUBURB-TYP	Format	TABL
			#2	#3	#4	#5		
			AN 1:18	AN 19:18	ZD 37:4	AN 41:1		
			<-----1----->		<-----1----->		<-->	-
=LG	2	SHRLSUB	BROOME SHIRE					
---	3	SUBLSTR	3 segments					
			**** End of database record ****					

```

F1=Help      F2=Format    F3=Exit      F4=CRetriev  F5=RFind     F6=RChange
F7=Up        F8=Down      F9=Swap      F10=Left     F11=Right    F12=Cancel

```

Entering the command **next shire** results in:

```

Process  Options  Help
-----
F
C
Command ==>>> Database Record Boundary
R
BL
YP
Press ENTER to continue to the next database record.
Press PF12 key to cancel navigation and return to the current
position.
F1=Help      F2=Split    F3=Exit      F9=Swap      F12=Cancel
=
---
 3 | SUBLSTR | 3 segments | | | | | ||  |  |  | **** End of database record **** | | | | | |


```

F1=Help      F2=Format    F3=Exit      F4=CRetriev  F5=RFind     F6=RChange
F7=Up        F8=Down      F9=Swap      F10=Left     F11=Right    F12=Cancel

```


```

Pressing enter will then show:

```

Process  Options  Help
-----
FM/IMS          Edit : IMS Database DJ1G
Command ==>>>

      SHOW SUP OFF Scope DBREC      Scroll CSR
      SHIRE-TYPE SHIRE-CODE1 SHIRE-CODE2
      Format TABL
Cmd Level Segment SHIRE-NAME #3 #4 #5 #6
      AN 1:20 AN 21:1 ZD 22:3 ZD 25:5
      <---+---+1---+---> - <--> <---+>
___ 1 SHIRE DENMARK 1 610 211
___ 2 SHIRENP 1 segment
___ 2 SHRLSUB Key=BOW BRIDGE
___ 3 SUBLSTR 7 segments
___ 2 SHRLSUB Key=DENMARK
___ 3 SUBLSTR 254 segments
___ 2 SHRLSUB Key=DENMARK SHIRE
___ 3 SUBLSTR 73 segments
___ 2 SHRLSUB Key=GOLDEN HILL
___ 3 SUBLSTR 2 segments
___ 2 SHRLSUB Key=HAZELVALE
___ 3 SUBLSTR 5 segments
___ 2 SHRLSUB Key=KENT RIVER
F1=Help F2=Format F3=Exit F4=CRetriev F5=RFind F6=RChange
F7=Up F8=Down F9=Swap F10=Left F11=Right F12=Cancel

```

## 1.8 Edit/Browse Options

A new option has been added to the Edit/Browse Options panel allowing the user to configure the default setting for the SCOPE on entry to File Manager IMS. The following screen shows the new option.

```

Process  Options  Help
-----
FM/IMS          Edit/Browse Options
Command ==>>>

  Translate data in data area to uppercase on input
  / Show field reference number of SNGL display
  / Show field type and length values on SNGL display
  Use * (any segment type) as default on NEXT and PREVIOUS commands
  / Set SHOW SUP ON, exposing suppressed groups as default
  / Set SCOPE DBREC, limiting segments to within a database record
  Set AUTOSAVE ON, issuing a SAVE after checkpoint frequency in options 0.8

F1=Help F2=Split F3=Exit F4=CRetriev F7=Backward F8=Forward
F9=Swap F10=Actions F12=Cancel

```

The new option  
**"Set SCOPE DBREC, limiting segments to within a database record"**  
allows the user to set the default scope of operation for the retrieval of segments.

---

## Index

### B

Browse Options 15  
Browse Primary Commands  
CHILD  
LOCATE  
examples 13—15  
NEXT 11—12  
examples 13—15  
PREVIOUS 12—13  
examples 13—15

### C

Child command

### D

Database Positioning  
examples

### E

Edit Line Commands  
examples  
Edit Options 15  
Edit Primary Commands  
LOCATE  
examples  
NEXT 11—12  
examples 13—15  
PREVIOUS 12—13  
examples 13—15  
SHOW  
examples  
VEDIT  
XKEYS

### F

Format line commands  
Format primary command

### K

Key command

### M

Marketing Field Requirements  
MR0826024450  
MR1121022759  
MR120202328  
MR1202025135

Marketing Field Requirements (*continued*)

MR120302172  
MR1203024817

### S

Segment selection 9  
Show Command support  
suppressed lines

### V

View: Segment Selection 9