

Telelogic
Statemate®
Standard Template



IBM®

Statemate®

Standard Template



Before using the information in this manual, be sure to read the “Notices” section of the Help or the PDF file available from **Help > List of Books**.

This edition applies to Telelogic Statemate 4.5 and to all subsequent releases and modifications until otherwise indicated in new editions.

© Copyright IBM Corporation 1997, 2008.

US Government Users Restricted Rights—Use, duplication or disclosure restricted by GSA ADP Schedule Contract with IBM Corp.

Contents

Standard Template	1
Graphic Format	1
Long Descriptions	1
Document Structure	1
Template Parameters	2
Generating Segments	4
Exporting the Document	4
Sample Output	5
TABLE OF CONTENTS	5
1. REAR DEFOG SS	7
Overview	7
1.1 REAR DEFOG SS	10
1.2 SPEED SENSOR	10
1.3 LOAD MONITOR	10
1.4 REAR DEFOG OUTPUT FCTS	10
1.5 REAR DEFOG FEATURES	11
2. Properties	21
2.1 Actions	21
2.2 Conditions	21
2.3 Simple Data-items	22
2.4 Events	23
2.5 Enumerated User Defined Types	24
3. Tree Report	24
4. Use Case Diagrams	25
4.1 REAR_DEFOG_UCD	25

5. Sequence Diagrams	26
5.1 REAR_DEFOG_2HI_SPEED_2LOAD1	26
5.2 REAR_DEFOG_LO_SPEED_NO_LOAD	29
5.3 Truth Tables	30
6.Change Log	30

Standard Template

The standard template provided with the Statemate Documentor generates a Rich Text Format (RTF) report and RTF plots. This template can be used as-is or modified as described in the Documentor Reference Manual.

Graphic Format

Select the appropriate RTF output for the Microsoft® Word format.

Long Descriptions

Activity charts and statecharts are included with long descriptions. To have an external file used in place of a long description, create an attribute called `LINK FILE` for the element, and enter the filename followed by a return on the first line of the long description. The external file must be in the same directory as the exported (for example, generated) .RTF file to be included when the document is read into Word.

Document Structure

The template operates on an activity chart and descendant charts. It includes a cover page (most of the parameters allow you to set items to print on the cover), an applicable documents section, and an overview section. Following the charts is a set of properties tables, a tree report, and a modification log.

Template Parameters

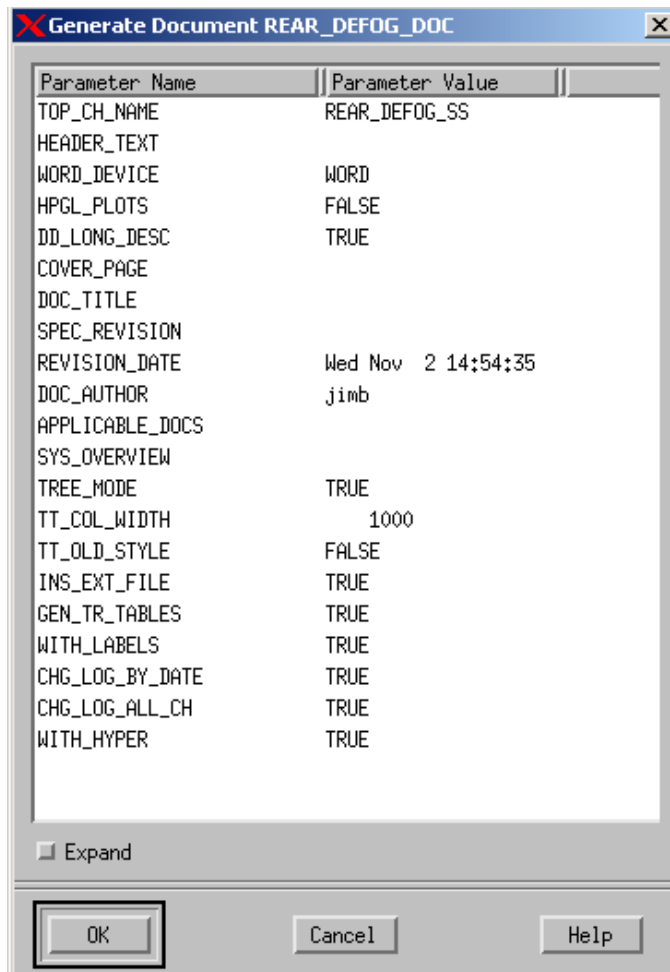
The template has 21 parameters. These are summarized in the following table and shown in the following figure.

Note

If desired, the default parameter values can be edited in the documentor template.

Parameter	Description
TOP_CH_NAME	Must be assigned the value of the name of the top-level Activity Chart to document (the name should be entered in caps just as it appears in the Workarea).
HEADER_TEXT	Must be assigned the value of the text to appear in the top left of the generated document header. Note that this value is case sensitive.
WORD_DEVICE	Must be set to the name of the output device to use in generating the plots for the output document (the device name must be in caps). Use a device of format Word for RTF plots.
DD_LONG_DESC	Must be set to TRUE to output the Long Description in the properties tables included in the document – a value of FALSE outputs the Description (also known as the Short Description) in the properties tables.
COVER_PAGE	Can be set to a filename to use as the cover page of the document. Leaving this parameter blank causes the following four parameters to be used in creation of the cover page:
DOC_TITLE	Set to the document title to use on the cover page
SPEC_REVISION	Set to the document revision number used on the cover page
REVISION_DATE	Set to the date used on the cover page
DOC_AUTHOR	Set to the author's name that appears on the cover page
APPLICABLE_DOCS	Can be set to the name of a file that will be imported into the Applicable Documents section.
SYS_OVERVIEW	Can be set to a the name of a file that will be imported into the System Overview section.
TREE_MODE	Must be set to TRUE to order the document following the hierarchical structure of the model – a value of FALSE alphabetically documents the Activity Charts followed by the Statecharts.
TT_COL_WIDTH	Plot truth-table column width in RTF format.
TT_OLD_STYLE	Plot truth-tables in ASCII table format.
INS_EXT_FILE	An external file can be inserted to the document or can be linked using an "hyperlink". When this parameter is set to TRUE the files will be inserted, otherwise linked using an "hyperlink"

Parameter	Description
GEN_TR_TABLES	When this parameter is set to <code>TRUE</code> , the Transitions Table for Statecharts will be generated into the document
WITH_LABELS	Plot charts with or without labels.
CH_LOG_BY_DATA	Plot the Track Change description by chart.
CH_LOG_ALL_CH	Plot the Track Change description for all charts in the workarea. if this parameter is set to <code>TRUE</code> , the change log is for all the charts in the Workarea, if set to <code>FALSE</code> , the change log is only for the charts in the Document scope.
WITH_HYPER	Insert hyperlinks and bookmarks.



Generating Segments

Refer to the *Documentor Reference Manual* for information on generating segments.

Exporting the Document

After generating the document, you must export it to a file with a .rtf extension. Make sure the Word template file (STMM.DOT) is in the same directory as the exported document. You can also place it in the Microsoft area for Word templates. Statemate provides a copy of the STMM.DOT file in the <STM_ROOT>/etc/inc directory.

Note

For the Word macro to work properly, the Hide file extensions for known file types check box on Windows Explorer (**View > Options**) is not checked. Refer to the on-line help for Windows for further information on setting this feature.

Sample Output

A sample generated report is shown on the following pages. Several of the diagrams are shown in the landscape format that the template produces.

Rear Defog

Specification Revision:

Revision Date: Wed November 2 15:08:58 2005

TABLE OF CONTENTS

1. REAR DEFOG SS	11
1.1 REAR DEFOG SS	13
1.2 SPEED SENSOR	14
1.3 LOAD MONITOR	14
1.4 REAR DEFOG OUTPUT FCTS	14
1.5 REAR DEFOG FEATURES	14
1.5.1 REAR DEFOG FEATURES	16
1.5.2 REAR DEFOG RELAY MGMT	16
1.5.2.1 REAR DEFOG RELAY MGMT BHVR (STATECHART)	18
1.5.3 CALC REAR DEFOG STATE	21
1.5.3.1 CALC REAR DEFOG STATE BHVR (STATECHART)	22
2. DATA DICTIONARY	24
2.1 ACTIONS	24

Sample Output

2.2 CONDITIONS	24
2.3 SIMPLE DATA-ITEMS	26
2.4 EVENTS	28
2.5 ENUMERATED USER DEFINED TYPES	28
3. TREE REPORT	29
4. USE CASE DIAGRAMS	30
4.1 REAR_DEFOG_UCD	30
4.1.1 DEFOG REAR WINDOW	30
4.1.2 CUSTOMER INDICATION	31
5. SEQUENCE DIAGRAMS	31
5.1 REAR_DEFOG_2HI_SPEED_2LOAD1	31
5.2 REAR_DEFOG_LO_SPEED_NO_LOAD	34
5.3 TRUTH TABLES	35
5.3.1 TRUTH-TABLE OF ACTION REAR_DEFOG_OUTPUT_TT	35
6. CHANGE LOG	35
APPENDIX	35

1. REAR DEFOG SS

Overview

The Rear Defog Subsystem controls the activation of the rear defog based on the driver request, vehicle speed and load management command (load shed). The subsystem regulates the activation of the grid to provide safe operation under all speed and load shed conditions.

Input/Output Requirements:

Note

Refer to the following figure.

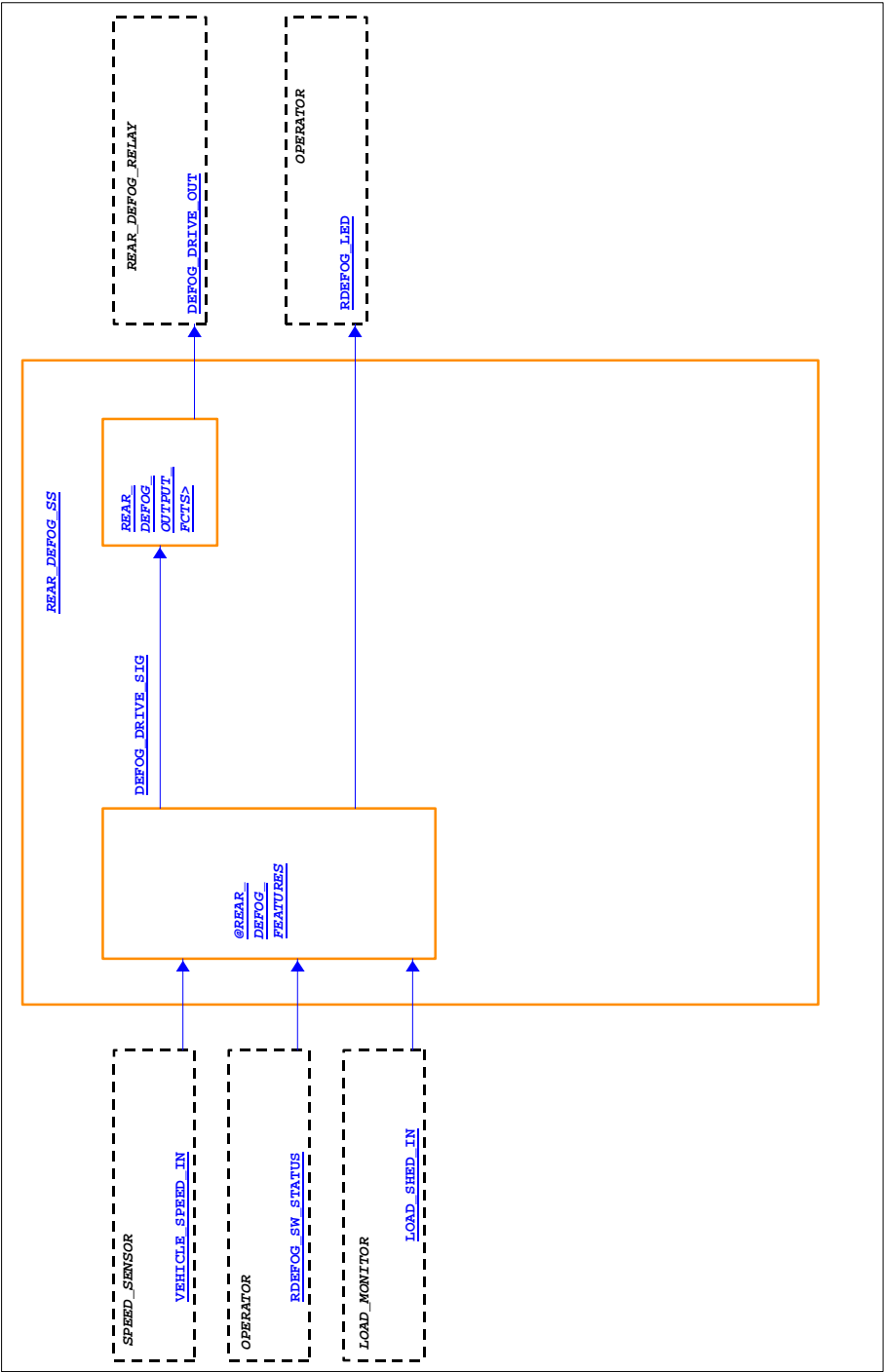
External activities:

LOAD_MONITOR

The Charging Subsystem provides information regarding the battery charge and load on the vehicle charging system.

OPERATOR:

Input/Output Requirements



REAR_DEFOG_RELAY:

SPEED_SENSOR:

The Powertrain Control Subsystem is responsible for providing vehicle speed data to the Rear Defog Control Subsystem.

Design Attributes:

REAR_DEFOG_SS

Execution Order - 1

SPEED_SENSOR

Execution Order - 1

LOAD_MONITOR

Execution Order - 1

REAR_DEFOG_OUTPUT_FCTS

Execution Order - 1

OPERATOR

Execution Order - 1

REAR_DEFOG_RELAY

Execution Order - 1

REAR_DEFOG_FEATURES

Execution Order - 1

1.1 REAR DEFOG SS

Description:

The top level activity for the rear defog control system, which defines the system context.

1.2 SPEED SENSOR

Description:

The Powertrain Control Subsystem is responsible for providing vehicle speed data to the Rear Defog Control Subsystem.

1.3 LOAD MONITOR

Description:

The Charging Subsystem provides information regarding the battery charge and load on the vehicle charging system.

1.4 REAR DEFOG OUTPUT FCTS

Description:

Convert the active high logical rear defog relay command to a low side drive output.

Function:

```
started/  
DEFOG_DRIVE_OUT=0b1;; /* initialize to off */  
ch(DEFOG_DRIVE_SIG)/REAR_DEFOG_OUTPUT_TT;;  
  
/* ch(DEFOG_DRIVE_SIG) /  
   if DEFOG_DRIVE_SIG then  
       DEFOG_DRIVE_OUT=0b0;  
   else  
       DEFOG_DRIVE_OUT=0b1;  
   end if;;  
*/
```

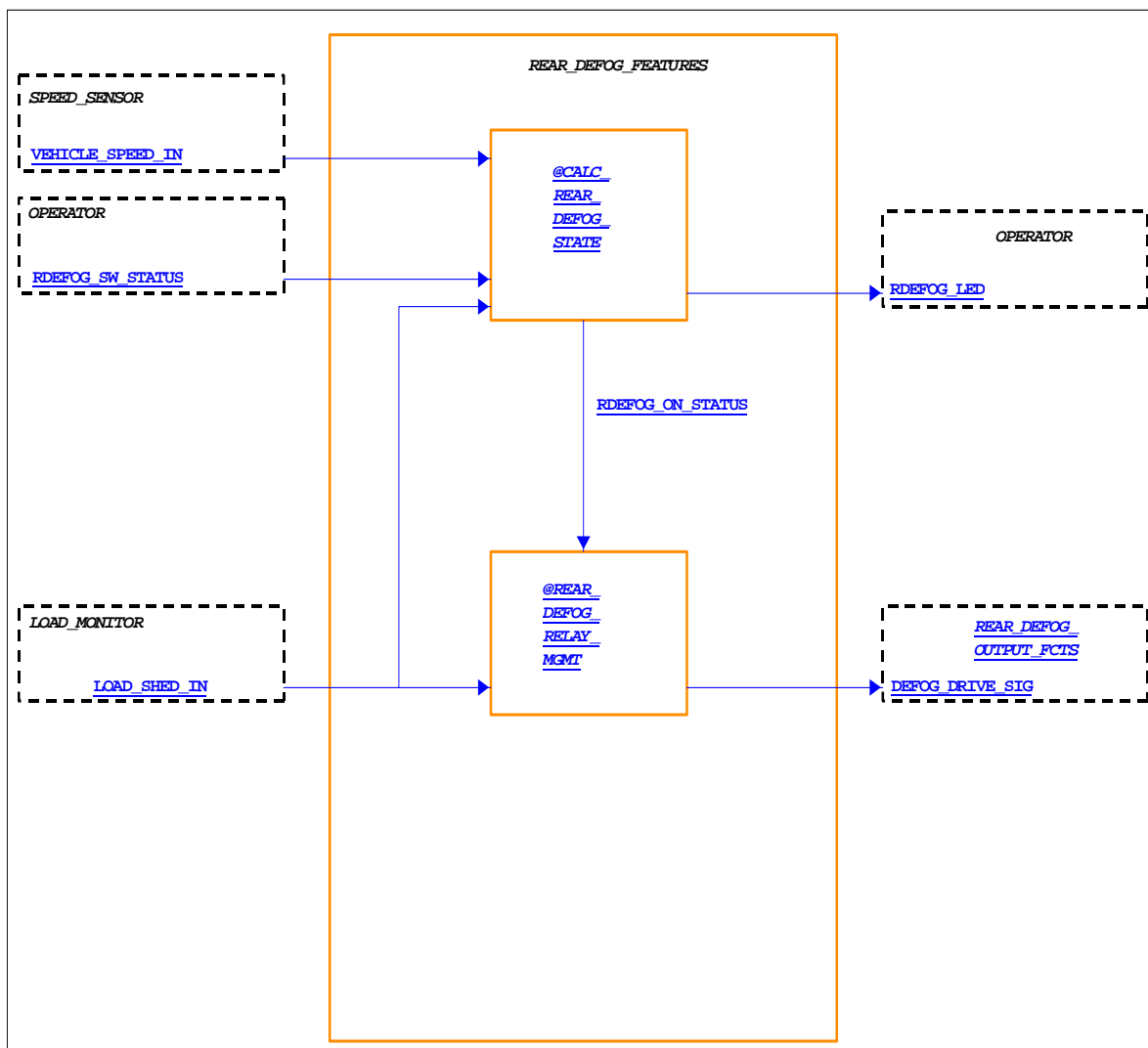

1.5 REAR DEFOG FEATURES

Overview:

The features of the Rear Defog Subsystem are: calculating the rear defog state, and modulation of the relay rear defog relay.

stmmtxt_C:/tmp/rick.txt

Input/Output Requirements:



Design Attributes:

REAR_DEFOG_FEATURES

Execution Order - 1

SPEED_SENSOR

Execution Order - 1

LOAD_MONITOR

Execution Order - 1

REAR_DEFOG_OUTPUT_FCTS

Execution Order - 1

OPERATOR

Execution Order - 1

CALC_REAR_DEFOG_STATE

Execution Order - 1

REAR_DEFOG_RELAY_MGMT

Execution Order - 1

1.5.1 REAR DEFOG FEATURES

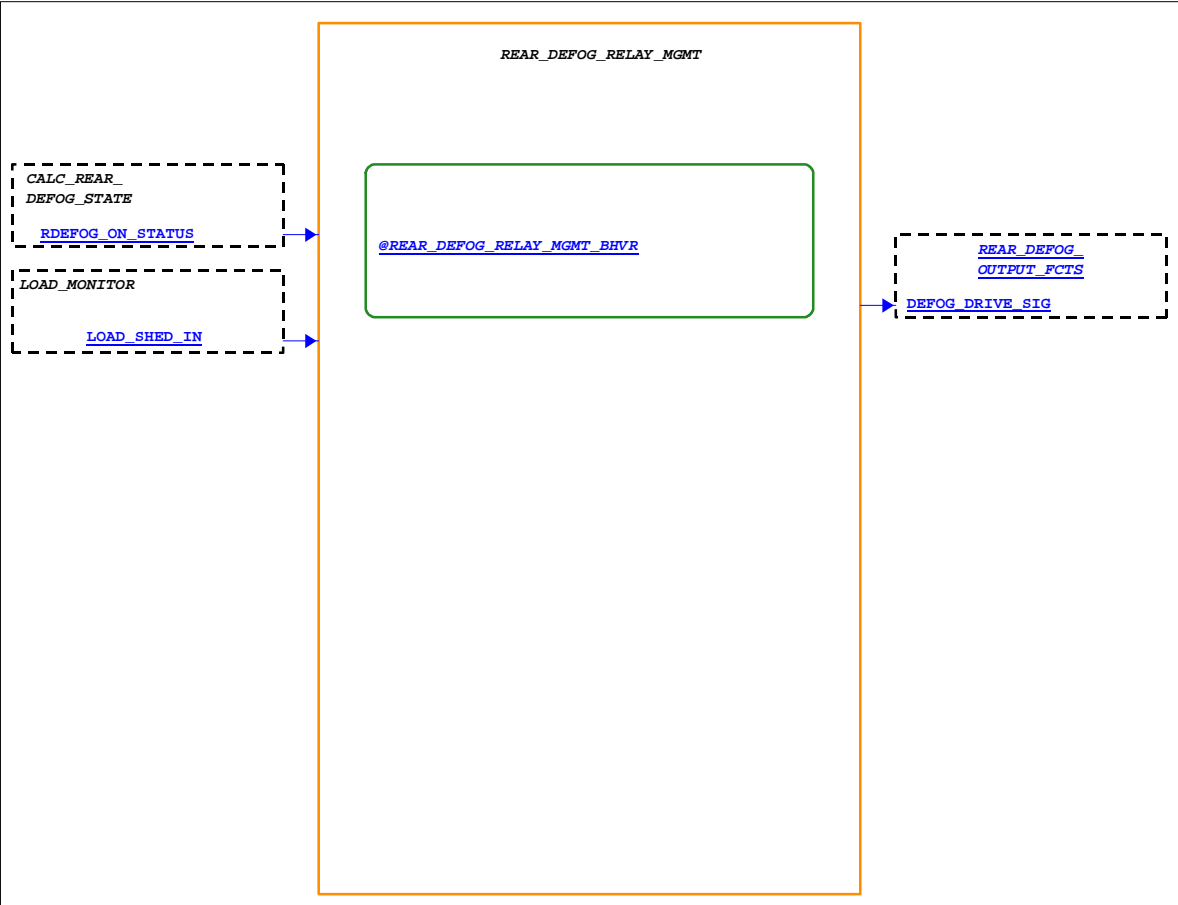
1.5.2 REAR DEFOG RELAY MGMT

Overview:

The rear defog operation can be modified due to load management of the vehicle electrical system.

Input/Output Requirements:

REAR DEFOG RELAY MGM



Design Attributes:

REAR_DEFOG_RELAY_MGMT

Execution Order - 1

LOAD_MONITOR

Execution Order - 1

REAR_DEFOG_OUTPUT_FCTS

Execution Order - 1

CALC_REAR_DEFOG_STATE

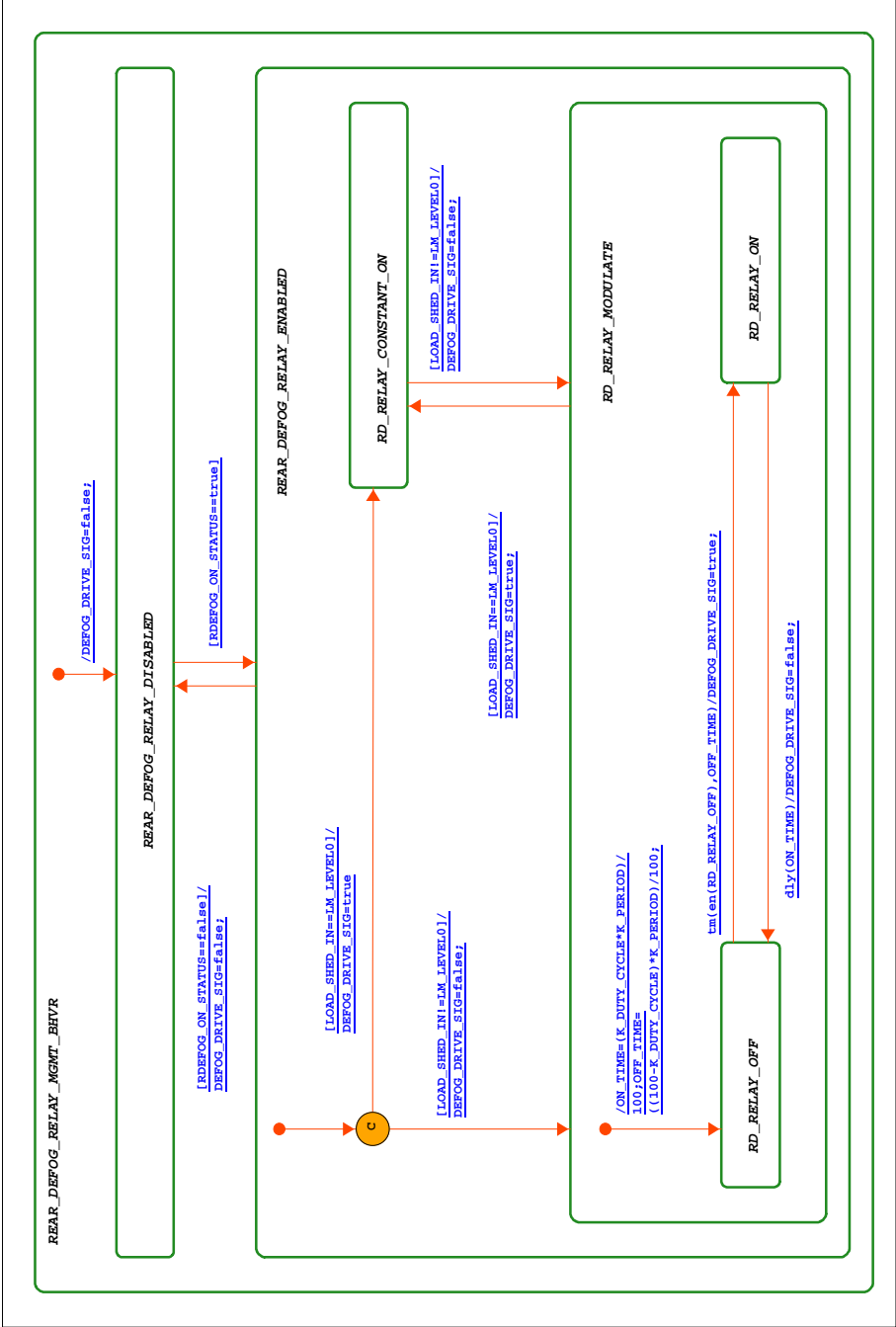
Execution Order - 1

1.5.2.1 REAR DEFOG RELAY MGMT BHVR (Statechart)

Description:

If a load management condition exists (load_shed = 1,2,3) and the rear defog state is true, the output to the relay shall be modified. If load_shed is equal to 1 or 2, the rear defog output shall be modulated at a frequency and duty cycle per calibratable parameters.

Function:



REAR_DEFOG_RELAY_MGMT_BHVR Transition table

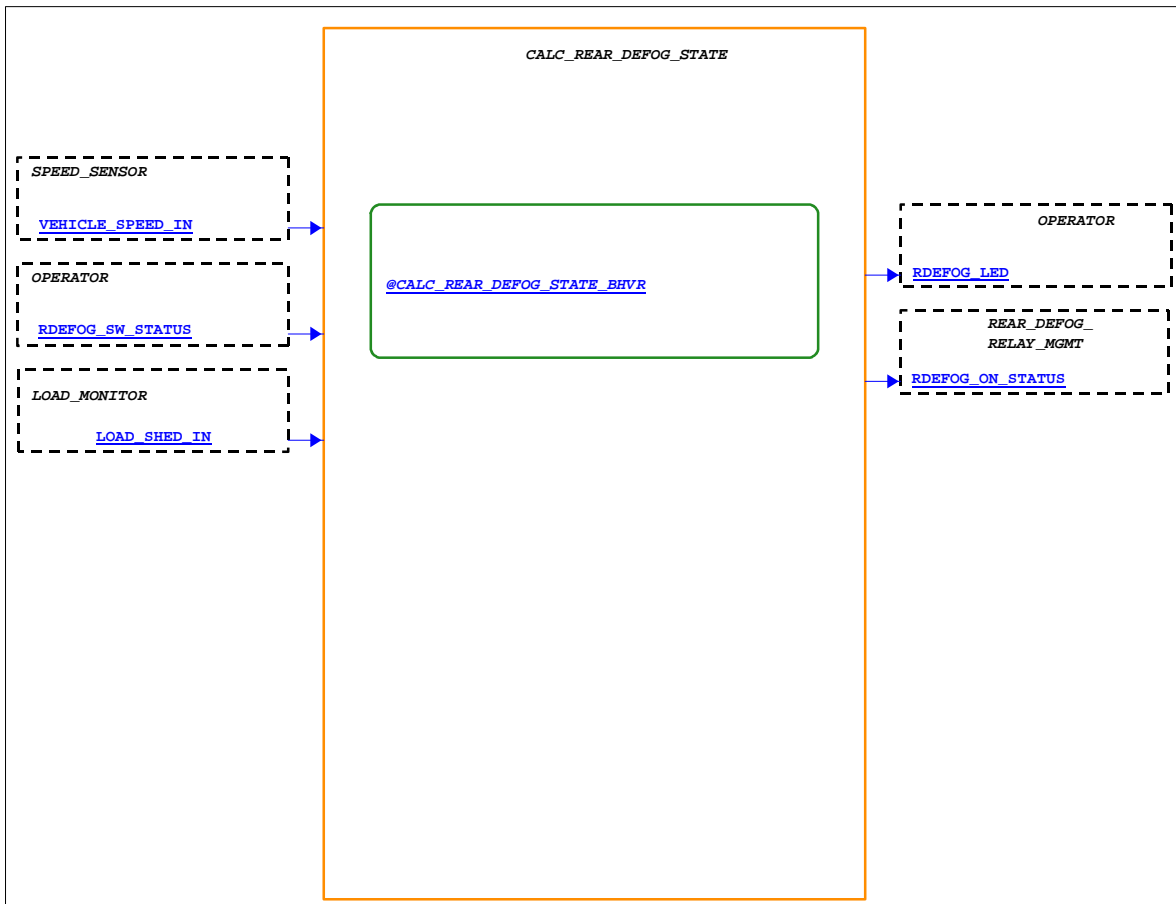
Transition Note	Source	Target	Expression
	Default	RD_RELAY_CONSTANT_ON	[LOAD_SHED_IN==LM_LEVEL0]/ DEFOG_DRIVE_SIG=true
	Default	RD_RELAY_MODULATE	[LOAD_SHED_IN!=LM_LEVEL0]/ DEFOG_DRIVE_SIG=false;
	Default	RD_RELAY_OFF	/ON_TIME=(K_DUTY_CYCLE *K_PERIOD)/ 100;OFF_TIME=((100-K_DUTY_CYCLE)*K_PERIOD)/ 100;
	Default	REAR_DEFOG_RELAY_DISABLED	/DEFOG_DRIVE_SIG=false;
	RD_RELAY_CONSTANT_ON	RD_RELAY_MODULATE	[LOAD_SHED_IN!=LM_LEVEL0]/ DEFOG_DRIVE_SIG=false;
	RD_RELAY_MODULATE	RD_RELAY_CONSTANT_ON	[LOAD_SHED_IN==LM_LEVEL0]/ DEFOG_DRIVE_SIG=true;
	RD_RELAY_OFF	RD_RELAY_ON	tm(en(RD_RELAY_OFF),OFF_TIME)/ DEFOG_DRIVE_SIG=true;
	RD_RELAY_ON	RD_RELAY_OFF	dly(ON_TIME)/ DEFOG_DRIVE_SIG=false;
	REAR_DEFOG_RELAY_DISABLED	REAR_DEFOG_RELAY_ENABLED	[RDEFOG_ON_STATUS==true]
	REAR_DEFOG_RELAY_ENABLED	REAR_DEFOG_RELAY_DISABLED	[RDEFOG_ON_STATUS==false]/ DEFOG_DRIVE_SIG=false;

1.5.3 CALC REAR DEFOG STATE

Overview:

The operator request changes in the rear defog state by setting the rdefog_switch_status (pushing the rear defog switch). Once the rear defog has been activated, it shall automatically time out and turn itself off without any customer interaction. The timing function is modified by the customer interactions as well as vehicle speed and calibratable timer values.

Input/Output Requirements:



Design Attributes:

CALC_REAR_DEFOG_STATE

Execution Order - 1

SPEED_SENSOR

Execution Order - 1

REAR_DEFOG_RELAY_MGMT

Execution Order - 1

LOAD_MONITOR

Execution Order - 1

OPERATOR

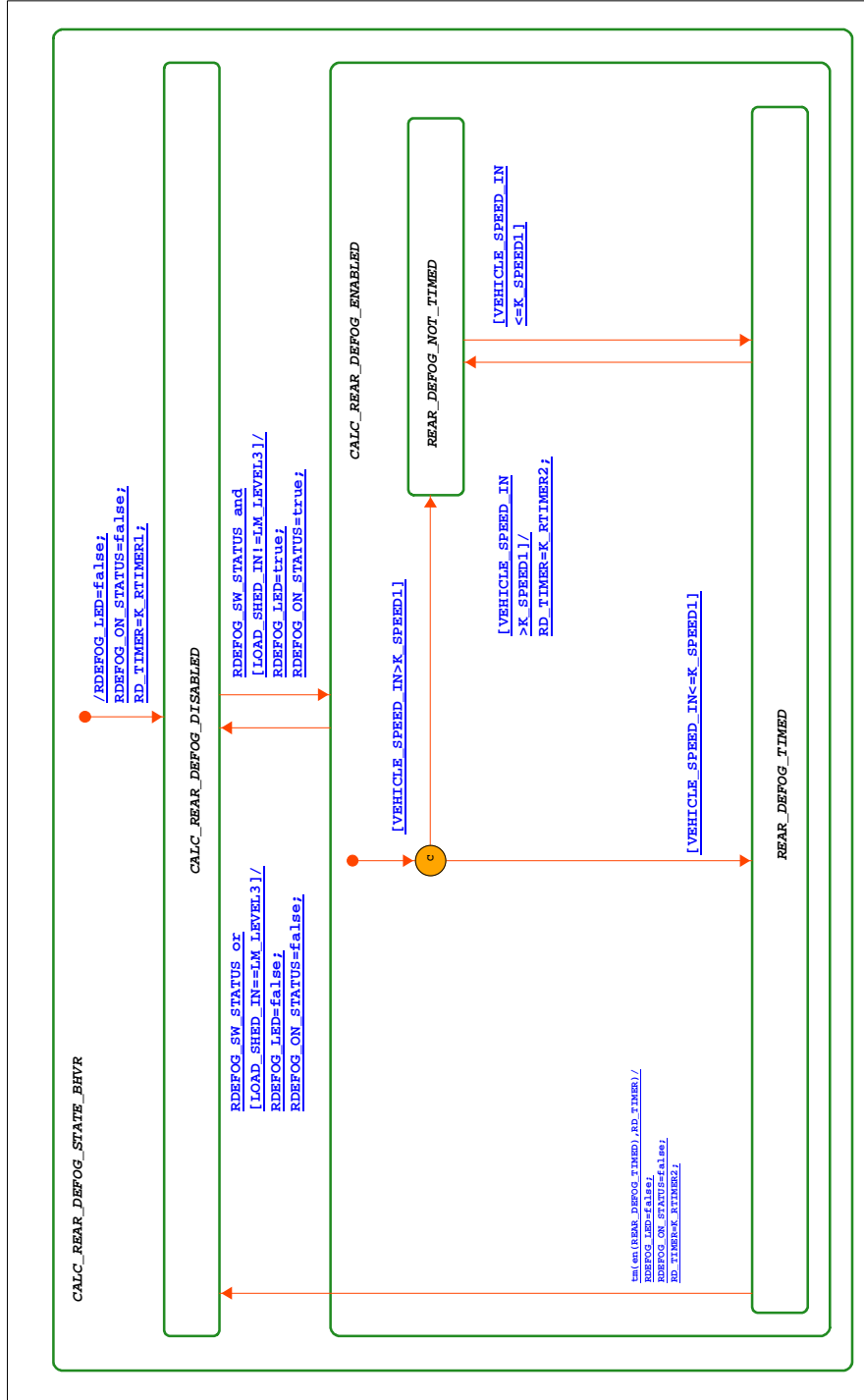
Execution Order - 1

1.5.3.1 CALC REAR DEFOG STATE BHVR (Statechart)

Description:

The rear defog state is changed when the user sets the rdefog_switch_status. Rdefog_lite follows the value of the rear defog state (the indicator is illuminated when the rear defog state is true. Timing of the rear defog shall only occur if the rear defog state is true. If vehicle speed > speed1 the timing function shall be suspended until vehicle speed drops below speed1. If the rdefog_switch_status is set while the rear defog state is true, the rear defog state will be set to false. After either the rd_timer=0 or rdefog_switch_status is set, the rdefog_lite status will change to false and the rd_timer will be set to rtimer2. If load shed = 3, then the rear defog state is set false.

Function:



CALC_REAR_DEFOG_STATE_BHVR Transition Table

Transition Note	Source	Target	Expression
	CALC_REAR_DEFOG_DISABLED	CALC_REAR_DEFOG_ENABLED	RDEFOG_SW_STATUS and [LOAD_SHED_IN!=LM_LEVEL3]/RDEFOG_LED=true; RDEFOG_ON_STATUS=true;
	CALC_REAR_DEFOG_ENABLED	CALC_REAR_DEFOG_DISABLED	RDEFOG_SW_STATUS or [LOAD_SHED_IN==LM_LEVEL3]/RDEFOG_LED=false; RDEFOG_ON_STATUS=false;
	Default	CALC_REAR_DEFOG_DISABLED	RDEFOG_LED=false; RDEFOG_ON_STATUS=false; RD_TIMER=K_RTIMER1;
	Default	REAR_DEFOG_NOT_TIMED	[VEHICLE_SPEED_IN>K_SPEED1]
	Default	REAR_DEFOG_TIMED	[VEHICLE_SPEED_IN<=K_SPEED1]
	REAR_DEFOG_NOT_TIMED	REAR_DEFOG_TIMED	[VEHICLE_SPEED_IN<=K_SPEED1]
	REAR_DEFOG_TIMED	CALC_REAR_DEFOG_DISABLED	tm(en(REAR_DEFOG_TIMED), RD_TIMER)/RDEFOG_LED=false; RDEFOG_ON_STATUS=false; RD_TIMER=K_RTIMER2;
	REAR_DEFOG_TIMED	REAR_DEFOG_NOT_TIMED	[VEHICLE_SPEED_IN>K_SPEED1]/RD_TIMER=K_RTIMER2;

2. Properties

2.1 Actions

Name	Definition	Where Defined
Description		
Design Attributes		
REAR_DEFOG_OUTPUT_TT	See Truth-Table definition in Appendix	REAR_DEFOG_SS
Tbd		
Tbd		

2.2 Conditions

Name	Definition	Structure	Where Defined
Description			
Design Attributes			
DEFOG_DRIVE_SIG	Variable	Single	REAR_DEFOG_SS
<i>Logical output to turn on/off rear defog relay.</i>			
Tbd			
RDEFOG_LED	Variable	Single	REAR_DEFOG_SS
Output from the Rear Defog Subsystem to the HVAC Subsystem to request illumination of the Rear Defog On LED.			
Tbd			
RDEFOG_ON_STATUS	Variable	Single	REAR_DEFOG_FEATURES
Indicates if the rear defog is on or off based on operator requests and vehicle speed and timing constraints.			
Tbd			

2.3 Simple Data-items

Name	Definition/ Variable	Data Type	Structure	Where Defined
Description				
Design Attributes				
DEFOG_DRIVE_OUT	Variable	Bit	Single	REAR_DEFOG_SS
Low side drive output from the Rear Defog Subsystem to the rear defog relay.				
Tbd				
K_DUTY_CYCLE	Variable	Integer 0 - 100	Single	REAR_DEFOG_RE LAY_MGMT_BHVR
Tbd				
Tbd				
K_PERIOD	Variable	Integer 0 - 100	Single	REAR_DEFOG_RE LAY_MGMT_BHV
Tbd				
Tbd				
K_RTIMER1	Variable	Integer 0 - 100	Single	CALC_REAR_ DEFOG_STATE_B HVR
Tbd				
Tbd				
K_RTIMER2	Variable	Integer 5 - 10	Single	CALC_REAR_ DEFOG_STATE_B HVR
Tbd				
Tbd				
K_SPEED1	Variable	Integer 0 - 100	Single	CALC_REAR_ DEFOG_STATE_B HVR
Tbd				
Tbd				
LOAD_SHED_IN	Variable	LOAD_MGMT_ CMD_TYPE	Single	REAR_DEFOG_SS
The load management command input - level 0 for no shed to level 3 for maximum shed.				
Tbd				

Name	Definition/ Variable	Data Type	Structure	Where Defined
OFF_TIME	Variable	Integer 0 - 100	Single	REAR_DEFOG_RE LAY_MGMT_BHVR
Tbd				
Tbd				
ON_TIME	Variable	Integer 0 - 100	Single	REAR_DEFOG_RE LAY_MGMT_BHVR
Tbd				
Tbd				
RD_TIMER	Variable	Integer 0 - 100	Single	CALC_REAR_DEF OG_STATE_BHVR
Tbd				
Tbd				
VEHICLE_SPEED_IN	Variable	Integer 0 - 100	Single	REAR_DEFOG_SS
Tbd				
Tbd				

2.4 Events

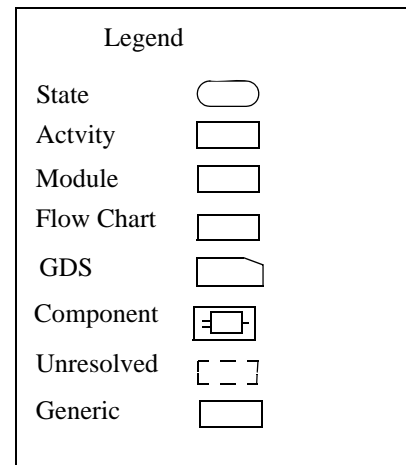
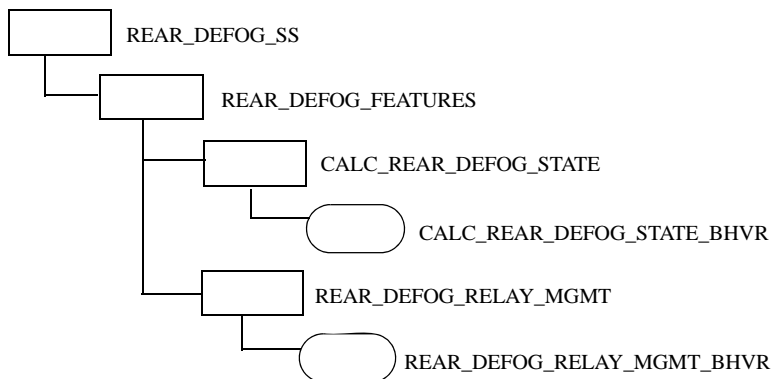
Name	Definition/Variable	Structure	Where Defined
Description			
Design Attributes			
RDEFOG_SW_STATUS	Variable	Single	REAR_DEFOG_SS
Rear Defog Switch Status momentary input.			
Internal Event of default			

2.5 Enumerated User Defined Types

Name	Definition	Where Defined
Description		
Design Attributes		
LOAD_MGMT_CMD_TYPE	{LM_LEVEL0, LM_LEVEL1, LM_LEVEL2, LM_LEVEL3}	REAR_DEFOG_GDS
Tbd		
Tbd		

3. Tree Report

Tree for REAR_DEFOG_SS



4.Use Case Diagrams

4.1 REAR_DEFOG_UCD

4.1.1 DEFOG REAR WINDOW

Description:

The customer may request a change in state of the rear defog control system. Once the system has been activated, it shall automatically time out and turn itself off without any customer interaction. The timing function can be modified by vehicle speed and load management.

DEFOG_REAR_WINDOW Scenario List

Scenario	Pre Conditions	Description	Post Conditions	Sequence Diagrams/ SCH	Attributes
SD1	Low Speed No Load Conditions	Normal Operation of the rear defog system - run complete cycle	Low Speed No Load Conditions	REAR_DEFOG_LO_SPEED_NO_LOAD	
SD2	Low Speed No Load Conditions	Robust Scenario - Change Low to High Speed, and then add Load Condition One	High Speed Load Condition One	REAR_DEFOG_2HI_SPEED_2LOAD1	

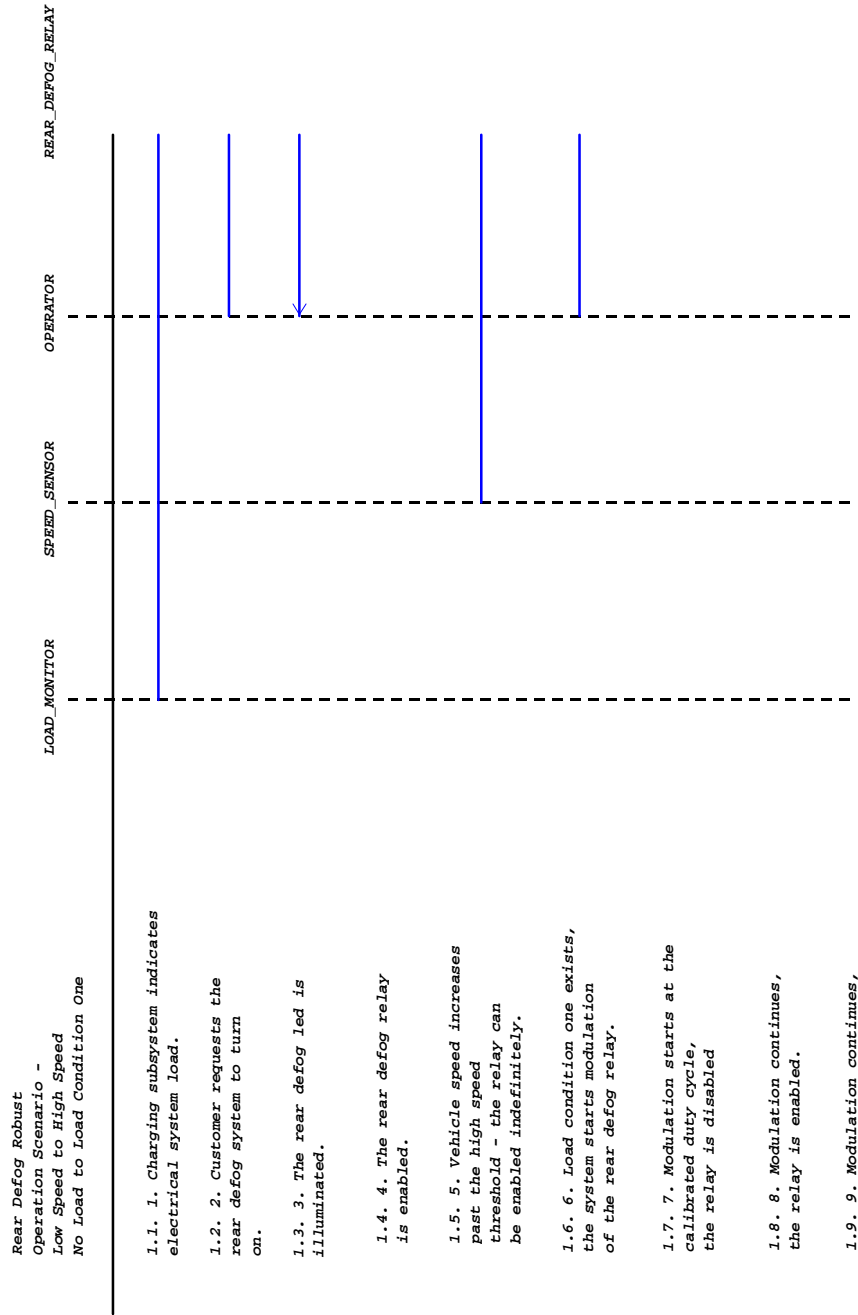
4.1.2 CUSTOMER INDICATION

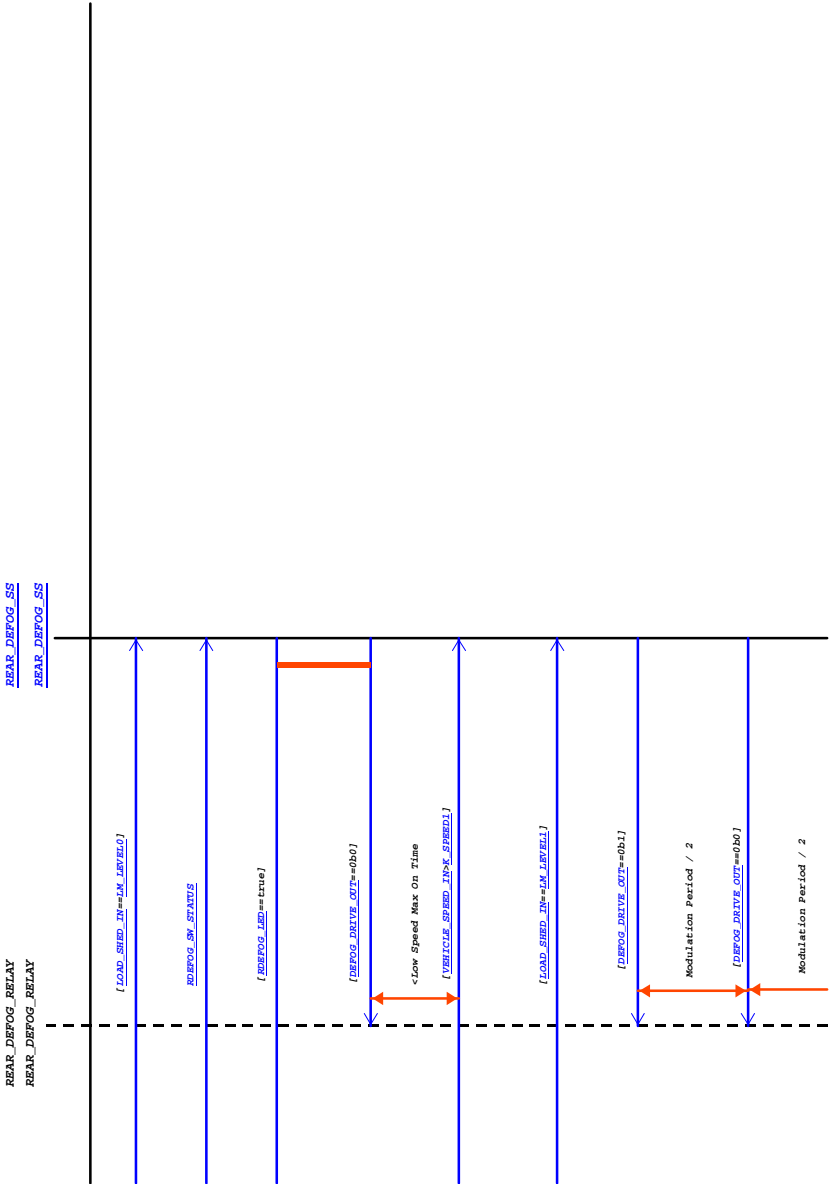
Description:

The system shall provide the customer with an indication of the current state of the rear defog control system.

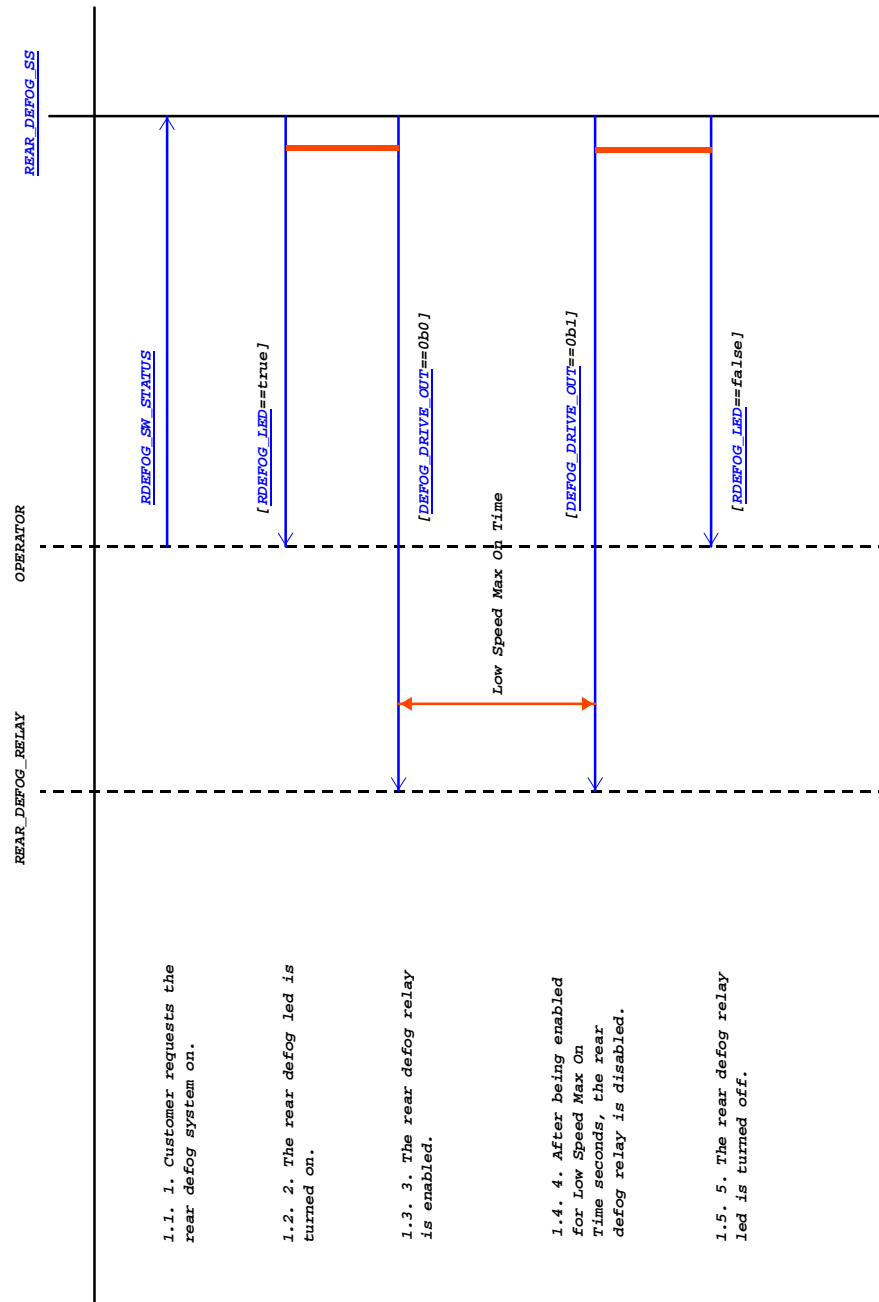
5. Sequence Diagrams

5.1 REAR_DEFOG_2HI_SPEED_2LOAD1





5.2 REAR_DEFOG_LO_SPEED_NO_LOAD



5.3 Truth Tables

5.3.1 Truth-Table of Action REAR_DEFOG_OUTPUT_TT

Input	Output
DEFOG_DRIVE_SIG	DEFOG_DRIVE_OUT
true	0b0
false	0b1

6.Change Log

REAR_DEFOG_SS

Usage type: Root

Version: 2(modified) From date: Oct 11, 2005

Owned by: stephend Created on: Aug 31, 2001

REAR_DEFOG_FEATURES

Usage type: Offpage

Version: 1(modified) From date: Mar 2, 2004

Owned by: stephend Created on: Aug 31, 2001

REAR_DEFOG_RELAY_MGMT

Usage type: Offpage

Version: 1(modified) From date: Mar 10, 2004

Owned by: stephend Created on: Aug 31, 2001

REAR_DEFOG_RELAY_MGMT_BHVR

Usage type: Offpage

Version: 1(modified) From date: Mar 2, 2004

Owned by: stephend Created on: Aug 31, 2001

CALC_REAR_DEFOG_STATE

Usage type: Offpage

Version: 1(modified) From date: Mar 2, 2004

Owned by: stephend Created on: Aug 31, 2001

CALC_REAR_DEFOG_STATE_BHVR

Usage type: Offpage

Version: 1(modified) From date: Mar 2, 2004

Owned by: stephend Created on: Aug 31, 2001

Changes Description

Chart	Date	User	Version	Description
REAR_DEFOG_SS	Date: Tue Jun 28 11:07:25 2005	User: jimb	1	
REAR_DEFOG_SS	Date: Tue Jun 28 11:06:50 2005	User: jimb	2	
CALC_REAR_DEFOG_STATE_BHVR	Date: Wed Dec 18 13:42:15 2002	User: stephend	15	Check-In Chart(s):Includes ND working ND test in MC.
REAR_DEFOG_GDS	Date: Wed Aug 7 21:35:24 2002	User: stephend	3	Check-In Chart(s):
REAR_DEFOG_SS	Date: Wed Aug 7 21:35:23 2002	User: stephend	10	Check-In Chart(s):
REAR_DEFOG_UCD	Date: Wed Aug 7 21:35:23 2002	User: stephend	6	Check-In Chart(s):
REAR_DEFOG_LO_S PEED_NO_LOAD	Date: Wed Aug 7 21:35:23 2002	User: stephend	5	Check-In Chart(s):
REAR_DEFOG_2HI_ SPEED_2LOAD1	Date: Wed Aug 7 21:35:23 2002	User: stephend	4	Check-In Chart(s):
CALC_REAR_ DEFOG_STATE	Date: Wed Aug 7 21:35:22 2002	User: stephend	5	Check-In Chart(s):
REAR_DEFOG_ RELAY_MGMT_ BHVR	Date: Wed Aug 7 21:35:22 2002	User: stephend	9	Check-In Chart(s):
REAR_DEFOG_ RELAY_MGMT	Date: Wed Aug 7 21:35:22 2002	User: stephend	5	Check-In Chart(s):
REAR_DEFOG_ FEATURES	Date: Wed Aug 7 21:35:22 2002	User: stephend	6	Check-In Chart(s):

Sample Output

Chart	Date	User	Version	Description
CALC_REAR_DEFOG_STATE_BHVR	Date: Wed Aug 7 21:35:21 2002	User: stephend	11	Check-In Chart(s):
REAR_DEFOG_SS	Date: Wed Aug 7 21:27:24 2002	User: stephend	9	Check-In Chart(s):
REAR_DEFOG_GDS	Date: Tue Aug 6 16:54:56 2002	User: stephend	2	Check-In Chart(s):
REAR_DEFOG_LO_SPEED_NO_LOAD	Date: Tue Aug 6 16:54:56 2002	User: stephend	4	Check-In Chart(s):
REAR_DEFOG_2HI_SPEED_2LOAD1	Date: Tue Aug 6 16:54:55 2002	User: stephend	3	Check-In Chart(s):
REAR_DEFOG_UCD	Date: Tue Aug 6 16:54:55 2002	User: stephend	5	Check-In Chart(s):
CALC_REAR_DEFOG_STATE	Date: Tue Aug 6 16:54:54 2002	User: stephend	4	Check-In Chart(s):
REAR_DEFOG_RELAY_MGMT	Date: Tue Aug 6 16:54:54 2002	User: stephend	4	Check-In Chart(s):
REAR_DEFOG_FEATURES	Date: Tue Aug 6 16:54:54 2002	User: stephend	5	Check-In Chart(s):
REAR_DEFOG_SS	Date: Tue Aug 6 16:54:54 2002	User: stephend	8	Check-In Chart(s):
REAR_DEFOG_RELAY_MGMT_BHVR	Date: Tue Aug 6 16:54:53 2002	User: stephend	8	Check-In Chart(s):
CALC_REAR_DEFOG_STATE_BHVR	Date: Tue Aug 6 16:54:52 2002	User: stephend	10	Check-In Chart(s):
REAR_DEFOG_SS	Date: Mon Aug 5 07:47:20 2002	User: stephend	7	Check-In Chart(s): Added some long descriptions.
CALC_REAR_DEFOG_STATE	Date: Mon Aug 5 07:47:19 2002	User: stephend	3	Check-In Chart(s): Added some long descriptions.
REAR_DEFOG_RELAY_MGMT	Date: Mon Aug 5 07:47:19 2002	User: stephend	3	Check-In Chart(s): Added some long descriptions.
REAR_DEFOG_FEATURES	Date: Mon Aug 5 07:47:19 2002	User: stephend	4	Check-In Chart(s): Added some long descriptions.
CALC_REAR_DEFOG_STATE_BHVR	Date: Mon Aug 5 07:47:18 2002	User: stephend	9	Check-In Chart(s): Added some long descriptions.

Chart	Date	User	Version	Description
REAR_DEFOG_RELAY_MGMT_BHVR	Date: Mon Aug 5 07:47:18 2002	User: stephend	7	Check-In Chart(s): Added some long descriptions.
REAR_DEFOG_SS	Date: Fri Aug 2 09:42:53 2002	User: stephend	6	Check-In Chart(s):More demo changes.
CALC_REAR_DEFOG_STATE_BHVR	Date: Fri Aug 2 09:42:52 2002	User: stephend	8	Check-In Chart(s):More demo changes.
REAR_DEFOG_RELAY_MGMT_BHVR	Date: Fri Aug 2 09:42:52 2002	User: stephend	6	Check-In Chart(s):More demo changes.
REAR_DEFOG_SS	Date: Fri Jul 26 17:14:47 2002	User: stephend	3	Check-In Chart(s): Description added
REAR_DEFOG_LO_SPEED_NO_LOAD	Date: Wed Jul 24 06:44:41 2002	User: stephend	3	Check-In Chart(s): Added Transition Notes, updated Sequence Diagrams, and added Use Case External Descriptions.
REAR_DEFOG_2HI_SPEED_2LOAD1	Date: Wed Jul 24 06:44:40 2002	User: stephend	2	Check-In Chart(s): Added Transition Notes, updated Sequence Diagrams, and added Use Case External Descriptions.
REAR_DEFOG_UCD	Date: Wed Jul 24 06:44:40 2002	User: stephend	4	Check-In Chart(s): Added Transition Notes, updated Sequence Diagrams, and added Use Case External Descriptions.
REAR_DEFOG_RELAY_MGMT_BHVR	Date: Wed Jul 24 06:44:40 2002	User: stephend	3	Check-In Chart(s): Added Transition Notes, updated Sequence Diagrams, and added Use Case External Descriptions.
CALC_REAR_DEFOG_STATE_BHVR	Date: Wed Jul 24 06:44:39 2002	User: stephend	5	Check-In Chart(s): Added Transition Notes, updated Sequence Diagrams, and added Use Case External Descriptions.
REAR_DEFOG_UCD	Date: Thu Jun 27 13:20:39 2002	User: stephend	3	Check-In Chart(s):
REAR_DEFOG_FEATURES	Date: Wed Jun 26 23:11:24 2002	User: stephend	3	Check-In Chart(s):

Sample Output

Chart	Date	User	Version	Description
REAR_DEFOG_2HI_ SPEED_2LOAD1	Date: Tue May 14 20:39:07 2002	User: stephend	1	Check-In Chart(s): Added UCD and SD
REAR_DEFOG_LO_ SPEED_NO_LOAD	Date: Tue May 14 20:39:07 2002	User: stephend	2	Check-In Chart(s): Added UCD and SD
REAR_DEFOG_ UCD	Date: Tue May 14 20:39:06 2002	User: stephend	2	Check-In Chart(s): Added UCD and SD
REAR_DEFOG_2HI_ SPEED_2LOAD1	Date: Wed Mar 27 10:49:04 2002	User: stephend	Renamed	Check-In Chart(s): Updated UCD and SD.Added Robustness SD.
REAR_DEFOG_LO_ SPEED_NO_LOAD	Date: Wed Mar 27 10:49:04 2002	User: stephend	1	Check-In Chart(s): Updated UCD and SD.Added Robustness SD.
REAR_DEFOG_ UCD	Date: Wed Mar 27 10:49:03 2002	User: stephend	1	Check-In Chart(s): Updated UCD and SD.Added Robustness SD.
REAR_DEFOG_LO_ SPEED_NO_LOAD	Date: Wed Mar 27 09:51:58 2002	User: stephend	New	Check-In Chart(s):Added UCD and nominal scenario
REAR_DEFOG_ UCD	Date: Wed Mar 27 09:51:58 2002	User: stephend	New	Check-In Chart(s):Added UCD and nominal scenario