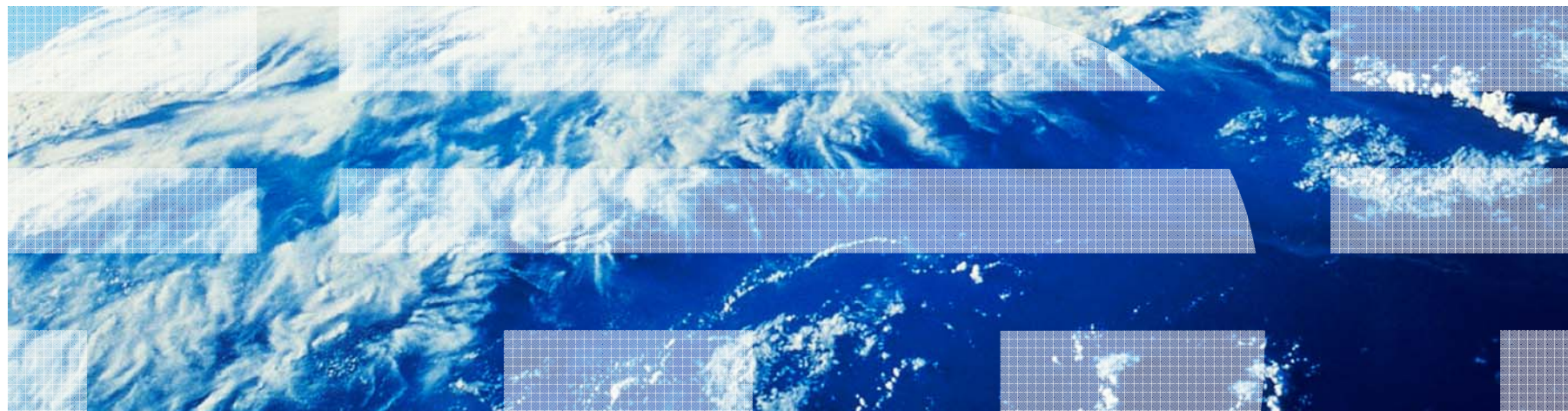

Reporting Open Mic

James Moody



Agenda

- The Data Warehouse
- Reporting
 - Out of the box
 - Custom Reports
- Getting up and running

The Data Warehouse – Historical Perspective

- Product-level data marts
- No room for topology improvements
 - Data mart was part of repository database
- No data sharing, no traceability reporting

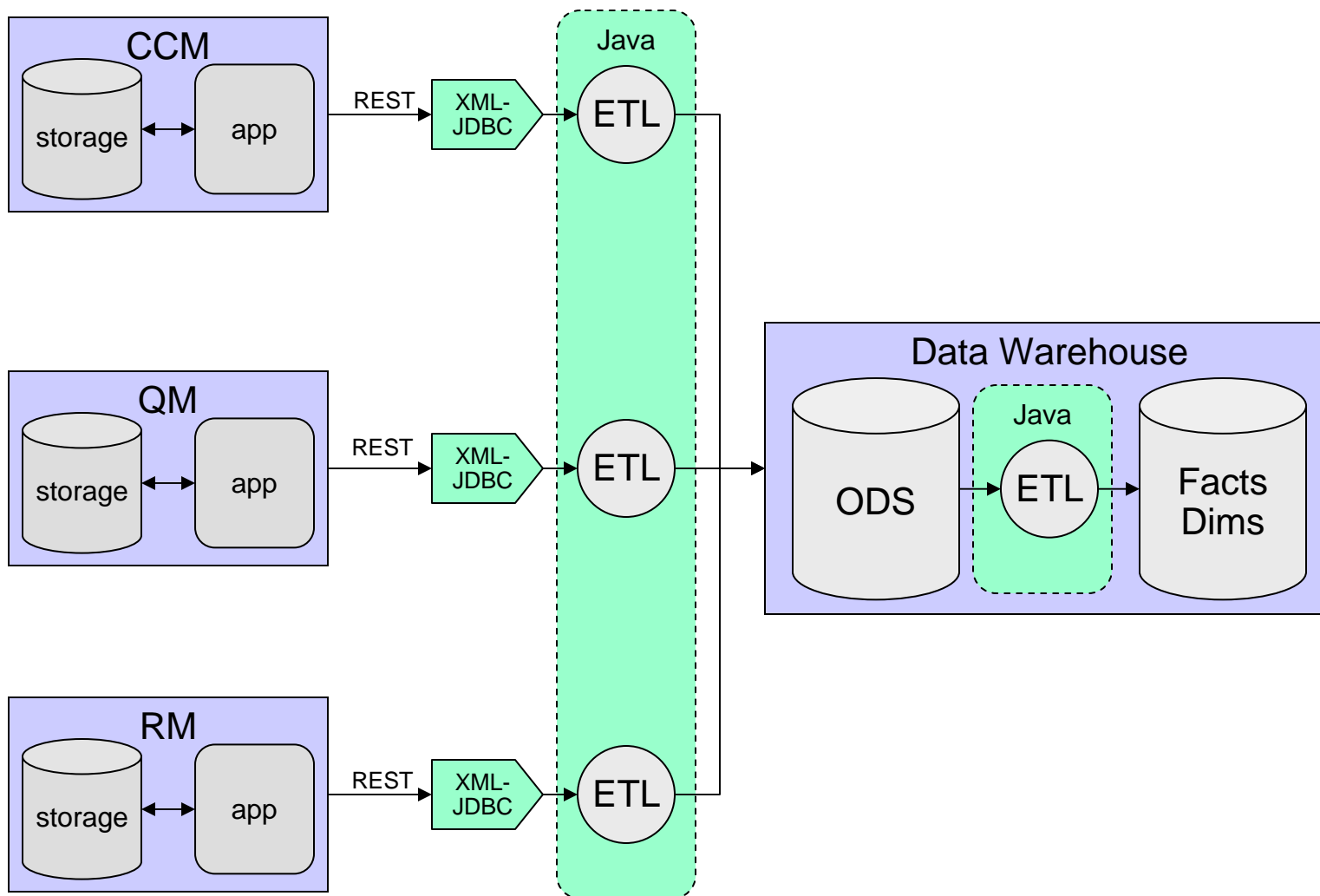
The Data Warehouse – Historical Perspective

- RQM provided “RCR” (Rational Common Reporting)
- External data warehouse
- Data sharing across CLM applications using Rational Insight

The Data Warehouse – The CLM story

- External data warehouse
- Data sharing across CLM applications
- Java-based data collection tasks

The Data Warehouse - Topology



Reporting – Historical Perspective

- RTC: Out-of-the-box BIRT reporting (Data Mart)
 - No cross-domain reporting
- RTC: Custom product reporting with BIRT (Data Mart)
 - No cross-domain reporting
- RQM: Out-of-the-box BIRT reporting (Data Mart)
 - Cross-domain only works if work items, requirements are local
- RQM: Custom cross-domain reporting with Cognos (Data Warehouse)
 - Rational Common Reporting (Optional install)
 - Includes sample reports

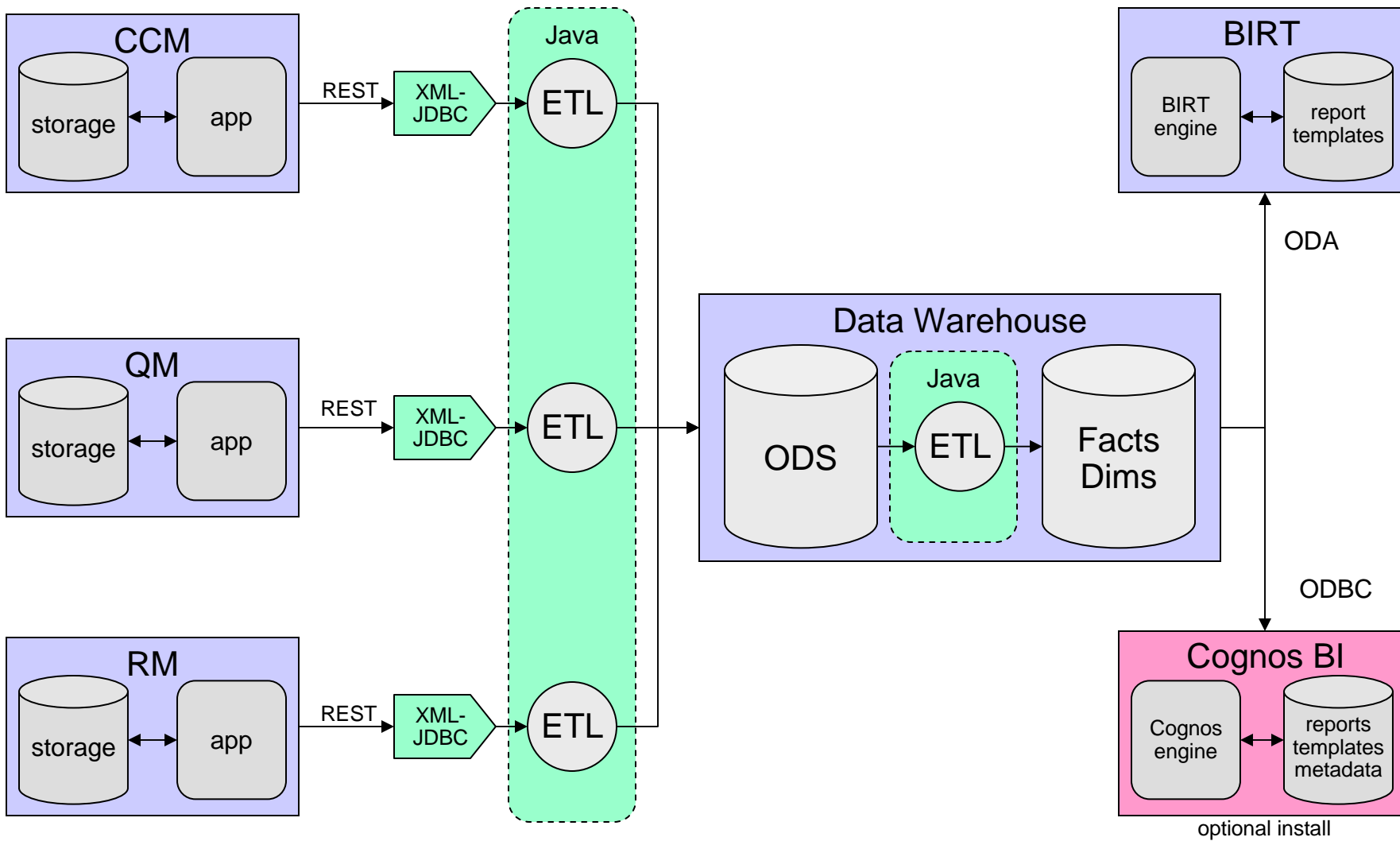
Reporting – The CLM Story – Out of the box

- Out-of-the-box BIRT reports (CCM and QM)
- Data Warehouse, not Data Mart
- Cross-domain traceability reporting possible
- RRC: Out-of-the-box RRDG (RPE) document templates

Reporting – The CLM Story – Custom Reports

- Rational Reporting for Development Intelligence (RRDI)
 - (a.k.a. Rational Common Reporting)
 - Optional install
 - Based on IBM Cognos BI Server 8.4.1.2
- Sample reports provided
- Cross-domain reporting
- Integration of the reports into Jazz application Web UI, Dashboard
- Document generation with Rational Publishing Engine (RPE)
 - RPE can consume the reportable REST API provided by the CLM products
 - Investigating integration of RPE engine into JTS
- (RTC) Continued support for BIRT reporting

Reporting - Topology



What reporting should I use?

- Out of the box (BIRT, RRDG)
 - Pre-defined reports
 - Some are traceability reports
 - No additional installation required
- Custom reports (Rational Reporting for Development Intelligence)
 - Samples provided
 - Cognos-based authoring solution
 - Fixed data model and data collection jobs
 - Additional installation
- Rational Insight
 - Cross-product reporting/rollup (multiple instances of CLM)
 - Integration with other applications
 - Customization of the data model
 - Customization of the data collection jobs (ETLs)

Setting up the data warehouse

- JTS server setup creates the warehouse schemas, tables
- Application setup automatically points to the JTS warehouse

Configuring the data collection jobs

- Data collection jobs run in the respective app (JTS, CCM, QM)
- Configuration of the jobs happens in the respective app
- JTS kicks off all the jobs at regularly scheduled intervals

Installing and Configuring RRDl

- Rational Reporting for Development Intelligence available as separate download
 - Click on “Optional Programs” on the CLM downloads page
- Use the OAuth consumer key and secret during installation
- Don't enable SSL
- If on same machine, change the port so it doesn't conflict with JTS (e.g. 8080)
- Generate the OAuth consumer key under “Friends (Inbound)” on the JTS
 - Should now be able to log in to RRDl using JTS credentials
- Configure the RRDl URL CLM Admin Web UI

Installing and Configuring RRDl

- Import the archives containing:
 - Data Models
 - Sample Reports
- Download the archives from the ccm/admin, qm/admin and rm/admin pages
- Place them in the cognos/deployment folder
- Import using Cognos Administration tool

What problems does this solve?

- RTC: Custom reporting with BIRT is hard
- RQM: Out-of-the-box BIRT traceability reports only work with local work items/requirements
- Traceability reporting across the CLM applications
- Single login for Rational Reporting and CLM applications
- Data security for Rational Reporting
- Share a data warehouse with Rational Insight