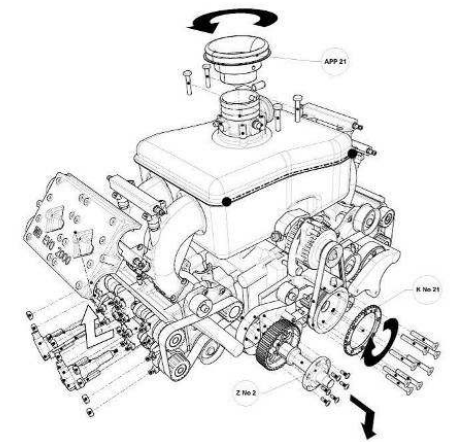
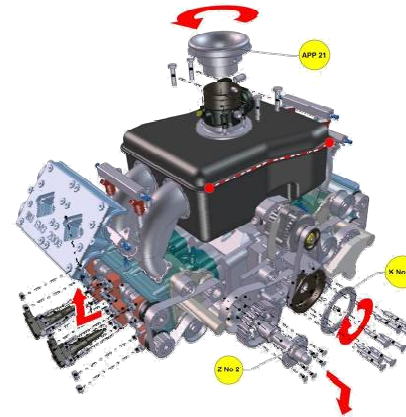


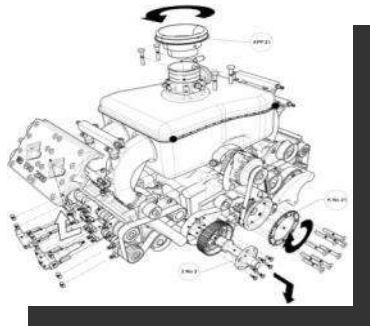


3DVIA Composer

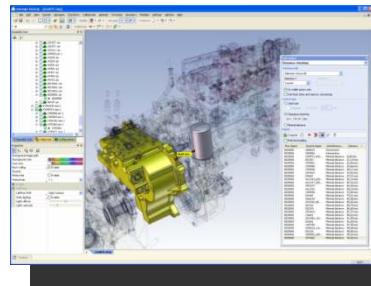
Creating 3D Content For Product Deliverables



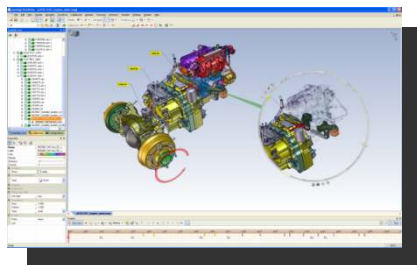
What is 3DVIA Composer?



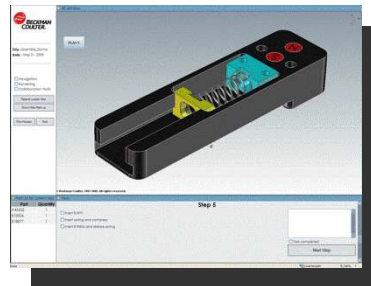
Technical Illustrations



Operation and Training Instructions



Maintenance and Service Instructions



Assembly Instructions



Interactive On-Line Catalogs

3DVIA Composer

Revolutionizes documentation content creation, publishing, and maintenance

Authoring System for creating graphical and interactive documentation:

Traditional 2D images

Interactive Documents

3D On-line Experiences

Product Documentation – The Old Way

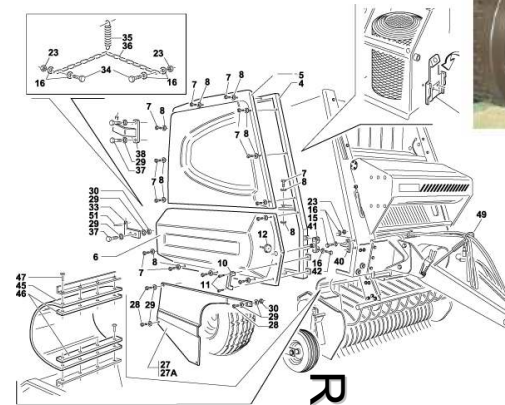
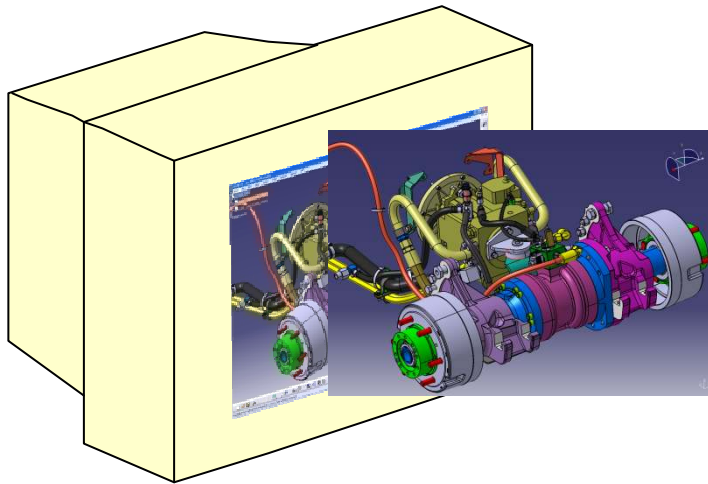


Illustration 4

After cooling, ensure that all the parts are blocked against each other by using the adjustment tool OKf 9542.1 and tapping on the inner roller bearing with a quick blow of a mallet. Illustration 5.



Release >

Product & Process Design
(CAD/CAM/CAE/PDM/PLM)

Product
Documentation

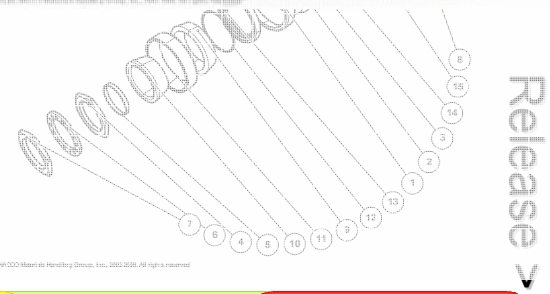
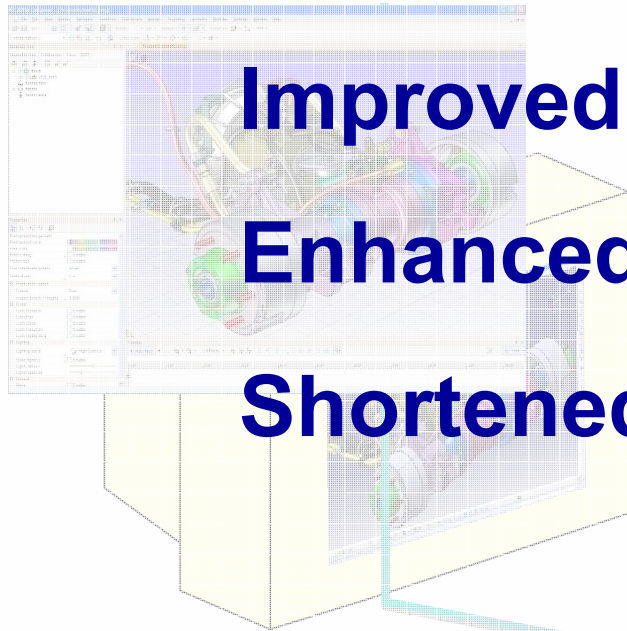
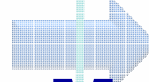
Redo

Product Documentation – With 3DVIA Composer

Improved Operational Efficiencies

Enhanced Product Quality

Shortened Time To Market



Product & Process Design
(CAD/CAM/CAE/PDM/PLM)

2D
Docs

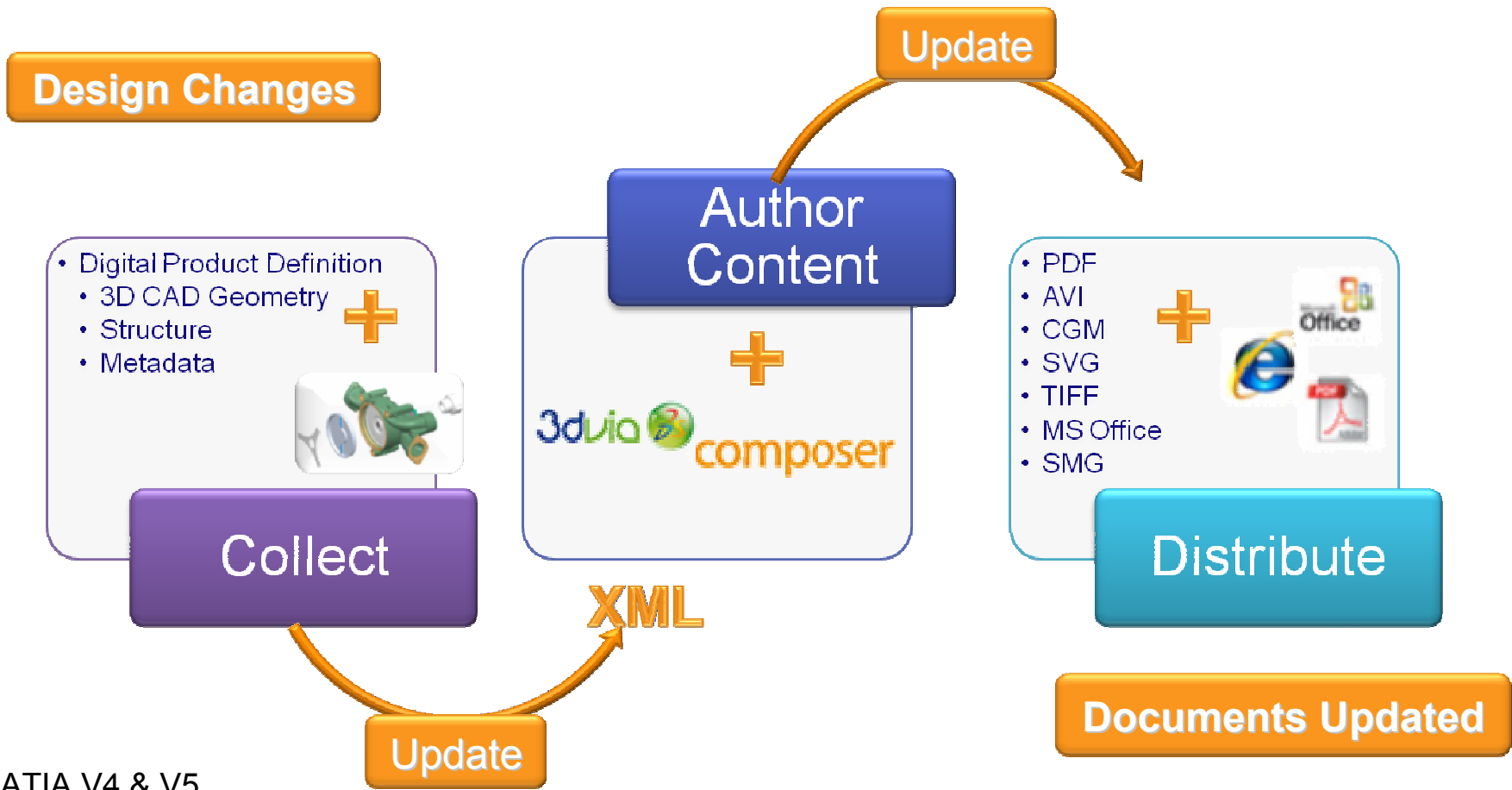
Savings (

Redo

Interactive
Documents

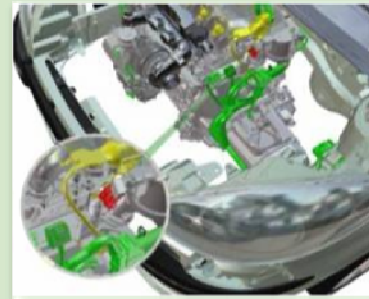
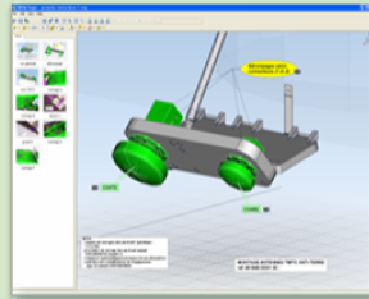
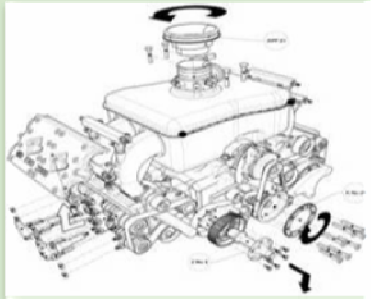


How does 3DVIA Composer Work?



- CATIA V4 & V5
- SolidWorks
- Pro/ENGINEER

Product Documentation Use Cases



Technical Documentation

- Technical illustrations
- Product catalogs

Manufacturing

- Assembly instructions
- Manufacturing Process Instructions

Training & Customer Service

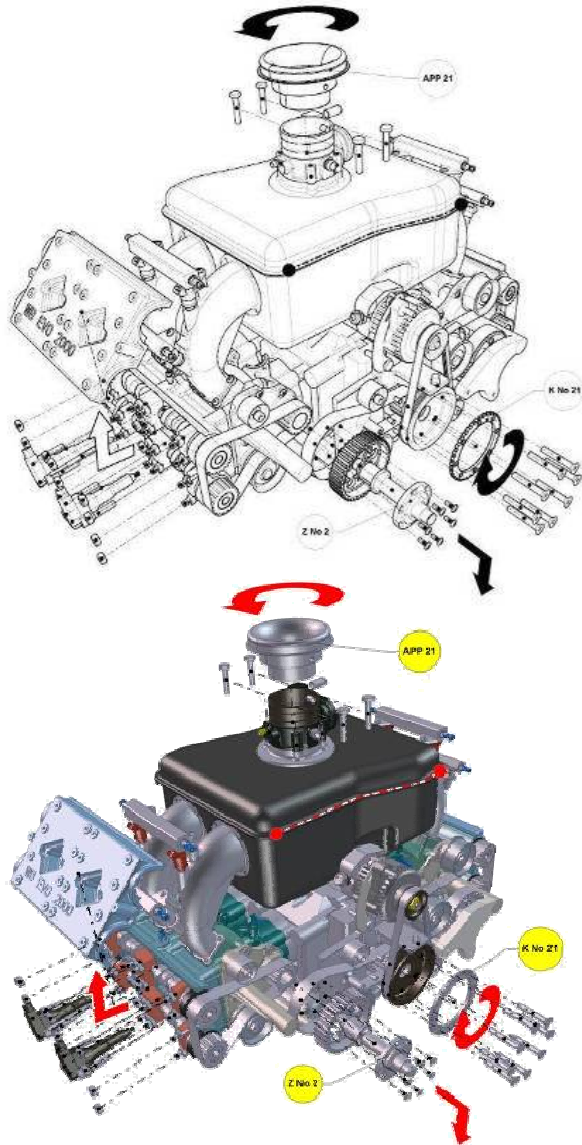
- Operating instructions
- Field service guides

Sales & Marketing

- Sales brochures
- Product demos
- On-line interactive catalogs

1 – 3DVIA Composer For Technical Documentation

“Vector and Raster Images – 3D”



- Create high resolution 3D images
 - Vector line art for Technical Illustrations
 - Raster images for Catalogs, User Manuals

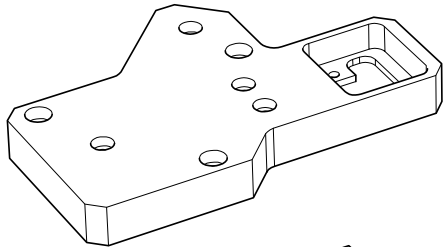
- Create exploded and detail views, annotations

- Save time by reusing 3D CAD data

- Keep illustrations up-to-date with the latest engineering changes

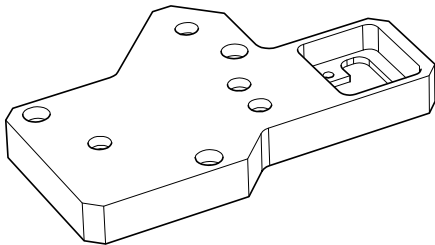
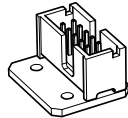
2 – 3D^{VIA} Composer For Manufacturing

1



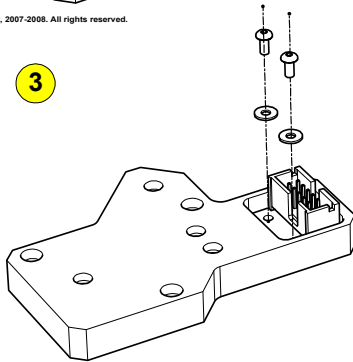
© Beckman Coulter, 2007-2008. All rights reserved.

2



© Beckman Coulter, 2007-2008. All rights reserved.

3



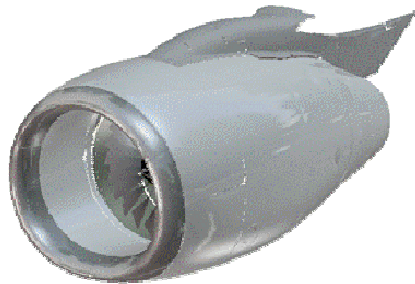
- Create work instructions in 3D
- Replace 2D drawings with 3D interactive documents
 - **Eliminate** costly drawing production, distribution and control costs
- Reduce production errors

3 – 3DVIA Composer For Customer Service & Training



- Replace text with graphics
 - Save (or eliminate) translation costs
- Replace documents with interactive 3D
- Produce animated sequences at lower costs
- Reduce training costs

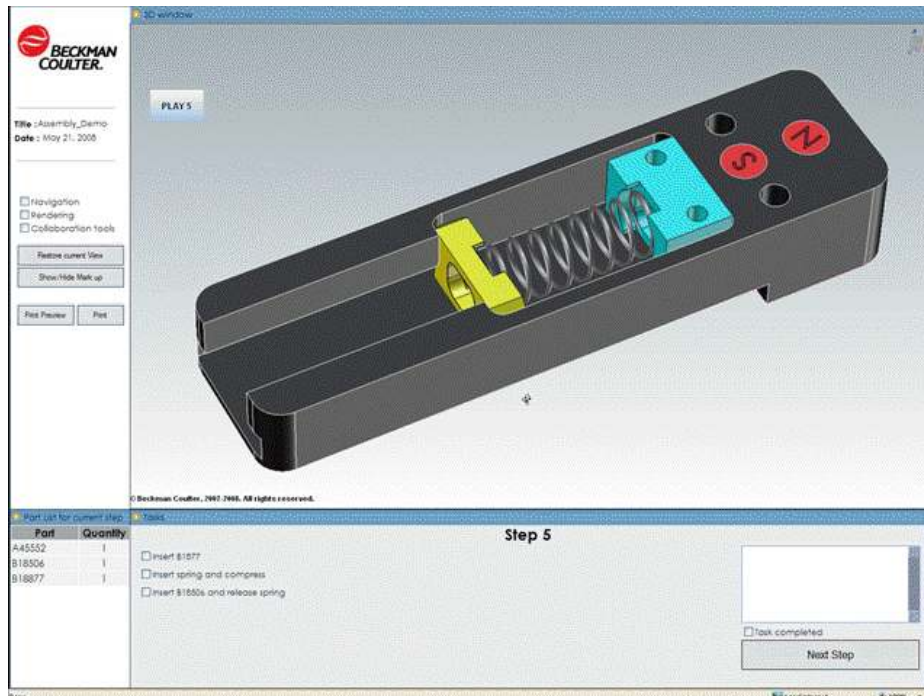
4 – 3DVIA Composer For Sales & Marketing



- 3D software for sales and marketing
- Enable marketing to create animations and graphics for:
 - Pre-sales demonstrations
 - Interactive 3D documents for trade shows
 - Technical brochures
 - On-line interactive part catalogs

Web-Based 3D Assembly Instructions

Beckman Coulter



Users & Target Audience

- Assembly process planners
- Shop floor workers

Application Description

- Dynamic web template delivers paperless assembly instructions to shop floor users
- Adjusts the displayed content in real-time, based on the data it receives

Business Benefits

- 50% reduction in assembly process planning and documentation
- 93% reduction in time to rollout process plan changes
- 24% increase in first pass yield rates
- Near-elimination of shop floor worker assembly training

Typical Benefits From Using 3DVIA Composer

30%
Increase

- Users passing certification exams on first attempt



50%
Reduction

- Assembly process preparation and documentation time



70%
Reduction

- Translation costs by replacing text with animations



80%
Reduction

- Technical illustration creation time



Summary

User Acceptance

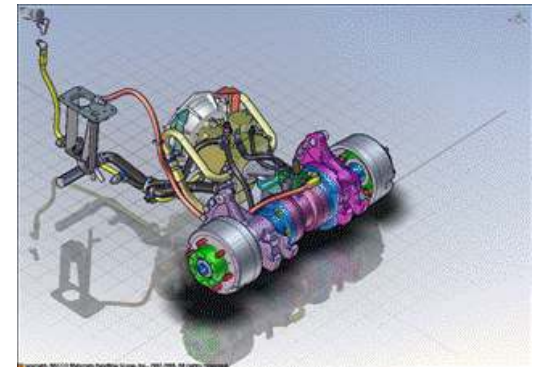
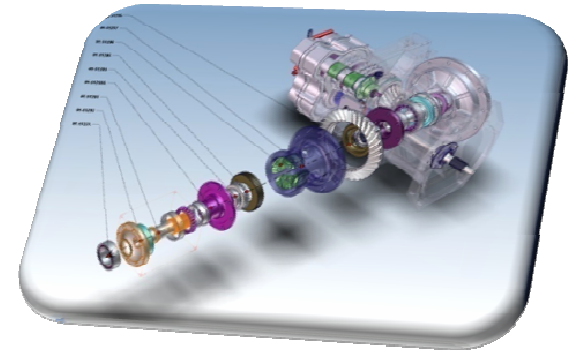
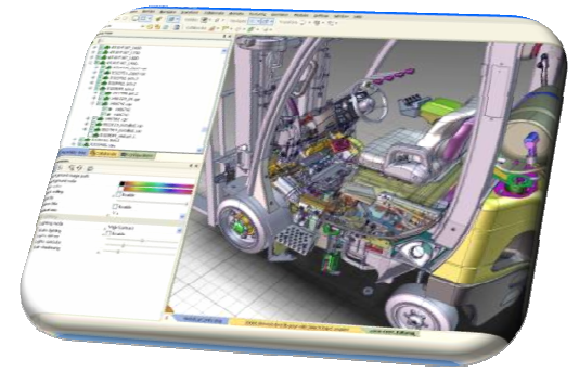
- Fun & easy to Use
- Immediately Improve end-user productivity

Desktop Implementation

- Fast startup
- Fast return on Investment
- Minimal process re-engineering required

Scalable Solution

- Incredible Performance
- Future friendly
- Platform for today requirements and tomorrows innovations
- Unlimited integration & customisation capabilities



Thank-you for your interest.

