

# The importance of Integrated Service Management for exploiting zEnterprise

Paul M Smith ([smithmsm@us.ibm.com](mailto:smithmsm@us.ibm.com))  
Dean Butler ([butlerde@us.ibm.com](mailto:butlerde@us.ibm.com))



# ISM for zEnterprise ensures service quality and integrity across hardware and software



ISM extends across all zEnterprise service management layers

*Integrated Service Management*

Service Lifecycle Management

Higher Quality  
Lower Risk



VISIBILITY



CONTROL



AUTOMATATION

Platform Management

Productivity Savings



**IBM zEnterprise Unified Resource Manager (zManager)**

Systems & Hardware

CapEx Savings



**Consolidation & virtualization on IBM zEnterprise**



**Workload optimization**

# Unified Resource Manager (zManager) provides Platform and Hardware Management for zEnterprise resources

Integrated Service Management

## Service Management

- End-to-End Workload and Security Management that align IT Management with Business Goals
- Common Usage and Accounting for business management
- Dynamic Management of Application Workloads based on Policies

## Platform Management

- Workload based Resource Allocation and Provisioning
- Physical and Virtual Resource Management
- Goal Oriented Resource Management of zEnterprise

## Hardware Management

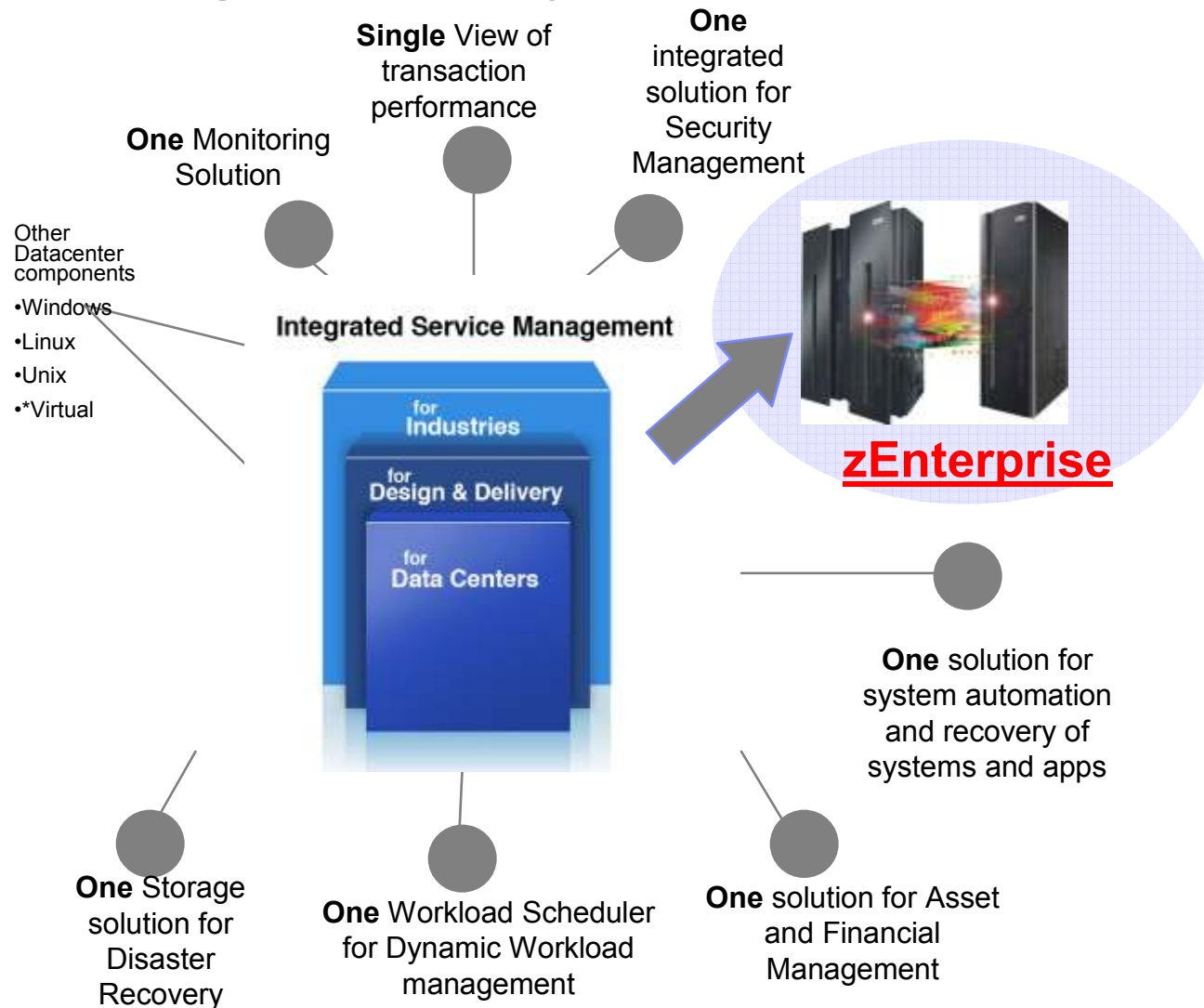
- Configuration management
- Operational controls
- Lifecycle management for the platform's virtual resources



## PLUS zManager:

- Virtualization management – single view of virtualization across z platform
- Hypervisor management and creation of virtual networks
- Operational controls, service and support
- Workload awareness and platform performance management
- Energy Monitoring and Mgmt

# Architecture Vision: consolidate Integrated Service Management on System z



## IBM Advantage

- ✓ **Visibility. Control. Automation™** with a *SINGLE POINT OF CONTROL* on a common infrastructure
- ✓ *Consolidated view of the IT infrastructure*
- ✓ *Lower training and maintenance costs*
- ✓ *Integrated, consolidated reporting*
- ✓ *Asset optimization*

## Offerings available today for System z (z10 too)

### **Tivoli Application Management for zEnterprise**

- Ability to view, monitor and manage applications for physical and virtual machines
- Alerting capabilities for early detection of costly slow downs or outages

### **Tivoli Asset and Financial Management for zEnterprise**

- Visibility into software usage and compliance across heterogeneous resources
- Greater efficiency of resource usage
- Central view and management of requirements and costs

### **Tivoli Security for zEnterprise**

- Simplified administration and monitoring, reducing the time to perform everyday tasks
- Compliance with both internal security policies and external government laws and regulations
- Automation, for a faster and more consistent response to problems with and reduced costs

### **Tivoli Application Resilience for zEnterprise**

- Automated high availability and disaster recovery operations across multi-tier environments
- Central view and management of critical business processes

# Monitor and manage application performance and availability



## Tivoli Application Management for zEnterprise

### End-to-end service management support

- Application monitoring and transaction tracking capability for heterogeneous zEnterprise environment

### Key capabilities

- Integrated end-to-end active and passive monitoring
- View and monitor workloads for composite applications, physical and virtual machines, groups and response times
- Alerting capabilities for early detection of costly performance problems and outages



## Provide centralized asset and cost visibility for shared business and IT resources

**\* New!**

### Tivoli Asset and Financial Management for zEnterprise

Ability to determine, track and cost shared resource usage for business end-to-end

#### Key capabilities

- Visibility into software usage and compliance across heterogeneous resources
- Provide audit ready data
- Alignment of IT costs with business objectives



# Enterprise Security Hub across production systems and consolidated virtual system workloads

New and Enhanced!

## Tivoli Security for zEnterprise

### Expanding security across Linux on z

- Supports recent mainframe, RACF, and zSecure security enhancements

### Key capabilities

- Updated federation standards for on- and off-premise access including software as a service (SaaS) and cloud-based services
- Define business-level security needs while reducing complexity and cost of securing applications and services





# Optimize availability and resiliency of multi-tier, composite application environments

**\* New!**

## Tivoli Application Resilience for zEnterprise

End-to-end applications and integrated operations management for multi-platforms

### Key capabilities

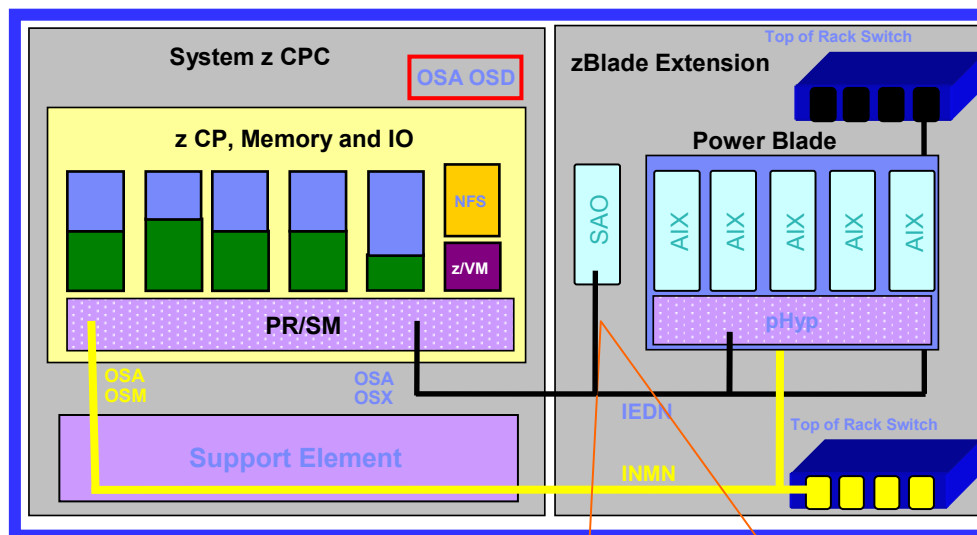
- Single end-to-end point of control for resource automation throughout zEnterprise
- Aggregate and centrally manage cross-enterprise, heterogeneous workloads to support business goals and service levels
- Automated High Availability and Disaster Recovery to meet business service level requirements



# Integrated Service Management capabilities enhanced for zEnterprise

## Tivoli OMEGAMON XE for Mainframe Networks

provides the visibility into the OSA CHPID types and interface types specific to zEnterprise network



Tivoli OMEGAMON XE for DB2 will provide visibility into the offload of DB2 on z/OS warehouse queries to the **Smart Analytics Optimizer**

## Questions?

The importance of Integrated Service Management for exploiting zEnterprise

Paul M Smith (smithmsm@us.ibm.com)  
Dean Butler (butlerde@us.ibm.com)