

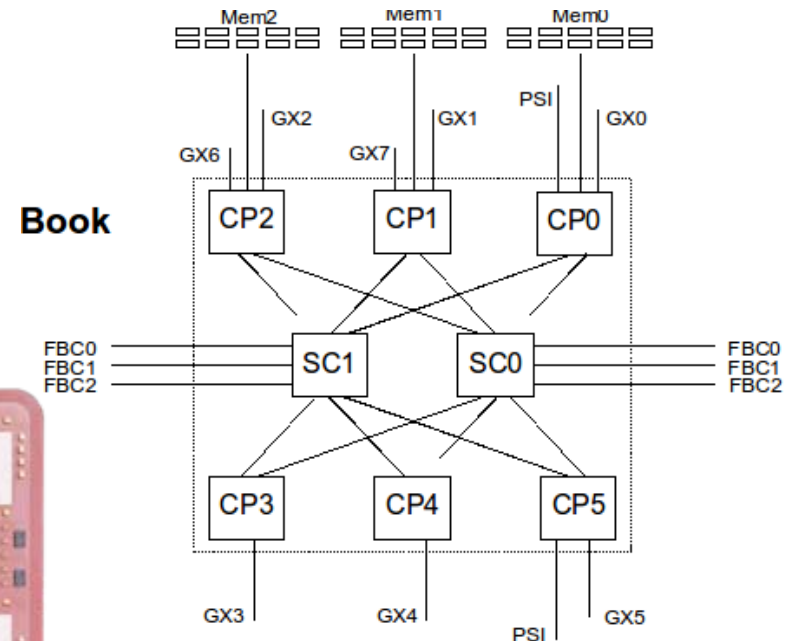
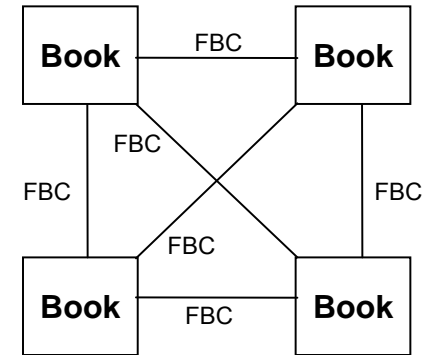


The New zEnterprise – A Smarter System For A Smarter Planet

A Closer Look At zEnterprise

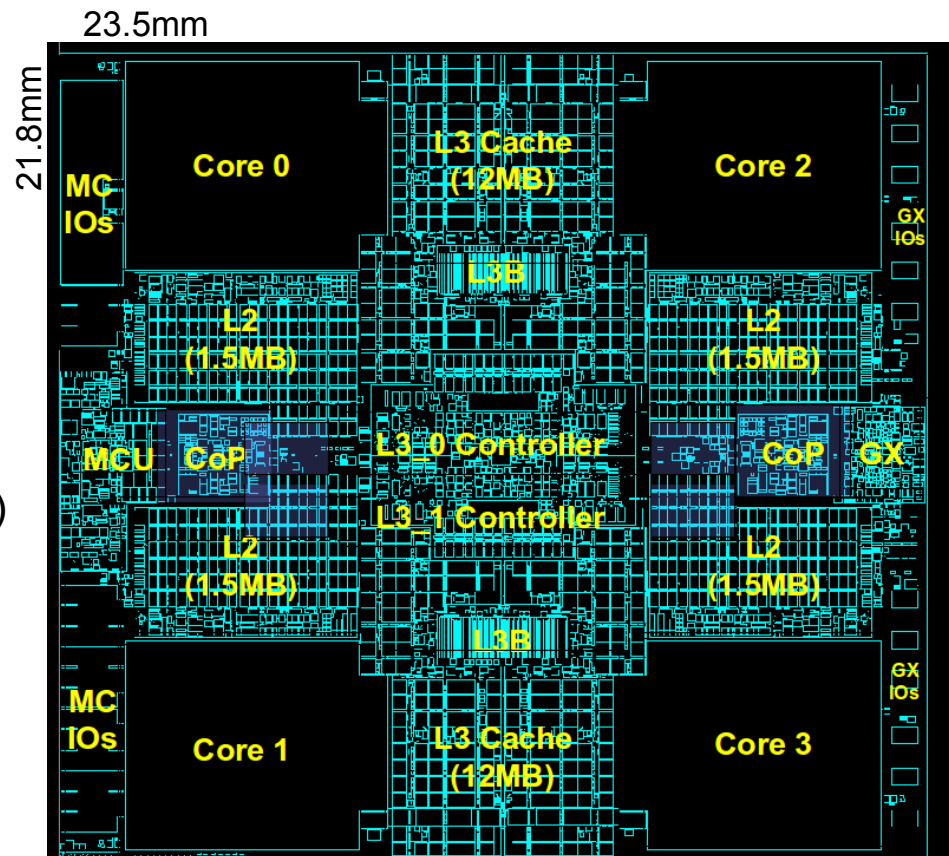
z196 Has A Familiar 4-Book Design, But Packs More Inside

- Each book has 6 quad-core central processors (CPs) ...
 - ▶ Increased from 5 in System z10
 - ▶ Fully connected topology
- ...Plus 2 storage control (SC) chips
 - ▶ Each holds up to 96 MB eDRAM L4 cache shared per node
 - 192 MB total per book
- Up to 3TB RAIM memory for system
 - ▶ Up to 768 GB per book
- Elliptic Curve Cryptography



z196 Core Designed To Be The Fastest Available Today

- Quad-core CP chips designed to reach speeds of 5.2 GHz
 - ▶ Exceeds z10 speed of 4.4 GHz
- Four levels of cache:
 - ▶ Over twice as much on-chip cache as System z10
 - ▶ L1: 64KB I / 128K D private, per core
 - ▶ L2: 1.5MB private, per core (adjacent)
 - ▶ L3: 24MB per chip, shared by all 4 core
 - ▶ Interface to L4 cache (SC Chips) at 40+ GB/sec
- Cryptographic and data compression co-processors
- Memory controller
- I/O Bus Controller (GX)
- Over 100 new instructions

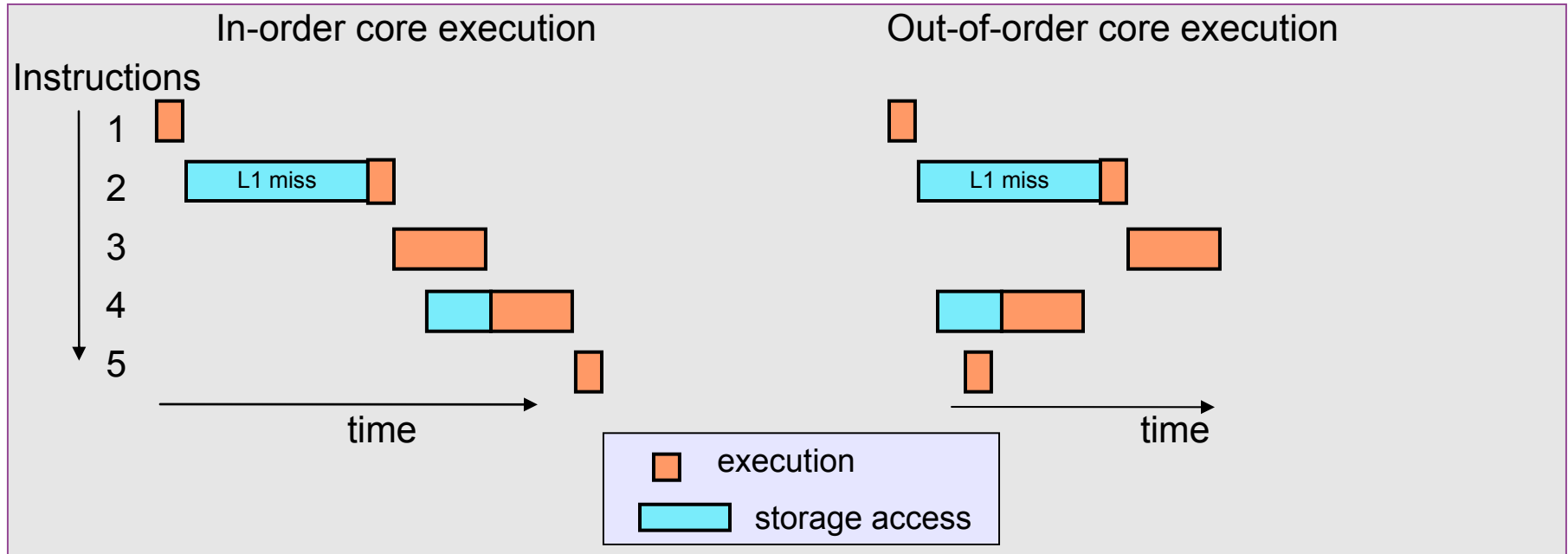


CP Floor Plan – 512.3 mm², 1.4B transistors

40% improvement for n-way processors
60% more total capacity than System z10

zEnterprise Includes System z's First Out-Of-Order (OOO) Core

- Instructions can be reordered
 - ▶ Later (younger) instructions can execute ahead of older stalled instruction
 - ▶ Re-order storage accesses and parallel storage accesses
 - ▶ Yields significant performance benefit for compute-intensive applications



z196 – A New Generation Of Mainframe Available In Five Models

- Machine type 2817
 - ▶ Five models – M15, M32, M49, M66, M80
- Scalable to 96 CPs
 - ▶ 20 CPs per node (24 for M80)
 - ▶ 80 configurable as GP, IFL, ICF, zAAP, zIIP
 - ▶ 2 spares per system, up to 14 SAPs
- Hot-pluggable I/O
- Capacity On Demand capabilities included
- Up to 60 logical partitions
 - ▶ Up to 1TB per LPAR
- Support for:
 - ▶ z/OS, z/VM, z/VSE, z/TPF, Linux on System z



Sub-capacity pricing available:

7xx = 100%

6xx = 64%

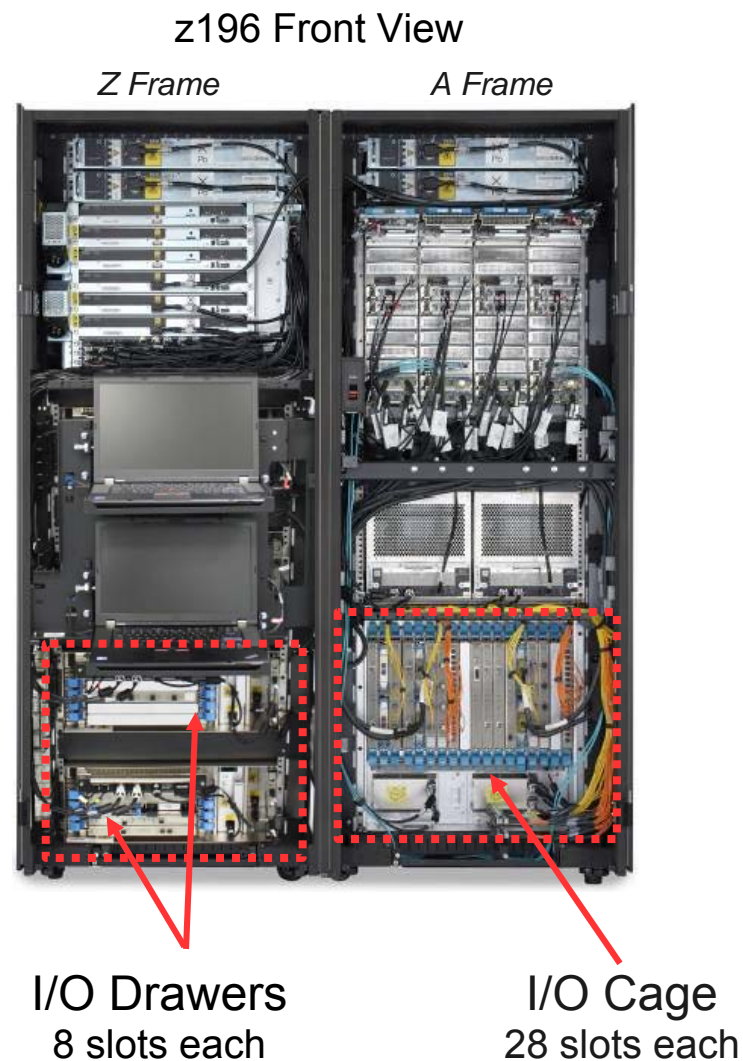
5xx = 49%

4xx = 20% (xx = 01 - 15)

z196 Introduces New I/O Drawer Technology Designed For Concurrent Use

- z196 infrastructure supports both cages (z10 EC style) and drawers (z10 BC style) for I/O
 - ▶ Both support full range of FICON, ESCON, OSA, ISC, Crypto Express and Infiniband cards
- Unlike cages, drawers can be added or removed without affecting system power
 - ▶ Must have at least 2 drawers installed to work non-disruptively
- Drawers are favored on z196
 - ▶ Up to 32 I/O cards – use 1-4 drawers
 - ▶ With 32-72 I/O cards – use 1 or 2 cages , plus up to 2 drawers

Reduce downtime and increase flexibility with non-disruptive, pluggable I/O



z196 Yields Dramatic Improvements Over IBM System z10

For Linux

Up to **60%**

Improvement in
performance

at **33%**

Less cost



For z/OS

Up to **40%**

Improvement in
performance

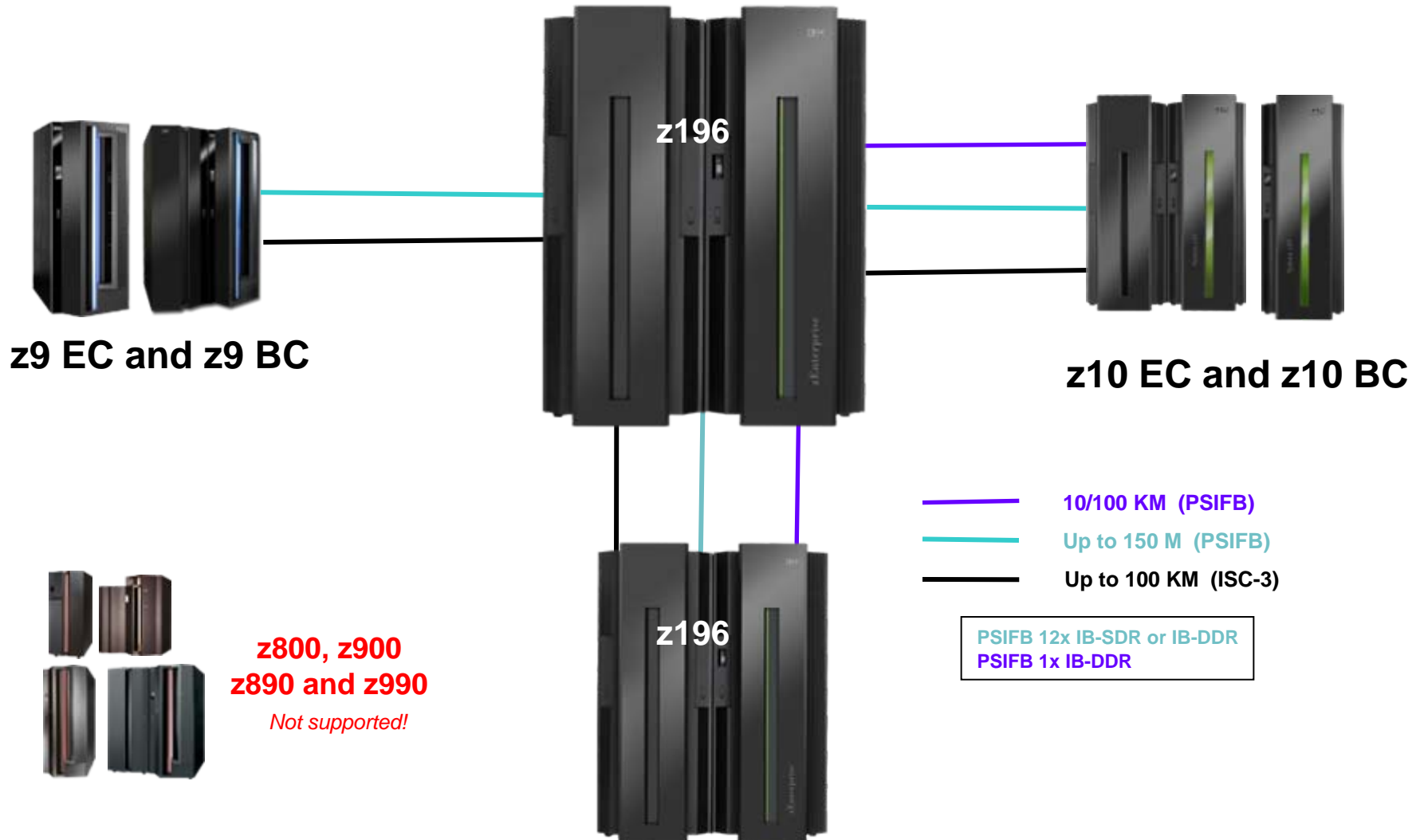
with **60%**

More capacity

With no increase in energy consumption

* Based on 60% increase in total capacity and 40% improvement in engine speed of z196 compared to z10. Also, includes new pricing for IFL, memory and maintenance.

z196 Can Coexist In A Parallel Sysplex With z10 And z9



zBX Is An Extension Of System z

Machine Type: 2458 – Model 002

■ Integrated IBM Certified Components

- ▶ Standard parts – Top-of-rack (TOR) switches, BladeCenter Chassis, Power Distribution Units, Optional Acoustic Panels

■ System z support

- ▶ Problem reporting, hardware and firmware updates

■ Expanded operating system support for zEnterprise

- ▶ AIX, Linux on System x¹

■ Simplified management

- ▶ Improved time to install and implement new applications
- ▶ Central point of management for heterogeneous workloads
- ▶ No change to applications



Optimizers

- IBM Smart Analytics Optimizer
- WebSphere DataPower appliance¹

Select IBM blades

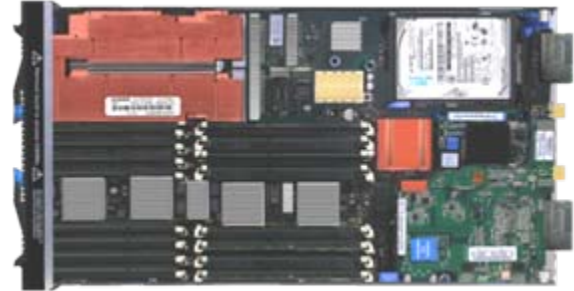
- BladeCenter PS701 Express
- System x¹

One to four 42u racks – up to 112 blades, < 26m from z196
No System z software running in zBX – Passport Advantage software licensed to blades
No MIPS/MSU rating
Configured for high availability
Optional rear door heat exchanger

¹ All statements regarding IBM future direction and intent are subject to change or withdrawal without notice, and represents goals and objectives only.

zBX Supports New Power PS701 Blades

- POWER7 8-core processor
3.0GHz
- Single wide blade server
- 3 configurations supported in
zEnterprise System
 - ▶ 32 GB, 64 GB, 128 GB
- AIX OS 5.3 or greater
- PowerVM
- Hot Swap POWER blades in
BladeCenter Chassis
- Auto sensing by z196 initiates
configuration and firmware
updates done at HMC



Machine Type: 8406
Model 71Y

- System z support extended to zBX blades:
- Problem reporting and 'phone home' capability
 - Blade warranty provided as part of zBX warranty and terms
 - Support by IBM System z Service Support Rep (SSR)

IBM Smart Analytics Optimizer Uses Breakthrough Technology To Accelerate Business Analytics

What is it?

- x86 blades, memory, and software designed to work transparently with DB2 for z/OS
- Snapshot of datamart is maintained in blade memories, organized by column, and compressed
- Accelerates select queries from DB2 for z/OS, with unprecedented response times

How is it different?

- Performance
- Integration
- Transparency
- Simplified Administration



WebSphere DataPower Appliance Simplifies Deployment And Hardens Security

What is it?

- Helps simplify govern and enhance the security of XML and IT services
- Provides connectivity, gateway functions, data transformation, protocol bridging and intelligent load distribution

How is it different?

- Security
- Improved support
- System z packaging
- Operational controls

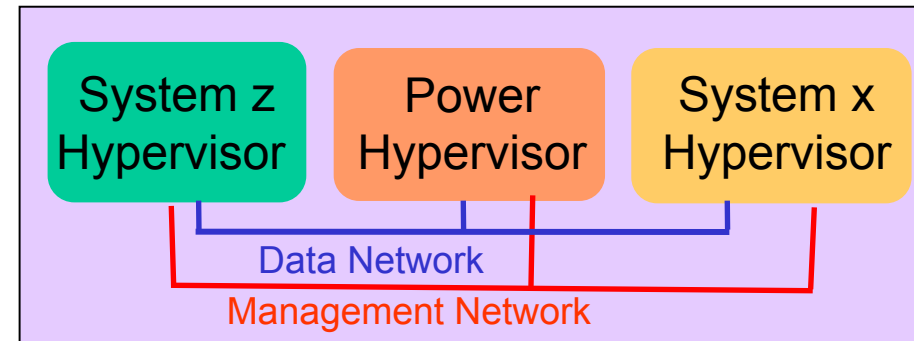


* All statements regarding IBM future direction and intent are subject to change or withdrawal without notice, and represents goals and objectives only.

zEnterprise zBX Integration

- Hypervisors are shipped, serviced, and deployed as System z Licensed Internal Code
 - ▶ Booted automatically at power on reset
- Pre-configured private and physically isolated internal management network
 - ▶ 1 Gbps that connects all resources for management purposes
- Private and secure data network
 - ▶ 10 Gbps that connects all resources
 - ▶ Access-controlled using integrated virtual LAN (VLAN) provisioning that requires no external switches or routers
 - ▶ Less latency – fewer ‘hops’ to get to the data and no need for encryption / firewall
 - ▶ Full redundancy for high availability

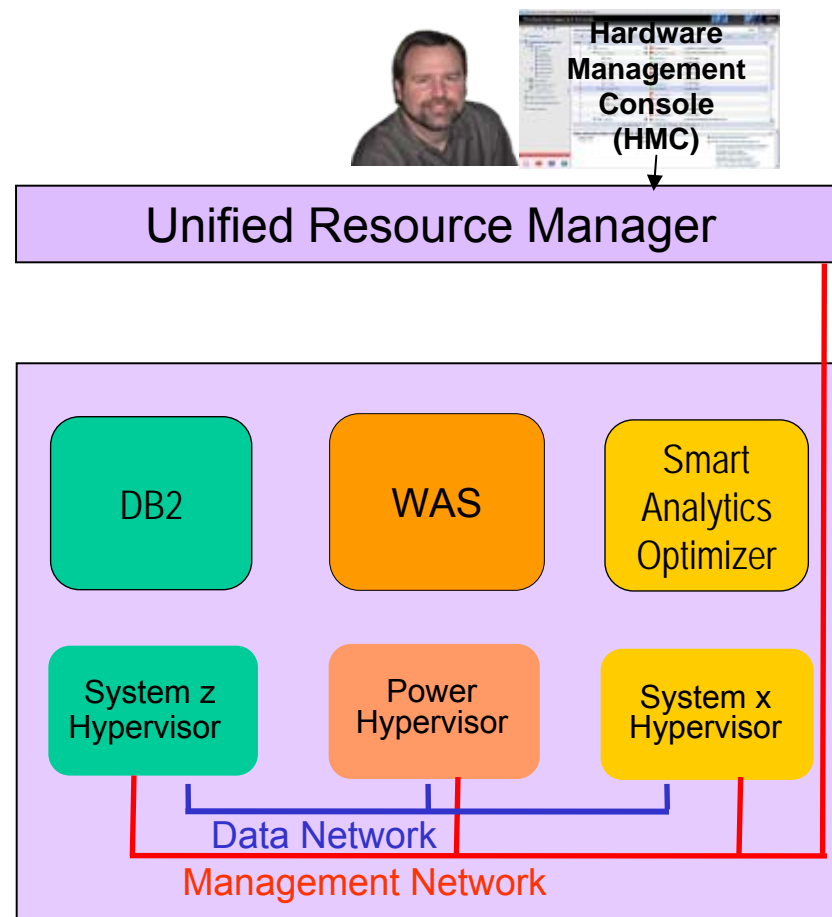
Centralized and Secure Virtualization Platform



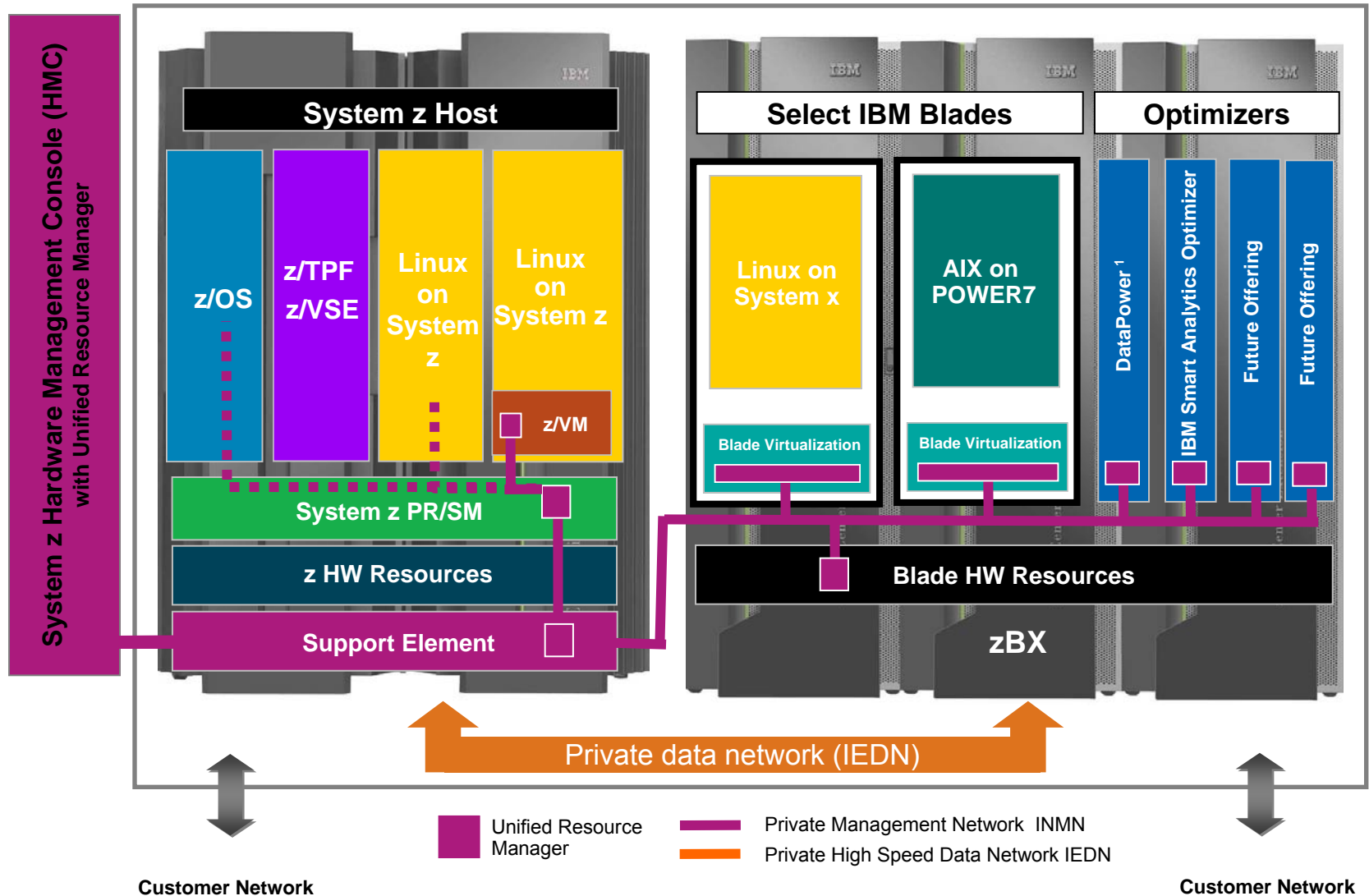
zEnterprise

Unified Resource Manager Integrates Management Of z196 And zBX Environments

- Automatic inventory of all elements
- Automatic installation of hypervisors
- Create virtual networks
- Create virtual machines on any hypervisor from one console
- Manage performance of virtual machines as a group for a business workload



Unified Resource Manager Works With HMC And SE To Manage Resources Between z196 And zBX



A Smart New Release Of z/OS Yields Improved Performance And Ease Of Use

z/OS Version 1 Release 12....

Control-Area Reclaim improves performance up to 40% for applications using VSAM

Additional new data set types enable easier data management

Management and administration simplified with the z/OS

Management Facility (z/OSMF); WLM Policy Editor

integrated into z/OSMF



... a Smarter Operating System

Innovative self-learning, self-managing and self-optimizing capabilities

Learns heuristically from its environment; reports system abnormalities

Predictive Failure Analysis predicts problems before they occur

Real-Time Diagnostics quickly analyses key indicators on a running system

Discovery and Auto Configuration brings “plug and play” capabilities to z/OS platform

zEnterprise Is A New Generation Of Computing Power

A “system of systems” to revolutionize the data center

z196 – a new, fast, high-performance breed of mainframe

zBX – integrated AIX and Linux-based application blade servers and blade appliances

Unified Resource Manager – resource and workload management firmware extending across the systems

