

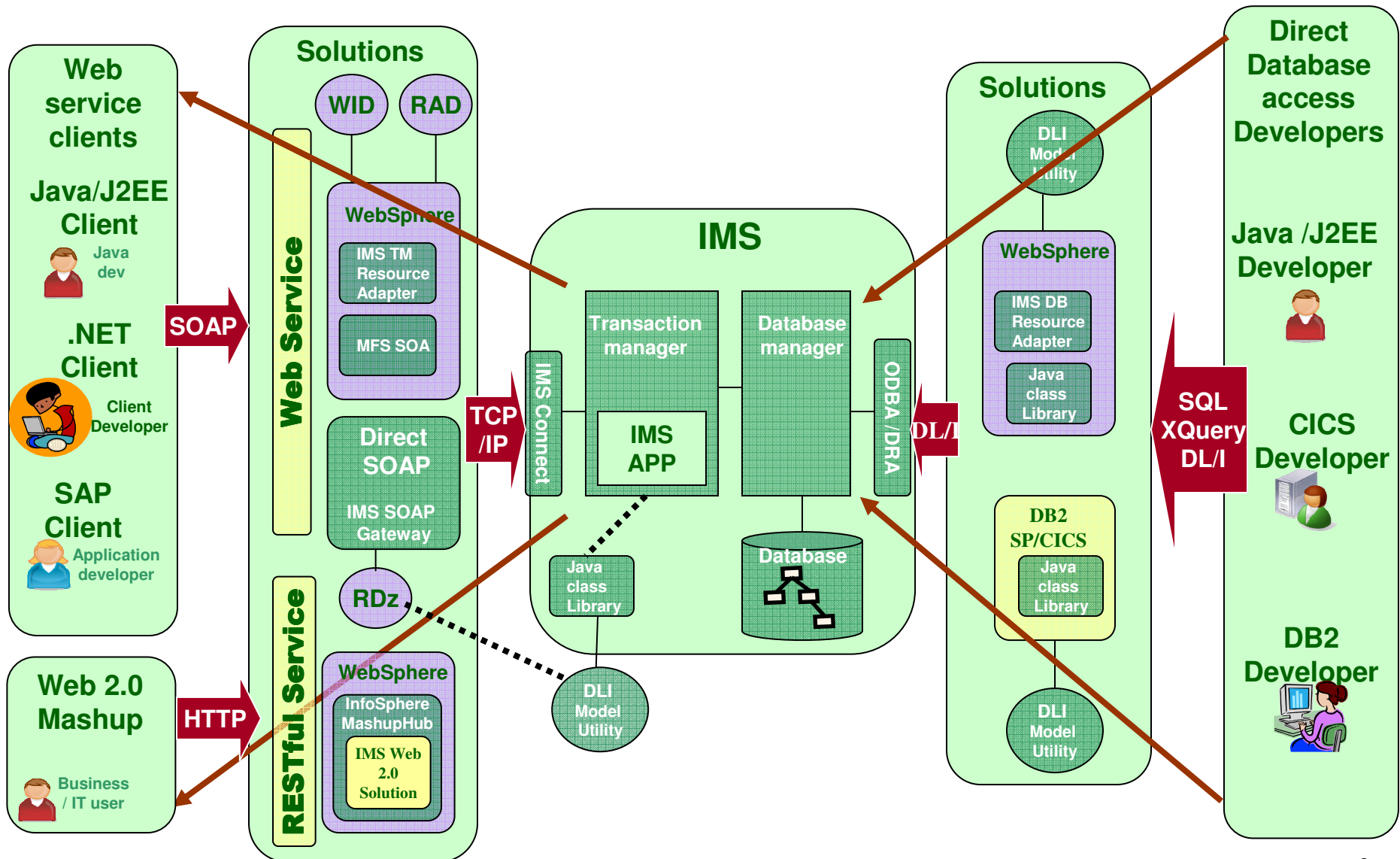


MFS SOA – Easily Web Enabling Your 3270 Green Screens

Evgeni Liakhovitch

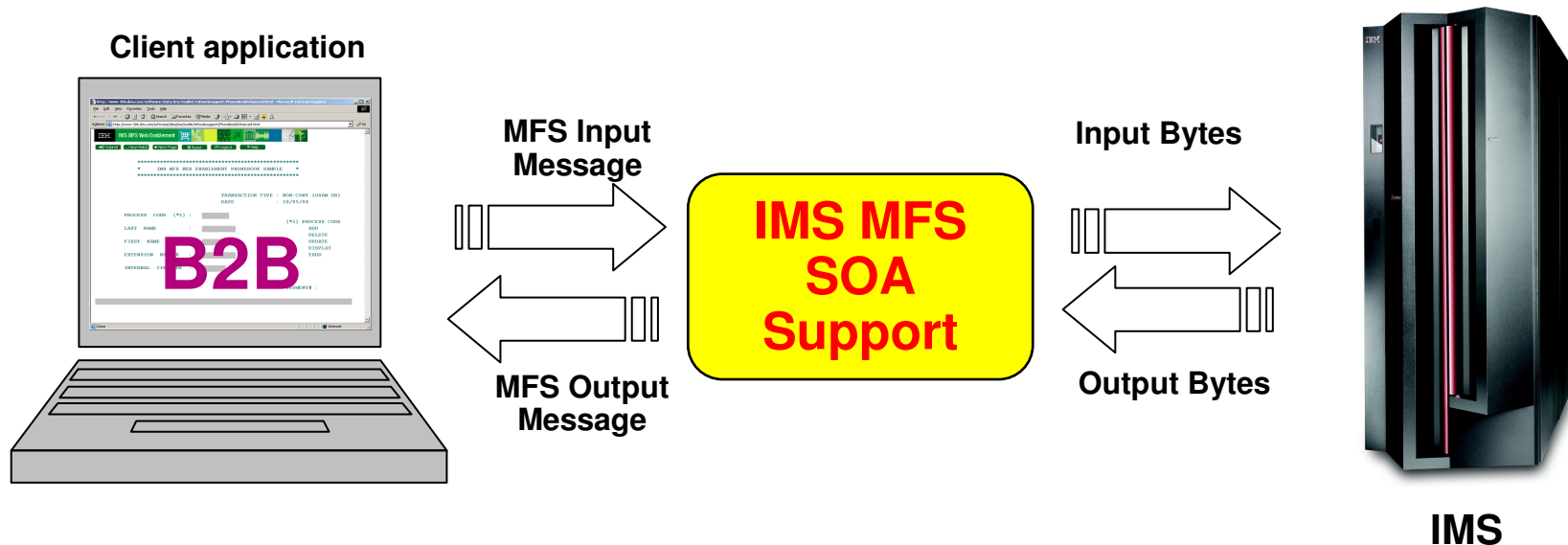


IMS SOA Solutions



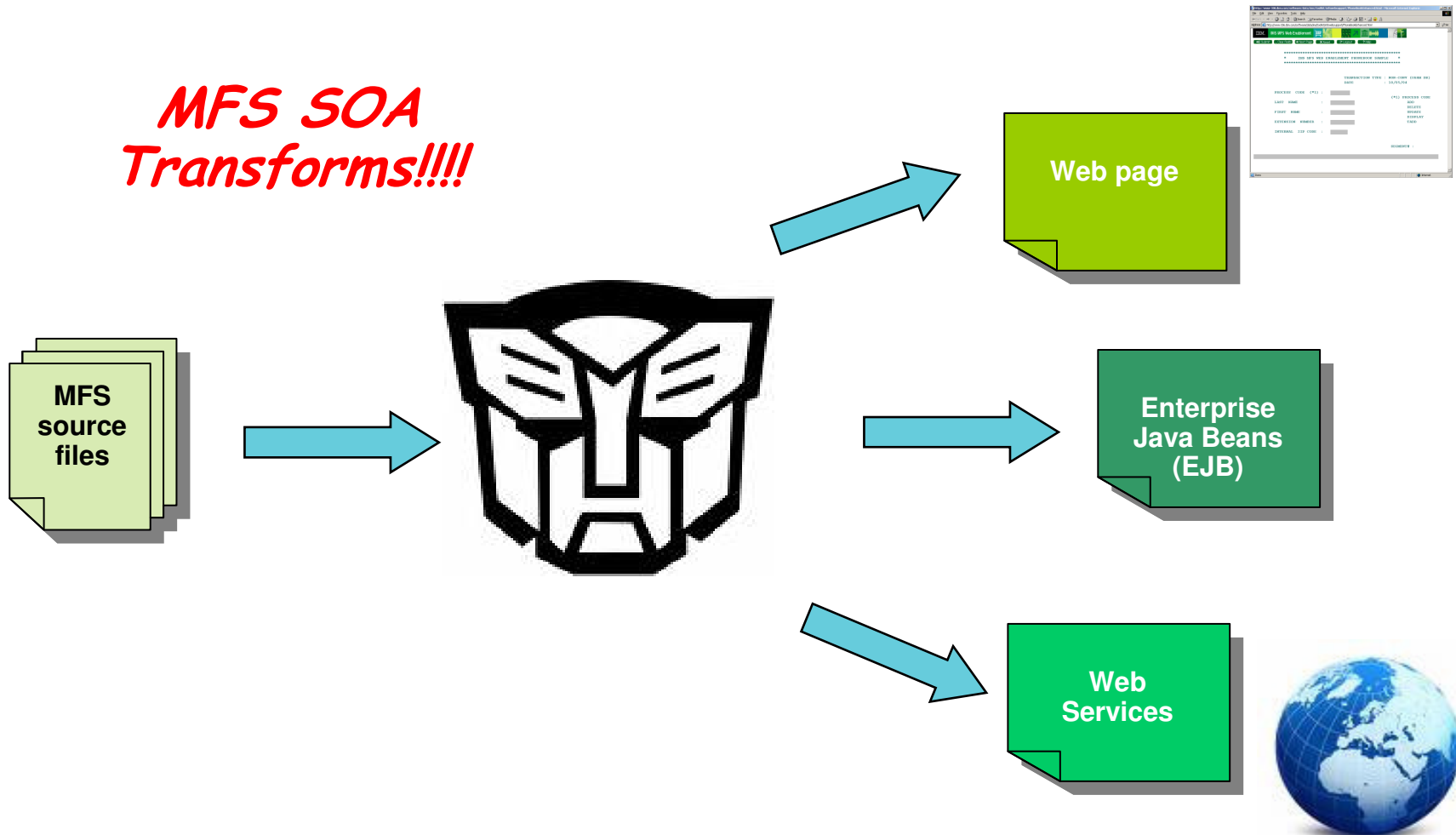
IMS MFS SOA Support Overview

Message **F**ormating **S**ervice SOA is designed to provide a systematic approach of transforming existing MFS-base IMS application into MFS J2C Services. It enables MFS-base IMS transaction to be accessed from the web and reusable for many B2B scenarios.



What can MFS SOA do??

*MFS SOA
Transforms!!!!*

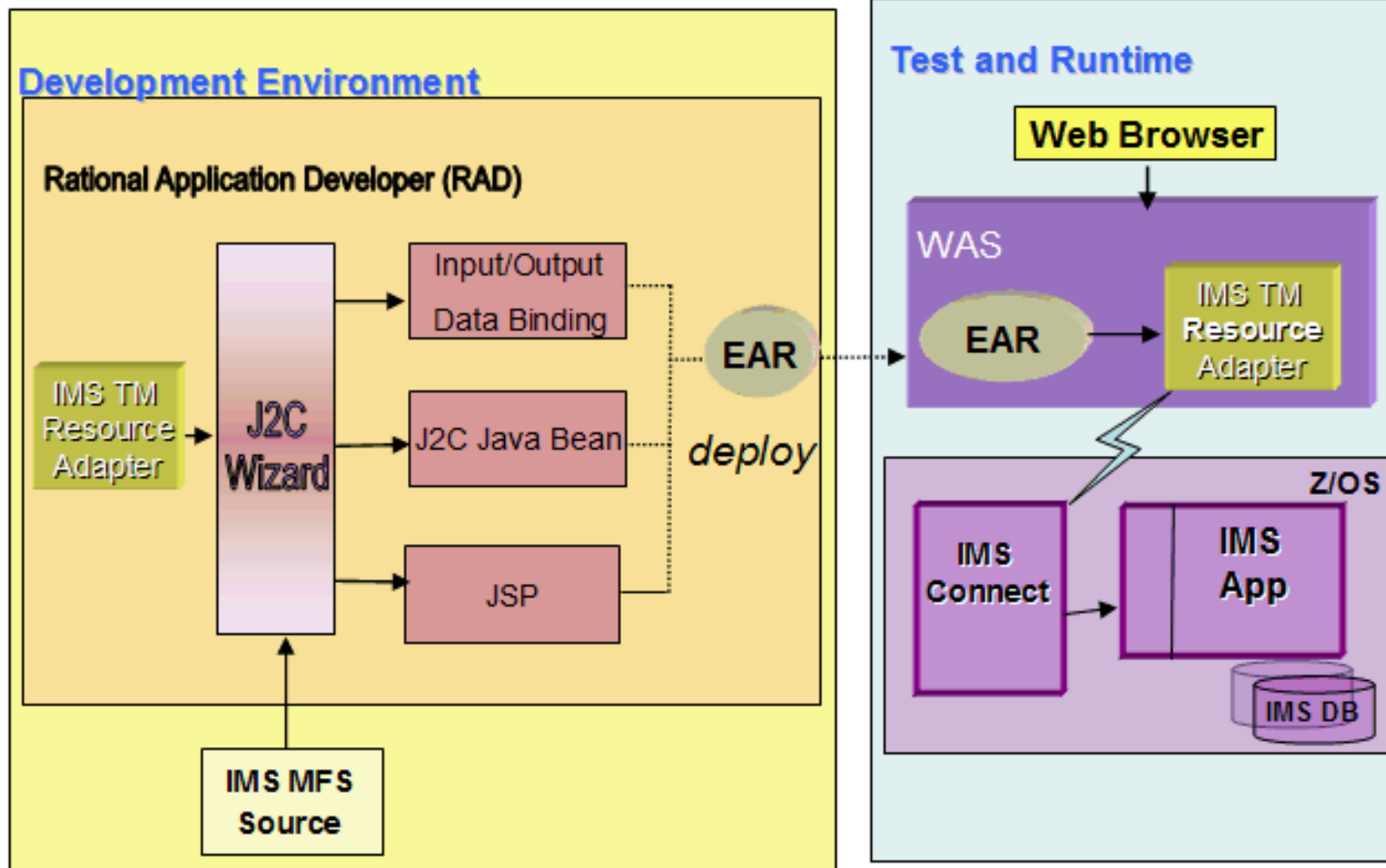


IMS MFS SOA: Solution for MFS-based transactions

- In this demo we will use **RDz** to build a project based on the input and output formats defined in the **MFS** source of an IMS transaction
 - Generate Phone Book J2C Java Bean using RAD
 - Generate Phone Book JSP files using RAD
 - Test the Phone Book service in WAS
- Once the project is created, we will reuse the existing **MFS-based** IMS business logic – without writing a single line of code - in a Web application



Development & Runtime Environments



File Edit View Favorites Tools Help

Back Forward Stop Refresh Home Search Favorites

Address **http://www.ibm.com/ims/** Go

What we offer

IMS
IBM's Premier Transaction and Database Managers for critical online applications: IMS 11, IMS 10, IMS 9, IMS 8

IMS SOA Integration Suite
IMS SOA Tools and functions for integration and on demand environments: IMS TM/DB Resource Adapters/Connectors, DLIModel Utility, IMS SOAP Gateway, IMS JAVA and IMS XML DB

IMS Connect function
Enables easier access to IMS applications and data from the Internet

IBM IMS Tools
Tools to enhance IMS performance and management

IMS Control Center
Distributed graphical user interface for IMS operations

Information Center
Centralized web access to product information

Teleconference replays available

- New IMS Features You May Missed, Apr 7 telecon
- IMS Problem Investigator: Exploring "Black Holes" of IMS Performance, Mar 17 telecon.
- Best Practices in Data Warehousing using IMS as a data store, March 10 teleconference
- Using IMS Callout Techniques to Invoke Web Services--Mar 3 Teleconference
- IMS HALDB Toolkit: Managing Your HALDB Databases without DBRC--Feb 17
- Goodbye IMS SYSGEN, Hello IMS Dynamic ResourceDefinition--Feb 3 Teleconference
- IMS and Web 2.0 Go to Work -- January 6 teleconference

News & events

News

- May 6 Telecon: Learn about COBOL and IMS Application Programming Certificate Programs
- New IMS Demos Highlight Web 2.0 Solution and J2C Applications
- SOA Software Launches Mainframe SOA Solution for IMS Transactions (PDF, 15KB)
- IMS Newsletter now available online!
- E. Sun Bank -- IMS SOA customer story
- IMS Blog
- z Journal features Most Common Q&A about IMS & SOA
- zOS Hot Topics Covers Cutting Costs with IMS (PDF, 5.94MB)
- Continued Innovation and Improvements to IMS discussed in IBM Systems Magazine
- New Redbook: Powering SOA Solutions with IMS
- Database Magazine features IMS 40th Anniversary and IMS 11
- InfoWeek features IMS 11

The world depends on IMS
→ Watch it now

IBM SYSTEM Z
MYTH VS TRUTH

New! Exploiting Your zPotential event!
Register now--6 US cities in May and June

IBM THINK **IMS** Facebook Community
IMS Facebook community
Learn more

Highlights

- Register for IMS Technology Update in Toronto, May 12; Los Angeles, June 9-10
- IMS Connectivity Enhancements, May 12 teleconference
- E. Sun Bank -- IMS SOA customer story

Resources

- IMS Customer Success Stories
- IMS demos**
- IMS Articles

Done Internet

www.ibm.com/ims



4 IMS tutorials to choose from

- The current selection of tutorials includes:
 - **IMS SOAP Gateway:** IMS app as a Web service
 - **IMS TM Resource Adapter:** J2EE Solution
 - **IMS MFS SOA:** Solution for MFS-based transactions
 - **IMS Web 2.0 Solution:** Generating an IMS feed

