

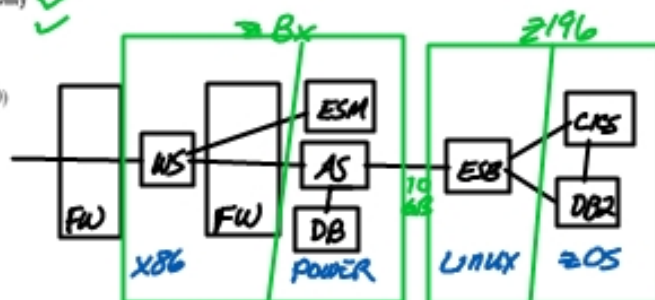
# Selecting the Right Platform

## Platform Selection Factors

- **Technical**
  - Functional requirements
    - Use cases
  - Non-functional requirements
    - Performance ✓✓✓
    - Scale ✓✓✓
    - Availability ✓✓✓
    - Manageability ✓✓✓
    - Security ✓✓✓
    - Etc.
- **Non-Technical**
  - Cost (TCA & TCO)
  - ISV support
  - Skills
  - Standards
  - Politics
  - Etc.

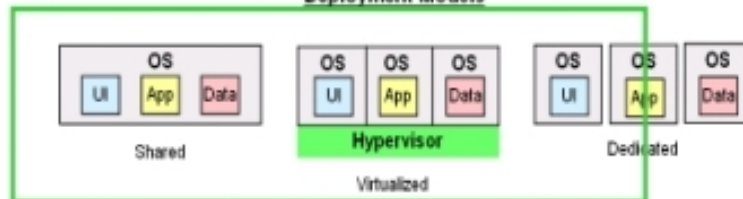
## zEnterprise System

### Sample Application



Virtualized or Dedicated SHARED

### Deployment Models



## Platform Strengths

- **x86**
  - Granularity
  - User interface
  - Commodity servers
- **POWER7**
  - Compute intensive
  - Parallel processing
  - High performance
- **System z**
  - Mixed workloads
  - High I/O
  - Scalability
  - Security

## Workload Types

- **Transaction Processing and DBs**
  - High transaction rates
  - Highest QOS
  - Shared data
- **Web and Collaboration**
  - Scale out
  - High throughput
  - Highly threaded
- **Business Applications**
  - Scalability
  - High QOS
  - Memory intensive
- **Data Warehouse and BI**
  - Compute intensive
  - Memory intensive
  - Scale out