

A decorative graphic in the top left corner consists of several overlapping circles of various colors (yellow, orange, red, purple, blue) that are divided into segments, resembling a stylized sun or a cluster of data points.

# The DevOps approach: Develop and test – demo of the Continuous Integration Solution for System z development

Speaker Name and Title

# Building a Continuous Integration for System z (CIz) Infrastructure for a DevOps Solution

## Session #5

In Session #4, we demonstrated how easy an automated continuous testing, a DevOps solution, can be in the System z environment. We showed how using continuous development and test can reduce Time-to-Market, Lower Defect Rate and Reduce Cost. Three major components of Continuous Integration for System z (CIz) are: Increasing System z resources to support unit testing, automated tooling and agility. In this session, we are going to focus on increasing System z resources through the use of Rational Development and Test (RD&T) and the virtualization of required resources through Rational Test Workbench (RTW). We will demonstrate the virtualization of a CICS DPL (Distributed Program Link) transaction in our CICS mortgage application.

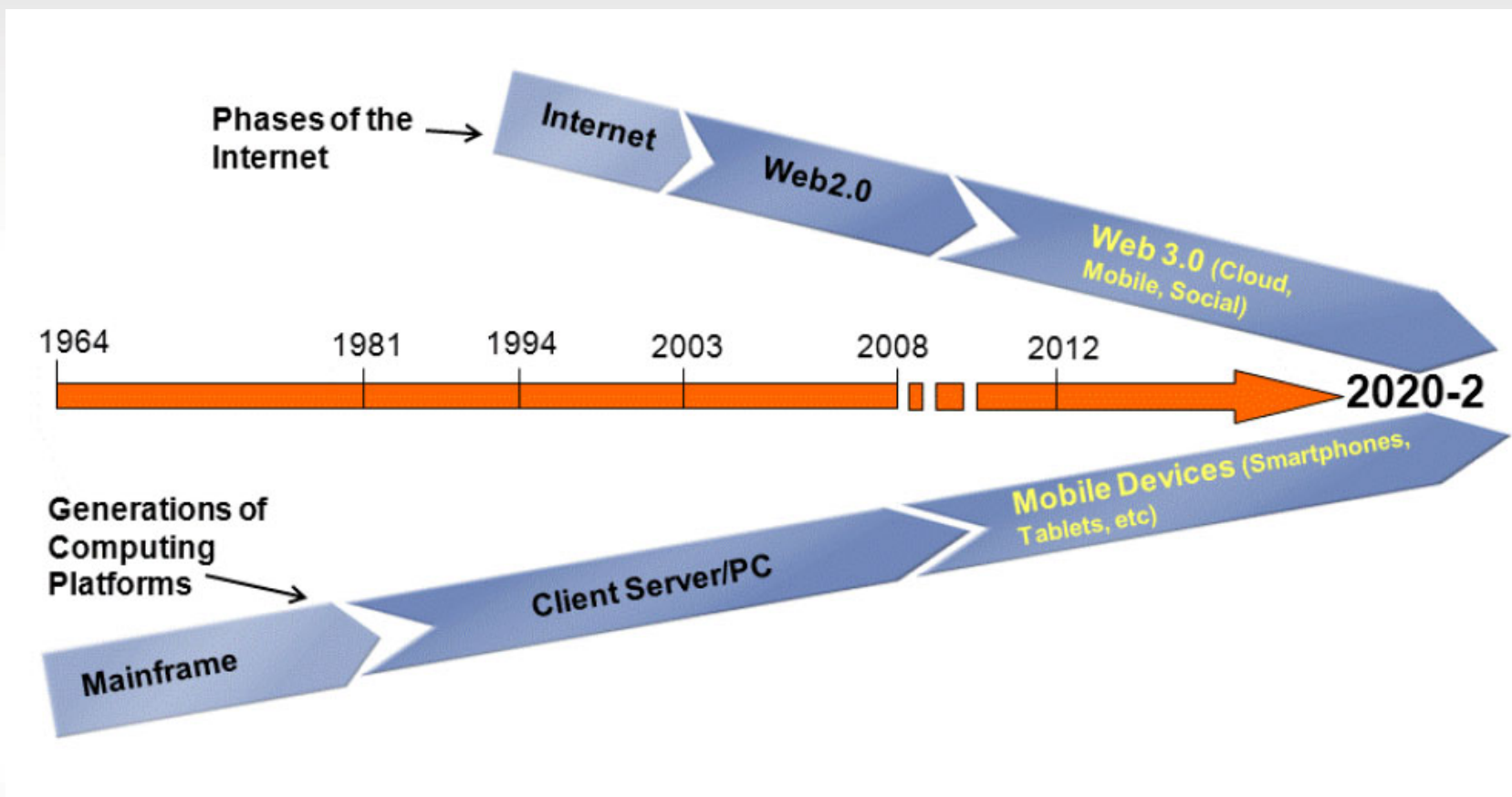


# Agenda



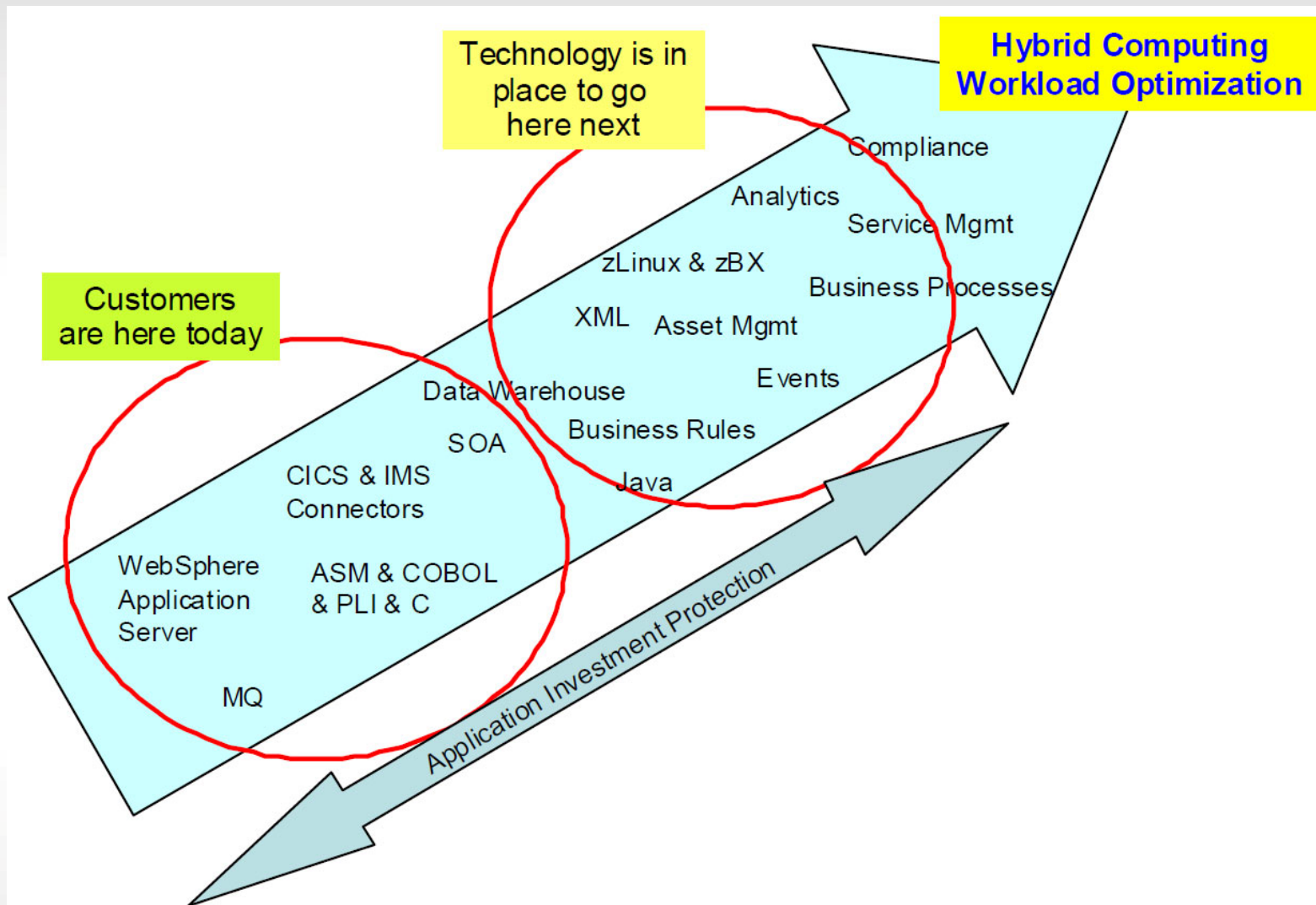
- Trigger Driving Transformation and System z Technology
- DevOps Concepts and Increasing System z Resources
- Overview of a Modern Enterprise Data Center Architecture
- CICS Integration Overview
- Clz and Rational Test Virtualization Server (RTVS)
- Demo of CICS DPL Virtualization using RD&T
  - Architecture of Mortgage Application
  - Demo
- Questions

# Trigger Driving Transformation





# Technology is in Place on System z for Business Application Modernization





# DevOps Reference Architecture



## DevOps Lifecycle

Customers



Business Owners



Development/  
Test



Operations/  
Production



*Continuous Innovation, Feedback and Improvements*

Plan and Measure

Develop and Test

Release and Deploy

Monitor and Optimize



# Challenges Meeting Business Time Pressures with Quality Software

34% of all new IT Projects deploy late\*

41%

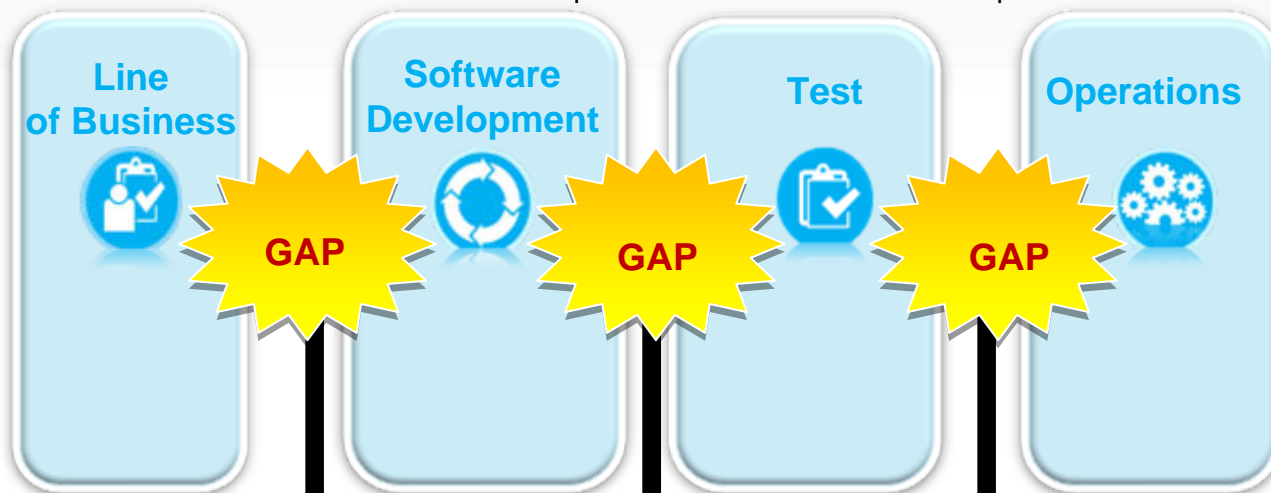
51%

45%

experience delays in integration, configuration and testing of applications

applications rolled back due to quality issues escaping into production

experience delays due to troubleshooting and fine-tuning issues in production



Up to

4-6 Weeks

to deliver a simple change

Addressed by...

Addressed by.

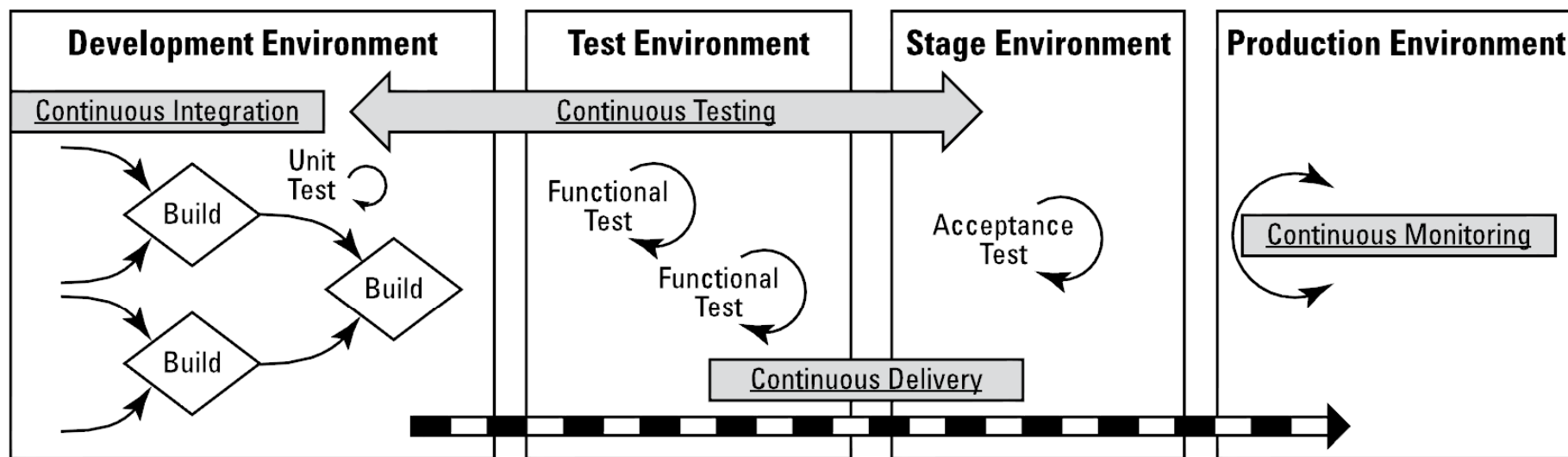
Addressed by.

**DevOps is:** →



\*Internal surveys, and commissioned studies

# Dev Ops shift-left concept moves operations earlier in the development life cycle

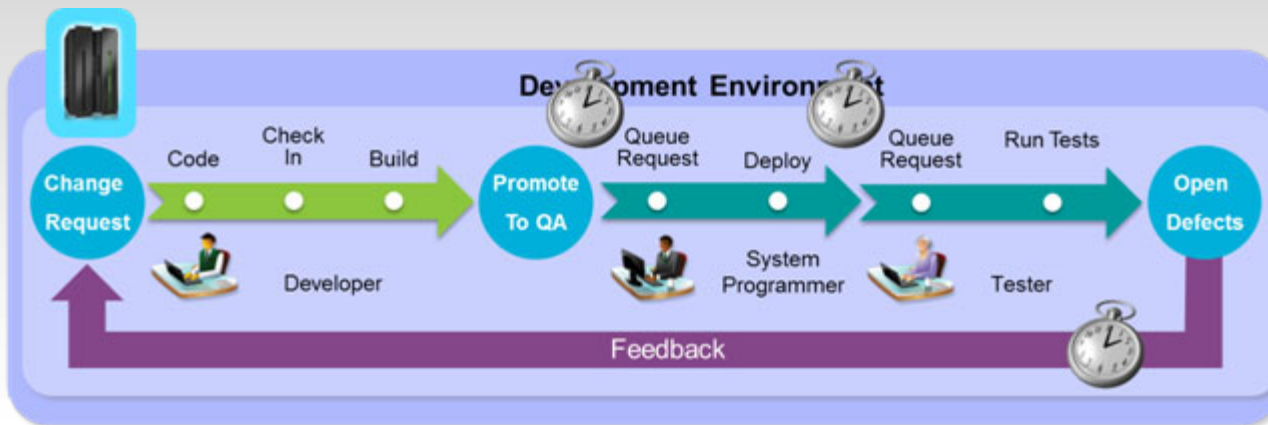


'Shift Left' – Operational Concerns

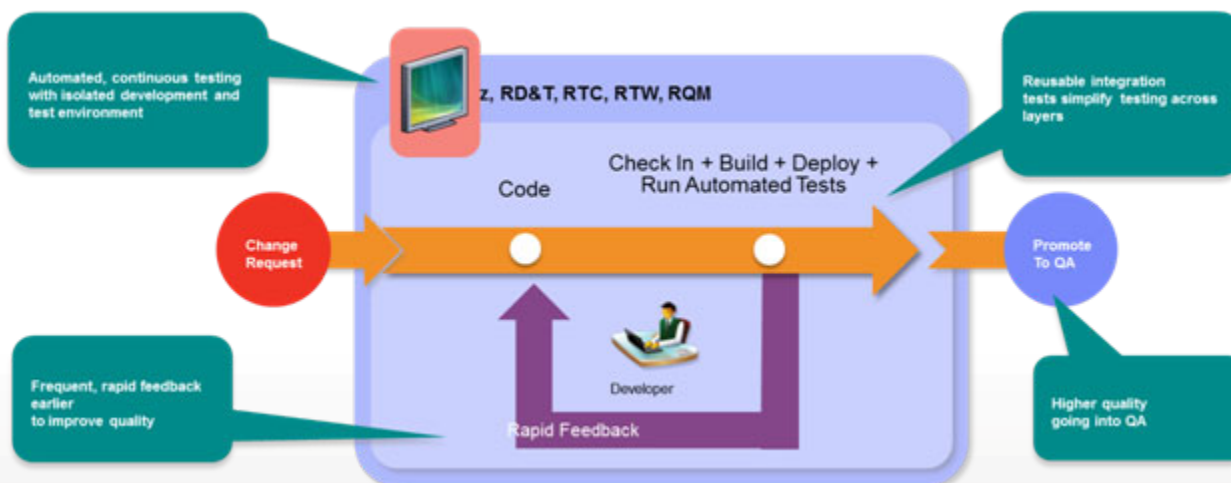




# Net Results of Clz



## Waterfall development becomes Clz



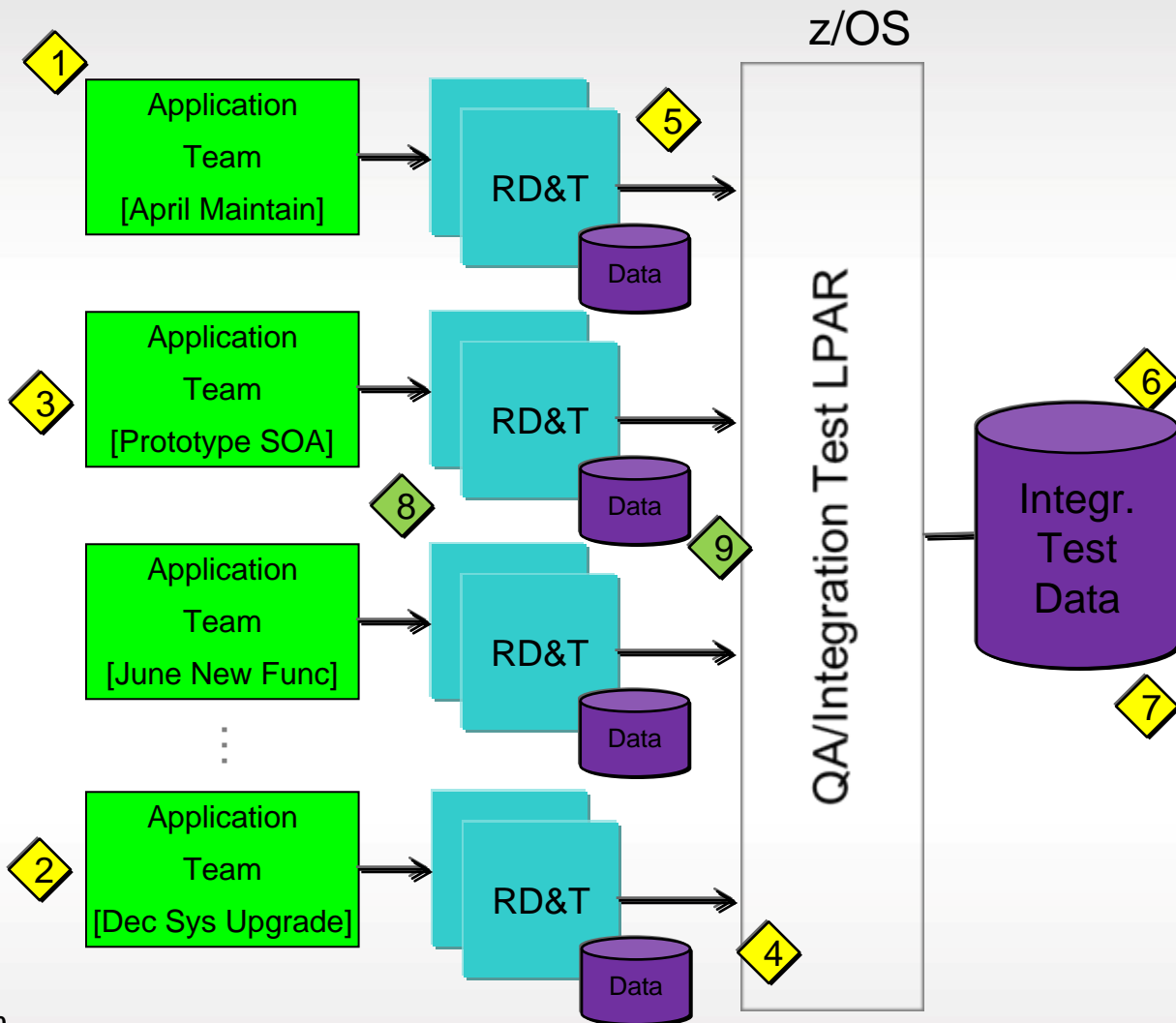


# Increase System z Resources



## Organized Testing for Flexibility and Quick Delivery

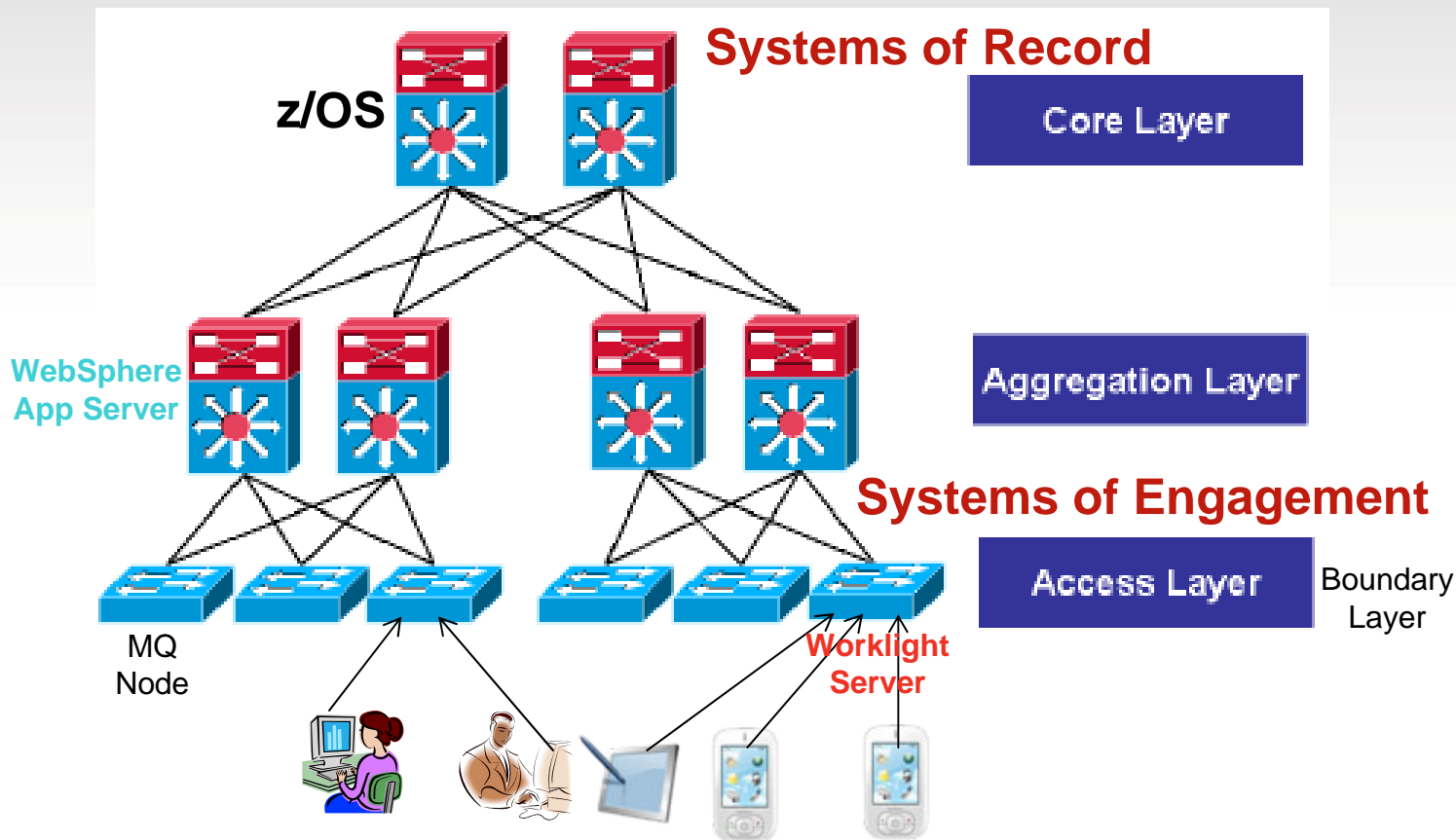
Organized by application team, horizontally sliced, dedicated resources, highly automated



### Problems Encountered

1. Teams compete for resources
2. Teams schedules cause overhead in prioritizing work
3. Lack of sandbox environment inhibits innovation and slows initial code delivery
4. Coordination of environmental changes causes bottlenecks at LPAR management
5. Coordination of release components leads to more rework and fewer releases
6. Shared test data takes time to coordinate.
7. Data is one-size-fits-all leading to over-testing

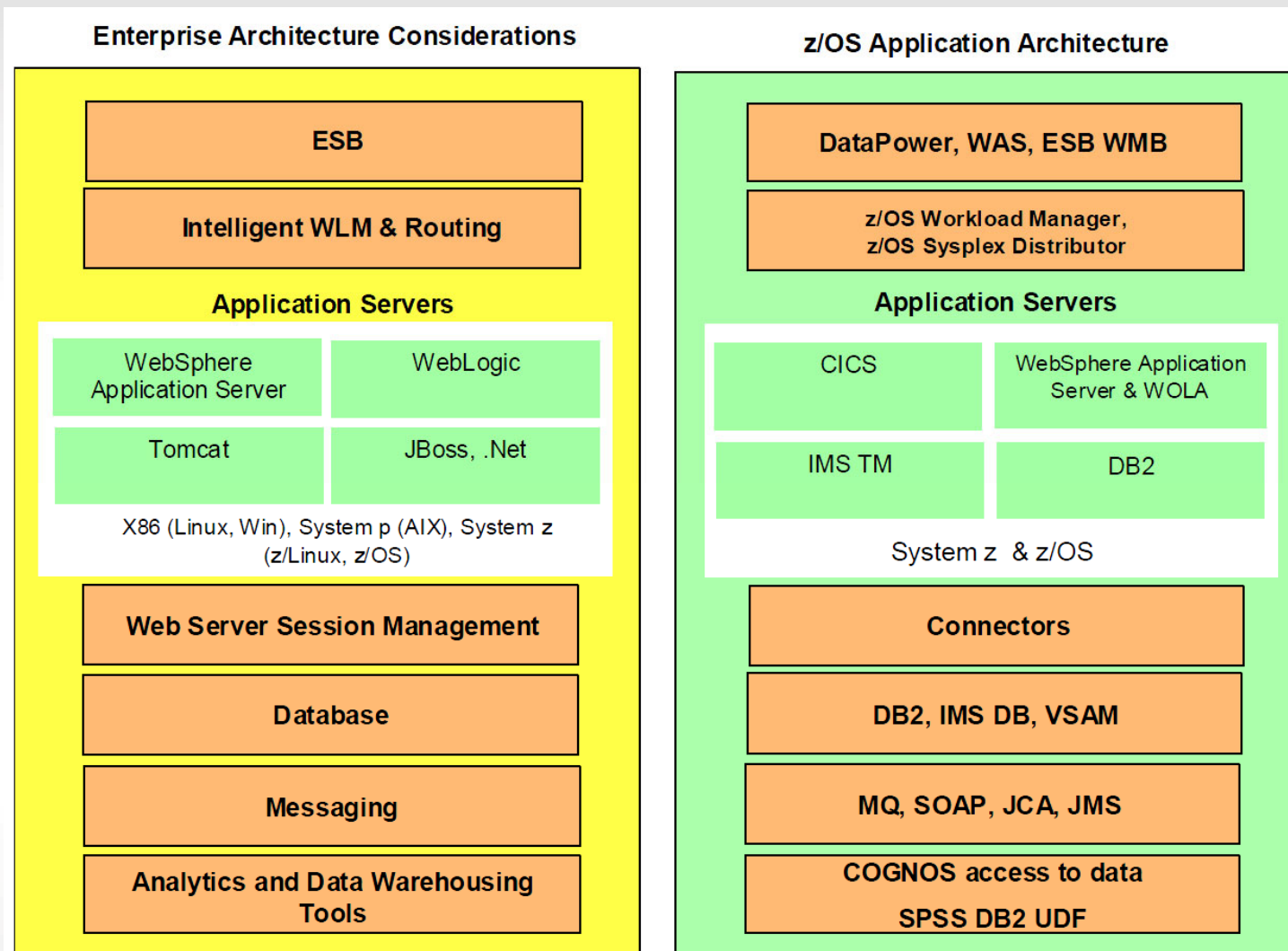
# Today's Enterprise Computing Environment



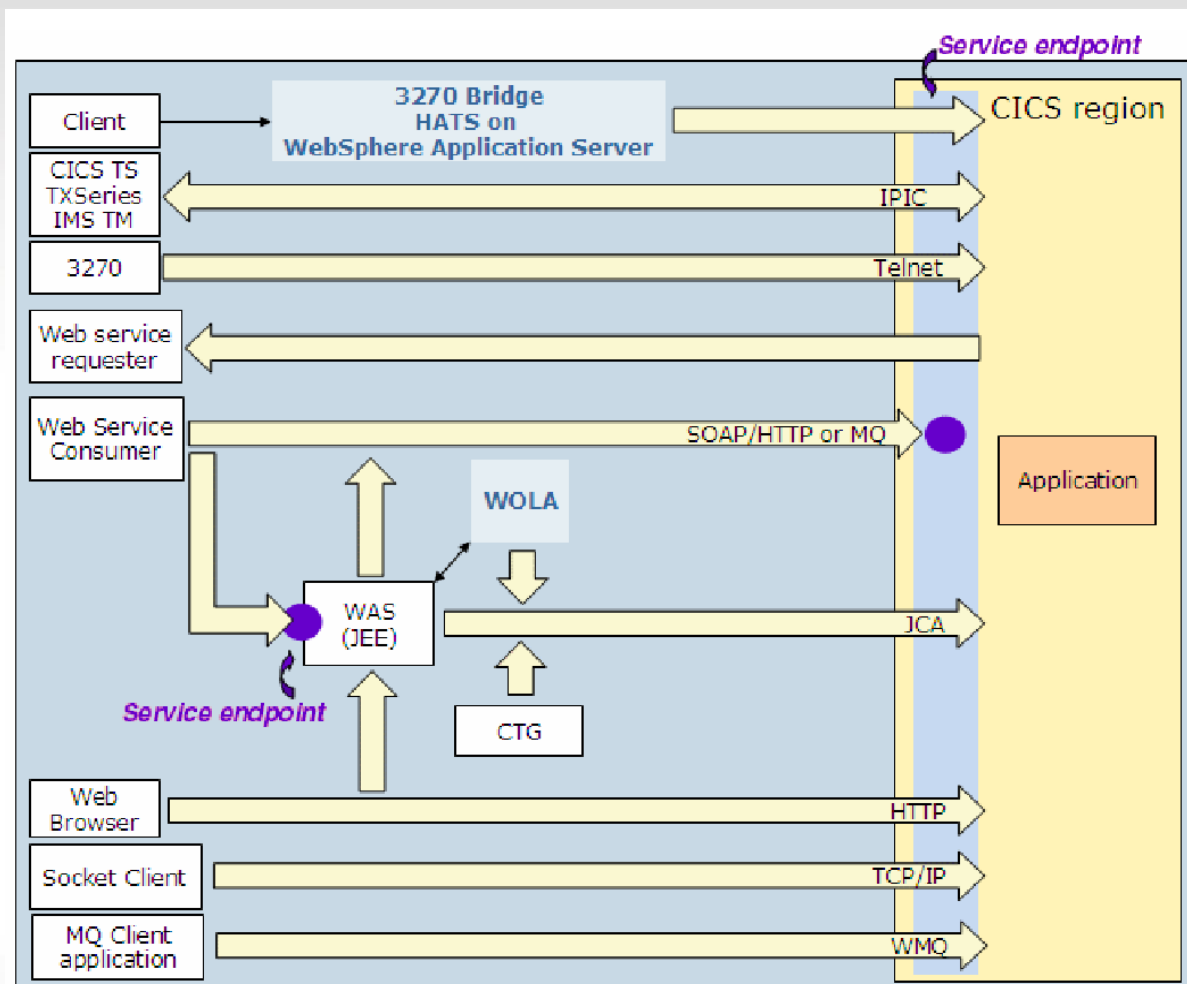
**\*\*\* DevOps is the continuous integration, test and delivery in this hybrid environment**



# Enterprise Architecture Components Mapped to Application Support Facilities

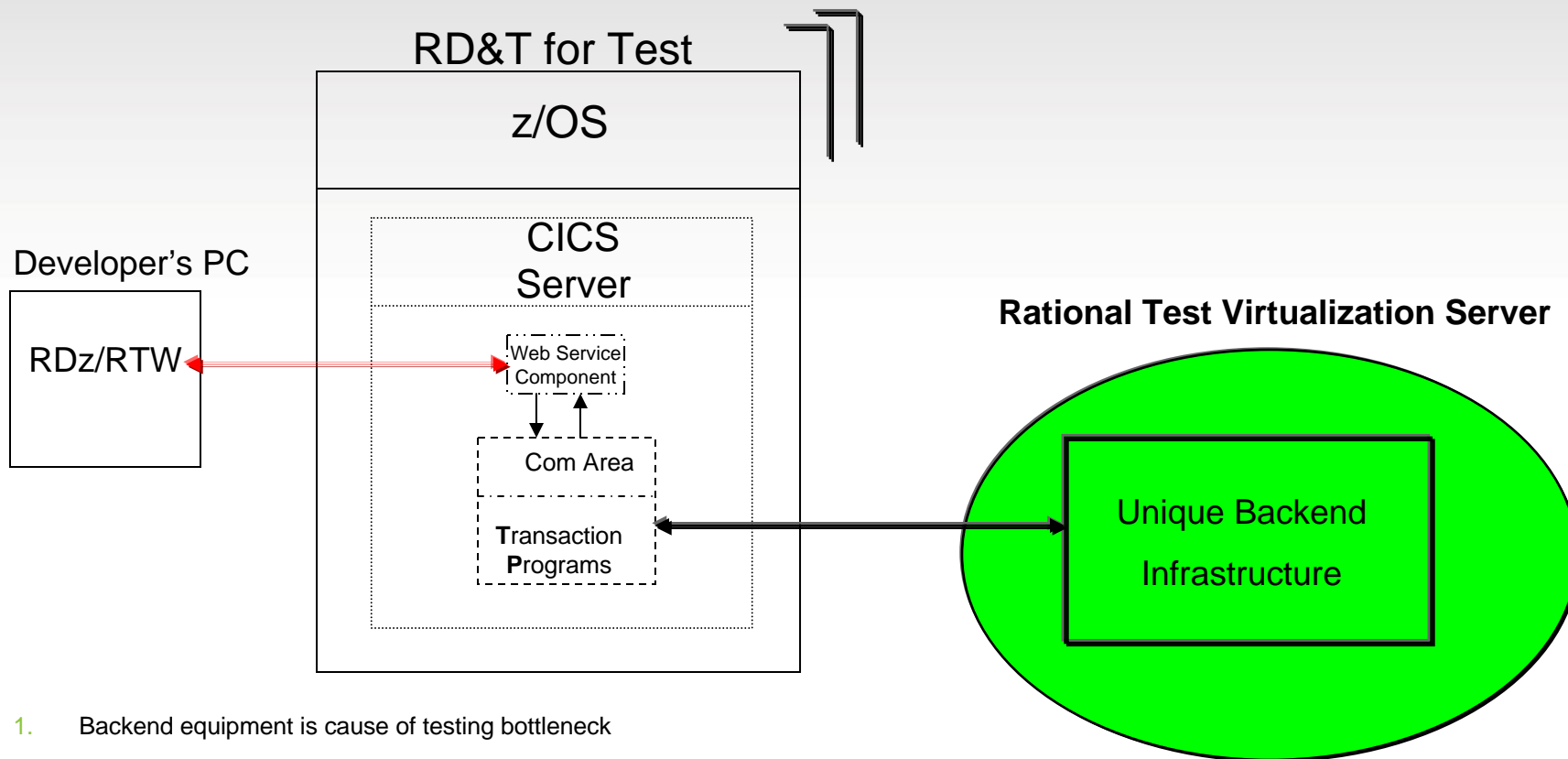


# CICS Integration Overview



**Need to support many different types connections for unit testing**

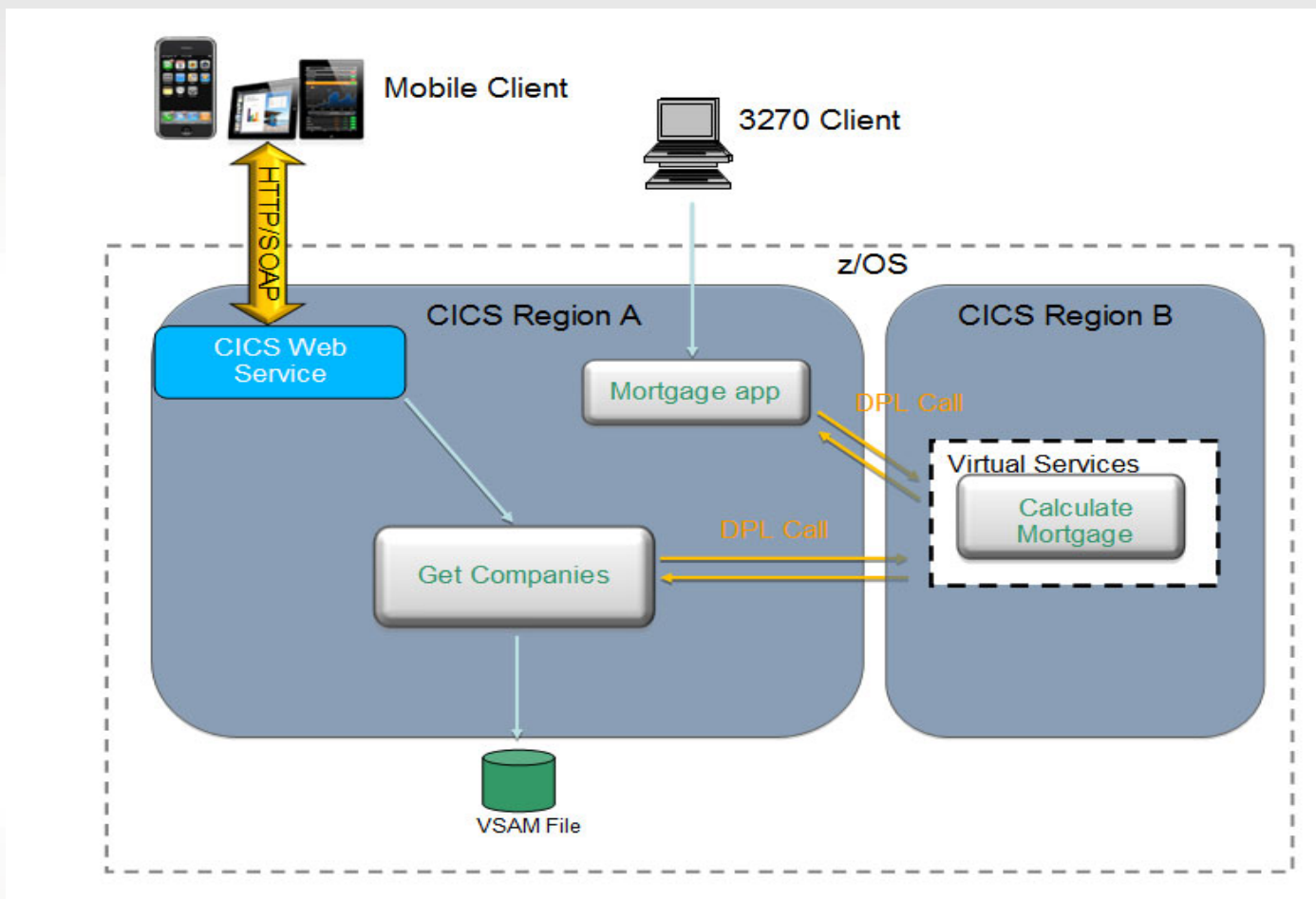
# Clz and Rational Test Virtualization Server



1. Backend equipment is cause of testing bottleneck
2. Management of equipment is difficult and requires set-up and tear-down time
3. This can be an inhibitor to testing
4. Rational Test Virtualization Server can resolve infrastructure issues



# A Sample of Using CICS DPL Virtualization







## Summary and Next Steps

# Next Steps – to help determine your best entry point

- Podcasts
  - ISDz - Construct high quality applications faster with the IBM Integrated Solution for System z Development <http://www-01.ibm.com/software/rational/podcasts/2013/#281>
  - Clz – CICS Virtualization Testing - coming soon
  - RDz - What's hot for mainframe, IBM i, and distributed applications development? <http://www-01.ibm.com/software/rational/podcasts/2013/#286>
  - IDEs for DevOps - Application Development in a DevOps Enterprise <http://www-01.ibm.com/software/rational/podcasts/2013/#288>
- Papers
  - DevOps on z whitepaper - [https://www.ibm.com/services/forms/signup.do?source=swg-NA\\_LMI&S\\_PKG=ov20523](https://www.ibm.com/services/forms/signup.do?source=swg-NA_LMI&S_PKG=ov20523)
  - ISDz Solution Brief [http://www-01.ibm.com/common/ssi/cgi-bin/ssialias?infotype=PM&subtype=SP&appname=SWGE\\_RA\\_RA\\_USEN&htmlfid=RAS14078USEN&attachment=RAS14078USEN.PDF](http://www-01.ibm.com/common/ssi/cgi-bin/ssialias?infotype=PM&subtype=SP&appname=SWGE_RA_RA_USEN&htmlfid=RAS14078USEN&attachment=RAS14078USEN.PDF)
  - Clz Solution Brief <https://www14.software.ibm.com/webapp/iwm/web/signup.do?source=swg-103GS07W>
- Screen Cast – Enterprise COBOL V5R1 - <http://redmonk.com/jgovernor/2013/09/12/a-moderated-screencast-enterprise-cobol-for-zos-5-1>
- Trial – COBOL V5R1 - <http://www-03.ibm.com/software/products/en/enterprise-cobol-developer-trial-for-zos>



# Innovate 2014

Save the date!

## Innovate2014

The IBM Technical Summit

June 1-5 Orlando, Florida



Innovate

Videos

Global Tech Summits

Resources

Social

<http://www-01.ibm.com/software/rational/innovate/>



# Questions



# Thank You

© Copyright IBM Corporation 2014. All rights reserved. The information contained in these materials is provided for informational purposes only, and is provided AS IS without warranty of any kind, express or implied. IBM shall not be responsible for any damages arising out of the use of, or otherwise related to, these materials. Nothing contained in these materials is intended to, nor shall have the effect of, creating any warranties or representations from IBM or its suppliers or licensors, or altering the terms and conditions of the applicable license agreement governing the use of IBM software. References in these materials to IBM products, programs, or services do not imply that they will be available in all countries in which IBM operates. Product release dates and/or capabilities referenced in these materials may change at any time at IBM's sole discretion based on market opportunities or other factors, and are not intended to be a commitment to future product or feature availability in any way. IBM, the IBM logo, Rational, the Rational logo, Telelogic, the Telelogic logo, and other IBM products and services are trademarks of the International Business Machines Corporation, in the United States, other countries or both. Other company, product, or service names may be trademarks or service marks of others.