

# Communications Server for AIX, Communications Server for Linux<sup>®</sup>, and Communications Server for Linux on System z



## Version 6.4

## Quick Start Guide

*This guide is intended to get you started with Communications Server for AIX, Linux, or Linux on System z V6.4.*



**National language version:** To obtain the Quick Start Guide in other languages, access the PDF files on the Quick Start CD.

### Product overview

Communication Server is a business solution that can enable you to create an integrated enterprise-wide network with a mix of operating systems and computer hardware to connect business resources over wide geographic areas.

Communications Server is the solution for companies that:

- Run multiprotocol or multiple networks
- Have existing SNA applications that they want to extend over TCP/IP networks
- Wish to consolidate SNA resources closer to the data center
- Need to support users in a variety of locations - in the office, at home or traveling

Want to:

- Improve data security over the Internet/Intranet while improving network availability
- Use Branch Extender or Enterprise Extender advanced networking technologies to implement more cost-effective networks
- Consolidate or change their backbone networks
- Provide SNA 3270 protocol access to TCP/IP users and any Java enabled Web browser
- Access data from virtually anywhere using familiar interfaces and protocols

### 1 Step 1: Access your software and documentation



If you download your product from Passport Advantage, follow the instructions in the download document available at [www.ibm.com/support/docview.wss?rs=1006&uid=swg24022144](http://www.ibm.com/support/docview.wss?rs=1006&uid=swg24022144).

This product offering includes:

#### AIX

- Quick Start CD
- IBM Communications Server for AIX Version 6.4 CD
- IBM Communications Server Remote API Clients Version 6.4 CD

#### Linux

- Quick Start CD
- IBM Communications Server for Linux Version 6.4 CD
- IBM Communications Server Remote API Clients Version 6.4 CD

#### Linux for System z

- Quick Start CD
- IBM Communications Server for Linux for System z Version 6.4 CD
- IBM Communications Server Remote API Clients Version 6.4 CD

Complete documentation for AIX, including installation instructions, is available at <http://www.ibm.com/support/docview.wss?rs=1066&uid=swg27006996>.

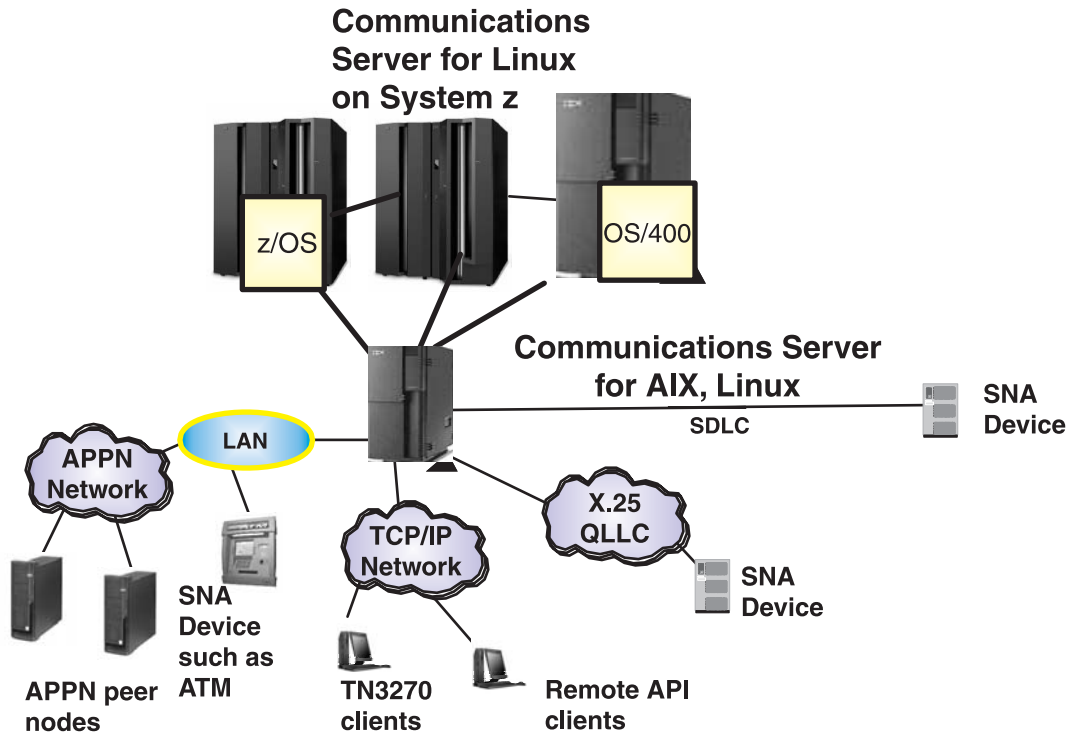
Complete documentation for Linux or Linux on System z, including installation instructions, is available at <http://www.ibm.com/support/docview.wss?rs=1066&uid=swg27005371>.

Documentation is also available in the \DOCS directory on the Quick Start CD or product CD.

For Linux, see detailed system requirements at <http://www.ibm.com/software/network/commserver/linux/sysreqs/>.

For Linux on System z, see detailed system requirements at [http://www.ibm.com/software/network/commserver/z\\_lin/sysreqs/](http://www.ibm.com/software/network/commserver/z_lin/sysreqs/).

### 3 Step 3: Review the base architecture and installation steps



See <http://www.ibm.com/support/docview.wss?rs=1006&uid=swg27005634> for more information.

#### More information



For more information, see the following resources.

For product features see:

- **AIX** - <http://www.ibm.com/software/network/commserver/aix/features/>
- **Linux** - <http://www.ibm.com/software/network/commserver/linux/features/>
- **Linux on System z** - [http://www.ibm.com/software/network/commserver/z\\_lin/features/](http://www.ibm.com/software/network/commserver/z_lin/features/)

Technical support is just a click away:

- **AIX** - <http://www.ibm.com/software/network/commserver/aix/support/>
- **Linux** - <http://www.ibm.com/software/network/commserver/linux/support/>
- **Linux on System z** - [http://www.ibm.com/software/network/commserver/z\\_lin/support/](http://www.ibm.com/software/network/commserver/z_lin/support/)

IBM Communications Server for AIX, IBM Communications Server for Linux, and IBM Communications Server for Linux on System z Version 6.4 Licensed Materials - Property of IBM. (C) Copyright IBM Corp. 1991, 2009. All Rights Reserved. U.S. Government Users Restricted Rights - Use, duplication or disclosure restricted by GSA ADP Schedule Contract with IBM Corp. IBM, Passport Advantage and System z are trademarks or registered trademarks of International Business Machines in the US, other countries, or both. Java and all Java-based trademarks are trademarks of Sun Microsystems, Inc. in the United States, other countries, or both. Linux is a trademark of Linus Torvalds. Other company, product, or service names may be trademarks or service marks of others.

Part Number: CF1WJML



Printed in Ireland