

Innovare con Tivoli e zEnterprise

Domenico Chillemi - Executive IT Specialist zChampion

Paola Monteferri - Service Management Tiger Team



IBM Software

PCTY2010



Pulse Comes to You

Service Management Integrato: le soluzioni e i progetti per guidare le aziende verso l'innovazione

23 Novembre, Milano



Agenda

- The innovation introduced by zEnterprise
- Integrated Service Management:
delivering value on the innovation of zEnterprise
- Tivoli for zEnterprise Scenarios



The innovation introduced by zEnterprise

IBM Software

PCTY2010

Pulse Comes to You



IBM zEnterprise – Best in Class Systems and Software Technologies

A system of systems that unifies IT for predictable service delivery



Unified management for a smarter system:
zEnterprise Unified Resource Manager

- Unifies management of resources, extending IBM System z® qualities of service end-to-end across workloads
- Provides platform, hardware and workload management

The world's fastest and most scalable system:
IBM zEnterprise™ 196 (z196)

- Ideal for large scale data and transaction serving and mission critical applications
- Most efficient platform for Large-scale Linux® consolidation
- Leveraging a large portfolio of z/OS® and Linux on System z applications
- Capable of massive scale up, over 50 Billion Instructions per Second (BIPS)

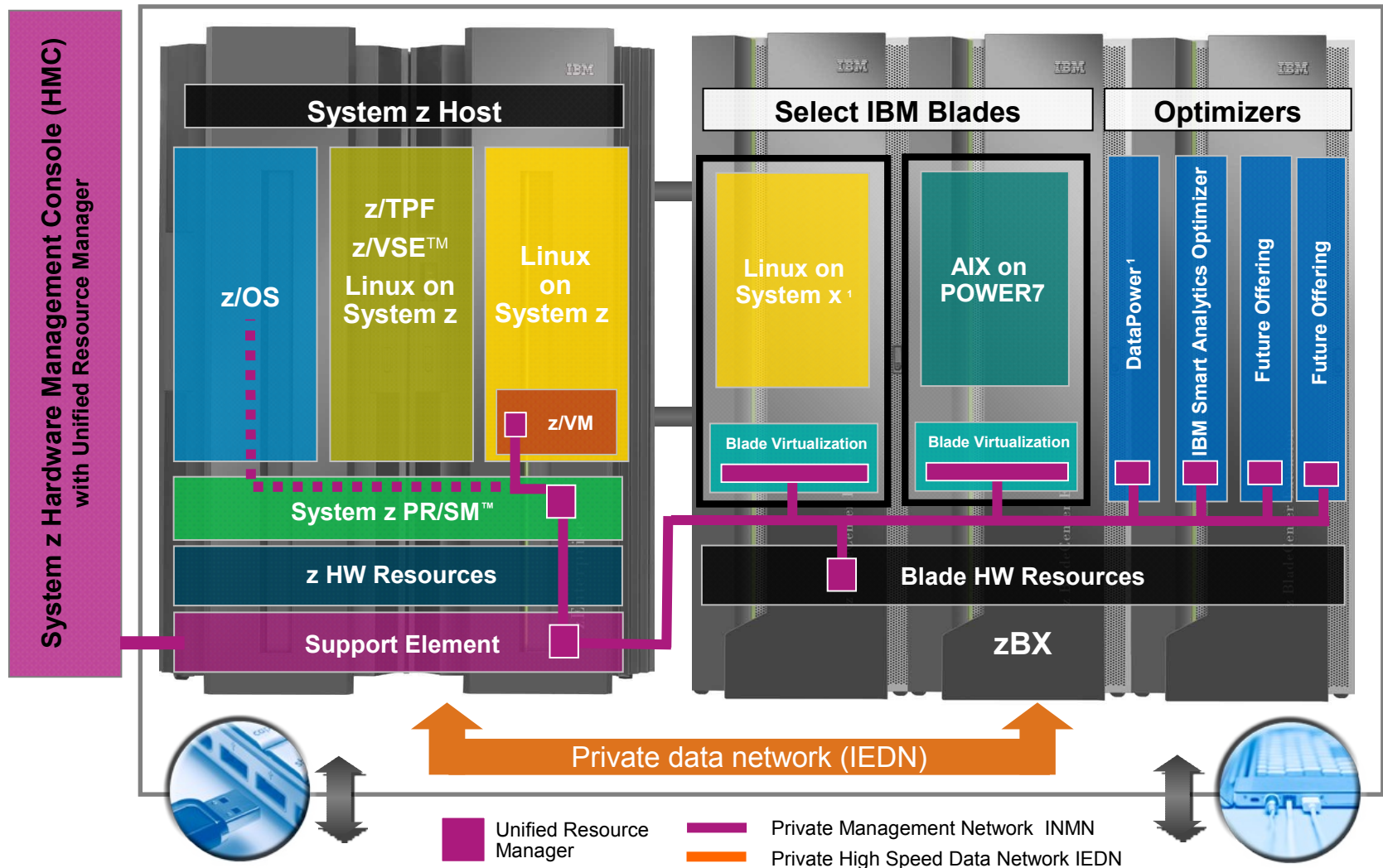


Scale out to a trillion instructions per second:
IBM zEnterprise BladeCenter® Extension (zBX)

- Selected IBM POWER7® blades and IBM x86 blades¹ for tens of thousands of AIX® and Linux applications
- High performance optimizers and appliances to accelerate time to insight and reduce cost
- Dedicated high performance private network

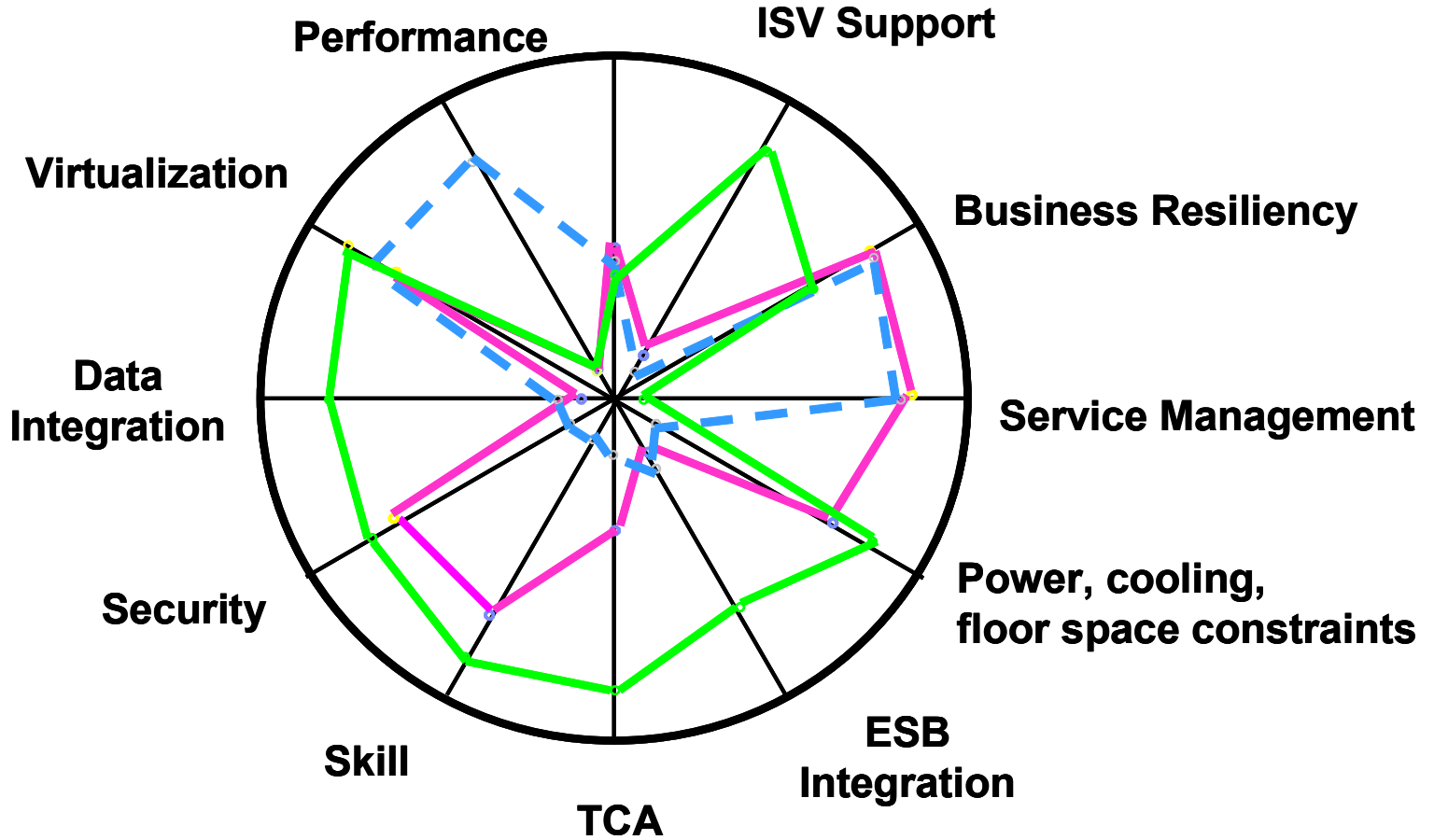
¹ All statements regarding IBM future direction and intent are subject to change or withdrawal without notice, and represents goals and objectives only.

IBM zEnterprise: A System of Systems



¹ All statements regarding IBM future direction and intent are subject to change or withdrawal without notice, and represents goals and objectives only.

Fit for Purpose approach



Scenario 1

Scenario 2

Scenario 3



Integrated Service Management: delivering value on the innovation of zEnterprise

IBM Software

PCTY2010



Pulse Comes to You

With ONE Service Management Engine Leveraging the Strengths of ONE System

Integrated Service Management

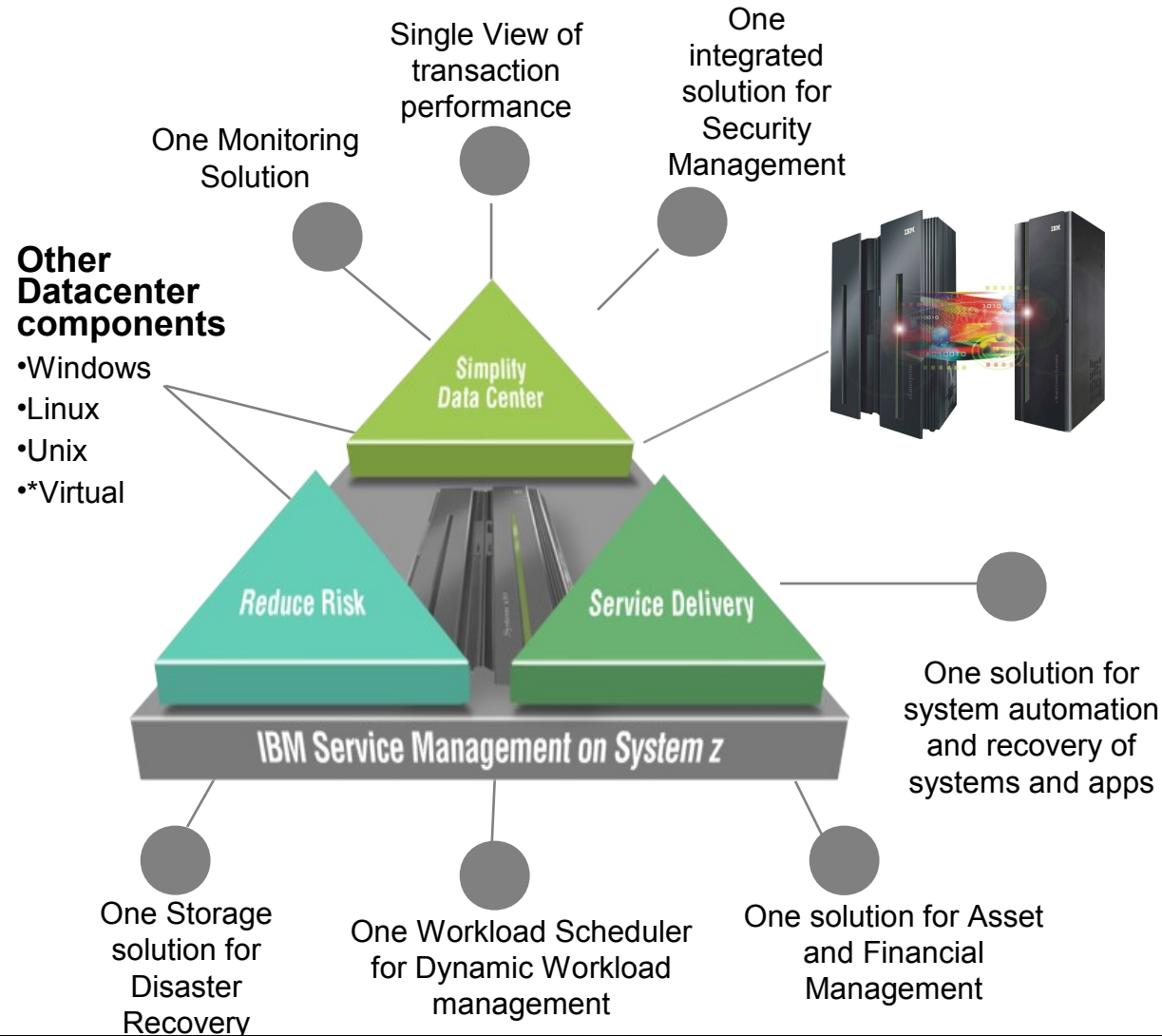


***Integrated Service Management
Visibility, control, and
automation across your
business***



- zEnterprise brings at HW level the same paradigm Tivoli was already adopting to simplify the management of a complex multiplatform environment
- ISM is uniquely architected to extend the value of zEnterprise from a cross-platform perspective by providing a single point of control
- Tivoli and System z are collaborating to define the business context and match HW and SW single management to fully realize the benefits of consolidation
- New offerings from Tivoli make it easier to acquire service management

Tivoli and zEnterprise: SAME 1 to 1 approach



IBM Advantage

- ✓ Visibility. Control. Automation™ with a *SINGLE POINT OF CONTROL* on a common infrastructure
- ✓ Consolidated view of the IT infrastructure
- ✓ Lower training and maintenance costs
- ✓ Integrated, consolidated reporting
- ✓ Asset optimization



Tivoli scenarios for zEnterprise

There are a number of Integrated Service Management Scenarios that will drive significant customer value in the zEnterprise era

Tivoli Application Management for zEnterprise

- Ability to view, monitor and manage applications for physical and virtual machines
- Alerting capabilities for early detection of costly slow downs or outages

Tivoli Asset and Financial Management for zEnterprise

- Visibility into software usage and compliance across heterogeneous resources
- Greater efficiency of resource usage
- Central view and management of requirements and costs

Tivoli Application Automation and Resilience for zEnterprise

- Automated high availability and disaster recovery operations across multi-tier environments
- Central view and management of critical business processes

Tivoli Security and Compliance Management for zEnterprise

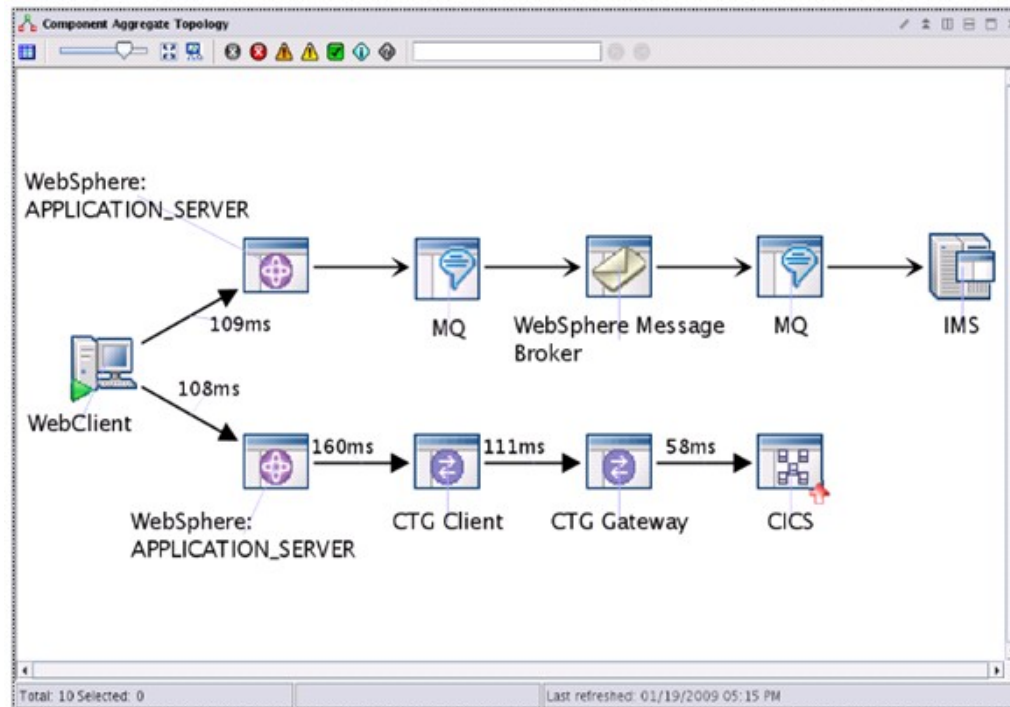
- Security and compliance spread across heterogeneous resources
- Island of security efficiently managed
- End to end vulnerability highly lowered

Enable innovation and maximize performance with real-time service visibility and intelligence

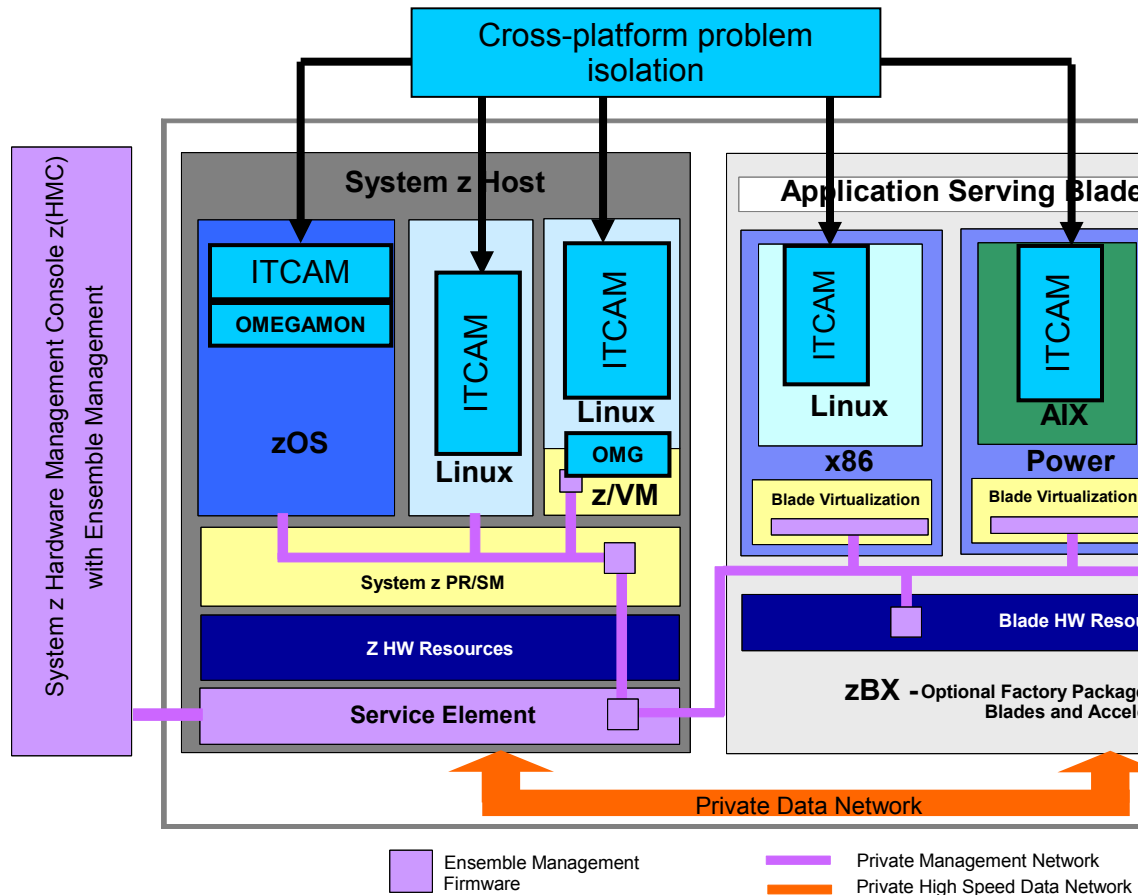
Tivoli Application Management for zEnterprise

For customers who have deployed critical **business service application workload** such as SAP or Core Banking to their zEnterprise environment and who need **rapid problem isolation and resolution** to maintain business service levels, the Tivoli

Application Performance Management scenario provides a **true end-to-end transaction breakdown across AIX, Linux and z/OS environments**, along with industry-leading integration to deep-dive problem resolution tools.



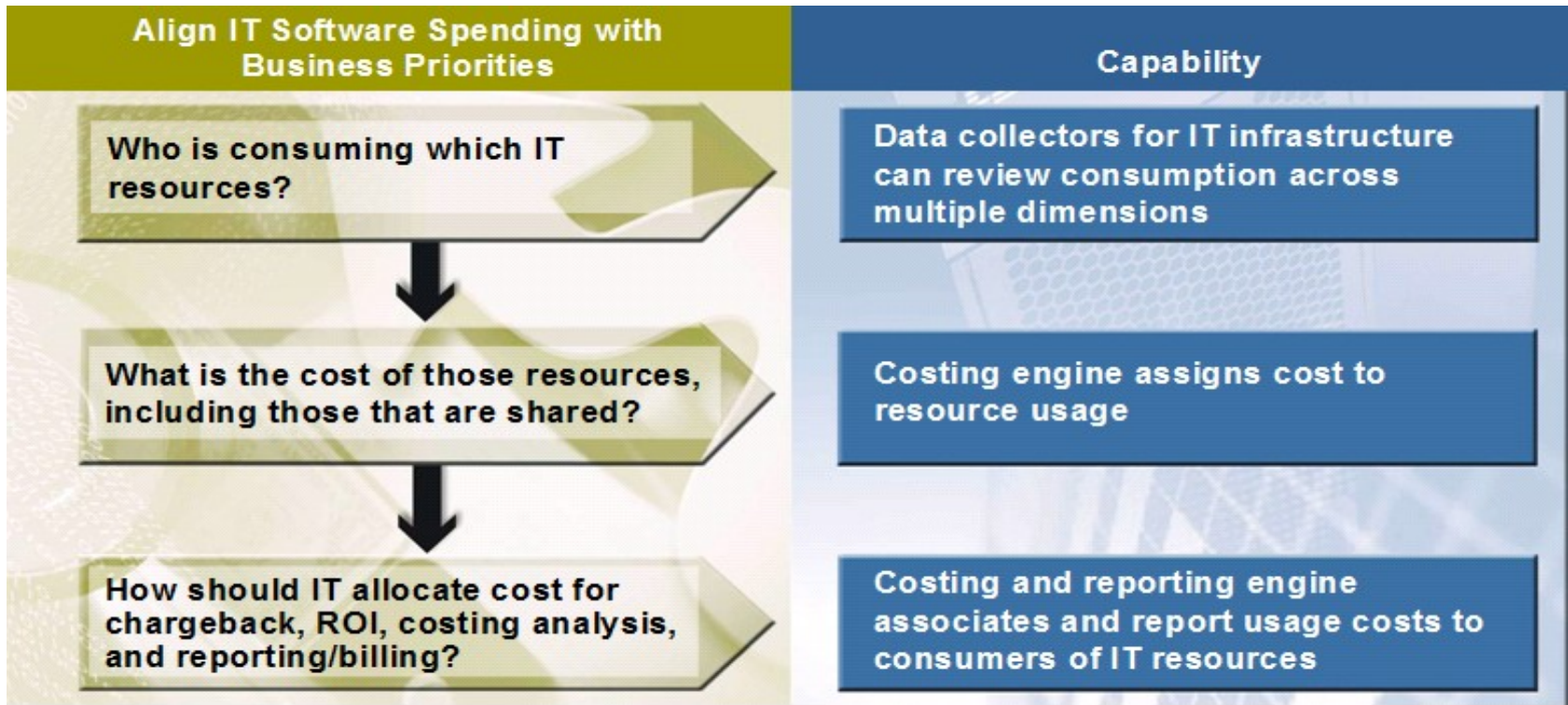
End-to-end Application Management



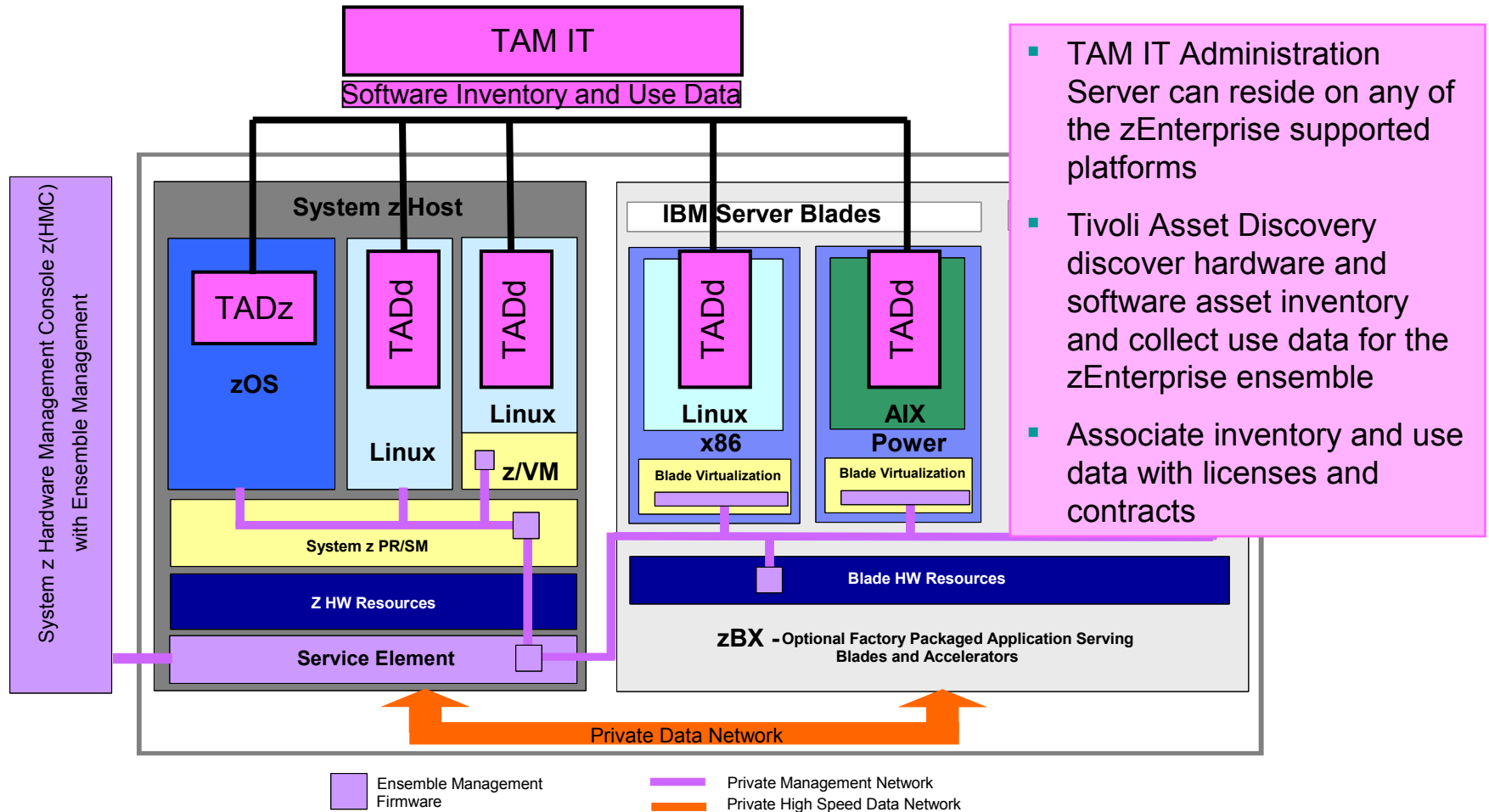
- Cross-platform application performance from a single UI
- Discover, isolate, diagnose and take action to ensure application performance meets SLAs
- Visualize transaction paths and connections with automatically generated transaction topologies
- Provide End to End view of response time across the zEnterprise ensemble
- Quickly identifies and isolates performance problems
- Launch-in-context to deep-dive tools speeds MTTR

Tivoli Asset and Financial Management for zEnterprise

For clients who need to measure the **costs of business services**, including resource usage, software and vendor contracts, Tivoli Asset and Financial Management provides the **visibility into consumption** by resource type and **transforms that data into clear, fair and auditable reports** for cost recovery or client billing and prepares clients for software license audits.

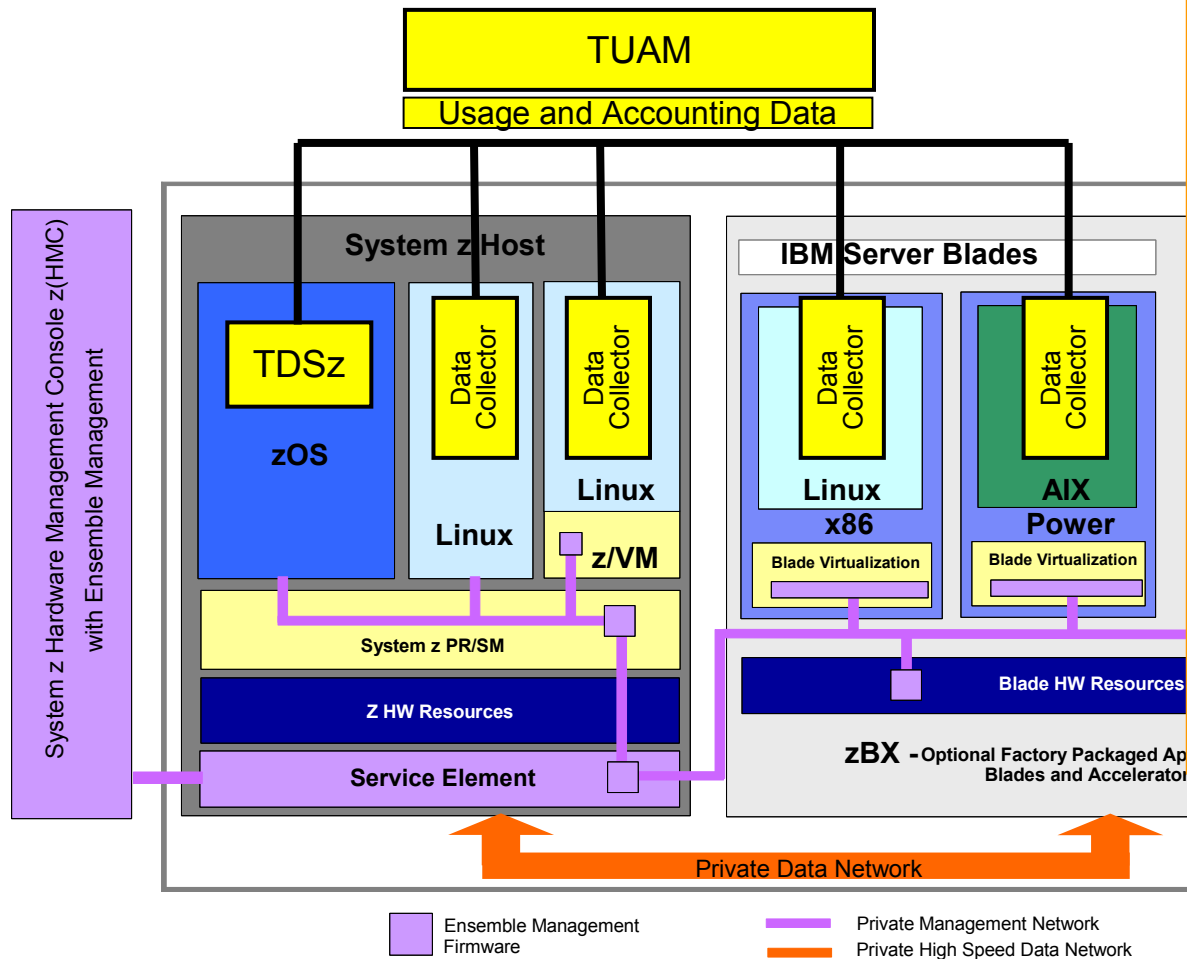


End-to end Software Asset and License Management



- TAM IT Administration Server can reside on any of the zEnterprise supported platforms
- Tivoli Asset Discovery discover hardware and software asset inventory and collect use data for the zEnterprise ensemble
- Associate inventory and use data with licenses and contracts

End-to-end IT Resource Usage Accounting Management

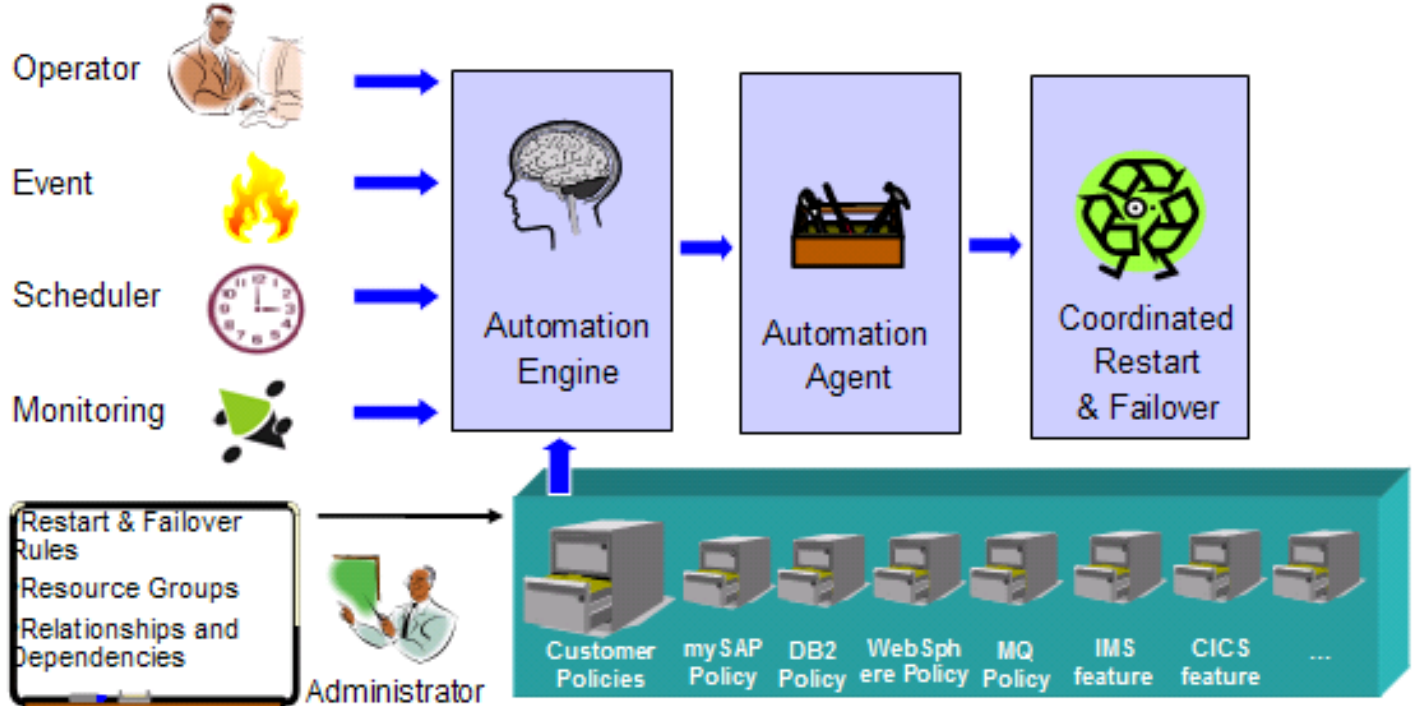


- TUAM Administration Server can reside on any of the zEnterprise supported platforms
- Measures, analyzes, reports and bills the utilization and costs of different computing resources and services – including zEnterprise ensemble, Cloud, storage, networks, databases, virtualized environments, energy, messaging etc
- Align IT with business goals by revealing who consumes which resources

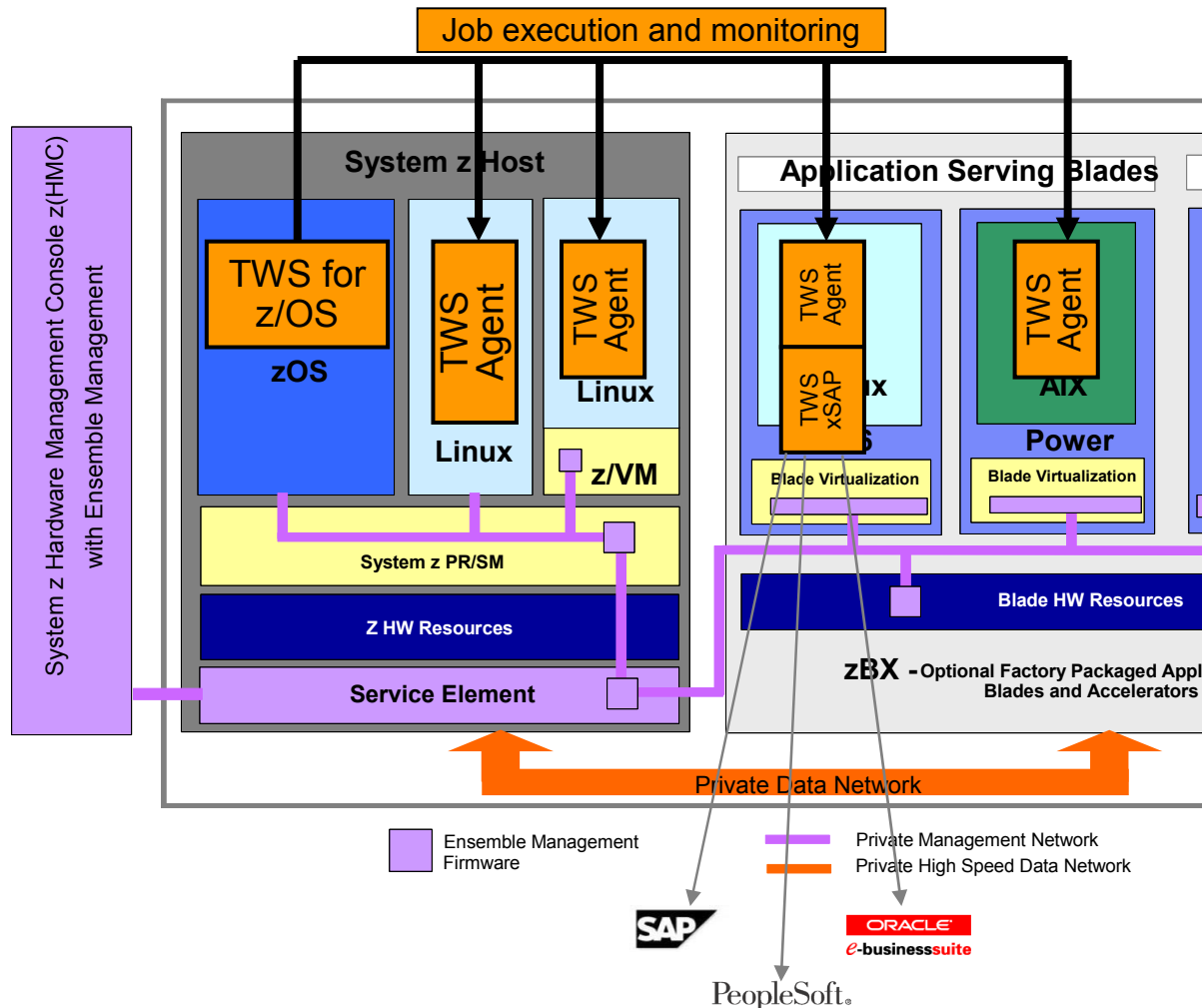


Tivoli Application Automation and Resilience for zEnterprise

For customers who have deployed critical **business service application workload** such as SAP ERP or Internet Banking to their zEnterprise environment and who need similar **automation** functionality that they have long enjoyed for z/OS applications, the Tivoli Application Automation and Resilience scenario provides **end-to-end automation** to reduce manual effort and risk of error

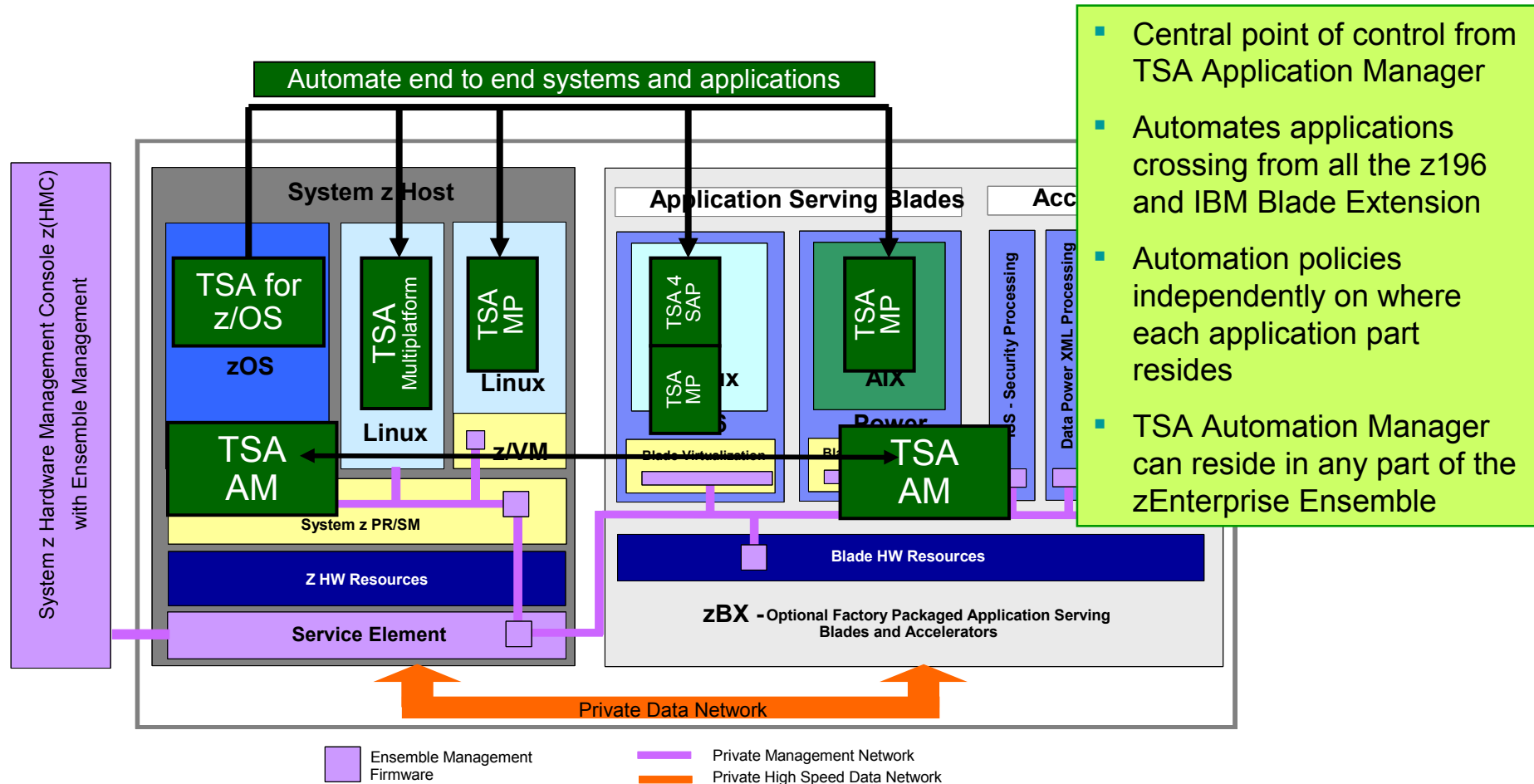


End-to-end Scheduling Management



- Central point of control from z/OS
- Manages execution on z/OS and distributed VMs
- Workload Manager classify job executions and apply workload policies
- Leverage Broker technology to dynamically distribute job exactions on pool of distributed VMs
- Broker receives load balancing and other policies from the user and WLM asses the best workload distribution

End-to-end Automation Management

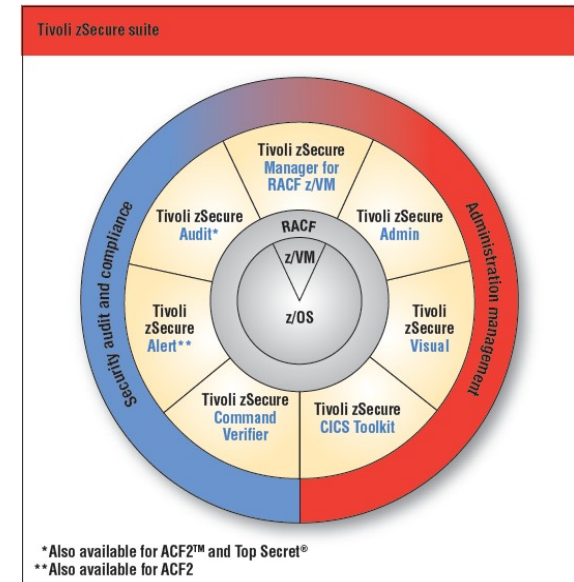


- Central point of control from TSA Application Manager
- Automates applications crossing from all the z196 and IBM Blade Extension
- Automation policies independently on where each application part resides
- TSA Automation Manager can reside in any part of the zEnterprise Ensemble

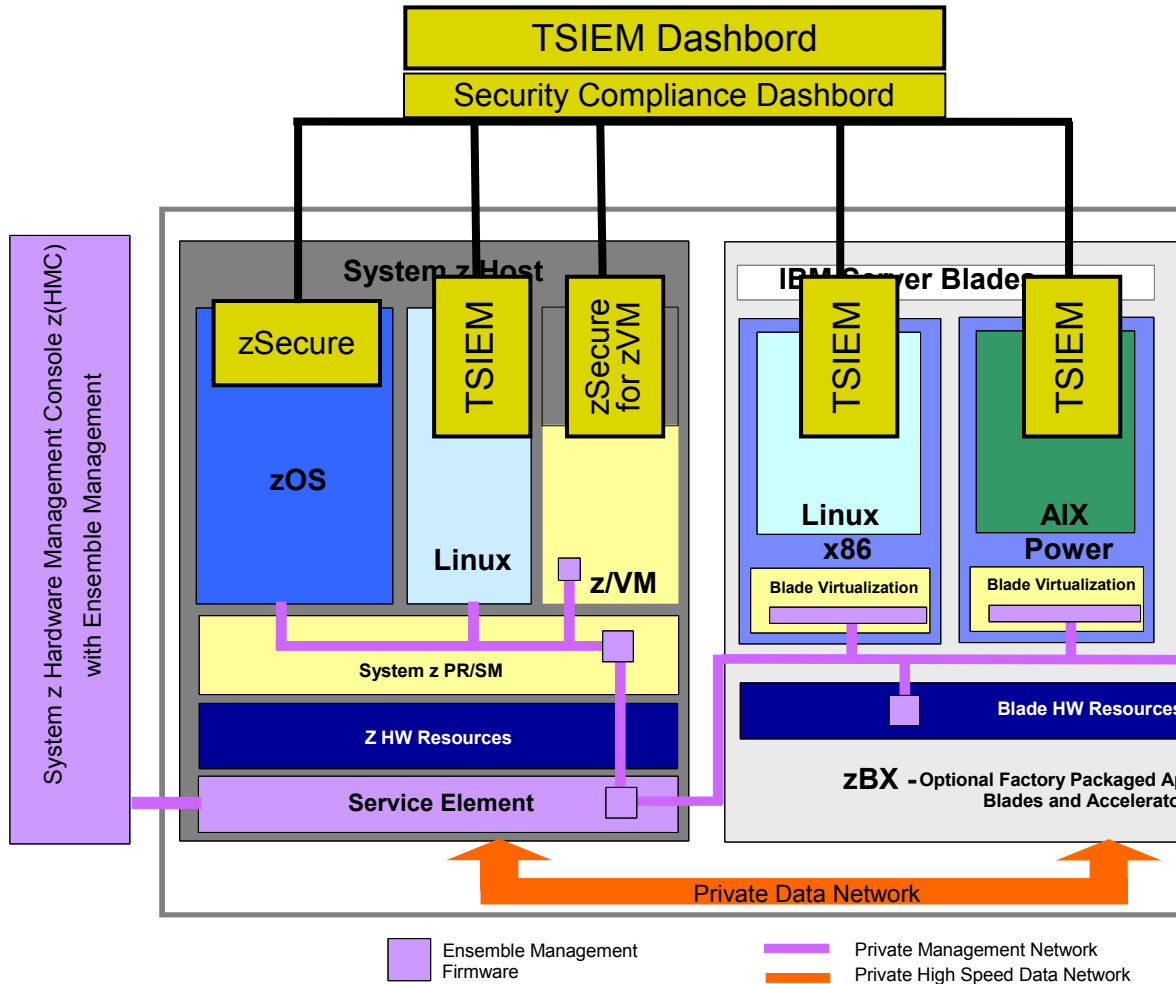
Tivoli Security and Compliance for zEnterprise

For customers who have deployed critical business service application workload on hybrid environment **automated security auditing and reporting** provides comprehensive **end-to end auditing** that can detect and report security events and exposures on mainframe and distributed servers using automated log capabilities and providing **compliance dashboard** summaries

- zSecure continues to grow in parallel with System z Announcements
 - new **zSecure Suite** V1R12 just announced with alignment with z/OS release
- End to End compliance management with
 - **TSIEM** (Tivoli Security Information and Event Management)
 - Tivoli Security Management for z/OS



End-to-end Security and Compliance Management



- Compliance Dashboard can reside on the zEnterprise supported platforms
- zSecure automates routine administrative tasks to help reduce costs and complexity on z/OS and zVM systems
- Tivoli Security Information Event Manager, with zSecure, offers log management reporting at zEnterprise level
- TSIEM provide automated solution for audit and compliance management for the Enterprise ensemble



Tivoli e zEnterprise: conclusioni

- IBM ha progettato la propria piattaforma di Integrated Service Management per semplificare ed automatizzare l'infrastruttura IT, sia essa un computer ibrido come zEnterprise o un Data Center composto da server fisici e virtuali multiplatforma fornendo un punto di controllo unificato
- Le soluzioni Tivoli massimizzano i benefici derivanti dalla nuova architettura zEnterprise apportando Visibilità, Controllo e Automazione alle applicazioni con l'utilizzo di un singolo punto di gestione e l'ottenimento di una vista consolidata dell'infrastruttura IT
- L'adozione di Tivoli offre numerosi vantaggi di tipo operativo, di business ed organizzativi grazie alla integrazione e alla gestione di carichi di lavoro misti come se fossero un singolo sistema governato da un unico processo di business in grado di rispondere tempestivamente al cambiamento
- Sono disponibili da subito varie offerte che indirizzano tutte le principali tematiche per la gestione delle applicazioni critiche nel mondo zEnterprise ed end-to end, quali l'automazione e la resilienza, il monitoraggio, la gestione degli asset informatici, la contabilità IT, la sicurezza e la conformità.

धन्यवाद

Hindi

多謝

Traditional Chinese

ขอบคุณ

Thai

Спасибо

Russian

Gracias

Spanish

شكراً

Arabic

Thank

English

You

Obrigado

Portuguese and Brazilian

Grazie

Italian

多谢

Simplified Chinese

Danke

German

Merci

French

நன்றி

Tamil

ありがとうございました

Japanese

감사합니다

Korean