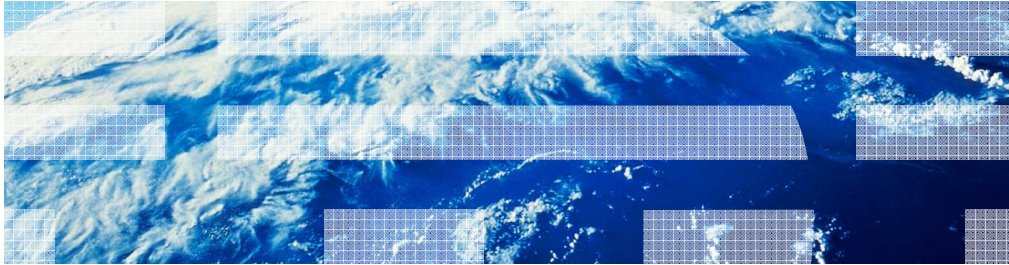


# z/OS V1R13

## zFS: Internal restart



## Session objectives

- zFS internal restart
  - An availability improvement for zFS internal failures

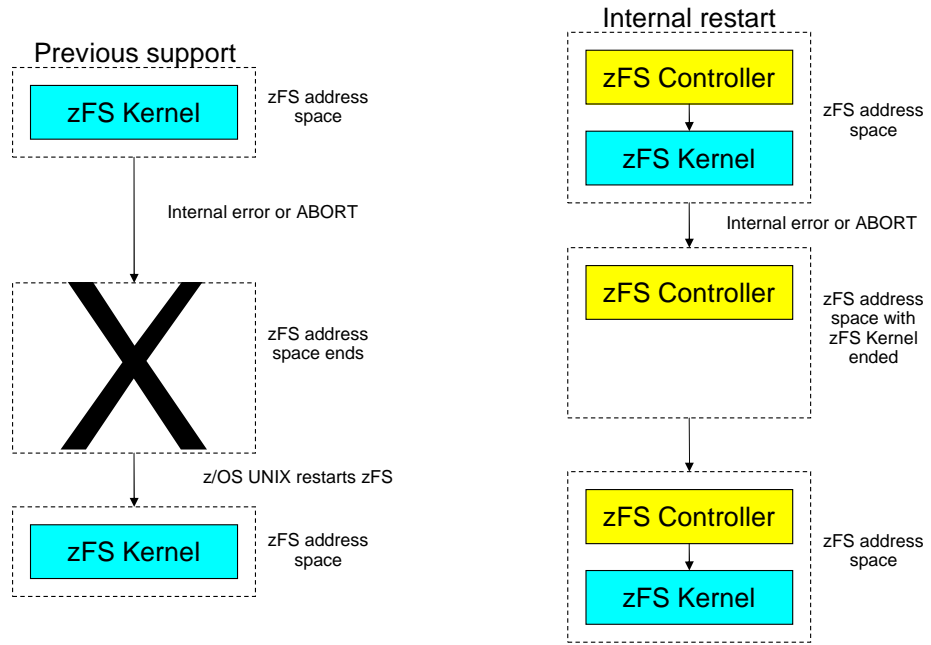
## Overview

- zFS internal restart
- Problem statement / need addressed
  - Some zFS internal failures require aborting zFS and having z/OS® UNIX® restart zFS. This clears the failure but can cause some file systems to be unmounted.
- Solution
  - Restructure zFS so that internally, a controller task attaches the zFS kernel task. When an internal failure occurs in the zFS kernel, the zFS controller task can stop and restart the zFS kernel and internally remount the zFS file systems.
- Benefit / value
  - zFS can recover from internal failures without losing mounts
  - zFS time to recovery is improved

## Usage and invocation

- zFS internal restart
  - zFS internal restart occurs automatically if zFS detects an internal failure
  - zFS ownership of zFS sysplex-aware file systems can change during internal restart
  - As before, applications may see failures as a result of zFS restart
  - As in previous releases, zFS restart can be explicitly invoked to resolve hangs involving zFS by way of the operator command `MODIFY ZFS,ABORT`. But now in R13, it will attempt an internal restart.
  - You can query the number of zFS internal restarts that have occurred since zFS was started by using the `MODIFY ZFS,QUERY,STATUS` command

## Usage and invocation: zFS internal restart



5

zFS: Internal restart

© 2012 IBM Corporation

## Interactions and dependencies

- Software dependencies
  - None
- Hardware dependencies
  - None
- Exploiters
  - Any users of zFS in R13

## Migration and coexistence considerations

- None

## Installation

- Changes in zFS installation
  - None
- Commands changed
  - MODIFY ZFS,HANGBREAK now does MODIFY ZFS,ABORT



## Session summary

- zFS internal restart
  - An availability improvement for zFS internal failures

---

## Appendix - References

- Publications
  - z/OS Distributed File Service zSeries® File System Administration (SC24-5989)
  - z/OS Distributed File Service Messages and Codes (SC24-5917)



## Trademarks, disclaimer, and copyright information

IBM, the IBM logo, ibm.com, z/OS, and zSeries are trademarks or registered trademarks of International Business Machines Corp., registered in many jurisdictions worldwide. Other product and service names might be trademarks of IBM or other companies. A current list of other IBM trademarks is available on the web at "[Copyright and trademark information](http://www.ibm.com/legal/copytrade.shtml)" at <http://www.ibm.com/legal/copytrade.shtml>

THE INFORMATION CONTAINED IN THIS PRESENTATION IS PROVIDED FOR INFORMATIONAL PURPOSES ONLY. Other company, product, or service names may be trademarks or service marks of others.

THE INFORMATION CONTAINED IN THIS PRESENTATION IS PROVIDED FOR INFORMATIONAL PURPOSES ONLY. WHILE EFFORTS WERE MADE TO VERIFY THE COMPLETENESS AND ACCURACY OF THE INFORMATION CONTAINED IN THIS PRESENTATION, IT IS PROVIDED "AS IS" WITHOUT WARRANTY OF ANY KIND, EXPRESS OR IMPLIED. IN ADDITION, THIS INFORMATION IS BASED ON IBM'S CURRENT PRODUCT PLANS AND STRATEGY, WHICH ARE SUBJECT TO CHANGE BY IBM WITHOUT NOTICE. IBM SHALL NOT BE RESPONSIBLE FOR ANY DAMAGES ARISING OUT OF THE USE OF, OR OTHERWISE RELATED TO, THIS PRESENTATION OR ANY OTHER DOCUMENTATION. NOTHING CONTAINED IN THIS PRESENTATION IS INTENDED TO, NOR SHALL HAVE THE EFFECT OF, CREATING ANY WARRANTIES OR REPRESENTATIONS FROM IBM (OR ITS SUPPLIERS OR LICENSORS), OR ALTERING THE TERMS AND CONDITIONS OF ANY AGREEMENT OR LICENSE GOVERNING THE USE OF IBM PRODUCTS OR SOFTWARE.

© Copyright International Business Machines Corporation 2012. All rights reserved.