



IBM IMS SOAP Gateway Version 9.1

Contents

Chapter 1. IMS SOAP Gateway 1

| | |
|--|---|
| IMS SOAP Gateway Deployment Utility | 1 |
| IMS SOAP Gateway Administrative Console. | 2 |
| IMS SOAP Gateway server | 2 |

Chapter 2. Installing and verifying the installation 5

| | |
|---|---|
| System requirements for IMS SOAP Gateway | 5 |
| Installing the IMS SOAP Gateway | 5 |
| Configuring IMS OTMA and IMS Connect for IMS SOAP Gateway | 6 |
| Setting up the user exit routine for IMS Connect | 6 |
| Verifying the installation of IMS SOAP Gateway | 7 |
| Removing IMS SOAP Gateway | 8 |

Chapter 3. Enabling an IMS application as a Web service 11

| | |
|---|----|
| Creating the WSDL file | 11 |
| Generating a WSDL file using WebSphere Developer for zSeries | 11 |
| Manually creating the WSDL file | 13 |
| Modifying WSDL files that are generated by WebSphere Studio Application Developer | 13 |
| WSDL file example | 16 |
| Modifying the IMS application | 19 |
| Data format of messages | 19 |
| Deploying a Web service with IMS SOAP Gateway | 24 |
| Specifying the connection properties of the connection bundle | 25 |
| Specifying the correlator properties for a Web service | 26 |
| Deploying the WSDL file | 27 |

Chapter 4. Writing the client application 29

| | |
|---|----|
| Generating the Java proxy code. | 29 |
|---|----|

Chapter 5. Administrating IMS SOAP Gateway 31

| | |
|--|----|
| Starting the IMS SOAP Gateway server | 31 |
| Stopping IMS SOAP Gateway server | 31 |
| Starting the IMS SOAP Gateway Administrative Console. | 32 |
| Setting up the connections and correlator file properties for Web services | 33 |
| Viewing Deployed Web services | 34 |

| | |
|---|----|
| Accessing the WSDL file of a deployed Web service | 34 |
| Changing deployed Web services | 34 |
| Undeploying a Web service | 35 |
| Changing port number for IMS SOAP Gateway server | 36 |

Chapter 6. Troubleshooting 37

| | |
|--|----|
| Tips for diagnosing Installation Verification Program errors | 37 |
| Diagnosing runtime errors | 38 |
| Tracing | 38 |
| Changing the log file | 39 |
| Messages for IMS SOAP Gateway | 39 |

Chapter 7. Reference for the deployment utility 51

| | |
|--|----|
| Deployment Utility in Interactive Mode | 51 |
| Task 1: Enable your IMS application as Web service from start to finish | 51 |
| Task 2: Start IMS SOAP Gateway | 52 |
| Task 3: Stop IMS SOAP Gateway | 52 |
| Task 4: Update IMS SOAP Gateway properties | 52 |
| Task 5: Create, Update or View correlator properties for a Web service | 54 |
| Task 6: Create, Update, Delete or View the connection bundle for a Web service | 55 |
| Task 7: Deploy the WSDL file | 56 |
| Task 8: Generate Java client code | 57 |
| Task 9: Undeploy a Web service | 57 |
| Task 10: Exit the IMS SOAP Gateway Deployment Utility | 57 |
| Deployment Utility Expert Mode | 57 |
| -start :Start an IMS SOAP Gateway server | 58 |
| -stop :Stop an IMS SOAP Gateway server | 58 |
| -prop :Set IMS SOAP Gateway properties | 59 |
| -corr :Create or update the correlator file | 60 |
| -conn :Create, update, or delete a connection bundle | 63 |
| -deploy :Deploy the WSDL file | 64 |
| -genclient :Generate Java client code | 65 |
| -undeploy :Undeploy a Web service | 66 |

Chapter 8. Notices 67

Chapter 9. Trademarks 69

Chapter 1. IMS SOAP Gateway

IBM® IMS™ SOAP Gateway is a Web services solution that enables IMS applications to inter-operate outside of the IMS environment through Simple Object Access Protocol (SOAP) to provide and request services independently of platform, environment, application language, or programming model.

The IMS SOAP Gateway can assist an organization in the following areas:

- Enterprise modernization
- Application development
- Business-to-Business (B2B) integration
- Service-oriented architecture (SOA) implementation

IMS SOAP Gateway allows you to enable your IMS application to become a Web service. Different types of client applications, such as Microsoft® .NET, Java™, and third-party applications, can submit SOAP requests into IMS to drive the business logic of the IMS applications.

IMS SOAP Gateway is compliant with the industry standards for Web Services, including SOAP/HTTP 1.1 and WSDL 1.1. This allows your IMS assets to inter-operate openly with various types of applications.

Related reference

“System requirements for IMS SOAP Gateway” on page 5

IMS SOAP Gateway Version 9.1 runs on Microsoft Windows® XP, Windows 2000 and AIX. IMS SOAP Gateway requires IMS Version 9 with integrated IMS Connect.

IMS SOAP Gateway Deployment Utility

The IMS SOAP Gateway Deployment Utility allows you to set up properties and create runtime code that IMS SOAP Gateway uses to enable IMS applications as Web services.

With the IMS SOAP Gateway Deployment Utility, you can:

- Deploy and enable your IMS application to be accessible as Web Services
- Start and stop IMS SOAP Gateway
- Set up the connection and correlation properties for a Web Service
- Generate Java client code to access a Web Service
- Configure properties for the IMS SOAP Gateway server
- Undeploy Web Services

You can use the IMS SOAP Gateway Deployment Utility in two ways:

- **Interactive mode:** Utilize the IMS SOAP Gateway Deployment Utility commands with an interactive user interface which walks you through each command needed to complete a selected task. Interactive mode steps you through tasks by prompting you for input.
- **Expert mode:** Utilize the IMS SOAP Gateway Deployment Utility commands on the Windows command line. The deployment utility allows you to perform tasks in one step by entering commands on the Windows command line with parameters.

Related reference

“Deployment Utility Expert Mode” on page 57

The IMS SOAP Gateway Deployment Utility in Expert Mode includes commands that allow you to specify all the input values to perform tasks for IMS SOAP Gateway in one instruction.

“Deployment Utility in Interactive Mode” on page 51

IMS SOAP Gateway Deployment Utility Interactive Mode provides an interactive user interface which walks you through each command needed to complete a selected task. Interactive mode steps you through tasks by prompting you for input.

IMS SOAP Gateway Administrative Console

The IMS SOAP Gateway Administrative Console lists the deployed Web services when the server is started. Each item in the list is a link to the Web service’s WSDL (Web service description language) file.

Related tasks

“Deploying the WSDL file” on page 27

Deploying the WSDL is the last step for deploying a Web service to IMS SOAP Gateway.

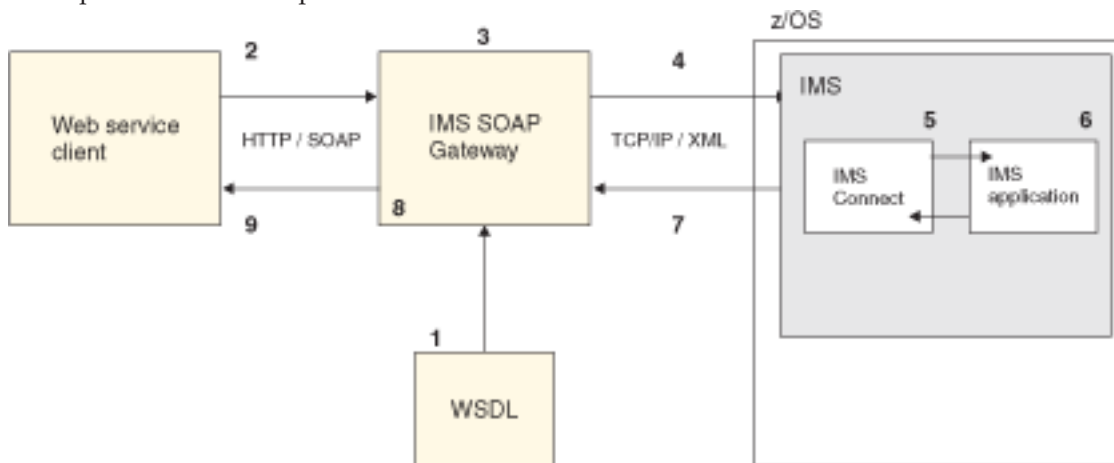
“Starting the IMS SOAP Gateway Administrative Console” on page 32

The Administrative Console is opened easily for both Windows and AIX. Use the Administrative Console to view your deployed Web services.

IMS SOAP Gateway server

The IMS SOAP Gateway server processes SOAP messages. It receives the SOAP message from the client application, converts it to an IMS input message, and sends it to IMS. It then receives the output message from IMS and converts it to a SOAP message to send back to the client.

The following figure shows the IMS SOAP Gateway runtime environment. The numbers in the figure correspond to the description that follows.



1. A Web Service interface for the IMS application is created and deployed to IMS SOAP Gateway. IMS SOAP Gateway provides a URL address for this IMS application such that it can be Gatewayable as a Web Service using HTTP communication.
2. The client application sends a SOAP message to IMS SOAP Gateway. The SOAP message contains the input data for the IMS message wrapped in XML. The client application uses the URL that is specified in the WSDL file.
3. IMS SOAP Gateway receives the SOAP message from the client. It processes the header information of the SOAP message and retrieves the appropriate correlation and connection information for this input request. It then optionally adds the LLZZ and transaction code information to the XML-formatted input message data.
4. IMS SOAP Gateway sends the input message to IMS Connect by using TCP/IP.
5. IMS Connect then sends the transaction request to IMS.
6. IMS runs the transaction. IMS application retrieves the input message data, which is in XML format. It processes the input XML data and then builds the transaction output data in XML format as well.

7. IMS adds the LLZZ prefix to the output message and sends it through IMS Connect back to IMS SOAP Gateway.
8. IMS SOAP Gateway gets the transaction output and optionally removes the LLZZ value from the message. It then builds a SOAP message with the transaction output.
9. IMS SOAP Gateway sends the SOAP response message, which contains the output message, back to the client application.

Related tasks

“Starting the IMS SOAP Gateway server” on page 31

There are several ways to start the IMS SOAP Gateway server including using the deployment utility in either Interactive or Expert mode.

Chapter 2. Installing and verifying the installation

This section provides installation and installation verification information.

System requirements for IMS SOAP Gateway

IMS SOAP Gateway Version 9.1 runs on Microsoft Windows XP, Windows 2000 and AIX. IMS SOAP Gateway requires IMS Version 9 with integrated IMS Connect.

Operating system requirements

IMS SOAP Gateway runs on Microsoft Windows XP, Windows 2000 and AIX .

IMS requirements

IMS SOAP Gateway requires IMS Version 9 with integrated IMS Connect.

Related tasks

“Installing the IMS SOAP Gateway”

IBM IMS SOAP Gateway is easily installed and downloaded from the IMS SOAP Gateway Web site.

“Verifying the installation of IMS SOAP Gateway” on page 7

To verify the installation of IMS SOAP Gateway, use the IMS SOAP Gateway Installation Verification Program (IVP).

“Configuring IMS OTMA and IMS Connect for IMS SOAP Gateway” on page 6

IMS SOAP Gateway uses IMS Connect and IMS OTMA to invoke IMS transaction as Web service. In order for IMS SOAP Gateway to access IMS transactions, you need to configure IMS OTMA and IMS Connect for IMS SOAP Gateway.

Related information

Chapter 1, “IMS SOAP Gateway,” on page 1

IBM IMS SOAP Gateway is a Web services solution that enables IMS applications to inter-operate outside of the IMS environment through Simple Object Access Protocol (SOAP) to provide and request services independently of platform, environment, application language, or programming model.

Installing the IMS SOAP Gateway

IBM IMS SOAP Gateway is easily installed and downloaded from the IMS SOAP Gateway Web site.

To install IMS SOAP Gateway for Windows and AIX:

1. From the IMS SOAP Gateway Web site, download the following file into a temporary directory:

- For Windows: imsssoap910win.exe
- For AIX: imsssoap910aix.bin

2. Run the imsssoap910 file specific to your installation environment. The InstallShield Wizard opens and guides you through a series of installation steps.

3. Follow the instructions in the InstallShield Wizard to complete the installation.

For Windows only: To access IMS SOAP Gateway navigate to **Start -> All Programs -> IBM IMS SOAP Gateway Version 9.1**.

Related tasks

“Verifying the installation of IMS SOAP Gateway” on page 7

To verify the installation of IMS SOAP Gateway, use the IMS SOAP Gateway Installation Verification Program (IVP).

Related reference

“System requirements for IMS SOAP Gateway” on page 5

IMS SOAP Gateway Version 9.1 runs on Microsoft Windows XP, Windows 2000 and AIX. IMS SOAP Gateway requires IMS Version 9 with integrated IMS Connect.

Configuring IMS OTMA and IMS Connect for IMS SOAP Gateway

IMS SOAP Gateway uses IMS Connect and IMS OTMA to invoke IMS transaction as Web service. In order for IMS SOAP Gateway to access IMS transactions, you need to configure IMS OTMA and IMS Connect for IMS SOAP Gateway.

To verify the configuration of OTMA and IMS Connect, ensure that the following have been performed:

1. User Exit Routine HWSSOAP1 is downloaded from the IMS SOAP Gateway Web site.
2. IMS Connect and IMS OTMA are installed, configured, enabled and running properly.
3. IMS Connect and OTMA is setup with the desired level of security. For example, if you have security enabled for your IMS Connect and IMS OTMA, make sure you have provide the valid security properties (like user ID and password) to IMS SOAP Gateway.
4. IMS transaction and the program associated with the IMS transaction has been started and are running properly.
5. Install the User Exit Routine, HWSSOAP1, using the instructions in “Setting up the user exit routine for IMS Connect”:

Related tasks

“Verifying the installation of IMS SOAP Gateway” on page 7

To verify the installation of IMS SOAP Gateway, use the IMS SOAP Gateway Installation Verification Program (IVP).

Related reference

“System requirements for IMS SOAP Gateway” on page 5

IMS SOAP Gateway Version 9.1 runs on Microsoft Windows XP, Windows 2000 and AIX. IMS SOAP Gateway requires IMS Version 9 with integrated IMS Connect.

Setting up the user exit routine for IMS Connect

Prerequisite:

- You must have IMS Connect installed and configured on your system. IMS Connect is include with IMS Version 9.
- Download the User Exit Routine HWSSOAP1 from the IMS SOAP Gateway Web site.

For more information on user exit routines and configuring IMS Connect, see the *IMS Version 9: IMS Connect Guide and Reference* .

To configure IMS Connect with User Exit Routine HWSSOAP1:

1. Compile and bind (link-edit) the User Exit Routine HWSSOAP1 to the IMS Connect resource library (SDFSRESL). The following sample JCL can assist you with the step:

```
//HWSSOAP JOB (ACTINF01),'PGMRNAME',  
//          CLASS=A,MSGCLASS=Z,MSGLEVEL=(1,1),REGION=4M  
//SOAP01 EXEC PGM=ASMA90,REGION=32M,  
//          PARM='DECK,NOOBJECT,SIZE(MAX,ABOVE)'  
//SYSLIB DD DSN=SYS1.SDFSRESL,DISP=SHR  
//          DD DSN=SYS1.MODGEN,DISP=SHR  
//SYSPUNCH DD UNIT=SYSVIO,DISP=(,PASS),SPACE=(TRK,(1,1,1)),
```

```

//          DSN=&&TEXT(HWSSOAP1)
//SYSPRINT DD SYSOUT=*,
//          DCB=(BLKSIZE=605),
//          SPACE=(605,(100,50),RLSE,,ROUND)
//SYSUT1 DD UNIT=SYSDA,DISP=(,DELETE),
//          DCB=BLKSIZE=13024,
//          SPACE=(CYL,(16,15))
//SYSIN DD DSN=IMSBLD.IMSCON91.APAR.MAINT.SHWSSRC(HWSSOAP1),DISP=SHR
//SOAP02 EXEC PGM=IEWL,
//          PARM='SIZE=(180K,28K),RENT,REFR,NCAL,LET,XREF,LIST,TEST'
//SYSPRINT DD SYSOUT=A
//SYSLMOD DD DSN=IMSBLD.USERTEMP.HWSRESL,DISP=SHR
//SYSUT1 DD UNIT=SYSVIO,DISP=(,DELETE),SPACE=(CYL,(10,1),RLSE)
//TEXT DD UNIT=SYSVIO,DISP=(OLD,DELETE),DSN=&&TEXT
//SYSLIN DD *
//          INCLUDE TEXT(HWSSOAP1)
//          ENTRY HWSSOAP1
//          MODE RMODE(24),AMODE(31)
//          NAME HWSSOAP1(R)
//

```

2. Add the User Exit Routine HWSSOAP1 to the IMS Connect configuration file for the TCPIP statement at EXIT= :

```
TCPIP=(HOSTNAME=...,EXIT=(HWSSMPL0,HWSSMPL1,HWSSOAP1),...)
```

3. Restart IMS Connect to complete the configuration.

Verifying the installation of IMS SOAP Gateway

To verify the installation of IMS SOAP Gateway, use the IMS SOAP Gateway Installation Verification Program (IVP).

Prerequisite: You must complete the configuration steps in "Configuring IMS OTMA and IMS Connect for IMS SOAP Gateway" before running the IVP. For more information on configuring IMS Connect, see the *IMS Version 9: IMS Connect Guide and Reference*. IMS Connect is included with IMS Version 9.

The IMS SOAP Gateway Installation Verification Program (IVP) is a Web service that is installed with IMS SOAP Gateway. The IVP verifies the installation when you successfully access the target IMS environment.

Note: The IVP does not require a host IMS application.

To verify the installation:

1. Configure the connection bundle properties for use by the IVP to connect to your target IMS:
 - a. Start the IMS SOAP Gateway Deployment Utility in Interactive mode.
 - b. Select **Task 6: Create, Update, Delete or View connection bundle** by entering **6** on the command line.
 - c. Enter **c** to create a new connection bundle.
 - d. Enter the following values for each property of the connection bundle:
 - Connection Bundle name: **imssoapivp**
 - IMS Connect host name or IP Address: Specify the IP address or host name of the machine running the target IMS Connect.
 - IMS Connect port number: Specify the number of a port used by the target IMS Connect.
 - IMS datastore name: Specify the name of the target IMS datastore. It must match the ID parameter of the Datastore statement that is specified in the IMS Connect configuration member when IMS Connect is installed. It also serves as the XCF member name for IMS during internal XCF communications between IMS Connect and OTMA.

- IMS user ID: If you have security enabled on your IMS environment, specify the user name that will be used for security checking.
 - IMS password: If you have security enabled on your IMS environment, specify the password that will be used for security checking.
 - IMS group name: Specify the IMS group name that will be used for security authorization is applicable.
2. Start the IMS SOAP Gateway server. If the IMS SOAP Gateway server is already started, restart it.
 3. Run the IVP using the following steps:
 - a. From a Web browser, type the following to invoke the IMS SOAP Gateway IVP Web client:
`http://hostname:port/imssoap/imssoapivp.html`

where *hostname* is the hostname and *port* is the port number where IMS SOAP Gateway is running.

Tip: If you invoke the IVP from the same workstation where IMS SOAP Gateway is installed, then you can use the default port number and the URL is:`http://localhost:8080/imssoap/imssoapivp.html`.

- b. Click **Submit**. The IVP is run successfully if you see one of the following messages:
 - DFS058I hh:mm:ss START COMMAND COMPLETED
 - DFS1292E SECURITY VIOLATION

The objective of the IVP is to receive a message from IMS in reply to the /STA OTMA command. One of these messages is returned, depending on the level of security checking in place for your installation and whether or not the UserName/Password/GroupName is permitted to issue the /STA command. Either message indicates successful execution of the IVP, since it is IMS that issues the "DFS" message. The IVP does not run an IMS application program, therefore it does not verify that IMS transactions can run successfully. It only verifies that the path to IMS is available.

Related tasks

"Installing the IMS SOAP Gateway" on page 5

IBM IMS SOAP Gateway is easily installed and downloaded from the IMS SOAP Gateway Web site.

"Tips for diagnosing Installation Verification Program errors" on page 37

Running the IVP for IMS SOAP Gateway is usually trouble free. However, if you do experience an error this topic lists the possible errors and recommended solutions for these problems.

"Starting the IMS SOAP Gateway server" on page 31

There are several ways to start the IMS SOAP Gateway server including using the deployment utility in either Interactive or Expert mode.

"Configuring IMS OTMA and IMS Connect for IMS SOAP Gateway" on page 6

IMS SOAP Gateway uses IMS Connect and IMS OTMA to invoke IMS transaction as Web service. In order for IMS SOAP Gateway to access IMS transactions, you need to configure IMS OTMA and IMS Connect for IMS SOAP Gateway.

Related reference

"System requirements for IMS SOAP Gateway" on page 5

IMS SOAP Gateway Version 9.1 runs on Microsoft Windows XP, Windows 2000 and AIX. IMS SOAP Gateway requires IMS Version 9 with integrated IMS Connect.

Removing IMS SOAP Gateway

IMS SOAP Gateway is easily uninstalled for both Windows and AIX.

You can uninstall IMS SOAP Gateway in either of the following:

- Run the uninstalle file:
 1. For Windows: go to <installation directory>_uninst and run **uninstaller.exe**.

2. For AIX: go to <installation directory>_uninst and run **uninstaller.bin**.
- For Windows only: Use the Windows Add/Remove Programs located on the Control Panel.

Chapter 3. Enabling an IMS application as a Web service

This section gives an overview of the tasks required to enable an IMS application as a Web Service using IMS SOAP Gateway. After you create the WSDL file, modifying the IMS application, and deploy the IMS SOAP Gateway Web service, the IMS application is available as a Web service and the client application can send it SOAP messages.

Once these task are complete, the next step is creating your client applications.

Related tasks

Chapter 4, “Writing the client application,” on page 29

Write a client application which sends a SOAP message to invoke the IMS application as a Web service through IMS SOAP Gateway.

Creating the WSDL file

To deploy an IMS application as a Web service, you need to create a WSDL (Web service description language) file.

A WSDL file is an XML document that describes a Web service. WSDL files are used by others (for example, the client that invokes the service) to discover the service and to understand how to invoke the service. It specifies the location of the service and the operations that the service exposes.

To make your IMS application accessible as a Web Service, you need to describe the functions provided by the IMS application and how the input and output message looks like for invoking the function in a WSDL file. The WSDL file serves as the Web service interface for the IMS application.

There are three ways to create the WSDL file: generating the file by using IBM WebSphere Developer for zSeries, manually creating the file, or modifying an existing WSDL file that is generated by IBM WebSphere® Application Developer Integration Edition V5.1.1. To prepare the WSDL file, you need a COBOL copybook that describes the input and output messages for the IMS application.

Related tasks

“Deploying a Web service with IMS SOAP Gateway” on page 24

Use the deployment utility to deploy an application as a Web service. You can use the deployment utility in either Interactive or Expert mode.

Generating a WDSL file using WebSphere Developer for zSeries

With WebSphere Developer for zSeries, you can generate a WDSL file that you can use without modification for IMS SOAP Gateway.

Prerequisite: To generate a WSDL file, you must have a COBOL copybook that describes the format of the input and output messages for the application.

To generate a WSDL file using WebSphere Developer for zSeries V6.0.1:

1. Start WebSphere Developer for zSeries and open the z/OS Projects perspective.
2. Select the z/OS Projects view.
3. Create a local COBOL project.
 - a. Select **File -> New -> Project**.
 - b. Expand the Workstation COBOL or PL/I folder.
 - c. Select **Local Project** and click **Next**.

- d. Type a name for the project. For example, MyProject.
- e. Click **Finish**. A new project called MyProject is now available in your workspace.
4. Import the COBOL copybook that describes the format of the input and output messages of your IMS application into the project you created. For example, MyProject.
 - a. Select your MyProject project.
 - b. Select **File -> Import** to open the Import wizard.
 - c. Select **File system** to import the resources from the local file system. Click **Next**.
 - d. Click **Browse** beside the directory field to go to the directory that contains the COBOL copybook. Click **OK**.
 - e. Ensure IMSPhoneBook is the name of the destination folder for the imported resource. Click **Finish** to import the file and close the wizard.
5. Use the Web Service Runtime and Scenario Selection dialog to start the appropriate XML services for the Enterprise wizard. To open the Web Service Runtime and Scenario Selection dialog:
 - a. Highlight and right-click the COBOL copybook and select **Enable Enterprise Web Service**. A dialog opens where you can specify the options to start a Web service wizard.
 - b. Select a Runtime, Scenario and Conversion:
 - Runtime: **IMS SOAP Gateway**
 - Scenario: **Create New Service Interface (bottom-up)**
 - Conversion type: **Compiled XML Conversion**
 - c. Click **Start**.
6. Select the data structures for the inbound and outbound converters:
 - a. Click **Change COBOL Options**. The COBOL Import Properties panel displays.
 - b. In the **Platform** field, select z/OS.
 - c. Click **Finish**. The Data structures panel displays.
 - d. For the inbound data structure, select the COBOL data structure that corresponds to the input message of the IMS application.
 - e. Select the Outbound data structure tab.
 - f. Select the COBOL data structure that corresponds to the output message of the IMS application.
 - g. Click **Next** to continue.
7. Specify generation options:
 - a. In the **Host code page** field, select the code page that the host uses. IMS SOAP Gateway supports only UTF-8 encoding for the inbound and outbound code pages. Therefore, you cannot change these settings.
 - b. Specify any additional properties.
 - c. Select the WSDL and XSD Options tab.
 - d. In the **Endpoint URI** field, change the host and port name to the location of IMS SOAP Gateway. This URI specifies the address of the Web service.
 - e. Specify any additional properties.
 - f. Click **Next** to continue.
8. Specify the IMS SOAP Gateway correlator properties and click **Next**.
9. Specify location and name of the WSDL file.
 - a. Select the WSDL and XSD tab.
 - b. If necessary, change the default location and names of the WSDL file.
 - c. Ensure that **WSDL file name** is selected.
 - d. Optionally, select the inbound and outbound XSD files to be generated. These files are not required by IMS SOAP Gateway.
 - e. Click **Finish**.

WebSphere Developer for zSeries generates the following files, but you need only the WSDL file. The other files are not required for IMS SOAP Gateway Version 9.1.

- WSDL file
 - COBOL converters and driver file
 - Correlator file
 - Inbound and outbound XSD files (optional)
10. Store the WSDL file in the IMS SOAP Gateway WSDL directory:
installation_directory\server\webapps\imssoap\wsdl. For example: c:\Program Files\IBM\IMS SOAP Gateway\server\webapps\imssoap\wsdl. You can store the WSDL anywhere, but you must then specify the entire path when you are deploying the Web service.

Manually creating the WSDL file

To enable an application as a Web service, you must first create the Web service interface.

To create the Web service interface:

1. Create an XML schema that maps the COBOL copybook data structures for the input message and output message of the application. Do not include the LLZZ prefix and transaction code in the schema. If you have a COBOL copybook, you can use it to help you create the schema.
2. Create a Document/Literal style WSDL file that defines a Web service operation that uses the input and output messages that are defined in the XML schema. Put the schema that you created in step 1 in the <wsdl:types> element.
3. Create the rest of WSDL file with the following rules:
 - The soap:operation soapAction attribute value must match the correlator file name.
 - The soap:operation style attribute value must be “document”.
 - The SOAP address must be:
`http://hostname:port/imssoap/services/WebServicePortname`

where *hostname* is the location of IMS SOAP Gateway, *port* is the port number of IMS SOAP Gateway, and *WebServicePortname* matches the name attribute value of the port element.

4. Store the WSDL file in the IMS SOAP Gateway WSDL directory:
installation_directory\server\webapps\imssoap\wsdl. For example: c:\Program Files\IBM\IMS SOAP Gateway\server\webapps\imssoap\wsdl\SOAPService.wsdl. You can store the WSDL anywhere, but you must then specify the entire path when you are deploying the Web service.

Related information

“WSDL file example” on page 16

The example WSDL file is for the IMS phonebook sample application.

Modifying WSDL files that are generated by WebSphere Studio Application Developer

If you have WSDL files generated by using WebSphere Studio Application Developer Integration Edition V5.1.x, you can modify them to use it with IMS SOAP Gateway.

WebSphere Studio Application Developer Integration Edition allows you to create an Enterprise Service application from the COBOL copybook for use with IMS Connector for Java. The following WSDL files are generated when the Enterprise Service application is created for the IMS environment: *prefixService.wsdl*, *prefixSOAPService.wsdl*, and *prefixSOAPServiceBinding.wsdl*. These files can be modified to use with IMS SOAP Gateway. *prefixIMSService.wsdl* and *prefixIMSBinding.wsdl* files are generated as well, but they are not required by IMS SOAP Gateway.

To use a generated WSDL file for IMS SOAP Gateway, make the following changes to the WSDL files:

1. Modify the XML schema part of the *prefixService.wsdl* file:

- a. Optional: Remove the LL, ZZ, and trancode elements of the input message. LLZZ and the trancode are added by IMS SOAP Gateway when it sends the message to IMS, and so these elements are ignored by IMS SOAP Gateway. For example, remove the following elements:

```

<element name="in_ll">
  <simpleType>
    <restriction base="short">
      <minInclusive value="-999"/>
      <maxInclusive value="999"/>
    </restriction>
  </simpleType>
</element>
<element name="in_zz">
  <simpleType>
    <restriction base="short">
      <minInclusive value="-999"/>
      <maxInclusive value="999"/>
    </restriction>
  </simpleType>
</element>
<element name="in_trcd">
  <annotation>
    <appinfo source="http://www.wsadie.com/appinfo">
      <initialValue kind="SPACE"/>
    </appinfo>
  </annotation>
  <simpleType>
    <restriction base="string">
      <maxLength value="10"/>
    </restriction>
  </simpleType>
</element>

```

- b. Optional: Remove the LL and ZZ elements of the output message. For example, remove the following elements:

```

<element name="out_ll">
  <annotation>
    <appinfo source="http://www.wsadie.com/appinfo">
      <initialValue kind="string_value" value="+0"/>
    </appinfo>
  </annotation>
  <simpleType>
    <restriction base="short">
      <minInclusive value="-999"/>
      <maxInclusive value="999"/>
    </restriction>
  </simpleType>
</element>
<element name="out_zz">
  <annotation>
    <appinfo source="http://www.wsadie.com/appinfo">
      <initialValue kind="string_value" value="+0"/>
    </appinfo>
  </annotation>
  <simpleType>
    <restriction base="short">
      <minInclusive value="-999"/>
      <maxInclusive value="999"/>
    </restriction>
  </simpleType>
</element>

```

- c. After the definitions of the complex types and before the end of the schema, add elements that reference the input and output complex type elements. The name attribute value must match the name attribute value of the complexType elements, and the type attribute value must match the type attribute value of the part element. For example, add the following elements:

```

....
</complexType>
<element name="INPUTMSG" type="tns:INPUTMSG"/>
<element name="OUTPUTMSG" type="tns:OUTPUTMSG"/>
</schema>
....

```

- d. In the part elements, change the type attribute name to “element” to reference the input and output message. For example, modify the following:

```

...
</types>
<message name="runPhoneBookRequest">
  <part name="INPUTMSG" element="tns:INPUTMSG"/>
</message>
<message name="runPhoneBookResponse">
  <part name="OUTPUTMSGPart" element="tns:OUTPUTMSG"/>
</message>

```

2. Modify the *prefixSOAPBinding.wsdl* file:

- a. Change the style attribute value of the soap:binding element and of the soap:operation element from “rpc” to “document” For example:

```

<binding name="PhoneBookSOAPBinding" type="interface1:PhoneBook">
  <soap:binding style="document" transport="http://schemas.xmlsoap.org/soap/http"/>
  <operation name="runPhoneBook">
    <soap:operation soapAction="urn:PhoneBook" style="document"/>

```

- b. In the two soap:body elements, which are nested inside the input and output elements, change the use attribute values from “encoded” to “literal.” For example:

```

<input name="runPhoneBookRequest">
  <soap:body
    encodingStyle=http://schemas.xmlsoap.org/soap/encoding/
    namespace="urn:PhoneBook" parts="INPUTMSG" use="literal"/>
</input>
<output name="runPhoneBookResponse">
  <soap:body
    encodingStyle=http://schemas.xmlsoap.org/soap/encoding/
    namespace="urn:PhoneBook" parts="OUTPUTMSGPart"
    use="literal"/>
</output>

```

3. Modify the *prefixSOAPService.wsdl* file by changing location attribute value of the soap:address element to match the location of the IMS SOAP Gateway server and the port name of the Web Service that is being installed. The SOAP address must be `http://hostname:port/imssoap/services/WebServicePortname`, where *WebServicePortname* matches the name attribute value of the port element, *hostname* is the location of IMS SOAP Gateway, and *port* is the port number of IMS SOAP Gateway. For example:

```

<service name="PhoneBookService">
  <port binding="binding1:PhoneBookSOAPBinding"
    name="PhoneBookSOAPPort">
    <soap:address
      location="http://localhost:8080/imssoap/services/PhoneBookSOAPPort"/>
    </port>
</service>

```

4. Store the three WSDL files in the IMS SOAP Gateway. WSDL directory:

installation_directory\server\webapps\imssoap\wsdl. For example: c:\Program Files\IBM\IMS SOAP Gateway\server\webapps\imssoap\wsdl. When you are required to specify a WSDL file to the IMS SOAP Gateway deployment utility, specify the *prefixSOAPService.wsdl* file.

Related information

“WSDL file example” on page 16

The example WSDL file is for the IMS phonebook sample application.

WSDL file example

The example WSDL file is for the IMS phonebook sample application.

```
<?xml version="1.0" encoding="UTF-8"?>
<wsdl:definitions xmlns:soap="http://schemas.xmlsoap.org/wsdl/soap/" xmlns:soapenv="http://schemas.xmlsoap.org/soap/envelope"
  <wsdl:types>
    <schema xmlns="http://www.w3.org/2001/XMLSchema" xmlns:cb1="http://www.IMSPHBKI.com/schemas/IMSPHBKIInterface" attribute
      <complexType name="INPUTMSG">
        <sequence>
          <element name="in_ll">
            <simpleType>
              <restriction base="short">
                <minInclusive value="-999"/>
                <maxInclusive value="999"/>
              </restriction>
            </simpleType>
          </element>
          <element name="in_zz">
            <simpleType>
              <restriction base="short">
                <minInclusive value="-999"/>
                <maxInclusive value="999"/>
              </restriction>
            </simpleType>
          </element>
          <element name="in_trcd">
            <annotation>
              <appinfo source="http://www.wsadie.com/appinfo">
                <initialValue kind="SPACE"/>
              </appinfo>
            </annotation>
            <simpleType>
              <restriction base="string">
                <maxLength value="10"/>
              </restriction>
            </simpleType>
          </element>
          <element name="in_cmd">
            <annotation>
              <appinfo source="http://www.wsadie.com/appinfo">
                <initialValue kind="SPACE"/>
              </appinfo>
            </annotation>
            <simpleType>
              <restriction base="string">
                <maxLength value="8"/>
              </restriction>
            </simpleType>
          </element>
          <element name="in_name1">
            <annotation>
              <appinfo source="http://www.wsadie.com/appinfo">
                <initialValue kind="SPACE"/>
              </appinfo>
            </annotation>
            <simpleType>
              <restriction base="string">
                <maxLength value="10"/>
              </restriction>
            </simpleType>
          </element>
          <element name="in_name2">
            <annotation>
              <appinfo source="http://www.wsadie.com/appinfo">
                <initialValue kind="SPACE"/>
              </appinfo>
            </annotation>
          </element>
        </sequence>
      </complexType>
    </schema>
  </wsdl:types>
</wsdl:definitions>
```

```

    <simpleType>
      <restriction base="string">
        <maxLength value="10"/>
      </restriction>
    </simpleType>
  </element>
  <element name="in_extn">
    <annotation>
      <appinfo source="http://www.wsadie.com/appinfo">
        <initialValue kind="SPACE"/>
      </appinfo>
    </annotation>
    <simpleType>
      <restriction base="string">
        <maxLength value="10"/>
      </restriction>
    </simpleType>
  </element>
  <element name="in_zip">
    <annotation>
      <appinfo source="http://www.wsadie.com/appinfo">
        <initialValue kind="SPACE"/>
      </appinfo>
    </annotation>
    <simpleType>
      <restriction base="string">
        <maxLength value="7"/>
      </restriction>
    </simpleType>
  </element>
</sequence>
</complexType>
<element name="INPUTMSG" type="cb1:INPUTMSG"/>
</schema>
<schema xmlns="http://www.w3.org/2001/XMLSchema" xmlns:cb1="http://www.IMSPHBK0.com/schemas/IMSPHBK0Interface" attri
  <complexType name="OUTPUTMSG">
    <sequence>
      <element name="out_ll">
        <simpleType>
          <restriction base="short">
            <minInclusive value="-999"/>
            <maxInclusive value="999"/>
          </restriction>
        </simpleType>
      </element>
      <element name="out_zz">
        <simpleType>
          <restriction base="short">
            <minInclusive value="-999"/>
            <maxInclusive value="999"/>
          </restriction>
        </simpleType>
      </element>
      <element name="out_msg">
        <annotation>
          <appinfo source="http://www.wsadie.com/appinfo">
            <initialValue kind="SPACE"/>
          </appinfo>
        </annotation>
        <simpleType>
          <restriction base="string">
            <maxLength value="40"/>
          </restriction>
        </simpleType>
      </element>
      <element name="out_cmd">
        <annotation>

```

```

    <appinfo source="http://www.wsadie.com/appinfo">
      <initialValue kind="SPACE"/>
    </appinfo>
  </annotation>
</simpleType>
  <restriction base="string">
    <maxLength value="8"/>
  </restriction>
</simpleType>
</element>
<element name="out_name1">
  <annotation>
    <appinfo source="http://www.wsadie.com/appinfo">
      <initialValue kind="SPACE"/>
    </appinfo>
  </annotation>
  <simpleType>
    <restriction base="string">
      <maxLength value="10"/>
    </restriction>
  </simpleType>
</element>
<element name="out_name2">
  <annotation>
    <appinfo source="http://www.wsadie.com/appinfo">
      <initialValue kind="SPACE"/>
    </appinfo>
  </annotation>
  <simpleType>
    <restriction base="string">
      <maxLength value="10"/>
    </restriction>
  </simpleType>
</element>
<element name="out_extn">
  <annotation>
    <appinfo source="http://www.wsadie.com/appinfo">
      <initialValue kind="SPACE"/>
    </appinfo>
  </annotation>
  <simpleType>
    <restriction base="string">
      <maxLength value="10"/>
    </restriction>
  </simpleType>
</element>
<element name="out_zip">
  <annotation>
    <appinfo source="http://www.wsadie.com/appinfo">
      <initialValue kind="SPACE"/>
    </appinfo>
  </annotation>
  <simpleType>
    <restriction base="string">
      <maxLength value="7"/>
    </restriction>
  </simpleType>
</element>
<element name="out_segno">
  <annotation>
    <appinfo source="http://www.wsadie.com/appinfo">
      <initialValue kind="SPACE"/>
    </appinfo>
  </annotation>
  <simpleType>
    <restriction base="string">
      <maxLength value="4"/>
    </restriction>
  </simpleType>
</element>

```

```

        </restriction>
    </simpleType>
</element>
</sequence>
</complexType>
<element name="OUTPUTMSG" type="cb1:OUTPUTMSG"/>
</schema>
</wsdl:types>
<wsdl:message name="IMSPHBKOperationRequest">
    <wsdl:part element="xsd1:INPUTMSG" name="INPUT-MSGPart"/>
</wsdl:message>
<wsdl:message name="IMSPHBKOperationResponse">
    <wsdl:part element="xsd2:OUTPUTMSG" name="OUTPUT-MSGPart"/>
</wsdl:message>
<wsdl:portType name="IMSPHBKPortType">
    <wsdl:operation name="IMSPHBKOperation">
        <wsdl:input message="tns:IMSPHBKOperationRequest" name="IMSPHBKOperationRequest"/>
        <wsdl:output message="tns:IMSPHBKOperationResponse" name="IMSPHBKOperationResponse"/>
    </wsdl:operation>
</wsdl:portType>
<wsdl:binding name="IMSPHBKBinding" type="tns:IMSPHBKPortType">
    <soap:binding style="document" transport="http://schemas.xmlsoap.org/soap/http"/>
    <wsdl:operation name="IMSPHBKOperation">
        <soap:operation soapAction="urn:IMSPHBK" style="document"/>
        <wsdl:input name="IMSPHBKOperationRequest">
            <soap:body encodingStyle="literal" use="literal"/>
        </wsdl:input>
        <wsdl:output name="IMSPHBKOperationResponse">
            <soap:body encodingStyle="literal" use="literal"/>
        </wsdl:output>
    </wsdl:operation>
</wsdl:binding>
<wsdl:service name="IMSPHBKService">
    <wsdl:port binding="tns:IMSPHBKBinding" name="IMSPHBKPort">
        <soap:address location="http://localhost:8080/imssoap/services/IMSPHBKPort"/>
    </wsdl:port>
</wsdl:service>
</wsdl:definitions>

```

Related tasks

“Manually creating the WSDL file” on page 13

To enable an application as a Web service, you must first create the Web service interface.

“Modifying WSDL files that are generated by WebSphere Studio Application Developer” on page 13

If you have WSDL files generated by using WebSphere Studio Application Developer Integration Edition V5.1.x, you can modify them to use it with IMS SOAP Gateway.

Modifying the IMS application

You must modify the IMS application to accept the XML input message and to return an XML output message.

Note: To make your IMS application able to process data in XML format, you may need to make changes to the existing application. If your IMS application is not enhanced to handle the data in XML format, the IMS application may abend when processing the data.

Data format of messages

The client and IMS application must send and receive messages in XML that matches the XML schema in the WSDL file. The message data does not need to include LL, ZZ, or truncate information.

Message prefix

IMS requires:

- all transaction messages are prefixed by a two-byte LL field and a two-byte ZZ field
- the length of the transaction code field must be eight bytes or less for the first input message of the IMS application
- the LL, ZZ and transaction code fields are not wrapped in XML tags

To allow your XML-formatted IMS message data to reach your IMS application, IMS SOAP Gateway allows you to specify the transaction code value by specifying a correlator property. At runtime, IMS SOAP Gateway adds the simple EBCDIC byte values of the transaction code and LL and ZZ fields to XML-formatted IMS data input message. In addition, IMS SOAP Gateway adds the XML declaration, `<?xml version="1.0" encoding="utf-8"?>`, at the beginning of the XML-formatted IMS data input message.

IMS SOAP Gateway supports XML messages encoded in UTF-8 only. Specifically, this means that the input XML transaction data inside the SOAP message must be encoded in UTF-8 and the output XML transaction data from the IMS application must be encoded as UTF-8 as well. In addition, the IMS application must be able to handle the XML transaction data from IMS SOAP Gateway in UTF-8.

In addition, only single segment messages are currently supported. The maximum size of the message is 32K. For input message, this length includes the XML input data, as well as the prefix LL, ZZ, transaction code and the XML declaration added by IMS SOAP Gateway. For output message, this length includes LL, ZZ and the output XML data.

Note: The XML schema can contain the LL, ZZ, and transcode definitions, but the values will not be used by IMS if you specify the transaction code value by using the IMS SOAP Gateway correlator property.

Sample

The IMS application has the following COBOL copybook:

```
01 INPUT-MSG.
02 IN-LL          PICTURE S9(3) COMP.
02 IN-ZZ          PICTURE S9(3) COMP.
02 IN-TRCD       PICTURE X(10).
02 IN-CMD        PICTURE X(8).
02 IN-NAME1      PICTURE X(10).
02 IN-NAME2      PICTURE X(10).
02 IN-EXTN       PICTURE X(10).
02 IN-ZIP        PICTURE X(7).

01 OUTPUT-MSG.
02 OUT-LL        PICTURE S9(3) COMP VALUE +0.
02 OUT-ZZ        PICTURE S9(3) COMP VALUE +0.
02 OUT-MSG       PICTURE X(40) VALUE SPACES.
02 OUT-CMD       PICTURE X(8) VALUE SPACES.
02 OUT-NAME1     PICTURE X(10) VALUE SPACES.
02 OUT-NAME2     PICTURE X(10) VALUE SPACES.
02 OUT-EXTN      PICTURE X(10) VALUE SPACES.
02 OUT-ZIP       PICTURE X(7) VALUE SPACES.
02 OUT-SEGNO     PICTURE X(4) VALUE SPACES.
```

The following schema, which maps to the COBOL copybook, is in the WSDL file:

```
<schema attributeFormDefault="qualified"
  elementFormDefault="unqualified"
  targetNamespace="http://ims.sample/"
  xmlns="http://www.w3.org/2001/XMLSchema" xmlns:xsd1="http://ims.sample/">
  <complexType name="INPUTMSG">
```



```

<sequence>
  <element name="in__ll">
    <simpleType>
      <restriction base="short">
        <minInclusive value="-999"/>
        <maxInclusive value="999"/>
      </restriction>
    </simpleType>
  </element>
  <element name="in__zz">
    <simpleType>
      <restriction base="short">
        <minInclusive value="-999"/>
        <maxInclusive value="999"/>
      </restriction>
    </simpleType>
  </element>
  <element name="in__trcd">
    <annotation>
      <appinfo source="http://www.wsadie.com/appinfo">
        <initialValue kind="SPACE"/>
      </appinfo>
    </annotation>
    <simpleType>
      <restriction base="string">
        <maxLength value="10"/>
      </restriction>
    </simpleType>
  </element>
  <element name="in__cmd">
    <annotation>
      <appinfo source="http://www.wsadie.com/appinfo">
        <initialValue kind="SPACE"/>
      </appinfo>
    </annotation>
    <simpleType>
      <restriction base="string">
        <maxLength value="8"/>
      </restriction>
    </simpleType>
  </element>
  <element name="in__name1">
    <annotation>
      <appinfo source="http://www.wsadie.com/appinfo">
        <initialValue kind="SPACE"/>
      </appinfo>
    </annotation>
    <simpleType>
      <restriction base="string">
        <maxLength value="10"/>
      </restriction>
    </simpleType>
  </element>
  <element name="in__name2">
    <annotation>
      <appinfo source="http://www.wsadie.com/appinfo">
        <initialValue kind="SPACE"/>
      </appinfo>
    </annotation>
    <simpleType>
      <restriction base="string">
        <maxLength value="10"/>
      </restriction>
    </simpleType>
  </element>
  <element name="in__extn">
    <annotation>

```

```

        <appinfo source="http://www.wsadie.com/appinfo">
            <initialValue kind="SPACE"/>
        </appinfo>
    </annotation>
</simpleType>
    <restriction base="string">
        <maxLength value="10"/>
    </restriction>
</simpleType>
</element>
<element name="in__zip">
    <annotation>
        <appinfo source="http://www.wsadie.com/appinfo">
            <initialValue kind="SPACE"/>
        </appinfo>
    </annotation>
    <simpleType>
        <restriction base="string">
            <maxLength value="7"/>
        </restriction>
    </simpleType>
</element>
</sequence>
</complexType>
<complexType name="OUTPUTMSG">
    <sequence>
        <element name="out__l1">
            <annotation>
                <appinfo source="http://www.wsadie.com/appinfo">
                    <initialValue kind="string_value" value="+0"/>
                </appinfo>
            </annotation>
            <simpleType>
                <restriction base="short">
                    <minInclusive value="-999"/>
                    <maxInclusive value="999"/>
                </restriction>
            </simpleType>
        </element>
        <element name="out__zz">
            <annotation>
                <appinfo source="http://www.wsadie.com/appinfo">
                    <initialValue kind="string_value" value="+0"/>
                </appinfo>
            </annotation>
            <simpleType>
                <restriction base="short">
                    <minInclusive value="-999"/>
                    <maxInclusive value="999"/>
                </restriction>
            </simpleType>
        </element>
        <element name="out__msg">
            <annotation>
                <appinfo source="http://www.wsadie.com/appinfo">
                    <initialValue kind="SPACE"/>
                </appinfo>
            </annotation>
            <simpleType>
                <restriction base="string">
                    <maxLength value="40"/>
                </restriction>
            </simpleType>
        </element>
        <element name="out__cmd">
            <annotation>
                <appinfo source="http://www.wsadie.com/appinfo">

```

```

        <initialValue kind="SPACE"/>
    </appinfo>
</annotation>
<simpleType>
    <restriction base="string">
        <maxLength value="8"/>
    </restriction>
</simpleType>
</element>
<element name="out__name1">
    <annotation>
        <appinfo source="http://www.wsadie.com/appinfo">
            <initialValue kind="SPACE"/>
        </appinfo>
    </annotation>
    <simpleType>
        <restriction base="string">
            <maxLength value="10"/>
        </restriction>
    </simpleType>
</element>
<element name="out__name2">
    <annotation>
        <appinfo source="http://www.wsadie.com/appinfo">
            <initialValue kind="SPACE"/>
        </appinfo>
    </annotation>
    <simpleType>
        <restriction base="string">
            <maxLength value="10"/>
        </restriction>
    </simpleType>
</element>
<element name="out__extn">
    <annotation>
        <appinfo source="http://www.wsadie.com/appinfo">
            <initialValue kind="SPACE"/>
        </appinfo>
    </annotation>
    <simpleType>
        <restriction base="string">
            <maxLength value="10"/>
        </restriction>
    </simpleType>
</element>
<element name="out__zip">
    <annotation>
        <appinfo source="http://www.wsadie.com/appinfo">
            <initialValue kind="SPACE"/>
        </appinfo>
    </annotation>
    <simpleType>
        <restriction base="string">
            <maxLength value="7"/>
        </restriction>
    </simpleType>
</element>
<element name="out__segno">
    <annotation>
        <appinfo source="http://www.wsadie.com/appinfo">
            <initialValue kind="SPACE"/>
        </appinfo>
    </annotation>
    <simpleType>
        <restriction base="string">
            <maxLength value="4"/>
        </restriction>
    </simpleType>
</element>

```

```

        </simpleType>
    </element>
</sequence>
</complexType>
<element name="INPUTMSG" type="tns:INPUTMSG"/>
<element name="OUTPUTMSG" type="tns:OUTPUTMSG"/>
</schema>

```

The message to the IMS application then has the following format based on this schema:

```

<?xml version="1.0" encoding="UTF-8"?>
<INPUTMSG xmlns="">
  <in__cmd>DISPLAY</in__cmd>
  <in__name1>LAST1</in__name1>
  <in__name2></in__name2>
  <in__extn></in__extn>
  <in__zip></in__zip>
</INPUTMSG>

```

The message that the IMS application sends back to the client as the following format based on this schema:

```

<OUTPUTMSG xmlns="">
  <out__msg>ENTRY WAS DISPLAYED</out__msg>
  <out__cmd>DISPLAY</out__cmd>
  <out__name1>LAST1</out__name1>
  <out__name2></out__name2>
  <out__extn></out__extn>
  <out__zip></out__zip>
  <out__segno>0001</out__segno>
</OUTPUTMSG>

```

Related tasks

Chapter 4, “Writing the client application,” on page 29

Write a client application which sends a SOAP message to invoke the IMS application as a Web service through IMS SOAP Gateway.

Deploying a Web service with IMS SOAP Gateway

Use the deployment utility to deploy an application as a Web service. You can use the deployment utility in either Interactive or Expert mode.

We recommend that you use the IMS SOAP Gateway Deployment Utility in Interactive mode to deploy an application as a Web service for the first time. Task 1 in Interactive mode provides an interactive user interface which walks you through each command needed to deploy your application from end to end.

Prerequisite:

- You must have a Web service interface, which is in one or possibly more WSDL (Web service description language) files.
- Start IMS SOAP Gateway before deploying the Web service.

The deployment process consists of the following steps:

1. “Specifying the connection properties of the connection bundle” on page 25
2. “Specifying the correlator properties for a Web service” on page 26
3. “Deploying the WSDL file” on page 27

To verify that the Web service was deployed, open the IMS SOAP Gateway Administrative Console to view the deployed Web services.

After you deploy the Web service, you must restart IMS SOAP Gateway to complete the process.

Related tasks

“Creating the WSDL file” on page 11

To deploy an IMS application as a Web service, you need to create a WSDL (Web service description language) file.

“Starting the IMS SOAP Gateway server” on page 31

There are several ways to start the IMS SOAP Gateway server including using the deployment utility in either Interactive or Expert mode.

Related reference

“Task 1: Enable your IMS application as Web service from start to finish” on page 51

Task 1 of the deployment utility allows you to deploy and set up properties to make your IMS application accessible as a Web Service.

Specifying the connection properties of the connection bundle

Creating a connection bundle consists of specifying the connection properties between IMS SOAP Gateway, IMS Connect, and IMS.

To create a connection bundle with the deployment utility:

- For Interactive mode select **Task 6: Create, Update, Delete or View the connection bundle for a Web service**. Select option **c** to create a connection bundle.
- For Expert mode use the **-conn** command. Use option **c** to create a connection bundle.

After you create a connection bundle:

- Specify the name of the connection bundle in the correlator properties for the Web Service. You must specify the connection bundle name to allow IMS SOAP Gateway to identify which set of connection properties should be used for its associated Web service.
- Restart the IMS SOAP Gateway after you create or change the connection properties.

Related reference

“Task 5: Create, Update or View correlator properties for a Web service” on page 54

This task creates or updates the correlator file by specifying the transaction and runtime correlator properties.

“-corr :Create or update the correlator file” on page 60

The **-corr** command creates or updates the correlator file by specifying transaction and runtime properties.

“Task 6: Create, Update, Delete or View the connection bundle for a Web service” on page 55

With Task 6 you can Create, Update, Delete and View a connection bundle. The connection bundle contains all of the connection properties of the Web service.

“-conn :Create, update, or delete a connection bundle” on page 63

Use the **-conn** command to create, update, or delete a connection bundle.

“Deployment Utility Expert Mode” on page 57

The IMS SOAP Gateway Deployment Utility in Expert Mode includes commands that allow you to specify all the input values to perform tasks for IMS SOAP Gateway in one instruction.

“Deployment Utility in Interactive Mode” on page 51

IMS SOAP Gateway Deployment Utility Interactive Mode provides an interactive user interface which walks you through each command needed to complete a selected task. Interactive mode steps you through tasks by prompting you for input.

Connection bundle

The connection bundle specifies the connection and security properties between IMS SOAP Gateway, IMS Connect, and IMS.

The connection bundle properties refer to the location and other parameters required for creating a TCP/IP socket connection to IMS. These properties are in a connection bundle XML file. You can create as

many connection bundles as needed. However, each Web service can be associated with only one connection bundle at a time and Web service name must be specified in the Correlator file for that Web service.

Each connection bundle consists of the following connection and security properties:

- **Connection bundle name:** A name to identify this set of connection properties.
- **IMS Connect hostname:** Specifies the name or IP address of the host system where IMS Connect is running.
- **IMS Connect port number:** The port number of IMS Connect.
- **IMS Datastore ID:** The name of the target IMS datastore. It must match the ID parameter of the Datastore statement that is specified in the IMS Connect configuration member. It also serves as the XCF member name for IMS during internal XCF communications between IMS Connect and IMS OTMA.
- **User ID:** The security authorization facility (SAF) user name that will be used for the connection to IMS.
- **Password:** The security authorization facility (SAF) password that will be used for the connection to IMS.
- **Groupname:** The security authorization facility (SAF) group name that will be used for the connection to IMS.

Specifying the correlator properties for a Web service

Correlator properties specify how to interact with the IMS application for the Web service. Each deployed application or Web service must have a correlation file associated with it.

You can create the correlator properties for a new Web service using the IMS SOAP Gateway Deployment Utility in Interactive or Expert mode:

- In Interactive mode use **Task 5: Create, Update or View correlator properties for a Web service**. Select option **c** to create a correlator file.
- In Expert mode use the **-corr** command. Use option **c** to create a connection bundle.

Related reference

“Task 5: Create, Update or View correlator properties for a Web service” on page 54

This task creates or updates the correlator file by specifying the transaction and runtime correlator properties.

“-corr :Create or update the correlator file” on page 60

The **-corr** command creates or updates the correlator file by specifying transaction and runtime properties.

“Task 6: Create, Update, Delete or View the connection bundle for a Web service” on page 55

With Task 6 you can Create, Update, Delete and View a connection bundle. The connection bundle contains all of the connection properties of the Web service.

“-conn :Create, update, or delete a connection bundle” on page 63

Use the **-conn** command to create, update, or delete a connection bundle.

“Deployment Utility Expert Mode” on page 57

The IMS SOAP Gateway Deployment Utility in Expert Mode includes commands that allow you to specify all the input values to perform tasks for IMS SOAP Gateway in one instruction.

“Deployment Utility in Interactive Mode” on page 51

IMS SOAP Gateway Deployment Utility Interactive Mode provides an interactive user interface which walks you through each command needed to complete a selected task. Interactive mode steps you through tasks by prompting you for input.

Correlator file

The correlator file specifies transaction, and runtime properties and the information that the IMS SOAP Gateway needs to match incoming requests to the appropriate IMS application in the back-end.

These properties are stored in an XML file whose name must be the same as the SOAP Action URN of the web service. The IMS SOAP Gateway Deployment Utility will obtain this information from the WSDL file for the web service and follow this convention while creating this file. This file is also created by the WebSphere Developer for Z series (WDz) tool. The correlator properties are as follows.

The correlation properties include:

- **Connection bundle name:** The name of the connection bundle that contains the connection and security properties which will be used to connect with the IMS.
- **Socket Timeout:** The timeout value for IMS SOAP Gateway to receive a response from IMS Connect.
- **Execution Timeout:** The timeout value for IMS Connect to send a message to IMS and receive the response.
- **Lterm name:** The name of the logical terminal.
- **IMS transaction code:** IMS transaction code of the IMS application that is invoked by the Web service.

Note: WDz Version 6.0.1 does not currently allow you to specify the IMS transaction code when creating the correlator file. If you use a correlator file generated by WDz, you need to update the IMS transaction code value in the correlator file for your application using option 5 in the deployment utility after you deploy the Web service.

Deploying the WSDL file

Deploying the WSDL is the last step for deploying a Web service to IMS SOAP Gateway.

Before you deploy the WSDL file, you must have a connection bundle and a correlator file.

To deploy the WSDL file:

Start the IMS SOAP Gateway Deployment Utility either in Interactive or Expert mode.

- In Interactive mode, select task 7.
- For Expert Mode, use the **-deploy** command.

After you deploy the WSDL file, you can view the newly deployed Web service in the IMS SOAP Gateway Administrative Console. The next step is to create a client application to access the IMS application as a Web service.

Note: You do not have to restart IMS SOAP Gateway unless you have created a new connection bundle or changed the connection bundle properties during the deployment process.

Related concepts

“IMS SOAP Gateway Administrative Console” on page 2

The IMS SOAP Gateway Administrative Console lists the deployed Web services when the server is started. Each item in the list is a link to the Web service’s WSDL (Web service description language file) file.

Related tasks

“Accessing the WSDL file of a deployed Web service” on page 34

You can access the WSDL file for a web service after it has been deployed to IMS SOAP Gateway. For example, you may want to retrieve the WSDL file to create a client application to access the Web service. There are three ways to access the WSDL file: from the file system, from the Web, and with the SOAP Gateway Administrative Console.

Related reference

“-deploy :Deploy the WSDL file” on page 64

The **-deploy** command deploys the WSDL file to IMS SOAP Gateway, which allows an IMS application to be enabled as a Web service.

Chapter 4. Writing the client application

Write a client application which sends a SOAP message to invoke the IMS application as a Web service through IMS SOAP Gateway.

The way in which you write the client application depends on whether you use client proxy code. If you do not have proxy code, the client application itself is responsible for these tasks. The client proxy code is usually generated by a tool or utility and does the following:

- Creates a connection to send and receive SOAP messages
- Wraps the transaction data in a SOAP message

When building the client application, ensure that the transaction data inside the SOAP message is in an XML format that is understood by the IMS application. The client and the IMS application must adhere to the format of the input and output message as described in the schema definition of the WSDL file.

Related tasks

Chapter 3, “Enabling an IMS application as a Web service,” on page 11

This section gives an overview of the tasks required to enable an IMS application as a Web Service using IMS SOAP Gateway. After you create the WSDL file, modifying the IMS application, and deploy the IMS SOAP Gateway Web service, the IMS application is available as a Web service and the client application can send it SOAP messages.

“Generating the Java proxy code”

You can generate client proxy code in Java by using the IMS SOAP Gateway Deployment Utility

Related reference

“Data format of messages” on page 19

The client and IMS application must send and receive messages in XML that matches the XML schema in the WSDL file. The message data does not need to include LL, ZZ, or tranocode information.

Generating the Java proxy code

You can generate client proxy code in Java by using the IMS SOAP Gateway Deployment Utility

Generating proxy code requires a WSDL file.

To generate the client proxy code:

1. Start the deployment utility in Interactive or Expert mode.
 - For Interactive mode use **Task 8: Generate Java client code**.
 - For Expert mode use the **-genclient** command.
2. Enter the location of the WSDL file and the path to where you want the generated code to be placed.
3. Use the proxy code in your client application with the following steps:
 - a. Create a Java application. The following example shows you how to create a Java application which uses the proxy client to invoke the Web service:

```
import files.target.*;
import com.IMSPHBKI.www.schemas.IMSPHBKIInterface.*;
import com.IMSPHBKO.www.schemas.IMSPHBKOInterface.*;

public class IMSPHBKClient {
    public static void main(String[] args) {
        try {
            // Populate the input data
            INPUTMSG input = new INPUTMSG();
            input.setIn_cmd("DISPLAY");
```

```

        input.setIn_name1("LAST1");

        // Invoke the service
        IMSPHBKService phonebookservice = new IMSPHBKServiceLocator();
        IMSPHBKPortType phonebook = phonebookservice.getIMSPHBKPort();
        OUTPUTMSG output = phonebook.IMSPHBKOperation(input);

        // Display the output data
        System.out.println("Message: " + output.getOut_msg());
        System.out.println("Last name: " + output.getOut_name1());
        System.out.println("First name: " + output.getOut_name2());
        System.out.println("Extension: " + output.getOut_extn());
        System.out.println("Zip: " + output.getOut_zip());
    } catch (Exception exception) {
        exception.printStackTrace();
    }
}
}

```

- b. Set up the classpath of the client application to include the <installation_dir>\server\webapps\imsssoap\temp\client\wsclient.jar file.
- c. Compile and run the Java application.

Related tasks

Chapter 4, "Writing the client application," on page 29

Write a client application which sends a SOAP message to invoke the IMS application as a Web service through IMS SOAP Gateway.

Related reference

"Task 8: Generate Java client code" on page 57

This task generates client proxy code for a Java client application.

"-genclient :Generate Java client code" on page 65

Use the **-genclient** command to generate client proxy code for a client application.

Chapter 5. Administrating IMS SOAP Gateway

The administration of IMS SOAP Gateway is primarily performed through the IMS SOAP Gateway Deployment Utility which allows you to set up properties and create runtime code that IMS SOAP Gateway uses to enable IMS applications as Web services.

Use the IMS SOAP Gateway Deployment Utility in either Interactive or Expert mode.

Starting the IMS SOAP Gateway server

There are several ways to start the IMS SOAP Gateway server including using the deployment utility in either Interactive or Expert mode.

To start the IMS SOAP Gateway server:

- For Windows: From the Windows Start menu, select: **Start** → **All Programs** → **IBM IMS SOAP Gateway Version 9.1** → **Start Server**.
- For AIX: Run **iogstart.sh** in the `<installation_dir>/bin` directory.
- For both Windows and AIX:
 - From the deployment utility in Interactive mode, select **Task 2: Start IMS SOAP Gateway**
 - From the deployment utility in Expert mode, use the **-start** command.

The IMS SOAP Gateway server starts. In Windows, the IMS SOAP Gateway windows opens and displays output messages from the server. In AIX, you can check the IMS SOAP Gateway log to verify that IMS SOAP Gateway is successfully started. The default location of the log file is `<installation_dir>/server/logs/imssoap.log`.

Related concepts

“IMS SOAP Gateway server” on page 2

The IMS SOAP Gateway server processes SOAP messages. It receives the SOAP message from the client application, converts it to an IMS input message, and sends it to IMS. It then receives the output message from IMS and converts it to a SOAP message to send back to the client.

Related tasks

“Verifying the installation of IMS SOAP Gateway” on page 7

To verify the installation of IMS SOAP Gateway, use the IMS SOAP Gateway Installation Verification Program (IVP).

“Deploying a Web service with IMS SOAP Gateway” on page 24

Use the deployment utility to deploy an application as a Web service. You can use the deployment utility in either Interactive or Expert mode.

Related reference

“Task 2: Start IMS SOAP Gateway” on page 52

This task starts the IMS SOAP Gateway server.

“-start :Start an IMS SOAP Gateway server” on page 58

The **-start** command starts an IMS SOAP Gateway server.

Stopping IMS SOAP Gateway server

There are several ways to stop the IMS SOAP Gateway server using the deployment utility in either Interactive or Expert mode.

To stop IMS SOAP Gateway server:

- For Windows: From the Windows Start menu, select: **Start** → **All Programs** → **IBM IMS SOAP Gateway Version 9.1** → **Stop Server**.
- For AIX: Run **iogstop.sh** in the <installation_dir>/bin directory.
- For both Windows and AIX using the deployment utility:
 - For Interactive mode, select **Task 3: Stop the IMS SOAP Gateway**.
 - For Expert mode, use the **-stop** command.

Related reference

“Task 3: Stop IMS SOAP Gateway” on page 52

This task stops the IMS SOAP Gateway server .

“-stop :Stop an IMS SOAP Gateway server” on page 58

The **-stop** command stops the IMS SOAP Gateway server.

Starting the IMS SOAP Gateway Administrative Console

The Administrative Console is opened easily for both Windows and AIX. Use the Administrative Console to view your deployed Web services.

Prerequisite: The IMS SOAP Gateway server must be started.

1. To start the IMS SOAP Gateway Administrative Console:
 - For Windows: Navigate to **Start > All Programs > IBM IMS SOAP Gateway Version 9.1 > Administrative Console**.
 - For AIX and Windows: From a Web browser, type **http://hostname:port/imssoap** where *hostname* is the hostname and *port* is the port number where IMS SOAP Gateway is running.

The console opens in a Web browser.

2. Click **View Deployed Web Services**. The list of the currently deployed Web services are displayed. Each item in the list is a link to the Web service’s WSDL file.

Note: If you start the Administrative Console from the same workstation where IMS SOAP Gateway is installed, then you can use the default port number and **http://localhost:8080/imssoap** as the URL.

Related concepts

“IMS SOAP Gateway Administrative Console” on page 2

The IMS SOAP Gateway Administrative Console lists the deployed Web services when the server is started. Each item in the list is a link to the Web service’s WSDL (Web service description language file) file.

Related tasks

“Viewing Deployed Web services” on page 34

You can view the list of Web services being deployed by IMS SOAP Gateway. The IMS SOAP Gateway Administrative Console lists the deployed Web services when the server is started.

“Accessing the WSDL file of a deployed Web service” on page 34

You can access the WSDL file for a web service after it has been deployed to IMS SOAP Gateway. For example, you may want to retrieve the WSDL file to create a client application to access the Web service. There are three ways to access the WSDL file: from the file system, from the Web, and with the SOAP Gateway Administrative Console.

Related reference

“Task 4: Update IMS SOAP Gateway properties” on page 52

This task allows you to set or view IMS SOAP Gateway properties.

“-prop :Set IMS SOAP Gateway properties” on page 59

Use the **-prop** command to modify the IMS SOAP Gateway server properties.

Setting up the connections and correlator file properties for Web services

You must set up the connection bundle and correlator file properties to ensure the proper functioning of the Web service. To set up these properties, use the IMS SOAP Gateway Deployment Utility in either Expert or Interactive mode.

Connection bundles contain the connection and security properties that IMS SOAP Gateway needs to communicate with IMS Connect and IMS. You should define one connection bundle for each IMS system that IMS SOAP Gateway will be communicating with in order to access an IMS application as a Web Service. All the Web services can share the same connection bundle if they run in the same IMS instance.

The correlator file specifies the transaction, runtime, and correlation properties that IMS SOAP Gateway needs to match incoming requests to the appropriate back-end IMS application. Every Web service must have its own correlator file with the name of the connection bundle defined. Therefore, if you update the connection bundle, ensure that the correlator file is also updated as well.

Use either the Interactive or Expert mode of the deployment utility.

- To change the interaction properties, which are in the correlator file:
 - For Interactive Mode, start the deployment utility and select **Task 5: Create, Update or View correlator properties for a Web service**.
 - For Expert Mode, use the **-corr** command.
- To change the connection properties, which are in the connection bundle:
 1. For Interactive Mode, start the deployment utility and select **Task 6: Create, Update, Delete or View the connection bundle for a Web service**.
 2. For Expert Mode, use the **-conn** command.

Related reference

“Task 5: Create, Update or View correlator properties for a Web service” on page 54

This task creates or updates the correlator file by specifying the transaction and runtime correlator properties.

“-corr :Create or update the correlator file” on page 60

The **-corr** command creates or updates the correlator file by specifying transaction and runtime properties.

“Task 6: Create, Update, Delete or View the connection bundle for a Web service” on page 55

With Task 6 you can Create, Update, Delete and View a connection bundle. The connection bundle contains all of the connection properties of the Web service.

“-conn :Create, update, or delete a connection bundle” on page 63

Use the **-conn** command to create, update, or delete a connection bundle.

“Deployment Utility Expert Mode” on page 57

The IMS SOAP Gateway Deployment Utility in Expert Mode includes commands that allow you to specify all the input values to perform tasks for IMS SOAP Gateway in one instruction.

“Deployment Utility in Interactive Mode” on page 51

IMS SOAP Gateway Deployment Utility Interactive Mode provides an interactive user interface which walks you through each command needed to complete a selected task. Interactive mode steps you through tasks by prompting you for input.

Viewing Deployed Web services

You can view the list of Web services being deployed by IMS SOAP Gateway. The IMS SOAP Gateway Administrative Console lists the deployed Web services when the server is started.

Prerequisite: The IMS SOAP Gateway server must be started.

To view the list of deployed Web Services:

1. Open the IMS SOAP Gateway Administrative Console:
 - For Windows: Select **Start -> All Programs -> IBM IMS SOAP Gateway Version 9.1 -> Administrative Console**.
 - For AIX and Windows: From a Web browser, type: `http://hostname:port/imssoap`, where *hostname* is the hostname and *port* is the port number where IMS SOAP Gateway is running.
2. Click **View Deployed Web Services**. A list of Web services that are currently deployed is listed. Each item in the list is a link to the Web service's WSDL file.

Related tasks

"Starting the IMS SOAP Gateway Administrative Console" on page 32

The Administrative Console is opened easily for both Windows and AIX. Use the Administrative Console to view your deployed Web services.

Accessing the WSDL file of a deployed Web service

You can access the WSDL file for a web service after it has been deployed to IMS SOAP Gateway. For example, you may want to retrieve the WSDL file to create a client application to access the Web service. There are three ways to access the WSDL file: from the file system, from the Web, and with the SOAP Gateway Administrative Console.

To retrieve the WSDL file for a deployed Web Service:

- From the file system, locate the WSDL file for the deployed Web services in the directory `<installation_directory>\server\webapps\imssoap\wsdl` (for Windows) and `<installation_directory>/server/webapps/imssoap/wsdl` (for AIX)
- From the Web, locate the WSDL file for the deployed Web services using `http://<hostname:port>/imssoap/services/<service_name>?WSDL`, where *<hostname>* is IMS SOAP Gateway hostname, *<port>* is IMS SOAP Gateway port number, and *<service_name>* is the service name of the Web service being deployed to IMS SOAP Gateway.
- From the Administrative Console, view the WSDL file of the deployed web services using the Administrative Console by clicking the service name of the deployed service in the View Deployed Services page.

Related tasks

"Starting the IMS SOAP Gateway Administrative Console" on page 32

The Administrative Console is opened easily for both Windows and AIX. Use the Administrative Console to view your deployed Web services.

"Deploying the WSDL file" on page 27

Deploying the WSDL is the last step for deploying a Web service to IMS SOAP Gateway.

Changing deployed Web services

After you deploy a Web service, you can change interaction and connection properties by using the IMS SOAP Gateway Deployment Utility.

Use either the Interactive or Expert mode of the deployment utility.

To change the interaction properties, which are in the correlator file:

- For Interactive mode, start the deployment utility and select **Task 5: Create, Update or View correlator properties for a Web service** and select the **Update** option.
- For Expert Mode, use the **-corr** command with the **-u** option.

To change the connection properties, which are in the connection bundle:

- For Interactive mode, start the deployment utility and select **Task 6: Create, Update, Delete or View the connection bundle for a Web service** and select the **Update** option.
- For Expert mode, use the **-conn** command with the **-u** option.

To change the WSDL file, you have to make modifications to the WSDL file manually and then use one of the following to redeploy it:

- For Interactive mode, start the deployment utility and select **Task 7: Deploy the WSDL file** .
- For Expert mode, use the **-deploy** command.

Restart IMS SOAP Gateway after you change the connection properties.

Related reference

“Task 5: Create, Update or View correlator properties for a Web service” on page 54

This task creates or updates the correlator file by specifying the transaction and runtime correlator properties.

“-corr :Create or update the correlator file” on page 60

The **-corr** command creates or updates the correlator file by specifying transaction and runtime properties.

“Task 6: Create, Update, Delete or View the connection bundle for a Web service” on page 55

With Task 6 you can Create, Update, Delete and View a connection bundle. The connection bundle contains all of the connection properties of the Web service.

“-conn :Create, update, or delete a connection bundle” on page 63

Use the **-conn** command to create, update, or delete a connection bundle.

“Task 7: Deploy the WSDL file” on page 56

This task deploys the WSDL file to IMS SOAP Gateway, which allows an IMS application to be accessible as a Web service.

“-deploy :Deploy the WSDL file” on page 64

The **-deploy** command deploys the WSDL file to IMS SOAP Gateway, which allows an IMS application to be enabled as a Web service.

Undeploying a Web service

Undeploying a Web service makes the IMS application unavailable as a Web service.

To undeploy a Web service:

Start the deployment utility either in Interactive or Expert mode.

- For Interactive Mode, select **Task 9: Undeploy a Web service**.
- For Expert Mode, use the **-undeploy** command.

Note: The WSDL and the correlator properties file *do not* get physically removed from the directory when the Web service is being undeployed. You can reuse these files if you need to redeploy the Web service in the future.

Related reference

“Task 9: Undeploy a Web service” on page 57

This task undeploys an application as a Web service. In addition, this task generates client proxy code for a Java client application.

“-undeploy :Undeploy a Web service” on page 66
Use the **-undeploy** command to undeploy a Web service

Changing port number for IMS SOAP Gateway server

The default port number for IMS SOAP Gateway is configured to run on port 8080 and to listen to the SOAP request over the HTTP communication protocol.

To change the default port number:

- From the deployment utility in Interactive mode, select **Task 4: Update IMS SOAP Gateway properties**
- From the deployment utility in Expert mode, use the **-prop** command.

After the port number changes, the URL used to access the Web services running on IMS SOAP Gateway is changed. Therefore, you must change the URL that is used to access the Web services in your client applications.

After the port number is changed, restart IMS SOAP Gateway server.

Related reference

“Task 4: Update IMS SOAP Gateway properties” on page 52

This task allows you to set or view IMS SOAP Gateway properties.

“-prop :Set IMS SOAP Gateway properties” on page 59

Use the **-prop** command to modify the IMS SOAP Gateway server properties.

Chapter 6. Troubleshooting

This section provides information on troubleshooting IMS SOAP Gateway.

Tips for diagnosing Installation Verification Program errors

Running the IVP for IMS SOAP Gateway is usually trouble free. However, if you do experience an error this topic lists the possible errors and recommended solutions for these problems.

If the IVP does not complete successfully, it may be due to one of the following errors:

- A page not found error when accessing the IMS SOAP Gateway IVP Web client from the Web browser. Possible causes for this error are:
 - The IMS SOAP Gateway server may not be started.
 - The host name and port number you specified in the URL of the IVP Web client for IMS SOAP Gateway is not correct.
- You receive the error message, `com.ibm.ims.soap.xmlparser.XMLFileException: IOGS029E: Connection bundle name [imssoapivp] not found.`
 - Possible cause of this error:
 - The connection bundle with the name **imssoapivp** has not been created.
 - IMS SOAP Gateway was not restarted after the connection bundle **imssoapivp** was created.
 - User action:
 - Follow the instructions in "Verifying the installation of IMS SOAP Gateway" to create a connection bundle named **imssoapivp**.
 - Ensure that you restart IMS SOAP Gateway after you create the connection bundle and before you run the IVP.
- You receive the error message, `com.ibm.ims.soap.server.IMSSOAPException: IOGC003E: Failed to send and receive messages from IMS Connect. Hostname [hostname], port [port]. [SocketException: Connection reset]`
 - Possible cause of this error:
 - The User Message Exit HWSSOAP1 has not been properly installed with IMS Connect to handle the input message from IMS SOAP Gateway. If this happen, you will also see the following message on the z/OS® console for associated IMS Connect, HWSP1445E UNKNOWN EXIT NAME SPECIFIED IN MESSAGE PREFIX; MSGID=*HWSO1*/ HWSO1 , M=SDRC.
 - User action: Follow the instructions in "Setting up the user exit routine for IMS Connect" to ensure that the User Message Exit HWSSOAP1 installed properly.
- An error message returned when you invoke the IMS SOAP Gateway IVP Web client.
 - Possible cause of this error:
 - Invalid data was specified when configuring the connection bundle properties for the host IMS environment. For example:
 - The IMS host name is misspelled and is not sufficiently qualified (for TCP/IP communication).
Attention: In some environments the IP address may be required.
 - An incorrect IMS Port Number was specified for the target IMS Connect (for TCP/IP communication).
 - IMS Datastore name is invalid for the target IMS or is misspelled. Datastore name must be in uppercase characters.
 - IMS is not running.

- IMS Connect is not running. For more information IMS Connect, see the *IMS Version 9: IMS Connect Guide and Reference* .
 - The IMS Connect port is not active. Use the IMS Connect command **VIEWHWS** to determine if the port is active. Use the IMS Connect command **OPENPORT** to activate an IMS Connect port.
 - The target IMS datastore is not active. Use the IMS Connect command **VIEWHWS** to determine if the datastore is active. Use the IMS Connect command **OPENDS** to activate a IMS datastore.
 - TCP/IP failure. Always ensure a successful ping to your IMS environment prior to running the IVP.
- User action: Check the IMS SOAP Gateway messages and codes for the error message to perform the appropriate user action.

Related tasks

“Verifying the installation of IMS SOAP Gateway” on page 7

To verify the installation of IMS SOAP Gateway, use the IMS SOAP Gateway Installation Verification Program (IVP).

Diagnosing runtime errors

The topics in this section provide information on how to log and trace information to diagnose problems, as well as listing the error messages for IMS SOAP Gateway.

IMS SOAP Gateway logs the error messages in the following two places:

- For Windows only: IMS SOAP Gateway Server Window
- IMS SOAP Gateway log file

Tracing

You can turn on internal tracing for IMS SOAP Gateway to help diagnosis problems. The trace level can be changed to control the amount of logging and tracing.

To set the trace levels for IMS SOAP Gateway:

1. Start IMS SOAP Gateway Deployment Utility.
 - For Interactive mode, select **Task 4: Update IMS SOAP Gateway properties**.
 - For Expert mode, Use the **-prop** command.
2. Change to the desired trace level using the following values:

Table 1. Trace level values and description

| Trace level value | Trace level | Description |
|-------------------|-------------|---|
| 1 | Fatal | Only errors and exceptions are logged. This is the default level. |
| 2 | Error | If the value is not divisible by 10, it is converted to the next greater increment of 10. |
| 3 | Warn | Errors and exceptions plus warning messages are logged. |

Table 1. Trace level values and description (continued)

| Trace level value | Trace level | Description |
|-------------------|-------------|---|
| 4 | Information | Errors and exceptions, information of important events are logged. |
| 5 | Debug | Errors and exceptions, the entry and exit of important events and functions, and the contents of buffers sent to and received from IMS Connect and IMS SOAP Gateway are logged. |

- Restart IMS SOAP Gateway after the trace level is changed.

Related reference

“Task 4: Update IMS SOAP Gateway properties” on page 52

This task allows you to set or view IMS SOAP Gateway properties.

“-prop :Set IMS SOAP Gateway properties” on page 59

Use the **-prop** command to modify the IMS SOAP Gateway server properties.

Changing the log file

IMS SOAP Gateway logs all informational and error messages. By default the log file is located in <installation_directory>\server\logs\imssoap.log. You can change the log file by changing the log filename and location using the IMS SOAP Gateway deployment utility.

To change the log file for IMS SOAP Gateway:

Start IMS SOAP Gateway Deployment Utility.

- For Interactive mode, select **Task 4: Update IMS SOAP Gateway properties**.
- For Expert mode, use the **-prop** command.

Related reference

“Task 4: Update IMS SOAP Gateway properties” on page 52

This task allows you to set or view IMS SOAP Gateway properties.

“-prop :Set IMS SOAP Gateway properties” on page 59

Use the **-prop** command to modify the IMS SOAP Gateway server properties.

Messages for IMS SOAP Gateway

IMS SOAP Gateway returns messages with the prefixes IOGC, IOGS, and IOGX.

IOGC messages

IOGC messages are messages that result from errors from IMS or IMS Connect.

IOGC001E:

Failed to connect to IMS Connect. Hostname[hostname], port [portnumber]. [error_message].

Explanation

IMS SOAP Gateway was unable to connect to the host and port combination. The *error_message* indicates the reason for the failure to connect.

User action

Examine the error message to determine the reason for the failure to connect to the host. Possible errors:

UnknownHostException: *hostname*

The hostname that you specified in the connection bundle is invalid. You might have to use the fully qualified path for host name or the IP address.

ConnectException: Connection refused

Possible reasons:

- The port number is invalid. Ensure that you are using a valid port number for the IMS Connect indicated by hostname.
- The specified port is stopped. You can determine whether the port is stopped by using the IMS Connect command VIEWHWS. If the port is stopped, its status is NOT ACTIVE. Use the IMS Connect command OPENPORT *portnumber* to start the port.
- IMS Connect on the specified host is not running. Start IMS Connect on the host system.
- TCP/IP was restarted without canceling and restarting IMS Connect or issuing the command STOPPORT followed by OPENPORT on the host.

SocketException: Network is unreachable: connect

Possible reasons:

- The system with the specified host name is unreachable on the TCP/IP network. Ensure that the host system is accessible from the TCP/IP network by issuing the ping command to the specified host system from the system on which IMS SOAP Gateway is running. Start TCP/IP on the host if it is not started.
- TCP/IP was restarted, but the status of the port that is used by the application was NOT ACTIVE. To fix the problem, you can do one of the following:
 - Use the IMS Connect command OPENPORT *portnumber* to start the port.
 - Restart IMS Connect.

IOGC002E:

Socket timeout value [*socket_timeout*] is invalid. [*error_message*].

Explanation

The value *socket_timeout* that was specified for the socket timeout property in the correlator file is not valid. *error_message* denotes the reason for the failure.

User action

One of possible errors is `IllegalArgumentException: timeout can't be negative`, which indicates that a negative value has been provide for the socket timeout value. Ensure a positive numerical value was given for the socket timeout in the correlator file.

IOGC003E:

Failed to send and receive messages from IMS Connect. Hostname [*hostname*], port [*portnumber*]. [*error_message*].

Explanation

IMS SOAP Gateway was unable to successfully complete a send and receive interaction with the target IMS Connect. *error_message* indicates the reason for the failure to complete the interaction.

User action

Possible values for *error_message* and their associated user actions:

EOFException

A possible reason for this exception is that IMS Connect has closed the connection because of an error occurred. See the z/OS® console for associated IMS Connect error messages. IMS Connect error messages begin with the characters " HWS." For more diagnostic information on the other return code and reason code values, and IMS Connect error messages, see the *IMS Version 9: IMS Connect Guide and Reference*.

SocketException: Connection reset by peer: socket write error

Possible reasons for the exception are:

- The underlying socket connection that is used for the interaction is no longer connected to IMS Connect. This can happen if IMS Connect is restarted during the interaction.
- TCP/IP on the host is shutting down.

SocketException: Connection reset

A possible reason for this exception is that IMS Connect has closed the connection because of an error occurred. See the z/OS® console for associated IMS Connect error messages. IMS Connect error messages begin with the characters " HWS." For more diagnostic information on the other return code and reason code values, and IMS Connect error messages, see the *IMS Version 9: IMS Connect Guide and Reference*.

Another possible reason is that the User Message Exit HWSSOAP1 has not been properly installed with IMS Connect to handle the input message from IMS SOAP Gateway. See the following message on the z/OS® console for associated IMS Connect:

```
HWSP1445E UNKNOWN EXIT NAME SPECIFIED IN MESSAGE PREFIX; MSGID=*HWSOAP1*/ HWSSOAP1 , M=SDRC
```

Follow the instructions in IOG/configuringimsconnectforimsssoapgateway.dita to have your User Message Exit HWSSOAP1 installed properly to resolve the problem.

IOGC005E:

IMS SOAP Gateway internal error. [*error_message*]

Explanation

An internal error has occurred in IMS SOAP Gateway.

User action

Contact IBM Software Support. Specify the error message when reporting the problem.

IOGC007E:

IMS Connect had an internal error. Return code: [*returncode*], Reason code: [*reasoncode*].

Explanation

An internal error has occurred in IMS Connect.

User action

Contact IBM Software Support. Specify the return code and reason code when reporting the problem.

IOGC008E:

IMS returned an error: *[DFS_message]*

Explanation

IMS returned the IMS message *DFS_message* instead of the transaction output message.

User action

See the message explanation in *IMS Version 9: Messages and Codes Volume 2*. Some of the possible messages are:

- DFS065 hh:mm:ss TRAN/LTERM STOPPED

The IMS transaction that the client wants to invoke is stopped. The transaction might have been stopped by the

- DFS1292E SECURITY VIOLATION

IMS OTMA has rejected the IMS transaction request because it failed the security check. Ensure that the user ID

- DFS064 hh:mm:ss DESTINATION CAN NOT BE FOUND OR CREATED

The transaction code value in the input request could not be recognized as a valid IMS transaction. Ensure that correlator properties is valid.

IOGC009E:

The value *[lterm]* for the LTERM property exceeds 8 characters.

Explanation

The value of the LTERM property exceeds eight characters.

User action

Correct the length of the LTERM property value in the correlator properties for the Web service to be less than or equal to eight characters.

IOGC010E:

The value *[password]* of the Password property exceeds 8 characters.

Explanation

The value of the password property exceeds eight characters.

User action

Correct the length of the password property value in the connection bundle properties for the Web service to be less than or equals to eight.

IOGC011E:

The value *[user ID]* of the User ID property exceeds 8 characters.

Explanation

The value of the user name property exceeds eight characters.

User action

Correct the length of the user name property value in the connection bundle properties for the Web service to be less than or equal to eight characters.

IOGC012E:

The value [*groupname*] of the Group name property exceeds 8 characters.

Explanation

The value of the group name property exceeds eight characters.

User action

Correct the length of the group name property value in the connection bundle properties of the Web service to be less than or equal to eight characters.

IOGC013E:

The value [*datastore*] of the Datastore name property exceeds 8 characters.

Explanation

The value of the datastore name property exceeds eight characters.

User action

Correct the length of the datastore name property value in the correlator properties of the Web service to be less than or equal to eight characters.

IOGC020E:

The Execution timeout property value [*executiontimeout*] is invalid. The execution timeout value must either be -1 or in the range from 0 to 3 600 000 milliseconds.

Explanation

The execution timeout property value [*executiontimeout*] is invalid.

User action

Change the execution timeout property to between -1 to 3 600 000 in the correlator properties of the Web service.

IOGC028E:

The IMS Connect RSM message is formatted incorrectly. Unable to retrieve the content.

Explanation

An internal error has occurred in IMS Connect.

User action

Contact IBM Software Support.

IOGC029E:

The IMS Connect message is not formatted correctly.

Explanation

An internal error has occurred in IMS Connect.

User action

Contact IBM Software Support.

IOGC034E:

Socket Timeout has occurred for this interaction. The Socket Timeout value specified was [*sockettimeout*] milliseconds. [*error_message*]

Explanation

The time for IMS SOAP Gateway to receive a response from IMS Connect is greater than the time specified for the socket timeout.

The *error_message* explains the reason for the error. A common error is [SocketTimeoutException: Read timed out], which indicates that a timeout occurred when IMS SOAP Gateway was trying to read a message from IMS Connect from the TCP/IP socket.

User action

Review the error message. Ensure that the value of the socket timeout is sufficient for IMS SOAP Gateway to receive a response from IMS Connect. If it is not, increase the socket timeout value in the correlator properties for the Web service. If the value of the socket timeout given is sufficient, it is possible that network problems are causing delays. Contact your network administrator.

IOGC035E:

IMS Connect default timeout has occurred for this interaction.

Explanation

The IMS Connect timeout value that is specified in the IMS Connect configuration member has been expired. The IMS Connect timeout value has been used because the execution timeout property for this interaction was not specified in the correlator file or has been set to zero.

User action

If the IMS Connect TIMEOUT value is not what you expected, modify the timeout value in the IMS Connect configuration member. For more information about changing the timeout value for IMS Connect, see *IMS Version 9 IMS Connect Guide and Reference* .

If you expect to use an execution timeout value instead of the IMS Connect timeout value, ensure that have a valid execution timeout specified in the correlator properties for the Web service.

IOGC036E:

Execution timeout has occurred for this interaction. The timeout value used was [executiontimeout] milliseconds.

Explanation

The time it took for IMS Connect to send a message to IMS and receive the response was greater than the execution timeout value that was rounded to an appropriate execution timeout interval. IMS SOAP Gateway converts the value of the execution timeout property in the correlator file to a value that IMS Connect can use.

User action

If the rounded execution timeout value is not what you expected, see the following table of conversion rules and change the execution timeout value in the correlator file as appropriate.

Table 2. Execution timeout value conversion rules

| Range of execution timeout values in the correlator file | Conversion rule |
|--|---|
| 1 – 250 | If the value is not divisible by 10, it is converted to the next greater increment of 10. |
| 251 – 1 000 | If the value is not divisible by 50, it is converted to the next greater increment of 50. |
| 1 001 – 60 000 | If the value is not divisible by 1 000, it is converted to the next greater increment of 1 000. Values that are exactly between increments of 1 000 are converted to the next greater increment of 1 000. |
| 60 001 – 3 600 000 | The value is converted to the nearest increment of 60 000. Values that are exactly between increments of 60 000 are converted to the next greater increment of 60 000. |

IOGC041E:

IMS Connect returns an error. Return code: [returncode]. Reason code: [reasoncode]. [error_message]

Explanation

IMS Connect returned an error. *error_message* provides a brief description of the *reasoncode*.

User response

Look at the error message to determine the reason for the failure. Possible errors are:

- Return code: [8]. Reason code:[40]. [Security violation. User ID [userid], Group ID[groupid]]

IMS Connect rejected the IMS transaction request because it failed the security check.

- Return code: [4]. Reason code:[72]. [IMS Datastore [datastore] not found]

The specified IMS datastore name cannot be found. Look at the IMS Connect configuration file and ensure that

- Return code: [4]. Reason code:[74]. IMS Datastore [datastore] in stop or close process
- The IMS with the datastore name *datastore* is in stop and shutdown process. Invoke the IMS transaction request again after IMS has been restarted.

In addition, see the z/OS console for associated IMS Connect error messages. IMS Connect error messages begin with the characters " HWS." For more diagnostic information on the other return code and reason code values, and IMS Connect error messages, see the *IMS Version 9: IMS Connect Guide and Reference*.

IOGC042E:

The value [*trancode*] of the IMS Transaction code property exceeds 8 characters.

Explanation

The value of the transaction code property exceeds eight characters.

User action

Correct the length of the transaction code property value in the correlator properties of the Web service to be less than or equals to eight characters.

IOGS messages

IOGS messages are returned from the SOAP server.

IOGS001E:

Invalid SOAP URN [*urnname*] in SOAP message.

Explanation

The SOAP action URN in the client request does not match the SOAP action URNs of any of the deployed Web services. This could happen because the Web service has not been successfully deployed to the IMS SOAP Gateway. This could also happen if the correct WSDL file is not used for proxy code generation.

User action

The following actions can be taken to address the problem:

1. Ensure that the Web Service has been successfully deployed to the IMS SOAP Gateway.
2. Ensure that the correct WSDL file is used for proxy code generation. The SOAPAction element in the WSDL file must match the URN in the client request message and the name of the correlator file for the Web service.

IOGS023E:

The IMS Connect Port Number property value [*value*] is invalid.

Explanation

The value of the IMS Connect port number property is invalid. For example, the value is not an integer.

User response

Examine the IMS Connect port number property value in the connection bundle properties of the Web service and ensure that it is a valid integer value.

IOGS024E:

The Socket Timeout property value [*value*] is invalid.

Explanation

The value of the Socket Timeout property is invalid. For example, the value is not an integer.

User response

Examine the Socket Timeout property value in the correlator properties of the Web service and ensure that it is a valid integer value.

IOGS025E:

Error processing the output message from IMS. A null value was returned.

Explanation

IMS SOAP Gateway received an empty message from IMS.

User response

Look at the IMS SOAP Gateway and IMS traces to determine the problem. Ensure that IMS returns an output message.

IOGS026E:

The Execution Timeout property value [*value*] is invalid.

Explanation

The value of the Execution Timeout property is invalid. For example, it is not an integer

User response

Examine the Execution Timeout property value in the correlator file of the Web service and ensure that it is a valid integer value.

IOGS027E:

Error processing output message. [*error_message*].

Explanation

An error occurred when processing the IMS[™] output message. Possible reasons are as follows:

- The output message that was returned from the IMS application is not a valid XML document.
- The XML document that was returned from the IMS application does not match the schema definition of the output message that is defined in the WSDL document of the Web service.

User action

Examine the output message from the IMS application and verify the following:

- Ensure that the output message is a valid XML document. For example, make sure that the output data is enclosed in the appropriate matching XML tags.
- Ensure the output XML message is encoded with the code page supported by IMS SOAP Gateway.
- Ensure that the output XML message matches the schema definition of the output message in the WSDL file. If it does not match, you can either correct the IMS application or correct the WSDL file. If you choose to correct the WSDL file, be sure to deploy the corrected WSDL file to IMS SOAP Gateway.

IOGS029E:

Connection bundle name [*connbundle*] not found in connbundle file.

Explanation

The value of the Connection Bundle name property specified in the correlator properties of the Web service is not found.

User response

Change the connection bundle name in the correlator properties for the Web Service to match one that is properly defined in the connection bundle properties for IMS SOAP Gateway.

IOGS030E:

Correlator file [*correlator_filename*] for SOAP URN [*urn*] cannot be found.

Explanation

The correlator file for the SOAP request is not found. Possible reasons are:

- The correlator file has not been created successfully when the Web Service is deployed.
- The correlator file has been removed from IMS SOAP Gateway.

User response

Recreate the correlator file for the Web Service using the IMS SOAP Gateway Deployment Utility.

IOGS501E:

IMS SOAP Gateway could not find the Web Service to invoke. Target Web service is [*service_name*].

Explanation

IMS SOAP Gateway could not find the Web service to invoke. The Web Service *service_name* is not deployed to IMS SOAP Gateway.

User response

Ensure the Web service *service_name* is deployed to IMS SOAP Gateway. Check the IMS SOAP Gateway server console to make sure that the Web service is deployed.

Also, verify that the client is sending the correct name of the Web service. The Web service name is the name attribute value of the port element in the WSDL file.

IOGS502E:

IMS SOAP Gateway cannot find the operation [*operation_name*].

Explanation

IMS SOAP Gateway could not find the operation *operation_name* for the Web service. Possible reasons are:

- The Web service with the associated operation has not been successfully deployed to the IMS SOAP Gateway.

- The client is not built correctly to invoke the Web service. For example, an incorrect WSDL file is used to build the client application.

User response

Ensure that the Web Service deployed to the IMS SOAP Gateway has the operation defined. This can be verified by looking at the WSDL file. Verify the client is sending the correct operation name.

IOGS503E:

The envelope namespace of the SOAP message is invalid: [*namespace_name*]

Explanation

The envelope namespace *namespace_name* of the SOAP message is not valid.

User response

Ensure that the client is sending a valid SOAP message to IMS SOAP Gateway.

IOGS504E:

The envelope tag of the SOAP message is invalid: [*tag_name*]

Explanation

The envelope tag name of the SOAP message is not valid.

User response

Ensure that the client is sending a valid SOAP message to IMS SOAP Gateway.

IOGS505E:

The SOAP message does not contain a body element.

Explanation

The body part is not found in the SOAP message.

User response

Ensure that the client is sending a valid SOAP message that contains the body element with the input data to IMS SOAP Gateway.

IOGX messages

IOGX messages are returned from the XML parser.

IOGX002E:

Error encountered with the connection bundle properties [*connbundle_file*]: [*error_message*]

Explanation

The connection bundle file is invalid and it does not conform to its schema definition. Possible reason is the connection bundle file has been modified manually instead of using IMS SOAP Gateway deployment utility.

User action

Recreate the connection bundle file using IMS SOAP Gateway deployment utility. You have to first remove the invalid connection bundle file located in `[connbundle_file]`. You may need to note down the property values in the invalid connection bundle file before you create the new one.

Alternatively, you may modify the connection bundle file to be compliant with the schema `installation_directory\server\webapps\imsssoap\xml\connbundle.xsd`.

IOGX003E:

Error encountered with correlator properties `[correlator_file]:[error message]`.

Explanation

The correlator file is invalid and it does not conform to its schema definition. Possible reason is the correlator file has been modified manually instead of using IMS SOAP Gateway deployment utility.

User action

Recreate the correlator file using IMS SOAP Gateway deployment utility. You have to first remove the invalid correlator file located in `[correlator_file]`. You may need to note down the property values in invalid correlator file before you create the new one.

Alternatively, you may modify the correlator file to be compliant with the file `installation_directoryserver\webapps\imsssoap\xml\correlator.xsd`.

Chapter 7. Reference for the deployment utility

This section provides reference information for the tasks and commands related to the IMS SOAP Gateway Deployment Utility.

Deployment Utility in Interactive Mode

IMS SOAP Gateway Deployment Utility Interactive Mode provides an interactive user interface which walks you through each command needed to complete a selected task. Interactive mode steps you through tasks by prompting you for input.

To invoke a task in interactive mode:

1. Start the IMS SOAP Gateway Deployment Utility.
 - For Windows: Select **Start** → **All Programs** → **IBM IMS SOAP Gateway Version 9.1** → **Deployment Utility**.
 - For AIX: Run **iogdeploy.sh** in the <installation_dir>/deploy directory.

The IMS SOAP Gateway Deployment Utility menu is opens.

2. From the IMS SOAP Gateway Deployment Utility menu, choose the desired task and press **Enter**.
3. Follow the instructions for each step to complete the task. Type **cancel** on the command line at any time during a task and return to the IMS SOAP Gateway Deployment Utility menu.

The deployment utility has options to perform different tasks.

Related concepts

“IMS SOAP Gateway Deployment Utility” on page 1

The IMS SOAP Gateway Deployment Utility allows you to set up properties and create runtime code that IMS SOAP Gateway uses to enable IMS applications as Web services.

Related tasks

“Specifying the correlator properties for a Web service” on page 26

Correlator properties specify how to interact with the IMS application for the Web service. Each deployed application or Web service must have a correlation file associated with it.

“Specifying the connection properties of the connection bundle” on page 25

Creating a connection bundle consists of specifying the connection properties between IMS SOAP Gateway, IMS Connect, and IMS.

“Specifying the correlator properties for a Web service” on page 26

You must set up the connection bundle and correlator file properties to ensure the proper functioning of the Web service. To set up these properties, use the IMS SOAP Gateway Deployment Utility in either Expert or Interactive mode.

Task 1: Enable your IMS application as Web service from start to finish

Task 1 of the deployment utility allows you to deploy and set up properties to make your IMS application accessible as a Web Service.

Tasks 1 overview

1. From the IMS SOAP Gateway Deployment Utility menu, type **1** and press **Enter**.
2. The deployment utility prompts you through the following tasks:
 - a. Specifying which WSDL file to use for the deployment.
 - b. Specifying the connection and security information for the Web service to create a connection bundle.

- c. Specifying the interaction properties of the Web service to create a correlator file.
- d. Deploying the Web service to IMS SOAP Gateway.

To verify that the Web service was deployed successfully, open the IMS SOAP Gateway Administrative Console and ensure that the deployed Web service is listed.

After you deploy the Web service, the next step is to generate the client code.

Related tasks

“Deploying a Web service with IMS SOAP Gateway” on page 24

Use the deployment utility to deploy an application as a Web service. You can use the deployment utility in either Interactive or Expert mode.

Task 2: Start IMS SOAP Gateway

This task starts the IMS SOAP Gateway server.

Tasks 2 overview

1. From the IMS SOAP Gateway Deployment Utility menu, type **2** and press **Enter**.
2. IMS SOAP Gateway server starts. An additional window opens titled IMS SOAP Gateway. This window has information about the startup of the server. If the server started successfully, the following informational message is displayed at the end of the output:

INFO : IMS SOAP Gateway server is now up and running.

Related tasks

“Starting the IMS SOAP Gateway server” on page 31

There are several ways to start the IMS SOAP Gateway server including using the deployment utility in either Interactive or Expert mode.

Task 3: Stop IMS SOAP Gateway

This task stops the IMS SOAP Gateway server .

Tasks 3 overview

1. From the IMS SOAP Gateway Deployment Utility menu, type **3** and press **Enter**.
2. The IMS SOAP Gateway server stops. For Windows only: In addition, the informational window titled IMS SOAP Gateway which opened when the IMS SOAP Gateway server was started, is closed

Related tasks

“Stopping IMS SOAP Gateway server” on page 31

There are several ways to stop the IMS SOAP Gateway server using the deployment utility in either Interactive or Expert mode.

Task 4: Update IMS SOAP Gateway properties

This task allows you to set or view IMS SOAP Gateway properties.

Task 4 overview

1. From the IMS SOAP Gateway Deployment Utility menu, type **4** and press **Enter**.
2. You can modify and view the IMS SOAP Gateway properties:
3. The IMS SOAP Gateway needs to be restarted after changing the properties for them to take effect.

Properties

Use the following parameters to modify the IMS SOAP Gateway properties.

IMS SOAP Gateway port number

Specify the port number for the IMS SOAP Gateway server. IMS SOAP Gateway is configured to run and listen on the SOAP request over the HTTP communication protocol using port 8080 by default. The port number must be a non-negative number.

Trace level

Specify the trace level. The trace level controls the amount of logging and tracing with IMS SOAP Gateway. The trace level can be one of the following values:

Table 3. Trace level values

| Trace level value | Trace level | Description |
|-------------------|-------------|---|
| 1 | Fatal | Only errors and exceptions are logged. This is the default level. |
| 2 | Error | If the value is not divisible by 10, it is converted to the next greater increment of 10. |
| 3 | Warn | Errors and exceptions plus warning messages are logged. |
| 4 | Information | Errors and exceptions, information of important events are logged. |
| 5 | Debug | Errors and exceptions, the entry and exit of important events and functions, and the contents of buffers sent to and received from IMS Connect and IMS SOAP Gateway are logged. |

Log file

Specify the location and the filename for the log file. The log file name of the file which contains the logging and tracing messages.

Related tasks

“Tracing” on page 38

You can turn on internal tracing for IMS SOAP Gateway to help diagnosis problems. The trace level can be changed to control the amount of logging and tracing.

“Changing the log file” on page 39

IMS SOAP Gateway logs all informational and error messages. By default the log file is located in <installation_directory>\server\logs\imssoap.log. You can change the log file by changing the log filename and location using the IMS SOAP Gateway deployment utility.

“Changing port number for IMS SOAP Gateway server” on page 36

The default port number for IMS SOAP Gateway is configured to run on port 8080 and to listen to the SOAP request over the HTTP communication protocol.

“Starting the IMS SOAP Gateway Administrative Console” on page 32

The Administrative Console is opened easily for both Windows and AIX. Use the Administrative Console to view your deployed Web services.

Task 5: Create, Update or View correlator properties for a Web service

This task creates or updates the correlator file by specifying the transaction and runtime correlator properties.

Task 5 overview

1. From the IMS SOAP Gateway Deployment Utility menu, type **5** and press **Enter**.
2. Enter **c** to create a new correlator file, **u** to update an existing file and **v** to view the correlator.
If you create or update a new correlator file, you must provide the WSDL file name of the Web service in which you create the correlator file. You can update multiple properties after choosing the Update option. press **Enter** to save all your updates or type **cancel** to exit the update mode without committing the changes.
3. Create, Update or View the correlator properties.

Properties

Connection bundle name

Specifies a connection bundle name. The name must be less than or equal to 20 characters. Required.

Socket timeout

Specifies the socket timeout in milliseconds. The timeout value for IMS SOAP Gateway to receive a response from IMS Connect before disconnecting the socket and returning an error. The value must be greater than or equal to zero. Optional.

Execution timeout

Specifies the execution timeout in milliseconds. The timeout value for IMS Connect to send a message to IMS and receive the response. The value must be between -1 and 3 600 000, inclusively. That is, the execution Timeout value must be greater than zero and less than or equal to one hour. The execution timeout value can also be -1 if you want an interaction to run without a time limit. The execution timeout value cannot contain non-numeric characters.

If you do not specify an execution timeout value or if the value that you specify is invalid, the timeout value in the IMS Connect configuration member is used and the interaction continues to run. If a valid execution timeout value is set, this value is converted into a value that IMS Connect can use. The following table describes how the values you specify are converted to the values that IMS Connect uses:

Table 4. Execution timeout value conversion rules

| Range of execution timeout values in the correlator file | Conversion rule |
|--|---|
| 1 – 250 | If the value is not divisible by 10, it is converted to the next greater increment of 10. |
| 251 – 1 000 | If the value is not divisible by 50, it is converted to the next greater increment of 50. |
| 1 001 – 60 000 | If the value is not divisible by 1 000, it is converted to the next greater increment of 1 000. Values that are exactly between increments of 1 000 are converted to the next greater increment of 1 000. |
| 60 001 – 3 600 000 | The value is converted to the nearest increment of 60 000. Values that are exactly between increments of 60 000 are converted to the next greater increment of 60 000. |

The default is zero. Optional.

Lterm name

Specifies the name used to override the value in the LTERM field of the IMS application program's I/O PCB. The name must be eight characters or less. Optional.

trancode

Specifies the IMS transaction code of the IMS application that is invoked by the Web service. The transaction code value must be eight characters or less. If the transaction code is less than eight characters, IMS SOAP Gateway adds blanks to the end of the transaction code value. If you want to add trailing spaces to the transaction code value, enclosed the value with double quotes (for example, "MYTRCD "). IMS SOAP Gateway removes the quotes at runtime. If you do not specify a transaction code, no transaction code will be added by IMS SOAP Gateway to the input message before it sends the message to IMS.

Related tasks

"Specifying the correlator properties for a Web service" on page 26

Correlator properties specify how to interact with the IMS application for the Web service. Each deployed application or Web service must have a correlation file associated with it.

"Specifying the correlator properties for a Web service" on page 26

You must set up the connection bundle and correlator file properties to ensure the proper functioning of the Web service. To set up these properties, use the IMS SOAP Gateway Deployment Utility in either Expert or Interactive mode.

"Specifying the connection properties of the connection bundle" on page 25

Creating a connection bundle consists of specifying the connection properties between IMS SOAP Gateway, IMS Connect, and IMS.

"Changing deployed Web services" on page 34

After you deploy a Web service, you can change interaction and connection properties by using the IMS SOAP Gateway Deployment Utility.

Task 6: Create, Update, Delete or View the connection bundle for a Web service

With Task 6 you can Create, Update, Delete and View a connection bundle. The connection bundle contains all of the connection properties of the Web service.

Task 6 overview

1. From the IMS SOAP Gateway Deployment Utility menu, type **6** and press **Enter**.
2. Enter **c** to create a new connection bundle, **u** to update an existing one, **v** to view the connection bundle or **d** to delete an existing connection bundle.
3. Enter the name of the connection bundle that you want to create, updated, view or deleted. If you create a new connection bundle file, this name must be twenty characters or less and contain no spaces. If you update an existing connection bundle, you need to provide the existing connection bundle name. You can update multiple properties after choosing the update option. press **Enter** to save all your updates or type **cancel** to exit the update mode without committing the changes.
4. You can create, update or delete the connection properties.

Properties

Host name

Specifies the name or IP address of the host system where IMS Connect is running.

Port number

Specifies the port number of the host system where IMS Connect is running. The port number must be a nonnegative number. Default is 9999.

Datastore

Specifies the name of the target IMS datastore. The name must match the ID parameter of the Datastore statement that is specified in the IMS Connect configuration member. This name also serves as the XCF member name for IMS during internal XCF communications between IMS Connect and IMS OTMA. The name must be eight characters or less.

User ID

The default security authorization facility (SAF) user name that will be used for connections with IMS. The user ID must be eight characters or less.

Password

Specifies the password that will be used for connections with IMS. The password must be eight characters or less.

Groupname

Specifies the name of the group that will be used for connections with IMS. The name must be eight characters or less.

Related tasks

“Specifying the correlator properties for a Web service” on page 26

Correlator properties specify how to interact with the IMS application for the Web service. Each deployed application or Web service must have a correlation file associated with it.

“Specifying the correlator properties for a Web service” on page 26

You must set up the connection bundle and correlator file properties to ensure the proper functioning of the Web service. To set up these properties, use the IMS SOAP Gateway Deployment Utility in either Expert or Interactive mode.

“Specifying the connection properties of the connection bundle” on page 25

Creating a connection bundle consists of specifying the connection properties between IMS SOAP Gateway, IMS Connect, and IMS.

“Changing deployed Web services” on page 34

After you deploy a Web service, you can change interaction and connection properties by using the IMS SOAP Gateway Deployment Utility.

Task 7: Deploy the WSDL file

This task deploys the WSDL file to IMS SOAP Gateway, which allows an IMS application to be accessible as a Web service.

Task 7 overview

1. From the IMS SOAP Gateway Deployment Utility menu, type 7 and press **Enter**.
2. Specify the name of the WSDL file that you want to deploy. If the WSDL file is located in the IMS SOAP Gateway WSDL directory (installation_directory\server\webapps\imsssoap\wsdl), simply specify the file name. If the WSDL is located in another location, you must specify the full path name of the file. If you have previously deployed or are redeploying the WSDL file, the file location is the IMS SOAP Gateway WSDL directory.
3. Specify the correlator file to use. If the Correlator file is in the IMS SOAP Gateway XML directory (installation_directory\server\webapps\imsssoap\xml), you only need to specify the file name. If the correlator file is anywhere else, you must specify the full path to the file as well. If you have previously deployed or are redeploying the WSDL file, the file location is the IMS SOAP Gateway XML directory.

Related tasks

“Changing deployed Web services” on page 34

After you deploy a Web service, you can change interaction and connection properties by using the IMS SOAP Gateway Deployment Utility.

Task 8: Generate Java client code

This task generates client proxy code for a Java client application.

Task 8 overview

1. From the IMS SOAP Gateway Deployment Utility menu, type **8** and press **Enter**.
2. Specify which WSDL file to use. If the WSDL file is in the IMS SOAP Gateway WSDL directory (`installation_directory\server\webapps\imssoap\wsdl`), you only need to specify the file name. If the WSDL is located anywhere else, you must specify the full path to the file as well.
3. Specifies the directory for the generated proxy code.

Related tasks

“Generating the Java proxy code” on page 29

You can generate client proxy code in Java by using the IMS SOAP Gateway Deployment Utility

Task 9: Undeploy a Web service

This task undeploys an application as a Web service. In addition, this task generates client proxy code for a Java client application.

Task 9 overview

1. From the IMS SOAP Gateway Deployment Utility menu, type **9** and press **Enter**.
2. Specify the name of the WSDL file associated with the Web service that you want to undeploy and press **Enter**.

The Web service is undeployed from IMS SOAP Gateway.

Related tasks

“Undeploying a Web service” on page 35

Undeploying a Web service makes the IMS application unavailable as a Web service.

Task 10: Exit the IMS SOAP Gateway Deployment Utility

Use this task to exit the deployment utility.

Task 10 overview

From the IMS SOAP Gateway Deployment Utility menu, type **10** and press **Enter**. The IMS SOAP Gateway Deployment Utility exits. In addition, you can type **exit** on the command line for any task in the deployment utility to exit the tool.

Deployment Utility Expert Mode

The IMS SOAP Gateway Deployment Utility in Expert Mode includes commands that allow you to specify all the input values to perform tasks for IMS SOAP Gateway in one instruction.

iogdeploy command

To use the deployment utility in Expert mode, enter the command **iogdeploy** (for AIX, type **iogdeploy.sh**) from the installation directory where the IMS SOAP Gateway is installed (`<installation_dir>\deploy`). After you type the command, you can enter options depending on the task that you want to perform.

Example

```
c:\Program Files\IBM\IMS SOAP Gateway\deploy>iogdeploy -start
```

Related concepts

“IMS SOAP Gateway Deployment Utility” on page 1

The IMS SOAP Gateway Deployment Utility allows you to set up properties and create runtime code that IMS SOAP Gateway uses to enable IMS applications as Web services.

Related tasks

“Specifying the correlator properties for a Web service” on page 26

Correlator properties specify how to interact with the IMS application for the Web service. Each deployed application or Web service must have a correlation file associated with it.

“Specifying the connection properties of the connection bundle” on page 25

Creating a connection bundle consists of specifying the connection properties between IMS SOAP Gateway, IMS Connect, and IMS.

“Specifying the correlator properties for a Web service” on page 26

You must set up the connection bundle and correlator file properties to ensure the proper functioning of the Web service. To set up these properties, use the IMS SOAP Gateway Deployment Utility in either Expert or Interactive mode.

-start :Start an IMS SOAP Gateway server

The **-start** command starts an IMS SOAP Gateway server.

Syntax

▶▶—iogdeploy—start—▶▶

Parameters

-start

Specify the task to start the server

Example

```
iogdeploy -start
```

Related tasks

“Starting the IMS SOAP Gateway server” on page 31

There are several ways to start the IMS SOAP Gateway server including using the deployment utility in either Interactive or Expert mode.

-stop :Stop an IMS SOAP Gateway server

The **-stop** command stops the IMS SOAP Gateway server.

Syntax

▶▶—iogdeploy—stop—▶▶

Parameters

-stop

Specify the task to stop the server

Example

```
iogdeploy -stop
```

Related tasks

“Stopping IMS SOAP Gateway server” on page 31

There are several ways to stop the IMS SOAP Gateway server using the deployment utility in either Interactive or Expert mode.

-prop :Set IMS SOAP Gateway properties

Use the **-prop** command to modify the IMS SOAP Gateway server properties.

Syntax

```
►►—iogttool—-prop—-p—port_number—-l—trace_level—-f—log_file—◄◄
```

Parameters

Use the following parameters to modify the IMS SOAP Gateway properties.

-prop

Specify the task to change IMS SOAP Gateway server properties

-p Specify the port number for the IMS SOAP Gateway server. IMS SOAP Gateway is configured to run and listen on the SOAP request over the HTTP communication protocol using port 8080 by default. The port number must be a non-negative number.

-l Specify the trace level. The trace level controls the amount of logging and tracing with IMS SOAP Gateway. The trace level can be one of the following values:

Table 5. Trace level values

| Trace level value | Trace level | Description |
|--------------------------|--------------------|---|
| 1 | Fatal | Only errors and exceptions are logged. This is the default level. |
| 2 | Error | If the value is not divisible by 10, it is converted to the next greater increment of 10. |
| 3 | Warn | Errors and exceptions plus warning messages are logged. |
| 4 | Information | Errors and exceptions, information of important events are logged. |

Table 5. Trace level values (continued)

| Trace level value | Trace level | Description |
|-------------------|-------------|---|
| 5 | Debug | Errors and exceptions, the entry and exit of important events and functions, and the contents of buffers sent to and received from IMS Connect and IMS SOAP Gateway are logged. |

-f Specify the location and the filename for the log file. The log file name of the file which contains the logging and tracing messages.

Example

```
iogdeploy -prop -p 8081 -l 4 -f c:\log.txt
```

Related tasks

“Tracing” on page 38

You can turn on internal tracing for IMS SOAP Gateway to help diagnosis problems. The trace level can be changed to control the amount of logging and tracing.

“Changing the log file” on page 39

IMS SOAP Gateway logs all informational and error messages. By default the log file is located in <installation_directory>\server\logs\imsoap.log. You can change the log file by changing the log filename and location using the IMS SOAP Gateway deployment utility.

“Changing port number for IMS SOAP Gateway server” on page 36

The default port number for IMS SOAP Gateway is configured to run on port 8080 and to listen to the SOAP request over the HTTP communication protocol.

“Starting the IMS SOAP Gateway Administrative Console” on page 32

The Administrative Console is opened easily for both Windows and AIX. Use the Administrative Console to view your deployed Web services.

-corr :Create or update the correlator file

The **-corr** command creates or updates the correlator file by specifying transaction and runtime properties.

Syntax

```

▶▶ iogdeploy --corr {
    -c --w wsdl_file --n connection_bundle
    -u --r correlator_name
}

```




Parameters

Use the following parameters to create an IMS correlator file which contains the correlation properties. When creating a correlator file, options `-corr`, `-c`, `-w`, and `-n` are required. When updating a correlator file, options `-corr`, `-u`, and `-x` are required. All other parameters are optional and can be listed in any order.

-corr

Specifies the correlator task

-c Specifies that a correlator file is to be created. The correlator file name is the URN of the Web service. The URN is specified by the `soapAction` attribute of the `soap:operation` element in the WSDL file.

-w *wSDL_file*

Specifies which WSDL file to use. If the WSDL file is in the IMS SOAP Gateway WSDL directory (*installation_directory*\server\webapps\imssoap\wSDL), you only need to specify the file name. If the WSDL is anywhere else, you must specify the full path to the file as well.

-n *connection_bundle*

Specifies a connection bundle name. The name must be less than or equal to twenty characters. Required.

-u Specified that a correlator file is to be updated.

-r *correlator_name*

Specifies the correlator name to be updated. The correlator name is the URN of the Web service. The URN is specified by the `soapAction` attribute of the `soap:operation` element in the WSDL file. If the correlator file is in the IMS SOAP Gateway XML directory (*installation_directory*\server\webapps\imssoap\xml), you only need to specify the file name. If the correlator file is anywhere else, you must specify the full path to the file as well.

-s *socket_timeout*

Specifies the socket timeout in milliseconds. The timeout value for IMS SOAP Gateway to receive a response from IMS Connect before disconnecting the socket and returning an error. The value must be greater than or equal to zero. Optional.

-e *execution_timeout*

Specifies the execution timeout in milliseconds. The timeout value for IMS Connect to send a message to IMS and receive the response. The value must be between -1 and 3 600 000, inclusively. That is, the `executionTimeout` value must be greater than zero and less than or equal to one hour. The execution timeout value can also be -1 if you want an interaction to run without a time limit. The execution timeout value cannot contain non-numeric characters.

If you do not specify an execution timeout value or if the value that you specify is invalid, the timeout value in the IMS Connect configuration member is used and the interaction continues to run. If a valid execution timeout value is set, this value is converted into a value that IMS Connect can use. The following table describes how the values you specify are converted to the values that IMS Connect uses:

Table 6. Execution timeout value conversion rules

| Range of execution timeout values in the correlator file | Conversion rule |
|--|---|
| 1 – 250 | If the value is not divisible by 10, it is converted to the next greater increment of 10. |
| 251 – 1 000 | If the value is not divisible by 50, it is converted to the next greater increment of 50. |
| 1 001 – 60 000 | If the value is not divisible by 1 000, it is converted to the next greater increment of 1 000. Values that are exactly between increments of 1 000 are converted to the next greater increment of 1 000. |
| 60 001 – 3 600 000 | The value is converted to the nearest increment of 60 000. Values that are exactly between increments of 60 000 are converted to the next greater increment of 60 000. |

The default is zero. Optional.

-l lterm_name

Specifies the name used to override the value in the LTERM field of the IMS application program's I/O PCB. The name must be eight characters or less. Optional.

-t trancode

Specifies the IMS transaction code of the IMS application that is invoked by the Web service. The transaction code value must be eight characters or less. If the transaction code is less than eight characters, IMS SOAP Gateway adds blanks to the end of the transaction code value. If you want to add trailing spaces to the transaction code value, enclosed the value with double quotes (for example, "MYTRCD "). IMS SOAP Gateway removes the quotes at runtime. If you do not specify a transaction code, no transaction code will be added by IMS SOAP Gateway to the input message before it sends the message to IMS.

Create example

This example creates a correlator file for MyWSDL.wsdl. This example specifies that the Web service is to use the connection bundle named bundle1, that the IMS transaction code is tran1, and that

```
iogdeploy -corr -c -w MyWSDL.wsdl -n bundle1 -t tran1 -d program1
```

Update example

```
iogdeploy -corr -u -r MyCorrelator.xml -s 1000 -d program2
```

Related tasks

"Specifying the correlator properties for a Web service" on page 26

Correlator properties specify how to interact with the IMS application for the Web service. Each deployed application or Web service must have a correlation file associated with it.

"Specifying the correlator properties for a Web service" on page 26

You must set up the connection bundle and correlator file properties to ensure the proper functioning of the Web service. To set up these properties, use the IMS SOAP Gateway Deployment Utility in either Expert or Interactive mode.

"Specifying the connection properties of the connection bundle" on page 25

Creating a connection bundle consists of specifying the connection properties between IMS SOAP Gateway, IMS Connect, and IMS.

Creating a correlator file

Before you can deploy a Web service to IMS SOAP Gateway, you must first create a correlator by using the deployment utility. You do not need to edit the file directly. The utility creates and updates the file. The correlator specifies connection, transaction, and runtime properties.

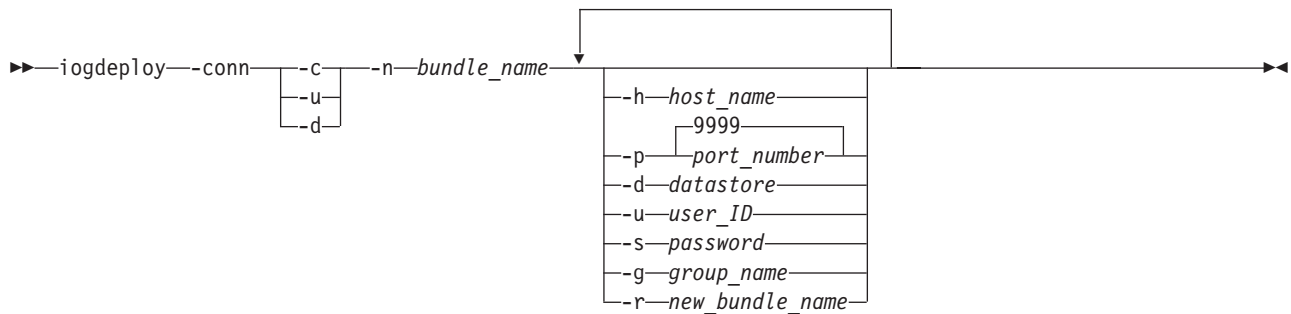
“Changing deployed Web services” on page 34

After you deploy a Web service, you can change interaction and connection properties by using the IMS SOAP Gateway Deployment Utility.

-conn :Create, update, or delete a connection bundle

Use the **-conn** command to create, update, or delete a connection bundle.

Syntax



Parameters

Use the following parameters to create or update a connection bundle. When creating a connection bundle, **-conn**, **-c**, and **-n** are required. When updating a connection bundle, **-conn**, **-u**, and **-n** are required. All other parameters are optional and can be listed in any order. When you are deleting a connection bundle, **-conn**, **-d**, and **-n** are required and no other parameters are valid.

-conn

Specifies the connection bundle option task.

-c Specifies that you want to create a new connection bundle.

-u Specifies that you want to update an existing connection bundle.

-d Specifies that you want to delete an existing connection bundle.

-n *bundle_name*

Specifies the name of the connection bundle to create or update. The correlator file uses this name to specify which connection properties to use for its associated Web service. The name must be twenty characters or less and contain no spaces.

-h *host_name*

Specifies the name or IP address of the host system where IMS Connect is running.

-p *port_number*

Specifies the port number of the host system where IMS™ Connect is running. The port number must be a non-negative number. Default is 9999.

-d *datastore*

Specifies the name of the target IMS datastore. The name must match the ID parameter of the Datastore statement that is specified in the IMS Connect configuration member. This name also serves as the XCF member name for IMS during internal XCF communications between IMS Connect and IMS OTMA. The name must be eight characters or less.

-u *user_ID*

The default security authorization facility (SAF) user name that will be used for connections with IMS. The user ID must be eight characters or less.

- s** *password*
Specifies the password that will be used for connections with IMS. The password must be eight characters or less.
- g** *group_name*
Specifies the name of the group that will be used for connections with IMS. The name must be eight characters or less.
- r** *new_bundle_name*
Specifies a new name for the connection bundle. The name must be twenty characters or less and contain no spaces.

Create example

This example creates a new connection bundle that is named MyBundle. It does not specify any properties.

```
iogdeploy -conn -c -n MyBundle
```

Update example

This example changes the name of the connection bundle from MyBundle to YourBundle. It also specifies a default SAF user name of USER1.

```
iogdeploy -conn -u -n MyBundle -s USER1 -r YourBundle
```

Delete example

This example deletes the connection bundle that is named YourBundle.

```
iogdeploy -conn -d -n YourBundle
```

Related tasks

“Specifying the correlator properties for a Web service” on page 26

Correlator properties specify how to interact with the IMS application for the Web service. Each deployed application or Web service must have a correlation file associated with it.

“Specifying the correlator properties for a Web service” on page 26

You must set up the connection bundle and correlator file properties to ensure the proper functioning of the Web service. To set up these properties, use the IMS SOAP Gateway Deployment Utility in either Expert or Interactive mode.

“Specifying the connection properties of the connection bundle” on page 25

Creating a connection bundle consists of specifying the connection properties between IMS SOAP Gateway, IMS Connect, and IMS.

Creating a connection bundle

You must create a connection bundle by using the IMS SOAP Gateway Deployment Utility to specify the connection and security properties between IMS SOAP Gateway, IMS Connect, and IMS. You can create multiple connection bundles, but you can only use one connection bundle for each Web service.

“Changing deployed Web services” on page 34

After you deploy a Web service, you can change interaction and connection properties by using the IMS SOAP Gateway Deployment Utility.

-deploy :Deploy the WSDL file

The **-deploy** command deploys the WSDL file to IMS SOAP Gateway, which allows an IMS application to be enabled as a Web service.

Syntax

►►—iogdeploy—-deploy—-w—wsdl_file—-c—correlator_file—►►

Parameters

Use the following parameters to deploy an application as a Web service. The `-deploy` command, `-w`, and `-c` are required.

-deploy

Specifies the deployment task option. Required.

-w *wsdl_file*

Specifies which WSDL file to use. If the WSDL file is in the IMS SOAP Gateway WSDL directory (*installation_directory*\server\webapps\imssoap\wsdl.), you only need to specify the file name. If the WSDL is anywhere else, you must specify the full path to the file as well.

-c *correlator_file*

Specifies the correlator file to use. If the Correlator file is in the IMS SOAP Gateway XML directory (*installation_directory*\server\webapps\imssoap\xml), you only need to specify the file name. If the correlator file is anywhere else, you must specify the full path to the file as well.

Example

This example deploys the file `MyWSDL.wsdl`, which is in *installation_directory*\server\webapps\imssoap\wsdl., and uses the correlator file `MyCorrelator.xml`.

```
iogdeploy -deploy -w MyWSDL.wsdl -c MyCorrelator.xml
```

Related tasks

“Deploying the WSDL file” on page 27

Deploying the WSDL is the last step for deploying a Web service to IMS SOAP Gateway.

“Changing deployed Web services” on page 34

After you deploy a Web service, you can change interaction and connection properties by using the IMS SOAP Gateway Deployment Utility.

-genclient :Generate Java client code

Use the `-genclient` command to generate client proxy code for a client application.

Syntax

►►—iogdeploy—-genclient—-w—wsdl_file—-d—proxy_destination—►►

Parameters

Use the following parameters to generate client proxy code for a client application. The `-genclient` command, `-w`, and `-d` are required.

-genclient

Specifies the proxy code task option.

-w *wsdl_file*

Specifies which WSDL file to use. If the WSDL file is in the IMS SOAP Gateway WSDL directory (*installation_directory*\server\webapps\imssoap\wsdl.), you only need to specify the file name. If the WSDL is anywhere else, you must specify the full path to the file as well.

-d *proxy_destination*

Specifies the directory for the generated proxy code.

Example

This example creates proxy code that is based on MyWSDL.wsdl, which is in *installation_directory*\server\webapps\imssoap\wsdl.. The generated code is stored in the directory c:\SOAP\proxy_code.

```
iogdeploy -genclient -w MyWSDL.wsdl -d c:\SOAP\proxy_code
```

Related tasks

“Generating the Java proxy code” on page 29

You can generate client proxy code in Java by using the IMS SOAP Gateway Deployment Utility

-undeploy :Undeploy a Web service

Use the **-undeploy** command to undeploy a Web service

Syntax

```
►►—iogdeploy—undeploy—w—wsdl_file—————►►
```

Parameters

Use the following parameters to undeploy a Web service. The **-undeploy** command and **-w** are required.

-undeploy

Specifies the undeployment task option

-w *wsdl_file*

Specifies which Web service to undeploy. If the corresponding WSDL file is in the IMS SOAP Gateway WSDL directory (*installation_directory*\server\webapps\imssoap\wsdl.), you only need to specify the file name. If the WSDL is anywhere else, you must specify the full path to the file as well.

Example

This example undeploys the MyWSDL.wsdl file from IMS SOAP Gateway.

```
iogdeploy -undeploy -w MyWSDL.wsdl
```

Related tasks

“Undeploying a Web service” on page 35

Undeploying a Web service makes the IMS application unavailable as a Web service.

Chapter 8. Notices

This information was developed for products and services offered in the U.S.A.

IBM® may not offer the products, services, or features discussed in this document in other countries. Consult your local IBM representative for information on the products and services currently available in your area. Any reference to an IBM product, program, or service is not intended to state or imply that only that IBM product, program, or service may be used. Any functionally equivalent product, program, or service that does not infringe any IBM intellectual property right may be used instead. However, it is the user's responsibility to evaluate and verify the operation of any non-IBM product, program, or service.

IBM may have patents or pending patent applications covering subject matter described in this document. The furnishing of this document does not give you any license to these patents. You can send license inquiries, in writing, to:

IBM Director of Licensing
IBM Corporation
North Castle Drive
Armonk, NY 10504-1785 U.S.A.

For license inquiries regarding double-byte (DBCS) information, contact the IBM Intellectual Property Department in your country or send inquiries, in writing, to:

IBM World Trade Asia Corporation
Licensing
2-31 Roppongi 3-chome, Minato-ku
Tokyo 106-0032, Japan

The following paragraph does not apply to the United Kingdom or any other country where such provisions are inconsistent with local law: INTERNATIONAL BUSINESS MACHINES CORPORATION PROVIDES THIS PUBLICATION "AS IS" WITHOUT WARRANTY OF ANY KIND, EITHER EXPRESS OR IMPLIED, INCLUDING, BUT NOT LIMITED TO, THE IMPLIED WARRANTIES OF NON-INFRINGEMENT, MERCHANTABILITY OR FITNESS FOR A PARTICULAR PURPOSE. Some states do not allow disclaimer of express or implied warranties in certain transactions, therefore, this statement may not apply to you.

This information could include technical inaccuracies or typographical errors. Changes are periodically made to the information herein; these changes will be incorporated in new editions of the publication. IBM may make improvements and/or changes in the product(s) and/or the program(s) described in this publication at any time without notice.

Any references in this information to non-IBM Web sites are provided for convenience only and do not in any manner serve as an endorsement of those Web sites. The materials at those Web sites are not part of the materials for this IBM product and use of those Web sites is at your own risk.

IBM may use or distribute any of the information you supply in any way it believes appropriate without incurring any obligation to you.

Licensees of this program who wish to have information about it for the purpose of enabling: (i) the exchange of information between independently created programs and other programs (including this one) and (ii) the mutual use of the information which has been exchanged, should contact:

IBM Corporation
J46A/G4
555 Bailey Avenue
San Jose, CA 95141-1003 U.S.A.

Such information may be available, subject to appropriate terms and conditions, including in some cases, payment of a fee.

The licensed program described in this information and all licensed material available for it are provided by IBM under terms of the IBM Customer Agreement, IBM International Program License Agreement, or any equivalent agreement between us.

Any performance data contained herein was determined in a controlled environment. Therefore, the results obtained in other operating environments may vary significantly. Some measurements may have been made on development-level systems and there is no guarantee that these measurements will be the same on generally available systems. Furthermore, some measurements may have been estimated through extrapolation. Actual results may vary. Users of this document should verify the applicable data for their specific environment.

Information concerning non-IBM products was obtained from the suppliers of those products, their published announcements or other publicly available sources. IBM has not tested those products and cannot confirm the accuracy of performance, compatibility or any other claims related to non-IBM products. Questions on the capabilities of non-IBM products should be addressed to the suppliers of those products.

All statements regarding IBM's future direction or intent are subject to change or withdrawal without notice, and represent goals and objectives only.

This information contains examples of data and reports used in daily business operations. To illustrate them as completely as possible, the examples include the names of individuals, companies, brands, and products. All of these names are fictitious and any similarity to the names and addresses used by an actual business enterprise is entirely coincidental. COPYRIGHT LICENSE: This information contains sample application programs in source language, which illustrate programming techniques on various operating platforms. You may copy, modify, and distribute these sample programs in any form without payment to IBM, for the purposes of developing, using, marketing or distributing application programs conforming to the application programming interface for the operating platform for which the sample programs are written. These examples have not been thoroughly tested under all conditions. IBM, therefore, cannot guarantee or imply reliability, serviceability, or function of these programs.

Each copy or any portion of these sample programs or any derivative work, must include a copyright notice as follows:

(your company name) (year). Portions of this code are derived from IBM Corp. Sample Programs. Copyright IBM Corp. 2003, 2005. All rights reserved. Trademarks

Chapter 9. Trademarks

IBM, IMS, WebSphere, and z/OS are trademarks of International Business Machines Corporation in the United States, other countries, or both.

Microsoft and Windows[®] are trademarks of Microsoft Corporation in the United States, other countries, or both.

Java and all Java-based trademarks are trademarks of Sun Microsystems, Inc. in the United States, other countries, or both.