

IMS Version 9



# Command Reference

## Build Date: 10/16/03



IMS Version 9



# Command Reference

## Build Date: 10/16/03

**Note**

Before using this information and the product it supports, be sure to read the general information under "Notices" on page xxi

**Quality Partnership Program (QPP) Edition (January 2004)**

This QPP edition applies to Version 9 of IMS (product number 5655-J38) and to all subsequent releases and modifications until otherwise indicated in new editions.

**© Copyright International Business Machines Corporation 1974, 2003. All rights reserved.**

US Government Users Restricted Rights – Use, duplication or disclosure restricted by GSA ADP Schedule Contract with IBM Corp.

# Contents

<b>Figures</b> . . . . .	xv
<b>Tables</b> . . . . .	xvii
<b>Notices</b> . . . . .	xxi
Programming Interface Information . . . . .	xxiii
Trademarks. . . . .	xxiii
Product Names . . . . .	xxiv
<b>Preface</b> . . . . .	xxv
Summary of Contents . . . . .	xxv
Prerequisite Knowledge . . . . .	xxvi
Syntax Diagrams . . . . .	xxvi
How to Send Your Comments . . . . .	xxviii
Change Indicators . . . . .	xxviii
<b>Summary of Changes</b> . . . . .	xxix
Changes to This Book for IMS Version 9 . . . . .	xxix
Library Changes for IMS Version 9 . . . . .	xxix

---

## Part 1. Introduction . . . . . 1

<b>Chapter 1. IMS Command Language</b> . . . . .	3
Introduction . . . . .	3
How to Enter an IMS Command . . . . .	3
Commands from the OM API. . . . .	12
Command Responses to OM. . . . .	13
Command Responses . . . . .	14
Responses to LU 6.2 Devices . . . . .	14
Sending Messages to the z/OS System Console . . . . .	15
Sending Messages to the IMS Master Terminal . . . . .	15
IMS Terminal Command Examples . . . . .	15
TSO SPOC Command Examples . . . . .	16
OM API Command Examples . . . . .	16
IMS Classic Command Format . . . . .	16
Command Processing in an IMSplex . . . . .	21
IMSplex Command Format . . . . .	22
Command Characteristics . . . . .	24
Terminal Security Defaults . . . . .	24
Commands Recovered During Emergency Restart . . . . .	26
Commands Logged to the Secondary Master Terminal . . . . .	27
Commands Supported from an AO Application . . . . .	27
Command Security When Using OM . . . . .	33
Commands Mirrored on an XRF Alternate . . . . .	33
Commands Supported on the XRF Alternate . . . . .	34
Commands and Keywords Supported on an RSR Tracking Subsystem . . . . .	36
BTAM Terminals in an RSR Environment . . . . .	38
Commands Supported from LU 6.2 Devices and OTMA . . . . .	38
Terminal Security Defaults for LU 6.2 Devices and OTMA . . . . .	39
Commands Supported by the OM API . . . . .	39
<b>Chapter 2. Keyword Table and Definitions</b> . . . . .	43

<b>Part 2. IMS Commands.</b>	<b>79</b>
<b>Chapter 3. /ACTIVATE</b>	95
Format	95
Environments and Keywords	95
Usage	95
Examples	95
<b>Chapter 4. /ALLOCATE</b>	97
Format	97
Environments and Keywords	97
Usage	97
<b>Chapter 5. /ASSIGN</b>	99
Format	99
Environments and Keywords	100
Usage	101
Examples	110
<b>Chapter 6. /BROADCAST</b>	115
Format	115
Environments and Keywords	115
Usage	116
Examples	117
<b>Chapter 7. /CANCEL</b>	121
Format	121
Environments	121
Usage	121
Example for /CANCEL Command	121
<b>Chapter 8. /CHANGE</b>	123
Format	123
Environments and Keywords	124
Usage	125
Examples	133
<b>Chapter 9. /CHECKPOINT</b>	139
Format	139
Environments and Keywords	139
Usage	140
Examples	143
<b>Chapter 10. /CLSDST</b>	145
Format	145
Environments and Keywords	145
Usage	145
Example for /CLSDST Command	147
<b>Chapter 11. /COMPT</b>	149
Format	149
Environments and Keywords	149
Usage	150
Examples	150
<b>Chapter 12. /CQCHKPT</b>	153

Format . . . . .	153
Environments and Keywords . . . . .	153
Usage. . . . .	153
Examples . . . . .	154
<b>Chapter 13. /CQQUERY . . . . .</b>	<b>155</b>
Format . . . . .	155
Environments and Keywords . . . . .	155
Usage. . . . .	155
Examples . . . . .	156
<b>Chapter 14. /CQSET . . . . .</b>	<b>157</b>
Format . . . . .	157
Environments and Keywords . . . . .	157
Usage. . . . .	157
Example for /CQSET Command . . . . .	158
<b>Chapter 15. /DBDUMP . . . . .</b>	<b>159</b>
Format . . . . .	159
Environments and Keywords . . . . .	159
Usage. . . . .	159
Examples . . . . .	161
<b>Chapter 16. /DBRECOVERY . . . . .</b>	<b>163</b>
Format . . . . .	163
Environments and Keywords . . . . .	163
Usage. . . . .	163
Examples . . . . .	167
<b>Chapter 17. /DELETE. . . . .</b>	<b>171</b>
Format . . . . .	171
Environments and Keywords . . . . .	171
Usage. . . . .	172
Examples . . . . .	172
<b>Chapter 18. DELETE . . . . .</b>	<b>175</b>
Format . . . . .	175
Environments and Keywords . . . . .	175
Usage. . . . .	175
Examples . . . . .	177
<b>Chapter 19. /DEQUEUE . . . . .</b>	<b>183</b>
Format . . . . .	183
Environments and Keywords . . . . .	183
Usage. . . . .	184
Examples . . . . .	188
<b>Chapter 20. /DIAGNOSE . . . . .</b>	<b>191</b>
Format . . . . .	191
Environments . . . . .	191
Usage. . . . .	191
Example for /DIAGNOSE Command . . . . .	194
<b>Chapter 21. /DISPLAY . . . . .</b>	<b>195</b>
Format . . . . .	195
Environments and Keywords . . . . .	209

Usage.	211
/DISPLAY ACTIVE	211
/DISPLAY AFFINITY	216
/DISPLAY AOITOKEN	216
/DISPLAY APPC	216
/DISPLAY AREA	218
/DISPLAY ASSIGNMENT	220
/DISPLAY CCTL	221
/DISPLAY CONVERSATION	222
/DISPLAY CPLOG	223
/DISPLAY CQS	223
/DISPLAY DATABASE	223
/DISPLAY DATABASE with BKERR	225
/DISPLAY DBD	226
/DISPLAY DESCRIPTOR	226
/DISPLAY FDR	226
/DISPLAY FPVIRTUAL	227
/DISPLAY HSB	228
/DISPLAY HSSP	229
/DISPLAY LINE	230
/DISPLAY LINK	230
/DISPLAY LTERM	231
/DISPLAY LUNAME	232
/DISPLAY MASTER	234
/DISPLAY MODIFY	234
/DISPLAY MSNAME	239
/DISPLAY NODE	239
/DISPLAY OASN SUBSYS	242
/DISPLAY OLDS	242
/DISPLAY OTMA	244
/DISPLAY OVERFLOWQ	245
/DISPLAY POOL	246
/DISPLAY PROGRAM	254
/DISPLAY PSB	255
/DISPLAY PTERM	255
/DISPLAY Q	256
/DISPLAY QCNT	256
/DISPLAY RECOVERY	258
/DISPLAY RTCODE	261
/DISPLAY SHUTDOWN STATUS	261
/DISPLAY STATUS (With No Keywords)	263
/DISPLAY STRUCTURE	265
/DISPLAY SUBSYS	265
/DISPLAY SYSID TRANSACTION	267
/DISPLAY TIMEOVER	267
/DISPLAY TMEMBER	267
/DISPLAY TRACE	269
/DISPLAY TRACKING STATUS	270
/DISPLAY TRANSACTION	278
/DISPLAY UOR	279
/DISPLAY USER	280
Examples	282
<b>Chapter 22. /END</b>	<b>351</b>
Format	351
Environments and Keywords	351



Usage. . . . .	351
Example for /END Command . . . . .	352
<b>Chapter 23. /ERESTART</b> . . . . .	353
Format . . . . .	353
Environments and Keywords . . . . .	354
Usage. . . . .	355
Examples . . . . .	361
<b>Chapter 24. /EXCLUSIVE</b> . . . . .	365
Format . . . . .	365
Environments and Keywords . . . . .	365
Usage. . . . .	365
Examples . . . . .	366
<b>Chapter 25. /EXIT</b> . . . . .	367
Format . . . . .	367
Environments and Keywords . . . . .	367
Usage. . . . .	367
Examples . . . . .	368
<b>Chapter 26. /FORMAT</b> . . . . .	371
Format . . . . .	371
Environments and Keywords . . . . .	371
Usage. . . . .	371
Example for /FORMAT Command . . . . .	372
<b>Chapter 27. /HOLD.</b> . . . . .	373
Format . . . . .	373
Environments . . . . .	373
Usage. . . . .	373
Example for /HOLD Command . . . . .	373
<b>Chapter 28. /IAM</b> . . . . .	375
Format . . . . .	375
Environments and Keywords . . . . .	375
Usage. . . . .	375
Examples . . . . .	376
<b>Chapter 29. /IDLE</b> . . . . .	377
Format . . . . .	377
Environments and Keywords . . . . .	377
Usage. . . . .	377
Examples . . . . .	379
<b>Chapter 30. /LOCK.</b> . . . . .	381
Format . . . . .	381
Environments and Keywords . . . . .	381
Usage. . . . .	381
Examples . . . . .	383
<b>Chapter 31. INITIATE</b> . . . . .	385
Format . . . . .	385
Environments and Keywords . . . . .	385
INITIATE OLC. . . . .	386

<b>Chapter 32. /LOG</b>	413
Format	413
Environments	413
Usage.	413
Example for /LOG Command	413
<b>Chapter 33. /LOOPTEST</b>	415
Format	415
Environments and Keywords	415
Usage.	415
Example for /LOOPTEST Command	415
<b>Chapter 34. /MODIFY</b>	417
Format	417
Environments and Keywords	417
Usage.	417
Examples	421
<b>Chapter 35. /MONITOR</b>	425
Format	425
Environments and Keywords	425
Usage.	425
Example for /MONITOR Command	425
<b>Chapter 36. /MSASSIGN</b>	427
Format	427
Environments and Keywords	427
Usage.	427
Examples	428
<b>Chapter 37. /MSVERIFY</b>	431
Format	431
Environments and Keywords	431
Usage.	431
Examples	431
<b>Chapter 38. /NRESTART</b>	435
Format	435
Environments and Keywords	437
Usage.	437
Examples	442
<b>Chapter 39. /OPNDST</b>	447
Format	447
Environments and Keywords	447
Usage.	448
Examples	450
<b>Chapter 40. /PSTOP</b>	453
Format	453
Environments and Keywords	453
Usage.	454
Examples	456
<b>Chapter 41. /PURGE</b>	461
Format	461

Environments and Keywords . . . . .	461
Usage. . . . .	462
Examples . . . . .	463
<b>Chapter 42. QUERY . . . . .</b>	<b>465</b>
Format . . . . .	465
Environments and Keywords . . . . .	468
QUERY AREA . . . . .	470
QUERY DB. . . . .	478
QUERY IMSPLEX . . . . .	487
QUERY LE . . . . .	495
QUERY MEMBER . . . . .	501
QUERY OLC . . . . .	509
QUERY STRUCTURE. . . . .	516
QUERY TRAN . . . . .	520
<b>Chapter 43. /QUIESCE . . . . .</b>	<b>537</b>
Format . . . . .	537
Environments and Keywords . . . . .	537
Usage. . . . .	537
Example for /QUIESCE Command . . . . .	538
<b>Chapter 44. /RCLSDST . . . . .</b>	<b>539</b>
Format . . . . .	539
Environments . . . . .	539
Usage. . . . .	539
Example for /RCLSDST Command . . . . .	540
<b>Chapter 45. /RCOMPT . . . . .</b>	<b>541</b>
Format . . . . .	541
Environments and Keywords . . . . .	541
Usage. . . . .	541
Example for /RCOMPT Command . . . . .	542
<b>Chapter 46. /RDISPLAY . . . . .</b>	<b>543</b>
Format . . . . .	543
Environments . . . . .	543
Usage. . . . .	543
Examples . . . . .	543
<b>Chapter 47. /RECOVER . . . . .</b>	<b>545</b>
Format . . . . .	545
Environments and Keywords . . . . .	546
Usage. . . . .	547
Examples . . . . .	556
<b>Chapter 48. /RELEASE . . . . .</b>	<b>561</b>
Format . . . . .	561
Environments and Keywords . . . . .	561
Usage. . . . .	561
Example for /RELEASE Command . . . . .	561
<b>Chapter 49. /RESET . . . . .</b>	<b>563</b>
Format . . . . .	563
Environments . . . . .	563
Usage. . . . .	563

I  
I

Example for /RESET Command . . . . .	563
<b>Chapter 50. /RMxxxxxx</b> . . . . .	565
Format . . . . .	565
Environments and Keywords . . . . .	565
Usage. . . . .	565
Examples . . . . .	567
<b>Chapter 51. /RSTART.</b> . . . . .	573
Format . . . . .	573
Environments and Keywords . . . . .	573
Usage. . . . .	574
Examples . . . . .	576
<b>Chapter 52. /RTAKEOVER</b> . . . . .	579
Format . . . . .	579
Environments and Keywords . . . . .	579
Usage. . . . .	579
Examples . . . . .	580
<b>Chapter 53. /SECURE</b> . . . . .	583
Format . . . . .	583
Environments and Keywords . . . . .	583
Usage. . . . .	583
Examples . . . . .	584
<b>Chapter 54. /SET</b> . . . . .	587
Format . . . . .	587
Environments and Keywords . . . . .	587
Usage. . . . .	587
Examples . . . . .	588
<b>Chapter 55. /SIGN</b> . . . . .	591
Format . . . . .	591
Environments . . . . .	591
Usage. . . . .	591
Examples . . . . .	594
<b>Chapter 56. /SMCOPY</b> . . . . .	597
Format . . . . .	597
Environments and Keywords . . . . .	597
Usage. . . . .	597
Example for /SMCOPY Command . . . . .	598
<b>Chapter 57. /SSR</b> . . . . .	599
Format . . . . .	599
Environments . . . . .	599
Usage. . . . .	599
Example for /SSR Command . . . . .	599
<b>Chapter 58. /START</b> . . . . .	601
Format . . . . .	601
Environments and Keywords . . . . .	604
Usage. . . . .	605
Examples . . . . .	620

	<b>Chapter 59. /STOP</b>	629
	Format	629
	Usage.	632
	Examples	644
	<b>Chapter 60. /SWITCH</b>	657
	Format	657
	Environments and Keywords	657
	Usage.	657
	Examples	658
	<b>Chapter 61. TERMINATE</b>	661
	Format	661
	Environments and Keywords	661
	TERMINATE OLC	661
	<b>Chapter 62. /TEST</b>	673
	Format	673
	Environments and Keywords	673
	Usage.	673
	Examples	675
	<b>Chapter 63. /TRACE</b>	677
	Format	677
	Environments and Keywords	680
	Usage.	681
	Examples	693
	<b>Chapter 64. /UNLOCK</b>	699
	Format	699
	Environments and Keywords	699
	Usage.	699
	Examples	701
	<b>Chapter 65. UPDATE</b>	705
	Format	705
	Environments and Keywords	707
2	UPDATE AREA	709
	UPDATE DATAGRP	716
	UPDATE DB	723
	UPDATE LE	738
	UPDATE TRAN	742
	<b>Chapter 66. /UNLOAD</b>	751
	Format	751
	Environments and Keywords	751
	Usage.	751
	Example for /UNLOAD Command	752

---

**Part 3. z/OS (MVS) Commands Used for IMS** . . . . . 753

	<b>Chapter 67. Introduction</b>	755
	<b>Chapter 68. START FDBRPROC</b>	757
	Format	757
	Usage.	757

<b>Chapter 69. MODIFY IMS</b>	759
F jobname,DUMP	759
F jobname,DUMPxxxx	759
F jobname,FORCExxxx	760
F jobname,RECONNECT	761
F jobname,RECONNSTR	762
F jobname,STOP	763
F jobname,STOPxxxx	763
<b>Chapter 70. START IRLMPROC</b>	765
Format	765
Usage.	765
<b>Chapter 71. MODIFY FDBRPROC</b>	769
F fdbproc,DUMP	769
F fdbproc,RECOVER	769
F fdbproc,STATUS	769
F fdbproc,STOP	770
F fdbproc,TERM	771
<b>Chapter 72. MODIFY IRLMPROC</b>	773
F irlmproc,ABEND	773
F irlmproc,DIAG,HANG	774
F irlmproc,PURGE,imsname	775
F irlmproc,SET	775
F irlmproc,STATUS	779
<b>Chapter 73. STOP CQSJOB</b>	783
Format	783
Usage.	783
<b>Chapter 74. STOP IRLMPROC</b>	785
Format	785
Usage.	785
Example	785
<b>Chapter 75. TRACE CT</b>	787
Format	787
Usage.	787
Examples	789
<b>Chapter 76. CANCEL/FORCE ODBA</b>	791
Format	791
Usage.	791
Format	791
Usage.	791
<b>Chapter 77. STOP CSL Address Spaces</b>	793
Format	793
Usage.	793

---

**Part 4. IMS Transport Manager Subsystem Commands** . . . . . 795

<b>Chapter 78. Introduction</b>	797
---------------------------------	-----

<b>Chapter 79. DEFINE</b>	799
---------------------------	-----

Format . . . . .	799
Usage. . . . .	799
<b>Chapter 80. DISPLAY . . . . .</b>	<b>801</b>
Format . . . . .	801
Usage. . . . .	801
Examples . . . . .	805
<b>Chapter 81. SET . . . . .</b>	<b>807</b>
Format . . . . .	807
Usage. . . . .	807
<b>Chapter 82. START . . . . .</b>	<b>809</b>
Format . . . . .	809
Usage. . . . .	809
<b>Chapter 83. STOP . . . . .</b>	<b>811</b>
Format . . . . .	811
Usage. . . . .	811

---

**Part 5. Base Primitive Environment Commands . . . . . 813**

<b>Chapter 84. BPE Commands . . . . .</b>	<b>815</b>
BPE Command Syntax and Invocation. . . . .	815
BPE TRACETABLE Commands . . . . .	817
BPE DISPLAY VERSION Command . . . . .	824

---

**Part 6. Appendixes . . . . . 837**

<b>Appendix A. DBCTL Commands . . . . .</b>	<b>839</b>
<b>Appendix B. DCCTL Commands . . . . .</b>	<b>841</b>
<b>Appendix C. List of Reserved Words . . . . .</b>	<b>845</b>
<b>Appendix D. Shared Secondary Index Database Commands . . . . .</b>	<b>849</b>
<b>Appendix E. Commands with the NODE USER Keyword Combination . . . . .</b>	<b>851</b>
<b>Appendix F. Commands That Are Valid in ETO. . . . .</b>	<b>853</b>
<b>Appendix G. Status and Attributes for the /DISPLAY Command . . . . .</b>	<b>855</b>
<b>Appendix H. High Availability Large Database Commands . . . . .</b>	<b>867</b>
<b>Appendix I. IMS Commands, RACF Access Authorities and Resource Names Table . . . . .</b>	<b>869</b>
<b>Bibliography . . . . .</b>	<b>877</b>
IMS Version 9 Library . . . . .	877





---

## Figures

1. Master Terminal Format . . . . .	4
2. Master Terminal Format in XRF Environment . . . . .	5
3. TSO SPOC Screen Format . . . . .	12
4. IMS Formatted Master for the Alternate System . . . . .	363
5. IMS Formatted Master for the Active System . . . . .	363
6. Alternate System at Start of Takeover. . . . .	659
7. Newly Created Active System after Takeover . . . . .	660
8. I/O Toleration Phase of Processing. . . . .	702
9. /UNLOCK SYSTEM Command . . . . .	703
10. EEQE Deleted as Part of /UNLOCK SYSTEM Processing . . . . .	703



# Tables

I	1. Command and Keyword Changes for IMS Version 9 . . . . .	xxix
	2. Commands and Keywords that Support Generic Parameters. . . . .	19
	3. Terminal Security Defaults for IMS Commands . . . . .	24
	4. Commands Recovered During Emergency Restart . . . . .	26
	5. Commands Logged to the Secondary Master Terminal . . . . .	27
	6. Commands Supported from an AO Application Using CMD . . . . .	28
	7. Commands Supported from an AO Application Using ICMD . . . . .	30
	8. List of IMS Commands Mirrored on an XRF Alternate . . . . .	33
	9. List of Commands Supported on the XRF Alternate . . . . .	34
	10. Commands and Keywords Allowable on an IMS DB/DC RSR Tracking Subsystem . . . . .	36
	11. Commands Supported from LU 6.2 Devices and OTMA . . . . .	38
	12. Terminal Security Defaults for IMS Commands from LU 6.2 Devices and OTMA . . . . .	39
	13. Commands Supported by the OM API . . . . .	40
2	14. Keywords, Synonyms, and Their Environments. . . . .	43
	15. Commands That Support the USER Keyword . . . . .	76
	16. Valid Environments for the /ACTIVATE Command and Keywords . . . . .	95
	17. Valid Environments for the /ALLOCATE Command and Keywords . . . . .	97
	18. Valid Environments for the /ASSIGN Command and Keywords . . . . .	100
	19. Relationships Between COMPONENT/ICOMPONENT Values and Terminals . . . . .	104
	20. Valid Environments for the /BROADCAST Command and Keywords . . . . .	115
	21. Valid Environments for the /CANCEL Command . . . . .	121
	22. Valid Environments for the /CHANGE Command and Keywords . . . . .	124
	23. Changing the TIMEOUT Value . . . . .	131
	24. Changing the INTERVAL Value . . . . .	131
	25. Valid Environments for the /CHECKPOINT Command and Keywords . . . . .	139
	26. IMS Shutdown Options and Their Effect on IMS Resources. . . . .	141
	27. Valid Environments for the /CLSDST Command and Keywords . . . . .	145
	28. Valid Environments for the /COMPT Command and Keywords. . . . .	149
	29. Valid Environments for the /CQCHKPT Command and Keywords . . . . .	153
	30. Valid Environments for the /CQQUERY Command and Keywords . . . . .	155
	31. Valid Environments for the /CQSET Command and Keywords . . . . .	157
	32. Valid Environments for the /DBDUMP Command and Keywords . . . . .	159
	33. Return and reason code for the GLOBAL keyword issued from the OM API. . . . .	161
	34. Valid Environments for the /DBRECOVERY Command and Keywords . . . . .	163
	35. Return and reason code for GLOBAL keyword issued from the OM API . . . . .	166
	36. Valid Environments for the /DELETE Command and Keywords . . . . .	171
	37. Valid Environments for the DELETE Command and Keywords . . . . .	175
	38. Output Fields for the DELETE LE Command . . . . .	176
	39. Return and Reason Codes for the DELETE LE Command . . . . .	177
	40. Completion Code for the DELETE LE Command . . . . .	177
	41. Parameter Override Table Entries for DELETE LE Example. . . . .	177
	42. Example Filters and Resulting Actions for DELETE LE Command . . . . .	178
	43. Valid Environments for the /DEQUEUE Command and Keywords . . . . .	183
	44. Valid Environments for the /DIAGNOSE Command and Keywords . . . . .	191
	45. Valid Environments for the /DISPLAY Command and Keywords . . . . .	209
	46. /DISPLAY AREA Command Attributes. . . . .	220
	47. /DISPLAY DATABASE Command Attributes . . . . .	225
	48. /DISPLAY LINE Command Attributes . . . . .	230
	49. Work in Progress For Resources that Prevent a Successful /MODIFY COMMIT . . . . .	235
	50. Parameters Supported in a DBCTL Environment. . . . .	235
	51. Parameters Supported in a DCCTL Environment. . . . .	236
	52. Storage Pools and Their Environments . . . . .	248
	53. /DISPLAY PTERM Command Attributes . . . . .	255

54.	/DISPLAY STATUS Resource States Displayed (No Keywords)	263
55.	Display Exit Entry Points for Tracing	269
56.	Valid Environments for the /END Command and Keywords	351
57.	Valid Environments for the /ERESTART Command and Keywords	354
58.	Security Keywords and Their Startup Parameter Equivalents	357
59.	/ERESTART FORMAT Command Parameter Environments	358
60.	Valid Environments for the /EXCLUSIVE Command and Keywords	365
61.	Valid Environments for the /EXIT Command and Keywords	367
62.	Valid Environments for the /FORMAT Command and Keyword	371
63.	Valid Environments for the /HOLD Command	373
64.	Valid Environments for the /IAM Command and Keywords	375
65.	Valid Environments for the /IDLE Command and Keywords	377
66.	Valid Environments for the /LOCK Command and Keywords	381
67.	Valid Environments for the INITIATE OLC Command and Keywords	385
68.	INITIATE OLC Output Field Descriptions.	393
69.	Return and Reason Codes for INITIATE OLC	394
70.	Completion Codes for the INITIATE OLC Command	398
71.	Valid Environments for the /LOG Command	413
72.	Valid Environments for the /LOOPTEST Command and Keywords	415
73.	Valid Environments for the /MODIFY Command and Keywords	417
74.	Resources and Parameters Available to the /MODIFY Command	418
75.	/MODIFY PREPARE Parameters Environments	420
76.	Valid Environments for the /MONITOR Command and Keywords.	425
77.	Valid Environments for the /MSASSIGN Command and Keywords	427
78.	Valid Environments for the /MSVERIFY Command and Keywords	431
79.	Valid Environments for the /NRESTART Command and Keywords	437
80.	Security Keywords and Their Startup Parameter Equivalents	438
81.	/NRESTART FORMAT Command Parameter Environments.	440
82.	Valid Environments for the /OPNDST Command and Keywords	447
83.	Valid Environments for the /PSTOP Command and Keywords	453
84.	Valid Environments for the /PURGE Command and Keywords.	461
I 85.	Valid Environments for QUERY AREA Command and Keywords	468
I 86.	Valid Environments for QUERY DB Command and Keywords	468
87.	Valid Environments for QUERY IMSPLEX Command and Keywords	469
88.	Valid Environments for the QUERY LE Command and Keywords.	469
89.	Valid Environments for the QUERY MEMBER Command and Keywords	469
90.	Valid Environments for the QUERY OLC Command and Keywords	469
91.	Valid Environments for the QUERY STRUCTURE Command and Keywords	469
92.	Valid Environments for the QUERY TRAN Command and Keywords	470
3 93.	Output Fields for QUERY AREA Command.	472
I 94.	Status Conditions for QUERY AREA	473
I 95.	ADS Status Conditions for QUERY AREA	474
I 96.	Return and Reason Code for the QUERY AREA Command.	474
I 97.	Completion Codes for the QUERY AREA Command	475
I 98.	QUERY AREA Compared to Similar IMS Commands	475
3 99.	Output Fields for QUERY DB Command.	479
I 100.	Database Status Conditions for the QUERY DB Command	481
I 101.	Return and Reason Codes for the QUERY DB Command	481
I 102.	Completion Codes for the QUERY DB Command	482
I 103.	QUERY DB Command Compared to Similar Commands.	482
104.	Output Fields for QUERY IMSPLEX Command	489
105.	QUERY IMSPLEX Status Table	489
106.	QUERY IMSPLEX Member Types	490
107.	QUERY IMSPLEX Member Subtypes.	490
108.	Return and Reason Codes for the QUERY IMSPLEX Command.	492
109.	Completion Codes for the QUERY IMSPLEX Command	492

110. Output Fields for QUERY LE Command . . . . .	497
111. Return and Reason Codes for the QUERY LE command . . . . .	497
112. Completion code for the QUERY LE command . . . . .	497
113. Parameter Override Table Entries for Example 1. . . . .	498
114. Output Fields for QUERY MEMBER Command . . . . .	502
115. Attributes for QUERY MEMBER Command. . . . .	503
116. Status for QUERY MEMBER Command . . . . .	503
117. Return and Reason Codes for QUERY MEMBER Command . . . . .	506
118. Completion Codes for QUERY MEMBER . . . . .	506
119. Output Fields for the QUERY OLC Command. . . . .	510
120. Return and Reason Codes for the QUERY OLC Command. . . . .	513
121. Completion Codes for the QUERY OLC Command . . . . .	513
122. Output Fields for the QUERY STRUCTURE Command . . . . .	517
123. Return and Reason Codes for the QUERY STRUCTURE Command . . . . .	519
124. Completion Codes for the QUERY STRUCTURE Command . . . . .	519
125. QUERY TRAN Compared to Other Similar Commands . . . . .	524
126. Output Fields for the QUERY TRAN Command . . . . .	524
127. Return and Reason Codes for the QUERY TRAN Command . . . . .	528
128. Completion Codes for the QUERY TRAN Command . . . . .	529
129. Valid Environments for the /QUIESCE Command and Keywords . . . . .	537
130. Valid Environments for the /RCLSDST Command . . . . .	539
131. Valid Environments for the /RCOMPT Command and Keywords . . . . .	541
132. Valid Environments for the /RDISPLAY Command and Keyword . . . . .	543
133. Valid Environments for the /RECOVER Command and Keywords . . . . .	546
134. Valid Environments for the /RELEASE Command and Keyword . . . . .	561
135. Valid Environments for the /RESET Command . . . . .	563
136. Valid Environments for the /RMxxxxxx Command and Keyword . . . . .	565
137. Functions of the DBRC Commands Supported Online. . . . .	566
138. DBRC Modifiers for the /RMxxxxxx Commands . . . . .	566
139. Valid Environments for the /RSTART Command and Keywords . . . . .	573
140. Valid Environments for the /RTAKEOVER Command and Keywords . . . . .	579
141. Valid Environments for the /SECURE Command and Keywords . . . . .	583
142. Valid Environments for the /SET Command and Keywords . . . . .	587
143. Valid Environments for the /SIGN Command . . . . .	591
144. Valid Environments for the /SMCOPY Command and Keywords . . . . .	597
145. Commands that Are Logged to the Secondary Master Terminal . . . . .	597
146. Valid Environments for the /SSR Command . . . . .	599
147. Valid Environments for the /START Command and Keywords . . . . .	604
148. Return and reason code for GLOBAL keyword issued from the OM API . . . . .	607
149. Return and reason code for GLOBAL keyword issued from the OM API . . . . .	610
150. Valid Environments for the /STOP Command and Keywords . . . . .	631
151. Return and reason code for GLOBAL keyword issued from the OM API . . . . .	634
152. Valid Environments for the /SWITCH Command and Keywords . . . . .	657
153. Valid Environments for the TERMINATE OLC Command. . . . .	661
154. Output Fields for the TERMINATE Command . . . . .	662
155. Return and Reason Codes for the TERMINATE Command . . . . .	663
156. Completion Codes for the TERMINATE Command . . . . .	667
157. Valid Environments for the /TEST Command and Keywords . . . . .	673
158. Valid Environments for the /TRACE Command and Keywords . . . . .	680
159. MONITOR Keyword Parameter Environments. . . . .	685
160. /TRACE Command Formats . . . . .	686
161. Trace Tables and Environments in Which They Are Valid. . . . .	689
162. UNITYPE Parameters and Terminal Types . . . . .	693
163. Valid Environments for the /UNLOCK Command and Keywords . . . . .	699
I 164. Valid Environments for the UPDATE AREA Command and Keywords . . . . .	707
I 165. Valid Environments for the UPDATE DATAGRP Command and Keywords . . . . .	708

I	166. Valid Environments for the UPDATE DB Command and Keywords . . . . .	708
	167. Valid Environments for the UPDATE LE Command and Keywords . . . . .	708
	168. Valid Environments for the UPDATE TRAN Command and Keywords . . . . .	708
3	169. Output Fields for the UPDATE AREA Command . . . . .	711
2	170. Return and Reason Codes for the UPDATE AREA Command . . . . .	712
2	171. Completion Codes for the UPDATE AREA Command . . . . .	713
2	172. UPDATE AREA Command Compared to Other Similar IMS Commands . . . . .	714
I	173. Output Fields for UPDATE DATAGRP Command . . . . .	719
I	174. Return and Reason Codes for the UPDATE DATAGRP Command . . . . .	719
I	175. Completion Codes for the UPDATE DATAGRP Command . . . . .	720
I	176. UPDATE DATAGRP Command Compared to Other IMS Commands . . . . .	721
I	177. UPDATE DB Output Fields. . . . .	729
I	178. Return and Reason Codes for UPDATE DB . . . . .	729
I	179. Completion Codes for UPDATE DB . . . . .	731
I	180. UPDATE DB Command Compared to Other IMS Commands . . . . .	734
	181. Output Fields for the UPDATE LE Command . . . . .	740
	182. Return and Reason Codes for the UPDATE LE Command . . . . .	740
	183. Completion Code for the UPDATE LE Command . . . . .	740
	184. Parameter Override Table Entries for UPDATE LE Example 1 . . . . .	741
2	185. Output Fields for the UPDATE TRAN Command . . . . .	745
	186. Return and Reason Codes for the UPDATE TRAN Command . . . . .	745
	187. Completion Code for the UPDATE TRAN Command . . . . .	747
	188. UPDATE TRAN Compared to Other Commands . . . . .	747
	189. Valid Environments for the /UNLOAD Command and Keyword . . . . .	751
	190. Valid Values for OWNER Parameter . . . . .	817
	191. Commands and Keywords Valid in DBCTL . . . . .	839
	192. Commands and Keywords Valid in DCCTL . . . . .	841
	193. Words Used and Reserved Only for IMS Commands . . . . .	845
	194. Commands Valid in ETO . . . . .	853
	195. Attributes and Status in the /DISPLAY Command . . . . .	855
	196. Resource Names and RACF Authority for IMS Commands . . . . .	869

---

## Notices

This information was developed for products and services offered in the U.S.A. IBM may not offer the products, services, or features discussed in this document in other countries. Consult your local IBM representative for information on the products and services currently available in your area. Any reference to an IBM product, program, or service is not intended to state or imply that only that IBM product, program, or service may be used. Any functionally equivalent product, program, or service that does not infringe any IBM intellectual property right may be used instead. However, it is the user's responsibility to evaluate and verify the operation of any non-IBM product, program, or service.

IBM may have patents or pending patent applications covering subject matter described in this document. The furnishing of this document does not give you any license to these patents. You can send license inquiries, in writing, to:

IBM Director of Licensing  
IBM Corporation  
North Castle Drive  
Armonk, NY 10504-1785  
U.S.A.

For license inquiries regarding double-byte (DBCS) information, contact the IBM Intellectual Property Department in your country or send inquiries, in writing, to:

IBM World Trade Asia Corporation  
Licensing  
2-31 Roppongi 3-chome, Minato-ku  
Tokyo 106, Japan

**The following paragraph does not apply to the United Kingdom or any other country where such provisions are inconsistent with local law:**

INTERNATIONAL BUSINESS MACHINES CORPORATION PROVIDES THIS PUBLICATION "AS IS" WITHOUT WARRANTY OF ANY KIND, EITHER EXPRESS OR IMPLIED, INCLUDING, BUT NOT LIMITED TO, THE IMPLIED WARRANTIES OF NON-INFRINGEMENT, MERCHANTABILITY OR FITNESS FOR A PARTICULAR PURPOSE. Some states do not allow disclaimer of express or implied warranties in certain transactions, therefore, this statement may not apply to you.

This information could include technical inaccuracies or typographical errors. Changes are periodically made to the information herein; these changes will be incorporated in new editions of the publication. IBM may make improvements and/or changes in the product(s) and/or the program(s) described in this publication at any time without notice.

Any references in this information to non-IBM Web sites are provided for convenience only and do not in any manner serve as an endorsement of those Web sites. The materials at those Web sites are not part of the materials for this IBM product and use of those Web sites is at your own risk.

IBM may use or distribute any of the information you supply in any way it believes appropriate without incurring any obligation to you.

Licensees of this program who wish to have information about it for the purpose of enabling: (i) the exchange of information between independently created programs



and other programs (including this one) and (ii) the mutual use of the information which has been exchanged, should contact:

IBM Corporation  
J46A/G4  
555 Bailey Avenue  
San Jose, CA 95141-1003  
U.S.A.

Such information may be available, subject to appropriate terms and conditions, including in some cases, payment of a fee.

The licensed program described in this information and all licensed material available for it are provided by IBM under terms of the IBM Customer Agreement, IBM International Program License Agreement, or any equivalent agreement between us.

Any performance data contained herein was determined in a controlled environment. Therefore, the results obtained in other operating environments may vary significantly. Some measurements may have been made on development-level systems and there is no guarantee that these measurements will be the same on generally available systems. Furthermore, some measurement may have been estimated through extrapolation. Actual results may vary. Users of this document should verify the applicable data for their specific environment.

Information concerning non-IBM products was obtained from the suppliers of those products, their published announcements or other publicly available sources. IBM has not tested those products and cannot confirm the accuracy of performance, compatibility or any other claims related to non-IBM products. Questions on the capabilities of non-IBM products should be addressed to the suppliers of those products.

All statements regarding IBM's future direction or intent are subject to change or withdrawal without notice, and represent goals and objectives only.

This information is for planning purposes only. The information herein is subject to change before the products described become available.

This information contains examples of data and reports used in daily business operations. To illustrate them as completely as possible, the examples include the names of individuals, companies, brands, and products. All of these names are fictitious and any similarity to the names and addresses used by an actual business enterprise is entirely coincidental.

#### COPYRIGHT LICENSE:

This information contains sample application programs in source language, which illustrates programming techniques on various operating platforms. You may copy, modify, and distribute these sample programs in any form without payment to IBM, for the purposes of developing, using, marketing or distributing application programs conforming to the application programming interface for the operating platform for which the sample programs are written. These examples have not been thoroughly tested under all conditions. IBM, therefore, cannot guarantee or imply reliability, serviceability, or function of these programs. You may copy, modify, and distribute these sample programs in any form without payment to IBM for the purposes of developing, using, marketing, or distributing application programs conforming to IBM's application programming interfaces.



Each copy or any portion of these sample programs or any derivative work, must include a copyright notice as follows:

© (your company name) (year). Portions of this code are derived from IBM Corp. Sample Programs. © Copyright IBM Corp. \_enter the year or years\_. All rights reserved.

If you are viewing this information softcopy, the photographs and color illustrations may not appear.

---

## Programming Interface Information

This book is intended to help terminal operators use the IMS Version 9 commands and the z/OS commands used for the Internal Resource Lock Manager. This book primarily documents General-use Programming Interface and Associated Guidance Information provided by IMS Version 9.

General-use programming interfaces allow the customer to write programs that obtain the services of IMS Version 9.

However, this book also documents Product-sensitive Programming Interface and Associated Guidance Information provided by IMS Version 9.

Product-sensitive programming interfaces allow the customer installation to perform tasks such as diagnosing, modifying, monitoring, repairing, tailoring, or tuning of IMS Version 9. Use of such interfaces creates dependencies on the detailed design or implementation of the IBM software product. Product-sensitive programming interfaces should be used only for these specialized purposes. Because of their dependencies on detailed design and implementation, it is to be expected that programs written to such interfaces may need to be changed in order to run with new product releases or versions, or as a result of service.

---

### Product-sensitive programming interface

Product-sensitive Programming Interface and Associated Guidance Information is identified where it occurs, either by an introductory statement to a chapter or section or by the markup that surrounds this paragraph.

---

### End of Product-sensitive programming interface

---

## Trademarks

The following terms are trademarks of the IBM Corporation in the United States or other countries or both:

ACF/VTAM	IMS/ESA
BookManager	MVS/ESA
CICS	RACF
Hiperspace	VTAM
IBM	z/OS
IMS	

Java and all Java-based trademarks and logos are trademarks of Sun Microsystems, Inc., in the United States, other countries, or both.

UNIX is a registered trademark of The Open Group in the United States and other countries.

Other company, product, and service names may be trademarks or service marks of others.

---

## Product Names

In this book, the licensed program “DB2 Universal Database for z/OS” is referred to as “DB2.”

---

## Preface

This book provides terminal operators with the information needed to use:

- IMS Commands
- z/OS Commands used for IMS
- Transport Manager Subsystem (TMS) commands
- Base Product Environment (BPE) commands

Because each user's IMS system is tailored to a specific operating configuration, this book is not intended to serve each installation's operational needs. It is recommended that each installation prepare an operator's guide to meet the needs of its IMS terminal operators. Use the contents of this manual to create or supplement the guide your installation prepares.

This book is available on the IMS Version 9 Licensed Product Kit (LK3T-7092). You can also get the most current versions of the PDF and BookManager formats by going to the IMS Web site at [www.ibm.com/software/data/ims](http://www.ibm.com/software/data/ims) and linking to the Library page.

---

## Summary of Contents

This book contains:

- Part 1, "Introduction," on page 1 introduces the IMS command language, including the format, keywords, parameters, syntax notation, and examples for the IMS commands.
- Part 2, "IMS Commands," on page 79 describes the IMS commands, in alphabetical order, and includes syntax diagrams.
- Part 3, "z/OS (MVS) Commands Used for IMS," on page 753 describes the z/OS commands used with the Internal Resource Lock Manager (IRLM) and includes the syntax diagrams.
- Part 4, "IMS Transport Manager Subsystem Commands," on page 795 describes the IMS Transport Manager Subsystem commands and includes the syntax diagrams.
- Part 5, "Base Primitive Environment Commands," on page 813 describes the general Base Product Environment (BPE) commands.
- A set of appendixes:
  - Appendix A, "DBCTL Commands," on page 839
  - Appendix B, "DCCTL Commands," on page 841
  - Appendix C, "List of Reserved Words," on page 845
  - Appendix D, "Shared Secondary Index Database Commands," on page 849
  - Appendix E, "Commands with the NODE USER Keyword Combination," on page 851
  - Appendix F, "Commands That Are Valid in ETO," on page 853
  - Appendix G, "Status and Attributes for the /DISPLAY Command," on page 855
  - Appendix H, "High Availability Large Database Commands," on page 867
  - Appendix I, "IMS Commands, RACF Access Authorities and Resource Names Table," on page 869

For quick reference to the commands, see *IMS Version 9: Summary of Operator Commands*, which contains syntax diagrams of all the commands described in this publication.

---

## Prerequisite Knowledge

Before using this book, you should understand basic IMS concepts and your installation's IMS system. IMS can run in the following environments: DB batch, TM batch, DB/DC, DBCTL, and DCCTL. You should understand the environments that apply to your installation. For a complete list of courses, see the IMS home page on the IMS Web site at [www.ibm.com/ims](http://www.ibm.com/ims).

**Recommendation:** Before using this book, you should be familiar with the following books:

- *IMS Version 9: Operations Guide*
- *OS/390 JES2 Commands*
- *OS/390 JES3 Commands*
- *OS/390 MVS System Commands*

---

## Syntax Diagrams

The following rules apply to the syntax diagrams used in this book:

### Arrow symbols

Read the syntax diagrams from left to right, from top to bottom, following the path of the line.

- ▶— Indicates the beginning of a statement.
- ▶ Indicates that the statement syntax is continued on the next line.
- ▶— Indicates that a statement is continued from the previous line.
- ▶◀ Indicates the end of a statement.

Diagrams of syntactical units other than complete statements start with the ▶— symbol and end with the —▶ symbol.

### Conventions

- Keywords, their allowable synonyms, and reserved parameters, appear in uppercase for MVS and OS/2 operating systems, and lowercase for UNIX operating systems. These items must be entered exactly as shown.
- Variables appear in lowercase italics (for example, *column-name*). They represent user-defined parameters or suboptions.
- When entering commands, separate parameters and keywords by at least one blank if there is no intervening punctuation.
- Enter punctuation marks (slashes, commas, periods, parentheses, quotation marks, equal signs) and numbers exactly as given.
- Footnotes are shown by a number in parentheses, for example, (1).
- A `␣` symbol indicates one blank position.

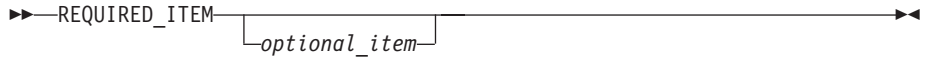
### Required items

Required items appear on the horizontal line (the main path).

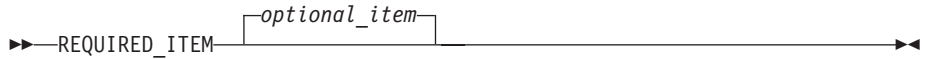
▶—REQUIRED\_ITEM—▶

**Optional Items**

Optional items appear below the main path.

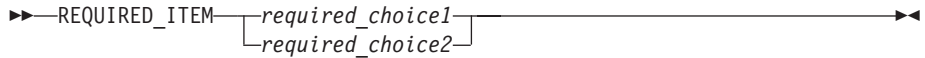


If an optional item appears above the main path, that item has no effect on the execution of the statement and is used only for readability.

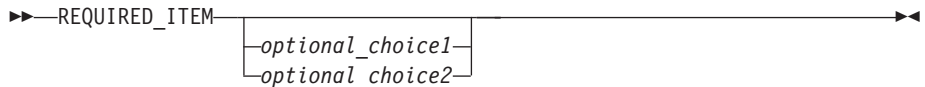


**Multiple required or optional items**

If you can choose from two or more items, they appear vertically in a stack. If you *must* choose one of the items, one item of the stack appears on the main path.

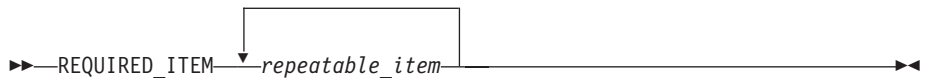


If choosing one of the items is optional, the entire stack appears below the main path.

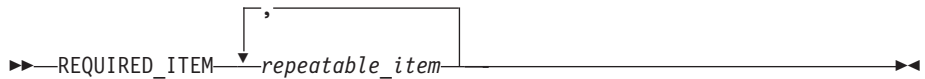


**Repeatable items**

An arrow returning to the left above the main line indicates that an item can be repeated.



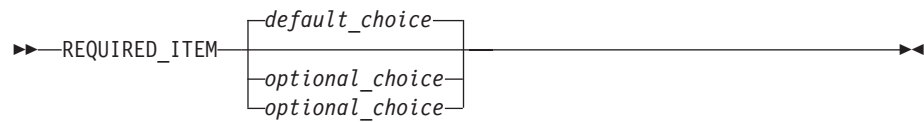
If the repeat arrow contains a comma, you must separate repeated items with a comma.



A repeat arrow above a stack indicates that you can specify more than one of the choices in the stack.

**Default keywords**

IBM-supplied default keywords appear above the main path, and the remaining choices are shown below the main path. In the parameter list following the syntax diagram, the default choices are underlined.



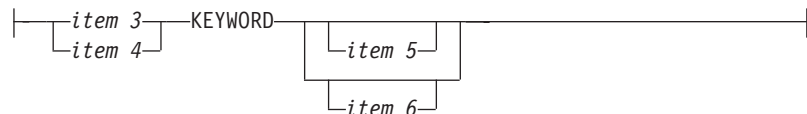
**IMS-specific syntax information**

**Fragments**

Sometimes a diagram must be split into fragments. The fragments are represented by a letter or fragment name, set off like this: | A |. The fragment follows the end of the main diagram. The following example shows the use of a fragment.

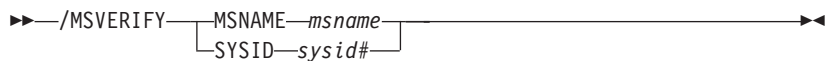


**A:**



**Parameter endings**

Parameters with number values end with the symbol '#', parameters that are names end with 'name', and parameters that can be generic end with '\*'.



The MSNAME keyword in the example supports a name value and the SYSID keyword supports a number value.

---

**How to Send Your Comments**

Your feedback is important in helping us provide the most accurate and highest quality information. If you have any comments about this book or any other IMS documentation, you can do one of the following:

- Go to the IMS home page at: [www.ibm.com/ims](http://www.ibm.com/ims). There you will find an online feedback page where you can enter and submit comments.
- Send your comments by e-mail to [imspubs@us.ibm.com](mailto:imspubs@us.ibm.com). Be sure to include the name of the book, the part number of the book, the version of IMS, and, if applicable, the specific location of the text you are commenting on (for example, a page number or table number).
- Fill out one of the forms at the back of this book and return it by mail, by fax, or by giving it to an IBM representative.

---

**Change Indicators**

Technical changes are indicated in this publication by a vertical bar (|) to the left of the changed text.

## Summary of Changes

### Changes to This Book for IMS Version 9

#### New and Changed Commands and Keywords

Table 1 shows the new and changed commands and keywords for IMS Version 9. It also includes a brief description of the changes.

*Table 1. Command and Keyword Changes for IMS Version 9*

Command	Keyword	Description of Change
/DIAGNOSE	SNAP, BLOCK, NODE, TRAN	New command and keywords
QUERY	AREA, DB, NAME, OPTION, SHOW, STATUS	New keywords
/RECOVER	VERIFY	New keyword
UPDATE AREA	AREA, DATAGRP, DB, NAME, OPTION, SCOPE, SET, START, STOP	New keywords

This edition is a draft version of this book intended for use during the Quality Partnership Program (QPP). Contents of this book are preliminary and under development.

### Library Changes for IMS Version 9

Changes to the IMS Library for Version 9 include the addition of new titles, the change of one title, and organizational changes.

#### New and Revised Titles

The following list details major changes to the IMS Version 9 library:

- *IMS Version 9: HALDB Online Reorganization Guide and Reference*

The library includes a new book: *IMS Version 9: HALDB Online Reorganization Guide and Reference* (OLR). As a new book, the OLR is available only in PDF and BookManager.

- *IMS Version 9: An Introduction to IMS*

The library includes a new book: *IMS Version 9: An Introduction to IMS* (INTRO).

- The book formerly titled *IMS Version 8: IMS Java User's Guide* is now titled *IMS Version 9: IMS Java Guide and Reference*.

#### Organizational Changes

TBD

#### Accessibility Enhancements

Accessibility features help a user who has a physical disability, such as restricted mobility or limited vision, to use software products successfully. The major accessibility features in z/OS products, including IMS, enable users to:

- Use assistive technologies such as screen-readers and screen magnifier software
- Operate specific or equivalent features using only the keyboard

- Customize display attributes such as color, contrast, and font size

### **User Assistive Technologies**

Assistive technology products, such as screen readers, function with the user interfaces found in IMS. Consult the assistive technology documentation for specific information when using it to access these interfaces.

### **Accessible Documentation**

Online documentation for IMS Version 9 is available in BookManager format, which is an accessible format. All BookManager functions can be accessed by using a keyboard or keyboard shortcut keys. BookManager also allows you to use screen readers and other assistive technologies. The BookManager READ/MVS product is included with the OS/390 base product, and the BookManager Library Reader (for workstations) is available on the IMS Licensed Product Kit (CD), which is available for downloading from IBM at [www.ibm.com](http://www.ibm.com).

### **Keyboard Navigation of the User Interface**

Users can access IMS user interfaces using TSO/E or ISPF. Refer to the *z/OS : TSO/E Primer*, *z/OS : TSO/E User's Guide*, *z/OS : ISPF User's Guide*. These guides describe how to navigate each interface, including the use of keyboard shortcuts or function keys (PF keys). Each guide includes the default settings for the PF keys and explains how to modify their functions.



# Part 1. Introduction

	<b>Chapter 1. IMS Command Language</b>	3
	Introduction	3
	How to Enter an IMS Command	3
	IMS MFS 3270 Master Terminal Format	3
	Using Multiple Console Support (MCS) Consoles	6
	Outstanding Reply Numbers on z/OS Consoles	7
	Maximum Length of Command Input from z/OS Consoles	8
	Multisegment Command Input	8
	Commands in a DBCTL Environment	9
	Commands from an LU 6.2 Device	10
	Qualifying Network LU Names and Commands	10
	TSO SPOC Format	11
3	Control Center Format	12
	Commands from the OM API	12
	Command Responses to OM	13
	Command Responses	14
	Responses to LU 6.2 Devices	14
	Sending Messages to the z/OS System Console	15
	Sending Messages to the IMS Master Terminal	15
	IMS Terminal Command Examples	15
	TSO SPOC Command Examples	16
	OM API Command Examples	16
	IMS Classic Command Format	16
	Command Recognition Character	17
	Verb	17
	Keywords	17
	Parameters	17
	Null Keywords	20
	Comments	21
3	Passwords	21
	Command Processing in an IMSplex	21
	Command Routing	21
	Command Behavior and the Resource Manager	22
	IMSplex Command Format	22
	Command Characteristics	24
	Terminal Security Defaults	24
	Commands Recovered During Emergency Restart	26
	Commands Logged to the Secondary Master Terminal	27
	Commands Supported from an AO Application	27
	Using CMD Call	28
	Using ICMD Call	30
	Command Security When Using OM	33
	Commands Mirrored on an XRF Alternate	33
	Commands Supported on the XRF Alternate	34
	Commands and Keywords Supported on an RSR Tracking Subsystem	36
	BTAM Terminals in an RSR Environment	38
	Commands Supported from LU 6.2 Devices and OTMA	38
	Terminal Security Defaults for LU 6.2 Devices and OTMA	39
	Commands Supported by the OM API	39
	<b>Chapter 2. Keyword Table and Definitions</b>	43



---

# Chapter 1. IMS Command Language

---

## Introduction

This chapter describes how to use the IMS™ master terminal, TSO SPOC, or the OM API for messages, commands, and responses; how to input IMS classic commands and IMSplex commands; and how to read the command syntax diagrams, command characteristics, and command keyword definitions. The commands are described in alphabetical order in Part 2, “IMS Commands,” on page 79

Classic IMS commands can be entered from the master terminal. IMS classic commands are commands that are in the original IMS command syntax. Certain classic IMS commands can be entered from remote terminals, from the master terminal, or both. The criteria used for determining which commands can be entered from which terminals are established differently for statically defined terminals and for dynamically created terminals. IMS system definition and the Security Maintenance utility establish the criteria for statically defined terminals. RACF® or equivalent security product establishes the criteria for dynamically created terminals.

The standard terminal command defaults created by system definition can be modified by the Security Maintenance utility. Table 3 on page 24 shows the terminal security defaults for IMS commands established by IMS system definition.

Optionally, commands can be entered from a TSO SPOC or the OM API. Both IMS classic commands and IMSplex commands can be entered from a TSO SPOC or the OM API. However, IMSplex commands can only be entered from an OM API, not a master or remote terminal. Some classic IMS commands are not supported by the OM API and some are not recoverable.

z/OS commands can be entered only at the z/OS system console and not from the IMS master terminal.

---

## How to Enter an IMS Command

This section describes the following:

- “IMS MFS 3270 Master Terminal Format”
- “Using Multiple Console Support (MCS) Consoles” on page 6
- “Outstanding Reply Numbers on z/OS Consoles” on page 7
- “Maximum Length of Command Input from z/OS Consoles” on page 8
- “Multisegment Command Input” on page 8
- “Commands in a DBCTL Environment” on page 9
- “Commands from an LU 6.2 Device” on page 10
- “Qualifying Network LU Names and Commands” on page 10
- “TSO SPOC Format” on page 11
- “Control Center Format” on page 12

## IMS MFS 3270 Master Terminal Format

This section describes how to use the IMS master terminal for messages, commands, and responses. The IMS master terminal consists of two components of the IBM® 3270 Information Display System:

- A 3270 display screen with 24 lines by 80 columns; a screen size of 1920 characters
- A 3270 printer

All IMS system messages for the master terminal are sent to the display screen. Most system messages, commands and responses are also sent to the printer to provide a hard copy record.

The format of the display screen is normally divided into five areas:

- System status area (line 1)
- Message area (lines 2-10)
- Display area (lines 12-21)
- Warning message area (line 22)
- User input area (lines 23 and 24)

Figure 1 is a screen that shows the format of the master terminal display screen.

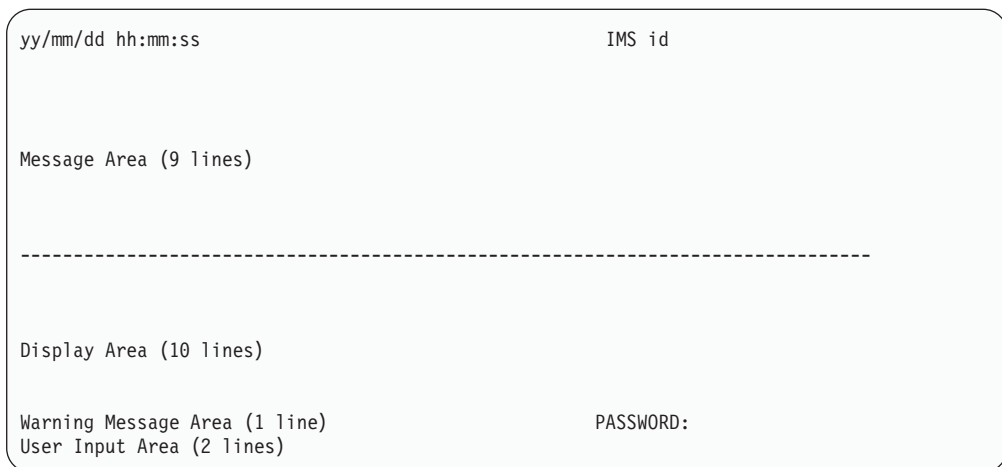


Figure 1. Master Terminal Format

Figure 2 on page 5 is a screen that shows the format of the master terminal display screen in an extended recovery facility (XRF) environment.

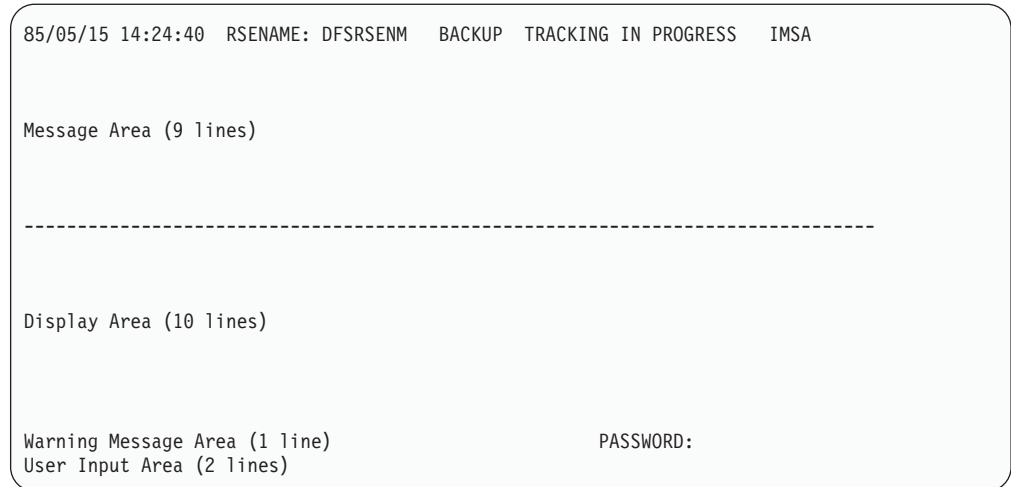


Figure 2. Master Terminal Format in XRF Environment

### System Status Area

This area (line 1) displays the date, time, and IMS identifier:

**Date** Current date

**Time** Current time

#### IMS Identifier

IMS system ID

If the system is XRF capable, the following information is also displayed on the status line:

**RSEname** Recoverable service element name

**System** ACTIVE or BACKUP (field is completed following the initialization phase)

**Phase** Blank or one of the following:

**Initialization** Active or alternate system is in initialization phase

#### Synchronization

Alternate system processing SNAPQ checkpoint

#### Tracking in progress

Alternate system synchronized with active system and in the process of tracking active system

#### Takeover in progress

Alternate system in the process of taking over from active system

#### Awaiting I/O prevention

New active system is in I/O toleration mode and is awaiting completion of I/O prevention on the failing system prior to becoming a true active system

### Message Area

This area (lines 2 through 10) displays IMS system messages, messages from other terminals and programs, and responses to IMS commands, except responses to a /DISPLAY command. If the message area is full and more output needs to be

displayed, a warning message is sent. Press the PA1 key to receive more output. New data is displayed on the top line followed by a blank line to separate new data from old messages.

### Display Area

This area (lines 12 through 21) displays the output from a /DISPLAY command. If the response to the command exceeds the size of the area, a warning message is sent.

### Warning Message Area

This area (line 22) can contain one of the following warning messages:

#### MASTER LINES WAITING

A message being displayed in the message area has exceeded the available space and is only partially displayed.

#### MASTER MESSAGE WAITING

The message area is full, and a message from another terminal or program is waiting to be displayed.

#### DISPLAY LINES WAITING

The output of a /DISPLAY command exceeds the size of the display area.

#### USER MESSAGE WAITING

A message requiring the screen to be formatted differently is waiting to be displayed.

In all cases, press the PA1 key to receive the waiting output.

The literal PASSWORD is followed by an unprotected field with the nondisplay attribute at the end of line 22.

### User Input Area

This area (lines 23 and 24) is used to enter IMS commands. It consists of two 79-character segments, so you can enter multisegment commands such as /BROADCAST, /CHANGE, /RMxxxxxx, and /SSR. For example, to send a message to all active terminals, enter /BROADCAST ACTIVE on line 23 and enter the message text on line 24. The cursor is initially positioned by IMS to line 23, your first input line.

Sometimes the screen can lose this special format (for example, if you have pressed PA1 and received a user message, or if you have pressed the Clear key). To restore the format, enter /FORMAT DFSM02. If the screen is currently formatted with an application display, this command can be entered on the command input line at the bottom of the screen and must be terminated with a period.

## Using Multiple Console Support (MCS) Consoles

You can enter IMS commands from Multiple Console Support (MCS) or Extended Multiple Console Support (E-MCS) consoles. Use the CMDMCS keyword for the IMS, DBC, or DCC procedures during IMS system definition to allow commands to be entered from MCS or E-MCS consoles. See *IMS Version 9: Installation Volume 2: System Definition and Tailoring* for more information on the CMDMCS keyword.

In a DB/DC environment, if Multiple Console is enabled (CMDMCS other than 'n' specified), IMS commands can be entered from an MCS or E-MCS console by prefixing the command by either the CRC or IMSID. For example, if the CRC is '#' then a valid command would be #DIS A. If the IMSID is 'IMSP' then a valid command would be IMSPDIS A.

Each segment of an IMS command must begin with one of the following:

- The command-recognition character for the IMS subsystem
- The IMS ID of the IMS subsystem

For multisegment commands, each segment, except the last, must end with the command recognition character or IMS ID followed by the ENTER key. The last segment must end with only the EOM (end-of-message, or ENTER) character.

Prior to IMS Version 9, the only method of sending a command to all IMS subsystems in a sysplex (hereafter called an IMSplex) was to issue the z/OS ROUTE \*ALL command from an MCS or E-MCS console. See *OS/390 MVS System Commands* for more information on the ROUTE \*ALL command.

As of IMS Version 9, you can send commands to all the IMSs in an IMSplex by using an automated operations single-point-of-control (SPOC) application that sends commands and receives the responses to those commands through the Operations Manager (OM) application programming interface (API).

**Definition:** An IMSplex is one or more IMS subsystems that work together in groups that share databases, message queues, or both. Additionally, for the purposes of this book, this definition includes the idea of these IMSs being managed by components of the Common Service Layer (CSL), the Operations Manager (OM), the Resource Manager (RM), and the Structured Call Interface (SCI).

**Related Reading:** For more information about managing multiple IMSs in an IMSplex using SPOC application programs, see “Automated Operations” in the *IMS Version 9: Operations Guide*. For more information about the CSL components and the OM API, see the *IMS Version 9: Common Service Layer Guide and Reference*.

When you are using a Resource Manager (RM) structure in an IMSplex, it is best to issue commands to the Operations Manager (OM) through the TSO SPOC.

## Outstanding Reply Numbers on z/OS Consoles

Outstanding reply numbers are used only on z/OS system consoles. They are used to pass input directly to IMS. Terminals defined to IMS do not use outstanding reply numbers.

As an example, IMS might display the following on the z/OS console:

```
*48 DFS996I *IMS READY*
```

To communicate with IMS through the z/OS system console, you must reply with the outstanding reply number (in the above example, the number is 48). A reply might look like this:

```
R 48,/START DC
```

After IMS responds to the command, the next outstanding reply number is displayed with the DFS996I message, as follows:

```
DFS058I START COMMAND COMPLETED  
*49 DFS996I *IMS READY*
```

## Maximum Length of Command Input from z/OS Consoles

For single-segment commands that are entered from the z/OS console, the maximum character length (including command recognition characters), is 118. This limit is due to the current implementation of the WTOR macro.

## Multisegment Command Input

Multisegment commands require an EOS (end-of-segment) indicator for all segments preceding the last segment, and an EOM (end-of-message) indicator for the last segment. EOS and EOM will vary depending on the type of terminal entering the command. For example, on the system console, EOS is indicated by the ENTER key and EOM is indicated by entering a period followed by the ENTER key. Refer to the *IMS Version 9: Operations Guide* for a discussion of multisegment input for various device types.

The following are multisegment commands:

- /ALLOCATE
- /BROADCAST
- /CHANGE
- /ERESTART
- /LOOPTEST
- /OPNDST
- /RMxxxxxx
- /SSR

The period is used both as a delimiter for comments on IMS commands and as an EOM indicator for some terminal types. The following examples illustrate the use of the period in both contexts. “Example 4 for Multisegment Commands” on page 9 shows this.

### Example 1 for Multisegment Commands

System console entry:

```
24,/BRO MASTER. END OF DAY MESSAGE
25,I AM GOING HOME. PLEASE TAKE OVER.
```

Response on master terminal:

```
I AM GOING HOME. PLEASE TAKE OVER.
```

Explanation: The first input segment (reply 24) contains only the command and consists of a comment (END OF DAY MESSAGE) separated from the command itself (BRO MASTER) by a period. The second input segment (reply 25) consists of the data to be broadcast. The first period in segment 2 is part of the data and the second period in segment 2 is the EOM indicator for the system console.

### Example 2 for Multisegment Commands

System console entry:

```
26,/CHANGE DIRECT
27,ORY MFS. MODIFICATION.
```

Explanation: MODIFICATION in segment 2 is a comment and is separated from the command by the first period. The second period in segment 2 is the EOM indicator for the system console.



The above 2 segments are combined and the following is input to the command processor:

```
/CHANGE DIRECTORY MFS. MODIFICATION
```

### Example 3 for Multisegment Commands

System console entry:

```
28,/CHANGE LINK 1
29,2 3 FORCSESS.
```

Explanation: Certain forms of reply to the system console “outstanding reply” can compress out leading blanks from input segments. In the above example, the command processed by the /CHANGE command processor would be: /CHANGE LINK 12 3 FORCSESS. To obtain the desired command, /CHANGE LINK 1 2 3 FORCSESS, one of the following forms of reply could be used:

```
R 29,'/CHANGE LINK 1'
R 30,' 2 3 FORCSESS.'
```

or

```
29,/CHANGE LINK 1
30, 2 3 FORCSESS
```

### Example 4 for Multisegment Commands

LU2 or 3270 Display Terminal entry:

```
/FORMAT DFSM04
/BRO LTERM WTOR (eos)
this is segment 1 (eos)
this is segment 2 (eos)
this is segment 3 (eom)
```

Explanation: The remote terminal is first formatted by the /FORMAT command, where default format DFSM04 supports the input of 4 segments.

For LU2 and 3270 display terminals, enter a /FORMAT DFSM04 command before entering the multisegment command.

## Commands in a DBCTL Environment

In a DBCTL environment, there are no outstanding reply numbers for z/OS consoles, and therefore none should be entered. For a command, just enter the command recognition character (slash or other character preceding the verb) or IMS ID, followed by the command. DBCTL does not respond with the DFS996I outstanding reply number.

### Examples for DBCTL Commands

System console entry for single-segment command:

```
¢DIS DB PAYROLL
```

Explanation: ¢ is the command-recognition character for the DBCTL subsystem.

```
IMS1DIS DB PAYROLL
```

Explanation: IMS1 is the IMS ID for the DBCTL subsystem.

System console entry for multisegment command:

```
/RMI DBRC='IC DBD(DEDBDD01) AREA (DD01AR0) ICDSN(FVT31.DEDBDD01.DD01
AR0.IC.DUMMY1) ICDSN2/
/(FVT31.DEDBDD01.DD01AR0.IC2.DUMMY1) HSSP'
```

Explanation: The first segment of the /RMI command has the command recognition character at the beginning of the segment and at the end of the segment, to indicate another segment follows. The last segment has the command recognition character at the beginning of the segment only.

## Commands from an LU 6.2 Device

To enter a command from an LU 6.2 device, allocate a conversation using an IMS command verb as the TPNAME. The “/” must be included in the command word. The password option is not valid. (The password must be supplied as a part of the LU 6.2 ALLOCATE from the partner.) The normal LU 6.2 security provisions apply for this transaction.

**Restriction:** The APPC synchronization level of CONFIRM is ignored for commands from LU 6.2 devices.

Following are examples of the sequence of steps used to issue commands by allocating a synchronous conversation on an LU 6.2 device:

### Example 1 for Commands from an LU 6.2 Device

```
ALLOCATE
  -LUNAME=luname of IMS
  -TPNAME=/DISPLAY                               (Single segment command)
SEND
  -DATA=LTERM VA01 VA02.comments                (Data after period treated as comments)
PREPARE_TO_RECEIVE
RECEIVE                                         (Get header)
RECEIVE                                         (Get output for LTERM VA01)
RECEIVE                                         (Get output for LTERM VA02)
RECEIVE                                         (Get timestamp)
RC=DEALLOCATE
```

### Example 2 for Commands from an LU 6.2 Device

```
ALLOCATE
  -LUNAME=luname of IMS
  -TPNAME=/CHANGE                               (Multisegment command)
SEND
  -DATA=NODE                                    (Can spread over several SENDs)
SEND
  -DATA=VAT02 ASR OFF.comments                (Data after period treated as comments)
PREPARE_TO_RECEIVE
RECEIVE                                         (Get DFS058 CHANGE COMMAND COMPLETED)
RC=DEALLOCATE
```

### Example 3 for Commands from an LU 6.2 Device

```
ALLOCATE
  -LUNAME=luname of IMS
  -TPNAME=/BROADCAST
SEND
  -DATA=NODE VAT0*                             (1st SEND: the destination)
SEND
  -DATA=HELLO, HOW ARE YOU ALL?              (Subsequent SENDs: message to broadcast)
PREPARE_TO_RECEIVE
RECEIVE                                         (Get DFS058 BROADCAST COMMAND COMPLETED)
RC=DEALLOCATE
```

## Qualifying Network LU Names and Commands

Qualifying LU names gives the system administrator the liberty of using the same name for LUs on different systems by adding the network identifier. This eliminates the necessity to have unique names for every LU on every system in your complex.

A network-qualified LU name consists of a network identifier of the originating system that is 1 to 8 characters long, a period, and then the LU name, which is 1 to 8 characters long. IMS commands that include network-qualified LU names must be enclosed in single quotes. For example: 'NETID001.LUAPPC02'. No blanks are allowed in a network-qualified LU name.

The parameter ALL for either the network identifier or the LU name cannot be substituted in a command for a network-qualified LU name. ALL cannot represent all of the LU names or all of the networks.

The LU name in the LU 6.2 descriptors can be network-qualified.

The network-qualified LU name is optional on commands that support the LUNAME keyword.

## TSO SPOC Format

3 The TSO SPOC is an IBM-supplied application which can issue operator  
 3 commands in an IMSplex. The TSO SPOC application uses an ISPF panel interface  
 3 and communicates with an Operations Manager (OM) address space. OM then  
 3 communicates with all of the other address spaces in the IMSplex (for example,  
 3 IMS) as required for operations.

There can be more than one TSO SPOC in an IMSplex. However, it is optional in an IMSplex. The TSO SPOC provides the following functions to an IMSplex:

- Presents a single system image for an IMSplex by allowing the user to enter commands to all IMSs in the IMSplex from a single console.
- Displays consolidated command responses from multiple IMS address spaces.
- Sends a message to an IMS terminal connected to any IMS control region in the IMSplex by using the IMS /BROADCAST command.

The TSO SPOC has integrated online help which can be accessed by the PF1 key. There are three ways to issue commands in the IMS TSO SPOC application:

- By command line
- By retrieving a command
  - Using the ISPF RETRIEVE command
  - Using a command listed in the response area
  - Using the Command status panel
- By defining and using command shortcuts

These three methods can be used in any combination at any time. See the IMS TSO SPOC Online Tutorial, for more information about using the TSO SPOC application. For more IMSplex information, see *IMS Version 9: Common Service Layer Guide and Reference*.

Figure 3 on page 12 is a screen that shows the format of the TSO SPOC screen.

```

File      Display  View      Options  Help
-----
PLEX1                                IMS Single Point of Control
Command ==> _____

----- Plex .      Route .      Wait .
Response for:

CSLM000I (C) Copyright IBM Corp. 2000. All rights reserved.
F1=Help   f3=Exit   F4=Showlog F6=Expand F9=Retrieve F12=Cancel

```

Figure 3. TSO SPOC Screen Format

3 You can enter both IMS classic commands and IMSplex commands using the TSO  
 3 SPOC interface. The command is entered next to the command prompt (Command  
 3 ==> in the figure). Enter the IMSplex name in the Plex field. Enter the list of IMSs to  
 3 which to route the command, if applicable, in the Route field. After you type the  
 3 command, press Enter. The command issued is shown in the Response for: field  
 3 and the actual command response is shown below the Response for: field.

### Entering Comments from a TSO SPOC

For classic IMS commands, a period ends a command and anything after it is a comment. The following example shows a classic IMS command with a comment.

```
/DISPLAY ACT .a test comment
```

For IMSplex commands, the comment must be enclosed in a slash and asterisk. At the end of the last parameter of the command, type a forward slash followed by an asterisk, then the comment text, followed by an asterisk and slash. The comment text must not have an embedded asterisk slash in it. The following is an example of a command with a comment:

```
QUERY TRAN NAME(PART) SHOW(QCNT)/*Show queue count for tran part*/
```

## 3 Control Center Format

3 The IMS Control Center, included in the IBM DB2 Universal Database Control  
 3 Center, uses the IMS Single Point of Control (SPOC) functions to enable IMS  
 3 systems management from a Windows workstation.

3 You can issue and view IMS type-1 and type-2 commands from the IMS Control  
 3 Center. There are online wizards that help you build and issue commands. The  
 3 Control Center command output is similar to the output displayed from the TSO  
 3 SPOC. The same information is provided, but formatted in a windows-based  
 3 graphical interface.

3 For more information about the IMS Control Center, go to the IMS website at  
 3 [www.ibm.com/ims](http://www.ibm.com/ims) and link to the IMS Control Center.

---

## Commands from the OM API

An IMSplex is one or more IMS subsystems that work together in groups that share databases, message queues, or both, and are managed by components of the Common Service Layer (CSL). The CSL includes the Operation Manager (OM) API. For more information about the CSL, see *IMS Version 9: Common Service Layer Guide and Reference*. IMSplex commands, or commands from the OM API work differently from classic IMS commands. Classic IMS commands are those that are

in the original or "classic" IMS command syntax--the command format allowed from the IMS master terminal. Following are the general differences between IMSplex commands and classic IMS commands:

- IMSplex commands are commands that apply to the entire IMSplex. They can be entered only from the OM API.
- Some classic IMS commands are not supported by the OM API. For a list of commands supported by the OM API, see "Commands Supported by the OM API" on page 39.
- Some classic IMS commands are not recoverable. For a list of recoverable commands, see Table 4 on page 26.

In this book, IMSplex commands are found in alphabetical order in Part 2, "IMS Commands," on page 79. In this section, the IMSplex commands are those without a slash or command recognition character. For more information about the IMSplex command format, see "IMSplex Command Format" on page 22.

---

## Command Responses to OM

When an IMSplex command or IMS classic command is issued from the OM API, OM routes it to one or more IMS systems based on the command routing. Each IMS returns the command response to OM. The command responses from each IMS are grouped together by OM and returned to the caller.

For each IMS command that is issued from OM API, the response is encapsulated in XML tags. For a list of XML tags used, an explanation of the format, and meaning of the tags, see *IMS Version 9: Common Service Layer Guide and Reference*.

The IMSplex command responses to OM also include a return code, reason code, and a possible completion code. The OM return and reason codes can be found in the 'CSLOMCMD Return and Reason Codes' table in the *IMS Version 9: Common Service Layer Guide and Reference*.

When the following classic commands are issued from OM API, the DFS058I COMMAND IN PROGRESS message is not returned. Instead, the messages that result as a part of command processing are returned to OM. Following is the list of commands that do not return the DFS058I COMMAND IN PROGRESS:

- /DBDUMP DATABASE
- /DBRECOVERY AREA
- /DBRECOVERY DATABASE
- /DBRECOVERY DATAGROUP
- /LOCK DATABASE
- /START AREA
- /START DATABASE
- /START DATAGROUP
- /STOP ADS
- /STOP AREA
- /STOP DATABASE
- /STOP DATAGROUP
- /UNLOCK DATABASE
- /VUNLOAD AREA

---

## Command Responses

3 With the exception of the /DISPLAY command, /FORMAT command, and type-2  
 3 commands returned through the OM API, responses to IMS commands are prefixed  
 3 by the letters DFSnnn; nnn identifies the message. For information about the  
 3 messages, see *IMS Version 9: Messages and Codes, Volume 1*. A response to an  
 3 IMS command is an acknowledgment from IMS to the originating terminal that the  
 3 command has been received. Responses that go to the system console have an  
 3 IMS ID identifying the IMS system that issued the message. For example, the  
 3 response to /DBDUMP DATABASE MSDB would be:  
 3 DFS058I (time stamp) DBDUMP COMMAND IN PROGRESS (IMS id)

At system definition, the TIMESTAMP/NOTIMESTP. parameter of the COMM macro determines whether the time stamp is present or absent. If the time stamp feature is included, the date and time of the response appear between the response prefix and the text.

3 The DFS058 COMMAND COMPLETED/IN PROGRESS response indicates whether IMS  
 3 accepted the command. If some parameters of the command are not accepted, the  
 3 response includes the EXCEPT phrase and indicates the parameters that were not  
 3 accepted. If IMS does not have the space for all of the not-accepted parameters, it  
 3 truncates the EXCEPT phrase and terminates it with ...etc.. Commands that specify  
 3 the ALL parameter are most likely to be truncated. Truncated EXCEPT phrases on  
 3 commands are normally caused by:

- 3 • Misspelling a parameter
- 3 • Specifying an invalid parameter for the command
- 3 • Specifying the ALL parameter for resources when some of them are already in  
 3 the requested state

---

## Responses to LU 6.2 Devices

The response to a command from an LU 6.2 device is sent synchronously if the initiating conversation is not deallocated by the remote device. If the conversation is deallocated, the command response is sent asynchronously using the LUNAME of the device and a TPN of DFSCMD. The remote device must allocate separate DFSCMD conversations to receive each asynchronous message.

When the following commands are entered from LU 6.2 devices:

- /DBDUMP DATABASE
- /DBRECOVERY AREA
- /DBRECOVERY DATABASE
- /START AREA
- /START DATABASE
- /START REGION
- /STOP AREA
- /STOP DATABASE
- /STOP REGION

the DFS058 COMMAND COMPLETED message is generated instead of the DFS058 COMMAND IN PROGRESS message. If the LU 6.2 conversation is synchronous (the conversation still exists), the DFS058 COMMAND COMPLETED message is the last message the operator receives. If the LU 6.2 conversation is asynchronous (the conversation is deallocated), the order of delivery of the DFS058 message cannot be guaranteed.

---

## Sending Messages to the z/OS System Console

Each z/OS system console in the sysplex has a unique LTERM name. In an XRF environment, the real z/OS system console name is the RSE name specified in the HSB member. For a non-XRF subsystem, the real system console name is the IMS ID. The generic z/OS system console name is always "WTOR". The generic name is translated to the real LTERM name when a message is sent to the z/OS system console.

Because each z/OS system console has a unique LTERM name, a message can be sent to any z/OS system console in the sysplex if the real LTERM name (not the generic name) is used.

---

## Sending Messages to the IMS Master Terminal

Each IMS master terminal (MTO) in the sysplex has a unique LTERM name, and if they are VTAM<sup>®</sup> terminals they also have unique node names. Each IMS assigns its primary MTO the default LTERM name "DFSPMTO" as a generic name. Each secondary MTO is assigned "DFSSMTO" as the default generic name. You can override either of these default generic names during IMS system definition by using the DFSDCxxx member of IMS.PROCLIB. The generic name is translated to the real LTERM name when a message is sent to the MTO.

**Restrictions:** If you use the DFSDCxxx member to override a default generic name, you must not specify a statically-defined node name. Also, the node name you specify must have the same physical characteristics as the default node you are overriding. If you change the DFSDCxxx member, you must perform a cold start of IMS. See *IMS Version 9: Installation Volume 2: System Definition and Tailoring* for more information on this member.

In a shared-queues environment, because each MTO has a unique LTERM name, a message can be sent to any MTO in the sysplex if you use the real LTERM name (not the generic name).

---

## IMS Terminal Command Examples

Some command examples show the format of commands entered and received from an IMS terminal--entry terminal (ET), master terminal (MT), or response terminal (RT). One or more examples are given for each command. The examples show:

### Entry ET:

How the command looks as entered from the entering terminal (ET).

### Response ET:

The IMS response transmitted to the entering terminal (ET).

### Entry MT:

How the command looks as entered from the master terminal (MT).

Many IMS commands reference other terminals. Examples of these commands include:

### Response RT:







## Command Recognition Character

The slash (/) is the command recognition character for IMS commands. In a DBCTL environment, another character can be defined as the command recognition character and would replace the slash.

## Verb

The /VERB (such as /STOP) is the first command element and identifies the action to be taken. To abbreviate a verb, use only the slash and the first three characters. Enter the characters using either uppercase or lowercase letters.

## Keywords

IMS keywords are reserved words identifying IMS resources that relate to transaction management, databases, or the IMS system. Many commands require one or more keywords.

Table 14 on page 43 is a list of available keywords and their synonyms. The alphabetical list of keywords after Table 14 on page 43 explains the use of the keyword for each IMS command it affects.

**Restriction:** Keywords and their synonyms are reserved words. Do not use reserved words to name system resources such as transactions, programs, logical terminals, databases, and MFS block names.

Keywords are shown in uppercase. The keyword or an allowable synonym can be entered in uppercase or lowercase.

## Parameters

Parameters refer to installation defined or created resources, such as nodes, databases, or pterms, or IMS reserved parameters. Parameters in IMS commands must be replaced with parameter values. Reserved parameters have a unique meaning to IMS and refer to system resources or functions.

The format of the parameters that can be entered is determined by the command and keyword with which they are associated. Use the syntax example provided at the beginning of each command description in Part 2, "IMS Commands," on page 79 to determine the valid parameter formats for that command.

When commands are entered, parameters are separated from a keyword by a space or an equal sign (=). Multiple parameters are separated by a comma, a blank, or a comma followed by a blank. The last parameter of one keyword is separated from the next keyword either by a space, a comma, or an equal sign.

Default parameters appear above the syntax line. Optional parameters appear below the syntax line.

In the syntax examples, a repeat-line is shown as follows:



The repeat-line indicates that multiple parameters can be entered. To save time while entering multiple parameters for the LINE, PTERM, NODE, and LINK keywords, inclusive parameters can be specified in some commands.

**Restriction:** Use of the ALL parameter, generic parameters, or excessive use of multiple or inclusive parameters in the large terminal network can cause some of the following problems:

- “Lock out” of the operator for the duration of the command processing
- Creation of large multisegment output messages
- Command action for only part of the terminal resources intended
- Temporary storage shortages
- Artificially high storage pools within IMS, VTAM, or both

### Reserved Words

The resources you define, such as nodes, pterms, and databases, may be referenced as parameter values in IMS commands. Do not use reserved words to name these resources, or IMS may not interpret the command as expected. For example, if you define a node called TKOTRA and issue a /DISPLAY NODE TKOTRA command, IMS will list all the nodes that have an attribute of TKOTRA, instead of the specific node named TKOTRA. Appendix C, “List of Reserved Words,” on page 845 contains a table of the reserved words for IMS commands. These include all keywords, null words, attributes for various forms of the /DISPLAY command, and IMS reserved parameters OFF, MSDB, PRIMARY, NONE and ALL.

### ALL Parameter

Entering the reserved parameter ALL specifies all defined resources related to that keyword. ALL cannot be used with every command.

ALL=NO or ALL=DIS can be specified on the KEYWD macro to prevent use of the ALL parameter. ALL=NO and ALL=DIS can be specified for all keywords. ALL=NO indicates that the ALL parameter is invalid on all the commands for the keyword. ALL=DIS indicates the ALL parameter is invalid on all the /DISPLAY commands for the keyword. For more information on the KEYWD macro, see *IMS Version 9: Customization Guide*.

### Inclusive Parameters

Inclusive parameters are used to specify a group of parameters by entering only the first and last parameters of the group. Inclusive parameters can be used for the following resources:

- Line
- Link
- Static node
- PTERM

To use inclusive parameters, enter the first parameter, a hyphen, then the last parameter (parameter1-parameter2).

For the LINE, PTERM, and LINK keywords, the group of parameters specified is assumed to be based on numeric sequence; that is, entering 3-6 specifies parameters 3, 4, 5, and 6. Inclusive parameters are limited to the PTERM keyword when it appears with the LINE keyword in a command. For the NODE keyword, the group of parameters must be static and based on the IMS definition sequence, not numeric or alphabetic sequence.

### Generic Parameters

Generic parameters allow easy specification of a group of resources, whose names match the mask supplied by the generic parameter.

A generic parameter is a 1- to 8-character alphanumeric name that includes one or more special characters and an asterisk or a percent sign. An asterisk can be replaced by zero or one or more characters to create a valid resource name. A percent sign can be replaced by exactly one character to create a valid resource name.

The generic parameter is \* = ALL. However, depending on the installation, other generic parameters can mean ALL. For example, the generic parameter %%%% means ALL to an installation whose resource names are all four characters long.

When a generic parameter is used, IMS uses a serial search of all resources to match the generic name. Using a serial search of all resources can have performance implications in larger systems.

**Restriction:** If you specify ALL=NO on the KEYWD macro, you cannot use \*. However, if you specify ALL=NO on the KEYWD macro, you can use other generic parameters that are equivalent to ALL. If you are using BASIC EDIT, and you enter a command with a generic parameter containing two asterisks in a row at the end of the command, the command is discarded.

Generic parameter wildcard characters for IMSplex commands are the same as for classic commands. An asterisk (\*) in the name can be specified to replace one or more characters in the command string. A percent sign (%) replaces one character.

The commands listed in Table 2 support generic parameters for LTERM, MSNAME, NODE, TRANSACTION, USER, USERID, NAME, and PROGRAM keywords.

*Table 2. Commands and Keywords that Support Generic Parameters*

Command	Keyword Supported
/BROADCAST	LTERM, NODE, USER
/CHANGE	NODE
/CLSDST	NODE
/DISPLAY	LTERM, MSNAME, NODE, TRANSACTION, USER
/DISPLAY ASMT	LTERM, MSNAME, NODE, USER
/DISPLAY CONV	NODE, USER
/IDLE	NODE
/OPNDST	NODE
/PSTOP	LTERM, TRANSACTION
/PURGE	LTERM, MSNAME, TRANSACTION
QUERY AREA	NAME
QUERY DB	NAME
QUERY LE	LTERM, TRAN, USERID, PROGRAM
QUERY TRAN	NAME
/RSTART	NODE, USER
/START	LTERM, MSNAME, NODE, TRANSACTION, USER
/STOP	LTERM, MSNAME, NODE, TRANSACTION, USER
/TRACE	NODE
UPDATE AREA	NAME
UPDATE DB	NAME

Table 2. Commands and Keywords that Support Generic Parameters (continued)

Command	Keyword Supported
UPDATE TRAN	NAME

**Restriction:** Generic parameters are not supported in NODE, USER, or TRANSACTION CLASS combinations.

### Group Parameters

A group parameter allows easy specification of a group of resources, where the resources in the group are defined and managed by the installation. Group parameters are supported with the DATAGROUP keyword for the /DBRECOVERY, /START, /STOP, and UPDATE (type-2) commands. A group name is 1 to 8 characters long. It is associated with a list of databases, DEDB areas, or database data sets.

A database group name and its associated databases or DEDB areas is defined in the DBRC RECON data set using the DBRC INIT.DBDSGRP command with parameters GRPNAME and DBGRP.

A database data set (DBDS) group name and its associated DBDSs is defined in the DBRC RECON data set using the DBRC INIT.DBDSGRP command with parameters GRPNAME and MEMBERS.

- Adding resources to a group
  - Use the CHANGE.DBDSGRP command with the GRPNAME and ADDDB parameters to add databases or areas to a database group.
  - Use the CHANGE.DBDSGRP command with the GRPNAME and ADDMEM parameters to add DBDSs to a DBDS group.
- Deleting resources from a group
  - Use the CHANGE.DBDSGRP command with the GRPNAME and DELDB parameters to delete databases or areas from a database group.
  - Use the CHANGE.DBDSGRP command with the GRPNAME and DELMEM parameters to delete DBDSs from a DBDS group.
- Displaying resources in a group
  - Use the LIST.DBDSGRP command or the online /RMLIST command to display the databases or areas in a database group, or the DBDSs in a DBDS group.

Groups defined for commands should contain only databases and areas for use with the DATAGROUP keyword.

### Null Keywords

Null keywords are used to help clarify the syntax of the command being entered but have no effect on the command. Null keywords can be used within IMS commands at any time. However, they cannot be used with type-2 commands. Null keywords are reserved words. Do not use them to name system resources. The following are IMS null keywords:

- AFTER
- FOR
- ON
- SECURITY
- TO

## Comments

You can add comments or notes to the end of a command. When you add comments, identify the end of the command by entering a period after the last parameter. If you do not enter a period, residual data from a 3270 affects command processing.

### 3 Passwords

3 Depending on the password security arrangement of the defined IMS system and  
3 the terminal where the command is entered, a password can be required after the  
3 command verb, or after a parameter or a keyword of certain commands.

3 If a command password is required, it must be entered immediately after /VERB and  
3 is normally enclosed in parentheses. No spaces or intervening characters are  
3 allowed between the /VERB and the left parenthesis.

3 When using MFS, if a command password is required, the installation-defined MFS  
3 format must contain a defined password field. The password must be entered into  
3 the password field defined by the format displayed. If command entry field of the  
3 format is defined to accept the command verb only, message DFS1051 is issued  
3 when an attempt is made to enter /VERB(password).

3 None of the IMS-supplied default formats (exception for the master terminal format)  
3 have a password field defined.

3 If a command is issued from a static terminal, you must use either the Security  
3 Maintenance utility, RACF, or an equivalent security product to require a command  
3 verb password. If a command is issued from a dynamic terminal, you must use  
3 RACF or an equivalent security product to require a command verb password  
3 associated with the user ID signed on to the dynamic terminal.

3 The /IAM, /LOCK, and /UNLOCK command keywords and parameters support  
3 passwords. Keyword and parameter passwords are defined through the security  
3 maintenance utility and only apply to static terminals. Keyword and parameter  
3 passwords entered with a command on a dynamic terminal are ignored. Keyword  
3 and parameter passwords entered with a command are also ignored when the  
3 security maintenance utility is not used or the resource is not defined with password  
3 security. This is also true for the /SET TRANSACTION and /SET CONVERSATION  
3 commands.

3 The use of passwords is not shown in the examples.

---

## Command Processing in an IMSplex

In an IMSplex environment, IMS commands issued through OM can behave differently than when those same commands are issued to an individual IMS subsystem. IMSplex commands can be issued only through the OM API. Classic IMS commands can be issued through the OM API or to individual IMSs through end-user terminals, master terminals, system consoles, or AOI applications. The following sections describe some of the behavioral differences.

## Command Routing

Commands that are issued to OM are, by default, routed to all the IMSplex components that are active and have registered interest in processing those

commands. If you want to route a command to one or more specific IMSs in the IMSplex, use the ROUTE() parameter on the command request.

3 OM selects one IMSplex member (that is, IMS or RM) that is registered for the  
3 command to be the command master for each command from the OM API. The  
3 command master performs global command actions where applicable. An XRF  
3 alternate system is not a command master candidate until it takes over.

3 IMSplex command responses may differ depending on which IMSplex member was  
3 the command master. For example, for a QUERY TRAN NAME(traname) QCNT (GT 1)  
3 SHOW(ALL) command, only the command master returns the global queue counts,  
3 unless it does not have access to the Shared Queues (for example, the command  
3 master is local queues enabled).

## Command Behavior and the Resource Manager

Depending on whether an IMSplex is defined with a Resource Manager (and there is a resource structure available to RM), command behavior can be affected. When a resource structure is not defined, resource status must be maintained on local IMSs in the IMSplex. In this case, commands have only a local effect.

If RM is defined with a resource structure in the IMSplex, RM maintains global resource information, including resource status. So, in this scenario, resource status is maintained both globally and locally. Usually, if a user signs off or a client shuts down, resources status is maintained globally but deleted locally.

3 If the DISABLE RESOURCE SHARING FOR STATIC ISC option is set, the  
3 command status for static ISC resources is always considered local as if there were  
3 no resource structure. Commands processed for a static ISC node or subpool only  
3 modify local status. Status is not updated in the resource structure. The purpose of  
3 the option is to remove the unique name restriction for static ISC-related resources  
3 so that static ISC LTERM and subpool names can be active multiple times  
3 concurrently in an IMSplex. For information about this option, see the Initialization  
3 exit routine, DFSINTX0, in the *IMS Version 9: Customization Guide*.

Another behavior that is worth noting is how command processing clients process classic commands (related to nodes, LTERMS, and users) that are routed to the entire IMSplex. In general, OM chooses one of the command processing clients in the IMSplex to be the “master” to coordinate the processing of the classic commands. Whether the master (or a non-master) client will process a classic command depends on where the command resource status is kept. If the command resource status is kept in a resource structure, the classic command will usually be processed by a non-master client where the command resource is active. If the command resource is not active on any of the command processing clients in the IMSplex, OM will still route the classic command to all clients in the IMSplex, but only the master client will process the command. If the classic command is being routed to all the clients in the IMSplex, command processing clients where the command resource is not active will reject the classic command.

---

## IMSplex Command Format

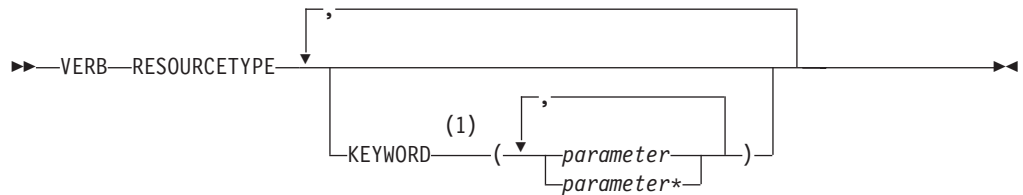
IMSplex commands use a different format from the format used by IMS classic commands. IMSplex commands can be issued only through the Operations Manager (OM) APIs by an automated operations program (AOP). An example of an AOP is the IBM-supplied TSO single point of control (SPOC) application. These commands cannot be entered from the system console, the MTO, an end-user

terminal, or an IMS AOI application program. IMSplex commands are not passed to the IMS AOI user exits and are also not logged to the IMS secondary master.

Almost all commands issued through the OM API (including the IMS classic commands) do not require a command recognition character (for example, a slash). If one is supplied, the OM API will ignore it. The only exception to this rule is the classic /EXIT command, which requires a slash when entered from a SPOC application.

**Recommendation:** IBM recommends against using command recognition characters for commands issued through the OM API (except for the /EXIT command).

The command format with common keywords is as follows:



**Notes:**

- 1 For some commands, KEYWORD is required, not optional.

The following is a list of the parameters with a short description of each.

**VERB** Identifies the action to be taken. The command verb can be abbreviated.

**RESOURCE TYPE**

Identifies the type of resource the command acts upon. The following is a list of the resource types:

- 2 **AREA** An area resource in an IMS.
- 3 **DATAGRP**
- 3 The members of a data group in an IMS.
- 3 **DB** The database in an IMSplex.
- 3 **IMSPLEX**
- 3 A group of IMSs, CSL (SCI, OM, RM) members and CQs.
- LE** Language Environment runtime parameter overrides.
- MEMBER**
- An IMSplex component (For example, an IMS, OM, RM, or SCI).
- OLC** An online change process.
- 3 **OLREORG**
- 3 An online reorganization of a HALDB partition
- STRUCTURE**
- A resource structure managed by RM.
- 3 **TRANS**
- 3 An IMS resource that is a message destination.

**KEYWORD()**

Optional command elements, depending upon the specific command.



*parameter*

Identifies an IMS-defined value or an installation-defined or created resource. The *parameter* can end with a wildcard (an asterisk - \*). Parameters are listed in parentheses and must be replaced with parameter values. Multiple parameters are separated by a comma.

## Command Characteristics

Command characteristics and operations (the way commands actually work) are affected by terminal security defaults, command recoverability, and whether commands are logged to the secondary master terminal, supported from an AOI application, mirrored on the XRF alternate, supported from the XRF alternate, and supported from LU 6.2 devices.

## Terminal Security Defaults

The master terminal and remote terminal security defaults for IMS commands are described in Table 3.

*Table 3. Terminal Security Defaults for IMS Commands*

<b>Master Terminal</b>	<b>Remote Terminal</b>
/ACTIVATE	
/ALLOCATE	
/ASSIGN	
/BROADCAST	/BROADCAST
/CANCEL	/CANCEL
/CHANGE	
/CHECKPOINT	
/CLSDST	
/COMPT	
/CQCHKPT	
/CQQUERY	
/CQSET	
/DBDUMP	
/DBRECOVERY	
/DELETE	
/DEQUEUE	
/DIAGNOSE	/DIAGNOSE
/DISPLAY	
/END	/END
/ERESTART	
/EXCLUSIVE	/EXCLUSIVE
/EXIT	/EXIT
/FORMAT	/FORMAT
/HOLD	/HOLD
	/IAM
/IDLE	

2



Table 3. Terminal Security Defaults for IMS Commands (continued)

	Master Terminal	Remote Terminal
3	/INITIATE	
	/LOCK	/LOCK
	/LOG	/LOG
	/LOOPTEST	/LOOPTEST
	/MODIFY	
	/MONITOR	
	/MSASSIGN	
	/MSVERIFY	
	/NRESTART	
	/OPNDST	
	/PSTOP	
	/PURGE	
	/QUIESCE	
	/RCLSDST	/RCLSDST
		/RCOMPT
	/RDISPLAY	/RDISPLAY
	/RECOVER	
	/RELEASE	/RELEASE
	/RESET	/RESET
	/RMxxxxxx	/RMLIST
	/RSTART	
	/RTAKEOVER	
	/SECURE	
	/SET	/SET
	/SIGN	/SIGN
	/SMCOPY	
	/SSR	
	/START	
	/STOP	
	/SWITCH	
3	/TERMINATE	
	/TEST	/TEST
	/TRACE	
	/UNLOCK	/UNLOCK
3	/UPDATE	
	/UNLOAD	

## Commands Recovered During Emergency Restart

Certain commands that successfully alter IMS resources are written to the system log as X'02' or X'22' log records and are reprocessed during emergency restart. IMS classic commands that are recovered during emergency restart write an X'02' log record. IMSplex commands that are recovered during emergency restart write an X'22' log record. Table 4 lists the commands, along with the exceptions, that are recovered during emergency restart.

Table 4. Commands Recovered During Emergency Restart

Command	Exceptions
/ASSIGN	
/CHANGE	/CHANGE DESCRIPTOR
/DELETE	
/END	
/EXCLUSIVE	
/EXIT	
/HOLD	
/LOCK	/LOCK LTERM, /LOCK NODE, /LOCK PTERM
/LOG	
/MONITOR	
/MSASSIGN	
/PSTOP	/PSTOP LTERM
/PURGE	/PURGE APPC, /PURGE LTERM
/RELEASE	
/RSTART	
/SET	/SET LTERM, /SET TRAN
/SMCOPY	
/START	/START APPC, /START ISOLOG, /START TRKAUTOARCH, /START PROG
/STOP	/STOP APPC
/TEST MFS	/TEST LINE, /TEST NODE, /TEST USER
/UNLOCK	/UNLOCK LTERM, /UNLOCK NODE, /UNLOCK PTERM, /UNLOCK SYSTEM
UPDATE TRAN	UPDATE TRAN START(TRACE), UPDATE TRAN STOP(TRACE)

**Restriction:** If an IMS outage (abend, modify, or cancel of IMS) occurs immediately after a command is entered, the command status might not be carried across an emergency restart or XRF takeover.

The command log records are logged asynchronously (no check write or wait write). If there is no other IMS activity that forces the log buffer to be written to the OLDS or WADS data set, the status set by the command, for restart purposes, did not occur.

There are many events in IMS where log records are check-written to the log. Any one of these events subsequent to the command causes the command log record to be written to the OLDS or WADS data set.

---

## Commands Logged to the Secondary Master Terminal

The secondary master terminal provides a hardcopy log of system activity, including checkpoint information and error messages. If the hardcopy logging facility has been selected and not disabled (using the /SMCOPY command), certain IMS commands and responses are logged on the secondary master terminal.

You can select whether only commands issued from the master terminal are logged, only commands entered from other terminals are logged, or both are logged. Only the commands listed in Table 5 are logged to the secondary master terminal.

For more information on logging to the secondary master terminal, see *IMS Version 9: Operations Guide*.

Table 5. Commands Logged to the Secondary Master Terminal

	Commands	Commands (continued)
	/ACTIVATE	/PURGE
	/ALLOCATE	/QUIESCE
	/ASSIGN	/RCLSDST
	/CHECKPOINT	/RCOMPT
	/CLSDST	/RECOVER
	/COMPT	/RMCHANGE
	/CQCHKPT	/RMDELETE
	/CQQUERY	/RMGENJCL
	/CQSET	/RMINIT
	/DBDUMP	/RMLIST
	/DBRECOVERY	/RMNOTIFY
	/DELETE	/RSTART
2	/DEQUEUE	/RTAKEOVER
	/DIAGNOSE	/SECURE
	/DISPLAY	/START
	/IDLE	/STOP
3	/INITIATE OLREORG	/SWITCH
3	/MODIFY	/TERMINATE OLREORG
	/MONITOR	/TRACE
3	/MSASSIGN	/UPDATE OLREORG
	/OPNDST	/UNLOCK SYSTEM
	/PSTOP	/UNLOAD

---

## Commands Supported from an AO Application

*Automated operator (AO) applications* are application programs that issue IMS operator commands using DL/I calls. AO applications can use two different DL/I calls to issue commands: CMD and ICMD. This section lists which IMS commands can be issued using each of these calls and describes command security for AO applications.

AO applications using the CMD call use the Security Maintenance utility for security. AO applications using the ICMD call use RACF (or the equivalent) or the Command Authorization user exit DFSCCMD0 for security.

For an overview of AO applications, see *IMS Version 9: Operations Guide*. For more detailed information about securing AO applications, see *IMS Version 9: Administration Guide: System*.

3 The Control Center, TSO SPOC, and REXX SPOC API are considered automated  
 3 operator programs, which are different from AO applications. The automated  
 3 operator programs do not issue commands through DL/I calls. For more information  
 3 on these environments, see *IMS Version 9: Common Service Layer Guide and*  
 3 *Reference*.

## Using CMD Call

2 If you are using the CMD call to issue IMS commands, transactions can be defined  
 2 as AO applications by the Security Maintenance utility or with AOI= on the  
 2 TRANSACT system definition macro. AO transactions are invoked in the same way  
 2 any IMS transaction is invoked. AO transactions run as IMS applications with the  
 2 authority to issue a planned series of IMS commands. For example, an AO  
 2 application can be called in by an AO transaction after a normal restart of IMS to  
 2 start IMS resources. The AO application would consist of those commands regularly  
 2 used by the master terminal operator (MTO) after IMS is active. Fast Path exclusive  
 2 transactions cannot be defined as AO transactions.

2 When the Security Maintenance utility is used for Type 1 AOI security, the utility  
 2 defines which transactions can issue commands, and which commands are allowed  
 2 for each authorized transaction. However, when RACF (or an equivalent product) is  
 2 used for Type 1 AOI security, the AOI= parameter on the TRANSACT macro defines  
 2 which transactions can issue commands. RACF (or an equivalent product) defines  
 2 which commands are allowed for each authorized transaction. These definitions in  
 2 RACF give control to the authorized user who entered the transaction or to the  
 2 transaction name itself. The AOI= parameter on the TRANSACT macro contains the  
 2 controlling specification.

Table 6 shows the IMS commands that can be issued in an AO application using the CMD call. The table includes the IMS Command, the restrictions, and the application environment (MPP or BMP running under DB/DC or MPP or BMP running under DCCTL).

Table 6. Commands Supported from an AO Application Using CMD

IMS Command	Restrictions	Application Environment	
		MPP or BMP Running Under DB/DC	MPP or BMP Running Under DCCTL
/ACTIVATE		Yes	Yes
/ALLOCATE		Yes	Yes
/ASSIGN		Yes	Yes
/BROADCAST		Yes	Yes
/CHANGE		Yes	Yes
/CHECKPOINT	simple form (no keywords), SNAPQ, or STATISTICS	Yes	Yes
/CLSDST		Yes	Yes
/COMPT		Yes	Yes
/CQCHKPT		Yes	Yes

Table 6. Commands Supported from an AO Application Using CMD (continued)

IMS Command	Restrictions	Application Environment	
		MPP or BMP Running Under DB/DC	MPP or BMP Running Under DCCTL
/CQQUERY		Yes	Yes
/CQSET		Yes	Yes
/DBDUMP		Yes	Yes
/DBRECOVERY		Yes	Yes
/DELETE		Yes	Yes
/DEQUEUE		Yes	Yes
/DIAGNOSE		Yes	Yes
/DISPLAY		Yes	Yes
/END	with keywords	Yes	Yes
/EXCLUSIVE	with keywords	Yes	Yes
/EXIT	with LINE and NODE keywords	Yes	Yes
/FORMAT	with LTERM keyword	Yes	Yes
/IDLE		Yes	Yes
/INITIATE	OLREORG	Yes	No
/LOCK	without LTERM, NODE, or PTERM keywords	Yes	Yes
/LOG		Yes	Yes
/LOOPTEST		Yes	Yes
/MONITOR		Yes	Yes
/MSASSIGN		Yes	Yes
/OPNDST		Yes	Yes
/PSTOP		Yes	Yes
/PURGE		Yes	Yes
/QUIESCE		Yes	Yes
/RDISPLAY		Yes	Yes
/RECOVER		Yes	No
/RMCHANGE		Yes	Yes
/RMDELETE		Yes	Yes
/RMGENJCL		Yes	Yes
/RMINIT		Yes	Yes
/RMLIST		Yes	Yes
/RMNOTIFY		Yes	Yes
/RSTART		Yes	Yes
/SECURE		Yes	Yes
/SMCOPY		Yes	Yes
/SSR		Yes	Yes

2

3

Table 6. Commands Supported from an AO Application Using CMD (continued)

IMS Command	Restrictions	Application Environment	
		MPP or BMP Running Under DB/DC	MPP or BMP Running Under DCCTL
/START		Yes	Yes
/STOP		Yes	Yes
/SWITCH		Yes	Yes
3 /TERMINATE	OLREORG	Yes	No
/TEST MFS	with LINE/NODE keywords	Yes	Yes
/TRACE		Yes	Yes
/UNLOCK	without LTERM, NODE, PTERM, or SYSTEM keywords	Yes	Yes
3 /UPDATE	OLREORG	Yes	No
/UNLOAD		Yes	No

If the 3270 message facility service (MFS) bypass option is selected, the output message specified is MODNAME=DFSEDTN, and the terminal is in preset mode, then the only command recognized by IMS is the /RESET command issued from an unformatted screen. All other commands are passed to the application program.

## Using ICMD Call

Table 7 shows by application program type the commands that can be issued in an AO application using the ICMD call. This includes DRA thread running under DBCTL or DB/DC; BMP running under DBCTL; MPP, BMP, IFP running under DB/DC; and MPP, BMP, or IFP running under DCCTL. Commands that cause the IMS control region to terminate, such as /CHE FREEZE, cannot be issued.

3 You can secure the commands issued by an ICMD call using RACF (or the  
 3 equivalent) or the Command Authorization user exit DFSCCMD0. RACF lets you  
 3 specify which commands the applications can issue. DFSCCMD0 and RACF let you  
 3 do authorization checking during ICMD processing. The authorization checking can  
 3 be controlled either through the transaction name or the command name which is  
 3 determined by the authorized user who entered the transactions. The AOI=  
 3 parameter on the TRANSACT macro allows you to specify which authorization  
 3 checking is to be used.

Table 7. Commands Supported from an AO Application Using ICMD

IMS Command	Application Environment			
	DBRA Thread Running Under DBCTL or DB/DC	BMP Running Under DBCTL	MPP, BMP, or IFP Running Under DB/DC	MPP, BMP, or IFP Running Under DCCTL
/ACTIVATE	N/A	N/A	Yes	Yes
/ALLOCATE	N/A	N/A	Yes	Yes
/ASSIGN	N/A	N/A	Yes	Yes
/BROADCAST	N/A	N/A	Yes	Yes

Table 7. Commands Supported from an AO Application Using ICMD (continued)

IMS Command	Application Environment			
	DBRA Thread Running Under DBCTL or DB/DC	BMP Running Under DBCTL	MPP, BMP, or IFP Running Under DB/DC	MPP, BMP, or IFP Running Under DCCTL
/CANCEL	N/A	N/A	No	No
/CHANGE	Yes	Yes	Yes	Yes
/CHECKPOINT (simple form)	Yes	Yes	Yes	Yes
/CHECKPOINT SNAPQ	N/A	N/A	Yes	Yes
/CHECKPOINT STATISTICS	Yes	Yes	Yes	Yes
/CLSDST	N/A	N/A	Yes	Yes
/COMPT	N/A	N/A	Yes	Yes
/CQCHKPT	N/A	N/A	Yes	Yes
/CQQUERY	N/A	N/A	Yes	Yes
/CQSET	N/A	N/A	Yes	Yes
/DBDUMP	Yes	Yes	Yes	N/A
/DBRECOVERY	Yes	Yes	Yes	N/A
/DELETE	Yes	Yes	Yes	Yes
/DEQUEUE	Yes	Yes	Yes	Yes
/DIAGNOSE	Yes	Yes	Yes	Yes
/DISPLAY	Yes	Yes	Yes	Yes
/END	N/A	N/A	Yes	Yes
/ERESTART	No	No	No	No
/EXCLUSIVE	N/A	N/A	Yes	Yes
/EXIT	N/A	N/A	Yes	Yes
/FORMAT	N/A	N/A	Yes	Yes
/HOLD	N/A	N/A	No	No
/IAM	N/A	N/A	No	No
/IDLE	N/A	N/A	Yes	Yes
/INITIATE	Yes	Yes	Yes	No
/LOCK DATABASE	Yes	Yes	Yes	N/A
/LOCK PROGRAM	Yes	Yes	Yes	Yes
/LOCK TRANSACTION	N/A	N/A	Yes	Yes
/LOG	Yes	Yes	Yes	Yes
/LOOPTEST	N/A	N/A	Yes	Yes
/MODIFY	No	No	No	No
/MONITOR	N/A	N/A	Yes	Yes
/MSASSIGN	N/A	N/A	Yes	Yes

2

3

Table 7. Commands Supported from an AO Application Using ICMD (continued)

IMS Command	Application Environment			
	DBRA Thread Running Under DBCTL or DB/DC	BMP Running Under DBCTL	MPP, BMP, or IFP Running Under DB/DC	MPP, BMP, or IFP Running Under DCCTL
/MSVERIFY	N/A	N/A	No	No
/NRESTART	No	No	No	No
/OPNDST	N/A	N/A	Yes	Yes
/PSTOP	Yes	Yes	Yes	Yes
/PURGE	N/A	N/A	Yes	Yes
/QUIESCE	N/A	N/A	Yes	Yes
/RCLSDST	N/A	N/A	No	No
/RCOMPT	N/A	N/A	No	No
/RDISPLAY	N/A	N/A	Yes	Yes
/RECOVER	Yes	Yes	Yes	No
/RELEASE	N/A	N/A	No	No
/RESET	N/A	N/A	No	No
/RMCHANGE	Yes	Yes	Yes	Yes
/RMDELETE	Yes	Yes	Yes	Yes
/RMGENJCL	Yes	Yes	Yes	Yes
/RMINIT	Yes	Yes	Yes	Yes
/RMLIST	Yes	Yes	Yes	Yes
/RMNOTIFY	Yes	Yes	Yes	Yes
/RSTART	N/A	N/A	Yes	Yes
/RTAKEOVER	No	No	No	No
/SECURE	N/A	N/A	Yes	Yes
/SET	N/A	N/A	No	No
/SIGN	N/A	N/A	No	No
/SMCOPY	N/A	N/A	Yes	Yes
/SSR	No	Yes	Yes	Yes
/START	Yes	Yes	Yes	Yes
/STOP	Yes	Yes	Yes	Yes
/SWITCH	Yes	Yes	Yes	Yes
/TERMINATE	Yes	Yes	Yes	No
/TEST MFS LINE or NODE or USER	N/A	N/A	Yes	Yes
/TRACE	Yes	Yes	Yes	Yes
/UNLOCK DATABASE	Yes	Yes	Yes	N/A
/UNLOCK PROGRAM	Yes	Yes	Yes	Yes

3



Table 7. Commands Supported from an AO Application Using ICMD (continued)

IMS Command	Application Environment			
	DBRA Thread Running Under DBCTL or DB/DC	BMP Running Under DBCTL	MPP, BMP, or IFP Running Under DB/DC	MPP, BMP, or IFP Running Under DCCTL
/UNLOCK TRANSACTION	N/A	N/A	Yes	Yes
/UPDATE	Yes	Yes	Yes	No
/UNLOAD	Yes	Yes	Yes	N/A

3

The following commands and keywords are not permitted:

- /CHECKPOINT keywords ABDUMP, DUMPQ, FREEZE, PURGE, and QUIESCE
- The commands /END, /EXIT, and /EXCLUSIVE if they have no keywords
- /LOCK keywords LTERM, NODE, and PTERM
- /UNLOCK keywords LTERM, NODE, PTERM, and SYSTEM

## Command Security When Using OM

For IMS command security, you have your choice of OM command security using RACF or equivalent, or IMS command security.

**Recommendation:** Use OM command security instead of IMS security.

By allowing OM to perform the security checks, commands which fail security authorization are not routed to IMS, reducing processing overhead and network traffic. When IMS command security is used, it is up to the user to ensure that all IMS systems use the same security profiles or user exits. If IMS systems in the same IMSplex use different security rules, the results of command security checking may be unpredictable. For more information about the IMS command verbs and keywords, resource names, and authorizations that are used for RACF security checking, see Appendix I, "IMS Commands, RACF Access Authorities and Resource Names Table," on page 869.

## Commands Mirrored on an XRF Alternate

Certain commands that successfully alter IMS resources are written to the system log as X'02' or X'22' log records. IMS classic commands that alter resources write an X'02' log record. IMSplex commands that alter resources write an X'22' log record. In an XRF environment, the X'02' or X'22' log records are read and processed by the alternate system as it tracks the active system. The effect of these commands is mirrored on the alternate system when it takes over and becomes the active system. These commands, along with exceptions, are listed in Table 8.

Table 8. List of IMS Commands Mirrored on an XRF Alternate

Command	Exceptions
/ASSIGN	/ASSIGN is mirrored only if the assignment does not involve the master terminal.
/CHANGE	
/DELETE	

Table 8. List of IMS Commands Mirrored on an XRF Alternate (continued)

Command	Exceptions
/END	
/EXCLUSIVE	
/EXIT	
/HOLD	
/LOCK	
/LOG	
/MONITOR	
/MSASSIGN	
/PSTOP	/PSTOP REGION
/PURGE	/PURGE APPC
/RELEASE	
/RESET	
/RSTART	
/SECURE	/SECURE APPC
/SET	
/SMCOPY	
/START	/START APPC, /START REGION
/STOP	/STOP APPC, /STOP REGION
/TEST	/TEST is usually not mirrored on an XRF alternate system. However, /TEST MFS is mirrored if the alternate system is tracking the state of the terminal that entered the /TEST MFS command.
/TRACE	/TRACE is usually not mirrored on an XRF alternate system. However, /TRACE SET LINE and /TRACE SET LINK are mirrored for lines and links that can be restarted. /TRACE SET NODE is mirrored for all node types.
/UNLOCK	/UNLOCK SYSTEM
UPDATE TRAN	UPDATE TRAN START(TRACE), UPDATE TRAN STOP(TRACE)

## Commands Supported on the XRF Alternate

The commands that are valid on the XRF alternate, along with the exceptions, are shown in Table 9.

Table 9. List of Commands Supported on the XRF Alternate

Command	Exceptions
/ACTIVATE	
/CANCEL	
/CHANGE	
/CLSDST	
/COMPT	
/DISPLAY	/DISPLAY QCNT

Table 9. List of Commands Supported on the XRF Alternate (continued)

Command	Exceptions
/END	
/ERESTART	
/FORMAT	
/IDLE	
/NRESTART	
/OPNDST	
/PSTOP REGION	
2 QUERY AREA	
2 QUERY DB	
2 QUERY IMSPLEX	
2 QUERY MEMBER	
QUERY TRAN	
/RCLSDST	
/RCOMPT	
/RDISPLAY	
/RMLIST	
/SECURE	
/SMCOPY	
/START DC	
/START LUNAME	
/START REGION	
/START RTCODE	
/START SURVEILLANCE	
/STOP	
/STOP BACKUP	
/STOP DC	
/STOP LUNAME	
/STOP REGION	
/STOP RTCODE	
/STOP SURVEILLANCE	
/SWITCH	
/TEST	
/TRACE	
UPDATE TRAN	
SET(MAXRGN)	
UPDATE TRAN	
START STOP(TRACE)	

## Commands and Keywords Supported on an RSR Tracking Subsystem

Only commands and keywords required to manage RSR tracking are supported on an RSR tracking subsystem. For example, commands and keywords relating to transactions are not supported, because transactions are not allowed on a tracking subsystem. See Table 10 for the commands and keywords supported on an IMS DB/DC tracking subsystem. The subset of commands and keywords relating to databases are the only ones allowable on a DBCTL tracking subsystem.

Commands entered on an IMS tracking subsystem that are not supported on a tracking subsystem result in message

```
DFS136I COMMAND xxxxxxxxxxxx INVALID FOR TRACKER
```

Commands entered on a DCCTL tracking subsystem that are not supported on the tracking subsystem or on DCCTL result in message

```
DFS136I COMMAND xxxxxxxxxxxx INVALID FOR DCCTL
```

Keywords entered on an IMS tracking subsystem that are not supported on a tracking subsystem result in message

```
DFS110 COMMAND KEYWORD yyyyyyyyyyyy INVALID FOR TRACKER
```

Keywords entered on a DBCTL or DCCTL tracking subsystem that are not supported on a tracking subsystem or with DBCTL or DCCTL result in message

```
DFS110 KEYWORD yyyyyyyyyyyy INVALID FOR DBCTL|DCCTL
```

Table 10 below lists the commands and keywords that are allowed on an IMS DB/DC RSR tracking. The table also includes comments.

Table 10. Commands and Keywords Allowable on an IMS DB/DC RSR Tracking Subsystem

Commands	Keywords	Comments
/ACTIVATE	NODE	
/ASSIGN	COMPONENT, ICOMPONENT, LINE, LTERM, NODE, PTERM, USER	
/BROADCAST	ACTIVE, LINE, LTERM, NODE, PTERM, USER	BTAM lines are not supported.
/CANCEL		
/CHECKPOINT	ABDUMP, DUMPQ, FREEZE, SNAPQ, STATISTICS	Simple checkpoint (that is, with no keywords) is also supported.
/CLSDST	NODE, USER	
/COMPT	CNS, CRD, NODE, NOTRDY, PCH, PDS, PRT, RDR, READY, TDS, UDS, USER, VID, WPM1, WPM2, WPM3	
/DBRECOVERY	AREA, DATABASE, DATAGROUP, LOCAL, NOFEOV	Command only valid for a DATABASE level tracking system. Keywords only valid for areas and databases tracked at the DATABASE level.
/DEQUEUE	LINE, LTERM, NODE, PTERM, PURGE, PURGE1, USER	
I /DIAGNOSE	BLOCK, MODE, SNAP, TRAN	

Table 10. Commands and Keywords Allowable on an IMS DB/DC RSR Tracking Subsystem (continued)

Commands	Keywords	Comments
/DISPLAY	ACTIVE, AREA, ASSIGNMENT, DATABASE, DBD, DC, LINE, LTERM, MODE, MODIFY, MONITOR, NODE, OLDS, POOL, PTERM, SHUTDOWN STATUS, TRACE, TRACKING STATUS, USER, XTRC	<ul style="list-style-type: none"> <li>For /DISPLAY POOL ALL, only pools needed on the tracking subsystem are displayed.</li> <li>For /DISPLAY POOL pool, some parameters are not supported.</li> <li>For /DISPLAY STATUS with no keywords, only resources needed on a tracking subsystem are displayed.</li> <li>For /DISPLAY TRACE ALL, only resources needed on a tracking subsystem are displayed.</li> </ul>
/END	LINE, NODE, PTERM, USER	
/ERESTART	BUILDQ, CHECKPOINT, COLDBASE, COLDCOMM, COLDSYS, FORMAT, NOPASSWORD, NOTERMINAL, NOUSER, OVERRIDE, PASSWORD, TERMINAL, USER	
/FORMAT	LTERM	
/IDLE	LINE, NODE, NOSHUT	
/LOG		
/MODIFY	ABORT, COMMIT, LTERM, PASSWORD, PREPARE, TERMINAL	The following parameters are supported: ACBLIB, BLDL, FMTLIB, MODBLKS, and RACF.
/NRESTART	BUILDQ, CHECKPOINT, FORMAT, NOBUILDQ, NOPASSWORD, NOTERMINAL, NOUSER, PASSWORD, TERMINAL, USER	
/OPNDST	ID, LOGOND, MODE, NODE, Q, UDATA, USER, USERD	
/PSTOP	LINE, LTERM, PTERM	BTAM lines are not supported.
/PURGE	LINE, LTERM, PTERM	BTAM lines are not supported.
2 QUERY	AREA, DB, MEMBER	
/RCLSDST		
/RCOMPT	CNS, CRD, NODE, NOTRDY, PCH, PDS, PRT, RDR, READY, TDS, UDS, USER, VID, WPM1, WPM2, WPM3	
/RDISPLAY		
/RMxxxxx	LTERM	Only applies to tracking subsystem RECON data set.
/RSTART	LINE, LOPEN, NODE, PTERM, USER	BTAM lines are not supported.
/RTAKEOVER	UNPLAN, NOREVERSE	
/SIGN	ON, USERD	
/SMCOPY	ON, TERMINAL	

Table 10. Commands and Keywords Allowable on an IMS DB/DC RSR Tracking Subsystem (continued)

Commands	Keywords	Comments
/START	AREA, AUTOARCH, DATABASE, DATAGROUP, DC, ISOLOG, LINE, LOCAL, LTERM, NODE, OLDS, PTERM, SERVGRP, USER, WADS	/START AREA, /START DATABASE, and /START DATAGROUP are only valid on a DATABASE level tracking subsystem. BTAM lines are not supported.
/STOP	ADS, AUTOARCH, DC, LINE, LTERM, NODE, OLDS, PTERM, SERVGRP, TRKAUTOARCH, USER, WADS	BTAM lines are not supported.
/SWITCH	CHECHPOINT, OLDS	
/TEST MFS	LINE, NODE, PTERM, USER	
/TRACE	LEVEL, LINE, MODULE,NODE, ON, OPTION, SET, TABLE, UNITYPE, USER, VOLUME	No LUMI, RETR, SCHD, or SUBS TABLE tracing is allowed on a tracking subsystem.
2 UPDATE AREA	START(Access), STOP(Access)	
2 UPDATE DATAGRP	START(Access), STOP(Access)	
2 UPDATE DB	START(Access), STOP(Access)	

## BTAM Terminals in an RSR Environment

Since BTAM terminals are not supported for an RSR tracking subsystem, the following commands are not supported on an RSR tracking subsystem (that is, they will cause a DFS058 COMMAND COMPLETED EXCEPT ... message to be issued):

- /BROADCAST LINE
- /BROADCAST PTERM
- /PSTOP LINE [PTERM]
- /PURGE LINE [PTERM]
- /RSTART LINE [PTERM]
- /START LINE [PTERM]
- /STOP LINE [PTERM]

If the parameter ALL is used with one of these commands, the BTAM terminals affected are simply skipped.

## Commands Supported from LU 6.2 Devices and OTMA

Only certain commands are valid from LU 6.2 devices and OTMA. The commands that are supported from LU 6.2 devices and OTMA are listed in Table 11.

Table 11. Commands Supported from LU 6.2 Devices and OTMA

Commands	Commands (continued)
/ALLOCATE*	/OPNDST*
/ASSIGN	/PSTOP
/BROADCAST*	/PURGE

Table 11. Commands Supported from LU 6.2 Devices and OTMA (continued)

Commands	Commands (continued)
/CHANGE*	/QUIESCE
/CHECKPOINT	/RDISPLAY
/CLSDST	/RMCHANGE*
/COMPT	/RMDELETE*
/DBDUMP	/RMGENJCL*
/DBRECOVERY	/RMINIT*
/DELETE	/RMLIST*
/DEQUEUE	/RMNOTIFY*
2 /DIAGNOSE	/RSTART
/DISPLAY	/SECURE
/ERESTART*	/SMCOPY
/IDLE	/SSR
/INITIATE OLREORG	/START
/LOG	/STOP
/MODIFY	/SWITCH
3 /MONITOR	/TERMINATE OLREORG
/MSASSIGN	/TRACE
3 /MSVERIFY	/UPDATE OLREORG
/NRESTART	

**Note:** \* Multisegment commands are not supported by OTMA.

## Terminal Security Defaults for LU 6.2 Devices and OTMA

Table 12 shows the terminal security defaults for IMS commands from LU 6.2 devices and OTMA when RACF is not used (RACF=NONE) and the command security exit (DFSCCMD0) is also not used. Only the commands shown in the table will be authorized in these environments.

Table 12. Terminal Security Defaults for IMS Commands from LU 6.2 Devices and OTMA

LU 6.2 Devices	OTMA
/BROADCAST	/LOC
/LOC	/LOG
/LOG	/RDISPLAY
/RDISPLAY	/UNL
/RMLIST	

## Commands Supported by the OM API

Table 13 on page 40 is a list of IMS command verbs and primary keywords that can be issued through the Operations Manager (OM) API. The command verb can be specified in the long form or short form, as specified in column one and two respectively. The primary keyword is the first keyword following the command verb, as specified in column three.

Table 13. Commands Supported by the OM API

Command (long form)	Command (short form)	Primary Keywords
/ACTIVATE	/ACT	LINK, NODE
/ALLOCATE	/ALL	LU
/ASSIGN	/ASS	CLASS, CPRI, INPUT, LCT, LPRI, LTERM, NPRI, OUTPUT, PARLIM, PLCT, SEGNO, SEGSZ, TRAN, USER
/BROADCAST	/BRO	ACT, LINE, LTERM, MASTER, NODE, PTERM, USER
/CHANGE	/CHA	APPC, CCTL, CPLOG, DESC, DIR, FDR, LINK, NODE, PSWD, SUBSYS, SURV, TRAN, UOR, USER
/CHECKPOINT	/CHE	DUMPQ, FREEZE, PURGE, STATISTICS
/CLSDST	/CLS	NODE
/CQCHKPT	/CQC	SHAREDQ, SYSTEM
/CQQUERY	/CQQ	STATISTICS
/CQSET	/CQS	SHUTDOWN
/DBDUMP	/DBD	DB
/DBRECOVERY	/DBR	AREA, DB, DATAGRP
/DELETE	/DEL	DESC, PSWD, TERMINAL
DELETE	DEL	LE
/DEQUEUE	/DEQ	AOITKN, LINE, LTERM, LU, MSNAME, NODE, SUSPEND, TMEM, TRAN, USER
/DISPLAY	/DIS	ACT, AFFIN, AOITKN, APPC, AREA, ASMT, CCTL, CONV, CPLOG, CQS, DB, DBD, DESC, FDR, FPV, HSB, HSSP, LINE, LINK, LTERM, LU, MASTER, MODIFY, MSNAME, NODE, OASN, OLDS, OTMA, OVERFLOWQ, PGM, POOL, PSB, PTERM, Q, QCNT, RECOVERY, RTC, SHUTDOWN, STATUS, STRUC, SUBSYS, SYSID, TIMEOVER, TMEM, TRACE, TRACKING, TRAN, UOR, USER
/END	/END	LINE, NODE, USER
/ERESTART	/ERE	BACKUP, COLDBASE, COLDCOMM, COLDSYS, NULL
/EXCLUSIVE	/EXC	LINE, NODE, USER



Table 13. Commands Supported by the OM API (continued)

	Command (long form)	Command (short form)	Primary Keywords
	/EXIT	/EXI	CONV
	/IDLE	/IDL	LINE, LINK, NODE
2	INITIATE	INIT	OLC, OLREORG
	/LOCK	/LOC	DB, PGM, TRAN
	/LOG	/LOG	
	/MODIFY	/MOD	ABORT, COMMIT, PREPARE
	/MONITOR	/MON	LINE
	/MSASSIGN	/MSA	LINK, MSNAME, SYSID, TRAN
2	/NRESTART	/NRE	CHKPT, NULL
	/OPNDST	/OPN	NODE
	/PSTOP	/PST	LINE, LINK, LTERM, MSPLINK, REGION, TRAN
	/PURGE	/PUR	APPC, FPPROG, FPRGN, LINE, LTERM, MSNAME, TRAN
2	QUERY	QRY	AREA, DB, IMSPLEX, LE, MEMBER, OLC, OLREORG STRUCTURE, TRAN
	/QUIESCE	/QUI	NODE
	/RDISPLAY	/RDI	MASTER
	/RECOVER	/REC	ADD, REMOVE, START, STOP, TERMINATE
	/RMCHANGE	/RMC	
	/RMDELETE	/RMD	
	/RMGENJCL	/RMG	
	/RMINIT	/RMI	
	/RMLIST	/RML	
	/RMNOTIFY	/RMN	
	/RSTART	/RST	LINE, LINK, MSPLINK, NODE, USER
	/RTAKEOVER	/RTA	DUMPQ, FREEZE, UNPLAN
	/SECURE	/SEC	APPC, OTMA
	/SMCOPY	/SMC	MASTER, TERMINAL
2	/START	/STA	APPC, AREA, AUTOARCH, CLASS, DB, DATAGRP, DC, DESC, ISOLOG, LINE, LTERM, LU, MADSIOT, MSNAME, NODE, OLDS, OTMA, PGM, REGION, RTC, SB, SERVGRP, SLDSREAD, SUBSYS, SURV, THREAD, TMEM, TRAN, TRKARCH, USER, VGR, WADS, XRCTACK

Table 13. Commands Supported by the OM API (continued)

	<b>Command (long form)</b>	<b>Command (short form)</b>	<b>Primary Keywords</b>
2	/STOP	/STO	ADS, APPC, AREA, AUTOARCH, BACKUP, CLASS, DB, DATAGRP, DC, LINE, LTERM, LU, MADSIOT, MSNAME, NODE, OLDS, OTMA, PGM, REGION, RTC, SB, SERVGRP, SLDSREAD, SUBSYS, SURV, THREAD, TMEM, TRAN, USER, VGR, WADS, XRCTACK
	/SWITCH	/SWI	OLDS, SYSTEM, WADS
2	TERMINATE	TERM	OLC, OLREORG
	/TEST	/TES	MFS
	/TRACE	/TRA	SET
	/UNLOCK	/UNL	DB, PGM, SYSTEM, TRAN
2	UPDATE	UPD	AREA, DATAGRP, DB, LE, OLREORG, TRAN
	/UNLOAD	/VUN	AREA

## Chapter 2. Keyword Table and Definitions

2 All IMS keywords and their synonyms and environments, as well as keywords  
 2 supported by the OM API, are listed in Table 14. The section following the table  
 2 describes the keywords in greater detail.

2 A keyword listed in the OM keyword column indicates that it is the only accepted  
 2 form supported by the OM API. If no keyword is listed in the OM keyword column,  
 2 then the IMS keyword or its synonym is acceptable. If no synonyms are listed, none  
 2 are permitted.

IMS ignores misspelled keywords; IMS issues an error message when it encounters  
 an invalid keyword. In an IMSplex, invalid or misspelled keywords will result in an  
 "UNKNOWN POSITIONAL PARAMETER" message.

3 ALL=NO or ALL=DIS can be specified on the KEYWD macro to prevent use of the ALL  
 3 parameter. ALL=NO and ALL=DIS can be specified for all keywords. ALL=NO indicates  
 3 that the ALL parameter is invalid on all the commands for the keyword. ALL=DIS  
 3 indicates the ALL parameter is invalid on all the /DISPLAY commands for the  
 3 keyword. Note, the KEYWD macro only applies to type-1 commands. For more  
 3 information on the KEYWD macro, see *IMS Version 9: Customization Guide*.

2 *Table 14. Keywords, Synonyms, and Their Environments*

IMS Keyword	Synonym	OM Keyword	DB/DC	DBCTL	DCCTL
ABDUMP			X	X	X
ABORT			X	X	X
ACCESS			X	X	
ACTIVE	A, ACT	ACT	X	X	X
ADD			X	X	
ADS			X	X	
AFFINITY	AFFIN, AFF	AFFIN	X		X
ALLENTRIES	ALLENT		X	X	
AOITOKEN	AOITKN	AOITKN	X	X	X
APDB			X	X	
APMQ			X		X
APPC			X		X
AREA			X	X	
ASR			X		X
ASSIGNMENT	ASMT	ASMT	X		X
AUTO			X		X
AUTOARCH	ARCHIVE, AUTOARC	AUTOARCH	X	X	X
AUTOLOGON	AUTLGN		X		X
BACKUP	BU	BACKUP	X		X
BALGRP	BALG		X		X
BKERR			X	X	

Table 14. Keywords, Synonyms, and Their Environments (continued)

IMS Keyword	Synonym	OM Keyword	DB/DC	DBCTL	DCCTL
BUILDQ	BLDQ, BLDQS, BUILDQS		X		X
CAGROUP	CAGRP		X	X	
CANCEL			X	X	X
CCTL	CC	CCTL	X	X	
CHECKPOINT	CHECKPT, CHKPOINT, CHKPT	CHKPT	X	X	X
CLASS	CLS	CLASS	X		X
CMDAUTH			X		X
CMDAUTHE			X		X
CNS			X		X
COLDBASE	COLDB	COLDBASE	X	X	
COLDCOMM	COLD	COLDCOMM	X		X
COLDSESS			X		X
COLDSYS	COLDS	COLDSYS	X	X	X
COMMIT			X	X	X
COMP			X	X	
COMPONENT	COMPT		X		X
CONTINUOUS	CONT		X		X
CONVERSATION	CONV	CONV	X		X
CPLOG			X		X
CPRI			X		X
CQS			X		X
CRD			X		X
DATABASE	DATABASES, DB, DBS	DB	X	X	
DATAGROUP	DATAGRP	DATAGRP	X	X	
DBALLOC			X	X	
DBD			X	X	
DBDS			X	X	
DBDSGRP			X	X	
DBS			X	X	X
DC			X		X
DESCRIPTOR	DESC, L62DESC	DESC	X		X
DIRECTORY	DIR	DIR	X		X
DONE			X		X
DUMPQ	DUMPQS	DUMPQ	X		X
EMHQ			X		X
ERRORABORT			X	X	
ERRORCONT			X	X	
EXIT			X		X

Table 14. Keywords, Synonyms, and Their Environments (continued)

IMS Keyword	Synonym	OM Keyword	DB/DC	DBCTL	DCCTL
FDR			X	X	
FORCE			X		X
FORCSESS	FORC		X		X
FORMAT	FMT		X	X	X
FPPROG			X		X
FPREGION	FPRGN	FPRGN	X		X
FPVIRTUAL	FPV	FPV	X	X	
FREEZE			X	X	X
GLOBAL			X	X	
GRSNAME	GRSN, GRS		X		X
HSB	HOTSTANDBY	HSB	X		X
HSSP			X	X	
ICOMPONENT	ICOMPT		X		X
ID			X		X
IMS			X	X	X
IMSPLEX			X	X	X
INDOUBT	IND		X	X	
INPUT			X		X
INTERVAL	INT, INTV		X	X	X
ISOLOG			X	X	X
JOBNAME	JBN, JOB		X	X	X
LE			X	X	X
LA			X		X
LEAVEGR			X		X
LEAVEPLEX			X	X	X
LEVEL			X		X
LINE	LINES	LINE	X		X
LINK			X		X
LMCT	LCT	LCT	X		X
LOCAL			X	X	
LOGOND	LGND		X		X
LOPEN			X		X
LPRI			X		X
LTERM	LTERMS	LTERM	X		X
LUNAME	LU, LUN	LU	X		X
MADSIOT			X	X	X
MASTER			X		
MAXRGN			X		X
		MEMBER			

Table 14. Keywords, Synonyms, and Their Environments (continued)

IMS Keyword	Synonym	OM Keyword	DB/DC	DBCTL	DCCTL
MODE	MODETABLE, MODETBL		X		X
MODIFY			X	X	X
MODULE			X		X
MONITOR	MON		X	X	X
MSDBLOAD			X		
MSG	MESSAGE		X		X
MSGAGE			X		X
MSNAME			X		X
MSPLINK			X		X
MULTSIGN			X		X
NOBACKOUT	NOBKO		X	X	
NOBMP			X	X	X
NOBUILDQ	NBLDQ, NOBLDQ		X		X
NOCHECK			X	X	
NOCMDAUTH			X		X
NOCMDAUTHE			X		X
NOCOMP			X	X	
NOCQSSHUT				X	
NODBALLOC			X	X	
NODE			X		X
NOFEOV			X	X	
NOOPEN			X	X	
NOPASSWORD	NPSWD		X	X	X
NOPFA			X	X	
NOREVERSE			X	X	X
NOSAVE			X		X
NOSHUT	NOS		X		X
NOTERMINAL	NOTER, NOTERM		X		X
NOTRANAUT			X		X
NOTRANCMD			X		X
NOTRDY			X		X
NOUSER			X		X
NPRI			X		X
OASN			X	X	X
OFFLINE			X	X	
OLC			X	X	X
OLDS			X	X	X
OLREORG		OLREORG			
OPEN			X	X	

Table 14. Keywords, Synonyms, and Their Environments (continued)

IMS Keyword	Synonym	OM Keyword	DB/DC	DBCTL	DCCTL
OPTION			X	X	X
OSAMGTF			X	X	
OTMA			X		X
OUTBND	OUTBOUND		X	X	X
OUTPUT			X		X
OVERFLOWQ	OFLWQ	OVERFLOWQ	X		X
OVERRIDE	OVER		X	X	X
PARLIM			X		X
PASSWORD	PASSWORDS, PSWD, PSWDS	PSWD	X	X	X
PCH			X		X
PDS			X	X	X
PI			X	X	
PITR			X	X	
PLMCT	PLCT	PLCT	X		X
POOL			X	X	X
PREPARE			X	X	X
PRIORITY	PRTY		X		X
PROGRAM	PGM, PGMS, PROG, PROGRAMS, PROGS	PGM	X	X	X
PRT			X		X
PRTKN	PRK		X	X	
PSB			X	X	X
PTERM	PTERMS	PTERM	X		X
PURGE			X	X	X
PURGE1	FIRST, SINGLE, SNGL		X		X
Q	QS, QUEUE, QUEUES	Q	X		X
QCNT			X		X
QMGR			X		X
QUIESCE			X		X
RCVTIME			X	X	
RCVTOKEN			X	X	
RDR			X		X
READNUM			X	X	
READY			X		X
RECOVERY	REC	RECOVERY	X	X	
RECOVGRP	RCVGRP		X	X	

Table 14. Keywords, Synonyms, and Their Environments (continued)

IMS Keyword	Synonym	OM Keyword	DB/DC	DBCTL	DCCTL
REGION	REGIONS, REG, REGS, MSGREG, MSGREGS, MSGREGION, MSREGIONS, THREAD	REGION	X	X	X
REMOTE			X		X
REMOVE	REM	REMOVE	X	X	
RESET			X	X	X
RTCODE	RTC	RTC	X		X
SAVE			X		X
SB			X	X	
SCHD			X	X	X
SEGNO			X		X
SEGSIZE	SEGSZ	SEGSZ	X		X
SERVGRP	SG	SERVGRP	X	X	X
SET			X	X	X
SHAREDQ	SHRQ	SHAREDQ	X		X
SHUTDOWN			X	X	X
SIDE			X		X
SNAP			X	X	X
SNAPQ			X		X
SNGLSIGN			X		X
SQTT			X		X
SSM	SUBSYSTEMEMBER		X	X	X
STAGLOBAL			X	X	
STALOCAL			X	X	
START	STA	START	X	X	
STATISTICS			X	X	X
STATUS			X	X	X
STOP	STO	STOP	X	X	
STRUCTURE	STRUC	STRUCTURE	X		X
SUBSYS	SUBSYSTEM, SUBSYSTEMS	SUBSYS	X	X	X
SURVEILLANCE	SUR, SURV, SURVEIL	SURV	X		X
SUSPEND			X		X
SYNCLEVEL	SYNCLV		X		X
SYNCSESS	SYNC		X		X
SYSID			X		X
SYSTEM			X		X
TABLE			X	X	X



Table 14. Keywords, Synonyms, and Their Environments (continued)

IMS Keyword	Synonym	OM Keyword	DB/DC	DBCTL	DCCTL
TAKEOVER	TKO, TKOVR		X		X
TCO			X		X
TDS			X		X
TERMINAL	TER, TERM, TERMINALS, TERMS, TERS	TERMINAL	X		X
THREAD			X	X	
TIMEOUT	TIMO		X		X
TIMEOVER			X		X
TMEMBER	TMEM	TMEM	X		X
TPIPE	TPI		X		X
TPNAME	TP, TPN		X		X
TRACE			X	X	X
TRACKING			X	X	X
TRACKING STATUS			X	X	X
TRANAUTH			X		X
TRANCMD5			X		X
TRANSACTION	TRANS, TRAN, TRANSACTIONS, TRANCODE, TRANCODES, TRS	TRAN	X		X
TRAP			X		X
TRKAUTOARCH	TRKARCH	TRKARCH	X	X	X
TRS			X	X	X
TYPE			X		X
UDATA			X		X
UDS			X		X
UNITYPE			X		X
UNPLAN			X	X	X
UOR			X	X	
USEDBDS	USEAREA		X	X	
USER	SUBPOOL	USER	X		X
USERD	USRD		X		X
USERID			X	X	X
VGRS	VGR	VGR	X		X
VID			X		X
VOLUME			X	X	X
VTAMPOOL	VPL		X		X
WADS			X	X	X
WPM1			X		X
WPM2			X		X

2 Table 14. Keywords, Synonyms, and Their Environments (continued)

IMS Keyword	Synonym	OM Keyword	DB/DC	DBCTL	DCCTL
WPM3			X		X
XRCTRACK			X	X	X
XTRC	XTRACE, EXTRACE		X	X	X

2 **Notes:**

2 <sup>1</sup> ISOLOG and TRKAUTOARCH are valid only for an RSR tracking subsystem.

**ABDUMP**

Requests abnormal termination and a dump of the following:

Application program executing in a region specified in the /STOP REGION command. The parameter stated with ABDUMP must be the name of a transaction currently scheduled for the specified region.

IMS control region when used with the /CHECKPOINT FREEZE, PURGE, or DUMPQ command.

Active control region in an XRF environment when used with either of the following commands:

- The /SWITCH command in the active system
- The /SWITCH command in the alternate system, when it is on the same processor as the active system

ABDUMP is also valid with /STOP BACKUP, when it is used to request abnormal termination and a dump of the backup system.

**ABORT**

Is used with the /MODIFY command to terminate an online change process. This keyword prevents the libraries from being switched and resets the QSTOP status for transactions. ABORT is also used with /CHANGE CCTL or /CHANGE UOR to back out changes for a unit of recovery.

**ACCESS**

Is used with the /START DATABASE command to indicate the type of access intended for the named database. This keyword overrides the database access specified at system definition.

**ACTIVE**

Refers to IMS resources currently in use with the following commands:

/BROADCAST, to refer to any terminal that:

- Is not stopped
- Is not locked (VTAM)
- Is not being polled (BTAM BSC)
- Has not had the /PSTOP command issued and completed against it

/DISPLAY, to refer to transaction codes, programs, regions, classes, terminals, the VTAM ACB, and subsystems. It is also used with /DISPLAY CCTL to show the active threads associated with the coordinator controller.

/SWITCH, to indicate that the command is being entered on the active system in an XRF environment.

**ADS**

Is used with the /STOP command to refer to an area data set.

**AFFINITY**

Is used with the /DISPLAY command to display VTAM affinities that the IMS subsystem has with specific nodes.

**ALLENTRIES**

Is used with the following commands:

/RECOVER REMOVE, to specify that the recovery list will be eliminated.

/RECOVER STOP, to specify that recovery will abort for all database data sets and areas (all entries) in the recovery list.

**AOITOKEN**

Is used with the following commands:

/DEQUEUE, to dequeue and discard messages associated with the specified AOI token name.

/DISPLAY, to show all the AOI tokens in the system.

/PSTOP REGION, to post an application program waiting for messages associated with an AOI token.

**APDB**

Is used with the /TRACE MONITOR command to monitor activity between application programs and databases, including Fast Path activity.

**APMQ**

Is used with the /TRACE MONITOR command to monitor activity between application programs and message queues, including Fast Path activity.

**APPC**

Is used with the following commands:

/DISPLAY, to show LU 6.2 related activities.

/PURGE, to purge transaction schedule requests from APPC/MVS.

/SECURE, to control the RACF security level from LU 6.2 application programs.

/START, to start transaction schedule requests from APPC/MVS.

/STOP, to stop transaction schedule requests from APPC/MVS.

**AREA**

Refers to the areas of a data entry database (DEDB). Areas are data sets that contain entire physical records. AREA is used with the following commands:

- /DBRECOVERY, to allow recovery by DEDB area.
- /DISPLAY, to show the DEDB areas being processed.
- QUERY , to display information about DEDB areas and area data set information in an IMSplex.
- /START, to make DEDB areas available for processing.
- /STOP, to stop the processing of DEDB areas.
- UPDATE, to change the status of area resources in an IMSplex.

**ASR**

Is used with the /CHANGE LINK and /CHANGE NODE commands to change the automatic session restart designation of a link or node.

**ASSIGNMENT**

Is used with the /DISPLAY command to refer to resource assignments.

**AUTO**

Is used with the /TRACE SET ON TIMEOUT command to support the IMS VTAM I/O Timeout facility. The AUTO keyword automatically issues a message along

2  
2  
2

with VTAM INACT and VTAM ACT commands to attempt activation of a node, if I/O exceeded the timeout value specified in the /TRACE command.

**AUTOARCH**

Is used with the /START and /STOP commands to start and stop automatic archiving of online log data sets.

**AUTOLOGON**

Is used with the following commands:

- /CHANGE, to specify that the autologon information previously specified by a user descriptor, output creation exit routine (DFSINSX0), or signon exit routine (DFSSGNX0) is being updated dynamically.
- /DISPLAY USER, to display the current autologon information for the specified user.

**BACKUP**

Is used with the following commands:

- /ERESTART, to indicate that the control region is an alternate system in an XRF environment.
- /STOP, to terminate an alternate system.
- /SWITCH, to indicate the command is being entered on the alternate system.

**BALGRP**

Is used with the /DISPLAY QUEUE and /DISPLAY QCNT commands to display statistical information about the Fast Path balancing group queues.

**BKERR**

Is used with the /DISPLAY DATABASE command to display error queue elements associated with a DL/I or DEDB database. It also displays incomplete backouts preventing the use of a DL/I database.

**BUILDQ**

Is used with the /NRESTART and /ERESTART commands to request reconstruction of the message queue data sets.

**CAGROUP**

Is used with the following commands:

- /RECOVER ADD, to specify that one or more change accumulation groups as defined in the RECON data sets will have their database data sets and areas added to the recovery list.
- /RECOVER REMOVE, to specify that one or more change accumulation groups as defined in the RECON data sets will have their database data sets and areas removed from the recovery list.
- /RECOVER STOP, to specify that recovery processing is to be stopped for the database data sets and areas in the specified change accumulation groups as defined in the RECON data sets.

**CANCEL**

Is used with the /STOP REGION command to cancel a message region, and it is only valid after a /STOP REGION ABDUMP command. It is also used with the /STOP APPC command to cause APPC/z/OS to initiate a shutdown sequence.

**CCTL**

Is used in /DISPLAY CCTL or /CHANGE CCTL to represent a CICS® subsystem that is connected to a DBCTL or IMS subsystem.

**CHECKPOINT**

Is used with the following commands:

/ERESTART, to identify the desired shutdown/restart sequence. Valid parameters are 0 or the checkpoint number provided by IMS when the system was shut down.

/NRESTART, to identify the desired shutdown/restart sequence. The only valid parameter for /NRESTART is 0.

/SWITCH OLDS, to take a simple checkpoint after switching OLDS.

### **CLASS**

Is used with the /ASSIGN, /START, and /STOP commands to indicate that the specified command will affect the class-scheduling capability of IMS. /DISPLAY STATUS CLASS displays the status of classes. Valid parameters are one or more decimal numbers from 1 through 999 that represent class numbers assigned during IMS system definition.

This keyword is also used with /DISPLAY QUEUE, /PSTOP TRANSACTION, and /PURGE TRANSACTION.

### **CMDAUTH**

Is used with the /ERESTART and /NRESTART commands to specify that both signon (user identification verification) and command authorization for static and ETO terminals are in effect at the end of the emergency restart.

### **CMDAUTHE**

Is used with the /ERESTART and /NRESTART commands to specify that command authorization for ETO terminals (same as RCF=S on the startup parameter) is in effect at the end of the emergency restart. CMDAUTHE also resets command authorization for static terminals, if it was set.

### **CNS**

Is used with the /COMPT and /RCOMPT commands to notify IMS that the console component is either operable or inoperable.

### **COLDBASE**

Is used with the /ERESTART command to cold start the database component of IMS.

### **COLDCOMM**

Is used with the /ERESTART command to indicate a data communication cold start.

### **COLDSESS**

Is used with the /CHANGE LINK and /CHANGE NODE commands. COLDSESS is used with the /CHANGE LINK to reset the specified link or links. Use this keyword only after the /PSTOP command has been issued and completed against the link or links.

COLDSESS is used with the /CHANGE NODE command to set up the SLU P or FINANCE session so that the session can be cold started.

### **COLDSYS**

Is used with /ERESTART to cold start both the database component and data communications components of IMS.

### **COMMIT**

Is used to make the changes indicated by the /MODIFY PREPARE command or the INITIATE OLC PHASE(PREPARE) command. This keyword is also used with /CHANGE CCTL or /CHANGE UOR to commit changes for a unit of recovery.

### **COMP**

Is used with the /TRACE SET PSB command to generate program communication block (PCB) and data compare statement images.

**COMPONENT**

Is used with the /ASSIGN command to refer to an output component member of a physical terminal complex. Valid parameters are numeric values from 1 through 4.

**CONTINUOUS**

Is used with the /RSTART LINK command to keep the link running by sending dummy data blocks when there is no data to be sent.

**CONVERSATION**

Is used only in IMS systems using conversational processing with the following commands:

/DISPLAY, to identify the status of conversations.

/EXIT, to terminate an active or held conversation; a valid parameter when terminating a held conversation is the identification of the conversation provided by IMS when the /HOLD command was used to suspend the conversation.

/RELEASE, to resume a previously held conversation; a valid parameter is the identification of the conversation provided by IMS when the /HOLD command was used to suspend the conversation.

/SET, to establish the destination of the next message entered on a terminal that is in a conversation.

**CPLOG**

Is used with the /DISPLAY command to display the value of the IMS execution parameter, CPLOG. The CPLOG keyword is also used with the /CHANGE command to change the value of the CPLOG IMS execution parameter. The CPLOG parameter specifies the number of log records written between system-generated checkpoints.

**CPRI**

Is used with the /ASSIGN command to refer to the current priority of a transaction code. The current priority of a transaction code is the current priority at which the transaction is scheduled. Valid parameters are 1- or 2-character numeric priorities, from 0 through 14.

**CQS**

Is used with the /DISPLAY command to display information about the IMS Common Queue Server subsystem that manages the IMS shared queues.

**CRD**

Is used with the /COMPT and /RCOMPT commands to notify IMS that the card component is operative or inoperative.

**DATABASE**

Refers to a database. Valid parameters are database names consisting of 1 to 8 alphanumeric characters. DATABASE is used with the following commands:

- /DBDUMP
- /DBRECOVERY
- /DELETE
- /DISPLAY
- /LOCK
- /START
- /STOP
- /UNLOCK

**DATAGROUP**

Refers to groups of DL/I databases and Fast Path DEDBs to be processed. Data groups are logical groupings of databases and areas; they allow simplified command processing for the databases and areas. DATAGROUP is used with the following commands:

- /DBRECOVERY, to allow recovery by data group.
- /START, to make data groups available for processing.
- /STOP, to stop the processing of data groups.

DATAGROUP is valid on active and RSR tracking subsystems.

**DATAGRP**

Refers to groups of DL/I databases and Fast Path DEDBs to be processed within an IMSplex. DATAGRP is used with the following commands:

- QUERY
- UPDATE

**DB**

Refers to a database to be processed within an IMSplex. DB is used with the following commands:

- QUERY
- UPDATE

**DBALLOC**

Is used with the /START DATABASE and /START DATAGROUP commands to indicate that databases will be allocated. If not specified, DBALLOC is the default for /START DATABASE 'dbname' commands only. For /START DATABASE ALL and /START DATAGROUP commands, the default is NODBALLOC. This keyword is not allowed on the RSR tracking system.

**DBD**

Is used with the /DISPLAY command, if Fast Path is installed, to display Fast Path and IMS databases, the PSBs that access them, and the type of access.

**DBDS**

Is used with the following commands:

/RECOVER ADD, to specify that one or more full function database data sets will be added to a recovery list.

/RECOVER REMOVE, to specify that one or more full function database data sets will be removed from the recovery list.

/RECOVER STOP, to specify that recovery processing is to be stopped for the specified full function database data sets.

**DBDSGRP**

Is used with the following commands:

/RECOVER ADD, to specify that one or more DBDS groups as defined in the RECON data sets will have their database data sets added to the recovery list.

/RECOVER REMOVE, to specify that one or more DBDS groups as defined in the RECON data sets will have their database data sets removed from the recovery list.

/RECOVER STOP, to specify that recovery processing will stop for the database data sets and areas making up the specified DBDS groups as defined in the RECON data sets.

**DBS**

Is used with the /DISPLAY MODIFY command to display databases or areas with work in progress that could prevent an online change from succeeding.

**DC**

Is used with the /START command to initiate IMS data communication processing, including processing VTAM logons. DC is used with the /STOP command to prohibit logging on to VTAM. DC is also used with /DISPLAY ACTIVE to show VTAM ACB status, as well as line and node activity.

**DESCRIPTOR**

Is used with the /CHANGE, /DELETE, and /DISPLAY commands to alter, delete, or show the LU 6.2 descriptor values. Valid parameters are from 1 to 8 alphanumeric characters long.

**DIRECTORY**

Is used with the /CHANGE command to restore the MFS Dynamic Directory back to its status after initialization.

**DONE**

Is used with the /IAM command to disconnect a terminal on a switched line from IMS.

**DUMPQ**

Is used with the /CHECKPOINT command to request that termination of IMS include DUMPQ functions.

DUMPQ is also used with the /RTAKEOVER command on an active subsystem for a planned RSR takeover. /RTAKEOVER DUMPQ indicates that a /CHECKPOINT DUMPQ type of shutdown is performed before the planned takeover occurs.

**EMHQ**

Causes global queue count information to display on the Expedited Message Handler queue (EMHQ) when both EMHQ and QCNT are specified. EMHQ is used with the following commands:

/DISPLAY LTERM, for terminal queues.

/DISPLAY NODE, for terminals connected to the node.

/DISPLAY USER, for users on terminal queues.

**ERRORABORT**

Is used with the /RECOVER START command and specifies that recovery will stop for all entries in the recovery list if any database data set or area is unable to complete recovery.

**ERRORCONT**

Is used with the /RECOVER START command and specifies that recovery is to continue if any database data set or area is able to complete recovery.

**EXIT**

Is used with the /DISPLAY TRACE and /TRACE EXIT commands and displays user exit tracing. Currently, only tracing for the DFSMSCEO user exit is supported.

**FDR**

Is used with the /CHANGE and /DISPLAY commands to change or display information for IMS Fast Database Recovery regions.

**FORCE**

Is used with the /SWITCH command to cause immediate termination of the active system in an XRF environment.



FORCE is used with the /PSTOP command for VTAM links and is intended to be used when an MSC VTAM link will not cleanup and idle during normal PSTOP processing, even though VTAM has terminated the session.

FORCE also can be used in conjunction with some VTAM commands to idle and cleanup the VTAM link within IMS, so that a /RSTART LINK can be issued to restart the link again.

FORCE is also used with the /CLSDST command to re-initialize a hung node with I/O in progress.

**FORCSESS**

Is used with the /CHANGE command to allow session though message resynchronization was not successful. This change remains in effect until the next /CHANGE command or IMS cold start and overrides the FORCSESS/SYNCSESS specification on the TERMINAL or MSLINK macro. FORCSESS is valid for multiple system coupling (MSC) VTAM or Intersystem Communication (ISC).

**FORMAT**

Is used with /NRESTART and /ERESTART commands to request reformatting of one or more system data sets. Valid parameters are 2-character data set identifications.

**FPPROG**

Is used with the /PURGE command to terminate Fast Path message-driven programs by PSB name.

**FPREGION**

Is used with the /PURGE command to specify the region identifier of the message-driven programs to be terminated.

**FPVIRTUAL**

Is used with the /DISPLAY command to show DEDB areas loaded into z/OS data spaces for the Fast Path Virtual Storage Option (VSO). FPVIRTUAL is valid only on active DB/TM and DBCTL subsystems.

**FREEZE**

Is used with the /CHECKPOINT command to request termination of IMS.

FREEZE is also used with the /RTAKEOVER command on an active subsystem for a planned RSR takeover. /RTAKEOVER FREEZE indicates that a /CHECKPOINT FREEZE type of shutdown is performed before the planned takeover occurs.

**GLOBAL**

Is used with the /DBDUMP, /DBRECOVERY, /START, and /STOP commands to specify that the command applies to all subsystems sharing a database.

**GRSNAME**

Is used with the /START VGRS command to specify a VTAM generic resource name for an IMS subsystem when it joins a generic resource group.

**HSB**

Is used with the /DISPLAY command to show XRF related information.

**HSSP**

Is used with the /DISPLAY command to display high speed sequential processing (HSSP) information.

**ICOMPONENT**

Is used with the /ASSIGN command to refer to an input component number of a physical terminal complex. Valid parameters are numbers 1 through 4.

**ID** Is used with the /OPNDST NODE USER command to identify the other system half-session qualifier.

**IMS PLEX**

Is used with the IMSplex commands to refer to an IMSplex in a Parallel Sysplex® environment.

**INDOUBT**

Is used with the /DISPLAY CCTL command to show in-doubt threads.

**INPUT**

Is used with the following commands:

/ASSIGN, to change a logical terminal input assignment without changing the output assignment.

/DISPLAY LUNAME, to display information about LU 6.2 application programs.

/START LUNAME, to make the LUNAME available for inbound and synchronous outbound activities.

/STOP LUNAME, to stop the LUNAME for inbound and synchronous outbound activities.

/TRACE LUNAME, to trace the LUNAME for inbound and synchronous outbound activities.

**INTERVAL**

Is used with the /CHANGE SURVEILLANCE command to change the interval value of a particular surveillance mechanism in an XRF environment. The interval value controls how often the alternate system surveys the state of the active system.

**ISOLOG**

Is used with the /START command on an RSR tracking subsystem to request isolated log data (a gap in the log data) from the isolated log sender at the active site.

The ISOLOG keyword is valid only on an RSR tracking subsystem.

**JOBNAME**

Is used with the following commands to specify the job name on the JOB statement of a region's JCL member:

- /PSTOP REGION
- /START REGION
- /STOP REGION

**LA**

Is used with the /TRACE MONITOR command to monitor line and logical link events.

**LE**

Is used on DELETE, UPDATE, and QUERY commands to specify Language Environment® (LE) runtime parameter overrides.

**LEAVEPLEX**

In an IMSplex, this keyword is specified if the IMS that is being shut down is not going to rejoin the IMSplex. Specify the LEAVEPLEX keyword when you do not intend to bring the IMS back up in the IMSplex.

**LEAVEGR**

Is used with the /CHECKPOINT command to delete all affinities from the VTAM affinities table for an IMS subsystem during IMS shutdown. This keyword also causes IMS to leave the VTAM generic resources group.

**LEVEL**

Is used with the /TRACE command to indicate the extent of desired trace information. Valid parameters are numeric values from 1 through 4.

**LINE**

Refers to a communication line. Valid parameters are line numbers that are 1 to 4 characters long.

LINE is used with the following commands:

/ASSIGN	/LOOPTEST
/BROADCAST	/MONITOR
/DELETE PASSWORD	/PSTOP
/DEQUEUE	/PURGE
/DISPLAY	/RSTART
/END	/START
/EXCLUSIVE	/STOP
/EXIT	/TEST MFS
/IDLE	/TRACE

**LINK**

Refers to a logical link in a multiple systems configuration. Valid parameters are numbers 1 through 255.

LINK is used with the following commands:

/ACTIVATE	/MSASSIGN
/CHANGE	/PSTOP
/DISPLAY	/RSTART
/IDLE	/TRACE

**LMCT**

Is used with the /ASSIGN command to refer to the limit count of a transaction code. The limit count is the queue count number for which the current priority is changed to the limit priority. Valid parameters are numeric values from 1 through 65535.

**LOCAL**

Is used with the /DBDUMP, /DBRECOVERY, /MSASSIGN TRANSACTION, /START, and /STOP commands to specify that the command applies only to the subsystem in which the command is issued.

**LOGOND**

Is used with the /OPNDST command to indicate the logon descriptor used for session establishment for dynamic terminals.

**LOPEN**

Is used with the /RSTART LINE command to enable communication lines again when the next I/O operation occurs.

**LPRI**

Is used with the /ASSIGN command to refer to the limit priority of a transaction code. The LPRI is the priority to which this transaction is raised if the queue count is equal to, or exceeds, the limit count. Valid parameters are 1- or 2-character numeric priorities, from 0 through 14.

**LTERM**

Refers to a logical terminal. Valid parameters are logical terminal names consisting of 1 to 8 alphanumeric characters. The LTERM can be defined to IMS in the system definition or it can be dynamically introduced if ETO is enabled.

This keyword is used with the following commands:

/ASSIGN	/MODIFY
/BROADCAST	/PSTOP
/DELETE	/PURGE
/DEQUEUE	/RMxxxxxx
/DISPLAY	/SET
/FORMAT	/START
/IAM	/STOP
/LOCK	/UNLOCK

LTERM is also used with IMSplex commands.

### LUNAME

Refers to the logical unit name of an LU 6.2 application program or destination. A network-qualified LU name is optional on the LUNAME keyword. A network-qualified LU name is 1 to 8 alphanumeric characters long (the network identifier of the originating system), followed by a period, and then followed by the LU name that is also 1 to 8 alphanumeric characters long. IMS commands that include network-qualified LU names must enclose the network-qualified LU name in single quotes; for example, 'NETID001.LUAPPC02'. No blanks are allowed in a network-qualified LU name.

An LU name that is not network-qualified consists of 1 to 8 alphanumeric characters.

This keyword can be used with the following commands:

/ALLOCATE	/START
/CHANGE DESCRIPTOR	/STOP
/DEQUEUE	/TRACE
/DISPLAY	

### MADSIOT

Is used with the following commands:

/DISPLAY AREA, to display only those areas that are currently in a long busy condition or are in long busy recovery mode.

/START, to specify the MADS I/O timing function. The /START MADSIOT command is valid only after the long busy handling function is disabled for a link failure, a structure failure, or a rebuild failure.

### MASTER

Is used with the /BROADCAST, /DISPLAY, /RDISPLAY, and /SMCOPY commands to issue commands to or receive information from the IMS master terminal.

### MAXRGN

Is used with the /CHANGE TRANSACTION command to change the maximum number of regions that can be simultaneously scheduled for a given transaction.

### MEMBER

Is used with the QUERY command to refer to IMSplex components in an IMSplex.

### MODE

Is used with the /ALLOCATE, /CHANGE DESCRIPTOR, /DISPLAY, /OPNDST, and /RSTART LINK commands to refer to the various modes in which VTAM terminals can operate. The mode parameter causes selection of the corresponding entry in the VTAM LOGON MODE table.

### MODIFY

Is used with the /DISPLAY command to indicate the status of the resources to be deleted or changed.

### MODULE

Is used with the /TRACE command to indicate the calls to trace. Valid parameters are DDM, MFS, and ALL.

**MONITOR**

Is used with the /TRACE command to activate the IMS Monitor. Valid parameters are LA, SCHED, APMQ, APDB, and ALL. MONITOR is also used with the /DISPLAY TRACE command.

**MSDBLOAD**

Is used with the /NRESTART command during warm starts to load MSDBs from the z/OS sequential data set MSDBINIT.

**MSG**

Is used with /TRACE SET ON TIMEOUT to support the IMS VTAM I/O Timeout facility. The MSG keyword is used with /TRACE SET ON TIMEOUT to issue a message when I/O has exceeded the timeout value specified in the /TRACE command.

**MSGAGE**

Is used with /DISPLAY QCNT command to display a count of messages in a shared queue in which the oldest message exceeds the specified message age (in days).

**MSNAME**

Is used with the following commands to refer to a logical link path in a multiple systems configuration:

- /BROADCAST MASTER
- /DEQUEUE
- /DISPLAY
- /MSASSIGN
- /MSVERIFY
- /PURGE
- /START
- /STOP

**MSPLINK**

Is used with the following commands to refer to a physical link in a multiple systems configuration:

- /DISPLAY ASSIGNMENT
- /MSASSIGN LINK
- /PSTOP
- /RSTART

**MULTSIGN**

Is used with the /ERESTART and /NRESTART commands to permit multiple signons for each user ID. It also indicates user identification verification is in effect at the end of emergency restart.

**NOBACKOUT**

Is used with the /START DATABASE command to suppress backout restart for a database not registered in DBRC.

**NOBMP**

Is used with the /ERESTART command to prevent backout of updates made by batch message processing programs active when the system failure occurred.

**NOBUILDQ**

Is used with the /NRESTART command to allow IMS to come up quickly when queues are reformatted.

**NOCHECK**

Is used with the /RECOVER START command. If a member of a recovery group is in the recovery list being started, NOCHECK specifies that the Online Recovery Service will not stop a timestamp recovery or a timestamp recovery to any prior point in time (PITR) if one of the following situations occurs:

- All members of the recovery group are not in the same recovery list.
- All members of the recovery group do not need to be recovered to the same point in time.

**NOCMDAUTH**

Is used with the /ERESTART and /NRESTART commands to reset command authorization on static and ETO terminals.

**NOCMDAUTHE**

Is used with the /ERESTART and /NRESTART commands to reset command authorization for static and ETO terminals. The command authorization is reset for static terminals because the command authorization for static terminals cannot exist without the command authorization for ETO terminals.

**NOCOMP**

Is used with the /TRACE SET PSB command to suppress PCB and data compare statement images.

**NOCQSSHUT**

Is used with the /CHE DUMPQ, /CHE FREEZE, or /CHE PURGE commands to **not** shut down the CQS address space when the IMS control region terminates. The CQS address space remains active and connected to the message queue structures. NOCQSSHUT is applicable only when IMS is running in a shared-queues environment. The default is to shut down the CQS address space when the IMS control region terminates.

**NODBALLOC**

Is used with the /START DATABASE and /START DATAGROUP commands to indicate that databases are not to be allocated. This is the default for /START DATABASE ALL and /START DATAGROUP commands. For /START DATABASE 'dbname' commands, the default is DBALLOC, and NODBALLOC must be specified if the database is not to be allocated. If not allocated, the database will be allocated when it is scheduled. This keyword is not allowed on the RSR tracking system.

NODBALLOC is valid only on an active subsystem.

**NODE**

Refers to a valid VTAM node. The node can be defined to IMS through system definition or dynamically introduced if ETO is enabled. If the NODE parameter is associated with ISC parallel sessions, the USER keyword should be used to specify the proper half-session. When the USER keyword is omitted, all half-sessions of the specified node are affected by the command.

When the NODE and USER keywords are both used, the USER keyword must follow the NODE keyword. For restrictions on the use of NODE USER keyword combinations, see Appendix E, "Commands with the NODE USER Keyword Combination," on page 851

NODE is used with the following commands:

/ACTIVATE	/EXIT
/ASSIGN	/IDLE
/BROADCAST	/LOCK
/CHANGE	/OPNDST
/CLSDST	/QUIESCE
/COMPT	/RSTART
/DELETE PASSWORD	/START

/DEQUEUE	/STOP
/DISPLAY	/TEST MFS
/END	/TRACE
/EXCLUSIVE	/UNLOCK

NODE is also used with IMSplex commands.

Several commands that affect NODEs are valid only for static terminals. These commands are valid only for static nodes:

- /END NODE
- /EXCLUSIVE NODE
- /TEST MFS NODE

The following commands are valid for static nodes with ISC parallel sessions:

- /END NODE USER p1 USER p2
- /EXCLUSIVE NODE p1 USER p2
- /TEST MFS NODE p1 USER p2

### **NOFEOV**

Is used with the /DBDUMP and /DBRECOVERY commands to allow the commands to execute without forcing end-of-volume on the system log.

### **NOOPEN**

Is used with the /START DBcommand to indicate that the named database should not be opened in the processing of this command.

### **NOPASSWORD**

Is used with the /NRESTART command to negate the password security specifications of the IMS Security Maintenance utility.

### **NOPFA**

Is used with the following commands to specify that DBRC is not to be notified of a change in status for a database or area:

- /DBDUMP
- /DBRECOVERY
- /STOP DATABASE | AREA

By using this keyword, DBRC does not prevent further authorizations for the database or area.

### **NOREVERSE**

Is used with the /RTAKEOVER UNPLAN command to specify that an unplanned remote takeover cannot be reversed. The primary effect of this keyword is that the IMS tracking subsystem saves and processes all data it has received from an active site, regardless of whether that data was committed.

### **NOSAVE**

Is used with the following commands:

/ASSIGN, to indicate that the assignment changes specified by the /ASSIGN command are lost when control blocks are deleted by the system when they are no longer needed.

/CHANGE, to indicate that the changed autologon information should not be retained.

### **NOSHUT**

Is used with the /IDLE LINE command to stop input and output activities on

3270 remote BTAM lines without having to initiate a checkpoint shutdown.  
NOSHUT is not valid with the /IDLE NODE command.

**NOTERMINAL**

Is used with the /NRESTART command to negate the terminal security specifications of the IMS Security Maintenance utility.

**NOTRANAUTH**

Is used with the /ERESTART and /NRESTART commands to turn off transaction authorization. NOTRANAUTH is not the opposite of TRANAUTH. TRANAUTH sets transaction authorization and also turns on signon (user identification verification).

**NOTRANCMS**

Is used with the /ERESTART and /NRESTART commands to negate transaction command security.

**NOTRDY**

Is used with the /COMPT and /RCOMPT commands to make a terminal component not ready.

**NOUSER**

Is used with the /NRESTART command to request that neither security authorization nor transaction authorization be in effect at the end of the normal restart.

**NPRI**

Is used with the /ASSIGN command to refer to the normal priority of a transaction code. The normal priority is assigned to the transaction as the current priority when the transaction queue count is less than the limit count. Valid parameters are 1- or 2-character numeric priorities from 0 through 14.

**OASN**

Is used with the /CHANGE and /DISPLAY commands to specify a specific outstanding recovery element related to an external subsystem being deleted from IMS. The origin application schedule number (OASN) is used by IMS to identify recovery information.

**OFFLINE**

Is used with the following commands:

/RECOVER ADD, to specify that the databases and areas undergoing recovery will be left offline after recovery is complete.

/RECOVER START, to specify that the database data sets and areas in the recovery list will remain offline after recovery is complete.

**OLC**

Is used with the INITIATE, QUERY, and TERMINATE commands to initiate, query, or terminate a global online change.

**OLDS**

Is used with the /DISPLAY, /START, /STOP, and /SWITCH commands to refer to online log data sets.

**OLREORG**

Is used with the INITIATE, /INITIATE, QUERY, /QUERY, TERMINATE, /TERMINATE, UPDATE, and /UPDATE commands to initiate, query, terminate, or update an online reorganization of a HALDB partition.

**OPEN**

Is used with the /START DBcommand to indicate that the named database should be opened in the processing of this command.

3  
3  
3  
3



**OPTION**

Is used with the /TRACE command. When used with the PI keyword, OPTION indicates a request for a specific program isolation trace option. Valid parameters are LOG, TIME, and ALL. When used with the TABLE keyword, OPTION indicates whether or not the trace tables will be logged.

**OSAMGTF**

Is used with the /TRACE command to activate or deactivate tracing of GTF trace records for every OSAM buffer request of LOCATE or CREATE.

OSAMGTF keyword is also used with the /DISPLAY TRACE command to display whether the OSAM Buffer Trace facility is active or inactive.

**OTMA**

Is used with the /DISPLAY, /START, and /STOP commands to display, start, or stop IMS Open Transaction Manager Access (OTMA). OTMA is also used with the /SECURE command to control the RACF security level for OTMA.

**OUTBND**

Is used with the /CHANGE command to change the current outbound LU.

**OUTPUT**

Is used with the /ASSIGN command to change a logical terminal output assignment without changing the input assignment.

OUTPUT is also used with the following commands:

/DISPLAY LUNAME, to display LU 6.2 application programs.

/START LUNAME, to make the LU name available for asynchronous outbound activities.

/STOP LUNAME, to stop the LU name for asynchronous outbound activities.

/TRACE SET LUNAME, to trace the LU name for asynchronous outbound activities.

**OVERFLOWQ**

Is used with the /DISPLAY command to display queues on an overflow list structure in a shared-queues environment.

**OVERRIDE**

Is used with the /ERESTART command to restart the system after failure of power, machine, z/OS, or DBRC.

**PARLIM**

Is used with the /ASSIGN command when message regions are parallel processing a transaction. PARLIM is the maximum number of messages that can be enqueued, but not yet processed, by each active message region currently scheduled for this transaction. An additional message region is scheduled whenever the transaction queue count exceeds the PARLIM value multiplied by the number of regions currently scheduled for this transaction (for shared queues environments, the successful consecutive GU count is used instead of the queue count). Valid parameters are numeric values from 0 through 32767, and 65535, where 65535 disables transaction load balancing.

**PASSWORD**

Refers to the password security specifications of the IMS Security Maintenance utility. PASSWORD is used with the following commands:

/CHANGE, to replace a password known to the password security specifications of the IMS Security Maintenance utility with a new password.

/DELETE, to eliminate password security of the IMS Security Maintenance utility for a currently password-protected resource.

/MODIFY PREPARE, to add a password security definition.

/NRESTART, to request that the password security specifications of the IMS Security Maintenance utility be in effect at completion of the restart process.

**PCH**

Is used with the /COMPT and /RCOMPT commands to notify IMS that a punch component is either operable or inoperable.

**PDS**

Is used with the /COMPT and /RCOMPT commands to notify IMS that a print data set is operable or inoperable.

**PI**

Is used with the /TRACE command to request that program isolation be traced along with all calls to ENQ/DEQ and the DL/I buffer handler. PI is also used with the /DISPLAY TRACE command to display the status of the program isolation trace.

**PITR**

Is used with the /RECOVER START command and specifies that timestamp recovery (TSR) was specified or a point-in-time recovery is to be performed against the database data sets and areas specified with preceding /RECOVER ADD commands.

**PLMCT**

Is used with the /ASSIGN command to refer to the processing limit count of a transaction code. The processing limit count is the number of messages of this transaction code that a program can process in a single scheduling. Valid parameters are values from 0 through 65535.

**POOL**

Is used with the /DISPLAY command to refer to a buffer pool within the IMS system. Valid parameters are 3- and 4-character pool names.

**PREPARE**

Is used with the /MODIFY and INITIATE OLC commands to initiate the prepare phase to change resources online. These commands refer to local online change or global online change.

**PRIORITY**

Is used with the /DISPLAY Q command to request transaction scheduling information, such as queue count, class, and current priority.

**PROGRAM**

PROGRAM refers to an IMS application program. PROGRAM is used with the following commands:

```
/DELETE  
/DISPLAY  
/LOCK  
/START  
/STOP  
/TRACE  
/UNLOCK
```

Valid parameters are program names that are 1 to 8 alphanumeric characters long.

Use of the ALL parameter for /DISPLAY PROGRAM can be prevented by specifying ALL=NO on the KEYWD macro. For more information on the KEYWD macro, see *IMS Version 9: Customization Guide*.

**PRT**

Is used with the /COMPT and /RCOMPT commands to notify IMS that a printer component is either operable or inoperable.

**PRTKN**

Indicates the pseudo recovery token to be used with the /CHANGE CCTL command.

**PSB**

Is used with the /DISPLAY command if Fast Path is installed, to display Fast Path and IMS PSBs, the transactions they are processing, the databases they are accessing, and any Fast Path routing codes associated with the transactions.

This keyword is also used with the /TRACE command to record all DL/I calls issued for a specified PSB.

**PTERM**

Is used with the commands listed below to refer to a relative physical terminal:

/ASSIGN	/LOOPTEST LINE
/BROADCAST	/MONITOR LINE
/DELETE PASSWORD	/PSTOP LINE
/DEQUEUE	/PURGE LINE
/DISPLAY	/RSTART LINE
/END LINE	/START LINE
/EXCLUSIVE LINE	/STOP LINE
/EXIT LINE	/TEST MFS LINE
/IAM	/UNLOCK
/LOCK	

Valid parameters are numbers corresponding to the relative position of the terminal on the line. When used without the LINE keyword on the /DISPLAY command, valid parameters are physical terminal attributes.

**PURGE**

Is used with the following commands:

CHECKPOINT, to request termination of IMS.

/DEQUEUE, to cancel all output messages enqueued on a logical terminal or destined to a physical terminal.

/PSTOP, to stop a channel-to-channel partner link that is not idle after a system failure.

**PURGE1**

Is used with the /DEQUEUE command to delete only the first message currently queued to an LTERM.

**Q** Is used with the /DISPLAY command to request message queue information. The keyword is also valid with /OPNDST NODE to request VTAM to queue SIMLOGON requests for VTAM/SNA-supported terminals.

**QCNT**

Is used with the following commands to display the global count of messages in a shared-queues environment:

- /DISPLAY
- /DISPLAY LINE
- /DISPLAY LINK
- /DISPLAY LTERM
- /DISPLAY LUNAME
- /DISPLAY MSNAME

- /DISPLAY NODE
- /DISPLAY Q
- /DISPLAY TMEMBER
- /DISPLAY TRANSACTION
- /DISPLAY USER

With this keyword, local queue counts are not displayed; any numbers displayed for local queue counts should be ignored.

**QMGR**

Is used with the /TRACE TABLE command to indicate that the queue manager trace is to be activated or deactivated.

**QUIESCE**

Is used with the /CHECKPOINT command to shut down the network only after normal processing is complete on all VTAM nodes.

**RCVTIME**

Is used with the /RECOVER REMOVE and /RECOVER START commands to specify a recovery to a point in time.

**RCVTOKEN**

Is used with the following commands:

- /DISPLAY RECOVERY, to specify the recovery token associated with the specific recovery list to display.
- /RECOVER ADD, to specify the unique identifier associated with the recovery list that the /RECOVER ADD command operates against.
- /RECOVER REMOVE, to specify the unique identifier associated with the recovery list that the /RECOVER ADD command operates against.
- /RECOVER START, to specify the logical terminal (including IMS master terminal and z/OS system console) that owns the recovery list that the /RECOVER START command operates against.

**RDR**

Is used with the /COMPT and /RCOMPT commands to notify IMS that a reader component is either operable or inoperable.

**READNUM**

Is used with the /RECOVER REMOVE and /RECOVER START commands to specify the number of input devices used in parallel during recovery.

**READY**

Is used with the /COMPT and /RCOMPT commands to make a terminal component ready.

**RECOVERY**

Is used in the /DISPLAY RECOVERY command to display the list of database data sets and areas being recovered by Online Recovery Service. Is also used with the /DISPLAY NODE RECOVERY or /DISPLAY USER RECOVERY commands to display status recovery settings for a node or user.

**RECOVGRP**

Is used with the /RECOVER ADD, /RECOVER REMOVE, and /RECOVER STOP commands to specify that the listed groups are recovery groups. A recovery group is a group of full-function databases or DEDB areas that are related.

**REGION**

Requests an action be taken with respect to a message processing region, batch message processing region, or Fast Path region.

REGION is used with the /ASSIGN, /DISPLAY ACTIVE, /PSTOP, /START, and STOP commands.

Valid REGION parameters used with /ASSIGN, /PSTOP, and /STOP are the decimal numbers from 1 through the number of regions defined during system definition.

When used with /PSTOP, REGION returns a QC status code to an application program active in the specified region.

Valid REGION parameters used with /START are names of IMS.JOBS members.

When used with /DISPLAY ACTIVE, REGION shows the status of active regions.

### REMOTE

Is used with the /DISPLAY QCNT command to display remote LTERMs and remote transactions on shared queues.

### REMOVE

Is used with the /RECOVER command to remove some or all database data sets and areas from the recovery list.

### RESET

Is used with the /CHANGE command to indicate that an incomplete unit of work, identified by OASN and assigned to an external subsystem, will be deleted.

### RTCODE

Refers to Fast Path routing codes and is used with the following commands:

/DISPLAY, to display the status of programs with specified routing codes.

/DISPLAY STATUS, to display routing codes that are not active.

/START, to activate routing codes and allow transactions associated with the routing codes to process.

/STOP, to prevent transactions associated with the routing code from being processed.

### SAVE

Is used with the following commands:

/ASSIGN, to prevent deletion of user and LTERM control blocks across session and IMS restarts.

/CHANGE, to indicate that the changed autologon information should be retained.

/RECOVER STOP, to specify that the recovery list is not to be deleted when recovery is stopped.

### SB

Is used with the /START and /STOP commands to dynamically enable and disable the usage of sequential buffering.

### SCHD

Is used with the /TRACE TABLE command to indicate that the scheduler trace is to be activated or deactivated.

### SEGNO

Is used with the /ASSIGN command to specify the maximum number of application program output segments allowed into the message queues per Get-Unique (GU). Valid parameters are numbers 0 through 65535. The default value is 0.

### SEGSIZE

Is used with the /ASSIGN command to specify the maximum number of bytes

allowed for one output segment. Valid values are 0, 5, or greater than 5 to the maximum of 65535. The default value is 0.

**SERVGRP**

Is used with the /START or /STOP command to start or stop an RSR service group.

SERVGRP is valid on active and RSR tracking subsystems.

**SET**

Is used with the /TRACE command to indicate whether tracing of internal IMS events should be turned on or off. It is also used to start or stop the IMS Monitor.

**SHAREDQ**

Is used with the /CQCHKPT and /CQSET commands to specify the IMS shared queues.

**SHUTDOWN**

Is used with the /DISPLAY STATUS command to request the status of a shutdown-in-progress. Is also used with the /CQSET command to initiate a structure checkpoint when the IMS Common Queue Server shuts down.

**SIDE**

Is used with the /CHANGE DESCRIPTOR command to refer to the APPC/z/OS side information table entry name. The side information table entry contains default values for APPC conversation attributes such as LUNAME, TPNAME, or MODE.

Valid parameters are from 1 to 8 alphanumeric characters long.

**SNAP**

Is used with the /DIAGNOSE command and captures storage information and writes information to the OLDS as type X'6701' records.

**SNAPQ**

Is used with the /CHECKPOINT command to dump the contents of the message queues to the system log tape without causing a shutdown of IMS.

**SNGLSIGN**

Is used with the /ERESTART and /NRESTART commands to permit a single signon for each user ID. It also indicates that user ID verification is in effect at the end of an emergency restart.

**SQTT**

Is used with the /TRACE TABLE command to indicate that the shared queues trace is to be activated or deactivated.

**SSM**

Is used with the /START SUBSYSTEM command to allow external subsystem connection processing to be started if the SSM= parameter is not specified on the IMS startup JCL.

SSM can have one parameter associated with it. The subsystem member name can have a maximum of four characters.

**STAGLOBAL**

Is used with the /RECOVER ADD and /RECOVER START commands. If IRLM is available, STAGLOBAL specifies that a /START DB or AREA command will be processed on all IMSs that have the databases and areas defined when recovery successfully completes.

2  
2  
2

**STALOCAL**

Is used with the /RECOVER ADD and /RECOVER START commands to specify that the databases and areas that have entries in the recovery list will be brought online only on the IMS that ran the recovery. However, database data sets and areas with OFFLINE or STAGLOBAL specified on /RECOVER ADD commands will not be brought online. STALOCAL is ignored if PITR is specified.

**START**

Is used with the /RECOVER command to begin recovery for all database data sets and areas specified in the preceding /RECOVER ADD with the same recovery token that was specified in /RECOVER START.

**STATISTICS**

Is used with the /CHECKPOINT command to generate statistics records that are used for performance measurements and tuning an IMS system. Is also used with the /CQUERY command to display statistics for coupling facility list structures.

**STATUS**

Is used with the /DISPLAY command to request the status of one or more system resources that are in exceptional states. STATUS also can be used with the SHUTDOWN keyword to request status of a shutdown-in-progress, and with the TRACKING keyword to get the status of the tracking system in an RSR complex.

**STOP**

Is used with the /RECOVER command to stop recovery for some or all database data sets and areas in the recovery list.

**STRUCTURE**

Is used with the following commands to refer to a primary coupling facility list structure used by IMS for shared queues or a coupling facility structure used by RM for resources:

- /CQCHKPT
- /CQUERY
- /CQSET
- /DISPLAY
- QUERY

**SUBSYS**

Is used with the /CHANGE, /DISPLAY, /START, and /STOP commands to identify the subsystem name that the command action will affect.

**SURVEILLANCE**

Is used with the /CHANGE, /START, and /STOP commands to refer to the XRF surveillance function. During XRF surveillance, the active XRF IMS subsystem sends signals to the alternate system. From these signals, the alternate system learns that the active system is running satisfactorily. If these signals stop, then the alternate system knows that there might be a problem in the active system. The parameters used with the SURVEILLANCE keyword describe a particular surveillance mechanism:

**LNK**

ISC Link

**RDS**

Restart Data Set

**LOG**

System Log



**SUSPEND**

Is used with the /DEQUEUE command to reschedule all transactions that have been suspended.

**SYNCLEVEL**

Is used with the /CHANGE DESCRIPTOR command to refer to the APPC synchronous level. This level is either NONE or CONFIRM.

**SYNCSESS**

Is used with the /CHANGE command to force a message resynchronization when the session is initiated. This remains in effect until the next /CHANGE command or IMS cold start.

SYNCSESS, which overrides the FORCSESS/SYNCSESS specification on the TERMINAL macro or the MSPLINK macro, is valid for MSC VTAM links or ISC nodes.

**SYSID**

Is used with the /BROADCAST MASTER, /DISPLAY ASSIGNMENT, /MSASSIGN, and /MSVERIFY commands to refer to the system identification of a system in a multiple systems configuration.

SYSID is also used with the /DISPLAY TRANSACTION command to refer to the local or remote systems associated with the transaction. Valid values are from 1 through 255.

Each SYSID has an MSNAME. The MSNAME keyword can be used in place of the SYSID keyword.

SYSID TRANSACTION is used with the /DISPLAY command to refer to the IDs of the local and remote systems associated with the transaction.

**SYSTEM**

Is used with the /UNLOCK and /SWITCH commands to refer to an XRF capable IMS system. Is also used with the /CQCHKPT command to refer to an IMS Common Queue Server subsystem.

**TABLE**

Is used with the /TRACE command to start online tracing, which allows a given trace table to be started or stopped, and specifies which components should be traced in a common trace table. This keyword is also valid with /DISPLAY TRACE, which shows the status of table traces.

**TAKEOVER**

Is used with /TRACE LINK, /TRACE LINE, and /TRACE NODE to trace terminals during XRF takeover.

**TCO**

Is used with the /TRACE command to activate or deactivate tracing for the Time-Controlled Operation (TCO). TCO is also used with the /DISPLAY TRACE command to show whether the tracing for the TCO is active or inactive.

**TDS**

Is used with the /COMPT and /RCOMPT commands to notify IMS that a transmit data set is operable or inoperable.

**TERMINAL**

Refers to the terminal security specifications of the IMS Security Maintenance utility. TERMINAL is used with the following commands:

/DELETE, to eliminate terminal security for a specified transaction.

/MODIFY PREPARE, to add terminal security.



`/NRESTART`, to request that the terminal security specifications of the IMS Security Maintenance Utility be in effect at completion of the restart process.

`/SMCOPY`, to control the printing of command output to the secondary master terminal when commands are issued from terminals other than the master terminal.

**THREAD**

Is used with the `/STOP` command to stop a CCTL thread.

**TIMEOUT**

Is used with the `/CHANGE SURVEILLANCE` command to change a timeout value of a particular surveillance mechanism in an XRF environment. The timeout value controls the length of time the alternate system allows to elapse without a positive signal from the active system before requesting takeover or informing the operator of the potential failure.

TIMEOUT is also used with the `/TRACE SET` command to start or stop the IMS VTAM I/O Timeout facility. `/DISPLAY TRACE TIMEOUT` displays the status of the Timeout facility.

**TIMEOVER**

Supports the IMS VTAM I/O Timeout facility. The TIMEOVER keyword is used with the `/DISPLAY` command to display the VTAM nodes that have been waiting for a VTAM response for a longer time than your installation has specified with the `/TRACE SET ON TIMEOUT` command.

**TMEMBER**

Is used with the `/DISPLAY` command to display IMS Open Transaction Manager Access (OTMA) client status. It is also used with the `/DISPLAY STATUS` command to display all OTMA transaction pipes that are stopped.

It is used with the `/DEQUEUE` command to dequeue messages associated with an OTMA transaction pipe.

It is used with the `/START` and `/STOP` commands to cause IMS to resume or suspend sending of output to OTMA clients.

It is used with the `/TRACE SET` and `/DISPLAY TRACE` commands to set and display traces for OTMA transaction pipes.

**TPIPE**

Is used with the `/DISPLAY` command to display IMS Open Transaction Manager Access (OTMA) client status.

It is used with the `/DEQUEUE` command to dequeue messages associated with an OTMA transaction pipe.

It is used with the `/START` and `/STOP` commands to cause IMS to resume or suspend sending of output to OTMA clients.

It is used with the `/TRACE` command to trace transaction pipe activity for OTMA clients.

To remove TPIPEs from the IMS memory, perform a COLD START or COLD COMM.

**TPNAME**

Refers to the TPNAME of an LU 6.2 application program or destination. When used with the LUNAME keyword, TPNAME must follow LUNAME.

With any command other than `/CHANGE DESCRIPTOR`, a TPNAME parameter of DFSSIDE can be used to indicate that the specified LUNAME parameter represents the APPC/z/OS side information entry name.

The TPNAME parameter can be up to 64 alphanumeric characters long.

This keyword can be used with the following commands:

```
/ALLOCATE          /START
/CHANGE DESCRIPTOR /STOP
/DEQUEUE          /TRACE
/DISPLAY
```

### TRACE

Is used with the /DISPLAY command to examine the status and options of the current IMS traces.

### TRACKING

Is used with the /DISPLAY command to display the RSR tracking status on either the active or RSR tracking subsystem.

TRACKING is valid on active or RSR tracking subsystems.

### TRACKING STATUS

Is used with the /DISPLAY TRACKING STATUS command to display the status of a tracking subsystem.

### TRANAUTH

Is used with the /ERESTART and /NRESTART commands to specify both the transaction authorization and user identification, with or without RACF, that will be in effect at the end of the restart.

### TRANCMDS

Is used with the /ERESTART and /NRESTART commands to request that transaction command security be in effect at the end of the restart.

TRANCMDS is also used with the /MODIFY PREPARE command to add transaction command security.

### TRANSACTION

Refers to a transaction code. Valid parameters are from 1 to 8 alphanumeric characters long.

This keyword is used with the following commands:

```
/ASSIGN          /PURGE
/CHANGE          QUERY
/DELETE         /SET
/DEQUEUE        /START
/DISPLAY        /STOP
/LOCK           /TRACE
/MSASSIGN       /UNLOCK
/PSTOP          UPDATE
```

### TRAP

Is used with the /TRACE command to enable certain MFS serviceability enhancements. TRAP is also used with /DISPLAY TRACE to show the status of the trap trace.

### TRKAUTOARCH

Is used to indicate that the RSR tracking system is to initiate a request to start the automatic archiving of the tracking log data sets. TRKAUTOARCH allows the user to start automatic archive after automatic archive has been terminated following archive data set full conditions.

### TRS

Is used with the /DISPLAY MODIFY command to display transactions with work in progress that could prevent an online change from succeeding.

**TYPE**

Is used with the /CHANGE DESCRIPTOR command to refer to the APPC conversation type, which is either BASIC or MAPPED.

**UDATA**

Is used with the /OPNDST command to indicate the user data used with the logon. (The format of keyword and data: UDATA user data). The user data can include a logon descriptor name, a signon descriptor name, resource access control facility (RACF) access and authorization data, and user information used by a user exit.

**UDS**

Is used with the /COMPT and /RCOMPT commands to notify IMS that a user data set is operable or inoperable.

**UNITYPE**

Is used with the /TRACE command to trace all terminals of a specific type.

**UNPLAN**

Is used with the /RTAKEOVER command to specify an unplanned remote takeover. UNPLAN is valid only on the RSR tracking subsystem.

**UOR**

Is used with the /DISPLAY and /CHANGE commands to determine and specify units of recovery involved in protected conversations using RRS/z/OS.

**USEDBDS**

Is used with the /RECOVER ADD command and specifies that Online Recovery Service will not restore database data sets or areas specified in the command with image copies.

**USER**

A *user* can be a person signed onto a terminal or an ISC subpool. The USER keyword is used with:

- The /NRESTART command to request that user identification verification be in effect at the end of the normal restart.
- Commands that support ISC nodes, in which case the user can be either:
  - A dynamically created ISC user
  - An ISC static user, which is an ISC user defined by the SUBPOOL macro in a system definition.

In this case, the USER keyword refers to a collection of logical terminals that can be allocated to an ISC node and used with parallel sessions. It is valid only for ISC nodes defined with a dynamically allocated set of logical terminals.

When the USER keyword is specified with the NODE keyword, the USER keyword must follow the NODE specification. When the NODE is statically defined, the NODE USER combination can be used only with a command related to an ISC parallel session on that terminal.

- Commands that support dynamic terminals and users, in which case the user is created dynamically and can be ISC or non-ISC. If the term “dynamic user” is used in reference to signing on to a node, the user is a non-ISC user.

In this case, the USER keyword refers to a collection of logical terminals associated with a user ID that can be signed on to an ACF/VTAM node. When specified with the NODE keyword, USER must follow the NODE specification. If the NODE USER descriptor is used to sign on, the USER keyword parameter must be the node name.

- The /DISPLAY command, in which case the user is signed onto a static terminal and is a non-ISC static user.  
The USER keyword refers to a user ID that is defined to an enhanced security product such as RACF. A user ID signed on to a statically defined terminal can be used only as a parameter with the /DISPLAY USER command.

Table 15 shows the commands that support the USER keyword. It also includes commands that support the USER keyword for dynamic users only.

Table 15. Commands That Support the USER Keyword

Commands	Commands for Dynamic Users Only
/ASSIGN	
/BROADCAST	/BROADCAST USER
/CHANGE	
/CLSDST	
/COMPT	
/DEQUEUE	
/DISPLAY	
/END	/END USER
/EXCLUSIVE	/EXCLUSIVE USER
/EXIT	/EXIT CONVERSATION USER
/NRESTART	
/OPNDST	
/QUIESCE	
/RSTART	/RSTART USER
/START	
/STOP	
/TEST	/TEST MFS USER
/TRACE	

**USERD**

Is used with the /OPNDST command to indicate the user descriptor used with the signon.

**USERID**

Is used in the DELETE LE, QUERY LE, and UPDATE LE commands. It is used as a filter to add, delete, or display entries in the Language Environment (LE) runtime parameter override table.

**VGRS**

Is used with the /START and /STOP commands to cause IMS to join or leave a VTAM generic resources group. For the /START command, this keyword also allows you to specify the generic resource name if IMS does not already have one.

**VID**

Is used with the /COMPT and /RCOMPT commands to notify IMS that a display component is either operable or inoperable.

**VOLUME**

Is used with the /TRACE SET ON|OFF TABLE|PI command to specify the volume of tracing to be done: low, medium, or high.

**VTAMPOOL**

Is used with the /ASSIGN USER command to deallocate an entire string of LTERMs defined for a user.

**WADS**

Is used with the /START, /STOP, and /SWITCH commands to add a write-ahead data set (WADS) to the pool of available WADS, to remove one from the pool, or to switch to a new one.

**WPM1**

Is used with the /COMPT and /RCOMPT commands to notify IMS that the word-processing component is either operable or inoperable.

**WPM2**

Is used with the /COMPT and /RCOMPT commands to notify IMS that the word-processing component is either operable or inoperable.

**WPM3**

Is used with the /COMPT and /RCOMPT commands to notify IMS that the word-processing component is either operable or inoperable.

**XRCTrack**

Is used in the /START and /STOP commands. This keyword results in calls to the log router to initiate or terminate XRC tracking. It is only valid on a tracking IMS system.

**XTRC**

Is used with /DISPLAY TRACE to show the XTRC status in order to determine which external trace data set is active, whether the OLDS is used for trace logging, whether XTRC is usable, and the status of the XTRC data sets.



## Part 2. IMS Commands

<b>Chapter 3. /ACTIVATE</b> . . . . .	95
Format . . . . .	95
Environments and Keywords . . . . .	95
Usage . . . . .	95
Examples . . . . .	95
Example 1 for /ACTIVATE Command. . . . .	95
Example 2 for /ACTIVATE Command. . . . .	95
 <b>Chapter 4. /ALLOCATE</b> . . . . .	 97
Format . . . . .	97
Environments and Keywords . . . . .	97
Usage . . . . .	97
 <b>Chapter 5. /ASSIGN</b> . . . . .	 99
Format . . . . .	99
Environments and Keywords . . . . .	100
Usage. . . . .	101
/ASSIGN in an IMSplex . . . . .	102
Keywords and Parameters . . . . .	103
Examples . . . . .	110
Example 1 for /ASSIGN Command . . . . .	110
Example 2 for /ASSIGN Command . . . . .	110
Example 3 for /ASSIGN Command . . . . .	111
Example 4 for /ASSIGN Command . . . . .	111
Example 5 for /ASSIGN Command . . . . .	111
Example 6 for /ASSIGN Command . . . . .	111
Example 7 for /ASSIGN Command . . . . .	112
Example 8 for /ASSIGN Command . . . . .	112
Example 9 for /ASSIGN Command . . . . .	112
Example 10 for /ASSIGN Command. . . . .	112
Example 11 for /ASSIGN Command. . . . .	112
Example 12 for /ASSIGN Command. . . . .	113
Example 13 for /ASSIGN Command. . . . .	113
Example 14 for /ASSIGN Command. . . . .	113
Example 15 for /ASSIGN Command. . . . .	113
Example 16 for /ASSIGN Command. . . . .	113
Example 17 for /ASSIGN Command. . . . .	114
Example 18 for /ASSIGN Command. . . . .	114
Example 19 for /ASSIGN Command. . . . .	114
Example 20 for /ASSIGN Command. . . . .	114
 <b>Chapter 6. /BROADCAST</b> . . . . .	 115
Format . . . . .	115
Environments and Keywords . . . . .	115
Usage. . . . .	116
Examples . . . . .	117
Example 1 for /BROADCAST Command . . . . .	117
Example 2 for /BROADCAST Command . . . . .	118
Example 3 for /BROADCAST Command . . . . .	118
Example 4 for /BROADCAST Command . . . . .	118
Example 5 for /BROADCAST Command . . . . .	118
Example 6 for /BROADCAST Command . . . . .	119
Example 7 for /BROADCAST Command . . . . .	119

<b>Chapter 7. /CANCEL</b>	121
Format	121
Environments	121
Usage.	121
Example for /CANCEL Command	121
<b>Chapter 8. /CHANGE</b>	123
Format	123
Environments and Keywords	124
Usage.	125
Examples	133
Example 1 for /CHANGE Command	133
Example 2 for /CHANGE Command	133
Example 3 for /CHANGE Command	134
Example 4 for /CHANGE Command	134
Example 5 for /CHANGE Command	135
Example 6 for /CHANGE Command	135
Example 7 for /CHANGE Command	135
Example 8 for /CHANGE Command	136
Example 9 for /CHANGE Command	136
Example 10 for /CHANGE Command	136
Example 11 for /CHANGE Command	137
Example 12 for /CHANGE Command	137
<b>Chapter 9. /CHECKPOINT</b>	139
Format	139
Shutdown Checkpoint	139
Simple Checkpoint	139
Statistics Checkpoint	139
Environments and Keywords	139
Usage.	140
Examples	143
Example 1 for /CHECKPOINT Command.	143
Example 2 for /CHECKPOINT Command.	143
Example 3 for /CHECKPOINT Command.	143
Example 4 for /CHECKPOINT Command.	143
Example 5 for /CHECKPOINT Command.	144
Example 6 for /CHECKPOINT Command.	144
<b>Chapter 10. /CLSDST.</b>	145
Format	145
Environments and Keywords	145
Usage.	145
Example for /CLSDST Command.	147
<b>Chapter 11. /COMPT</b>	149
Format	149
Environments and Keywords	149
Usage.	150
Examples	150
Example 1 for /COMPT Command	150
Example 2 for /COMPT Command	150
<b>Chapter 12. /CQCHKPT</b>	153
Format	153
Environments and Keywords	153



Usage. . . . . 153

Examples . . . . . 154

    Example 1 for /CQCHKPT Command . . . . . 154

    Example 2 for /CQCHKPT Command . . . . . 154

**Chapter 13. /CQQUERY . . . . . 155**

Format . . . . . 155

Environments and Keywords . . . . . 155

Usage. . . . . 155

Examples . . . . . 156

    Example 1 for /CQQUERY Command . . . . . 156

    Example 2 for /CQQUERY Command . . . . . 156

**Chapter 14. /CQSET . . . . . 157**

Format . . . . . 157

Environments and Keywords . . . . . 157

Usage. . . . . 157

Example for /CQSET Command . . . . . 158

**Chapter 15. /DBDUMP . . . . . 159**

Format . . . . . 159

Environments and Keywords . . . . . 159

Usage. . . . . 159

Examples . . . . . 161

    Example 1 for /DBDUMP Command . . . . . 161

    Example 2 for /DBDUMP Command . . . . . 162

**Chapter 16. /DBRECOVERY . . . . . 163**

Format . . . . . 163

Environments and Keywords . . . . . 163

Usage. . . . . 163

Examples . . . . . 167

    Example 1 for /DBRECOVERY Command . . . . . 167

    Example 2 for /DBRECOVERY Command . . . . . 167

    Example 3 for /DBRECOVERY Command . . . . . 167

    Example 4 for /DBRECOVERY Command . . . . . 168

**Chapter 17. /DELETE. . . . . 171**

Format . . . . . 171

Environments and Keywords . . . . . 171

Usage. . . . . 172

Examples . . . . . 172

    Example 1 for /DELETE Command . . . . . 172

    Example 2 for /DELETE Command . . . . . 172

**Chapter 18. DELETE . . . . . 175**

Format . . . . . 175

Environments and Keywords . . . . . 175

Usage. . . . . 175

    DELETE LE Output Fields . . . . . 176

    Return, Reason, and Completion Codes for DELETE LE . . . . . 177

Examples . . . . . 177

    Example 1 for DELETE LE Command . . . . . 177

    Example 2 for DELETE LE Command . . . . . 178

**Chapter 19. /DEQUEUE . . . . . 183**

Format . . . . .	183
Environments and Keywords . . . . .	183
Usage. . . . .	184
Examples . . . . .	188
Example 1 for /DEQUEUE Command . . . . .	188
Example 2 for /DEQUEUE Command . . . . .	188
Example 3 for /DEQUEUE Command . . . . .	188
Example 4 for /DEQUEUE Command . . . . .	188
Example 5 for /DEQUEUE Command . . . . .	188
Example 6 for /DEQUEUE Command . . . . .	189
<b>Chapter 20. /DIAGNOSE . . . . .</b>	<b>191</b>
Format . . . . .	191
Environments . . . . .	191
Usage. . . . .	191
Example for /DIAGNOSE Command . . . . .	194
<b>Chapter 21. /DISPLAY . . . . .</b>	<b>195</b>
Format . . . . .	195
Environments and Keywords . . . . .	209
Usage. . . . .	211
/DISPLAY ACTIVE . . . . .	211
/DISPLAY AFFINITY . . . . .	216
/DISPLAY AOITOKEN . . . . .	216
/DISPLAY APPC . . . . .	216
/DISPLAY AREA . . . . .	218
/DISPLAY ASSIGNMENT. . . . .	220
/DISPLAY CCTL . . . . .	221
/DISPLAY CONVERSATION . . . . .	222
/DISPLAY CPLOG . . . . .	223
/DISPLAY CQS . . . . .	223
/DISPLAY DATABASE . . . . .	223
/DISPLAY DATABASE with BKERR . . . . .	225
/DISPLAY DBD . . . . .	226
/DISPLAY DESCRIPTOR. . . . .	226
/DISPLAY FDR . . . . .	226
/DISPLAY FPVIRTUAL . . . . .	227
/DISPLAY HSB . . . . .	228
/DISPLAY HSSP . . . . .	229
/DISPLAY LINE . . . . .	230
/DISPLAY LINK . . . . .	230
/DISPLAY LTERM . . . . .	231
/DISPLAY LUNAME . . . . .	232
/DISPLAY LUNAME INPUT . . . . .	232
/DISPLAY LUNAME OUTPUT . . . . .	233
/DISPLAY LUNAME TPNAME . . . . .	233
/DISPLAY MASTER . . . . .	234
/DISPLAY MODIFY . . . . .	234
/DISPLAY MSNAME . . . . .	239
/DISPLAY NODE. . . . .	239
/DISPLAY OASN SUBSYS . . . . .	242
/DISPLAY OLDS . . . . .	242
/DISPLAY OTMA. . . . .	244
/DISPLAY OVERFLOWQ. . . . .	245
/DISPLAY POOL. . . . .	246
Abbreviations Used in the /DISPLAY POOL Command. . . . .	249

/DISPLAY PROGRAM . . . . .	254
/DISPLAY PSB . . . . .	255
/DISPLAY PTERM . . . . .	255
/DISPLAY Q . . . . .	256
/DISPLAY QCNT . . . . .	256
/DISPLAY RECOVERY . . . . .	258
Recovery List Information . . . . .	259
Recovery Progress Information . . . . .	260
Recovery List Entry Information . . . . .	260
/DISPLAY RTCODE . . . . .	261
/DISPLAY SHUTDOWN STATUS . . . . .	261
/DISPLAY STATUS (With No Keywords) . . . . .	263
/DISPLAY STRUCTURE . . . . .	265
/DISPLAY SUBSYS . . . . .	265
Subsystem Status Terms . . . . .	266
Dependent Region Status Terms . . . . .	266
/DISPLAY SYSID TRANSACTION . . . . .	267
/DISPLAY TIMEOVER . . . . .	267
/DISPLAY TMEMBER . . . . .	267
/DISPLAY TRACE . . . . .	269
/DISPLAY TRACKING STATUS . . . . .	270
/DISPLAY TRACKING STATUS on an Active Subsystem . . . . .	271
/DISPLAY TRACKING STATUS on a Tracking Subsystem . . . . .	273
/DISPLAY TRANSACTION . . . . .	278
/DISPLAY UOR . . . . .	279
/DISPLAY USER . . . . .	280
Examples . . . . .	282
Examples for /DISPLAY ACTIVE Command . . . . .	282
Example for /DISPLAY AFFINITY Command . . . . .	286
Example for /DISPLAY AOITOKEN Command . . . . .	286
Example for /DISPLAY APPC Command . . . . .	286
Examples for /DISPLAY AREA Command . . . . .	287
Examples for /DISPLAY ASSIGNMENT Command . . . . .	288
Examples for /DISPLAY CCTL Command . . . . .	293
Example for /DISPLAY CONVERSATION Command . . . . .	294
Example for /DISPLAY CQS Command . . . . .	296
Examples for /DISPLAY DATABASE Command . . . . .	296
Example for /DISPLAY DBD Command . . . . .	299
Example for /DISPLAY DESCRIPTOR Command . . . . .	299
Example for /DISPLAY FDR Command . . . . .	299
Example for /DISPLAY FPVIRTUAL Command . . . . .	300
Example for /DISPLAY HSB Command . . . . .	301
Example for /DISPLAY HSSP Command . . . . .	302
Example for /DISPLAY LINE Command . . . . .	302
Examples for /DISPLAY LINK Command . . . . .	303
Examples for /DISPLAY LTERM Command . . . . .	304
Example for /DISPLAY LUNAME Command . . . . .	305
Example for /DISPLAY MASTER Command . . . . .	307
Examples for /DISPLAY MODIFY Command . . . . .	307
Example for /DISPLAY MSNAME Command . . . . .	310
Examples for /DISPLAY NODE Command . . . . .	311
Example for /DISPLAY OASN Command . . . . .	316
Example for /DISPLAY OLDS Command . . . . .	316
Examples for /DISPLAY OTMA Command . . . . .	316
Example for /DISPLAY OVERFLOWQ Command . . . . .	316
Examples for /DISPLAY POOL Command . . . . .	317

2

Example for /DISPLAY PROGRAM Command . . . . .	325
Example for /DISPLAY PSB Command . . . . .	326
Example for /DISPLAY PTERM Command . . . . .	327
Examples for /DISPLAY Q Command . . . . .	327
Example for /DISPLAY QCNT Command . . . . .	329
Examples for /DISPLAY RECOVERY Command . . . . .	330
Example for /DISPLAY RTCODE Command . . . . .	333
Examples of /DISPLAY SHUTDOWN STATUS Command . . . . .	333
Examples for /DISPLAY STATUS Command . . . . .	335
Example for /DISPLAY STRUCTURE Command . . . . .	338
Examples for /DISPLAY SUBSYS Command . . . . .	338
Example for /DISPLAY SYSID Command . . . . .	338
Example for /DISPLAY TIMEOVER Command . . . . .	339
Examples for /DISPLAY TMEMBER Command . . . . .	339
Examples for /DISPLAY TRACE Command . . . . .	339
Examples for /DISPLAY TRACKING STATUS Command . . . . .	344
Examples for /DISPLAY TRANSACTION Command . . . . .	346
Example for /DISPLAY UOR Command . . . . .	347
Examples for /DISPLAY USER Command . . . . .	348
<b>Chapter 22. /END . . . . .</b>	<b>351</b>
Format . . . . .	351
Environments and Keywords . . . . .	351
Usage. . . . .	351
Example for /END Command . . . . .	352
<b>Chapter 23. /ERESTART . . . . .</b>	<b>353</b>
Format . . . . .	353
Manual Restart of an XRF Alternate System . . . . .	353
Restart of IMS Following Loss of Virtual Storage Only . . . . .	353
Restart of IMS Following Loss of Virtual Storage and Message Queue Data Set Integrity. . . . .	353
Restart of IMS Following /ERESTART Failure of the Database Component	353
Restart of IMS Following /ERESTART Failure of Communication Component	353
Restart of IMS Following /ERESTART Failure of Both the Database and Communication Components . . . . .	354
Environments and Keywords . . . . .	354
Usage. . . . .	355
Examples . . . . .	361
Example 1 for /ERESTART Command . . . . .	361
Example 2 for /ERESTART Command . . . . .	361
Example 3 for /ERESTART Command . . . . .	362
Example 4 for /ERESTART Command . . . . .	362
Example 5 for /ERESTART Command . . . . .	362
<b>Chapter 24. /EXCLUSIVE . . . . .</b>	<b>365</b>
Format . . . . .	365
Environments and Keywords . . . . .	365
Usage. . . . .	365
Examples . . . . .	366
Example 1 for /EXCLUSIVE Command . . . . .	366
Example 2 for /EXCLUSIVE Command . . . . .	366
<b>Chapter 25. /EXIT . . . . .</b>	<b>367</b>
Format . . . . .	367
Environments and Keywords . . . . .	367

Usage. . . . . 367

Examples . . . . . 368

    Example 1 for /EXIT Command . . . . . 368

    Example 2 for /EXIT Command . . . . . 368

    Example 3 for /EXIT Command . . . . . 368

    Example 4 for /EXIT Command . . . . . 369

    Example 5 for /EXIT Command . . . . . 369

**Chapter 26. /FORMAT . . . . . 371**

Format . . . . . 371

Environments and Keywords . . . . . 371

Usage. . . . . 371

Example for /FORMAT Command . . . . . 372

**Chapter 27. /HOLD. . . . . 373**

Format . . . . . 373

Environments . . . . . 373

Usage. . . . . 373

Example for /HOLD Command . . . . . 373

**Chapter 28. /IAM . . . . . 375**

Format . . . . . 375

Environments and Keywords . . . . . 375

Usage. . . . . 375

Examples . . . . . 376

    Example 1 for /IAM Command. . . . . 376

    Example 2 for /IAM Command. . . . . 376

    Example 3 for /IAM Command. . . . . 376

**Chapter 29. /IDLE . . . . . 377**

Format . . . . . 377

Environments and Keywords . . . . . 377

Usage. . . . . 377

Examples . . . . . 379

    Example 1 for /IDLE Command . . . . . 379

    Example 2 for /IDLE Command . . . . . 379

    Example 3 for /IDLE Command . . . . . 379

    Example 4 for /IDLE Command . . . . . 379

**Chapter 30. /LOCK. . . . . 381**

Format . . . . . 381

Environments and Keywords . . . . . 381

Usage. . . . . 381

Examples . . . . . 383

    Example 1 for /LOCK Command . . . . . 383

    Example 2 for /LOCK Command . . . . . 383

    Example 3 for /LOCK Command . . . . . 383

    Example 4 for /LOCK Command . . . . . 384

    Example 5 for /LOCK Command . . . . . 384

**Chapter 31. INITIATE . . . . . 385**

Format . . . . . 385

Environments and Keywords . . . . . 385

INITIATE OLC. . . . . 386

    INITIATE OLC Output Fields . . . . . 392

    INITIATE Return and Reason Codes . . . . . 394

INITIATE Completion Codes . . . . .	397
Examples for INITIATE OLC Command . . . . .	409
<b>Chapter 32. /LOG . . . . .</b>	<b>413</b>
Format . . . . .	413
Environments . . . . .	413
Usage. . . . .	413
Example for /LOG Command . . . . .	413
<b>Chapter 33. /LOOPTEST . . . . .</b>	<b>415</b>
Format . . . . .	415
Environments and Keywords . . . . .	415
Usage. . . . .	415
Example for /LOOPTEST Command . . . . .	415
<b>Chapter 34. /MODIFY . . . . .</b>	<b>417</b>
Format . . . . .	417
Environments and Keywords . . . . .	417
Usage. . . . .	417
Examples . . . . .	421
Example 1 for /MODIFY Command . . . . .	421
Example 2 for /MODIFY Command . . . . .	422
Example 3 for /MODIFY Command . . . . .	422
<b>Chapter 35. /MONITOR . . . . .</b>	<b>425</b>
Format . . . . .	425
Environments and Keywords . . . . .	425
Usage. . . . .	425
Example for /MONITOR Command . . . . .	425
<b>Chapter 36. /MSASSIGN . . . . .</b>	<b>427</b>
Format . . . . .	427
Environments and Keywords . . . . .	427
Usage. . . . .	427
Examples . . . . .	428
Example 1 for /MSASSIGN Command . . . . .	428
Example 2 for /MSASSIGN Command . . . . .	429
Example 3 for /MSASSIGN Command . . . . .	429
Example 4 for /MSASSIGN Command . . . . .	429
<b>Chapter 37. /MSVERIFY . . . . .</b>	<b>431</b>
Format . . . . .	431
Environments and Keywords . . . . .	431
Usage. . . . .	431
Examples . . . . .	431
Example 1 for /MSVERIFY Command . . . . .	431
Example 2 for /MSVERIFY Command . . . . .	432
<b>Chapter 38. /NRESTART . . . . .</b>	<b>435</b>
Format . . . . .	435
Environments and Keywords . . . . .	437
Usage. . . . .	437
Examples . . . . .	442
Example 1 for /NRESTART Command . . . . .	442
Example 2 for /NRESTART Command . . . . .	442
Example 3 for /NRESTART Command . . . . .	443

Example 4 for /NRESTART Command . . . . . 443

Example 5 for /NRESTART Command . . . . . 443

Example 6 for /NRESTART Command . . . . . 443

Example 7 for /NRESTART Command . . . . . 444

Example 8 for /NRESTART Command . . . . . 444

Example 9 for /NRESTART Command . . . . . 444

**Chapter 39. /OPNDST . . . . . 447**

Format . . . . . 447

Environments and Keywords . . . . . 447

Usage. . . . . 448

Examples . . . . . 450

    Example 1 for /OPNDST Command . . . . . 450

    Example 2 for /OPNDST Command . . . . . 451

    Example 3 for /OPNDST Command . . . . . 451

    Example 4 for /OPNDST Command . . . . . 451

    Example 5 for /OPNDST Command . . . . . 451

**Chapter 40. /PSTOP . . . . . 453**

Format . . . . . 453

Environments and Keywords . . . . . 453

Usage. . . . . 454

Examples . . . . . 456

    Example 1 for /PSTOP Command . . . . . 456

    Example 2 for /PSTOP Command . . . . . 457

    Example 3 for /PSTOP Command . . . . . 457

    Example 4 for /PSTOP Command . . . . . 457

    Example 5 for /PSTOP Command . . . . . 458

    Example 6 for /PSTOP Command . . . . . 458

    Example 7 for /PSTOP Command . . . . . 458

    Example 8 for /PSTOP Command . . . . . 458

    Example 9 for /PSTOP Command . . . . . 458

    Example 10 for /PSTOP Command . . . . . 459

    Example 11 for /PSTOP Command . . . . . 459

    Example 12 for /PSTOP Command . . . . . 459

    Example 13 for /PSTOP Command . . . . . 459

    Example 14 for /PSTOP Command . . . . . 460

**Chapter 41. /PURGE . . . . . 461**

Format . . . . . 461

Environments and Keywords . . . . . 461

Usage. . . . . 462

Examples . . . . . 463

    Example 1 for /PURGE Command . . . . . 463

    Example 2 for /PURGE Command . . . . . 463

    Example 3 for /PURGE Command . . . . . 463

    Example 4 for /PURGE Command . . . . . 464

    Example 5 for /PURGE Command . . . . . 464

    Example 6 for /PURGE Command . . . . . 464

    Example 7 for /PURGE Command . . . . . 464

**Chapter 42. QUERY . . . . . 465**

Format . . . . . 465

Environments and Keywords . . . . . 468

QUERY AREA . . . . . 470

    QUERY AREA Output Fields . . . . . 471

|  
|

I	QUERY AREA STATUS . . . . .	473
I	Return, Reason, and Completion Codes for the QUERY AREA Command	474
I	QUERY AREA Compared to Other Commands . . . . .	475
I	Examples for QUERY AREA Command . . . . .	475
I	QUERY DB. . . . .	478
I	QUERY DB Output Fields . . . . .	479
I	QUERY DB Status . . . . .	480
I	Return, Reason, and Completion Codes for the QUERY DB Command	481
I	QUERY DB Compared to Other Commands. . . . .	482
I	Examples for QUERY DB Command . . . . .	482
	QUERY IMSPLEX . . . . .	487
	QUERY IMSPLEX Output Fields . . . . .	489
	QUERY IMSPLEX Status . . . . .	489
	QUERY IMSPLEX Types. . . . .	490
	QUERY IMSPLEX Subtypes . . . . .	490
	Return, Reason, and Completion Codes for QUERY IMSPLEX. . . . .	492
	Examples for QUERY IMSPLEX Command . . . . .	493
	QUERY LE. . . . .	495
	QUERY LE Output Fields . . . . .	496
	Return, Reason, and Completion Codes for QUERY LE . . . . .	497
	Examples for QUERY LE Command . . . . .	497
	QUERY MEMBER . . . . .	501
	QUERY MEMBER Output Fields . . . . .	502
	QUERY MEMBER Attributes . . . . .	503
	QUERY MEMBER Status . . . . .	503
	Return, Reason, and Completion Codes for QUERY MEMBER. . . . .	506
	Examples for QUERY MEMBER Command . . . . .	506
	QUERY OLC . . . . .	509
	QUERY OLC Output Fields . . . . .	510
	Return, Reason, and Completion Codes for QUERY OLC. . . . .	512
	Examples for QUERY OLC Command . . . . .	514
	QUERY STRUCTURE. . . . .	516
	QUERY STRUCTURE Output Fields . . . . .	516
	Return, Reason, and Completion Codes for QUERY STRUCTURE . . . . .	518
	Example for QUERY STRUCTURE . . . . .	519
	QUERY TRAN . . . . .	520
	QUERY TRAN Compared to Other Commands . . . . .	524
	QUERY TRAN Output Fields . . . . .	524
	Return, Reason, and Completion Codes for QUERY TRAN . . . . .	527
	Examples for QUERY TRAN Command . . . . .	529
	<b>Chapter 43. /QUIESCE . . . . .</b>	<b>537</b>
	Format . . . . .	537
	Environments and Keywords . . . . .	537
	Usage. . . . .	537
	Example for /QUIESCE Command . . . . .	538
	<b>Chapter 44. /RCLSDST . . . . .</b>	<b>539</b>
	Format . . . . .	539
	Environments . . . . .	539
	Usage. . . . .	539
	Example for /RCLSDST Command . . . . .	540
	<b>Chapter 45. /RCOMPT . . . . .</b>	<b>541</b>
	Format . . . . .	541
	Environments and Keywords . . . . .	541



Usage. . . . .	541
Example for /RCOMPT Command . . . . .	542
<b>Chapter 46. /RDISPLAY . . . . .</b>	<b>543</b>
Format . . . . .	543
Environments . . . . .	543
Usage. . . . .	543
Examples . . . . .	543
Example 1 for /RDISPLAY Command . . . . .	543
Example 2 for /RDISPLAY Command . . . . .	543
<b>Chapter 47. /RECOVER . . . . .</b>	<b>545</b>
Format . . . . .	545
Environments and Keywords . . . . .	546
Usage. . . . .	547
/RECOVER ADD. . . . .	547
/RECOVER REMOVE. . . . .	550
/RECOVER START. . . . .	552
/RECOVER STOP . . . . .	554
/RECOVER TERMINATE. . . . .	555
Examples . . . . .	556
Examples for /RECOVER ADD Commands . . . . .	556
Examples for /RECOVER REMOVE Command . . . . .	557
Examples for /RECOVER START Command . . . . .	558
Examples for /RECOVER STOP Command . . . . .	560
Example for /RECOVER TERMINATE Command . . . . .	560
<b>Chapter 48. /RELEASE . . . . .</b>	<b>561</b>
Format . . . . .	561
Environments and Keywords . . . . .	561
Usage. . . . .	561
Example for /RELEASE Command . . . . .	561
<b>Chapter 49. /RESET . . . . .</b>	<b>563</b>
Format . . . . .	563
Environments . . . . .	563
Usage. . . . .	563
Example for /RESET Command . . . . .	563
<b>Chapter 50. /RMxxxxxx . . . . .</b>	<b>565</b>
Format . . . . .	565
Environments and Keywords . . . . .	565
Usage. . . . .	565
Examples . . . . .	567
Example for /RMCHANGE Command . . . . .	567
Example for /RMDELETE Command . . . . .	568
Example for /RMGENJCL Command . . . . .	568
Example for /RMINIT Command . . . . .	568
Example for /RMLIST Command . . . . .	569
Example for /RMNOTIFY Command . . . . .	571
<b>Chapter 51. /RSTART. . . . .</b>	<b>573</b>
Format . . . . .	573
Environments and Keywords . . . . .	573
Usage. . . . .	574
Examples . . . . .	576

Example 1 for /RSTART Command . . . . .	576
Example 2 for /RSTART Command . . . . .	576
Example 3 for /RSTART Command . . . . .	576
Example 4 for /RSTART Command . . . . .	576
Example 5 for /RSTART Command . . . . .	577
Example 6 for /RSTART Command . . . . .	577
Example 7 for /RSTART Command . . . . .	577
Example 8 for /RSTART Command . . . . .	577
<b>Chapter 52. /RTAKEOVER . . . . .</b>	<b>579</b>
Format . . . . .	579
/RTAKEOVER for an Active Subsystem . . . . .	579
/RTAKEOVER for a Tracking Subsystem . . . . .	579
Environments and Keywords . . . . .	579
Usage. . . . .	579
/RTAKEOVER for an Active Subsystem . . . . .	579
/RTAKEOVER for a Tracking Subsystem . . . . .	580
Examples . . . . .	580
Example for /RTAKEOVER Command at Active Site. . . . .	580
Example for /RTAKEOVER DUMPQ at Active Site . . . . .	581
Example for /RTAKEOVER UNPLAN at Remote Site . . . . .	581
<b>Chapter 53. /SECURE . . . . .</b>	<b>583</b>
Format . . . . .	583
Environments and Keywords . . . . .	583
Usage. . . . .	583
Examples . . . . .	584
Example 1 for /SECURE Command. . . . .	584
Example 2 for /SECURE Command. . . . .	585
<b>Chapter 54. /SET . . . . .</b>	<b>587</b>
Format . . . . .	587
Environments and Keywords . . . . .	587
Usage. . . . .	587
Examples . . . . .	588
Example 1 for /SET Command . . . . .	588
Example 2 for /SET Command . . . . .	588
Example 3 for /SET Command . . . . .	588
<b>Chapter 55. /SIGN . . . . .</b>	<b>591</b>
Format . . . . .	591
Environments . . . . .	591
Usage. . . . .	591
Examples . . . . .	594
Example 1 for /SIGN Command . . . . .	594
Example 2 for /SIGN Command . . . . .	594
Example 3 for /SIGN Command . . . . .	595
<b>Chapter 56. /SMCOPY . . . . .</b>	<b>597</b>
Format . . . . .	597
Environments and Keywords . . . . .	597
Usage. . . . .	597
Example for /SMCOPY Command . . . . .	598
<b>Chapter 57. /SSR . . . . .</b>	<b>599</b>
Format . . . . .	599

Environments . . . . . 599  
 Usage. . . . . 599  
 Example for /SSR Command . . . . . 599

**Chapter 58. /START . . . . . 601**  
 Format . . . . . 601  
 Environments and Keywords . . . . . 604  
 Usage. . . . . 605  
 Examples . . . . . 620  
     Example 1 for /START Command . . . . . 620  
     Example 2 for /START Command . . . . . 620  
     Example 3 for /START Command . . . . . 620  
     Example 4 for /START Command . . . . . 622  
     Example 5 for /START Command . . . . . 622  
     Example 6 for /START Command . . . . . 622  
     Example 7 for /START Command . . . . . 622  
     Example 8 for /START Command . . . . . 622  
     Example 9 for /START Command . . . . . 623  
     Example 10 for /START Command . . . . . 623  
     Example 11 for /START Command . . . . . 623  
     Example 12 for /START Command . . . . . 623  
     Example 13 for /START Command . . . . . 623  
     Example 14 for /START Command . . . . . 624  
     Example 15 for /START Command . . . . . 624  
     Example 16 for /START Command . . . . . 624  
     Example 17 for /START Command . . . . . 624  
     Example 18 for /START Command . . . . . 624  
     Example 19 for /START Command . . . . . 625  
     Example 20 for /START Command . . . . . 625  
     Example 21 for /START Command . . . . . 625  
     Example 22 for /START Command . . . . . 626  
     Example 23 for /START Command . . . . . 626  
     Example 24 for /START Command . . . . . 626  
     Example 25 for /START Command . . . . . 626  
     Example 26 for /START Command . . . . . 627

**Chapter 59. /STOP . . . . . 629**  
 Format . . . . . 629  
     Environments and Keywords . . . . . 631  
 Usage. . . . . 632  
 Examples . . . . . 644  
     Example 1 for /STOP Command . . . . . 644  
     Example 2 for /STOP Command . . . . . 644  
     Example 3 for /STOP Command . . . . . 644  
     Example 4 for /STOP Command . . . . . 644  
     Example 5 for /STOP Command . . . . . 644  
     Example 6 for /STOP Command . . . . . 645  
     Example 7 for /STOP Command . . . . . 646  
     Example 8 for /STOP Command . . . . . 646  
     Example 9 for /STOP Command . . . . . 646  
     Example 10 for /STOP Command . . . . . 646  
     Example 11 for /STOP Command . . . . . 647  
     Example 12 for /STOP Command . . . . . 647  
     Example 13 for /STOP Command . . . . . 647  
     Example 14 for /STOP Command . . . . . 647  
     Example 15 for /STOP Command . . . . . 647

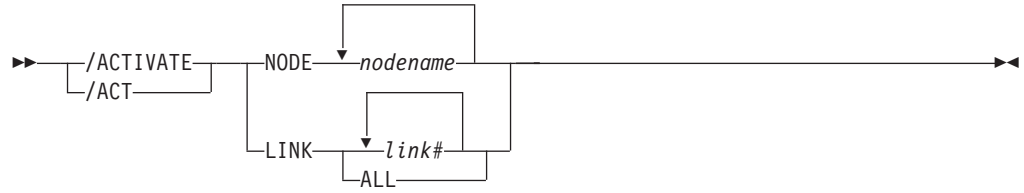
Example 16 for /STOP Command . . . . .	648
Example 17 for /STOP Command . . . . .	648
Example 18 for /STOP Command . . . . .	649
Example 19 for /STOP Command . . . . .	650
Example 20 for /STOP Command . . . . .	651
Example 21 for /STOP Command . . . . .	652
Example 22 for /STOP Command . . . . .	652
Example 23 for /STOP Command . . . . .	653
Example 24 for /STOP Command . . . . .	653
Example 25 for /STOP Command . . . . .	653
Example 26 for /STOP Command . . . . .	654
Example 27 for /STOP Command . . . . .	654
Example 28 for /STOP Command . . . . .	655
Example 29 for /STOP Command . . . . .	655
Example 30 for /STOP Command . . . . .	655
Example 31 for /STOP Command . . . . .	656
Example 32 for /STOP Command . . . . .	656
<b>Chapter 60. /SWITCH . . . . .</b>	<b>657</b>
Format . . . . .	657
/SWITCH for an Active XRF Subsystem . . . . .	657
/SWITCH for an Alternate XRF Subsystem . . . . .	657
Environments and Keywords . . . . .	657
Usage. . . . .	657
Examples . . . . .	658
Example 1 for /SWITCH Command . . . . .	658
Example 2 for /SWITCH Command . . . . .	659
<b>Chapter 61. TERMINATE . . . . .</b>	<b>661</b>
Format . . . . .	661
Environments and Keywords . . . . .	661
TERMINATE OLC . . . . .	661
TERMINATE OLC Output Fields . . . . .	662
Return, Reason, and Completion Codes for TERMINATE OLC . . . . .	663
TERMINATE OLC Error Handling . . . . .	666
Example for TERMINATE OLC Command . . . . .	670
<b>Chapter 62. /TEST . . . . .</b>	<b>673</b>
Format . . . . .	673
Environments and Keywords . . . . .	673
Usage. . . . .	673
Examples . . . . .	675
Example 1 for /TEST Command . . . . .	675
Example 2 for /TEST Command . . . . .	675
<b>Chapter 63. /TRACE . . . . .</b>	<b>677</b>
Format . . . . .	677
Environments and Keywords . . . . .	680
Usage. . . . .	681
Examples . . . . .	693
Example 1 for /TRACE Command . . . . .	693
Example 2 for /TRACE Command . . . . .	694
Example 3 for /TRACE Command . . . . .	694
Example 4 for /TRACE Command . . . . .	694
Example 5 for /TRACE Command . . . . .	695
Example 6 for /TRACE Command . . . . .	695

	Example 7 for /TRACE Command . . . . .	695
	Example 8 for /TRACE Command . . . . .	695
	Example 9 for /TRACE Command . . . . .	695
	Example 10 for /TRACE Command . . . . .	696
	Example 11 for /TRACE Command . . . . .	696
	Example 12 for /TRACE Command . . . . .	696
	Example 13 for /TRACE Command . . . . .	696
	Example 14 for /TRACE Command . . . . .	697
	<b>Chapter 64. /UNLOCK . . . . .</b>	<b>699</b>
	Format . . . . .	699
	Environments and Keywords . . . . .	699
	Usage. . . . .	699
	Examples . . . . .	701
	Example 1 for /UNLOCK Command. . . . .	701
	Example 2 for /UNLOCK Command. . . . .	701
	Example 3 for /UNLOCK Command. . . . .	701
	Example 4 for /UNLOCK Command. . . . .	702
	Example 5 for /UNLOCK Command. . . . .	702
	<b>Chapter 65. UPDATE . . . . .</b>	<b>705</b>
	Format . . . . .	705
	Environments and Keywords . . . . .	707
2	UPDATE AREA . . . . .	709
2	UPDATE AREA Output Fields . . . . .	711
2	Return, Reason, and Completion Codes for UPDATE AREA . . . . .	711
2	The UPDATE AREA Command Compared to Other Commands . . . . .	714
2	Examples for UPDATE AREA Command . . . . .	714
1	UPDATE DATAGRP . . . . .	716
1	UPDATE DATAGRP Output Fields . . . . .	718
1	Return, Reason, and Completion Codes for the UPDATE DATAGRP Command . . . . .	719
1	UPDATE DATAGRP Compared to Other Commands . . . . .	720
1	Examples for UPDATE DATAGRP Command . . . . .	721
1	UPDATE DB . . . . .	723
1	UPDATE DB Output Fields . . . . .	729
1	Return, Reason, and Completion Codes for the UPDATE DB Command . . . . .	729
1	UPDATE DB Compared to Other Commands . . . . .	734
1	Examples for UPDATE DB Command . . . . .	735
	UPDATE LE . . . . .	738
	UPDATE LE Output Fields . . . . .	739
	Return, Reason, and Completion Codes for UPDATE LE . . . . .	740
	Examples for UPDATE LE Command . . . . .	740
	UPDATE TRAN . . . . .	742
2	UPDATE TRAN Output Fields . . . . .	745
	Return, Reason, and Completion Codes for UPDATE TRAN. . . . .	745
	UPDATE TRAN Compared to Other Commands . . . . .	747
	Example 1 for UPDATE TRAN Command . . . . .	748
	<b>Chapter 66. /UNLOAD . . . . .</b>	<b>751</b>
	Format . . . . .	751
	Environments and Keywords . . . . .	751
	Usage. . . . .	751
1	Example for /UNLOAD Command . . . . .	752



## Chapter 3. /ACTIVATE

### Format



### Environments and Keywords

Table 16 lists the environments (DB/DC, DBCTL, and DCCTL) from which the command and keywords can be issued.

Table 16. Valid Environments for the /ACTIVATE Command and Keywords

Command / Keywords	DB/DC	DBCTL	DCCTL
/ACTIVATE	X		X
LINK	X		X
NODE	X		X

### Usage

/ACTIVATE is used to activate VTAM nodes or MSC links with a VTAM "VARY NET, ACTIVE" command. /ACTIVATE can also be used to undo the conditions set by the /IDLE command. /ACTIVATE is used with the IMS VTAM I/O Timeout Detection Facility.

#### LINK

Specifies the MSC links to be activated.

#### NODE

Specifies the VTAM nodes to be activated.

### Examples

#### Example 1 for /ACTIVATE Command

Entry ET:

```
/ACTIVATE LINK 1
```

Response ET:

```
DFS058I ACTIVATE COMMAND COMPLETED
```

Explanation: Link 1 has been activated.

#### Example 2 for /ACTIVATE Command

Entry ET:

```
/ACTIVATE NODE ABC
```

Response ET:

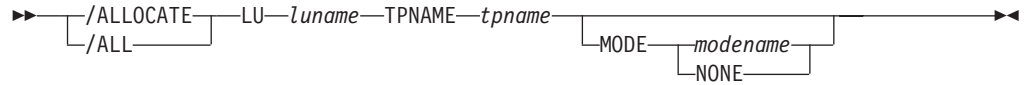
```
DFS058I  ACTIVATE COMMAND COMPLETED
```

Explanation: Node ABC has been activated.



## Chapter 4. /ALLOCATE

### Format



### Environments and Keywords

Table 17 lists the environments (DB/DC, DBCTL, and DCCTL) from which the command and keywords can be issued.

Table 17. Valid Environments for the /ALLOCATE Command and Keywords

Command / Keywords	DB/DC	DBCTL	DCCTL
/ALLOCATE	X		X
LU	X		X
MODE	X		X
TPNAME	X		X

### Usage

/ALLOCATE is a multisegment command similar to the /OPNDST command for VTAM terminals. It causes IMS to allocate a conversation to the specified LUNAME and TPNAME if any output is queued in IMS for that destination. If no such output exists, the command has no effect and (in a nonshared-queues environment) an error message is issued.

The /ALLOCATE command is used for delivering asynchronous output when the LU 6.2 device is available. The command can be originated by the remote LU 6.2 device for this purpose.

/ALLOCATE requires an end-of-message (EOM) indicator. An end-of-segment (EOS) indicator must be included for all segments preceding the last segment. For more information, see "Multisegment Command Input" on page 8

After the syntax checking of the /ALLOCATE command is successfully completed, the DFS058 ALLOCATE COMMAND COMPLETED message is issued and processing of the command continues asynchronously.

#### LU

Specifies the LU name of the LU 6.2 application program that is to be allocated. A network-qualified LU name is optional for the LUNAME keyword

#### MODE

identifies the LOGON MODE table entry that VTAM uses to determine the session operating characteristics. NONE, which can be used as a MODE keyword parameter, resets the MODE field to its null state.

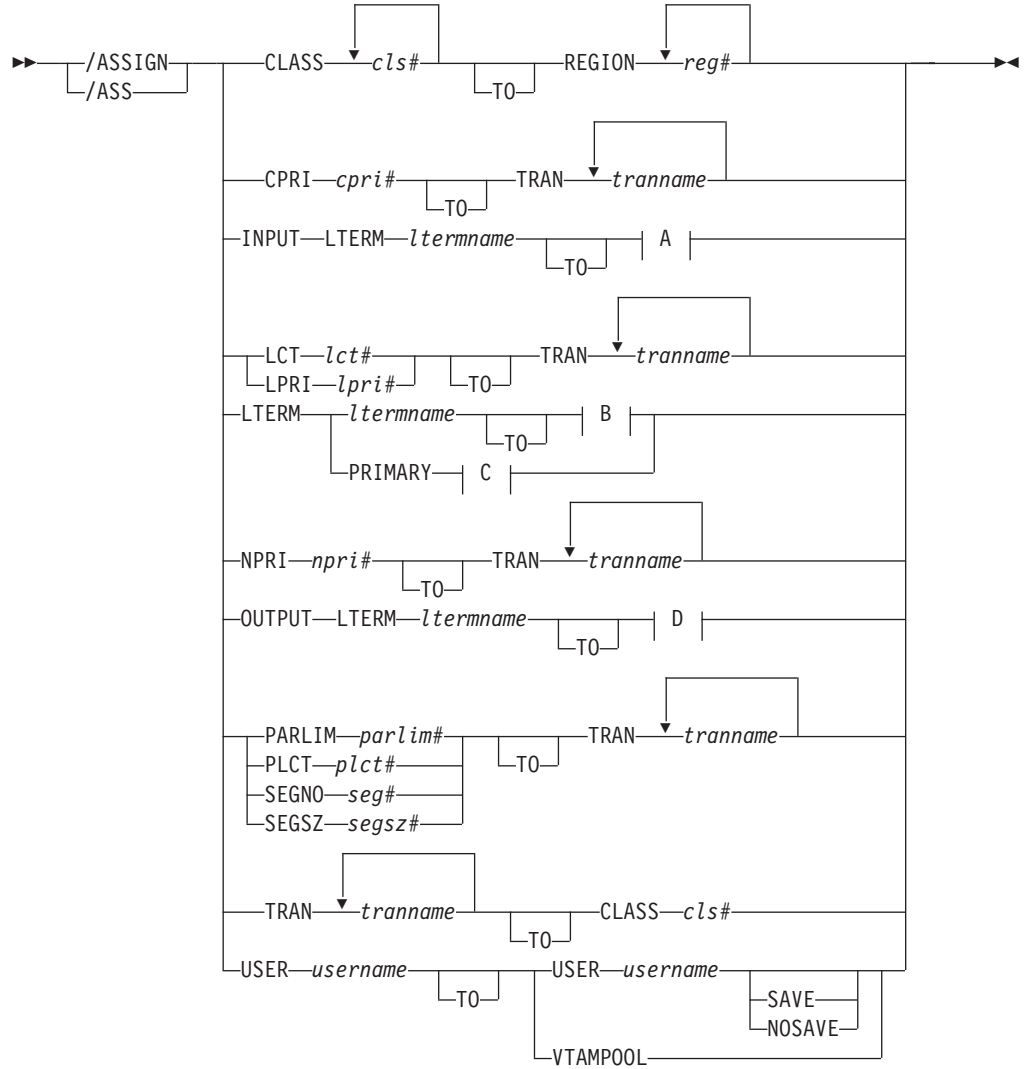
For more information on the MODE value, see *IMS Version 9: Administration Guide: Transaction Manager*.

**TPNAME**

Specifies the TP name of the LU 6.2 application program that is to be allocated.

# Chapter 5. /ASSIGN

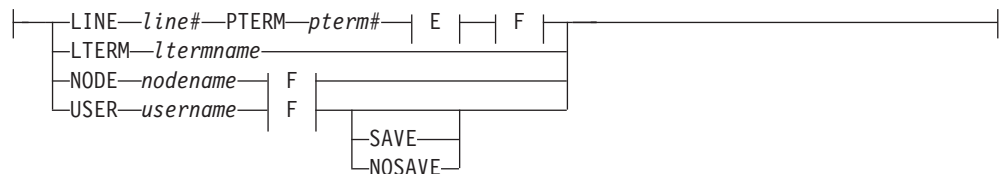
## Format

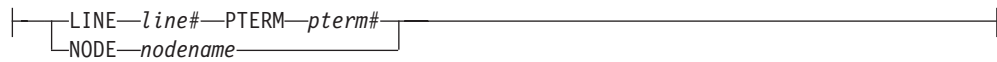
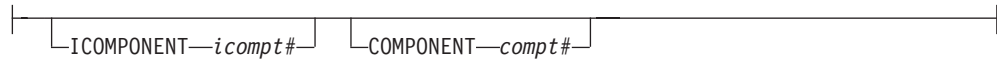


**A:**



**B:**



**C:****D:****E:****F:**

## Environments and Keywords

Table 18 lists the environments (DB/DC, DBCTL, and DCCTL) from which the command and keywords can be issued.

Table 18. Valid Environments for the /ASSIGN Command and Keywords

Command / Keywords	DB/DC	DBCTL	DCCTL
/ASSIGN	X		X
CLASS	X		X
COMPONENT	X		X
CPRI	X		X
ICOMPONENT	X		X
INPUT	X		X
LINE	X		X
LCT	X		X
LPRI	X		X
LTERM	X		X
NODE	X		X
NOSAVE	X		X
NPRI	X		X
OUTPUT	X		X
PARLIM	X		X
PLCT	X		X
PTERM	X		X
REGION	X		X

Table 18. Valid Environments for the /ASSIGN Command and Keywords (continued)

Command / Keywords	DB/DC	DBCTL	DCCTL
SAVE	X		X
SEGNO	X		X
SEGSZ	X		X
TRAN	X		X
USER	X		X
VTAMPOOL	X		X

---

## Usage

/ASSIGN alters the relationships between various IMS resources and resets certain values specified during IMS system definition.

Most changes made by the /ASSIGN command remain in effect until changed with another /ASSIGN command, or an IMS cold start (/NRESTART CHECKPOINT 0) is performed.

When dynamic LTERMs are assigned to dynamic users with the /ASSIGN LTERM TO USER command, or dynamic users are assigned to dynamic users with the /ASSIGN USER TO USER command, changes remain in effect only if the following conditions are true:

- The SAVE keyword is used.
- SAVE and NOSAVE keywords are omitted, but ASSNCHANGE=SAVE is specified in the DFSDCxxx PROCLIB member.

Otherwise, changes are lost when the destination user is deleted during user sign-off or IMS checkpoint.

Changes that affect regions, such as CLASS, are only in effect until the region terminates. For information on changing multiple systems assignments, see Chapter 36, "/MSASSIGN," on page 427

**Recommendation:** Use the /ASSIGN command consistently on all IMS subsystems that are members of a VTAM generic resources group or share IMS queues. For example, assign an LTERM to a specific node for all IMS subsystems; assigning one LTERM to different nodes on different IMS subsystems could cause unpredictable results.

The /ASSIGN command is mirrored on an XRF alternate environment unless the assignment involves the primary or secondary master terminal, or the assignment of a CLASS to a REGION.

/ASSIGN commands attempting to assign LTERMs or users between static and dynamic terminals receive a unique error message. An error message is issued if /ASSIGN attempts any of the following

- To assign a dynamic LTERM to a static USER.
- To assign a static USER to a dynamic USER.
- To assign a dynamic USER to a static USER.
- To assign a dynamic LTERM to a LINE or NODE.
- To assign a static LTERM to a dynamic USER.

**Restriction:** You cannot use the /ASSIGN command to assign a user structure to a node that does not exist. Use the /OPN NODE nodename USER username command instead.

## /ASSIGN in an IMSplex

In an IMSplex, the /ASSIGN LTERM and /ASSIGN USER commands alter the relationships between one or more logical terminals and a physical terminal or user.

### Static Terminals

For static terminals in an IMSplex, the control blocks should exist in all the IMS systems where a user could possibly log on to that terminal. If /ASSIGN LTERM TO NODE is specified in an IMSplex, it should be issued from the Single Point Of Control (SPOC) application. If ROUTE is specified, it should be specified as ROUTE(\*). Otherwise, the /ASSIGN command may not be processed consistently across the IMSplex and could cause unpredictable results. If one of the /ASSIGN commands fails, that IMS will send back a completion code to the Operations Manager (OM) indicating failure. It will be up to the IMS installation to correct that problem.

/ASSIGN LTERM TO NODE assigns the input and output capabilities of a logical terminal to a static VTAM node. The logical terminal may not be in conversational, response, or preset destination mode. The source and destination terminals do not need to be stopped or logged off.

If global resource information is not kept in the Resource Manager (RM) and the node exists locally, this command applies locally. If global resource information is kept in RM, this command applies globally, if the control blocks exist in RM. However, the assignment changes are not considered significant, and if the resource is deleted, the assignment changes are deleted as well. An LTERM that exists in the RM could be deleted if the static node to which it is assigned does not exist in the RM. If NODEA and LTERMA exist in the RM because the node is in exclusive mode, but static NODEB is not in RM, an /ASSIGN LTERM LTERMA NODE NODEB command would result in LTERMA being deleted in RM.

The IMS where the LTERM and node are active, or the command master if the resources are not active, will make the changes in the RM. In this case, "active" includes the case where the terminal is logged off, but has an RM affinity to a particular IMS. For /ASSIGN LTERM TO NODE, the LTERM and node might not be active in different IMSs.

When the log on of a static node attempts to write its LTERM names to the RM, but one or more of the LTERM names are already in use, IMS will reject the log on. This error should occur only if there are inconsistent definitions, or there have been inconsistent /ASSIGN commands issued in the IMSplex.

### Dynamic Terminals

/ASSIGN LTERM TO USER assigns the input and output capabilities of an ETO logical terminal to an ETO user or a static ISC logical terminal to a static ISC subpool. The logical terminal may not be in conversational, response, or preset destination mode. The source user associated with the ETO LTERM might not be signed on. The destination ETO user does not have to be stopped. If global resource information is not kept in RM and the user exists locally, this command applies locally. If global resource information is kept in RM, this command applies globally (if the control blocks exist in RM). However, the assignment changes are not considered significant, and if the resource is deleted, the assignment changes are deleted as well. The IMS where the LTERM and node are active, or the command master if the resources are not active, will make the changes in the RM.

Use /ASSIGN LTERM TO USER with the SAVE keyword in an RM environment, to cause the assignment to persist and to apply the change to future IMSs that join the IMSplex. The SAVE keyword is valid only for dynamic terminals, so this persistence function is not available for static terminals. Use /ASSIGN LTERM TO USER with the NOSAVE keyword in an RM environment, to stop applying the change to future IMSs that join the IMSplex.

/ASSIGN USER TO USER assigns all the logical terminals associated with the source user to the destination user. The destination user, if dynamic, does not have to be stopped. If global resource information is not kept in RM and the user exists locally, this command applies locally. If global resource information is kept in RM, this command applies globally. Use /ASSIGN USER TO USER with the SAVE keyword in an RM environment to cause the assignment to persist and to apply the change to future IMSs that join the IMSplex. The SAVE keyword is valid only for dynamic terminals, so this persistence function is not available for static terminals. Use /ASSIGN USER TO USER with the NOSAVE keyword in an RM environment to stop applying the change to future IMSs that join the IMSplex.

The /ASSIGN command is allowed when the destination user does not exist. However, when resource information is being kept in RM, unless the SAVE keyword is used, this command will not be allowed. Assignments are not considered significant without the SAVE keyword, and if the user doesn't already exist due to some other significant status, there is no reason to create the user.

IMS will dynamically create the source LTERM or user (if it does not exist) to enable the /ASSIGN command. If the destination also does not exist, the SAVE keyword must be specified on the /ASSIGN command. Otherwise, the SAVE keyword is optional.

### BTAM and VTAM

IMS supports the assignment of an LTERM between BTAM and VTAM terminals. However, IMS will not save any BTAM status. For example, if an LTERM is assigned from VTAM to BTAM, the LTERM will be deleted from the RM, and any status that might have been associated with that LTERM will no longer be recoverable.

## Keywords and Parameters

### CLASS

Specifies either the classes of transactions that a message processing region can schedule or the message processing class of a transaction.

The /ASSIGN CLASS cls# (T0) REGION reg# command can include up to four class parameters and replaces the class values that existed previously. Valid class parameters are numeric values from 1 to 999.

For static transactions, the CLASS parameter (cls#) is initially set by system definition using the TRANSACT macro statement. For CPI communications driven transactions, the initial value is obtained from the TP profile. For more information on the CPI Communications interface transactions, see *IMS Version 9: Administration Guide: Transaction Manager*.

### COMPONENT

Allows output for a logical terminal to be directed to a specific component of a physical terminal. The COMPONENT parameter, which can have values 1, 2, 3 or 4, indicates the terminal component that should receive the output. Parameter values other than 1 are valid for the 3275 and SLU 1 terminals, as well as type 1 and type P secondary logical units. When assigning a

COMPONENT value from a terminal with components to a terminal without components, give the compt# a value of 1.

Table 19 shows the relationships between COMPONENT values and terminals. The first column lists the terminal, the second and third columns list the COMPONENT parameters that can have values of 1, 2, 3, or 4.

Table 19. Relationships Between COMPONENT/ICOMPONENT Values and Terminals

Terminal	1	2/3/4
3275	Video	Printer
3770	Console/Printer	Defined in TERMINAL macro on logon descriptor during system definition.
SLU 1	Defined in TERMINAL macro on logon descriptor during system definition.	
SLU P terminal	Defined in TERMINAL macro on logon descriptor during system definition.	
SLU 4	Defined in TERMINAL macro during system definition.	

### CPRI

Specifies a new value for the current priority of a transaction. The CPRI keyword is not allowed for BMP transactions, since BMP transactions should always have a priority of 0. The new CPRI value takes effect the next time the transaction is scheduled. Valid CPRI parameters are numeric values from 0 to 14.

### ICOMPONENT

Specifies the input component of a logical terminal to be directed to a specific component of a physical terminal. The ICOMPONENT parameter, which can have values 1, 2, 3, or 4, indicates the terminal component that should receive the input. Parameter values other than 1 are valid for the 3275 and SLU 1 terminals, as well as type 1 and type P secondary logical units. When assigning from a terminal with components to a terminal without components, give icomt# a value of 1. See Table 19 for relationships between ICOMPONENT values and terminal components.

### INPUT

Specifies that the input capability of a logical terminal is to be assigned to a given nonswitched physical terminal without affecting the output assignment. More than one physical terminal can be assigned as input for a logical terminal, but the logical terminal used must be the first logical terminal in a "chain."

### LINE

Specifies the BTAM line to which the input or output capabilities (or both) of a logical terminal are to be assigned. The physical terminal must not be on a switched line, in conversational, response, or preset destination modes.

### LCT

Specifies a new value for the limit count of a transaction. The new LCT value takes effect during execution of the transaction. Valid LCT parameters are numeric values from 1 to 65535.

### LPRI

Specifies a new value for the limit priority of a transaction. The LPRI keyword is not allowed for BMP transactions, since BMP transactions should always have a priority of 0. The new LPRI value takes effect the next time the transaction is scheduled. Valid LPRI parameters are numeric values from 0 to 14.



**LTERM**

LTERM assigns the input and output capabilities of a logical terminal to the given nonswitched physical terminal or terminals.

If you specify /ASSIGN LTERM with LINE/PTERM selected, the first physical terminal (LINE/PTERM specification) is the input assignment. The second physical terminal (LINE/PTERM specification) is the output assignment. If there is no second physical terminal specification, then the first physical terminal specification is also the output assignment.

If you specify /ASSIGN LTERM [T0] NODE, the node specification is the input and output assignment.

No response is sent to a terminal referenced in an /ASSIGN command. The logical terminal must not be an inquiry logical terminal and must not have queueing or dequeuing of messages in progress.

LTERMs created dynamically can be assigned to dynamically created users. Static logical terminals can be assigned to other static terminals. Dynamic logical terminals cannot be assigned to lines, static nodes, dynamic nodes, or static users. Static logical terminals cannot be assigned to dynamic nodes or users. /ASSIGN commands that split the logical terminal so that the input LTERM is associated with one node and the output is associated with another node are not allowed for any ACF/VTAM terminals.

**Physical Terminal Considerations**

The physical terminal named in the command or indirectly referred to by being associated with a logical terminal in the command must not be on a switched line, in conversational, response, or preset destination modes. If a user logical terminal is specified, no logical terminal in the subpool can be currently signed on, and the line and physical terminal for input and output must be the same. If message processing programs are dependent upon a particular LTERM-to-component assignment, this relationship must be maintained by the operator.

MSGDEL processing for an LTERM is based on how the MSGDEL option was defined:

- For static LTERMs defined during system definition as part of the VTAMPOOL for ISC support and for dynamic LTERMs, the MSGDEL options of the users must match when moving LTERMs between the users.
- For all other static LTERMs, the MSGDEL option is defined in the TERMINAL macro for the associated physical terminal.
- If a terminal's MSGDEL capabilities are defined in the TERMINAL macro as MSGDEL=NONIOPCB, assignment of an LTERM can take place only if the LTERM's message queues are empty, except when the LTERM is assigned to a terminal also defined as MSGDEL=NONIOPCB.
- If a terminal's MSGDEL capabilities are defined as MSGDEL=SYSINFO or NOTERM, assignment of an LTERM can take place only if the LTERM's system message queue is empty, except when the LTERM is assigned to a terminal defined as MSGDEL=SYSINFO or NOTERM, or MSGDEL=NONIOPCB.

**Master Terminal Considerations**

The primary and secondary master terminals cannot be assigned to a user, an input-only or output-only device, a terminal in response mode, an unattended type 1 secondary logical unit terminal, an ISC node, or NTO terminal, or dynamic node. The LINE/PTERM or NODE to which the master

terminal is to be assigned must be started and in an operable state. The line and physical terminal for input and output must be the same.

When a 3270 is designated as the master terminal during IMS system definition, two master logical terminals are generated. One, referred to as the primary master terminal, must be assigned to a 3270 display (3275/3276/3278/3279) for all input and output messages. The other, referred to as the secondary master terminal, must be assigned to a 3270 printer (3284/3286/3287/3288/3289) for certain IMS-selected output messages.

To move a single master logical terminal from one physical terminal to another physical terminal (for example, the secondary master from one 3284 to another 3284, or the primary master from one 3277 to another 3277) without moving the other, use the formats of /ASSIGN LTERM command with one LINE/PTERM or NODE, and specify the LTERM name of the master terminal.

You can use either of the following commands:

- /ASSIGN LTERM ltermname (TO) NODE nodename
- /ASSIGN LTERM ltermname (TO). LINE line# PTERM pterm#

#### PRIMARY Parameter

The reserved parameter PRIMARY can be used with the LTERM keyword to change both the primary and secondary master terminals assignments to other physical terminals concurrently. The command formats used with the PRIMARY parameter are:

- /ASSIGN LTERM PRIMARY (TO) LINE line#1 PTERM pterm#1/NODE nodename#1

This command format assigns both the input and output of the primary master terminal to LINE line#1 PTERM pterm#1, and both the input and output of the secondary master terminal to NODE nodename.

- /ASSIGN LTERM PRIMARY (TO) (LINE line#1 PTERM pterm#1/NODE nodename1)(LINE line#2 PTERM pterm#2/NODE nodename2)

This command format assigns the input and output of the primary master terminal to the LINE line#1 PTERM pterm#1/NODE nodename #1 and assigns the input and output of the secondary terminal to LINE line#2 PTERM#2/NODE nodename#2.

These two formats can reassign:

- The 3270 primary and 3270 secondary master terminals to different 3270 physical terminals, where pterm#1 or nodename1 is a 3270 display and pterm#2 or nodename2 is a 3270 printer.
- A 3270 master terminal complex to a non-3270 master terminal, where pterm#1 or nodename1 is a 2740.
- A non-3270 master terminal to a 3270 display and 3270 printer, where pterm#1 or nodename1 is a 3270 display and pterm#2 or nodename2 is a 3270 printer.

The first LINE/PTERM or NODE specifies the display device to which the primary master logical terminal is to be assigned. The second LINE/PTERM or NODE specifies the printer device to which both the input and output capabilities of the secondary are to be assigned. If only one LINE/PTERM or NODE is specified, then the input and output capabilities of the primary

master logical terminal and the secondary master logical terminal are assigned to the same LINE/PTERM or NODE.

### Data Considerations

IMS does not edit data destined for a logical terminal when an /ASSIGN LTERM or /ASSIGN USER command is executed that affects physical terminal to logical terminal relationships. Ensure that data that is to be sent to a given physical terminal is suitable for transmission to a different physical terminal. For example, a print line (segment) 144 characters long destined for a 2780 terminal with a terminal 144-character printer will not print correctly if the logical terminal is assigned to a 2740 terminal with a maximum line size of 130 characters. If the Message Format Service (MFS) is used and the FMT definition included the second device, the change of physical terminal from one MFS-supported device to another MFS-supported device will produce correct output.

For a description of logical terminals (LTERMs), see *IMS Version 9: Administration Guide: System*. The command formats used with the /ASSIGN LTERM ltermname command are:

- /ASSIGN LTERM ltermname [TO] LINE line#1 PTERM pterm#1

This command format assigns the input and output capabilities of the logical terminal to LINE line#1 PTERM pterm#1. This command is not valid if the LTERM is dynamic.

```
/ASSIGN LTERM ltermname [TO] LINE line#1
PTERM pterm#1 LINE line#2
PTERM pterm#2
```

This command format assigns the input capability of the logical terminal to the first LINE/PTERM pair and assigns the output capability of the logical terminal to the second LINE/PTERM pair. This command is not valid if the LTERM is dynamic.

- /ASSIGN LTERM ltermname [TO] LINE line#1 PTERM pterm#1 PTERM pterm#2

This command format assigns the input capability of the logical terminal to LINE line#1 PTERM pterm#1 and assigns the output capability of the logical terminal to the same LINE, line#1, but to a different PTERM, pterm#2. This command is not valid if the LTERM is dynamic.

- /ASSIGN LTERM ltermname [TO] NODE nodenamez

This command format assigns the input and output capabilities of the logical terminal to NODE nodename. This command is not valid if the LTERM or NODE is dynamic.

- /ASSIGN LTERM ltermname1 [TO] LTERM ltermname2

This command format allows an input chain to be moved to a symbolic location, rather than to a specific line and physical terminal. The [TO] line and terminal are determined by the current assignment of the specified [TO] logical terminal. With this format, the output assignment is not affected. This form of the /ASSIGN command is invalid for ISC nodes defined for parallel sessions, and it is not supported for LTERMs associated with VTAM terminals.

- /ASSIGN LTERM ltermname [TO] USER username

This command format assigns the logical terminal to the given user. When moving logical terminals between users, the MSGDEL options of the users as defined during system definition or on user descriptor must match. The user related to LTERM ltermname must not be signed on in conversation, in response mode, or in preset mode. For 3600/FINANCE, SLU P, and ISC, the user (username) can remain allocated due to terminal message resynchronization requirements. However, the user cannot be signed on because the associated terminal session must be stopped and idle. The user can be allocated, but, if allocated, must be associated with a session that is stopped and idle. This command will turn off the DEADQ status for the user associated with LTERM ltermname.

**NODE**

Specifies the VTAM terminal to which the input and output capabilities of a logical terminal are to be assigned. The node must not be dynamic, or in conversational, response, or preset destination modes. If a session with a VTAM terminal is terminated after a message is sent but before the response has been received, message resynchronization is necessary for this terminal. The output message for which no response was received must remain associated with this terminal until message resynchronization determines when the terminal received the message. If you use the /ASSIGN command to move the message to a different terminal, message resynchronization is no longer possible.

**NOSAVE**

Indicates that the assignment changes specified by the /ASSIGN command are lost when control blocks are deleted by the system when they are no longer needed. Omitting SAVE and NOSAVE causes the system-wide default to be used, as specified by the ASSNCHANGE parameter in the DFSDCxxx PROCLIB member.

**NPRI**

Specifies a new value for the normal priority of a transaction. The NPRI keyword is not allowed for BMP transactions, because BMP transactions should always have a priority of 0. The new NPRI value takes effect the next time the transaction is scheduled. Valid NPRI parameters are numeric values from 0 to 14.

**OUTPUT**

Specifies that the output capability of a logical terminal is to be assigned to a given nonswitched physical terminal, without affecting the input assignment. OUTPUT is invalid for ISC nodes defined for parallel sessions.

**PARLIM**

Specifies a new value for the parallel processing limit count of a transaction. parlim# is the maximum number of messages that can currently be queued, but not yet processed, by each active message region currently scheduled for this transaction. An additional region will be scheduled whenever the transaction queue count (for shared queues environments, the successful consecutive GU count is used instead of the queue count) exceeds the PARLIM value multiplied by the number of regions currently scheduled for this transaction. Valid PARLIM parameters are numeric values from 0 to 32767 and 65535, where 65535 disables transaction load balancing.

/ASSIGN PARLIM is not valid for CPI Communications driven transactions.

**PLCT**

Specifies a new value for the processing limit count of a transaction. The

PLCT is the number of messages of this transaction code that a program can process in a single scheduling. The new PLCT values take effect the next time the transaction is scheduled. Valid PLCT parameters are numeric values from 0 to 65535.

/ASSIGN PLCT is not valid for CPI Communications driven transaction programs.

**PTERM**

Specifies the BTAM physical terminal to which the input or output capabilities (or both) of a logical terminal are to be assigned.

**REGION**

Specifies the message processing region being assigned new classes of transactions that the region can schedule.

**SAVE**

Prevents deletion of user and LTERM control blocks across session and IMS restarts. Control blocks will be retained until the NOSAVE keyword is used with the /ASSIGN command. Omitting SAVE and NOSAVE causes the system-wide default to be used, as specified by the ASSNCHANGE parameter in the DFSDCxxx PROCLIB member.

**SEGNO**

Creates or changes the limit on the number of application program output segments allowed in message queues for each GU call. Segment limits will be established by transaction code, thereby allowing specification of more than one value for each application program. The new SEGNO value takes effect during execution of the transaction. Valid SEGNO parameters are numeric values from 0 to 65535.

/ASSIGN SEGNO is not valid for CPI Communications driven transaction programs.

**SEGSZ**

Creates or changes the limit on the size of application program output segments allowed in message queues for each GU call. The new SEGSZ value takes effect during execution of the transaction. Valid SEGSZ parameters are numeric values from 0 to 65535.

/ASSIGN SEGSZ is not valid for CPI Communications driven transaction programs.

**TRAN**

Specifies the transaction being assigned to a message processing class or being assigned a value. The new class takes effect the next time the transaction is scheduled.

**USER**

Assigns logical terminals to ISC half-sessions or to dynamic users. When moving logical terminals between users, the MSGDEL options of the users must match. The MSGDEL option for the static ISC users is defined in the SUBPOOL macro during system definition. The MSGDEL option for dynamic terminals is defined in the OPTIONS keyword of the ETO USER descriptor. /ASSIGN USER to VTAMP00L is not valid if USER is not ISC.

/ASSIGN LTERM ltermname (TO) USER username assigns the logical terminal to another USER. The user associated with LTERM ltermname must not be allocated. The USER username can be allocated, but it must be associated with a session that is stopped and idle, if allocated.

**Note:** Assigning an LTERM is not a permanent action. When the destination structure is deleted (for example, with /SIGN OFF) IMS discards information about the assignment. When the original dynamic user who owned that dynamic LTERM signs on again or gets a message switch, the dynamic LTERM is recreated for the original dynamic user.

If SAVE is specified, the dynamic user is not deleted unless another /ASSIGN command with the NOSAVE keyword is issued.

/ASSIGN USER username1 (T0) USER username2 assigns a string of logical terminals to another USER. The first user (username1) in the command must contain at least one logical terminal and must not be signed on, in conversation, in response mode, or in preset mode. For 3600/FINANCE, SLU P, and ISC, the second user (username2) can remain allocated due to terminal message resynchronization requirements. However, the user cannot be signed on and associated terminal sessions must be stopped and idle. This command turns off the DEADQ status for USER username1.

In addition to the ISC rules and restrictions, following dynamic terminal restrictions also apply. The /ASSIGN USER to USER and /ASSIGN LTERM to USER commands are rejected if the source or destination dynamic user is in conversation mode, response mode, or preset mode. The second USER can be allocated, but it must be associated with a session that is stopped and idle, if allocated.

When existing dynamic LTERMs or dynamic users are assigned to a destination user that doesn't exist, the destination user is created unless it is rejected by the DFSINSX0 user exit.

#### **VTAMPOOL**

Is valid only for VTAM ISC sessions. It is used to force a cold start of an ISC session that cannot perform a successful restart.

/ASSIGN VTAMPOOL deallocates an entire string of logical terminals allocated to a given USER. The user must not be signed on, in conversation mode, response mode, or preset mode, and the terminal must be stopped and idle. This command is valid for static and dynamic ISC users.

---

## **Examples**

### **Example 1 for /ASSIGN Command**

Entry ET:

```
/ASSIGN CLASS 5 TO REGION 3
```

Response ET:

```
DFS058I ASSIGN COMMAND COMPLETED
```

Explanation: Class 5 is assigned to region 3. Class 5 transactions are scheduled into region 3. This command resets any previous class assignments to this region.

### **Example 2 for /ASSIGN Command**

Entry ET:

```
/ASSIGN CLASS 4 6 2A TO REGION 5
```

Response ET:

```
DFS058I  ASSIGN COMMAND COMPLETED EXCEPT CLASS 2A
```

Explanation: The requested assignment is complete except for 2A, which is an invalid class number.

### Example 3 for /ASSIGN Command

Entry ET:

```
/ASSIGN CPRI 8 TO TRANSACTION PIT, SEED
```

Response ET:

```
DFS058I  ASSIGN COMMAND COMPLETED
```

Explanation: A current priority of 8 is set for the transactions named PIT and SEED.

### Example 4 for /ASSIGN Command

Entry ET:

```
/ASSIGN INPUT LTERM JONES TO LINE 4 PTERM 3
```

Response ET:

```
DFS058I  ASSIGN COMMAND COMPLETED
```

Explanation: Logical terminal JONES is assigned to LINE 4 PTERM 3 for input identification and security. It associates the chain of logical terminals, of which LTERM JONES will be chained in first, with LINE 4 PTERM 3 for input. LTERM JONES must not be in the interior of an input chain (no other logical terminal can point to it). A physical terminal can point (for input only) to the first logical terminal of any chain. The output physical terminal for LTERM JONES is not changed.

### Example 5 for /ASSIGN Command

Entry ET:

```
/ASSIGN LTERM APPLE TO LINE 5 PTERM 1
```

Response ET:

```
DFS058I  ASSIGN COMMAND COMPLETED
```

Explanation: Logical terminal APPLE has both its input and output capabilities assigned to LINE 5 PTERM 1. The components present on LINE 5 PTERM 1 must be compatible with the physical terminal previously related to logical terminal APPLE.

### Example 6 for /ASSIGN Command

Entry ET:

```
/ASSIGN LTERM APPLE TO NODE JONES
```

Response ET:

```
DFS058I  ASSIGN COMMAND COMPLETED
```

Explanation: Logical terminal APPLE has both its input and output capabilities assigned to node JONES. The components present on node JONES must be compatible with the physical terminal previously related to logical terminal APPLE.



### Example 7 for /ASSIGN Command

Entry ET:

```
/ASSIGN LTERM SMITH TO LINE 4 PTERM 6 PTERM 7 COMPONENT 2
```

Response ET:

```
DFS058I ASSIGN COMMAND COMPLETED
```

Explanation: Logical terminal SMITH is assigned to LINE 4 PTERM 6 for input and LINE 4 PTERM 7 for output. Output for LINE 4 PTERM 7 is directed to COMPONENT 2.

### Example 8 for /ASSIGN Command

Entry ET:

```
/ASSIGN LTERM X TO LINE 5 PTERM 7 PTERM 6 COMPONENT 4  
ICOMPONENT 3
```

Response ET:

```
DFS058I ASSIGN COMMAND COMPLETED
```

Explanation: Logical terminal X is assigned to LINE 5 PTERM 7 for input and to LINE 5 PTERM 6 for output. Input is only received from input component 3, while output is directed to component 4.

### Example 9 for /ASSIGN Command

Entry ET:

```
/ASSIGN LTERM JONES TO LINE 4 PTERM 6 LINE 9 PTERM 1
```

Response ET:

```
DFS058I ASSIGN COMMAND COMPLETED
```

Explanation: Logical terminal JONES is assigned to LINE 4 PTERM 6 for input capability and LINE 9 PTERM 1 for output capability. The component assignment is unaffected.

### Example 10 for /ASSIGN Command

Entry ET:

```
/ASSIGN LTERM SMITH NODE JONES
```

Response ET:

```
DFS058I ASSIGN COMMAND COMPLETED
```

Explanation: Logical terminal SMITH is assigned to node JONES for both input and output.

### Example 11 for /ASSIGN Command

Entry ET:

```
/ASSIGN LTERM BROWN TO LTERM WHITE
```

Response ET:

```
DFS058I ASSIGN COMMAND COMPLETED
```



Explanation: Logical terminal BROWN is removed from its present input chain (if one exists) of logical terminals and added to the end of the input chain (if one exists) of logical terminal WHITE. The output physical terminal for LTERM BROWN is not changed.

### **Example 12 for /ASSIGN Command**

Entry ET:

```
/ASSIGN LTERM LAX USER ILL ICOMPONENT 1 COMPONENT 2
```

Response ET:

```
DFS058I ASSIGN COMMAND COMPLETED
```

Explanation: Logical terminal LAX is reassigned from its existing user to the user ILL. The user associated with LAX cannot be allocated to an active session.

### **Example 13 for /ASSIGN Command**

Entry ET:

```
/ASSIGN LTERM PRIMARY TO LINE 4 PTERM 3
```

Response ET:

```
DFS058I ASSIGN COMMAND COMPLETED
```

Explanation: PTERM 3 on LINE 4 becomes the master terminal. PTERM 3 must be a 3270 display.

### **Example 14 for /ASSIGN Command**

Entry ET:

```
/ASSIGN LTERM PRIMARY TO NODE BOSS
```

Response ET:

```
DFS058I ASSIGN COMMAND COMPLETED
```

Explanation: The node, BOSS, becomes the primary master terminal and the secondary master terminal.

### **Example 15 for /ASSIGN Command**

Entry ET:

```
/ASSIGN LTERM PRIMARY TO LINE 1 PTERM 2 LINE 2 PTERM 4
```

Response ET:

```
DFS058I ASSIGN COMMAND COMPLETED
```

Explanation: PTERM 2 on LINE 1 becomes the primary master terminal and PTERM 4 on LINE 2 becomes the secondary master terminal. PTERM 2 is a 3270 display station and PTERM 4 is a 3270 printer.

### **Example 16 for /ASSIGN Command**

Entry ET:

```
/ASSIGN SEGNO 50 TO TRANSACTION APPLE
```

Response ET:

```
DFS058I ASSIGN COMMAND COMPLETED
```

Explanation: A limit of 50 output segments is set for the transaction APPLE.

### Example 17 for /ASSIGN Command

Entry ET:

```
/ASSIGN SEGSZ 1000 TO TRANSACTION APPLE
```

Response ET:

```
DFS058I ASSIGN COMMAND COMPLETED
```

Explanation: A maximum size of 1000 bytes is set for any one output segment of transaction APPLE.

### Example 18 for /ASSIGN Command

Entry ET:

```
/ASSIGN USER ILL TO USER CAL
```

Response ET:

```
DFS058I ASSIGN COMMAND COMPLETED
```

Explanation: All the logical terminals of user ILL are appended to the existing LTERM string of user CAL. Use of this form of the /ASSIGN command leaves ILL with no LTERMS and therefore unavailable for allocation to a session. Both user ILL and CAL cannot be allocated to a session.

### Example 19 for /ASSIGN Command

Entry ET:

```
/ASSIGN USER CAL TO VTAMPOOL
```

Response ET:

```
DFS058I ASSIGN COMMAND COMPLETED
```

Explanation: The entire allocated LTERM string defined for user CAL is reassigned to the VTAM pool. The node to which user CAL is allocated must not be in session and must be stopped and idle. User CAL is then available for allocation to any ISC session.

### Example 20 for /ASSIGN Command

Entry ET:

```
/ASSIGN TRAN APPLE TO CLASS 5
```

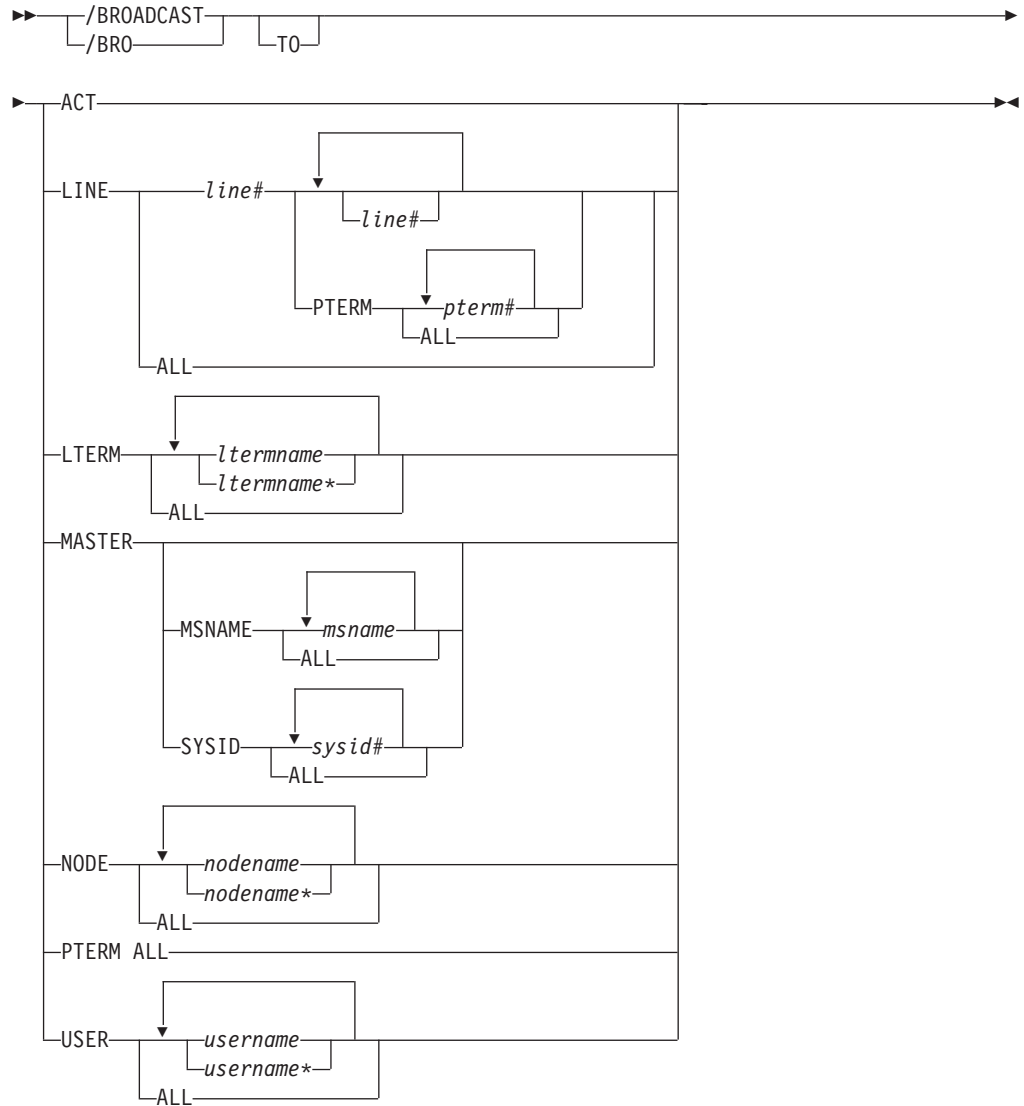
Response ET:

```
DFS058I ASSIGN COMMAND COMPLETED
```

Explanation: The transaction named APPLE is assigned to class 5.

# Chapter 6. /BROADCAST

## Format



## Environments and Keywords

Table 20 lists the environments (DB/DC, DBCTL, and DCCTL) from which the command and keywords can be issued.

Table 20. Valid Environments for the /BROADCAST Command and Keywords

Command / Keywords	DB/DC	DBCTL	DCCTL
/BROADCAST	X		X
ACT	X		X
LINE	X		X
LTERM	X		X

Table 20. Valid Environments for the /BROADCAST Command and Keywords (continued)

Command / Keywords	DB/DC	DBCTL	DCCTL
MASTER	X		X
MSNAME	X		X
NODE	X		X
PTERM	X		X
SYSID	X		X
USER	X		X

---

## Usage

/BROADCAST is a multisegment command used to send a message to terminals in one or more IMS systems. For /BROADCAST commands entered by the master terminal operator, the multisegment input from this command is combined into 79-character segments for output transmission. The first input segment contains only the broadcast destination. The second and subsequent input segments must contain the data to be broadcast. Messages that are broadcast are sent even if the line, terminal, or both, are stopped at the time the broadcast is issued.

All /BROADCAST formats require an EOM indication to denote end-of-message; an EOS indication must be included for all segments that precede the last segment. See "Multisegment Command Input" on page 8 for more detail on using EOM and EOS.

**Requirement:** When the /BROADCAST command is issued from an MCS/E-MCS console, OM API, or an AOI application, a period must appear as a delimiter between the command and the message text.

Unlike message switches, broadcast messages are sent to a terminal even when the terminal, associated line, or both, are not available (stopped, process stopped, or locked). However, broadcast messages are never sent to terminals if the MSGDEL parameter of the TERMINAL macro is specified MSGDEL=NONIOPCB.

Broadcast messages are always queued for logical terminals. When the ACTIVE, LINE, NODE, PTERM, or USER keywords are used, IMS queues the message for the first logical terminal found that is associated for output purposes with the specified line or physical terminal.

### ACT

Specifies that the supplied message is queued to the first LTERM allocated to each active node.

When operating on a dynamic terminal, the /BROADCAST ACT command only succeeds if a signed on user exists. A signed on user must exist, otherwise there is no destination to which to send the message.

### LINE

Specifies that a message is to be sent to all terminals associated with the specified line. PTERM specifies that the message is to be sent to specific terminals on the associated line.

### LTERM

Specifies that a message is queued to each named LTERM in the local system or any remote system. The remote logical terminal must be defined in the input system.

Where a LTERM does not exist, IMS attempts to create the LTERM and associated user structure if ETO is active. LTERM parameters can be generic, where the generic parameter specifies logical terminals that already exist.

When /BROADCAST LTERM ALL is specified, one copy of the message is queued for each logical terminal in the local system. In a multiple systems configuration, the message is not sent to remote systems when the ALL parameter is used. When more than one logical terminal is assigned to a physical terminal for output purposes, multiple copies of the message will result.

When the LTERM keyword specifies a logical terminal assigned to the VTAM pool, broadcast messages are queued for the first logical terminal in a subpool.

**MASTER**

Specifies that a message is to be sent to the IMS master terminal and to any specified secondary master terminal. Keywords SYSID and MSNAME can be used to further qualify the reserved parameter MASTER.

**MSNAME**

Specifies the logical link path in a multiple systems configuration.

**NODE**

Specifies that the supplied message is queued to the first output LTERM allocated to a terminal. If a terminal has no signed on user, no message can be queued. NODE parameters can be generic, where the generic parameter specifies nodes that already exist.

When operating on a dynamic terminal, the /BROADCAST NODE command only succeeds if a signed on user exists. A signed on user must exist, otherwise there is no destination to which to send the message.

**PTERM**

Specifies the physical terminal to which a message is to be sent.

**SYSID**

Specifies the system identification of a system in a multiple system configuration.

**USER**

Specifies the supplied message is queued to the first LTERM associated with an existing USER parameter can be generic. The /BROADCAST USER command applies only to existing dynamic users.

In an IMSplex, /BROADCAST USER queues the supplied message to the first LTERM associated with a dynamic user, if the user is signed on locally. /BROADCAST USER may not be used to queue a message to an LTERM associated with a user signed on to another IMS in the IMSplex, or not signed on at all.

---

## Examples

### Example 1 for /BROADCAST Command

Entry ET:

```
/BROADCAST ACTIVE (EOS)
SYSTEM WILL BE SHUTDOWN FOR PM (EOS)
IN 5 MINUTES (EOM)
```

Response ET:

```
DFS058I BROADCAST COMMAND COMPLETED
```

Response RT:

```
SYSTEM WILL BE SHUTDOWN FOR PM IN 5 MINUTES
```

Explanation: The entered message is transmitted to all active terminals.

## Example 2 for /BROADCAST Command

Entry ET:

```
/BROADCAST TO LTERM APPLE, TREE (EOS)  
DON'T USE TRANSACTION GREENTRE UNTIL FURTHER (EOS)  
NOTICE. (EOM)
```

Response ET:

```
DFS058I BROADCAST COMMAND COMPLETED
```

Response RT:

```
DON'T USE TRANSACTION GREENTRE UNTIL FURTHER  
NOTICE.
```

Explanation: The entered message is transmitted to the logical terminals named APPLE and TREE.

## Example 3 for /BROADCAST Command

Entry ET:

```
/BROADCAST TO LINE ALL (EOS)  
SYSTEM WILL SHUTDOWN AT 5PM (EOM)
```

Response ET:

```
DFS058I BROADCAST COMMAND COMPLETED
```

Response RT:

```
SYSTEM WILL SHUTDOWN AT 5PM
```

Explanation: The entered message is transmitted to all physical terminals.

## Example 4 for /BROADCAST Command

Entry ET:

```
/BROADCAST TO LINE 13 PTERM ALL (EOS)  
EXPECT DEMO YOUR LINE AT 9PM (EOM)
```

Response ET:

```
DFS058I BROADCAST COMMAND COMPLETED
```

Response RT:

```
EXPECT DEMO YOUR LINE AT 9PM
```

Explanation: The entered message is transmitted to all physical terminals on line 13.

## Example 5 for /BROADCAST Command

Entry ET:

```
/BROADCAST MASTER SYSID 2 (EOS)  
SYSTEM WILL SHUTDOWN AT 5:00 PM (EOM)
```

Response ET:

```
DFS058I BROADCAST COMMAND COMPLETED
```

Response RT:

```
SYSTEM WILL SHUTDOWN AT 5:00 PM
```

Explanation: The message is transmitted to the master terminal of the system specified by the SYSID 2.

## Example 6 for /BROADCAST Command

Entry ET:

```
/BROADCAST MASTER MSNAME BOSTON, CHICAGO (EOS)  
SYSTEM WILL SHUTDOWN AT 5:00 PM (EOM)
```

Response ET:

```
DFS058I BROADCAST COMMAND COMPLETED
```

Response RT:

```
SYSTEM WILL SHUTDOWN AT 5:00 PM
```

Explanation: The message is transmitted to the master terminals. of the remote systems specified by the MSNAMEs BOSTON and CHICAGO.

## Example 7 for /BROADCAST Command

Remote Terminal entry:

```
/FORMAT DFSMO4  
/BRO LTERM WTOR (eos)  
this is segment 1 (eos)  
this is segment 2 (eos)  
this is segment 3 (eom)
```

Response ET:

```
DFS058I BROADCAST COMMAND COMPLETED
```

Response RT:

```
THIS IS SEGMENT 1  
THIS IS SEGMENT 2  
THIS IS SEGMENT 3
```

Explanation: The remote terminal is first formatted by the /FORMAT command, where default format DFSMO4 supports the input of four segments. This is followed by /BROADCAST with four segments.





---

## Chapter 7. /CANCEL

---

### Format




---

### Environments

Table 21 lists the environments (DB/DC, DBCTL, and DCCTL) from which the command can be issued.

*Table 21. Valid Environments for the /CANCEL Command*

Command	DB/DC	DBCTL	DCCTL
/CANCEL	X		X

---

### Usage

/CANCEL cancels all segments of a multisegment input message. It must be entered prior to the end-of-message (EOM) indicator from the terminal that was entering the message. Because a /CANCEL command must comprise a segment, it cannot be used to cancel a single-segment message.

On a non-3270 device, you can cancel a single-segment message by entering two asterisks (\*\*), followed immediately by an end-of-segment (EOS) indicator. When MFS is used, you can define delete characters other than (\*\*) to cancel other segments besides the first.

/CANCEL command has no meaning on display terminals where it is not possible to have some segments of a message already received by IMS while receiving subsequent segments.

---

### Example for /CANCEL Command

Entry ET:

```
/BROADCAST TO ACTIVE (EOS)
SYSTEM WILL BE AVAILABLE (EOS)
```

Entry ET:

```
/CANCEL
```

Response ET:

```
DFS058I CANCEL COMMAND COMPLETED
```

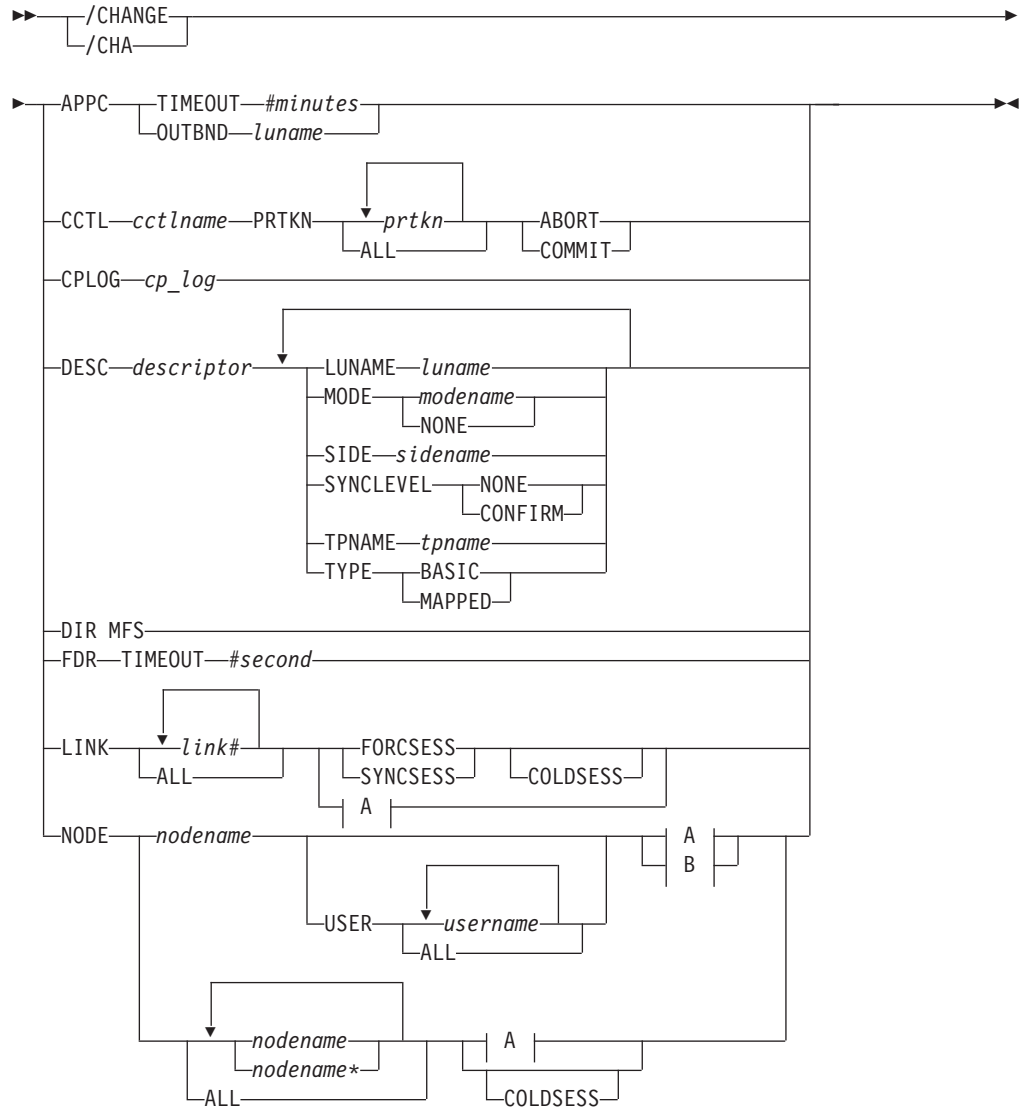
Explanation: All previously entered segments of the current message are discarded.



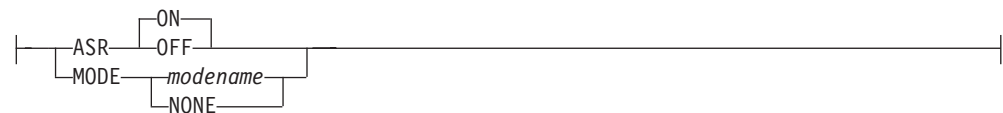
# Chapter 8. /CHANGE

## Format

### /CHANGE Command: APPC Through NODE



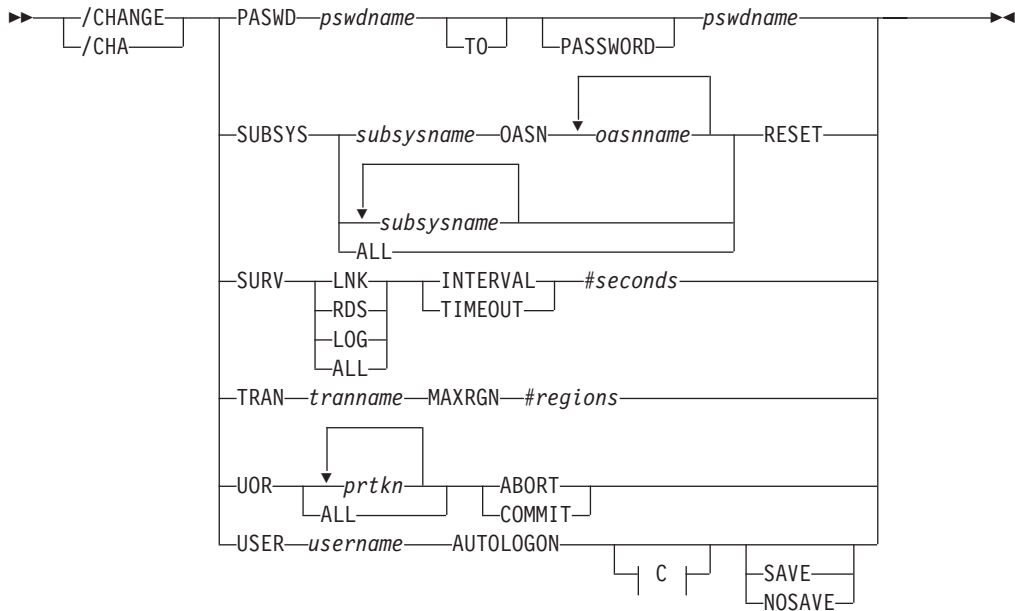
**A:**



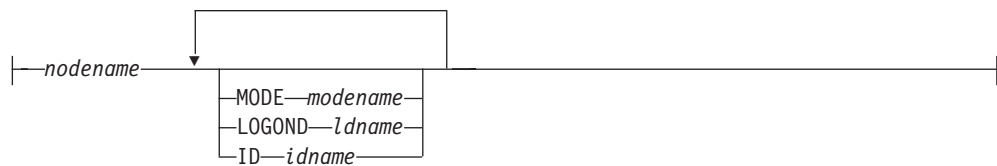
**B:**



**/CHANGE Command: OUTBNDThrough USER**



**C:**



**Environments and Keywords**

Table 22 lists the environments (DB/DC, DBCTL, and DCCTL) from which the command and keywords can be issued.

Table 22. Valid Environments for the /CHANGE Command and Keywords

Command / Keywords	DB/DC	DBCTL	DCCTL
/CHANGE	X	X	X
ABORT	X	X	
APPC	X		X
ASR	X		X
AUTOLOGON	X		X
CCTL	X	X	
COLDSESS	X		X

Table 22. Valid Environments for the /CHANGE Command and Keywords (continued)

Command / Keywords	DB/DC	DBCTL	DCCTL
COMMIT	X	X	
CPLOG	X	X	X
DESC	X		X
DIR	X		X
FDR	X	X	
FORCSESS	X		X
ID	X		X
INTERVAL	X		X
LINK	X		X
LOGOND	X		X
LUNAME	X		X
MAXRGN	X		X
MODE	X		X
NODE	X		X
NOSAVE	X		X
OASN	X	X	X
OUTBND	X	X	X
PASWD	X	X	X
RESET	X	X	X
SAVE	X		X
SIDE	X		X
SUBSYS	X	X	X
SURV	X		X
SYNCLEVEL	X		X
SYNCSESS	X		X
TIMEOUT	X	X	X
TPNAME	X		X
TRAN	X		X
TYPE	X		X
UOR	X	X	
USER	X		X

---

## Usage

/CHANGE is a multisegment command used to change or delete internal resources within IMS.

All /CHANGE formats require an EOM indication to denote end-of-message; an EOS indication must be included for all segments that precede the last segment. See "Multisegment Command Input" on page 8 for more detail on using EOS and EOM.

**APPC TIMEOUT**

Specifies a change to the timeout value for APPC/IMS. This value is set in the DFSDCxxx member of IMS.PROCLIB. IMS passes this value to APPC/z/OS for every implicit APPC/IMS conversation.

The timeout value (*#minutes*) must be between zero and 1440. If the timeout value is zero, APPC/IMS timeout will be deactivated.

A DFS34091 or DFS3491I message is issued after the /CHANGE APPC TIMEOUT command is issued to inform the operator of the new timeout value.

**OUTBND**

Specifies a different outbound LU. The specified LU must be one of the APPC LUs defined in the APPCPMxx member of the SYS1.PROCLIB library. The default outbound LU is BASE LU.

**CCTL**

Specifies the coordinator control subsystem. The recovery elements are resolved by IMS.

*cctlname*

Specifies CCTL subsystem ID.

*prtkn*

Specifies the pseudo recovery token, which designates the unit of recovery to be aborted or committed. Use the /DISPLAY CCTL command to determine the pseudo recovery token name.

**ABORT**

Backs out changes for a unit of recovery. After completion of backout, the recoverable indoubt structure (RIS) is removed.

**COMMIT**

Commits changes for a unit of recovery. After the process is complete, the RIS is removed.

**CPLOG**

Is used to change the value of the IMS execution parameter, CPLOG. The IMS CPLOG execution parameter specifies the number of system log records between system-generated checkpoints.

*cp\_log*

This value must be specified as one or more numeric characters followed by either K or M. Values can range from 1K to 16M.

**DESC**

Specifies the name of an LU 6.2 descriptor that will be updated with new values. An error message is issued if the specified descriptor is not found.

**Note:** The /CHANGE DESC command changes the destination for future messages only. It does not change the destination for existing messages. The existing output messages are delivered only to the luname and tpname that had been previously specified for that message. This restriction is required by security requirements so message delivery to the intended destination only occurs at the time the messages are created.

**LUNAME**

Specifies the LU name that is updated in the LU 6.2 descriptor.

The luname value in the descriptor is set to blanks unless the LUNAME keyword is also specified. A network-qualified LU name is optional for the LUNAME keyword.

**MODE**

Specifies the VTAM mode table entry name that is updated in the LU 6.2 descriptor. The NONE parameter resets the mode field to its null state.

The MODE value in the descriptor is set to blanks unless the MODE keyword is also specified.

**SIDE**

Specifies the APPC/z/OS side information that is set in the LU 6.2 descriptor. The side information contains default values for APPC conversation attributes such as LUNAME, TPNAME, and MODE.

**SYNCLEVEL**

Specifies the APPC sync level that is updated in the LU 6.2 descriptor. One of the following must be specified:

**CONFIRM**

IMS sync point processing continues.

**NONE**

IMS sync processing continues despite a session failure.

**TPNAME**

Specifies the tpname that is updated in the LU 6.2 descriptor. Message DFS182 is issued if the TPNAME parameter specified is DFSSIDE.

The TPNAME value in the descriptor is set to blanks unless the TPNAME keyword is also specified.

**TYPE**

Specifies the APPC conversation type that is updated in the LU 6.2 descriptor.

The conversation types are:

**BASIC**

Specifies that the data is to be formatted by the transaction programs, using the pattern "LL,data,LL,data".

**MAPPED**

Specifies that the data is to be formatted by APPC.

**DIR**

Specifies that the entries in the MFS dynamic directory are to be deleted. This restores the dynamic directory to the original state that it was in just after IMS was initialized.

When IMS is initialized, IMS creates an MFS block primary directory based on the contents of all the \$\$IMSDIR members found. At the same time, IMS issues GETMAINS to acquire additional storage that is large enough to hold approximately 10% of the members in the active format library. While IMS is running, entries are only added to the dynamic directory, they are not deleted. Therefore, the dynamic directory continues to get larger until it runs out of space. When this happens, IMS can extend the amount of space in the dynamic directory to hold another 10%. IMS can extend the size of the dynamic directory a maximum of 9 times.

If you want to delete the in-storage (or index) entries from the dynamic directory without restarting IMS or performing an online change for the format library, use the /CHANGE DIR MFS command.

**FDR**

Specifies a change to the timeout value for IMS Fast Database Recovery surveillance. This value is set in the DFSFDRxx member of IMS.PROCLIB. IMS uses this value to determine how long to wait before initiating a Fast Database Recovery takeover.

The timeout value (*#seconds*) must be at least 3 but no greater than 999.

IMS rejects this command if the active IMS subsystem is not connected to a Fast Database Recovery region.

**LINK**

Applies only to IMS systems linked by MSC using VTAM.

Use the LINK keyword with FORCSESS, SYNCSESS, COLDSESS to override the system definition option defined for forcing resynchronization until the next /CHANGE LINK command or IMS cold start.

**FORCSESS**

Forces a session to come up, whether or not the message sequence numbers agree. When FORCSESS is used with COLDSESS, the session is set up so that cold start can occur, and, when it is cold started, it is forced to come up, whether or not the message sequence numbers agree. The use of FORCSESS could cause messages to be lost, so it should be used if a session could not be brought up, and loss of messages is of little importance while a session is being brought up.

**SYNCSESS**

Is used to complete session initiation, only if the message sequence numbers and the restart modes agree. When this keyword is used with COLDSESS, the session is set up so that it can be cold started, and, after cold start, it can be initiated only if the sequence numbers and the restart modes agree.

**COLDSESS**

When used in conjunction with the LINK keyword, COLDSESS enables a session to be cold started. If used with FORCSESS or SYNCSESS, the COLDSESS keyword is always processed first. Use of this keyword could cause messages to be lost. This keyword should be used if one of the systems associated with an MSC link goes down, and the only way to bring the session up is to cold start it.

The COLDSESS keyword can be specified to terminate control blocks associated with the specified link or links and reset the link to COLD. COLDSESS should be used only after the /PSTOP command is issued and completes against the link or links and the links appear to be hung. If COLDSESS is specified, it should be used on both sides of the link or links. Gather documentation to determine why the link or links did not come down normally.

**ASR**

Changes the automatic keyword session restart designation of a link. The default parameter for ASR is ON.



Automatic session restart is not necessarily activated for a link just because a status of ASR is displayed for that link. You must also have coded SONSCIP=YES on the APPL definition statement for VTAM when defining the network for the VTAM.

**MODE**

Changes the default mode table name of a link. This default is usually established by system definition. Parameter NONE resets this field to its null state (as if no mode table name was specified at system definition).

Changing ASR or mode table name for non-VTAM MSC links is invalid. If non-VTAM MSC links are referred to specifically in the /CHANGE LINK ASR or /CHANGE LINK MODE commands, they will be marked in error.

**NODE**

Specifies a VTAM node to be changed. The NODE parameter can be generic if the USER keyword is not present. The generic parameter specifies nodes that already exist.

**ASR**

The ASR keyword allows you to change the automatic session restart designation of a node. The default parameter for ASR is ON.

Automatic session restart is not necessarily activated for a node just because a status of ASR is displayed for that node. You must also have coded SONCSIP=YES on the APPL definition statement for VTAM when defining your network.

**COLDSESS**

When COLDSESS is used with the NODE keyword, it sets up the SLU P or FINANCE session so that the session can be cold started. The COLDSESS keyword should be used if the SLU P or FINANCE session has experienced problems and attempts to warm start the session fail. The COLDSESS keyword terminates terminal and user control blocks associated with the specified node or nodes, and resets the node status to COLD.

In an IMSplex, if global resource information is not kept in Resource Manager (RM), the change is applied locally. If global resource information is kept in RM, the change is applied globally.

A DFS0581 COMMAND COMPLETE EXCEPT message may be received if the node is temporarily in use by another task even if the criteria (node is terminated and idle) for successful completion of the command is met.

**FORCSESS, SYNCSESS**

The FORCSESS and SYNCSESS keywords are only valid for ISC nodes. Specify FORCSESS and SYNCSESS to override the system definition or logon descriptor option defined to force or not force synchronization of sessions. This override is effective until the next /CHANGE command is issued or an IMS cold start is effected.

**MODE**

Changes the default mode table name of a node. This default is usually established by system definition or logon descriptor. MODE resets this field to its null state (as if no mode table name had been specified at system definition).

Changing ASR or the mode table name for VTAM 3270 nodes is invalid. If nodes of this type are referred to specifically in the /CHANGE ASR or /CHANGE MODE commands, they are marked in error.

**USER**

Indicates the ISC user that is allocated to the node or the dynamic user that is signed on to the node.

/CHANGE USER AUTOLOGON SAVE changes the autologon information previously specified by a user descriptor, output creation exit routine (DFSINSX0), or signon exit routine (DFSSGNX0). The autologon change is saved. The autologon information includes the node name, the mode table, the logon descriptor, and the ID. If the Resource Manager is active, the user will be dynamically created if it does not already exist. The SAVE keyword must be specified. If SAVE is not specified, the command is rejected with message DFS1199.

**OUTBND**

This keyword lets you change the current outbound LU. The default outbound LU is BASE LU. A different outbound LU can be specified with the OUTBND= parameter in the DFSDCxxx PROCLIB member. The specified LU must be one of the APPC LUs defined in the APPCPMxx member of the SYS1.PROCLIB library.

**PASWD**

Password security is created by the IMS Security Maintenance utility and invoked during IMS restart through the presence of the PASWD operand. PASWD *pswdname* must be defined prior to the entry of this command. Passwords are defined by use of the Security Maintenance utility or by a previous /CHANGE command. Command execution results in a direct password replacement. If the password operand pswdname does not exist in the user's IMS system, the /CHANGE command is rejected. Because duplicate passwords are not acceptable, PASWD pswdname (where this password name is the second name given in the command) must not have been previously defined when /CHANGE PASWD is entered or the password will be rejected.

**SUBSYS**

Specifies the subsystem name from which IMS recovery elements are to be deleted. OASN specifies the outstanding recovery element to be deleted. RESET causes an incomplete unit of work assigned to an external subsystem (not a CCTL subsystem) to be deleted.

**SURV**

Specifies that the interval or timeout value on the active or alternate system in an XRF environment is changed. The following keyword parameters identify the surveillance mechanism:

<b>LNK</b>	IMS ISC link
<b>LOG</b>	IMS system log
<b>RDS</b>	IMS restart data set
<b>ALL</b>	Same as specifying LNK, LOG, and RDS

The INTERVAL or TIMEOUT keyword identifies the new value in seconds and must be in the range 1 through 99. When /CHANGE SURV is entered on the active system, it becomes effective on both the active and alternate systems, if the alternate system is up. If entered on the alternate system, only the alternate system is changed.

It is recommended that surveillance be changed on the active system and allowed to take affect on the alternate system.

Additional considerations when changing the TIMEOUT values are shown in Table 23 Listed in the table are the TIMEOUT value requirements for certain systems where the command is entered on and the action taken for exceptions.

Table 23. Changing the TIMEOUT Value

System the Command is Entered on	Requirement	Action Taken for Exceptions
Active	New timeout value must be $\geq$ twice the active interval value.	DFS3832 issued. Active timeout value forced to twice the active interval value.
Alternate	Alternate interval value must be $\geq$ active interval value.	DFS3812 issued. Alternate interval value forced to active interval value.
Alternate	New timeout value must be $\geq$ twice the alternate interval value.	DFS3832 issued. Alternate timeout value forced to twice the alternate interval value.

Additional considerations when changing the INTERVAL values are shown in Table 24 Listed in the table are the INTERVAL value requirements for certain systems where the command is entered and the action taken for exceptions.

Table 24. Changing the INTERVAL Value

System the Command is Entered on	Requirement	Action Taken for Exceptions
Active	Twice the new interval value must be $\leq$ active timeout value.	DFS3832 issued. Active timeout value forced to twice the new interval value.
Alternate	Alternate interval value must be $\geq$ active interval value.	DFS3812 issued. Alternate interval value forced to active interval value.
Alternate	New alternate interval value must be $\geq$ alternate LOG interval value (LNK and RDS).	DFS3833 issued. Alternate interval value forced to alternate log interval value.
Alternate	New alternate interval value $\leq$ alternate RDS and LNK interval value (LOG only).	DFS3833 issued. Alternate interval value forced to alternate RDS then LNK interval value.
Alternate	Twice the new interval value must be $\leq$ alternate timeout value.	DFS3832 issued. Alternate timeout value forced to twice the new interval value.

### TRAN, MAXRGN

The MAXRGN keyword is used with the TRAN keyword to change the maximum number of regions that can be simultaneously scheduled for a given transaction. The transaction must be eligible for parallel scheduling (load balancing). For static transactions, the MAXRGN parameter (*#regions*) is initially set by system definition using the TRANSACT macro statement. For CPI Communications driven transactions, the initial value is obtained from the TP profile. The value of *#regions* must be between 0 and the number specified on the *MAXPST=region* parameter.

**Related Reading:** For more information on the TP profile, see the *IMS Version 9: Administration Guide: Transaction Manager*. For more information about the *MAXPST=* parameter, see the *IMS Version 9: Installation Volume 2: System Definition and Tailoring*.

The /DISPLAY TRAN command indicates whether a transaction is eligible for load balancing with a status of BAL, followed (in parentheses) by the current maximum number of regions that can be simultaneously scheduled.

### UOR

Specifies that IMS should resolve units of recovery (UORs) for protected resources on the RRS/z/OS recovery platform.

**Recommendation:** Use /CHANGE UOR only when you are certain that no other resource managers would be adversely affected after IMS resolves the UOR.

*prtkn*

Specifies the six-byte pseudotoken that designates the UOW to be committed. Use the /DISPLAY UOR command to obtain the *prtkn*.

If you specify ALL, the /CHANGE UOR command affects all units of recovery.

### ABORT

Specifies that IMS back out changes for the protected resources.

### COMMIT

Specifies that IMS make changes permanent for the protected resources.

### USER

Specifies that an ETO will change. The user parameter cannot be generic.

### AUTOLOGON

Specifies that the autologon information previously specified by a user descriptor, the output creation exit routine (DFSINSX0), or the signon exit routine (DFSSGNX0) is being updated dynamically.

*nodename*

Specifies the autologon terminal session for the specified user. Omitting the nodename clears all autologon information.

### MODE

Specifies the VTAM mode table entry name.

### LOGOND

Specifies the logon descriptor used to build the terminal control blocks.

**ID** Specifies the ISC partner's half-session qualifier (if the terminal is ISC).

### NOSAVE

Indicates that the changed autologon information should not be retained. Deletion of the user occurs when an IMS checkpoint is taken, at session termination, IMS restart, or XRF takeover. If SAVE and NOSAVE are omitted, IMS uses the system-wide default as specified in the DFSDCxxx PROCLIB member.

### SAVE

Indicates that the changed autologon information should be retained. This keyword prevents deletion of the user and remains in effect across a restart or XRF takeover until another /CHANGE command with the NOSAVE option is issued. If SAVE and NOSAVE are omitted, IMS uses the system-wide default as specified in the DFSDCxxx PROCLIB member.

If global resource information is kept in Resource Manager, the change is applied globally when the SAVE keyword is specified. If SAVE is not specified in this environment, the command is rejected.

---

## Examples

### Example 1 for /CHANGE Command

This set of examples shows that an INDOUBT unit of recovery can be aborted if the INDOUBT status cannot be resolved. The /CHANGE ... PRTKN command backs out changes made to the database.

Entry ET:

```
/DISPLAY CCTL CICS1 IND
```

Response ET:

CCTL	PSEUDO-RTKN	RECOVERY-TOKEN	REGID	PSBNAME	STATUS
CICS1					ATTACHED
	000100C0	9FFA956B7AE24E00		BMP255	INDOUBT
	00010040	9FFA9568FF594301		BMP255	INDOUBT
*90067/113446*					

Entry ET:

```
/CHANGE CCTL CICS1 PRTKN 000100C0 ABORT (EOM)
```

Response ET:

```
DFS058I CHANGE COMMAND COMPLETED
DBS0699I REYNC ABORT COMPLETE FOR PSB BMP255...
```

Explanation: The INDOUBT unit of recovery whose pseudo recovery token (PRTKN) is 000100C0 has been aborted.

### Example 2 for /CHANGE Command

This set of commands illustrate how the ASR setting of a link can be modified by the /CHANGE command:

Entry ET:

```
/DISPLAY LINK 6
```

Response ET:

LINK	PARTNER	RECD	ENQCT	DEQCT	QCT	SENT	
6	AL	0	0	0	0	0	ASR PSTOPPED IDLE COLD
*90179/102004* IMSA							

Explanation: Automatic Session Restart was defined for link 6 by system definition.

Entry ET:

```
/CHANGE LINK 6 ASR OFF (EOM)
```

Response ET:

```
DFS058I CHANGE COMMAND COMPLETED
```

Entry ET:

```
/DISPLAY LINK 6
```

Response ET:

```
LINK PARTNER  RECD  ENQCT  DEQCT  QCT  SENT
  6 AL         0      0      0      0      0 PSTOPPED IDLE COLD
*90179/102126*
```

Explanation: Automatic Session Restart is not available for link 6

Entry ET:

```
/CHANGE LINK 6 ASR (EOM)
```

Response ET:

```
DFS058I  CHANGE COMMAND COMPLETED
```

Explanation: The ASR parameter will default to ON.

Entry ET:

```
/DISPLAY LINK 6
```

Response ET:

```
LINK PARTNER  RECD  ENQCT  DEQCT  QCT  SENT
  6 AL         0      0      0      0      0 ASR PSTOPPED IDLE COLD
*90179/102300*
```

Explanation: Automatic Session Restart is in effect again as a result of the second /CHANGE command.

### Example 3 for /CHANGE Command

Changing ASR for NODE or NODE/USER is similar to changing ASR for LINK. See the previous example for the commands used to change ASR.

### Example 4 for /CHANGE Command

Entry ET:

```
/DISPLAY NODE LUTYPEP1 MODE
```

Response ET:

```
NODE-USR  TYPE  DEF MODETBL  ACT MODETBL
LUTYPEP1  SLUP  DEFRESP
*90179/100630*
```

Explanation: DEFRESP is the mode table name defined for node LUTYPEP1 at system definition or logon descriptor or resource creation. The session is not active so the active mode table field (ACT MODETBL) is blank.

Entry ET:

```
/CHANGE NODE LUTYPEP1 MODE XXXXXXXX (EOM)
```

Response ET:

```
DFS058I  CHANGE COMMAND COMPLETED
```

Entry ET:

```
/DISPLAY NODE LUTYPEP1 MODE
```

Response ET:

```

NODE-USR TYPE   DEF MODETABL ACT  MODETABL
LUTYPEP1 SLUP   XXXXXXXXX
*84179/100733*

```

Explanation: The default mode table name has been changed to XXXXXXXXX by the previous /CHANGE command. The session is still not active so the active mode table field (ACT MODETABL) is blank.

## Example 5 for /CHANGE Command

Entry ET:

```
/DISPLAY NODE LUTYPEP
```

Response ET:

```

NODE-USR  TYPE   CID      RECD  ENQCT  DEQCT  QCT  SENT
LUTYPEP   SLUP   00000000   37   37     37    0   37  IDLE
*98276/153630*

```

Explanation: Node LUTYPEP is terminated warm after session received and processed 37 messages.

Entry ET:

```
/CHANGE NODE LUTYPEP COLDSESS (EOM)
```

Response ET:

```
DFS058I CHANGE COMMAND COMPLETED
```

Entry ET:

```
/DISPLAY NODE LUTYPEP
```

Response ET:

```

NODE-USR  TYPE   CID      RECD  ENQCT  DEQCT  QCT  SENT
LUTYPEP   SLUP   00000000    0    0     0    0    0  IDLE COLD
*98279/153630*

```

Explanation: Terminal and user blocks associated with node LUTYPEP have been cleared and the status has been reset to COLD.

## Example 6 for /CHANGE Command

Entry ET:

```
/CHANGE PASSWORD 1234 TO WXYZ (EOM)
```

Response ET:

```
DFS058I CHANGE COMMAND COMPLETED
```

Explanation: Password 1234 is changed to password WXYZ.

## Example 7 for /CHANGE Command

Entry ET:

```
/CHANGE SUBSYS DSN RESET (EOM)
```

Response ET:

```
DFS058I CHANGE COMMAND COMPLETED
```

Explanation: Reset all IN-DOUBT recovery units for subsystem DSN.

## Example 8 for /CHANGE Command

Entry ET:

```
/CHANGE SUBSYS ALL RESET (EOM)
```

Response ET:

```
DFS058I CHANGE COMMAND COMPLETED
```

Explanation: Reset all IN-DOUBT recovery units for all subsystems.

## Example 9 for /CHANGE Command

Entry ET:

```
/CHANGE SUBSYS ABCD OASN 99 685 2920 RESET (EOM)
```

Response ET:

```
DFS058I CHANGE COMMAND COMPLETED
```

Explanation: Reset IN-DOUBT recovery units identified by OASN numbers 99, 685, 2920 for subsystem ABCD.

## Example 10 for /CHANGE Command

This set of commands illustrates how SURVEILLANCE can be modified by the /CHANGE command.

Entry ET (Alternate system):

```
/DISPLAY HSB
```

Response ET (Alternate system):

RSENAME	STATUS	PHASE	IMS-ID	VTAM UVAR	ACT-ID	LOG-TIME
DFSRSENM	BACKUP	TRK	IMSB	USERVAR	IMSA	10:35:17
	BACKUP SYSTEM			ACTIVE SYSTEM		
SURVEILLANCE	INTERVAL	TIMEOUT	STATUS	INTERVAL	TIMEOUT	STATUS
LOG		2	99 INACTIVE	2	99	INACTIVE
LNK		4	99 INACTIVE	4	99	INACTIVE
RDS		3	99 INACTIVE	3	99	INACTIVE
TAKEOVER CONDITIONS - ALARM AUTO						
RDS LINK LOG			*RDS LINK			
VTAM			*IRLM			
*91226/103517*						

Entry ET (Alternate system):

```
/CHANGE SURVEILLANCE LNK INTERVAL 3 (EOM)
```

Response ET (Alternate system):

```
DFS058I CHANGE COMMAND COMPLETED
DFS3812I BACKUP LNK INTERVAL VALUE OF 3 HAS BEEN FORCED TO ACTIVE VALUE OF 4
DFS3811I LNK SURVEILLANCE INACTIVE: INTERVAL VALUE CHANGED FROM 4 TO 4
```

Explanation: An attempt to change the interval value was made by entering /CHANGE on the alternate system. The new alternate interval value was not  $\geq$  the active interval value so IMS forced the interval to the active value and issued asynchronous message DFS3812. Asynchronous message DFS3811 indicates the status of the change following the above action by IMS.



## Example 11 for /CHANGE Command

The following commands illustrate how to change the maximum number of regions that can be simultaneously scheduled for a given transaction.

Entry ET:

```
/DISPLAY TRANSACTION SKS7
```

Response ET:

```

TRAN  CLS ENQCT  QCT  LCT  PLCT CP NP LP SEGSZ  SEGNO PARLM RC
SKS7   7   0    0 65535 65535 8 8 8    0    0    1  0
      PSBNAME: DFSDDL7
      STATUS: BAL( 2)
      *90226/134816*
```

Explanation: The status of transaction SKS7 indicates it is eligible for load balancing (BAL) and that two regions can be simultaneously scheduled.

Entry ET:

```
/CHANGE TRANSACTION SKS7 MAXRGN 4 (EOM)
```

Response ET:

```
DFS058I CHANGE COMMAND COMPLETED
```

Entry ET:

```
/DISPLAY TRANSACTION SKS7
```

Response ET:

```

TRAN  CLS ENQCT  QCT  LCT  PLCT CP NP LP SEGSZ  SEGNO PARLM RC
SKS7   7   0    0 65535 65535 8 8 8    0    0    1  0
      PSBNAME: DFSDDL7
      STATUS: BAL( 4)
      *90226/134845*
```

Explanation: The maximum number of regions that can be simultaneously scheduled for transaction SKS7 has been changed from 2 to 4.

## Example 12 for /CHANGE Command

The following commands illustrate the changing of a unit of recovery.

Entry ET:

```
/CHANGE UOR 010040 ABORT
```

Response ET:

```

DFS058I CHANGE COMMAND COMPLETED
DFS0699I RESYNC ABORT COMPLETE FOR PSB STLDL1, PRTKN=00010040,
      TOKEN IMS2 0000000100000000 IMS2
      *97226/134816*
```

Explanation: IMS backs out changes for pseudo recovery token 010040.

Entry ET:

```
/CHANGE UOR 010040 COMMIT
```

Response ET:

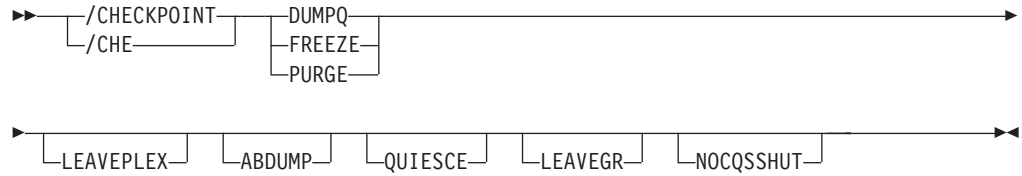
```
DFS058I CHANGE COMMAND COMPLETED
DFS0699I RESYNC COMMIT COMPLETE FOR PSB STLDL1, PRTKN=00010040,
      TOKEN IMS2  0000000100000000 IMS2
*97226/134816*
```

Explanation: IMS makes changes for pseudo recovery token 010040 permanent.

## Chapter 9. /CHECKPOINT

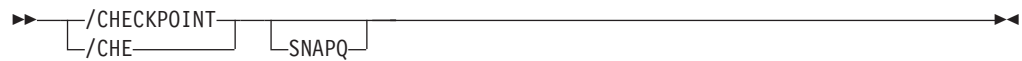
### Format

#### Shutdown Checkpoint

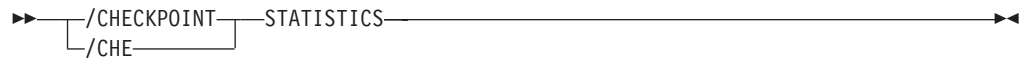


**Attention:** This command shuts down your IMS system. Be sure you understand the consequences of shutting down the system before you issue this command.

#### Simple Checkpoint



#### Statistics Checkpoint



### Environments and Keywords

Table 25 lists the environments (DB/DC, DBCTL, and DCCTL) from which the command and keywords can be issued.

Table 25. Valid Environments for the /CHECKPOINT Command and Keywords

Command / Keyword	DB/DC	DBCTL	DCCTL
/CHECKPOINT	X	X	X
ABDUMP	X	X	X
DUMPQ	X		X
FREEZE	X	X	X
LEAVEPLEX	X	X	X
NOCQSSHUT	X		X
PURGE	X	X	X
QUIESCE	X		X
SNAPQ	X		X
STATISTICS	X	X	X

---

## Usage

The /CHECKPOINT command records control and status information on the system log. /CHECKPOINT can be used to take a simple checkpoint of IMS, with the option of also dumping the contents of the message queue data sets to the system log or to shut down IMS normally. When IMS is shut down by the /CHECKPOINT command, it can be restarted with the /NRESTART command.

There are two conditions under which IMS cannot complete a shutdown normally. The most frequent is when there are multiple-page messages on a master terminal BTAM line, paging is not complete, and the master terminal is sharing a communication line with other physical terminals. It might be necessary to use the /ASSIGN command to reassign the master terminal to a line by itself so that the /IDLE command can be issued to terminate the multiple page output. If the master terminal cannot be reassigned to another line, assign it to the system console line.

The second condition occurs when a number of IMS-generated system messages are awaiting delivery to the master terminal. All system messages destined for the master terminal will be delivered, because they can impact the way the system is restarted. The master terminal operator should acknowledge delivery of a message by causing an I/O interrupt; that is, pressing PA2, which in turn causes another message to be sent, if one exists. Another option is to assign the master terminal to the system console.

When the /CHECKPOINT command is used to shut down IMS, the /BROADCAST command can be helpful in notifying the remote terminal operators that IMS is shutting down.

### **(blank)**

Requests a simple checkpoint. Simple checkpoints are also invoked by IMS based on the number of entries to the system log. The number of log entries between simple checkpoints is specified during system definition. In an ETO environment, any dynamic nodes, LTERMs or users with no messages queued or status are deleted.

### **ABDUMP**

Requests an abnormal termination dump of the IMS control region in addition to the shutdown option selected.

In a DBCTL environment, when /CHECKPOINT FREEZE ABDUMP is entered, all of the DBCTL address spaces are dumped.

### **FREEZE | DUMPQ | PURGE**

Requests a shutdown of IMS. These variations of shutdown are provided for control over the method of stopping programs and lines, and to control the method of disposing of queues. The effects of these variations are shown in Table 26 on page 141. The request for a checkpoint shutdown might not be responded to immediately if any dependent regions are active. IMS will wait until these regions complete their current processing before continuing with the checkpoint shutdown. Message resynchronization for a specified transaction pipe does not affect IMS shutdown.

**Restriction:** A shutdown checkpoint is not allowed in a shared-queues environment if the CQS is not available.

Connections to external subsystems (not CCTL subsystems) will be quiesced. Connection attempts originating from dependent regions will be prohibited. After all dependent region connections have terminated, the control region will terminate its connection.

The DUMPQ and SNAPQ keywords designate starting points from which the message queue data sets can be rebuilt. However, the SNAPQ option dumps the message queues online while IMS is running without causing a shutdown of IMS.

The PURGE keyword attempts to empty all the queues so that no outstanding work remains. For DBCTL, IMS performs FREEZE processing because there are no message queues.

The FREEZE keyword shuts down IMS pending actions shown in Table 26 For DBCTL, active CCTL threads are allowed to complete before this keyword takes effect. This is also true when ABDUMP is used with this keyword. In the DBCTL environment, a /CHECKPOINT command with the PURGE keyword will be processed as though the FREEZE keyword was used instead of PURGE. /CHECKPOINT FREEZE in the DBCTL environment is correct because there are no message queues to empty.

In a DBCTL environment, when /CHECKPOINT FREEZE ABDUMP is entered, all of the DBCTL address spaces are dumped.

In a shared-queues environment, the DUMPQ and PURGE keywords cause IMS to shut down (as if you entered a /CHECKPOINT FREEZE command), but the message queues are not dumped or purged because the local IMS subsystem has no local queues. To dump the shared message queues when CQS terminates, use the /CQSET command before issuing the IMS shutdown checkpoint command.

Table 26 displays when to issue one of the three IMS shutdown options (FREEZE, DUMPQ, and PURGE) and the effect on the IMS resource.

Table 26. IMS Shutdown Options and Their Effect on IMS Resources

Resource Status	FREEZE Keyword	DUMPQ Keyword	PURGE Keyword
Message processing regions stopped	At program completion	At program completion	When transaction queues are empty
Batch message processing regions stopped	At checkpoint, SYNC call, or program completion	At checkpoint, SYNC call, or program completion	At program completion
Line input stopped	At message completion	At message completion	At message completion
Line output stopped	At message completion	At message completion	When all messages complete
Transaction and message queues	Retained in queue data sets	Dumped to system log	Emptied normally
Message-driven regions stopped	At message completion	At program completion	When transaction queues are empty
Fast Path output messages queued	Dumped to system log	Dumped to system log	Emptied normally
Fast Path input messages queued	Discarded	Emptied normally	Emptied normally
Fast Path DEDB online utility region	At program completion	At program completion	At program completion
Fast Path DEDBs	Closed	Closed	Closed
MSDBs	Dumped to MSDB checkpoint data set	Dumped to MSDB checkpoint data set	Dumped to MSDB checkpoint data set

Table 26. IMS Shutdown Options and Their Effect on IMS Resources (continued)

Resource Status	FREEZE Keyword	DUMPQ Keyword	PURGE Keyword
CCTL Regions	See <i>IMS Version 9: Application Programming: Database Manager</i> for a discussion of DRA threads.		

**LEAVEGR**

Deletes all affinities from the VTAM affinity table for the IMS subsystem on which this command is issued. Using this keyword removes the IMS subsystem from the generic resource group.

**Recommendation:** Cold start the DC component of an IMS subsystem that has been shut down with the LEAVEGR keyword to ensure that all affinities in IMS control blocks are also deleted. The IMS subsystem rejoins the generic resource group during startup.

If the VTAM ACB is closed (usually because of a /STOP DC command), a shutdown checkpoint command with the LEAVEGR keyword is rejected.

**LEAVEPLEX**

In an IMSplex, this keyword is specified if the IMS that is being shut down is not going to rejoin the IMSplex. Specify the LEAVEPLEX keyword when you do not intend to bring the IMS back up in the IMSplex.

If LEAVEPLEX is specified, and the IMS is a member of an IMSplex with global online change enabled, an attempt is made to remove the IMS's ID from the OLCSTAT data set. If there is any error in removing the IMS ID from the OLCSTAT, message, DFS3443, DFS3444, or DFS3448 is written out to the system console and the IMS is shut down. In this case, the IMS ID may still be in the OLCSTAT data set and will have to be deleted using the DFSUOLC utility.

**NOCQSSHUT**

Is used with the /CHE DUMPQ, /CHE FREEZE, or /CHE PURGE commands to **not** shut down the CQS address space when the IMS control region terminates. The CQS address space remains active and connected to the message queue structures. NOCQSSHUT is only applicable when IMS is running in a shared-queues environment. The default is to shut down the CQS address space when the IMS control region terminates.

**QUIESCE**

Halts processing of all VTAM terminals. When QUIESCE is specified, IMS sends the VTAM shutdown indicator to all VTAM terminals and waits until these nodes have completed processing before performing the normal checkpoint shutdown. During the processing of a quiesce shutdown, the master terminal operator might want to terminate the VTAM network without waiting for the orderly termination to complete. This can be done by entering the /CHECKPOINT command again, either with FREEZE, DUMPQ, or PURGE but without QUIESCE.

**SNAPQ**

Requests a simple checkpoint and dumps the contents of the message queues to the system log.

In a shared-queues environment, /CHECKPOINT SNAPQ does not snap the queues because the local IMS subsystem has no local queues. Use the /CQCHKPT command to initiate a CQS structure checkpoint.

In an XRF environment, /CHECKPOINT SNAPQ synchronizes the active and alternate IMS subsystems.

### STATISTICS

Requests that IMS performance records be created and written to the system log. No other checkpoint processing occurs.

The /CHECKPOINT STATISTICS command does not create a system checkpoint on the log.

---

## Examples

### Example 1 for /CHECKPOINT Command

Entry ET:

```
/CHECKPOINT
```

Response ET:

```
DFS058I (time stamp) CHECKPOINT COMMAND IN PROGRESS  
DFS994I *CHKPT 82102/110247**SIMPLE*
```

Explanation: A simple checkpoint of IMS is written to the system log at 110247 (time) on 82102 (Julian date). The checkpoint number is 82102/110247.

### Example 2 for /CHECKPOINT Command

Entry ET:

```
/CHECKPOINT FREEZE
```

Response ET:

```
DFS058I (time stamp) CHECKPOINT COMMAND IN PROGRESS  
DFS994I *CHKPT 82206/120118**FREEZE*
```

Explanation: IMS is terminated after all checkpoint freeze functions complete. The checkpoint is written to the system log at 120118 (time) on 82206 (Julian date). The checkpoint number is 82206/120118.

### Example 3 for /CHECKPOINT Command

Entry ET:

```
/CHECKPOINT FREEZE QUIESCE
```

Response ET:

```
DFS058I (time stamp) CHECKPOINT COMMAND IN PROGRESS  
DFS994I *CHKPT 82102/110247**FREEZE*
```

Explanation: IMS is terminated after all VTAM nodes have returned a shutdown-complete indicator to IMS and IMS has completed all checkpoint freeze functions. The checkpoint is written to the system log at 110247 (time) on 82102 (Julian date). The checkpoint number is 82102/110247.

### Example 4 for /CHECKPOINT Command

Entry ET:

```
/CHECKPOINT PURGE ABDUMP
```

Response ET:

```
DFS058I (time stamp) CHECKPOINT COMMAND IN PROGRESS
DFS994I *CHKPT 82128/101112**PURGE*
```

Explanation: IMS is terminated after all checkpoint purge functions complete. The checkpoint is written to the system log at 101112 (time) on 82128 (Julian date). The checkpoint number is 82128/101112.

An z/OS ABEND message is issued when the dump of the IMS control region completes.

### **Example 5 for /CHECKPOINT Command**

Entry ET:

```
/CHECKPOINT PURGE
```

Response ET:

```
DFS058I (time stamp) CHECKPOINT COMMAND IN PROGRESS
DFS994I *CHKPT 82103/131415**PURGE*
```

Explanation: IMS is terminated after all checkpoint purge functions complete. The checkpoint is written to the system log at 131415 (time) on 82103 (Julian date). The checkpoint number is 82103/131415.

### **Example 6 for /CHECKPOINT Command**

Entry ET:

```
/CHECKPOINT STATISTICS
```

Response ET:

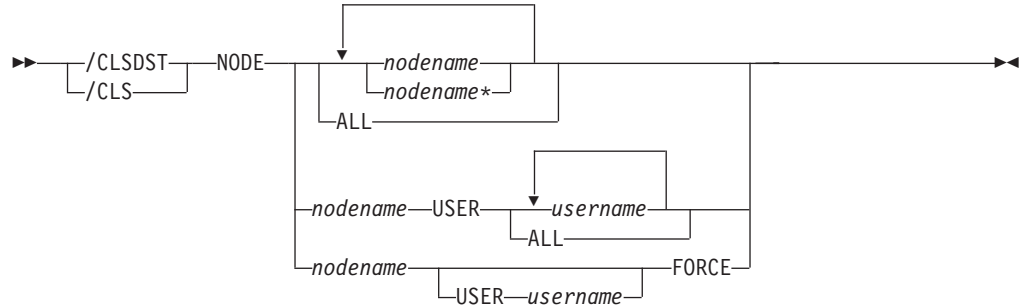
```
/DFS058I (timestamp) CHECKPOINT COMMAND IN PROGRESS
/DFS994I STATISTICS CHECKPOINT COMMAND COMPLETED
```

Explanation: IMS performance statistics records are written to the system log. No other information is saved. This checkpoint cannot be used for a system restart.



## Chapter 10. /CLSDST

### Format



### Environments and Keywords

Table 27 lists the environments (DB/DC, DBCTL, and DCCTL) from which the command and keywords can be issued.

Table 27. Valid Environments for the /CLSDST Command and Keywords

Command / Keywords	DB/DC	DBCTL	DCCTL
/CLSDST	X		X
FORCE	X		X
NODE	X		X
USER	X		X

### Usage

/CLSDST causes IMS to disconnect a VTAM terminal.

/CLSDST resets preset mode, test mode, response mode, lock node, lock LTERM, pstop LTERM, and purge LTERM, because these statuses are not significant and therefore are not kept after a logon or restart. /CLSDST will also do some other cleanup depending on the recovery settings for the node. Below are the actions taken:

#### RCVYSTSN=NO

/CLSDST acts like a /CHANGE NODE COLDSESS command for FINANCE and SLUP nodes by setting the session status to "cold". /CLSDST will act like a /QUIESCE NODE command for ISC (LU6.1) nodes by initiating the shutdown and deallocating the user for the specified node. This action changes the session status to cold. With these actions taken by the /CLSDST command, the next session initiation request for this node will be allowed to again attempt a session cold start. For ETO nodes, the control block structure could be deleted, if no significant status exists.

#### RCVYCONV=NO

/CLSDST causes any IMS conversations (active and held) to be terminated. Any conversational message that is queued or being processed will have its output response message delivered asynchronously.

**RCVYFP=NO**

/CLSDST causes Fast Path status and messages to be discarded.

If global resource information is not kept in Resource Manager (RM), /CLSDST logs a node off and resets status locally. If global resource information is kept in RM, /CLSDST resets status globally. If the node has no significant status, /CLSDST deletes the node in RM.

If ROUTE is specified, it should be specified with ROUTE(\*). The command fails if not routed to the IMS where the node is active.

**FORCE**

Allows IMS to reinitialize a hung node with I/O in progress. FORCE reinitializes one session and is valid only on an active IMS system. To activate FORCE, use the command /CLSDST NODE P1 FORCE. For ISC nodes with parallel sessions, the NODE and USER keywords must be specified and only one USER parameter is allowed.

FORCE operates under the following conditions:

- A display from VTAM indicates that no session exists. If a session does exist, or is in process, you must issue the VTAM command VARY NET,INACT,FORCE to terminate the session, and the command must successfully complete. This command terminates all parallel sessions.

**Attention:** If VARY NET,INACT,FORCE is not issued or does not successfully complete before you issue the FORCE command, and the terminal is in the process of creation or termination, the results might be unpredictable.

- The session is connected to IMS and output is in progress. A /DISPLAY on the node indicates that a CID exists, that the node is connected (a status of CON is displayed), and that the node is not idle (a status of IDLE is not displayed).

**NODE**

Specifies the node to be disconnected by IMS. The specified node must be connected before a command is issued to disconnect it, as indicated by CON on the /DISPLAY NODE command referring to that terminal.

If the USER keyword is omitted for ISC nodes, all half-sessions of a session type 6 node are terminated. If the USER keyword is omitted, generic parameters are allowed for the NODE keyword.

The timing of the disconnection depends on the type of terminal:

- For keyboards or printers, console components and interactive terminals, the disconnection occurs at the next message boundary.
- For component types that group messages (such as a SLU 1 statement reader, printer, or disk), the disconnection occurs at the end of any group where processing is in progress.
- For 3270 displays, the disconnection occurs at the completion of the current (if any) I/O operation.

**USER**

Must be specified with the NODE keyword. NODE USER specifies the ISC user allocated to the ISC node or the dynamic user signed on to the dynamic node. When a /CLSDST NODE nodename USER username command is issued, it only affects the NODE if the USER is still associated with the node.

For non-ISC dynamic nodes, this command is valid only if the user is still signed on to the node. For ISC nodes, the half-sessions of the ISC node

allocated to the specific users are terminated and the users are not deallocated from the session. On restart, the /OPNDST command must specify the same users and ID pairs.

---

## **Example for /CLSDST Command**

Entry ET:

```
/CLSDST NODE WEST
```

Response ET:

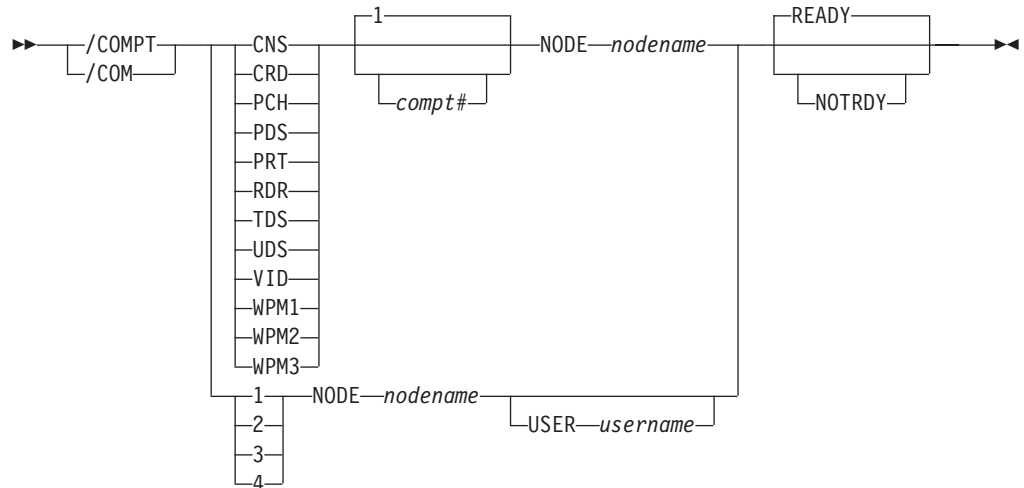
```
DFS058I CLSDST COMMAND COMPLETED
```

Explanation: The node, WEST, is disconnected from IMS.



# Chapter 11. /COMPT

## Format



## Environments and Keywords

Table 28 lists the environments (DB/DC, DBCTL, and DCCTL) from which the command and keywords can be issued.

Table 28. Valid Environments for the /COMPT Command and Keywords

Command / Keywords	DB/DC	DBCTL	DCCTL
/COMPT	X		X
CNS	X		X
CRD	X		X
NODE	X		X
NOTRDY	X		X
PCH	X		X
PDS	X		X
PRT	X		X
RDR	X		X
READY	X		X
TDS	X		X
UDS	X		X
USER	X		X
VID	X		X
WPM1	X		X
WPM2	X		X
WPM3	X		X

---

## Usage

/COMPT sets a particular terminal component to a ready/not ready state. Output messages queued for a particular component will not be sent unless the component is ready. Depending on terminal type and the availability of messages queued for other components, output operations for other components can continue.

The ready/not ready state set by the /COMPT command can be altered by the following:

- Another /COMPT command
- A /START, /RSTART, or /RCOMPT command
- An I/O error on the terminal component

/COMPT can only refer to a VTAM-attached terminal component.

**Restriction:** When the /COMPT command contains the keyword CRD, it cannot also contain any of the following keywords: WPM1, WPM2, or WPM3.

The command format takes two forms. That is, a component can be referenced by using a keyword, such as VID, or by using a number, such as 2.

When a keyword is used, a search is made of the components (as defined in the TERMINAL macro during IMS system definition) for the component type defined that corresponds to the specified keyword.

When a match is found, that component is made ready/not ready as specified by the command. If a number other than 1 follows the keyword, the corresponding occurrence of that component type is made ready/not ready.

/COMPT supports up to 4 components. When a number from 1 through 4 is used instead of a keyword, the component affected is the one defined in that position during system definition, independent of component type. The USER keyword is required when nodename is an ISC node with users.

For more information about component support, see Chapter 5, "/ASSIGN," on page 99

---

## Examples

### Example 1 for /COMPT Command

Entry ET:

```
/COMPT 4 NODE ABC READY
```

Response ET:

```
DFS058I  COMPT COMMAND COMPLETED
```

Explanation: The fourth component defined in the TERMINAL macro on node ABC is made ready to IMS.

### Example 2 for /COMPT Command

Entry ET:

```
/COMPT VID 2 NODE ABC READY
```

Response ET:

DFS058I COMPT COMMAND COMPLETED

Explanation: The second display component on node ABC is declared operable to IMS.







---

## Examples

### Example 1 for /CQCHKPT Command

Entry ET:

```
/CQCHKPT SYSTEM STRUCTURE IMSMSGQ01
```

Response ET:

```
DFS058I CQCHKPT COMMAND IN PROGRESS
CQS0030I SYSTEM CHECKPOINT COMPLETE, STRUCTURE IMSMSGQ01      ,
LOGTOKEN 0000000001687D3F CQS1CQS
DFS1972I CQCHKPT SYSTEM  COMMAND COMPLETE FOR STRUCTURE=IMSMSGQ01
```

Explanation: A CQS system checkpoint completes successfully.

**Recommendation:** Record the log token displayed in the CQS0030I message because you might need it for a CQS restart.

### Example 2 for /CQCHKPT Command

Entry ET:

```
/CQCHKPT SHAREDQ STRUCTURE IMSMSGQ01
```

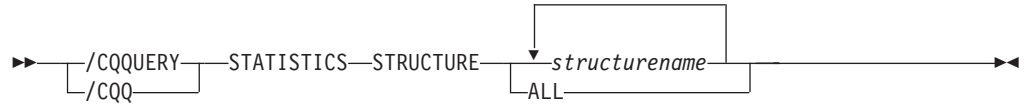
Response ET:

```
DFS058I CQCHKPT COMMAND IN PROGRESS
CQS0220I CQS CQS1CQS  STARTED STRUCTURE CHECKPOINT FOR
STRUCTURE IMSMSGQ01      CQS1CQS
CQS0200I STRUCTURE IMSMSGQ01      QUIESCED FOR
STRUCTURE CHECKPOINT CQS1CQS
CQS0201I STRUCTURE IMSMSGQ01      RESUMED AFTER
STRUCTURE CHECKPOINT CQS1CQS
CQS0030I SYSTEM CHECKPOINT COMPLETE, STRUCTURE IMSMSGQ01      ,
LOGTOKEN 0000000001688652 CQS1CQS
CQS0221I CQS CQS1CQS  COMPLETED STRUCTURE CHECKPOINT
FOR STRUCTURE IMSMSGQ01      CQS1CQS
DFS1972I CQCHKPT SHAREDQ COMMAND COMPLETE FOR STRUCTURE=IMSMSGQ01
```

Explanation: A CQS structure checkpoint for a specific structure completes successfully.

## Chapter 13. /CQQUERY

### Format



### Environments and Keywords

Table 30 lists the environments (DB/DC, DBCTL, and DCCTL) from which the command and keywords can be issued.

Table 30. Valid Environments for the /CQQUERY Command and Keywords

Command / Keywords	DB/DC	DBCTL	DCCTL
/CQQUERY	X		X
STATISTICS	X		X
STRUCTURE	X		X

### Usage

The /CQQUERY command displays information regarding a specific coupling facility list structure or all the coupling facility list structures holding IMS messages. The /CQQUERY STATISTICS command displays the statistics and status information for the coupling facility list structures specified by the STRUCTURE keyword. The following statistics information is displayed:

- Number of data elements that can be allocated in the structure
- Number of list entries that can be allocated in the structure
- Number of data elements in use in the structure
- Number of list entries in use in the structure
- Entry to element ratio

This command is valid only in a shared-queues environment.

In an IMSplex, /CQQUERY displays information regarding a specific shared queue coupling facility list structure or all the shared queue coupling facility list structures holding IMS messages. /CQQUERY does not display any information about resource structures.

When the /CQQ command is issued through OM, command processing is not serialized through the IMS CTL TCB.

#### STATISTICS

Specifies that statistics should be gathered and displayed.

#### STRUCTURE

Specifies that one or more structure names follow.

Only primary, coupling facility list-structure names used by IMS for shared queues are valid.

## Examples

### Example 1 for /CQQUERY Command

Entry ET:

```
/CQQUERY STATISTICS STRUCTURE ALL
```

Response ET:

STRUCTURE NAME	LEALLOC	LEINUSE	ELMALLOC	ELMINUSE	LE/EL
IMSMGQ01	272	4	541	4	0001/0002
IMSMGQ010FLW	N/A	N/A	N/A	N/A	N/A
IMSEMHQ01	272	3	541	3	0001/0002
IMSEMHQ010FLW	N/A	N/A	N/A	N/A	N/A
*97211/120123*					

Explanation: This command displays the structure statistics of the message queue and Fast Path EMH queue structures used by IMS. The list entries allocated (LEALLOC), the list entries in use (LEINUSE), the elements allocated (ELMALLOC) and the elements in use (ELMINUSE) show the usage of the structures. When CQS allocates a structure, it allocates a certain number of list entries and elements to manage data on the structure. A structure is full if all list entries are in use or if all elements are in use.

### Example 2 for /CQQUERY Command

Entry ET:

```
/CQS STATISTICS STRUCTURE IMSMSGQ01
```

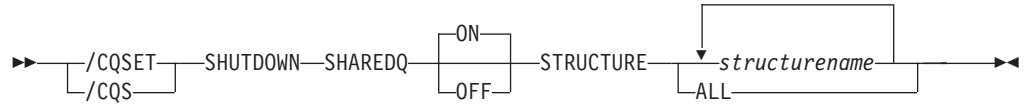
Response ET:

STRUCTURE NAME	LEALLOC	LEINUSE	ELMALLOC	ELMINUSE	LE/EL
IMSMG101	9132	9027	9130	9071	0001/0001
IMSMGQ010FLW	1915	1866	1912	1866	0001/0001
*00039/180909*					

Explanation: This command displays the structure statistics of the message queue structure used by IMS and its associated overflow queue.

## Chapter 14. /CQSET

### Format



### Environments and Keywords

Table 31 lists the environments (DB/DC, DBCTL, and DCCTL) from which the command and keywords can be issued.

Table 31. Valid Environments for the /CQSET Command and Keywords

Command / Keyword	DB/DC	DBCTL	DCCTL
/CQSET	X		X
SHAREDQ	X		X
SHUTDOWN	X		X
STRUCTURE	X		X

### Usage

Use a /CQSET SHUTDOWN SHAREDQ ON|OFF command to tell CQS whether to take a structure checkpoint during normal shutdown. You can specify a structure checkpoint for a specific coupling facility or for all coupling facility list structures used by IMS.

IMS initiates a normal CQS shutdown during a normal IMS shutdown.

This command is valid only in a shared-queues environment.

In an IMSplex, when the /CQS command is issued through OM command processing, it is not serialized through the IMS CTL TCB.

#### SHAREDQ

Specifies that the entire queue structure is to be checkpointed to the structure recovery data set. While the checkpoint is in progress for the structure, no CQS can access the structure.

During a structure checkpoint, every CQS connected to that structure also takes a system checkpoint.

#### SHUTDOWN

Specifies that CQS should take a structure checkpoint during normal CQS shutdown.

#### STRUCTURE

Specifies a specific structure name (or all) for which a CQS checkpoint is to be taken. If an overflow structure exists for a structure, a checkpoint is taken for both the primary and overflow structure.

---

## Example for /CQSET Command

Entry ET:

```
/CQSET SHUTDOWN SHAREDQ ON STRUCTURE ALL
```

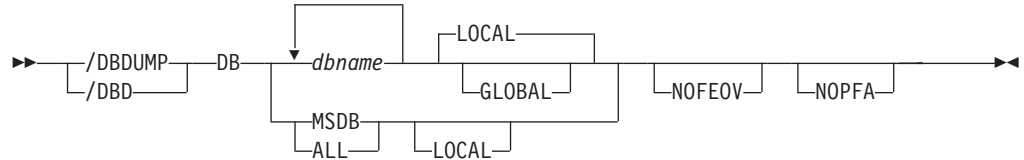
Response ET:

```
DFS058I CQSET COMMAND COMPLETE
```

Explanation: CQS will take a structure checkpoint when it shuts down.

# Chapter 15. /DBDUMP

## Format



## Environments and Keywords

Table 32 lists the environments (DB/DC, DBCTL, and DCCTL) from which the command and keywords can be issued.

Table 32. Valid Environments for the /DBDUMP Command and Keywords

Command / Keywords	DB/DC	DBCTL	DCCTL
/DBDUMP	X	X	
DB	X	X	
GLOBAL	X	X	
LOCAL	X	X	
NOFEOV	X	X	
NOPFA	X	X	

## Usage

/DBDUMP is used to prevent transactions or programs from updating DL/I databases. It also can be used to dump all MSDBs to the MSDB dump data set. /DBDUMP does not apply to DEDBs.

The /DBDUMP command can be used on HALDBs. For more information see Appendix H, "High Availability Large Database Commands," on page 867

For the results of issuing this command on a shared secondary index, see Appendix D, "Shared Secondary Index Database Commands," on page 849

In an IMSplex, the output of the /DBD command is changed when the command is entered through the OM API. In this case, the DFS058I message is not returned to OM. The command response returned to OM contains one or more of the following messages as appropriate to the database type and the command completion.

Full Function Database messages: DFS132, DFS160, DFS216, DFS0488I, DFS1407, DFS2026, DFS3318I, DFS3320I, DFS3321I, DFS3325I, DFS3462I, DFS3463I, DFS3466I

### DB

Specifies the databases to which the /DBDUMP command applies. When the /DBDUMP command is entered, the message processing regions using the

specified databases are terminated at the conclusion of processing their current transactions, in preparation to close the database and allow it to be opened for input only.

If a DL/I database specified in the command is being used by a batch message processing region, an error message is returned to the master terminal. When this message is issued, the command is ignored for the database named in the message; processing continues for the other databases specified in the command. The master terminal operator must wait until the batch message processing concludes processing before reentering the command.

As the message processing regions terminate programs, the data sets of the named databases in the command are closed. The IMS log switches to the next OLDS. This switch to the next OLDS is marked as a recovery point for log archiving purposes. IMS issues a simple checkpoint. The scheduling of transactions is then resumed, although no transactions will be allowed to update the specified databases. Programs with update intent will be scheduled, but update calls to the database will result in a 3303 pseudoabend or a BA status if the INIT call was issued.

/DBDUMP can be used to dump all the MSDBs to the MSDB dump data set by specifying the reserved parameter MSDB with the DB keyword when entering the /DBDUMP DB command or by entering the /DBDUMP DB ALL command. The MSDBs dumped to the MSDB dump data set can be used as input to the MSDB dump recovery utility. A specific MSDB cannot be a parameter of the DB keyword.

The /START DB command resets the effect of the /DBDUMP command. The /START command is not required for MSDBs, because the data for these databases resides in processor storage, and the databases are never closed.

For DBCTL, when CCTL schedules a PSB, the DBCTL thread SCHED request defines the thread as LONG or SHORT. If the database is currently scheduled to a LONG thread, the command is rejected; otherwise, the thread is allowed to "complete" before the database is acted upon. This results in either a commit point or transaction termination.

## GLOBAL

Applies when an IRLM is active and specifies that the command applies to all online subsystems sharing the database. The /DBDUMP command with the GLOBAL keyword puts the database in read status and prevents transactions from updating the database in all online subsystems that share the database.

The GLOBAL keyword is mutually exclusive with the ALL parameter or the MSDB parameter and causes the command to be rejected if both parameters are specified. The GLOBAL keyword requires that IRLM be active and will cause the command to be rejected if IRLM is not active.

If the GLOBAL keyword on a command is entered from an OM API, the command should only be routed to one IMS system in the IMSplex. The IMS that receives the command from OM will make DBRC calls to update the RECON with GLOBAL status. It will also request IRLM NOTIFY to route and process the command on sharing IMS systems, and then process the command locally.

Messages produced on the NOTIFIED systems will appear only on the system console and will not be routed back to the OM API which originally entered the command.

If multiple IMS systems have been explicitly specified in the route list, the master IMS system will process the command as described above. However,



the non-master IMS systems, to which OM routes the command, will reject the command with the return and reason codes shown in Table 33

Table 33. Return and reason code for the GLOBAL keyword issued from the OM API

Return Code	Reason Code	Meaning
X'00000004'	X'00001000'	The command contained the GLOBAL keyword and was routed to more than one IMS system in the IMSPLEX. The non-master IMS systems will reject this command when OM routes the command to them. The master IMS system will process this command and use IRLM NOTIFY to route and process the command on the non-master IMS systems. See the discussion under the GLOBAL keyword.

### LOCAL

Specifies that the command only applies to the subsystem in which the command is entered. This command does not affect any other subsystem sharing the database. The LOCAL keyword can be used to restrict concurrent updates. LOCAL is the default.

### NOFEOV

Specifies that there is no forced end of volume, so that the IMS log does not switch to the next OLDS. If NOFEOV is specified without the MSDB keyword, a simple checkpoint is not taken.

### NOPFA

Specifies that DBRC is not notified that the database or area has changed status. You can use this keyword when you need to authorize the database for use after it is offline, for example, for offline utilities. By using this keyword, DBRC does not prevent further authorizations for the database or area.

**Recommendation:** Before starting the database or area, reissue this command **without** the NOPFA keyword to inform DBRC of the change in status for the database or area.

---

## Examples

### Example 1 for /DBDUMP Command

Entry ET:

```
/DBDUMP DATABASE PAYROLL
```

Response ET:

```
DFS058I (time stamp) DBDUMP COMMAND IN PROGRESS
```

Explanation: Currently executing application programs are being terminated. When the termination completes, the databases are stopped for update and the output log is switched to the next OLDS.

Response ET:

```
DFS0488I DBD COMMAND COMPLETED.
          DBN=PAYROLL RC=0
DFS3257I ONLINE LOG NOW SWITCHED FROM DFSOLP( ) TO DFSOLP( )
DFS994I *CHKPT 82080/111213**SIMPLE*
```

Explanation: The new OLDS is used to record a simple checkpoint at 111213 (time) on 82080 (Julian date). The checkpoint number is 82080/111213. All /DBDUMP command functions are complete. The /START DATABASE command must be used to start the database after the dump job completes.

## Example 2 for /DBDUMP Command

Entry ET:

```
/DBDUMP DATABASE MSDB
```

Response ET:

```
DFS058I (time stamp) DBDUMP COMMAND IN PROGRESS
```

Explanation: All MSDBs are dumped to the MSDB dump data set because MSDB was specified as the parameter of the database keyword.

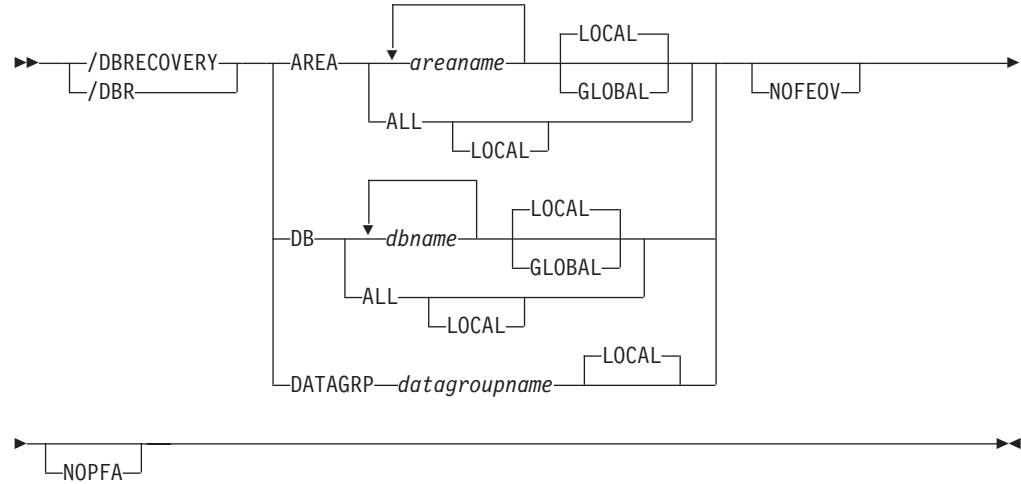
Response ET:

```
DFS994I CHKPT 82069/123624**SIMPLE*
```

Explanation: A simple checkpoint is recorded on the new system log at 123624 (time) on 82069 (Julian date). The checkpoint number is 82069/123624. All MSDBs are dumped.

## Chapter 16. /DBRECOVERY

### Format



### Environments and Keywords

Table 34 lists the environments (DB/DC, DBCTL, and DCCTL) from which the command and keywords can be issued.

Table 34. Valid Environments for the /DBRECOVERY Command and Keywords

Command / Keywords	DB/DC	DBCTL	DCCTL
/DBRECOVERY	X	X	
AREA	X	X	
DB	X	X	
DATAGRP	X	X	
GLOBAL	X	X	
LOCAL	X	X	
NOFEOV	X	X	
NOPFA	X	X	

### Usage

/DBRECOVERY is used to prevent transactions or programs from accessing DL/I databases, DEDBs, or DEDB areas.

The /DBRECOVERY command can be used on HALDBs. For more information see Appendix H, "High Availability Large Database Commands," on page 867

Use of the ALL parameter indicates that the command applies to all databases, even those not opened.

/DBRECOVERY closes and deallocates the databases, and unauthorizes them with DBRC. Once the database or area referenced by /DBRECOVERY is closed, the IMS log switches to the next OLDS (unless you specify the NOFE0V keyword). This switch to the next OLDS is marked as a recovery point for log archiving purposes. IMS issues a simple checkpoint.

/DBRECOVERY is supported on an RSR tracking subsystem, but only for a database readiness level (DLT) subsystem. /DBRECOVERY is used on an RSR tracking subsystem to take shadow areas and databases offline for image copy and recovery. The /DBRECOVERY command also stops online forward recovery (OFR) if it is in progress for the specified database or area.

IMS databases, DEDBs, and DEDB areas closed by the master terminal operator with the /DBRECOVERY command can be used as input to the offline IMS Database Recovery utility. The Database Recovery utility runs in a batch region.

For the results of issuing this command on a shared secondary index, see Appendix D, "Shared Secondary Index Database Commands," on page 849

The /DBRECOVERY command will not deallocate a data set if a VSAM data set hardware error occurred. Use VARY nnn,OFFLINE,FORCE to deallocate the data set (where nnn is the is the number of the device). For information on recovering VSAM data sets, see *DFSMS/MVS Managing Catalogs* (SC26-4914).

In an IMSplex, the output of the /DBR command is different when the command is entered through the OM API. In this case, the DFS058I message is not returned to OM. The command response returned to OM contains one or more of the following messages as appropriate to the database type and the command completion. For more information about specific messages, see *IMS Version 9: Messages and Codes, Volume 1*.

- For /DBR AREA commands that specify GLOBAL, only the command master returns the asynchronous messages to OM. When a command is processed with the LOCAL keyword, all IMSs are able to return the asynchronous messages to OM.
- Full Function Database messages for /DBR DB: DFS132, DFS160, DFS216, DFS0488I, DFS0565I, DFS1407, DFS2026, DFS3318I, DFS3320I, DFS3321I, DFS3464I, DFS3466I.
- Fast Path Database messages for /DBR DB: DFS140I, DFS0666I, DFS3062I, DFS3320I.
- Fast Path Database messages for /DBR AREA: DFS140I, DFS0488I, DFS0666I, DFS1407I, DFS3060I, DFS3062I, DFS3320I, DFS3325I, DFS3342I, DFS3720I.

#### AREA

Specifies the DEDB areas (but not DEDBs) to be processed by the /DBRECOVERY command. /DBRECOVERY AREA stops the accessing and updating of specified DEDB areas and closes them.

/START AREA can be used to reopen and reallocate the areas closed by /DBRECOVERY AREA command.

The /DBRECOVERY command for Fast Path Virtual Storage Option (VSO) areas in a z/OS data space removes the areas from the data space and forces updates to be written back to DASD.

#### DB

Specifies the DL/I databases and Fast Path DEDBs (and inclusive areas) to be processed by the /DBRECOVERY command. MSDBs cannot be specified with

3  
3

3 /DBRECOVERY. /DBRECOVERY DB allows scheduling of transactions or programs that  
 3 use the database to continue after successful completion of the command.  
 3 However, calls to DEDB databases will receive an FH status code. If the  
 3 application program is prepared to accept status codes regarding data  
 3 unavailability through the INIT STATUS GROUPA or GROUPB call, calls to DL/I  
 3 databases will result in either a 3303 pseudoabend, a BA, or BB status code.

3 When /DBRECOVERY DB is entered, the data sets of the databases named in the  
 3 command are closed. The /DBRECOVERY DB command dynamically deallocates  
 3 the IMS databases. For DEDBs, the randomizer is unloaded and removed from  
 3 storage.

3 If a DL/I database is in use by a batch message processing region when the  
 3 /DBRECOVERY command is issued, a DFS0565I message is returned to the master  
 3 terminal, the command is ignored for the database named in the message, and  
 3 processing continues for any other databases specified in the command. The  
 3 master terminal operator must wait until the BMP ends before reissuing the  
 3 /DBRECOVERY command to close the databases named in any DFS0565I  
 3 messages. DEDB databases will accept the /DBRECOVERY command while  
 3 actively being used by a batch message processing region. However, all further  
 3 calls to the database will receive an FH status code.

2 The region identified in the DFS0565I message can also be an MPP region. The  
 2 error message can be issued in order to break a potential deadlock condition  
 2 between Online Change, a /DBR, or /STA command against a database being  
 2 used by the MPP and an application running in the MPP issuing an ICMD or  
 2 CMD call.

3 The /START DB command is used to reallocate the databases closed by the  
 3 /DBRECOVERY DB command except for HALD DB partitions. A HALDB partition  
 3 can be reallocated if the partition has either EEQEs, was previously authorized  
 3 but not allocated, or the OPEN keyword was used. HALDB partitions are  
 3 allocated at first reference. For DEDBs, a /START DB command also causes a  
 3 reload of the randomizer.

3 For DBCTL, when CCTL schedules a PSB, the DBCTL thread SCHED request  
 3 defines the thread as LONG or SHORT. If the database is currently scheduled  
 3 to a LONG thread, the command is rejected; otherwise, the thread is allowed to  
 3 "complete" before the database is acted upon. This results in either a commit  
 3 point or transaction termination.

3 On an RSR tracking subsystem, /DBR DB for a DEDB is not permitted.

### **DATAGRP**

Specifies a **group** of DL/I databases and Fast Path DEDBs to be processed by the /DBRECOVERY command. Use the INIT.DBDSGRP command with the GRPNAME and DBGRP keywords to define the data group in the RECON data set.

DATAGRP is valid on active and RSR tracking subsystems.

**Related Reading:** See "Group Parameters" on page 20 for more information on defining data groups.

**Recommendation:** Although you can use DBDS groups as well as database groups for this command, you should use database groups whenever possible to eliminate the overhead of converting the DBDS group to a database group.

### **GLOBAL**

Applies when the database is registered to DBRC and specifies that the command applies to all sharing online subsystems. /DBRECOVERY GLOBAL can be

used to close the database so that it can be taken offline when this command successfully completes in all online subsystems. DBRC will prevent further authorization.

The GLOBAL keyword and the ALL parameter are mutually exclusive. The /DBRECOVERY command will be rejected if both GLOBAL and ALL are specified. The IRLM must be active when the GLOBAL keyword is used. If IRLM is not active, the command is rejected.

If the GLOBAL keyword on a command is entered from an OM API, the command should only be routed to one IMS system in the IMSplex. The IMS that receives the command from OM will make DBRC calls to update the RECON with GLOBAL status. It will also request IRLM NOTIFY to route and process the command on sharing IMS systems, and then process the command locally.

Messages produced on the NOTIFIED systems will appear only on the system console and will not be routed back to the OM API which originally entered the command.

If multiple IMS systems have been explicitly specified in the route list, the master IMS system will process the command as described above. However, the non-master IMS systems, to which OM routes the command, will reject the command with the return and reason codes in Table 35

Table 35. Return and reason code for GLOBAL keyword issued from the OM API

Return Code	Reason Code	Meaning
X'00000004'	X'00001000'	The command contained the GLOBAL keyword and was routed to more than one IMS system in the IMSPLEX. The non-master IMS systems will reject this command when OM routes the command to them. The master IMS system will process this command and use IRLM NOTIFY to route and process the command on the non-master IMS systems. See the discussion under the GLOBAL keyword.

**Restriction:** When the GLOBAL keyword is specified, the command is performed for the named database only. If the command is to be performed for a HIDAM database and its index, both must be named.

The GLOBAL keyword is not supported for an RSR tracking subsystem. The GLOBAL keyword cannot be combined with the DATAGROUP keyword.

#### LOCAL

Specifies that the command only applies to the subsystem in which the command is entered. This command does not affect any other subsystem sharing the database or area. Use the LOCAL keyword to increase usability for the other system sharing the database or area. LOCAL is the default.

#### NOFE0V

Specifies that there is no forced end of volume, so that the log does not switch to the next OLDS and simple checkpoint is not taken. The NOFE0V keyword is the default for an RSR tracking subsystem so that the OLDS is not switched, nor is a simple checkpoint taken.

#### NOPFA

Specifies that DBRC is not notified that the database or area has changed status. You can use this keyword when you need to authorize the database for

use after it is offline, for example, for offline utilities. By using this keyword, DBRC does not prevent further authorizations for the database or area.

**Recommendation:** Before starting the database or area, reissue this command **without** the NOPFA keyword to inform DBRC of the change in status for the database or area.

## Examples

### Example 1 for /DBRECOVERY Command

Entry ET:

```
/DBRECOVERY AREA ALL
```

Response ET:

```
DFS058I DBRECOVERY COMMAND IN PROGRESS
DFS0488I DBRECOVERY COMMAND COMPLETED. AREA=DBAREA0
DFS0488I DBRECOVERY COMMAND COMPLETED. AREA=DBAREA1
```

Explanation: DEDB areas are being stopped for inquiry and update, closed, and deallocated; the output log is switched to the next OLDS.

### Example 2 for /DBRECOVERY Command

Entry ET:

```
/DBRECOVERY DATABASE SKILL
```

Response ET:

```
DFS058I DBRECOVERY COMMAND IN PROGRESS
DFS2500I DATABASE SKILL SUCCESSFULLY DEALLOCATED
DFS0488I DBRECOVERY COMMAND COMPLETED. DBN=SKILL RC=0
DFS3257I ONLINE LOG NOW SWITCHED FROM DFSOLP( ) TO DFSOLP( )
DFS944I *CHKPT 82123/121314**SIMPLE**
```

Explanation: The new OLDS is used to record a simple checkpoint at 121314 (time) on 82123 (Julian date). The checkpoint number is 82123/121314. All /DBRECOVERY command functions are complete. The Database Recovery utility can be executed after archiving. Currently executing application programs are being terminated. When the termination completes, the SKILL database is stopped for inquiry and update, closed, and deallocated; the output log is switched to the next OLDS. /START DATABASE must be used to start the database after the recovery job completes.

### Example 3 for /DBRECOVERY Command

This example shows how to stop an online forward recovery (OFR) at the RSR tracking site with a /DBRECOVERY command.

Entry ET (on tracking subsystem):

```
/DISPLAY DATABASE OFR
```

Response ET (to tracking subsystem):

DATABASE	TYPE	TOTAL UNUSED	TOTAL UNUSED	ACC	CONDITIONS
BE2PCUST	DL/I			EX	ALLOCS OFR
BE3ORDER	DL/I			EX	ALLOCS OFR

```

BE3ORDRX DL/I          EX  ALLOCS OFR
BE3PARTS DL/I         EX  ALLOCS OFR
BE3PSID1 DL/I         EX  ALLOCS OFR
*91240/132406*      SYS3

```

Entry ET (on tracking subsystem):

```
/DBRECOVERY DATABASE BE3ORDER BE3PSID1
```

Response ET (to tracking subsystem):

```

DFS058I DBRECOVERY COMMAND IN PROGRESS
DFS0488I DBR COMMAND COMPLETED. DBN=BE3ORDER. RC=0
DFS0488I DBR COMMAND COMPLETED. DBN=BE3PSID1. RC=0

```

Explanation: Databases BE3ORDER and BE3PSID1 are closed, unallocated, and unauthorized with DBRC. Online forward recovery for the databases is also stopped.

## Example 4 for /DBRECOVERY Command

This example shows how /DBRECOVERY command might look when entered from the SPOC.

TSO SPOC input:

```
DBR DB BANKATMS BANKTERM BANKLDGR BE3ORDER
```

TSO SPOC output:

```

SYS3      DFS0488I DBR COMMAND COMPLETED. DBN= BANKATMS RC=04
SYS3      DFS0488I DBR COMMAND COMPLETED. DBN= BANKTERM RC=04
          SYS3      DFS0488I DBR COMMAND COMPLETED. DBN= BANKLDGR RC=04
          SYS3      DFS0488I DBR COMMAND COMPLETED. DBN= BE3ORDER RC= 0
          IMS3      DFS0488I DBR COMMAND COMPLETED. DBN= BANKATMS RC=04
          IMS3      DFS0488I DBR COMMAND COMPLETED. DBN= BANKTERM RC=04
          IMS3      DFS0488I DBR COMMAND COMPLETED. DBN= BANKLDGR RC=04
          IMS3      DFS0488I DBR COMMAND COMPLETED. DBN= BE3ORDER RC= 0

```

OM API input:

```
CMD (DBR DB BANKATMS BANKTERM BANKLDGR BE3ORDER)
```

OM API output:

```

<?xml version="1.0"?>
<!DOCTYPE imsout SYSTEM "imsout.dtd">
<imsout>
<ctl>
<omname>OM10M </omname>
<omvsn>1.1.0</omvsn>
<xmlvsn>1 </xmlvsn>
<statime>2002.197 21:52:02.730359</statime>
<stotime>2002.197 21:52:03.383199</stotime>
<stoseq>B7EFBE716A9770A4</stoseq>
<stoseq>B7EFBE7209F9FD2F</stoseq>
<rqsttkn1>USRT005 10145202</rqsttkn1>
<rc>0200000C</rc>
<rsn>00003008</rsn>
</ctl>
<cmderr>
<mbr name="SYS3 ">
<typ>IMS </typ>
<styp>DBDC </styp>
<rc>00000014</rc>
<rsn>00005050</rsn>
</mbr>

```



```

<mbr name="IMS3  ">
<typ>IMS  </typ>
<styp>DBDC  </styp>
<rc>00000014</rc>
<rsn>00005050</rsn>
</mbr>
</cmderr>
<cmd>
<master>SYS3  </master>
<userid>USRT005 </userid>
<verb>DBR </verb>
<kwd>DB  </kwd>
<input>/DBR DB BANKATMS BANKTERM BANKLDGR BE3ORDER  </input>
</cmd>
<msgdata>
<mbr name="SYS3  ">
  <msg>DFS0488I  DBR COMMAND COMPLETED. DBN= BANKATMS RC=04</msg>
  <msg>DFS0488I  DBR COMMAND COMPLETED. DBN= BANKTERM RC=04</msg>
<mbr name="SYS3  ">
  <msg>DFS0488I  DBR COMMAND COMPLETED. DBN= BANKLDGR RC=04</msg>
  <msg>DFS0488I  DBR COMMAND COMPLETED. DBN= BE3ORDER RC= 0</msg>
</mbr>
<mbr name="IMS3  ">
  <msg>DFS0488I  DBR COMMAND COMPLETED. DBN= BANKATMS RC=04</msg>
  <msg>DFS0488I  DBR COMMAND COMPLETED. DBN= BANKTERM RC=04</msg>
  <msg>DFS0488I  DBR COMMAND COMPLETED. DBN= BANKLDGR RC=04</msg>
  <msg>DFS0488I  DBR COMMAND COMPLETED. DBN= BE3ORDER RC= 0</msg>
</mbr>
</msgdata>
</imsout>

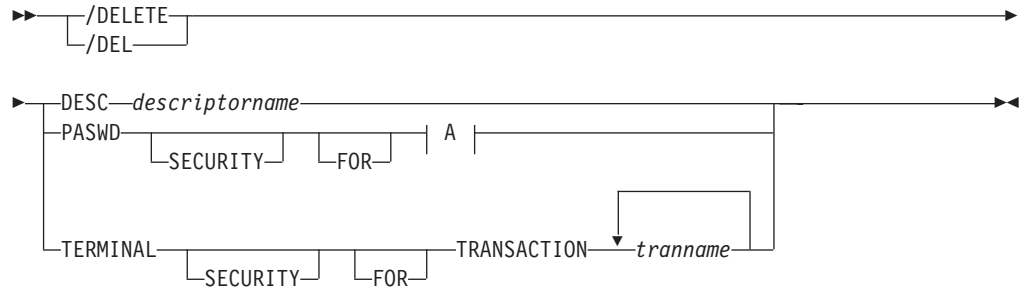
```

Explanation: The DBR command is routed from OM to the two active IMSs - SYS3 and IMS3. The response from both IMSs is returned to OM. The databases BANKATMS, BANKTERM, BANKLDGR, and BE3ORDER are taken offline at both IMSs.

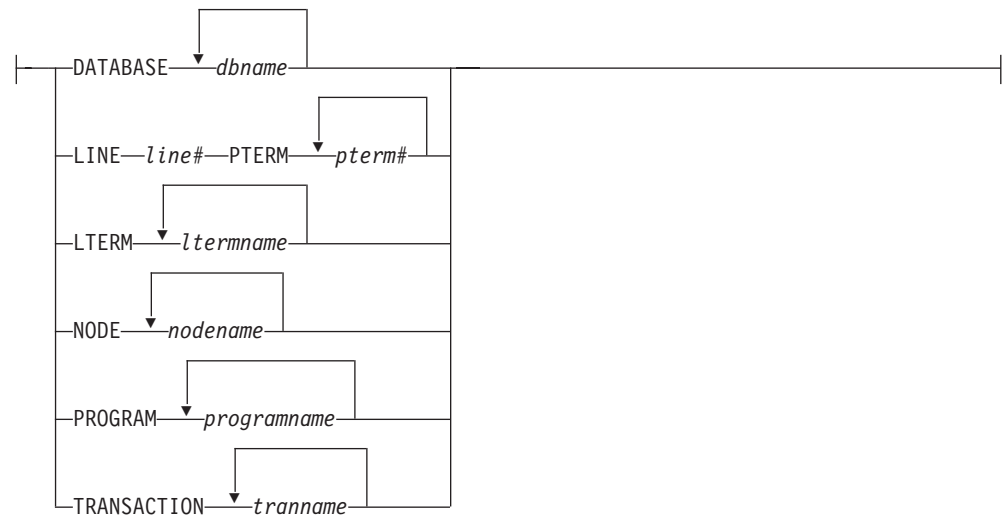


# Chapter 17. /DELETE

## Format



**A:**



## Environments and Keywords

Table 36 lists the environments (DB/DC, DBCTL, and DCCTL) from which the command and keywords can be issued.

Table 36. Valid Environments for the /DELETE Command and Keywords

Command / Keywords	DB/DC	DBCTL	DCCTL
/DELETE	X	X	X
DATABASE	X	X	
DESC	X		X
LINE	X		X
LTERM	X		X
NODE	X		X
PASWD	X	X	X
PROGRAM	X	X	X

Table 36. Valid Environments for the /DELETE Command and Keywords (continued)

Command / Keywords	DB/DC	DBCTL	DCCTL
PTERM	X		X
TERMINAL	X		X
TRANSACTION	X		X

---

## Usage

The /DELETE command deletes

- LU 6.2 descriptors
- Password security authorizations for a given transaction code, logical terminal, relative physical terminal, database, node, or program
- Terminal and logical link security for a given transaction code

### DESCRIPTOR

Specifies the LU62 descriptor to be deleted. Note that this will not delete the descriptor in the PROCLIB member. It is necessary to remove the descriptor from the PROCLIB member; otherwise, the descriptor will be defined at the next IMS restart.

### PASSWORD

Specifies the password security authorization to be deleted.

For the /DELETE PASSWORD NODE command, if the specified node is an ISC parallel-session node, password protection is deleted for all the half-sessions of the specified node.

In a dynamic terminal environment, /DELETE PASSWORD is ignored for dynamic ACF-VTAM nodes. This command uses the Security Maintenance utility, which is not supported for dynamic VTAM nodes in a dynamic terminal environment.

Once deleted, password security is not reestablished until either a cold start or a warm start is performed using the PASSWORD keyword.

### TERMINAL

Specifies the terminal and logical link security to be deleted. Once deleted, terminal security is not reestablished until either a cold start or a warm start is performed using the TERMINAL keyword.

---

## Examples

### Example 1 for /DELETE Command

Entry ET:

```
/DELETE PASSWORD FOR DATABASE TREEFARM
```

Response ET:

```
DFS058I DELETE COMMAND COMPLETED
```

Explanation: Password security is deleted for the database named TREEFARM.

### Example 2 for /DELETE Command

Entry ET:

```
/DELETE TERMINAL SECURITY FOR TRANSACTION PIT, SEED
```

Response ET:

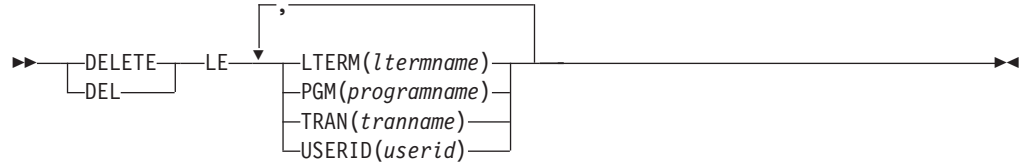
```
DFS058I  DELETE COMMAND COMPLETED
```

Explanation: Terminal and logical link security is deleted for the transaction codes named PIT and SEED.



# Chapter 18. DELETE

## Format



## Environments and Keywords

Table 37 lists the environments (DB/DC, DBCTL, and DCCTL) from which the command and keywords can be issued.

Table 37. Valid Environments for the DELETE Command and Keywords

Command / Keywords	DB/DC	DBCTL	DCCTL
DELETE LE	X	X	X
LTERM	X	X	X
PGM	X	X	X
TRAN	X	X	X
USERID	X	X	X

## Usage

The DELETE command (with the LE keyword) deletes language environment (LE) runtime options that have previously been defined by the UPDATE command (with the LE keyword). The delete can use filters on transaction code, LTERM name, userid, or program name. Any combination of parameters can be used to qualify the application instance to which the runtime parameters are deleted. All matches found are deleted. The entry is logically deleted. The entry is then immediately available for reuse by the next UPDATE LE command. There is a small window of time where it is possible for an entry to be deleted and reused before LE uses it, that could cause LE to use the wrong set of parameters.

**Related Reading:** For more information about the UPDATE command, see Chapter 65, "UPDATE," on page 705

This command may be specified only through the Operations Manager API. The command syntax for this command is defined in XML and is available to automation programs that communicate with OM.

OM overrides the routing on the command and routes the command to all IMS systems in the IMSplex. The user-specified route list is ignored.

Rules for matching an entry which results in the delete of an entry:

- If a filter is specified in the command for a particular resource it must match the resource filter defined in the entry. The resource in the DELETE LE command can be specified with wildcards as defined previously.

- A resource filter that is not specified on a DELETE LE command will match on any filter for the specific resource defined in the entry. A non-specified filter is treated as a wildcard. For instance if the LTERM filter is not specified on a DELETE LE command it will match on any LTERM resource defined in an entry, as if LTERM(\*) was specified on the command.

If an existing set of LE runtime options are found for the specified TRAN, LTERM, USERID, or PGM, the existing parameter string is deleted. The string is deleted only when the specified filters are an exact match for the existing entry. The entry is logically deleted. The entry is available for reuse on the next UPDATE LE command.

The following keywords support a generic or wildcard character. A generic parameter is a 1 - 8 character alphanumeric name that includes one or more special characters and an asterisk or a percent sign. An asterisk can be replaced by a zero or more characters to create a valid resource name. A percent sign can be replaced by exactly one character to create a valid resource name.

#### LTERM()

Specifies the 1 - 8 character name of the LTERM or LTERMS matching the generic or wildcard parameter.

**PGM()** Specifies the 1 - 8 character name of the program or programs matching the generic or wildcard parameter.

#### TRAN()

Specifies the 1 - 8 character name of the transaction or transactions matching the generic or wildcard parameter.

#### USERID()

Specifies the 1 - 8 character name of the userid or userids matching the generic or wildcard parameter.

**Requirement:** At least one of the resource filters (LTERM, PGM, TRAN, or USERID) must be specified on the UPDATE LE command.

## DELETE LE Output Fields

Table 38 shows the output fields for an DELETE LE command. The columns in the table are as follows:

#### Short Label

Contains the short label generated in the XML output.

#### Keyword

Identifies the keyword on the command that caused the field to be generated. N/A appears for output fields that are always returned.

#### Meaning

Provides a brief description of the output field.

Table 38. Output Fields for the DELETE LE Command

Short Label	Keyword	Meaning
CC	N/A	Completion code for the line of output. Completion code is always returned.
LTRM	LTERM	LTERM name affected by the DELETE .
MBR	N/A	IMSpIplex member (IMS identifier) that built the output line. Member name is always returned.
PGM	PGM	Program name affected by the DELETE.



Table 38. Output Fields for the DELETE LE Command (continued)

Short Label	Keyword	Meaning
TRAN	TRAN	Transaction name affected by the DELETE.
UID	USERID	Userid affected by the DELETE.

## Return, Reason, and Completion Codes for DELETE LE

Table 39 shows the DELETE LE return and reason codes and the meaning of the codes.

Table 39. Return and Reason Codes for the DELETE LE Command

Return Code	Reason Code	Meaning
X'00000000'	X'00000000'	The DELETE LE command completed successfully.
X'00000008'	X'00002008'	No keywords were specified on the command. At least one keyword is required.
X'00000008'	X'0000200C'	No resources found to delete. Either the entry was previously deleted or a keyword filter was typed incorrectly.
X'00000008'	X'00002014'	An invalid character was specified in the filter name.
X'00000010'	X'00004040'	The parameter override header has not been initialized. Retry the command after restart is complete.
X'00000014'	X'00005000'	Unable to get storage from IMODULE GETSTOR.
X'00000014'	X'00005010'	Unable to obtain latch.
X'00000014'	X'00005FFF'	Internal IMS Error - should not occur.

Table 40 contains the completion code that can be returned on a DELETE LE command and the meaning of the code.

Table 40. Completion Code for the DELETE LE Command

Completion Code	Meaning
0	The DELETE LE command completed successfully for the specified resource.

---

## Examples

### Example 1 for DELETE LE Command

For this example, Table 41 shows the parameter override table entries prior to any DELETE LE commands being processed.

Table 41. Parameter Override Table Entries for DELETE LE Example

Entry#	TRAN	LTERM	USERID	PROGRAM	LERUNOPTS
1	PART			DFSSAM02	aaaa
2	PART		BETTY		bbbb
3	PART	TERM1			cccc
4				DFSSAM02	dddd
5	PART	TERM1	BARBARA		eeee
6	PART	TERM1	BOB		ffff

Table 41. Parameter Override Table Entries for DELETE LE Example (continued)

Entry#	TRAN	LTERM	USERID	PROGRAM	LERUNOPTS
7		TERM2	BETTY		gggg
8	PART	TERM2			iiii

Table 42 shows the resulting actions when different filters are specified on a DELETE LE command.

Table 42. Example Filters and Resulting Actions for DELETE LE Command

Filters Active on Command	Resulting Action
TRAN(PART)	Deletes entries #1, 2, 3, 5, 6, 8
TRAN(PART) LTERM(TERM1)	Deletes entries #3, 5, 6
LTERM(TERM2) USERID(BETTY)	Deletes entry #7
TRAN(PART) LTERM(TERM1) USERID(BETTY)	Does not delete any entries
TRAN(PART) LTERM(TERM*)	Deletes entries #3, 5, 6, 8
USERID(B*)	Deletes entries #2, 5, 6, 7

## Example 2 for DELETE LE Command

The following TSO SPOC and OM API input and output sets up the scenario for the DELETE LE command examples. The UPDATE commands are used to add entries to the table; the QUERY command shows the resulting entries.

TSO SPOC input:

```
UPD LE TRAN(IAPMDI27) USERID(USRT003) SET(LERUNOPTS(cccc))
UPD LE TRAN(IAPMDI27) USERID(USRT001) SET(LERUNOPTS(bbbb))
UPD LE TRAN(IAPMDI26) USERID(USRT001) SET(LERUNOPTS(aaaa))
QRY LE SHOW(ALL)
```

TSO SPOC output (for QUERY command):

```
MbrName   CC Trancode Lterm   Userid   Program  LERunOpts
SYS3      0 IAPMDI26   USRT001   AAAA
SYS3      0 IAPMDI27   USRT001   BBBB
SYS3      0 IAPMDI27   USRT003   CCCC
```

OM API input:

```
CMD(UPD LE TRAN(IAPMDI27) USERID(USRT003) SET(LERUNOPTS(cccc)))
CMD(UPD LE TRAN(IAPMDI27) USERID(USRT001) SET(LERUNOPTS(bbbb)))
CMD(UPD LE TRAN(IAPMDI26) USERID(USRT001) SET(LERUNOPTS(aaaa)))
CMD(QRY LE SHOW(ALL))
```

OM API output (for QUERY command):

```
<imsout>
<ctl>
<omname>OM10M </omname>
<omvsn>1.1.0</omvsn>
<xmlvsn>1 </xmlvsn>
<statime>2002.163 18:10:14.974557</statime>
<stotime>2002.163 18:10:14.974985</stotime>
<staseq>B7C4CD747AC5DC85</staseq>
<stoseq>B7C4CD747AE09D25</stoseq>
<rqsttkn1>USRT002 10111014</rqsttkn1>
<rc>00000000</rc>
<rsn>00000000</rsn>
```

```

</ctl>
<cmd>
<master>SYS3 </master>
<userid>USRT002 </userid>
<verb>QRY </verb>
<kwd>LE </kwd>
<input>QRY LE SHOW(ALL) </input>
</cmd>
<cmdrsphdr>
<hdr s1bl="MBR" l1bl="MbrName" scope="LCL" sort="A" key="1" scroll="NO" len="8"
  dtype="CHAR" align="left" />
<hdr s1bl="CC" l1bl="CC" scope="LCL" sort="N" key="0" scroll="YES" len="4"
  dtype="INT" align="right" />
<hdr s1bl="TRAN" l1bl="Trancode" scope="LCL" sort="N" key="0" scroll="YES" len="8"
  dtype="CHAR" align="left" />
<hdr s1bl="LTRM" l1bl="Lterm" scope="LCL" sort="N" key="0" scroll="YES" len="8"
  dtype="CHAR" align="left" />
<hdr s1bl="UID" l1bl="Userid" scope="LCL" sort="N" key="0" scroll="YES" len="8"
  dtype="CHAR" align="left" />
<hdr s1bl="PGM" l1bl="Program" scope="LCL" sort="N" key="0" scroll="YES" len="8"
  dtype="CHAR" align="left" />
<hdr s1bl="PRM" l1bl="LERunOpts" scope="LCL" sort="N" key="0" scroll="YES" len="*"
  dtype="CHAR" align="left" />
</cmdrsphdr>
<cmdrspdata>
<rsp>MBR(SYS3 ) CC( 0) TRAN(IAPMDI26) LTRM( ) UID(USRT001 ) PGM( )
PRM(AAAA ) </rsp>
<rsp>MBR(SYS3 ) CC( 0) TRAN(IAPMDI27) LTRM( ) UID(USRT001 ) PGM( )
PRM(BBBB ) </rsp>
<rsp>MBR(SYS3 ) CC( 0) TRAN(IAPMDI27) LTRM( ) UID(USRT003 ) PGM( )
PRM(CCCC ) </rsp>
</cmdrspdata>
</imsout>

```

### DELETE LE command example number 1.

TSO SPOC input:

```
DEL LE TRAN(IAPMDI27) USERID(USRT001)
```

TSO SPOC output:

MbrName	CC	Trancode	Lterm	Userid	Program
SYS3	0	IAPMDI27		USRT001	

OM API input:

```
CMD(DEL LE TRAN(IAPMDI27) USERID(USRT001))
```

OM API output:

```

<imsout>
<ctl>
<omname>OM10M </omname>
<omvsn>1.1.0</omvsn>
<xmlvsn>1 </xmlvsn>
<statime>2002.163 18:12:21.932813</statime>
<stotime>2002.163 18:12:21.933334</stotime>
<staseq>B7C4CDED8E70D786</staseq>
<stoseq>B7C4CDED8E916246</stoseq>
<rqsttkn1>USRT002 10111221</rqsttkn1>
<rc>00000000</rc>
<rsn>00000000</rsn>
</ctl>
<cmd>
<master>SYS3 </master>
<userid>USRT002 </userid>
<verb>DEL </verb>

```

```

<kwd>LE                </kwd>
<input>DEL LE TRAN(IAPMDI27) USERID(USRT001) </input>
</cmd>
<cmdsphdr>
<hdr s1bl="MBR"  llbl="MbrName"  scope="LCL" sort="A" key="1" scroll="NO" len="8"
  dtype="CHAR" align="left" />
<hdr s1bl="CC"   llbl="CC"       scope="LCL" sort="N" key="0" scroll="YES" len="4"
  dtype="INT"  align="right" />
<hdr s1bl="TRAN" llbl="Trancode" scope="LCL" sort="N" key="0" scroll="YES" len="8"
  dtype="CHAR" align="left" />
<hdr s1bl="LTRM" llbl="Lterm"    scope="LCL" sort="N" key="0" scroll="YES" len="8"
  dtype="CHAR" align="left" />
<hdr s1bl="UID"  llbl="Userid"   scope="LCL" sort="N" key="0" scroll="YES" len="8"
  dtype="CHAR" align="left" />
<hdr s1bl="PGM"  llbl="Program"  scope="LCL" sort="N" key="0" scroll="YES" len="8"
  dtype="CHAR" align="left" />
</cmdsphdr>
<cmdspdata>
<rsp>MBR(SYS3      ) CC(      0) TRAN(IAPMDI27) LTRM(      ) UID(USRT001 ) PGM(      )
</rsp>
</cmdspdata>
</imsout>

```

Explanation: This command specifies two filters- transaction and userid. A table entry is deleted if both of these filters are defined and match what was specified in the command. This command deletes one entry from the table. That entry is shown in the command output.

### DELETE LE command example number 2.

TSO SPOC input:

```
DEL LE USERID(USRT00%)
```

TSO SPOC output:

MbrName	CC	Trancode	Lterm	Userid	Program
SYS3	0	IAPMDI26		USRT001	
SYS3	0	IAPMDI27		USRT003	

OM API input:

```
CMD(DEL LE USERID(USRT00%))
```

OM API output:

```

<imsout>
<ctl>
<omname>OM10M </omname>
<omvsn>1.1.0</omvsn>
<xmlvsn>1 </xmlvsn>
<statime>2002.163 18:19:45.616468</statime>
<stotime>2002.163 18:19:45.616972</stotime>
<staseq>B7C4CF94AFA54304</staseq>
<stoseq>B7C4CF94AFC4C704</stoseq>
<rqsttkn1>USRT002 10111945</rqsttkn1>
<rc>00000000</rc>
<rsn>00000000</rsn>
</ctl>
<cmd>
<master>SYS3 </master>
<userid>USRT002 </userid>
<verb>DEL </verb>
<kwd>LE </kwd>
<input>DEL LE USERID(USRT00%) </input>
</cmd>
<cmdsphdr>

```

```

<hdr s1bl="MBR" l1bl="MbrName" scope="LCL" sort="A" key="1" scroll="NO" len="8"
  dtype="CHAR" align="left" />
<hdr s1bl="CC" l1bl="CC" scope="LCL" sort="N" key="0" scroll="YES" len="4"
  dtype="INT" align="right" />
<hdr s1bl="TRAN" l1bl="Trancode" scope="LCL" sort="N" key="0" scroll="YES" len="8"
  dtype="CHAR" align="left" />
<hdr s1bl="LTRM" l1bl="Lterm" scope="LCL" sort="N" key="0" scroll="YES" len="8"
  dtype="CHAR " align="left" />
<hdr s1bl="UID" l1bl="Userid" scope="LCL" sort="N" key="0" scroll="YES" len="8"
  dtype="CHAR " align="left" />
<hdr s1bl="PGM" l1bl="Program" scope="LCL" sort="N" key="0" scroll="YES" len="8"
  dtype="CHAR" align="left" />
</cmdrsphdr>
<cmdrspdata>
<rsp>MBR(SYS3 ) CC( 0) TRAN(IAPMDI26) LTRM( ) UID(USRT001 ) PGM( )
</rsp>
<rsp>MBR(SYS3 ) CC( 0) TRAN(IAPMDI27) LTRM( ) UID(USRT003 ) PGM( )
</rsp>
</cmdrspdata>
</imsout>

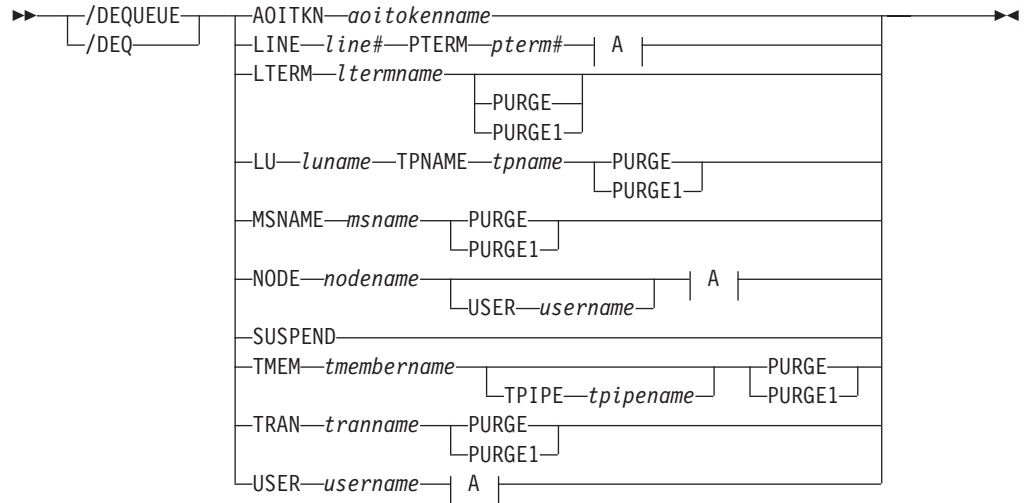
```

Explanation: This command specifies only one filter, userid. A wildcard is used, so any table entry where the USERID filter matches the string will be deleted. The command output shows that both of the remaining table entries were deleted.



# Chapter 19. /DEQUEUE

## Format



**A:**



## Environments and Keywords

Table 43 lists the environments (DB/DC, DBCTL, and DCCTL) from which the command and keywords can be issued.

Table 43. Valid Environments for the /DEQUEUE Command and Keywords

Command / Keywords	DB/DC	DBCTL	DCCTL
/DEQUEUE	X	X	X
AOITKN	X	X	X
LINE	X		X
LTERM	X		X
LU	X		X
MSNAME	X		X
NODE	X		X
PTERM	X		X
PURGE	X		X
PURGE1	X		X
SUSPEND	X		X
TMEM	X		X

Table 43. Valid Environments for the /DEQUEUE Command and Keywords (continued)

Command / Keywords	DB/DC	DBCTL	DCCTL
TPIPE	X		X
TPNAME	X		X
TRAN	X		X
USER	X		X

---

## Usage

The /DEQUEUE command with any of the following keywords is used to cancel a message that is being processed: LINE, LTERM, LUNAME, MSNAME, NODE, TRANSACTION, or USER. Also, a /DEQUEUE command dequeues messages from either the local queues, or in a shared-queues environment, the shared queues. An output message displays the total count of all messages dequeued.

/DEQUEUE AOITOKEN is used to dequeue and discard messages associated with the specified AOI token name.

A /DEQUEUE command with any of the following keywords activates the Message Control Error exit routine, DFSCMUX0, before processing each message: LTERM, LUNAME TPNAME, NODE, or MSNAME. The user exit routine can request IMS to:

- Proceed with the command and purge the message. This is the default action for the Message Control Error exit routine. For more information, see *IMS Version 9: Customization Guide*.
- Suppress the command.
- Suppress the command and send an informational message to the entering terminal.
- Route the message to a different destination.

/DEQUEUE SUSPEND schedules transactions that have been suspended by IMS.

/DEQUEUE TMEMBER TPIPE dequeues messages associated with an IMS Open Transaction Manager Access (OTMA) transaction pipe.

The /DEQUEUE NODE command dequeues messages from the local or shared queues for statically defined terminals. If PURGE or PURGE1 is specified, the node must be stopped and idle. Without PURGE or PURGE1, the message actively being sent is dequeued.

The /DEQUEUE LTERM command dequeues messages from the local or shared queues. The user must be stopped (by a /STOP USER command), and not in conversation, in order to enter /DEQUEUE USER or /DEQUEUE LTERM with PURGE or PURGE1. In a shared queues and ETO environment where the user doesn't exist, /DEQUEUE LTERM with PURGE or PURGE1 creates a user structure in order to dequeue messages from the shared queues.

### AOITOKEN

Dequeues and discards all messages associated with the specified AOI token name.

### LINE PTERM

Cancels the output message currently being sent to the specified physical terminal on the specified communication line.



**LTERM**

Cancels the output message currently being sent to the specified logical terminal.

/DEQUEUE NODE nodename LTERM is not valid for nodes with users. The user that contains the LTERM must be allocated and the session must be active.

If the PURGE or PURGE1 keyword is specified and the LTERM is associated with a user with DEADQ status, the DEADQ status will be reset.

If the DEADQ status is on, the following command turns it off for the user associated with LTERM ltermname:

```
/DEQUEUE LTERM ltermname (PURGE/PURGE1)
```

The DEADQ status is removed by signing the user on or by issuing /DEQUEUE to dequeue one or more messages.

**LUNAME TPNAME**

Specifies the LU name and TP name of the LU 6.2 destination from which messages are discarded. A normal (non-qualified) or fully network qualified LUNAME is required for the LUNAME keyword.

Either the PURGE or PURGE1 option must be specified, and the LU 6.2 destination must be stopped and not active; if both actions are not taken, error messages are issued.

**MSNAME**

Cancels the output message currently being sent to the specified MSC link. Either PURGE or PURGE1 is required for this link. The MSC link must be stopped by the /PSTOP LINK command before issuing the /DEQUEUE MSNAME command.

**NODE**

Cancels the output message currently being sent to the specified VTAM node.

The following command is not valid for nodes with users:

```
/DEQUEUE NODE nodename
/DEQUEUE NODE nodename LTERM ltermname
```

The following command cancels the output message currently being sent to the specified ISC session, and the user must be allocated to the node and the session must be active:

```
/DEQUEUE NODE nodename USER username
```

If PURGE or PURGE1 is specified, the node must be stopped and idle. Without PURGE and PURGE1, if an ETO node or an ISC static parallel session, the USER keyword is required.

If the PURGE keyword is specified, and the NODE is associated with a user with DEADQ status, the DEADQ status will be reset.

**PURGE**

Cancels all output messages enqueued to the specified LINE, LTERM, LUNAME, MSNAME, NODE, TMEMBER, TPIPE, or USER. PURGE allows cancellation of all output messages enqueued to an LTERM, or to a PTERM without regard to the LTERM. A /DEQUEUE command without PURGE cancels an in-progress output message on the specified terminal and, optionally, LTERM. If the NODE and LTERM keywords have both been supplied, the LTERM must be a valid LTERM of the user currently associated with the node.

Messages cannot be canceled with PURGE if they are destined for the MTO or for terminals or users in response mode, Fast Path, or conversation mode. /DEQUEUE PURGE does not cancel messages destined for the master terminal operator because the master terminal cannot be stopped, disconnected, or idled. /EXIT should be used for a terminal in conversation mode.

If the terminal is a dynamic 3600/FINANCE, SLU P, or ISC terminal, the NODE keyword is only valid if the session is stopped and idle, and the LTERMs are still allocated to the terminal pending message resynchronization. For example, /DEQUEUE NODE nodename USER username (LTERM ltermname) PURGE

is valid for the allocated user only if the specified ISC session is stopped and idled.

Messages queued to LTERMs associated with users that are not signed on can be purged by specifying the LTERM keyword without the NODE keyword. NODE with the USER keyword applies to ISC sessions and dynamic terminals and is only valid if the user is still allocated to the node. However, the line or node must be stopped and idled.

If USER is specified and the user had DEADQ status, the DEADQ status is removed. If LTERM or NODE is specified and the LTERM or node is associated with a user with DEADQ status, the DEADQ status is removed.

### **PURGE1**

Cancels the first message queued to the specified LTERM. The PURGE1 and PURGE keywords are mutually exclusive.

/DEQUEUE LTERM PURGE1 removes the first message from the queue. The order of search for messages to be removed is:

1. Fast Path
2. Response mode
3. Exclusive mode messages
4. System messages
5. All other messages

Using a synonym for PURGE1 avoids the potential danger of omitting the trailing digit on PURGE1 and canceling all the messages enqueued. Synonyms for PURGE1 are SINGLE, SNGL, and FIRST.

When PURGE1 is specified, the terminal must be stopped and idle and not in conversation mode. If the message is in the process of being actively sent, /DEQUEUE without PURGE1 cancels the message.

### **SUSPEND**

Reschedules transactions that have been suspended by IMS. SUSPEND applies to IMS systems sharing data at the block level and to connected external subsystems (not CCTL subsystems). /DEQUEUE SUSPEND causes all message-driven transactions that have been suspended to be rescheduled. When a failed IMS system is restarted, /DEQUEUE SUSPEND informs the currently running IMS system to reschedule any message-driven transactions on its SUSPEND queue. However, when the failed subsystem has global locks retained and cannot communicate the release of those locks to the other subsystems, /DEQUEUE SUSPEND is used to reschedule these message-driven transactions in the other subsystems. This can occur when:

- The still-running IMS has transactions on its SUSPEND queue and the failed IMS has been restarted using the /ERESTART COLDSYS command.
- The still-running IMS terminates before the failed IMS is restarted. Thus, when the failed system is restarted, the other system, which has now terminated, is unable to receive the message to reschedule the transactions on its SUSPEND queue. The operator must issue /DEQUEUE SUSPEND to reschedule them.

Another use for /DEQUEUE SUSPEND is to release those transactions queued because the installation specified the requeue region error option in the external subsystem PROCLIB member for a particular subsystem. Transactions will be queued if the subsystem connection terminates in an abnormal fashion (for example, dependent region abend, subsystem abnormal termination).

In a shared-queues environment, a /DEQUEUE SUSPEND command moves all transactions on the Transaction Suspend queue to the Transaction Ready queue and makes them eligible for rescheduling. The “suspend” status for the transactions is also reset locally (on the IMS subsystem that entered the command), but is not reset across the sysplex. To reset the “suspend” status across a sysplex, use the /START TRANSACTION command on each IMS subsystem.

You can also use the /START TRANSACTION command to reschedule a specific transaction that has been suspended.

/DISPLAY TRANSACTION and /DISPLAY STATUS can be used to determine whether a transaction has messages on its suspend queue.

### TMEMBER

Dequeues messages from the OTMA transaction pipe structure specified as *tpipename*. Using the /DEQ command can make OTMA message resynchronization impossible. And if resynchronization is in progress for the specified transaction pipe, IMS rejects the command and issues message DFS2392I.

### TPIPE

Is used with the /DEQUEUE command to dequeue messages associated with an OTMA transaction pipe.

### TRANSACTION

Dequeues one or more messages from the transaction specified. The transaction name is a 1- to 8-byte name. The transaction must be stopped for messages to be dequeued.

**Restriction:** This keyword is valid only in a shared-queues environment.

**Recommendation:** Stop the transaction on all IMS subsystems in the shared queues group before issuing the /DEQUEUE TRANSACTION command. If you do not, the IMS subsystem that processes the /DEQUEUE could dequeue a message it does not own and that another IMS subsystem might need.

A /DEQUEUE TRANSACTION command does not dequeue messages enqueued for suspended transactions.

### USER (LTERM)

Dequeues all messages associated with all LTERMs (or a specific) LTERM assigned to that USER. The user must be stopped and not in conversation in order to enter /DEQUEUE USER with PURGE and PURGE1. /DEQUEUE USER with PURGE1 or /DEQUEUE USER LTERM without PURGE or PURGE1 requires the

LTERM keyword. If a user is signed on, /DEQUEUE USER LTERM can be used to cancel an output message that is currently being processed. When the purge options are used, messages destined for the MTO and users in response mode, Fast Path, and conversation cannot be canceled. If the USER and LTERM keywords have both been supplied, the LTERM must be a valid LTERM of the specified USER.

If the user has DEADQ status, the DEADQ status is removed.

---

## Examples

### Example 1 for /DEQUEUE Command

Entry ET:

```
/DEQUEUE AOITOKEN ABCDE
```

Response ET:

```
DFS058I DEQUEUE COMMAND COMPLETED
```

Explanation: The messages on AOITOKEN ABCDE are dequeued and discarded.

### Example 2 for /DEQUEUE Command

Entry ET:

```
/DEQUEUE LINE 5 PTERM 2
```

Response ET:

```
DFS058I DEQUEUE COMMAND COMPLETED
```

Explanation: The message is terminated on successful completion of the current transmission.

### Example 3 for /DEQUEUE Command

Entry ET:

```
/DEQUEUE LTERM ABCDE PURGE
```

Response ET:

```
DFS976I 2 MESSAGE(S) PURGED
```

Explanation: Two messages are dequeued for LTERM ABCDE (the line is stopped and idle as required).

### Example 4 for /DEQUEUE Command

Entry ET:

```
/DEQUEUE LTERM ABCDE PURGE1
```

Response ET:

```
DFS058I DEQUEUE COMMAND COMPLETED
```

Explanation: The message is dequeued for LTERM ABCDE.

### Example 5 for /DEQUEUE Command

Entry ET:

```
/DEQ LUNAME 'NETWORK1.LUNAME1' TPNAME TPNAME1 PURGE
```

Response ET:

DFS1952 10:51:35 DESTINATION NOT FOUND

Explanation: An invalid APPC destination was entered.

## **Example 6 for /DEQUEUE Command**

Entry ET:

/DEQ LUNAME 'CICSNET.SERVER1' TPNAME DFSASync PURGE1

Response ET:

DFS976I 14:10:25 1 MESSAGE(S) PURGED

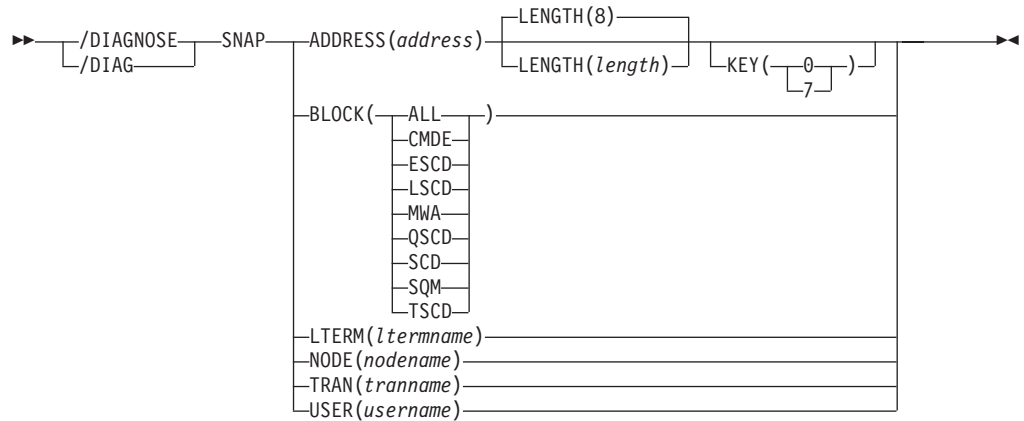
Explanation: The message was dequeued from the APPC destination LUNAME CICSNET.SERVER, TPNAME DFSASync.



# Chapter 20. /DIAGNOSE

## Format

3



3

3

## Environments

Table 44 lists the environments (DB/DC, DBCTL, and DCCTL) from which the command can be issued.

Table 44. Valid Environments for the /DIAGNOSE Command and Keywords

Command / Keywords	DB/DC	DBCTL	DCCTL
/DIAGNOSE	X	X	X
ADDRESS	X	X	X
BLOCK	X	X	X
LTERM	X		X
NODE	X		X
SNAP	X	X	X
TRAN	X		X
USER	X		X

3

3

3

## Usage

1

1

1

The /DIAGNOSE command allows users to retrieve diagnostic information for system resources such as IMS control blocks, user-defined nodes, or user-defined transactions at any time without taking a console dump.

1

1

1

**SNAP** Captures storage information and writes the information to the OLDS as type X'6701' records. Storage information can be captured for IMS control blocks, user-defined nodes, and user-defined transactions.

3

3

3

3

### ADDRESS

Captures information about a specific area stored in memory. The *address* identifies the area and must specify a hexadecimal value between 0 and 7FFFFFFF.

3

3

### LENGTH

Specifies the length of the address. The LENGTH parameter is

3 optional and has a default value of 8. If the LENGTH parameter  
 3 is specified, the *length* must be a numeric value between 1 and  
 3 65536.

3 **KEY**

3 Alters the PSW key prior to accessing the specified storage.  
 3 The KEY parameter is optional. Valid values for the KEY  
 3 parameter must be a numeric value between 0 and 7.

1 **BLOCK**

1 Captures information for a specific IMS control block. A control  
 1 block name or ALL is required. Valid control block names include:

1 **ALL** Captures information for all valid control blocks  
 1 currently available.

1 **CMDE** Captures information for the Commands SCD  
 1 Extension control block.

1 **ESCD** Captures information for the Extended System  
 1 Contents Directory control block.

1 **LSCD** Captures information for the LU 6.2 Extension to  
 1 SCD control block.

1 **MWA** Captures information for the Modify Work Area  
 1 control block.

1 **QSCD** Captures information for the Queue Manager  
 1 Extension to SCD control block.

1 **SCD** Captures information for the System Contents  
 1 Directory control block.

1 **SQM** Captures information for the Shared Queue Master  
 1 control block.

1 **TSCD** Captures information for the OTMA Extension to  
 1 SCD control block.

3 **LTERM**

3 Captures information about the logical terminal specified in the  
 3 parameter, *ltermname*. If an LTERM is locally defined, the local  
 3 control block information is captured. In a shared queues  
 3 environment, if an LTERM is not defined on the local system issuing  
 3 the command, global information for that LTERM is gathered from  
 3 an available Resource Structure. If a control block is available,  
 3 information associated with the specified LTERM is captured.  
 3 Following is a list of control blocks:

3 **CLB** Communication Line Block

3 **CTB** Communication Terminal Block

3 **CTT** Communication Translate Table

3 **CRB** Communications Restart Block

3 **SPQB** Subpool Queue Block

3 **CNT** Communication Name Table (maximum of five)

3 **CCB** Conversational Control Block

3 **CIB** Communication Interface Block



3                   **INBUF**           Input Line Buffer

3                   **OUTBF**           Output Line Buffer

1                   **NODE** Captures information about the node specified in the parameter,  
1                   *nodename*. If a NODE is locally defined, the local NODE  
1                   information is captured. In a shared queues environment, if a  
1                   NODE is not defined on the local system issuing the command,  
1                   global information for that NODE is gathered from an available  
1                   Resource Structure. If a control block is available, information  
1                   associated with the specified NODE is captured. Following is a list  
1                   of control blocks:

1                   **CLB**            Communication Line Block

1                   **CTB**            Communication Terminal Block

1                   **CTT**            Communication Translate Table

1                   **CRB**            Communications Restart Block

1                   **SPQB**           Subpool Queue Block

1                   **CNT**            Communication Name Table (maximum of five)

1                   **CCB**            Conversational Control Block

1                   **CIB**            Communication Interface Block

1                   **INBUF**           Input Line Buffer

1                   **OUTBF**           Output Line Buffer

1                   **TRAN** Captures information about the transaction specified in the  
1                   parameter, *trancode*. This keyword captures the SMB data for a  
1                   specified transaction.

3                   **USER** Captures information about the user specified in the parameter,  
3                   *username*. If a USER is locally defined, the local USER information  
3                   is captured. In a shared queues environment, if a USER is not  
3                   defined on the local system issuing the command, global  
3                   information for that USER is gathered from an available Resource  
3                   Structure. If a control block is available, information associated with  
3                   the specified USER is captured. Following is a list of control blocks:

3                   **CLB**            Communication Line Block

3                   **CTB**            Communication Terminal Block

3                   **CTT**            Communication Translate Table

3                   **CRB**            Communications Restart Block

3                   **SPQB**           Subpool Queue Block

3                   **CNT**            Communication Name Table (maximum of five)

3                   **CCB**            Conversational Control Block

3                   **CIB**            Communication Interface Block

3                   **INBUF**           Input Line Buffer

3                   **OUTBF**           Output Line Buffer

---

## Example for /DIAGNOSE Command

Entry ET:

```
/DIAGNOSE SNAP TRAN(tranname)
```

Response ET:

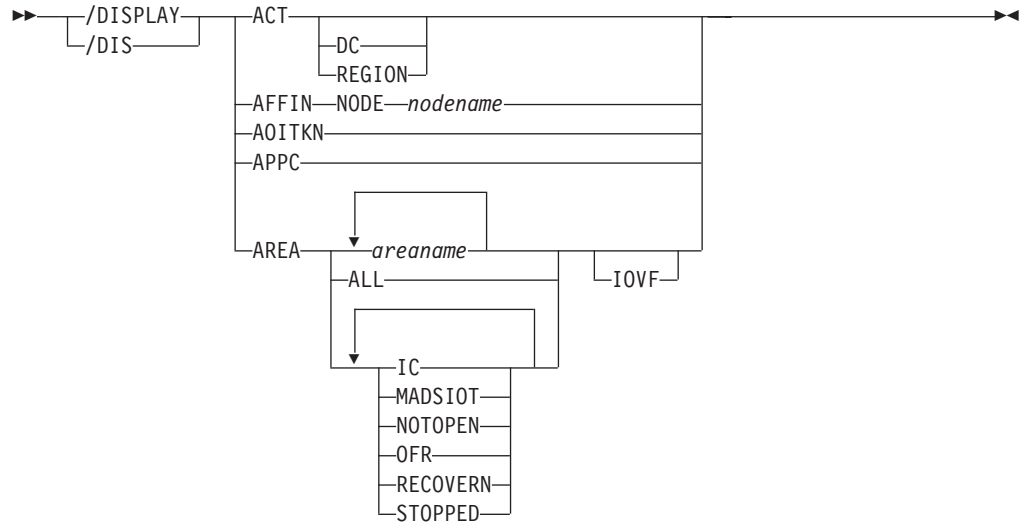
```
DFS058I DIAGNOSE COMMAND COMPLETED
```

Explanation: Diagnostic information about transaction *tranname* is captured on the IMS log.

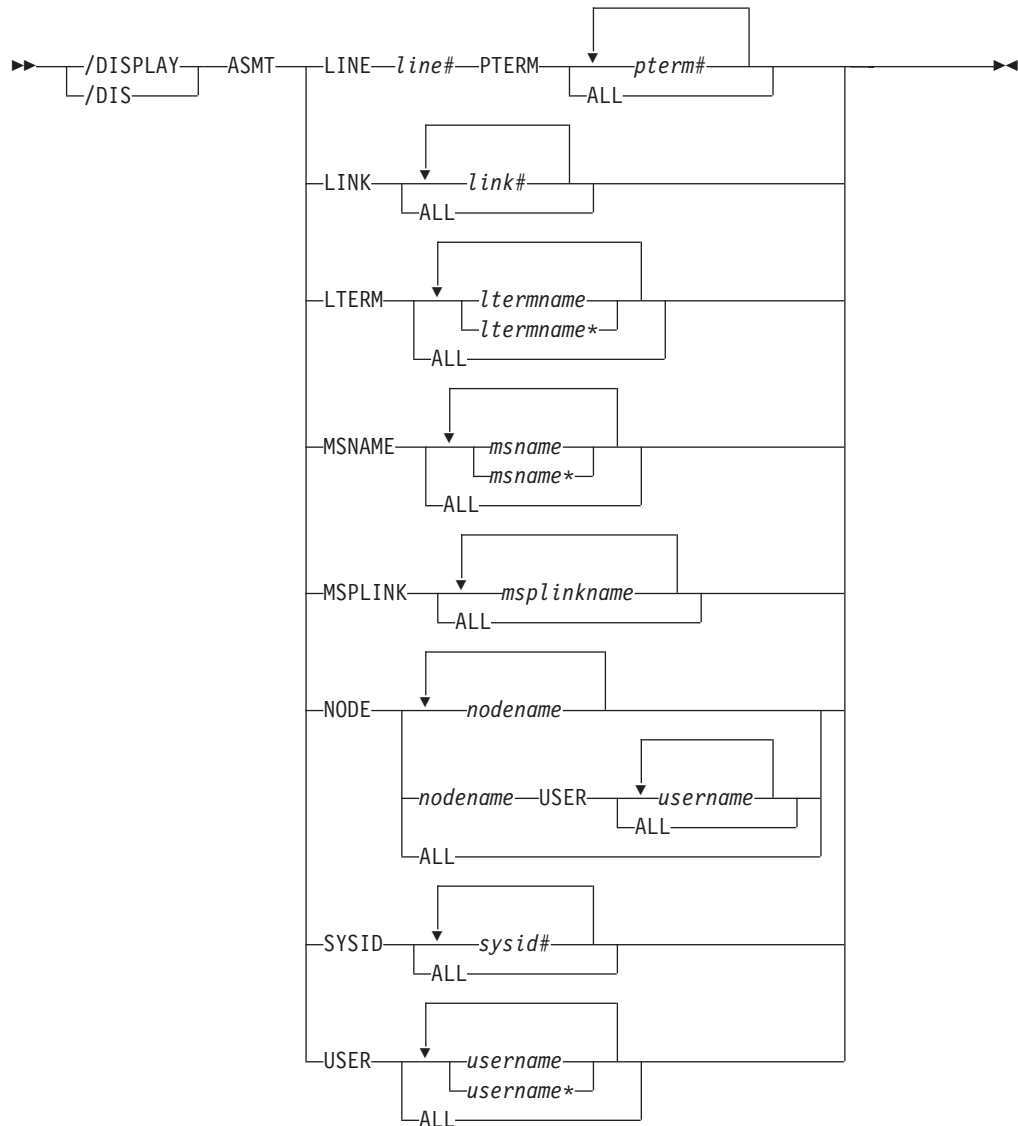
# Chapter 21. /DISPLAY

## Format

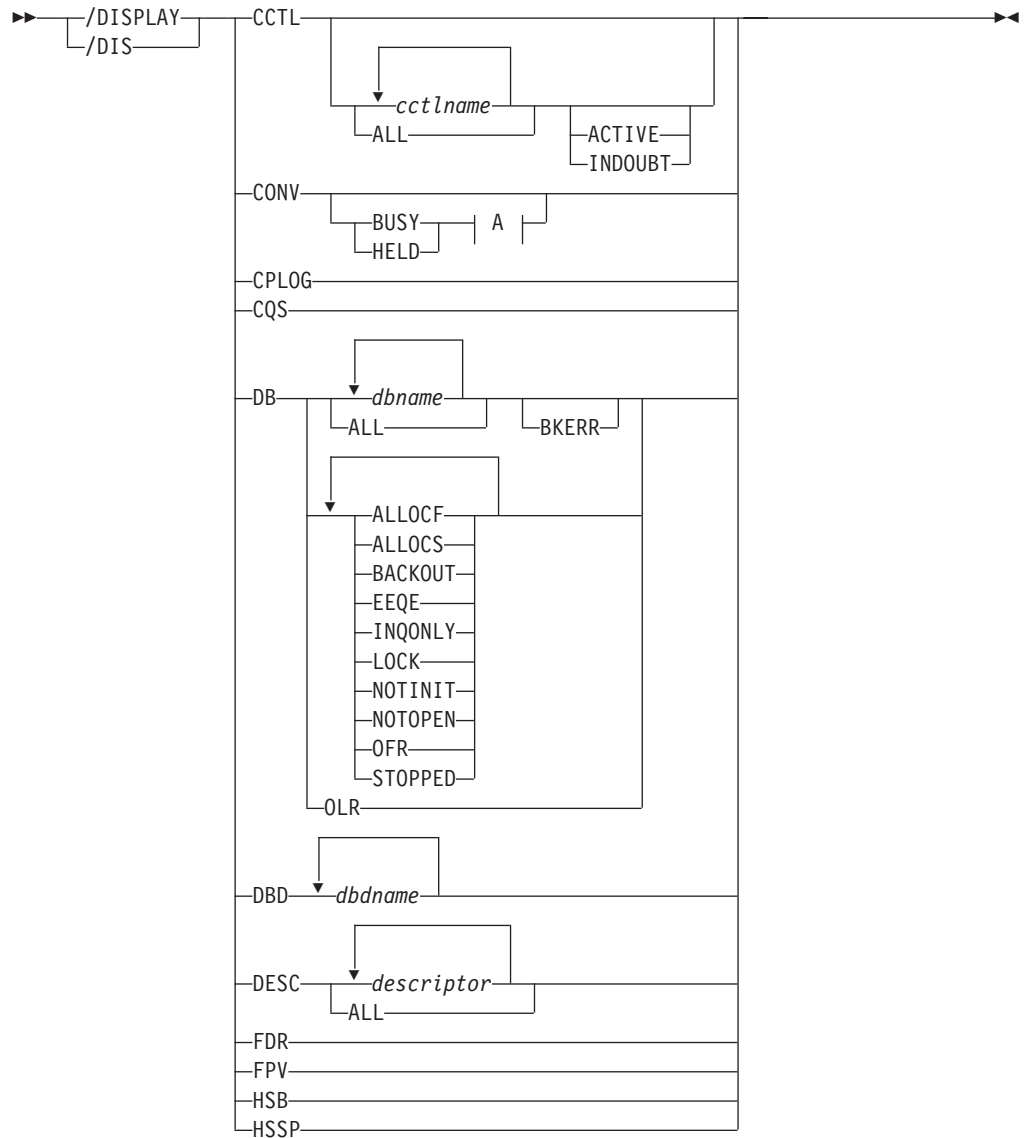
### /DISPLAY ACTIVE Command



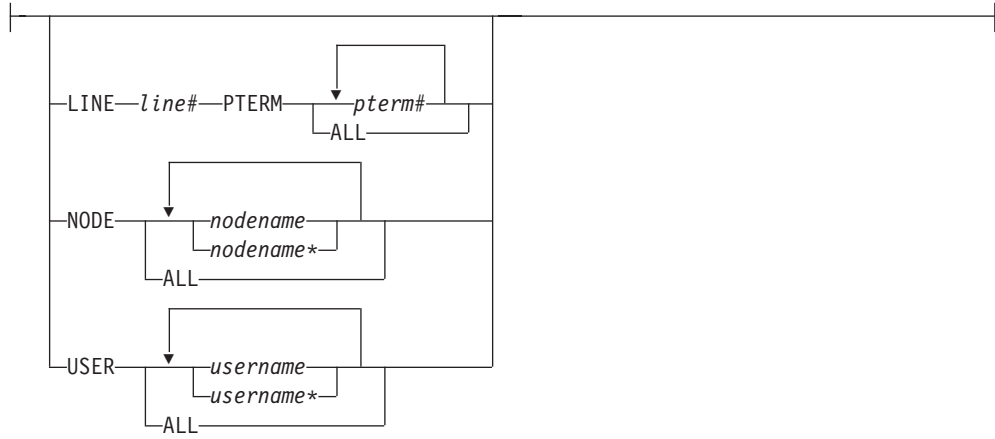
**/DISPLAY ASSIGNMENT Command**



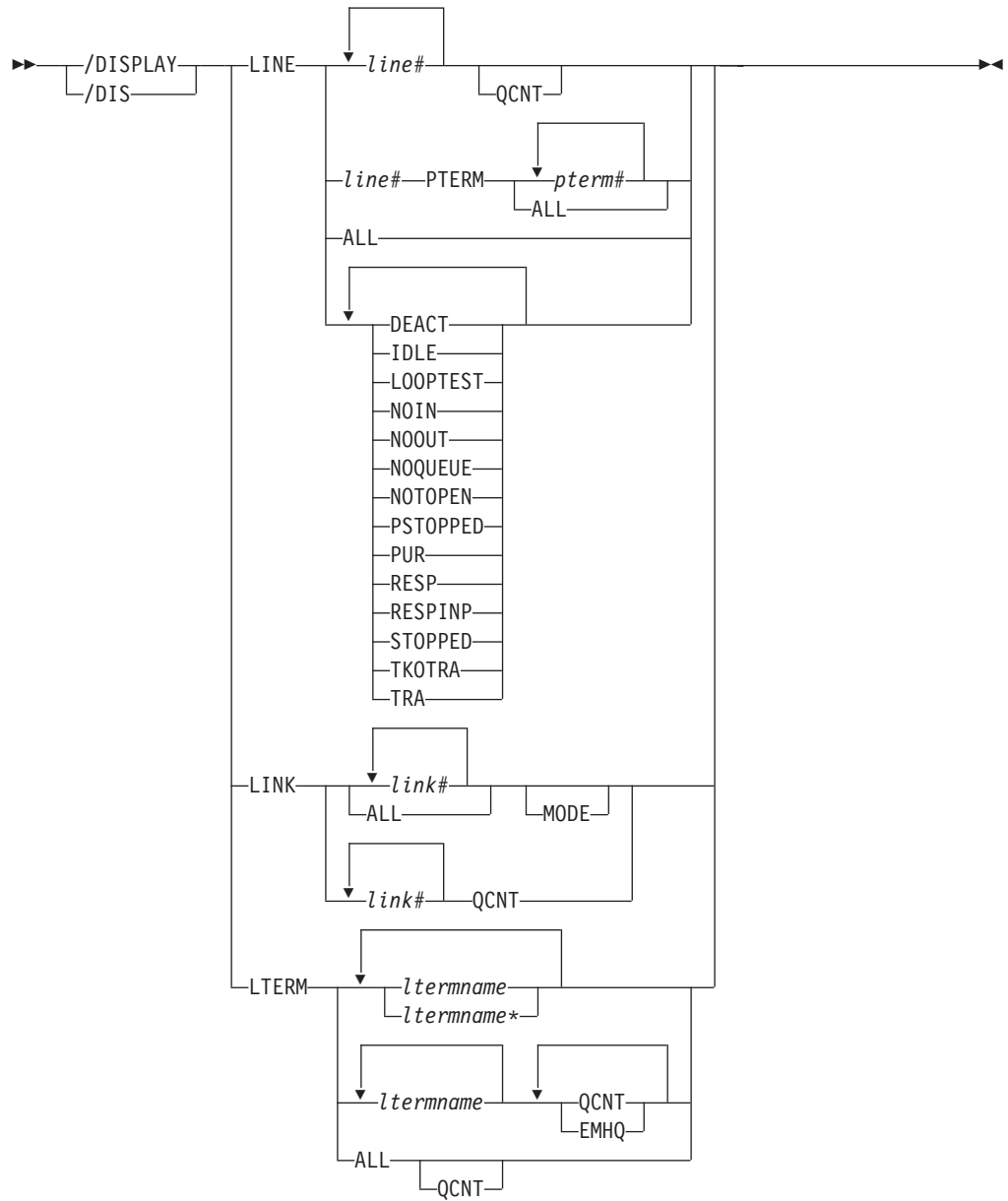
**/DISPLAY Command: CCTL Through HSSP**



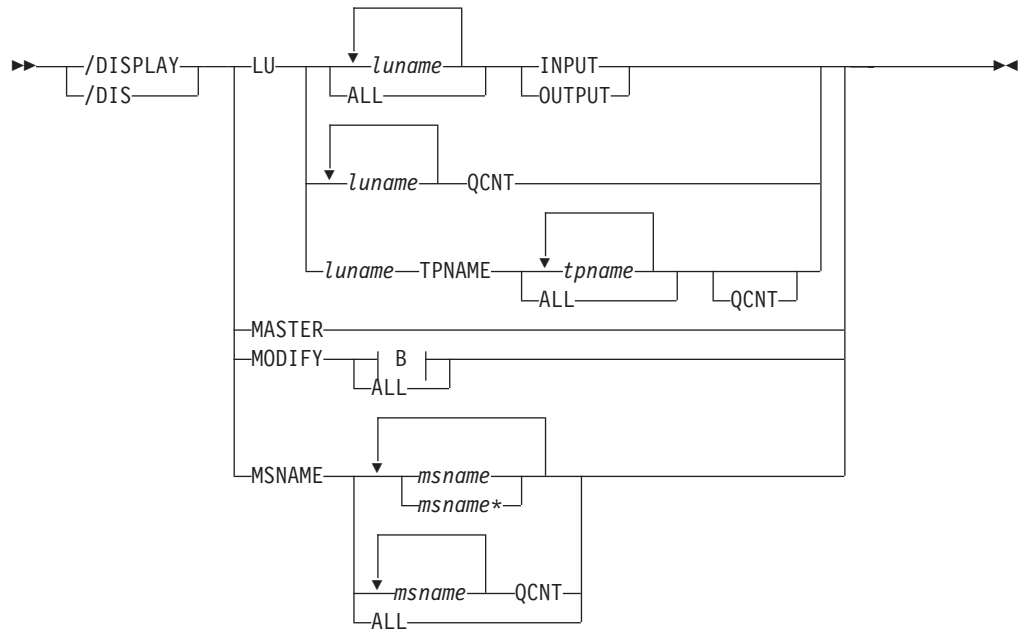
A:



**/DISPLAY Command: LINE through LTERM**



**/DISPLAY Command: LU through MSNAME**

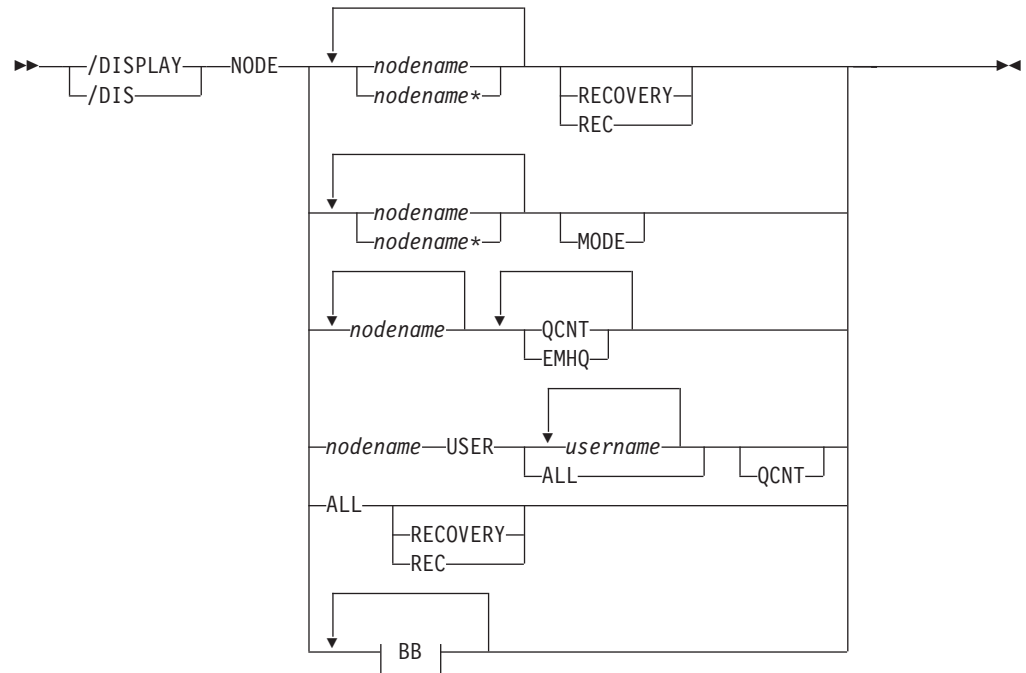


**B:**





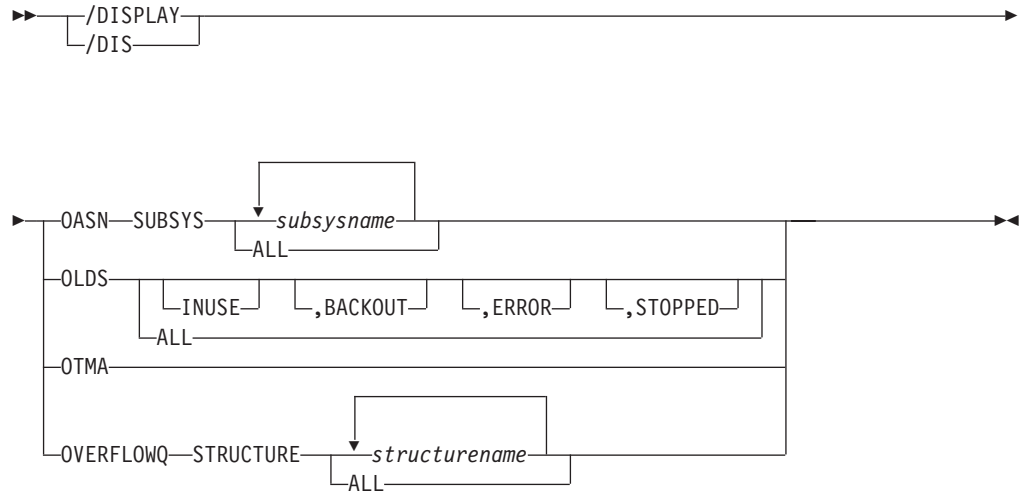
**/DISPLAY NODE Command**



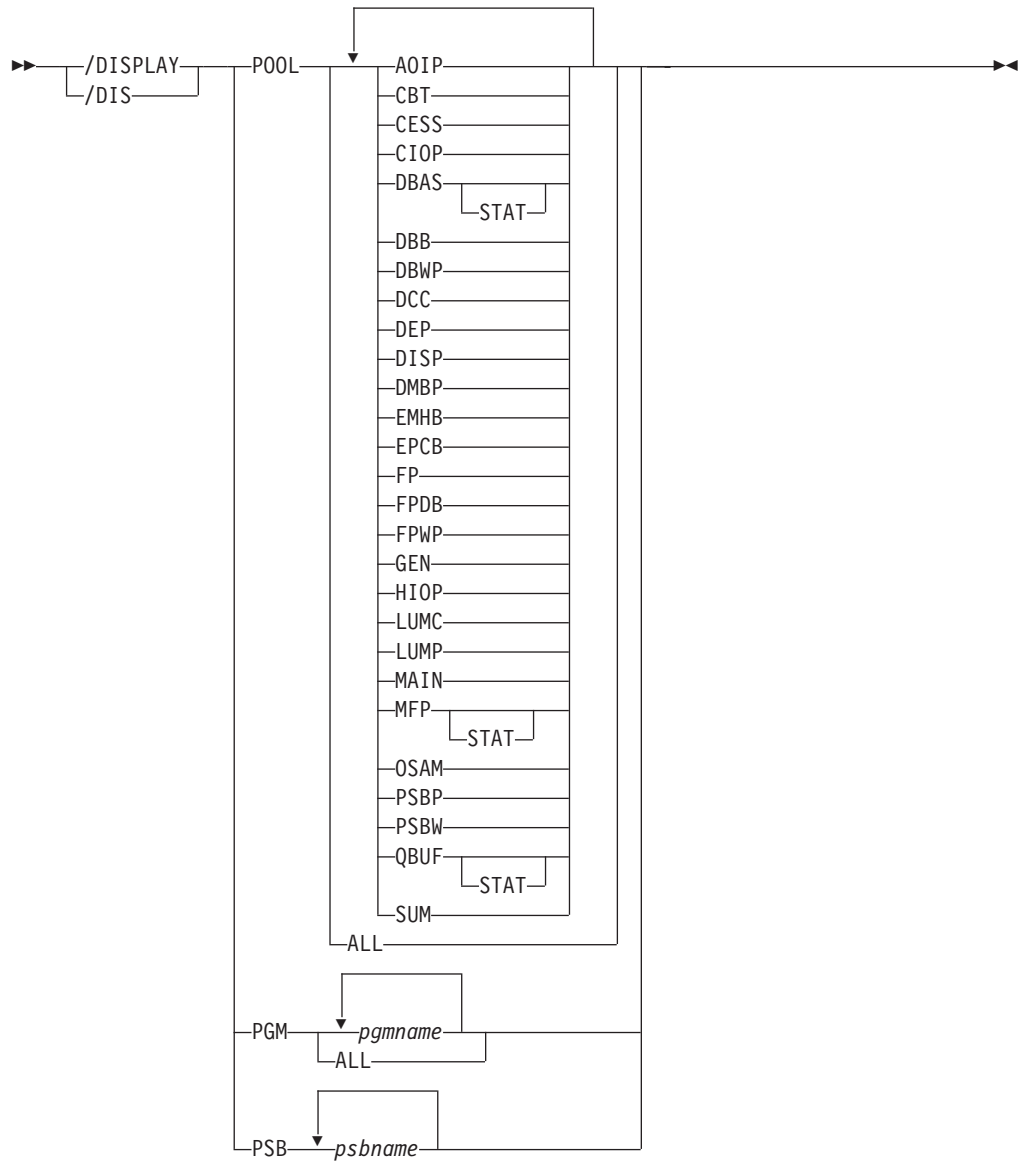
**BB:**

ACTIV
AUTOSR
BCKUP
CLSDST
CON
CONVACT
CONVHLD
C1INOP
C2INOP
C3INOP
C4INOP
DEACT
EXCL
FORCES
IDLE
INOP
LOCK
LOST
MFST
OPNDST
PAGE
PRI
PRST
QUI
RELREQ
RESP
RESPINP
RESYNC
SEC
SHUT
SIGN
SIMLOGON
STATIC
STOPPED
TEST
TKOTRA
TRA

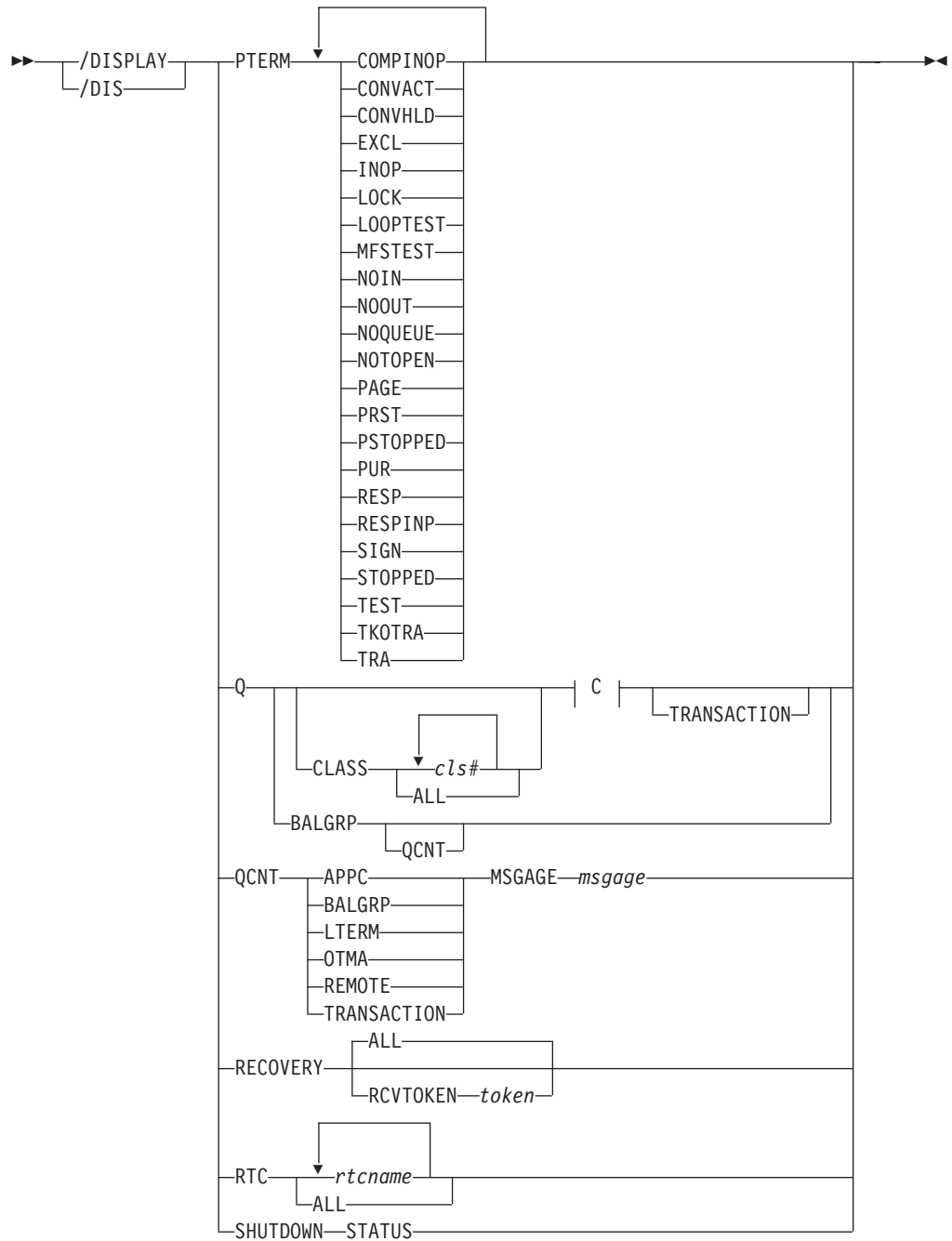
**/DISPLAY Command: OASN through OVERFLOWQ**



**/DISPLAY Command: POOL through PSB**



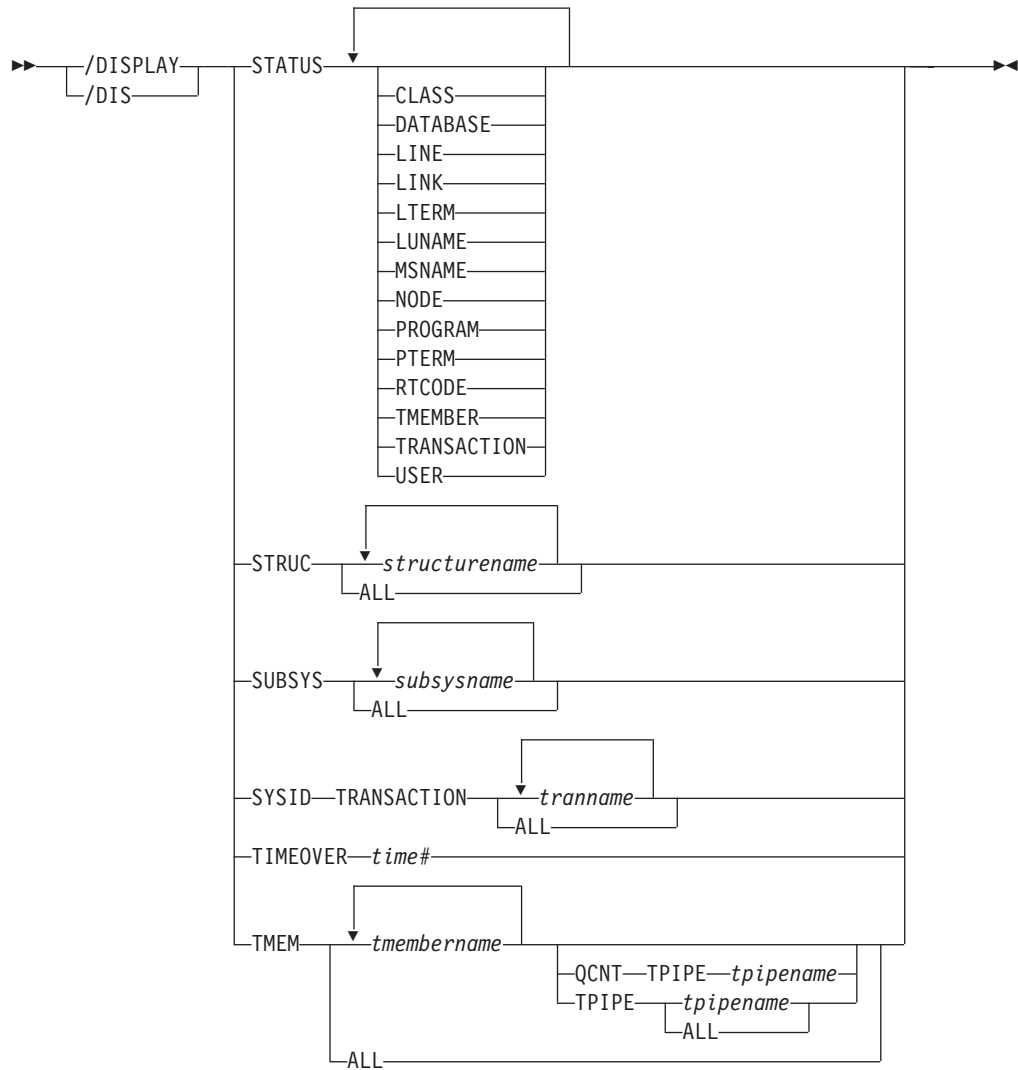
**/DISPLAY Command: PTERM through SHUTDOWN STATUS**



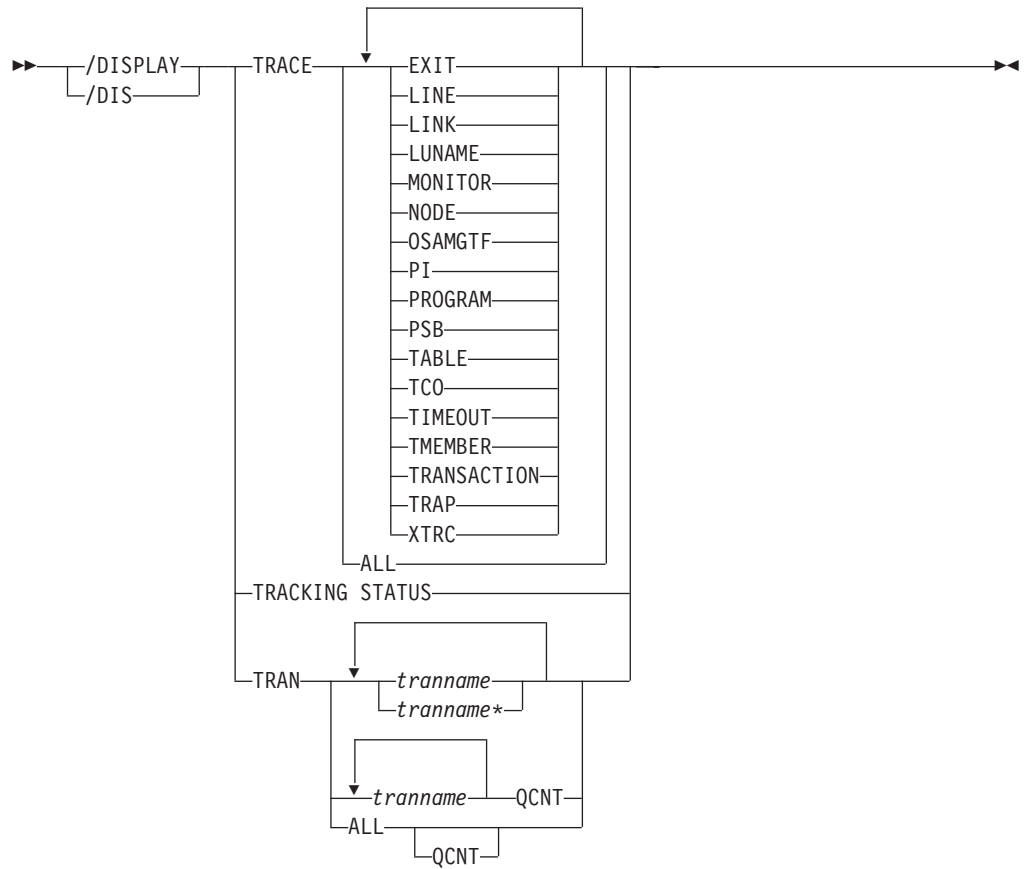
**C:**



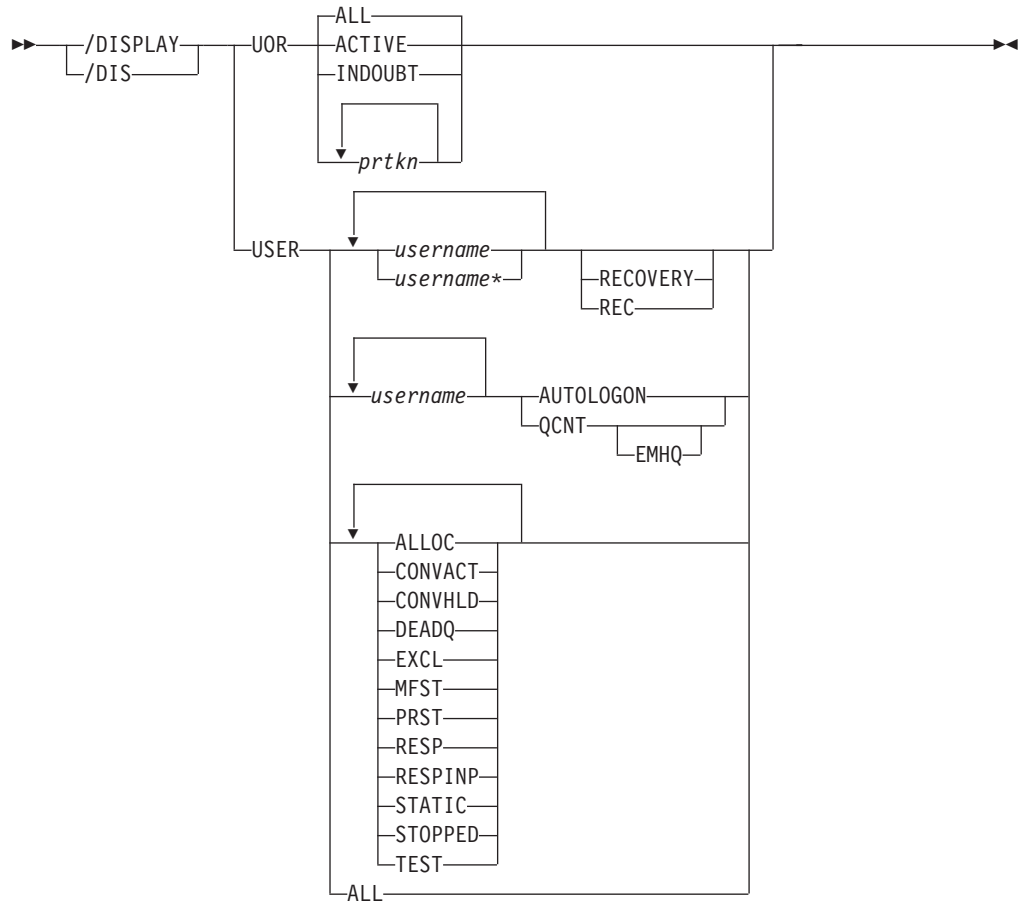
**/DISPLAY Command: STATUS through TMEM**



**/DISPLAY Command: TRACE through TRAN**



**/DISPLAY Command: UOR through USER**





## Environments and Keywords

Table 45 lists the environments (DB/DC, DBCTL, and DCCTL) from which the command and keywords can be issued.

Table 45. Valid Environments for the /DISPLAY Command and Keywords

Command / Keywords	DB/DC	DBCTL	DCCTL
/DISPLAY	X	X	X
ACT	X	X	X
AFFIN	X		X
AOITKN	X	X	X
APPC	X		X
AREA	X	X	
ASMT	X		X
AUTOLOGON	X		X
BALGRP	X		X
BKERR	X	X	
CCTL	X	X	
CLASS	X		X
CONV	X		X
CPLOG	X	X	X
CQS	X		X
DB	X	X	
DBD	X	X	
DC	X		X
DESC	X		X
EMHQ	X		X
EXIT	X		X
FDR	X	X	
FPV	X	X	
HSB	X		X
HSSP	X	X	
INDOUBT	X	X	
INPUT	X		X
LINE	X		X
LINK	X		X
LTERM	X		X
LU	X		X
MADSIOT	X	X	
MASTER	X		X
MODE	X		X
MODIFY	X	X	X
MONITOR	X	X	X

Table 45. Valid Environments for the /DISPLAY Command and Keywords (continued)

Command / Keywords	DB/DC	DBCTL	DCCTL
MSGAGE	X		X
MSNAME	X		X
MSPLINK	X		X
NODE	X		X
OASN	X	X	X
OLDS	X	X	X
OSAMGTF	X	X	
OTMA	X		X
OUTPUT	X		X
OVERFLOWQ	X		X
PI	X	X	
PGM	X	X	X
POOL	X	X	X
PRIORITY	X		X
PSB	X	X	X
PTERM	X		X
Q	X		X
QCNT	X		X
RECOVERY	X	X	
REGION	X	X	X
REMOTE	X		X
RTC	X		X
SHUTDOWN	X	X	X
STATUS	X	X	X
STRUC	X		X
SUBSYS	X	X	X
SYSID	X		X
TABLE	X	X	X
TCO	X	X	X
TIMEOUT	X		X
TIMEOVER	X		X
TMEM	X		X
TPIPE	X		X
TPNAME	X		X
TRACE	X	X	X
TRACKING	X	X	X
TRAN	X		X
TRAP	X		X
UOR	X	X	
USER	X		X

Table 45. Valid Environments for the /DISPLAY Command and Keywords (continued)

Command / Keywords	DB/DC	DBCTL	DCCTL
XTRC	X	X	X

---

## Usage

/DISPLAY displays the processing status of IMS message queues and processing resources. /DISPLAY can provide helpful information for controlling IMS operations.

The output from a /DISPLAY command consists of headings that describe the display, the information requested, and a time stamp showing Julian date and time, in one of the following two formats:

```
yyddd/hhmmss
yyyddd/hhmmss
```

You control the timestamp format by specifying the YEAR4= execution parameter.

If the command includes a generic parameter that does not match any existing resource, an error message results.

See Appendix G, "Status and Attributes for the /DISPLAY Command," on page 855 for a list of attributes and status in the /DISPLAY command.

3 In an IMSplex, when status is copied to RM at signoff/logoff time, the status (and  
3 control blocks if the resource is dynamic) are deleted from the local system.  
3 Pre-IMS Version 9 Automated Operator Interface (AOI) application programs that  
3 issue /DISPLAY commands will not see some status information that is kept in RM.  
3 When a /DISPLAY command is issued for NODE, USER, and LTERM resources  
3 from the command master, global status from RM may be displayed. The output of  
3 the display command will be dependent on the following guidelines:

### Command Master IMS System

- 3 • Displays information from the local system
- 3 • Displays information from RM that is not owned, or is owned by a failed  
3 system

### Other IMS Systems

3 Displays information from the local system

3 Use of ALL, generic parameters, the /DISPLAY STATUS command, and the /DISPLAY  
3 CONVERSATION command without a specific resource name will result in extensive  
3 accesses to the Resource Manager for global information, and their use should be  
3 carefully considered.

---

## **/DISPLAY ACTIVE**

The /DISPLAY ACTIVE command displays region and DC information associated with an IMS system. The region is scheduled to an application program and the IMS resources are assigned.

When you issue /DISPLAY ACTIVE from a specific environment, such as DCCTL, only the information that is valid for that environment is displayed.

Examples of using the /DISPLAY ACTIVE command are shown in

- “Example 1 for /DISPLAY ACTIVE Command” on page 282
- “Example 2 for /DISPLAY ACTIVE Command” on page 282
- “Example 3 for /DISPLAY ACTIVE Command” on page 282
- “Example 4 for /DISPLAY ACTIVE Command” on page 283
- “Example 5 for /DISPLAY ACTIVE Command” on page 283
- “Example 6 for /DISPLAY ACTIVE Command” on page 283
- “Example 7 for /DISPLAY ACTIVE Command” on page 284
- “Example 8 for /DISPLAY ACTIVE Command” on page 284
- “Example 9 for /DISPLAY ACTIVE Command” on page 284
- “Example 10 for /DISPLAY ACTIVE Command” on page 285
- “Example 11 for /DISPLAY ACTIVE Command” on page 285
- “Example 12 for /DISPLAY ACTIVE Command” on page 285
- “Example 13 for /DISPLAY ACTIVE Command” on page 286

**DC** Displays only the DC subset of the output. The DC portion of the display can include:

- The status of active VTAM ACBs. If MNPS is used for XRF, then both the APPLID ACB and the MNPS ACB are displayed. If MNPS is not active, only the APPLID ACB displays.
- User Variable (USERVAR) name if using an XRF. If MNPS is active, USERVAR is invalid and is not displayed. Instead, the MNPS ACB name is displayed.
- VTAM generic resource name (GRSNAME) and its current status.
- The APPC IMS LU name, the APPC connection status, and the APPC timeout value.
- The APPC/OTMA SHARED QUEUE status, the number of RRS TCBs attached and the number of AWEs (work-elements) queued to the RRS TCBs.
- OTMA status.
- The number of active LINES (BTAM terminals) receiving input or sending output.
- The number of active NODES receiving input or sending output.
- The number of active LINKS (half sessions) receiving input or sending output.

### REGION

Displays only the REGION subset of the output. The display consists of active regions.

Output for the /DISPLAY ACTIVE DC command is listed below:

### OTMA GROUP

Status of the IMS Open Transaction Manager Access (OTMA) group. The status can be either ACTIVE or NOTACTIVE.

There can be only one OTMA group active at one time.

### VTAM ACB

The status of the VTAM ACB, which can be OPEN, CLOSE PENDING, or CLOSED. The status of LOGONS can be ENABLED or DISABLED. The base IMS LU name and the current APPC connection status are shown if IMS is running with an APPC/MVS-capable operating system.

The following are displayed for the VTAM ACB:

2                   **APPLID=**  
 3                   The application identification name for IMS. If MNPS is used with  
 3                   XRF, then it is the APPLID ACB.

2                   **USERVAR=**  
 2                   The user name for IMS. Only applicable for XRF-capable or  
 2                   RSR-capable systems.

2                   **GRSNAME=**  
 2                   The VTAM generic resource name. Displayed as blanks if no  
 2                   generic resource name exists.

2                   **Restriction:** IMS displays either the USERVAR or the GRSNAME.  
 2                   For non-XRF or non-RSR subsystems (no USERVAR specified),  
 2                   IMS displays the GRSNAME, which can be blank.

2                   If the IMS system is XRF, the following fields are appended to the  
 2                   date/time stamp:

2 <b>RSEname</b>	Recoverable service element name
2 <b>System</b>	ACTIVE or BACKUP

3                   **MNPS=**  
 3                   The MNPS ACB name if MNPS is used for XRF.

2                   **STATUS**  
 2                   One of the following:

2                   **AWAITING SNAPQ**  
 2                   Alternate system awaiting SNAPQ checkpoint from active

2                   **SYNCHRONIZING**  
 2                   Alternate system processing SNAPQ checkpoint

2                   **TRACKING**  
 2                   Alternate system is in process of tracking active system

2                   **TAKEOVER REQUESTED**  
 2                   Alternate system requests a takeover

2                   **TAKEOVER IN PROGRESS**  
 2                   Alternate system in process of taking over workload from  
 2                   active

2                   **I/O TOLERATION**  
 2                   New active system in I/O toleration phase of processing  
 2                   prior to becoming a true active system.

2                   Output for the /DISPLAY ACTIVE REGION command is listed below:

2                   **REGID**  
 2                   Region identifier. For DBCTL, the thread number is displayed.

2                   **JOBNAME**  
 2                   The name of the job processing in the region.

2                   If no regions of that type exist, the job name is set to MSGRGN, FPRGN,  
 2                   BATCHRGN, or DBTRGN, depending on the region type. DBTRGN is only  
 2                   displayed for systems that support DBT threads.

2                   DBTRGN, BATCHRGN, or FPRGN is displayed for DBCTL.

2                   **TYPE** Type of application program processing in the region, or type of region.  
 2                   BMH, BMP, DBRC, DBT, DLS, and FPU are displayed for DBCTL.

2 The following region/program types can be displayed:

2	<b>BMH</b>	HSSP processing
2	<b>BMP</b>	Batch message processing
2	<b>BMPE</b>	Batch message processing for an external subsystem thread
2	<b>DBRC</b>	DBRC address space
2	<b>DBT</b>	DBCTL thread
2	<b>DLS</b>	DL/I address space
2	<b>FP</b>	Fast Path
2	<b>FPE</b>	Fast Path processing for an external subsystem
2	<b>FPM</b>	Fast Path message-driven program
2	<b>FPME</b>	Fast Path message-driven program for an external subsystem thread
2	<b>FPU</b>	Fast Path utility program
2	<b>FPUE</b>	Fast Path utility program for an external subsystem thread
2	<b>TP</b>	Teleprocessing
2	<b>TPE</b>	Message-driven program for an external subsystem thread
2	<b>TPI</b>	Transaction Program Instance. A CPI Communications driven transaction is running in the region.

**TRANSACTION/STEP**

2 Transaction code being processed by region, or NONE, if there are no  
2 regions of that type.

**PROGRAM**

2 Name of the program processing in the region.

2 DFSCPIC is displayed for CPI Communications driven transaction programs  
2 that have not issued a DL/I APSB call to allocate a PSB.

2 For DBCTL, SB name is displayed.

**STATUS**

2 Status of the region, which can be one of the following:

**ACTIVE-DBCMD**

2 A /DBD or a /DBR command is in progress and waiting for the region  
2 to terminate before the /DBD or /DBR can complete.

**AVAILABLE**

2 The availability of active threads. The region is available to  
2 schedule an application.

**SCHEDULED**

2 The application program is being scheduled.

**TERMINATING**

2 The application program is being terminated.

**UNAVAILABLE**

2 An active DBT thread is unavailable. An application is using the  
2 region, even though the application is not currently scheduled. This  
2 region is therefore not available to any other application.

2           **WAITING**  
 2           The MPP region is waiting for work.

2           **WAIT-AOI**  
 2           An AO application issued a GMSG call with the WAITAOI  
 2           subfunction specified, but there are no messages for the AO  
 2           application to retrieve.

2           **WAIT-BLOCKMOVER**  
 2           An application control block cannot be loaded because the ACB  
 2           block mover is busy.

2           **WAIT-CMD/PENDING**  
 2           A /DBDUMP, /DBRECOVERY, or /START command is in progress.

2           **WAIT-INPUT**  
 2           The application program is in WAIT-FOR-INPUT (WFI) mode.

2           **WAIT-INTENT**  
 2           The application program's intent for a database conflicts with the  
 2           use of the database by a scheduled program.

2           **WAIT-INTENT/POOL**  
 2           Indicates either the application program's intent for a database  
 2           conflicts with the use of the database by a scheduled program, or a  
 2           temporary shortage of DMB, PSB, or PSB work area pool space  
 2           exists.

2           **WAIT-INTENT SCHED**  
 2           The IMS transaction scheduler detected an application scheduling  
 2           intent failure. (For example, Load Balancing.)

2           **WAIT-I/O PREVEN**  
 2           A BMP region which accesses a GSAM database cannot schedule  
 2           until I/O prevention has completed.

2           **WAIT-MESSAGE**  
 2           The application program is in a pseudo WAIT-FOR-INPUT (WFI)  
 2           mode. The application is scheduled and is waiting for a message.

2           **WAIT-POOLSPACE**  
 2           A temporary shortage of DMB, PSB, or PSB work area pool space  
 2           exists.

2           **WAIT-SWITCHOVER**  
 2           The alternate system is tracking the active system.

2           **WAIT-SYNCPOINT**  
 2           The application in the region is now in SYNC POINT.

2           **WAIT-EPCB POOL**  
 2           A temporary shortage of EPCB pool space exists.

2           **WAIT-RRS PC**  
 2           The application program has a protected conversation with an  
 2           OTMA client that is processing a sync point. Sync point can  
 2           continue after the OTMA client issues either an SRRCMIT or  
 2           SRRBACK call. Or, the application program is part of a cascaded  
 2           family and is processing a sync point. APPC/OTMA SMQ  
 2           Enablement uses RRS cascaded transaction support to synchronize  
 2           the back-end and the front-end system.

- 2                   **CLASS**  
1                    One of the classes associated with the region. The region can have from 1  
1                    to 4 classes, whose values range from 1 to 999.
- 2                   **Note:** If /DISPLAY ACTIVE command is issued, the output for both DC and REGION  
2                    is displayed.

---

**/DISPLAY AFFINITY**

The /DISPLAY AFFINITY command displays current affinities the IMS subsystem has with specific nodes.

This command is only valid when you use VTAM generic resources.

An example of using the /DISPLAY AFFINITY command is shown in “Example for /DISPLAY AFFINITY Command” on page 286

---

**/DISPLAY AOITOKEN**

/DISPLAY AOITOKEN displays all AOI tokens in the system. An example using /DISPLAY AOITOKEN is shown in “Example for /DISPLAY AOITOKEN Command” on page 286

The following information is displayed for each AOI token:

**AOITOKEN**

AOI token name.

**ENQCT**

Total number of messages enqueued. In a shared-queues environment, only shows messages enqueued for the local subsystem.

**QCT** Number of messages currently queued to the token and not yet retrieved by the AO application. In a shared-queues environment, only shows messages enqueued for the local subsystem.

**SEGS** Number of segments in messages queued (QCT) to the AOI token.

**W-REGID**

The region IDs of AO applications that issued a GMSG call with the WAITAOI subfunction specified. This AO application is in a wait state, since there are currently no messages for it to retrieve.

If QCT=0 and W-REGID=NONE, then the AOI token is deleted at the next checkpoint.

---

**/DISPLAY APPC**

APPC displays inquiries about LU 6.2 related activities, including the current outbound LU if it is different from the base LU.

The output for /DISPLAY APPC is as follows:

**IMSLU**

The IMSLU is a base IMS LU name. This LU is always a network-qualified LU name. It is displayed as N/A.N/A if IMS is not connected to APPC/MVS. For example, if status is DISABLED, FAILED, or STARTING, N/A.N/A applies. For the CANCEL status, the field can contain either the LU name or N/A.N/A.



**#APPC-CONV**

LU 6.2 inbound and outbound conversation count.

**SECURITY**

RACF security level, which is one of the following:

- CHECK
- FULL
- NONE
- PROFILE

**STATUS**

Current APPC connection status. The possible values for APPC connection status are:

**CANCEL**

Shown after the /STOP APPC CANCEL command.

**DISABLED**

Shown when APPC/IMS is not identified or connected to APPC/MVS.

**ENABLED**

Shown after successful /START APPC command completion.

**FAILED**

Shown after unsuccessful /START APPC command.

**OUTBOUND**

Shown on the XRF alternate system as it tracks the active. It is also shown on the active if IMS is unable to initiate normal APPC processing. For example, the /START APPC command can be reissued to attempt APPC enablement.

**PURGING**

Shown after the /PURGE APPC command.

**STARTING**

Shown after the /START APPC is issued and before the status is set to ENABLED or FAILED.

**STOPPED**

Shown after the /STOP APPC command.

**DESIRED**

Desired APPC connection status. This status is changed by the /PURGE, /START and /STOP APPC (CANCEL) commands. The possible values for desired APPC connection status are:

**CANCEL**

Shown after /STOP APPC CANCEL

**DISABLED**

Shown when APPC/IMS is not identified or connected to the APPC/MVS

**ENABLED**

Shown after /START APPC

**OUTBOUND**

Shown on the XRF alternate system as it tracks the active

**PURGING**

Shown after /PURGE APPC

**STOPPED**

Shown after /STOP APPC

**GRNAME**

The IMS/APPC generic LU name (if VTAM Generic Resources is activated).

**TYPE** BASE for BASE LU or OUTB for OUTBOUND LU.

**/DISPLAY AREA**

/DISPLAY AREA displays data sets, status conditions, control intervals, and databases associated with an area.

Examples of using the /DISPLAY AREA command are shown in:

- “Example 1 for /DISPLAY AREA Command” on page 287
- “Example 2 for /DISPLAY AREA Command” on page 287
- “Example 3 for /DISPLAY AREA Command” on page 288
- “Example 4 for /DISPLAY AREA” on page 288

The output for /DISPLAY AREA includes:

**AREANAME**

Name of the Fast Path DEDB area.

**DDNAME**

Names of the data sets that contain that area.

**CONDITIONS**

Status conditions associated with the area or ADS.

Status conditions associated with the area include:

**IC** HSSP image copy is currently active on the area.

**MADSIOT**

Displays only the areas that are currently in a long busy condition or are in long busy recovery mode.

**NOT-OPEN**

The area has yet to be opened. This will be done when first call is issued to the area.

**RECALL**

Area is in recall.

**RECOVERY-NEEDED**

The area has been marked RECOVERY-NEEDED. The database recovery utility needs to be run to restore this area.

**STOPPED**

The area is in STOPPED status. All access to it is prohibited. This can be changed with the /START command.

Status conditions associated with the ADS include the following:

**COPY-PHASE**

The CREATE utility is currently in the COPY phase on this ADS. The CREATE utility must complete before anything can be done with this ADS.

**FORMAT-PHASE**

The CREATE utility is currently in the FORMAT phase on this ADS. The CREATE utility must complete before anything can be done with this ADS.

**PRE-OPEN FAILED**

XRF PREOPEN was not successful for this ADS.

**RECALL**

Area is in Recall.

**SEVERE-ERROR**

This ADS has had a severe I/O error (write error to second CI, in which Fast Path keeps its control information).

**UNAVAILABLE**

This ADS has been marked unavailable, probably due to I/O errors. (EQE REMAIN = 0).

**EQECT**

Specifies the count of I/O errors for the area.

**TOTAL SEQ DEPENDENT**

Total control intervals defined for sequential dependent space.

**UNUSED SEQ DEPENDENT**

Unused control intervals for sequential dependent space. See Chapter 8: Database Design Considerations for Fast Path in the *IMS Version 9: Administration Guide: Database Manager* for more information about sequential dependent space management.

**TOTAL DIRECT ADDRESSABLE**

Total control intervals defined for direct addressable space.

**UNUSED DIRECT ADDRESSABLE**

Unused control intervals for direct addressable space.

**DBNAME**

Database name.

**EEQECT**

Count of write error EEQE for this area.

**IOVF** Independent overflow area statistics.

These statistics are only displayed if IOVF is specified on the /DIS AREA command (/DIS AREA ALL IOVF or /DIS AREA areaname IOVF). If the IOVF parameter is not specified on the /DIS AREA command, N/A appears in the display output.

If the /DIS AREA IOVF command is entered on an RSR tracking subsystem, the IOVF statistics might be incorrect.

When the ALL parameter is used with the IOVF keyword (for example, /DIS AREA ALL IOVF), performance can be affected depending on the number and size of areas involved. If large areas, large numbers of areas, or both are involved, the control region can appear to be stopped while processing this command.

“Attribute” is a reserved parameter. Attributes listed with Table 46 on page 220 can be used with the AREA keyword. Areas are selected for display based on the attribute or attributes specified. For example, /DISPLAY AREA STOPPED will only display areas that are currently stopped. The attribute display format is the same as

the standard AREA display. Attributes usually correspond to the conditions displayed for areas. Any exceptions are flagged in Table 46

The attributes are reserved parameters for the /DISPLAY AREA command and cannot be used to name areas. In the following table, listed are the attributes that can be used with the AREA keyword.

Table 46. /DISPLAY AREA Command Attributes

IC	NOTOPEN <sup>1</sup>
OFR	RECOVERN <sup>2</sup>
RECALL	STOPPED

**Note:**

1. Corresponds to AREA condition NOT OPEN.
2. Corresponds to AREA condition RECOVERY NEEDED.

2 If an IMS Fast Path utility is active when the /DISPLAY AREA command is issued, the  
2 following output line is displayed:

2 UTILITY XXXX PVTTOT# YY PVTAVL# ZZ IMSID:SSSS TTTT

2 The output values represent:

- 2 • XXXX - the active utility name or VSO function
- 2 • YY - the total number of private buffers available to the utility
- 2 • ZZ - the number of unused private buffers available to the utility
- 2 • SSSS - the IMSID of the IMS system on which the utility is active
- 2 • TTTT - the IMSID of the IMS system on which the display was issued

| There are six IMS Fast Path utilities, two VSO functions, and one IBM DBTOOL  
| utility that can be displayed. They include:

- | • HSSP (High Speed Sequential Processing utility)
- | • HSRE (DBFUHDR0, High Speed Reorganization utility)
- | • MDL0 (DBFUMDL0, SDEP Delete utility)
- | • MSC0 (DBFUMSC0, SDEP Scan utility)
- | • MRI0 (DBFUMRIO, DEDB Create utility)
- | • MMH0 (DBFUMMH0, DEDB Compare utility)
- | • PRLD (VSO Preload is active)
- | • VXPL (Shared VSO Preload is active)
- | • TOOL (an IBM DBTOOL Online utility)

---

## /DISPLAY ASSIGNMENT

/DISPLAY ASSIGNMENT displays resource assignments.

Examples of using the /DISPLAY ASSIGNMENT command are shown in:

- “Example 1 for /DISPLAY ASSIGNMENT Command” on page 288
- “Example 2 for /DISPLAY ASSIGNMENT Command” on page 293

The following information is displayed when this command is used:

**LINE PTERM**

The logical terminal names associated with the specified line and physical terminal.

**LINK** The physical link, SYSIDs, and logical link paths assigned to the specified logical link.

**LTERM**

The communication line and physical terminal or node and component associated with the specified logical terminal name. When using ISC or a dynamic terminal, the displayed output for a logical terminal assigned to the VTAM pool shows the assigned node, if any, and the user name. The LTERM parameter can be generic.

**MSNAME**

The physical link and logical link assigned to the specified logical link path.

**MSPLINK**

The type, address, and logical link associated with the specified physical link. For MSC with VTAM, MSPLINK also displays the maximum number of allowed sessions and VTAM node name.

**NODE** The logical terminal names associated with the specified node. When using ISC, the displayed output shows at least one line of information for each half-session of the node, shows whether the half-session is active, and shows whether LTERMs are assigned. If the half-session is active, the user identifier is displayed. If no LTERMs are assigned, NONE is indicated. The USER keyword is valid for ISC nodes and non-ISC nodes with signed-on users. The NODE parameter can be generic.

**SYSID** The physical link, logical link, and logical link path assignments associated with the specified system identification.

**USER** All the USER structures and USERIDs that match the parameter specified. These are the following:

- The USER field shows the USER structure name. N/A appears for all static USERIDs signed on to static nodes.
- The USERID field displays the RACF USERID that was used to sign on to the node. N/A appears if a USER structure is not associated with a node. In this case, the USER structure exists to hold status or has messages inserted to it. If no messages or status exist, the USER structure is deleted at the next checkpoint.
- The node name and logical terminal names are displayed if the user is allocated to a node or signed on to a node.

The USER parameter can be generic.

---

## **/DISPLAY CCTL**

/DISPLAY CCTL displays all coordinator controllers connected to DBCTL along with the pseudo-recovery token, recovery token, region ID, psbname, and status. Coordinator controllers that are attached to IMS show a status of ATTACHED.

**Restriction** The /DISPLAY CCTL command does not support the ODBA interface to IMS DB. Use the /DISPLAY UOR command for displaying status information about units of work for protected resources that are managed by RRS z/OS.

Examples of using the /DISPLAY CCTL command are shown in:

- “Example 1 for /DISPLAY CCTL Command” on page 293
- “Example 2 for /DISPLAY CCTL Command” on page 294
- “Example 3 for /DISPLAY CCTL Command” on page 294
- “Example 4 for /DISPLAY CCTL Command” on page 294
- “Example 5 for /DISPLAY CCTL Command” on page 294

The status of active threads can be any of the following:

**ACTIVE**

The region is available for scheduling an application program. ACTIVE displays all active threads.

**ACTIVE-DBCMD**

A /DBD or a /DBR command is in progress and waiting for the region to terminate before the /DBD or /DBR can complete.

**AVAILABLE**

Active threads are available. The region is available to schedule an application.

**TERM** The thread is terminating. The application program is being terminated.

**UNAVAIL**

Active threads are unavailable. An application is using the region, even though the application is not currently scheduled. This region is therefore not available to any other application.

**W-BLKMVR**

The thread is waiting for a block mover. An application control block cannot be loaded because the ACB block mover is busy.

**W-INTENT**

The thread is waiting for intent. The application program's intent for a database conflicts with the use of the database by a scheduled program.

**W-POOLSP**

The thread is waiting for pool space. A temporary shortage of DMB, PSB, or PSB work area pool space exists.

**W-SWITCH**

The thread is waiting for switch-over. The alternate system is tracing the active system.

INDOUBT displays all in-doubt threads. The status of all in-doubt threads is always displayed as INDOUBT.

## /DISPLAY CONVERSATION

| /DISPLAY CONVERSATION displays all BUSY and HELD conversations in the IMS  
 | system if no other keywords or parameters are specified. The command displays a  
 | 4-byte conversation ID. The conversation IDs are unique only for each user and  
 | terminal.

An example of using the /DISPLAY CONVERSATION command is shown in “Example for /DISPLAY CONVERSATION Command” on page 294

The following information is displayed when this command is used:

**BUSY** The conversations currently active for the system or active for a specific node, line and physical terminal, or user.

**HELD** The conversations currently held in the system or held from a specific node, line and physical terminal, or user.

When ISC is used with parallel sessions, one line of information for each session in a conversation is displayed. The user name is also displayed.

When the **NODE** keyword is used and the node is an ISC node, information for all applicable sessions of the parallel session node is displayed. For dynamic terminals, the conversations of the currently associated user are displayed. The **NODE** parameter can be generic.

When the **USER** keyword is specified, all conversations that apply to that user are displayed. The **USER** parameter can be generic. In an IMSplex, use of the **/DISPLAY CONVERSATION** command without a specific resource name will result in extensive accesses to the Resource Manager for global information, and its use should be carefully considered.

For an IMS conversational transaction issued from an LU 6.2 application program, **/DISPLAY CONVERSATION** shows the LU name and user ID (if available) of the LU 6.2 conversation along with the IMS conversation ID and status.

## **/DISPLAY CPLOG**

**/DISPLAY CPLOG** displays the value of the IMS execution parameter, **CPLOG**. **CPLOG** specifies the number of system log records between system-generated checkpoints.

## **/DISPLAY CQS**

**/DISPLAY CQS** displays information about the Common Queue Server (CQS), including the CQS job name, version number, and current status. Valid status conditions are **CONNECTED** and **DISCONNECTED**.

This command is only valid in a shared-queues environment.

An example of using the **/DISPLAY CQS** command is shown in “Example for **/DISPLAY CQS** Command” on page 296

## **/DISPLAY DATABASE**

**/DISPLAY DATABASE** displays the status of specified databases. If a specified database is a **DEDB**, the associated **DEDB** areas are also displayed.

The **/DISPLAY DATABASE** command can be used on **HALDBs**. For more information see Appendix H, “High Availability Large Database Commands,” on page 867

An example of using the **/DISPLAY DATABASE** command is shown in “Example 1 for **/DISPLAY DATABASE** Command” on page 296

The following information is displayed:

### **DATABASE**

Name of the database.

**TYPE** Type of database, which can be one of the following:

- **DL/I**

- DEDB
- MSNR (refers to MSDB non-related databases)
- MSRD (refers to MSDB related dynamic databases)
- MSRF (refers to MSDB related fixed databases)
- PHIDAM
- PHDAM
- PSINDEX
- PART
- blank (if the database status is NOTINIT)

**TOTAL SEQ DEPEND**

Total control intervals defined for sequential dependent space, which applies to areas associated with DEDBs. This column only appears if Fast Path is installed.

**UNUSED SEQ DEPEND**

Unused control intervals for sequential dependent space. This column only appears if Fast Path is installed.

**TOTAL DIRECT ADDRESS**

Total control intervals for independent overflow part of direct addressable space, which applies to areas associated with DEDBs. This column only appears if Fast Path is installed.

**UNUSED DIRECT ADDRESS**

Total unused control intervals for independent overflow part of a direct addressable space, which applies to areas associated with DEDBs. This column appears only if Fast Path is installed. This IOVF count is updated on a timed basis, with a default timer of 2 hours. To customize this IOVF counter timer, see the IOVFI parameter as described in *IMS Version 9: Installation Volume 2: System Definition and Tailoring*.

**ACC** Type of access to the database, which can be one of the following:

<b>RO</b>	Read only
<b>RD</b>	Read
<b>UP</b>	Update
<b>EX</b>	Exclusive

**CONDITIONS**

Status conditions of the database, which can be one or more of the following:

- ALLOCF
- ALLOCS
- BACKOUT
- EEQE
- INQONLY
- NOTINIT
- NOTOPEN
- OFR
- OLR
- RECALL
- RECOVERY



- RNL
- STOPPED
- LOCK

**Note:** The OFR parameter is only valid when issued from an RSR tracking subsystem.

“Attribute” is a reserved parameter. Attributes listed with Table 47 can be used with the DATABASE keyword. Databases are selected for display based on the attribute or attributes specified. For example, /DISPLAY DATABASE OFR will only display those databases that are currently being recovered by online forward recovery (OFR). The attribute display format is the same as the standard DATABASE display. Attributes usually correspond to the conditions displayed for databases.

3 **Restriction:** The OLR attribute cannot be entered with any other attribute.

*Table 47. /DISPLAY DATABASE Command Attributes*

ALLOCF	ALLOCS
BACKOUT	EEQE
INQONLY	LOCK
NOTINIT	NOTOPEN
OFR	OLR
RECALL	STOPPED

Attributes are reserved parameters for the /DISPLAY DATABASE command and cannot be used to name databases.

---

## **/DISPLAY DATABASE with BKERR**

/DISPLAY DATABASE with BKERR displays error queue elements associated with a DL/I database and displays incomplete backouts.

The output includes:

**DATABASE**

Name of the database with error queue elements or backout pending data.

**ERROR DD**

DDNAME of the data set with the error queue element

**TYPE** Type of error queue element, which is one of the following:

- |                 |                                  |
|-----------------|----------------------------------|
| <b>BACK PSB</b> | PSB needing backout              |
| <b>BLOCK</b>    | OSAM block number or VSAM CI RBA |
| <b>DATE</b>     | Date                             |
| <b>IDT</b>      | In-doubt                         |
| <b>IDT+WRT</b>  | In-doubt and write error         |
| <b>IDT+IOT</b>  | In-doubt and I/O toleration      |
| <b>IOT</b>      | I/O toleration                   |
| <b>IOT/VSO</b>  | I/O toleration for VSO areas     |
| <b>PRM</b>      | DBRC permanent                   |
| <b>RD</b>       | Read error                       |

<b>TIME</b>	Time
<b>USE</b>	DBRC user created
<b>WRT</b>	Write error

The EEQE information might not be current if the database is registered with DBRC and is not open, because IMS updates EEQE information from DBRC when the database is opened.

The /DIS DB command with BKERR does not display individual RBAs for I/O tolerated non-SDEP CIs of a DEDB area defined with the Virtual Storage Option (VSO). Instead, a single entry with a value of 00000001 is displayed; the EEQE type is set to IOT/VSO. I/O tolerated SDEP CIs for the area are displayed individually by RBA. See “Example 4 for /DISPLAY DATABASE Command” on page 297.

## **/DISPLAY DBD**

/DISPLAY DBD displays, for databases that are being accessed, their type, the PSBs accessing them, and the type of access. /DISPLAY DBD can be used only if Fast Path is installed.

An example of using /DISPLAY DBD is shown in “Example for /DISPLAY DBD Command” on page 299

## **/DISPLAY DESCRIPTOR**

/DISPLAY DESCRIPTOR displays LU 6.2 descriptors. All specified values are displayed, as are defaults/blanks for values not specified in the descriptor.

An example of using /DISPLAY DESCRIPTOR is shown in “Example for /DISPLAY DESCRIPTOR Command” on page 299

The output for /DISPLAY DESCRIPTOR is as follows:

**DESC** Name of the descriptor.

**LUNAME**

LU name value in the descriptor. The network-qualified LU name is optional for the LUNAME keyword.

**MODE** VTAM LOGON mode table entry value in the descriptor.

**SIDE** APPC z/OS side table entry value in the descriptor.

**SYNCLEVEL**

APPC synchronous level in the descriptor; either NONE or CONFIRM.

**TPNAME**

TP name value in the descriptor. If the tpname is too long, a + is appended at the end, and the rest is continued on a second line.

**TYPE** APPC conversation type value in the descriptor; it is either BASIC or MAPPED.

## **/DISPLAY FDR**

/DISPLAY FDR displays the current status for IMS Fast Database Recovery regions.

IMS rejects this command if the active IMS subsystem is not connected to a Fast Database Recovery region.

An example of using /DISPLAY FDR is shown in “Example for /DISPLAY FDR Command” on page 299

**FDR-REGION**

Status of the Fast Database Recovery region to which the IMS subsystem is connected. The status can be ACTIVE or NO\_ACTIVE.

**GROUPNAME**

The XCF group name specified in the DFSFDRxx member of IMS.PROCLIB.

**TIMEOUT**

The failure-detection timeout value specified in the DFSFDRxx member or set by a /CHANGE FDR command.

**/DISPLAY FPVIRTUAL**

/DISPLAY FPVIRTUAL displays the areas loaded into a z/OS data space or coupling facility. That is, those areas that have been specified with the virtual storage option (VSO) are displayed with this command.

Examples of using /DISPLAY FPVIRTUAL are shown in “Example for /DISPLAY FPVIRTUAL Command” on page 300

Each data space is displayed, along with each of the areas that reside in the data space. All numbers shown are in decimal values.

**DATASPACE**

Data space number.

**MAXSIZE(4K)**

Maximum available size, in 4 KB blocks. This is the amount of space available in the data space for user data.

**AREANAME**

Name of the area located in the data space or in the coupling facility.

**AREASIZE(4K)**

Actual storage available for a particular area, in 4KB blocks.

The actual space usage can be significantly less than what is reserved if a VSO dataspace is not preloaded.

**OPTION**

A data space option (which can be DREF) or an area option (which can be PREL or PRE0). Area options are defined to DBRC with the INIT.DBDS or CHANGE.DBDS command.

**STRUCTURE**

Name of the coupling facility structure allocated for this area.

**ENTRIES**

Number of area CIs in the structure.

**CHANGED**

Number of area CIs in the structure that have been updated. IMS writes these updated CIs to DASD (and resets this value) when you enter any of the following commands:

- /CHECKPOINT

- /STOP AREA
- /VUNLOAD

2  
2

**AREACI#**

Total number of area CIs that can be loaded into the structure.

**POOLNAME**

Name of the private buffer pool used by the area.

---

**/DISPLAY HSB**

/DISPLAY HSB displays the system-related information in an XRF environment. If the command is entered on the active system, information about the active system is displayed. If the command is entered on the alternate system, information about both systems is displayed.

An example of using the /DISPLAY HSB command is shown in “Example for /DISPLAY HSB Command” on page 301

The output for /DISPLAY HSB includes:

**RSENAME**

Recoverable service element name.

**STATUS**

System entering command (ACTIVE or BACKUP).

**MODETBL**

Indication of whether (IOT) or not (blank) the system is in I/O toleration mode. This field is displayed only if the command is entered on the active system.

**PHASE**

Displays only if the command is entered on the alternate system; indicates the phase of the alternate system. The following phases can be displayed:

<b>INIT</b>	Initialization phase
<b>SYN</b>	Processing SNAPQ checkpoint
<b>TRK</b>	Tracking active system
<b>TKO</b>	Taking over workload from active

**IMS-ID**

IMS identifier of system entering command.

**VTAM UVAR**

VTAM generic name.

**ACT-ID**

IMS identifier of active system; field is displayed only if the command is entered on the alternate system.

**LOG-TIME**

Time associated with the log record currently being read by the alternate system in the process of tracking the active system. The length of time the alternate system lags behind the active system in reading the log is the difference between the current time, as shown by the timestamp, and the log time. Some of this time difference might be due to differences in the synchronization of the clocks of the processors.

**SURVEILLANCE**

Indicates one of the following surveillance mechanisms:

- LNK** IMS ISC link
- LOG** IMS system log
- RDS** IMS restart data set

**INTERVAL**

The surveillance interval, in seconds, for the specific surveillance mechanism

**TIMEOUT**

The surveillance timeout value, in seconds, for the specific surveillance mechanism

**STATUS**

The status of the specific surveillance mechanism (ACTIVE or INACTIVE).

**TAKEOVER CONDITIONS**

The following takeover conditions may apply:

**ALARM**

The alarm on the alternate processor will be sounded when takeover is requested.

**AUTO** Automatic takeover is in effect.

Following the display line of ALARM, AUTO, or both, the takeover conditions specified on the SWITCH control statement of the DFSHSBxx PROCLIB member are shown. (xx is the SUF= parameter of the IMS procedure.) There are two groups per line and each group is separated by an asterisk. Each group can include one or more of the following:

- VTAM** VTAM TPEND exit
- LNK** IMS ISC link
- LOG** IMS system log
- RDS** IMS restart data set

**/DISPLAY HSSP**

/DISPLAY HSSP displays information about the current HSSP (high-speed sequential processing) activities.

An example of using the /DISPLAY HSSP command is shown in "Example for /DISPLAY HSSP Command" on page 302

The output for /DISPLAY HSSP includes:

- RGN** Region ID as displayed in the /DISPLAY ACTIVE command (three digit PST number)
- TYP** Region type (BMP only)
- JOBNAME**  
Job name
- PSB** Program Specification Block name

**DB** Database name

### AREAS-OPTIONS

Information on the SETO statement:

**AREA** Area name

**PCB** Information on whether the named area has updated intent.

### PROCOPT

Whether PROCOPT H is specified.

**IC** Image Copy in process.

**UPD** Information on whether the area is updated, which is one of the following:

**N** The PCB has no update intent on the named area.

**Y** The PCB has update intent on the named area.

### OPTION

Information on the execution

**IC** Image Copy in process

---

## /DISPLAY LINE

/DISPLAY LINE, when followed by a valid line number or ALL, displays the status and queue counts for the specified communication line or line and physical terminal. The queue count for /DISPLAY LINE is reset to zero after an IMS cold start.

Lines are selected for display based on the attributes specified. Attributes that can be used with the LINE keyword are shown in Table 48. The attribute display format is the same as the standard LINE display. The attributes correspond to the conditions displayed for lines. For example, /DISPLAY LINE LOOPTEST displays all lines that are currently in looptest mode.

*Table 48. /DISPLAY LINE Command Attributes*

DEACT	NOQUEUE	RESPINP
IDLE	NOTOPEN	STOPPED
LOOPTEST	PSTOPPED	TKOTRA
NOIN	PUR	TRA
NOOUT	RESP	

An example of using the /DISPLAY LINE command is shown in “Example for /DISPLAY LINE Command” on page 302

### QCNT

Specifies that global queue count information is to be displayed. If QCNT is not specified, local queue counts are displayed; when it is specified, no local queue counts are displayed.

This keyword is only valid in a shared-queues environment.

---

## /DISPLAY LINK

/DISPLAY LINK, when followed by a valid link number or ALL, displays the status and queue counts for the specified logical link. The queue count for /DISPLAY LINK is reset to zero after an IMS cold start.

In addition, /DISPLAY LINK shows if the logical link is assigned to a physical link and the partner identification that is assigned to it during system definition.

The /DISPLAY LINK link# MODE command, when entered from the primary IMS system, displays in the ACT MODETBL field the mode table name from the /RESTART command or LOGON exit. The same field does not display on the secondary IMS system.

**Note:** N/A is displayed by /DISPLAY LINK ALL MODE for non-VTAM MSC links.

Examples for using the /DISPLAY LINK command are shown in:

- “Example 1 for /DISPLAY LINK Command” on page 303
- “Example 2 for /DISPLAY LINK Command” on page 303

**MODE** Displays the mode table names associated with the links specified. The output includes:

**LINK** Logical link number.

**PARTNER**

The identification specified during IMS system definition for this multiple system partnership.

**DEF MODETBL**

Default mode table name set by system definition or /CHANGE command. This name can be overridden with the /RSTART command or, for non-IMS session initiations, the LOGON exit.

**ACT MODETBL**

Mode table name actually used to initiate the session. This name is only displayed while the session is active. The field is blank at normal session termination.

**QCNT**

Specifies that global queue count information is to be displayed. If QCNT is not specified, local queue counts are displayed; when it is specified, no local queue counts are displayed.

This keyword is only valid in a shared-queues environment.

---

## **/DISPLAY LTERM**

/DISPLAY LTERM displays status and queue counts for the specified logical terminal name. The status displayed can be one of the following:

- LOCK
- PSTOP
- PUR
- QERR
- QLOCK
- STATIC
- STOP

The LTERM parameter can be generic where the generic parameter specifies lterms that already exist.

/DISPLAY LTERM ALL does not display lterms in alphabetical order.

Examples of using the /DISPLAY LTERM command are shown in:

- “Example 1 for /DISPLAY LTERM Command” on page 304
- “Example 2 for /DISPLAY LTERM Command” on page 304

**EMHQ**

Specifies that global queue count information on the Expedited Message Handler Queues (EMHQ) displays when both EMHQ and QCNT are specified. If EMHQ is specified, QCNT must also be specified. This keyword is only valid in a shared-queues environment.

**QCNT**

Specifies that global queue count information displays. If QCNT is not specified, local queue counts are displayed; when it is specified, no local queue counts are displayed. If QCNT is specified and EMHQ is not, global queue count information on the shared message queues (MSGQ) displays.

IMS does not check if the specified name is a valid LTERM in the IMS subsystem on which the command is entered.

The /DISPLAY LTERM ALL QCNT command displays all of the LTERMs on the shared queues with a global queue count.

This command does not display queue counts for Fast Path output messages for the NODE unless EMHQ and QCNT are specified.

This keyword is only valid in a shared-queues environment.

For IMS subsystems in a shared-queues environment with the time control option, TCO, enabled, AFFINITY has been added to the queue names of TCO LTERMs. When the /DISPLAY LTERM DFSTCFI QCNT command is issued, the queue count of messages for the DFSTCFI LTERM pertains to the TCO LTERM on the local IMS subsystem. The queue count is zero prior to adding AFFINITY to the queue names.

In a shared queues environment, there are certain situations that cause an LTERM message to be retrieved from the global queue and moved to the local queue, but the message has not been delivered. If this occurs, the global queue count is zero and you need to display the local queue to see the output message.

---

**/DISPLAY LUNAME**

/DISPLAY LUNAME displays information about a specific LU 6.2 application program. After restart and any checkpoint, only LU 6.2 resources with status or messages queued are displayed.

**QCNT**

Specifies that global queue count information displays. Local queue counts do not display. If QCNT is not specified, local queue counts display.

This keyword is only valid in a shared-queues environment.

**/DISPLAY LUNAME INPUT**

/DISPLAY LUNAME INPUT displays the count of LU 6.2 inbound conversations and synchronous outbound activities for the specified LU names and their status. The status displayed can be none, stopped (STO), traced (TRA), or both stopped and traced.



`/DISPLAY LUNAME INPUT` can indicate that a command such as `/STO LUNAME ALL INPUT` or `/TRACE SET ON LUNAME ALL INPUT` was entered before the display that applies to all future LU 6.2 inbound conversations. The `/DISPLAY LUNAME INPUT` command includes:

**LUNAME**

LU name of the LU 6.2 application program

**#APPC-CONV**

The number of LU 6.2 inbound conversations

Status can be stopped (STO), traced (TRA), or stopped and traced.

**/DISPLAY LUNAME OUTPUT**

`/DISPLAY LUNAME OUTPUT` displays the count of asynchronous output messages that are being enqueued and dequeued for the LU name and the count of LU 6.2 asynchronous outbound conversations for that LU name.

`/DISPLAY LUNAME OUTPUT` can indicate that a command such as `/STO LUNAME ALL OUTPUT` or `/TRACE SET ON LUNAME ALL OUTPUT` was entered that applies to all future LU 6.2 outbound conversations. The status displayed can be none, stopped (STO), traced (TRA), or both stopped and traced. `/DISPLAY LUNAME OUTPUT` includes:

**LUNAME**

LU name of the LU 6.2 application program.

**ENQCT**

Total number of messages enqueued on this LU name. In a shared-queues environment, only shows messages enqueued for the local subsystem.

**DEQCT**

Total number of messages dequeued from this LU name. In a shared-queues environment, only shows messages dequeued for the local subsystem.

**QCT**

Total number of messages still in the queue. In a shared-queues environment, only shows messages enqueued for the local subsystem.

**CONVCT**

Number of LU 6.2 asynchronous outbound conversations.

Status can be stopped (STO), traced (TRA), or stopped and traced.

**/DISPLAY LUNAME TPNAME**

`/DISPLAY LUNAME TPNAME` displays the number of asynchronous output messages being enqueued and dequeued and their status. The status displayed can be none, stopped (STO), traced (TRA), or both stopped and traced.

If the LU name includes a network identifier, you must specify the network-qualified LU name when using the `TPNAME` keyword. A network-qualified LU name refers to a different resource than a non-qualified LU name.

`/DISPLAY LUNAME TPNAME` includes the following:

**LUNAME TPNAME**

LU name and TP name of the LU 6.2 program. The first line displays the LU name and the second line displays the TP name, which is preceded by a dash. If the TP name is too long, a + sign is appended at the end, and the remainder is continued on the next line.

**ENQCT**

The total number of messages enqueued to this particular LU 6.2 application program. In a shared-queues environment, only shows messages enqueued for the local subsystem. If the ENQCT and DEQCT are the same and there are no messages enqueued or dequeued from that point on, these counts will be set to zero after restart or takeover.

**DEQCT**

The total number of messages dequeued from this particular LU 6.2 application program. In a shared-queues environment, only shows messages dequeued for the local subsystem. If the ENQCT and DEQCT are the same and there are no messages enqueued or dequeued from that point on, these counts will be set to zero after restart or takeover.

**QCT**

The total number of messages still in the queue. Status of stopped (STO), traced (TRA), or stopped and traced. In a shared-queues environment, only shows messages enqueued for the local subsystem.

---

**/DISPLAY MASTER**

`/DISPLAY MASTER` displays the logical terminal name and the line and physical terminal number associated with the master terminal.

If the 3270 master terminal capability was generated during IMS system definition, the logical terminal name, line, and physical terminal number of the secondary master terminal are also displayed.

MASTER is not valid for use in a DBCTL environment.

An example of using the `/DISPLAY MASTER` command is shown in "Example for `/DISPLAY MASTER` Command" on page 307.

---

**/DISPLAY MODIFY**

The `/DISPLAY MODIFY` command displays online change status for this IMS, which is participating in a local or global online change:

- Online change libraries
- Work in progress for resources to be deleted or changed by a `/MODIFY COMMIT` or a `INITIATE OLC PHASE(PREPARE)` command
- Resources to be added, changed, and deleted by a `/MODIFY COMMIT` or an `INITIATE OLC PHASE(COMMIT)` command

The status displayed for each library is displayed as A for active or I for inactive, and is followed by the DD names and databases that make up the library. Status information displays for the following libraries:

- IMSACBA and IMSACBB
- FORMATA and FORMATB
- MODBLKSA and MODBLKSB
- MATRIXA and MATRIXB

Work in progress for resources to be deleted or changed causes the `/MODIFY COMMIT` command to fail. You must wait for the work in progress to complete, or force it to complete (for example, by issuing a command), before issuing `/MODIFY COMMIT`. Table 49 on page 235 lists the resource type, resource name, and the status displays for work in progress that would prevent the `/MODIFY COMMIT`

command from completing successfully:

*Table 49. Work in Progress For Resources that Prevent a Successful /MODIFY COMMIT*

Resource Type	Resource Name	Status
DATABASE	dbname	AREAS OPEN: /DBD ACTIVE /DBR ACTIVE /DBR OR /STOP IN PROGRESS DATABASE IN USE DBR NEEDED FOR PARTITION nnnn PSB SCHEDULED RANDOMIZER: rndmname RECOVERY IN PROGRESS
AREA	areaname	OPEN RECOVERY IN PROGRESS
PROGRAM	pgmname	SCHEDULED QUEUING nn GLOBAL QUEUE COUNT INTERNAL ERROR GLOBAL QUEUE COUNT STORAGE ERROR
RTCODE	rtcode	ACTIVE
TRAN	trancode	IN USE QUEUING nn SCHEDULED SUSPENDED CONVERSATION TERM/USER nodename ID= nnnn nodename username ID= nnnn username ID= nnnn lin#-pte# ID= nnnn 1- SC ID= nnnn GLOBAL QUEUE COUNT INTERNAL ERROR GLOBAL QUEUE COUNT STORAGE ERROR

In a shared-queues environment, /DISPLAY MODIFY only shows local work in progress, except for the TRAN QUEUING status and the PROGRAM QUEUING status, for which this command shows the sum of local and global queue counts. That is, /DISPLAY MODIFY does not show whether there is work in progress for other IMS subsystems sharing the message queues. If the /DISPLAY MODIFY command shows no work in progress for the IMS subsystem which the command was issued, a /MODIFY COMMIT command can be issued for that IMS subsystem.

If IMS cannot access the global queue counts, IMS displays the GLOBAL QUEUE COUNT INTERNAL ERROR status. If IMS cannot obtain sufficient storage to query global queue counts, IMS displays the GLOBAL QUEUE COUNT STORAGE ERROR status. In either case, online change will fail if there are global queue counts for resources being changed or deleted.

Table 50 lists the parameters that can be used with the /DISPLAY MODIFY command in a DBCTL environment.

*Table 50. Parameters Supported in a DBCTL Environment*

ADDS	DBS	MODS
ALL	DELS	PDS
CHNGS	DMS	PSS

Table 51 lists the parameters that can be used with the /DISPLAY MODIFY command in a DCCTL environment.

Table 51. Parameters Supported in a DCCTL Environment

ADDS	FMS	RCS
ALL	MODS	TRS
CHNGS	PDS	
DELS	PSS	

Examples of using the /DISPLAY MODIFY command are shown in “Example 1 for /DISPLAY MODIFY Command” on page 307.

/DISPLAY MODIFY with one or more parameters (not including ALL) is only valid if IMS is in the MODIFY PREPARE state, which means that a /MODIFY PREPARE or an INITIATE OLC PHASE(PREPARE) command completed successfully. The /DISPLAY MODIFY parameters and the information displayed are:

**<blanks>**

Displays status of online change libraries.

**ADDS** Displays the resources to be added by online change. Each display line contains a resource type, resource name, and a status of ADDED. The resource type can be: DATABASE, DMB, FORMAT, PROGRAM, PSB, RT CODE, or TRAN.

**ALL** Displays the status of online change libraries and any work in progress for database, program, routing code, or transaction resources to be deleted or changed by the /MODIFY COMMIT or the INITIATE OLC PHASE(COMMIT) command.

For DBCTL, transactions do not apply. For DCCTL, databases do not apply.

**CHNGS**

Displays the resources to be changed by online change. Each display line contains a resource type, resource name, and a status of CHANGED. Resource type can be: DATABASE, DMB, FORMAT, PROGRAM, PSB, RT CODE, or TRAN.

**DBS** Displays the databases to be changed or deleted with work in progress that would prevent /MODIFY COMMIT from succeeding. If DBS is specified with the ADDS, CHNGS, DELS, or MODS parameters, the databases in MODBLKS to be added, changed, or deleted display. Each display line contains a resource type of DATABASE, the database name, and a status of ADDED, CHANGED, or DELETED.

**DELS** Displays the resources to be deleted by online change. Each display line contains a resource type, resource name, and a status of DELETED. The resource type can be: DATABASE, DMB, FORMAT, PROGRAM, PSB, RT CODE, or TRAN.

**DMS**

If DMS is specified with the ADDS, CHNGS, DELS, or MODS parameters, the DMBs in ACBLIB to be added, changed, or deleted display as ADDED, CHANGED, or DELETED.

If the status of the associated database in MODBLKS is ADDED, DMS displays a DMB as ADDED. If the status of the associated database in MODBLKS is DELETED, DMS displays a DMB as DELETED.

**FMS** If FMS is specified with the ADDS, CHNGS, DELS, or MODS parameters,

the MFS formats to be added, changed, or deleted in FMTLIB display. Each display line contains a resource type of FORMAT, the format name, and a status of ADDED, CHANGED, or DELETED.

**MODS** Displays the resource to be modified by online change, which are resources to be added, changed, and deleted. Each display line contains the resource type, resource name, and a status of ADDED, CHANGED, or DELETED. The resource type can be: DATABASE, DMB, FORMAT, PROGRAM, PSB, RT CODE, or TRAN.

/DISPLAY MODIFY MODS shows all of the resources to be added, changed, or deleted by /MODIFY COMMIT, which is equivalent to the output from /MODIFY PREPARE with the LTERM keyword specified.

**PDS** Displays the programs to be changed or deleted in MODBLKS with work in progress that would prevent a /MODIFY COMMIT or an INITIATE OLC PHASE(COMMIT) command from succeeding. If PDS is specified with the ADDS, CHNGS, DELS, or MODS parameters, the programs in MODBLKS to be added, changed, or deleted display. Each display line contains a resource type of PROGRAM, the program name, and a status of ADDED, CHANGED, or DELETED.

**PSS**

If PSS is specified with the ADDS, CHNGS, DELS, or MODS parameters, the PSBs in ACBLIB to be added, changed, or deleted display as ADDED, CHANGED, or DELETED.

If the status of the associated program in MODBLKS is ADDED, PSS displays a PSB as ADDED. If the status of the associated program in MODBLKS is DELETED, PSS displays a PSB as DELETED.

**RCS** Displays the routing codes to be changed or deleted in MODBLKS with work in progress that would prevent a /MODIFY COMMIT or an INITIATE OLC PHASE(COMMIT) command from succeeding. If RCS is specified with the ADDS, CHNGS, DELS, or MODS parameters, RTCODEs in MODBLKS to be added, changed, or deleted display.

**TRS** Displays the transactions to be changed or deleted in MODBLKS with work in progress that would prevent a /MODIFY COMMIT or an INITIATE OLC PHASE(COMMIT) command from succeeding. If TRS is specified with the ADDS, CHNGS, DELS, or MODS parameters, transactions in MODBLKS to be added, changed, or deleted display.

/DISPLAY MODIFY displays these status terms:

**AREAS OPEN:**

A DEDB database has open areas. One or more lines listing the open areas follow this line.

**/DBD ACTIVE**

A /DBDUMP command is in progress for a database to be changed or deleted.

**/DBR ACTIVE**

A /DBRECOVERY command is in progress for a database to be changed or deleted.

**/DBR OR /STOP IN PROGRESS**

A /DBRECOVERY command or /STOP command is in progress for a DEDB database.

**DATABASE IN USE**

The database is in use by one or more active regions referencing the database.

**DBR NEEDED FOR PARTITION**

A /DBRECOVERY command must be issued for the DB partition before the database can be changed or deleted by online change

**PSB SCHEDULED**

A program referencing a database to be changed or deleted is scheduled.

**Q STRUCTURE IS UNAVAILABLE**

The queue structure is unavailable. IMS is unable to check the global queue count for transactions to be added, changed, or deleted. Commit is not permitted to proceed. The structure may be unavailable for one of the following reasons:

- CQS is unavailable
- The MSGQ structure failed and it hasn't been rebuilt yet
- CQS lost connectivity to the MSGQ structure

**SCHEDULED**

The named resource (a transaction or program to be changed or deleted, or a program referencing a database to be changed or deleted) is scheduled.

**RECOVERY IN PROGRESS**

A /RECOVER START command is in progress to recover one or more databases with the database recovery service.

**RANDOMIZER: rndmname**

A DEDB database that has no work in progress lists the randomizer name (rndmname). The randomizer display lines are information only, not work in progress that would prevent online change commit from succeeding.

This line is followed by a line with the randomizer name and status of LOADED or NOT LOADED.

If the randomizer is shared by one or more DEDBs, another line is displayed with 'DEDBS SHARING RANDOMIZER:' followed by the randomizer name. Online change won't delete a randomizer that is shared by other DEDBs. This line is followed by one line for each DEDB sharing the same randomizer.

**ACTIVE**

The routing code rcode is active.

**IN USE**

Queuing is in progress for this transaction (either terminal input or program-to-program switch).

**QUEUING nn**

Messages are queued to the transaction or program; nn is the number of messages queued. Global queue counts represent the number of messages on the coupling facility list structure for the transaction or program.

**SUSPENDED**

The transaction to be changed or deleted is on the suspend queue.

**CONVERSATION TERM/USER**

The transaction to be changed or deleted or the transaction referencing a program or database to be changed or deleted is in conversation. The terminal originating the conversational transaction and the conversation ID are also displayed.

The terminal information displayed is:

- nodename for VTAM terminals
- nodename and username if an ETO user is signed on to the node
- username for ETO users that signed off while in conversation
- lin#-pte# (line and pterm number) for BTAM terminals
- 1-SC for the system console

---

## **/DISPLAY MSNAME**

`/DISPLAY MSNAME` displays the queue counts for the specified logical link path. Generic parameters are supported for the `MSNAME` keyword.

An example of using the `/DISPLAY MSNAME` command is shown in “`/DISPLAY MSNAME`.”

### **QCNT**

Specifies that global queue count information is to be displayed. If `QCNT` is not specified, local queue counts are displayed; when it is specified, no local queue counts are displayed.

This keyword is only valid in a shared-queues environment.

---

## **/DISPLAY NODE**

`/DISPLAY NODE`, when followed by a valid node name or `ALL`, displays status, queue counts, and number of messages sent to and received from the specified node. When using `ISC`, the output for a parallel-session node shows one line of information for each session of the node whether the node is active or not and whether logical terminals are assigned or not. If a session is active, the user identifier (preceded by a dash) and the status and queue counts are displayed on a subsequent line. `/DISPLAY NODE` displays queue counts up to a maximum of 32 KB. The queue count for `/DISPLAY NODE` is reset to zero when sessions are not active, or when a signed-on user issues `/SIGN OFF`.

The `USER` keyword is valid for `ISC` nodes with users or dynamic nodes with signed on users. The `NODE` parameter can be generic where the `USER` keyword is not present. The generic parameter specifies nodes that already exist. A status of `STATIC` is displayed for nodes defined to IMS via system definition. `STATIC` is also supported as an attribute parameter. Static nodes are used with the `/DISPLAY NODE` command in the same way that dynamic nodes are used.

`/DISPLAY NODE` shows signed on users, where the user ID follows the status `SIGN` in parentheses.

Examples of using the `/DISPLAY NODE` command are shown in

- “Example 1 for `/DISPLAY NODE` Command” on page 311
- “Example 2 for `/DISPLAY NODE` Command” on page 312
- “Example 3 for `/DISPLAY NODE` Command” on page 313
- “Example 4 for `/DISPLAY NODE` Command” on page 314
- “Example 5 for `/DISPLAY NODE` Command” on page 315
- “Example 6 for `/DISPLAY NODE` Command” on page 315
- “Example 7 for `/DISPLAY NODE RECOVERY` Command” on page 315



**MODE** The MODE keyword allows you to display the mode table names associated with the nodes specified. The output includes:

**NODE-USR**

node name and user identifier

**TYPE** type of node

**DEF MODETBL**

default mode table name set via system definition or logon descriptor or /CHANGE command. This name can be overridden using the /OPNDST command or the LOGON exit for non-IMS session initiations.

**ACT MODETBL**

mode table name actually used to initiate the session. This name is only displayed while the session is active. The field is blank at normal session termination.

**EMHQ**

Specifies that global queue count information on the Expedited Message Handler Queues (EMHQ) displays when both EMHQ and QCNT are specified. If EMHQ is specified, QCNT must also be specified. This keyword is only valid in a shared-queues environment.

**QCNT**

Specifies that global queue count information displays. If QCNT is not specified, local queue counts are displayed; when it is specified, no local queue counts are displayed. If QCNT is specified and EMHQ is not, global queue count information on the shared message queues (MSGQ) displays.

IMS does not check if the specified name is a valid LTERM in the IMS subsystem on which the command is entered.

This command does not display queue counts for Fast Path output messages for the NODE unless EMHQ and QCNT are specified.

This keyword is only valid in a shared-queues environment.

**RECOVERY**

The /DISPLAY NODE|USER RECOVERY command can be used to display the recovery values that pertain to the node or user. The recovery values may be displayed from the local control blocks, if available, or from values saved for the node or user in the Resource Manager, if resource information is being kept in Resource Manager, and the node or user is defined to have its status kept in Resource Manager. The recovery information that will be displayed with this command are:

- IMS owner
 

The IMS ID (RSEname if an XRF system) of the IMS system that currently owns this resource. If the resource is not currently owned, this field will be displayed as NONE.
- Status Recovery Mode (SRM)
 

The scope of recovery for a resource, and from where the end-user significant status is maintained and recovered.
- End-user significant status
 

The following status are end-user significant status for nodes and users.

  - Conversation
  - STSN
  - Fast Path



These are statuses that frequently change for a resource, and thus there are performance considerations related to maintaining end-user significant status. The installation can tell IMS how to recover end-user significant status by specifying the level of recovery for each status. Shown for each resource is the level of recovery for each end-user significant status.

N/A is displayed by /DISPLAY NODE ALL MODE for VTAM 3270 nodes.

“Attribute” is a reserved parameter. Attributes listed in Table 46 on page 220 can be used with the NODE keyword. Nodes are selected for display based on the attribute or attributes specified. The attribute display format is the same as the standard NODE display. Attributes usually correspond to the conditions displayed for nodes. Any exceptions are flagged in the following list.

The attributes are reserved parameters for the /DISPLAY NODE command and cannot be used to name nodes.

The attributes that can be specified with the NODE keyword are listed in below. For example, /DISPLAY NODE TRACE displays all nodes that are currently being traced. Following is a list of the attributes that can be specified with the NODE keyword:

- ACTIV
- AUTOSR (Corresponds to the NODE conditions ASR)
- BCKUP
- CLSDST
- CON
- CONVACT (Corresponds to the NODE condition CONV-ACT)
- CONVHLD (Corresponds to the NODE condition CONV-HLD)
- C1INOP
- C2INOP
- C3INOP
- C4INOP
- DEACT
- EXCL
- FORCES (Corresponds to the NODE condition FORCE)
- IDLE
- INOP
- LOCK
- LOST
- MFST
- OPNDST
- PAGE
- PRI
- PRST
- QUI
- RECOVER
- RELREQ
- RESP
- RESPINP
- RESYNC

- SEC
- SHUT
- SIGN
- SIMLOGON
- STATIC
- STOPPED
- TEST
- TKOTRA
- TRA

Explanations of the attributes can be found in Appendix G, "Status and Attributes for the /DISPLAY Command," on page 855.

---

## **/DISPLAY OASN SUBSYS**

The /DISPLAY OASN SUBSYS command displays the outstanding recovery units (Origin Application Schedule Numbers) associated with the external subsystem (not CCTL subsystem) specified by the SUBSYS keyword.

The OASN is assigned by IMS when it schedules an application into a dependent region. The OASN, coupled with the IMS ID, becomes the recovery token for units of work distributed to other subsystems.

An example of using the /DISPLAY OASN SUBSYS command is shown in "Example for /DISPLAY OASN Command" on page 316.

---

## **/DISPLAY OLDS**

/DISPLAY OLDS displays the system logging status. The ddnames for the online log data sets that are currently online are listed in the sequence used. That is, the one currently being used is listed first, with the one most recently used listed next, and so on. OLDS status information is displayed with each ddname. The meanings of these status messages are given below. In the case of dual logging, two lines of status output are displayed per OLDS ID; the first for the primary OLDS and the second for the secondary OLDS.

/DISPLAY OLDS shows the percentage of the OLDS used (shown under % FULL in the output) and the rate at which it is being filled (shown under RATE in the output). The RATE is the average number of blocks written to the current OLDS since the last /DISPLAY OLDS was issued. If no blocks were written, the RATE is 0, or, if elapsed time is 0, the previous RATE will be displayed.

An example of using the /DISPLAY OLDS command is shown in "Example for /DISPLAY OLDS Command" on page 316.

/DISPLAY OLDS shows one of the following as the archive status of each OLDS:

### **NEEDED**

This OLDS needs to be archived. It cannot be reused for output logging until it has been archived.

### **SCHEDULED**

An archive job has been generated for this OLDS.

**STARTED**

A job to archive this OLDS has started execution.

**AVAILABLE**

Either this OLDS is empty or it has been archived. It can be reused for output logging.

When the archive status of an OLDS is scheduled or started and DBRC has generated the JCL for the archive job, the archive job name will be included in the output.

/DISPLAY OLDS also shows the following status information for OLDS:

- IN USE** This is the current output log OLDS. The display line for this OLDS also has an asterisk (\*) in the left margin.
- STOPPED** /STOP command entered for this OLDS or the OLDS is being internally stopped because of write errors.
- WRT-ERR** A write I/O error occurred on this OLDS data set.
- CLSE** An error occurred when closing this data set. The Log Recovery utility can be used to correct this condition.
- PREV CLSER** The previous OLDS could not be closed because of an I/O error and this OLDS is required by the Log Recovery utility to correct the condition.
- NOT USABLE** This data set is not being used for logging. When operating in "Degraded Dual" state, the other data set in this OLDS pair was used for output but this data set was not used because of a previous data set error.
- BACKOUT** This OLDS is potentially required for backout.
- When the backout of at least one dependent region would require an SLDS because all of its log records are not available from OLDS, the following line will be inserted in front of SLDSREAD ON or SLDSREAD OFF in the OLDS STATUS display:
- SLDS REQUIRED FOR BACKOUT - RGN nnnnn
- The value nnnnn is the region number of the application that would require the oldest record for backout. An OLDS that is stopped or had an I/O error will be dynamically deallocated after it is no longer needed for backout.

Following the detailed OLDS data set information, the dual OLDS state (DUAL, DEGRADED DUAL, NONDEGRADABLE DUAL or SINGLE) and the WADS recording state (DUAL, SINGLE, or NO) display. Also, the DDNAMEs of all available WADS display. The DDNAMEs of the current WADS are preceded by an asterisk (\*).

SLDSREAD ON or OFF is also displayed. If SLDSREAD is on it indicates that IMS is enabled to retrieve both SLDS and OLDS.

**Restriction:** Under the dual logging environment, the number of primary OLDS and secondary OLDS must be the same; otherwise, the status of the OLDS is incorrect.

The following parameters, when used with the /DISPLAY OLDS command, specify selection criteria used to select which OLDS are to be included in the display output. All these parameters are optional. If none are specified, ALL is the default action. When multiple parameters are specified, an OLDS satisfying any one of the specified criteria is included in the output.

**ALL** Display status of each online OLDS.

**INUSE**

Display current output OLDS.

**BACKOUT**

Display OLDS containing dynamic backout data for currently active PSTs.

**ERROR**

Display OLDS that have encountered error conditions.

**STOPPED**

Display stopped OLDS.

---

**/DISPLAY OTMA**

/DISPLAY OTMA displays the current status for IMS Open Transaction Manager Access (OTMA) clients and servers. This command displays the following:

- Each member in each XCF group  
The server is always the first member displayed.
- The XCF status for each member  
The status can be one of the following:
  - ACTIVE
  - CREATED
  - FAILED
  - NOT DEFINED
  - QUIESCED
  - UNKNOWN

If the server leaves the XCF group (for example, because of a /STOP OTMA command), then the XCF status is displayed as NOT DEFINED.

- The user status for each member  
The status can be one of the following:
  - ACCEPT TRAFFIC
  - DISCONNECTED
  - IN SLOWDOWN
  - SERVER
  - WAIT BID
  - WAIT RESPONSE
- The security status for each server  
The security status can be one of the following:
  - NONE
  - CHECK
  - FULL
  - PROFILE

See Chapter 53, “/SECURE,” on page 583 for more information on the security status.

This command is functionally equivalent to the `/DISPLAY TMEMBER ALL` command.

Examples of using the `/DISPLAY OTMA` command are shown in:

- “Example 1 for `/DISPLAY OTMA` Command” on page 316
- “Example 2 for `/DISPLAY OTMA` Command” on page 316

---

## **/DISPLAY OVERFLOWQ**

`/DISPLAY OVERFLOWQ` displays a list of queue names that are in overflow mode for those coupling facility list structures specified (for the `STRUCTURE` keyword) that are in overflow mode. It also displays the queue type of the resource for each queue. If a specified structure is not defined, the overflow structure name is displayed as `NOT-DEFINED`.

Queue names displayed might not be defined to the IMS subsystem on which this command is issued. If a queue type is not defined, the type is displayed as `UNKNOWN`, and the queue name is displayed as the 16-byte queue name (with the queue type as the first byte).

This command is only valid in a shared-queues environment.

### **STRUCTURE**

Specifies the primary coupling facility list structures to be displayed.

This command displays the following information:

<b>APPC</b>	The resource type on the overflow structure is an APPC outbound queue. The first eight bytes of the resource name displayed is the unique constant <code>TMSTMP-</code> . The next four bytes are the IMS ID of the IMS subsystem that has the <code>LUNAME</code> and <code>TPNAME</code> defined. If you issue the <code>/DISPLAY OVERFLOWQ</code> command on the system on which the <code>LUNAME</code> and <code>TPNAME</code> are defined, then the <code>LUNAME</code> and <code>TPNAME</code> also display.  When <code>LUNAME</code> and <code>TPNAME</code> cannot be located on the system on which they're defined, <code>UNKNOWN</code> appears under the <code>LUNAME</code> and <code>TPNAME</code> headings in the display output.
<b>BALGRP</b>	The resource type on the overflow structure is a Fast Path PSB name. The resource name displayed is the Fast Path PSB name.
<b>LTERM</b>	The resource type on the overflow structure is an LTERM. The resource name displayed is the LTERM name.
<b>OTMA</b>	The resource type on the overflow structure is an OTMA outbound queue. The first eight bytes of the resource name displayed is the unique constant <code>TMSTMP-</code> . The next four bytes are the IMS ID of the IMS subsystem that has the <code>TMEMBER</code> and <code>TPIPE</code> defined. If you issue the <code>/DISPLAY OVERFLOWQ</code> command on the system on which the <code>TMEMBER</code> and <code>TPIPE</code> are defined, then the <code>TMEMBER</code> and <code>TPIPE</code> are also displayed.  When <code>LUNAME</code> and <code>TPNAME</code> cannot be located on the system on which they're defined, <code>UNKNOWN</code> appears under the <code>LUNAME</code> and <code>TPNAME</code> headings in the display output.
<b>REMOTE</b>	The resource type on the overflow structure is a remote LTERM,

remote transaction, or an MSNAME. The resource name displayed is the remote LTERM name, remote transaction name, or the msname.

**SUSPENDTRAN**

The resource type on the overflow queue is a suspended transaction and the messages are on the suspend queue. The resource name displayed is the transaction name. If the transaction that is suspended is a serial transaction, or if local affinity has been set for a non-serial transaction, the first eight bytes displayed are the transaction name and the last seven bytes represent the IMS ID of the subsystem that enqueued the message.

**SERIALTRAN**

The resource type on the overflow queue is a serial transaction. The first eight bytes of the resource name are the transaction name and the last seven bytes represent the IMS ID of the IMS subsystem that inserted the message for the transaction.

**TRANSACTION**

The resource type on the overflow queue is a transaction. The resource name displayed is the transaction name. If local affinity has been set for the transaction, the first eight bytes displayed are the transaction name and the last seven bytes represent the IMS ID of the IMS subsystem that enqueued the message.

**UNKNOWN**

The resource type of the resource on the overflow queue is not known to this IMS subsystem. The 16 byte resource name is displayed.

An example of using the `/DISPLAY OVERFLOWQ` command is shown in “Example for `/DISPLAY OVERFLOWQ` Command” on page 316.

---

**/DISPLAY POOL**

`/DISPLAY POOL` displays processor storage utilization statistics for the various IMS storage pools.

When the `/DISPLAY POOL` command is issued from a specific environment (such as DBCTL), only the information that is valid for that environment is displayed.

Certain storage utilization statistics can be obtained with the DL/I STAT call.

Control block table (CBT) pools are defined in DFSCBT00 and are grouped into classes for the purposes of the `/DISPLAY POOL` command. All CBT pools are valid in all environments.

Examples of using the `/DISPLAY POOL` command are shown in:

- “Example 1 for `/DISPLAY POOL` Command” on page 317
- “Example 2 for `/DISPLAY POOL` Command” on page 320
- “Example 3 for `/DISPLAY POOL` Command” on page 320
- “Example 4 for `/DISPLAY POOL` Command” on page 321
- “Example 5 for `/DISPLAY POOL` Command” on page 322
- “Example 6 for `/DISPLAY POOL` Command” on page 323
- “Example 7 for `/DISPLAY POOL` Command” on page 323
- “Example 8 for `/DISPLAY POOL` Command” on page 323
- “Example 9 for `/DISPLAY POOL` Command” on page 324

- “Example 10 for /DISPLAY POOL Command” on page 324
- “Example 11 for /DISPLAY POOL Command” on page 324
- “Example 12 for /DISPLAY POOL Command” on page 324
- “Example 13 for /DISPLAY POOL Command” on page 324
- “Example 14 for /DISPLAY POOL Command” on page 325
- “Example 15 for /DISPLAY POOL Command” on page 325

The classes and corresponding parameters are:

- CBT** This displays storage for all CBT pools. Use of this operand generates a large amount of display output.
- DBB** This displays database related storage.
- DCC** This displays storage associated with DC.
- DEP** This displays storage associated with the dependent region structure. This parameter is not supported for an RSR tracking subsystem.
- DISP** This displays dispatcher related storage.
- FP** This displays Fast Path related storage.
- GEN** This displays storage that has no particular functional association.
- OSAM** This displays OSAM related storage.
- SUM** This displays summary statistics for each of the above storage classes.

A CBT class display shows information for each pool in that class. The amount of storage displayed for these pools might change because the storage is obtained as needed and can be freed when not in use. In addition, a summary of the total current global and local storage in the class and in all CBT pools is displayed.

If SUM is specified, a summary of the total current local and global storage for each CBT class is displayed.

For the following storage pools, the amount of storage obtained is specified during system definition or via EXEC statement overrides in the IMS procedure JCL.

**DBAS** Database buffer pools (includes VSAM buffer pools if VSAM is in the system, also includes buffer space used by sequential buffering).

Statistics for VSAM local shared resource pools are displayed in the order in which the pools are defined. For each local shared resource pool, each subpool's statistics are displayed in ascending order by buffer size. The smallest buffers are listed first and the largest buffers are listed last. If an index subpool exists in the shared resource pool, its statistics follow the data subpool statistics. Index statistics are also displayed in ascending order by buffer size.

Headings for VSAM subpools include the pool ID of the local shared resource pool. They also indicate whether the subpool is a data subpool (type D) or an index subpool (type I).

**DBWP**

Database working pool.

**DMBP** Data management block pool.

**EPCB** Fast Path PCB extension pool for MPPs.

**FPDB** Fast Path database buffer pool.

- MAIN** Working storage pool.
- MFP** Message format block pool.
- PSBP** Program specification block pool This parameter is not supported for an RSR tracking subsystem.
- PSBW** Program specification block work area. This parameter is not supported for an RSR tracking subsystem.
- QBUF** Message queue buffer pool. Parameter QBUF can also be used to indicate how close the system is to automatic shutdown due to message queue buildup. The statistics displayed for each data set are:
- The maximum number of records available before initiation of automatic shutdown. This value is defined by the SHUTDWN parameter of the MSGQUEUE macro. This value is not the total number of records available in the data set.
  - The number of records currently in use.
  - The percentage of records currently in use to records available before initiation of automatic shutdown. When the value described in this item reaches 100%, an internal checkpoint dumpq will automatically be initiated. The number of records in the queue data set might continue to increase during the checkpoint dumpq, resulting in percentages greater than 100 being displayed.

Table 52 shows the environments (DB/DC, DBCTL, or DCCTL) in which each storage pool is valid. If a pool is not valid in an environment, it will not appear when /DISPLAY POOL ALL is issued.

Table 52. Storage Pools and Their Environments

Storage Pools	DB/DC	DBCTL	DCCTL
AOIP	X	X	X
CESS	X	X	X
CIOP	X	X	X
DBAS	X	X	
DBWP	X	X	
DMBP	X	X	
EMHB	X	X	X
EPCB	X	X	X
FPDB	X	X	
FPWP	X	X	
HIOP	X		X
LUMC	X		X
LUMP	X		X
MAIN	X	X	X
MFP	X		X
PSBP	X	X	X
PSBW	X	X	X
QBUF	X		X



Table 52. Storage Pools and Their Environments (continued)

Storage Pools	DB/DC	DBCTL	DCCTL
<b>Note:</b>			
When /DISPLAY POOL ALL is specified for an RSR tracking subsystem, the following pools are not included: DEP, PSBP, PSBW, LUMP, LUMC.			

## Abbreviations Used in the /DISPLAY POOL Command

The following lists indicate the abbreviations used in the /DISPLAY POOL command for each pool and subpool.

### CBT Pool Display

<b>NAME</b>	Storage pool name
<b>SP</b>	Associated MVS/ESA user number
<b>CURR</b>	Current bytes allocated to the pool
<b>MAX</b>	Maximum size in bytes that the pool ever reached
<b>GETS</b>	Number of GETMAINS issued
<b>FREES</b>	Number of FREEMAINS issued

### Message Queue Pool

<b>BFRS</b>	Number of processor storage queue buffers
<b>SIZE</b>	Usable size of one queue buffer, excluding the buffer prefix
<b>ENQ</b>	Number of message enqueues
<b>DEQ</b>	Number of message dequeues
<b>CAN</b>	Number of canceled messages
<b>WAIT</b>	Number of I/O waits issued
<b>I/O</b>	Number of I/O operations. In a shared queues environment, it is the sum of CQSPUTs and CQSREADs.
<b>ERR</b>	Number of I/O errors

### Message Format Pool

<b>SIZE</b>	Pool size
<b>SPACE</b>	Maximum amount of free space
<b>DIRS</b>	Space used by MFS Dynamic Directory
<b>REQ1</b>	Number of block requests from pool
<b>I/O</b>	Number of fetch I/O operations
<b>DIR</b>	Number of directory I/O operations
<b>WAIT</b>	Number of immediate fetch I/O operations
<b>FREE</b>	Amount of free space currently in the pool
<b>ERR</b>	Number of I/O errors

2  
2  
2

### Database Buffer Pools

The database buffer pool display consists of the OSAM buffer pool and, if VSAM is in the system, the VSAM buffer subpool. The display also includes information about the buffer space used by sequential buffering within the online IMS subsystem. The information about the sequential buffering buffer space includes:

<b>MAX</b>	Maximum amount of space available for sequential buffering
<b>FREE</b>	Amount of currently free space for sequential buffering
<b>CUR</b>	Current bytes allocated to the pools for sequential buffering
<b>HIGH</b>	Highest amount of space ever used in this run for sequential buffering

### OSAM Buffer Subpool

#### Product-sensitive programming interface

Statistics for each OSAM subpool are displayed separately. The final display provides the statistical summation for all the OSAM subpools in all the shared resource pools.

<b>SIZE</b>	Buffer pool size
<b>REQ1</b>	Number of block requests
<b>REQ2</b>	Number of requests satisfied in the pool plus new blocks created
<b>READ</b>	Number of read requests issued
<b>BISAM</b>	Number of BISAM reads issued plus QISAM SETLs
<b>WRITES</b>	Number of OSAM writes issued
<b>KEYC</b>	Number of retrieve by key calls number
<b>LCYL</b>	Number of OSAM format logical cylinder requests
<b>PURG</b>	Number of synchronization calls received
<b>OWNRR</b>	Number of release ownership requests
<b>ERRORS</b>	Number of permanent errors now in the pool and largest number of permanent errors during this run

#### End of Product-sensitive programming interface

### VSAM Buffer Subpool

#### Product-sensitive programming interface

Statistics for each VSAM subpool are displayed separately. The final display provides the statistical summation for all the VSAM subpools in all the shared resource pools.

<b>BSIZE</b>	The size of the buffers in this VSAM subpool
<b>POOLID</b>	Local shared resource pool ID

<b>TYPE</b>	The subpool type: I (Index) or D (Data)
<b>RRBA</b>	Number of retrieval requests by RBA
<b>RKEY</b>	Number of retrieval requests by key
<b>BFALT</b>	Number of logical records altered
<b>NREC</b>	Number of new VSAM logical records created
<b>SYNPTS</b>	Number of system checkpoint requests
<b>NMBUFS</b>	Number of buffers in this VSAM subpool
<b>VRDS</b>	Number of VSAM control interval reads
<b>FOUND</b>	Number of control intervals VSAM found in the subpool through lookaside
<b>VWTS</b>	Number of VSAM control interval writes
<b>ERRORS</b>	Total number of permanent errors now in the pool and total number of permanent errors in this run

The BSIZE value in the final display is ALL.

\_\_\_\_\_ **End of Product-sensitive programming interface** \_\_\_\_\_

### Enhanced OSAM Buffer Subpool

\_\_\_\_\_ **Product-sensitive programming interface** \_\_\_\_\_

Each OSAM subpool is displayed separately. The final display provides the statistical summation for all the OSAM subpools.

<b>ID</b>	The 4-character POOLID provided at subpool definition time
<b>BSIZE</b>	The size of the buffers in this OSAM subpool
<b>NBUF</b>	Number of buffers for this subpool
<b>FX=</b>	The fix options for this subpool Y/N indicates whether or not the DATA BUFFER PREFIX/DATA BUFFERS are fixed.
<b>LCTREQ</b>	Number of LOCATE-type calls for this subpool
<b>ALTREQ</b>	Number of buffer alter calls for this subpool. This count includes NEW BLOCK and BYTALT calls.
<b>PURGRQ</b>	Number of PURGE calls for this subpool
<b>FNDIPL</b>	Number of LOCATE-type calls, for this subpool, where data is already in the OSAM pool
<b>BFSRCH</b>	Number of buffers searched by all LOCATE-type calls for this subpool
<b>RDREQ</b>	Number of READ I/O requests for this subpool
<b>BFSTLW</b>	Number of single block writes initiated by buffer steal routine for this subpool
<b>PURGWR</b>	Number of buffer written by purge
<b>WBSYID</b>	Number of LOCATE calls, for this subpool, that waited due to busy ID

<b>WBSYWR</b>	Number of LOCATE-type calls, for this subpool, that waited due to busy writing
<b>WBSYRD</b>	Number of LOCATE-type calls, for this subpool, that waited due to busy buffer reading
<b>WRLSEO</b>	Number of buffer steal or purge requests, for this subpool, that waited for ownership to be released.
<b>WNOBFR</b>	Number of buffer steal requests, for this subpool, that waited because no buffers were available to be stolen
<b>ERRORS</b>	Total number of I/O errors for this subpool, or number of buffers locked in the pool due to write errors for this subpool
<b>CF-READS</b>	Number of blocks read from CF.
<b>EXPCTD-NF</b>	Number of blocks expected but not read.
<b>CFWRT-PRI</b>	Number of blocks written to CF (prime).
<b>CFWRT-CHG</b>	Number of blocks written to CF (changed).
<b>STGGLS-FULL</b>	Number of blocks not written (STG CLS full).
<b>XI-CNTL</b>	Number of XI buffer-invalidate calls.
<b>VECTR-XI</b>	Number of buffers found invalidated by XI on VECTOR call.
<b>SB-SEQRD</b>	Number of immediate (SYNC) sequential reads (SB stat).
<b>SB-ANTICIP</b>	Number of anticipatory reads (SB stat).

For the summary totals, the POOLID is not shown. BSIZE is set to ALL. NBUF indicates the total number of buffers in the pool. The FX= field is replaced by OSM=, which shows the total size of the OSAM buffer pool.

\_\_\_\_\_ **End of Product-sensitive programming interface** \_\_\_\_\_

### Enhanced VSAM Buffer Subpool

\_\_\_\_\_ **Product-sensitive programming interface** \_\_\_\_\_

Each VSAM subpool is displayed separately. The final display provides the statistical summation for all the VSAM subpools.

<b>ID</b>	The 4-character POOLID provided at subpool definition time
<b>BSIZE</b>	The size of the buffers in this VSAM subpool
<b>TYPE</b>	identifies the subpool as containing INDEX or DATA buffer
<b>FX=</b>	Number of options for this subpool. Y/N is used to indicate whether or not the INDEX BUFFERS/DATA BUFFER PREFIX/ DATA BUFFERS are fixed.
<b>RRBA</b>	Number of retrieval requests by RBA
<b>RKEY</b>	Number of retrieval requests by KEY

<b>BFALT</b>	Number of logical records altered
<b>NREC</b>	Number of new VSAM logical records created
<b>SYNC PT</b>	Number of system checkpoint (synchronization point) requests
<b>NBUFS</b>	Number of buffers in this VSAM subpool
<b>VRDS</b>	Number of VSAM control interval reads
<b>FOUND</b>	Number of control intervals VSAM found in the subpool through lookaside
<b>VWTS</b>	Number of VSAM control interval writes
<b>HSR-S</b>	Number of successful VSAM reads from Hiperspace buffers
<b>HSW-S</b>	Number of successful VSAM writes to Hiperspace buffers
<b>HS NBUFS</b>	Number of Hiperspace buffers defined for this subpool
<b>HS R/W-FAIL</b>	Number of failed VSAM reads/writes from or to Hiperspace buffers. This indicates the number of times a VSAM READ/WRITE request from or to Hiperspace resulted in DASD I/O.
<b>ERRORS</b>	Number of permanent write errors now in the subpool, or the largest number of errors in this execution

The BSIZE value in the final display is the total size of all the VSAM subpool buffers. BSIZE is set to ALL. For the summary totals, the POOLID is not shown. The TYPE and FX= fields are replaced by VS=, which is the total size of the VSAM subpool in virtual storage, and HS=, which is the total size of the VSAM subpool in Hiperspace.

\_\_\_\_\_ **End of Product-sensitive programming interface** \_\_\_\_\_

### Fast Path Database Buffer Pool

<b>AVAIL</b>	Number of available page-fixed database buffers
<b>WRITING</b>	Number of page-fixed database buffers being written to disk, including the buffers being filled with sequential dependent segments
<b>PGMUSE</b>	Number of page-fixed buffers allocated to PSTs
<b>UNFIXED</b>	Number of available buffers for starting a new region
<b>POOLNAME</b>	Name of the private buffer pool for the area. This name is specified in the VSPEC member.
<b>CISIZE</b>	Control interval size of the private pool for the area.
<b>PBUF</b>	Size allocated for the primary pool (specified in the VSPEC member).
<b>SBUF</b>	Size allocated for the secondary pool (specified in the VSPEC member).

<b>MAX</b>	Maximum number of buffers for the private pool (specified in the VSPEC member).
<b>CURRENT</b>	Total number of buffers currently in the pool, including both primary and secondary allocations.
<b>LK</b>	Y indicates that buffer lookaside is active for the pool; N indicates that it is not.
<b>HITS</b>	Percentage of searches of the pool for which a buffer was found. Only displayed for lookaside pools.
<b>VALID</b>	Percentage of times a buffer found in the pool had valid data. An Invalid buffer is read from DASD and the pool copy is replaced. Only displayed for lookaside pools.
	You use the percentages displayed for HITS and VALID together.
	<b>Example:</b> If HITS is 40%, and VALID is 75%, a buffer was found in the pool 40% of the time, and of that 40%, 75% of the buffers found had valid data, that is, 30% of the HITS had valid data. So, IMS had to read data from DASD approximately 70% of the time.

### **PSBP, DMBP, PSBW, DBWP, EPCB, and MAIN Buffer Pools**

<b>SIZE</b>	pool size
<b>FREE</b>	amount of currently free space
<b>HIGH</b>	Highest amount of space ever used in this run

### **AOIP, CIOP, HIOP, CESS, FPWP, EMHB, LUMP, and LUMC Buffer Pools**

During the execution of IMS, the AOIP, CIOP, HIOP, CESS, FPWP, EMHB, LUMP, and LUMC buffer pools can dynamically expand and contract.

Internally, each dynamic pool has one or more blocks of storage that are not contiguous, each divided into fixed length buffers. By obtaining new blocks and releasing unused blocks, a buffer pool can expand or contract during the execution of IMS. The number of blocks needed for each pool depends on several factors such as the number of buffer requests from the pool, buffer size, and block size.

<b>SIZE</b>	Pool size
<b>HIGH</b>	Maximum size since last checkpoint
<b>LIMIT</b>	Upper expansion limit
<b>OVERFLOW</b>	Size of the oversized chain

---

## **/DISPLAY PROGRAM**

/DISPLAY PROGRAM displays the status of programs.

The status displayed can be one of the following:

```

DB-STOPD
I/O PREVEN
LOCK
NOTINIT
STOPPED
TRA

```

For definitions of the status conditions, refer to Appendix G, “Status and Attributes for the /DISPLAY Command,” on page 855.

For DBCTL, this command displays the status of BMP programs, DEDB utilities, and CCTL PSBs. Because DBCTL has no knowledge of CICS programs, their status is not displayed.

An example of using the /DISPLAY PROGRAM command is shown in “Example for /DISPLAY PROGRAM Command” on page 325.

## **/DISPLAY PSB**

/DISPLAY PSB displays the status of PSBs, which transactions these PSBs are processing, any routing code associated with the transactions, the databases being accessed, and the type of access. This keyword can be used only if Fast Path is installed.

For HSSP PSBs, the letter H is appended to the access intent under the ACCESS heading.

For DBCTL, the status of CCTL PSBs is displayed.

An example of using the /DISPLAY PSB command is shown in “Example for /DISPLAY PSB Command” on page 326.

## **/DISPLAY PTERM**

/DISPLAY PTERM can be specified without an associated LINE keyword on /DISPLAY when PTERM is used with the special “attribute” parameter. Physical terminals are selected for display based on the attribute or attributes specified. The attribute display format is the same as the standard LINE/PTERM display. Attributes usually correspond to the conditions displayed for line/physical terminals.

An example of using the /DISPLAY PTERM command is shown in “Example for /DISPLAY PTERM Command” on page 327.

The attributes that can be specified with the PTERM keyword are listed in Table 53. For example, /DISPLAY PTERM TRACE displays all physical terminals that are currently being traced.

*Table 53. /DISPLAY PTERM Command Attributes*

COMPINOP	CONVACT <sup>1</sup>
CONVHLD <sup>2</sup>	EXCL
INOP	LOCK
LOOPTEST	MFSTEST
NOIN	NOOUT
NOQUEUE	NOTOPEN
PAGE	PRST
PSTOPPED	PUR

Table 53. /DISPLAY PTERM Command Attributes (continued)

RESP	RESPINP
SIGN	STOPPED
TEST	TKOTRA
TRA	

**Notes:**

1. Corresponds to the NODE condition CONV-ACT.
2. Corresponds to the NODE condition CONV-HLD.

**/DISPLAY Q**

/DISPLAY Q displays the message queues according to classes and priority levels.

**BALGRP**

Displays queue counts of the Fast Path load balancing group queues.

**CLASS**

Displays queues for specified classes.

**PRIORITY**

Displays queues for specified priorities.

**QCNT**

Specifies that global queue count information is to be displayed for Fast Path load balancing groups. If QCNT is not specified, only local queue counts are displayed; when it is specified, no local queue counts are displayed.

This keyword is only valid in a shared-queues environment.

**TRANSACTION**

Displays queues for transactions that are ready to run. DFSCPIC is displayed as psbname for CPI Communications driven transactions that have not issued a DL/I call to allocate a PSB.

Combinations of the CLASS, PRIORITY, and TRANSACTION keywords allow classes, priority levels within classes, transactions within priority levels, and message counts to be displayed on an as-needed basis.

Examples of using the /DISPLAY Q command are shown in:

- "Example 1 for /DISPLAY Q Command" on page 327
- "Example 2 for /DISPLAY Q Command" on page 329

**/DISPLAY QCNT**

/DISPLAY QCNT displays global queue information for the specified resource type. The resource type can be APPC, BALGRP, LTERM, OTMA, REMOTE, or TRANSACTION. This command displays all the queues for the resource type with at least one message whose message age is greater than the message age value specified.

3 The following list describes the resource types allowed:

3 **APPC** Specifies that global information for all APPC outbound queues is to be  
3 displayed.



3 For messages that are placed on the shared queues using a side  
 3 information entry name, the side information entry name is returned in the  
 3 LUNAME field and the character string, DFSSIDE, is returned in the  
 3 TPNAME field.

3 **BALGRP**  
 3 Specifies that global information for LTERMs and MSNAMEs is to be  
 3 displayed.

3 **LTERM**  
 3 Specifies that global information for LTERMs and MSNAMEs is to be  
 3 displayed.

3 **MSGAGE**  
 3 Specifies the message age in number of days (0-365). Only those queues  
 3 with messages older than or equal to the value are displayed. The resource  
 3 name and the time when the message was placed on the shared queues  
 3 are displayed.  
 3 If you specify MSGAGE 0, all resource (queues) are displayed.

3 **OTMA** Specifies that global information for all OTMA outbound queues is to be  
 3 displayed.

3 **REMOTE**  
 3 Specifies that global information for remote transactions and remote  
 3 LTERMs is to be displayed.

3 **TRANSACTION**  
 3 Specifies that global information for transactions is to be displayed, not  
 3 including transactions that are suspended.

**Recommendation:** When you issue this command, IMS reads every message for the resource type. To minimize the performance impact, issue this command only when necessary.

This command is valid only in a shared-queues environment.

The output from the /DISPLAY QCNT command contains the following information:

3	<b>QUEUENAME</b>	1-8 byte queue name.
3		If the output is the result of a /DISPLAY QCNT APPC
3		MSGAGE or a /DISPLAY QCNT OTMA MSGAGE command,
3		the value displayed for the queue name is the
3		character string 'TMSTMP' followed by the IMSID
3		(or the first seven bytes of the RSENAME if XRF
3		capable) of the IMS to which the output messages
3		have affinity.
	<b>QCNT-TOTAL</b>	Total count of messages on the queue.
	<b>QCNT-AGED</b>	Count of messages with a message age greater
		than or equal to the message age specified. This
		count does not include messages whose age is
		less than the message age specified.
3	<b>TSTMP-OLD</b>	The timestamp of the oldest message for the
3		queuename on the Shared Queue.
3	<b>TSTMP-NEW</b>	The timestamp of the newest message for the
3		queuename on the Shared Queue.

3 **Note:** The timestamp is the time when the message  
 3 is put on the Shared Queues by CQS. These  
 3 timestamps can be used to select records from the  
 3 CQS log or the IMS log. Because this is a CQS  
 3 generated timestamp, it may not correspond to the  
 3 timestamp for the same message on the IMS log as  
 3 logging a message in IMS and logging the same  
 3 message in CQS are separate events.

Examples of using the /DISPLAY QCNT command are shown in “Example for /DISPLAY QCNT Command” on page 329.

---

## /DISPLAY RECOVERY

2 The /DISPLAY RECOVERY command displays the recovery process in progress. It also  
 2 displays the list of database data sets and areas being recovered by an online  
 2 database recovery service. The database data sets and areas are displayed as part  
 2 of a *recovery list*, which is a set of database data sets, areas, or both processed by  
 2 an online database recovery service in a single recovery instance. The /DISPLAY  
 2 RECOVERY command also shows the status of one or all of the recovery lists that  
 2 exist.

If an online database recovery service is executing in an IMS DB/DC control region, the /DISPLAY RECOVERY command can be issued from LTERMS, automated operator (AO) application programs, the IMS Master Terminal (MTO), or the MVS master console and secondary console.

If an online database recovery service is running in an IMS DBCTL region, the /DISPLAY RECOVERY command can be issued by programs using the IMS DBCTL AOI or the MVS master console and secondary console.

Examples of using the /DISPLAY RECOVERY command are shown in:

- “Example 1 for /DISPLAY RECOVERY Command” on page 330
- “Example 2 for /DISPLAY RECOVERY Command” on page 330
- “Example 3 for /DISPLAY RECOVERY Command” on page 331
- “Example 4 for /DISPLAY RECOVERY Command” on page 331
- “Example 5 for /DISPLAY RECOVERY Command” on page 332
- “Example 6 for /DISPLAY RECOVERY Command” on page 332
- “Example 7 for /DISPLAY RECOVERY Command” on page 332
- “Example 8 for /DISPLAY RECOVERY Command” on page 333

### ALL

An optional parameter that displays all the recovery list information and the recovery progress information. No recovery list entry information is displayed.

### RCVTOKEN

An optional parameter that displays the recovery token associated with the specific recovery list. The recovery list information and recovery progress information for the specific list display with the recovery list entry information, including the database data set and areas contained in the recovery list.

#### *token*

Specifies the unique recovery token associated with the recovery list. This token can be up to eight characters in length. If RCVTOKEN is specified, *token* must be supplied.

The /DISPLAY RECOVERY command output is divided into three sections.

- Recovery List Information
- Recovery Progress Information
- Recovery List Entry Information

## Recovery List Information

This section displays the status of one or more recovery lists. The status includes the following information:

2

### TOKEN

3

This shows the recovery list token. If /DIS RECOVERY ALL is issued and no recovery lists exist, NO LISTS is displayed. If IMS is unable to obtain recovery list information from the recovery facility, UNAVAIL is displayed.

3

3

### STATUS

The current status of the recovery list. The status is one of the following:

2

#### FORMING

2

A /RECOVER START command has not been issued.

#### STARTED

A /RECOVER START command has been issued. Recovery processing started but has not completed.

#### UNKNOWN

No list with the given token can be found.

2

#### STOPPING

2

A /REC STOP ALLENT command was issued.

2

### ERROR

2

The choices are ABORT or CONT. These are the action options in case an error is encountered.

2

### REC TYPE

Indicates the type of recovery being processed. The type is one of the following:

**FULL** A full recovery is processing.

**TSR** A Timestamp Recovery is processing. This occurs when RCVTIME was specified on the /RECOVER START command, but PITR was not specified.

**PITR** A Timestamp Recovery is processing with the point-in-time recovery (PITR) option. This occurs when RCVTIME is specified on the /RECOVER START command with PITR.

**N/A** Recovery has not been started. The type is undefined.

2

**PROC** The values that may appear reflect the recovery progress in two phases of processing: reading log data sets and restoring image copy data. The format of the entries are as follows:

2

2

2

- nnnn of mmmm LOGS READ

2

- nnnn of mmmm RESTORED

2

- COMPLETE - this state will only appear for a few seconds following the completion of restoration of the last DBDS and termination of the recovery list.

2

2

2

- NOT STARTED - The recovery list is ready for processing or for additional updates.

2

2

- 2 • routing time - if an online database recovery service is being used.
- 2 **IC#** Indicates the primary image copy will be used if an image copy is to be
- 2 used during recovery.
- 2 **SOURCE**
- 2 The primary copy as contained in the RECON is used for recovery.

## Recovery Progress Information

This section displays status of the recovery in progress, if there is one. The section is omitted if no recovery is in progress. The status includes the following information:

### TOKEN

The recovery list token.

### LAST PROCESSED

The timestamp of the last log record processed by the recovery. The time is displayed in local time.

### RCVTIME

The RCVTIME value specified on the /RECOVER START command or N/A if none was specified. The time is displayed in local time.

## Recovery List Entry Information

This section displays the list of database data sets and areas in the given recovery list. The status includes the following information:

### DATABASE DATA SET

For full function, this is the DB name and DD name of the database data set. For Fast Path it is the area name. If there are multiple area data sets for the area, the string '(MADS)' will also be displayed.

### START OPTION

- 3 This shows the start option that was specified on the /RECOVER ADD or
- 3 /RECOVER START command or taken from the system default. The values can
- 3 be **STALOCAL**, **STAGLOBAL**, or **OFFLINE**.

### STATUS

This indicates the status of the database data set or area. The status can be one of the following:

#### FAILED

An error occurred for this database data set or area during recovery.

#### STOPPED

A /RECOVER STOP command was entered to stop recovery processing for the database data set or area.

#### NORMAL

Recovery is in progress or pending for the database data set or area.

#### INVALID

DBRC no longer contains information about this database data set or area.

**AUTH SSID**

A list of SSIDs that are still authorized to the database data set or area. **NONE** displays if no IMS is authorized to the database data set or area. If recovery is in progress, **N/A** displays.

---

**/DISPLAY RTCODE**

`/DISPLAY RTCODE` displays the status of Fast Path routing codes, the PSB using the routing code, and the region, if any.

An example of using the `/DISPLAY RTCODE` command is shown in “Example for `/DISPLAY RTCODE` Command” on page 333.

---

**/DISPLAY SHUTDOWN STATUS**

`/DISPLAY SHUTDOWN STATUS` displays system activity during a shutdown type of checkpoint. When issuing the `/DISPLAY SHUTDOWN STATUS` command from a specific environment (such as DBCTL), only the information that is valid for that environment is displayed. For example, in a DBCTL environment, only the number of IMS threads is displayed.

In an LU 6.2 environment, the `/DISPLAY SHUTDOWN STATUS` command indicates the dependent regions that have active CPI Communications driven transaction programs. These regions must be terminated prior to shutdown completion. In addition, the command also displays LU 6.2 conversations that hang the shutdown processing.

In a shared-queues environment, the `/DISPLAY SHUTDOWN STATUS` command displays the CQS job name that needs to be restarted if IMS shutdown hangs because CQS is inactive.

If a `/DISPLAY SHUTDOWN STATUS` command is issued while a database is being recovered with the Online Recovery Services, the response `DB RECOVERY IN PROGRESS` will be returned in addition to the other responses.

Examples of using the `/DISPLAY SHUTDOWN STATUS` command are shown in

- “Example 1 for `/DISPLAY SHUTDOWN STATUS` Command” on page 333
- “Example 2 for `/DISPLAY SHUTDOWN STATUS` Command” on page 334
- “Example 3 for `/DISPLAY SHUTDOWN STATUS` Command” on page 334

The status displayed when the `/DISPLAY SHUTDOWN STATUS` command is issued can include the following:

**xx MSG PROCESSING REGIONS(S) ACTIVE**

Where `xx` is the number of BMP, TP, and FP regions that are active. If the checkpoint has already been posted, this is the only status displayed.

For DBCTL, a count of active CCTL threads is included.

**SYSTEM PURGING**

The checkpoint is the result of a `/CHECKPOINT PURGE` command.

**TERMINAL USER STATUS**

The header for the portion of the display that shows active terminals, whose status can be one of the following:

INPUT IN PROCESS  
OUTPUT IN PROCESS  
AWAITING RESPONSE  
XX MSGS IN QUEUE

If there is no terminal activity, the status can be one of the following:

NO INPUTTING LINES  
NO OUTPUTTING LINES

**MSG-IN X MSG-OUT Y**

The message totals, where X is the total number of input messages and Y is the total number of output messages.

**Master Terminal Status**

The following text is displayed for the primary master, secondary master, or system console:

PRIMARY MSTR  
SECOND MSTR           ACTIVE , MESSAGES WAITING  
SYS CONSOLE

ACTIVE indicates the terminal is in the following states:

OPERABLE  
ALLOWING INPUT  
ALLOWING OUTPUT  
NOT STOPPED FOR QUEUEING  
NOT LOCKED  
NOT IN TEST MODE

MESSAGES WAITING indicates that there are system messages (Q3) waiting to be sent, thus preventing shutdown from completing.

**OTMA PHASE=x**

The current phase of IMS Open Transaction Manager Access (OTMA) processing. The shutdown phases are:

- 1       OTMA shutdown processing has begun.
- 2       Dependent regions have terminated. DFS1970 messages have been sent to OTMA clients for all inflight Send-then-Commit (commit mode 1) transactions.
- 3       OTMA is waiting for termination of all client-processing-related activities.
- 4       OTMA shutdown is complete.

**COMMIT x T MEMBER=membername TPIPE=tpipename**

The commit mode for the transaction and which OTMA client (member) and TPIPE is currently in progress and thus preventing completion of shutdown. COMMIT x can be either of the following:

- 0       Commit-Then-Send
- 1       Send-Then-Commit

**XXXXXXX PROCESSING REGION(S) ACTIVE**

Active regions, where XXXXXXXX is one of the following types:

BMP MSG  
TP   MSG  
FP

If status of a line or link shows input or output in progress and immediate shutdown is desired, the /IDLE command can be used.

One of the following commands can be used to close the VTAM node:

- /CHECKPOINT(except simple checkpoint)
- /CLSDST
- /IDLE NODE(only after a /CLDST command has been tried first)
- /QUIESCE(for session type 6 nodes only)
- /STOP NODE

The /STOP DC or /CHECKPOINT(other than simple checkpoint) command can be issued to close the VTAM ACB.

If a checkpoint purge is in progress and messages are in the output queues, an orderly shutdown can be initiated by entering the /CLSDST or /STOP command. This allows termination after the next output message is sent, but might be insufficient for display terminals or terminals in input mode. If a node is hung, the following can be done:

1. A /CLSDST FORCE command can be issued.
2. If that fails, then the /IDLE command can be issued.

If any messages are queued for PTERM1 (system console) or the master terminal, they must be requested and received before the purge will complete. /STOP and /IDLE are ineffective against these terminals. When using ISC parallel sessions, one line of information is displayed for each applicable session of the node. The user name is also displayed.

---

## **/DISPLAY STATUS (With No Keywords)**

/DISPLAY STATUS (with no keywords) displays the IMS resources that are in the states listed in Table 54. /DISPLAY STATUS displays only conditions that require operator intervention. Status definitions are shown in Appendix G, "Status and Attributes for the /DISPLAY Command," on page 855.

*Table 54. /DISPLAY STATUS Resource States Displayed (No Keywords)*

<b>Resource</b>	<b>State</b>
CLASS	STOPPED
DATABASE	ALLOCF, BACKOUT, EEQE, INQONLY, LOCK, NOTINIT, NOTOPEN
DATABASE ADS	PRE-OPEN FAILED, SEVERE-ERROR, UNAVAILABLE, COPY-PHASE, FORMAT-PHASE
DATABASE AREA	RECOVERY NEEDED, STOPPED
LINE	IDLE, NOIN, NOOUT, NOQUEUE, NOTOPEN, PSTOPPED, PUR, RESP, RESP-INP, STOPPED
LINK	ACTV, COLD, ERE, IDLE, NOTIDLE-A, NOTIDLE-B, NOTIDLE-Cxx, NOTOPEN, NRE, N/A, PSTOPPED
LTERM/MSNAME	LOCK, PSTOPPED, PUR, QERROR, QLOCK, STOPPED
LUNAME	STO, STO-INP, STO-OUTP
NODE	CLSDST, CONV-HLD, C1INOP, C2INOP, C3INOP, C4INOP, DEACTIVATED, DISCONNECTED, FORCE, INOP, LOCK, LOST, OPNDST, QUIESCED, RESP, RESP-INP, RESYNC, SHUT, STOPPED
PROGRAM	DB-STOPD, I/O PREVENT, LOCK, NOTINIT, STOPPED



Table 54. /DISPLAY STATUS Resource States Displayed (No Keywords) (continued)

Resource	State
PTERM	COMPINOP, CONV-HLD, EXCL, INOP, LOCK, LOOPTEST, NOIN, NOTOPEN, NOOUT, NOQUEUE, PSTOPPED, PUR, RESP, RESP-INP, STOPPED, TEST
RTCODE	STOPPED
TMEMBER	STO
TRAN	LOCK, PSTOPPED, PUR, QERROR, SPND, STOPPED, USTOPPED
USER	CONV-HLD, DEADQ, RESP, RESP-INP, STOPPED

Any combination of the indicated keywords can be used to display the associated resources. If no exceptional conditions are found for any of the resources specified by the individual keywords, STATUS UNRESTRICTED is displayed.

For Fast Path databases, the /DISPLAY STATUS DATABASE command shows the area and ADS exceptions as well as the database status. Each area with exceptions is displayed on a separate line after the database line. Each ADS with exceptions is displayed on a separate line after the area line.

The /DISPLAY STATUS USER command provides the status of a user. The ALLOC status is followed by the nodename to which the user is allocated or signed onto in parenthesis.

In an IMSplex, if NODE, LTERM, or USER is specified with the /DISPLAY STATUS command, it will result in extensive accesses to the Resource Manager for global information, and their use should be carefully considered.

In a DBCTL environment, /DISPLAY STATUS with no keywords only displays database and program information.

In a DCCTL environment, /DISPLAY STATUS with no keywords does not display database information.

For /DISPLAY STATUS TRANSACTION, DFSCPIC is displayed as the PSB name for CPI Communications driven transactions that have not issued a DL/I APSB call to allocate a PSB.

For a DB/DC RSR tracking subsystem, /DISPLAY STATUS with no keywords only displays DATABASE, LINE, LTERM, NODE, PTERM, and USER information.

The /DISPLAY STATUS DATABASE and /DISPLAY STATUS commands show the status of online forward recovery (OFR) for those databases in an RSR tracking subsystem that have OFR in progress.

/DISPLAY STATUS LUNAME can indicate that a command such as /STO LUNAME ALL INPUT or /STO LUNAME ALL OUTPUT was entered before the /DISPLAY that applies to all future LU 6.2 inbound or outbound conversations.

/DISPLAY STATUS TMEMBER displays the IMS Open Transaction Manager Access (OTMA) transaction pipes that are stopped. If a transaction pipe is not stopped, its status is UNRESTRICTED. An example of using the /DISPLAY STATUS TMEMBER command is shown in "Example 5 for /DISPLAY STATUS Command" on page 337.



---

## **/DISPLAY STRUCTURE**

/DISPLAY STRUCTURE displays the status of one or more coupling facility list queue structures used by IMS. This command displays the queue structure name, type, and status.

The status conditions that can be displayed are:

### **AVAILABLE**

The structure is available to be used by IMS.

### **CONNECTED**

IMS is connected to the structure.

### **DISCONNECTED**

IMS is not connected to the structure.

### **IN-OVERFLOW**

The structure is in overflow mode.

### **REBLD-INPROG**

A rebuild is in progress for the structure.

### **SHUTDOWN-STRCHKPT**

A structure checkpoint will be taken by CQS for the structure during a CQS normal shutdown.

### **STRCHKPT-INPROG**

A structure checkpoint is in progress for the structure.

### **UNAVAILABLE**

The structure is not available to be used by IMS.

This command is only valid in a shared-queues environment.

An example of using the /DISPLAY STRUCTURE command is shown in “Example for /DISPLAY STRUCTURE Command” on page 338.

---

## **/DISPLAY SUBSYS**

/DISPLAY SUBSYS is used to display information about an external subsystem. (The external subsystem is **not** a CCTL subsystem.) When used without the OASN keyword, the SUBSYS keyword displays the status of the connection between IMS and the external subsystem (not CCTL), as well as all application programs communicating with the external subsystem (not CCTL). The OASN keyword is used with the SUBSYS keyword to display all OASNs associated with the specified external subsystem. (The external subsystem is **not** a CCTL subsystem.) For more information, see “/DISPLAY OASN SUBSYS” on page 242.

Examples of using the /DISPLAY SUBSYS command are shown in:

- “Example 1 for /DISPLAY SUBSYS Command” on page 338
- “Example 2 for /DISPLAY SUBSYS Command” on page 338
- “Example for /DISPLAY OASN Command” on page 316

For status terms for the connection between IMS and the external subsystem, see “Subsystem Status Terms” on page 266. For status terms for the connection between an IMS application program and the external subsystem, see “Dependent Region Status Terms” on page 266.

Subsystem status terms can be generated by the /DISPLAY SUBSYS command. Dependent region status terms can be generated by the /DISPLAY SUBSYS or /DISPLAY ACTIVE command.

## Subsystem Status Terms

**CONN** The IMS control region has successfully completed a host system IDENTIFY request to the external subsystem, making the two subsystems aware of each other's existence so they can begin a normal dialog.

**NOT CONN**

The external subsystem is in an idle state; that is, the external subsystem has not been the object of the /STOP SUBSYS command, or the external subsystem initialization exit indicated not to issue the IDENTIFY REQUEST (connect)

**CONN IN PROGRESS**

The connection process for the specified subsystem is in progress

**STOPPED**

The specified subsystem has been successfully stopped via the /STOP SUBSYS command and all region connections to the specified external subsystem have been terminated

**STOP IN PROGRESS**

The /STOP SUBSYS command is in progress. Before it successfully completes, all active connections to the specified subsystem from all IMS regions must be quiesced.

**TERM IN PROGRESS**

An internal termination of the subsystem connection is underway. This type of termination was instigated by IMS abnormal condition processing, an external subsystem exit, or the external subsystem (the error message The exact reason). IMS shutdown will not cause this condition.

**INVALID SUBSYSTEM NAME = XXXX**

The specified subsystem name has not been defined in the IMS subsystem PROCLIB member

**SUBSYSTEM XXXX NOT DEFINED BUT RECOVERY OUTSTANDING**

The specified subsystem name has not been defined to IMS in the external subsystem PROCLIB member, but IMS still has outstanding recovery elements from a previous execution when the indicated subsystem was known

The command recognition character will also be displayed for the external subsystem.

## Dependent Region Status Terms

**CONN** An IMS dependent region has successfully completed a host system IDENTIFY request to the external subsystem as a result of an application having been scheduled into the dependent region. In an MPP, the application does not have to issue an external subsystem call to cause a connection.

**CONN, ACTIVE**

An IMS application program has established communication with an external subsystem (for example, has issued at least one external subsystem call). At this point a thread exists between the IMS application program and the external subsystem.

The absence of a PSB name for a thread An a connection to the external subsystem exists but an application program is not currently occupying the region. The presence or absence of an LTERM name indicates whether or not a region is message driven.

---

## **/DISPLAY SYSID TRANSACTION**

The /DISPLAY SYSID TRANSACTION command displays the IDs of the local and remote systems associated with the transaction. Values displayed for the local and remote IDs can range from 1 to 2036.

An example of using the /DISPLAY SYSID TRANSACTION command is shown in “Example for /DISPLAY SYSID Command” on page 338.

---

## **/DISPLAY TIMEOVER**

The /DISPLAY TIMEOVER command displays all nodes that have been waiting for a VTAM response for a longer time than specified in the /TRACE SET ON TIMEOUT command.

An example of using the /DISPLAY TIMEOVER command is shown in “Example for /DISPLAY TIMEOVER Command” on page 339.

**time#** is the time period in minutes; it is required. The number of minutes must be between 1 and 60.

If no nodes are found that have been waiting longer than time# minutes, then the message NO NODE WITH TIMEOVER time# FOUND is displayed. An error message is displayed and the command is rejected if the timeout trace facility failed during IMS initialization. User names are displayed for ISC nodes, but non-ISC nodes show N/A.

---

## **/DISPLAY TMEMBER**

The /DISPLAY TMEMBER command displays the current transaction member status for IMS Open Transaction Manager Access (OTMA) clients and servers. This command displays the following:

- Each member in each XCF group

When you issue /DISPLAY TMEMBER ALL, the server is always the first member displayed.

- The XCF status for each member

The status can be one of the following:

- ACTIVE
- CREATED
- FAILED
- NOT DEFINED
- QUIESCED
- UNKNOWN

If the server leaves the XCF group (for example, because of a /STOP OTMA command), then the XCF status is displayed as NOT DEFINED.

- The user status for each member

The status can be one of the following:

- ACCEPT TRAFFIC
- DISCONNECTED
- IN SLOWDOWN
- SERVER
- WAIT BID
- WAIT RESPONSE

either SERVER or ACCEPT TRAFFIC.

- The security status for each server

The security status can be one of the following:

NONE  
CHECK  
FULL  
PROFILE

See Chapter 53, “/SECURE,” on page 583 for more information on the security status.

This command also displays transaction pipe status for each member, including:

- Enqueue and dequeue counts
- Current queue count
- Current status

This command shows one of the following for the status of a transaction pipe:

- DQF** Dequeue request for OTMA REPresynch command failed.
- REP** IMS is waiting for an OTMA REPresynch command from the client.
- REQ** IMS is sending an OTMA REQresynch command to the client.
- RSF** Reset request failed for an OTMA REPresynch command.
- STO** The transaction pipe is stopped.
- SYN** The transaction pipe is being synchronized.
- TBR** IMS is waiting for an OTMA TBResynch command from the client.
- TMP** The transaction pipe is temporary.
- TRA** The transaction pipe is being traced.

Examples of using the /DISPLAY TMEMBER command are shown in:

- “Example 1 for /DISPLAY TMEMBER Command” on page 339
- “Example 2 for /DISPLAY TMEMBER Command” on page 339

#### **QCNT**

Specifies that global queue count information is to be displayed. If QCNT is not specified, local queue counts are displayed; when it is specified, no local queue counts are displayed.

This keyword is only valid in a shared-queues environment.

**/DISPLAY TRACE**

/DISPLAY TRACE displays the status and options of the current IMS traces. TRACE must be followed by one or more keywords or by the ALL parameter. There is no default.

Examples of using the /DISPLAY TRACE command are shown in:

- “Example 1 for /DISPLAY TRACE Command” on page 339
- “Example 2 for /DISPLAY TRACE Command” on page 340
- “Example 3 for /DISPLAY TRACE Command” on page 341
- “Example 4 for /DISPLAY TRACE Command” on page 341
- “Example 5 for /DISPLAY TRACE Command” on page 342
- “Example 6 for /DISPLAY TRACE Command” on page 342
- “Example 7 for /DISPLAY TRACE Command” on page 342
- “Example 8 for /DISPLAY TRACE Command” on page 342
- “Example 9 for /DISPLAY TRACE Command” on page 343
- “Example 10 for /DISPLAY TRACE Command” on page 343
- “Example 11 for /DISPLAY TRACE Command” on page 343
- “Example 12 for /DISPLAY TRACE Command” on page 343
- “Example 13 for /DISPLAY TRACE Command” on page 343
- “Example 14 for /DISPLAY TRACE Command” on page 344

This command can display the following information:

**ALL** In a DBCTL system, ALL displays only DB-related traces. It does not show DC-related traces such as LINE, LUNAME, LINK, NODE, TRANSACTION, TRAP, or TIMEOUT.

In a DCCTL system, ALL displays only DC-related traces. It does not show DB-related traces such as OSAMGTF or PI.

For a DB/DC RSR tracking subsystem, ALL displays only LINE, NODE, PSB, TABLE, and TRAP information.

The display shows which external data set is active and whether the OLDS is being traced for trace logging. The command also indicates if XTRC is usable and the status of the XTRC data sets.

**EXIT** Displays user exit tracing. Currently, only tracing for the DFSMSCE0 user exit is supported. Table 55 lists the display exit entry points.

*Table 55. Display Exit Entry Points for Tracing*

LRDI	LRTR	TR62	TRVT
LRIN	PRCH	TRBT	
LRLT	PRIS	TROT	

The display indicates the status of each exit entry point. If the status is ON, the trace is active for the selected entry point. If the status is OFF, the trace is inactive for the selected entry point. If the status is N/A, the specified DFSMSCE0 trace entry point does not exist in the IMS.

**LINE** The relative line number and line type of all traced lines.

**LINK** The link number and link partner for all logical links.

**LUNAME**

All LU 6.2 application programs that are being traced.

**OSAMGTF**

Whether the OSAM Buffer Trace facility is active or inactive.

**MONITOR**

The status of the IMS Monitor, and if active, the options specified for it.

**NODE** The VTAM node name and node type. If the node is defined for a parallel session, each traced user of that node is displayed. If the users are not active, an N/A will be displayed.

**PI** The status of the program isolation trace, and if active, the status of the options and the volume level.

**PROGRAM**

The traced program name.

**PSB** The PSB name and trace option for each traced PSB.

**TABLE**

The trace status, logging status, total number of entries in each trace table, and the volume level.

For a DL/I trace, the volume level is displayed in the subcategories.

For an RSR tracking subsystem, TABLE does not show information about the LUMI, QMGR, RETR, SCHD, SQTT, or SUBS table traces.

In an IMSplex, the OCMD, RM, and SCI table traces are included in the table traces displayed.

**TCO** Displays whether or not tracing is active for the Time Controlled Operation (TCO).

**TIMEOUT**

The status of the IMS VTAM I/O Timeout Detection Facility, including the specifications given when the /TRACE SET ... TIMEOUT command was issued. The /DISPLAY TRACE TIMEOUT command will show active or inactive status, the timeout value in minutes, and the action to be taken when timeout occurs (AUTO, MSG, or no action). Option and Timeout values will be displayed only when the facility is active.

**TMEMBER**

The IMS Open Transaction Manager Access (OTMA) transaction pipes that are currently being traced for the given OTMA client.

**TRANSACTION**

The name of the transaction and the applicable PSB name for each trace.

**TRAP** The trap that is currently set, either 1 or 2; that trap is enabled for MFS serviceability aids.

**XTRC** External trace status. Whether XTRC is usable and the status of the XTRC data sets are also displayed.

---

**/DISPLAY TRACKING STATUS**

In an RSR complex, /DISPLAY TRACKING STATUS displays the status of a tracking subsystem. /DISPLAY TRACKING STATUS is valid on active and RSR tracking subsystems.

Examples of using the /DISPLAY TRACKING STATUS command are shown in:

- “Example 1 for /DISPLAY TRACKING STATUS Command” on page 344
- “Example 2 for /DISPLAY TRACKING STATUS Command” on page 345

## **/DISPLAY TRACKING STATUS on an Active Subsystem**

/DISPLAY TRACKING STATUS on an active subsystem displays the following:

- Subsystem IMSID
- The global service group (GSG)
- The service group (SG)
- The service group status
- The status of the conversation with log router

/DISPLAY TRACKING STATUS on an active subsystem shows the following information:

### **ACTIVE SUBSYSTEM**

The IMSID, global service group, service group, and service group status of the active subsystem

**IMSID** The IMSID of the active subsystem.

### **GSG-NAME**

The 1- to 8-character global service group (GSG) name. The global service group is the collection of all IMS subsystems in an RSR complex (such as online IMS, utilities, and so on) that access a particular set of databases. An active subsystem can only be defined as part of **one** global service group.

### **SG-NAME**

The name of the service group (SG) of which the active subsystem is a part. The service group name is 1 to 8 characters long.

### **SG-STATUS**

The service group status, which can be one of the following:

#### **IDENTIFICATION IN PROGRESS**

An the IMS logger is in the process of identifying to the Transport Manager Subsystem but has not yet completed.

#### **IDENTIFIED**

The IMS logger has identified to the Transport Manager Subsystem. A status of IDENTIFIED appears as long as the logger is connected or identified to the TMS. This status also appears after a /START SERVGRP command.

**LOST** The IMS logger's connection to the Transport Manager Subsystem is gone due to TMS or VTAM failure.

#### **NO LOG ROUTER SG DEFINED**

There is an error and logger has no knowledge of a log router with which to communicate. There is no Log Router Service Group defined to DBRC.

#### **NOT IDENTIFIED**

The IMS logger has never identified to the Transport Manager Subsystem (that is, is in its initial state) or the IMS logger has not been able to identify since the most recent /STOP SERVGRP command.

**STOPPED**

The /STOP SERVGRP command was issued. If there is an active conversation, /STOP SERVGRP causes it to be terminated.

At each OLDS switch, the logger no longer attempts to establish a conversation with the log router. Logs are no longer sent to the tracking subsystem. A /START SERVGRP command is required to undo the STOPPED condition.

**ACTIVE'S CONVERSATIONS WITH LOG ROUTERS**

Status of the conversations between the active and tracking subsystems.

**SG-NAME**

The name of the service group (SG) of which the tracking subsystem is a part.

**RECORDS-NOT-SENT**

The number of log records that have not yet been sent to the tracker. The number of records is a number in the form of nnnK, where K represents 1024 records. The number is rounded off to the nearest K. If the number of records exceeds 999K, then >999K is displayed.

This field applies only if the conversation status is SENDING LOGS. Otherwise, N/A is displayed.

**CONVERSATION STATUS**

The conversation status, which can be one of the following:

**ACCEPT IN PROGRESS**

A log router is in the process of accepting a conversation request, but has not yet allocated the conversation.

**ALLOCATION IN PROGRESS**

Indicates a conversation is in the process of being allocated.

**DEALLOCATION IN PROGRESS**

A conversation is in the process of being deallocated.

**NO ACTIVE CONVERSATION**

Indicates there is no active conversation between the logger and the log router. Although there is no conversation, the logger does know about the log router.

At each OLDS switch, the logger will attempt to establish a conversation with the log router until it is successful. A /START SERVGRP command can be issued to cause the logger to attempt to establish a conversation with the log router before the next OLDS switch.

**SENDING LOGS**

The logger has an active conversation with the log router and is sending logs to the tracking site.

**SUSPENDED LOGS**

The logger has an active conversation with the log router but has suspended sending logs to the tracking site due to resource shortage. The conversation is still intact.



## /DISPLAY TRACKING STATUS on a Tracking Subsystem

When issued on a tracking subsystem, /DISPLAY TRACKING STATUS displays the following:

- Subsystem IMSID
- Readiness level
- Global service group (GSG)
- Service group (SG)
- Service group status
- Tracking status
- Tracking activity
- Gaps
- Isolated log sender status
- Online forward recovery (OFR) status
- Current and restart milestone indexes
- DL/I tracking status
- Fast Path tracking status

/DISPLAY TRACKING STATUS shows the same information for an IMS DB/DC tracking subsystem or a DBCTL tracking subsystem.

/DISPLAY TRACKING STATUS on a tracker shows the following information:

### TRACKING SUBSYSTEM

The following tracking subsystem information is displayed:

**IMSID** The IMSID of the tracking subsystem. The IMSID is 1 to 4 characters long.

### READINESS-LEVEL

The readiness level of the tracking subsystem, which is either RECOVERY or DATABASE.

### GSG-NAME

The global service group (GSG) name. The GSG is the collection of all IMS subsystems in an RSR complex, such as online IMS, utilities, and so on, which access a particular set of databases. A tracking subsystem tracks only **one** global service group. The global service group name is 1 to 8 characters long.

### SG-NAME

The 1- to 8-character service group (SG) name.

### SG-STATUS

The service group status, which can be IDENTIFIED, NOT IDENTIFIED, or STOPPED.

### IDENTIFIED

The tracking subsystem has identified to the Transport Manager Subsystem (TMS), and can establish conversations with active loggers and isolated log sender (ILS) instances. IDENTIFIED appears as long as the tracking subsystem is connected or identified to the TMS.

### NOT IDENTIFIED

The tracking subsystem has not attempted to identify to the TMS. NOT IDENTIFIED is the initial state.

**STOPPED**

The tracking subsystem is not identified to the TMS. This status can be the result of any of the following: a /STOP SERVGRP command entered from the tracking subsystem, an unsuccessful attempt to identify, or termination of the TMS.

**TRACKING STATUS**

The status of the tracking subsystem, which can be one of the following:

**INACTIVE**

The tracking subsystem is idle. The tracking subsystem has completed all tracking work and has received no more log records from the active subsystems it tracks.

For example, a status of INACTIVE appears if the active subsystems have shut down and the tracking subsystem has completed its tracking work.

**TRACKING**

The tracking subsystem is tracking one or more active subsystems and has tracking work to do.

**PLANNED TAKEOVER REQUESTED**

One of the active subsystems being tracked issued an /RTAKEOVER command, notified the tracker, and shut down. As soon as all of the active systems in the GSG have shut down, all log gaps have been filled, and log routing has completed, the tracking subsystem will shut down for the planned remote takeover.

**PLANNED TAKEOVER IN PROGRESS**

An /RTAKEOVER command was entered on the active subsystem and all of the active subsystems being tracked have successfully shut down. The tracking subsystem is in the process of shutting down for the planned remote takeover. The tracking subsystem must shut down before active subsystems can be started at the new active site.

**UNPLANNED TAKEOVER IN PROGRESS**

An /RTAKEOVER command was entered on the tracking subsystem. The tracking subsystem will shut down for the unplanned remote takeover after it has completed routing received log data.

**NUMBER OF ACTIVE SUBSYSTEMS**

The number of active subsystems currently being tracked. It is followed by an integer.

**TRACKING ACTIVITY**

Status of the conversations between the tracker and the loggers of the active subsystems being tracked. The following information is displayed for each active subsystem being tracked:

**NAME** The IMSID of the subsystem being tracked or the jobname for batch or batch backout being tracked. Subsystem names are 1 to 4 characters long. Job names are 1 to 8 characters long.

If the active subsystems are XRF-capable, the subsystem name displayed includes a hyphen and the one-character HSBID.

**Example:** The XRF alternate for IMSA would be displayed as IMSA-2.

**TYPE** Type of subsystem, which can be ONLINE, ACTIVE, BATCH, or BBO (batch backout), as described below:

**ONLINE**

An online (not batch) subsystem that has not sent data to the tracking subsystem. The subsystem might be an active subsystem that has not completed restart or it might be an XRF alternate subsystem.

**ACTIVE**

An online (not batch) subsystem that has sent data to the tracking subsystem.

**BATCH**

A batch subsystem that has sent data to the tracking subsystem.

**BBO** A batch backout job that has sent data to the tracking subsystem.

**RECEIVED-LOG**

The universal coordinated time of the last log record received from the subsystem, BATCH job, or BBO job. The timestamp is of the format hhmmss, where hh represents hours, mm represents minutes, and ss represents seconds. RECEIVED-LOG does not apply to conversations with XRF-alternate subsystems, in which case N/A is displayed.

**ROUTED-LOG**

The universal coordinated time of the last log routed by the log router. The timestamp is of the format hhmmss, where hh represents hours, mm represents minutes, and ss represents seconds. ROUTED-LOG does not apply to conversations with XRF-alternate subsystems, in which case N/A is displayed.

**NOT-ROUTED**

The number of log records that have been received by the tracker but not yet routed by the log router. The number is in the format nnnK, where K represents 1024 log records. The number is rounded off to the nearest K. If this number exceeds 999K, then >999K is displayed. NOT-ROUTED does not apply to conversations with XRF-alternate subsystems, in which case N/A is displayed.

**STATUS**

The tracking status. If a conversation exists between the tracking subsystem and the active IMS, the status field contains CONV-ACT. If there is no conversation, the status field is left blank.

**GAPS** The status of gaps between the tracker and the active subsystems, BATCH jobs, or BBO jobs. One line is displayed for each gap associated with an active subsystem.

If the gap information is not known to the tracking subsystem, the PRILOG token associated with the gap is displayed as "MISSING LOG, PRILOG TOKEN=". The following gap information is displayed:

**NAME** The IMSID of the active system for which there is a gap, or the jobname of the BATCH or BBO job for which there is a gap.

In an XRF environment, the NAME is the RSENAME rather than the IMSID.

**LOG-SEQ-FIRST**

The log sequence number, in hexadecimal, of the first log record in the gap

**IN-GAP**

The number of records, in decimal, that are in the gap. The number is of the form nnnK, where K represents 1024 records. The number is rounded off to the nearest K. If this number exceeds 999K, then >999K is displayed.

**RECEIVED**

The number of records, in decimal, that have been received. The number is of the form nnnK, where K represents 1024 records. The number is rounded off to the nearest K. If this number exceeds 999K, then >999K is displayed.

**NOT-ROUTED**

The number of log records, in decimal, that have not been routed for the oldest gap. The number is of the form nnnK, where K represents 1024 records. If this number exceeds 999K, then >999K is displayed. This number does not apply to gaps other than the oldest one.

**STATUS**

The status of the gap, which is one of the following:

**FILLING**

The gap is currently being filled.

**WAITING**

The gap is not being filled yet. For example, the gap might be waiting to be filled if there are not enough conversations to send the log records, or a batch job is still running.

**PERMNT ERR**

There is a permanent error, such as a read error, that prevents this gap from being filled.

**UNAVAIL**

The log data needed to fill the gap is not available at the active site. The log or log data sets might have been deleted.

**ISOLATED LOG SENDER STATUS**

Status of isolated log sender conversations.

**SYSTEM NAME OF TRANSPORT MANAGER SUBSYSTEM**

If the tracking subsystem has a conversation with an isolated log sender, the system name of the Transport Manager to which the isolated log sender is identified is displayed.

**NUMBER OF CONVERSATIONS**

Number of conversations with this instance of isolated log sender.

**ONLINE FORWARD RECOVERY STATUS**

The following online forward recovery (OFR) status is displayed:

**NUMBER OF STREAMS BEING PROCESSED**

Number of OFR processes initiated. The online forward recoveries are processed one at a time.

**OFR ROUTING TIME**

The latest close time of any log data set that has been or is currently being read for OFR.

**MILESTONE INDEX STATUS**

The following milestone information is displayed:

**CURRENT MILESTONE INDEX**

The current milestone index.

**RESTART MILESTONE INDEX**

The restart milestone index.

**DLI TRACKING STATUS**

Status of DL/I database tracking.

**TRACKING PSTs**

Number of DL/I database tracking PSTs currently in use. The number can be from 0 to 255.

**USAGE OF TRACKING PSTs**

Average percent usage of DLI database tracking PSTs currently in use

**BACKLOG OF REDO RECORDS IN DATASPACE**

The backlog number of redo records in the data space. The backlog is a measure of how well the tracker is keeping up with the workload. The backlog is a number in the form of nnnK, where K represents 1024 redo records. The number is rounded off to the nearest K. If the number of redo records exceeds 999K, then >999K is displayed.

**FP TRACKING STATUS**

Status of Fast Path database tracking.

**TRACKING PSTs**

Number of FP database tracking PSTs and the reason the PSTs are invoked. The number of tracking PSTs can be from 0 to 255. The reason the PSTs are invoked can be one of the following and only appears if there are one or more PSTs:

**AREAWRITE**

The PSTs are invoked by a write request for a specific area.

**MILESTONE**

The PSTs are invoked by milestone processing.

**THRESHOLD**

The PSTs are invoked by threshold write.

**CURRENT LOG VOLUME IN DATASPACE**

Current log volume in Fast Path tracking data space. This number can be from 0 to nnnnnnK, where K represents 1024 log records. The maximum possible number is 2000000K (two gigabytes). The number is rounded off to the nearest K.

**MAX LOG VOLUME IN DATASPACE**

Maximum log volume in Fast Path tracking data space. This number can be from 0 to nnnnnnK, where K represents 1024 log records. The maximum possible number is 2000000K (two gigabytes). The number is rounded off to the nearest K.

---

## /DISPLAY TRANSACTION

The /DISPLAY TRANSACTION command displays the class, priorities, queue counts, the number and size of output segments for a specified transaction code, and the number of regions the transaction is currently scheduled in, all on the first line. The next two indented lines show the PSB name associated with the transaction and the status. DFSCPIC is displayed as PSB name for CPI Communications driven transactions that have not issued a DL/I APSB call to allocate a PSB. Fast Path exclusive transaction codes only have the transaction code and class displayed. The queue counts are not shown because Fast Path processing bypasses the IMS message queues.

IMS Open Transaction Manager Access (OTMA) supports an architected format for the output from the /DISPLAY TRANSACTION command. The architected output is returned to the OTMA client, not to an IMS operator. See .

The TRANSACTION keyword parameter can be generic.

The status displayed can be one of the following:

- BAL
- DYNAMIC
- I/O PREV
- LOCK
- PSTOP
- PUR
- QERR
- SPND
- STOP
- TRA
- USTOP

for an explanation of the status.

/DISPLAY TRANSACTION also displays I/O prevention when a BMP program containing GSAM cannot complete scheduling.

Examples of using /DISPLAY TRANSACTION are shown in “Example 1 for /DISPLAY TRANSACTION Command” on page 346 and “Example 2 for /DISPLAY TRANSACTION Command” on page 346.

### QCNT

Specifies that global queue count information is to be displayed. If QCNT is not specified, local queue counts are displayed; when it is specified, no local queue counts are displayed.

IMS does not check that the specified name is a valid transaction in the IMS subsystem on which the command is entered.

The command /DISPLAY TRAN ALL QCNT displays all of the transactions on the shared queues with a global queue count. /DISPLAY TRAN ALL QCNT also displays an AFFINITY column which gives the IMS SYSID for transactions which have an affinity for a particular IMS system. This is valuable information particularly when there are multiple output lines for the same transaction name. See “Example 4 for /DISPLAY TRANSACTION Command” on page 347.

This keyword is only valid in a shared-queues environment.

---

**/DISPLAY UOR**

The `/DISPLAY UOR` command displays status information about IMS units of recovery (UORs) for protected resources on the RRS/MVS recovery platform.

If you specify the six-byte pseudo-token of the protected UOR (the *prtkn*), this command displays information about the requested UOR.

**ACTIVE**

Displays only active UORs.

**ALL**

Displays active and indoubt UORs. ALL is the default.

**INDOUBT**

Displays only UORs that were indoubt when they were terminated. Indoubt UORs identify residual work that needs resolution.

The output from the `/DISPLAY UOR` command consists of the following:

**ST** Status of the UOR, which can be one of the following:

- A** Active; work is inflight.
- B** Active; work is being backed out.
- C** Active; work is being committed.
- E** Active; work is in cleanup phase.
- I** Active; work is indoubt, awaiting phase 2 action.
- RI** Residual indoubt; indoubt UOR from a prior IMS execution or a dependent-region abend.

**P-TOKEN**

The IMS pseudo token, which can be used in subsequent commands to refer to this particular UOR. This token only displays for indoubt UORs (status RI). Use this token for subsequent `/DISPLAY UOR` and `/CHANGE UOR` commands.

**PSBNAME**

The IMS PSB scheduled for this UOR.

**RRS-URID**

The unique identifier for a protected unit of recovery (of which IMS work is part). RRS generates and maintains this data.

**IMS-RECTOKN**

The IMS recovery token that uniquely identifies the IMS portion of the UOR.

**LUWID**

The identifier of a work request across multiple distributed systems connected by LU 6.2 conversations. This data is only provided for `/DIS UOR ACTIVE` commands, and appears on a separate line of output.

**EID** The identifier of a work request across multiple connected distributed systems coordinated by the Encina toolkit. This data is only provided for `/DIS UOR ACTIVE` commands, and appears on a separate line of output.

**XID** X/Open identifier (XID). One possible work identifier for a distributed transaction used by a communications resource manager that uses X/Open distributed transaction processing model.

---

## /DISPLAY USER

The /DISPLAY USER command displays all the USER structures and USERIDs that match the parameter or attribute specified.

The USER parameter can be generic when the generic parameter specifies users that already exist.

The following information is displayed:

- The USER field shows the USER structure name. N/A appears for all static USERIDs signed on to static nodes.
- The USERID field The RACF USERID that was used to sign on to the node. N/A appears if a USER structure is not associated with a node. In that case, the USER structure exists to hold status or has messages inserted to it. If no messages or status exist, the USER structure is deleted at the next checkpoint.
- The node name appears if the user is allocated to a node or signed on to a node.
- The cumulative queue counts for enqueues, dequeues, and number of items still on the queue for the specified users is displayed. The cumulative counts include all LTERMs associated with the specified users, whether the LTERMs are allocated to a node or not.

For non-ISC static users, queue counts are displayed as N/A, since non-ISC static users are not associated with queues.

- STOPPED or ALLOC is displayed to show whether the user LTERMs are assigned to a node (ALLOC) or the user is stopped (STO).

USERIDs signed onto static nodes can only be used as parameters with the /DISPLAY USER command and the /SIGN ON command. USERIDs cannot be used as parameters with other commands that support the USER keyword.

“Attributes” are reserved parameters for the /DISPLAY USER command and cannot be used to name users. Any one attribute can be used with the USER keyword. Users are selected for display based on the attribute or attributes specified. The attribute display format is the same as the standard USER display. Attributes usually correspond to the conditions displayed for users.

Following is a list of the attributes that can be specified with the USER keyword:

- ALLOC
- CONVACT
- CONVHLD
- DEADQ
- EXCL
- MFST
- PRST
- RESP
- RESPINP
- STATIC
- STOPPED
- TEST



Explanations of the attributes can be found in Appendix G, "Status and Attributes for the /DISPLAY Command," on page 855.

The ALLOC status is followed by the nodename (in parentheses) to which the user is allocated or signed on to.

The use of DEADQ with the /DISPLAY USER command shows all users that have queues marked as dead letter queues. When all the messages are purged by the /DEQUEUE command, the DEADQ status is removed. After all the messages have been purged and the status removed, then the user structure is deleted at the next simple checkpoint.

Examples of using the /DISPLAY USER command are shown in:

- "Example 1 for /DISPLAY USER Command" on page 348
- "Example 2 for /DISPLAY USER Command" on page 349
- "Example 3 for /DISPLAY USER Command" on page 349
- "Example 4 for /DISPLAY USER RECOVERY Command" on page 350

### **AUTOLOGON**

Displays the current autologon information for the specified user. The autologon information can be changed dynamically with the /CHANGE command.

### **EMHQ**

Specifies that global queue count information on the Expedited Message Handler Queues (EMHQ) displays when both EMHQ and QCNT are specified. If EMHQ is specified, QCNT must also be specified. This keyword is only valid in a shared-queues environment.

### **QCNT**

Specifies that global queue count information displays. If QCNT is not specified, local queue counts are displayed; when it is specified, no local queue counts are displayed. If QCNT is specified and EMHQ is not, global queue count information on the shared message queues (MSGQ) displays.

IMS does not check if the specified name is a valid LTERM in the IMS subsystem on which the command is entered.

This command does not display queue counts for Fast Path output messages for the NODE unless EMHQ and QCNT are specified.

This keyword is only valid in a shared-queues environment.

### **RECOVERY**

The /DISPLAY NODE|USER RECOVERY command can be used to display the recovery values that pertain to the node or user. The recovery values may be displayed from the local control blocks, if available, or from values saved for the node or user in the Resource Manager, if resource information is being kept in Resource Manager, and the node or user is defined to have its status kept in Resource Manager. The recovery information displayed with this command are:

- IMS owner

The IMS ID (RSEname if an XRF system) of the IMS system that currently owns this resource. If the resource is not currently owned, this field will be displayed as NONE.

- Status Recovery Mode (SRM)

The scope of recovery for a resource, and from where the end-user significant status is maintained and recovered.

- End-user significant status

The following status are end-user significant status for nodes and users.

- Conversation
- STSN
- Fast Path

These are status that frequently change for a resource, and thus there are performance considerations related to maintaining end-user significant status. The installation can tell IMS how to recover end-user significant status by specifying the level of recovery for each status. Shown for each resource is the level of recovery for each end-user significant status.

## Examples

The following are examples of the /DISPLAY command.

### Examples for /DISPLAY ACTIVE Command

The following are examples of the /DISPLAY ACTIVE command.

#### Example 1 for /DISPLAY ACTIVE Command

Entry ET:

```
/DISPLAY ACTIVE
```

Response ET:

REGID	JOBNAME	TYPE	TRAN/STEP	PROGRAM	STATUS	CLASS
	MSGRGN	TP	NONE			
	BATCHREG	BMP	NONE			
	FPRGN	FP	NONE			
	DBTRGN	DBT	NONE			
1	IMSMPP0	TPE	DSN8PS	DSN8IP13		1, 3
	BATCHREG	BMP	NONE			
	FPRGN	FP	NONE			
	DBR3CTA3	DBRC				
	DLI3CTA3	DLS				
VTAM ACB OPEN			-LOGONS ENABLED			
LINE	ACTIVE-IN	-	1	ACTIV-OUT	-	0
NODE	ACTIVE-IN	-	0	ACTIV-OUT	-	4
LINK	ACTIVE-IN	-	0	ACTIV-OUT	-	0

\*89041/163619\*

#### Example 2 for /DISPLAY ACTIVE Command

Entry ET:

```
/DISPLAY A
```

Response ET:

REGID	JOBNAME	TYPE	TRAN/STEP	PROGRAM	STATUS	CLASS
1	I3YMP	TP			WAITING	4, 1, 2, 3
	BATCHREG	BMP	NONE			
	FPRGN	FP	NONE			
	DBRC	DBRC				
VTAM ACB CLOSED						
LINE	ACTIVE-IN	-	1	ACTIV-OUT	-	0
NODE	ACTIVE-IN	-	0	ACTIV-OUT	-	0

\*89041/100117\*

#### Example 3 for /DISPLAY ACTIVE Command

Entry ET:

```
/DISPLAY A
```

Response ET:

```

REGID JOBNAME  TYPE  TRAN/STEP  PROGRAM  STATUS          CLASS
   2 I431MPP    TP    SKS7      DFSDDL7          1, 3, 6, 7
   3 IMS1BMP    BMP    REGION    SIS04P01
   1 I431IFP    FPM    TXCDRN07  DDLTRN07
      R3        DBRC
VTAM ACB OPEN          -LOGONS ENABLED
LINE ACTIVE-IN - 2  ACTIV-OUT - 0
NODE ACTIVE-IN - 0  ACTIV-OUT - 0
LINK ACTIVE-IN - 0  ACTIV-OUT - 0
*89041/144425* DFSRSENM ACTIVE

```

Explanation: The system is XRF capable so the date time stamp includes the RSE name and system indicator.

#### Example 4 for /DISPLAY ACTIVE Command

Entry ET:

```
/DISPLAY A
```

Response ET:

```

REGID JOBNAME  TYPE  TRAN/STEP  PROGRAM  STATUS          CLASS
   1 I431MPP    TP    TXCDRN18  DDLTRN18  WAIT-INPUT      1, 3, 6, 7
      BATCHREG  BMP    NONE
   2 I431IFP    FPM    NO MSG.    DDLTRN07
      R3        DBRC
VTAM ACB OPEN          -LOGONS ENABLED
LINE ACTIVE-IN - 1  ACTIV-OUT - 0
NODE ACTIVE-IN - 0  ACTIV-OUT - 0
LINE ACTIVE-IN - 0  ACTIV-OUT - 0
*89041/132348* DFSRSENM ACTIVE

```

Explanation: Transaction TXCDRN18 is waiting for an input message. Program DDLTRN07 currently has no messages to process. Region 1 is in WAIT-FOR-INPUT (WFI) mode.

#### Example 5 for /DISPLAY ACTIVE Command

Entry ET:

```
/DISPLAY A
```

Response ET:

```

REGID JOBNAME  TYPE  TRAN/STEP  PROGRAM  STATUS          CLASS
   2 I431MPP    TP    SKS7      DFSDDL7  WAIT-MESSAGE    1, 3, 6, 7
   3 IMS1BMP    BMP    REGION    SIS04P01
   1 I431IFP    FPM    TXCDRN07  DDLTRN07
      R3        DBRC
VTAM ACB OPEN          -LOGONS ENABLED
LINE ACTIVE-IN - 2  ACTIV-OUT - 0
NODE ACTIVE-IN - 0  ACTIV-OUT - 0
LINK ACTIVE-IN - 0  ACTIV-OUT - 0
*89041/144425* DFSRSENM ACTIVE

```

Explanation: Transaction SKS7 is waiting for an input message. Program DFSDDL7 currently has no messages to process. Region 2 is in Pseudo Wait-For-Input (PWFI) mode.

#### Example 6 for /DISPLAY ACTIVE Command

Entry ET:

```
/DISPLAY A
```

Response ET:

```

** SUBSYSTEM NAME **
  SYS3
REGID JOBNAME TYPE TRAN/STEP PROGRAM STATUS CLASS
  2 I431MPP TP SKS7 DFSDDLT7 WAIT-MESSAGE 1,3,6,7
  3 IMS1BMP BMP REGION SIS04P01
  1 I431IFP FPM TXCDRN07 DDLTRN07
    R3 DBRC
VTAM ACB OPEN -LOGONS ENABLED
LINE ACTIVE-IN- 2 ACTIV-OUT- 0
NODE ACTIVE-IN- 0 ACTIV-OUT- 0
LINK ACTIVE-IN- 0 ACTIV-OUT- 0
*89041/144425* DFSRSENM ACTIVE

```

Explanation: Transaction SKS7 is waiting for an input message. Program DFSDDLT7 currently has no messages to process. Region 2 is in Pseudo Wait-For-Input (WPMI) mode.

### Example 7 for /DISPLAY ACTIVE Command

Entry ET:

```
/DISPLAY ACTIVE
```

Response ET:

```

REGID JOBNAME TYPE TRAN/STEP PROGRAM STATUS CLASS
  1 IMSMPPA TPI TPN1 DFSCPIC WAIT-BLOCKMOVER 20, 22, 24, 26
  2 IMSMPPB TPI TPN2 DFSCPIC 21, 23, 25, 22
  3 IMSMPPC TP TPN3 SAAPSB1 28, 29, 24, 23
  4 IMSMPPD TPI TPN4 DFSCPIC WAIT-SYNCPOINT 14, 15, 16, 17
  4 IMSMPPE TP TRAN1 LU2PGMA WAIT-INPUT 2, 4, 6, 8
  5 IMSMPPE TP TRAN2 LU2PGMA 1, 3, 5, 7
VTAM ACB OPEN / APPC LUNAME=IMSLUNME ENABLED -LOGONS ENABLED
LINE ACTIVE-IN - 2 ACTIV-OUT - 0
NODE ACTIVE-IN - 0 ACTIV-OUT - 0
LINK ACTIVE-IN - 0 ACTIV-OUT - 0
*90332/114253*

```

### Example 8 for /DISPLAY ACTIVE Command

Entry ET:

```
/DISPLAY ACTIVE
```

Response ET:

```

REGID JOBNAME TYPE TRAN/STEP PROGRAM STATUS CLASS
  MSGRGN TP NONE
  BATCHREG BMP NONE
  FPRGN FP NONE
  DBTRGN DBT NONE
  DBRSCHA5 DBRC
  DLISCHA5 DLS
VTAM ACB OPEN -LOGONS DISABLED
IMSLU=N/A.N/A APPC STATUS=DISABLED TIMEOUT= 0
APPLID=APPL8 USERVAR=IMS1
LINE ACTIVE-IN - 1 ACTIV-OUT - 0
NODE ACTIVE-IN - 0 ACTIV-OUT - 0
LINK ACTIVE-IN - 0 ACTIV-OUT - 0
*95080/183050* DFSRSENM ACTIVE

```

Explanation: The IMS subsystem is both XRF-capable and RSR-capable.

### Example 9 for /DISPLAY ACTIVE Command

Entry ET:

```
/DISPLAY ACTIVE
```

Response ET:

```

REGID JOBNAME  TYPE  TRAN/STEP  PROGRAM  STATUS      CLASS
   1 IMSMPPA   TP      REGION    SIS04P01  WAITING     4, 1, 2
   2 IMS1BMP   BMP      REGION    SIS04P01  WAIT-AOI
   4 IMS2BMP   BMP      REGION    SIS04P02  WAIT-AOI
   3 I510MPP   TP              WAIT-EPCB POOL  8, 8, 8, 8
   2 IMS3BMP   BMP              WAIT-EPCB POOL

      FPRGN   FP   NONE
      DBRC   DBRC
VTAM ACB CLOSED
LINE ACTIVE-IN - 1 ACTIV-OUT - 0
NODE ACTIVE-IN - 0 ACTIV-OUT - 0
*96280/095345*
    
```

**Example 10 for /DISPLAY ACTIVE Command**

Entry ET:

```
/DISPLAY ACTIVE DC
```

Response ET:

```

VTAM STATUS AND ACTIVE DC COUNTS
VTAM ACB OPEN          -LOGONS ENABLED
LINE ACTIVE-IN - 1 ACTIV-OUT - 0
NODE ACTIVE-IN - 1 ACTIV-OUT - 0
LINK ACTIVE-IN - 1 ACTIV-OUT - 0
*89041/110704*
    
```

**Example 11 for /DISPLAY ACTIVE Command**

Entry ET:

```
/DISPLAY ACTIVE DC
```

Response ET:

```

VTAM STATUS AND ACTIVE DC COUNTS
VTAM ACB OPEN          -LOGONS ENABLED
IMSLU=SYS1.IMSLUNME    STATUS=ENABLED
APPLID=APPL8          USERVAR=IMS1
LINE ACTIVE-IN - 2 ACTIV-OUT - 0
NODE ACTIVE-IN - 0 ACTIV-OUT - 0
LINK ACTIVE-IN - 0 ACTIV-OUT - 0
*92232/114253*
    
```

**Example 12 for /DISPLAY ACTIVE Command**

Entry ET:

```
/DISPLAY ACTIVE DC
```

Response ET:

```

VTAM STATUS AND ACTIVE DC COUNTS
VTAM ACB CLOSED          -APPLID ACB
VTAM ACB OPEN          -LOGONS ENABLED -MNPS ACB
IMSLU=N/A.N/A          APPC STATUS=DISABLED TIMEOUT= 0
OTMA GROUP=N/A          STATUS=NOTACTIVE
APPC/OTMA SHARED QUEUE STATUS - LOCAL=INACTIVE GLOBAL=INACTIVE
APPC/OTMA RRS MAX TCBS - 2 ATTACHED TCBS - QUEUED SENDS - 0 N
APPLID=APPL8          GRSNAME=          STATUS=DISABLED MNPS=APPL1
LINE ACTIVE-IN - 1 ACTIV-OUT - 0
NODE ACTIVE-IN - 0 ACTIV-OUT - 0
LINK ACTIVE-IN - 0 ACTIV-OUT - 0
*03069/143346* DFSRSENM ACTIVE
    
```

Explanation: An XRF system is using MNPS. The MNPS ACB is APPL1 which is open and is accepting logons. The APPLID ACB is APPL8, but it is closed.

**Example 13 for /DISPLAY ACTIVE Command**

Entry ET:

/DISPLAY ACTIVE REGION

Response ET:

REGID	JOBNAME	TYPE	TRAN/STEP	PROGRAM	STATUS	CLASS
	MSGRGN	TP	NONE			
	BATCHREG	BMP	NONE			
	FPRGN	FP	NONE			
	DBGCTAN	DBRC	NONE			

\*89041/102934\*

**Example for /DISPLAY AFFINITY Command**

Entry ET:

/DISPLAY AFFIN NODE NDSLUA1

Response ET:

NODE	APPLID
NDSLUA1	APPL9

\*97098/162106\*

Explanation: The node has an affinity for APPL ID APPL9.

Entry ET:

/DISPLAY AFFIN NODE LU37722

Response ET:

NODE	APPLID
LU37722	N/A

\*97098/162156\*

Explanation: The node has no affinities.

**Example for /DISPLAY AOITOKEN Command**

Entry ET:

/DISPLAY AOITOKEN

Response ET:

AOITOKEN	ENQCT	QCT	SEGS	W-REGID
AOITOKN1	4	2	12	NONE
AOITOKN2	0	0	0	2,4
AOITOKN3	1	0	0	NONE
AOITOKN4	1000000000	1000000000	2147483647	NONE

\*92280/095345\*

**Example for /DISPLAY APPC Command**

Entry ET:

/DISPLAY APPC

Response ET:

IMSLU	#APPC-CONV	SECURITY	STATUS	DESIRED
IMSLUNME	0	FULL	ENABLED	ENABLED

\*90347/114253\*

Entry ET:

/DISPLAY APPC

Response ET:

```

IMSLU      #APPC-CONV SECURITY STATUS  DESIRED
IMSLUNME   0 FULL      DISABLED ENABLED
*90347/114253*
    
```

Entry ET:  
/DISPLAY APPC

Response ET:

```

IMSLU      #APPC-CONV SECURITY STATUS  DESIRED
SYS1.IMSLUNME 0 FULL      STOPPED  STOPPED
*92232/114253*
    
```

## Examples for /DISPLAY AREA Command

The following are examples of the /DISPLAY AREA command.

### Example 1 for /DISPLAY AREA Command

Entry ET:

/DIS AREA db21ar1 db21ar3 db21ar6 IOVF

Response ET:

AREANAME	EQECT	TOTAL UNUSED	TOTAL UNUSED	DBNAME	EEQECT	CONDITIONS
DDNAME	REMAIN	SEQ DEPENDENT	DIR ADDRESSABLE			
DB21AR1	N/A	13	11	74	74-CI DEDBJN21 999	VIR, PREO, PREL
DB21AR1	10	N/A	N/A	N/A	N/A	
DB21AR1B	10	N/A	N/A	N/A	N/A	
DB21AR1C	10	N/A	N/A	N/A	N/A	
DB21AR3	N/A	13	11	74	56-CI DEDBJN21	PREO
DB21AR3	10	N/A	N/A	N/A	N/A	
DB21AR3B	10	N/A	N/A	N/A	N/A	
DB21AR6	N/A	17	15	74	56-CI DEDBJN21	
DB21AR6	10	N/A	N/A	N/A	N/A	

\*93076/173254\*

Explanation: DIR ADDRESSABLE means Independent Overflow part.

### Example 2 for /DISPLAY AREA Command

Entry ET:

/DIS AREA ALL

Response ET:

AREANAME	EQECT	TOTAL UNUSED	TOTAL UNUSED	DBNAME	EEQECT	CONDITIONS
DDNAME	REMAIN	SEQ DEPENDENT	DIR ADDRESSABLE			
DB21AR0	N/A	17	15	74	N/A	DEDBJN21 999
DB21AR0	10	N/A	N/A	N/A	N/A	
DB21AR1	N/A	13	11	74	N/A	DEDBJN21
DB21AR1	10	N/A	N/A	N/A	N/A	
DB21AR1B	10	N/A	N/A	N/A	N/A	
DB21AR1C	10	N/A	N/A	N/A	N/A	
DB21AR10	N/A	17	15	74	N/A	DEDBJN21
DB21AR10	10	N/A	N/A	N/A	N/A	
DB21AR11	N/A	133	131	74	N/A	DEDBJN21
DB21AR11	10	N/A	N/A	N/A	N/A	
DB21AR2	N/A	19	17	74	0-UW	DEDBJN21
UTILITY:	HSRE	PVTTOT#	45	PVTAVL#	15	
DB21AR2	10	N/A	N/A	N/A	N/A	
DB21AR3	N/A	13	11	74	N/A	DEDBJN21

DB21AR3	10	N/A	N/A	N/A	N/A	N/A		
DB21AR3B	10	N/A	N/A	N/A	N/A	N/A		
DB21AR4	N/A	N/A	N/A	N/A	N/A	N/A	DEDBJN21	STOPPED, NOTOPEN
DB21AR5	N/A	N/A	N/A	N/A	N/A	N/A	DEDBJN21	STOPPED, NOTOPEN
DB21AR6	N/A	N/A	N/A	N/A	N/A	N/A	DEDBJN21	STOPPED, NOTOPEN
DB21AR7	N/A	N/A	N/A	N/A	N/A	N/A	DEDBJN21	NOTOPEN
DB21AR8	N/A	N/A	N/A	N/A	N/A	N/A	DEDBJN21	NOTOPEN
DB21AR9	N/A	N/A	N/A	N/A	N/A	N/A	DEDBJN21	NOTOPEN
*93076/173254*								

Explanation: DIR ADDRESSABLE means Independent Overflow part.

### Example 3 for /DISPLAY AREA Command

Entry ET:

/DIS AREA db11ar4

Response ET:

AREANAME	EQECT	TOTAL	UNUSED	TOTAL	UNUSED	DBNAME	EQECT	CONDITIONS
DDNAME	REMAIN	SEQ	DEPENDENT	DIR	ADDRESSABLE			
DB21AR4	N/A	N/A	N/A	N/A	N/A	DEDBJN21	999	STOPPED, NOTOPEN, RECOVERY
*97136/173254*								

Explanation: RECOVERY means this Fast Path area is undergoing recovery with the Online Recovery Service.

### Example 4 for /DISPLAY AREA

Entry ET:

/DIS AREA DB21AR0

Response ET:

DFS000I	AREANAME	EQECT	TOTAL	UNUSED	TOTAL	UNUSED	DBNAME	EEQECT	CONDITIONS	SYS3
DFS000I	DDNAME	REMAIN	SEQ	DEPENDENT	DIR	ADDRESSABLE				
DFS000I	DB21AR0	N/A	29	28	74	0-UW	DEDBJN21	0	VIR, PREO, PREL	SYS3
DFS000I	UTILITY:	HSSP	PVTTOT#	45	PVTAVL#	30	IMSID: IMS2			SYS3
DFS000I	DB21AR01	10	N/A	N/A	N/A	N/A	N/A			SYS3
DFS000I	DB21AR02	10	N/A	N/A	N/A	N/A	N/A			SYS3
DFS000I	DB21AR03	10	N/A	N/A	N/A	N/A	N/A			SYS3

Explanation: The IMS Fast Path utility, HSSP, is active on IMSID=IMS2.

## Examples for /DISPLAY ASSIGNMENT Command

The following are examples of the /DISPLAY ASSIGNMENT command.

### Example 1 for /DISPLAY ASSIGNMENT Command

Entry ET:

/DISPLAY ASSIGNMENT LINE 2 PTERM ALL

Response ET:

```

TERMINAL
  2- 1 IN - L2740S2
      OUT - L2740S1, L2740S2
*90295/130910*

```

Entry ET:

/DISPLAY ASSIGNMENT LINE 4 PTERM 1, 2

Response ET:



```

TERMINAL
  4- 1 IN - L2740SM1
        OUT- L2740SM1
  4- 2 IN - L2740SM2
        OUT- L2740SM2
*90295/130328*

```

Entry ET:

```
/DISPLAY ASSIGNMENT LINK ALL
```

Response ET:

```

LINK PLINK   SIDR SIDL MSNAME
  1 BLCB1CTC   1    4 SYSTEM2A
                1    5 SYSTEM2B
                3    6 FRESNO
  2 BLCB2BSC  21   23 BOSTON
                22   24 ALBANY
  3 BLCB1MTM  19   20 TEST1
*90280/072935*

```

Entry ET:

```
/DISPLAY ASSIGNMENT LTERM DIALQ1 INQUIRY1 L2740S1 MASTER WTOR
```

Response ET:

```

LTERM   IN-TERMINAL  OUT-TERMINAL  USER
DIALQ1   11-    1      11-    1
INQUIRY1  5-    1      5-    1
L2740S1  3-    1      3-    1
MASTER   3-    1      3-    1
WTOR     1-    SC    1-    SC
*90295/130657*

```

Entry ET:

```
/DISPLAY ASMT LTERM L1 L2 L3
```

Response ET:

```

LTERM   IN-TERMINAL  OUT-TERMINAL  USER
L1      14-    1      14-    1
L2      NODEA  -1   NODEA  -1   A
L3      N/A   -1   N/A   -1   B
*90231/143059*

```

Entry ET:

```
/DISPLAY ASSIGNMENT LTERM ALL
```

Response ET:

```

LTERM   IN-TERMINAL  OUT-TERMINAL  USER
CRDPUNCH 14-    1      14-    1
DIALQ1   11-    1      11-    1
DIALQ2   12-    1      12-    1
DIALQ3   13-    1      13-    1
INQUIRY1  5-    1      5-    1
INQUIRY2  6-    1      6-    1
INQUIRY3  7-    1      7-    1
INQUIRY4  8-    1      8-    1
INQUIRY5  9-    1      9-    1
INQUIRY6 10-    1     10-    1
L2740SM1  4-    1      4-    1
L2740SM2  4-    2      4-    2
L2740S1   3-    1      3-    1
L2740S2   2-    1      2-    1

```

```

MASTER      3-  1    3-  1
PTPPUNCH   14-  1   14-  1
WS12DS     WS12- 1  WS12- 1
WTOR       1-   SC   1-   SC
*90295/160953*
    
```

Entry ET:

```
/DISPLAY ASSIGNMENT LTERM ALL
```

Response ET:

LTERM	IN-TERMINAL	OUT-TERMINAL	USER
CRDPUNCH	14- 1	14- 1	
DIALQ1	11- 1	11- 1	
DIALQ2	12- 1	12- 1	
DIALQ3	13- 1	13- 1	
INQUIRY1	5- 1	5- 1	
INQUIRY2	6- 1	6- 1	
INQUIRY3	7- 1	7- 1	
INQUIRY4	8- 1	8- 1	
INQUIRY5	9- 1	9- 1	
INQUIRY6	10- 1	10- 1	
L2740SM1	4- 1	4- 1	
L2740SM2	4- 2	4- 2	
L2740S1	3- 1	3- 1	
L2740S2	2- 1	2- 1	
MASTER	3- 1	3- 1	
PTPPUNCH	14- 1	14- 1	
WS12DS	WS12- 1	WS12- 1	
WTOR	1- SC	1- SC	

\*90295/160953\*

Entry ET:

```
/DISPLAY ASSIGNMENT MSNAME ALL
```

Response ET:

LINK	PLINK	SIDR	SIDL	MSNAME	IMS1
	N/A	32	3	LINK23B4	IMS1
10	PLNK12V	20	10	LINK12V1	IMS1
	N/A	35	3	LINK23U2	IMS1
	N/A	28	3	ELINK211	IMS1
1	PLNK12V	31	11	LINK13B3	IMS1
10	PLNK12V	266	2036	LINK13V	IMS1
10	PLNK12V	256	1012	LINK12V	IMS1
2	PLNK12C	33	13	LINK13C2	IMS1
10	PLNK12V	80	300	LINK13X	IMS1
11	PLNK12V	40	9	LINK12V2	IMS1
3	PLNK12M	34	14	LINK13M2	IMS1
12	PLNK13V	38	18	LINK13V2	IMS1
7	N/A	43	44	ELINK124	IMS1
	N/A	36	3	LINK23V1	IMS1
1	PLNK12V	21	11	LINK12B1	IMS1
1	PLNK12V	22	12	LINK12B2	IMS1
10	PLNK12V	90	500	LINK12Y	IMS1
5	N/A	26	16	ELINK120	IMS1
1	PLNK12V	32	12	LINK13B4	IMS1
	N/A	8	3	LINK21V3	IMS1
6	N/A	51	41	ELINK1MS	IMS1
3	PLNK12M	24	14	LINK12M1	IMS1
	N/A	266	3	LINK23V	IMS1
4	N/A	35	15	LINK13U2	IMS1
	N/A	31	3	LINK23B3	IMS1
	N/A	43	3	ELINK224	IMS1
	N/A	80	3	LINK23X	IMS1
	N/A	37	3	LINK23V2	IMS1

```

6 N/A      27 17 ELINK121  IMS1
  N/A      33  3 LINK23C2  IMS1
4 N/A      25 15 LINK12U1  IMS1
  N/A      34  3 LINK23M2  IMS1
5 N/A      29 19 ELINK122  IMS1
  N/A      29  3 ELINK222  IMS1
2 PLNK12C  23 13 LINK12C1  IMS1
10 PLNK12V 36 16 LINK13V1  IMS1
7 N/A      42 45 ELINK123  IMS1
16 LKV1TSTB 93  3 PTH3TSTB  IMS1
*97258/170244*
    
```

Entry ET:

```
/DISPLAY ASSIGNMENT MSPLINK ALCB3MTM
```

Response ET:

```

LINK PLINK  TYPE ADDR  MAXSESS  NODE
  3 ALCB3MTM MTM  ****
*90280/072754*
    
```

Entry ET:

```
/DISPLAY ASMT NODE NLU1 NLUT6S NLUT6P
```

Response ET:

```

NODE      USER
NLU1              IN -L1      , L2
              OUT-L2     , L1
NLUT6S          IN -L3
              OUT-L3
NLUT6P  A        IN -L5      , L6
NLUT6P  N/A      IN -NONE
              OUT-NONE
NLUT6P  C        IN -L7
              OUT-L7
*90229/083059*
    
```

Entry ET:

```
/DISPLAY ASMT NODE NLUT6P USER C
```

Response ET:

```

NODE      USER
NLUT6P  C        IN -L7
              OUT-L7
*90229/083059*
    
```

Entry ET:

```
/DISPLAY ASSIGNMENT NODE ALL
```

Response ET:

```

NODE      USER
CT3275          IN -VT3275  , VT3275P
              OUT-VT3275 , VT3275P
CT3277A          IN -VT3270A
              OUT-VT3270A
CT3277B          IN -VT3270B
              OUT-VT3270B
CT3277C          IN -VT3270C
              OUT-VT3270C
CT3277D          IN -VT3270P1
              OUT-VT3270P1
CT3277E          IN -VT3270P2
    
```

```

          OUT-VT3270P2
L3270A   IN -VT3270L1
          OUT-VT3270L1
L3270B   IN -VT3270L2
          OUT-VT3270L2
L3284A   IN -VT3270P3
          OUT-VT3270P3
W612     IN -W610JP , W610D6 , W610FP
          OUT-W610D6 , W610FP , W610JP
W613     IN -W620JP , W620D6 , W620PB , W620M6
          OUT-W620D6 , W620JP , W620M6 , W620PB
FCBOX1   IN -W6CIT
          OUT-W6CIT
*90295/091334*

```

Entry ET:

```
/DISPLAY ASMT USER A B C D
```

Response ET:

```

USER    ID      NODE
A       CICSA   NLUT6P  I/O- L1      , L2
B
C       CICSB   NLUT6P  I/O- L4
D
          I/O- NONE
*90229/083059*

```

Entry ET:

```
/DISPLAY ASSIGNMENT SYSID ALL
```

Response ET:

```

LINK PLINK  SIDR SIDL MSNAME
  1 BLCB1CTC  1   4 SYSTEM2A
  1 BLCB1CTC  2   5 SYSTEM2B
  1 BLCB1CTC  3   6 FRESNO
  3 BLCB1MTM 19  20 TEST1
  2 BLCB2BSC 21  23 BOSTON
  2 BLCB2BSC 22  24 ALBANY
*90280/072821*

```

Entry ET:

```
/DISPLAY ASSIGNMENT SYSID ALL
```

Response ET:

```

LINK PLINK  SIDR SIDL MSNAME  IMS1
  N/A      8   3 LINK21V3  IMS1
  N/A     28   3 ELINK211  IMS1
  5 N/A    29  19 ELINK122  IMS1
  1 PLNK12V 31  11 LINK13B3  IMS1
  1 PLNK12V 32  12 LINK13B4  IMS1
  2 PLNK12C 33  13 LINK13C2  IMS1
  3 PLNK12M 34  14 LINK13M2  IMS1
  4 N/A    35  15 LINK13U2  IMS1
 10 PLNK12V 36  16 LINK13V1  IMS1
  N/A    37   3 LINK23V2  IMS1
 12 PLNK13V 38  18 LINK13V2  IMS1
  7 N/A    43  44 ELINK124  IMS1
  6 N/A    51  41 ELINK1MS  IMS1
 10 PLNK12V 80  300 LINK13X  IMS1
 10 PLNK12V 266 2036 LINK13V  IMS1
*97258/170653*

```

Entry ET:

```
/DISPLAY ASSIGNMENT SYSID 22 23 24
```

Response ET:

```
LINK PLINK SIDR SIDL MSNAME
  2 BLCB2BSC 22 24 ALBANY
  23 IS LOCAL
  24 IS LOCAL
*90280/072902*
```

### Example 2 for /DISPLAY ASSIGNMENT Command

Entry ET:

```
/DIS ASMT USER IMSUS01 IMSUS02
```

Response ET:

```
USER USERID ID NODE
IMSUS01 IMSUS01 DTSLU201 I/O- IMSUS01
N/A IMSUS01 L3270A I/O- T3270LA
N/A IMSUS02 L3270B I/O- T3270LB
DT327002 IMSUS02 DT327002 I/O- DT327002
*92350/112229*
```

Entry ET:

```
/DIS ASMT USER IMSUS01*
```

Response ET:

```
USER USERID ID NODE
IMSUS01C N/A I/O- NONE
IMSUS01D N/A I/O- NONE
IMSUS01 IMSUS01 DTSLU201 I/O- IMSUS01
N/A IMSUS01 L3270A I/O- T3270LA
*92350/113904*
```

Entry ET:

```
/DIS ASMT USER ALL
```

Response ET:

```
USER USERID ID NODE
CA13 I/O- CA1SP3T1, CA1SP3T2
IMSUS01C N/A I/O- NONE
IMSUS01D N/A I/O- NONE
LU6SPA N/A LU6NDPF I/O- LU6LTPA1
LU6SPB N/A I/O- LU6LTPB1, LU6LTPB2
DT327002 IMSUS02 DT327002 I/O- DT327002
IMSUS03 IMSUS03 DTSLU601 I/O- IMSUS03
IMSUS01 IMSUS01 DTSLU201 I/O- IMSUS01
IMSUS05 N/A I/O- NONE
N/A IMSUS02 L3270B I/O- T3270LB
N/A IMSUS01 L3270A I/O- T3270LA
N/A IMSUS04 L3270C I/O- T3270LC
*92350/114845*
```

## Examples for /DISPLAY CCTL Command

The following are examples of the /DISPLAY CCTL command.

### Example 1 for /DISPLAY CCTL Command

Entry ET:

```
/DISPLAY CCTL
```

Response ET:

```

CCTL          STATUS
CICS1
*89067/114857*

```

**Example 2 for /DISPLAY CCTL Command**

Entry ET:

/DISPLAY CCTL ALL

Response ET:

CCTL	PSEUDO-RTKN	RECOVERY-TOKEN	REGID	PSBNAME	STATUS
CICS1					ATTACHED
		0000000000000000	3		AVAILABLE
		0000000000000000	2		AVAILABLE
		0000000000000000	1		AVAILABLE

\*89067/113236\*

**Example 3 for /DISPLAY CCTL Command**

Entry ET:

/DISPLAY CCTL CICS1

Response ET:

CCTL	PSEUDO-RTKN	RECOVERY-TOKEN	REGID	PSBNAME	STATUS
CICS1					ATTACHED
		9FFA9568FF594301	3	BMP255	ACTIVE
		9FFA956B7AE24E00	2	BMP255	ACTIVE
		0000000000000000	1		AVAILABLE

\*89067/113251\*

**Example 4 for /DISPLAY CCTL Command**

Entry ET:

/DISPLAY CCTL CICS1 ACTIVE

Response ET:

CCTL	PSEUDO-RTKN	RECOVERY-TOKEN	REGID	PSBNAME	STATUS
CICS1					ATTACHED
		9FFA967C26D69802	2	BMP255	ACTIVE
		9FFA967ACF9EB802	1	BMP255	ACTIVE

\*89067/114557\*

**Example 5 for /DISPLAY CCTL Command**

Entry ET:

/DISPLAY CCTL CICS1 INDOUBT

Response ET:

CCTL	PSEUDO-RTKN	RECOVERY-TOKEN	REGID	PSBNAME	STATUS
CICS1					ATTACHED
	000100C0	9FFA956B7AE24E00		BMP255	INDOUBT
	00010040	9FFA9568FF594301		BMP255	INDOUBT

\*89067/113413\*

**Example for /DISPLAY CONVERSATION Command**

Entry ET:

/DISPLAY CONVERSATION

Response ET:

```

TERMINAL USER  ID STATUS
NO CONVERSATIONS
*91113/182917*

```

Entry ET:

/DISPLAY CONVERSATION

Response ET:

TERMINAL	USER	ID	STATUS
11-	2	0001	HELD
4-	2	0002	ACTIVE, SCHEDULED
11-	4	0001	HELD
2-	1	0001	HELD
5-	1	0002	ACTIVE

\*91115/135706\*

Entry ET:

/DISPLAY CONVERSATION

Response ET:

TERMINAL	USER	ID	STATUS
LUNAME1	USERID1	0001	ACTIVE
DT327001	IMSUS01	0005	ACTIVE
LUNAME2		0002	ACTIVE, SCHEDULED
LUNAME3	USERID4	0003	ACTIVE, SCHEDULED
LUNAME1	USERID4	0004	SCHEDULED

\*90332/114253\*

Entry ET:

/DISPLAY CONVERSATION BUSY

Response ET:

TERMINAL	USER	ID	STATUS
NO BUSY CONVERSATIONS			

\*91113/182959\*

Entry ET:

/DISPLAY CONVERSATION BUSY

Response ET:

TERMINAL	USER	ID	STATUS
2-	1	0001	ACTIVE, SCHEDULED
4-	2	0010	ACTIVE, SCHEDULED
4-	1	0011	ACTIVE, SCHEDULED

\*91113/192021\*

Entry ET:

/DISPLAY CONVERSATION BUSY LINE 4 PTERM ALL

Response ET:

TERMINAL	USER	ID	STATUS
4-	2	0001	ACTIVE, SCHEDULED
4-	1	0002	ACTIVE, SCHEDULED

\*91113/192101\*

Entry ET:

/DISPLAY CONVERSATION BUSY

Response ET:

TERMINAL	USER	ID	STATUS
NETWORK1.LUNAME1	USERID1	0001	ACTIVE
DT327001	IMSUS01	0005	ACTIVE

```
|
|          NID2.LUNAME2          0002 ACTIVE,SCHEDULED
|          LUNAME3              USERID4 0003 ACTIVE,SCHEDULED
|          NETWORK1.LUNAME1     USERID5  0004 ACTIVE
|          *92232/114253*
```

```
|
| Entry ET:
|          /DISPLAY CONVERSATION HELD
```

```
|
| Response ET:
|          TERMINAL USER  ID STATUS
|          NO HELD CONVERSATIONS
|          *91113/183022*
```

```
|
| Entry ET:
|          /DISPLAY CONVERSATION HELD NODE NSLUTP6
```

```
|
| Response ET:
|          TERMINAL USER  ID STATUS
|          NSLUTP6 SPOOLA 0007 HELD
|          NSLUTP6 SPOOLC 000A HELD
|          *91113/183033*
```

### Example for /DISPLAY CQS Command

```
Entry ET:
  /DISPLAY CQS
```

```
Response ET:
  JOBNAME  VERS#  STATUS
  CQS1     1.1    CONNECTED
  *95200/170817*
```

Explanation: IMS is connected to the Common Queue Server, CQS1.

### Examples for /DISPLAY DATABASE Command

The following are examples of the /DISPLAY DATABASE command.

#### Example 1 for /DISPLAY DATABASE Command

```
Entry ET:
  /DISPLAY DATABASE ALL
```

```
Response ET:
  DATABASE  TYPE  TOTAL UNUSED  TOTAL UNUSED  ACC  CONDITIONS
  DD41M702  DL/I
  DD41M803  DL/I
  DEDBJN21  DEDB   SEQ DEPEND  DIRECT  ADDRES  EX  NOTOPEN
  DB21AR0   AREA  N/A  N/A  N/A  N/A  NOTOPEN
  DB21AR1   AREA  N/A  N/A  N/A  N/A  NOTOPEN
  DB21AR2   AREA  N/A  N/A  N/A  N/A  NOTOPEN
  DB21AR3   AREA  N/A  N/A  N/A  N/A  NOTOPEN
  DB21AR4   AREA  N/A  N/A  N/A  N/A  NOTOPEN
  DB21AR5   AREA  N/A  N/A  N/A  N/A  NOTOPEN
  DB21AR6   AREA  N/A  N/A  N/A  N/A  NOTOPEN
  DB21AR7   AREA  N/A  N/A  N/A  N/A  NOTOPEN
  DB21AR8   AREA  N/A  N/A  N/A  N/A  NOTOPEN
  DB21AR9   AREA  N/A  N/A  N/A  N/A  NOTOPEN
  DB21AR10  AREA  N/A  N/A  N/A  N/A  NOTOPEN
  DB21AR11  AREA  N/A  N/A  N/A  N/A  NOTOPEN
  DEDBJN22  DEDB   SEQ DEPEND  DIRECT  ADDRES  EX  NOTOPEN
  DB22AR0   AREA  N/A  N/A  N/A  N/A  NOTOPEN
```



```

DB22AR1  AREA  N/A   N/A   N/A   N/A   NOTOPEN
DEDBJN23 DEDB  SEQ DEPEND DIRECT ADDRES EX  NOTOPEN
DB23AR0  AREA  N/A   N/A   N/A   N/A   NOTOPEN
DB23AR1  AREA  N/A   N/A   N/A   N/A   NOTOPEN
DIMSRN01 DL/I                                EX  NOTOPEN
DIMSRN02 DL/I                                EX  NOTOPEN
DIMSRN03 DL/I                                EX  NOTOPEN
*89184/142639*
    
```

Entry ET:

```
/DISPLAY DB DD41M803 BKERR
```

Response ET:

```

DATABASE
DD41M803
  ERROR DD  TYPE      BLOCK
  DD41M803  IOT      0000003F
*90135/161902*
    
```

Explanation: An I/O toleration error queue element exists for database DD41M803 on a newly created active system in an XRF environment.

Following an /UNLOCK SYSTEM command on the above system, the /DISPLAY DB DD41M803 BKERR command would yield the following display:

```

DATABASE
DD41M803
  NO EEQE OR INCOMPLETE BACKOUT INFORMATION AVAILABLE
*90135/163500*
    
```

### Example 2 for /DISPLAY DATABASE Command

Entry ET:

```
/DIS DB BE3ORDER BE3PARTS.
```

Response ET:

```

DATABASE  TYPE  TOTAL UNUSED  TOTAL UNUSED  ACC  CONDITIONS
BE3ORDER  DL/I                                EX  STOPPED, LOCK, NOTOPEN,
          RECALL
BE3PARTS  DL/I                                EX  NOTOPEN, RECALL
*94277/124039*
    
```

### Example 3 for /DISPLAY DATABASE Command

Entry ET:

```
/DIS DB RECALL.
```

Response ET:

```

DATABASE  TYPE  TOTAL UNUSED  TOTAL UNUSED  ACC  CONDITIONS
BE3ORDER  DL/I                                EX  STOPPED, LOCK, NOTOPEN,
          RECALL
BE3PARTS  DL/I                                EX  NOTOPEN, RECALL
IVPDB1    DL/I                                UP  STOPPED, LOCK, NOTOPEN,
          RECALL
IVPDB2    DL/I                                UP  NOTOPEN, RECALL
*94277/124119*
    
```

### Example 4 for /DISPLAY DATABASE Command

Entry ET:

```
/DISPLAY DATABASE DEDBJN21 BKERR
```

Response ET:

```

DATABASE
DEDBJN21
  ERROR DD  TYPE      BLOCK
  DB21AR0  IOT        00015000
  DB21AR0  IOT/VSO  00000001
  DB21AR1  IOT        00054000
  DB21AR1  IOT/VSO  00000001

```

Explanation: The /DIS DATABASE command with the BKERR keyword does not display individual RBAs for I/O tolerated non-SDEP CIs of a DEDB area defined with the Virtual Storage Option (VSO). Instead, a single entry with a value of 00000001 is displayed and the EEQE type is set to IOT/VSO. I/O tolerated SDEP CIs for the area are displayed individually by RBA.

### Example 5 for /DISPLAY DATABASE Command

Entry ET:

```
/DISPLAY DATABASE OFR
```

Response ET:

```

DATABASE  TYPE  TOTAL UNUSED  TOTAL UNUSED  ACC  CONDITIONS
BE2PCUST  DL/I
BE3ORDER  DL/I
BE3ORDRX  DL/I
BE3PARTS  DL/I
BE3PSID1  DL/I
*91240/132406*  SYS3

```

### Example 6 for /DISPLAY DATABASE Command

If a full function database data set is undergoing recovery with Online Recovery Service, the output of the /DISPLAY DATABASE command includes this information in the command response.

Entry ET:

```
/DISPLAY DATABASE DD41M702
```

Response ET:

```

DATABASE  TYPE  TOTAL UNUSED  TOTAL UNUSED  ACC  CONDITIONS
DD41M702  DL/I
*97184/142639*

```

### Example 7 for /DISPLAY DATABASE Command

Display the HALDB master for the PHIDAM database called PARTMAST.

Entry ET:

```
/DIS DB PARTMAST
```

Response ET:

```

DATABASE  TYPE  TOTAL UNUSED  TOTAL UNUSED  ACC  CONDITIONS
PARTMAST  PHIDAM
PART1     PART
PART2     PART
PART3     PART
*99166/092514*

```

### Example 8 for /DISPLAY DATABASE Command

Display the HALDB partition for PHIDAM PART2.

Entry ET:

/DIS DB PART2

Response ET:

DFS000I	DATABASE	TYPE	TOTAL UNUSED	TOTAL UNUSED	ACC	CONDITIONS
DFS000I	PARTMAST	PHIDAM			UP	
DFS000I	PART2	PART			UP	NOTOPEN

\*99166/092737\*

## Example for /DISPLAY DBD Command

Entry ET:

/DISPLAY DBD MSDBLM01 MSDBLM02 MSDBLM03 MSDBLM04

Response ET:

DBD-NAME	TYPE	PSB-NAME	ACCESS
MSDBLM01	MSDB	DDLTLMO6	R/W
		DDLTLMO7	R/W
MSDBLM02	MSDB	DDLTLMO6	R/W
		DDLTLMO7	R/W
MSDBLM03	MSDB	DDLTLMO6	R/W
		DDLTLMO7	R/W
MSDBLM04	MSDB	DDLTLMO6	R/W
		DDLTLMO7	R/W

\*91068/110958\*

## Example for /DISPLAY DESCRIPTOR Command

Entry ET:

/DISPLAY DESCRIPTOR ALL

Response ET:

DESC	LUNAME	TPNAME	MODE	SIDE	SYNCLEVEL	TYPE
LU62DES1	LUNAME4	ACCOUNT	ALPHA	SIDENME1	CONFIRM	MAPPED
LU62DES2	LUNAME7	APPLE67890123456+	BETHA	SIDENME2	NONE	BASIC
		789END				

\*90332/114253\*

Entry ET:

/DISPLAY DESCRIPTOR ALL

Response ET:

DESC	LUNAME	MODE	SIDE	SYNCLEVEL	TYPE
LU62DES1	NID2.LUNAME4	ALPHA	SIDENME1	CONFIRM	MAPPED
	TPNAME: ACCOUNT				
LU62DES2	LUNAME7	BETHA	SIDENME2	NONE	BASIC
	TPNAME: APPLE67890123456789012345				

\*92232/114253\*

## Example for /DISPLAY FDR Command

Entry ET:

/DISPLAY FDR

Response ET:

FDR-REGION	GROUPNAME	TIMEOUT
ACTIVE	FDBRSYS3	055

\*96232/114253\*



**Example for /DISPLAY FPVIRTUAL Command**

	DB21AR1	V\$\$\$CFSTRUCTURE2	0000010	0000005	1024	PREO
	DB21AR2	V\$\$\$CFSTRUCTURE2	0000090	0000010	1024	PREO
	DB21AR3	V\$\$\$CFSTRUCTURE2	0000200	0000050	1024	PREO, PREL
	DB21AR4	V\$\$\$CFSTRUCTURE2	0000050	0000010	1024	PREO
	DB21AR5	V\$\$\$CFSTRUCTURE2	0000150	0000010	1024	PREO

| Explanation: Each area using a multi-area structure is listed individually with its own  
 | statistics. The column, AREACI#, displays the total number of CIs in the root  
 | addressable part. This is the total number of CIs loaded into the structure if the  
 | entire Area was preloaded.

**Example for /DISPLAY HSB Command**

Entry ET (Active System):

/DISPLAY HSB

Response ET:

RSENAME	STATUS	MODE	IMS-ID	VTAM UVAR
DFSRSENM	ACTIVE		IMSA	USERVAR1
SURVEILLANCE	INTERVAL	TIMEOUT	STATUS	
LOG	10	99	ACTIVE	
LNK	3	9	ACTIVE	
RDS	10	99	ACTIVE	
*89340/094236*				

3 Entry ET (Active System - MNPS environment):

3 /DISPLAY HSB

3 Response ET:

RSENAME	STATUS	MODE	IMS-ID	MNPS NAME
DFSRSENM	ACTIVE		IMSA	USERVAR1
SURVEILLANCE	INTERVAL	TIMEOUT	STATUS	
LOG	10	99	ACTIVE	
LNK	3	9	ACTIVE	
RDS	10	99	ACTIVE	
*89340/094236*				

Entry ET (Alternate System):

/DISPLAY HSB

Response ET:

RSENAME	STATUS	PHASE	IMS-ID	VTAM UVAR	ACT-ID	LOG-TIME
DFSRSENM	BACKUP	TRK	IMSB	USERVAR1	IMSA	09:42:56
	BACKUP SYSTEM			ACTIVE SYSTEM		
SURVEILLANCE	INTERVAL	TIMEOUT	STATUS	INTERVAL	TIMEOUT	STATUS
LOG	10	99	INACTIVE	10	99	INACTIVE
LNK	3	9	INACTIVE	3	9	INACTIVE
RDS	10	99	INACTIVE	10	99	INACTIVE
TAKEOVER CONDITIONS - ALARM						
VTAM			*RDS LOG			
*89340/094256*						

3 Entry ET (Alternate System - MNPS environment):

3 /DISPLAY HSB

3 Response ET:

RSENAME	STATUS	PHASE	IMS-ID	MNPS NAME	ACT-ID	LOG-TIME
DFSRSENM	BACKUP	TRK	IMSB	USERVAR1	IMSA	09:42:56
	BACKUP SYSTEM			ACTIVE SYSTEM		
SURVEILLANCE	INTERVAL	TIMEOUT	STATUS	INTERVAL	TIMEOUT	STATUS

## Example for /DISPLAY HSB Command

IBM Confidential

```
3          LOG          10      99  INACTIVE      10      99  INACTIVE
3          LNK           3       9  INACTIVE       3       9  INACTIVE
3          RDS          10      99  INACTIVE      10      99  INACTIVE
3          TAKEOVER CONDITIONS - ALARM
3          VTAM                          *RDS LOG
3          *89340/094256*
```

## Example for /DISPLAY HSSP Command

Entry ET (Active System):

```
/DISPLAY HSSP
```

Response ET:

```
RGN TYP JOBNAME  PSB      DATABASE  AREAS-OPTIONS  SYS3
  1 BMP  CSSP020B  BMPFPE02  DEDBJN21  IC=(1,C)  SYS3
*89122/094325*  SYS3
```

## Example for /DISPLAY LINE Command

Entry ET:

```
/DISPLAY LINE 1, 3, 5, 10
```

Response ET:

```
LINE TYPE      ADDR      RECD  ENQCT  DEQCT   QCT  SENT
  1 CONSOLE     ****          0    1    0     1    6
  3 2740-II     ****          0    0    0     0    0  STOPPED IDLE
  5 3270 R      0C9         43   51   43     8   79
*85098/141118*
```

Entry ET:

```
/DISPLAY LINE ALL
```

Response ET:

```
LINE TYPE      ADDR      RECD  ENQCT  DEQCT   QCT  SENT
  1 CONSOLE     ****          4    1    1     0    6
  2 2740-I      ****          0    0    0     0    0  IDLE NOTOPEN
  3 2740-II     ****          0    0    0     0    0  STOPPED IDLE
  4 2740 NSC    ****          0    0    0     0    0  STOPPED IDLE
  5 3270 R      0C9         43   51   43     8   79
  6 3270 L      ****          0    0    0     0    0  STOPPED IDLE
  7 3270 L     1234         20   22   20     2    0
  8 SYSTEM/3    ****          0    0    0     0    0  STOPPED IDLE
  9 SYSTEM/7    ****          0    0    0     0    0  STOPPED IDLE
 10 2741        ****          0    0    0     0    0  STOPPED IDLE
 11 2741 SW     ****          0    0    0     0    0  STOPPED IDLE
 12 2741 SW     ****          0    0    0     0    0  STOPPED IDLE
 13 RDR/PTR     ****          0    0    0     0    0  STOPPED IDLE
 14 RDR/PTR     ****          0    0    0     0    0  STOPPED IDLE
 15 RDR/PTR     ****          0    0    0     0    0  STOPPED IDLE
 16 RDR/PTR     ****          0    0    0     0    0  STOPPED IDLE
 17 2740 SW     ****          0    0    0     0    0  STOPPED IDLE
 18 DIAL        POOL          0    0    0     0    0  POOL STOPPED IDLE
*85098/141244*
```

Entry ET:

```
/DISPLAY LINE 5 PTERM ALL
```

Response ET:

```
LIN/PTE TYPE      ADDR  RECD  ENQCT  DEQCT   QCT  SENT
 5-  1 3270 R      404081  3    6    6     0    8
 5-  2 3270 R      C14081  0    6    6     0    7
```

```

5- 3 3270 R C1C181 40 30 28 2 61
5- 4 3270 R C1C281 0 3 0 3 0 COMPINOP
5- 5 3270 R C1C381 0 3 0 3 0 COMPINOP
5- 6 3270 R C1C481 0 3 3 0 3
*85098/141412*

```

Entry ET:

```
/DISPLAY LINE PSTOPPED, PUR
```

Response ET:

```

LINE   TYPE  ADDR  RECD ENQCT DEQCT  QCT  SENT
  4    3270 R   ****    4    8    8    0   33  PUR IDLE NOTOPEN
 18    3270 R   022    0    4    4    0    4  PSTOPPED IDLE
*85098/141283*

```

## Examples for /DISPLAY LINK Command

The following are example of the /DISPLAY LINK command.

### Example 1 for /DISPLAY LINK Command

Entry ET:

```
/DISPLAY LINK ALL
```

Response ET:

```

LINK PARTNER  RECD  ENQCT  DEQCT  QCT  SENT
  1 AB         0    0    0    0    0  PSTOPPED IDLE COLD
  2 AC         8   21   12    9   12  NOTIDLE-C0C ACTV TRA
  3 AD         4    6    6    0    6  IDLE ACTV TRA
  4 BC         0    0    0    0    0  PSTOPPED IDLE COLD
  5 AE         0    3    0    3    0  PSTOPPED IDLE
*91293/171240*

```

Entry ET:

```
/DISPLAY LINK 1 3
```

Response ET:

```

LINK PARTNER  RECD  ENQCT  DEQCT  QCT  SENT
  1 AB         0    1    0    1    0  IDLE
  3 AD         0    0    0    0    0  PSTOPPED IDLE
*90280/072548*

```

### Example 2 for /DISPLAY LINK Command

Entry ET:

```
/DISPLAY LINK ALL MODE
```

Response ET:

```

LINK PARTNER  DEF  MODETBL  ACT  MODETBL
  1 AB        N/A          N/A
  2 AC        N/A          N/A
  3 AD        N/A          N/A
  4 AE        N/A          N/A
  5 AK        MSC12V
  6 AL        MS12V
*90179/102238*

```

Explanation: N/A is displayed in the mode table name fields of non-VTAM MSC links. MSC12V and MS12V are mode table names defined at system definition or established using the /CHA command.

## Examples for /DISPLAY LTERM Command

The following are examples of the /DISPLAY LTERM command.

### Example 1 for /DISPLAY LTERM Command

Entry ET:

```
/DISPLAY LTERM DIALQ1 INQUIRY1 L2740S1 L2740SM1 MASTER WTOR
```

Response ET:

LTERM	ENQCT	DEQCT	QCT	
DIALQ1	0	0	0	
INQUIRY1	0	0	0	
L2740S1	1	1	0	STOP
L2740SM1	1	0	1	STOP
MASTER	12	12	0	
WTOR	0	0	0	

\*90295/123755\*

### Example 2 for /DISPLAY LTERM Command

Entry ET:

```
/DISPLAY LTERM ALL
```

Response ET:

LTERM	ENQCT	DEQCT	QCT	
DSPLY1	0	0	0	
DSPLY2	0	0	0	
DSPLY3	0	0	0	
MASTER	8	8	0	
WTOR	0	0	0	
2740AA1	0	0	0	
2740AA2	0	0	0	
2740AA3	0	0	0	
2740C1	0	0	0	
2740C2	0	0	0	
2740SM1	2	2	0	STOP
2740SM2	2	2	0	STOP
2740S1	1	1	0	
2740S2	1	1	0	QERR
LU6A	1	1	0	QLOCK

\*91276/125448\*

### Example 3 for /DISPLAY LTERM Command

Entry ET:

```
/DISPLAY LTERM LTERMA LTERM123 ABCD QCNT
```

Response ET:

LTERM	GBLQCT
LTERMA	1000000000
LTERM123	25
ABCD	0

\*95200/170817\*

### Example 4 for /DISPLAY LTERM Command

Entry ET:

```
/DISPLAY LTERM EMHQ QCNT
```

(one user is on the queue)

Response ET:



```
LTERM          GBLQCT
FPE0001        1
*98203/145857*
```

## Example for /DISPLAY LUNAME Command

Entry ET:

```
/DISPLAY LUNAME luname1 luname2 INPUT
```

Response ET:

```
LUNAME #APPC-CONV
LUNAME1          15 TRA
LUNAME2          5
*90332/114253*
```

Entry ET:

```
/DISPLAY LUNAME luname1 luname3 BADLUNME OUTPUT
```

Response ET:

```
LUNAME          ENQCT          DEQCT          QCT          CONVCT
LUNAME1          5              3              2              2
LUNAME3          5              4              1              1
BADLUNME IS INVALID
*90332/114253*
```

Entry ET:

```
/DISPLAY LUNAME LUNAME1 TPNAME TPNAME1 BADTPNME
```

Response ET:

```
LUNAME/TPNAME          ENQCT          DEQCT          QCT
LUNAME1
-TPNAME1                0              0              0 STO
BADTPNME IS INVALID
*90332/114253*
```

Entry ET:

```
/DISPLAY LUNAME LUNAME1 TPNAME ALL OUTPUT
```

Response ET:

```
LUNAME/TPNAME          ENQCT          DEQCT          QCT
LUNAME1
-TPNAME1                0              0              0 STO
-TPNAME7890123456+    5              3              2 TRA,STO
789END
-DFSSIDE                2              2              0
*90332/114253*
```

Entry ET:

```
/DISPLAY LUNAME LUNAME2 TPNAME ALL
```

Response ET:

```
LUNAME/TPNAME          ENQCT          DEQCT          QCT
NO TPNAME(S) ASSOCIATED WITH LUNAME
*90332/114253*
```

Entry ET:

```
/DISPLAY LUNAME 'network1.luname1' luname3 'nid2.luname4' OUTPUT
```

Response ET:

LUNAME	ENQCT	DEQCT	QCT	CONVCT
NETWORK1.LUNAME1	5	3	2	2
LUNAME3	5	4	1	1
NID2.LUNAME4	0	0	0	0

\*92232/114253\*

Entry ET:

/DISPLAY LUNAME 'network1.luname1' TPNAME tpname1 badtpnme

Response ET:

LUNAME/TPNAME	ENQCT	DEQCT	QCT
NETWORK1.LUNAME1			
-TPNAME1	0	0	0 STO
-BADTPNME	IS INVALID		

\*92232/114253\*

Entry ET:

/DISPLAY LUNAME ALL INPUT

Response ET

LUNAME	#APPC-CONV
NET1.LU1	0 STO,TRA
NET2.LU1	0
LU3	0 STO,TRA
NET4.LU3	0 STO
NET5.LU5	0 TRA

FUTURE INPUT: STO,TRA  
\*93069/114435\*

Entry ET:

/DISPLAY LUNAME ALL OUTPUT

Response ET:

LUNAME	ENQCT	DEQCT	QCT	CONVCT
NET1.LU1	0	0	0	0 STO
NET2.LU1	0	0	0	0 TRA
LU3	0	0	0	0 STO,TRA
NET4.LU3	0	0	0	0 TRA
NET5.LU5	0	0	0	0 STO

FUTURE OUTPUT: STO,TRA  
\*93069/114435\*

Entry ET:

/DISPLAY LUNAME LUNAMEA TPNAME TPNAME1 TPNAME2 QCNT

Response ET:

LUNAME/TPNAME	GBLQCT
LUNAMEA	
-TPNAME1	25
-TPNAME2	IS INVALID

\*95200/170817\*

Entry ET:

/DISPLAY LUNAME LUNAMEA1 LUNAMEB LUNAMEC QCNT

Response ET:

```
LUNAME      GBLQCT
LUNAMEA1 1000000000
LUNAMEB      25
LUNAMEC IS INVALID
*95200/170817*
```

Entry ET:

```
/DISPLAY LUNAME LUNAMEB TPNAME ALL QCNT
```

Response ET:

```
LUNAME/TPNAME      GBLQCT
LUNAMEB
-TPNAMEB1          10
-TPNAMB1234567890+  0
 12345678901234567890123456789012345678901234567890
*95200/170817*
```

## Example for /DISPLAY MASTER Command

Entry ET:

```
/DISPLAY MASTER
```

Response ET:

```
LTERM MASTER
PTERM 3- 1
*89117/130245*
```

## Examples for /DISPLAY MODIFY Command

The following are examples of the /DISPLAY MODIFY command.

### Example 1 for /DISPLAY MODIFY Command

In the following examples for /DISPLAY MODIFY, /MODIFY PREPARE has already succeeded.

Entry ET:

```
/DISPLAY MODIFY ALL
```

Response ET:

```
LIBRARY IMSACBA (A) OLC.ACBLIB.ALL
LIBRARY FORMATA (I) IMSQA.FMT1
LIBRARY MODBLKSA (A) I41RTS42.CMODBLKS
LIBRARY MATRIXA (A) OLC1.MATRIX1
LIBRARY IMSACBB (I) OLC.ACBLIB.ALL
LIBRARY FORMATB (A) IMSQA.FMT1
LIBRARY MODBLKSB (I) I41RTS42.CMODBLK1
LIBRARY MATRIXB (I) OLC1.MATRIX2
DATABASE OLCDB088 /DBR ACTIVE
DATABASE OLCDB101 PSB SCHEDULED
PROGRAM OLCPB021 SCHEDULED
PROGRAM OLCPB109 SCHEDULED
RTCODE OLCRC056 ACTIVE
TRAN OLCTB105 QUEUING 1
TRAN CDEBTRN5 CONVERSATION TERM/USER 4- 2 ID= 0009
TRAN OLCTB109 SCHEDULED
TRAN CDEBTRN8 CONVERSATION TERM/USER L3270D ID= 0002
TRAN OLCTB111 QUEUING 5
TRAN CDEBTRN2 CONVERSATION TERM/USER DYNT0001 IMSUS01 ID= 0005
TRAN CDEBTRN3 CONVERSATION TERM/USER 12- 1 ID= 0008
TRAN CDEBTRN1 CONVERSATION TERM/USER IMSUS12 ID= 0001
DISPLAY MODIFY COMPLETE
*93336/093025*
```

Entry ET:

/DISPLAY MODIFY DBS

Response ET:

```

DATABASE CALENDER      AREAS OPEN:
  AREA FEBRUARY
  AREA APRIL
  AREA JULY
  AREA AUGUST
  AREA SEPTEMBER
  AREA OCTOBER
  AREA DECEMBER
DATABASE CALENDER      RANDOMIZER: RMOD3
DEDBS  SHARING         RANDOMIZER: RMOD3
DATABASE DEDBJN21     RANDOMIZER: RMOD3
RMOD3  NOT             LOADED
DATABASE DEDBJN22     RANDOMIZER: RMOD5
RMOD5  NOT             LOADED
DISPLAY MODIFY COMPLETE *95299/161529*
    
```

Entry ET:

/DISPLAY MODIFY TRS

Response ET:

```

TRAN   OLCFT112        QUEUING    2
TRAN   OLCFT115        QUEUING    23
PROGRAM OLCFP115       QUEUING    1
TRAN   CDEBTRN8        GLOBAL QUEUE COUNT INTERNAL ERROR
TRAN   OLCFT116        QUEUING    6
DISPLAY MODIFY COMPLETE *96193/135935*
    
```

Explanation: Work is in progress that will cause online change to fail, because several transactions and a FP program have a global queue count on the shared queues. The global queue count for transaction CDEBTRN8 could not be determined because of an internal error.

### Example 2 for /DISPLAY MODIFY Command

Entry ET:

/DISPLAY MODIFY MODS

Response ET:

```

DFS000I  FORMAT  0C01_FF02A  _O  ADDED
DFS000I  FORMAT  0C01_FF02B  _O  ADDED
DFS000I  FORMAT  0C7F_FN01A  _O  CHANGED
DFS000I  FORMAT  0C7F_FN01B  _O  CHANGED
DFS000I  FORMAT  0C7F_FN01C  _O  CHANGED
DFS000I  FORMAT  0C7F_FF04A  _O  DELETED
DFS000I  FORMAT  MF04E        DELETED
DFS000I  DATABASE OLCDB101    ADDED
DFS000I  DATABASE OLCDB102    ADDED
DFS000I  DATABASE OLCDB103    ADDED
DFS000I  DATABASE OLCDB104    ADDED
DFS000I  DATABASE OLCDB157    ADDED
DFS000I  DATABASE OLCDB111    DELETED
DFS000I  DATABASE OLCDB159    DELETED
DFS000I  DATABASE OLCDI105    DELETED
DFS000I  DATABASE OLCDI106    DELETED
DFS000I  DMB     OLCDB101     ADDED
DFS000I  DMB     OLCDB102     ADDED
DFS000I  DMB     DEDBJN24     CHANGED
DFS000I  AREA    DB24A000     CHANGED
DFS000I  DMB     OLCDB105     DELETED
    
```

```

DFS000I    PROGRAM  OLCFP107    ADDED
DFS000I    PROGRAM  OLCFP108    ADDED
DFS000I    PROGRAM  OLCPB101    ADDED
DFS000I    PROGRAM  OLCFP109    CHANGED
DFS000I    PROGRAM  OLCFP110    CHANGED
DFS000I    PROGRAM  OLCFP111    CHANGED
DFS000I    PROGRAM  OLCPB105    DELETED
DFS000I    PROGRAM  OLCPB106    DELETED
DFS000I    PSB      OLCFP107    ADDED
DFS000I    PSB      OLCFP108    ADDED
DFS000I    PSB      CDEBS        CHANGED
DFS000I    PSB      OLCPB105    DELETED
DFS000I    PSB      OLCPB106    DELETED
DFS000I    RT CODE  OLCFT108    ADDED
DFS000I    RT CODE  OLCFR119    CHANGED
DFS000I    RT CODE  OLCFR117    DELETED
DFS000I    TRAN     OLCFT108    ADDED
DFS000I    TRAN     OLCTBG17    ADDED
DFS000I    TRAN     CDEBTRNA    CHANGED
DFS000I    TRAN     CDEBTRN1    CHANGED
DFS000I    TRAN     CONV31X      DELETED
DFS000I    DISPLAY  MODIFY COMPLETE *98356/094452*   SYS3
    
```

Explanation: Displays resources to be modified (added, changed, or deleted) by online change.

**Example 3 for /DISPLAY MODIFY Command**

Entry ET:

/DISPLAY MODIFY ALL

Response ET:

```

LIBRARY IMSACBA (A)  IMSTESTG.DELTALIB
                    (A)  IMSTESTL.TNUC2
                    (A)  IMSTESTG.IMS61RC.ACBLIB
                    (A)  IMSTESTG.IMS61R.ACBLIB
LIBRARY FORMATA (A)  IMSTESTG.MFS.OVERRIDE.FORM
                    (A)  IMSTESTG.MFS.FORMAT
                    (A)  IMSQA.FMT1
LIBRARY MODBLKSA (A)  IMSBLD.I61RTS25.CMODBLKS
LIBRARY MATRIXA (A)  IMSTESTG.I61RTS25.MATRIX
LIBRARY IMSACBB (I)  IMSTESTG.DELTALIB
                    (I)  IMSTESTL.TNUC3
                    (I)  IMSTESTG.IMS61RC.ACBLIB
                    (I)  IMSTESTG.IMS61R.ACBLIB
LIBRARY FORMATB (I)  IMSTESTG.MFS.OVERRIDE.FORM
                    (I)  IMSTESTG.MFS.FORMAT
                    (I)  IMSQA.FMT1
LIBRARY MODBLKSB (I)  IMSBLD.I61RTS25.CMODBLKS
LIBRARY MATRIXB (I)  IMSTESTG.I61RTS25.MATRIX
DATABASE DEDBJN21    RANDOMIZER: RMOD3          (1)
RMOD3     LOADED                                           (2)
DEDBS     SHARING    RANDOMIZER: RMOD3          (3)
          DEDB DEDBJN22
          DEDB DEDBJN23
          DEDB DEDB3301
DATABASE DEDBJN22    RANDOMIZER: RMOD3
RMOD3     NOT        LOADED
DEDBS     SHARING    RANDOMIZER: RMOD3
          DEDB DEDBJN21
          DEDB DEDBJN23
          DEDB DEDB3301
DATABASE DEDBJN23    RANDOMIZER: RMOD3
RMOD3     LOADED
DEDBS     SHARING    RANDOMIZER: RMOD3
          DEDB DEDBJN21
    
```

```

DEDB DEDBJN22
DEDB DEDB3301
NO WORK PENDING *99328/110535*   SYS3

```

Explanation: In the previous example:

- DEDB databases DEDBJN21, DEDBJN22, and DEDBJN23 have undergone Online Change.
- After a database line for DEDBS displays, a line follows containing randomizer status (loaded or not loaded).
- After the randomizer status displays, a line might follow containing DEDBS SHARING RANDOMIZER; this line is followed by DEDB lines listing the DEDBs that share the randomizer.

Entry ET:

```
/DISPLAY MODIFY ALL
```

Response ET:

```

LIBRARY  IMSACBA  (A)  IMSTESTG.DELTALIB
                (A)  IMSTESTL.TEMPA.ACBLIB
                (A)  IMSTESTG.IMS800C.ACBLIB
                (A)  IMSTESTG.IMS800.ACBLIB
                (A)  IMSTESTG.MFS.OVERRIDE.FORMAT
LIBRARY  FORMATA (A)  IMSTESTG.MFS.FORMAT
                (A)  IMSQA.FMT1
LIBRARY  MODBLKSA (A)  TEMPA.MODBLKS
LIBRARY  MATRIXA (A)  IMSTESTG.I800TS2A.MATRIX
LIBRARY  IMSACBB (I)  IMSTESTG.DELTALIB
                (I)  IMSTESTL.TEMPB.ACBLIB
                (I)  IMSTESTG.IMS800C.ACBLIB
                (I)  IMSTESTG.IMS800.ACBLIB
                (I)  IMSTESTG.MFS.OVERRIDE.FORMAT
LIBRARY  FORMATB (I)  IMSTESTG.MFS.FORMAT
                (I)  IMSQA.FMT1
LIBRARY  MODBLKSB (I)  TEMPB.MODBLKS
LIBRARY  MATRIXB (I)  IMSTESTG.I800TS2A.MATRIX
DATABASE DEDBJN21  NOT OPEN, BUT DBR NEEDED ON TRACKER (1)
DATABASE DEDBJN21  RANDOMIZER: RMOD3
RMOD3    NOT      LOADED
DATABASE DEDBJN22  RANDOMIZER: RMOD5
RMOD5    NOT      LOADED
DATABASE DEDBJN24  RANDOMIZER: RMOD4
RMOD4    NOT      LOADED
DATABASE THFP1WEB  RANDOMIZER: DBFHDC44
DBFHDC44 NOT      LOADED
DISPLAY          MODIFY COMPLETE *01303/085213*   SYS3

```

Explanation: The DEDB database DEDBJN21 is prepared to be online changed on a tracker environment. If the AREA is not stopped and the database is not open, the AREA can be open if log records type 5701 or 5950 are routed to the RSR tracking IMS from the active IMS while Online Change is in progress. It is then required that database be DBRed in the case of database level change. The tracking suspend point (Suspended Log Sequence Number) is registered in RECON when the AREA is stopped. After the online change committed successfully, and when the /STA AREA command is entered, the Online Forward Recovery will open the AREA and all log records from the suspended point will be applied to the AREA.

## Example for /DISPLAY MSNAME Command

Entry ET:

```
/DISPLAY MSNAME ALL
```

Response ET:

MSNAME	ENQCT	DEQCT	QCT
SYSTEM2A	0	0	0
SYSTEM2B	0	0	0
FRESNO	0	0	0
BOSTON	0	0	0
ALBANY	0	0	0
TEST1	0	0	0

\*91350/053859\*

Entry ET:

/DISPLAY MSNAME ALL

Response ET:

MSNAME	ENQCT	DEQCT	QCT	IMS1	
LINK23B4	0	0	0	DYNAMIC	IMS1
LINK12V1	0	0	0	IMS1	
LINK23U2	0	0	0	DYNAMIC	IMS1
ELINK211	0	0	0	DYNAMIC	IMS1
LINK13B3	0	0	0	IMS1	
LINK13V	0	0	0	IMS1	
LINK12V	0	0	0	IMS1	
LINK13C2	0	0	0	IMS1	
LINK13X	0	0	0	IMS1	
LINK12V2	0	0	0	IMS1	
LINK13M2	0	0	0	IMS1	
LINK13V2	0	0	0	IMS1	
ELINK124	0	0	0	IMS1	
LINK23V1	0	0	0	DYNAMIC	IMS1
LINK12B1	0	0	0	IMS1	
LINK12B2	0	0	0	IMS1	
LINK12Y	0	0	0	IMS1	
ELINK120	0	0	0	IMS1	
LINK13B4	0	0	0	IMS1	
LINK21V3	0	0	0	DYNAMIC	IMS1
ELINK1MS	0	0	0	IMS1	
LINK12M1	0	0	0	IMS1	
LINK23V	0	0	0	DYNAMIC	IMS1
LINK13U2	0	0	0	IMS1	
LINK23B3	0	0	0	DYNAMIC	IMS1
ELINK224	0	0	0	DYNAMIC	IMS1
LINK23X	0	0	0	DYNAMIC	IMS1
LINK23V2	0	0	0	DYNAMIC	IMS1
ELINK121	0	0	0	IMS1	
LINK23C2	0	0	0	DYNAMIC	IMS1
LINK12U1	0	0	0	IMS1	
LINK23M2	0	0	0	DYNAMIC	IMS1
ELINK122	0	0	0	IMS1	
ELINK222	0	0	0	DYNAMIC	IMS1
LINK12C1	0	0	0	IMS1	
LINK13V1	0	0	0	IMS1	
ELINK123	0	0	0	IMS1	
PTH3TSTB	0	0	0	IMS1	

\*97258/175636\*

## Examples for /DISPLAY NODE Command

The following are examples of the /DISPLAY NODE command.

### Example 1 for /DISPLAY NODE Command

Entry ET:

/DISPLAY NODE DTSLU\* LUP1 ENDS01 LU6NDPA LU6NDPH

Response ET:

NODE-USR	TYPE	CID	RECD	ENQCT	DEQCT	QCT	SENT	SYS3
DTSLU002	SLUP	010000D3	0	0	0	0	0	SIGN(IMSUS05 ) IDLE CON
DTSLU202	SLU2	010000CB	0	0	0	0	1	SIGN(IMSUS02 ) IDLE CON
DTSLU603	LUT6							
-IMSUS04		010000C7	0	0	0	0	0	SIGN(IMSUS04 ) IDLE CON PRI
DTSLU205	SLU2	010000A5	2	1	1	0	3	SIGN(IMSUS14 ) IDLE CONV-ACT CON
DTSLU204	SLU2	010000A4	3	0	0	0	4	SIGN(IMSUS13 ) IDLE CON EXC
DTSLU203	SLU2	010000A3	3	0	0	0	4	SIGN(IMSUS12 ) PRST(WTOR ) IDLE MFST CON
LUP1	SLUP	010000CD	0	0	0	0	0	IDLE CON STATIC
ENDS01	SLU2	010000A6	1	0	0	0	2	SIGN(IMSUS08 ) IDLE CON STATIC
LU6NDPA	LUT6							
-LU6SPG		010000BB	0	0	0	0	0	IDLE CON PRI
-CA12		010000BD	0	0	0	0	0	IDLE CON PRI
-CA11		010000BF	0	0	0	0	0	IDLE CON PRI
LU6NDPH	LUT6							
-CA14		010000C1	0	0	0	0	0	IDLE CON PRI
-N/A		00000000	0	0	0	0	0	IDLE STATIC
-N/A		00000000	0	0	0	0	0	IDLE STATIC

Explanation: User IMSUS05 is signed on to dynamic node DTSLU002. User IMSUS02 is signed on to dynamic node DTSLU202. User IMSUS04 is allocated to ISC node DTSLU603. User IMSUS14 is signed on to dynamic node DTSLU205 and has an active conversation. User IMSUS13 is signed on to dynamic node DTSLU204 and is in exclusive mode. User IMSUS12 is signed on to dynamic node DTSLU203 and has a preset destination of LTERM WTOR and is in MFS test mode. Static node LUP1 is logged on. User IMSUS08 is signed on to static node ENDS01. Users LU6SPG, CA12, and CA11 are allocated to static ISC node LU6NDPA, which means node LU6NDPA has 3 active parallel sessions. User CA14 is allocated to static ISC node LU6NDPH, which means node LU6NDPH has one active parallel session.

### Example 2 for /DISPLAY NODE Command

Entry ET:

```
/DISPLAY NODE NSLUTP1 NSLUTP6 NPLUTP6
```

Response ET:

NODE-USR	TYPE	CID	RECD	ENQCT	DEQCT	QCT	SENT	SYS3
NSLUTP1	SLU1	00000000	0	0	0	0	0	IDLE
NSLUTP6	LUT6	00000000	5	3	2	1	5	IDLE
NPLUTP6	LUT6							
-A		00000000	1	1	1	0	1	IDLE FORCE
-B		00000000	10	25	13	12	9	IDLE
-N/A		00000000	0	0	0	0	0	IDLE
-C		00000000	0	4	4	0	4	IDLE

\*90229/083059\*

Entry ET:

```
/DISPLAY NODE ALL
```

Response ET:

NODE-USR	TYPE	CID	RECD	ENQCT	DEQCT	QCT	SENT	SYS3
WRIGHT	SLU2	00000000	0	0	0	0	0	IDLE
LUNS01	NT0	00000000	0	0	0	0	0	IDLE



```

WS12     FIN      00000000    0    0    0    0    0 IDLE
VR3275A1 3277    00000000    0    0    0    0    0 IDLE
VR3286A1 3286    00000000    0    0    0    0    0 IDLE
LUP1     SLUP    00000000    0    0    0    0    0 IDLE
Q3290A   SLU2    00000000    0    0    0    0    0 IDLE
LU6FP02  LUT6    00000000    0    0    0    0    0 IDLE
LU6NDPA  LUT6
-N/A     00000000    0    0    0    0    0 IDLE
-N/A     00000000    0    0    0    0    0 IDLE
-N/A     00000000    0    0    0    0    0 IDLE
NDNTOXA1 NTO     00000000    0    0    0    0    0 ASR
ND3287A1 SLU1    00000000    0    0    0    0    0 ASR
ND3287A2 SLU1    00000000    0    0    0    0    0 IDLE
ND3287A3 SLU1    00000000    0    0    0    0    0 IDLE
ND3287A4 SLU1    00000000    0    0    0    0    0 ASR
NDSL2A1  SLU2    00000000    0    0    0    0    0 ASR
NDSL2A2  SLU2    00000000    1    1    0    1    1 ASR
NDSLUPA1 SLUP    00000000    0    0    0    0    0 ASR
NDSLUPA2 SLUP    00000000    0    0    0    0    0 IDLE
NDLU6XSG LUT6    00000000    0    0    0    0    0 IDLE
NDLU6XPG LUT6
-N/A     00000000    0    0    0    0    0 ASR
-N/A     00000000    0    0    0    0    0 ASR
-N/A     00000000    0    0    0    0    0 ASR
-N/A     00000000    0    0    0    0    0 ASR
*91213/100107*  SYS3
    
```

Entry ET:

```
/DISPLAY NODE IN902D1 IN902D4
```

Response ET:

```

NODE-USR TYPE  CID      RECD ENQCT  QCT  SENT
IN902D1  SLU1    100121C5  125  125    0   125 CON
*91012/192544*
    
```

Entry ET:

```
/DISPLAY NODE NLUTP6P USER C
```

Response ET:

```

NODE-USR TYPE  CID      RECD ENQCT DEQCT  QCT  SENT
NLUTP6P  LUT6
-C        00000000    0    10    8    2    8
*90229/083059*
    
```

### Example 3 for /DISPLAY NODE Command

The following commands illustrate the use of /DISPLAY to monitor changes in the mode table values for a node.

Entry ET:

```
/DISPLAY NODE LUTYPEP1 MODE
```

Response ET:

```

NODE-USR TYPE  DEF MODETBL  ACT MODETBL
LUTYPEP1  SLUP    DEFRESP
*90179/100206*
    
```

Explanation: DEFRESP is the mode table name defined for node LUTYPEP1 at system definition. The session is not active so the ACT MODETBL field is blank.

Entry ET:

```
/OPN NODE LUTYPEP1
```

Response ET:

```
DFS058I OPNDST COMMAND COMPLETED
```

Entry ET:

```
/DISPLAY NODE LUTYPEP1 MODE.
```

Response ET:

```
NODE-USR TYPE   DEF MODETBL  ACT MODETBL
LUTYPEP1 SLUP   DEFRESP    DEFRESP
*90179/100508*
```

Explanation: A mode table name was not specified with the /OPNDST command so the default value defined at system definition was used to initiate the session.

Entry ET:

```
/CLS NODE LUTYPEP1
```

Response ET:

```
DFS058I CLSDST COMMAND COMPLETED
```

Entry ET:

```
/DISPLAY NODE LUTYPEP1 MODE
```

Response ET:

```
NODE-USR TYPE   DEF MODETBL  ACT MODETBL
LUTYPEP1 SLUP   DEFRESP
*90179/100630*
```

Explanation: Active mode table name displays as blank at normal session termination.

Entry ET:

```
/OPN NODE LUTYPEP1 MODE ALPHA.
```

Response ET:

```
DFS058I OPNDST COMMAND COMPLETED
```

Entry ET:

```
/DISPLAY NODE LUTYPEP1 MODE
```

Response ET:

```
NODE-USR TYPE   DEF MODETBL  ACT MODETBL
LUTYPEP1 SLUP   DEFRESP    ALPHA
*90179/100805*
```

Explanation: The mode table name specified with the /OPNDST command (ALPHA) is used to initiate the session. The default value specified at system definition (DEFRESP) is overridden by the /OPNDST command.

#### Example 4 for /DISPLAY NODE Command

The following example shows the display of all nodes with the automatic session restart designation.

Entry ET:

/DISPLAY NODE AUTOSR

Response ET:

NODE-USR	TYPE	CID	RECD	ENQCT	DEQCT	QCT	SENT
WS12	FIN	00000000	0	0	0	0	0 ASR
NODE0005	FIN	00000000	0	0	0	0	0 ASR
NODE0006	FIN	00000000	0	0	0	0	0 ASR
NODE0007	FIN	00000000	0	0	0	0	0 ASR
NTOLUNS	NTO	00000000	0	0	0	0	0 ASR IDLE
NT02741	NTO	00000000	0	0	0	0	0 ASR IDLE
LU6NODE2	LUT6						
-N/A		00000000	0	0	0	0	0 ASR IDLE
-N/A		00000000	0	0	0	0	0 ASR IDLE
-N/A		00000000	0	0	0	0	0 ASR IDLE

\*90179/101609\*

**Example 5 for /DISPLAY NODE Command**

Entry ET:

/DISPLAY NODE NODE1 NODE2 QCNT

Response ET:

NODE	GBLQCT
NODE1	100000
NODE2	25

\*95200/170817\*

Entry ET:

/DISPLAY NODE NODE1 USER USER1 USER2 QCNT

Response ET:

NODE/USER	GBLQCT
NODE1	
-USER1	10
-USER2	0

\*95200/170817\*

**Example 6 for /DISPLAY NODE Command**

Entry ET:

/DISPLAY NODE FPEN0001 EMHQ QCNT

Response ET:

LTERM	GBLQCT
FPEN0001	0

\*98203/143542\*

**Example 7 for /DISPLAY NODE RECOVERY Command**

Entry ET:

/DISPLAY NODE DTSLU\* DTSLU202 L3270A RECOVERY

Response ET:

NODE-USR	OWNER	SRM	CONV	STSN	FPATH
DTSLU002	IMSA	GLOBAL	Y	Y	Y
DTSLU603					
-IMSUS04	IMSA	LOCAL	Y	Y	Y
DTSLU202	IMSB	GLOBAL	Y	N	N
L3270A	IMSA	LOCAL	Y	N	Y

\*99240/134730\*

**Example for /DISPLAY OASN Command**

Entry ET:  
/DISPLAY OASN SUBSYS ALL

Response ET:  
SUBSYS OASN  
SSTR  
0000000001  
\*90207/095627\*

**Example for /DISPLAY OLDS Command**

Entry ET:  
/DISPLAY OLDS

Response ET:  
OLDS-DDNAME % FULL RATE ARCH-JOB ARCH-STATUS OTHER-STATUS  
\*DFSOLP00 37 9 IN USE  
DFSOLP02 AVAILABLE  
DFSOLP01 AVAILABLE  
SINGLE OLDS LOGGING, SINGLE WADS LOGGING  
AUTOMATIC ARCHIVE = 01  
WADS = \*DFSWADS0 DFSWADS1  
SLDSREAD ON  
\*89184/141407\*

**Examples for /DISPLAY OTMA Command**

The following are examples of the /DISPLAY OTMA command.

**Example 1 for /DISPLAY OTMA Command**

Entry ET:  
/DISPLAY OTMA

Response ET:  
GROUP/MEMBER XCF-STATUS USER-STATUS SECURITY  
HOANG  
-APPL8 ACTIVE SERVER FULL  
-CLIENT1 ACTIVE ACCEPT TRAFFIC  
\*94165/165753\*

**Example 2 for /DISPLAY OTMA Command**

Entry ET:  
/DISPLAY OTMA

Response ET:  
GROUP/MEMBER XCF-STATUS USER-STATUS SECURITY  
HOANG  
-APPL8 NOT DEFINED SERVER FULL  
-CLIENT1 ACTIVE ACCEPT TRAFFIC  
\*94165/165753\*

**Example for /DISPLAY OVERFLOWQ Command**

Entry ET:  
/DISPLAY OVERFLOWQ STRUCTURE ALL

Response ET:

**Example for /DISPLAY OVERFLOWQ Command**

```

STRUC-RSCTYPE      OFLSTRUC-RSCNAME  LUNAME-TMEMBER    TPNAME-TPIPE
IMSMGQ01          IMSMSGQ01OFLW
TRANSACTION        TRANA
LTERM              LTERMX
SUSPENDTRAN       TRANA
APPC               TMSTMP- IMSA      LUNAME1           TPNAME1
SERIALTRAN         TRANABC IMSA
APPC               TMSTMP- IMSA
OTMA               TMSTMP- IMSA      TMEMBERA         TPIPEA
APPC               TMSTMP- IMSA      NETWORK2.LUNAME2 TPNM123456789012+
                                                           3456789012345678+
                                                           901234567890

OTMA               TMSTMP- IMSB
REMOTE            TRANB
REMOTE            LTERMA
UNKNOWN           ASIXTEENCHARNAME
REMOTE            MSNAMEA
IMSEMHQ01         OVERFLOW STRUCTURE IS NOT DEFINED
BALGRP            FPPSB1
LTERM             LTERMY
BALGRP            FPPSB2
*95200/170817*
    
```

**Examples for /DISPLAY POOL Command**

The following are examples of the /DISPLAY POOL command.

**Example 1 for /DISPLAY POOL Command**

Entry ET:

```
/DISPLAY POOL ALL
```

Response ET:

NAME	SP#	CURR	MAX	GETS	FREES
IOSB	228	28K	28K	3	0
GIOB	228	0K	0K	0	0
OSWA	228	8K	8K	1	0
GOWA	228	0K	0K	0	0
PST	231	52K	56K	14	1
DPST	231	40K	44K	11	1
SAP	231	132K	132K	32	0
GQMW	231	16K	16K	4	0
LQMW	0	324K	324K	81	0
D1WA	228	8K	8K	2	0
DL2W	0	8K	8K	2	0
DG2W	231	4K	4K	1	0
QSAV	231	4K	16K	3	2
VRPL	231	16K	16K	4	0
LSAV	0	808K	808K	201	1
AWE	231	112K	112K	28	0
PDIR	231	36K	36K	1	0
DDIR	231	28K	28K	1	0
LCRE	241	4K	4K	1	0
PCIB	0	0K	0K	0	0
SIDX	241	4K	4K	1	0
RRE	241	4K	4K	1	0
SMB	231	62K	62K	1	0
BCPT	231	4K	4K	1	0
GESE	241	0K	0K	0	0
EPST	231	208K	208K	20	0
IDT	241	0K	0K	0	0
DBRC	231	0K	0K	0	0
TTAB	231	224K	224K	56	0
EZS	241	0K	0K	0	0
FNCB	231	0K	0K	0	0

# Examples for /DISPLAY POOL Command

IBM Confidential

```

TCBT 231      4K      4K      1      0
CMWU 231     12K     12K      3      0
FSRB 228      4K      4K      1      0
KLSD  0       0K      0K      0      0
IRLM 231      0K      0K      0      0
STTR 231     52K     52K     13      0
BQEL 231      0K      0K      0      0
USMU 229      0K      0K      0      0
RCTE 231      3K      3K      1      0
SLOG 231      4K      4K      1      0
ADSC 228      0K      0K      0      0
FPCP 231      0K      0K      0      0
AESL 231      0K      0K      0      0
XPST 231     16K     16K      4      0
BXQE 231     16K     16K      4      0
SRBC 228      8K      8K      2      0
MSGP 241      4K      4K      1      0
LPST 251      8K      8K      2      0
CULE 231      4K      4K      1      0
RPST 241      4K      4K      1      0
VTCB 251     18K     18K      0      0
RECA  0      19K     19K      1      0
GSAV 231      0K      0K      0      0
FEIB 231      0K      0K      0      0
IEQE  0       0K      0K      0      0
L56X 231      4K      4K      1      0
X124 241      4K      4K      1      0
STAT 241      4K      4K      1      0
EQEL 241      0K      0K      0      0
TT24 231     24K     24K      6      0
LGWA 231    104K    104K     26      0
VWA  231      8K      8K      2      0
LGWX  0       0K      0K      0      0
LQB  251    104K    104K      0      0
RCNT 251      2K      2K      0      0
DDRE  0       0K      0K      0      0
CCB  0       0K      0K      0      0
LGND 251      8K      8K      2      0
USRD 251      4K      4K      1      0
LS24  0       2K      2K      1      0
GS24 231      0K      0K      0      0
CLLE 231     64K     64K     16      1
QMBA  0       8K      8K      1      0
AHDR 251      0K      0K      0      0
XMCI 241    180K    180K     45      1
DBPB 231      0K      0K      0      0
LG24  0      12K     12K      3      0
IAFP 231      0K      0K      0      0
RACW 231      0K      0K      0      0
LUB  251      0K      0K      0      0
TIB  251     28K     28K      1      0
DESC 251      0K      0K      0      0
PF62 251      0K      0K      0      0
QAB  251      0K      0K      0      0
LCLL  0     436K    436K    109      0
CBLK 251      0K      0K      0      0
SVPG 231     24K     24K      6      0
SVPL  0     148K    148K     37      0
SOPB  0       0K      0K      0      0
CBT POOLS      GLBL  1541K  LCL  2236K
MESSAGE QUEUE POOL:  BFRS/SIZE 20/2112
ENQ   6 DEQ   6 CAN   30 WAIT   0 I/O   15  ERR   0
QBLKS:  MAX # RECORDS AVAIL  1332  CUR IN USE   3 = 0 %
MSGQ:  MAX # RECORDS AVAIL  5940  CUR IN USE   4 = 0 %
LMSGQ:  MAX # RECORDS AVAIL  1350  CUR IN USE   4 = 0 %
MESSAGE FORMAT POOL:  SIZE  49152  SPACE  48576  DIRS  9011
REQ1   2 I/O   2  DIR   4

```

```

WAIT          2 FREE      48432 ERR          0
SEQUENTIAL BUFFERING: STATUS = NOT INIT
MAX   N.A. FREE   N.A. CURR    0K HIGH    0K
OSAM DB BUFFER POOL: ID 004K BSIZE  4K NBUF 1000 FX=Y/Y
LCTREQ 1765296 NEWBLK  0 ALTREQ  340800
PURGRQ  39371 FNDIPL 1370897 BFSRCH 1987604
RDREQ  378355 BFSTLW  0 PURGWR  150284
WBSYID  1431 WBSYWR  0 WBSYRD  0
WRLSEO  296 WNOBFR  0 ERRORS 00000/00000
OSAM DB BUFFER POOL: ID 008K BSIZE  8K NBUF 100 FX=Y/Y
LCTREQ 228080 NEWBLK  0 ALTREQ  0
PURGRQ  0 FNDIPL 204190 BFSRCH  316566
RDREQ  23891 BFSTLW  0 PURGWR  0
WBSYID  0 WBSYWR  0 WBSYRD  0
WRLSEO  0 WNOBFR  0 ERRORS 00000/00000
OSAM DB BUFFER POOL: ID 012K BSIZE 12K NBUF 100 FX=Y/Y
LCTREQ  83282 NEWBLK  0 ALTREQ  6896
PURGRQ  4384 FNDIPL  70743 BFSRCH  81395
RDREQ  7622 BFSTLW  0 PURGWR  6118
WBSYID  0 WBSYWR  0 WBSYRD  0
WRLSEO  0 WNOBFR  0 ERRORS 00000/00000
OSAM DB BUFFER POOL: BSIZE ALL NBUF 1200 OSM= 6000K
LCTREQ 2076667 NEWBLK  0 ALTREQ  347697
PURGRQ  43755 FNDIPL 1645837 BFSRCH 2385576
RDREQ  409869 BFSTLW  0 PURGWR  156402
WBSYID  1431 WBSYWR  0 WBSYRD  0
WRLSEO  296 WNOBFR  0 ERRORS 00000/00000
VSAM DB BUFFER POOL: ID VLP1 BSIZE  2K TYPE D FX=N/Y/N
RRBA  0 RKEY  0 BFALT  0
NREC  0 SYNC PT 29446 NBUFS  500
VRDS  1253 FOUND  0 VWTS  68
HSR-S  0 HSW-S  0 HS NBUFS  0
HS R/W-FAIL 000000/000000 ERRORS 000000/000000
VSAM DB BUFFER POOL: ID VLP1 BSIZE  4K TYPE D FX=N/Y/N
RRBA  370 RKEY 187583 BFALT  0
NREC 10750 SYNC PT 29446 NBUFS 1000
VRDS 145632 FOUND  0 VWTS 9771
HSR-S  0 HSW-S  50 HS NBUFS  50
HS R/W-FAIL 000000/000000 ERRORS 000000/000000
VSAM DB BUFFER POOL: ID VPL1 BSIZE  8K TYPE D FX=N/Y/N
RRBA  7375 RKEY  6704 BFALT  0
NREC  0 SYNC PT 29446 NBUFS  100
VRDS  7362 FOUND  0 VWTS  0
HSR-S  0 HSW-S  0 HS NBUFS  0
HS R/W-FAIL 000000/000000 ERRORS 000000/000000
VSAM DB BUFFER POOL: BSIZE ALL VS= 5800K HS= 200K
RRBA  7745 RKEY 194287 BFALT  0
NREC 10752 SYNC PT 29446 NBUFS 1600
VRDS 154247 FOUND  0 VWTS 9839
HSR-S  0 HSW-S  50 HS NBUFS  50
HS R/W-FAIL 000000/000000 ERRORS 000000/000000
DMPB BUFFER POOL:
SIZE 200K FREE 200K HIGH 0K
PSBP BUFFER POOL:
SIZE 80K FREE 80K HIGH 0K
DPSB BUFFER POOL:
SIZE 160K FREE 160K HIGH 0K
CIOP BUFFER POOL:
SIZE 14K HIGH 65K LIMIT NONE OVERFLOW 0K
MAIN BUFFER POOL:
SIZE 40K FREE 39K HIGH 1K
SPAP BUFFER POOL:
SIZE 0K HIGH 0K LIMIT 9999K OVERFLOW 0K
PSBW BUFFER POOL:
SIZE 600K FREE 600K HIGH 0K
DBWP BUFFER POOL:
SIZE 80K FREE 80K HIGH 0K

```

```

HIOP BUFFER POOL:
  SIZE      214K HIGH      420K LIMIT    9999K OVERFLOW    0K
FPDB BUFFER POOL:
  AVAIL =    60 WRITING =    0 PGMUSE =    0 UNFIXED =    90
POOLNAME CFSIZE PBUF SBUF  MAX CURRENT LK HITS VALID
  1024 01024 00064 00016 00256 00064  N   NA   NA
  2048 02048 00064 00016 00256 00064  N   NA   NA
CESS BUFFER POOL:
  POOL IS NOT AVAILABLE FOR STATISTICS
EMHB BUFFER POOL:
  SIZE      0K HIGH      0K LIMIT    NONE    OVERFLOW    0K
FPWP BUFFER POOL:
  SIZE      0K HIGH      0K LIMIT    NONE    OVERFLOW    0K
EPCB BUFFER POOL:
  SIZE     300K FREE     300K HIGH      0K
LUMP BUFFER POOL:
  SIZE      68K HIGH      68K LIMIT    NONE    OVERFLOW    0K
LUMC BUFFER POOL:
  SIZE      0K HIGH      32K LIMIT    NONE    OVERFLOW    0K
*92120/134306*

```

**Example 2 for /DISPLAY POOL Command**

Entry ET:

/DISPLAY POOL AOIP

Response ET:

```

AOIP BUFFER POOL:
  SIZE      32K HIGH      32K LIMIT    NONE    OVERFLOW    0K
*92280/095545*

```

**Example 3 for /DISPLAY POOL Command**

Entry ET:

/DISPLAY POOL CBT

Response ET:

NAME	SP#	CURR	MAX	GETS	FREES
IOSB	228	20K	20K	1	0
GIOB	228	0K	0K	0	0
OSWA	228	8K	8K	1	0
GOWA	228	0K	0K	0	0
PST	231	52K	56K	14	1
DPST	231	40K	44K	11	1
SAP	231	28K	28K	6	0
GQMW	231	12K	12K	3	0
LQMW	0	40K	40K	10	0
D1WA	228	8K	8K	2	0
DL2W	0	8K	8K	2	0
DG2W	231	4K	4K	1	0
QSAV	231	4K	12K	2	1
VRPL	231	16K	16K	4	0
LSAV	0	68K	72K	17	1
AWE	231	12K	12K	3	0
PDIR	231	36K	36K	1	0
DDIR	231	28K	28K	1	0
LCRE	241	4K	4K	1	0
PCIB	0	0K	0K	0	0
SIDX	241	4K	4K	1	0
RRE	241	4K	4K	1	0
SMB	231	61K	61K	1	0
BCPT	231	4K	4K	1	0
GESE	241	0K	0K	0	0
EPST	231	144K	144K	20	0
IDT	241	0K	0K	0	0
DBRC	231	0K	0K	0	0



TTAB	231	184K	184K	46	0
EZS	241	0K	0K	0	0
FNCB	231	0K	0K	0	0
TCBT	231	4K	4K	1	0
CMWU	231	8K	8K	2	0
FSRB	228	4K	4K	1	0
KLSD	0	0K	0K	0	0
IRLM	231	0K	0K	0	0
STTR	231	52K	52K	13	0
BQEL	231	0K	0K	0	0
USMU	229	0K	0K	0	0
RCTE	231	3K	3K	1	0
SLOG	231	4K	4K	1	0
ADSC	228	0K	0K	0	0
FPCP	231	0K	0K	0	0
AESL	231	0K	0K	0	0
XPST	231	16K	16K	4	0
BXQE	231	16K	16K	4	0
SRBC	228	8K	8K	2	0
MSGP	241	4K	4K	1	0
LPST	251	8K	8K	2	0
CULE	231	152K	152K	1	0
RPST	241	4K	4K	1	0
VTCB	251	305K	305K	0	0
RECA	0	19K	19K	1	0
GSAV	231	0K	0K	0	0
FEIB	231	0K	0K	0	0
IEQE	0	0K	0K	0	0
L56X	231	4K	4K	1	0
X124	241	4K	4K	1	0
STAT	241	4K	4K	1	0
EQEL	241	0K	0K	0	0
TT24	231	24K	24K	6	0
LGWA	231	104K	104K	26	0
VWA	231	8K	8K	2	0
LGWX	0	0K	0K	0	0
LQB	251	104K	104K	0	0
RCNT	251	4K	4K	0	0
DDRE	0	0K	0K	0	0
CCB	0	0K	0K	0	0
LGND	251	8K	8K	2	0
USRD	251	4K	4K	1	0
LS24	0	2K	2K	1	0
GS24	231	0K	0K	0	0
CLLE	231	60K	64K	16	1
QMBA	0	8K	8K	1	0
AHDR	251	0K	0K	0	0
XMCI	241	32K	36K	9	1
DBPB	231	0K	0K	0	0
LG24	0	12K	12K	3	0
IAFP	231	0K	0K	0	0
RACW	231	0K	0K	0	0
LUB	251	0K	0K	0	0
TIB	251	28K	28K	1	0
DESC	251	4K	4K	1	0
PF62	251	0K	0K	0	0
QAB	251	0K	0K	0	0
LCLL	0	36K	36K	9	0
CBLK	251	0K	0K	0	0
CBT POOLS		GLBL	1187K	LCL	658K

\*91057/132506\*

**Example 4 for /DISPLAY POOL Command**

Entry ET:

/DISPLAY POOL CIOP SPAP HIOP CESS EMHB FPWP LUMP LUMC

## Response ET:

```

CIOP BUFFER POOL:
SIZE      16K HIGH      96K LIMIT      999K OVERFLOW      0K
SPAP BUFFER POOL:
SIZE       0K HIGH       0K LIMIT      9999K OVERFLOW      0K
HIOP BUFFER POOL:
SIZE      128K HIGH     128K LIMIT      9999K OVERFLOW      0K
CESS BUFFER POOL:
POOL IS NOT AVAILABLE FOR STATISTICS
EMHB BUFFER POOL:
SIZE       0K HIGH       0K LIMIT      9999K OVERFLOW      0K
FPWP BUFFER POOL:
SIZE       0K HIGH       0K LIMIT      9999K OVERFLOW      0K
LUMP BUFFER POOL:
SIZE       32K HIGH      32K LIMIT      NONE OVERFLOW      0K
LUMC BUFFER POOL:
SIZE       0K HIGH      32K LIMIT      NONE OVERFLOW      0K
*91051/161116*

```

**Example 5 for /DISPLAY POOL Command**

## Entry ET:

```
/DISPLAY POOL DBAS
```

## Response ET:

```

SEQUENTIAL BUFFERING:  STATUS = NOT INIT
MAX  N.A.  FREE  N.A.  CURR      0K HIGH      0K
OSAM DB BUFFER POOL:  ID  BSIZE  2K  NBUF  4  FX=N/N
LCTREQ  0      NEWBLK  0      ALTREQ  0
PURGRQ  0      FNDIPL  0      BFSRCH  0
RDREQ   0      BFSTLW  0      PURGWR  0
WBSYID  0      WBSYWR  0      WBSYRD  0
WRLSEO  0      WNOBFR  0      ERRORS  00000/00000
OSAM DB BUFFER POOL:  ID  BSIZE  6K  NBUF  4  FX=N/N
LCTREQ  0      NEWBLK  0      ALTREQ  0
PURGRQ  0      FNDIPL  0      BFSRCH  0
RDREQ   0      BFSTLW  0      PURGWR  0
WBSYID  0      WBSYWR  0      WBSYRD  0
WRLSEO  0      WNOBFR  0      ERRORS  00000/00000
OSAM DB BUFFER POOL:  ID  BSIZE  8K  NBUF  4  FX=N/N
LCTREQ  0      NEWBLK  0      ALTREQ  0
PURGRQ  0      FNDIPL  0      BFSRCH  0
RDREQ   0      BFSTLW  0      PURGWR  0
WBSYID  0      WBSYWR  0      WBSYRD  0
WRLSEO  0      WNOBFR  0      ERRORS  00000/00000
OSAM DB BUFFER POOL:  BSIZE ALL NBUF  12 OSM= 64K
LCTREQ  0      NEWBLK  0      ALTREQ  0
PURGRQ  0      FNDIPL  0      BFSRCH  0
RDREQ   0      BFSTLW  0      PURGWR  0
WBSYID  0      WBSYWR  0      WBSYRD  0
WRLSEO  0      WNOBFR  0      ERRORS  00000/00000
VSAM DB BUFFER POOL:  ID XXXX BSIZE  1K  TYPE  D  FX=N/N/N
RRBA    0      RKEY    0      BFALT  0
NREC    0      SYNC PT  0      NBUFS  8
VRDS    0      FOUND   0      VWTS   0
HSR-S   0      HSW-S   0      HS NBUFS 0
HS R/W-FAIL 000000/000000  ERRORS 000000/000000
VSAM DB BUFFER POOL:  ID XXXX BSIZE  2K  TYPE  D  FX=N/N/N
RRBA    0      RKEY    0      BFALT  0
NREC    0      SYNC PT  0      NBUFS  4
VRDS    0      FOUND   0      VWTS   0
HSR-S   0      HSW-S   0      HS NBUFS 0
HS R/W-FAIL 000000/000000  ERRORS 000000/000000
VSAM DB BUFFER POOL:  ID XXXX BSIZE  8K  TYPE  D  FX=N/N/N
RRBA    0      RKEY    0      BFALT  0
NREC    0      SYNC PT  0      NBUFS  4

```

```

VRDS      0      FOUND      0      VWTS      0
HSR-S     0      HSW-S     0      HS NBUFS  0
HS R/W-FAIL 000000/000000  ERRORS 000000/000000
VSAM DB BUFFER POOL: BSIZE ALL VS= 48K  HS= 0K
RRBA      0      RKEY      0      BFALT     0
NREC      0      SYNC PT   0      NBUFS    16
VRDS      0      FOUND      0      VWTS      0
HSR-S     0      HSW-S     0      HS NBUFS  0
HS R/W-FAIL 000000/000000  ERRORS 000000/000000
*92120/134346*
    
```

**Example 6 for /DISPLAY POOL Command**

Entry ET:

/DISPLAY POOL DBB

Response ET:

NAME	SP#	CURR	MAX	GETS	FREES
PDIR	231	36K	36K	1	0
DDIR	231	28K	28K	1	0
SMB	231	61K	61K	1	0
BQEL	231	0K	0K	0	0
IEQE	0	0K	0K	0	0
EQEL	241	0K	0K	0	0
DDRE	0	0K	0K	0	0
CLASS =	DBB	GLBL	125K	LCL	0K
CBT POOLS		GLBL	1187K	LCL	662K

\*91051/161027\*

**Example 7 for /DISPLAY POOL Command**

Entry ET:

/DISPLAY POOL DCC

Response ET:

NAME	SP#	CURR	MAX	GETS	FREES
PCIB	0	0K	0K	0	0
VTCB	251	305K	305K	0	0
RECA	0	19K	19K	1	0
LGND	251	16K	16K	4	0
AHDR	251	0K	0K	0	0
IAFP	231	0K	0K	0	0
RACW	231	0K	0K	0	0
LUB	251	0K	0K	0	0
TIB	251	28K	28K	1	0
DESC	251	0K	0K	0	0
PF62	251	0K	0K	0	0
QAB	251	0K	0K	0	0
CBLK	251	0K	0K	0	0
CLASS =	DCC	GLBL	0K	LCL	368K
CBT POOLS		GLBL	1187K	LCL	662K

\*91051/161038\*

**Example 8 for /DISPLAY POOL Command**

Entry ET:

/DISPLAY POOL FPDB

Response ET:

POOLNAME	CISIZE	PBUF	SBUF	MAX CURRENT	LK	HITS	VALID
V\$\$CFSTRUCTURE1	04096	00100	00010	00500	00100	N	000% NA
POOL4	04096	00010	00010	00500	00010	Y	NA NA

**Example 9 for /DISPLAY POOL Command**

Entry ET:

/DISPLAY POOL MFP

Response ET:

```

MESSAGE FORMAT POOL:  SIZE      49152 SPACE      48576 DIRS      9011
REQ1              2  I/O              2  DIR          4
WAIT              2  FREE           48432  ERR          0
*91051/172502*

```

**Example 10 for /DISPLAY POOL Command**

Entry ET:

/DISPLAY POOL MFP CIOP MAIN

Response ET:

```

MESSAGE FORMAT POOL:  SIZE      49152 SPACE      48576 DIRS      9011
REQ1              2  I/O              2  DIR          4
WAIT              2  FREE           48432  ERR          0
CIOP BUFFER POOL:
SIZE      96K HIGH      96K LIMIT      999K OVERFLOW      0K
MAIN BUFFER POOL:
SIZE      40K FREE      40K HIGH      5K
*91051/160913*

```

**Example 11 for /DISPLAY POOL Command**

Entry ET:

/DISPLAY POOL MFP STAT

Response ET:

```

MFBP BUFFER POOL:
0170 00000000 00000002 00000002 00000000 00000004 00000000 00000000 00000002
0190 00000000 00000000 00000000 00000002 00000000 00000000 00000000 00000000
01B0 00000000 00000001
*91051/172508*

```

**Example 12 for /DISPLAY POOL Command**

Entry ET:

/DISPLAY POOL PSBP

Response ET:

```

PSBP BUFFER POOL:
SIZE      80K FREE      80K HIGH      0K
DPSB BUFFER POOL:
SIZE     160K FREE     160K HIGH      0K
*91051/161048*

```

**Example 13 for /DISPLAY POOL Command**

Entry ET:

/DISPLAY POOL QBUF

Response ET:

```

MESSAGE QUEUE POOL:  BFRS/SIZE 20/2112          SYS3
ENQ   18 DEQ   18 CAN   52 WAIT   0 I/O   15 ERR  0
QBLKS: MAX # RECORDS AVAIL      5 CUR IN USE      3 = 60 %
MSGGQ: MAX # RECORDS AVAIL  262167 CUR IN USE      4 =  0 %
LMSGQ: MAX # RECORDS AVAIL  524293 CUR IN USE      2 =  0 %
*91051/172432*

```

**Example 14 for /DISPLAY POOL Command**

Entry ET:

/DISPLAY POOL QBUF STAT

Response ET:

```

QBUF BUFFER POOL:
0054 00000000 0000005E 00000126 00000001 00000000 00000000 00000007 00000008
0074 00000008 00000000 00000000 00000000 00000000 00000000 00000000 00000000
0094 00000000 00000000 00000000 00000019 00000323 00000000 00000013 00000013
00B4 00000035 00000003 00000004 00000002
*91051/172440*  SYS3
    
```

**Example 15 for /DISPLAY POOL Command**

Entry ET:

/DISPLAY POOL SUM

Response ET:

```

CBT POOLS      GLBL    1187K  LCL    662K
CLASS = OSAM   GLBL     28K   LCL     0K
CLASS = GEN    GLBL    724K   LCL    54K
CLASS = DEP    GLBL    216K   LCL     0K
CLASS = DISP   GLBL     88K   LCL   128K
CLASS = DBB    GLBL    125K   LCL     0K
CLASS = DCC    GLBL     0K   LCL   368K
CLASS = FP     GLBL     7K   LCL     0K
*91051/161003*
    
```

**Example for /DISPLAY PROGRAM Command**

Entry ET:

/DISPLAY PROGRAM APOL1 DBFSAMP3 BMP255

Response ET:

```

PROGRAM      TRAN      TYPE
APOL1        APOL11    TP
              APOL12
              APOL13
              APOL14
              APOL15
              APOL16
              APOL17
              APOL18
DBFSAMP3     FPSAMP1    FPM
BMP255       TRAN255    BMP
              TXCD255
              TXCD255W
*90288/140450*  SYS3
    
```

Entry ET:

/DISPLAY PROGRAM ALL

Response ET:

```

PROGRAM      TRAN      TYPE
AD2TP        TSTAD2A    TP  NOTINIT
              TSTAD2R1
APOL1        APOL11    TP  NOTINIT
              APOL12
A3270        A3270     TP  NOTINIT
              3270S
BMAAJK41     BHE4       TP  NOTINIT
              NQE4
    
```

## Example for /DISPLAY PROGRAM Command

IBM Confidential

```

SHE4
BMP255      TRAN255    BMP  NOTINIT
BTAEJK01   BMP  NOTINIT
BTAPJK01   BMP  NOTINIT
BTAPJK11   BMP  NOTINIT
BTAPJK21   BMP  NOTINIT
BTGGJK01   BMP  NOTINIT
BTGGJK11   BMP  NOTINIT
BTGOJK01   BMP  NOTINIT
BTGRJK05   BMP  NOTINIT
CPGM1V0    CONV11V0    TP   NOTINIT
           CONV12V0
           CONV13V0

DBF#FPU0   FPU
DBFSAMP3   FPSAMP1   FPM
DBFSAMP4   FPSAMP2   TP   NOTINIT
DBFSAM22   TP1         FPM
DBFSAM99   TP2         TP   NOTINIT
DCLECHOS   DCL         TP   NOTINIT
DDLTP04    TXCDBP04   FPM
DDLTP05    TXCDBP05   FPM
DDLTP06    TXCDBP06   FPM
DDLTP07    TXCDBP07   FPM  NOTINIT
DDLTP08    TXCDBP08   FPM  NOTINIT
DDLTP09    TXCDBP09   FPM  NOTINIT
V2MPPA02   V2MRP01     TP   NOTINIT
           V2MRP02
V2MPPC01   V2SNS01     TP
           V2SRS02
V2MPPC02   V2MRS04     TP   NOTINIT
V2MPPP01   V2SNS02     TP   NOTINIT
           V2SRS03
           V2SRS04
V2MPPPP02  V2MRP03     TP   NOTINIT
           V2SRP01
WTCPLI     TESTPLI    TP   NOTINIT
*89184/142553*

```

## Example for /DISPLAY PSB Command

Entry ET:

```
/DISPLAY PSB DDLTLM06 DDLTLM07
```

Response ET:

PSB-NAME	TRANCODE	RTCODE	DBD-NAME	ACCESS			
DDLTLM06	TXCDLM06	TXCDLM06	MSDBLM01	R/W			
			MSDBLM02	R/W			
			MSDBLM03	R/W			
			MSDBLM01	R/W			
			MSDBLM04	R/W			
			MSDBLM04	R/W			
			MSDBLM05	R/W			
			MSDBLM05	R/W			
			MSDBLM06	R/W			
			MSDBLM06	R/W			
			MSDBLM06	R/W			
			MSDBLM06	R/O			
			DDLTLM07	TXCDLM07	TXCDLM07	MSDBLM01	R/W
						MSDBLM02	R/W
MSDBLM03	R/W						
MSDBLM01	R/O						
MSDBLM04	R/W						
MSDBLM04	R/W						
			MSDBLM05	R/W			
			MSDBLM05	R/W			

```
MSDBLM06 R/W
MSDBLM06 R/W
MSDBLM06 R/W
MSDBLM06 R/O
MSDBLM07 R/W
```

\*91068/111601\*

### Example for /DISPLAY PTERM Command

This example shows the display of all physical terminals that are being traced.

Entry ET:

```
/DISPLAY PTERM TRA
```

Response ET:

```

LIN/PTE  TYPE      ADDR  RECD  ENQCT  DEQCT  QCT  SENT
  2-    1 2740-II ***      0      0      0      0  ØSTOPPED INOP NOTOPEN TRA
  2-    2 2740-II ***      0      0      0      0  ØSTOPPED INOP NOTOPEN TRA
 11-    1 2740-II ***      0      0      0      0  ØSTOPPED INOP NOTOPEN TRA
 11-    2 2740-II ***      0      0      0      0  ØSTOPPED INOP NOTOPEN TRA
*89184/142950*
```

### Examples for /DISPLAY Q Command

The following are examples of the /DISPLAY Q command.

#### Example 1 for /DISPLAY Q Command

Entry ET:

```
/DISPLAY Q
```

Response ET:

```

CLS CT  PTY CT  MSG CT  TRAN CT
  3      5      28      8
*90253/103811*
```

Entry ET:

```
/DISPLAY Q BALGRP
```

Response ET:

```

BALGRP  NO.RGNS  MSG CT  ENQ COUNT  DEQ COUNT
DDLTM06      1      1      2      1
DDLTM07      1      0      0      0
*91068/112000*
```

Entry ET:

```
/DISPLAY Q BALGRP QCNT
```

Response ET:

```

BALGRP      GBLQCT
SMQFP1      2
SMQFP2      3
*96197/174618*
```

Entry ET:

```
/DISPLAY Q CLASS ALL
```

Response ET:

CLS	PTY CT	MSG CT	TRAN CT
1	1	2	1
2	1	2	1
3	1	4	1

\*90253/103855\*

Entry ET:

/DISPLAY Q CLASS 1 2

Response ET:

CLS	PTY CT	MSG CT	TRAN CT
1	1	2	1
2	1	2	1

\*90253/103913\*

Entry ET:

/DISPLAY Q PRIORITY ALL

Response ET:

CLS	PTY	MSG CT	TRAN CT
1	9	2	1
2	1	2	1
3	5	4	1

\*90253/103945\*

Entry ET:

/DISPLAY Q PRIORITY 10

Response ET:

CLS	PTY	MSG CT	TRAN CT
4	10	18	3

\*90253/1104016

Entry ET:

/DISPLAY Q CLASS 4 PRIORITY 10

Response ET:

CLS	PTY	MSG CT	TRAN CT
4	10	18	3

\*90309/122418\*

Entry ET:

/DISPLAY Q TRANSACTION

Response ET:

CLS	PTY	MSG CT	TRAN	PSBNAME
3	10	3	CLOSE	DFSSAM05
4	10	2	ADDPART	DFSSAM04
4	10	4	PART	DFSSAM02
5	7	1	ADDINV	DFSSAM04
5	10	5	DLETINV	DFSSAM04

\*90243/110324\*

Entry ET:

/DISPLAY Q CLASS 3 5 TRANSACTION

Response ET:



```

CLS      PTY      MSG CT TRAN      PSBNAME
  3        10        3  CLOSE  DFSSAM05
  5         7        1  ADDINV DFSSAM04
  5        10        5  DLETIN DFSSAM04
*90243/110332*
    
```

Entry ET:

```
/DISPLAY Q CLASS 4 PRIORITY 10 11 TRANSACTION
```

Response ET:

```

CLS      PTY      MSG CT TRAN      PSBNAME
  4        10        2  ADDBART DFSSAM04
  4        10        4  PART    DFSSAM02
*90243/110343*
    
```

Entry ET:

```
/DISPLAY Q CLASS 1 2 3 PRIORITY 1
```

Response ET:

```

CLS      PTY      MSG CT  TRAN CT
  1         1         2     1
  2         1         2     1
  3         1         4     1
*90253/104321*
    
```

### Example 2 for /DISPLAY Q Command

Entry ET:

```
/DISPLAY QUEUE TRANSACTION
```

Response ET:

```

CLS      PTY      MSG CT  TRAN      PSBNAME
  20       5         2  TPN1    DFSCPIC
  20       2         5  TPN2    SAAPSB1
  22       3         7  TPN3    SAAPSB2
*90332/114253*
    
```

### Example for /DISPLAY QCNT Command

Entry ET:

```
/DISPLAY QCNT LTERM MSGAGE 5
```

Response ET:

```

QUEUENAME          QCNT-TOTAL      QCNT-AGED      TSTMP-OLD      TSTMP-NEW
TESTLTERA              1                1      95280/132006  95280/132006
LTERMABC              4                4      95274/083000  95275/091836
LTERMA              100              100      95275/080000  95281/212224
*95290/132006*
    
```

Entry ET:

```
/DIS QCNT APPC MSGAGE 0
```

Response ET:

```

QUEUENAME          QCNT-TOTAL      QCNT-AGED      TSTMP-OLD      TSTMP-NEW
TMSTMP- SYS3              16                16      02192/080833  02192/080928
LUNAME: L62MVS1
TPNAME: TPNAME123
    
```

```

TMSTMP- IMS2          12          12    02192/080620 02192/080658
LUNAME: NETWRKID.L62IMS1
TPNAME: ABCDEFGHIJKLMNOPQRSTUVWXYZ
*02192/081543*
    
```

Entry ET:

```
/DISPLAY QCNT TRANSACTION MSGAGE 5
```

Response ET:

QUEUENAME	QCNT-TOTAL	QCNT-AGED	TSTMP-OLD	TSTMP-NEW
TRANA	20	20	95200/132006	95280/132006
TRANBBBB	4	4	95274/083000	95275/091836
TRANSACA	220	220	95275/080000	95281/212224
TRANSDDD	13	0	95290/101455	95290/101456
TRANSEEE	55	13	95277/152118	95290/114317
*95290/132006*				

Entry ET:

```
/DIS QCNT OTMA MSGAGE 0
```

Response ET:

QUEUENAME	QCNT-TOTAL	QCNT-AGED	TSTMP-OLD	TSTMP-NEW
TMSTMP- SYS3	24	24	02192/083745	02192/083745
TMEMBER: VC5				
TPIPE: CSQ0000D				
*02192/083757*				

## 2 Examples for /DISPLAY RECOVERY Command

2 The following are examples of the /DISPLAY RECOVERY command.

### 2 Example 1 for /DISPLAY RECOVERY Command

2 In this example a /DISPLAY RECOVERY command is issued before a /RECOVER START  
2 for RCVTOKEN RECOV1 is issued.

2 Entry ET:

```
/DISPLAY RECOVERY RCVTOKEN RECOV1
```

2 Response ET:

```

**** RECOVERY LIST INFORMATION ****
TOKEN  STATUS  ERROR- REC TYPE  PROC  IC#  SOURCE
RECOV1 FORMING N/A   N/A    N/A    N/A  N/A
**** RECOVERY LIST ENTRY INFORMATION ****
DATABASE DATA SET  START OPTION  STATUS  AUTH SSID
DB23AR1             STAGLOBAL    NORMAL  NONE
DB23AR2             OFFLINE      NORMAL  NONE
DB23AR3             STAGLOBAL    NORMAL  NONE
DB23AR4             STALOCAL    NORMAL  NONE
DB23AR5             STALOCAL    NORMAL  NONE
DHVNTZ02 HIDAM     STAGLOBAL    NORMAL  NONE
DIVNTZ02 DBHVSAM1  OFFLINE      NORMAL  NONE
DXVNTZ02 XDLBT04I STALOCAL    NORMAL  NONE
*03127/153515*
    
```

### 2 Example 2 for /DISPLAY RECOVERY Command

2 In the example below, a /DISPLAY RECOVERY command is issued before a /RECOVER  
2 START for RCVTOKEN RECOV1 is issued. Some of the database data sets in the  
2 recovery list are still authorized to two IMSs.

2 Entry ET:

```

2 /DISPLAY RECOVERY RCVTOKEN RECOV1
2
2 Response ET:
2 **** RECOVERY LIST INFORMATION *****
2 TOKEN STATUS ERROR- REC TYPE PROC IC# SOURCE
2 RECOV1 FORMING N/A N/A N/A N/A
2 **** RECOVERY LIST ENTRY INFORMATION *****
2 DATABASE DATA SET START OPTION STATUS AUTH SSID
2 DB23AR1 STAGLOBAL NORMAL NONE
2 DB23AR2 OFFLINE NORMAL NONE
2 DB23AR3 STAGLOBAL NORMAL NONE
2 DB23AR4 STALOCAL NORMAL NONE
2 DB23AR5 STALOCAL NORMAL NONE
2 DHVNTZ02 HIDAM STAGLOBAL NORMAL IMS1
2 IMS2
2 DIVNTZ02 DBHVSAM1 OFFLINE NORMAL IMS1
2 IMS2
2 DXVNTZ02 XDLBT04I STALOCAL NORMAL IMS1
2 IMS2 *03127/153515*

```

**Example 3 for /DISPLAY RECOVERY Command**

In this example, a /DISPLAY RECOVERY command is issued after a /RECOVER START RCVTOKEN RECOV1 ERRORCONT command was issued when the IMS Database Recovery Facility is the recovery product being used. In this case, all logs have been processed and 3 of the 8 data sets have been restored.

Entry ET:

```

2 /DISPLAY RECOVERY RCVTOKEN RECOV1
2
2 Response ET:
2 **** RECOVERY LIST INFORMATION *****
2 TOKEN STATUS ERROR- REC TYPE PROC IC# SOURCE
2 RECOV1 STARTED CONT FULL RTDB 0 PRI
2 **** RECOVERY PROGRESS INFORMATION *****
2 TOKEN PROGRESS INFORMATION RCVTIME
2 RECOV1 0003 OF 0008 RESTORED N/A
2 **** RECOVERY LIST ENTRY INFORMATION *****
2 DATABASE DATA SET START OPTION STATUS AUTH SSID
2 DB23AR1 STAGLOBAL NORMAL N/A
2 DB23AR2 OFFLINE NORMAL N/A
2 DB23AR3 STAGLOBAL NORMAL N/A
2 DB23AR4 STALOCAL NORMAL N/A
2 DB23AR5 STALOCAL NORMAL N/A
2 DHVNTZ02 HIDAM STAGLOBAL NORMAL N/A
2 DIVNTZ02 DBHVSAM1 OFFLINE NORMAL N/A
2 DXVNTZ02 XDLBT04I STALOCAL NORMAL N/A *03127/153515*

```

**Example 4 for /DISPLAY RECOVERY Command**

In the following example, a /DISPLAY RECOVERY command is issued after a /RECOVER START ERRORCONT command was issued. Also a /RECOVER STOP command was issued for DHVNTZ02, and DB23AR2 failed during a recovery.

Entry ET:

```

2 /DISPLAY RECOVERY RCVTOKEN RECOV1
2
2 Response ET:
2 **** RECOVERY LIST INFORMATION *****
2 TOKEN STATUS ERROR- REC TYPE PROC IC# SOURCE
2 RECOV1 STARTED CONT FULL RTDB 0 PRI
2 **** RECOVERY PROGRESS INFORMATION *****
2 TOKEN PROGRESS INFORMATION RCVTIME
2 RECOV1 2000.251 07:57:00.3 N/A

```

```

2          **** RECOVERY LIST ENTRY INFORMATION ****
2          DATABASE DATA SET  START OPTION  STATUS   AUTH SSID
2          DB23AR1             STAGLOBAL  NORMAL   N/A
2          DB23AR2             OFFLINE    FAILED   N/A
2          DB23AR3             STAGLOBAL  NORMAL   N/A
2          DB23AR4             STALOCAL  NORMAL   N/A
2          DB23AR5             STALOCAL  NORMAL   N/A
2          DHVNTZ02 HIDAM     STAGLOBAL  STOPPED  N/A
2          DIVNTZ02 DBHVSAM1  OFFLINE    NORMAL   N/A
2          DXVNTZ02 XDLBT04I  STALOCAL  NORMAL   N/A *03127/153515*

```

### Example 5 for /DISPLAY RECOVERY Command

In the example below, a /DISPLAY RECOVERY ALL command is issued after three lists are created using the IMS Database Recovery Facility recovery product. In this case the IMS Database Recovery Facility has processed 76 of the 126 logs that will need to be read. One of the lists (RECOV2) is undergoing TSR.

Entry ET:

```
/DISPLAY RECOVERY ALL
```

Response ET:

```

2          **** RECOVERY LIST INFORMATION ****
2          TOKEN  STATUS  ERROR- REC TYPE  PROC  IC#  SOURCE
2          RECOV1 FORMING N/A   N/A     N/A     N/A
2          RECOV2 STARTED CONT  TSR     RTDB   0    PRI
2          RECOV3 FORMING N/A   N/A     N/A     N/A
2          **** RECOVERY PROGRESS INFORMATION ****
2          TOKEN  PROGRESS INFORMATION  RCVTIME
2          RECOV2 0076 OF 0125 LOGS READ  2003.127 08:30:00.0
2          **** RECOVERY LIST ENTRY INFORMATION ****
2          DATABASE DATA SET  START OPTION  STATUS   AUTH SSID
2          DB23AR1             STAGLOBAL  NORMAL   N/A
2          DB23AR2             OFFLINE    NORMAL   N/A
2          DB23AR3             STAGLOBAL  NORMAL   N/A
2          DB23AR4             STALOCAL  NORMAL   N/A
2          DB23AR5             STALOCAL  NORMAL   N/A
2          DHVNTZ02 HIDAM     STAGLOBAL  NORMAL   N/A
2          DIVNTZ02 DBHVSAM1  OFFLINE    NORMAL   N/A
2          DXVNTZ02 XDLBT04I  STALOCAL  NORMAL   N/A *03127/153515*

```

### Example 6 for /DISPLAY RECOVERY Command

In the example below, a /DISPLAY RECOVERY command is issued after three lists are created. No other parameters are specified.

Entry ET:

```
/DISPLAY RECOVERY ALL
```

Response ET:

```

2          **** RECOVERY LIST INFORMATION ****
2          TOKEN  STATUS  ERROR- REC TYPE  PROC  IC#  SOURCE
2          RECOV1 FORMING N/A   N/A     N/A     N/A
2          RECOV2 FORMING N/A   N/A     N/A     N/A
2          RECOV3 FORMING N/A   N/A     N/A     N/A
2          *03127/153515*

```

### Example 7 for /DISPLAY RECOVERY Command

In the example below, a /DISPLAY RECOVERY ALL command is issued when no recovery lists exist.

Entry ET:

```
/DISPLAY RECOVERY ALL
```

```

2      Response ET:
2      **** RECOVERY LIST INFORMATION *****
2      TOKEN  STATUS  ERROR- REC TYPE  PROC  IC#  SOURCE
2      **** RECOVERY LIST INFORMATION *****
2      TOKEN  STATUS  ERROR- REC TYPE  PROC  IC#  SOURCE
2      NO LISTS
2      *03127/153515*
    
```

**Example 8 for /DISPLAY RECOVERY Command**

In the example below, a /DISPLAY RECOVERY RCVTOKEN RECOV3 is issued when the RCVTOKEN does not exist.

```

2      Entry ET:
2      /DISPLAY RECOVERY RCVTOKEN RECOV3
    
```

```

2      Response ET:
2      **** RECOVERY LIST INFORMATION *****
2      TOKEN  STATUS  ERROR- REC TYPE  PROC  IC#  SOURCE
2      **** RECOVERY LIST INFORMATION *****
2      TOKEN  STATUS  ERROR- REC TYPE  PROC  IC#  SOURCE
2      RECOV3  UNKNOWN  N/A    N/A    *03127/153515*
    
```

**2 Example for /DISPLAY RTCODE Command**

```

2      Entry ET:
2      /DISPLAY RTCODE ALL
    
```

```

2      Response ET:
2      RTCODE      PROGRAM      STATUS
2      DCL          EMHPSB       NOTSCHED,STOPPED
2      EMHCOBOL     EMHCOBOL     NOTSCHED,STOPPED
2      EMHPLI       EMHPLI       NOTSCHED,STOPPED
2      EMHTX        EMHPSB       NOTSCHED,STOPPED
2      TXCDLM06     DDLTLM06     STOPPED
2      TXCDLM07     DDLTLM07     STOPPED
2      *91068/114840*
    
```

**Examples of /DISPLAY SHUTDOWN STATUS Command**

The following are examples of the /DISPLAY SHUTDOWN STATUS command.

**Example 1 for /DISPLAY SHUTDOWN STATUS Command**

```

2      Entry ET:
2      /DISPLAY SHUTDOWN STATUS
    
```

```

2      Response ET:
2      DFS134 SHUTDOWN CHECKPOINT NOT IN PROGRESS,
2      CANNOT PROCESS COMMAND
    
```

```

2      Entry ET:
2      /DISPLAY SHUTDOWN STATUS
    
```

```

2      Response ET:
2      SYSTEM PURGING
2
2      TERMINAL  USER  STATUS
2      5-        1      INPUT  IN PROCESS
2      5-        2      INPUT  IN PROCESS
2      11-       1      OUTPUT IN PROCESS
2      TERMINAL  USER  STATUS
    
```

```
LINK 10          OUTPUT IN PROCESS
MSG-IN  2      MSG-OUT  2
MASTER ACTIVE
*91111/222226*
```

Entry ET:

```
/DISPLAY SHUTDOWN STATUS
```

Response ET:

```
TERMINAL USER STATUS
NSLUTP6 SPOOLA AWAITING RESPONSE
NSLUTP6 SPOOLB  5 MSGS IN QUEUE
NSLUTP6 SPOOLC INPUT IN PROCESS
NSLUTP6 SPOOLD OUTPUT IN PROCESS
*91111/222226*
```

### Example 2 for /DISPLAY SHUTDOWN STATUS Command

Entry ET:

```
/DISPLAY SHUTDOWN STATUS
```

Response ET:

```
TERMINAL USER STATUS
5- 1      INPUT IN PROCESS
5- 2      INPUT IN PROCESS
11- 1     OUTPUT IN PROCESS
TERMINAL USER STATUS
LINK 10          OUTPUT IN PROCESS
MSG-IN  2      MSG-OUT  2
MASTER ACTIVE
CPI TRAN TRNCODE1 ACTIVE IN REGID 1
CPI TRAN TRNCODE2 ACTIVE IN REGID 4
IMSLU=L62IMS    #APPC-CONV=          8 ENABLED
LUNAME          STATUS
LUNAME1          3 CONVERSATIONS(S) IN PROCESS
LUNAME1          1 OUTPUT IN PROCESS
LUNAME2          4 CONVERSATIONS(S) IN PROCESS
*90332/114253*
```

Entry ET:

```
/DISPLAY SHUTDOWN STATUS
```

Response ET:

```
TERMINAL SUBPOOL STATUS
5- 1      INPUT IN PROCESS
5- 2      INPUT IN PROCESS
11- 1     OUTPUT IN PROCESS
TERMINAL SUBPOOL STATUS
LINK 10          OUTPUT IN PROCESS
MSG-IN  2      MSG-OUT  2
MASTER ACTIVE
CPI TRAN TRNCODE1 ACTIVE IN REGID1
CPI TRAN TRNCODE2 ACTIVE IN REGID4
IMSLU=SYS1.IMSLUNME #APPC-CONV=          8 ENABLED
LUNAME          STATUS
NETWORK1.LUNAME1  3 CONVERSATION(S) IN PROCESS
NETWORK1.LUNAME1  1 OUTPUT IN PROCESS
NID2.LUNAME2      4 CONVERSATION(S) IN PROCESS
*92232/114253*
```

### Example 3 for /DISPLAY SHUTDOWN STATUS Command

Entry ET:

```
/DISPLAY SHUTDOWN STATUS
```

Response ET:

```

TERMINAL USER      STATUS
1- 1              INPUT IN PROCESS
TERMINAL USER      STATUS
NO OUTPUTTING LINES
MSG-IN 1          MSG-OUT 0
MASTER ACTIVE
OTMA PHASE=2
COMMIT 0 TMBER=CLIENT1          TPIPE=TPIPE1
*94298/174604*

```

## Examples for /DISPLAY STATUS Command

The following are examples of the /DISPLAY STATUS command.

### Example 1 for /DISPLAY STATUS Command

Entry ET:

/DISPLAY STATUS

Response ET:

```

**TRAN****PSBNAME
STATUS UNRESTRICTED
**DATABASE**
BMACC1  NOTOPEN,NOTINIT,STOPPED
DEDB01
-AEA01  RECOVERY-NEEDED
DEDEB03
-AEA02
ADS01   PRE-OPEN FAILED
DEDB04  NOTOPEN,STOPPED
-AEA01  RECOVERY-NEEDED
ADS01   UNAVAILABLE
**PROGRAM***
HIMASN01 STOPPED
SWITCH  STOPPED
**NODE****
CT3275  DISCONNECTED
CT3277A DISCONNECTED
CT3277B SHUT
W612    DISCONNECTED
**LINE*****
4       STOPPED, IDLE
5       STOPPED, IDLE, NOTOPEN
8       STOPPED, IDLE
10      STOPPED, IDLE, NOTOPEN
**PTERM*****
3       1 INOP, STOPPED
3       2 INOP, STOPPED
4       2 INOP, PSTOPPED
5       1 INOP, STOPPED
5       2 INOP, STOPPED
6       1 INOP, STOPPED
**LTERM*****
LU6A    STOPPED
VA01    QLOCK
**CLASS*****
2       STOPPED
**RTCODE***
STATUS UNRESTRICTED
**LINK*****
1       PSTOPPED, IDLE, NOTOPEN
3       PSTOPPED, IDLE, COLD
4       PSTOPPED, IDLE, N/A
5       PSTOPPED, IDLE, NOTOPEN
**MSNAME****

```

```

STATUS UNRESTRICTED
**USER*****
STATUS UNRESTRICTED
**LUNAME**TPNAME****
STATUS UNRESTRICTED
*92198/132223*

```

**Example 2 for /DISPLAY STATUS Command**

Entry ET:

/DISPLAY STATUS DATABASE

Response ET:

```

**DATABASE**
DEDB01
-AEA01      STOPPED
DEDB02
-AEA02      NOTOPEN
-AEA03
  ADS03     PRE-OPEN FAILED
DEDB03
-AEA05      STOPPED,NOTOPEN
  ADS03     PRE-OPEN FAILED
  ADS08     UNAVAILABLE
DEDB04      STOPPED
DEDB05      NOTOPEN,NOTINIT
-AEA01      STOPPED
-AEA08      STOPPED,NOTOPEN
DEDB06      STOPPED
-AEA03
  ADS03     UNAVAILABLE
DEDB0777   NOTOPEN,LOCK
-AEA0555   STOPPED,NOTOPEN
  ADS03333 SEVERE ERROR
  ADS08888 UNAVAILABLE
*90263/092128*

```

**Example 3 for /DISPLAY STATUS Command**

Entry ET:

/DISPLAY STATUS LUNAME

Response ET:

```

**LUNAME/TPNAME**
LU2
-TPN2              STO
LU5
-TPNAME1234567890+ STO
  1234567890
LU3                STO-INP
LU4                STO-OUTP
LU1                STO-INP, STO-OUTP
*95229/155100*

```

Entry ET:

/DISPLAY STATUS LUNAME

Response ET:

```

**LUNAME/TPNAME**
LU2                STO-INP, STO-OUTP
-TPN2              STO
LU5                STO-INP, STO-OUTP
-TPN5              STO
-TPNAME1234567890+ STO
  1234567890

```



```

LU3          STO-INP, STO-OUTP
LU4          STO-INP, STO-OUTP
LU1          STO-INP, STO-OUTP
FUTURE INPUT: STO
FUTURE OUTPUT: STO
*95229/155146*

```

**Example 4 for /DISPLAY STATUS Command**

Entry ET:

```
/DISPLAY STATUS NODE
```

Response ET:

```

**NODE*****
NLUTP6S     DISCONNECTED
NLU1        STOPPED, DISCONNECTED
NLUTP6P
-A          HELD
-N/A        STOPPED, DISCONNECTED
-E          FORCE
-C
*90231/040059*

```

Entry ET:

```
/DISPLAY STATUS RTCODE
```

Response ET:

```

**RTCODE****
DCL         STOPPED
EMHCOBOL    STOPPED
EMHPLI      STOPPED
EMHTX       STOPPED
TXCDBP04    STOPPED
TXCDBP05    STOPPED
TXCDBP06    STOPPED
*91068/114900*

```

**Example 5 for /DISPLAY STATUS Command**

Entry ET:

```
/DISPLAY STATUS TMEMBER
```

Response ET:

```

**TMEMBER/TPIPE**
CLIENT1
-TPIPE1          STO
*94168/095431*

```

**Example 6 for /DISPLAY STATUS Command**

Entry ET:

```
/DISPLAY STATUS TRANSACTION
```

Response ET:

```

**TRAN*****PSBNAME
TPN4         DFSCPIC  PUR
TPN5         DFSCPIC  STOPPED
TPN6         DFSCPIC  I/O PREVEN
TPN7         DFSCPIC  USTOPPED
TRAN1        LU2PGM1  PSTOPPED
TRAN2        LU2PGM2  PSTOPPED
*90332/114253*

```

## Example for /DISPLAY STRUCTURE Command

Entry ET:

```
/DISPLAY STRUCTURE ALL
```

Response ET:

```
STRUCTURE NAME   TYPE   STATUS
MSGQ1            MSGQ   CONNECTED, AVAILABLE, SHUTDOWN-STRCHKPT
EMHQ1            EMHQ   CONNECTED, AVAILABLE, IN-OVERFLOW
*95200/170817*
```

Entry ET:

```
/DISPLAY STRUCTURE MSGQ111 EMHQ1
```

Response ET:

```
STRUCTURE NAME   TYPE   STATUS
MSGQ111 IS INVALID
EMHQ1            EMHQ   DISCONNECTED
*95201/121800
```

## Examples for /DISPLAY SUBSYS Command

The following are examples of the /DISPLAY SUBSYS command.

### Example 1 for /DISPLAY SUBSYS Command

Entry ET:

```
/DISPLAY SUBSYS ALL
```

Response ET:

```
SUBSYS   CRC REGID PROGRAM   LTERM   STATUS
SSTR     ?
          1 DDLTLM17 PTERM01 CONN, ACTIVE
          2 DDLTLM06 PTERM02 CONN
*89202/065933*
```

### Example 2 for /DISPLAY SUBSYS Command

Entry ET:

```
/DISPLAY SUBSYS XXX1 XXX3
```

Response ET:

```
SUBSYS   CRC REGID PROGRAM   LTERM   STATUS
XXX1     1
XXX3     3
*90083/154241*
```

## Example for /DISPLAY SYSID Command

Entry ET:

```
/DISPLAY SYSID TRANSACTION SKS1 SKS2 SKS3 SKS4
```

Response ET:

```
TRAN     PSBNAME  RID    LID
SKS1     DFSDDL1  21     11
SKS2     DFSDDL2  NA     11
SKS3     DFSDDL3  NA     11
SKS4     DFSDDL4  32     12
*89184/142436*
```

### Example for /DISPLAY TIMEOVER Command

Entry ET:

```
/DISPLAY TIMEOVER 10
```

Response ET:

NODE	USER	TYPE	LAST OUTPUT	START TIME
SLU1A	N/A	SLU1	88118/095914	
LU6NDPC	LU6SPC	LUT6	88118/095921	
SLU1C	N/A	SLU1	88118/095929	
SLU1B	N/A	SLU1	88118/095937	
SLU1D	N/A	SLU1	88118/095943	
LU6NDPA	LU6SPA	LUT6	88118/095949	
*88118/101150*				

### Examples for /DISPLAY TMEMBER Command

The following are examples of the /DISPLAY TMEMBER command.

#### Example 1 for /DISPLAY TMEMBER Command

Entry ET:

```
/DISPLAY TMEMBER ALL
```

Response ET:

GROUP/MEMBER	XCF-STATUS	USER-STATUS	SECURITY
APPL8	ACTIVE	SERVER	FULL
CLIENT1	ACTIVE	ACCEPT TRAFFIC	
*94165/170450*			

#### Example 2 for /DISPLAY TMEMBER Command

Entry ET:

```
/DISPLAY TMEMBER CLIENT1 TPIPE ALL
```

Response ET:

MEMBER/TPIPE	ENQCT	DEQCT	QCT	STATUS
CLIENT1				TRA
-TPIPE1	0	0	0	TRA,STO
-TPIPE2	2	2	0	TRA,STO
-TPIPE3	1	0	1	TRA,STO
*94165/170756*				

### Examples for /DISPLAY TRACE Command

The following are examples of the /DISPLAY TRACE command.

#### Example 1 for /DISPLAY TRACE Command

Entry ET:

```
/DISPLAY TRACE ALL
```

Response ET:

IMS ACTIVE TRACES

LINE	TYPE
1	CONSOLE
4	3270 R

LINK	PARTNER
2	AC

NODE	TYPE	USERS
SLUP1	SLUP	

```
LU6NDPA    LUT6    N/A      N/A      N/A
VAT11      3277
```

NO PSB TRACES FOUND

MONITOR IS INACTIVE

```
TRAN CODE   PSB-NAME
ADDINV      DFSSAM04
```

PROGRAM NAME

```
APOL1
DEBS
TACP1
```

TABLE	TRACE	LOGGING	ENTRIES	VOLUME
RETR	ON	N/A	128/PST	N/A
DL/I		OFF	2268	
DL/I	ON			HIGH
LOCK	ON			MEDIUM
PI	ON			LOW
LATC	ON	OFF	1512	MEDIUM
DISP	ON	OFF	1260	LOW
SCHD	OFF	OFF	630	OFF
SUBS	OFF	OFF	1008	OFF
DLOG	OFF	OFF	756	OFF
FAST	OFF	OFF	252	OFF
STRG	ON	OFF	1260	HIGH
IDC0	ON	OFF	2268	HIGH
LUMI	ON	OFF	1008	LOW

PI TRACE IS ACTIVE      OPTIONS: NOT LOGGED    NOTIME    VOLUME: MEDIUM

NO TRAP TRACES FOUND

IMS EXTERNAL TRACE IS USABLE

XTRC DDNAME	ALLOC	STATUS	STATUS
DFSTRA01	DYNA	UNALLOCATED	CLOSED
DFSTRA02	DYNA	UNALLOCATED	CLOSED
DFSTRA0T	DYNA	UNALLOCATED	CLOSED

VTAM I/O TIMEOUT FACILITY IS INACTIVE  
TCO IS NOT ACTIVE

```
LUNAME     TPNAME           TYPE
NO LUNAME TRACES FOUND
```

```
OSAMGTF TRACE IS INACTIVE
*94060/100733*
```

### Example 2 for /DISPLAY TRACE Command

Entry ET:

```
/DISPLAY TRACE LINE LINK NODE
```

Response ET:

IMS ACTIVE TRACES

```
LINE      TYPE
   1     CONSOLE
  30     3270 R
  30     3270 R
```

```

LINK    PARTNER
      4    RF
NODE    TYPE    USERS
L3270A  3277
LU6NDPA LUT6    N/A    N/A    N/A
LEVEL:  4    MODULE: ALL
*90290/143519*

```

**Example 3 for /DISPLAY TRACE Command**

Entry ET:

/DISPLAY TRACE LUNAME

Response ET:

IMS ACTIVE TRACES

```

LUNAME  TPNAME
LUNAME3
LUNAME3 TPNAME1          INPUT
LUNAME3 TPNAME7890123456+ OUTPUT
          789END
LUNAME4          INPUT
*90332/114253*

```

Entry ET:

/DISPLAY TRACE LUNAME

Response ET:

IMS ACTIVE TRACES

```

LUNAME/TPNAME
NET1.LU1          INP
-TPN1
NET2.LU1          OUTP
-TPN2            OUTP
LU3              INP, OUTP
-TPN3            OUTP
-TPN4            OUTP
NET4.LU3          OUTP
NET5.LU5          INP
*93069/114435*

```

**Example 4 for /DISPLAY TRACE Command**

Entry ET:

/DISPLAY TRACE OSAMGTF

Response ET:

```

IMS ACTIVE TRACES
OSAMGTF TRACE IS INACTIVE
*92107/090819

```

Entry ET:

/TRACE SET ON OSAMGTF

Response ET:

DFS058I 09:08:32 TRACE COMMAND COMPLETED

Entry ET:

/DISPLAY TRACE OSAMGTF

Response ET:

```
IMS ACTIVE TRACES
OSAMGTF TRACE IS ACTIVE
*92107/090841*
```

**Example 5 for /DISPLAY TRACE Command**

Entry ET:

```
/DISPLAY TRACE MONITOR
```

Response ET:

```
IMS ACTIVE TRACES
MONITOR IS ACTIVE:  LA SCHD APMQ APDB
  APDB dbname/partition-name/area-name ...
  REGION reg# ... region-name ...
  INTERVAL #seconds EXPIRING hh:mm:ss.tt
*98029/114114*
```

**Example 6 for /DISPLAY TRACE Command**

Entry ET:

```
/TRACE SET ON TABLE QMGR
/TRACE SET ON TABLE SQTT
/DISPLAY TRACE TABLE
```

Response ET:

```
IMS ACTIVE TRACES
TABLE TRACE LOGGING ENTRIES VOLUME
RETR ON N/A 128/PST N/A
DL/I OFF 2268
  DL/I ON MEDIUM
  LOCK ON MEDIUM
  PI OFF OFF
LATC ON OFF 1512 MEDIUM
DISP ON OFF 1260 MEDIUM
SCHD ON OFF 630 MEDIUM
SUBS OFF OFF 1008 OFF
DLOG ON OFF 756 MEDIUM
FAST OFF OFF 252 OFF
STRG ON OFF 1260 MEDIUM
IDC0 OFF OFF 2268 OFF
LUMI OFF OFF 1008 OFF
OTMT OFF OFF 1008 OFF
QMGR ON OFF 1008 MEDIUM
SQTT ON OFF 1008 MEDIUM
*96225/153244*
```

**Example 7 for /DISPLAY TRACE Command**

Entry ET:

```
/DISPLAY TRACE TCO
```

Response ET:

```
IMS ACTIVE TRACES

TCO IS NOT ACTIVE
*89100/170509*
```

**Example 8 for /DISPLAY TRACE Command**

Entry ET:

```
/DISPLAY TRACE TIMEOUT
```

Response ET:

```

IMS ACTIVE TRACES

VTAM I/O TIMEOUT FACILITY IS INACTIVE

*89033/170200*

```

**Example 9 for /DISPLAY TRACE Command**

Entry ET:

```

/DISPLAY TRACE TIMEOUT

```

Response ET:

```

IMS ACTIVE TRACES

VTAM I/O TIMEOUT FACILITY IS ACTIVE
      OPTION = NONE   TIMEOUT VALUE = 0

*89110/131429*

```

**Example 10 for /DISPLAY TRACE Command**

Entry ET:

```

/DISPLAY TRACE TIMEOUT

```

Response ET:

```

IMS ACTIVE TRACES

VTAM I/O TIMEOUT FACILITY IS ACTIVE
      OPTION = AUTO   TIMEOUT VALUE = 10

*89033/170200*

```

**Example 11 for /DISPLAY TRACE Command**

Entry ET:

```

/DISPLAY TRACE TIMEOUT

```

Response ET:

```

IMS ACTIVE TRACES

VTAM I/O TIMEOUT FACILITY IS ACTIVE
      OPTION = MSG    TIMEOUT VALUE = 60

*89033/131630*

```

**Example 12 for /DISPLAY TRACE Command**

Entry ET:

```

/DISPLAY TRACE TMEMBER

```

Response ET:

```

IMS ACTIVE TRACES

TMEMBER/TPIPE      TYPE
CLIENT1
-TPIPE1             TRA
*94168/095325*

```

**Example 13 for /DISPLAY TRACE Command**

Entry ET:

```

/DISPLAY TRACE XTRC

```

Response ET:

```

IMS ACTIVE TRACES

IMS EXTERNAL TRACE IS  USABLE
  SYS3
XTRC DDNAME  ALLOC STATUS          STATUS
DFSTRA01    DYNA  UNALLOCATED      CLOSED
DFSTRA02    DYNA  UNALLOCATED      CLOSED
DFSTRA0T    DYNA  UNALLOCATED      CLOSED

```

```
*91091/124215*
```

### Example 14 for /DISPLAY TRACE Command

Entry ET:

```
/DIS TRACE EXIT
```

Response ET:

```
55/DIS TRACE EXIT
```

```

IEE600I REPLY TO 55 IS;/DIS TRACE EXIT
DFS000I  IMS ACTIVE TRACES  IMS3
DFS000I  IMS3
DFS000I  EXIT      FUNC  STATUS  IMS3
DFS000I  DFSMSCE0  TRBT   ON      IMS3
DFS000I  DFSMSCE0  TRVT   ON      IMS3
DFS000I  DFSMSCE0  TR62   OFF     IMS3
DFS000I  DFSMSCE0  TROT   OFF     IMS3
DFS000I  DFSMSCE0  LRTR   ON      IMS3
DFS000I  DFSMSCE0  LRLT   ON      IMS3
DFS000I  DFSMSCE0  LRDI   ON      IMS3
DFS000I  DFSMSCE0  LRIN   ON      IMS3
DFS000I  DFSMSCE0  PRCH   ON      IMS3
DFS000I  DFSMSCE0  PRIS   N/A     IMS3
DFS000I  *99096/103002*  IMS3
56 DFS996I *IMS READY*  IMS3

```

Response ET:

```

39/DIS TRACE EXIT
IEE600I REPLY TO 39 IS;/DIS TRACE EXIT
DFS000I  IMS ACTIVE TRACES  IMS3
DFS000I  IMS3
DFS000I  EXIT      FUNC  STATUS  IMS3
DFS000I  DFSMSCE0  TRBT   N/A     IMS3
DFS000I  DFSMSCE0  TRVT   N/A     IMS3
DFS000I  DFSMSCE0  TR62   N/A     IMS3
DFS000I  DFSMSCE0  TROT   N/A     IMS3
DFS000I  DFSMSCE0  LRTR   N/A     IMS3
DFS000I  DFSMSCE0  LRLT   N/A     IMS3
DFS000I  DFSMSCE0  LRDI   N/A     IMS3
DFS000I  DFSMSCE0  LRIN   N/A     IMS3
DFS000I  DFSMSCE0  PRCH   N/A     IMS3
DFS000I  DFSMSCE0  PRIS   N/A     IMS3
DFS000I  *99105/222611*  IMS3
46 DFS996I *IMS READY*  IMS3

```

## Examples for /DISPLAY TRACKING STATUS Command

The following are examples of the /DISPLAY TRACKING STATUS command.

### Example 1 for /DISPLAY TRACKING STATUS Command

The following is an example of a /DISPLAY TRACKING STATUS entered from a tracking subsystem in Los Angeles. The two active systems in San Jose are named IMSA and IMSC. IMSA has an XRF alternate named IMSB. IMSC has an XRF alternate



named IMSD. The Coordinated Universal Time is 23:32:09. The local Los Angeles time is 15:32:09. OFR is also in progress and has started processing log data up through 14:11:34 local time.

Entry ET:

```
/DIS TRACKING STATUS
```

Response ET:

```
**** TRACKING SUBSYSTEM ****
IMSID READINESS-LEVEL GSG-NAME SG-NAME SG-STATUS
IMST RECOVERY          MSGSG1  STLSITE2 IDENTIFIED
**** TRACKING STATUS: TRACKING
NUMBER OF ACTIVE SUBSYSTEMS:                4
**** TRACKING ACTIVITY ****
NAME      TYPE      RECEIVED-LOG  Routed-LOG  NOT-ROUTED  STATUS
IMSD      ONLINE    N/A           N/A         N/A         CONV-ACT
IMSC      ACTIVE    15:31:00     15:29:54   2K         CONV-ACT
IMSB      ONLINE    N/A           N/A         N/A         CONV-ACT
IMSA      ACTIVE    15:31:10     15:29:47   3K         CONV-ACT
**** GAPS ****
NAME      LOG-SEQ-FIRST  IN-GAP  RECEIVED  NOT-ROUTED  STATUS
IMSC      000000000007D31  2K      OK        N/A         WAITING
**** ISOLATED LOG SENDER STATUS ****
SYSTEM NAME OF TRANSPORT MANAGER SUBSYSTEM:  TMPAR
NUMBER OF CONVERSATIONS:                    1
**** ONLINE FORWARD RECOVERY STATUS ****
NUMBER OF STREAMS BEING PROCESSED:          0
OFR ROUTING TIME:                          2002.090 14:11:34
**** MILESTONE INDEX STATUS ****
CURRENT MILESTONE INDEX:                    38
RESTART MILESTONE INDEX:                    37
**** DLI TRACKING STATUS ****
TRACKING PSTS:                              0
USAGE OF TRACKING PSTS:                     0%
BACKLOG OF REDO RECORDS IN DATASPACE:       0K
**** FP TRACKING STATUS ****
TRACKING PSTS:                              0
CURRENT LOG VOLUME IN DATASPACE:            0K
MAX LOG VOLUME IN DATASPACE:                0K
*02090/153209*
```

### Example 2 for /DISPLAY TRACKING STATUS Command

The following is an example of a /DISPLAY TRACKING STATUS command entered on an active system IMSC, located in San Jose.

See "Example 1 for /DISPLAY ACTIVE Command" on page 282 for a description of the sample RSR environment.

Entry ET:

```
/DIS TRACKING STATUS
```

Response ET:

```
**** ACTIVE SUBSYSTEM ****
IMSID GSG-NAME SG-NAME SG-STATUS
IMSC  ACCTGRP1 SITESJ  IDENTIFIED
**** ACTIVE'S CONVERSATIONS WITH LOG ROUTERS ****
IMSID RECORDS-NOT-SENT
IMST                                1K SENDING LOGS
*91317/150416*
```

## Examples for /DISPLAY TRANSACTION Command

The following are examples of the /DISPLAY TRANSACTION command.

**Example 1 for /DISPLAY TRANSACTION Command**

Entry ET:

```
/DISPLAY TRANSACTION ALL
```

Response ET:

TRAN	CLS	ENQCT	QCT	LCT	PLCT	CP	NP	LP	SEGSZ	SEGNO	PARLM	RC
TPN1	22	14	7	5	0	8	5	8	0	0	0	5
	PSBNAME: DFSCPIC											
TPN2	23	16	0	0	0	0	0	0	0	0	0	0
	PSBNAME: DFSCPIC											
	STATUS: PUR											
TPN2	24	0	0	0	0	0	0	0	0	0	0	0
	PSBNAME: DFSCPIC											
	STATUS: STOP											
TRAN1	4	0	0	10	5	8	8	10	0	0	2	2
	PSBNAME: LU2PGM1											
TRAN2	7	0	0	65535	65535	8	8	8	0	0	0	0
	PSBNAME: LU2PGM2											
	STATUS: PSTOP											

\*90332/114253\*

**Example 2 for /DISPLAY TRANSACTION Command**

Entry ET:

```
/DISPLAY TRANSACTION SKS1 SKS2 SKS3 SKS4 SKS5 SKS6 SKS7
```

Response ET:

TRAN	CLS	ENQCT	QCT	LCT	PLCT	CP	NP	LP	SEGSZ	SEGNO	PARLM	RC
SKS1	1	0	0	65535	65535	8	8	8	0	0	0	0
	PSBNAME: DFSDDL1											
	STATUS: TRA											
SKS2	2	0	0	65535	65535	8	8	8	0	0	0	0
	PSBNAME: DFSDDL2											
SKS3	3	0	0	65535	65535	8	8	8	0	0	0	0
	PSBNAME: DFSDDL3											
	STATUS: STOP,TRA											
SKS4	4	0	0	65535	65535	8	8	8	0	0	0	0
	PSBNAME: DFSDDL4											
	STATUS: STOP											
SKS5	5	0	0	65535	65535	8	8	8	0	0	0	0
	PSBNAME: DFSDDL5											
SKS6	6	0	0	65535	65535	8	8	8	0	0	2	0
	PSBNAME: DFSDDL6											
	STATUS: BAL( 2)											
SKS7	7	0	0	65535	65535	8	8	8	0	0	1	0
	PSBNAME: DFSDDL7											
	STATUS: BAL( 2)											

\*89184/142345\*

**Example 3 for /DISPLAY TRANSACTION Command**

Entry ET:

```
/DISPLAY TRANSACTION TRANA TRANB TRANC QCNT
```

Response ET:

TRAN	GBLQCT
TRANA	0
TRANB	1000
TRANC	45

\*95200/170817\*

**Example 4 for /DISPLAY TRANSACTION Command**

Entry ET:

/DISPLAY TRAN ALL QCNT

Response ET:

```

TRAN          GBLQCT  AFFINITY
TRAN1234          1524  IMS1
TRAN1234          3    IMSA
TRAN1234          14
*00305/103034*

```

Explanation: This example command receives multiple lines of output for a transaction, TRAN1234. The output shows there are 1524 messages for the transaction that have an affinity to execute on IMS1. A transaction might have an affinity if it were an APPC, OTMA, or serial transaction. If an output line shows no affinity, like the example output line with a GBLQCNT of 14, then there could be a single IMS system indicated, or multiple IMS systems that have messages that contribute to the GBLQCNT.

**Example for /DISPLAY UOR Command**

Entry ET:

/DISPLAY UOR

Response ET:

```

ST P-TOKEN  PSBNAME  RRS-URID                      IMS-TOKEN
A          DBOVLFPC  AF3499A27EC3E2980000000401010000  SYS1    0000000400000002
EID=0001812223768AC1009B5870268346
C          DBOVLFPC  AF1124A27EE1C2380000000501020000  SYS1    0000000700000002
EID=0002A35549021DA108538121766899670
RI 00010120  PLAPJK02 12345678901234567890123456789012  SYS1    0000001300000001
EID=0001C35549021DB176523121445797320
*96337/145345*

```

Entry ET:

/DISPLAY UOR ACTIVE

Response ET:

```

ST P-TOKEN  PSBNAME  RRS-URID                      IMS-TOKEN
A          PLAPJK01  AF3278A27EC3E2980000000402010000  SYS1    0000000400000002
LUWID=0EIMSNET.L62IMS1999E359820810001
*96338/091642*

```

Entry ET:

/DISPLAY UOR INDOUBT

Response ET:

```

ST P-TOKEN  PSBNAME  RRS-URID                      IMS-TOKEN
RI 00010040  DBOVLFPC  98768883421097867890123456789012  SYS1    0000008300000001
LUWID=0EIMSNET.L62IMS1763E358330410001
RI 00010120  PLAPJK02  AF34A6307EC4E2980000000201010000  SYS1    0000002700000001
LUWID=0EIMSNET.L62IMS1438E339103810001
*96336/113502*

```

Entry ET:

/DISPLAY UOR 010140

Response ET:



```

USER      USERID  ENQCT DEQCT  QCT
CA13      N/A      0     0     0 STATIC
IMSUS01C  N/A      0     0     0 STOPPED
IMSUS01D  N/A      0     0     0 STOPPED
LU6SPA    N/A      0     0     0 ALLOC(LU6NDPF ) STATIC
LU6SPB    N/A      0     0     0 STATIC
DT327002 IMSUS02    0     0     0 ALLOC(DT327002)
IMSUS03    IMSUS03    0     0     0 ALLOC(DTSLU601)
IMSUS01    IMSUS01    1     1     0 ALLOC(DTSLU201) CONV-HLD
IMSUS05    N/A      0     0     0 STOPPED
N/A        IMSUS02    N/A   N/A   N/A ALLOC(L3270B ) STATIC
N/A        IMSUS01    N/A   N/A   N/A ALLOC(L3270A ) STATIC
N/A        IMSUS04    N/A   N/A   N/A ALLOC(L3270C ) STATIC
*92350/114845*

```

**Example 2 for /DISPLAY USER Command**

Entry ET:

```
/DISPLAY USER ABC100 EMHQ QCNT
```

One user is on the queue.

Response ET:

```

14.42.46          57/DIS USER ABC100 QCNT EMHQ.
14.42.46          IEE600I REPLY TO 57 IS;/DIS USER ABC100 QCNT EMHQ.
14.42.46 JOB00110 DFS000I      USER          GBLQCT      IMS1
14.42.46 JOB00110 DFS000I      ABC100          0          IMS1
14.42.46 JOB00110 DFS000I      *98203/144246*  IMS1

```

**Example 3 for /DISPLAY USER Command**

Entry ET:

```
/DISPLAY USER IMSUS01 IMSUS02 IMSUS03 AUTOLOGON.
```

Response ET:

```

USER      NODE      MODE      DESC      ID
IMSUS01   N/A          N/A       N/A       N/A
IMSUS02   N/A          N/A       N/A       N/A
IMSUS03   N/A          N/A       N/A       N/A
*99243/082505*

```

Entry ET:

```
/CHANGE USER IMSUS01 AUTOLOGON DT327001 MODE LU032NT4.
```

Response ET:

```
DFS058I CHANGE COMMAND COMPLETED
```

Entry ET:

```
/CHANGE USER IMSUS02 AUTOLOGON DTSLU601 MODE LU6NEGPS ID IMSID2.
```

Response ET:

```
DFS058I CHANGE COMMAND COMPLETED
```

Entry ET:

```
/CHANGE USER IMSUS03 AUTOLOGON DT327001 LOGOND DFS3270 MODE LU032NT4.
```

Response ET:

```
DFS058I CHANGE COMMAND COMPLETED
```

Entry ET:

```
/DISPLAY USER IMSUS01 IMSUS02 IMSUS03 AUTOLOGON.
```

Response ET:

USER	NODE	MODE	DESC	ID
IMSUS01	DT327001	LU032NT4	N/A	N/A
IMSUS02	DTSLU601	LU6NEGPS	N/A	IMSID2
IMSUS03	DT327001	LU032NT4	DFS3270	N/A

\*99243/083309\*

**Example 4 for /DISPLAY USER RECOVERY Command**

Entry ET:

```
/DISPLAY USER IMSUS* IMSUS03 LU6SPG RECOVERY
```

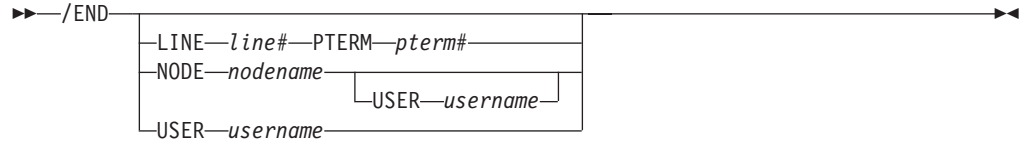
Response ET:

USER	OWNER	SRM	CONV	STSN	FPATH
IMSUS05	IMSA	GLOBAL	Y	Y	Y
IMSUS01	IMSA	LOCAL	Y	Y	Y
IMSUS03	IMSB	GLOBAL	Y	N	N
LU6SPG	IMSA	LOCAL	Y	Y	Y

\*99240/134730\*

## Chapter 22. /END

### Format



### Environments and Keywords

Table 56 lists the environments (DB/DC, DBCTL, and DCCTL) from which the command and keywords can be issued.

Table 56. Valid Environments for the /END Command and Keywords

Command / Keywords	DB/DC	DBCTL	DCCTL
/END	X		X
LINE	X		X
NODE	X		X
PTERM	X		X
USER	X		X

### Usage

/END terminates all special operating modes established through the prior entry of an /EXCLUSIVE, /TEST, or /LOOPTEST command. /END NODE|USER does not reset TEST mode. Only the same terminal that is in TEST mode can reset the TEST mode (using /END without the NODE or USER keywords).

/END NODE applies to dynamic nodes in addition to static nodes because MFSTEST mode is associated with dynamic nodes as well as dynamic users. /END NODE and /END NODE USER reset MFSTEST mode at the node level. /END USER resets MFSTEST at the user level. /END with no keywords resets MFSTEST at the node level for static terminals (they have no user level) and at the user level for dynamic terminals. The /END NODE USER command supports static and dynamic ISC sessions. When /END NODE or /END NODE USER commands are used for a dynamic node, only MFSTEST is reset. Exclusive mode and LOOPTEST mode can only be reset for a dynamic resource with the /END USER command. If global resource information is kept in Resource Manager, MFSTEST mode is reset globally and locally. If global resource information is not kept in Resource Manager, MFSTEST mode is reset locally.

/END with no keywords operates on the entering terminal with a signed on user. /END with no keywords is not supported through the OM API in an IMSplex.

#### LINE

Specifies the communication line for which special operating modes are terminated.

#### NODE

Specifies the VTAM node for which special operating modes are terminated.

/END NODE is not valid for ISC nodes with users or nodes that were dynamically created. /END NODE USER only applies to ISC sessions and affects the half-session allocated to username.

**USER**

Without the NODE keyword, USER specifies the dynamic user for which special operating modes are terminated. The named user must exist in IMS, must be dynamic, and must not be signed on to a node. When /END USER is issued against a temporary user, which was created solely to retain status that is now reset, the temporary user is deleted at the next simple checkpoint.

---

**Example for /END Command**

Entry ET:

```
/END
```

Response ET:

```
DFS058I  END COMMAND COMPLETED
```

Explanation: All modes that previously existed are ended.

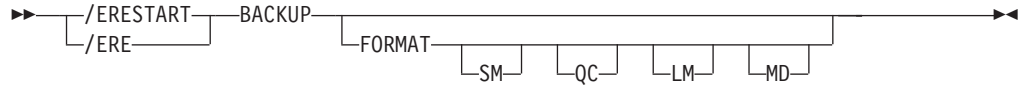


## Chapter 23. /ERESTART

### Format

#### Manual Restart of an XRF Alternate System

Use this command only after the active system issues message DFS3804I.

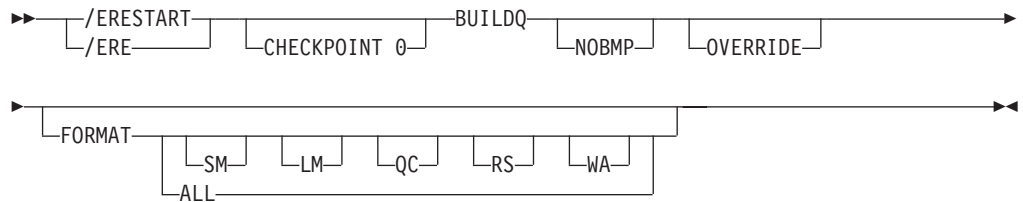


#### Restart of IMS Following Loss of Virtual Storage Only

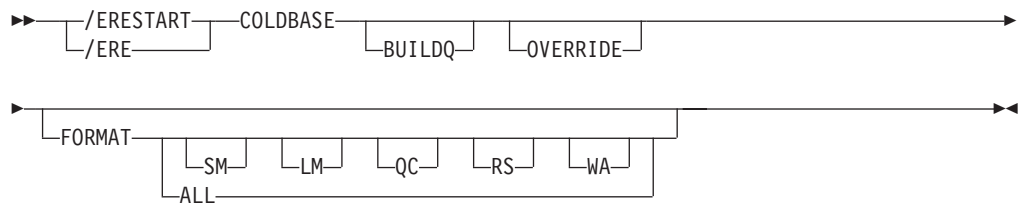


#### Restart of IMS Following Loss of Virtual Storage and Message Queue Data Set Integrity

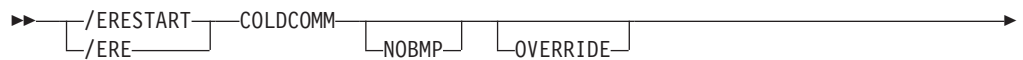
The message queues have not been dumped to the system log since the most recent cold start.

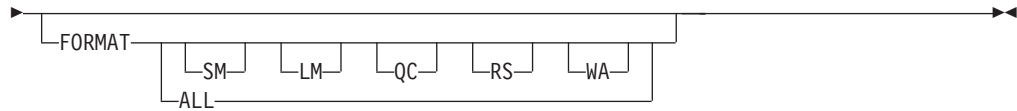


#### Restart of IMS Following /ERESTART Failure of the Database Component

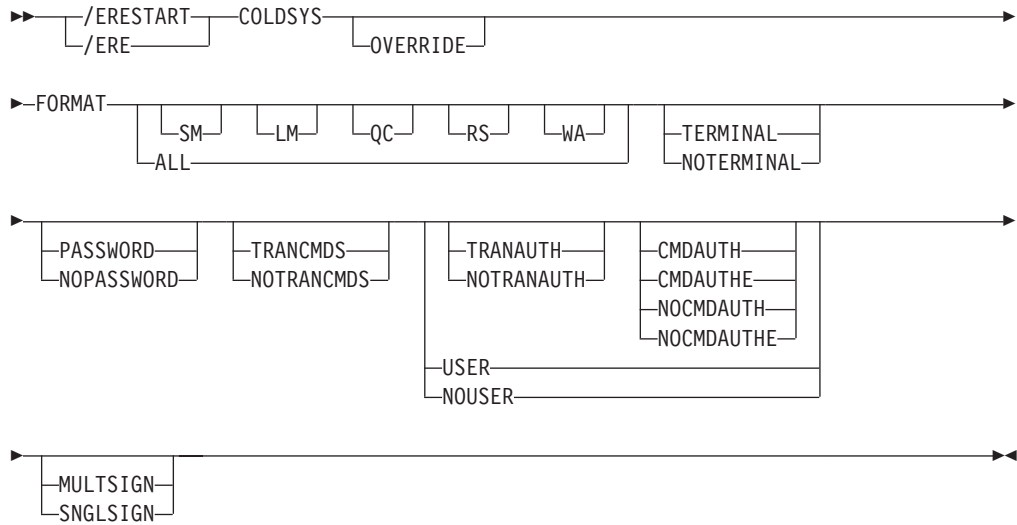


#### Restart of IMS Following /ERESTART Failure of Communication Component





## Restart of IMS Following /ERESTART Failure of Both the Database and Communication Components



## Environments and Keywords

Table 57 lists the environments (DB/DC, DBCTL, and DCCTL) from which the command and keywords can be issued.

Table 57. Valid Environments for the /ERESTART Command and Keywords

Command / Keywords	DB/DC	DBCTL	DCCTL
/ERESTART	X	X	X
BACKUP	X		X
BUILDQ	X		X
CHECKPOINT	X	X	X
CMDAUTH	X		X
CMDAUTHE	X		X
COLDBASE	X	X	
COLDCOMM	X		X
COLDSYS	X	X	X
FORMAT	X	X	X
MULTSIGN	X		X
NOBMP	X	X	X
NOCMDAUTH	X		X
NOCMDAUTHE	X		X
NOPASSWORD	X		X

Table 57. Valid Environments for the /ERESTART Command and Keywords (continued)

Command / Keywords	DB/DC	DBCTL	DCCTL
NOTERMINAL	X		X
NOTRANAUTH	X		X
NOTRANCMD5	X		X
NOUSER	X		X
OVERRIDE	X	X	X
PASSWORD	X		X
SNGLSIGN	X		X
TERMINAL	X		X
TRANAUTH	X		X
TRANCMD5	X		X
USER	X		X

---

## Usage

/ERESTART is a multisegment command used to:

- Perform a manual restart of an IMS XRF alternate system.
- Restart IMS any time the system was not terminated with an orderly /CHECKPOINT shutdown. Three conditions that result in the need for an emergency restart are:
  - Abnormal termination of IMS
  - Abnormal termination of z/OS
  - Forced termination of IMS using the z/OS MODIFY command

For an /ERESTART command restart, the base security definition is created:

- From the IMS system definition and the EXECUTE parameter specifications, when the COLDSYS keyword is specified.
- From the IMS checkpoint data, when the COLDSYS keyword is not specified.

To override the security definitions, specify the COLDSYS keyword and the security keywords on the COLDSYS keyword.

The format for /ERESTART depends on whether or not the IMS system is an XRF alternate system. If the system is not an alternate system, the format also depends on the type of system failure associated with the termination and whether or not the message queues have been dumped to the system log since the most recent cold start.

All /ERESTART formats require an EOM indication to denote end-of-message; an EOS indication must be included for all segments that precede the last segment. See “Multisegment Command Input” on page 8 for more details on using EOS and EOM.

With Fast Path, the /ERESTART command loads the latest MSDB checkpoint data set and applies all MSDB changes up to the latest complete commit point. /ERESTART also ensures that DEDB updates created between the restart checkpoint and the latest complete commit point are applied. If the DEDB updates are not applied, they are queued for output. Output messages not acknowledged or not transmitted are also queued for output.

When IMS initializes, the system parameters used for this initialization can come from the IMS system generation, from a PROCLIB member, or from EXEC statements that can override both the defaults and the PROCLIB members. Therefore, message DFS1929I is displayed showing the system parameters used for this particular initialization. The system parameters are also written to the job log.

For a list of the commands recovered, see “Commands Recovered During Emergency Restart” on page 26

### BACKUP

Indicates that the control region is an alternate system in an XRF environment. This command is required when performing manual restart.

### BUILDQ

Is required for any restart from a failure in which message queue data set integrity was lost. When a checkpoint other than checkpoint 0 is specified, the checkpoint must be one at which the message queues were dumped to the system log. Message queue data set integrity has been lost if one or more of the data sets have been reallocated or reformatted. If a checkpoint is not specified, IMS selects the appropriate checkpoint from which to start.

If an /ERESTART BUILDQ command fails, and then you issue the /ERESTART CHECKPOINT 0, /ERESTART COLDCOMM, or /ERESTART COLDSYS command, messages in local queues are lost. However, the IMS Message Requeuer (MRQ) program product (5655-038) can be used to recover local message queues. For more information about MRQ, refer to the *IMS/ESA Message Requeuer Program Description/Operations Manual*.

In a shared-queues environment, the BUILDQ keyword is ignored because the message queue data sets are not used.

### CHECKPOINT

CHECKPOINT is an optional keyword that identifies whether the restart should use the initial system checkpoint taken during the cold start of the IMS subsystem. If you do not specify this keyword, IMS determines the correct checkpoint to use. If you do specify this keyword, you can only specify CHECKPOINT 0 to use the initial system checkpoint.

### CMDAUTH

Specifies that both signon (user identification verification) and command authorization for static and ETO terminals are in effect at the end of the emergency restart. (Command authorization is same as specifying RCF=S on the startup parameter.)

To specify CMDAUTH, either:

```
SECURITY macro TYPE=RACFTERM|RACFCOM|SIGNEXIT|TRANEXIT
```

must be specified in the IMS system definition, or

```
EXEC parameters RCF=A|Y|T|C|S
```

must be specified on an EXEC parameter.

### CMDAUTHE

Specifies that command authorization for ETO terminals (same as RCF=S on the startup parameter) is in effect at the end of the emergency restart. CMDAUTHE also resets command authorization for static terminals, if it was set.

To specify CMDAUTHE, either:

```
SECURITY macro TYPE=RACFTERM|RACFCOM|SIGNEXIT|TRANEXIT
```

must be specified in the IMS system definition, or  
EXEC parameters RCF=A|Y|T|C|S

must be specified on an EXEC parameter.

### **COLDBASE**

Indicates a cold start of the database component, while performing an emergency restart of the communications component.

- If this keyword is used, the recovery of the databases is the responsibility of the user. The Fast Path areas will not be redone and no backouts of inflight DL/I databases will be performed. If in-doubts exist, a batch backout run with the cold start option will backout inflight DL/I data. This will place both DL/I and Fast Path data in the aborted state.
- If this keyword is not used, the database component will be warm started.

### **COLDCOMM**

Indicates a cold start of the data communication component, while an emergency restart of the database component is being performed. This includes recovering Fast Path DEDBs, reloading MSDBs, backing out inflight changes to DL/I databases, and maintaining all existing indoubt data. COLDCOMM is used to get the DC network reinstated as soon as possible while databases are being recovered. As a result of COLDCOMM, all of the messages on the local message queue will be lost; inflight messages in shared queues are moved to the cold queue for later recovery. If this keyword is not used, the data communication component will be restarted.

### **COLDSYS**

Indicates a cold start of both the database and the data communication components. The /ERESTART COLDSYS command performs the same function as the /NRESTART CHECKPOINT 0 DETACH command performed in prior releases, and replaces it.

The SGN=, TRN=, and RCF= startup parameters can be overridden by the /ERESTART COLDSYS command using the keywords shown in Table 58. Table 58 lists the keywords and the startup parameters that those keywords can override and a brief description.

*Table 58. Security Keywords and Their Startup Parameter Equivalents*

<b>Keyword<sup>1</sup></b>	<b>Description</b>	<b>Startup Parameter</b>
CMDAUTH	RACF command authorization on static and ETO terminals only	RCF=S
CMDAUTHE	RACF command authorization on ETO terminals only	RCF=C
MULTSIGN	Permits multiple signons for each user ID	SGN=M
NOCMDAUTH	Resets the command authorization on static and ETO terminals	Not RCF=S
NOCMDAUTHE	Resets the command authorization on ETO terminals only	Not RCF=C
NOTRANAUTH	Resets the transaction authorization.	Not TRN=F or Y
NOUSER	Resets user identification verification, transaction authorization, and command authorization	Not SGN=F or Y (G or Z becomes M) Not TRN=F or Y Not RCF=C or S

Table 58. Security Keywords and Their Startup Parameter Equivalents (continued)

Keyword <sup>1</sup>	Description	Startup Parameter
SNGLSIGN	Permits a single signon for each user ID	SGN=F and Y Not SGN=M (G or Z becomes F or Y)
TRANAUTH	Transaction authorization	TRN=F or Y
USER	Sets user identification verification	SGN=Y

**Note:**

- Valid only with the /ERESTART COLDSYS command.

**FORMAT**

Specifies which queues or data sets should be formatted as part of the restart process when:

- A message queue or data set I/O error occurs.
- The size of a message queue or data set is to be changed.
- A message queue or data set is to be reallocated.
- Allocation of the WADS changes.

When queues or data sets must be formatted as part of the restart process, specify one or more of the following:

<b>SM</b>	Short-message queue
<b>LM</b>	Long-message queue
<b>QC</b>	Control record data set (QBLKs)
<b>RS</b>	Restart data set
<b>WA</b>	Write ahead data set
<b>MD</b>	MSDB dump data set (valid only for backup)
<b>ALL</b>	All message queues (SM and LM) and data sets (QC, WA and RS). For DBCTL, this supports RS and WA only.

Any combination of SM, LM, QC, WA, MD, and RS can be specified; for example, FORMAT LM RS. When you specify ALL, do not specify SM, LM, QC, WA, MD, or RS.

In a shared-queues environment, the LM, SM, and QC parameters are ignored because the message queue data sets are not used. If you specify ALL, IMS does not attempt to format the message queue data sets.

Table 59 shows the environments in which the parameters are valid.

Table 59. /ERESTART FORMAT Command Parameter Environments

Parameter	DB/DC	DBCTL	DCCTL
SM	X		X
LM	X		X
QC	X		X
RS	X	X	X
WA	X	X	X
MD	X		X

Table 59. /ERESTART FORMAT Command Parameter Environments (continued)

Parameter	DB/DC	DBCTL	DCCTL
ALL	X	X	X

If the WADS must be reformatted during emergency restart, the ALL parameter can be used. IMS first closes the OLDS from the WADS and then reformats the WADS. If you generally use the ALL parameter during restart, do not be concerned that the WADS will not be available to close the OLDS.

**MULTSIGN**

Permits multiple signons for each user ID.

In an IMSplex with Resource Manager and a resource structure, if MULTSIGN conflicts with the single user signon definition for the IMSplex, a warning message will be issued.

**NOBMP**

Specifies no backout of BMP updates occurs and all affected databases and programs are stopped.

If NOBMP is not specified, all updates made subsequent to the last commit point invoked by the active BMP programs are backed out of the database as part of the restart process.

NOBMP is ignored if no BMP programs were active at the time of the system failure.

**NOCMDAUTH**

Resets command authorization on static and ETO terminals.

**NOCMDAUTHE**

Resets command authorization for static and ETO terminals. The command authorization is reset for static terminals because the command authorization for static terminals cannot exist without the command authorization for ETO terminals.

**NOTERMINAL**

Specifies that the terminal security specifications established by the Security Maintenance utility are not in effect at completion of this emergency restart.

IMS system definition might have precluded the authority of the master terminal operator to negate terminal security, in which case, if NOTERMINAL is specified, an error message is received.

**NOTRANAUTH**

Turns off transaction authorization. NOTRANAUTH is not the opposite of TRANAUTH. TRANAUTH sets transaction authorization and also turns on signon (user identification verification).

If you specify NOTRANAUTH, it will be rejected with an error message if either:

- SECLEVL=FORCTRAN was specified on the system definition SECURITY macro.
- TRN=F was specified as a JCL EXEC parameter.

**NOUSER**

Specifies that none of the following is in effect at the end of the emergency restart:

- Transaction authorization
- User identification verification

- Command authorization

### OVERRIDE

Is required only to restart the system after failure of power, machine, z/OS, or DBRC where IMS abnormal termination was unable to mark the DBRC subsystem record in RECON as abnormally terminated. IMS emergency restart will abort with message DFS0618A when DBRC indicates that the subsystem is currently active and that neither the OVERRIDE keyword nor the BACKUP keyword is present on the /ERESTART command. If there is any doubt about the status of an IMS system at restart time, the OVERRIDE keyword should not be used.

**Attention:** Use of the OVERRIDE keyword on a currently running IMS system can lead to database and system integrity problems.

### PASSWORD or NOPASSWORD

Specifies whether (PASSWORD) or not (NOPASSWORD) the password security specifications established by the Security Maintenance utility will be in effect at completion of this emergency restart.

IMS system definition might have precluded the authority of the master terminal operator to negate password security, in which case, if NOPASSWORD is specified, an error message is received.

### SNGLSIGN

Permits a single signon for each user ID.

In an IMSplex with Resource Manager and a resource structure, if SNGLSIGN conflicts with the single user signon definition for the IMSplex, a warning message is issued.

### TERMINAL

Specifies that the terminal security specifications established by the Security Maintenance utility are in effect at completion of this emergency restart. However, TERMINAL can only be used for transaction authorization if RCF=S is specified. SMU is not used for command terminal security if RACF is used.

### TRANAUTH

Specifies both transaction authorization and user identification verification, with or without RACF.

To specify TRANAUTH either:

```
SECURITY macro TYPE=RACFTERM|RACFCOM|SIGNEXIT|TRANEXIT
```

must be specified in the IMS system definition, or

```
EXEC parameters RCF=A|Y|T|C|S
```

must be specified on an EXEC parameter.

### TRANCMDs or NOTTRANCMDs

Specifies whether (TRANCMDs) or not (NOTTRANCMDs) the transaction command security established by the Security Maintenance utility is in effect at completion of this emergency restart.

#### TRANCMDs

Specifies that transaction command security established by the Security Maintenance utility is in effect at completion of this emergency restart.

#### NOTTRANCMDs

Specifies that transaction-entered commands cannot be entered. IMS system definition might have precluded the authority of the master terminal



operator to not allow transaction-entered commands, in which case, if the NOTRANCMDS keyword is used, an error message is returned.

### USER

Specifies user identification verification. User identification verification means that signon is required by the static terminals that are defined to SMU for signon verification. This keyword has no effect on ETO terminals because they are always required to sign on. User identification verification can be forced on by TRANAUTH or CMDAUTH.

To specify USER, either:

```
SECURITY macro TYPE=RACFTERM|RACFCOM|SIGNEXIT|TRANEXIT
```

must be specified in the IMS system definition, or

```
EXEC parameters RCF=A|Y|T|C|S
```

must be specified on an EXEC parameter.

---

## Examples

### Example 1 for /ERESTART Command

All system data sets are intact.

Entry ET:

```
/ERESTART.
```

Response ET:

```
DFS058I (time stamp) ERESTART COMMAND IN PROGRESS
DFS680I USING CHKPT 85200/123456
DFS994I *CHKPT 85201/110117**SIMPLE*
```

Explanation: The restart is being performed from checkpoint 85200/123456, which was selected by IMS. If IMS contained active BMPs when the system failed, checkpoint 85200/123456 is the checkpoint that allows backout of all updates made by each active BMP since its latest system checkpoint. A simple checkpoint is written on the system log. The checkpoint number is 85201/110117.

### Example 2 for /ERESTART Command

Message queues are in error.

Entry ET:

```
/ERESTART BUILDQ.
```

Response ET:

```
DFS058I (time stamp) ERESTART COMMAND IN PROGRESS
DFS680I USING CHKPT 85119/074811
DFS994I *CHKPT *85120/192021**SIMPLE*
```

Explanation: IMS is restarted at 192021 (time) on 85120 (\* \* date) from the most recent DUMPQ or SNAPQ checkpoint, 85119/074811. A simple checkpoint is written on the system log. The checkpoint number is 85120/192021.

The message queues from checkpoint 85119/074811 are loaded.

If BMP programs were active when the system failed, all updates invoked by the BMP programs are backed out.

### Example 3 for /ERESTART Command

Small and large message queues were reallocated. The message queues have been dumped at least once since the most recent cold start.

Entry ET:

```
/ERESTART BUILDQ FORMAT SM LM.
```

Response ET:

```
DFS058I (time stamp) ERESTART COMMAND IN PROGRESS
DFS680I USING CHKPT 85201/070348
DFS994I *CHKPT *85204/010203**SIMPLE*
```

Explanation: IMS is restarted at 010203 (time) on 85204 (Julian date). A simple checkpoint was written on the system log. The checkpoint number is 85204/010203.

The large and small message queue data sets are reformatted.

The message queues are loaded from checkpoint 85201/070348.

If BMP programs were active when the system failed, all updates invoked by the BMP programs are backed out.

### Example 4 for /ERESTART Command

Message queues in error or data sets reallocated and the message queues have not been dumped since the most recent cold start.

Entry ET:

```
/ERESTART BUILDQ FORMAT ALL NOBMP.
```

Response ET:

```
DFS058I (time stamp) ERESTART COMMAND IN PROGRESS
DFS680I USING CHKPT 85045/112140
DFS994I *CHKPT 85121/235959**SIMPLE*
```

Explanation: IMS is restarted at 235959 (time) on 85121 (Julian date) from the checkpoint taken during cold start 85045/112140. A simple checkpoint is written on the system log. The checkpoint number is 85121/235959.

All message queues and data sets are reformatted.

The message queues from the system log were loaded.

BMP programs that were active when the system failed are stopped, as are the databases updated by them.

### Example 5 for /ERESTART Command

Figure 4 on page 363 and Figure 5 on page 363 show formatted master screens for active and backup IMS master terminals in an XRF environment.

The /ERESTART BACKUP command was entered on the master terminal of the XRF IMS system IMSB. During the synchronization phase, the alternate system

requested a SNAPQ checkpoint from the active system. The /ERESTART BACKUP is currently complete and alternate system IMSB is now tracking active system IMSA.

```
02/05/15 14:28:44 RSENAME: DFSRSENM BACKUP TRACKING IN PROGRESS IMSB
DFS810A IMS READY 085135/1422535 IMS432 .IEFPROC
DFS058 14:26:10 ERESTART COMMAND IN PROGRESS
DFS3871I JOINAVM WAS SUCCESSFUL
DFS3873I JOINRSE MODE=BACKUP WAS SUCCESSFUL
DFS3857I OKTOSYNC ARRIVED FROM THE ACTIVE SYSTEM.
DFS680I USING CHKPT85135/142629
DFS2591I NO MSDB HEADERS FOUND, IMAGE COPY LOAD IGNORED
DFS3839I 14:26:46 XRF INITIAL DC PRE-OPEN COMPLETE.
DFS3838I 14:28:41 XRF INITIAL DB PRE-OPEN COMPLETE.
```

PASSWORD:

/ere backup.

Figure 4. IMS Formatted Master for the Alternate System

```
02/05/15 14:26:40 RSENAME: DFSRSENM ACTIVE IMSA
DFS3499I ACTIVE DDNAMES: MODBLKSA IMSACBA FORMATA MODSTAT ID: 11
DFS3804I LAST CHKPT ID VALID FOR RESTART: 85135/141619-BUILDQ: 85135/141619

DFS994I COLD START COMPLETED.
DFS3830 14:16:23 NO DEFERRED PAGE FIXING WAS DONE
DFS3856I REQSYNC WAS PROCESSED TO TAKE SNAPQ CHKPT.
DFS2716I NO MSDBS FOUND - NO MSDB CHECKPOINT TAKEN
DFS994I *CHKPT 85135/14269***SNAPQ**
DFS3499I ACTIVE DDNAMES: MODBLKSA IMSACBA FORMATA MODSTAT ID: 11
```

MASTER MESSAGE WAITING PASSWORD:

Figure 5. IMS Formatted Master for the Active System





**NODE**

Specifies that the static VTAM node be put into exclusive mode. This command is not valid for nodes that were dynamically created.

**USER**

Specifies that the dynamic user be put into exclusive mode. If the user does not exist in IMS, it and its associated LTERMs will be created to remember the exclusive status. If /EXCLUSIVE USER is issued against an existing user, the user must be dynamic.

---

**Examples**

**Example 1 for /EXCLUSIVE Command**

Entry ET:

```
/EXCLUSIVE
```

Response ET:

```
DFS058I EXCLUSIVE COMMAND COMPLETED
```

Explanation: No messages are sent to this terminal other than application program output resulting directly from transaction input.

**Example 2 for /EXCLUSIVE Command**

Entry ET:

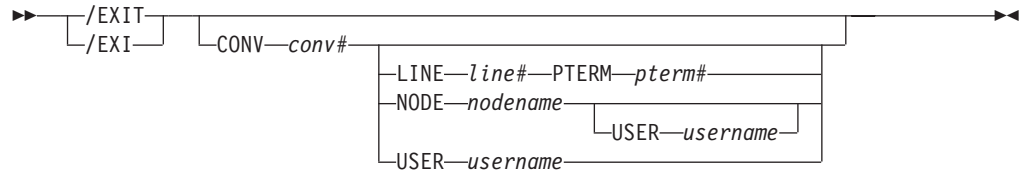
```
/EXCLUSIVE USER alpha
```

Response ET:

```
DFS058I EXCLUSIVE COMMAND COMPLETED
```

# Chapter 25. /EXIT

## Format



## Environments and Keywords

Table 61 lists the environments (DB/DC, DBCTL, and DCCTL) from which the command and keywords can be issued.

Table 61. Valid Environments for the /EXIT Command and Keywords

Command / Keywords	DB/DC	DBCTL	DCCTL
/EXIT	X		X
CONVERSATION	X		X
LINE	X		X
NODE	X		X
PTERM	X		X
USER	X		X

## Usage

The /EXIT command ends conversations between users and application programs. The conversation can be either active or in hold status at the time /EXIT is entered. Depending upon the conversational processing options selected for the IMS system, the application program might or might not be notified of the conversation termination.

Transactions that are queued for processing when the /EXIT command is issued are discarded. If a transaction is being processed when /EXIT is issued, the command is rejected.

The /EXIT command with no keywords can only be used if the conversation is active.

If global resource information is kept in Resource Manager (RM), /EXIT NODE or /EXIT USER terminates the conversation in RM. If global resource information is not kept in RM, /EXIT NODE or /EXIT USER terminates a conversation on the IMS where the /EXIT command is entered or routed to by the OM SPOC.

/EXIT is not valid from an LU 6.2 device or OTMA device. DEALLOCATE the APPC conversation after receiving all output from an iteration. When the /EXIT command specifies only the CONVERSATION keyword, the command can be entered only from the terminal that owns the conversation.

**CONVERSATION**

Terminates the specified conversation. The conversation is terminated whether it was active or held. The conversation identifier (conv#) must be specified as a 4-digit number, including leading zeros.

**LINE PTERM**

Terminates the conversation on the physical terminal specified, regardless of whether the conversation was active or held. The line specified must be in stopped and idle status.

**NODE**

Terminates the conversation on the node specified, regardless of whether the conversation was active or held. The node specified must be stopped or idle. This form of the command does not support dynamic nodes or LU 6.2 nodes defined with users.

The NODE USER combination applies only to the specified half-session of the ISC parallel session node allocated to USER. The half-session must have been stopped and idled. The command must be issued from a terminal or node other than the one in the conversation.

**USER**

Terminates the conversation associated with the specified user. The user must not be signed on to a node. The user must be dynamic.

---

**Examples****Example 1 for /EXIT Command**

Entry ET:

```
/EXIT
```

Response ET:

```
DFS058I  EXIT COMMAND COMPLETED
```

Explanation: The active and not held conversation associated with the entering terminal is terminated.

**Example 2 for /EXIT Command**

Entry ET:

```
/EXIT
```

Response ET:

```
DFS576I  EXIT COMPLETED, TRANSACTION DISCARDED
```

Explanation: /EXIT processing found the conversational transaction enqueued for an application or transmission across an MSC link, but it has not yet been scheduled for processing. The transaction has been discarded.

**Example 3 for /EXIT Command**

Entry ET:

```
/EXIT
```

Response ET:

```
DFS577I  EXIT COMPLETED, TRANSACTION STILL ACTIVE
```



Explanation: /EXIT processing found the conversational transaction had been or is in the process of being transmitted across an MSC link.

### Example 4 for /EXIT Command

Entry ET:

```
/EXIT CONVERSATION 0001
```

Response ET:

```
DFS058I  EXIT COMMAND COMPLETED
```

Explanation: The active or held conversation (0001) is terminated if the terminal is in conversation.

### Example 5 for /EXIT Command

Entry ET:

```
/EXIT CONVERSATION 0001 LINE 10 PTERM 2
```

Response ET:

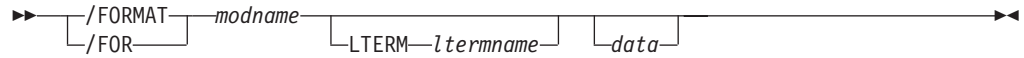
```
DFS058I  EXIT COMMAND COMPLETED
```

Explanation: Used from another PTERM or master terminal when a PTERM in conversation is "locked," waiting for a response. /EXIT CONVERSATION should be used before a /START LINE command that resets all conversations active on the line.



## Chapter 26. /FORMAT

### Format



### Environments and Keywords

Table 62 lists the environments (DB/DC, DBCTL, and DCCTL) from which the command and keyword can be issued.

Table 62. Valid Environments for the /FORMAT Command and Keyword

Command / Keyword	DB/DC	DBCTL	DCCTL
/FORMAT	X		X
LTERM	X		X

### Usage

/FORMAT causes a specific format to be displayed on a physical terminal using the IMS Message Format Service (MFS). The displayed format is used by IMS in processing the next input from the formatted terminal.

Using a password with /FORMAT is not valid.

/FORMAT, where an IMS-supplied default modname is used, is not effective for a 3270 master terminal that uses the MFS master terminal formatting option.

**Recommendation:** If a format is lost during a conversation, do **not** use the /FORMAT command to restore the format. Instead, enter a /HOLD command followed by a /RELEASE command to display the first physical page of the current message and restore the format.

#### modname

Specifies the name of the message output descriptor (MOD) to be used to format the terminal.

#### LTERM

Specifies the name of the logical terminal to be formatted. LTERM is required when a terminal other than the input terminal is to be formatted. If LTERM is not specified, the input physical terminal must have at least one LTERM assigned.

If the ltermname does not exist, an attempt is made to create the lterm and associated user structure. The command creates this structure by queuing the format and data, if any exists, to the terminal as if it were a message. This process is similar to a message switch, a message insert, or a /BROADCAST LTERM, all of which queue a message to an LTERM.

The format request is rejected if the specified LTERM is:

- Assigned to a physical terminal that is not supported by MFS
- In line-response mode or exclusive mode
- Involved in an active conversation
- An input-only terminal

- Not the alternate master in an XRF system
- A remote LTERM

In an IMSplex, /FORMAT LTERM can be used to queue a format to an LTERM that is not active or that is active on any IMS in the IMSplex.

**data**

Is a string consisting of 1 to 8 characters to be inserted into the output message created for the terminal being formatted. Since MFS treats the data as application program output data, the data string can be used to select a logical page (LPAGE) within the requested MOD. The way the selection is performed is determined by the requested MOD's LPAGE definitions.

---

**Example for /FORMAT Command**

Remote Terminal entry:

```
/FORMAT DFSMO4
/BROADCAST LTERM WTOR (eos)
this is segment 1 (eos)
this is segment 2 (eos)
this is segment 3 (eom)
```

Response ET:

```
DFS058I BROADCAST COMMAND COMPLETED
```

Response RT:

```
THIS IS SEGMENT 1
THIS IS SEGMENT 2
THIS IS SEGMENT 3
```

Explanation: The remote terminal is first formatted by the /FORMAT command, where default format DFSMO4 supports the input of 4 segments. This is followed by /BROADCAST with four segments.

---

## Chapter 27. /HOLD

---

### Format




---

### Environments

Table 63 lists the environments (DB/DC, DBCTL, and DCCTL) from which the command can be issued.

*Table 63. Valid Environments for the /HOLD Command*

Command	DB/DC	DBCTL	DCCTL
/HOLD	X		X

---

### Usage

The /HOLD command suspends and saves a currently active conversation.

The IMS response to /HOLD provides a conversation identification that must be used later when the held conversation is resumed (/RELEASE command) or terminated (/EXIT).

In an IMSplex, if global resource information is kept in Resource Manager, /HOLD suspends and saves the active conversation globally in Resource Manager. If global resource information is not kept in Resource Manager, /HOLD suspends and saves the active conversation locally.

---

### Example for /HOLD Command

Entry ET:

```
/HOLD
```

Response ET:

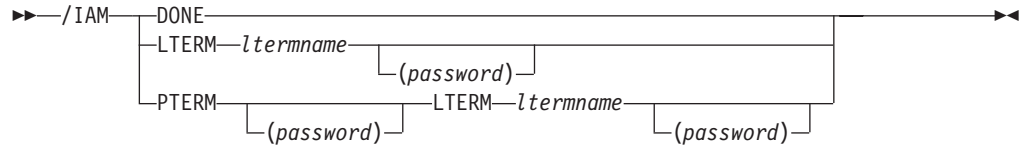
```
DFS999I HELD CONVERSATION ID IS 0001
```

Explanation: The active conversation is saved and is assigned an identification of 0001.



## Chapter 28. /IAM

### Format



### Environments and Keywords

Table 64 lists the environments (DB/DC, DBCTL, and DCCTL) from which the command and keywords can be issued.

Table 64. Valid Environments for the /IAM Command and Keywords

Command / Keywords	DB/DC	DBCTL	DCCTL
/IAM	X		X
DONE	X		X
LTERM	X		X
PTERM	X		X

### Usage

/IAM is used to sign on to IMS from a terminal that is on a non-VTAM attached switched communication line. This command (without the DONE keyword) must be entered before any input transaction codes or terminal commands are accepted.

The terminal operator has five chances to sign on. If signon is not accomplished after five tries, IMS sends the operator a message indicating that the line is being disconnected. IMS disconnects the line and restores the line to answering status.

/IAM is not supported for Network Terminal Option devices.

#### DONE

Requests that IMS disconnect your terminal.

#### LTERM

Indicates this command automatically accomplishes the attachment of a user logical terminal named ltermname to the switched (dialup) communication line over which the call was received from the remote terminal.

If the first four characters of the ltermname parameter are INQU, the connection is completed with the inquiry logical terminal associated with the line/pterm that received the call.

#### PTERM [password] LTERM ltermname [password]

All logical terminals associated with the user in which logical terminal ltermname exists are signed on to the terminal entering the command. This form of /IAM is required if conversational transactions are to be entered.

---

## Examples

### Example 1 for /IAM Command

Entry ET:

```
/IAM LTERM SMITH
```

Response ET:

```
DFS058I IAM COMMAND COMPLETED
```

Explanation: Logical terminal SMITH is signed on to IMS.

### Example 2 for /IAM Command

Entry ET:

```
/IAM LTERM INQU
```

Response ET:

```
DFS058I IAM COMMAND COMPLETED
```

Explanation: The inquiry logical terminal associated with the line/pterm that received the call is signed on to IMS.

### Example 3 for /IAM Command

Entry ET:

```
/IAM PTERM (DOLLY) LTERM SUE (GIRL)
```

Response ET:

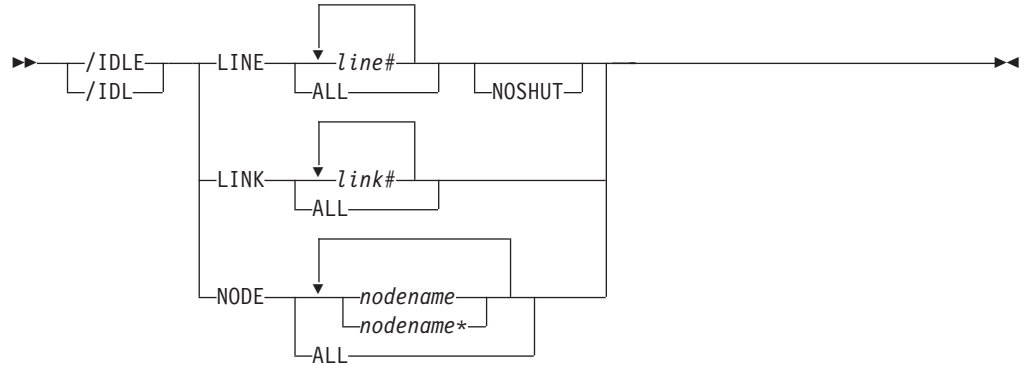
```
DFS058I IAM COMMAND COMPLETED
```

Explanation: All logical terminals associated with the user to which LTERM SUE belongs are signed on to IMS.



# Chapter 29. /IDLE

## Format



## Environments and Keywords

Table 65 lists the environments (DB/DC, DBCTL, and DCCTL) from which the command and keywords can be issued.

Table 65. Valid Environments for the /IDLE Command and Keywords

Command / Keywords	DB/DC	DBCTL	DCCTL
/IDLE	X		X
LINE	X		X
LINK	X		X
NODE	X		X
NOSHUT	X		X

## Usage

/IDLE is used to immediately terminate input from, or output to, physical terminals assigned to the lines, logical links, or nodes specified in the command. Partially processed input messages on the lines specified in the command are discarded. Output messages being sent are returned to the message queues for later transmission.

### LINE

Specifies the communication line to be immediately terminated.

/IDLE does not apply to the system console line, the master terminal line, or the secondary master terminal line. If these lines are specified, a DFS058 COMMAND COMPLETED EXCEPT LINE X message is returned. If the master terminal is assigned to a line that must be idle, the master terminal must be reassigned to a different line before /IDLE is specified.

### NOSHUT

Immediately terminates input to and output from 3270 remote BTAM lines without a checkpoint shutdown. /IDLE cannot be entered before a checkpoint unless the NOSHUT keyword is included in the command. NOSHUT is only valid if IMS is not in the process of shutting down and is mutually exclusive with

the NODE parameter. When /IDLE LINE line# NOSHUT is entered, the 3270 remote BTAM lines must be stopped or process stopped. A DFS058 COMMAND COMPLETED EXCEPT LINE X message is returned if the command is entered and one of the following conditions exists:

- The line is the master terminal line or system console line, including the secondary master terminal line.
- The line is not stopped or process stopped.
- The line is not a 3270 remote BTAM line.
- The line is not open.
- The line is deactivated by IMS.

If the line specified with the NOSHUT keyword belongs to a line group, the input and output for all lines within the group are immediately terminated. If the line belonging to the line group has the master terminal assigned to it, the /IDLE LINE line# NOSHUT command is rejected.

To restart the lines idled by the /IDLE LINE line# NOSHUT command, either the /START LINE or /RSTART LINE command must be entered.

## LINK

Specifies the logical link from which input, or to which output, is to be terminated. (No input messages are lost with /IDLE LINK.)

If a checkpoint shutdown is not in progress, only MSC VTAM links are valid. All non-MSC VTAM links require a shutdown checkpoint in progress. IMS returns a DFS058 IDLE COMMAND COMPLETED EXCEPT LINK X message if one of the following conditions exists:

- The link is idled already.
- The link is not connected.
- The link cannot be opened.
- A shutdown checkpoint is not in progress (for non-MSC VTAM links).

An /IDLE LINK link# command internally causes issuing of the VTAM command:

```
VARY NET,TERM,TYPE=FORCE,NOTIFY=NO,SCOPE=ALL,LU1=xxxxxxxx,LU2=yyyyyyyy
```

All logical links, assigned to the same physical link, associated with the named logical link (link#) will be stopped. That is, all parallel sessions on the same physical link will be stopped. The /RSTART LINK command is used to reactivate links or sessions.

The /IDLE LINK link# command should not be used as the first attempt to stop the link. If the MSC link appears to be hung, the IMS operator should:

1. First attempt to stop the link with the IMS /PSTOP command.
2. If this fails, display the link session status through VTAM, using the VTAM command:

```
D NET,ID=xxxxxxxx
```

or the VTAM command:

```
D NET,SESSIONS,LIST=ALL
```

3. If the link session is still active (STATUS=ACTIV), terminate it with the /IDLE LINK command or the VTAM command:

```
VARY NET,TERM,TYPE=FORCE,LU1=xxxxxxxx
```

**Note:** All parallel sessions associated with the link will be terminated.

### **NODE**

Specifies the VTAM node to which output is to be terminated, or from which input is to be terminated. The master terminal only can be idled when specifically named.

If an /IDLE NODE nodename command is entered for an ISC node defined with users, all half-sessions of the specified node are affected.

An /IDLE NODE ALL command causes the VTAM command VARY NET,INACT, to be issued to all nodes still connected to IMS, except the master terminal.

If the /IDLE NODE command is entered prior to IMS entering shutdown, the /ACT command can be entered to reactivate the node in VTAM. If the /IDLE NODE command is entered while in IMS shutdown, a VARY NET,ACT command might have to be entered directly to VTAM. However, before using the /IDLE command, a /CLSDST and then a /CLSDST FORCE command should be tried.

The node parameter can be generic. The generic parameter specifies nodes that already exist.

---

## **Examples**

### **Example 1 for /IDLE Command**

Entry ET:

```
/IDLE LINE 14 24
```

Response ET:

```
DFS058I IDLE COMMAND COMPLETED
```

Explanation: The I/O on lines 14 and 24 is forced to terminate.

### **Example 2 for /IDLE Command**

Entry ET:

```
/IDLE LINE 4 NOSHUT
```

Response ET:

```
DFS058I IDLE COMMAND COMPLETED
```

Explanation: The I/O on line 4, which is a 3270 remote BTAM line, is forced to terminate.

### **Example 3 for /IDLE Command**

Entry ET:

```
/IDLE LINK 2
```

Response ET:

```
DFS058I IDLE COMMAND COMPLETED
```

Explanation: The input/output on logical link 2 is forced to terminate.

### **Example 4 for /IDLE Command**

Entry ET:

```
/IDLE NODE ABC
```

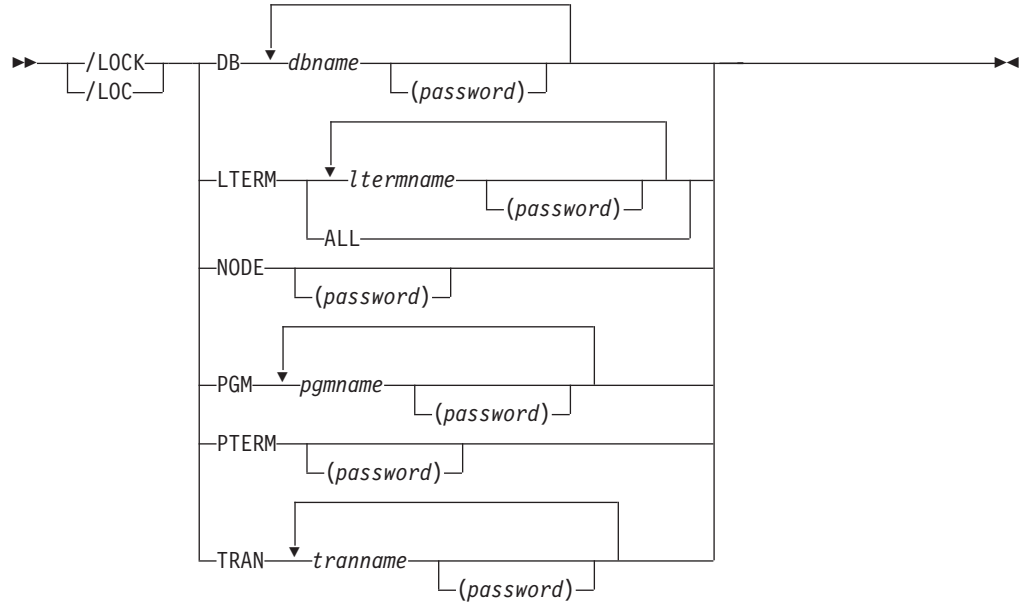
Response ET:

```
DFS058I  IDLE COMMAND COMPLETED
```

Explanation: A VARY NET, INACT command is executed that will cause the IMS VTAM LOSTERM exit to be entered with an indication that the session has been terminated.

## Chapter 30. /LOCK

### Format



### Environments and Keywords

Table 66 lists the environments (DB/DC, DBCTL, and DCCTL) from which the command and keywords can be issued.

Table 66. Valid Environments for the /LOCK Command and Keywords

Command / Keywords	DB/DC	DBCTL	DCCTL
/LOCK	X	X	X
DB	X	X	
LTERM	X		X
NODE	X		X
PGM	X	X	X
PTERM	X		X
TRAN	X		X

### Usage

/LOCK stops the sending and receiving of messages to and from a terminal, stops the scheduling of messages containing a specific transaction code, stops the scheduling of a specific program, and stops the use of a database. Queuing of output messages for a particular communication line, terminal, or transaction code is not affected.

The /LOCK command can be used on HALDBs. For more information see Appendix H, "High Availability Large Database Commands," on page 867

The output of the /LOCK DB command is changed when the command is entered through the OM API. In this case, the DFS058I message is not returned to OM. The command response returned to OM contains one or more of the following messages: DFS0488I, DFS3466I, or DFS132. The OM API does not support the /LOCK command without any keywords.

3 You can specify password security on the /LOCK command by requiring a password  
3 after a resource name is entered. If the resource is not defined with password  
3 protection in SMU or SMU security is not used, the password is ignored.

3 A resource name can also be defined with password protection in SAF. If the  
3 parameter, LOCKSEC=Y (N is the default) is specified on the DFSDCxxx  
3 IMS.PROCLIB member, the SAF and user exit calls are made after the SMU calls.  
3 If the resource is not defined to SAF, or is defined and is authorized to the user, the  
3 command is processed. If the resource is defined to SAF but not authorized for use,  
3 the command is rejected with a DFS3689W message.

### DATABASE

LOCK prevents subsequently scheduled programs from accessing the database. /LOCK DATABASE does not close the database or affect currently scheduled programs.

If the database is a DEDB or MSDB, programs using the database will not be scheduled. For other databases, the programs will still be scheduled. If the INIT call was issued, however, a call against the database will result in either a 3303 pseudo abend or a BA status code.

For DBCTL, CCTL can specify LONG or SHORT when it schedules a PSB. If the database is currently scheduled to a LONG thread, the command is rejected. If not, the thread completes before the database is acted upon. If the thread completes, a commit point or transaction termination is the result.

For the results of issuing this command on a shared secondary index, see Appendix D, "Shared Secondary Index Database Commands," on page 849

### LTERM

Specifies the logical terminal for which sending and receiving of messages is to be stopped. /LOCK LTERM applies only to logical terminals associated with the entering physical terminal.

2 The password specified with /LOCK LTERM is ignored for dynamic LTERMs  
2 because the Security Maintenance Utility is used for password support and is  
2 not supported for dynamic terminals. The /LOCK command itself is not ignored.  
2 The password is also ignored for static LTERMs when SMU security is not used  
2 or the LTERM is not defined with password security.

The /LOCK LTERM ALL command can only be used when none of the logical terminals associated with the entering physical terminal have passwords.

### NODE

Specifies that the sending and receiving of messages for the VTAM node associated with the entering physical terminal is to be stopped.

2 The password specified with /LOCK NODE is ignored for dynamic ACF/VTAM  
2 nodes because the Security Maintenance Utility is used for password support  
2 and is not supported for dynamic terminals. The /LOCK command itself is not  
2 ignored. The password is also ignored for static nodes when SMU security is  
2 not used or the node is not defined with password security.

### PROGRAM

Specifies the program for which scheduling is to be stopped.

**PTERM**

Specifies that the sending and receiving of messages for the entering physical terminal is to be stopped.

**TRANSACTION**

Specifies that scheduling of messages containing this transaction code is to be stopped. The /LOCK TRANSACTION command cannot be used with Fast Path exclusive transactions but can be used with Fast Path potential transactions.

/LOCK TRANSACTION cannot be used for CPI Communications driven programs.

/LOCK LTERM, NODE, and PTERM apply only to the entering physical terminal. /LOCK DATABASE | PROGRAM | TRANSACTION is only valid if entered from the master terminal, the system console, a TCO script, or an AOI application program.

Issuing /LOCK for a physical terminal, logical terminals, or nodes prevents application program output from being sent (assuming nonresponse mode transactions) and message switches from any other terminals. Output message queuing continues for the locked physical terminal. /STOP LTERM can be used instead of /LOCK LTERM, because both stop the sending and receiving of messages to the physical terminal.

If the terminals are on a switched communication network and a physical or logical terminal disconnection occurs, an implied /UNLOCK is processed against the physical terminal and inquiry logical terminal.

The /LOCK command cannot be used with logical terminals assigned to deallocated users.

---

## Examples

### Example 1 for /LOCK Command

Entry ET:

```
/LOCK DATABASE TREEFARM
```

Response ET:

```
DFS058I LOCK COMMAND COMPLETED
```

Explanation: Application programs that use the MSDB database named TREEFARM are no longer scheduled. Transaction input can continue.

### Example 2 for /LOCK Command

Entry ET:

```
/LOCK LTERM ALL
```

Response ET:

```
DFS058I LOCK COMMAND COMPLETED
```

Explanation: Output is queued but not sent to the logical terminals associated with the physical terminal from which /LOCK was entered.

### Example 3 for /LOCK Command

Entry ET:

```
/LOCK PROGRAM APPLETRE
```

Response ET:

```
DFS058I LOCK COMMAND COMPLETED
```

Explanation: Program APPLETRT can no longer be scheduled.

### Example 4 for /LOCK Command

Entry ET:

```
/LOCK PTERM
```

Response ET:

```
DFS058I LOCK COMMAND COMPLETED
```

Explanation: Application program output (if nonresponse mode transaction) and message switches from other terminals are not sent to the entering physical terminal. Output is queued for later transmission when the terminal is unlocked.

### Example 5 for /LOCK Command

Entry ET:

```
/LOCK TRANSACTION SEED
```

Response ET:

```
DFS058I LOCK COMMAND COMPLETED
```

Explanation: The application program for transaction code SEED can no longer be scheduled. Transaction input can continue.

Entry ET:

```
/LOCK TRANSACTION TXCDLM06
```

Response ET:

```
DFS058I LOCK COMMAND COMPLETED EXCEPT TRANSACTION  
TXCDLM06
```

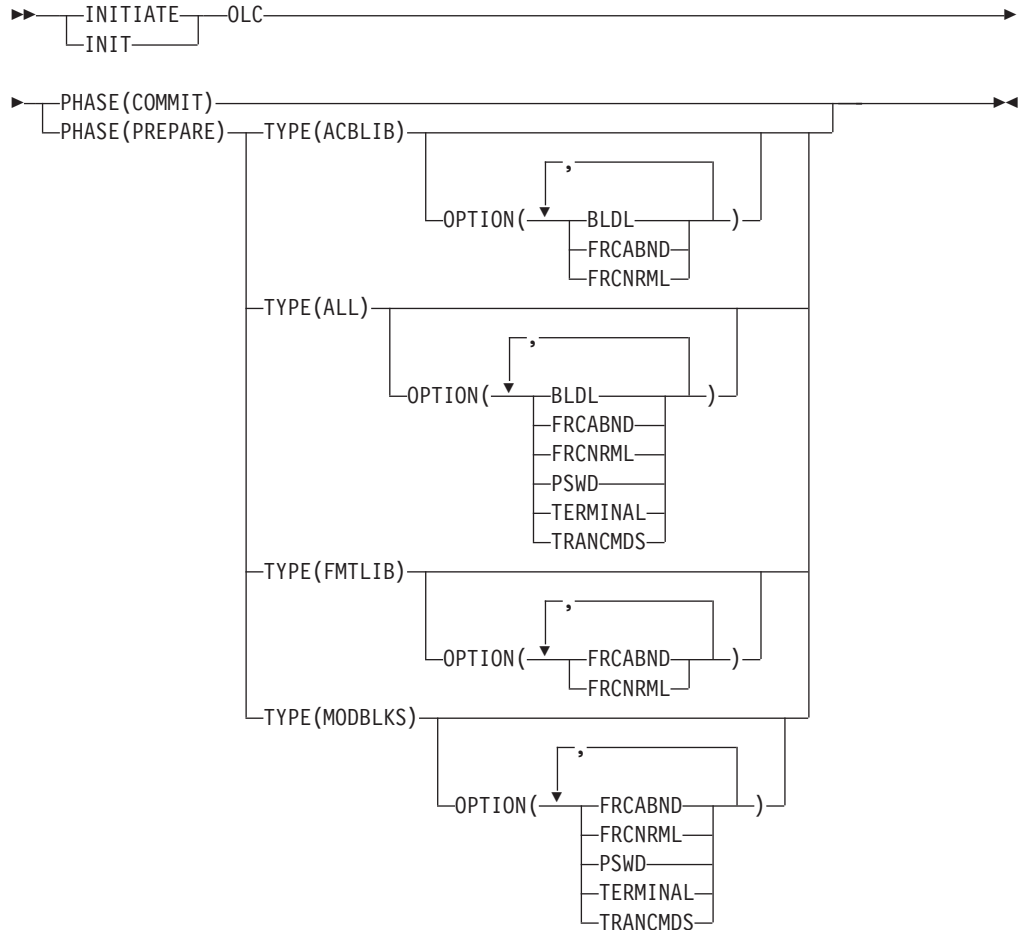
Explanation: TXCDLM06 is a Fast Path exclusive transaction. /LOCK cannot stop the scheduling of Fast Path exclusive transactions.



# Chapter 31. INITIATE

## Format

### INITIATE OLC



## Environments and Keywords

Table 67 lists the environments (DB/DC, DBCTL, and DCCTL) from which the INITIATE command and keywords can be issued.

Table 67. Valid Environments for the INITIATE OLC Command and Keywords

Command / Keywords	DB/DC	DBCTL	DCCTL
INITIATE OLC	X	X	X
ACBLIB	X	X	X
BDL	X	X	X
FMTLIB	X		X
FRCABND	X	X	X
FRCNRML	X	X	X
MODBLKS	X	X	X

Table 67. Valid Environments for the INITIATE OLC Command and Keywords (continued)

Command / Keywords	DB/DC	DBCTL	DCCTL
OPTION	X	X	X
PHASE	X	X	X
PSWD	X	X	X
TERMINAL	X		X
TRANCMD5	X		X
TYPE	X	X	X

---

## INITIATE OLC

3 If an IMSplex is running with an RM environment (RMENV=Y), the INITIATE OLC  
 3 (initiate online change) command initiates a phase of global online change of  
 3 resources and coordinates the phase with all of the IMSs in the IMSplex. The RM  
 3 environment (RMENV = Y | N) is specified in the DFSCGxxx PROCLIB member.  
 3 INITIATE OLC is similar to /MODIFY PREPARE and /MODIFY COMMIT, except that it  
 3 applies to an IMSplex-wide global online change. OM sends the INITIATE OLC  
 3 command to one master IMS in the IMSplex. The command master IMS uses RM  
 3 services to coordinate the online change with all participating IMSs.

3 If the command master IMS in an IMSplex is running without an RM environment  
 3 (RMENV=N), the INITIATE OLC command is performed locally at the IMS to which  
 3 the command was sent. The OLCSTAT DS must be unique for each IMS in the  
 3 IMSplex that is running with no RM environment (RMENV=N). The OLCSTAT DS  
 3 cannot be shared between IMSs and must be unique. If the OLCSTAT DS contains  
 3 the name of an IMS other than the one processing the online change, INITIATE OLC  
 3 is rejected with a reason code indicating that the OLCSTAT data set is invalid for  
 3 the environment. You can use the QUERY OLC command to display the contents of  
 3 the OLCSTAT data set to determine which IMS member name is invalid. To correct  
 3 the data set, you can use the OLC utility, DFSUOLC0.

2 If INITIATE OLC is issued with a route list containing either the default Route All or  
 2 multiple IMSs that do not have RM running, the INITIATE OLC command must be  
 2 issued separately to each IMS. To perform online change for IMSs that do not have  
 2 RM, you must issue the INITIATE OLC command to each IMS. For example, if you  
 2 have four IMS systems, you must issue the command to each IMS. To determine  
 2 which IMSs are defined with RMENVNO in the DFSCGxxx PROCLIB member, you  
 2 can issue the QUERY MEMBER SHOW(ATTRIB) command.

2 If multiple IMS systems are in an IMSplex where some IMSs use RM services and  
 2 other IMSs do not, you must ensure that the OLCSTAT data sets are properly  
 2 defined to the IMS systems. The IMS systems that use RM services and global  
 2 online change must share one OLCSTAT DS. Each IMS system that does not use  
 2 RM services must have its own unique OLCSTAT DS.

INITIATE OLC is not supported if local online change is enabled. The INITIATE OLC  
 PHASE(PREPARE) command is rejected if the IMS to which the command is routed  
 does not support global online change. If this occurs and there is an IMS that  
 supports global online change, the user must route the command to a specific IMS  
 that supports global online change.

The correct online change command sequence is INITIATE OLC PHASE(PREPARE)  
 followed by INITIATE OLC PHASE(COMMIT). Use the /DISPLAY MODIFY command to

display the work in progress for resources to be changed or deleted, before attempting the COMMIT phase. When COMMIT is successful, the modifications persist across all IMS restarts, unless global online change occurs while this IMS is down.

If the INITIATE OLC PHASE(PREPARE) is specified without a FRCABND or FRCNRML keyword and the command fails as one or more IMSs are down or go down before the online change is committed, the online change must be aborted and started over. Issue the TERMINATE OLC command to abort the online change.

If the INITIATE OLC PHASE(PREPARE) is specified with the FRCNRML keyword and the command fails for any IMS, you can proceed with an INITIATE OLC PHASE(COMMIT) command, if desired, after shutting down those IMSs where prepare failed. Otherwise, you must abort the online change and start over.

If the INITIATE OLC PHASE(PREPARE) is specified with the FRCABND keyword and the command fails for any IMS, you can proceed with an INITIATE OLC PHASE(COMMIT) command, if desired, after cancelling those IMSs where prepare failed. Otherwise, you must abort the online change and start over.

The INITIATE OLC command master usually performs the online change phase locally first. If the online change phase fails locally, the command master usually skips sending the online change phase to the other IMSs, sets a completion code for each other IMS indicating that the online change phase was not attempted, and terminates command processing. However, if the INITIATE OLC PHASE(COMMIT) command fails on the local IMS because of work in progress, the command master still sends the commit phase 1 to the other IMSs. The purpose is to report work in progress for all the IMSs in the IMSplex, to facilitate completion of work in progress.

In a mixed IMSplex, you might have some variations of IMSs that support a particular type of online change and some that do not. At least one IMS in the IMSplex must successfully perform the online change phase for the command to be considered successful. If no IMS in the IMSplex supports the type of online change that the command is attempting, the command reason code indicates that none of the IMSs performed the online change phase. If you enter an INITIATE OLC PHASE(PREPARE) command that does not apply to any IMS in the IMSplex, you must terminate the online change with a TERMINATE OLC command.

If the INITIATE OLC PHASE(COMMIT) command fails for any IMS before the OLCSTAT data set is updated, you may either correct the errors and try the commit again or abort the online change with a TERMINATE OLC command.

If the INITIATE OLC PHASE(COMMIT) command fails for any IMS after the OLCSTAT data set has been updated, you may correct the errors and try the commit again. The online change cannot be aborted.

If an IMS abends during online change and the INITIATE OLC PHASE(PREPARE) command was not specified with FRCABND, then issue the TERMINATE OLC command to abort the online change. The INITIATE OLC PHASE(COMMIT) command is not permitted in this case. If an IMS abends during online change and the INITIATE OLC PHASE(PREPARE) command was specified with FRCABND, then the INITIATE OLC PHASE(COMMIT) command is permitted.

IMSplex commands and classic commands that come from the OM interface are rejected during the commit phase, if the command changes resources. Commands that change resources could interfere with the online change of the resources.

IMSplex commands and classic commands that come from the OM interface are permitted during the commit phase, if the command displays resources, such as QUERY or /DISPLAY. Classic commands that are entered from the system console or an IMS terminal are queued during the online change commit phase. These commands run after the online change is committed or aborted.

The resources that may be changed online are areas, databases, DMBs, Fast Path DEDB databases, MFS formats, programs, routing codes, SMU security definitions, and transactions.

If IMS is in an IMSplex and Resource Manager (RM) is using a resource structure, the transactions being added by the online change are registered to RM if they are not already registered to RM. If any error occurs during the CSLRMUPD request to register the transactions, the /MODIFY or INITIATE OLC command will fail and IMS will be in a COMMIT2F state.

If an INITIATE OLC PHASE(COMMIT) command results in the IMS remaining in a COMMIT2F state, a completion code of the error that caused it is returned to OM. If the error can be fixed, the INITIATE OLC PHASE(COMMIT) can be re-issued and CSLRMUPD retried and the online change completed. If the error cannot be fixed, the IMS has to be cancelled and warm started as the online change is not complete.

This command is invalid on an XRF alternate, RSR tracker, and FDR system.

Each IMS participating in the global online change does not issue the same synchronous online change messages to the master terminal or system console that it does for a local online change. The OM command response contains information equivalent to the online change messages that appear for the local online change, such as the DFS3499 message contents. See "INITIATE Return and Reason Codes" on page 394 for more information about what is returned from an INITIATE OLC command.

Each IMS participating in the global online change may issue asynchronous online change messages to the system console, such as DFS3400, DFS3445, and DFS3498.

The OM command time-out default of 300 seconds (5 minutes) may not be enough time for the online change phase to complete. It may be required to specify a time-out value on the command based on the needs of the installation.

#### **OPTION()**

Specifies an additional function to be performed during an online change. Following is a list of additional functions:

**BLDL** Sends asynchronous information message DFS3498I to the system console for each PSB or DMB not found in ACBLIB. This message does not affect the success of the command.

#### **FRCABND**

Forces the online change prepare phase even if one or more required IMSs in the IMSplex have abended. An IMS is required to participate in the global online change if it is listed in the OLCSTAT data set as being current with the online change libraries. An IMS is listed in the OLCSTAT data set because it either participated in the last global online change or coldstarted since the last global online

change. A successful global online change specified with the FRCABND removes an abended IMS from the list of required IMSs in the OLCSTAT data set.

**FRCNRML**

Forces the online change prepare phase even if one or more required IMSs in the IMSplex have terminated normally. An IMS is required to participate in the global online change if it is listed in the OLCSTAT data set as being current with the online change libraries. An IMS is listed in the OLCSTAT data set because it either participated in the last global online change or coldstarted since the last global online change. A successful global online change specified with the FRCNRML keyword removes an IMS that shut down normally from the list of required IMSs in the OLCSTAT data set.

**PSWD** Specifies specific types of SMU password security definitions to add, if they had not existed before. The application of new security definitions are always attempted based upon the prevailing security options in effect from the last IMS initialization.

**TERMINAL**

Specifies specific types of SMU terminal security definitions to add, if they had not existed before. The application of new security definitions are always attempted based upon the prevailing security options in effect from the last IMS initialization.

**TRANCMSD**

Specifies specific types of SMU transaction command security definitions to add, if they had not existed before. The application of new security definitions are always attempted based upon the prevailing security options in effect from the last IMS initialization.

**PHASE()**

Refers to the online change phase to start. The PREPARE phase must be performed first, followed by the COMMIT phase:

**PREPARE**

Performs the online change prepare phase on each IMS system listed in the OLCSTAT data set by specifying which resources are to be added, changed, and deleted. PREPARE is not recovered across an emergency restart and must be reentered after restart if the COMMIT phase did not complete prior to IMS failure.

The prepare phase is rejected if any IMSs in the IMSplex current with the online change libraries are down, unless the FRCABND or the FRCNRML option is used. The OLCSTAT data set lists the IMSs that are current with the online change libraries. These IMSs either participated in the last global online change or coldstarted after the last global online change. To force a global online change in spite of abended IMSs, use the FRCABND option. To force a global online change in spite of IMSs that are shut down normally, use the FRCNRML option. The prepare phase fails if any IMS participating in the global online change prepare phase fails, detects an error, or fails to respond in time. Zero, one, or more of the IMSs remain in an online change prepare complete state. Issue the QUERY MEMBER TYPE(IMS) SHOW(STATUS) command to display the online change state of all the IMSs in the IMSplex. Evaluate the QUERY MEMBER TYPE(IMS) output to help you decide whether to issue

the INITIATE OLC PHASE(PREPARE) command to try the prepare again, or to issue the TERMINATE OLC command to abort the online change. The IMSs that are in an online change state remain in an online change state until you abort or commit the online change. IMS does not automatically abort online change because of a failure. IMS leaves the IMSs in their online change states. You must issue the QUERY MEMBER TYPE(IMS) SHOW(STATUS) command and evaluate the output to decide whether to abort the online change or attempt the online change phase again.

## COMMIT

Performs the online change commit phase on each IMS listed in the OLCSTAT data set, which commits the online changes by bringing all the newly defined resources online, updating changed resources, and removing deleted resources. The commit phase consists of commit phase 1, the OLCSTAT data set update, commit phase 2, and commit phase 3. The OLCSTAT data set is updated with the new current online change libraries and the list of IMSs that are current with the current online change libraries. The commit phase 2 switches the online environment from the active ACBLIB, FORMAT, MATRIX, or MODBLKS libraries to the inactive libraries containing the new or changed resource descriptions.

The commit phase fails if any IMS participating in the global online change commit phase fails, detects an error, or fails to respond in time. Zero, one, or more of the IMSs might be in an online change prepare complete state, a commit phase 1 complete state, or no longer in an online change state because commit phase 2 succeeded. Issue the QUERY MEMBER TYPE(IMS) SHOW(STATUS) command to display the online change state of all the IMSs in the IMSplex. Evaluate the QUERY MEMBER TYPE(IMS) output to help you decide whether to issue the INITIATE OLC PHASE(COMMIT) command to try the commit again, or issue the TERMINATE OLC command to abort the online change. The IMSs that are in an online change state remain in an online change state until you abort or commit the online change.

IMS does not automatically abort online change because of a failure. IMS leaves the IMSs in their online change states. You must issue the QUERY MEMBER TYPE(IMS) SHOW(STATUS) command and evaluate the output to decide whether to abort the online change or attempt the online change phase again.

If a database is deleted, IMS closes the database and makes it unavailable to programs. Also, if the database is authorized for DBRC, COMMIT unauthorizes it.

If FMTLIB is being changed, most new and in-progress requests are queued for processing after the INITIATE OLC PHASE(COMMIT) command is completed.

Most new and in-progress requests are queued for processing.

An INITIATE OLC PHASE(COMMIT) is rejected if:

- An INITIATE OLC PHASE(PREPARE) command was not previously entered.
- Commit phase 1 fails on one or more IMSs in the IMSplex.
- Transactions to be deleted have messages queued.



- Transactions to be changed by the following system definition keywords have messages queued:
  - MSGTYPE
  - INQUIRY
  - FPATH
  - EDIT
  - SPA
- Transactions to be changed by keywords not shown in the previous bullet have messages queues and the transactions have not been the object of a /STOP or /PSTOP command.
- Transactions with access to programs or databases to be changed or deleted are prevented from updating and the transactions have not been the object of a /STOP or /PSTOP command. When a transaction shows a status of USTOP during a /DISPLAY TRAN command, the /STO command might need to be entered because the /PSTOP command might not allow the INITIATE OLC command to complete the transaction.
- Programs or databases to be changed or deleted are scheduled.
- Any program (PSB) that is currently scheduled has a program, database, or transaction change or deletion. This includes Wait for Input (WFI) and Fast Path transactions. All WFI and Fast Path regions that reference changed or deleted routing codes, programs, or databases must be stopped before entering the INITIATE OLC PHASE(COMMIT).
- An I/O error occurs while reading the inactive MFS FORMAT library directory or the resident index (\$\$IMSDIR) member.
- A /START DATABASE command is in progress for any database that is changed or deleted.
- A /DBDUMP or /DBRECOVERY command is in progress for any database that is changed or deleted.
- An IMS that participated in the prepare phase shut down normally or abended. The online change must be aborted and started over.
- OM routed the command to an IMS where local online change is enabled.
- The OLCSTAT data set is not locked for global online change. The INITIATE OLC PHASE(PREPARE) commands locks the OLCSTAT data set, so that no IMSs can initialize during the global online change. The commit command is rejected if the lock is not set. The INITIATE OLC PHASE(PREPARE) command might not have completed successfully or the OLCSTAT data set contents might be invalid.
- An IFP region is running. INITIATE OLC PHASE(COMMIT) is rejected because an active route code exists. All IFP regions must be terminated before issuing a COMMIT.

2  
2  
2

Operator action might be required to prevent the preceding conditions. For example, if a program or database is scheduled, the operator should either wait until the program or database is finished before the INITIATE OLC PHASE(COMMIT) command is entered or the operator should issue /STOP, /PSTOP, or UPDATE TRAN for the associated transaction.

**TYPE()**

Specifies the types of resources that are changed online. The resources are as follows:

**ACBLIB**

Causes IMS to prepare to add, change, or delete database descriptors (DMB) and program descriptors (PSB) to ACBLIB. The online environment is switched from the active ACBLIB to the inactive ACBLIB containing new or changed DMB and PSBs. ACBLIB members that are not found are displayed as CHANGED because a DDIR or PDIR exists in MODBLKS. Additions or deletions to ACBLIB require the MODBLKS parameter. Quiesces transactions to be changed or deleted and transactions that access databases or programs to be changed or deleted. Fast Path DEDBs are supported but Fast Path MSDBs are not supported.

**ALL** Prepares to add, change, and delete resources for the ACBLIB, FMTLIB, or MODBLKS libraries. The BLDL function is performed for ACBLIB.

**FMTLIB**

Causes IMS to prepare to add, change, or delete MFS maps in the FMTLIB library that are produced by the MFS Language utility and Service utility. The online environment is switched from the active FMTLIB to the inactive FMTLIB containing new MFS maps produced by the MFS Language utility and Service utility. The FMTLIB parameter is ignored with DBCTL. There are no restrictions on the use of MFS format blocks until the INITIATE OLC PHASE(COMMIT) command is entered.

**MODBLKS**

Causes IMS to prepare to add, change, or delete database, transaction, program, or RTCODE resources in the MODBLKS library or SMU security definitions in the MATRIX library. The online environment is switched from the active MODBLKS and MATRIX libraries to the inactive MODBLKS and MATRIX libraries. The MODBLKS library contains a subset of control blocks produced by IMS system definition and SMU security definitions. The MATRIX library contains SMU security definitions for resources defined in the MODBLKS library. Transactions to be changed or deleted and transactions that access databases or programs to be changed or deleted are quiesced.

**INITIATE OLC Output Fields**

Table 68 on page 393 shows the output fields for an INITIATE OLC command. The columns in the table are as follows:

**Short Label**

Contains the short label generated in the XML output.

**Keyword**

Identifies the keyword on the command that caused the field to be generated. N/A appears for output fields that are always returned.

**Meaning**

Provides a brief description of the output field.



Table 68. INITIATE OLC Output Field Descriptions

SHORT LABEL	KEYWORD	MEANING
MBR	N/A	IMSplex member that built the line of output. IMS identifier of the IMS that is the master of this online change phase. IMS identifier is always returned.
IMSMBR	N/A	IMS member that performed the global online change phase. The IMS member name is always returned.
CC	N/A	Completion code returned by IMS member that performed the global online change phase. Completion code is always returned.
ERRT	N/A	Error text returned by IMS member that failed performing the global online change phase. Error text may be returned if the completion code is nonzero.
ACBL	N/A	Current ACBLIB library suffix (if prepare succeeded or commit succeeded that did not include ACBLIB), or new ACBLIB library suffix (if commit succeeded for ACBLIB). The ACBLIB suffix is returned if the online change prepare phase or commit phase is successful. Suffix A means that ACBLIBA is current. Suffix B means that ACBLIBB is current.
FMTL	N/A	Current FMTLIB library suffix (if prepare succeeded or commit succeeded that did not include FMTLIB), or new FMTLIB library suffix (if commit succeeded for FMTLIB). The FMTLIB suffix is returned if the online change prepare phase or commit phase is successful. Suffix A means that FMTLIBA is current. Suffix B means that FMTLIBB is current.
MODB	N/A	Current MODBLKS library suffix (if prepare succeeded or commit succeeded that did not include MODBLKS), or new MODBLKS library (if commit succeeded for MODBLKS). The MODBLKS suffix is returned if the online change prepare phase or commit phase is successful. Suffix A means that MODBLKSA and MATRIXA are current. Suffix B means that MODBLKSB and MATRIXB are current.
MODI	N/A	Current modify id (if prepare succeeded), or new modify id (if commit succeeded). The modify id - 1 indicates the number of global online changes that have been performed. The modify id is returned if the online change prepare phase or commit phase is successful.

## INITIATE Return and Reason Codes

Two sets of return and reason codes are returned when a command is issued through the OM API. One set of codes is for the OM request and the other set of codes is for the command itself. The OM request return and reason codes that can be returned as a result of the INITIATE OLC command are standard for all commands entered through the OM API.

The return and reason codes returned by the INITIATE OLC command are passed from the OM API on to the SPOC application. These codes are encapsulated in XML tags similar to how the response to the command is encapsulated in XML tags. The IBM-supplied TSO SPOC displays these codes, whereas a user-written SPOC application might choose not to display these codes.

Some reason codes are accompanied by a complete list of IMSs and return codes. The reason code meaning indicates whether a list is returned. A partial list of IMSs and return codes might be returned with any INITIATE OLC error reason code, if any output was built before the error was detected.

Table 69 shows the return and reason codes that might be returned by the INITIATE OLC command as well as the meaning of the codes.

Table 69. Return and Reason Codes for INITIATE OLC

Return Code	Reason Code	Meaning
X'00000000'	X'00000000'	<p>The INITIATE OLC command completed successfully. The INITIATE OLC command applies to all of the IMSs listed in the OLCSTAT data set. Each IMS listed in the OLCSTAT data set is current with the online change libraries and required to participate in the online change. Neither FRCABND nor FRCNRML was specified.</p> <p>If the INITIATE OLC PHASE(PREPARE) command was specified, all of the IMSs listed in the OLCSTAT data set are now in an online change prepare state.</p> <p>If the INITIATE OLC PHASE(COMMIT) command was specified, all of the IMSs listed in the OLCSTAT data set successfully committed the online change.</p> <p>An output line is built for each IMS listed in the OLCSTAT data set. Each output line contains the IMS member name and a completion code of zero.</p>
X'00000004'	X'0000100C'	<p>The command completed successfully, but was not applicable to one or more IMSs for acceptable reasons. The INITIATE OLC command applies to all of the IMSs listed in the OLCSTAT data set. Each IMS listed in the OLCSTAT data set is current with the online change libraries and required to participate in the online change (unless FRCABND or FRCNRML is specified).</p> <p>An output line is built for each IMS listed in the OLCSTAT data set. Each output line contains the IMS member name and a completion code. A nonzero completion code may be accompanied by error text. One or more of the IMSs contain a completion code indicating the online change phase did not apply to this IMS, such as the IMS state is shutdown and FRCSHUT was specified, the IMS state is abended and FRCABND was specified, the online change type does not apply to this IMS, or this IMS is already in the correct online change state. The INITIATE OLC completion code table contains the list of completion codes and error text that can be returned by the INITIATE OLC command.</p>

Table 69. Return and Reason Codes for INITIATE OLC (continued)

Return Code	Reason Code	Meaning
X'00000008'	X'00002040'	The INITIATE OLC command is rejected because of an invalid filter. The INITIATE OLC PHASE(PREPARE) OPTION(BLDL) can only be specified with TYPE ACBLIB or ALL. The PSWD, TERM, and TRANCMDs options can only be specified with TYPE MODBLKS or ALL. The INITIATE OLC PHASE(COMMIT) command does not support TYPE or OPTION.
X'0000000C'	X'00003000'	<p>The INITIATE OLC command is successful for at least one IMS but not all IMSs. The INITIATE OLC command applies to all of the IMSs listed in the OLCSTAT data set. Each IMS listed in the OLCSTAT data set is current with the online change libraries and required to participate in the online change (unless FRCABND or FRCNRML is specified).</p> <p>An output line is built for each IMS listed in the OLCSTAT data set. Each output line contains the IMS member name and a completion code. A nonzero completion code may be accompanied by error text. One or more of the IMSs returned an error completion code. The INITIATE OLC completion code table contains the list of completion codes and error text that can be returned by the INITIATE OLC command.</p> <p>If INITIATE OLC PHASE(PREPARE) fails, the online change must be aborted and started over.</p> <p>If INITIATE OLC PHASE(COMMIT) fails and you want to retry the commit, correct the problem and issue the INITIATE OLC PHASE(COMMIT) command again.</p> <p>To abort the online change, issue the TERMINATE OLC command. If the INITIATE OLC PHASE(PREPARE) command failed or the INITIATE OLC PHASE(COMMIT) command failed before the commit master updated the OLCSTAT data set, the online change is aborted.</p> <p>See 'INITIATE OLC error handling' for more details.</p>
X'0000000C'	X'00003004'	<p>The INITIATE OLC command failed for all of the IMSs. The INITIATE OLC command applies to all of the IMSs listed in the OLCSTAT data set. Each IMS listed in the OLCSTAT data set is current with the online change libraries and required to participate in the online change (unless FRCABND or FRCNRML is specified).</p> <p>An output line is built for each IMS listed in the OLCSTAT data set. Each output line contains the IMS member name and a completion code. A nonzero completion code may be accompanied by error text. The INITIATE OLC completion code table contains the list of completion codes and error text that can be returned by the INITIATE OLC command.</p> <p>If INITIATE OLC PHASE(PREPARE) fails for all of the IMSs listed in the OLCSTAT data set, no IMS is in an online change state. You may try the online change again with another INITIATE OLC PHASE(PREPARE) command.</p> <p>If INITIATE OLC PHASE(COMMIT) fails and you want to retry the commit, correct the problem and issue the INITIATE OLC PHASE(COMMIT) command again.</p> <p>To abort the online change, issue the TERMINATE OLC command. If the INITIATE OLC PHASE(PREPARE) command failed or the INITIATE OLC PHASE(COMMIT) command failed before the commit master updated the OLCSTAT data set, the online change is aborted.</p> <p>See 'INITIATE OLC error handling' for more details.</p>

Table 69. Return and Reason Codes for INITIATE OLC (continued)

Return Code	Reason Code	Meaning
X'00000010'	X'00004004'	The INITIATE OLC command failed because there is no CQS. RM attempted to access the process resource on the resource structure, but it failed because CQS is not available. The online change phase may have succeeded on one or more IMSs.  See 'INITIATE OLC error handling' for more details.
X'00000010'	X'0000400C'	The INITIATE OLC command failed because it is invalid for an XRF alternate.
X'00000010'	X'00004014'	The INITIATE OLC command failed because it is invalid for an RSR tracker.
X'00000010'	X'0000401C'	The INITIATE OLC command failed because it is invalid for an FDR region.
X'00000010'	X'00004018'	The INITIATE OLC command failed because the RM resource structure is not available. The online change phase may have succeeded on one or more IMSs.  See 'INITIATE OLC error handling' for more details.
X'00000010'	X'00004100'	The INITIATE OLC PHASE(PREPARE) command is rejected because the resource structure is full. RM failed trying to create the process resource on the resource structure.
X'00000010'	X'00004104'	The INITIATE OLC command failed because RM is not available. The online change phase may have succeeded on one or more IMSs. Either there is no RM address space, or RM is active but not registered to SCI because CQS or the resource structure is not available.  See 'INITIATE OLC error handling' for more details.
X'00000010'	X'00004108'	The INITIATE OLC command failed because SCI is not available. The online change phase may have succeeded on one or more IMSs.  See 'INITIATE OLC error handling' for more details.
X'00000010'	X'0000410C'	The INITIATE OLC command is rejected, because global online change is not enabled. Local online change is enabled. Use the /MODIFY command for local online change. If your IMSplex is made up of some IMSs that support global online change and some that support local online change, route the INITIATE OLC command to an IMS that is enabled for global online change.
X'00000010'	X'00004110'	The INITIATE OLC command is rejected, because the command does not apply to the online change state of the command master.  INITIATE OLC PHASE(COMMIT) is rejected if the command master is not in an online change prepare state.  INITIATE OLC PHASE(COMMIT) is rejected if routed to an IMS that already successfully completed commit phase 3.  INITIATE OLC PHASE(PREPARE) is rejected if the command master is already in an online change prepare state.  See 'INITIATE OLC error handling' for more details.
X'00000010'	X'00004111'	The INITIATE OLC command failed because the command master is not in the OLCSTAT data set.
X'00000010'	X'00004114'	The INITIATE OLC command failed because of an error accessing the OLCSTAT data set. The online change phase may have succeeded on one or more IMSs.  A DFS2843 message is sent to the OM output exit as unsolicited output.  See 'INITIATE OLC error handling' for more details.

Table 69. Return and Reason Codes for INITIATE OLC (continued)

Return Code	Reason Code	Meaning
X'00000010'	X'00004118'	The INITIATE OLC command failed because of an error allocating the OLCSTAT data set. The online change phase may have succeeded on one or more IMSs.  A DFS2848 message is sent to the OM output exit as unsolicited output.  See 'INITIATE OLC error handling' for more details.
X'00000010'	X'0000411C'	The INITIATE OLC command failed because of an error in the OLCSTAT data set contents. One or more of the values is invalid.  A DFS2844 message is sent to the OM output exit as unsolicited output.
X'00000010'	X'00004120'	The INITIATE OLC command is rejected because an online change command is already in progress on this IMS, which may be INITIATE OLC, TERMINATE OLC, or /DISPLAY MODIFY.
X'00000010'	X'00004124'	The INITIATE OLC PHASE(PREPARE) command is rejected because another process of the same type is already in progress. Wait until the other process has completed.  If QUERY MEMBER TYPE(IMS) shows no IMS in an online change state, the process resource is residual after an online change error. Clean up the process resource with a TERMINATE OLC command.
2 X'00000010'	X'0000412C'	The OLCSTAT data set contains the name of an IMS other than the IMS processing the online change. Use DFSUOLC0 to correct the data set.
X'00000014'	X'00005000'	The INITIATE OLC command is rejected because an IMODULE GETSTOR storage request failed.
X'00000014'	X'00005004'	The INITIATE OLC command failed because a DFSOCMD response buffer could not be obtained. The online change phase may have succeeded on one or more IMSs.  See 'INITIATE OLC error handling' for more details.
X'00000014'	X'0000500C'	The INITIATE OLC command failed because an AWE could not be obtained.
X'00000014'	X'00005100'	The INITIATE OLC command failed because of an RM error. The online change phase may have succeeded on one or more IMSs. The RM error may be due to a resource structure failure that causes RM to lose knowledge of an IMSplex-wide process.  See 'INITIATE OLC error handling' for more details.
X'00000014'	X'00005104'	The INITIATE OLC command failed because of a CQS error. The online change phase may have succeeded on one or more IMSs.  See 'INITIATE OLC error handling' for more details.
X'00000014'	X'00005108'	The INITIATE OLC command failed because of an SCI error. The online change phase may have succeeded on one or more IMSs.  See 'INITIATE OLC error handling' for more details.
X'00000014'	X'00005FFF'	The INITIATE OLC command failed because of an internal IMS error. The online change phase may have succeeded on one or more IMSs.  See 'INITIATE OLC error handling' for more details.

## INITIATE Completion Codes

The INITIATE command (with the OLC keyword) can result in errors that leave one or more of the IMSs in the IMSplex in various online change states. Table 70 on page 398

page 398 contains the possible completion codes that can be returned as a result of issuing an INITIATE OLC command. The table also includes a brief explanation of the code and provides the error text if applicable.

Table 70. Completion Codes for the INITIATE OLC Command

Completion Code	Meaning	ERROR TEXT (upper case)
0	The online change prepare phase or commit phase completed successfully.	
1	The online change type does not apply to this IMS. For example, an FMTLIB online change does not apply to a DBCTL IMS. This IMS keeps status indicating that it is participating in the online change. This IMS is included in the OLCSTAT data set IMS list after a successful commit phase 1.	
2	The online change phase was not attempted by this IMS for one of the following reasons: <ul style="list-style-type: none"> <li>The online change phase master encountered an error and did not direct this IMS to perform the online change phase.</li> <li>The online change phase master rejected the online change because one or more IMSs are down and the FRCNRML or FRCABND keyword was not specified on the INITIATE OLC PHASE(PREPARE) command. The online change phase master did not direct this IMS to perform the online change phase.</li> </ul>	
3	This IMS is already in the correct online change state. The INITIATE OLC command must have been retried after a previous INITIATE OLC command resulted in a mix of successes and failures. This IMS keeps status indicating that it is participating in the online change. This IMS is included in the OLCSTAT data set IMS list after a successful commit phase 1.	
4	The online change commit phase is incomplete on this IMS. One or more online change commit phases have been completed on this IMS. All online change commit phases were not sent to this IMS due to errors.	
57	The queue structure is unavailable. IMS is unable to check if there is a global queue count for transactions to be added, changed, or delted. Commit is not permitted to proceed. The structure may be unavailable for one of the following reasons: <ul style="list-style-type: none"> <li>CQS is unavailable</li> <li>The MSGQ structure failed and it hasn't been rebuilt yet</li> <li>CQS lost connectivity to the MSGQ structure</li> </ul>	THE QUEUE STRUCTURE IS UNAVAILABLE.

Table 70. Completion Codes for the INITIATE OLC Command (continued)

Completion Code	Meaning	ERROR TEXT (upper case)
3 58	<p>An IMS is not registered to RM. An OLCSTAT dataset contains an IMS that is not registered to RM. Initiate fails for that IMS.</p> <p>If the INITIATE OLC PHASE(PREPARE) command is issued to an IMS that is registered to RM and the OLCSTAT data set contains an IMS system that is not registered to RM, the command fails. The unregistered IMS command line response is cc=58. To initiate online change, you must remove the unregistered IMS from the OLCSTAT data set. To remove the IMS, you need to perform the following steps:</p> <ol style="list-style-type: none"> <li>1. Issue QRY MEMBER TYPE(IMS) SHOW(ATTRIB) or SHOW(ALL) to verify the IMS that received the cc=58 was initialized with RMENV=N.</li> <li>2. Unlock the OLCSTAT data set using the DFSUOLC0 utility. When online change is in progress it is necessary for the utility to delete the invalid member name.</li> <li>3. Delete the invalid IMSID from the OLCSTAT data set using the DFSUOLC0 utility.</li> <li>4. Issue TERM OLC to terminate the OLC with the valid IMSs.</li> <li>5. Re-issue the OLC.</li> </ol>	
60	IMODULE GETMAIN storage error.	
61	BCB storage error.	
62	HIOP storage error.	
63	WKAP storage error.	
70	Module load error.	<p>Module name (8 char), module type (8 char).</p> <p>The module type can be 'SECURITY'.</p>
71	Module locate error.	<p>Module name (8 char), module type (8 char).</p> <p>The module type can be 'SECURITY'.</p>
72	Randomizer load error.	FP area randomizer name (8 char).

Table 70. Completion Codes for the INITIATE OLC Command (continued)

Completion Code	Meaning	ERROR TEXT (upper case)
80	Data set error.	<p>Function (8 char), ddname (8 char), return code (8 bytes), and error detail (8 char).</p> <p>Function can be one of the following:</p> <ul style="list-style-type: none"> <li>• BLDL Data set BLDL error.</li> <li>• BUSY The data set is busy. The detail contains the jobname that has the data set.</li> <li>• DIR Data set directory error.</li> <li>• EMPTY Library is empty.</li> <li>• ENQUEUE Data set enqueue error.</li> <li>• EOF Data set end-of-file (EOF) error.</li> <li>• OPEN Data set open error. Error detail can be 'DLS REG'.</li> <li>• READ Data set read error.</li> <li>• WRITE Data set write error.</li> </ul> <p>DDname can be ACBLIBA, ACBLIBB, FMTLIBA, FMTLIBB, MATRIXA, MATRIXB, MODBLKSA, MODBLKSB, or MODSTAT.</p> <p>Return code is the data set service return code.</p> <p>Reason code is the data set service reason code.</p>
90	Internal error	Module name that detected internal error (8 char), unused (8 char), return code or function code (8 bytes), and error detail (8 char).
91	The online change prepare phase, commit phase, or abort phase timed out before this IMS responded to the online change prepare or commit phase. The online change prepare phase or commit phase may have succeeded on this IMS. Issue QUERY MEMBER TYPE(IMS) to determine the online change state of this IMS.	



Table 70. Completion Codes for the INITIATE OLC Command (continued)

Completion Code	Meaning	ERROR TEXT (upper case)
B0	Resource definition error.	<p>Resource type (8 char), resource name (8 char), error detail (16 char).</p> <p>The resource type can be AREA, DATABASE, DMB, PROGRAM, SECURITY, or TRAN.</p> <p>The resource name can be a resource name, ACBLIB or MODBLKS.</p> <p>The error detail can be one of the following:</p> <ul style="list-style-type: none"> <li>• CISIZE GT BSIZE An attempt to add the areaname to the DEDB failed. The area's CI size exceeds the Fast Path buffer size (BSIZ=) of the IMS online control region.</li> <li>• CPCTRAN CONFLICT The online change command attempted to add a transaction name that conflicts with a CPIC transaction name. Tranname specifies the transaction that already exists as a CPIC transaction.</li> <li>• DESC CONFLICT The online change command attempted to add a transaction name that conflicts with a descriptor name. Tranname specifies the transaction that already exists as a descriptor name.</li> <li>• DUPLICATE A duplicate area name was found in the named DEDB DBD defined in the IMS system. The area name, that was defined in the DD1 operand on one of the AREA statements in the DBDGEN, is defined in another DEDB DBDGEN or is defined within the DEDB DBDGEN.</li> <li>• INCOMPATIBLE The DMB in the inactive ACBLIB is not compatible with IMS. The level of the inactive library is not compatible with the current IMS release.</li> <li>• INCONSISTENT IMS detected an inconsistency between the indicated security module and the definition of the new blocks in the inactive MODBLKS data set. Either the security option was requested on the online change command or the prevailing security option is YES or FORCE. In the module name, nnnns is the specific table name, where s is the suffix.</li> <li>• LTERM CONFLICT The online change command attempted to add a transaction name that conflicts with a dynamic lterm name.</li> </ul>

Table 70. Completion Codes for the INITIATE OLC Command (continued)

Completion Code	Meaning	ERROR TEXT (upper case)
B0	Resource definition error (continued).	<p>Tranname specifies the transaction that already exists as a dynamically created LTERM. The error detail can be one of the following (continued):</p> <ul style="list-style-type: none"> <li>• <b>MSNAME CONFLICT</b> The online change command attempted to add a transaction name that conflicts with an MSNAME. Tranname specifies the transaction that already exists as an MSNAME.</li> <li>• <b>NOT DEFINED</b> Control block was not defined in the active library during the online prepare phase. This is an internal error that should not occur.</li> <li>• <b>NO BLOCKS</b> Control blocks were missing from the inactive library during the online prepare phase.</li> <li>• <b>NO FP INSTALLED</b> An attempt was made to add a data entry database (DEDB) to an IMS system that does not have Fast Path installed.</li> <li>• <b>NO OTHREADS</b> An attempt was made to add a data entry database (DEDB) to an IMS system that was not initialized with DEDBs. No output threads (OTHEADS) were initialized and no I/O will be possible to the added DEDB.</li> <li>• <b>PARTITION EXISTS</b> A database partition by that name already exists.</li> <li>• <b>RSRC CONFLICT</b> The online change command is attempting to add a transaction name that conflicts with another message destination resource in the Resource Manager (RM). The resource can be a LTERM, CPIC transaction, MSNAME, or descriptor. Tranname specifies the transaction that already exists as another resource type.</li> <li>• <b>UNSUPPORTED MSDB</b> The online change attempted to add an MSDB or change a DEDB to an MSDB, which is not permitted.</li> </ul>

Table 70. Completion Codes for the INITIATE OLC Command (continued)

Completion Code	Meaning	ERROR TEXT (upper case)
B1	<p>Resource state error.</p> <p>The online change phase failed on this IMS because of the state of the specified resource.</p> <p>Many of the resource states indicate work is in progress for resources to be changed or deleted by online change. Online change commit detected a resource in a state that results in commit failure. This is the first resource for which an error is detected. IMS is returned to an online change prepare state. Issue a /DISPLAY MODIFY command to display the work in progress for resources to be changed or deleted by online change. Resolve the work in progress, then attempt the INITIATE OLC PHASE(COMMIT) command again.</p>	<p>Resource type (8 char), resource name (8 char), error detail (16 char).</p> <p>The resource name is the name of the resource as it is defined to IMS, such as the database name, the program name, or the transaction name.</p> <p>The resource type can be DATABASE, DMB, FORMAT, PROGRAM, PSB, RTCODE, or TRAN.</p>
B1	Resource state error	<p>The error detail can be one of the following:</p> <ul style="list-style-type: none"> <li>• ACTIVE The routing code rcode is active.</li> <li>• AREA OPEN An area associated with the FP DEDB is open.</li> <li>• AREA STARTED An area associated with the FP DEDB is started.</li> <li>• CONVERSATION The transaction to be changed or deleted or the transaction referencing a program or database to be changed or deleted is in conversation.</li> <li>• DBD ACTIVE A /DBDUMP command is active for the database.</li> <li>• DBR ACTIVE A /DBRECOVERY command is active for the database.</li> <li>• DBR NEEDED A /DBRECOVERY command is needed for the database resource. Online change was initiated to either change or delete one or more HALDBs which have not been taken off-line with a /DBR command.</li> <li>• DEP REGS ACTIVE Dependent regions using the FP DEDB are active.</li> </ul>

Table 70. Completion Codes for the INITIATE OLC Command (continued)

Completion Code	Meaning	ERROR TEXT (upper case)
B1	Resource state error (continued)	<p>Error detail (continued):</p> <ul style="list-style-type: none"> <li data-bbox="899 296 1427 422">• DYNAMIC OR CPIC The transaction being added already exists and is not dynamic or CPIC. This is an internal error that should not occur.</li> <li data-bbox="899 428 1427 575">• INTERNAL ERROR The resource control block is not found in the active IMS, or the resource control block already exists. These are internal errors that should not occur.</li> <li data-bbox="899 581 1427 728">• IN USE The resource is in use. A transaction has queueing in progress (either terminal input program-to-program switch). A database is in use.</li> <li data-bbox="899 756 1427 861">• PSB SCHEDULED A program referencing a database to be changed or deleted is scheduled.</li> <li data-bbox="899 867 1427 972">• QUEUEING Messages are queued to the transaction or program.</li> <li data-bbox="899 978 1427 1125">• SCHEDULED The named resource (a transaction or program to be changed or deleted, or a program referencing a database to be changed or deleted) is scheduled.</li> <li data-bbox="899 1131 1427 1228">• SUSPENDED The transaction to be changed or deleted is on the suspend queue.</li> </ul>

Table 70. Completion Codes for the INITIATE OLC Command (continued)

Completion Code	Meaning	ERROR TEXT (upper case)
B2	IMS state error.	<p>IMS state error (32 char). The IMS state can be one of the following:</p> <ul style="list-style-type: none"> <li>• <b>ABENDED</b> This IMS abended since the last successful online change. Online change is not permitted if any IMS abended since the last online change, unless the FRCABND option is specified on prepare. If the online change phase was rejected, issue TERMINATE OLC to abort the online change, correct the problem, and try the online change again. If an online change specified with the FRCABND option succeeds, this IMS may have to coldstart.</li> <li>• <b>CHECKPOINT IN PROGRESS</b> This IMS has checkpoint in progress.</li> <li>• <b>NOT-REACHABLE</b> The online change phase is rejected because this IMS is NOT-REACHABLE. The SCI on the OS image where this IMS is active is down. Restart the SCI and re-issue the INITIATE OLC or TERMINATE OLC command.</li> <li>• <b>OLC ALREADY COMMITTED</b> The online change phase is rejected because online change is already committed. All IMSs have completed commit phase 1 and the OLCSTAT data set was updated.</li> <li>• <b>OLC NOT IN PROGRESS</b> The online change phase is rejected because this IMS is not in an online change state.</li> </ul>

Table 70. Completion Codes for the INITIATE OLC Command (continued)

Completion Code	Meaning	ERROR TEXT (upper case)
B2	IMS state error (continued).	<p>IMS state error (32 char). The IMS state can be one of the following:</p> <ul style="list-style-type: none"> <li>• <b>OLC PHASE IN PROGRESS</b> The online change phase is rejected because this IMS has an online change phase already in progress.</li> <li>• <b>ORS IN PROGRESS</b> The Online change command is rejected because the online recovery service is already in progress.</li> <li>• <b>RESOLVE DB INDOUBTS</b> This IMS has DB indoubts. You must resolve the DB indoubts either by reconnecting the coordinator controller and IMS or by using an operator command.</li> <li>• <b>RESTART IN PROGRESS</b> This IMS has restart in progress.</li> <li>• <b>RESTART NOT COMPLETE</b> This IMS initialized before the online change was initiated, but has not completed restart. The online prepare or abort phase is rejected as long as this IMS is in this state. Cancel this IMS, then abort the online change before attempting the online change prepare phase again.</li> <li>• <b>SHUTDOWN</b> This IMS shut down normally since the last successful online change. Online change is not permitted if any IMS shut down normally since the last online change, unless the FRCNRML option is specified on prepare. If the online change phase was rejected, issue TERMINATE OLC to abort the online change, correct the problem, and try the online change again. If an online change specified with the FRCNRML option succeeds, this IMS may have to cold start.</li> </ul>

### INITIATE OLC Error Handling

The INITIATE OLC command can result in errors that leave one or more of the IMSs in the IMSplex in various online change states. Issue the QUERY MEMBER command and the QUERY OLC command to help you determine whether to terminate the online change or try the INITIATE OLC command again.

Before attempting online change, issue the QUERY OLC LIBRARY(OLCSTAT) SHOW(MODID) command to get the current modify id. If the INITIATE OLC command fails, issue the QUERY OLC LIBRARY(OLCSTAT) SHOW(MODID) command again, to see if the modify id is the same. If the modify id increased by 1, the online change is considered to be successfully completed.

If the INITIATE OLC command fails, issue the QUERY MEMBER TYPE(IMS) SHOW(STATUS) command to display the online change state of all the IMSs in the IMSplex. Evaluate the QUERY MEMBER TYPE(IMS) SHOW(STATUS) output to help you to determine what to do:

- None of the IMSs in an online change state

If the INITIATE OLC PHASE(PREPARE) command failed on all of the IMSs in the IMSplex, none of them are in an online change state. This QUERY OLC LIBRARY(OLCSTAT) SHOW(MODID) command output shows the same modify id as the QUERY OLC LIBRARY(OLCSTAT) SHOW(MODID) command issued before the INITIATE OLC PHASE(PREPARE) command. If you want to attempt online change again, issue another INITIATE OLC PHASE(PREPARE) command.

If an INITIATE OLC PHASE(COMMIT) command successfully completes commit phase 3 on all the IMSs but fails due to an error such as a command timeout, then no IMS will remain in an online change state. The QUERY MEMBER TYPE(IMS) SHOW(STATUS) command output shows no IMS in an online change state, so no further action is needed. The online change successfully completed.

If an INITIATE OLC PHASE(PREPARE) command failed for all the IMSs in the IMSplex, but RM still has information about the process, then the online change needs to be terminated. This is a very rare case where the command master initiates the online change process with RM, an error occurs, or the online change prepare phase fails on all the IMSs, and the command master is unable to terminate the online change process with RM. RM issues a CSLR2200 message but no CSLR2201 message. The QUERY MEMBER TYPE(IMS) SHOW(STATUS) command output shows no IMS in an online change state. If you try to initiate an online change again with another INITIATE OLC PHASE(PREPARE) command, it is rejected. You must terminate the online change with a TERMINATE OLC command.

- Some of the IMSs in a prepare complete state

If the INITIATE OLC PHASE(PREPARE) command fails and some of the IMSs show a status of online change prepare complete (OLCPREPC), then the prepare phase succeeded on some of the IMSs. You must terminate the online change with the TERMINATE OLC command. The IMSs that have a status of OLCPREPC remain in an online change prepare complete state until you abort the online change.

- All IMSs in a prepare complete state

If the INITIATE OLC PHASE(PREPARE) or INITIATE OLC PHASE(COMMIT) command fails and all of the IMSs are in a prepare complete state (OLCPREPC) and the master shows a global status of online change prepare complete (OLCPREPC), then the prepare succeeded. You can issue INITIATE OLC PHASE(COMMIT) if you want to proceed with the online change. You can issue TERMINATE OLC if you want to abort the online change.

If the INITIATE OLC PHASE(PREPARE) command flavor did not apply to any IMS in the IMSplex, the command is rejected, but all of the IMSs show a status of OLCPREPC. For example, if the IMSplex consists of only DBCTL subsystems, then the INITIATE OLC PHASE(PREPARE) TYPE(FMTLIB) command does not apply to any of the IMSs and is rejected. However, all of the IMSs will show a status of OLCPREPC, indicating they are participating in the online change. If this situation occurs, you must terminate the online change. INITIATE OLC PHASE(COMMIT) will be rejected, since the online change applies to no IMS in the IMSplex.

- Some IMSs in prepare complete and commit phase 1 complete state

If an INITIATE OLC PHASE(COMMIT) command fails during commit phase 1, some of the IMSs may be in a prepare complete state (OLCPREPC) and some of the IMSs may be in a commit phase 1 complete state (OLCCMT1C). The commit

phase failed before the master updated the OLCSTAT data set, so the online change is not committed. You may correct the problem and try the commit again with the INITIATE OLC PHASE(COMMIT) command. Or, you may decide to abort the online change with the TERMINATE OLC command.

The IMSs that are in an online change state remain in an online change state until you abort the online change or commit the online change.

- All IMSs in a commit phase 1 complete state

If an INITIATE OLC PHASE(COMMIT) command fails after commit phase 1 is completed, all of the IMSs are in a commit phase 1 complete state (OLCCMT1C).

If the error occurs before the master updates the OLCSTAT data set, then the online change is not yet successful. You may abort the online change with the TERMINATE OLC command or attempt the commit again with another INITIATE OLC PHASE(COMMIT) command.

If the error occurs after the master updates the OLCSTAT data set, then the online change is successful. You may not abort the online change. You must attempt the commit again with another INITIATE OLC PHASE(COMMIT) command to finish up the online change. The INITIATE OLC PHASE(COMMIT) command finishes the online change by completing commit phase 2.

The IMSs that are in an online change state remain in an online change state until you abort the online change or commit the online change.

You can determine if the OLCSTAT data set has been updated by checking the modify id. Issue the QUERY OLC LIBRARY(OLCSTAT) SHOW(MODID) command. Check if the modify id returned is different from the modify id returned by the INITIATE OLC PHASE(PREPARE) command, or the modify id returned by a QUERY OLC LIBRARY(OLCSTAT) SHOW(MODID) command issued before the INITIATE OLC PHASE(COMMIT) command.

- Some IMSs in commit phase 1 complete state and some in commit phase 2 complete state

If an INITIATE OLC PHASE(COMMIT) command fails during commit phase 2, some of the IMSs may be in a commit phase 1 complete state (OLCCMT1C) and some may have completed commit phase 2 and be in a commit phase2 complete state (OLCCMT2C). The INITIATE OLC PHASE(COMMIT) command failed after commit phase 1 completed on all of the IMSs and the master updated the OLCSTAT data set. Once the OLCSTAT data set is updated, the online change is considered to be successful and cannot be aborted. You must finish the online change commit phase 2 by issuing the INITIATE OLC PHASE(COMMIT) command again. The INITIATE OLC PHASE(COMMIT) command finishes the online change by completing commit phase 2.

The IMSs that are in an online change state remain in an online change state until you finish the online change with an INITIATE OLC PHASE(COMMIT) command.

- All IMSs in commit phase 2 complete state

If an INITIATE OLC PHASE(COMMIT) command fails during commit phase 2 or commit phase 3, all of the IMSs may end up in a commit phase 2 complete state (OLCCMT2C). The INITIATE OLC PHASE(COMMIT) command failed after commit phase 1 completed on all of the IMSs and the master updated the OLCSTAT data set. Once the OLCSTAT data set is updated, the online change is considered to be successful and can not be aborted. you must finish the online change commit phase 2 and commit phase 3 by issuing the INITIATE OLC PHASE(COMMIT) command again.



The IMSs that are in an online change state remain in an online change state until you finish the online change with an INITIATE OLC PHASE(COMMIT) command.

- Some IMSs in commit phase 2 complete state and some not in online change state

If an INITIATE OLC PHASE(COMMIT) command fails during commit phase 3, some of the IMSs may be in a commit phase 2 complete state (OLCCMT2C) and some may have completed commit phase 3 and no longer be in an online change state. The INITIATE OLC PHASE(COMMIT) command failed after commit phase 1 completed on all of the IMSs and master updated the OLCSTAT data set. Once the OLCSTAT data set is updated, the online change is considered to be successful and can not be aborted. You must finish the online change commit phase 3 by issuing the INITIATE OLC PHASE(COMMIT) command again, routing it to an IMS that is still in a commit phase 2 complete state. The INITIATE OLC PHASE(COMMIT) command finishes the online change by completing commit phase 3.

The IMSs that are in an online change state remain in an online change state until you finish the online change with an INITIATE OLC PHASE(COMMIT) command.

Errors unique to the processing of this command are returned as a completion code. A completion code is returned for an IMS participating in the online change phase. See Table 70 on page 398 for a listing of the completion codes that may be returned on an INITIATE OLC command.

## Examples for INITIATE OLC Command

The following are examples of the INITIATE OLC command.

### Example 1 for INITIATE OLC Command

TSO SPOC input:

```
INITIATE OLC PHASE(PREPARE) TYPE(MODBLKS,ACBLIB)
```

TSO SPOC output:

MbrName	Member	CC	ACBLIB	FMTLIB	MODBLKS	ModId
IMS3	IMS2	0				
IMS3	IMS3	0	B	A	B	1
IMS3	SYS3	0				

OM API input:

```
CMD (INITIATE OLC PHASE(PREPARE) TYPE(MODBLKS,ACBLIB))
```

OM API output:

```
<imsout>
<ctl>
<omname>OM10M </omname>
<omvsn>1.1.0</omvsn>
<xmlvsn>1 </xmlvsn>
<statime>2003.163 15:40:53.336327</statime>
<stotime>2003.163 15:41:08.282146</stotime>
<staseq>B7C4AC11FED070C6</staseq>
<stoseq>B7C4AC203FB220C1</stoseq>
<rqsttkn1>USRT011 10084053</rqsttkn1>
<rc>0200000C</rc>
<rsn>00003000</rsn>
</ctl>
<cmderr>
<mbr name="IMS2 ">
```

```

<typ>IMS      </typ>
<styp>DBDC   </styp>
<rc>02000004</rc>
<rsn>00001008</rsn>
</mbr>
<mbr name="SYS3  ">
<typ>IMS      </typ>
<styp>DBDC   </styp>
<rc>02000004</rc>
<rsn>00001008</rsn>
</mbr>
</cmderr>
<cmd>
<master>IMS3   </master>
<userid>USRT011 </userid>
<verb>INIT</verb>
<kwd>OLC      </kwd>
<input>INITIATE OLC PHASE(PREPARE) TYPE(MODBLKS,ACBLIB)</input>
</cmd>
<cmdrsphdr>
<hdr s1bl="MBR"  l1bl="MbrName" scope="LCL" sort="n" key="0" scroll="yes" len="8"
  dtype="CHAR" align="left" />
<hdr s1bl="MSMBR" l1bl="Member"  scope="LCL" sort="a" key="1" scroll="no" len="8"
  dtype="CHAR" align="left" />
<hdr s1bl="CC"   l1bl="CC"       scope="LCL" sort="n" key="0" scroll="yes" len="4"
  dtype="INT"  align="right" />
<hdr s1bl="ACBL" l1bl="ACBLIB"   scope="GBL" sort="n" key="0" scroll="yes" len="1"
  dtype="CHAR" align="right" />
<hdr s1bl="FMTL" l1bl="FMTLIB"   scope="GBL" sort="n" key="0" scroll="yes" len="1"
  dtype="CHAR" align="right" />
<hdr s1bl="MODB" l1bl="MODBLKS"  scope="GBL" sort="n" key="0" scroll="yes" len="1"
  dtype="CHAR" align="right"/>
<hdr s1bl="MODI" l1bl="ModId"    scope="GBL" sort="n" key="0" scroll="yes" len="8"
  dtype="CHAR" align="right"/>
</cmdrsphdr>
<cmdrspdata>
<rsp>MBR(IMS3   ) IMSMBR(SYS3   ) CC( 0) </rsp>
<rsp>MBR(IMS3   ) IMSMBR(IMS2   ) CC( 0) </rsp>
<rsp>MBR(IMS3   ) IMSMBR(IMS3   ) CC( 0) ACBL(B) FMTL(A) MODB(B) MODI( 1)
</rsp>
</cmdrspdata>
</imsout>

```

Explanation: The IMSplex consists of three IMSs -- SYS3, IMS2, and IMS3. All three of the IMSs complete the online change prepare phase successfully for the MODBLKS library. IMS3 is the master of the prepare phase. The current online change libraries are ACBLIBB, FMTLIBA, and MODBLKSB. The current modify id is 1.

## Example 2 for INITIATE OLC Command

TSO SPOC input:

```
INITIATE OLC PHASE(COMMIT)
```

TSO SPOC output:

MbrName	Member	CC	ACBLIB	FMTLIB	MODBLKS	ModId
IMS3	IMS2	0				
IMS3	IMS3	0	B	A	A	2
IMS3	SYS3	0				

OM API input:

```
CMD (INITIATE OLC PHASE(COMMIT))
```

OM API output:

```

<imsout>
<ctl>
<omname>OM10M </omname>
<omvsn>1.1.0</omvsn>
<xmlvsn>1 </xmlvsn>
<statime>2002.163 16:26:14.660563</statime>
<stotime>2002.16316:26:22.293891</stotime>
<staseq>B7C4B635409D30C6</staseq>
<stoseq>B7C4B63C88383347</stoseq>
<rqsttkn1>USRT011 10092614</rqsttkn1>
<rc>0200000C</rc>
<rsn>00003000</rsn>
</ctl>
<cmderr>
<mbr name="IMS2 ">
<typ>IMS </typ>
<styp>DBDC </styp>
<rc>02000004</rc>
<rsn>00001008</rsn>
</mbr>
<mbr name="SYS3 ">
<typ>IMS </typ>
<styp>DBDC </styp>
<rc>02000004</rc>
<rsn>00001008</rsn>
</mbr>
</cmderr>
<cmd>
<master>IMS3 </master>
<userid>USRT011 </userid>
<verb>INIT</verb>
<kwd>OLC </kwd>
<input>INITIATE OLC PHASE(COMMIT) </input>
</cmd>
<cmdrsphdr>
<hdr s1b1="MBR" l1b1="MbrName" scope="LCL" sort="n" key="0" scroll="yes" len="8"
dtype="CHAR" align="left" />
<hdr s1b1="MSMBR" l1b1="Member" scope="LCL" sort="a" key="1" scroll="no" len="8"
dtype="CHAR" align="left" />
<hdr s1b1="CC" l1b1="CC" scope="LCL" sort="n" key="0" scroll="yes" len="4"
dtype="INT" align="right" />
<hdr s1b1="ACBL" l1b1="ACBLIB" scope="GBL" sort="n" key="0" scroll="yes" len="1"
dtype="CHAR" align="right" />
<hdr s1b1="FMTL" l1b1="FMTLIB" scope="GBL" sort="n" key="0" scroll="yes" len="1"
dtype="CHAR" align="right" />
<hdr s1b1="MODB" l1b1="MODBLKS" scope="GBL" sort="n" key="0" scroll="yes" len="1"
dtype="CHAR" align="right" />
<hdr s1b1="MODI" l1b1="ModId" scope="GBL" sort="n" key="0" scroll="yes" len="8"
dtype="CHAR" align="right" />
</cmdrsphdr>
<cmdrspdata>
<rsp>MBR(IMS3 ) MSMBR(SYS3 ) CC( 0) </rsp>
<rsp>MBR(IMS3 ) MSMBR(IMS2 ) CC( 0) </rsp>
<rsp>MBR(IMS3 ) MSMBR(IMS3 ) CC( 0) ACBL(B) FMTL(A) MODB(A) MODI( 2)
</rsp>
</cmdrspdata>
</imsout>

```

Explanation: A global online change commit is initiated and completes successfully.



---

## Chapter 32. /LOG

---

### Format

▶▶—/LOG—*text*————▶▶

---

### Environments

Table 71 lists the environments (DB/DC, DBCTL, and DCCTL) from which the command can be issued.

*Table 71. Valid Environments for the /LOG Command*

Command	DB/DC	DBCTL	DCCTL
/LOG	X	X	X

---

### Usage

/LOG writes a single-segment message to the IMS system log. Any text can be logged, including transaction codes or command streams. An X'02' log record is produced and contains the text. This command applies only to the currently entered message segment and does not establish a continuing operational mode.

*text* is the alphanumeric character message to be logged.

---

### Example for /LOG Command

Entry ET:

```
/LOG TODAY IS MONDAY
```

Response ET:

```
DFS058I LOG COMMAND COMPLETED
```

Explanation: An X'02' log record containing the text

```
TODAY IS MONDAY
```

is written to the IMS system log.



## Chapter 33. /LOOPTEST

### Format

```

  >> /LOOPTEST LINE Line# PTERM pterm# <<<
      /LOO

```

### Environments and Keywords

Table 72 lists the environments (DB/DC, DBCTL, and DCCTL) from which the command and keywords can be issued.

Table 72. Valid Environments for the /LOOPTEST Command and Keywords

Command / Keywords	DB/DC	DBCTL	DCCTL
/LOOPTEST	X		X
LINE	X		X
PTERM	X		X

### Usage

/LOOPTEST is a multisegment command that creates an output write loop that tests for output errors. It causes a single-segment message to be repeatedly transmitted to the terminal being tested.

Multisegment input is combined into a single segment for output transmission. For the terminal in looptest mode to receive the complete message, the cumulative output segment must not exceed the terminal's output size restrictions.

/LOOPTEST requires an EOM indication to denote end-of-message; an EOS indication must be included for all segments that precede the last segment. See "Multisegment Command Input" on page 8 for more detail on using EOS and EOM.

/LOOPTEST causes all I/O error detection and notification procedures within IMS to be bypassed. Depending on the types of errors involved, some write loops might result in high processor utilization.

The /END command terminates looptest mode.

#### LINE, PTERM

Specifies the communication line or physical terminal to be placed into looptest mode. If the terminal in looptest mode is attached to a multipoint line, the entire line must be stopped and idle before the /LOOPTEST command is allowed.

/LOOPTEST is not allowed on VTAM-attached terminals, switched lines, or lines for System/3 and System/7.

If the device specified is not powered on and ready, intervention-required messages will be sent to the master terminal.

The /DISPLAY LINE PTERM command identifies a terminal in looptest mode.

### Example for /LOOPTEST Command

Entry ET:

```
/LOOPTEST LINE 5 PTERM 1 (EOS)  
DATA TEST (EOS)  
12345 (EOM)
```

**Response ET:**

```
DFS058I LOOPTEST COMMAND COMPLETED
```

**Response RT:**

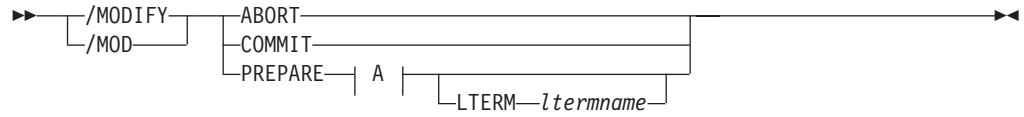
```
DATA TEST 12345  
DATA TEST 12345  
and so forth.
```

Explanation: DATA TEST 12345 is repetitively sent to PTERM 1 on LINE 5.

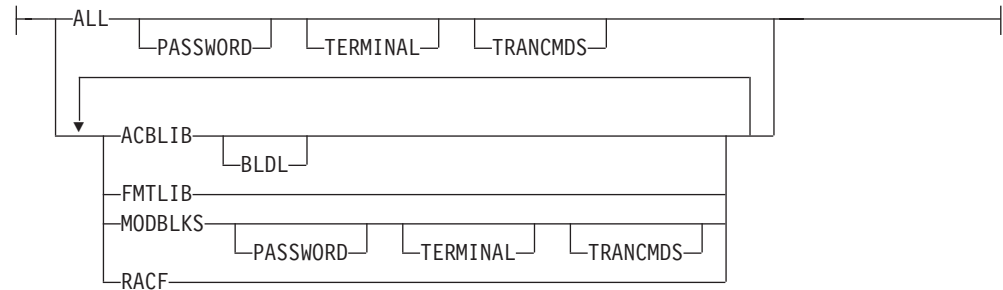


# Chapter 34. /MODIFY

## Format



**A:**



## Environments and Keywords

Table 73 lists the environments (DB/DC, DBCTL, and DCCTL) from which the command and keywords can be issued.

Table 73. Valid Environments for the /MODIFY Command and Keywords

Command / Keywords	DB/DC	DBCTL	DCCTL
<b>/MODIFY</b>	X	X	X
ABORT	X	X	X
COMMIT	X	X	X
LTERM	X		X
PASSWORD	X	X	X
PREPARE	X	X	X
TERMINAL	X		X
TRANCMS	X		X

## Usage

/MODIFY controls the modification of IMS resources online. It switches the online environment from the active ACBLIB, FORMAT, MATRIX, and MODBLKS libraries to the inactive libraries containing the new or changed resource descriptions. See *IMS Version 9: Administration Guide: System* and *IMS Version 9: Installation Volume 1: Installation Verification* on how to create the inactive libraries before using this command. See *IMS Version 9: Utilities Reference: System* for information on using the Online Change utility. The descriptions of the resources and parameters for the /MODIFY command are shown in Table 74 on page 418

Table 74. Resources and Parameters Available to the /MODIFY Command

Parameter	Library	Description
ACBLIB	IMS.ACBLIBx <sup>1</sup>	Contains database and program descriptors such as DMBs and PSBs.
FMTLIB	IMS.FORMATx <sup>1</sup>	Contains MFS maps produced by the MFS language utility and service utility. The FMTLIB parameter is not valid with DBCTL.
MODBLKS	IMS.MODBLKSx, <sup>1</sup> IMS.MATRIXx	Contains a subset of control blocks produced by IMS system definition and security definitions.
RACF		RACF in-storage profiles. The RACF parameter is not valid with DBCTL.

**Note:**

1. x = A or B
2. Use the SETROPTS RACLIST(CIMS) REFRESH command to refresh RACF updates.

The correct sequence for /MODIFY commands is PREPARE followed by COMMIT. If the online change is not to be completed, the /MODIFY ABORT command is used. The /MODIFY PREPARE command specifies which resources are to be changed or deleted. Depending on the parameters entered, the system will initiate quiescing of appropriate resources. COMMIT initiates the changes entered in a preceding PREPARE. If a previously entered /MODIFY PREPARE command is to be canceled, ABORT must be entered.

An IMS automated operator program can issue the /MODIFY PREPARE and /MODIFY ABORT commands, but it cannot issue the /MODIFY COMMIT command. Thus, you can automatically prepare or abort online change.

If this command is used to delete a database, IMS closes the database and makes it unavailable to programs. Also, if the database is authorized for DBRC, /MODIFY unauthorizes it.

Fast Path DEDBs are supported by the /MODIFY command, but Fast Path MSDBs are not supported.

In an IMSplex, /MODIFY is not supported if coordinated online change is enabled.

**ABORT**

Resets the status that was set by the /MODIFY PREPARE command after a /MODIFY PREPARE, or can be used if the /MODIFY COMMIT was not successful and the operator chooses not to attempt the online change at that time.

**COMMIT**

Brings all the newly defined resources online, updates the changed resources, and invalidates the deleted resources.

If ALL was specified on the /MODIFY PREPARE command, the ACBLIB, FMTLIB, and MODBLKS changes must be successful or the /MODIFY COMMIT will be rejected. When COMMIT is successful, the modifications will persist across all IMS restarts. If FMTLIB is entered, most new and in-progress requests will be queued for processing after the /MODIFY COMMIT command is completed.

If MODBLKS or ACBLIB is specified, work in progress in the system for changed or deleted ACBLIB and MODBLKS resources must be completed, or the /MODIFY command is rejected.

/DISPLAY MODIFY is used to display the work that was in progress prior to the entering of /MODIFY COMMIT.

IMS will prevent messages entered from terminals from being queued to transactions, but program-to-program switches from applications can still occur. Therefore, a /DISPLAY MODIFY command can indicate that no work is pending for the resources to be modified or deleted, but the /MODIFY COMMIT might be rejected. If this occurs, the new work must be allowed to complete and then the /MODIFY COMMIT command must be reentered.

/MODIFY COMMIT is rejected if:

- A /MODIFY PREPARE command was not previously entered.
- Transactions to be deleted have messages queued.
- Transactions to be changed by the following system definition keywords have messages queued:
  - MSGTYPE
  - INQUIRY
  - FPATH
  - EDIT
  - SPA
- Transactions to be changed by keywords not shown in the previous bullet have messages queued, and the transactions have not been the object of a /STOP or /PSTOP command.
- Transactions with access to programs or databases to be changed or deleted are prevented from updating, and the transactions have not been the object of a /STOP or /PSTOP command. When a transaction shows a status of USTOP during a /DISPLAY TRANSACTION, the /STOP command might need to be entered, because the /PSTOP command might not allow the /MODIFY command to complete the transaction.
- Programs or databases to be changed or deleted are scheduled.
- Any program (PSB) that is currently scheduled has a program, database, or transaction change or deletion. This includes Wait for Input (WFI) and Fast Path transactions. All WFI and Fast Path regions that reference changed or deleted routing codes, programs, or databases must be stopped before entering the /MODIFY COMMIT.
- An I/O error occurs while reading the inactive MFS FORMAT library directory or the resident index (\$\$IMSDIR) member.
- A /START DATABASE command is in progress for any database that is changed or deleted.
- A /DBDUMP or /DBRECOVERY command is in progress for any database that is changed or deleted.

Operator action might be required to prevent the preceding conditions. For example, if a program or database is scheduled, the operator should either wait until the program or database is finished before the /MODIFY COMMIT command is entered, or the operator should issue /STOP or /PSTOP for the associated transaction.

If IMS is in an IMSplex and Resource Manager (RM) is using a resource structure, the transactions being added by the online change are registered to RM if they are not already registered to RM. If any error occurs during the CSLRMUPD request to register the transactions, the /MODIFY or INITIATE OLC command will fail and IMS will be in a COMMIT2F state.

If a /MODIFY COMMIT command results in the COMMIT2F state, the command is rejected with a DFS178 message. A DFS3308 message is sent to the system console with the CSLRMUPD return/reason code. The IMS remains in a COMMIT2F state and the /MODIFY cannot be committed or aborted. The IMS must be cancelled and warm started as the online change is not complete.

### PREPARE

/MODIFY PREPARE is not recovered across an emergency restart and must be reentered after restart if the /MODIFY COMMIT did not complete prior to an IMS failure.

The parameters in Table 75 are valid with /MODIFY PREPARE. The environments in which the parameters are valid are also shown in the following table.

Table 75. /MODIFY PREPARE Parameters Environments

Parameter	DB/DC	DBCTL	DCCTL
ACBLIB	X	X	X
ALL	X	X <sup>1</sup>	X
BLDL	X	X	X
FMTLIB	X		X
LTERM	X		X
MODBLKS	X	X	X
PASSWORD	X	X	X
TERMINAL	X		X
TRANCMD5	X		X
RACF	X		X

#### Note:

1. Only applies to ACBLIB, MODBLKS, and BLDL.

### ACBLIB

Quiesces the transactions to be changed or deleted and transactions that access databases or programs to be changed or deleted. ACBLIB members that are not found are displayed as CHANGED because a DDIR or PDIR exists in MODBLKS. Additions or deletions to ACBLIB require the MODBLKS parameter.

### ALL

Indicates that /MODIFY PREPARE is to be performed for ACBLIB, FMTLIB, RACF, MODBLKS and BLDL.

### BLDL

Causes information message DFS3498I to be issued for each PSB or DMB not found in ACBLIB. This message does not affect the success of the command.

### FMTLIB

Indicates that there will be no restrictions on the use of MFS format blocks until the /MODIFY COMMIT command is entered.

### LTERM ltermname

Specifies a logical terminal to receive lists of added, changed, or deleted resources.

### MODBLKS

Causes IMS to prepare to bring the changes or deletions defined by the

new system definition to IMS. Using MODBLKS also quiesces the transactions to be changed or deleted and transactions that access databases or programs to be changed or deleted.

### PASSWORD

Is an optional keyword that can be specified in any combination with ALL or MODBLKS to add, but not delete, specific types of security definitions if they had not existed before. If ALL or MODBLKS is specified, the application of new security definitions will always be attempted based upon the prevailing security options in effect from the last IMS initialization.

***Related Reading:*** See *IMS Version 9: Administration Guide: System* for more information on security definition.

### RACF

Use of the RACF data space invalidates the IMS online change support for RACF with the /MODIFY command. The IMS online change support is still valid, though, when the RACF data space is not being used.

The message DFS3432 RACF PARAMETER INVALID IF RACF DATA SPACE IS USED is issued if the RACF parameter is used on the /MODIFY PREPARE command when the RACF data space is being used. You can use the RACF command SETROPTS RACLIST (classname) REFRESH to refresh the RACF resource profiles in the RACF data space without requiring the IMS applications to suspend work.

### TERMINAL

Is an optional keyword that can be specified in any combination with ALL or MODBLKS to add, but not delete, specific types of security definitions if they had not existed before. If ALL or MODBLKS is specified, the application of new security definitions will always be attempted based upon the prevailing security options in effect from the last IMS initialization.

***Related Reading:*** See *IMS Version 9: Administration Guide: System* for more information on security definition.

### TRANCMDS

Is an optional keyword that can be specified in any combination with ALL or MODBLKS to add, but not delete, specific types of security definitions if they had not existed before. If ALL or MODBLKS is specified, the application of new security definitions will always be attempted based upon the prevailing security options in effect from the last IMS initialization.

***Related Reading:*** See *IMS Version 9: Administration Guide: System* for more information on security definition.

---

## Examples

### Example 1 for /MODIFY Command

This is an example of a successful PREPARE, COMMIT sequence. First, the command /MODIFY PREPARE ALL is issued, as shown below:

Entry ET:

```
/MODIFY PREPARE ALL
```

Response ET:

```
DFS3499I ACTIVE DDNAMES MODBLKSA IMSACBA FORMATA MODSTAT ID: 103
```

Explanation: The modifications are brought online to IMS during a subsequent successful /MODIFY COMMIT command. The ddnames of the active data sets and the current MODSTAT identifier are shown. This message is the normal response.

## Example 2 for /MODIFY Command

This is an example of a prepare/commit/abort sequence.

Entry ET:

```
/MODIFY COMMIT
```

Response ET:

```
DFS3499I ACTIVE DDNAMES: MODBLKSB IMSACBB FORMATB MODSTAT ID: 104
```

Explanation: Successful COMMIT. ID is incremented and DDNAMES changed. This message is the normal response.

After the response is received from the second part of the successful PREPARE, COMMIT sequence, the command shown in the example below is issued to conclude the PREPARE, COMMIT sequence:

Entry ET:

```
/MODIFY PREPARE ACBLIB MODBLKS TERMINAL
```

Response ET:

```
DFS3499I ACTIVE DDNAMES MODBLKSB IMSACBB FORMATB MODSTAT ID: 104
```

Explanation: The modifications will be brought online to IMS during a subsequent successful /MODIFY COMMIT command. This message is the normal response.

Entry ET:

```
/MODIFY COMMIT
```

Response ET:

```
DFS3452I WORK IN PROGRESS FOR RESOURCES TO BE CHANGED/DELETED
```

Explanation: The /MODIFY COMMIT was rejected because changed/deleted resources have not been quiesced.

Entry ET:

```
/MODIFY ABORT
```

Response ET:

```
DFS058I MODIFY ABORT COMMAND COMPLETED
```

Explanation: Status set by the /MODIFY PREPARE command is reset and the online change does not occur.

## Example 3 for /MODIFY Command

This example shows the use of the LTERM keyword when adding, changing, or deleting Fast Path DEDBs or areas.

Entry ET:

```
/MODIFY PREPARE ALL LTERM WTOR
```

## Response ET:

```

DFS3499I ACTIVE DDNAMES: MODBLKSA IMSACBA  FORMATA  MODSTAT ID:    1
DFS3430I THE FOLLOWING MODIFICATIONS WILL OCCUR DURING /MODIFY ...
COMMIT:
DFS3430I DATABASE CALENDER      ADDED
DFS3430I DATABASE NEWDD01      ADDED
DFS3430I DMB      CALENDER      ADDED
DFS3430I DMB      NEWDD01      ADDED
DFS3430I DMB      DEDBJN23     CHANGED
DFS3430I  AREA   DB23AR4       DELETED
DFS3430I  AREA   DB23AR5       DELETED
DFS3430I  AREA   DB23AR6       DELETED
DFS3430I  AREA   DB23AR7       DELETED
DFS3430I DMB      DEDBJN24     CHANGED
DFS3430I  AREA   DB24ANU1      ADDED
DFS3430I  AREA   DB24ANU2      ADDED
DFS3430I  AREA   DB24ANU3      ADDED
DFS3430I PSB      BMP255       CHANGED
DFS3430I PSB      DDLTFPE4     CHANGED
DFS3430I PSB      DDLTJN21     CHANGED
DFS3430I PSB      DDLTRN20     CHANGED
DFS3430I TRAN     TRAN255      CHANGED
DFS3430I TRAN     TXCDRN20     CHANGED
DFS3430I TRAN     TXCD255      CHANGED
DFS3430I TRAN     TXCD255W     CHANGED
DFS3430I SECURITY PASSWORD     NONE
DFS3430I SECURITY TERMINAL     NONE
DFS3430I SECURITY TRANCMD5     NONE
DFS3430I SECURITY SIGNON       NONE
DFS3430I SECURITY AGT          NONE
DFS3430I END OF MODIFICATIONS

```

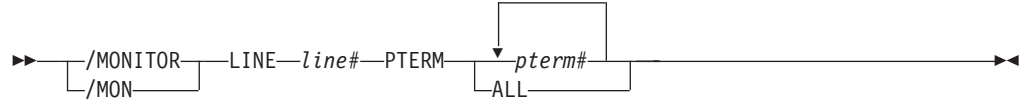
Explanation: The modifications will be brought online to IMS during a subsequent successful /MODIFY COMMIT command. These messages are the normal response.





## Chapter 35. /MONITOR

### Format



### Environments and Keywords

Table 76 lists the environments (DB/DC, DBCTL, and DCCTL) from which the command and keywords can be issued.

Table 76. Valid Environments for the /MONITOR Command and Keywords

Command / Keywords	DB/DC	DBCTL	DCCTL
/MONITOR	X		X
LINE	X		X
PTERM	X		X

### Usage

/MONITOR stops output from being sent to programmable remote stations (System/3 or System/7). Input and output message queuing are allowed to continue.

/MONITOR can be used to reset conditions previously established by the /START, /RSTART, /STOP, /PSTOP, or /PURGE command.

#### LINE, PTERM

Specifies the communication line or physical terminal for which output is being stopped.

### Example for /MONITOR Command

Entry ET:

```
/MONITOR LINE 4 PTERM 3
```

Response ET:

```
DFS058I MONITOR COMMAND COMPLETED
```

Response RT:

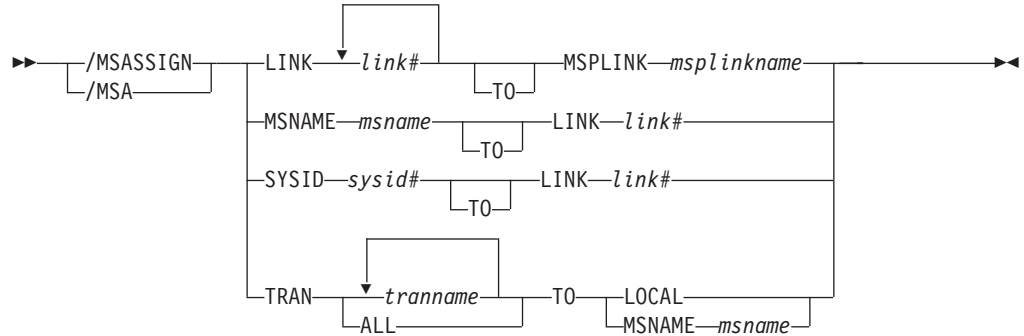
```
DFS059I TERMINAL MONITORED
```

Explanation: No further output is allowed to PTERM 3 on LINE 4.



## Chapter 36. /MSASSIGN

### Format



### Environments and Keywords

Table 77 lists the environments (DB/DC, DBCTL, and DCCTL) from which the command and keywords can be issued.

Table 77. Valid Environments for the /MSASSIGN Command and Keywords

Command / Keywords	DB/DC	DBCTL	DCCTL
/MSASSIGN	X		X
LINK	X		X
LOCAL	X		X
MSNAME	X		X
MSPLINK	X		X
SYSID	X		X
TRAN	X		X

### Usage

The /MSASSIGN command alters the assignments of the following multisystem resources: LINK, MSPLINK, MSNAME, and SYSID. These assignments include logical link to physical link, remote system identification (SYSID) to logical link, logical link path (MSNAME) to logical link, and transaction to a local or remote system.

All changes made by an /MSASSIGN command remain until changed with another /MSASSIGN command or an IMS cold start is performed. After the /MSASSIGN command is used, /MSVERIFY should be used to ensure that the assignment produced a valid configuration.

#### LINK

Specifies the logical link in a multiple system configuration.

Logical links can be assigned to physical links for input/output purposes. Only one logical link at a time can be assigned to a physical link (except for VTAM MSPLINKs, which can have multiple logical links assigned to them). The logical link must be stopped and idle for this assignment. Systems can only

communicate with each other across a logical link established through specification of the same partner ID in both systems.

This type of assignment must be synchronized between the master terminal operators of the two systems. If a connection becomes inoperable while a transmission is in progress, this type of assignment allows switching to an alternate connection and proceeding with the unfinished transmission.

**LOCAL**

Specifies the local system, that is the subsystem in which the command is issued. The command `/MSASSIGN TRANSACTION p1 TO LOCAL` assigns transaction p1 to the local system.

**MSNAME**

Specifies the logical link path in a multiple systems configuration.

**MSPLINK**

Specifies the physical link in a multiple subsystem configuration.

The command `/MSASSIGN LINK p1 MSPLINK p2` assigns the logical link p1 to the physical link p2 for input and output purposes.

**SYSID**

Specifies the system identification of a remote system in a multiple system configuration. Remote SYSIDs can be assigned to logical links for output purposes. More than one SYSID (=MSNAME) can be assigned to one logical link. A remote SYSID (=MSNAME) cannot be assigned to another logical link if a message is currently transmitting on the connection corresponding to this SYSID. Therefore, the logical link must be stopped and idle for this assignment.

**TRANSACTION**

Specifies the transaction to be assigned to either the local or the remote system.

For successful completion of the command:

- The transactions must be stopped.
- When assigning a remote transaction to local, a local APPLCTN macro (no SYSID parameter) for the corresponding program (PSB) must have been included in the system definition. There must be a local as well as a remote PSB of the same name defined during system definition.

`/MSASSIGN TRANSACTION` cannot be used for the CPI Communications driven transaction program.

---

## Examples

### Example 1 for /MSASSIGN Command

Entry ET:

```
/MSASSIGN LINK 2 TO MSPLINK BBB
```

Response ET:

```
DFS058I MSASSIGN COMMAND COMPLETED
```

Explanation: The input system now has a logical connection to physical link BBB for all the SYSIDs assigned to link 2.

## Example 2 for /MSASSIGN Command

Entry ET:

```
/MSASSIGN MSNAME BOSTON TO LINK 3
```

Response ET:

```
DFS058I MSASSIGN COMMAND COMPLETED
```

Explanation: The MSNAME BOSTON and its associated SYSID (19) have been reassigned to link 3. Link 3 can be used to associate all its SYSIDs with a main storage-to-main storage connection as opposed to a channel-to-channel or a bisynchronous connection.

## Example 3 for /MSASSIGN Command

Entry ET:

```
/MSASSIGN SYSID 19 TO LINK 2
```

Response ET:

```
DFS058I MSASSIGN COMMAND COMPLETED
```

Explanation: SYSID 19 might have been originally assigned to link 1 in the remote system and known by the MSNAME of CHICAGO. The example above reassigns SYSID 19 (CHICAGO) to link 2. This assignment can be made when both link 1 and link 2 are connected to the same two IMS systems and link 1 is inoperable.

## Example 4 for /MSASSIGN Command

Entry ET:

```
/MSASSIGN TRANSACTION XYZ TO MSNAME LNKY
```

Response ET:

```
DFS058I MSASSIGN COMMAND COMPLETED
```

Explanation: Local and remote SYSIDs of transaction XYZ are assigned to the link associated with MSNAME LNKY.





**Response ET:**

```
DFS2234I MSVERIFY COMMAND IN PROGRESS FOR LOCAL
SYSIDS 001,002,003,004 dddddd
```

Explanation: Assume SYSID numbers 001 through 004 are defined as local in the input system. dddddd is the time stamp.

**Response ET:**

```
DFS2243 TA11A IS NOT DEFINED AS TRANSACTION
IN BOTH SYSTEMS.
```

Explanation: TA11A is defined as a remote transaction in one system but is not defined as a transaction in the partner system.

**Response ET:**

```
DFS2237I MSVERIFY COMPLETED FOR LOCAL SYSID 001
ddddd
```

Explanation: Verification of local SYSID 001 is completed. The response message is repeated for local SYSIDs 002, 003, and 004 if all verify. dddddd is the time stamp.

**Response ET:**

```
DFS2235I SYSID 004 IS DEFINED AS LOCAL IN BOTH
SYSTEMS. dddddd
```

Explanation: SYSID 004 has no corresponding remote SYSID. dddddd is the time stamp.

Remote SYSIDs are processed next.

**Response ET:**

```
DFS2236I MSVERIFY COMMAND IN PROGRESS FOR REMOTE
SYSIDS 005,006,007,008 dddddd
```

**Response ET:**

```
DFS2237I MSVERIFY COMPLETED FOR SYSID 005
ddddd
```

Explanation: The verification of one remote SYSID is completed. The response above is repeated for remote SYSIDs 006, 007, and 008 if all verify. dddddd is the time stamp.

## Example 2 for /MSVERIFY Command

**Entry ET:**

```
/MSVERIFY SYSID 8
```

Explanation: The input system sends a list of its local SYSIDs to the remote system and then displays the following message on the input terminal.

**Response ET:**

```
DFS2234I MSVERIFY COMMAND IN PROGRESS FOR LOCAL SYSIDS
001, 002, 003, 004 dddddd
```



Explanation: Assume SYSID numbers 001 through 004 are defined as local in the input system.

As the input system completes processing of the information returned for each of the input system's local SYSIDs, the following message is displayed on the input terminal:

Response RT:

```
DFS2237I MSVERIFY COMPLETED FOR SYSID 001  
dddddd
```

Explanation: The verification of local SYSID 001 is completed. The response message is repeated for local SYSIDs 002, 003, 004 if all verify. Verification is complete only if a DFS2237I message is received for every SYSID identified in the DFS2234I message. Definition and assignment errors can cause conditions that prevent these messages from being returned. Stopped or unassigned links can also prevent the return of the message. ddddd is the time stamp.

Remote SYSIDs are processed next. The input system sends all its pertinent information related to the remote system's local SYSIDs and displays the following message:

Response ET:

```
DFS2236I MSVERIFY COMMAND IN PROGRESS FOR REMOTE  
SYSIDs 005, 006, 007, and 008 ddddd
```

As the remote system completes processing of the information it received for each of its local SYSIDs, the following message is displayed on the input terminal. ddddd is the time stamp.

Response ET:

```
DFS2237I MSVERIFY COMPLETED FOR SYSID 005  
dddddd
```

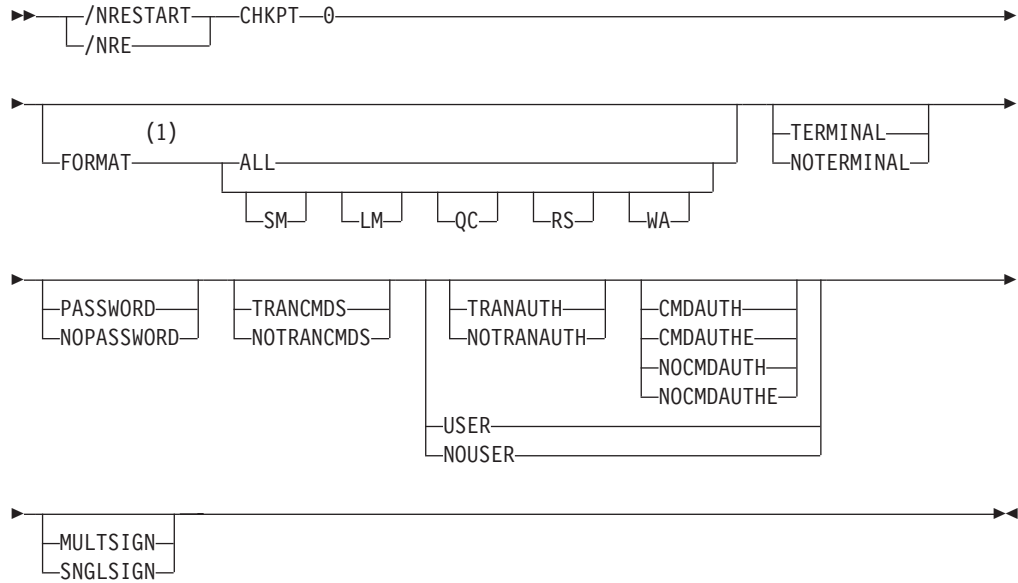
Explanation: The verification of one remote SYSID is complete. The last response message is repeated for remote SYSIDs 006, 007, 008 if all verify. ddddd is the time stamp.



# Chapter 38. /NRESTART

## Format

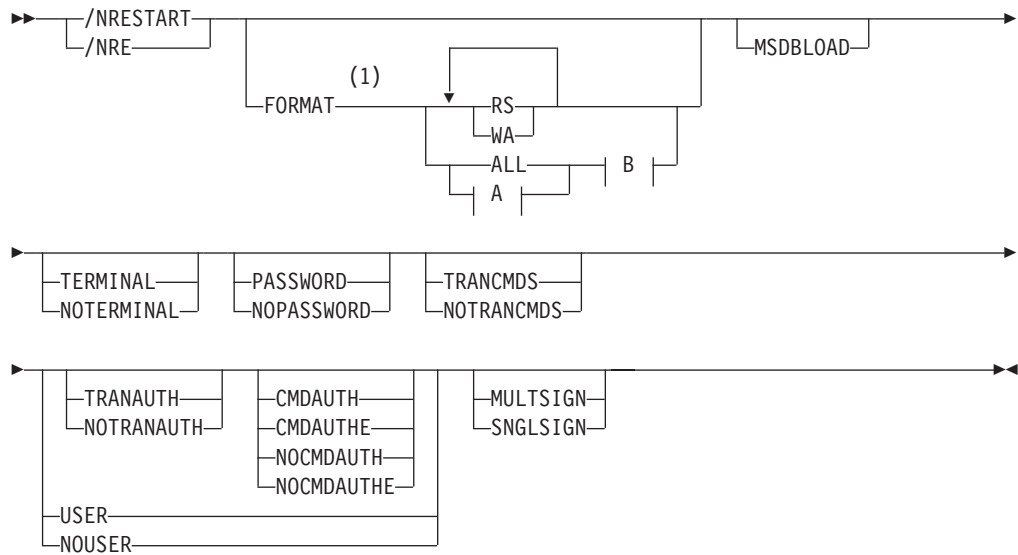
### Cold Start With No Previous Shutdown



### Notes:

- 1 The `FORMAT` keyword must be followed by at least one of the `SM`, `LM`, `QC`, `RS`, `WA`, or `ALL` parameters.

### Warm Start After a /CHECKPOINT FREEZE Command





## Environments and Keywords

Table 79 lists the environments (DB/DC, DBCTL, and DCCTL) from which the command and keywords can be issued.

Table 79. Valid Environments for the /NRESTART Command and Keywords

Command / Keywords	DB/DC	DBCTL	DCCTL
/NRESTART	X	X	X
BUILDQ	X		X
CHKPT	X	X	X
CMDAUTH	X		X
CMDAUTHE	X		X
FORMAT	X	X	X
MSDBLOAD	X		
MULTSIGN	X		X
NOBUILDQ	X		X
NOCMDAUTH	X		X
NOCMDAUTHE	X		X
NOPASSWORD	X		X
NOTERMINAL	X		X
NOTRANAUTH	X		X
NOTRANCMDS	X		X
NOUSER	X		X
PASSWORD	X		X
SNGLSIGN	X		X
TERMINAL	X		X
TRANAUTH	X		X
TRANCMDS	X		X
USER	X		X

## Usage

The /NRESTART command has three forms. The form depends on:

- Whether a cold start or warm start is required
- In the case of warm starts, whether the previous orderly shutdown was accomplished with:
  - /CHECKPOINT FREEZE
  - /CHECKPOINT PURGE or DUMPQ

/NRESTART is used to cold start IMS or warm start IMS following an orderly termination accomplished with a /CHECKPOINT shutdown command.

**Attention:** A cold start performed after a processing failure could cause processing against uncommitted data. To ensure data integrity, be sure necessary backout or recovery operations have been performed before restarting.

When IMS initializes, the system parameters used for this initialization can come from the IMS system generation, from a PROCLIB member, or from EXEC statements that can override both the defaults and the PROCLIB members. Therefore, message DFS1929I is displayed showing the system parameters used for this particular initialization. The system parameters are also written to the job log.

For an IMS cold start, the base security definition is created from the IMS system definition and EXEC parameter specifications. For an /NRESTART warm restart, the base security definition is created from the IMS checkpoint data.

To override the base security definitions on a cold start, the security keywords of the /NRESTART command must be used.

The SGN=, TRN=, and RCF= startup parameters can be overridden by the /NRESTART command using the security keywords shown in Table 80. A brief description of the keywords is also included.

Table 80. Security Keywords and Their Startup Parameter Equivalents

Keyword	Description	Startup Parameter
CMDAUTH	RACF command authorization on static and ETO terminals only.	RCF=S
CMDAUTHE	RACF command authorization on ETO terminals only.	RCF=C
MULTSIGN	Permits multiple signons for each user ID.	SGN=M
NOCMDAUTH	Resets the command authorization on static and ETO terminals.	Not RCF=S
NOCMDAUTHE	Resets the command authorization on ETO terminals only.	Not RCF=C
NOTRANAUTH	Resets the transaction authorization.	Not TRN=F or Y
NOUSER	Resets user identification verification, transaction authorization, and command authorization.	Not SGN=F or Y (G or Z becomes M) Not TRN=F or Y Not RCF=C or S
SNGLSIGN	Permits a single signon for each user ID.	SGN=F and Y Not SGN=M (G or Z becomes F or Y)
TRANAUTH	Transaction authorization.	TRN=F or Y
USER	Sets user identification verification.	SGN=Y

#### **BUILDQ or NOBUILDQ**

BUILDQ requests that the message queues dumped on the log be loaded into the message queue data sets. BUILDQ is optional for a warm start after a /CHECKPOINT PURGE or /CHECKPOINT DUMPQ.

The BUILDQ keyword must be included if the message queues are to be restored after being formatted. If the BUILDQ keyword is specified, the log from the last /CHECKPOINT DUMPQ or /CHECKPOINT PURGE is required, slowing down the restart process.

If /NRESTART FORMAT is specified without the BUILDQ keyword, the NOBUILDQ keyword must be specified. specifying NOBUILDQ reformats the queues in question and all messages are lost.

If an /NRESTART BUILDQ command fails, and then the /ERESTART CHECKPOINT 0, /ERESTART COLDCOMM, or /ERESTART COLDSYS command is performed, the

messages are lost. program product (5655-038) can be used to recover the local message queues. For more information about MRQ, refer to the *IMS/ESA Message Requeuer Program Description/Operations Manual*.

In a shared-queues environment, the BUILDQ keyword is ignored because the message queue data sets are not used.

### CHECKPOINT

Identifies the shutdown/restart sequence. CHECKPOINT 0 must be specified for a cold start.

### CMDAUTH

Specifies that both signon (user identification verification) and command authorization for static and ETO terminals are in effect at the end of the emergency restart. (Command authorization is same as specifying RCF=S on the startup parameter.)

To specify CMDAUTH, either:

SECURITY macro TYPE=RACFTERM|RACFCOM|SIGNEXIT|TRANEXIT

must be specified in the IMS system definition, or

EXEC parameters RCF=A|Y|T|C|S

must be specified on an EXEC parameter.

### CMDAUTHE

Specifies that command authorization for ETO terminals (same as RCF=S on the startup parameter) is in effect at the end of the emergency restart. CMDAUTHE also resets command authorization for static terminals, if it was set.

To specify CMDAUTHE, either:

SECURITY macro TYPE=RACFTERM|RACFCOM|SIGNEXIT|TRANEXIT

must be specified in the IMS system definition, or

EXEC parameters RCF=A|Y|T|C|S

must be specified on an EXEC parameter.

### FORMAT

Specifies which queues or data sets should be formatted as part of the restart process when:

- A message queue or data set I/O error occurs.
- The size of a message queue or data set is to be changed.
- A message queue or data set is to be reallocated.

Specify one or more of the following or ALL:

**SM** Short-message queue

**LM** Long-message queue

**QC** Control record data set

**RS** Restart data set

**WA** Write-ahead data set

**ALL** All message queues (SM and LM) and data sets (QC, WA, and RS)

When FORMAT ALL is specified, do not also specify SM, LM, QC, WA, or RS. FORMAT ALL is only required at IMS initialization (first time use of the system).

You can specify any combination of SM, LM, QC, WA, and RS; for example, FORMAT LM RS.

In a shared-queues environment, the LM, SM, and QC parameters are ignored because the message queue data sets are not used. If you specify ALL, IMS does not attempt to format the message queue data sets.

Table 81 shows the environments in which the parameters are valid.

Table 81. /NRESTART FORMAT Command Parameter Environments

Parameter	DB/DC	DBCTL	DCCTL
SM	X		X
LM	X		X
QC	X		X
RS	X	X	X
WA	X	X	X
ALL	X	X <sup>1</sup>	X

**Note:**

1. Supports only RS and WA parameters.

### MSDBLOAD

Requests that the MSDBs be loaded from the z/OS sequential data set MSDBINIT instead of the MSDB checkpoint data set. Use the MSDBLOAD keyword only when an MSDB initial load is required; otherwise, omit it from the /NRESTART command. After you modify an MSDB DBD, you must specify MSDBLOAD on the next warm start of IMS in order for the changes to be effective.

MSDBLOAD is not required:

- For warm starts when the MSDB checkpoint data set is used.
- For a cold start because the MSDBs are loaded from the z/OS sequential data set MSDBINIT and the MSDB checkpoint data sets are formatted.

### MULTSIGN

Permits multiple signons for each user ID.

In an IMSplex with Resource Manager and a resource structure, if MULTSIGN conflicts with the single user signon definition for the IMSplex, a warning message will be issued.

### NOCMDAUTH

Resets command authorization on static and ETO terminals.

### NOCMDAUTHE

Resets command authorization for static and ETO terminals. The command authorization is reset for static terminals because the command authorization for static terminals cannot exist without the command authorization for ETO terminals.

### NOTERMINAL

Specifies that the terminal security specifications established by the Security Maintenance utility are not in effect at completion of this emergency restart.



IMS system definition might have precluded the authority of the master terminal operator to negate terminal security, in which case, if NOTERMINAL is specified, an error message is received.

### **NOTRANAUTH**

Turns off transaction authorization. NOTRANAUTH is not the opposite of TRANAUTH. TRANAUTH sets transaction authorization and also turns on signon (user identification verification).

If you specify NOTRANAUTH, it will be rejected with an error message if either:

- SECLEVEL=FORCTAN was specified on the system definition SECURITY macro.
- TRN=F was specified as a JCL EXEC parameter.

### **NOUSER**

Specifies that none of the following is in effect at the end of the emergency restart:

- Transaction authorization
- User identification verification
- Command authorization

You can use /NRESTART NOUSER for a warm start, but if transaction authorization or command authorization are set from the checkpoint data, NOUSER is ignored, and signon (user identification verification) is set on.

### **PASSWORD or NOPASSWORD**

Specifies whether (PASSWORD) or not (NOPASSWORD) the password security specifications established by the Security Maintenance utility will be in effect at completion of this normal restart.

IMS system definition might preclude the authority of the master terminal operator to negate password security. If this is the case, and you specify NOPASSWORD, you receive an error message.

### **SNGLSIGN**

Permits a single signon for each user ID.

In an IMSplex with Resource Manager and a resource structure, if SNGLSIGN conflicts with the single user signon definition for the IMSplex, a warning message will be issued.

### **TERMINAL**

Specifies that the terminal security specifications established by the Security Maintenance utility are in effect at completion of this emergency restart. If RCF=S is specified. SMU is not used for command terminal security if RACF is used.

### **TRANAUTH**

Specifies both transaction authorization and user identification verification, with or without RACF.

To specify TRANAUTH either:

```
SECURITY macro TYPE=RACFTERM|RACFCOM|SIGNEXIT|TRANEXIT
```

must be specified in the IMS system definition, or

```
EXEC parameters RCF=A|Y|T|C|S
```

must be specified on an EXEC parameter.

**TRANCMDS or NOTRANCMDS**

Specifies whether (TRANCMDS) or not (NOTRANCMDS) the transaction command security established by the Security Maintenance utility is in effect at completion of this normal restart. NOTRANCMDS specifies that transaction-entered commands cannot be entered.

**USER**

Specifies user identification verification. User identification verification means that signon is required by the static terminals that are defined to SMU for signon verification. This keyword has no effect on ETO terminals because they are always required to sign on. User identification verification can be forced on by the TRANAUTH or CMDAUTH keyword

To specify USER either:

```
SECURITY macro TYPE=RACFTerm|RACFCOM|SIGNEXIT|TRANEXIT
```

must be specified in the IMS system definition, or

```
EXEC parameters RCF=A|Y|T|C|S
```

must be specified on an EXEC parameter.

**Examples****Example 1 for /NRESTART Command**

This is an example of a cold start with new message queue data sets.

Entry ET:

```
/NRESTART CHECKPOINT 0 FORMAT ALL
```

Response ET:

```
DFS058I (time stamp) NRESTART COMMAND IN PROGRESS
DFS994I *CHKPT 82274/114447**SIMPLE*
```

Explanation: IMS is started at 114447 (time) on 82274 (Julian date). A simple checkpoint is written on the system log. All message queue data sets are formatted. 82274/114447 is the checkpoint number.

**Example 2 for /NRESTART Command**

This is an example of a warm start from a FREEZE checkpoint.

Entry ET:

```
/NRESTART
```

Response ET:

```
DFS058I (time stamp) NRESTART COMMAND IN PROGRESS
DFS680I USING CHKPT 82273/180000
DFS994I *CHKPT 82274/082217**SIMPLE*
```

Explanation: The restart is being performed from checkpoint 82273/180000, which was written at the most recent IMS shutdown. IMS is restarted at 082217 (time) on 82274 (Julian date). A simple checkpoint is written on this system log. 82274/082217 is the checkpoint number.

### Example 3 for /NRESTART Command

This is an example of a warm start to format WADS.

Entry ET:

```
/NRESTART FORMAT WA
```

Response ET:

```
DFS058I (time stamp) NRESTART COMMAND IN PROGRESS
DFS680I USING CHKPT 82119/230000
DFS994I *CHKPT 82120/101318**SIMPLE*
```

Explanation: The restart is being performed from checkpoint 82119/230000, which was written at the most recent IMS shutdown. IMS is restarted at 101318 (time) on 82120 (Julian date). A simple checkpoint is written on the system log. 82120/101318 is the checkpoint number.

### Example 4 for /NRESTART Command

This is an example of a warm start from a PURGE or DUMPQ checkpoint.

Entry ET:

```
/NRESTART BUILDQ
```

Response ET:

```
DFS058I (time stamp) NRESTART COMMAND IN PROGRESS
DFS680I USING CHKPT 82080/214240
DFS994I *CHKPT 82081/060000**SIMPLE*
```

Explanation: IMS is restarted at 060000 (time) on 82081 (Julian date) from checkpoint 82080/214240, which was written at the most recent IMS shutdown. 82081/060000 is the checkpoint number.

### Example 5 for /NRESTART Command

This is an example of a warm start from a PURGE or DUMPQ checkpoint. The large and small message queue data sets have been reallocated.

Entry ET:

```
/NRESTART BUILDQ FORMAT SM LM
```

Response ET:

```
DFS058I (time stamp) NRESTART COMMAND IN PROGRESS
DFS680I USING CHKPT 82170/085236
DFS994I *CHKPT 82170/085820**SIMPLE*
```

Explanation: IMS is restarted at 085820 (time) on 82170 (Julian date) from checkpoint 82170/085236, which was written at the most recent IMS shutdown. The large and small message queue data sets are reformatted. 82170/085820 is the checkpoint number.

### Example 6 for /NRESTART Command

This is an example of a warm start from a PURGE or DUMPQ checkpoint. An initial set of MSDBs is needed.

Entry ET:

```
/NRESTART BUILDQ MSDBLOAD
```

**Response ET:**

```
DFS058I (time stamp) NRESTART COMMAND IN PROGRESS
DFS680I USING CHKPT 82068/180000
DFS2554 MSDB MSDBHJ01 LOADED
DFS2554 MSDB MSDBHJ02 LOADED
DFS2554 MSDB MSDBAK01 LOADED
DFS2554 MSDB MSDBAK02 LOADED
DFS2554 MSDB MSDBPS01 LOADED
DFS994I *CHKPT 82069/080000**SIMPLE*
```

Explanation: IMS is restarted at 080000 (time) on 82069 (Julian date) from checkpoint 82068/180000, which was written at the most recent IMS shutdown. A simple checkpoint is written on the system log. 82069/080000 is the checkpoint number. An initial set of MSDBs is loaded from the z/OS sequential data set MSDBINIT.

### Example 7 for /NRESTART Command

This is an example of a warm start from a PURGE or DUMPQ checkpoint with a request for transaction command security.

**Entry ET:**

```
/NRESTART TRANCMDS
```

**Response ET:**

```
DFS058I (time stamp) NRESTART COMMAND IN PROGRESS
DFS680I USING CHKPT 82080/214240
DFS994I *CHKPT 82274/114447**SIMPLE*
```

Explanation: The master terminal operator is warm starting IMS and requesting that transaction command security be in effect at the completion of the normal restart.

### Example 8 for /NRESTART Command

This is an example of a warm start from a PURGE or DUMPQ checkpoint with a request to negate transaction command security.

**Entry ET:**

```
/NRESTART NOTRANCMDS
```

**Response ET:**

```
DFS2181I CANNOT OVERRIDE FORCED COMMAND SECURITY
```

Explanation: The master terminal operator is warm starting IMS with a request to negate transaction command security. IMS system definition precludes the authority of the master terminal operator to enter the NOTRANCMDS keyword. IMS returns the DFS2181 message.

### Example 9 for /NRESTART Command

This is an example of a warm start from a PURGE or DUMPQ checkpoint. The data sets are formatted without rebuilding the message queues.

**Entry ET:**

```
/NRESTART FORMAT SM LM NOBUILDQ
```

**Response ET:**

```
DFS058 NRESTART COMMAND IN PROGRESS
```

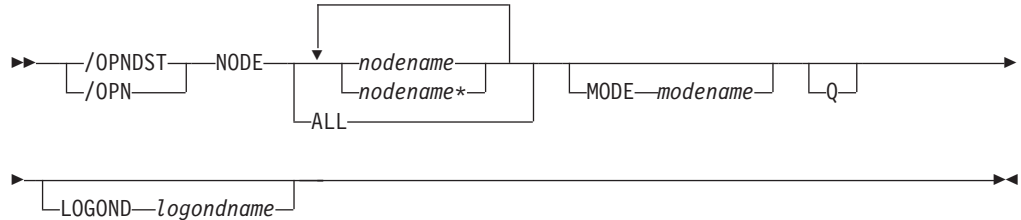
Explanation: The master terminal operator is warm starting IMS with a request to reformat the data sets without rebuilding the message queues. IMS comes up, but all messages are lost.



## Chapter 39. /OPNDST

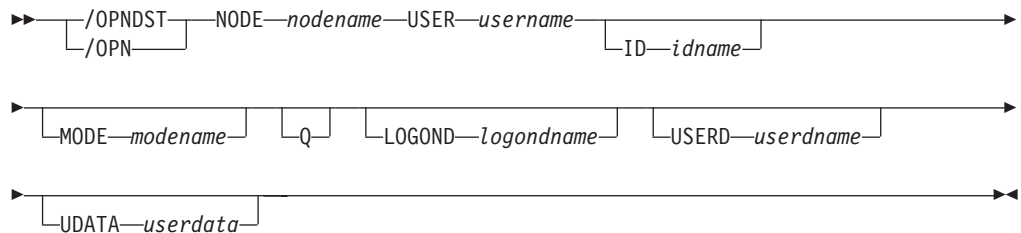
### Format

**The /OPNDST Command Without the USER Keyword.** Use this form of the command for all static and ETO terminals except ETO SLU P and Finance terminals, ETO output-only devices, and all ISC parallel sessions.

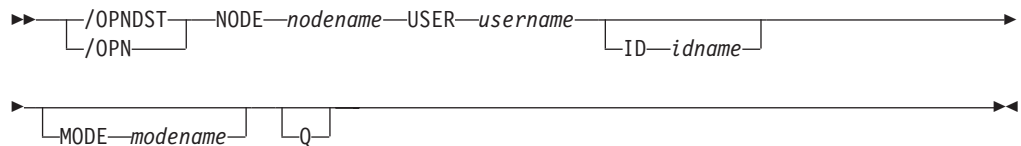


**The /OPNDST Command With the USER Keyword for Non-ISC.** Use this form of the command for:

- ETO SLU P and Finance terminals
- ETO output-only devices, for example, 3284, 3286, and SLU P1 with a single component of PRINTER1



**The /OPNDST Command With the USER Keyword for ISC.** Use this form of the command for all ISC parallel sessions, both static and ETO.



### Environments and Keywords

Table 82 lists the environments (DB/DC, DBCTL, and DCCTL) from which the command and keywords can be issued.

Table 82. Valid Environments for the /OPNDST Command and Keywords

Command / Keywords	DB/DC	DBCTL	DCCTL
/OPNDST	X		X
ID	X		X
LOGOND	X		X

Table 82. Valid Environments for the /OPNDST Command and Keywords (continued)

Command / Keywords	DB/DC	DBCTL	DCCTL
MODE	X		X
NODE	X		X
Q	X		X
UDATA	X		X
USER	X		X
USERD	X		X

---

## Usage

/OPNDST is a multisegment command that causes IMS to initiate a session with a VTAM terminal and, if the USER keyword is specified, the user is signed on automatically to the VTAM terminal after successful session initiation. All forms of logging-on a remote VTAM terminal to IMS, including the use of /OPNDST, do not work until the /START DC command has been entered and accepted by IMS.

All /OPNDST formats require an EOM indication to denote end-of-message. An EOS indication must be included for all segments that precede the last segment. See "Multisegment Command Input" on page 8 for more detail on using EOM and EOS.

You can issue /OPNDST on the XRF alternate to restart a failed backup session for a class 1 ETO terminal. To do this, the node and the user structure must still exist and be coupled together, and an active session must exist on the active system. If the node and the user are not coupled, or an active session does not exist on the active system, the command is rejected.

**ID** Is applicable only if the USER keyword is specified and the node is a parallel session ISC node. ID identifies the other system half-session qualifier. ID must not be specified for a single session ISC node. ID idname must be specified to open ISC nodes defined with users. The ID idname is passed to the other half-session with the session initiation request. If the other system is another IMS system, idname is the name of an ISC user in that system.

### LOGOND

Indicates the logon descriptor used for session establishment. LOGOND is supported only for dynamic non-ISC nodes. The logon descriptor can also be provided through the logon exit.

### MODE

Identifies the LOGON MODE table entry that VTAM must use and can determine operating characteristics for certain VTAM terminals. If a list of node names is given, the MODE keyword is applied to each of them. The command checks whether each node has been defined to accept IMS initiated connections. If the node was defined as NOPNDST, the /OPNDST command accepts all the nodes except the node defined as NOPNDST.

### NODE

Specifies the VTAM node with which IMS will initiate a session.

/OPNDST NODE ALL opens sessions for all static terminals except ISC parallel sessions. The command has considerable concurrent activity, both for IMS and for VTAM. Ensure that the system has sufficient pool sizes, buffer sizes, and number of concurrent IMS tasks defined.



If the USER keyword is not specified in the command, the NODE parameter can be generic or ALL, or a range of static nodes, or there can be multiple NODE parameters. If a generic, ALL, or range of node names is specified, any nodes defined with users are ignored and flagged with an error message.

The /OPNDST NODE USER command signs on and logs on a user at the same time, except for ISC terminals. On ISC terminals, the session is allocated.

Sample /OPNDST NODE USER commands are listed below:

- To sign on and log on to a static non-ISC terminal:

```
/OPNDST NODE nodename USER username UDATA userdata
```

This command marks a statically defined terminal as signed on by the user.

- To sign on and log on to an ETO non-ISC terminal:

```
/OPNDST NODE nodename USER username MODE modename  
LOGOND logondname USERD userdname UDATA userdata
```

This command creates the terminal and user structures, and allocates the newly created user structure to the terminal structure created to indicate signed on status.

- To sign on and log on to a static ISC terminal:

```
/OPNDST NODE nodename USER username ID idname
```

This command finds the subpool structure and allocates the subpool (user) structure the statically defined static ISC terminal. user issues the /SIGN command.

- To sign on and log on to an ETO ISC terminal:

```
/OPNDST NODE nodename USER username ID idname MODE modename  
LOGOND logondname USERD userdname UDATA userdata
```

This command creates the terminal and subpool (user) structure and allocates the newly created user structure to the terminal structure created. defined by the SUBPOOL name in RACF until the user issues a /SIGN command.

To restart failing ETO sessions (for example, ETO only or printer sessions), use the /OPNDST NODE USER command.

In an IMSplex, /OPNDST NODE specifies a VTAM node with which IMS initiates a session. Specify ROUTE(imsid), if you want to log the node onto a particular IMS. If ROUTE(imsid) is not specified, and /OPNDST is routed to all the IMS systems, IMS will process the command only on the IMS system designated as the command master. If the ROUTE keyword specifies multiple IMS systems so that the /OPNDST is routed to more than one IMS systems, IMS will process the command only on the IMS system designated as the command master. On the other IMSs, the /OPNDST command will be rejected.

- Q** Causes IMS to request VTAM to queue SIMLOGON requests for VTAM/SNA-supported terminals.

The /OPNDST NODE Q command also allows IMS to request another subsystem to share a node (usually printers) with IMS. If the other subsystem is using the printer, VTAM queues the SIMLOGON request for IMS for the printer, schedules the owning subsystem's RELREQ VTAM exit, and acquires the printer for IMS after the current owning system releases the printer. Multiple requests for the same printer are queued by VTAM for processing.

The /DISPLAY NODE command is used to determine whether IMS has acquired the printer.

### UDATA

Indicates the user data used with the signon.

The UDATA keyword is valid only if the USER keyword and parameter are also specified. The UDATA keyword is valid for static and dynamic users. It is not valid for ISC nodes. The user data can be up to 256 bytes long.

### USER

Identifies the logical terminal user to be allocated to the half-session to be created for ISC node nodename. For dynamic non-ISC users, it specifies the user ID to be signed on to the dynamic node nodename.

The USER keyword applies to ISC sessions when allocating a user to an ISC node, to dynamic users when signing a dynamic user on to a dynamic node, and to static user IDs when signing a user on to a static node.

USER username must be specified to open parallel session ISC nodes with users. It must not be specified for a single session ISC node.

### USERD

Specifies the user descriptor to be used with the signon. It is valid only if the USER keyword and parameter are specified. USERD is only supported for dynamic users and is only valid for dynamic non-ISC nodes. The user descriptor can also be provided through the logon or signon exits.

---

## Examples

### Example 1 for /OPNDST Command

Entry ET:

```
/DIS NODE L3270*
```

Response ET:

NODE-USR	TYPE	CID	RECD	ENQCT	DEQCT	QCT	SENT
L3270A	3277	00000000	0	0	0	0	0 IDLE C1INOP STATIC
L3270B	3277	00000000	0	0	0	0	0 IDLE C1INOP STATIC
L3270C	3277	08000002	44	45	45	0	80 CON STATIC
L3270D	3277	00000000	2	0	0	0	7 IDLE STATIC

\*94307/145048\*

Entry ET:

```
/OPNDST NODE L3270*
```

Response ET:

```
DFS058I OPNDST COMMAND COMPLETED
```

Entry ET:

```
/DIS NODE L3270*
```

Response ET:

NODE-USR	TYPE	CID	RECD	ENQCT	DEQCT	QCT	SENT
L3270A	3277	06000004	0	0	0	0	1 IDLE CON STATIC
L3270B	3277	04000005	0	0	0	0	1 IDLE CON STATIC
L3270C	3277	08000002	46	46	46	0	82 CON STATIC
L3270D	3277	04000006	2	0	0	0	8 IDLE CON STATIC

\*94307/145750\*

Explanation: The nodes L3270A through L3270D are logged on to IMS.

## Example 2 for /OPNDST Command

Entry ET:

```
/OPNDST NODE DT327002 USER IMSUS01 MODE LU032NT4 USERD DFSUSER
UDATA= IMSPW01.
```

Response ET:

```
DFS058I 11:07:48 OPNDST COMMAND COMPLETED
```

Explanation: A session with dynamic node DT327002 is established by using mode table LU032NT4. User IMS01 is signed on to the node using user descriptor DFSUSER, username IMSUS01, and password IMSPW01.

## Example 3 for /OPNDST Command

Entry ET:

```
/OPNDST NODE DTSLU201 USER IMSUS01 MODE SLU2MOD1 USERD DFSUSER
LOGOND DFSSLU2 UDATA=IMSPW01.
```

Response ET:

```
DFS058I 11:07:48 OPNDST COMMAND COMPLETED
```

Explanation: DTSLU201 is logged on. A session with dynamic node DTSLU201 is established by using logon descriptor DFSSLU2 (type SLU2), and mode table SLU2MOD1. Dynamic user IMSUS01 is signed on to the node using user descriptor DFSUSER and password IMSPW01.

## Example 4 for /OPNDST Command

Entry ET:

```
/OPNDST NODE WEST-EAST
```

Response ET:

```
DFS058I OPNDST COMMAND COMPLETED
```

Response RT:

```
DFS3650 TERMINAL CONNECTED TO IMS XXXXXXXX
```

Explanation: The nodes, WEST through EAST, are logged on to IMS.

## Example 5 for /OPNDST Command

The following set of commands illustrate the use of the MODE keyword on the /OPNDST command.

Entry ET:

```
/DIS NODE LUTYPEP1 MODE
```

Response ET:

```
NODE-USR TYPE DEF MODETBL ACT MODETBL
LUTYPEP1 SLUP DEFRESP
*90179/100206*
```

Explanation: DEFRESP is the mode table name defined for node LUTYPEP1 at system definition. The session is not active so the ACT MODETBL field is blank.

Entry ET:

```
/OPN NODE LUTYPEP1.
```

Response ET:

```
DFS058I OPNDST COMMAND COMPLETED
```

Entry ET:

```
/DIS NODE LUTYPEP1 MODE
```

Response ET:

```
NODE-USR TYPE  DEF MODETBL  ACT MODETBL
LUTYPEP1 SLUP  DEFRESP      DEFRESP
*90179/100508*
```

Explanation: A mode table name was not specified with the /OPNDST command so the default value defined at system definition was used to initiate the session.

Entry ET:

```
/CLS NODE LUTYPEP1
```

Response ET:

```
DFS058I CLSDST COMMAND COMPLETED
```

Entry ET:

```
/DIS NODE LUTYPEP1 MODE
```

Response ET:

```
NODE-USR TYPE  DEF MODETBL  ACT MODETBL
LUTYPEP1 SLUP  DEFRESP
*90179/100630*
```

Explanation: Active mode table name displays as blank at normal session termination.

Entry ET:

```
/OPN NODE LUTYPEP1 MODE ALPHA.
```

Response ET:

```
DFS058I OPNDST COMMAND COMPLETED
```

Entry ET:

```
/DIS NODE LUTYPEP1 MODE
```

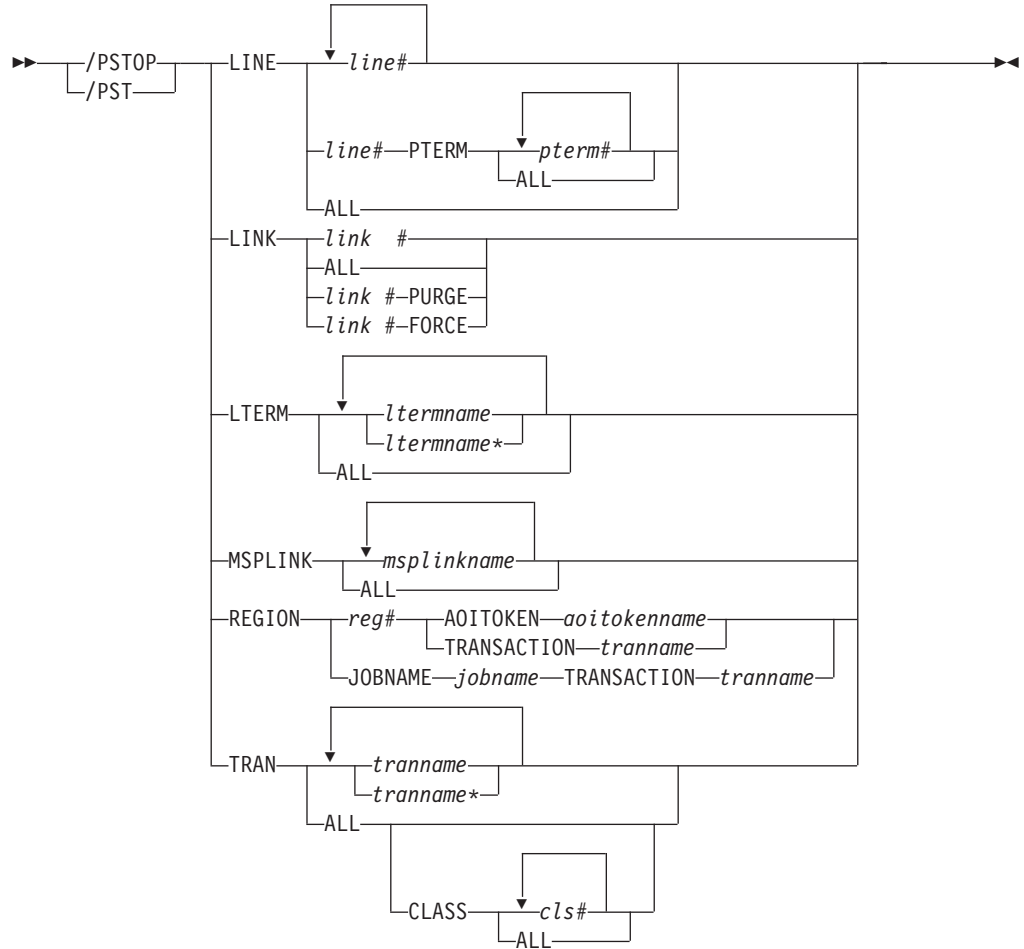
Response ET:

```
NODE-USR TYPE  DEF MODETBL  ACT MODETBL
LUTYPEP1 SLUP  DEFRESP      ALPHA
*90179/100805*
```

Explanation: The mode table name specified with the /OPNDST command (ALPHA) is used to initiate the session. The default value specified at system definition (DEFRESP) is overridden by the /OPNDST command.

# Chapter 40. /PSTOP

## Format



## Environments and Keywords

Table 83 lists the environments (DB/DC, DBCTL, and DCCTL) from which the command and keywords can be issued.

Table 83. Valid Environments for the /PSTOP Command and Keywords

Command / Keywords	DB/DC	DBCTL	DCCTL
/PSTOP	X	X	X
AOITOKEN	X	X	X
CLASS	X		X
FORCE	X		X
JOBNAME	X	X	X
LINE	X		X
LINK	X		X
PURGE	X		X

Table 83. Valid Environments for the /PSTOP Command and Keywords (continued)

Command / Keywords	DB/DC	DBCTL	DCCTL
LTERM	X		X
MSPLINK	X		X
PTERM	X		X
REGION	X	X	X
TRAN	X		X

## Usage

/PSTOP accomplishes the following:

- Stops the sending and receiving of messages to a particular communication line, terminal, or logical link
- Stops the scheduling of messages containing specific transaction codes
- Allows the queuing of output messages and input messages to continue
- Validity checks all parameters entered by the terminal operator

If an error is detected on parameters that are independent of one another, only the invalid parameters are indicated as being in error and the /PSTOP command processes the rest of the parameters.

/PSTOP can be used to reset conditions previously established with the /START, /RSTART, /PURGE, or /MONITOR command.

In a single IMS system, or in the local system in a multiple system configuration, IMS system messages such as broadcast text and terminal status messages (DFS059 TERMINAL STARTED) are not affected by /PSTOP. In a multiple system configuration, broadcast messages are queued but not sent across process stopped links. potential transactions.

### LINE

Specifies the communication line that IMS will stop sending messages to and receiving messages from.

### LINK

Specifies the link to be stopped; the partner link in another IMS system stops itself and notifies that system's master terminal operator.

/PSTOP LINK resets continuous mode for a BISYNC link. See the /RSTART LINK CONTINUOUS command in Chapter 51, "/RSTART," on page 573 for an explanation of continuous mode.

### PURGE

PURGE can only be used for one logical link whose physical link is channel-to-channel. PURGE must be used when the partner link is in a system that has failed and the link will not go idle although it has been stopped.

### FORCE

The FORCE keyword is for VTAM links and is intended for use when an MSC VTAM link will not clean up and idle during normal PSTOP processing, even though VTAM has terminated the session. It can be used, in conjunction with some VTAM commands to idle and clean up the VTAM link within IMS, so that an /RSTART LINK can be issued to restart the link.

The operation of the command first determines if the link has begun PSTOP processing. (If so, the link will display as PSTOPPED NOTIDLE). Next it will test if the hang condition is due to an outstanding VTAM request that has not completed. If so, it will issue an inquire request to VTAM to determine if the session is inactive. In that case, IMS will simulate completion of the VTAM request and allow the link to complete PSTOP processing.

To determine if the session is still active to VTAM, issue a DISPLAY NET,SESSIONS,LU1=app1 id1,LU2=app1 id2,SCOPE=ALL,LIST=ALL, and note the SID of the session if it is active.

If the session is not active, and it has a PSTOPPED NOTIDLE status to IMS, then /PSTOP LINK x FORCE can be issued. If the session is still active to VTAM, then VARY NET,TERM,SID=x,NOTIFY=YES,SCOPE=ALL,TYPE=FORCE can be issued to VTAM to terminate the session.

Under normal conditions, the VTAM VARY NET,TERM command should terminate the session in VTAM and cause IMS to PSTOP and IDLE the link associated with the VTAM session. If the VTAM VARY command does terminate the VTAM session but does not PSTOP and IDLE the link, then the IMS /PSTOP LINK FORCE command can be used to complete the PSTOP and cleanup processing within IMS.

After PSTOP processing is completed on one side of the line, the other side should be displayed. If the other side is not in a PSTOP IDLE state, the operation should be repeated for the other IMS. When both sides are in the PSTOP IDLE state, the /RSTART LINK command can be issued.

IMS replies with DFS058 /PSTOP LINK COMPLETED EXCEPT LINK x, if the /PSTOP LINK x FORCE command cannot be executed because:

- The session is still active to VTAM.
- Normal PSTOP processing has not begun (issue /PSTOP without the FORCE keyword in this case).
- PSTOP processing is not completing due to some reason other than an incomplete VTAM request.

### **LTERM**

Specifies the logical terminal that is to be stopped from sending and receiving messages.

The /PSTOP LTERM command has no effect on an LTERM that is in QLOCK state, or is a remote logical terminal. The LTERM parameter can be generic, where the generic parameter specifies LTERMs that already exist.

The /PSTOP LTERM command is valid only for LTERMs that belong to nodes that are logged on.

### **MSPLINK**

Applies to MSC VTAM links only; it stops logons to the physical link and enables the operator to reassign (/MSASSIGN) logical links to the physical link. The /MSASSIGN command does not affect links in sessions that have not been stopped by the /PSTOP command. When logical link assignments are complete, the /RSTART command should be issued to permit logons to the physical link.

### **REGION**

If the TRANSACTION keyword is specified, the message region is not stopped. A QC status (no more messages) is returned to the application program currently active in the specified region. The scheduler will continue to schedule available transactions in the referenced region.

The /PSTOP REGION command is ignored unless both of the following occur:

- An active transaction type is specified.
- The referenced message region is processing transactions with the wait-for-input option, or the region is an MPP.

If the AOITOKEN keyword is specified, the AO application in wait AOI token state is posted and receives AIB return code X'00000004' and reason code X'0000004C'.

If JOBNAME keyword is specified, the job name for the dependent region must be 1-8 alphanumeric or national (\$,#,@) characters. The first character of the job name must be either alphabetic or national.

### **TRANSACTION**

Stops the scheduling of transactions; however, the transactions will continue to be processed until the limit count is reached. If the limit count is large, the processing interval will be long. The /DISPLAY command ascertains the status of the transaction; the /ASSIGN command alters the status of the transaction.

If a region is scheduled against a process stopped transaction and there are no more messages available for that transaction, the region does not wait for the next message (wait-for-input-mode). Instead, a QC status (no more messages) is returned to the application. If the region is scheduled and waiting for the next message when the command is entered, the region is notified and a QC status is returned to the application.

A batch message processing region (BMP) scheduled against wait-for-input (WFI) transactions returns a QC status code (no more messages) for /PSTOP REGION, /DBD, /DBR, or /STA commands only.

/PSTOP cannot stop the scheduling of Fast Path exclusive transactions but can be used to stop Fast Path potential transactions.

/PSTOP TRANSACTION cannot be used for Fast Path exclusive transactions or CPI Communications driven transaction programs.

The TRANSACTION parameter can be generic where the generic parameter specifies transactions that already exist.

---

## **Examples**

### **Example 1 for /PSTOP Command**

Entry ET:

```
/PSTOP LINE 4 PTERM 1
```

Response ET:

```
DFS058I PSTOP COMMAND COMPLETED
```

Response RT:

```
DFS059I TERMINAL PSTOPPED
```

Explanation: LINE 4 PTERM 1 is not sent application program or message switch output and is not allowed to send input. Output messages for the terminal continue to be queued.



## Example 2 for /PSTOP Command

Entry ET:

```
/PSTOP LINE 4 6 200
```

Response ET:

```
DFS058I PSTOP COMMAND COMPLETED EXCEPT LINE 200
```

Explanation: LINE 4 and LINE 6 are not allowed to send or receive messages. Message queuing continues. Line 200 is an invalid line number.

## Example 3 for /PSTOP Command

Entry ET:

```
/PSTOP LINK 2 3 4
```

Response ET:

```
DFS058I PSTOP COMMAND COMPLETED
```

Response ET:

```
DFS2169I DISCONNECTION COMPLETED ON LINK 2
```

Explanation: Logical link 2 is disconnected. This message is received for each logical link that is disconnected.

Response Remote MT:

```
DFS2161I LINK 2 STOPPED BY PARTNER
DFS2161I LINK 3 STOPPED BY PARTNER
DFS2161I LINK 4 STOPPED BY PARTNER
```

Explanation: Logical links 2, 3, and 4 stop processing messages. Output queuing continues.

Response ET:

```
DFS2169I DISCONNECTION COMPLETED ON LINK 3
```

Explanation: Logical link 3 is disconnected. This message is also received when logical link 4 disconnects.

## Example 4 for /PSTOP Command

Entry ET:

```
/PSTOP LINK ALL
```

Response ET:

```
DFS058I PSTOP COMMAND COMPLETED
```

Response Remote MT:

```
A DFS2161 LINK n STOPPED BY PARTNER message
is received for each logical link that was
operational when /PSTOP was entered.
```

Explanation: Output to all logical links stops. Output queuing continues. Input is not allowed.

Response ET:

DFS2169I DISCONNECTION COMPLETED ON LINK XXX

Explanation: As each logical link is disconnected, this message is received.

### **Example 5 for /PSTOP Command**

Entry ET:

/PSTOP LINK 1 2 3 PURGE

Response ET:

DFS2272I PURGE KEYWORD INVALID, ONLY ONE  
CTC LINK ALLOWED

Explanation: Only one link can be specified with the PURGE keyword.

### **Example 6 for /PSTOP Command**

Entry ET:

/PSTOP LINK 2 PURGE

Response ET:

DFS2273I PURGE KEYWORD REJECTED, CURRENT STATUS  
OF LINK IS NORMAL

Explanation: The partner system has not failed and the link appears to be working.

### **Example 7 for /PSTOP Command**

Entry ET:

/PSTOP LTERM APPLE, TREE

Response ET:

DFS058I PSTOP COMMAND COMPLETED

Response RT:

DFS059I TERMINAL PSTOPPED

Explanation: The physical terminals associated with logical terminals APPLE and TREE are not sent output that is destined for logical terminals APPLE or TREE, or allowed to enter input. Output queuing continues.

### **Example 8 for /PSTOP Command**

Entry ET:

/PSTOP MSPLINK ALL

Response ET:

DFS058I COMMAND COMPLETED

Explanation: All the VTAM physical links are stopped from receiving logons. Any links in session are not affected.

### **Example 9 for /PSTOP Command**

Entry ET:

/PSTOP TRANSACTION SEED

Response ET:

```
DFS058I PSTOP COMMAND COMPLETED
```

Explanation: Transaction code SEED can no longer be scheduled. Queuing of the transaction continues.

## Example 10 for /PSTOP Command

Entry ET:

```
/PSTOP TRANSACTION ALL CLASS 3
```

Response ET:

```
DFS058I PSTOP COMMAND COMPLETED
```

Explanation: All transactions associated with class 3 can no longer be scheduled. Queuing of the transactions continues.

## Example 11 for /PSTOP Command

Entry ET:

```
/PSTOP REGION 1 TRANSACTION XYZ
```

Response ET:

```
DFS058I PSTOP COMMAND IN PROGRESS
```

Response ET:

```
DFS0569I PSTOP COMPLETE FOR REGION 1 TRAN XYZ
DFS0566I PSTOP NOT VALID FOR TRAN XYZ
```

Explanation: If the DFS0569I message prints, processing of the transaction type, xyz, is stopped in message region 1. If the DFS0566I message prints, the command was ignored because the two required conditions were not satisfied.

## Example 12 for /PSTOP Command

Entry ET:

```
/PSTOP REGION 2 AOITOKEN AOITOK2
```

Response ET:

```
DFS058I PSTOP COMMAND IN PROGRESS
```

Response MT:

```
DFS0569I PSTOP OR STOP COMPLETE FOR REGION 2 AOIT AOITOK2.
```

Explanation: If the DFS0569I message prints, the AO application in region 2 waiting for a message for AOI token AOITOK2 is posted; the application receives AIB return code X'00000004' and reason code X'0000004C'.

## Example 13 for /PSTOP Command

Entry ET:

```
/PSTOP REGION 2 AOITOKEN AOITOK2
```

Response ET:

```
DFS058I PSTOP COMMAND IN PROGRESS
```

Response MTO:

DFS1190I REGION 2 NOT WAITING ON AOITOKEN AOITOK2

Explanation: If the DFS1190I message prints, the command is ignored because region 2 was not waiting on AOI token AOITOK2.

### Example 14 for /PSTOP Command

Entry ET:

/DIS ACTIVE REG

Response ET:

REGID	JOBNAME	TYPE	TRAN/STEP	PROGRAM	STATUS	CLASS
1	MPP610C	TP	NQF1	PMVAPZ12	ACTIVE	1, 2, 3, 4
	BATCHREG	BMP	NONE			
	FPRGN	FP	NONE			
	DBTRGN	DBT	NONE			
	DBRECTA9	DBRC				
	DLIECTA9	DLS				
	*96081/150611*					

Explanation: Message processing program PMVAPZ12 is processing transaction NQF1. The job name of the region is MPP610C

Entry ET:

/PSTOP REGION JOBNAME MPP610C TRAN NQF1

Response ET:

DFS058I PSTOP COMMAND IN PROGRESS  
DFS0569I PSTOP OR STOP COMPLETE FOR REGION 00001 TRAN NQF1

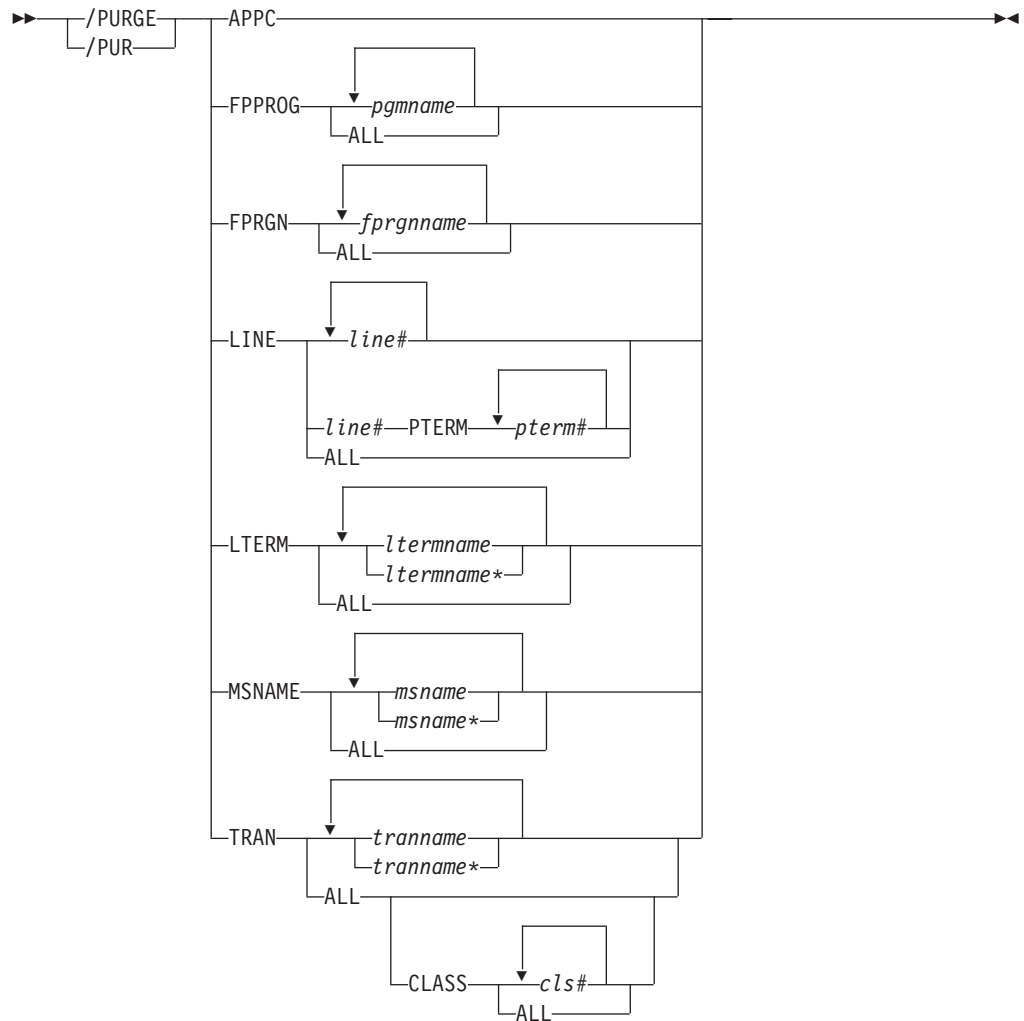
Response ET:

DFS058I PSTOP COMMAND IN PROGRESS  
DFS0566I PSTOP NOT VALID FOR TRAN NQF1

Explanation: If the DFS0569I message is displayed, processing of the transaction type, NQF1, is stopped in message region 1. If the DFS0566I message is displayed, the command was ignored because the two required conditions were not satisfied.

# Chapter 41. /PURGE

## Format



## Environments and Keywords

Table 84 lists the environments (DB/DC, DBCTL, and DCCTL) from which the command and keywords can be issued.

Table 84. Valid Environments for the /PURGE Command and Keywords

Command / Keywords	DB/DC	DBCTL	DCCTL
/PURGE	X		X
APPC	X		X
CLASS	X		X
FPPROG	X		X
FPRGN	X		X
LINE	X		X

Table 84. Valid Environments for the /PURGE Command and Keywords (continued)

Command / Keywords	DB/DC	DBCTL	DCCTL
LTERM	X		X
MSNAME	X		X
PTERM	X		X
TRAN	X		X

---

## Usage

/PURGE stops input for a particular communication line, terminal, or logical link path, or stops input messages destined for a particular transaction code. Messages can be sent to the specified communication line or terminal, and transactions can still be scheduled.

/PURGE validity checks all parameters entered by the terminal operator. If an error is detected on parameters that are independent of one another, only the invalid parameters are indicated as being in error and the /PURGE command processes the rest of the parameters.

/PURGE can be used to reset conditions previously set by the /START, /RSTART, /STOP, /PSTOP, or /MONITOR command.

### APPC

Is used to purge incoming transactions. All new requests by APPC/z/OS to schedule a transaction in IMS are rejected with TP\_Not\_Available\_No\_Retry. Transactions that IMS has already received are processed normally. Sending of output to LU 6.2 devices proceeds normally. Because /PURGE APPC does not call to APPC/z/OS<sup>1</sup>, the rejection of transaction scheduling is done by IMS's schedule exit only.

The /PURGE APPC command sets the PURGING status and resets conditions previously set by the /START APPC command. The command is rejected if the APPC is already in DISABLED, FAILED, STOPPED, or CANCEL state.

### FPPROG

Specifies the PSB name of the message-driven program to be terminated.

/PURGE takes message-driven programs out of wait-for-input mode and terminates them as soon as their load balancing group message queue is empty.

Use the FPPROG keyword with caution, because all Fast Path message-driven programs that are using a PSB with the same name will be terminated.

### FPREGION

Specifies the region identifier of the message-driven program to be terminated.

### LINE

Specifies the communication line for which input is to be stopped.

### LTERM

Specifies the logical terminal for which input is to be stopped.

---

1. The sense code returned to the LU 6.2 remote device for an incoming ATTACH to a purged APPC/IMS system is determined by APPC/z/OS, and it might differ from release to release. In general, the remote LU 6.2 application should wait for a period of time after rejection before any attempts to reestablish a session with IMS.

The `/PURGE LTERM` command is rejected for LTERMs in QLOCK state. (QLOCK indicates that the LTERM is locked from sending any further output or from receiving input that can create additional output for the same LTERM until the state is reset by a specific request received on the session.) `/PURGE LTERM` is also rejected for remote logical terminals. The LTERM supports generic parameters where the generic parameter specifies LTERMs that already exist.

The `/PURGE LTERM` command is valid only for LTERMs that belong to nodes that are logged on.

**MSNAME**

Specifies the logical link path in a multiple systems configuration for which input is to be stopped. The `MSNAME` keyword supports generic parameters.

**TRANSACTION**

Specifies the transaction code for which input messages are to be stopped.

The `TRANSACTION` parameter can be generic where the generic parameter specifies transactions that already exist.

---

## Examples

### Example 1 for `/PURGE` Command

Entry ET:

```
/PURGE FPPROG ALL
```

Response ET:

```
DFS058I PURGE COMMAND COMPLETED
```

Explanation: All message-driven programs are taken out of wait-for-input mode and terminated by PSB name as soon as their load balancing group message queue is empty.

### Example 2 for `/PURGE` Command

Entry ET:

```
/PURGE FPREGION ALL
```

Response ET:

```
DFS058I PURGE COMMAND COMPLETED
```

Explanation: All message-driven programs are taken out of wait-for-input mode and terminated by region identifier as soon as their load balancing group message queue is empty.

### Example 3 for `/PURGE` Command

Entry ET:

```
/PURGE LINE 4
```

Response ET:

```
DFS058I PURGE COMMAND COMPLETED
```

Response RT:

```
DFS059I TERMINAL PURGING
```

Explanation: All physical terminals associated with line 4 can receive output sent to them but are not allowed to enter input.

### Example 4 for **/PURGE Command**

Entry ET:

```
/PURGE LINE 5 7 400
```

Response ET:

```
DFS058I PURGE COMMAND COMPLETED EXCEPT LINE 400
```

Explanation: All physical terminals associated with line 5 and line 7 can receive output but are not allowed to enter input. Line 400 is an invalid line number.

### Example 5 for **/PURGE Command**

Entry ET:

```
/PURGE MSNAME BOSTON
```

Response ET:

```
DFS058I PURGE COMMAND COMPLETED
```

Explanation: All messages from a terminal (primary requests), except messages continuing a conversation, will not be queued for the destinations represented by MSNAME BOSTON. This includes all messages destined for remote transactions with the SYSID of the MSNAME, and for remote logical terminals associated with this MSNAME.

### Example 6 for **/PURGE Command**

Entry ET:

```
/PURGE TRANSACTION PIT, SEED
```

Response ET:

```
DFS058I PURGE COMMAND COMPLETED
```

Explanation: Transactions PIT and SEED can still be scheduled but input for these transactions cannot be queued unless the input originates as output from an application program.

### Example 7 for **/PURGE Command**

Entry ET:

```
/PURGE TRANSACTION ALL CLASS 2
```

Response ET:

```
DFS058I PURGE COMMAND COMPLETED
```

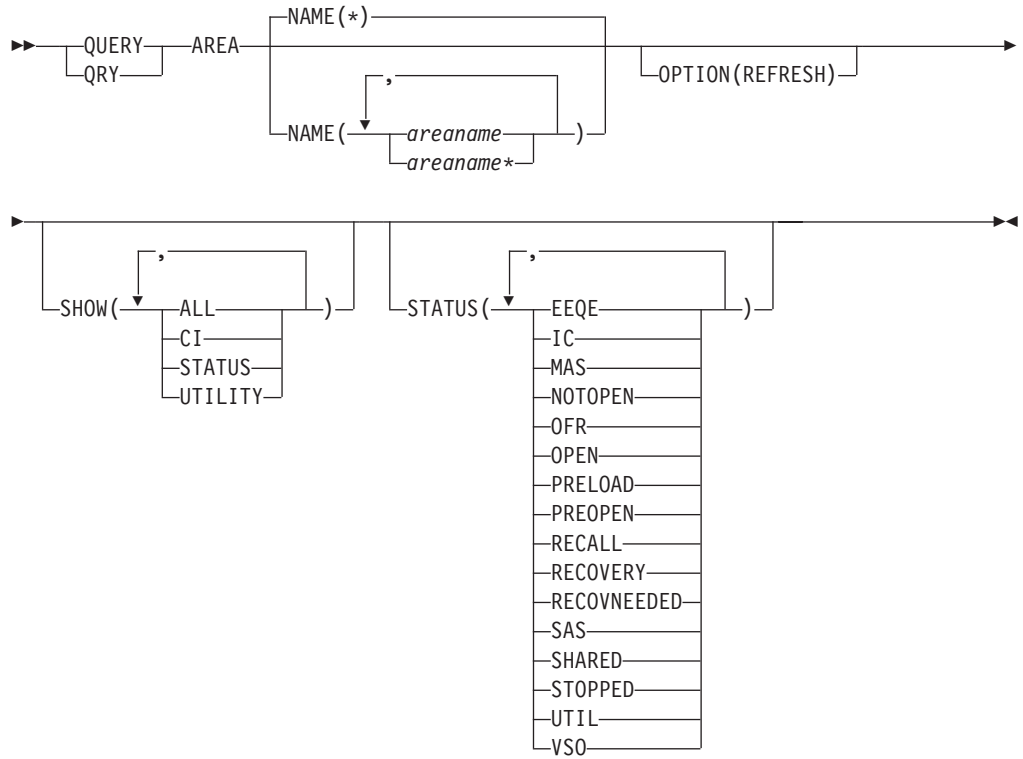
Explanation: All transactions associated with class 2 are marked as purged. No further transactions are queued from terminals.



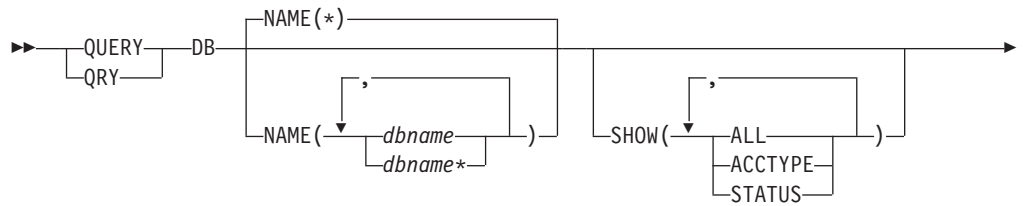
# Chapter 42. QUERY

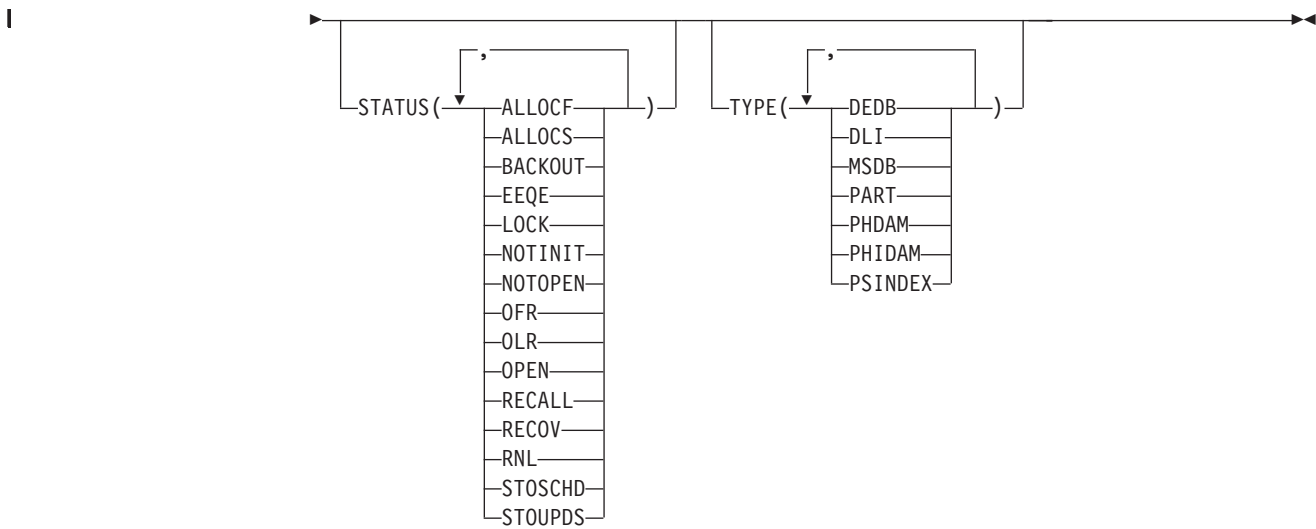
## Format

### QUERY AREA

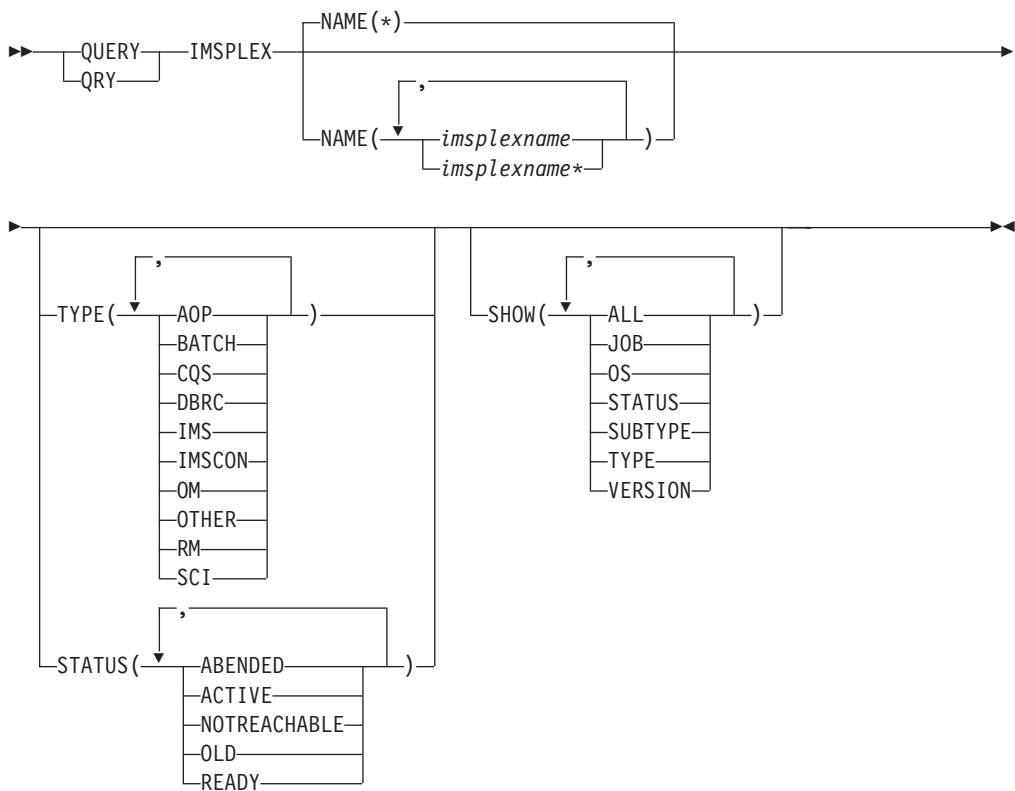


### QUERY DB



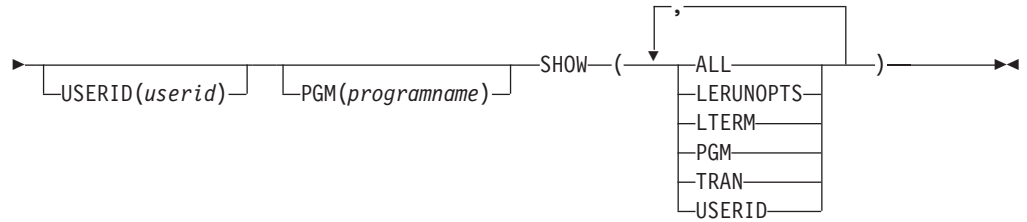


**QUERY IMSPLEX**

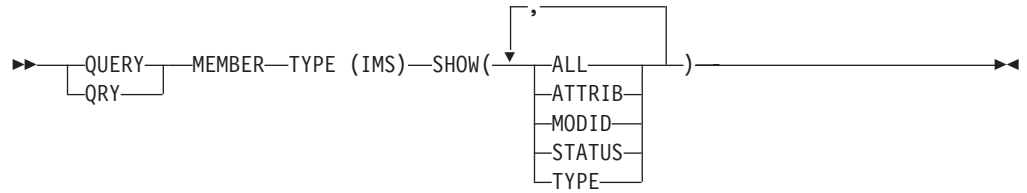


**QUERY LE**

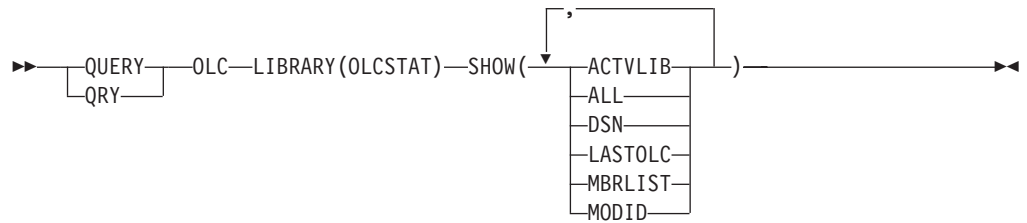




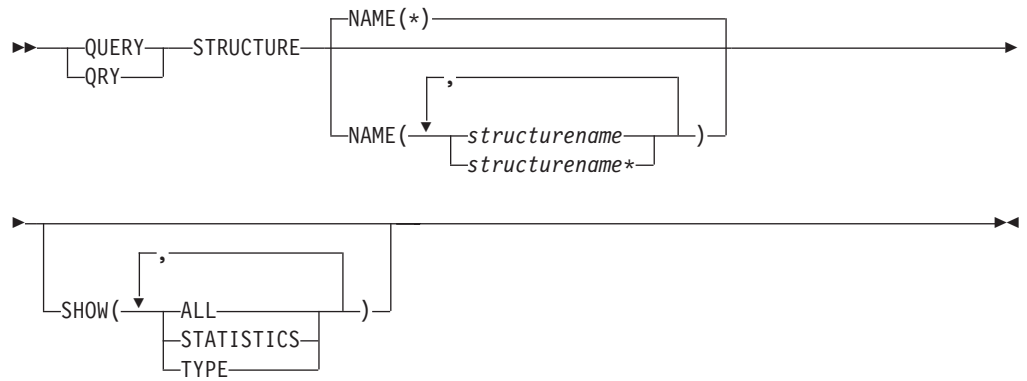
**QUERY MEMBER**



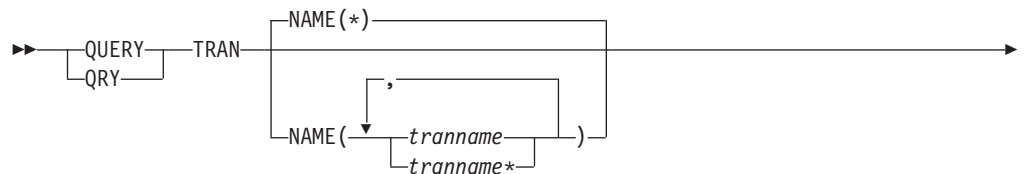
**QUERY OLC**

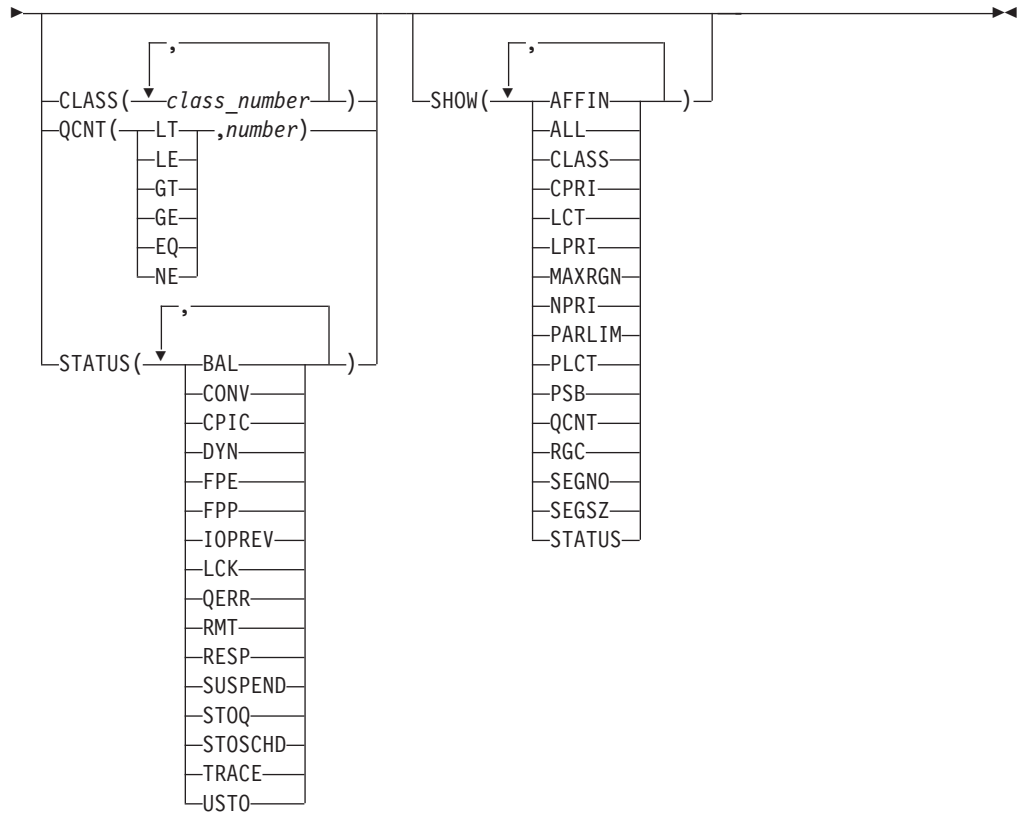


**QUERY STRUCTURE**



**QUERY TRAN**





## Environments and Keywords

Table 85, Table 86, Table 87 on page 469, Table 88 on page 469, Table 89 on page 469, Table 90 on page 469, Table 91 on page 469, and Table 92 on page 470 list the environments (DB/DC, DBCTL, and DCCTL) from which the QUERY command and keywords can be issued.

Table 85. Valid Environments for QUERY AREA Command and Keywords

Command / Keyword	DB/DC	DBCTL	DCCTL
QUERY AREA	X	X	
NAME	X	X	
OPTION	X	X	
SHOW	X	X	
STATUS	X	X	

Table 86. Valid Environments for QUERY DB Command and Keywords

Command / Keyword	DB/DC	DBCTL	DCCTL
QUERY DB	X	X	
NAME	X	X	
SHOW	X	X	
STATUS	X	X	
TYPE	X	X	

Table 87. Valid Environments for QUERY IMSPLEX Command and Keywords

Command / Keywords	DB/DC	DBCTL	DCCTL
<b>QUERY IMSPLEX</b> <sup>1</sup>			
NAME			
SHOW			
STATUS			
TYPE			

**Note:**

1. There are no environment indicators for the QUERY IMSPLEX command itself because it does not run in any IMS control or dependent region's address space. QUERY IMSPLEX is processed in an OM command processing environment.

Table 88. Valid Environments for the QUERY LE Command and Keywords

Command / Keywords	DB/DC	DBCTL	DCCTL
<b>QUERY LE</b>	X	X	X
LTERM	X	X	X
PGM	X	X	X
SHOW	X	X	X
TRAN	X	X	X
USERID	X	X	X

Table 89. Valid Environments for the QUERY MEMBER Command and Keywords

Command / Keywords	DB/DC	DBCTL	DCCTL
<b>QUERY MEMBER</b>	X	X	X
ALL	X	X	X
ATTRIB	X	X	X
SHOW	X	X	X
STATUS	X	X	X
TYPE	X	X	X

Table 90. Valid Environments for the QUERY OLC Command and Keywords

Command / Keywords	DB/DC	DBCTL	DCCTL
<b>QUERY OLC</b>	X	X	X
LIBRARY	X	X	X
SHOW	X	X	X

Table 91. Valid Environments for the QUERY STRUCTURE Command and Keywords

Command / Keywords	DB/DC	DBCTL	DCCTL
<b>QUERY STRUCTURE</b> <sup>1</sup>			
ALL			
NAME			
SHOW			

Table 91. Valid Environments for the QUERY STRUCTURE Command and Keywords (continued)

Command / Keywords	DB/DC	DBCTL	DCCTL
STATISTICS			
TYPE			

**Note:**

1. There are no environment indicators for the QUERY STRUCTURE command itself because it does not run in any IMS control or dependent region's address space. QUERY STRUCTURE is processed in an RM command processing environment.

Table 92. Valid Environments for the QUERY TRAN Command and Keywords

Command / Keywords	DB/DC	DBCTL	DCCTL
QUERY TRAN	X		X
CLASS	X		X
NAME	X		X
QCNT	X		X
SHOW	X		X
STATUS	X		X

## QUERY AREA

QUERY AREA is an IMSplex command that displays information about DEDB areas and area data set information. The command can only be specified through the Operations Manager (OM) API and can only be processed by DB/DC and DBCTL environments. In addition, the QUERY AREA command is valid on the XRF alternate as well as the RSR tracker.

The command syntax for this command is defined in XML and is available to automation programs which communicate with OM.

**NAME()**

Specifies the names of the specific areas that are to be processed or the group of areas whose names match the generic or wildcard parameter specified.

If the STATUS filter is not specified, all the area names that match the NAME parameter are returned. The NAME keyword is optional and the default is NAME(\*).

**OPTION()**

Specifies the additional functions to be performed.

The filters supported with the OPTION keyword are:

**REFRESH**

Refreshes the control interval information for the sequential dependent space and the independent overflow part of the direct addressable space for the area. OPTION(REFRESH) returns the CI information even if SHOW(CI) is not specified. OPTION(REFRESH) results in an I/O request that is performed only at the command master IMS if the area is open at the master. If the command is routed to multiple IMSs in the IMSplex, all non-master IMSs return

2 local CI information. The age of the local information shown on the  
 2 non-master IMS systems is at most as old as the value set on the  
 2 IOVFI=IMS control region parameter.

2 The CI information is returned only if the area is open at the IMS. If  
 2 the area is not open, blanks will be returned in the output CI  
 2 columns SDAT, SDAU, LDAT, and LDAU. If the area is not open at  
 2 the command master IMS, no refresh of the control intervals is  
 2 performed. The QRY AREA NAME(areaname) SHOW(CI)  
 2 OPTION(REFRESH) must be routed to the IMS where the area is open  
 2 to get the current SDEP and IOVF CI information.

2 If the default NAME(\*) is used with the REFRESH keyword, or if  
 2 large numbers of areas are processed with the REFRESH keyword,  
 2 performance may be affected depending on the size and number of  
 2 areas involved. If large areas, numerous areas, or both are  
 2 involved, the control regions processing the command may appear  
 2 stopped.

**SHOW()**

Specifies the area output fields to be returned. The area name, the DEDB name, and the area data set information are always returned along with the name of the IMS that created the output for the area and the completion code.

The filters supported with the SHOW keyword are:

**ALL** Returns all the output fields.

**CI** Control intervals.

Returns the total and unused control intervals defined for the sequential dependent space and the total and unused control intervals for the independent overflow part of the direct addressable space.

**STATUS**

Local area status.

If the area has an EEQE status, the count of I/O errors or write error EEQE for the area are also returned.

**UTILITY**

Returns the utility information about the utility that has the area open. The utility name, the total and available buffers in the private pool, and the utility UOW are returned.

**STATUS()**

Selects areas for display that match the NAME parameter and possess at least one of the specified area status.

This allows for additional filtering by area status. The output returned when the STATUS filter is specified includes the status of the area that caused the area name to be displayed even if the SHOW(STATUS) is not specified.

Status parameters are the same as the value displayed in the QUERY AREA output.

**QUERY AREA Output Fields**

Table 93 on page 472 shows the QUERY AREA output fields. The columns in the table are as follows:

**Short Label**

Contains the short label generated in the XML output.

**Keyword**

Identifies the keyword on the command that caused the field to be generated. N/A appears for output fields that are always returned.

**Scope** Identifies the scope of the output field.

**Meaning**

Provides a brief description of the output field.

*Table 93. Output Fields for QUERY AREA Command*

Short Label	Keyword	Scope	Meaning
ADS	N/A	N/A	ADS name The Area data set name or names associated with the AREA.
AREA	N/A	N/A	Area name The Area name is always returned.
CC	N/A	N/A	Completion code The completion code indicates whether or not IMS was able to process the command for the specified resource. The completion code is always returned. See the return, reason, and completion codes table for QUERY AREA.
DB	N/A	N/A	DEDB name The DEDB name associated with the Area.
LDAT	CI	LCL	Local value of the total control intervals for the independent overflow part of the direct addressable space. This value only appears if the area is open.
LDAU	CI	LCL	Local value of the unused control intervals for the independent overflow part of the direct addressable space. This value only appears if the area is open and the IOVF count ITASK was not disabled when IOVFI=1 on the IMS Control Region startup procedure was specified. When the command is processed on an RSR tracking IMS system, no information will be returned.  This value is refreshed during command processing if OPTION(IOVF) was entered on the QUERY AREA command. If OPTION(IOVF) was not specified, the value reflects the updated value from the last IOVF count ITASK.
LEQ	STATUS	LCL	Local value of the total control intervals for the independent overflow part of the direct addressable space. This value only appears if the area is open.
LPBA	UTILITY	LCL	Available number of private buffers in private pool.
LPBT	UTILITY	LCL	Total number of private buffers in private pool.



Table 93. Output Fields for QUERY AREA Command (continued)

Short Label	Keyword	Scope	Meaning
LSDT	CI	LCL	Local value of the total control intervals defined for the sequential dependent space. This value only appears if the area is open and SDEPs have been defined.
LSDU	CI	LCL	Local value of the unused control intervals defined for the sequential dependent space. This value only appears if the area is open, SDEPs have been defined, and unused SDEPs are available.
LSTT	STATUS	LCL	Local area status All area status conditions that apply are returned.
LUOW	UTILITY	LCL	The current utility UOW for HSREORG and HSSP, otherwise it is blank.
LUTIL	UTILITY	LCL	Utility name that has area OPEN.
MBR	N/A	N/A	IMSpIex member that built the output line IMS identifier of the IMS that built the output. The IMS identifier is always returned.

## QUERY AREA STATUS

Table 94 lists the database status conditions that may be returned when SHOW(STATUS) is specified.

Table 94. Status Conditions for QUERY AREA

Status	Meaning
EEQE	Area has EEQEs.
IC	Area image copy is active.
MAS	Area is on a multi-area structure.
NOTOPEN	Area is not open.
OFR	Area has online forward recovery in progress to bring it up to current tracking level.
OPEN	Area is open.
PRELOAD	Area is defined to be preloaded.
PREOPEN	Area is defined to be preopened.
RECALL	Area is in recall.
RECOVERY	Area recovery in progress.
RECOVNEEDED	Area needs recovery.
SAS	Area is on a single area structure.
SHARED	Area is shared.
STOPPED	Area is stopped.
UTIL	Area is open by a utility.
VSO	Area is a VSO area.

The following table, Table 95 on page 474, lists the ADS status conditions that can be returned for an ADS associated with an AREA when SHOW(STATUS) is specified.

Table 95. ADS Status Conditions for QUERY AREA

Status	Meaning
COPY-PHASE	The CREATE utility is active on this ADS and is in the COPY phase. The CREATE utility must complete before any action can be processed for the ADS.
FORMAT-PHASE	The CREATE utility is active on this ADS and is in the FORMAT phase. The CREATE utility must complete before any action can be processed for the ADS.
LONGBUSY	Area in long busy state or long busy recovery mode.
PREOPEN-FAIL	XRF PREOPEN failed for this ADS.
SEVERE-ERROR	The ADS had a severe I/O error (write error to 2nd CI).
UNAVAIL	The ADS is marked unavailable due to I/O errors.

## Return, Reason, and Completion Codes for the QUERY AREA Command

An IMS return and reason code is returned to OM by the QUERY AREA command. The OM return and reason codes that may be returned as a result of the QUERY AREA command are standard for all commands entered through the OM API. See *IMS Version 9: Common Service Layer Guide and Reference* for a list of the OM codes and the code meanings.

Table 96 includes the return and reason codes and a brief explanation of the QUERY AREA command. Table 97 on page 475 includes an explanation of the completion codes. Errors unique to the processing of QUERY AREA command are returned as completion codes. A completion code is returned for each action against an individual resource.

Table 96. Return and Reason Code for the QUERY AREA Command

Return Code	Reason Code	Meaning
X'00000000'	X'00000000'	The QUERY AREA command completed successfully.
X'00000008'	X'0000200C'	The QUERY AREA command is not processed because no resources matched any status specified on the STATUS( ) keyword.
X'00000008'	X'00002014'	The QUERY AREA command is not processed because an invalid character is found in the area name parameter.
X'00000008'	X'00002040'	More than one filter or keyword value is specified on the QUERY AREA command. Either more than one keyword or an invalid combination of filters was specified. Check the input command and reenter the correct combinations.
X'0000000C'	X'00003000'	The QUERY AREA command was successful for at least one resource name. The QUERY AREA command was not successful for one or more resource names. The completion code indicates the reason for the error with the resource name. The completion codes that can be returned by the QUERY AREA command are listed in the QUERY AREA Completion Code table.

Table 96. Return and Reason Code for the QUERY AREA Command (continued)

Return Code	Reason Code	Meaning
X'0000000C'	X'00003004'	The QUERY AREA command was not successful for all the resource name(s) specified. The completion code indicates the reason for the error with the resource name. The completion codes that can be returned by the QUERY AREA command are listed in the QUERY AREA completion code table.
X'00000010'	X'00004024'	The QUERY AREA command cannot be processed on a non-Fast Path system.
X'00000014'	X'00005004'	The QUERY AREA command processing terminated as a DFSOCMD response buffer could not be obtained.
X'00000014'	X'00005FFF'	The QUERY AREA command processing terminated due to an internal error.

Table 97. Completion Codes for the QUERY AREA Command

Completion Code	Meaning
0	The QUERY AREA command completed successfully for the resource.
10	Resource not found The resource name is unknown to the client that is processing the request. The resource name may have been typed in error or the resource may not be active at this time. Confirm that the correct spelling of the resource name is specified on the command.

## QUERY AREA Compared to Other Commands

Table 98 shows different instances of the QUERY AREA command and other IMS commands that perform similar functions.

Table 98. QUERY AREA Compared to Similar IMS Commands

QUERY AREA Command	Similar IMS Command
QUERY AREA	/DIS AREA area1...arean   ALL, /DIS STATUS AREA

## Examples for QUERY AREA Command

This section provides OM API and TSO SPOC input and output examples and explanations for the QUERY command.

### Example 1 for QUERY AREA

TSO SPOC input:

```
QRY AREA NAME(DB21AR10) SHOW(STATUS,CI)
```

TSO SPOC output:

AreaName	ADSName	MbrName	DBName	CC	SDep-T	SDep-U	Dir-T	Dir-U	EQCnt	Lc1Stat
DB21AR0		IMS2	DEDBJN21	0						PREOPEN,NOTOPEN
DB21AR0		SYS3	DEDBJN21	0	1303	1302	74	74		PREOPEN,OPEN,SHARED
DB21AR0	DB21AR01	SYS3		0					10	
DB21AR0	DB21AR02	SYS3		0					10	

OM API input:

```
CMD(QRY AREA NAME(DB21AR10) SHOW(STATUS,CI))
```

OM API output:

```

<imsout>
<ctl>
<omname>OM10M </omname>
<omvsn>1.2.0</omvsn>
<xmlvsn>1 </xmlvsn>
<statime>2003.132 16:10:52.861123</statime>
<stotime>2003.132 16:10:52.862301</stotime>
<staseq>B968A1B61BEC302F</staseq>
<stoseq>B968A1B61C35D38E</stoseq>
<rqsttkn1>USRT005 10091052</rqsttkn1>
<rc>00000000</rc>
<rsn>00000000</rsn>
</ctl>
<cmd>
<master>IMS2 </master>
<userid>USRT005 </userid>
<verb>QRY </verb>
<kwd>AREA </kwd>
<input>QRY AREA NAME(DB21AR0) SHOW(CI,STATUS) </input>
</cmd>
<cmdrsphdr>
<hdr s1bl="AREA" l1bl="AreaName" scope="LCL" sort="a" key="1"
  scroll="no" len="8" dtype="CHAR" align="left" skipb="no" />
<hdr s1bl="ADS" l1bl="ADSName" scope="LCL" sort="a" key="2" scroll="no"
  len="8" dtype="CHAR" align="left" skipb="yes" />
<hdr s1bl="MBR" l1bl="MbrName" scope="LCL" sort="a" key="3" scroll="no"
  len="8" dtype="CHAR" align="left" skipb="no" />
<hdr s1bl="DB" l1bl="DBName" scope="LCL" sort="n" key="0" scroll="no"
  len="8" dtype="CHAR" align="left" skipb="no" />
<hdr s1bl="CC" l1bl="CC" scope="LCL" sort="n" key="0" scroll="yes"
  len="4" dtype="INT" align="right" skipb="no" />
<hdr s1bl="LSDT" l1bl="SDep-T" scope="LCL" sort="n" key="0"
  scroll="yes" len="7" dtype="INT" align="right" skipb="no" />
<hdr s1bl="LSDU" l1bl="SDep-U" scope="LCL" sort="n" key="0"
  scroll="yes" len="7" dtype="INT" align="right" skipb="no" />
<hdr s1bl="LDAT" l1bl="Dir-T" scope="LCL" sort="n" key="0" scroll="yes"
  len="7" dtype="INT" align="right" skipb="no" />
<hdr s1bl="LDAU" l1bl="Dir-U" scope="LCL" sort="n" key="0" scroll="yes"
  len="7" dtype="INT" align="right" skipb="no" />
<hdr s1bl="LEQ" l1bl="EQCnt" scope="LCL" sort="n" key="0" scroll="yes"
  len="5" dtype="INT" align="right" skipb="yes" />
<hdr s1bl="LSTT" l1bl="LclStat" scope="LCL" sort="n" key="0"
  scroll="yes" len="*" dtype="CHAR" align="left" skipb="no" />
</cmdrsphdr>
<cmdrspdata>
<rsp>AREA(DB21AR0 ) MBR(IMS2 ) DB(DEDBJN21) CC( 0) LSDT( ) LSDU( )
  LDAT( ) LDAU( ) LSTT(PREOPEN,NOTOPEN) </rsp>
<rsp>AREA(DB21AR0 ) MBR(SYS3 ) DB(DEDBJN21) CC( 0) LSDT( 1303)
  LSDU( 1302) LDAT( 74) LDAU( 74) LSTT(PREOPEN,OPEN,SHARED)
</rsp>
<rsp>AREA(DB21AR0 ) ADS(DB21AR01) MBR(SYS3 ) DB( ) CC( 0) LEQ( 10) </rsp>
<rsp>AREA(DB21AR0 ) ADS(DB21AR02) MBR(SYS3 ) DB( ) CC( 0) LEQ( 10) </rsp>
</cmdrspdata>
</imsout>

```

Explanation: The command returns the CI and STATUS information for the area, DB21AR0, from all the IMSs in the IMSplex. Any ADS information, if available, is also returned by each IMS.

**Example 2 for QUERY AREA Command**

TSO SPOC input:

```
QRY AREA NAME(DB21AR1*) STATUS(SHARED)
```

TSO SPOC output:

```

2      Log for . . : QRY AREA NAME(DB21AR1*) STATUS(SHARED)
2      IMSplex . . . . . : PLEX1
2      Routing . . . . . :
2      Start time. . . . . : 2003.132 09:13:37.93
2      Stop time . . . . . : 2003.132 09:13:37.94
2      Return code . . . . : 0200000C
2      Reason code . . . . : 00003000
2      Command master. . : IMS2
    
```

```

2      Return Reason
2      MbrName Code Code
2      -----
2      IMS2      00000008 0000200C
    
```

AreaName	ADSName	MbrName	DBName	CC	EQCnt	Lc1Stat
DB21AR10		SYS3	DEDBJN21	0		PREOPEN,OPEN,SHARED
DB21AR10	DB21AR10	SYS3		0	10	
DB21AR11		SYS3	DEDBJN21	0		PREOPEN,OPEN,SHARED
DB21AR11	DB21AR11	SYS3		0	10	

```

2      OM API input:
2      CMD(QRY AREA NAME(DB21AR1*) STATUS(SHARED))
    
```

```

2      OM API output:
2      <imsout>
2      <ctl>
2      <omname>OM10M </omname>
2      <omvsn>1.2.0</omvsn>
2      <xmlvsn>1 </xmlvsn>
2      <statime>2003.132 16:13:37.940282</statime>
2      <stotime>2003.132 16:13:37.940959</stotime>
2      <staseq>B968A2538A73A707</staseq>
2      <stoseq>B968A2538A9DF027</stoseq>
2      <rqsttkn1>USRT005 10091337</rqsttkn1>
2      <rc>0200000C</rc>
2      <rsn>00003000</rsn>
2      </ctl>
2      <cmderr>
2      <mb name="IMS2 ">
2      <typ>IMS </typ>
2      <styp>DBDC </styp>
2      <rc>00000008</rc>
2      <rsn>0000200C</rsn>
2      </mb>
2      </cmderr>
2      <cmd>
2      <master>IMS2 </master>
2      <userid>USRT005 </userid>
2      <verb>QRY </verb>
2      <kwd>AREA </kwd>
2      <input>QRY AREA NAME(DB21AR1*) STATUS(SHARED) </input>
2      </cmd>
2      <cmdrsphdr>
2      <hdr s1b1="AREA" l1b1="AreaName" scope="LCL" sort="a" key="1"
2      scroll="no" len="8" dtype="CHAR" align="left" skipb="no" />
2      <hdr s1b1="ADS" l1b1="ADSName" scope="LCL" sort="a" key="2" scroll="no"
2      len="8" dtype="CHAR" align="left" skipb="yes" />
2      <hdr s1b1="MBR" l1b1="MbrName" scope="LCL" sort="a" key="3" scroll="no"
2      len="8" dtype="CHAR" align="left" skipb="no" />
2      <hdr s1b1="DB" l1b1="DBName" scope="LCL" sort="n" key="0" scroll="no"
2      len="8" dtype="CHAR" align="left" skipb="no" />
2      <hdr s1b1="CC" l1b1="CC" scope="LCL" sort="n" key="0" scroll="yes"
2      len="4" dtype="INT" align="right" skipb="no" />
2      <hdr s1b1="LEQ" l1b1="EQCnt" scope="LCL" sort="n" key="0" scroll="yes"
2      len="5" dtype="INT" align="right" skipb="yes" />
2      <hdr s1b1="LSTT" l1b1="Lc1Stat" scope="LCL" sort="n" key="0"
    
```

```

2          scroll="yes" len="*" dtype="CHAR" align="left" skipb="no" />
2      </cmdrsphdr>
2      <cmdrspdata>
2      <rsp>AREA(DB21AR10) MBR(SYS3      ) DB(DEDBJN21) CC(  0)
2          LSTT(PREOPEN,OPEN,SHARED) </rsp>
2      <rsp>AREA(DB21AR10) ADS(DB21AR10) MBR(SYS3      ) DB(  ) CC(  0) LEQ( 10) </rsp>
2      <rsp>AREA(DB21AR11) MBR(SYS3      ) DB(DEDBJN21) CC(  0)
2          LSTT(PREOPEN,OPEN,SHARED) </rsp>
2      <rsp>AREA(DB21AR11) ADS(DB21AR11) MBR(SYS3      ) DB(  ) CC(  0) LEQ( 10) </rsp>
2      </cmdrspdata>
2      </imsout>

```

Explanation: The command returns all the areas that match the wildcard name and have a status of SHARED. The status is also returned. The ADS information for the AREAs is also returned if it is available. Command response lines are not returned from IMS2 because no AREAs match the status specified. A return and reason code is returned from IMS2.

## QUERY DB

QUERY DB is an IMSplex command that displays information about databases. The command can only be specified through the OM API and can only be processed in DB/DC and DBCTL environments. In addition, QUERY DB is valid on the XRF alternate as well as the RSR tracker.

The command syntax for QUERY DB is defined in XML and is available to automation programs which communicate with OM.

### NAME()

Specifies the names of the specific databases that are to be processed or indicates that the command is to be applied to all the databases in the system. NAME(\*) is the default.

If the STATUS filter is not specified, all the database names that match the NAME parameter are returned.

Wildcard parameters can be specified. The database names that match the generic or wildcard parameters are processed. Response lines are returned for all the databases names that are processed.

The database name specified can be a HALDB master or a HALDB partition. If the database name is the HALDB master, response lines are returned for the HALDB master and all of its partitions. If the database name is the HALDB partition, response lines are returned for the HALDB master and the partition name if the HALDB master has not been taken offline.

If the database name specified is a DEDB name, response lines are returned for the DEDB name and all the DEDB areas.

### SHOW()

Specifies the database output fields to be returned. The database name and type are always returned along with the name of the IMS that created the output for the database and the completion code. The filters supported with the SHOW keyword are:

**ALL** Returns all the output fields.

### ACCTYP

Type of access to database which can be one of the following:

- BRWS - Read only

- EXCL - Exclusive
- READ - Read
- UPD - Update

**STATUS**

Local database status.

**STATUS()**

Selects databases for display that match the NAME parameter and possess at least one of the specified database status. This allows for additional filtering by database status.

The output returned when the STATUS filter is specified includes the status of the database that caused the database name to be displayed even if the SHOW(STATUS) is not specified.

Status parameters are the same as the value displayed in the QUERY DB output.

**TYPE()**

Selects databases for display that match the NAME parameter and specific TYPE filter. The supported TYPE filters are:

- DEDB
- DLI
- MSDB
- PART
- PHDAM
- PHIDAM
- PSINDEX

TYPE can be specified with the STATUS filter. If both TYPE and STATUS filters are specified, a response line is returned for each database that matches the NAME parameter, the TYPE, and STATUS filter specified.

**QUERY DB Output Fields**

Table 99 shows the QUERY DB output fields. The columns in the table are as follows:

**Short Label**

Contains the short label generated in the XML output.

**Keyword**

Identifies the keyword on the command that caused the field to be generated. N/A appears for output fields that are always returned.

**Scope** Identifies the scope of the output field.

**Meaning**

Provides a brief description of the output field.

*Table 99. Output Fields for QUERY DB Command*

Short Label	Keyword	Scope	Meaning
AREA	N/A	N/A	Area name. The Area name is returned if there are one or more response lines for DEDB areas in the output.

Table 99. Output Fields for QUERY DB Command (continued)

Short Label	Keyword	Scope	Meaning
CC	N/A	N/A	Completion code. The completion code indicates whether or not IMS was able to process the command for the specified resource. The completion code is always returned. Refer to the return, reason, and completion codes for QUERY DB.
DB	N/A	N/A	Database name. The database name is always returned.
LACC	ACCTYP	LCL	Type of access to database which can be one of the following: <ul style="list-style-type: none"> <li>• BRWS - Read only</li> <li>• EXCL - Exclusive</li> <li>• READ - Read</li> <li>• UPD - Update</li> </ul>
LSTT	STATUS	LCL	Local database status. All database status conditions that apply are returned.
MBR	N/A	N/A	IMSplex member that built the output line. The IMS identifier of the IMS that built the output. The IMS identifier is always returned.
PART	N/A	N/A	HALDB partition name. The partition name is returned if there is one or more response lines for HALDB partitions in the output.
TYP	N/A	N/A	The type of the database. <ul style="list-style-type: none"> <li>• AREA - indicates the response line is for a DEDB area</li> <li>• blank - if database status is NOTINIT</li> <li>• DEDB - indicates the database is a DEDB</li> <li>• DL/I - indicates the database is a full function non-partitioned database</li> <li>• MSNR - indicates the database is an MSDB non-related database</li> <li>• MSRD - indicates the database is an MSDB related dynamic database</li> <li>• MSRF - indicates the database is an MSDB related fixed database</li> <li>• PART - indicates the database is a HALDB partition</li> <li>• PHDAM - indicates the database is the master of a partitioned HDAM database</li> <li>• PHIDAM - indicates the database is the master of a Partitioned HIDAM database</li> <li>• PSINDEX - indicates the database is the master of a partitioned secondary index database</li> </ul>

### QUERY DB Status

Table 100 on page 481 lists the database status conditions that may be returned when SHOW(STATUS) is specified.



Table 100. Database Status Conditions for the QUERY DB Command

Status	Meaning
ALLOCF	Database has an allocation failure.
ALLOCS	Database is allocated successfully.
BACKOUT	Incomplete backout exists for the database which prevents the use of the database.
EEQE	One or more extended error queue elements exist for the database.
LOCK	Database is locked.
NOTINIT	Database directory initialization failed.
NOTOPEN	Database is not open.
OFR	Database has online forward recovery in progress to bring it up to current tracking level.
OLR	Database partition has Online Reorganization in progress locally.
OPEN	Database is open.
RECALL	Database recall is in progress.
RECOV	Database recovery is in progress.
RNL	Randomizer not loaded for the DEDB database.
STOSCHD	Database scheduling is stopped.
STOUPDS	Database updates are stopped because an UPDATE DB STOP(UPDATES) command or a /DBDUMP DATABASE command was issued.

## Return, Reason, and Completion Codes for the QUERY DB Command

An IMS return and reason code is returned to OM by the QUERY DB command. The OM return and reason codes that may be returned as a result of the QUERY DB command are standard for all commands entered through the OM API. See *IMS Version 9: Common Service Layer Guide and Reference* for a list of the OM codes and the code meanings.

Table 101 includes the return and reason codes and a brief explanation of the QUERY DB command. Table 102 on page 482 includes an explanation of the completion codes. Errors unique to the processing of QUERY DB command are returned as completion codes. A completion code is returned for each action against an individual resource.

Table 101. Return and Reason Codes for the QUERY DB Command

Return Code	Reason Code	Meaning
X'00000000'	X'00000000'	The QUERY DB command completed successfully.
X'00000004'	X'00001010'	The QUERY DB command is not processed because no resources were found that matched the NAME parameter and the STATUS or TYPE filter.
X'00000008'	X'00002014'	The QUERY DB command is not processed because an invalid character is found in the database name parameter.
X'00000008'	X'00002040'	More than one filter or keyword value is specified on the QUERY DB command. Either more than one keyword or an invalid combination of filters was specified. Check the input command and reenter the correct combinations.

Table 101. Return and Reason Codes for the QUERY DB Command (continued)

Return Code	Reason Code	Meaning
X'0000000C'	X'00003000'	The QUERY DB command was successful for at least one resource name. The QUERY DB command was not successful for one or more resource names. The completion code indicates the reason for the error with the resource name. The completion codes that can be returned by the QUERY DB command are listed in the QUERY DB completion code table.
X'0000000C'	X'00003004'	The QUERY DB command was not successful for all the resource name(s) specified. The completion code indicates the reason for the error with the resource name. The completion codes that can be returned by the QUERY DB command are listed in the QUERY DB completion code table.
X'00000014'	X'00005004'	The QUERY DB command processing terminated as a DFSOCMD response buffer could not be obtained.
X'00000014'	X'00005FFF'	The QUERY DB command processing terminated due to an internal error.

Table 102. Completion Codes for the QUERY DB Command

Completion Code	Meaning
0	The QUERY DB command completed successfully for the resource.
10	Resource not found The resource name is unknown to the client that is processing the request. The resource name may have been typed in error or the resource may not be active at this time. Confirm the correct spelling of the resource name specified on the command.

## QUERY DB Compared to Other Commands

Table 103 shows different instances of the QUERY DB command and other IMS commands that perform similar functions.

Table 103. QUERY DB Command Compared to Similar Commands

QUERY DB Command	Similar IMS Commands
QUERY DB	/DIS DB dbname1...dbnamen   ALL, /DIS STATUS DB

## Examples for QUERY DB Command

This section provides OM API and TSO SPOC input and output examples and explanations for the QUERY command.

### Example 1 for QUERY DB Command

TSO SPOC input:

```
QRY DB NAME(BE3PARTS,DEDBJN21,DBHDOJ01) SHOW(ALL)
```

TSO SPOC output:

```
DBName AreaName PartName MbrName CC TYPE LAcc Lc1Stat
BE3PARTS          IMSA      0 DL/I    UPD NOTOPEN
BE3PARTS          IMS1      0 DL/I    EXCL NOTOPEN
DBHDOJ01          IMSA      0 PHDAM   UPD
DBHDOJ01          PDHDOJA  IMSA      0 PART    UPD NOTOPEN
```

```

DBHDOJ01      PDHDOJB  IMSA      0 PART    UPD  NOTOPEN
DBHDOJ01      IMS1      0 PHDAM   UPD
DBHDOJ01      PDHDOJA  IMS1      0 PART    UPD  NOTOPEN
DBHDOJ01      PDHDOJB  IMS1      0 PART    UPD  NOTOPEN
DEDBJN21      IMSA      0 DEDB    UPD  NOTOPEN
DEDBJN21 DB21AR0  IMSA      0 AREA    NOTOPEN
DEDBJN21 DB21AR1  IMSA      0 AREA    NOTOPEN
DEDBJN21      IMS1      0 DEDB    UPD  NOTOPEN
DEDBJN21 DB21AR0  IMS1      0 AREA    NOTOPEN
DEDBJN21 DB21AR1  IMS1      0 AREA    NOTOPEN
    
```

OM API input:

```

CMD (QRY DB NAME(BE3PARTS,DEDBJN21,DBHDOJ01) SHOW(ALL))
    
```

OM API output:

```

<imsout>
<ctl>
<omname>OM10M </omname>
<omvsn>1.2.0</omvsn>
<xmlvsn>1 </xmlvsn>
<statime>2003.128 19:20:29.755526</statime>
<stotime>2003.128 19:20:29.756748</stotime>
<staseq>B963C4A21E086F82</staseq>
<stoseq>B963C4A21E54C862</stoseq>
<rqsttkn1>USRT005 10122029</rqsttkn1>
<rc>00000000</rc>
<rsn>00000000</rsn>
</ctl>
<cmd>
<master>IMSA </master>
<userid>USRT005 </userid>
<verb>QRY </verb>
<kwd>DB </kwd>
<input>QRY DB NAME(BE3PARTS,DEDBJN21,DBHDOJ01) SHOW(ALL) </input>
</cmd>
<cmdrsphdr>
<hdr s1b1="DB" l1b1="DBName" scope="LCL" sort="a" key="1" scroll="no"
  len="8" dtype="CHAR" align="left" skipb="no" />
<hdr s1b1="AREA" l1b1="AreaName" scope="LCL" sort="a" key="3"
  scroll="no" len="8" dtype="CHAR" align="left" skipb="yes" />
<hdr s1b1="PART" l1b1="PartName" scope="LCL" sort="a" key="4"
  scroll="no" len="8" dtype="CHAR" align="left" skipb="yes" />
<hdr s1b1="MBR" l1b1="MbrName" scope="LCL" sort="a" key="2" scroll="no"
  len="8" dtype="CHAR" align="left" skipb="no" />
<hdr s1b1="CC" l1b1="CC" scope="LCL" sort="n" key="0" scroll="yes"
  len="4" dtype="INT" align="right" skipb="no" />
<hdr s1b1="TYP" l1b1="TYPE" scope="LCL" sort="n" key="0" scroll="yes"
  len="8" dtype="CHAR" align="left" skipb="no" />
<hdr s1b1="LACC" l1b1="LAcc" scope="LCL" sort="n" key="0" scroll="yes"
  len="*" dtype="CHAR" align="left" skipb="no" />
<hdr s1b1="LSTT" l1b1="LclStat" scope="LCL" sort="n" key="0"
  scroll="yes" len="*" dtype="CHAR" align="left" skipb="no" />
</cmdrsphdr>
<cmdrspdata>
<rsp>DB(BE3PARTS)MBR(IMSA ) CC( 0) TYP(DL/I ) LACC(UPD)
  LSTT(NOTOPEN) </rsp>
<rsp>DB(DEDBJN21)MBR(IMSA ) CC( 0) TYP(DEDB ) LACC(UPD)
  LSTT(NOTOPEN) </rsp>
<rsp>DB(DEDBJN21)AREA(DB21AR0 ) MBR(IMSA ) CC( 0) TYP(AREA)
  LSTT(NOTOPEN) </rsp>
<rsp>DB(DEDBJN21)AREA(DB21AR1 ) MBR(IMSA ) CC( 0) TYP(AREA)
  LSTT(NOTOPEN) </rsp>
<rsp>DB(DBHDOJ01)MBR(IMSA ) CC( 0) TYP(PHDAM ) LACC(UPD) </rsp>
<rsp>DB(DBHDOJ01)PART(PDHDOJA ) MBR(IMSA ) CC( 0) TYP(PART) LACC(UPD) LSTT(NOTOPEN) </rsp>
<rsp>DB(DBHDOJ01)PART(PDHDOJB ) MBR(IMSA ) CC( 0) TYP(PART)
  LACC(UPD) LSTT(NOTOPEN) </rsp>
    
```

```

| <rsp>DB(BE3PARTS)MBR(IMS1 ) CC( 0) TYP(DL/I ) LACC(EXCL)
| <rsp>DB(DEDBJN21)MBR(IMS1 ) CC( 0) TYP(DEDDB ) LACC(UPD)
| LSTT(NOTOPEN) </rsp>
| <rsp>DB(DEDBJN21)AREA(DB21AR0 ) MBR(IMS1 ) CC( 0) TYP(AREA)
| LSTT(NOTOPEN) </rsp>
| <rsp>DB(DEDBJN21)AREA(DB21AR1 ) MBR(IMS1 ) CC( 0) TYP(AREA)
| LSTT(NOTOPEN) </rsp>
| <rsp>DB(DBHDOJ01)MBR(IMS1 ) CC( 0) TYP(PHDAM ) LACC(UPD) </rsp>
| <rsp>DB(DBHDOJ01)PART(PDHDOJA ) MBR(IMS1 ) CC( 0) TYP(PART)
| LACC(UPD) LSTT(NOTOPEN) </rsp>
| <rsp>DB(DBHDOJ01)PART(PDHDOJB ) MBR(IMS1 ) CC( 0) TYP(PART)
| LACC(UPD) LSTT(NOTOPEN) </rsp>
| </cmdrspdata>
| </imsout>

```

Explanation: The QRY DB NAME(BE3PARTS,DEDBJN21,DBHDOJ01) SHOW(ALL) command returns all the information for the databases BE3PARTS, DEDBJN21 and DBHDOJ01. The database DEDBJN21 is a DEDB and so the DEDB database and all its areas are also returned. The database DBHDOJ01 is a partitioned HDAM database master and so the master database and all its partition are returned.

**Example 2 for QUERY DB**

TSO SPOC input:

```
QRY DB TYPE(PSINDEX)
```

TSO SPOC output:

DBName	PartName	MbrName	CC	TYPE
D2XHDJ05		IMSA	0	PSINDEX
D2XHDJ05	P2XHDJA	IMSA	0	PART
D2XHDJ05		IMS1	0	PSINDEX
D2XHDJ05	P2XHDJA	IMS1	0	PART
D2XHIDK5		IMSA	0	PSINDEX
D2XHIDK5	P2XIDKA	IMSA	0	PART
D2XHIDK5		IMS1	0	PSINDEX
D2XHIDK5	P2XIDKA	IMS1	0	PART

OM API input:

```
CMD(QRY DB TYPE(PSINDEX))
```

OM API output:

```

<imsout>
<ctl>
<omname>OM10M </omname>
<omvsn>1.2.0</omvsn>
<xmlvsn>1 </xmlvsn>
<statime>2003.128 19:36:03.155700</statime>
<stotime>2003.128 19:36:03.157109</stotime>
<staseq>B963C81C46EF4688</staseq>
<stoseq>B963C81C47475E88</stoseq>
<rqsttkn1>USRT005 10123603</rqsttkn1>
<rc>00000000</rc>
<rsn>00000000</rsn>
</ctl>
<cmd>
<master>IMSA </master>
<userid>USRT005 </userid>
<verb>QRY </verb>
<kwd>DB </kwd>
<input>QRY DB TYPE(PSINDEX) </input>
</cmd>
<cmdrsphdr>
<hdr s1b1="DB" l1b1="DBName" scope="LCL" sort="a" key="1" scroll="no"
len="8" dtype="CHAR" align="left" skipb="no" />

```

```

2 <hdr s1bl="AREA" l1bl="AreaName" scope="LCL" sort="a" key="3"
2 scroll="no" len="8" dtype="CHAR" align="left" skipb="yes" />
2 <hdr s1bl="PART" l1bl="PartName" scope="LCL" sort="a" key="4"
2 scroll="no" len="8" dtype="CHAR" align="left" skipb="yes" />
2 <hdr s1bl="MBR" l1bl="MbrName" scope="LCL" sort="a" key="2" scroll="no"
2 len="8" dtype="CHAR" align="left" skipb="no" />
2 <hdr s1bl="CC" l1bl="CC" scope="LCL" sort="n" key="0" scroll="yes"
2 len="4" dtype="INT" align="right" skipb="no" />
2 <hdr s1bl="TYP" l1bl="TYPE" scope="LCL" sort="n" key="0" scroll="yes"
2 len="8" dtype="CHAR" align="left" skipb="no" />
2 </cmdrsphdr>
2 <cmdrspdata>
2 <rsp>DB(D2XHDJ05)MBR(IMSA ) CC( 0) TYP(PSINDEX ) </rsp>
2 <rsp>DB(D2XHDJ05)PART(P2XHDJA ) MBR(IMSA ) CC( 0) TYP(PART) </rsp>
2 <rsp>DB(D2XHIDK5)MBR(IMSA ) CC( 0) TYP(PSINDEX ) </rsp>
2 <rsp>DB(D2XHIDK5)PART(P2XIDKA ) MBR(IMSA ) CC( 0) TYP(PART) </rsp>
2 <rsp>DB(D2XHDJ05)MBR(IMS1 ) CC( 0) TYP(PSINDEX ) </rsp>
2 <rsp>DB(D2XHDJ05)PART(P2XHDJA ) MBR(IMS1 ) CC( 0) TYP(PART) </rsp>
2 <rsp>DB(D2XHIDK5)MBR(IMS1 ) CC( 0) TYP(PSINDEX ) </rsp>
2 <rsp>DB(D2XHIDK5)PART(P2XIDKA ) MBR(IMS1 ) CC( 0) TYP(PART) </rsp>
2 </cmdrspdata>
2 </imsout>

```

2 Explanation: The QRY DB TYPE(PSINDEX) command returns information of all the  
2 databases defined as TYPE(PSINDEX). The master database name and all its  
2 partitions along with the completion code, the IMS that processed the command,  
2 and the database type are returned.

2 **Example 3 of QUERY DB**

2 TSO SPOC input:

```

2 QRY DB STATUS(STOUPDS)

```

2 TSO SPOC output:

DBName	PartName	MbrName	CC	TYPE	Lc1Stat
BANKATMS		IMS1	0		NOTINIT,NOTOPEN,STOSCHD,STOUPDS
DBHDOJ01	PDHDOJA	IMSA	0	PART	NOTOPEN,STOUPDS
DBHDOJ01	PDHDOJA	IMS1	0	PART	NOTOPEN,STOUPDS

2 OM API input:

```

2 CMD(QRY DB STATUS(STOUPDS))

```

2 OM API output:

```

2 <imsout>
2 <ctl>
2 <omname>OM10M </omname>
2 <omvsn>1.2.0</omvsn>
2 <xmlvsn>1 </xmlvsn>
2 <statime>2003.128 20:00:38.874790</statime>
2 <stotime>2003.128 20:00:38.876039</stotime>
2 <staseq>B963CD9BA1EA6F66</staseq>
2 <stoseq>B963CD9BA238752D</stoseq>
2 <rqsttkn1>USRT005 10130038</rqsttkn1>
2 <rc>00000000</rc>
2 <rsn>00000000</rsn>
2 </ctl>
2 <cmd>
2 <master>IMSA </master>
2 <userid>USRT005 </userid>
2 <verb>QRY </verb>
2 <kwd>DB </kwd>
2 <input>QRY DB STATUS(STOUPDS) </input>
2 </cmd>
2 <cmdrsphdr>

```

```

2 <hdr s1bl="DB" l1bl="DBName" scope="LCL" sort="a" key="1" scroll="no"
2   len="8" dtype="CHAR" align="left" skipb="no" />
2 <hdr s1bl="AREA" l1bl="AreaName" scope="LCL" sort="a" key="3"
2   scroll="no" len="8" dtype="CHAR" align="left" skipb="yes" />
2 <hdr s1bl="PART" l1bl="PartName" scope="LCL" sort="a" key="4"
2   scroll="no" len="8" dtype="CHAR" align="left" skipb="yes" />
2 <hdr s1bl="MBR" l1bl="MbrName" scope="LCL" sort="a" key="2" scroll="no"
2   len="8" dtype="CHAR" align="left" skipb="no" />
2 <hdr s1bl="CC" l1bl="CC" scope="LCL" sort="n" key="0" scroll="yes"
2   len="4" dtype="INT" align="right" skipb="no" />
2 <hdr s1bl="TYP" l1bl="TYPE" scope="LCL" sort="n" key="0" scroll="yes"
2   len="8" dtype="CHAR" align="left" skipb="no" />
2 <hdr s1bl="LSTT" l1bl="LclStat" scope="LCL" sort="n" key="0"
2   scroll="yes" len="*" dtype="CHAR" align="left" skipb="no" />
2 </cmdrsphdr>
2 <cmdrspdata>
2 <rsp>DB(DBHDOJ01)PART(PDHDOJA ) MBR(IMSA ) CC( 0) TYP(PART )
2   LSTT(NOTOPEN,STOUPDS) </rsp>
2 <rsp>DB(BANKATMS)MBR(IMS1 ) CC( 0) TYP( )
2   LSTT(NOTINIT,NOTOPEN,STOSCHD,STOUPDS) </rsp>
2 <rsp>DB(DBHDOJ01)PART(PDHDOJA ) MBR(IMS1 ) CC( 0) TYP(PART )
2   LSTT(NOTOPEN,STOUPDS) </rsp>
2 </cmdrspdata>
2 </imsout>

```

Explanation: The QRY DB STATUS(STOUPDS) command returns information of all the databases that have the status STOUPDS. The database name, the completion code, the IMS that processed the command, and the database status are returned. Because the database, PDHDOJA, is a partition database that has the STOUPDS status, the HALDB master name is also returned in the DBNAME column.

**Example 4 for QUERY DB**

TSO SPOC input:

```

2 QRY DB NAME(PDHDOJA,PDHDOKA)

```

TSO SPOC output:

DBName	PartName	MbrName	CC	TYPE
	PDHDOJA	IMSA	0	PART
	PDHDOJA	IMS1	0	PART
DBHDOK01	PDHDOKA	IMSA	0	PART
DBHDOK01	PDHDOKA	IMS1	0	PART

OM API input:

```

2 CMD(QRY DB NAME(PDHDOJA,PDHDOKA))

```

OM API output:

```

2 <imsout>
2 <ctl>
2 <omname>OM10M </omname>
2 <omvsn>1.2.0</omvsn>
2 <xm1vsn>1 </xm1vsn>
2 <statime>2003.128 20:31:10.151252</statime>
2 <stotime>2003.128 20:31:10.152706</stotime>
2 <staseq>B963D46E12E54D25</staseq>
2 <stoseq>B963D46E13402A48</stoseq>
2 <rqsttkn1>USRT005 10133110</rqsttkn1>
2 <rc>00000000</rc>
2 <rsn>00000000</rsn>
2 </ctl>
2 <cmd>
2 <master>IMSA </master>
2 <userid>USRT005 </userid>
2 <verb>QRY </verb>

```

```

2      <kwd>DB          </kwd>
2      <input>QRY DB  NAME(PDHDOJA,PDHDOKA) </input>
2      </cmd>
2      <cmdrsphdr>
2      <hdr s1b1="DB" l1b1="DBName" scope="LCL" sort="a" key="1" scroll="no"
2      len="8" dtype="CHAR" align="left" skipb="no" />
2      <hdr s1b1="AREA" l1b1="AreaName" scope="LCL" sort="a" key="3"
2      scroll="no" len="8" dtype="CHAR" align="left" skipb="yes" />
2      <hdr s1b1="PART" l1b1="PartName" scope="LCL" sort="a" key="4"
2      scroll="no" len="8" dtype="CHAR" align="left" skipb="yes" />
2      <hdr s1b1="MBR" l1b1="MbrName" scope="LCL" sort="a" key="2" scroll="no"
2      len="8" dtype="CHAR" align="left" skipb="no" />
2      <hdr s1b1="CC" l1b1="CC" scope="LCL" sort="n" key="0" scroll="yes"
2      len="4" dtype="INT" align="right" skipb="no" />
2      <hdr s1b1="TYP" l1b1="TYPE" scope="LCL" sort="n" key="0" scroll="yes"
2      len="8" dtype="CHAR" align="left" skipb="no" />
2      </cmdrsphdr>
2      <cmdrspdata>
2      <rsp>DB(          )PART(PDHDOJA ) MBR(IMS          ) CC( 0) TYP(PART )
2      </rsp>
2      <rsp>DB(DBHDOK01)PART(PHDOKA ) MBR(IMS          ) CC( 0) TYP(PART )
2      </rsp>
2      <rsp>DB(          )PART(PDHDOJA ) MBR(IMS1         ) CC( 0) TYP(PART )
2      </rsp>
2      <rsp>DB(DBHDOK01)PART(PHDOKA ) MBR(IMS1         ) CC( 0) TYP(PART )
2      </rsp>
2      </cmdrspdata>
2      </imsout>

```

2 Explanation: The QUERY DB NAME(PDHDOJA,PDHDOKA) command is requesting  
 2 information of the two partition databases, PDHDOKA and PDHDOJA. The partition  
 2 name is returned in the PartName column and the HALDB master database name  
 2 is returned in the DBName column (if a master exists). The HALDB master for the  
 2 database, PDHDOJA, is offline so the database name is returned as blanks. The  
 2 database type, completion code, and IMS that processed the command is also  
 2 returned.

---

## QUERY IMSPLEX

QUERY IMSPLEX is an IMSplex command that displays information about one or more IMSplex members. If Version 7 IMSs are part of an IMSplex, the QUERY IMSPLEX command will not show those IMSs even though they are a part of the IMSplex.

This command can be issued only through the OM API.

### NAME()

Specifies the name of the IMSplexes for which member information is to be returned. The IMSplex name may be a generic parameter, to allow easy specification of a group of IMSplexes whose names match a generic parameter mask.

### SHOW()

Specifies the output fields to be returned. If SHOW is not specified, only the IMSplex names, IMSplex member names, IMSplex member that builds the output line, and completion codes are returned. This provides a method for a system management application to obtain a list of all IMSplex member names that are currently known in the IMSplexes.

**ALL** Returns all output fields

**JOB** Jobname of the IMSplex member

**OS** Name of the OS image on which the IMSplex member is executing.

**STATUS**

IMSplex member status.

**SUBTYPE**

IMSplex member subtype.

**TYPE** IMSplex member type.

**VERSION**

IMSplex member version.

**STATUS()**

Displays IMSplex members that display at least one of the specified status.

**ABENDED**

IMSplex member has abended

**ACTIVE**

IMSplex member is active

**NOTREACHABLE**

The local SCI responsible for the member is not currently active.  
The status displayed is the current status for the member.

**Note:** The status output is NOT-REACHABLE (with a hyphen).

**OLD** The SCI responsible for the member is not currently active. The status displayed is the last known status for the member. The actual status may be different.

**READY**

IMSplex member is ready to receive messages and requests that are routed by TYPE.

**TYPE()**

Displays IMSplex members that possess at least one of the specified member types.

**AOP** Automated Operator Program. Examples of AOPs are a SPOC application that an operator uses to interact with an IMSplex or a program that is monitoring an IMSplex.

**BATCH**

IMS batch job.

**CQS** Common Queue Server address space.

**DBRC** DBRC address space.

**IMS** IMS region.

**IMSCON**

An address space that serves as an interface between IMS and a protocol that is not directly supported by IMS (for example, TCP/IP).

**OM** Operations Manager address space.

**OTHER**

Other non-IMS address space or job.

**RM** Resource Manager address space.

**SCI** Structured Call Interface address space.



## QUERY IMSPLEX Output Fields

Table 104 shows the output fields for an QUERY IMSPLEX command. The columns in the table are as follows:

### Short Label

Contains the short label generated in the XML output.

### Keyword

Identifies the keyword on the command that caused the field to be generated. N/A appears for output fields that are always returned.

### Meaning

Provides a brief description of the output field.

Table 104. Output Fields for QUERY IMSPLEX Command

Short Label	Keyword	Meaning
IMSMBR	N/A	IMSplex member name. The IMSplex member name is always returned.
IMSPLX	N/A	IMSplex name. The IMSplex name is always returned.
MBR	N/A	IMSplex member that build the output line. The OM identifier of the OM that built the output line.
CC	N/A	Completion code for the line of output. The completion code is always returned.
STT	STATUS	IMSplex member status. See Table 105 for more information.
JOB	JOB	Jobname of IMSplex member.
OS	OS	Name of OS image on which the IMSplex member is executing.
STYP	SUBTYPE	Subtype of IMSplex member. See Table 107 on page 490 for an explanation of the possible subtypes.
TYP	TYPE	IMSplex member type.
VER	VERSION	IMSplex member version.

## QUERY IMSPLEX Status

Table 105 shows the possible IMSplex member status. The table contains information about status such as the STATUS keyword to specify to select members with the specified status, the status that is returned, and the meaning of the status.

Table 105. QUERY IMSPLEX Status Table

Satus Keyword	Status	Meaning
ABENDED	ABENDED	IMSplex member has abended.
ACTIVE	ACTIVE	IMSplex member is active.
NOTREACHABLE	NOT-REACHABLE	The local SCI responsible for the member is currently not active. The status displayed is the current status for the member.
OLD	OLD	The SCI responsible for the member is not currently active. The status displayed is the last known status for the member. The actual status may be different.

Table 105. QUERY IMSPLEX Status Table (continued)

Satus Keyword	Status	Meaning
READY	READY	IMSpIex member is ready to receive messages and requests that are routed by TYPE.

## QUERY IMSPLEX Types

Table 106 shows the possible IMSplex member types. The table contains information about member types such as the TYPE keyword to specify to select members with the specified type, the type that is returned, and the meaning of the member type.

Table 106. QUERY IMSPLEX Member Types

Type Keyword	Member Type	Meaning
AOP	aop	Automated Operator Program. An example of an AOP is a SPOC (Single Point of Control) that an operator uses to interact with the IMSplex. Another example of an AOP is a program that is monitoring the IMSplex.
BATCH	batch	IMS batch job.
CQS	cqs	Common Queue Server address space. CQS manages shared queues and may also manage resources on a resource structure.
DBRC	dbrc	DBRC address space.
IMS	ims	IMS region.
IMSCON	imscon	IMS connect. An address space that serves as an interface between IMS and a protocol that is not directly supported by IMS.
OM	om	Operations Manager address space. Operations Manager supports IMS operations in an IMSplex.
OTHER	other	Other non-IMS address space or job.
RM	rm	Resource Manager address space. Resource manager supports global resources in an IMSplex.
SCI	sci	Structured Call Interface address space.

## QUERY IMSPLEX Subtypes

Table 107 shows the possible IMSplex member subtypes. The table contains information about member types, the member subtypes associated with them, and the meaning of the member subtype. Members omitted from this table do not define a member subtype.

Table 107. QUERY IMSPLEX Member Subtypes

Member Type	Member Subtype	Meaning
IMS	DBDC	IMS DB/DC address space.
IMS	DBCTL	IMS DBCTL address space. DBCTL supports database functions.
IMS	DCCTL	IMS DCCTL address space. DCCTL supports data communications functions.

Table 107. QUERY IMSPLEX Member Subtypes (continued)

Member Type	Member Subtype	Meaning
IMS	FDBR	IMS Fast Database Recovery. An IMS control region that recovers database resources when an IMS database manager fails.
RM	SNGLRM	RM is defined without a resource structure, so only a single RM is allowed in the IMSplex.
RM	MULTRM	RM is defined with a resource structure, so multiple RMs are allowed in the IMSplex.

## Return, Reason, and Completion Codes for QUERY IMSPLEX

The return and reason codes that can be returned as a result of the QUERY IMSPLEX command are standard for all commands entered through the OM API. Refer to the OM Return and Reason code section in the *IMS Version 9: Common Service Layer Guide and Reference* for the list of codes and their meanings.

Table 108 contains the return, reason, and completion codes for the QUERY IMSPLEX command. Included in the tables is a brief explanation of the codes.

Table 108. Return and Reason Codes for the QUERY IMSPLEX Command

Return Code	Reason Code	Meaning
X'00000000'	X'00000000'	The QUERY IMSPLEX command completed successfully.
X'02000008'	X'00002048'	The QUERY IMSPLEX command has more than one filter value specified. Only one of the TYPE or STATUS filters can be specified.
X'02000008'	X'0000203C'	An invalid keyword parameter value was specified.
X'0200000C'	X'00003000'	The QUERY IMSPLEX command is successful for at least one resource name. The QUERY IMSPLEX command is not successful for one or more resource names. The completion code indicates the reason for the error with the resource name. The completion codes that can be returned by the QUERY IMSPLEX command are listed in the QUERY IMSPLEX completion code table.
X'0200000C'	X'00003004'	No resources were found to be returned. The resource name(s) specified may be invalid or there were no resources that match the filter specified.
X'02000014'	X'00005020'	The QUERY IMSPLEX command processing terminated. OM was unable to obtain storage for a system AWE while processing the command.
X'02000014'	X'0000502C'	The QUERY IMSPLEX command processing terminated. OM was unable to obtain storage for the command output header.
X'02000014'	X'00005030'	The QUERY IMSPLEX command processing terminated. OM was unable to obtain storage for the command output response.
X'02000014'	X'00005040'	The QUERY IMSPLEX command processing terminated due to an SCI error.

Errors unique to the processing of this command are returned as a completion codes. A completion code is returned for each action against an individual resource.

Table 109 contains completion codes can be returned on a QUERY IMSPLEX command.

Table 109. Completion Codes for the QUERY IMSPLEX Command

Completion Code	Meaning
0	The QUERY IMSPLEX command completed successfully for the resource.

Table 109. Completion Codes for the QUERY IMSPLEX Command (continued)

Completion Code	Meaning
4	The IMSplex name is unknown to the client that is processing the request. The implex name may have been typed in error or the implex may not be active at this time. If this is a wildcard request there were no matches for the name. Confirm the correct spelling of the resource name is specified on the command.

## Examples for QUERY IMSPLEX Command

This section provides OM API and TSO SPOC input and output examples and explanations for the QUERY command.

### Example 1 for QUERY IMSPLEX Command

TSO SPOC input:

```
QRY IMSPLEX NAME(CSLPLEX1) SHOW(JOB,SUBTYPE,STATUS,TYPE)
```

TSO SPOC output:

```
Response for: QUERY IMSPLEX NAME(CSLPLEX1) SHOW(JOB,SUBTYPE,STATUS)
IMSpIex MbrName  CC Member  JobName  Type  Subtype  Status
CSLPLEX1 OM10M   0 IMS2    IMS2    IMS   DBDC    READY,ACTIVE
CSLPLEX1 OM10M   0 CQS1CQS  CQSRE1  CQS   DBDC    ACTIVE
CSLPLEX1 OM10M   0 SYS3    IMS1    IMS   DBDC    READY,ACTIVE
CSLPLEX1 OM10M   0 OM10M   OM1     OM     OM     READY,ACTIVE
CSLPLEX1 OM10M   0 IMS3    IMS3    IMS   DBDC    READY,ACTIVE
CSLPLEX1 OM10M   0 USRT011  USRT011 AOP     AOP    ACTIVE
CSLPLEX1 OM10M   0 RM1RM   RM1     RM     MULTRM  READY,ACTIVE
CSLPLEX1 OM10M   0 SCI1SC  SCI1    SCI    SCI     READY,ACTIVE
```

OM API input:

```
CMD(QRY IMSPLEX NAME(CSLPLEX1) SHOW(JOB,SUBTYPE,STATUS,TYPE))
```

OM API output:

```
<imsout>
<ctl>
<omname>OM10M </omname>
<omvsn>1.1.0</omvsn>
<xmlvsn>1 </xmlvsn>
<statime>2002.163 15:05:18.859217</statime>
<stotime>2002.163 15:05:18.860443</stotime>
<staseq>B7C4A41E663D11C3</staseq>
<stoseq>B7C4A41E6689B9C3</stoseq>
<rqsttkn1>USRT011 10080518</rqsttkn1>
<rc>00000000</rc>
<rsn>00000000</rsn>
</ctl>
<cmd>
<userid>USRT011 </userid>
<verb>QRY </verb>
<kwd>IMSPLEX </kwd>
<input>QUERY IMSPLEX NAME(CSLPLEX1) SHOW(JOB,SUBTYPE,STATUS,TYPE)</input>
</cmd>
<cmdrsphdr>
<hdr s1b1="IMSPLX" l1b1="IMSpIex" scope="LCL" sort="A" key="1" scroll="NO" len="8"
dtype="CHAR" align="left" />
<hdr s1b1="MBR" l1b1="MbrName" scope="LCL" sort="N" key="0" scroll="YES" len="8"
dtype="CHAR" align="left" />
<hdr s1b1="CC" l1b1="CC" scope="LCL" sort="N" key="0" scroll="YES" len="4"
dtype="INT" align="right" />
<hdr s1b1="MSMBR" l1b1="Member" scope="LCL" sort="N" key="0" scroll="NO" len="8"
dtype="CHAR" align="left" />
```

```
<hdr s1bl="JOB" l1bl="JobName" scope="LCL" sort="N" key="0" scroll="YES" len="8"
dtype="CHAR" align="left" />
<hdr s1bl="TYP" l1bl="Type" scope="LCL" sort="N" key="0" scroll="YES" len="5"
dtype="CHAR" align="left" />
<hdr s1bl="STYP" l1bl="Subtype" scope="LCL" sort="N" key="0" scroll="YES" len="8"
dtype="CHAR" align="left" />
<hdr s1bl="STT" l1bl="Status" scope="GBL" sort="N" key="0" scroll="YES" len="*"
dtype="CHAR" align="left" />
</cmdrsphdr>
<cmdrspdata>
<rsp>IMSPLX(CSLPLEX1) MBR(OM10M) IMSMBR(IMS2) CC( 0) JOB(IMS2) TYP(IMS)
STYP(DBDC) STT(READY,ACTIVE)</rsp>
<rsp>IMSPLX(CSLPLEX1) MBR(OM10M) IMSMBR(CQS1CQS) CC( 0) JOB(CQSRE1) TYP(CQS)
STYP( ) STT(ACTIVE)</rsp>
<rsp>IMSPLX(CSLPLEX1) MBR(OM10M) IMSMBR(SYS3) CC( 0) JOB(IMS1) TYP(IMS)
STYP(DBDC) STT(READY,ACTIVE)</rsp>
<rsp>IMSPLX(CSLPLEX1) MBR(OM10M) IMSMBR(OM10M) CC( 0) JOB(OM1) TYP(OM)
STYP( ) STT(EADY,ACTIVE)</rsp>
<rsp>IMSPLX(CSLPLEX1) MBR(OM10M) IMSMBR(IMS3) CC( 0) JOB(IMS3) TYP(IMS)
STYP(DBDC) STT(READY,ACTIVE)</rsp>
<rsp>IMSPLX(CSLPLEX1) MBR(OM10M) IMSMBR(USRT011) CC( 0) JOB(USRT011) TYP(AOP)
STYP( ) STT(ACTIVE)</rsp>
<rsp>IMSPLX(CSLPLEX1) MBR(OM10M) IMSMBR(RM1RM) CC( 0) JOB(RM1) TYP(RM)
STYP(MULTRM) STT(READY,ACTIVE)</rsp>
<rsp>IMSPLX(CSLPLEX1) MBR(OM10M) IMSMBR(SCI1SC) CC( 0) JOB(SCI1) TYP(SCI)
STYP( ) STT(READY,ACTIVE)</rsp>
</cmdrspdata>
</imsout>
```

Explanation: The QUERY IMSPLEX command displays the IMSplex members that compose IMSplex CSLPLEX1. This IMSplex contains three IMSs (IMS1, IMS2, and IMS3), a TSO SPOC (USRT011), a CQS (CQSRE1), RM (RM1), and OM (OM1). OM1 is the command master that built the output.

**Example 2 for QUERY IMSPLEX Command**

TSO SPOC input:

```
QRY IMSPLEX NAME(CSLPLEX1) SHOW(JOB,SUBTYPE,STATUS,TYPE)
```

TSO SPOC output:

Response for: QUERY IMSPLEX NAME(CSLPLEX1) SHOW(JOB,SUBTYPE,STATUS,TYPE)

IMSplex	MbrName	CC	Member	JobName	Type	Subtype	Status
CSLPLEX1	OM10M	0	IMS2	IMS	IMS	DBDC	READY,ACTIVE
CSLPLEX1	OM10M	0	CQS1CQS	CQSRE1	CQS		ACTIVE
CSLPLEX1	OM10M	0	SYS3	IMS1	IMS	DBDC	READY,ACTIVE
CSLPLEX1	OM10M	0	OM10M	OM1	OM		READY,ACTIVE
CSLPLEX1	OM10M	0	IMS3	IMS3	IMS	DBDC	READY,ACTIVE
CSLPLEX1	OM10M	0	USRT011	USRT011	AOP		ACTIVE
CSLPLEX1	OM10M	0	RM1RM	RM1	RM	MULTRM	READY,ACTIVE
CSLPLEX1	OM10M	0	SCI1SC	SCI1	SCI		READY,ACTIVE

OM API input:

```
CMD (QRY IMSPLEX NAME(CSLPLEX1) SHOW(JOB,SUBTYPE,STATUS,TYPE))
```

OM API output:

```
<imsout>
<ctl>
<omname>OM10M </omname><omvsn>1.1.0</omvsn>
<xmlvsn>1</xmlvsn>
<statime>2002.163 15:05:18.859217</statime>
<stotime>2002.163 15:05:18.860443</stotime>
<staseq>B7C4A41E663D11C3</staseq>
<stoseq>B7C4A41E6689B9C3</stoseq>
<rqsttkn1>USRT011 10080518</rqsttkn1>
```

```

<rc>00000000</rc>
<rsn>00000000</rsn>
</ctl>
<cmd>
<userid>USRT011 </userid>
<verb>QRY </verb>
<kwd>IMSPLEX </kwd>
<input>QUERY IMSPLEX NAME(CSLPLEX1) SHOW(JOB,SUBTYPE,STATUS,TYPE)</input>
</cmd>
<cmdsphdr>
<hdr slbl="IMSPLX" llbl="IMSpIex" scope="LCL" sort="A" key="1" scroll="NO" len="8"
dtype="CHAR" align="left" />
<hdr slbl="MBR" llbl="MbrName" scope="LCL" sort="N" key="0" scroll="YES" len="8"
dtype="CHAR" align="left" />
<hdr slbl="CC" llbl="CC" scope="LCL" sort="N" key="0" scroll="YES" len="4"
dtype="INT" align="right" />
<hdr slbl="MSMBR" llbl="Member" scope="LCL" sort="N" key="0" scroll="NO" len="8"
dtype="CHAR" align="left" />
<hdr slbl="JOB" llbl="JobName" scope="LCL" sort="N" key="0" scroll="YES" len="8"
dtype="CHAR" align="left" />
<hdr slbl="TYP" llbl="Type" scope="LCL" sort="N" key="0" scroll="YES" len="5"
dtype="CHAR" align="left" />
<hdr slbl="STYP" llbl="Subtype" scope="LCL" sort="N" key="0" scroll="YES" len="8"
dtype="CHAR" align="left" />
<hdr slbl="STT" llbl="Status" scope="GBL" sort="N" key="0" scroll="YES" len="*"
dtype="CHAR" align="left" />
</cmdsphdr>
<cmdrspdata>
<rsp>IMSPLX(CSLPLEX1) MBR(OM10M) MSMBR(IMS2) CC( 0) JOB(IMS2) TYP(IMS)
STYP(DBDC) STT(READY,ACTIVE)</rsp>
<rsp>IMSPLX(CSLPLEX1) MBR(OM10M) MSMBR(CQS1CQS) CC( 0) JOB(CQSRE1) TYP(CQS)
STYP( ) STT(ACTIVE)</rsp>
<rsp>IMSPLX(CSLPLEX1) MBR(OM10M) MSMBR(SYS3) CC( 0) JOB(IMS1) TYP(IMS)
STYP(DBDC) STT(READY,ACTIVE)</rsp>
<rsp>IMSPLX(CSLPLEX1) MBR(OM10M) MSMBR(OM10M) CC( 0) JOB(OM1) TYP(OM)
STYP( ) STT(READY,ACTIVE)</rsp>
<rsp>IMSPLX(CSLPLEX1) MBR(OM10M) MSMBR(IMS3) CC( 0) JOB(IMS3) TYP(IMS)
STYP(DBDC) STT(READY,ACTIVE)</rsp>
<rsp>IMSPLX(CSLPLEX1) MBR(OM10M) MSMBR(USRT011) CC( 0) JOB(USRT011) TYP(AOP)
STYP( ) STT(ACTIVE)</rsp>
<rsp>IMSPLX(CSLPLEX1) MBR(OM10M) MSMBR(RM1RM) CC( 0) JOB(RM1) TYP(RM)
STYP(MULTRM) STT(READY,ACTIVE)</rsp>
<rsp>IMSPLX(CSLPLEX1) MBR(OM10M) MSMBR(SCI1SC) CC( 0) JOB(SCI1) TYP(SCI)
STYP( ) STT(READY,ACTIVE)</rsp>
</cmdrspdata>
</imsout>

```

Explanation: The QUERY IMSPLEX command displays the IMSplex members that compose IMSplex CSLPLEX1. This IMSplex contains three IMSs (IMS1, IMS2, and IMS3), a TSO SPOC (USRT011), a CQS (CQSRE1), RM (RM1), and OM (OM1). OM1 is the command master that built the output.

---

## QUERY LE

The QUERY LE command allows the user to display Language Environment (LE) runtime parameter overrides defined by a previous UPDATE LE command. The query can use filters on transaction code, LTERM, userid, or program name. Any combination of parameters may be used to qualify the application instance. All entries found that match the criteria are returned to the user. The user specifies on the command which output fields should be returned in the command response. The user can ask for all information that includes transaction code, LTERM name, userid, program name, and runtime parameters. See Chapter 65, "UPDATE," on page 705 for more information about the UPDATE LE command.

This command may be specified only through the Operations Manager API.

The command syntax for this command is defined in XML and is available to automation programs that communicate with OM.

The following parameters support a generic or wildcard parameter. A generic parameter is a 1-8 character name that includes an asterisk or a percent sign. An asterisk can be replaced by a zero or more characters to create a valid resource name. A percent sign can be replaced by exactly one character to create a valid resource name.

**LTERM()**

Specifies the 1-8 character name of the LTERM or LTERMs matching the generic or wildcard parameter.

**PGM()** Specifies the 1-8 character name of the program or programs matching the generic or wildcard parameter.

**SHOW()**

Specifies the output fields to be returned. At least one SHOW field is required on the command.

**ALL** Returns all the output fields. This is the same as if the following was specified: SHOW(TRAN,LTERM,USERID,PGM,LERUNOPTS).

**LERUNOPTS**

Returns all of the LE override parameters associated with the transaction, LTERM, userid, or program name.

**LTERM**

Returns the logical terminal name field.

**PGM** Returns the program name field.

**TRAN** Returns the transaction name field.

**USERID**

Returns the user identifier field.

**TRAN()**

Specifies the 1-8 character name of the transaction or transactions matching the generic or wildcard parameter. If the TRAN, LTERM, USERID, or PGM resource filters are not specified, all parameter overrides are returned.

**USERID()**

Specifies the 1-8 character name of the userid or userids matching the generic or wildcard parameter. If the TRAN, LTERM, USERID, or PGM resource filters are not specified, all parameter overrides are returned.

## QUERY LE Output Fields

Table 110 on page 497 shows the QUERY LE output fields. The columns in the table are as follows:

**Short Label**

Contains the short label generated in the XML output.

**Keyword**

Identifies the keyword on the command that caused the field to be generated. N/A appears for output fields that are always returned.



**Meaning**

Provides a brief description of the output field.

*Table 110. Output Fields for QUERY LE Command*

Short Label	Keyword	Meaning
CC	N/A	Completion code for the line of output. Completion code is always returned.
LTRM	LTERM	LTERM Name requested by the QUERY.
MBR	N/A	IMSPlex member (IMS identifier) that built the output line. Member name is always returned.
PGM	PGM	Program Name requested by the QUERY.
PRM	LERUNOPTS	The LE override parameters for the specified resource filters.
TRAN	TRAN	Transaction Name requested by the QUERY.
UID	USERID	Userid requested by the QUERY.

**Return, Reason, and Completion Codes for QUERY LE**

An IMS return and reason code is returned to OM by the QUERY LE command. The OM return and reason codes that may be returned as a result of the QUERY LE command are standard for all commands entered through the OM API. Table 111 includes the return and reason codes and a brief explanation of the codes. Table 112 includes an explanation of the completion code.

*Table 111. Return and Reason Codes for the QUERY LE command*

Return Code	Reason Code	Meaning
X'00000000'	X'00000000'	The QUERY LE command completed successfully.
X'00000008'	X'0000200C'	No resources found to return. Either the entry was previously deleted or a keyword filter was typed incorrectly.
X'00000008'	X'00002014'	An invalid character was specified in the filter name.
X'00000010'	X'00004040'	The parameter override header has not been initialized. Retry the command after restart is complete.
X'00000014'	X'00005000'	Unable to get storage from IMODULE GETSTOR.
X'00000014'	X'00005010'	Unable to obtain latch.
X'00000014'	X'00005FFF'	Internal IMS Error - Should not occur.

*Table 112. Completion code for the QUERY LE command*

Completion code	Meaning
0	The QUERY LE command completed successfully for the specified resource.

**Examples for QUERY LE Command**

This section provides OM API and TSO SPOC input and output examples and explanations for the QUERY command.

**Example 1 for QUERY LE Command**

Assume the following filters are specified on QRY LE commands:

1. TRAN(PART) SHOW(ALL) Returns entries #1, 2, 3, 5, 6, 8.
2. TRAN(PART) LTERM(TERM1) SHOW(ALL) Returns entries #3, 5, 6.
3. LTERM(TERM2) USERID(BETTY) SHOW(ALL) Returns entry #7.
4. TRAN(PART) LTERM(TERM1) USERID(BETTY) SHOW(ALL) Does not return any entries.
5. TRAN(PART) LTERM(TERM\*) SHOW(ALL) Returns entries #3, 5, 6, 8.
6. USERID(B\*) SHOW(ALL) Returns entries #2, 5, 6, 7.

Rules for matching an entry which results in it being returned on QUERY command:

- If a filter is specified on the command for a particular resource it must match the resource filter defined in the entry. The resource in the QUERY LE command may be specified with wildcards as defined previously.
- A resource filter that is not specified on a QUERY LE command will match on any filter for the specific resource defined in the entry. A non-specified filter is treated as a wildcard. For instance if the LTERM filter is not specified on a QRY LE command it will match on any LTERM resource defined in an entry, as if LTERM(\*) was specified on the command.

Table 113 is a logical representation of the parameter override table entries prior to any of the above query commands being processed.

*Table 113. Parameter Override Table Entries for Example 1*

Entry#	TRAN	LTERM	USERID	PROGRAM	LERUNOPTS
1	PART			DFSSAM02	aaaa
2	PART		BETTY		bbbb
3	PART	TERM1			cccc
4				DFSSAM02	dddd
5	PART	TERM1	BARBARA		eeee
6	PART	TERM1	BOB		ffff
7		TERM2	BETTY		gggg
8	PART	TERM2			iiii

**Example 2 for QUERY LE Command**

TSO SPOC input:

QRY LE SHOW(ALL)

TSO SPOC output:

```
SYS3 0 IAPMDI26 USRT001 IAPMDI29 CCCC RPTOPTS=((ON),NOOVR),RPTSTG=((OFF),NOOVR)
SYS3 0 IAPMDI27 IMS1 USRT001 IAPMDI27 AAAA
```

OM API input:

CMD(QRY LE SHOW(ALL))

OM API output:

```
<imsout>
<ctl>
<omname>OM10M </omname>
<omvsn>1.1.0</omvsn>
```

```

<xmlvsn>1 </xmlvsn>
<statime>2002.163 17:34:01.196902</statime>
<stotime>2002.163 17:34:01.197368</stotime>
<staseq>B7C4C55B67566505</staseq>
<stoseq>B7C4C55B67738365</stoseq>
<rqsttkn1>USRT002 10103401</rqsttkn1>
<rc>00000000</rc>
<rsn>00000000</rsn>
</ctl>
<cmd>
<master>SYS3 </master>
<userid>USRT002 </userid>
<verb>QRY </verb>
<kwd>LE </kwd>
<input>QRY LE SHOW(ALL) </input>
</cmd>
<cmdrsphdr>
<hdr slbl="MBR" llbl="MbrName" scope="LCL" sort="A" key="1" scroll="NO" len="8"
dtype="CHAR" align="left" />
<hdr slbl="CC" llbl="CC" scope="LCL" sort="N" key="0" scroll="YES" len="4"
dtype="INT" align="right" />
<hdr slbl="TRAN" llbl="Trancode" scope="LCL" sort="N" key="0" scroll="YES" len="8"
dtype="CHAR" align="left" />
<hdr slbl="LTRM" llbl="Lterm" scope="LCL" sort="N" key="0" scroll="YES" len="8"
dtype="CHAR" align="left" />
<hdr slbl="UID" llbl="Userid" scope="LCL" sort="N" key="0" scroll="YES" len="8"
dtype="CHAR" align="left" />
<hdr slbl="PGM" llbl="Program" scope="LCL" sort="N" key="0" scroll="YES" len="8"
dtype="CHAR" align="left" />
<hdr slbl="PRM" llbl="LERunOpts" scope="LCL" sort="N" key="0" scroll="YES" len="*"
dtype="CHAR" align="left" />
</cmdrsphdr>
<cmdrspdata>
<rsp>MBR(SYS3 ) CC( 0) TRAN( ) LTRM( ) UID( ) PGM(IAPMDI29)
PRM(CCCC ) </rsp>
<rsp>MBR(SYS3 ) CC( 0) TRAN(IAPMDI26) LTRM( ) UID(USRT001 ) PGM( )
PRM(RPTOPTS=((ON),NOOVR),RPTSTG=((OFF),NOOVR) )</rsp>
<rsp>MBR(SYS3 ) CC( 0) TRAN(IAPMDI27) LTRM(IMS1 ) UID(USRT001 ) PGM(IAPMDI27)
PRM(AAAA ) </rsp>
</cmdrspdata>
</imsout>

```

Explanation: The SHOW(ALL) parameter is specified, so all four filters and the runtime option string are shown for each table entry. Furthermore, no filters are specified in the command, so all table entries are shown. In this example, there are three table entries. The first specifies one filter (program) and the parameter string for this entry is CCCC. The second entry specifies two filters, trancode and userid, and its parameter string is RPTOPTS=((ON),NOOVR),RPTSTG=((OFF),NOOVR). The last entry specifies all four filters and a parameter string of AAAA.

**Example 3 for QUERY LE Command**

TSO SPOC input:

```
QRY LE SHOW(LTERM,USERID)
```

TSO SPOC output:

MbrName	CC	Lterm	Userid
SYS3	0		
SYS3	0		USRT001
SYS3	0	IMS1	USRT001

OM API input:

```
CMD(QRY LE SHOW(LTERM,USERID))
```

OM API output:

```

<imsout>
<ctl>
<omname>OM10M </omname>
<omvsn>1.1.0</omvsn>
<xmlvsn>1 </xmlvsn>
<statime>2002.163 17:36:27.588393</statime>
<stotime>2002.163 17:36:27.589261</stotime>
<staseq>B7C4C5E703729D6F</staseq>
<stoseq>B7C4C5E703A8D467</stoseq>
<rqsttkn1>USRT002 10103627</rqsttkn1>
<rc>00000000</rc>
<rsn>00000000</rsn>
</ctl>
<cmd>
<master>SYS3 </master>
<userid>USRT002 </userid>
<verb>QRY </verb>
<kwd>LE </kwd>
<input>QRY LE SHOW(LTERM,USERID) </input>
</cmd>
<cmdrsphdr>
<hdr s1b1="MBR" l1b1="MbrName" scope="LCL" sort="A" key="1" scroll="NO" len="8"
dtype="CHAR" align="left" />
<hdr s1b1="CC" l1b1="CC" scope="LCL" sort="N" key="0" scroll="YES" len="4"
dtype="INT" align="right" />
<hdr s1b1="LTRM" l1b1="Lterm" scope="LCL" sort="N" key="0" scroll="YES" len="8"
dtype="CHAR " align="left" />
<hdr s1b1="UID" l1b1="Userid" scope="LCL" sort="N" key="0" scroll="YES" len="8"
dtype="CHAR " align="left" />
</cmdrsphdr>
<cmdrspdata>
<rsp>MBR(SYS3 ) CC( 0) LTRM( ) UID( ) </rsp>
<rsp>MBR(SYS3 ) CC( 0) LTRM( ) UID(USRT001 ) </rsp>
<rsp>MBR(SYS3 ) CC( 0) LTRM(IMS1 ) UID(USRT001 ) </rsp>
</cmdrspdata>
</imsout>

```

Explanation: This command uses the SHOW parameter to limit the amount of data that is shown for each entry in the table. All three table entries are shown, but only the LTERM and TRAN filters are shown for each one. The first entry has neither an LTERM filter nor a USERID filter defined, so it is blank except for the MbrName and CC.

**Example 4 for QUERY LE Command**

TSO SPOC input:

```
QRY LE USERID(USRT*) SHOW(LTERM,USERID)
```

TSO SPOC output:

MbrName	CC	Lterm	Userid
SYS3		0	USRT001
SYS3		0 IMS1	USRT001

OM API input:

```
CMD(QRY LE USERID(USRT*) SHOW(LTERM,USERID))
```

OM API output:

```

<imsout>
<ctl>
<omname>OM10M </omname>
<omvsn>1.1.0</omvsn>
<xmlvsn>1 </xmlvsn>

```

```

<statime>2002.163 17:50:24.925819</statime>
<stotime>2002.163 17:50:24.926381</stotime>
<staseq>B7C4C9058F87B484</staseq>
<stoseq>B7C4C9058FAAD324</stoseq>
<rqsttkn1>USRT002 10105024</rqsttkn1>
<rc>00000000</rc>
<rsn>00000000</rsn>
</ctl>
<cmd>
<master>SYS3 </master>
<userid>USRT002 </userid>
<verb>QRY </verb>
<kwd>LE </kwd>
<input>QRY LE USERID(USRT*) SHOW(LTERM,USERID) </input>
</cmd>
<cmdrsphdr>
<hdr slbl="MBR" llbl="MbrName" scope="LCL" sort="A" key="1" scroll="NO" len="8"
dtype="CHAR" align="left" />
<hdr slbl="CC" llbl="CC" scope="LCL" sort="N" key="0" scroll="YES" len="4"
dtype="INT" align="right" />
<hdr slbl="LTRM" llbl="Lterm" scope="LCL" sort="N" key="0" scroll="YES" len="8"
dtype="CHAR" align="left" />
<hdr slbl="UID" llbl="Userid" scope="LCL" sort="N" key="0" scroll="YES" len="8"
dtype="CHAR" align="left" />
</cmdrsphdr>
<cmdrspdata>
<rsp>MBR(SYS3 ) CC( 0) LTRM( ) UID(USRT001 ) </rsp>
<rsp>MBR(SYS3 ) CC( 0) LTRM(IMS1 ) UID(USRT001 ) </rsp>
</cmdrspdata>
</imsout>

```

Explanation: This command uses both the USERID filter and the SHOW parameter to limit the amount of data shown in the output. The USERID(USRT\*) parameter limits the output to only those table entries that define a USERID filter that fits the specified pattern (USRT\*). The SHOW parameter limits how much information is returned about each table entry. In this case, only the LTERM and USERID are shown.

---

## QUERY MEMBER

The QUERY MEMBER command displays status or attribute information about one or more members of the IMSplex. For IMS Version 9, TYPE(IMS) is the only type supported. QUERY MEMBER can be specified only through the OM API.

### SHOW()

Specifies the output fields to be returned.

**ALL** Returns all the output fields.

### ATTRIB

Displays the IMSplex member attributes. These are static definitions.

### MODID

Displays the online change modify id. The modify id is incremented by each successful online change. During a global online change, an IMS's local modify id indicates whether the IMS has reached the online change commit phase 2 and is synchronized with the OLCSTAT data set. If the modify id is initialized to zero by the Global Online Change utility, the modify id represents the number of global online changes that have successfully completed.

The local modify id on an XRF alternate system indicates whether the XRF alternate has gotten the X'70' log record, performed online change, and is synchronized with the OLCSTAT data set. If the XRF alternate's modid matches the OLCSTAT data set modid as displayed by the QUERY OLC LIBRARY (OLCSTAT) command, the XRF alternate is synchronized with the OLCSTAT data set.

**STATUS**

Displays the IMSplex member status. IMSplex member status can change dynamically.

**TYPE** Shows the IMSplex member type. The IMSplex member type can be IMS, for the IMS address space.

**TYPE()**

Specifies the IMSplex member type for which information will be displayed.

**QUERY MEMBER Output Fields**

Table 114 shows information about the QUERY MEMBER TYPE(IMS) output fields. The columns in the table are as follows:

**Short Label**

Contains the short label generated in the XML output.

**Keyword**

Identifies the keyword on the command that caused the field to be generated. N/A appears for output fields that are always returned.

**Scope** Identifies the scope of the output field.

**Meaning**

Provides a brief description of the output field.

*Table 114. Output Fields for QUERY MEMBER Command*

Short Label	Keyword	Scope	Meaning
CC	N/A	N/A	Completion code for the line of output. The completion code is always returned.
MBR	N/A	N/A	IMSplex member that built the output line. IMS identifier of IMS that built the output. The IMS identifier is always returned.
LATTR	ATTRIB	LCL	Local IMS attributes. See "QUERY MEMBER Attributes" on page 503 for more information.
MODI	MODID	LCL	Online change modify id, which is incremented by 1 for each online change.
LSTT	STATUS	LCL	Local IMS status. See "QUERY MEMBER Status" on page 503 for more information.
STT	STATUS	GBL	Global IMS status. See "QUERY MEMBER Status" on page 503 for more information.
TYP	TYPE	LCL	IMSplex member type. The IMSplex member type can be IMS, for the IMS address space.

## QUERY MEMBER Attributes

Table 115 shows the possible IMS attributes. The table contains information about attributes such as the attribute that is returned, the scope of the attribute, and the meaning of the attribute. Global attributes are returned with the ATTR short label. Local attributes are returned with the LATTR short label.

Table 115. Attributes for QUERY MEMBER Command

Attribute	Scope	Meaning
GBLOLC	LCL	Global online change is enabled.
RMENVNO	LCL	No RM environment is running.
RSRTRK	LCL	Remote Site Recovery tracker.
SHAREDQ	LCL	Shared queues are enabled.

2

## QUERY MEMBER Status

Table 116 shows the possible member status. The table contains information about status such as the status that is returned, the scope of the status, and the meaning of the status. Global status is returned with the STT short label. Local status is returned with the LSTT short label. A scope of LCL means that the status is local to the IMS specified and is returned with the LSTT short label. A scope of GBL means that the status is global to all the IMSs and is returned with the STT short label.

Table 116. Status for QUERY MEMBER Command

Status	Scope	Meaning
LEOPT	LCL	Language Environment options are enabled for this IMS.
OLCABRTC	LCL	Online change abort completed.  A TERMINATE OLC command or /MODIFY ABORT command is entered. Online change abort phase completed locally for this IMS. The IMS is taken out of the online change state.
OLCABRTI	LCL	Online change abort in progress.  A TERMINATE OLC command or /MODIFY ABORT command is entered. Online change abort phase is in progress locally for this IMS.
OLCCMT1C	LCL or GBL	Online change commit phase 1 completed.  An INITIATE OLC PHASE(COMMIT) command or /MODIFY COMMIT command is entered. Online change commit phase 1 completed either locally for the IMS, or globally for all of the IMSs in the IMSplex. After all of the IMSs have attempted commit phase 1, the online change master updates the OLCSTAT data set and the online change is considered to be complete.  Classic commands from the system console, an IMS terminal, or the MTO are queued while the IMS is in this state. Queued commands are processed after the online change is committed or aborted. If the classic command is entered from the system console, the WTOR does not appear until this IMS is out of the online change state.

Table 116. Status for QUERY MEMBER Command (continued)

Status	Scope	Meaning
OLCCMT1I	LCL or GBL	Online change commit phase 1 in progress.  An INITIATE OLC PHASE(COMMIT) command or /MODIFY COMMIT command is entered. Online change commit phase 1 is in progress either locally for this IMS or globally for all the IMSs in the IMSplex.
OLCCMT2C	LCL or GBL	Online change commit phase 2 completed.  An INITIATE OLC PHASE(COMMIT) command or a /MODIFY COMMIT command is entered. Online change commit phase completed either locally for this IMS or globally for all the IMSs in the IMSplex.  Classic commands from the system console, an IMS terminal, or the MTO are queued while the IMS is in this state. Queued commands are processed after the online change is committed or aborted. If the classic command is entered from the system console, the WTOR does not appear until this IMS is out of the online change state.
OLCCMT2F	LCL	Online change commit phase 2 failed.  An INITIATE OLC PHASE(COMMIT) command or a /MODIFY COMMIT command is entered. Online change commit phase 2 failed locally for this IMS. This IMS may be stuck in an online change state, where the TERMINATE OLC command or /MODIFY ABORT command does not work. If that is the case, cancel the IMS and warm start IMS. This IMS can warm start, since it successfully participated in the online change except for commit phase 2.
OLCCMT2I	LCL or GBL	Online change commit phase 2 in progress.  An INITIATE OLC PHASE(COMMIT) command or a /MODIFY COMMIT command is entered. Online change commit phase 2 is in progress either locally for this IMS or globally for all the IMSs in the IMSplex.
OLCMSTR	GBL	Online change phase master.  An INITIATE OLC PHASE(PREPARE), an INITIATE OLC PHASE(COMMIT), or a TERMINATE OLC command is entered. This IMS is the master of the online change phase currently in progress, either prepare, commit, or terminate. A different IMS may be master of each phase of online change.
OLCPREPC	LCL or GBL	Online change prepare phase completed.  An INITIATE OLC PHASE(PREPARE) command or a /MODIFY PREPARE command is entered. Online change prepare phase completed locally for this IMS or globally for all the IMSs in the IMSplex.
OLCPREPF	LCL	Online change prepare phase failed.  An INITIATE OLC PHASE(PREPARE) command is entered. Online change prepare phase failed locally for this IMS. A TERMINATE OLC is required to delete the MWA created for the online change and also to delete the online change process that was initiated with RM.



Table 116. Status for QUERY MEMBER Command (continued)

Status	Scope	Meaning
OLCPREPI	LCL or GBL	Online change prepare phase in progress.  An INITIATE OLC PHASE(PREPARE) command or a /MODIFY PREPARE command is entered. Online change prepare phase is in progress locally for this IMS or globally for all the IMSs in the IMSplex.
OLCTERM C	GBL	Online change terminate completed.  A TERMINATE OLC command was entered. Online change termination is completed for the IMSs in the IMSplex.
OLCTERM F	LCL	TERMINATE FAILED:  A TERMINATE OLC command is directed to the IMS that is not in an online change state. An MWA is created to coordinate the TERMINATE OLC command. The TERMINATE OLC command fails due to an RM, SCI, or CQS error and the MWA is set to a 'Terminate Failed' state. A subsequent TERMINATE OLC command is required to delete the MWA in this state.
OLCTERM I	GBL	Online change terminate in progress.  A TERMINATE OLC command is entered. Online change termination is in progress for the IMSs in the IMSplex. Online change termination aborts the online change.  If all of the IMSs are in an online change prepare state, TERMINATE OLC aborts the online change and removes all of the IMSs from the online change state.  If an error occurs before the OLCSTAT data set is updated, then TERMINATE OLC aborts the online change. The online change abort phase is performed on the IMSs where abort is needed. All of the IMSs are removed from the online change state.
XRFALT	LCL	XRF alternate system.

## Return, Reason, and Completion Codes for QUERY MEMBER

The return and reason codes that can be returned as a result of the QUERY MEMBER command are standard for all commands entered through the OM API. Refer to the OM Return and Reason code section in the *IMS Version 9: Common Service Layer Guide and Reference* for the list of codes and their meanings.

Table 117 contains the return and reason codes that can be returned to OM for a QUERY MEMBER command. It also includes a brief explanation of the codes.

Table 117. Return and Reason Codes for QUERY MEMBER Command

Return Code	Reason Code	Meaning
X'00000000'	X'00000000'	The QUERY MEMBER TYPE(IMS) command completed successfully.
X'00000014'	X'00005004'	The QUERY MEMBER command failed because a DFSOCMD response buffer could not be obtained.

Errors unique to the processing of this command are returned as a completion codes. A completion code is returned for each action against an individual member.

Table 118 contains the completion code that can be returned on a QUERY MEMBER command.

Table 118. Completion Codes for QUERY MEMBER

Completion Code	Meaning
0	The QUERY MEMBER TYPE(IMS) command completed successfully for this IMS.

## Examples for QUERY MEMBER Command

This section provides OM API and TSO SPOC input and output examples and explanations for the QUERY command.

### Example 1 for QUERY MEMBER TYPE(IMS) Command

TSO SPOC input:

```
QRY MEMBER TYPE(IMS) SHOW(ALL)
```

TSO SPOC output:

```
MbrName   CC Type  Status LclAttr LclStat   ModId
SYS3      0 IMS           1
```

OM API input:

```
CMD(QRY MEMBER TYPE(IMS) SHOW(ALL))
```

OM API output:

```
<imsout>
<ctl>
<omname>OM10M  </omname>
<omvsn>1.1.0</omvsn>
<xm1vsn>1  </xm1vsn>
<statime>2002.163 16:32:12.998765</statime>
<stotime>2002.163 16:32:12.999775</stotime>
<staseq>B7C4B78AFD86D562</staseq>
<stoseq>B7C4B78AFDC5FA80</stoseq>
<rqsttkn1>USRT002 10093212</rqsttkn1>
<rc>00000000</rc>
```

```

<rsn>00000000</rsn>
</ctl>
<cmd>
<master>SYS3 </master>
<userid>USRT002 </userid>
<verb>QRY </verb>
<kwd>MEMBER </kwd>
<input>QRY MEMBER TYPE(IMS) SHOW(ALL)</input>
</cmd>
<cmdrsphdr>
<hdr slbl="MBR" llbl="MbrName" scope="LCL" sort="a" key="1" scroll="no" len="8"
dtype="CHAR" align="left" />
<hdr slbl="CC" llbl="CC" scope="LCL" sort="n" key="0" scroll="yes" len="4"
dtype="INT" align="right" />
<hdr slbl="TYP" llbl="Type" scope="LCL" sort="n" key="0" scroll="yes" len="5"
dtype="CHAR" align="left" />
<hdr slbl="STT" llbl="Status" scope="GBL" sort="n" key="0" scroll="yes" len="*"
dtype="CHAR" align="left" />
<hdr slbl="LATTR" llbl="LclAttr" scope="LCL" sort="n" key="0" scroll="yes" len="*"
dtype="CHAR" align="left" />
<hdr slbl="LSTT" llbl="LclStat" scope="LCL" sort="n" key="0" scroll="yes" len="*"
dtype="CHAR" align="left" />
<hdr slbl="MODI" llbl="ModId" scope="LCL" sort="n" key="0" scroll="yes" len="8"
dtype="CHAR" align="right" /></cmdrsphdr>
<cmdrspdata>
<rsp>MBR(SYS3 ) CC( 0) TYP(IMS) MODI( 1) </rsp>
</cmdrspdata>
</imsout>

```

Explanation: IMS member SYS3 is active in the IMSplex.

## Example 2 for QUERY MEMBER TYPE(IMS) Command

TSO SPOC input:

```
QRY MEMBER TYPE(IMS) SHOW(ALL)
```

TSO SPOC output:

MbrName	CC	Type	Status	LclAttr	LclStat	ModId
SYS3	0	IMS			LEOPT	1

OM API input:

```
CMD(QRY MEMBER TYPE(IMS) SHOW(ALL))
```

OM API output:

```

<imsout>
<ctl>
<omname>OM10M </omname>
<omvsn>1.1.0</omvsn>
<xmlvsn>1 </xmlvsn>
<statime>2002.163 16:42:10.557119</statime>
<stotime>2002.163 16:42:10.557503</stotime>
<staseq>B7C4B9C4DDCBF28D</staseq>
<stoseq>B7C4B9C4DDE3F02D</stoseq>
<rqsttkn1>USRT002 10094210</rqsttkn1>
<rc>00000000</rc>
<rsn>00000000</rsn>
</ctl>
<cmd>
<master>SYS3 </master>
<userid>USRT002 </userid>
<verb>QRY </verb>
<kwd>MEMBER </kwd>
<input>QRY MEMBER TYPE(IMS) SHOW(ALL) </input>
</cmd>
<cmdrsphdr>

```

```
<hdr s1bl="MBR" llbl="MbrName" scope="LCL" sort="a" key="1" scroll="no" len="8"
dtype="CHAR" align="left" />
<hdr s1bl="CC" llbl="CC" scope="LCL" sort="n" key="0" scroll="yes" len="4"
dtype="INT" align="right" />
<hdr s1bl="TYP" llbl="Type" scope="LCL" sort="n" key="0" scroll="yes" len="5"
dtype="CHAR" align="left" />
<hdr s1bl="STT" llbl="Status" scope="GBL" sort="n" key="0" scroll="yes" len="*"
dtype="CHAR" align="left" />
<hdr s1bl="LATTR" llbl="LclAttr" scope="LCL" sort="n" key="0" scroll="yes" len="*"
dtype="CHAR" align="left" />
<hdr s1bl="LSTT" llbl="LclStat" scope="LCL" sort="n" key="0" scroll="yes" len="*"
dtype="CHAR" align="left" />
<hdr s1bl="MODI" llbl="ModId" scope="LCL" sort="n" key="0" scroll="yes" len="8"
dtype="CHAR" align="right" />
</cmdrsphdr>
<cmdrspdata>
<rsp>MBR(SYS3 ) CC( 0) TYP(IMS) LSTT(LEOPT) MODI( 1) </rsp>
</cmdrspdata>
</imsout>
```

Explanation: IMS member SYS3 is active in the IMSplex. The local status shows that LE runtime option overrides are enabled.

### Example 3 for QUERY MEMBER TYPE(IMS) Command

TSO SPOC input:

QRY MEMBER TYPE(IMS) SHOW(ALL)

TSO SPOC output:

```
Response for: QUERY MEMBER TYPE(IMS) SHOW(ALL)
MbrName CC Type Status LclAttr LclStat ModId
IMS2 0 IMS SHAREDQ,GBLOLC 1
IMS3 0 IMS SHAREDQ,GBLOLC 1
SYS3 0 IMS SHAREDQ,GBLOLC 1
```

OM API input:

CMD (QRY MEMBER TYPE(IMS) SHOW(ALL))

OM API output:

```
<imsout>
<ctl>
<omname>OM10M </omname>
<omvsn>1.1.0</omvsn>
<xmlvsn>1 </xmlvsn>
<statime>2002.163 15:13:05.255654</statime>
<stotime>2002.163 15:13:06.479196</stotime>
<staseq>B7C4A5DB308E6544</staseq>
<stoseq>B7C4A5DC5B45C385</stoseq>
<rqsttkn1>USRT011 10081304</rqsttkn1>
<rc>00000000</rc>
<rsn>00000000</rsn>
</ctl>
<cmd>
<master>IMS3 </master>
<userid>USRT011</userid>
<verb>QRY</verb>
<kwd>MEMBER</kwd>
<input>QUERY MEMBER TYPE(IMS) SHOW(ALL)</input>
</cmd>
<cmdrsphdr>
<hdr s1bl="MBR" llbl="MbrName" scope="LCL" sort="a" key="1" scroll="no" len="8"
dtype="CHAR" align="left" />
<hdr s1bl="CC" llbl="CC" scope="LCL" sort="n" key="0" scroll="yes" len="4"
dtype="INT" align="right" />
```

```

<hdr s1bl="TYP" 11bl="Type" scope="LCL" sort="n" key="0" scroll="yes" len="5"
dtype="CHAR" align="left" />
<hdr s1bl="STT" 11bl="Status" scope="GBL" sort="n" key="0" scroll="yes" len="*"
dtype="CHAR" align="left" />
<hdr s1bl="LATTR" 11bl="LclAttr" scope="LCL" sort="n" key="0" scroll="yes" len="*"
dtype="CHAR" align="left" />
<hdr s1bl="LSTT" 11bl="LclStat" scope="LCL" sort="n" key="0" scroll="yes" len="*"
dtype="CHAR" align="left"/>
<hdr s1bl="MODI" 11bl="ModId" scope="LCL" sort="n" key="0" scroll="yes" len="8"
dtype="CHAR" align="right"/>
</cmdrsphdr>
<cmdrspdata>
<rsp>MBR(IMS3 ) CC( 0) TYP(IMS) LATTR(SHAREDQ,GBLOLC) MODI( 1) </rsp>
<rsp>MBR(IMS2 ) CC( 0) TYP(IMS) LATTR(SHAREDQ,GBLOLC) MODI( 1) </rsp>
<rsp>MBR(SYS3 ) CC( 0) TYP(IMS) LATTR(SHAREDQ,GBLOLC) MODI( 1) </rsp>
</cmdrspdata>
</imsout>

```

Explanation: IMS members SYS3, IMS2, and IMS3 are active in the IMSplex. All three IMSs have shared queues enabled and global online change enabled.

---

## QUERY OLC

2 For an IMS running with RM (RMENV=Y), the QUERY OLC command returns  
 2 information about the OLCSTAT DS that is shared by all of the IMS systems  
 2 participating in global online change. The command response is the same for all of  
 2 the IMS systems. QUERY OLC is valid for an IMS enabled for global online change  
 2 but it is not valid for an IMS enabled for local online change. QUERY OLC is not  
 2 supported on an XRF alternate, an RSR tracker, or an FDR region. It can only be  
 2 specified through the OM API.

2 The QUERY OLC LIBRARY command displays information about global online change,  
 2 such as the current online change libraries and the IMSs that are current with the  
 2 online change libraries. QUERY OLC LIBRARY(OLCSTAT) displays the contents of the  
 2 global online change status data set, OLCSTAT. Specifying the SHOW keyword  
 2 may optionally show the current active online change libraries, the list of IMSs that  
 2 are current with the online change libraries, the modify id, and the last online  
 2 change that was done.

2 For an IMS running without RM services (RMENV=N), the QUERY OLC command  
 2 returns information about the local OLCSTAT DS of an IMS system. The command  
 2 response is different for each IMS because each IMS is required to have a unique  
 2 OLCSTAT DC. In a no RM environment, if more than one IMS is specified in the  
 2 route list for the QUERY OLC, only the OLCSTAT DS information for the command  
 2 IMS master is returned. To obtain OLCSTAT DS information from each IMS that is  
 2 running without RM, the QUERY OLC command must be issued separately to each  
 2 IMS. To determine which IMSs are defined with RMENVNO, issue a QUERY MEMBER  
 2 SHOW(ATTRIB) command.

The command syntax for this command is defined in XML and is available to automation programs which communicate with OM.

### LIBRARY

Online change library. The library can be the following:

#### OLCSTAT

OLCSTAT data set contents.

### SHOW()

Specifies the library information returned.

**ALL** Returns all the output fields.

**ACTVLIB**

Displays the suffixed online change library names that are currently active. This includes ACBLIBA or ACBLIBB, FMTLIBA or FMTLIBB, and MODBLKSA or MODBLKSB. These are the online change libraries the IMS online system must use at IMS initialization time.

**DSN** OLCSTAT data set name.

**LASTOLC**

Displays the last online change that was successfully performed. If an IMS was down during the last online change and its restart type does not conflict with the last online change that was performed, it will be permitted to warmstart. The last online change type is blank, if no online changes have been done. The last online change type is one or more of the following, if at least one online change has been done:

- ACBLIB
- FMTLIB
- MODBLKS

**MBRLIST**

Displays the list of IMSs that are current with the online change libraries. These are the IMSs that will be permitted to warmstart. The IMSs either participated in the last online change, or coldstarted since the last online change.

**MODID**

Modify id. The modify id -1 represents the number of global online changes that have been performed.

## QUERY OLC Output Fields

Table 119 shows the QUERY OLC output fields. The columns in the table are as follows:

**Short Label**

Contains the short label generated in the XML output.

**Keyword**

Identifies the keyword on the command that caused the field to be generated. N/A appears for output fields that are always returned.

**Scope** Identifies the scope of the output field.

**Meaning**

Provides a brief description of the output field.

*Table 119. Output Fields for the QUERY OLC Command*

Short Label	Keyword	Scope	Meaning
MBR	N/A	N/A	IMSpIex member that built output line. IMS identifier of the IMS that build the output. IMS identifier is always returned.
CC	N/A	N/A	Completion code for the line of output. The completion code indicates whether or not IMS was able to process the command for the specified library. Refer to Table 121 on page 513 for more information. The completion code is always returned.

Table 119. Output Fields for the QUERY OLC Command (continued)

Short Label	Keyword	Scope	Meaning
LIB	N/A	GBL	Library name. Can be OLCSTAT.
ACBL	ACTVLIB	GBL	Current ACBLIB library. A means the current ACBLIB library is ACBLIBA. B means the current ACBLIB library is ACBLIBB.
FMTL	ACTVLIB	GBL	Current FMTLIB library. A means the current FMTLIB library is FMTLIBA. B means the current FMTLIB library is FMTLIBB.
MODB	ACTVLIB	GBL	Current MODBLKS and MATRIX libraries. A means the current libraries are MODBLKSA and MATRIXA. B means the current libraries are MODBLKSB and MATRIXB.
DSN	DSN	GBL	OLCSTAT data set name.
LAST	LASTOLC	GBL	The last successful online change that was successfully performed. If an IMS was down during the last online change and its restart type does not conflict with the last online change that was performed, it will be permitted to warmstart. The online change type may include one or more of the following: <ul style="list-style-type: none"> <li>• ACBLIB</li> <li>• FMTLIB</li> <li>• MODBLKS</li> </ul>
MBRL	MBRLIST	GBL	List of IMSplex members that are current with the online change libraries. These are the IMSs that will be permitted to warmstart. The IMSs either participated in the last online change, or coldstarted since the last online change.
MODI	MODID	GBL	Current modify id. The modify id - 1 is the number of successful global online changes that have been performed.

## Return, Reason, and Completion Codes for QUERY OLC

The return and reason codes that can be returned as a result of the QUERY OLC command are standard for all commands entered through the OM API. Refer to the OM Return and Reason code section in the *IMS Version 9: Common Service Layer Guide and Reference* for the list of codes and their meanings.

Table 120 on page 513 contains the return and reason codes that can be returned to OM from a QUERY OLC command.



Table 120. Return and Reason Codes for the QUERY OLC Command

Return Code	Reason Code	Meaning
X'00000000'	X'00000000'	The QUERY OLC command completed successfully.
X'00000004'	X'00001000'	The QUERY OLC command was not processed on the IMS system as the IMS system is not the command master. No information is returned.
X'00000010'	X'0000400C'	The QUERY OLC command failed because it is invalid for an XRF alternate.
X'00000010'	X'00004014'	The QUERY OLC command failed because it is invalid for an RSR tracker.
X'00000010'	X'0000401C'	The QUERY OLC command failed because it is invalid for an FDR region.
X'00000010'	X'0000410C'	The QUERY OLC command is rejected, because global online change is not enabled. Local online change is enabled. Use the /DISPLAY MODIFY command for local online change. If your IMSplex is made up of some IMSs that support global online change and some that support local online change, route the QUERY OLC command to an IMS that is enabled for global online change. Issue the QUERY MEMBER TYPE(IMS) SHOW(ATTRIB) command to choose an IMS that has global online change enabled.
X'00000010'	X'00004114'	The QUERY OLC LIBRARY(OLCSTAT) command failed because of an error accessing the OLCSTAT data set.  A DFS2843 message is sent to the OM output exit as unsolicited output.
X'00000010'	X'00004118'	The QUERY OLC LIBRARY(OLCSTAT) command failed because of an error allocating the OLCSTAT data set.  A DFS2848 message is sent to the OM output exit as unsolicited output.
X'00000010'	X'0000411C'	The QUERY OLC LIBRARY(OLCSTAT) command failed because of an error in the OLCSTAT data set contents. One or more of the values is invalid.  A DFS2844 message is sent to the OM output exit as unsolicited output.
X'00000014'	X'00005004'	The QUERY OLC command processing failed because a DFSOCMD response buffer could not be obtained.
X'00000014'	X'00005FFF'	The QUERY OLC command failed because of an internal IMS error.

Errors unique to the processing of this command are returned as a completion codes. A completion code is returned for each action against an individual library.

Table 121 contains the completion codes that can be returned on a QUERY OLC command.

Table 121. Completion Codes for the QUERY OLC Command

Completion Code	Meaning
0	The QUERY OLC command completed successfully for the library.

## Examples for QUERY OLC Command

This section provides OM API and TSO SPOC input and output examples and explanations for the QUERY command.

### Example 1 for QUERY OLC Command

TSO SPOC input:

```
QRY OLC LIBRARY(OLCSTAT) SHOW(ACTVLIB,MODID,MBRLIST)
```

TSO SPOC output:

```
Response for: QUERY OLC LIBRARY(OLCSTAT) SHOW(ACTVLIB,MODID,MBRLIST)
MbrName   CC Library   ACBLIB   FMTLIB   MODBLKS   Modid MbrList
MS3       0 OLCSTAT     B         A         B         1 IMS3,IMS2,SYS3
```

OM API input:

```
CMD (QRY OLC LIBRARY(OLCSTAT) SHOW(ACTVLIB,MODID,MBRLIST))
```

OM API output:

```
<imsout>
<ctl>
<omname>OM10M </omname>
<omvsn>1.1.0</omvsn>
<xmlvsn>1 </xmlvsn>
<statime>2002.163 15:22:43.468642</statime>
<stotime>2002.16315:22:45.400709</stotime>
<staseq>B7C4A8029DD62884</staseq>
<stoseq>B7C4A80475885248</stoseq>
<rqsttkn1>USRT011 10082243</rqsttkn1>
<rc>0200000C</rc>
<rsn>00003000</rsn>
</ctl>
<cmderr>
<mbr name="IMS2 ">
<typ>IMS </typ>
<styp>DBDC</styp>
<rc>00000004</rc>
<rsn>00001000</rsn>
</mbr>
<mbr name="SYS3 ">
<typ>IMS </typ>
<styp>DBDC </styp>
<rc>00000004</rc>
<rsn>00001000</rsn>
</mbr>
</cmderr>
<cmd>
<master>IMS3 </master>
<userid>USRT011 </userid>
<verb>QRY </verb>
<kwd>OLC </kwd>
<input>QUERY OLC LIBRARY(OLCSTAT) SHOW(ACTVLIB,MODID,MBRLIST)</input>
</cmd>
<cmdrsphdr>
<hdr s1b1="MBR" l1b1="MbrName" scope="LCL" sort="a" key="1" scroll="no" len="8"
dtype="CHAR" align="left" />
<hdr s1b1="CC" l1b1="CC" scope="LCL" sort="n" key="0" scroll="yes" len="4"
dtype="INT" align="right" />
<hdr s1b1="LIB" l1b1="Library" scope="GBL" sort="a" key="1" scroll="no" len="8"
dtype="CHAR" align="left" />
<hdr s1b1="ACBL" l1b1="ACBLIB" scope="GBL" sort="n" key="0" scroll="yes" len="8"
dtype="CHAR" align="right" />
<hdr s1b1="FMTL" l1b1="FMTLIB" scope="GBL" sort="n" key="0" scroll="yes" len="8"
dtype="CHAR" align="right" />
<hdr s1b1="MODB" l1b1="MODBLKS" scope="GBL" sort="n" key="0" scroll="yes" len="8"
```

```

dtype="CHAR" align="right" />
<hdr s1b1="MODI" l1b1="Modid" scope="GBL" sort="n" key="0" scroll="yes" len="8"
dtype="CHAR" align="right" />
<hdr s1b1="MBRL" l1b1="MbrList" scope="GBL" sort="n" key="0" scroll="yes" len="*"
dtype="CHAR" align="left"/>
</cmdrsphdr>
<cmdrspdata>
<rsp>MBR(IMS3 ) CC( 0) LIB(OLCSTAT ) ACBL(B) FMTL(A) MODB(B) MODI( 1)
MBRL(IMS3,IMS2,SYS3) </rsp>
</cmdrspdata>
</imsout>

```

Explanation: QUERY OLC LIBRARY(OLCSTAT) displays the contents of the OLCSTAT data set, which contains global online change status. This command displays the active online change libraries, the modify id, and the list of IMS members that are current with the online change libraries and may therefore warm list. The output shows that the ACBLIBB data set is active, the FMTLIBB data set is active, the MODBLKSB data set is active, and the modify id is 2. SYS3 was the command master that built the output.

### Example 2 for QUERY OLC Command

TSO SPOC input:

```
QRY OLC LIBRARY(OLCSTAT) SHOW(DSN)
```

TSO SPOC output:

```

MbrName      CC Library  DSName
IMS3         0 OLCSTAT  IMSTESTL.IMS02.OLCSTAT

```

OM API input:

```
CMD (OLC LIBRARY(OLCSTAT) SHOW(DSN))
```

OM API output:

```

<imsout>
<ctl>
<omname>OM10M </omname>
<omvsn>1.1.0</omvsn>
<xm1vsn>1 </xm1vsn>
<statime>2002.163 15:28:36.353742</statime>
<stotime>2002.16315:28:36.426823</stotime>
<staseq>B7C4A953276CE286</staseq>
<stoseq>B7C4A95339447348</stoseq>
<rqsttkn1>USRT011 10082836</rqsttkn1>
<rc>0200000C</rc><rsn>00003000</rsn>
</ctl>
<cmderr>
<mbr name="IMS2 ">
<typ>IMS </typ>
<styp>DBDC </styp>
<rc>00000004</rc>
<rsn>00001000</rsn>
</mbr>
<mbr name="SYS3 ">
<typ>IMS </typ>
<styp>DBDC </styp>
<rc>00000004</rc>
<rsn>00001000</rsn>
</mbr>
</cmderr>
<cmd>
<master>IMS3 </master>
<userid>USRT011 </userid>
<verb>QRY </verb>

```

```

<kwd>OLC </kwd>
<input>QUERY OLC LIBRARY(OLCSTAT) SHOW(DSN)</input>
</cmd>
<cmdrsphdr>
<hdr s1b1="MBR" l1b1="MbrName" scope="LCL" sort="a" key="1" scroll="no" len="8"
dtype="CHAR" align="left" />
<hdr s1b1="CC" l1b1="CC" scope="LCL" sort="n" key="0" scroll="yes" len="4"
dtype="INT" align="right" />
<hdr s1b1="LIB" l1b1="Library" scope="GBL" sort="a" key="1" scroll="no" len="8"
dtype="CHAR" align="left" />
<hdr s1b1="DSN" l1b1="DSName" scope="GBL" sort="n" key="0" scroll="yes" len="8"
dtype="CHAR" align="left" />
</cmdrsphdr>
<cmdrspdata>
<rsp>MBR(IMS3 ) CC( 0) LIB(OLCSTAT ) DSN(IMSTESTL.IMS02.OLCSTAT) </rsp>
</cmdrspdata>
</imsout>

```

Explanation: This QUERY OLC command displays the OLCSTAT data set name. IMS3 was the command master that built the output.

---

## QUERY STRUCTURE

The QUERY STRUCTURE command displays information about IMS coupling facility structure(s) used by members of an IMSplex.

In IMS Version 9, this command is supported only by RM to return information about a resource structure.

The command syntax for this command is defined in XML and is available to automation programs which communicate with OM.

### NAME()

Specifies the names of the structures for which information is to be returned. The structure name may be a generic parameter, to allow easy specification of a group of structures whose names match a generic parameter mask.

### SHOW()

Specifies the output fields to be returned. If SHOW is not specified, only the structure names, IMSplex member that builds the output line, and completion codes are returned. This provides a method for a system management application to obtain a list of all structure names. This can be used to determine the resource structure that is managed by RM. The parameters supported with the SHOW keyword are as follows:

**ALL** Returns all the output fields.

### STATISTICS

Displays statistics information for the structures that match the specification in the NAME() parameter.

**TYPE** Returns the type of the specified structure. For example, the type may be RSRC, which identifies a resource structure.

## QUERY STRUCTURE Output Fields

Table 122 on page 517 contains information about the output fields for QUERY STRUCTURE. The columns in the table are as follows:

### Short Label

Contains the short label generated in the XML output.

**Keyword**

Identifies the keyword on the command that caused the field to be generated. N/A appears for output fields that are always returned.

**Meaning**

Provides a brief description of the output field.

*Table 122. Output Fields for the QUERY STRUCTURE Command*

Short Label	Keyword	Meaning
STRNM	N/A	Resource structure name. The structure name is always returned.
MBR	N/A	IMSpIex member that built the output line. The RM identifier of the RM that built the output line.
CC	N/A	Completion code for the line of output. The completion code is always returned.
TYP	TYPE	Structure type. In IMS Version 9, only resource type RSRC is supported.
LEA	STATISTICS	Number of list entries that are allocated in the structure.
LEI	STATISTICS	Number of list entries in use in the structure.
ELMA	STATISTICS	Number of data elements that are allocated in the structure.
ELMI	STATISTICS	Number of data elements in use in the structure.
RATIO	STATISTICS	Entry to element ratio. It is in the format of list entries/data elements.

## Return, Reason, and Completion Codes for QUERY STRUCTURE

The return and reason codes that can be returned as a result of the QUERY STRUCTURE command are standard for all commands entered through the OM API. Refer to the OM Return and Reason code section in the *IMS Version 9: Common Service Layer Guide and Reference* for the list of codes and their meanings.

Table 123 on page 519 contains the return and reason codes that can be returned to OM from a QUERY STRUCTURE command.

Table 123. Return and Reason Codes for the QUERY STRUCTURE Command

Return Code	Reason Code	Meaning
X'00000000'	X'00000000'	The QUERY STRUCTURE command completed successfully.
X'0300000C'	X'00003000'	The QUERY STRUCTURE command is successful for at least one resource name. The QUERY STRUCTURE command is not successful for one or more resource names. The Completion Code indicates the reason for the error with the resource name. The Completion Codes that can be returned by the QUERY STRUCTURE command are listed in the QUERY STRUCTURE completion code table.
X'0300000C'	X'00003004'	No requests were successful. The resource name(s) specified may be invalid or there were no resources that match the filter specified.
X'03000014'	X'0000502C'	The QUERY STRUCTURE command processing terminated. RM was unable to obtain storage for the command output header.
X'03000014'	X'00005030'	The QUERY STRUCTURE command processing terminated. RM was unable to obtain storage for the command output response.
X'03000014'	X'00005200'	The QUERY STRUCTURE command processing terminated due to an unexpected CQS error.

Errors unique to the processing of this command are returned as a completion codes. A completion code is returned for each action against an individual resource.

Table 124 contains the completion codes that can be returned on a QUERY STRUCTURE command.

Table 124. Completion Codes for the QUERY STRUCTURE Command

Completion Code	Meaning
0	The QUERY STRUCTURE command completed successfully for the resource.
4	The structure name is unknown to the client that is processing the request. The structure name may have been typed in error or the structure may not be defined or allocated at this time. If this is a wildcard request there were no matches for the name. Confirm the correct spelling of the structure name is specified on the command.

## Example for QUERY STRUCTURE

This section provides OM API and TSO SPOC input and output examples and explanations for the QUERY command.

### Example 1 for QUERY STRUCTURE Command

TSO SPOC input:

```
QRY STRUCTURE SHOW(STATISTICS)
```

TSO SPOC output:

```
StructureName  MbrName  CC  LeAlloc  LeInuse  ElmAlloc  ElmInuse  LE/EL
IMSRRC01      RM1RM    0   3577    676     3574     24 0001/0001
```

OM API input:

```
CMD (QRY STRUCTURE SHOW(STATISTICS))
```

OM API output:

```
<imsout>
<ctl>
<omname>OM10M </omname>
<omvsn>1.1.0</omvsn>
<xm1vsn>1</xm1vsn>
<statime>2002.16314:31:34.901057</statime>
<stotime>2002.16314:31:34.941134</stotime>
<staseq>B7C49C9433D410C1</staseq>
<stoseq>B7C49C943D9CEC44</stoseq>
<rqsttkn1>USRT011 10073134</rqsttkn1>
<rc>00000000</rc>
<rsn>00000000</rsn>
</ctl>
<cmd>
<master>RM1RM </master>
<userid>USRT011</userid>
<verb>QRY </verb>
<kwd>STRUCTURE</kwd>
<input>QUERY STRUCTURE SHOW(ALL)</input>
</cmd>
<cmdrsphdr>
<hdr s1b1="STRNM" l1b1="StructureName" scope="LCL" sort="A" key="1" scroll="NO"
len="16" dtype="CHAR" align="left" />
<hdr s1b1="MBR" l1b1="MbrName" scope="LCL" sort="N" key="0" scroll="NO" len="8"
dtype="CHAR" align="left" />
<hdr s1b1="CC" l1b1="CC" scope="LCL" sort="N" key="0" scroll="YES" len="4"
dtype="INT" align="right" />
<hdr s1b1="TYP" l1b1="Type" scope="LCL" sort="N" key="0" scroll="YES" len="8"
dtype="CHAR" align="left" />
<hdr s1b1="LEA" l1b1="LeAlloc" scope="LCL" sort="N" key="0" scroll="YES" len="4"
dtype="INT" align="right" />
<hdr s1b1="LEI" l1b1="LeInuse" scope="LCL" sort="N" key="0" scroll="YES" len="4"
dtype="INT" align="right" />
<hdr s1b1="ELMA" l1b1="ElmAlloc" scope="LCL" sort="N" key="0" scroll="YES" len="4"
dtype="INT" align="right" />
<hdr s1b1="ELMI" l1b1="ElmInuse" scope="LCL" sort="N" key="0" scroll="YES" len="4"
dtype="INT" align="right" />
<hdr s1b1="RATIO" l1b1="LE/EL" scope="LCL" sort="N" key="0" scroll="YES" len="9"
dtype="CHAR" align="left" />
</cmdrsphdr>
<cmdrspdata>
<rsp>STRNM(IMSRSRC01) MBR(RM1RM) CC( 0) TYP(RSRC) LEA(3577) LEI( 676) ELMA(3574)
ELMI( 24) RATIO(0001/0001)</rsp>
</cmdrspdata>
</imsout>
```

Explanation: This command displays all of the resource structures in the IMSplex and their statistics. Only one resource structure is defined, IMSRSRC01. The list entries allocated on the resource structure is 3577, the list entries in use on the structure is 680. The data elements allocated is 3574, the data elements in use is 32. The list entry to data element ratio on the resource structure is one to one. Not many list entries or data elements are in use on the resource structure, so the resource structure is not approaching full.

---

## QUERY TRAN

- 2 The QUERY TRAN command displays information about transactions (for example,
- 2 class, status, queue count and others) across the IMSplex. This command can be
- 2 specified only through the OM API and is valid on an XRF alternate.



2 The transaction information displayed depends if the IMS issuing the QUERY TRAN  
 2 command is running with RM services or not. If QUERY TRAN is issued by an IMS  
 2 command master running without RM, all transaction information local to that IMS is  
 2 returned. If QUERY TRAN is issued by an IMS command master running with RM, the  
 2 IMS command master retrieves global information from CQS or RM as specified.

2 If QUERY TRAN is routed for global information to all IMSs in an environment where  
 2 some IMSs use RM services and other IMSs do not, the command results will vary  
 2 because any of the IMS systems can be the command master. The RM  
 2 environment of the IMS command master affects the type of transaction information  
 2 that is displayed. You may want to route QUERY TRAN to specific IMS systems if  
 2 some IMSs are using RM. Below are two examples of why you may receive  
 2 different command results:

- 2 1. The IMSplex has non-cloned systems and the transaction is only defined by an  
 2 IMS that has RMENV=N. The IMS command master is running with RM  
 2 services, but because the transaction is not defined to RM, no global  
 2 information is obtained. The results are two response lines:
  - 2 • The IMS command master returns the transaction name as invalid.
  - 2 • The IMS with RMENV=N returns its local information.
- 2 2. The IMSplex has non-cloned systems. If global queue counts are requested,  
 2 and the IMS command master does not have RM running, no global queue  
 2 counts are returned for transactions that are not defined locally at the command  
 2 master. All other IMSs return only their local information.

### CLASS()

Displays transactions that possess at least one of the specified classes. This allows for additional filtering by CLASS value. If a STATUS, CLASS, or QCNT filter is not specified, all of the transactions matching the transaction name are returned.

The output returned when the CLASS filter is specified includes the class value of the transaction that caused the transaction name to be displayed even if the SHOW(CLASS) option is not specified.

### NAME()

Displays the transactions or group of transactions whose name matches the generic or wildcard parameter specified. If a STATUS, CLASS, or QCNT filter is not specified, all of the transactions matching the transaction name are returned.

### QCNT()

Selects transactions that have a queue count less than (LT), less than or equal to (LE), greater than (GT), greater than or equal to (GE), equal to (EQ), or not equal to (NE) the specified numbers. The specified number cannot be a 1 when LT is specified. This allows additional filtering by QCNT value.

Transactions with a queue count of 0 are not returned when the QCNT filter is specified. When a filter of QCNT(LT,n) is specified, transactions with a queue count greater than 0 and less than 'n' are returned. If a STATUS, CLASS, or QCNT filter is not specified, all of the transactions matching the transaction name are returned.

The QCNT filter is valid in both a shared queues environment and a non shared queues environment.

In a shared queues environment, if QCNT is specified, the performance implication is that the shared queues are read. In this environment, the QRY

TRAN QCNT command is processed only by the master IMS as the queues are global. The command master returns all the transactions on the shared queues that match the queue count filter specified. If QCNT is specified with a wildcard transaction name, the performance implication is that all of the shared queues transaction messages on the Coupling Facility must be read.

In a non shared queues environment, the local queue count values are used to determine the transactions to be displayed. In this environment, the QRY TRAN QCNT command is processed by each IMS the command is routed to as the queues are local. Each IMS returns all the transactions it found locally that match the queue count filter specified.

The output returned when the QCNT filter is specified includes the queue count of the transaction that caused the transaction name to be displayed even if the SHOW(QCNT) option is not specified.

### SHOW()

Specifies the transaction output fields to be returned. The transaction name is always returned along with the name of the IMS that created the output for the transaction and the completion code. If SHOW is not specified, only the transaction names are returned provided the QCNT, CLASS or STATUS filter is not specified. This provides a method for a system management application to obtain a list of transactions matching the transaction name that are currently known in the IMSplex.

**ALL** Returns all the output fields both local and global values except the affinity of the messages on the shared queues. This affinity that is shown when the AFFIN option is specified is valid only with the QCNT filter and is ignored for the other flavors of the QRY TRAN command. Global values are only returned for those status fields and attributes for which global information is kept for the IMSplex. In IMS Version 9, only the QCNT attribute may have both local and global values.

**AFFIN** IMS affinity of the messages on the shared queues. The only SHOW option supported when the QCNT() filter is specified is the AFFIN option. No other SHOW options are supported with the QCNT() filter due to performance reasons.

AFFIN is valid only in a shared queues environment and is ignored in a non-shared queues environment.

### CLASS

Scheduling class used to determine which message regions can process the transaction locally on a particular IMS.

**CPRI** Local current scheduling priority.

**LCT** Limit count in the local IMS.

**LPRI** Local limit scheduling priority.

### MAXRGN

Local maximum region count.

**NPRI** Local normal scheduling priority.

### PARLIM

Local parallel processing limit count. If load balancing is disabled a numeric value of 65535 is returned. If load balancing is enabled, the PARLIM value between 0-37327 is returned.

- PLCT** Local processing limit count.
- PSB** PSB name associated with the transaction.
- QCNT** Local transaction message queue count.
- RGC** Number of regions the transaction is currently scheduled in the local IMS.

**SEGNO**

Local application program output segment limit allowed in the message queues for each GU call.

**SEGSZ**

Local application program output segment size limit allowed in the message queues for each GU call.

**STATUS**

Local transaction status.

**STATUS()**

Selects transactions for display that possess at least one of the specified transaction status. This allows for additional filtering by transaction status. If a STATUS, CLASS, or QCNT filter is not specified, all of the transactions matching the transaction name are returned.

The output returned when the STATUS filter is specified includes the status of the transaction that caused the transaction name to be displayed even if the SHOW(STATUS) option is not specified.

RM does not keep any global status for transactions, so all status is local. In a follow-on release, RM will keep certain types of global transaction status. At that time, filtering by transaction status will filter on both local and global status.

**BAL** Transaction is eligible for load balancing (for example, with parallel limits specified).

**CONV** This is a conversational transaction.

**CPIC** This CPI-C transaction was built dynamically on this IMS system and can process only on this IMS system.

**DYN** Transaction was built in a shared queues environment, is not defined to this IMS, and therefore, cannot be scheduled in this IMS subsystem.

**FPE** This transaction is Fast Path exclusive.

**FPP** This transaction is Fast Path potential.

**IOPREV**

Indicates that a BMP program containing GSAM cannot completed scheduling because I/O prevention has not completed. Further I/O requests to data sets are inhibited.

**LCK** Transaction locked by a /LOCK TRANSACTION command.

**QERR** I/O error has occurred on this queue for this MSC remote transaction.

**RESP** Response mode transaction.

**RMT** Remote transaction.

**SUSPEND**

Transaction has messages on the suspend queue.

**STOQ** Transaction is stopped for queueing. This might be due to a previous UPDATE TRAN, /PURGE TRAN or /STO TRAN command.

**STOSCHD**

Transaction is stopped for scheduling. This might be due to a previous UPDATE TRAN, /PSTOP TRAN or /STO TRAN command or an application abend.

**TRACE**

Transaction is being traced.

**USTO** Transaction scheduling stopped because of unavailable data.

**QUERY TRAN Compared to Other Commands**

Table 125 shows different instances of the QUERY TRAN command and other IMS commands that display similar information.

*Table 125. QUERY TRAN Compared to Other Similar Commands*

QUERY TRAN Command	Similar IMS Command
QUERY TRAN NAME(tranname) SHOW(ALL)	/DISPLAY TRAN tranname
QUERY TRAN SHOW(ALL)	/DISPLAY TRAN ALL
QUERY TRAN NAME(tranname) SHOW(QCNT)	/DISPLAY TRAN tranname QCNT
QUERY TRAN NAME(tranname) STATUS(IOPREV,LCK,QERR,SUSPEND,STOQ, STOSCHD,USTO) SHOW(STATUS)	/DISPLAY STATUS TRANSACTION

**QUERY TRAN Output Fields**

Table 126 shows the output fields for the QUERY TRAN command. The columns in the table are as follows:

**Short Label**

Contains the short label generated in the XML output.

**Keyword**

Identifies the keyword on the command that caused the field to be generated. N/A appears for output fields that are always returned.

**Scope** Identifies the scope of the output field.

**Meaning**

Provides a brief description of the output field.

*Table 126. Output Fields for the QUERY TRAN Command*

Short Label	Keyword	Scope	Meaning
TRAN	N/A	N/A	Transaction name. A transaction defines the processing characteristics of messages destined for an application program. The transaction name is always returned.
MBR	N/A	N/A	IMSplex member that built the output line. IMS identifier of IMS that built the output. The IMS identifier is always returned.

Table 126. Output Fields for the QUERY TRAN Command (continued)

Short Label	Keyword	Scope	Meaning
CC	N/A	N/A	Completion code. The completion code indicates whether or not IMS was able to process the command for the specified resource. The completion code is always returned. Refer Table 128 on page 529 for more information.
AFFIN	AFFIN	GBL	Affinity of the messages on the shared queues. AFFIN displays the IMSid/RSEname of the IMS system that the message can be processed on.
LCLS	CLASS	LCL	Scheduling class used to determine which message regions can process the transaction locally on a particular IMS.
LCP	CPRI	LCL	Local current scheduling priority. The current scheduling priority is used to calculate which transaction is selected for scheduling.
LLCT	LCT	LCL	Limit count in the local IMS. The limit count is the number that, when compared to the number of input transactions queued and waiting to be processed, determines whether the normal or limit priority value is assigned to this transaction.
LLP	LPRI	LCL	Local limit scheduling priority. The limit scheduling priority is the priority to which this transaction is raised when the number of input transactions enqueued and waiting to be processed is equal to or greater than the limit count value.
LMRG	MAXRGN	LCL	Local maximum region count. The maximum region count is the maximum number of message processing program (MPP) regions that can be concurrently scheduled to process a transaction that is eligible for parallel scheduling.
LNP	NPRI	LCL	Local normal scheduling priority. The normal scheduling priority is the priority assigned to this transaction when the number of input transactions enqueued and waiting to be processed is less than the limit count value.
LPLM	PARLIM	LCL	Local parallel processing limit count. The parallel limit count is the maximum number of messages that can currently be queued, but not yet processed, by each active message region currently scheduled for this transaction. An additional message region is scheduled whenever the transaction queue count exceeds the PARLIM value multiplied by the number of regions currently scheduled for this transaction.
LPLCT	PLCT	LCL	Local processing limit count. The processing limit count is the number of transaction messages a program can process in a single scheduling.
PSB	PSB	LCL	PSB name associated with the transaction.
Q	QCNT	GBL	Global transaction message queue count on the shared queues. Q is only displayed if shared queues are used.

Table 126. Output Fields for the QUERY TRAN Command (continued)

Short Label	Keyword	Scope	Meaning
LQ	QCNT	LCL	Local transaction message queue count.
RGC	RGC	LCL	Number of regions the transaction is currently scheduled in the local IMS.
LSNO	SEGNO	LCL	Local application program output segment limit allowed in message queues for each GU call.
LSSZ	SEGSZ	LCL	Local application program output segment size limit allowed in the message queues for each GU call.
LSTT	STATUS	LCL	Local transaction status.

## Return, Reason, and Completion Codes for QUERY TRAN

The return and reason codes that can be returned as a result of the QUERY TRAN command are standard for all commands entered through the OM API. Refer to the OM Return and Reason code section in the *IMS Version 9: Common Service Layer Guide and Reference* for the list of codes and their meanings.

Table 127 on page 528 contains the return and reason codes that can be returned to OM from a QUERY TRAN command.

Table 127. Return and Reason Codes for the QUERY TRAN Command

Return Code	Reason Code	Meaning
X'00000000'	X'00000000'	The QUERY TRANcommand completed successfully.
X'00000004'	X'00001000'	The QUERY TRANcommand was not processed on the IMS system as the IMS system is not the command master. No resource information is returned.
X'00000004'	X'00001004'	The QUERY TRAN command was processed for a few resources and a partial list of resources is returned. The command terminated as the resource count to be returned exceeded the maximum number of resources that can be returned by a QUERY TRAN command.  The maximum number of resources that can be returned by a QUERY TRAN command is 5000. Re-issue the command with a generic mask or other filters so the number of resources to be returned is less than 5000.
X'00000004'	X'00001010'	No resources were found to be returned. The resource name(s) specified may be invalid or there were no resources that match the filter specified.
X'00000008'	X'00002040'	The QUERY TRAN command has more than one filter value specified or an invalid filter value is specified for the QCNT filter. Only one of the CLASS, STATUS or QCNT filters may be specified. A value of 0 may have been specified for QCNT with LE, GE or EQ. Or a value of 1 may have been specified for QCNT with LT.
X'00000008'	X'0000204C'	The CLASS value specified is invalid. Confirm the correct CLASS value is specified on the command.
X'0000000C'	X'00003000'	The QUERY TRAN command is successful for at least one resource name. The QUERY TRAN command is not successful for one or more resource names. The Completion Code indicates the reason for the error with the resource name. The Completion Codes that can be returned by the QUERY TRAN command are listed in the QUERY TRAN completion code table.
X'0000000C'	X'00003004'	The QUERY TRAN command is not successful for all the resource name(s) specified. The Completion Code indicates the reason for the error with the resource name. The Completion Codes that can be returned by the QUERY TRAN command are listed in the QUERY TRAN completion code table.
X'00000010'	X'00004014'	The QUERY TRAN command processing terminated as the TRAN keyword is not valid on the RSR tracker.
X'00000010'	X'00004018'	The QUERY TRAN command processing terminated as the RM resource structure is not available.
X'00000010'	X'00004100'	The QUERY TRAN command processing terminated as the resource structure is full.
X'00000010'	X'00004104'	The QUERY TRAN command processing terminated as there is no RM address space.
X'00000010'	X'00004108'	The QUERY TRAN command processing terminated as there is no SCI address space.
X'00000014'	X'00005004'	The QUERY TRAN command processing terminated as a DFSOCMD response buffer could not be obtained.

3



Table 127. Return and Reason Codes for the QUERY TRAN Command (continued)

Return Code	Reason Code	Meaning
X'00000014'	X'00005008'	The QUERY TRAN command processing terminated as the DFSPPOOL storage could not be obtained.
X'00000014'	X'00005100'	The QUERY TRAN command processing terminated due to a RM error.
X'00000014'	X'00005108'	The QUERY TRAN command processing terminated due to a SCI error.

Errors unique to the processing of this command are returned as a completion codes. A completion code is returned for each action against an individual resource.

Table 128 contains completion codes that can be returned on a QUERY TRAN command.

Table 128. Completion Codes for the QUERY TRAN Command

Completion Code	Meaning
0	The QUERY TRAN command completed successfully for the resource.
10	The resource name is unknown to the client that is processing the request. The resource name may have been typed in error or the resource may not be active at this time. If this is a wildcard request there were no matches for the name. Confirm the correct spelling of the resource name is specified on the command.
50	The QUERY TRAN command could not be completed for the resource as CQS is not available. Make sure CQS is available before re-issuing the command.
51	The QUERY TRAN command could not be completed for the resource as there is no resource structure or it is unavailable.
52	The QUERY TRAN command could not be completed for the resource as the resource structure is full.
90	The QUERY TRAN command could not be completed for the resource due to an IMS internal error.
94	The QUERY TRAN command could not be completed for the resource due to a RM error.
98	The QUERY TRAN command could not be completed for the resource due to a CQS error.

## Examples for QUERY TRAN Command

This section provides OM API and TSO SPOC input and output examples and explanations for the QUERY command.

### Example 1 for QUERY TRAN Command

TSO SPOC input:

```
QRY TRAN NAME(OLCFT117,OLCTMSA*,OLCTB14*) SHOW(QCNT,CLASS,STATUS)
```

TSO SPOC output:

```
Trancode MbrName  CC LC1s  LQCnt Lc1Stat
OLCFT117 SYS3    0  1      0  FPE,RESP
OLCTB140 SYS3    0  1      0  BAL
OLCTB141 SYS3    0  5      0
OLCTB148 SYS3    0  1      0  CONV
OLCTMSA1 SYS3    0  1      0  RMT
```

OM API input:

```
CMD(QRY TRAN NAME(OLCFT117,OLCTMSA*,OLCTB14*) SHOW(QCNT,CLASS,STATUS))
```

OM API output:

```
<imsout>
<ctl>
<omname>OM10M </omname>
<omvsn>1.1.0</omvsn>
<xm1vsn>1 </xm1vsn>
<stime>2002.163 17:00:12.393828</stime>
<stotime>2002.163 17:00:12.395024</stotime>
<staseq>B7C4BDCC96164DAB</staseq>
<stoseq>B7C4BDCC96610D2B</stoseq>
<rqsttkn1>USRT002 10100012</rqsttkn1>
<rc>00000000</rc>
<rsn>00000000</rsn>
</ctl>
<cmd>
<master>SYS3 </master>
<userid>USRT002 </userid>
<verb>QRY </verb>
<kwd>TRAN </kwd>
<input>QRY TRAN NAME(OLCFT117,OLCTMSA*,OLCTB14*)
SHOW(QCNT,CLASS,STATUS)</input>
</cmd>
<cmdrsphdr>
<hdr s1bl="TRAN" l1bl="Trancode" scope="LCL" sort="a" key="1" scroll="no" len="8"
dtype="CHAR" align="left" />
<hdr s1bl="MBR" l1bl="MbrName" scope="LCL" sort="a" key="4" scroll="no" len="8"
dtype="CHAR" align="left" />
<hdr s1bl="CC" l1bl="CC" scope="LCL" sort="n" key="0" scroll="yes" len="4"
dtype="INT" align="right" />
<hdr s1bl="LCLS" l1bl="LCLs" scope="LCL" sort="n" key="0" scroll="yes" len="3"
dtype="INT" align="right" />
<hdr s1bl="LQ" l1bl="LQcnt" scope="LCL" sort="d" key="3" scroll="yes" len="8"
dtype="INT" align="right" />
<hdr s1bl="LSTT" l1bl="LclStat" scope="LCL" sort="n" key="0" scroll="yes" len="*"
dtype="CHAR" align="left" />
</cmdrsphdr>
<cmdrspdata>
<rsp>TRAN(OLCFT117) MBR(SYS3 ) CC( 0) LCLS( 1) LQ( 0) LSTT(FPE,RESP) </rsp>
<rsp>TRAN(OLCTMSA1) MBR(SYS3 ) CC( 0) LCLS( 1) LQ( 0) LSTT(RMT) </rsp>
<rsp>TRAN(OLCTB140) MBR(SYS3 ) CC( 0) LCLS( 1) LQ( 0) LSTT(BAL) </rsp>
<rsp>TRAN(OLCTB141) MBR(SYS3 ) CC( 0) LCLS( 5) LQ( 0) </rsp>
<rsp>TRAN(OLCTB148) MBR(SYS3 ) CC( 0) LCLS( 1) LQ( 0) LSTT(CONV) </rsp>
</cmdrspdata>
</imsout>
```

Explanation: A QUERY TRAN command can be issued to obtain information about transactions on one or more IMSs in the IMSplex. This QUERY TRAN command is issued in an IMSplex with one active IMS SYS3 that is not shared queues enabled. The command returns all transactions that match the name OLCFT117 and wild card names OLCTMSA\* and OLCTB14\*. The output returned is based on the SHOW keyword options. The IMS SYS3 returns the local queue count, local class, and local status for each transaction found that match the NAME parameters. Because the IMS is not shared queues enabled, no global queue count response line is returned.

**Example 2 for QUERY TRAN Command**

TSO SPOC input:

```
QRY TRAN NAME(PART*) SHOW(QCNT,STATUS,CLASS,PSB)
```

TSO SPOC output:

Trancode	MbrName	CC	PSBname	QCnt	LC1s	LQCnt	Lc1Stat
PART	IMS3	0		1			
PART	IMS2	0	DFSSAM02		4	0	
PART	IMS3	0	DFSSAM02		4	0	
PART	SYS3	0	DFSSAM02		4	0	
PARTROOT	IMS3	0		0			
PARTROOT	IMS2	0	PARTAPP		1	0	
PARTROOT	IMS3	0	TPARTAPP		1	0	
PARTROOT	SYS3	0	TPARTAPP		1	0	

OM API input:

CMD ( QRY TRAN NAME(PART\*) SHOW(QCNT,STATUS,CLASS,PSB) )

OM API output:

```

<imsout>
<ctl>
<omname>OM10M </omname>
<omvsn>1.1.0</omvsn>
<xmlvsn>1 </xmlvsn>
<statime>2002.174 23:20:59.381371</statime>
<stotime>2002.174 23:20:59.532136</stotime>
<staseq>B7D2E76D3DE7BD2C</staseq>
<stoseq>B7D2E76D62B68A49</stoseq>
<rqsttkn1>USRT005 10162059</rqsttkn1>
<rc>00000000</rc>
<rsn>00000000</rsn>
</ctl>
<cmd>
<master>IMS3 </master>
<userid>USRT005 </userid>
<verb>QRY </verb>
<kwd>TRAN </kwd>
<input>QRY TRAN NAME(PART*) SHOW(QCNT,STATUS,CLASS,PSB) </input>
</cmd>
<cmdrsphdr>
<hdr s1bl="TRAN" l1bl="Trancode" scope="LCL" sort="a" key="1" scroll="no" len="8"
dtype="CHAR" align="left" />
<hdr s1bl="MBR" l1bl="MbrName" scope="LCL" sort="a" key="4" scroll="no" len="8"
dtype="CHAR" align="left" />
<hdr s1bl="CC" l1bl="CC" scope="LCL" sort="n" key="0" scroll="yes" len="4"
dtype="INT" align="right" />
<hdr s1bl="PSB" l1bl="PSBname" scope="LCL" sort="n" key="0" scroll="yes" len="8"
dtype="CHAR" align="left" />
<hdr s1bl="Q" l1bl="QCnt" scope="GBL" sort="d" key="2" scroll="yes" len="8"
dtype="INT" align="right" />
<hdr s1bl="LCLS" l1bl="LC1s" scope="LCL" sort="n" key="0" scroll="yes" len="3"
dtype="INT" align="right" />
<hdr s1bl="LQ" l1bl="LQCnt" scope="LCL" sort="d" key="3" scroll="yes" len="8"
dtype="INT" align="right" />
<hdr s1bl="LSTT" l1bl="Lc1Stat" scope="LCL" sort="n" key="0" scroll="yes" len="*"
dtype="CHAR" align="left" />
</cmdrsphdr>
<cmdrspdata>
<rsp>TRAN(PARTROOT) MBR(IMS3 ) CC( 0) Q( 0) </rsp>
<rsp>TRAN(PARTROOT) MBR(IMS3 ) CC( 0) PSB(TPARTAPP) LCLS( 1) LQ( 0) </rsp>
<rsp>TRAN(PART ) MBR(IMS3 ) CC( 0) Q( 1) </rsp>
<rsp>TRAN(PART ) MBR(IMS3 ) CC( 0) PSB(DFSSAM02) LCLS( 4) LQ( 0) </rsp>
<rsp>TRAN(PARTROOT) MBR(SYS3 ) CC( 0) PSB(TPARTAPP) LCLS( 1) LQ( 0) </rsp>
<rsp>TRAN(PART ) MBR(SYS3 ) CC( 0) PSB(DFSSAM02) LCLS( 4) LQ( 0) </rsp>
<rsp>TRAN(PARTROOT) MBR(IMS2 ) CC( 0) PSB(PARTAPP ) LCLS( 1) LQ( 0) </rsp>
<rsp>TRAN(PART ) MBR(IMS2 ) CC( 0) PSB(DFSSAM02) LCLS( 4) LQ( 0) </rsp>
</cmdrspdata>
</imsout>

```

Explanation: The QUERY TRAN command returns information on the transactions that match the name parameter. This command is issued in an IMSplex that has 3 IMSs - IMS2, IMS3 and SYS3. The resource manager (RM) is using a resource structure and all IMSs are shared queues enabled. The command returns the transactions that match the wildcard name PART\*. The output is based on the SHOW options specified. Each IMS processes the command while local information is requested with the SHOW keyword. Each IMS returns its local information for the PSB name, Class, local queue count, and local status associated with the transactions it found that matched the NAME PART\*. The master IMS, IMS3, returned the global queue count information from shared queues for all transactions that match the NAME parameter PART\*.

**Example 3 for QUERY TRAN Command**

TSO SPOC input:

QRY TRAN QCNT(GT,0) SHOW(AFFIN)

TSO SPOC output:

Trancode	MbrName	CC	QCnt	Affinity
PART	IMS3	0	2	
SMQ6	IMS3	0	1	SYS3

OM API input:

CMD ( QRY TRAN QCNT(GT,0) SHOW(AFFIN))

OM API output:

```
<imsout>
<ctl>
<omname>OM10M </omname>
<omvsn>1.1.0</omvsn>
<xmlvsn>1 </xmlvsn>
<statime>2002.174 23:39:11.140576</statime>
<stotime>2002.174 23:39:11.191856</stotime>
<staseq>B7D2EB7E6CAE0127</staseq>
<stoseq>B7D2EB7E79330E8D</stoseq>
<rqsttkn1>USRT005 10163911</rqsttkn1>
<rc>0200000C</rc>
<rsn>00003000</rsn>
</ctl>
<cmderr>
<mbr name="SYS3 ">
<typ>IMS </typ>
<styp>DBDC </styp>
<rc>00000004</rc>
<rsn>00001000</rsn>
</mbr>
<mbr name="IMS2 ">
<typ>IMS </typ>
<styp>DCCTL </styp>
<rc>00000004</rc>
<rsn>00001000</rsn>
</mbr>
</cmderr>
<cmd>
<master>IMS3 </master>
<userid>USRT005 </userid>
<verb>QRY </verb>
<kwd>TRAN </kwd>
<input>QRY TRAN QCNT(GT,0) SHOW(AFFIN) </input>
</cmd>
<cmdrsphdr>
<hdr s1b1="TRAN" l1b1="Trancode" scope="LCL" sort="a" key="1" scroll="no" len="8"
dtype=" CHAR" align="left" />
```

```

<hdr s1bl="MBR" 11bl="MbrName" scope="LCL" sort="a" key="4" scroll="no" len="8"
dtype="CHAR" align="left" />
<hdr s1bl="CC" 11bl="CC" scope="LCL" sort="n" key="0" scroll="yes" len="4"
dtype="INT" align="right" />
<hdr s1bl="Q" 11bl="QCnt" scope="GBL" sort="d" key="2" scroll="yes" len="8"
dtype="INT" align="right" />
<hdr s1bl="AFIN" 11bl="Affinity" scope="GBL" sort="n" key="0" scroll="yes" len="7"
dtype="CHAR" align="left" />
</cmdrsphdr>
<cmdrspdata>
<rsp>TRAN(PART ) MBR(IMS3 ) CC( 0) Q( 2) AFIN( ) </rsp>
<rsp>TRAN(SMQ6 ) MBR(IMS3 ) CC( 0) Q( 1) AFIN(SYS3 ) </rsp>
</cmdrspdata>
</imsout>

```

Explanation: The QUERY TRAN QCNT(GT,0) command returns all transactions that have a queue count greater than 0. This command is issued in an IMSplex with 3 IMSs - IMS2, IMS3 and SYS3. RM is using the resource structure and all IMSs are shared queues enabled. In a shared queues environment, the QUERY TRAN QCNT(GT,0) command is only processed by the master IMS because it can obtain the global queue counts. All transactions that have a queue count greater than 0 are returned by the master IMS which is IMS3. When SHOW(AFFIN) is specified, any affinity of the messages to an IMS is returned. In this example, transactions SMQ6 has a message queued that can be processed only on the IMS SYS3.

#### Example 4 for QUERY TRAN Command

TSO SPOC input:

```
QRY TRAN NAME(FPTR*) STATUS(FPE,RESP)
```

TSO SPOC output:

Trancode	MbrName	CC	LclStat
FPTRN01	IMS3	0	RESP
FPTRN01	SYS3	0	RESP
FPTRN02	IMS3	0	FPE,RESP
FPTRN02	SYS3	0	FPE,RESP
FPTRN03	IMS3	0	FPE,RESP
FPTRN03	SYS3	0	FPE,RESP
FPTRN04	IMS3	0	FPE,RESP
FPTRN04	SYS3	0	FPE,RESP
FPTRN05	IMS3	0	FPE,RESP
FPTRN05	SYS3	0	FPE,RESP
FPTRN06	IMS3	0	FPE,RESP
FPTRN06	SYS3	0	FPE,RESP

OM API input:

```
CMD ( QRY TRAN NAME(FPTR*) STATUS(FPE,RESP) )
```

OM API output:

```

<imsout>
<ctl>
<omname>OM10M </omname>
<omvsn>1.1.0</omvsn>
<xmlvsn>1 </xmlvsn>
<statime>2002.174 23:47:42.864254</statime>
<stotime>2002.174 23:47:42.865685</stotime>
<staseq>B7D2ED667137E629</staseq>
<stoseq>B7D2ED6671915729</stoseq>
<rqsttkn1>USRT005 10164742</rqsttkn1>
<rc>0200000C</rc>
<rsn>00003000</rsn>
</ctl>
<cmderr>

```

```

<mbr name="IMS2  ">
<typ>IMS  </typ>
<styp>DCCTL  </styp>
<rc>00000008</rc>
<rsn>0000200C</rsn>
</mbr>
</cmderr>
<cmd>
<master>IMS3  </master>
<userid>USRT005  </userid>
<verb>QRY  </verb>
<kwd>TRAN  </kwd>
<input>QRY TRAN NAME(FPTR*) STATUS(FPE,RESP)  </input>
</cmd>
<cmdrsphdr>
<hdr s1bl="TRAN" 11bl="Trancode" scope="LCL" sort="a" key="1" scroll="no" len="8"
dtype="CHAR" align="left" />
<hdr s1bl="MBR" 11bl="MbrName" scope="LCL" sort="a" key="4" scroll="no" len="8"
dtype="CHAR" align="left" />
<hdr s1bl="CC" 11bl="CC" scope="LCL" sort="n" key="0" scroll="yes" len="4"
dtype="INT" align="right" />
<hdr s1bl="LSTT" 11bl="Lc1Stat" scope="LCL" sort="n" key="0" scroll="yes" len="*"
dtype="CHAR" align="left" />
</cmdrsphdr>
<cmdrspdata>
<rsp>TRAN(FPTRN01 ) MBR(IMS3 ) CC( 0) LSTT(RESP) </rsp>
<rsp>TRAN(FPTRN03 ) MBR(IMS3 ) CC( 0) LSTT(FPE,RESP) </rsp>
<rsp>TRAN(FPTRN02 ) MBR(IMS3 ) CC( 0) LSTT(FPE,RESP) </rsp>
<rsp>TRAN(FPTRN06 ) MBR(IMS3 ) CC( 0) LSTT(FPE,RESP) </rsp>
<rsp>TRAN(FPTRN04 ) MBR(IMS3 ) CC( 0) LSTT(FPE,RESP) </rsp>
<rsp>TRAN(FPTRN05 ) MBR(IMS3 ) CC( 0) LSTT(FPE,RESP) </rsp>
<rsp>TRAN(FPTRN01 ) MBR(SYS3 ) CC( 0) LSTT(RESP) </rsp>
<rsp>TRAN(FPTRN03 ) MBR(SYS3 ) CC( 0) LSTT(FPE,RESP) </rsp>
<rsp>TRAN(FPTRN02 ) MBR(SYS3 ) CC( 0) LSTT(FPE,RESP) </rsp>
<rsp>TRAN(FPTRN06 ) MBR(SYS3 ) CC( 0) LSTT(FPE,RESP) </rsp>
<rsp>TRAN(FPTRN04 ) MBR(SYS3 ) CC( 0) LSTT(FPE,RESP) </rsp>
<rsp>TRAN(FPTRN05 ) MBR(SYS3 ) CC( 0) LSTT(FPE,RESP) </rsp>
</cmdrspdata>
</imsout>

```

Explanation: A QUERY TRAN NAME(FPTR\*)STATUS(FPE,RESP) is issued to obtain all transactions that match the wildcard name FPTR\* and also have one or more of the following status conditions:

- FPE - Fast Path enabled
- RESP - Response mode

This command is issued in an IMSplex with 3 IMSs - IMS2, IMS3 and SYS3. RM is using the resource structure and all IMSs are shared queues enabled. All IMSs process the command because the status is local. Each IMS returns the transactions that are defined locally that match the wildcard name FPTR\* and have the status of FP, RESP, or both. The status condition that resulted in the transaction name being returned is also returned even though SHOW(STATUS) is not specified.

**Example 5 for QUERY TRAN Command**

TSO SPOC input:

```
QRY TRAN CLASS(6)
```

TSO SPOC output:

Trancode	MbrName	CC	Lc1s
HPCSTCL6	IMS3	0	6
HPCSTCL6	SYS3	0	6
OLCTB241	IMS2	0	6
OLCTB241	IMS3	0	6

```

OLCTB241 SYS3      0    6
SKS6      IMS2      0    6
SKS6      IMS3      0    6
SKS6      SYS3      0    6

```

## OM API input:

```
CMD ( QRY TRAN CLASS(6) )
```

## OM API output:

```

<imsout>
<ctl>
<omname>OM10M </omname>
<omvsn>1.1.0</omvsn>
<xm1vsn>1 </xm1vsn>
<statime>2002.174 23:54:03.498534</statime>
<stotime>2002.174 23:54:03.500563</stotime>
<staseq>B7D2EED171826C43</staseq>
<stoseq>B7D2EED172013A43</stoseq>
<rqsttkn1>USRT005 10165403</rqsttkn1>
<rc>00000000</rc>
<rsn>00000000</rsn>
</ctl>
<cmd>
<master>IMS3 </master>
<userid>USRT005 </userid>
<verb>QRY </verb>
<kwd>TRAN </kwd>
<input>QRY TRAN CLASS(6) </input>
</cmd>
<cmdrsphdr>
<hdr s1bl="TRAN" l1bl="Trancode" scope="LCL" sort="a" key="1" scroll="no" len="8"
dtype="CHAR" align="left" />
<hdr s1bl="MBR" l1bl="MbrName" scope="LCL" sort="a" key="4" scroll="no" len="8"
dtype="CHAR" align="left" />
<hdr s1bl="CC" l1bl="CC" scope="LCL" sort="n" key="0" scroll="yes" len="4"
dtype="INT" align="right" />
<hdr s1bl="LCLS" l1bl="LC1s" scope="LCL" sort="n" key="0" scroll="yes" len="3"
dtype="INT" align="right" />
</cmdrsphdr>
<cmdrspdata>
<rsp>TRAN(SKS6 ) MBR(IMS3 ) CC( 0) LCLS( 6) </rsp>
<rsp>TRAN(HPCSTCL6) MBR(IMS3 ) CC( 0) LCLS( 6) </rsp>
<rsp>TRAN(OLCTB241) MBR(IMS3 ) CC( 0) LCLS( 6) </rsp>
<rsp>TRAN(SKS6 ) MBR(SYS3 ) CC( 0) LCLS( 6) </rsp>
<rsp>TRAN(HPCSTCL6) MBR(SYS3 ) CC( 0) LCLS( 6) </rsp>
<rsp>TRAN(OLCTB241) MBR(SYS3 ) CC( 0) LCLS( 6) </rsp>
<rsp>TRAN(SKS6 ) MBR(IMS2 ) CC( 0) LCLS( 6) </rsp>
<rsp>TRAN(OLCTB241) MBR(IMS2 ) CC( 0) LCLS( 6) </rsp>
</cmdrspdata>
</imsout>

```

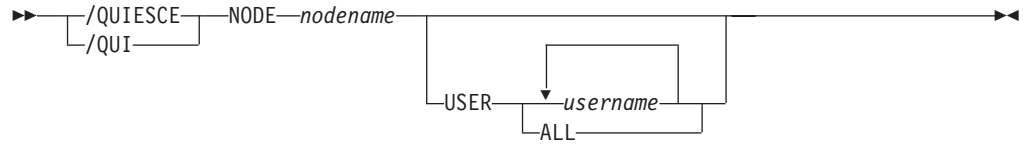
Explanation: A QUERY TRAN CLASS(6) is issued to obtain all transactions that have a local class value of 6. This command is issued in an IMSplex with 3 IMSs - IMS2, IMS3 and SYS3. RM is using the resource structure and all IMSs are shared queues enabled. All the IMSs that process the command as CLASS, are local. The NAME parameter is not specified so each IMS returns all the transactions defined locally with a class value 6. The class value that resulted in the transaction name being returned is also returned even though SHOW(CLASS) is not specified.





## Chapter 43. /QUIESCE

### Format



### Environments and Keywords

Table 129 lists the environments (DB/DC, DBCTL, and DCCTL) from which the command and keywords can be issued.

Table 129. Valid Environments for the /QUIESCE Command and Keywords

Command / Keywords	DB/DC	DBCTL	DCCTL
/QUIESCE	X		X
NODE	X		X
USER	X		X

### Usage

/QUIESCE initiates the shutdown and deallocates the user for the specified ISC node. The /QUIESCE NODE command is valid for ISC nodes only.

/QUIESCE resets preset mode, test mode, response mode, lock node, lock lterm, pstop lterm, and purge lterm because these statuses are not significant and are not kept after a logon or restart. /QUIESCE also takes other actions depending on the recovery settings for the node:

#### RCVYCONV=NO

/QUIESCE causes any IMS conversations (active and held) to be terminated. Any conversational message that is queued or being processed has its output response message delivered asynchronously.

#### RCVYFP=NO

/QUIESCE causes Fast Path status and messages to be discarded

If global resource information is not kept in Resource Manager, /QUIESCE deallocates the user and resets status locally. If global resource information is kept in Resource Manager, /QUIESCE deallocates the user and resets status globally. If the user has no significant status, /QUIESCE deletes the user in Resource Manager. If the node has no significant status, and there are no other half-sessions for the node, /QUIESCE deletes the node in Resource Manager.

If ROUTE is specified, it should be specified with ROUTE(\*). The command fails if not routed to the IMS where the node is active.

#### NODE

Specifies the VTAM node for the user to be shut down and deallocated.

**USER**

If the USER keyword is omitted, all half-sessions of an ISC node are affected.  
The half-sessions must be connected.

---

**Example for /QUIESCE Command**

Entry ET:

```
/QUIESCE NODE CAL USER LAX
```

Response ET:

```
/DFS058I QUIESCE COMMAND COMPLETED
```

Explanation: The half-session of node CAL using user LAX is shut down.

# Chapter 44. /RCLSDST

## Format



## Environments

Table 130 lists the environments (DB/DC, DBCTL, and DCCTL) from which the command can be issued.

Table 130. Valid Environments for the /RCLSDST Command

Command	DB/DC	DBCTL	DCCTL
/RCLSDST	X		X

## Usage

/RCLSDST causes IMS to disconnect the VTAM terminal from which the command is entered. If you are in an active conversational mode, /EXIT or /HOLD must be entered before /RCLSDST is executed. If this command is issued by a signed on user, the user is signed off.

This command does not reset preset mode.

/RCLSDST resets preset mode, response mode, test mode, lock node, lock lterm, pstop lterm, and purge lterm because these statuses are not significant and, therefore, are not kept after logons and restart. /RCLSDST also takes other actions depending on the recovery settings for the node:

### RCVYSTSN=NO

/RCLSDST acts like a /CHANGE NODE COLDSESS command for FINANCE and SLUP nodes by setting the session status to 'cold'. /RCLSDST acts like a /QUIESCE NODE command for ISC (LU6.1) nodes by initiating the shutdown and deallocating the user for the specified node. This action changes the session status to 'cold'. With these actions taken by the /RCLSDST command, the next session initiation request for this node is allowed to again attempt a session cold start. For ETO nodes, the control block structure could be deleted, if no significant status exists.

### RCVYCONV=NO

/RCLSDST causes any held IMS conversations to be terminated. Any conversational message that is queued or being processed has its output response message delivered asynchronously.

### RCVYFP=NO

/RCLSDST causes Fast Path status and messages to be discarded.

If global resource information is not kept in Resource Manager, /RCLSDST logs a node off and resets status locally. If global resource information is kept in Resource Manager, /RCLSDST logs a node off and resets status globally. If the node has no status, /RCLSDST deletes the node in Resource Manager.

## Example for /RCLSDST Command

Entry ET:

```
/RCLSDST
```

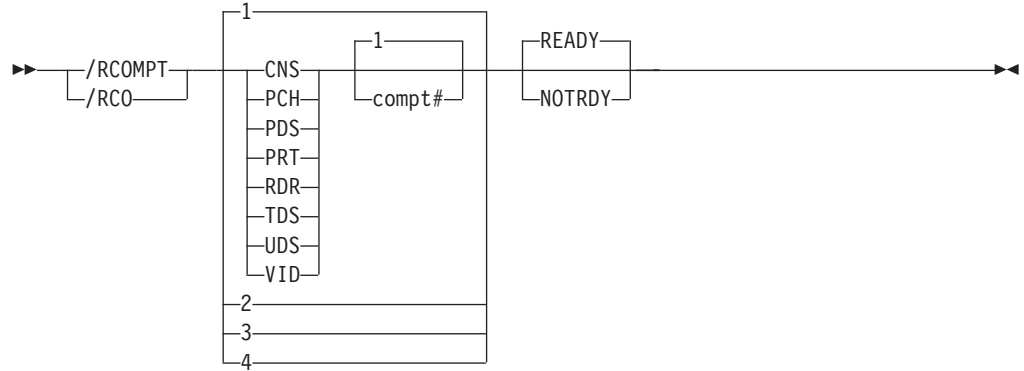
Response ET:

```
DFS058I RCLSDST COMMAND COMPLETED
```

Explanation: The entering terminal is logged off IMS.

## Chapter 45. /RCOMPT

### Format



### Environments and Keywords

Table 131 lists the environments (DB/DC, DBCTL, and DCCTL) from which the command and keywords can be issued.

Table 131. Valid Environments for the /RCOMPT Command and Keywords

Command / Keywords	DB/DC	DBCTL	DCCTL
/RCOMPT	X		X
CNS	X		X
NOTRDY	X		X
PCH	X		X
PDS	X		X
PRT	X		X
RDR	X		X
READY	X		X
TDS	X		X
UDS	X		X
VID	X		X

### Usage

/RCOMPT sets a particular VTAM terminal component to a ready/not ready state. Output messages queued for a particular component will not be sent unless the component is ready. Depending on terminal type, output operations for other components can continue.

**Note:** Defaults are READY and 1.

The ready/not ready state set by the /RCOMPT command can be altered by the following:

- Another /RCOMPT command

- A /COMPT, /START, or /RSTART command
- An I/O error on the terminal component

The command format takes one of the following forms:

- A keyword is used.

A search is made of the components (as defined in the TERMINAL macro during IMS system definition or logon descriptor) for the component defined that corresponds to the specified keyword. When a match is found, that component type is made ready or not ready as specified by the command.

- A keyword is used with a number other than 1 following the keyword.

The corresponding occurrence of that component type is made ready or not ready, as specified by the command.

- Number 1 through 4 is used instead of a keyword.

The component affected is the one defined in that position during system definition or logon descriptor independent of component type. For more information about component support see Chapter 5, "/ASSIGN," on page 99 For more information on the keywords, see "Keywords" on page 17.

When using ISC, only parameters 1, 2, 3, and 4 are valid.

---

## Example for /RCOMPT Command

Entry ET:

```
/RCOMPT VID 2 READY
```

Response ET:

```
DFS058I RCOMPT COMMAND COMPLETED
```

Explanation: The second display component is declared operable to IMS.

Entry ET:

```
/RCOMPT 4 READY
```

Response ET:

```
DFS058I RCOMPT COMMAND COMPLETED
```

Explanation: The fourth component defined is declared ready to IMS.

## Chapter 46. /RDISPLAY

### Format



### Environments

Table 132 lists the environments (DB/DC, DBCTL, and DCCTL) from which the command and keyword can be issued.

Table 132. Valid Environments for the /RDISPLAY Command and Keyword

Command/Keyword	DB/DC	DBCTL	DCCTL
/RDISPLAY	X		X
MASTER	X		X

### Usage

/RDISPLAY references the terminal assigned as the master terminal and displays either:

- The logical terminal name and the line and physical terminal numbers
- The logical terminal name and the VTAM NODE name

If the 3270 master terminal capability was generated during IMS system definition, the logical terminal name, line, and physical terminal number of the secondary master terminal are also displayed.

#### MASTER

Specifies the identity of the terminal designated as the master terminal.

### Examples

#### Example 1 for /RDISPLAY Command

Entry ET:

```
/RDISPLAY MASTER
```

Response ET:

```
LTERM CNTRL
PTERM 3-1
*91010/123704*
```

Explanation: CNTRL is the master terminal logical terminal and is assigned to LINE 3 PTERM 1.

#### Example 2 for /RDISPLAY Command

Entry ET:

```
/RDISPLAY MASTER
```

Response ET:

```
LTERM CTRL1  
PTERM 4-2  
LTERM CTRL2  
PTERM 4-4  
*91010/12370*
```

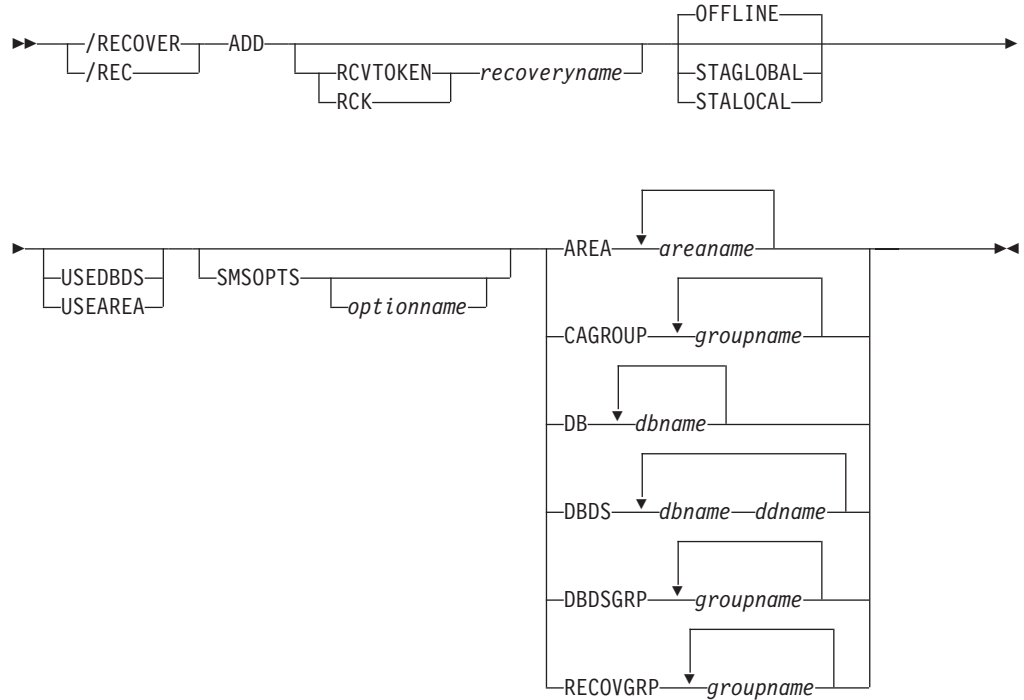
Explanation: CTRL1 is the primary master terminal logical terminal and is assigned to LINE 4 PTERM 2. CTRL2 is the secondary master terminal logical terminal and is assigned to LINE 4 PTERM 4.



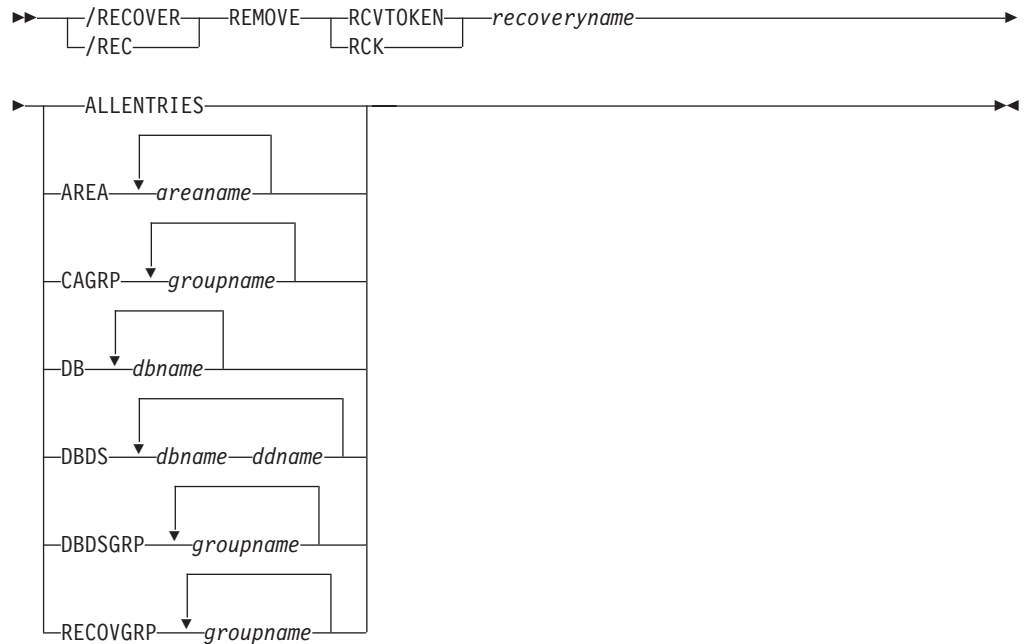
# Chapter 47. /RECOVER

## Format

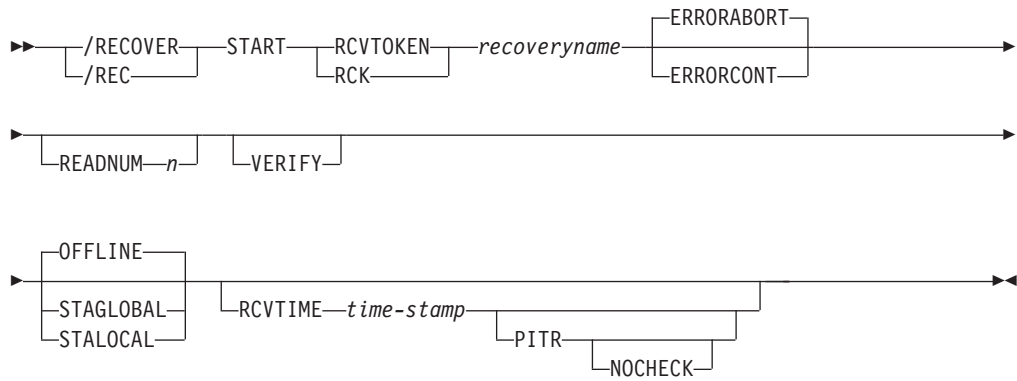
### /RECOVER Command: ADD



### /RECOVER Command: REMOVE



**/RECOVER Command: START**



**/RECOVER Command: STOP through TERMINATE**



**Environments and Keywords**

Table 133 lists the environments (DB/DC, DBCTL, and DCCTL) from which the command and keywords can be issued.

Table 133. Valid Environments for the /RECOVER Command and Keywords

Command / Keywords	DB/DC	DBCTL	DCCTL
/RECOVER	X	X	
ADD	X	X	
ALLENTRIES	X	X	
AREA	X	X	
CAGROUP	X	X	
DB	X	X	
DBDS	X	X	
DBDSGRP	X	X	
ERRORABORT	X	X	
ERRORCONT	X	X	
NOCHECK	X	X	
OFFLINE	X	X	
PITR	X	X	
RCVTIME	X	X	
RCVTOKEN	X	X	
READNUM	X	X	
RECOVGRP	X	X	
REMOVE	X	X	
SMSOPTS	X	X	

Table 133. Valid Environments for the /RECOVER Command and Keywords (continued)

Command / Keywords	DB/DC	DBCTL	DCCTL
STAGLOBAL	X	X	
STALOCAL	X	X	
START	X	X	
STOP	X	X	
USEAREA	X	X	
USEDDBDS	X	X	
VERIFY	X	X	

## Usage

/RECOVER commands are used with the recovery list of database data sets and areas.

In an IMSplex, the /RECOVER command initiates the operation of the Database Recovery facility. OM sends the /RECOVER command to one IMS.

## /RECOVER ADD

### Usage

The /RECOVER ADD command is used to add database data sets and areas to a list (recovery list) of database data sets and areas to be recovered using the Online Recovery Service. The database data sets and areas can be specified as database data sets, areas, databases, or groups.

Successful completion of a /RECOVER ADD command results in the specified database data sets and areas being added to a recovery list. Database data sets and areas can be added to a recovery list by specifying one or more database data sets, databases, change accumulation groups (CAGROUP), database data set groups (DBDSGRP), or recovery groups (RECOVGRP). If a database or group is specified, all database data sets and areas making up the database or group are added to a recovery list. If the a specified database is a master database for a partitioned HALDB, all database data sets from all partitions that make up the HALDB are added to a recovery list. All groups (including databases) are defined in DBRC.

Database data sets and areas must be registered with DBRC to be recovered with the IMS Recovery Services. If the database data set, area, or group name is not known to DBRC, it is not added to a recovery list and a message is issued.

If a database data set or area specified in a /RECOVER ADD command (individually or as part of a group) is already on a recovery list, processing for the duplicate is ignored and a message is issued. Other database data sets and areas that are not duplicates are processed normally.

This command can be issued in IMS DBCTL and IMS DB/DC environments.

Examples of using the /RECOVER ADD command are shown in:

- “Example 1 for /RECOVER ADD Command” on page 556
- “Example 2 for /RECOVER ADD Command” on page 556

- “Example 3 for /RECOVER ADD Command” on page 556
- “Example 4 for /RECOVER ADD Command” on page 556
- “Example 5 for /RECOVER ADD Command” on page 556
- “Example 6 for /RECOVER ADD Command” on page 557

### OFFLINE

With this option, the database remains offline from the IMS system at the completion of the recovery. This option is used to allow the database administrator to verify that the recovery has completed successfully and the databases are ready for use. This is the default if it is not specified on the /RECOVER START command.

The IMS system performing the recovery has EXCLUSIVE authorization of the database to perform the recovery. The OFFLINE option allows the IMS system to unauthorize the databases at the completion of the recovery without issuing a START command. This will leave the databases available for processing. If a PITR option has been used in a recovery, the database data set in the RECON is IMAGE COPY NEEDED.

### STAGLOBAL

This option is used when the full function database(s) and Fast Path areas are used in a SYSPLEX data sharing environment. A /START DB command with the GLOBAL option is issued on the IMS system which ran the recovery for all full function databases affected by recovery. A /START AREA command with the GLOBAL option is used on the IMS system which ran the recovery for all Fast Path areas recovered. This option makes the database(s) available to IMS transactions as soon as all the DBDSs in the recovery list have been recovered. Authorization to use the database is returned to IMS.

### STALOCAL

This option is used when the DRF is being executed in the operational IMS system where the database(s) is used. A /START DB command is issued on the IMS system which ran the recovery for all full function databases affected by recovery. A /START AREA is issued on the IMS system which ran the recovery for all Fast Path areas recovered. Fast Path databases' are not started with the /START DB command. Only one option needs to be specified and it applies to all DBDSs and areas added to the recovery list.

### USEDBDS or USEAREA

These options are for Fast Path areas, full function, and HALDB DBDS. When specified, DRF does not need to restore the image copy before applying log updates. You can use this option when you restore image copies prior to recovery.

**Note:** You must restore non-standard image copies prior to recovery.

This parameter determines whether or not DRF will restore the image copy for a DBDS before applying log updates.

### RCVTOKEN | RCK

Specifies the unique identifier associated with a recovery list that the /RECOVER ADD command operates against. RCVTOKEN is optional. If it is not specified, IMS generates a recovery name. However, if the command is intended to add entries to an existing recovery list, RCVTOKEN must be specified with the intended recovery list token *recoveryname*. When RCVTOKEN is specified in a command, it must come before any keywords that identify the names of database data sets, areas, or groups.

2                    *recoveryname*  
 2                    Specifies the unique recovery token associated with the recovery list that  
 2                    the /RECOVER ADD command operates against. This token can be up to eight  
 2                    characters in length.

### SMSOPTS

2                    Specifies that the DFSMSdss options are to be associated with the entries  
 2                    being added to the recovery list. The options are only used when restoring  
 2                    image copies created by the Image Copy 2 utility.

#### *optionname*

2                    Specifies a unique SMS option.

### DELCAT

2                    Specifies that the data set to be restored using the DFSMSdss  
 2                    optional keyword, DELETEDCATALOGENTRY.

2                    **Caution:** This option is to be used with extreme care. DELCAT is  
 2                    required if SMSOPTS is supplied. This option allows you to recover  
 2                    from a scenario where an entire volume or volumes are lost but the  
 2                    catalog entries remain. When this option is specified, SMS deletes  
 2                    the prior catalog entries for the database data sets and areas being  
 2                    restored as part of recovery. Refer to the *DFSMSdss Storage*  
 2                    *Administration Reference* manual before using this option. Read the  
 2                    caution under the DELETEDCATALOGENTRY option of the RESTORE  
 2                    command.

### AREA

2                    Specifies that one or more Fast Path areas are to be added to a recovery list.

#### *areaname*

2                    Specifies a unique Fast Path area.

### CAGROUP

2                    Specifies that one or more change accumulation groups as defined in the  
 2                    RECON data sets are to have their database data sets and areas added to a  
 2                    recovery list.

#### *groupname*

2                    Specifies that the database data sets and areas belonging to the named CA  
 2                    group are to be added to the recovery list.

### DB

2                    Specifies that all the areas or full function database data sets for one or more  
 2                    databases are to be added to a recovery list.

#### *dbname*

2                    Specifies the database and the associated database data sets or areas that  
 2                    are to be added to a recovery list.

### DBDS

2                    Specifies that one or more full function database data sets are to be added to a  
 2                    recovery list.

#### *dbname ddname*

2                    Specifies a full function database data set to be added to a recovery list.  
 2                    Full function database data sets are specified with the /RECOVER ADD DBDS  
 2                    command as an ordered pair. The first member of the pair is the database  
 2                    name. The second member is the DD name. If more than one full function  
 2                    database data set is specified, the complete ordered pair must be specified  
 2                    for each database data set. All parameters must be separated by at least  
 2                    one blank space.

2           **DBDSGRP**  
 2           Specifies that one or more DBDS groups as defined in the RECON data sets  
 2           will have their database data sets and areas added to a recovery list.

2           *groupname*  
 2           Specifies that the database data sets and areas belonging to the named  
 2           DBDS group are to be added to the recovery list.

2           **RECOVGRP**  
 2           Specifies that the listed groups are recovery groups. A recovery group is a  
 2           group of full-function databases, DEDB areas, or both that the user defines to  
 2           IMS as related. All DBDSs that make up the full-function databases and all the  
 2           DEDB areas making up the recover groups specified in the command are  
 2           added to a recovery list.

2           For additional information on recovery groups, see the *IMS Version 9: DBRC*  
 2           *Guide and Reference* and the *IMS Version 9: Administration Guide: Database*  
 2           *Manager*.

2           *groupname*  
 2           Specifies the unique name of the group whose database data sets and  
 2           areas are to be added to a recovery list.

**/RECOVER REMOVE**

2           **Usage**  
 2           A /RECOVER REMOVE command removes some or all database data sets and areas  
 2           from the recovery list. It can only be issued prior to issuing the /RECOVER START  
 2           command. Use the /RECOVER STOP command to remove entries after recovery has  
 2           started.

- If /RECOVER REMOVE is issued before the /RECOVER START command, database data sets and areas specified on the /RECOVER REMOVE command individually or as part of databases or groups are removed from the recovery list. A subsequent /RECOVER START command initiates recovery for the remaining members in the recovery list.
- If a /RECOVER REMOVE ALLENTRIES command is issued before the /RECOVER START command, all elements in the list are removed and the recovery list is eliminated.
- If the /RECOVER REMOVE command is issued after the /RECOVER START command, the /RECOVER REMOVE command is rejected.

If /RECOVER REMOVE is issued with one or more databases or groups, all database data sets and areas that are part of the database or group specified are removed from the recovery list. If a /RECOVER REMOVE command results in the removal of every data set or area entry from the recovery list, the recovery list is eliminated.

This command executes in IMS DBCTL and IMS DB/DC environments.

Examples of using the /RECOVER REMOVE command are shown in:

- “Example 1 for /RECOVER REMOVE Command” on page 557
- “Example 2 for /RECOVER REMOVE Command” on page 557
- “Example 3 for /RECOVER REMOVE Command” on page 557
- “Example 4 for /RECOVER REMOVE Command” on page 558

2           **RCVTOKEN | RCK**  
 2           Specifies the unique identifier associated with the recovery list that the /RECOVER

2 REMOVE command operates against. The RCVTOKEN keyword must come  
 2 before any keywords that identify the names of database data sets, areas, or  
 2 groups.

2 *recoveryname*

2 Specifies the unique recovery token associated with the recovery list that  
 2 the /RECOVER REMOVE command operates against. This token can be up to  
 2 eight characters in length.

### **ALLETRIES**

Specifies that the recovery list is to be eliminated.

### **AREA**

Specifies that one or more Fast Path areas are to be removed from the recovery list.

*areaname*

Specifies a unique Fast Path area.

### **CAGROUP**

Specifies that the database data sets and areas of one or more change accumulation groups as defined in the RECON data sets are to be removed from the recovery list.

*groupname*

Specifies that the database data sets and areas belonging to a specific CA group are to be removed from the recovery list.

### **DATAGROUP**

Specifies that the database data sets and areas of one or more database groups (as defined in the RECONS) are to be removed from the recovery list.

*groupname*

Specifies the database data sets and areas of the unique group name that are to be removed from the recovery list.

### **DB**

Specifies that the full function database data sets or Fast Path areas making up one or more databases are to be removed from the recovery list.

*dbname*

Specifies database data sets or areas of the database that are to be added to a recovery list.

### **DBDS**

Specifies that one or more full function database data sets are to be removed from the recovery list.

*dbname*

Specifies the database data sets or areas of the database that are to be removed from the recovery list.

*ddname*

Specifies the DD name of the database data set. If DBDS is specified on the /RECOVER REMOVE command, *dbname* and *ddname* must be specified together.

### **DBDSGRP**

Specifies that the database data sets and areas of one or more DBDS groups as defined in the RECON data sets are to be removed from the recovery list.

*groupname*

Specifies the database data sets and areas of the group that are to be removed from the recovery list.

**RECOVGRP**

Specifies that this group is a recovery group. All DBDSs that make up the full-function databases and all the DEDB areas are removed from the recovery list.

*groupname*

Specifies the database data sets and areas of the database that are to be removed from the recovery list.

**/RECOVER START****Usage**

2 Use the /RECOVER START command to start the recovery process for all the members  
2 of a recovery list, which includes performing the following tasks:

- 2 • Image copies are restored to the database data sets and areas in the recovery  
2 list.
- 2 • Change accumulation data is applied to the database data sets and areas in the  
2 recovery list.
- 2 • The database data sets and areas are brought up to date by applying data  
2 changes from log data sets (or up to the recovery time).
- 2 • Log data sets cached to a VTS are staged to DASD as a user option.

2 Only one /RECOVER START command is allowed to execute in one IMS at a time. If  
2 DRF is to run in conjunction with multiple IMSs simultaneously, ensure that log  
2 contention situations do not occur. To avoid log contention situations, ensure that  
2 recovery instances that would read the same log data sets do not execute  
2 simultaneously in multiple IMSs.

2 You can choose to automatically /START any or all members of the recovery list after  
2 successful completion of recovery, either on all IMS systems on which they are  
2 defined or just the one where the recovery is executed.

2 If ERRORABORT is in effect, the recovery list will not start until all the DBDSs in  
2 the list can be authorized for recovery. This is not true if the ERRORCONT  
2 parameter is specified on the /RECOVER START command. Instead, the recovery will  
2 continue.

2 If coordinated online change removes from the system any database data set or  
2 area that has been previously added to a recovery list, message DFS4266I with  
2 reason code NOT FOUND will be issued after the /RECOVER START command for  
2 that recovery list is entered.

Examples of using the /RECOVER START command are shown in:

- "Example 1 for /RECOVER START Command" on page 558
- "Example 2 for /RECOVER START Command" on page 558
- "Example 3 for /RECOVER START Command" on page 559
- "Example 4 for /RECOVER START Command" on page 559
- "Example 5 for /RECOVER START Command" on page 559

**RCVTOKEN | RCK**

Specifies the token of the recovery list that will be processed. When



RCVTOKEN is specified in a command, it must come before any keywords that identify the names of database data sets, areas, or groups.

*recoveryname*

2 Specifies the unique recovery token associated with the recovery list to be  
2 processed. This token can be up to eight characters in length.

**ERRORABORT**

Specifies that recovery stops for all entries in the recovery list if recovery of any database data set can not be completed. ERRORABORT is the default.

**ERRORCONT**

Specifies that recovery is to continue if recovery is able to complete processing for any database data set.

**READNUM *n***

Specifies the number of input devices used in parallel during recovery. Image copies are restored using the number of input devices specified by *n*. When image copies are restored, log data sets are read using the number of input devices specified by *n*.

**VERIFY**

1 Specifies the report only execution and obtains a list of the log, change  
1 accumulation, and image copy data sets required to process recovery for the  
1 associated recovery list. This option allows users to perform set up procedures  
1 before invoking the recovery process.

**OFFLINE**

2 This option leaves all the databases offline after the recovery is complete.  
2 When the recovery is complete, DRF will unauthorize the databases. This  
2 leaves the databases in a state which allows normal DBRC processing.

**STAGLOBAL**

2 This option is used in a sysplex data sharing environment or with two IMSs  
2 sharing data on the same central processing complex (CPC). A /START DB  
2 command with the GLOBAL option is issued internally for DL/I databases and a  
2 /START AREA command with the GLOBAL option is issued for the Fast Path  
2 areas. OFFLINE, STALOCAL, or STAGLOBAL options specified on the  
2 /RECOVER START command are used only for database data sets and areas that  
2 were added without any of these options specified.

**STALOCAL**

2 This option is used to start the databases on the IMS system that ran the DRF  
2 recovery. A /START DB command with the LOCAL option is issued internally.

**RCVTIME**

Specifies the time stamp to which a point in time or time stamp recovery is to be performed.

For information about time stamp recovery characteristics, see *IMS Version 9: Utilities Reference: Database and Transaction Manager*.

*time-stamp*

2 The time-stamp must have a format that is recognizable to IMS. For  
2 additional information on acceptable time stamp formats, see the *IMS*  
2 *Version 9: DBRC Guide and Reference*. Note the UTC offset portion of a  
2 time stamp cannot be specified using a symbolic value in this command.

2 Additionally, the timestamp must be surrounded by single quotation marks  
2 ('). For example:

2 /RECOVER START RCVTOKEN R1 RCVTIME '022671213156'

**PITR**

Specifies that a timestamp recovery (TSR) will be performed to the time specified with the RCVTIME parameter regardless if there are any active database allocations for the specified database data sets.

**NOCHECK**

If a portion of the database data sets making up a database are in the recovery list being started, NOCHECK specifies that the Online Recovery Service will not stop a timestamp recovery or a timestamp recovery to any prior point in time (PITR) if one of the following situations occurs:

- All members of the recovery group are not in the same recovery list.
- All members of the recovery group are not being recovered to an equivalent point in time. For more information, see the *IMS Version 9: DBRC Guide and Reference*, *IMS Version 9: Operations Guide*, and *IMS Version 9: Administration Guide: Database Manager*.

**/RECOVER STOP****Usage**

2 A /RECOVER STOP command stops recovery for all database data sets and areas on  
 2 the recovery list. The command can only be issued for a recovery list that has had  
 2 /RECOVER START issued against it. If the /RECOVER STOP is issued before the  
 2 /RECOVER START command, it is rejected. If it is issued after the /RECOVER START  
 2 command, recovery is stopped for all database data sets in the recovery list. After a  
 2 /RECOVER STOP command successfully processes, subsequent /RECOVER STOP  
 2 commands are rejected.

If /RECOVER STOP ALLENT is issued, all recovery processing for the affected recovery list halts, and the existing recovery list is deleted.

Examples of using the /RECOVER STOP command are shown in:

- “Example 1 for /RECOVER STOP” on page 560
- “Example 2 for /RECOVER STOP” on page 560
- “Example 3 for /RECOVER STOP” on page 560

**ALLENTRIES**

Specifies that recovery is to be aborted for all database data sets and areas (all entries) in the recovery list.

**SAVE**

Specifies that the recovery list is not to be deleted when recovery is stopped. This parameter is only allowed with the ALLENT parameter after recovery has been initiated with the /RECOVER START command.

**AREA**

Specifies that recovery processing is to be stopped for the specified Fast Path areas.

*areaname*

Specifies a unique Fast Path area.

**CAGROUP**

Specifies that recovery processing is to be stopped for the database data sets and areas making up the specified change accumulation groups as defined in the RECON data sets.

*groupname*

Specifies the unique name of the group whose database data sets and areas are to have recovery processing be stopped.

**DATAGROUP**

Specifies that recovery processing is to be stopped for database data sets and areas making up the specified database groups as defined in the RECON data sets.

*groupname*

Specifies the unique name of the group whose database data sets and areas are to have recovery processing be stopped.

**DB**

Specifies that recovery processing is to be stopped for the full function database data sets or Fast Path areas that make up the specified databases.

*dbname*

Specifies the database whose database data sets or areas are to be added to a recovery list.

**DBDS**

Specifies that recovery processing is to be stopped for the specified full function database data sets.

*dbname*

Specifies the database whose database data sets or areas are to be added to a recovery list.

*ddname*

The 8 character identifier associated with the data set name and data set characteristics. *dbname* and *ddname* must be specified together if DBDS is specified on the /RECOVER REMOVE command.

**DBDSGRP**

Specifies that recovery processing is to be stopped for the database data sets and areas making up the specified DBDS groups as defined in the RECON data sets.

*groupname*

Specifies the unique name of the group whose database data sets and areas are to have recovery processing be stopped.

**RECOVGRP**

Specifies that this group is a recovery group. A recovery group is a group of full-function databases or DEDB areas that are considered to be related. All DBDSs that make up the full-function databases and all the DEDB areas are removed from the recovery list.

*groupname*

Specifies the unique name of the group whose database data sets and areas are to have recovery processing be stopped.

**/RECOVER TERMINATE****Usage**

2 The TERMINATE option will delete all lists in BEING BUILT status and terminate  
2 the DRS address space.

2 If a recovery is in progress the recovery will ignore the /RECOVER TERMINATE  
2 command and continue to process. When it completes, another /RECOVER TERMINATE

2 command is required. It will not take effect automatically. If you would like to force  
 2 DRF down while a recovery is running, you must issue the /RECOVER STOP ALLENT  
 2 command first. This will stop the recovery and then you may enter the /RECOVER  
 2 TERMINATE command to terminate the DRF address space.

An example of using the /RECOVER TERMINATE command is shown in “Example for /RECOVER TERMINATE Command” on page 560

---

## Examples

### Examples for /RECOVER ADD Commands

The COMMAND IN PROGRESS message is issued for /RECOVER ADD commands but is not shown in the following examples.

#### Example 1 for /RECOVER ADD Command

2 In the following example, a /RECOVER ADD STALOCAL command is issued for full  
 2 function database data sets. Following a successful recovery of the database data  
 2 sets, the database is started on the IMS that runs the recovery.

```
2 /REC ADD STALOCAL DBDS DBNAME1 DDNAME1 DBNAME2 DDNAME2
2 DFS4299I FRD6011I THE FOLLOWING ENTRIES ARE ADDED TO THE RECOVERY LIST:
2 DFS4299I FRD6003I DBNAME1 DDNAME1
2 DFS4299I FRD6003I DBNAME2 DDNAME2
```

#### Example 2 for /RECOVER ADD Command

In the following example, a /RECOVER ADD command is issued for full function database data sets. One of the database data sets is not registered in RECON and is rejected.

```
3 /RECOVER ADD DBDS DBNAME1 DDNAME1 DBNAME1 DDNAME2
3 DFS4299I FRD6011I THE FOLLOWING ENTRIES ARE ADDED TO THE RECOVERY LIST:
3 DFS4299I FRD6003I DBNAME1 DDNAME1
3 DFS4299I FRD6010W UNABLE TO ADD TO RECOVERY LIST, NOT FOUND IN RECON, DBNAME2 DDNAME2
```

#### Example 3 for /RECOVER ADD Command

In the following example, a /RECOVER ADD command is issued for full function database data set. The database that database data set belongs to is still authorized to two IMSs.

```
/RECOVER ADD DBDS DBNAME1 DDNAME1
DFS4299I FRD6011I THE FOLLOWING ENTRIES ARE ADDED TO THE RECOVERY LIST:
DFS4299I FRD6003I DBNAME1 DDNAME1
DFS4299I FRD6003I DBNAME1 DDNAME1 AUTHORIZED BY IMS1
DFS4299I FRD6003I DBNAME1 DDNAME1 AUTHORIZED BY IMS2
```

#### Example 4 for /RECOVER ADD Command

Databases can be specified as a whole with the /RECOVER ADD DB command. In the example below, a full function database and a Fast Path database have all their database data sets and areas, respectively, added to the recovery list.

```
/REC ADD DB FFDB1 FPDB2
DFS4299I FRD6011I THE FOLLOWING ENTRIES ARE ADDED TO THE RECOVERY LIST:
DFS4299I FRD6003I FFDB1 DDNAME1
DFS4299I FRD6003I FFDB1 DDNAME2
DFS4299I FRD6003I DBAREA3 DDAREA3
DFS4299I FRD6003I DBAREA4 DDAREA4
```

#### Example 5 for /RECOVER ADD Command

If more than one DATAGROUP is specified, the group names must be separated by at least one blank space. In the following example, a /RECOVER ADD command is issued for two database groups.

```

/REC ADD DATAGROUP GRPNAME1 GRPNAME2
DFS4299I FRD6011I THE FOLLOWING ENTRIES ARE ADDED TO THE RECOVERY LIST:
DFS4299I FRD6003I DBNAME3 DDNAME3
DFS4299I FRD6003I DBNAME4 DDAREA4
DFS4299I FRD6003I DBNAME5 DDNAME5
DFS4299I FRD6003I DBNAME6 DDAREA6
DFS4299I FRD6003I DBNAME7 DDNAME7
DFS4299I FRD6003I DBNAME8 DDAREA8

```

### Example 6 for /RECOVER ADD Command

If one or more RECOVGRP is specified, the group names must be separated by at least one blank. In the following example, a /RECOVER ADD command is issued for two recovery groups.

```

/REC ADD RECOVGRP GRPNAME1 GRPNAME2
DFS4299I FRD6011I THE FOLLOWING ENTRIES ARE ADDED TO THE RECOVERY LIST:
DFS4299I FRD6003I DBNAMEA DDNAMEA
DFS4299I FRD6003I DBNAMEB DDAREAB
DFS4299I FRD6003I DBNAMEC DDNAMEC
DFS4299I FRD6003I DBNAMED DDAREAD
DFS4299I FRD6003I DBNAMEE DDNAMEE
DFS4299I FRD6003I DBNAMEF DDAREAF

```

## Examples for /RECOVER REMOVE Command

The command IN PROGRESS message is issued for /RECOVER commands but is not shown in the following examples.

### Example 1 for /RECOVER REMOVE Command

As with the /RECOVER ADD command, full function database data sets and Fast Path areas are specified with the /RECOVER REMOVE DBDS command. With the DBDS option, each full function database data set must be specified as an ordered pair. Each element must be separated by at least one blank space. The first element of the pair is the database name. The second element is the DDNAME. In the example below, a /RECOVER REMOVE command is issued for a single full function database data set.

```

/RECOVER REMOVE RCVTOKEN DFS00001 DBDS DBNAME1 DDNAME1

```

```

DFS4299I FRD6016I THE FOLLOWING ENTRIES WERE REMOVED FROM THE RECOVERY LIST:
DFS4299I FRD6003I DBNAME1 DDNAME1

```

If more than one full function database data set is specified in a /RECOVER REMOVE DBDS command, each dbname/ddname ordered pair must be separated by at least one blank space.

```

/RECOVER REMOVE RCVTOKEN DFS00001 DBDS DBNAME1 DDNAME1 DBNAME3 DDNAME3

```

```

DFS4299I FRD6016I THE FOLLOWING ENTRIES WERE REMOVED FROM THE RECOVERY LIST:
DFS4299I FRD6003I DBNAME1 DDNAME1
DFS4299I FRD6003I DBNAME3 DDNAME3

```

### Example 2 for /RECOVER REMOVE Command

In the following example, a /RECOVER REMOVE command is issued for a single Fast Path area that was not added to the recovery list.

```

/REC REMOVE RCVTOKEN DFS00001 AREA DDAREA1

```

```

DFS4299I FRD6018W UNABLE TO REMOVE AREA DDAREA1: NOT IN RECOVERY LIST

```

### Example 3 for /RECOVER REMOVE Command

In the following example, a /RECOVER REMOVE command is issued for a full function database and Fast Path database. All full function database data sets and Fast Path areas making up the two databases are removed from the recovery list.

```
/REC REMOVE RCVTOKEN DFS00001 DB FFDB1 FFDB2
```

```
DFS4299I FRD6016I THE FOLLOWING ENTRIES WERE REMOVED FROM THE RECOVERY LIST:
DFS4299I FRD6003I FFDB1 DDNAME1
DFS4299I FRD6003I FFDB1 DDNAME2
DFS4299I FRD6003I DBAREA3 DDAREA3
DFS4299I FRD6003I DBAREA4 DDAREA4
```

#### Example 4 for /RECOVER REMOVE Command

In the following example, a /RECOVER REMOVE command is issued to stop recovery for the entire recovery list.

```
/REC REMOVE RCVTOKEN DFS00001 ALLENT
```

```
DFS4299I FRD6016I THE FOLLOWING ENTRIES WERE REMOVED FROM THE RECOVERY LIST:
DFS4299I FRD6003I DBNAME1 DDNAME1
DFS4299I FRD6003I DBNAME2 DDNAME2
DFS4299I FRD6003I DBAREA1 DDAREA1
DFS4299I FRD6003I DBNAME3 DDNAME3
DFS4299I FRD6003I DBAREA4 DDAREA4
DFS4299I FRD6003I DBNAME5 DDNAME5
DFS4299I FRD6003I DBAREA6 DDAREA6
DFS4299I FRD6003I DBAREA7 DDAREA7
DFS4299I FRD6003I DBAREA8 DDAREA8
DFS4299I FRD6017I RECOVERY LIST IS NOW EMPTY
```

## Examples for /RECOVER START Command

The command IN PROGRESS message is issued for /RECOVER commands but is not shown in the following examples.

#### Example 1 for /RECOVER START Command

In the following example, /RECOVER START initiates recovery for the database data sets and areas from previous examples. Recovery continues until it completes or until one of the database data sets or areas is operable.

```
3 /REC START RCVTOKEN RCVTKN1 ERRORCONT
3 DFS4299I FRD6021I RECOVERY STARTED FOR:
3 DFS4299I FRD6003I DBNAME1 DDNAME1
3 DFS4299I FRD6003I DBNAME2 DDNAME2
3 DFS4299I FRD6003I DBAREA1 DDAREA1
3 DFS4299I FRD6003I DBNAME3 DDNAME3
3 DFS4299I FRD6003I DBAREA4 DDAREA4
3 DFS4299I FRD6003I DBAREA5 DDAREA5
3 DFS4299I FRD6003I DBAREA6 DDAREA6
3 DFS4299I FRD6003I DBNAME7 DDNAME7
3 DFS4299I FRD6003I DBAREA8 DDAREA8
```

#### Example 2 for /RECOVER START Command

In the following example, /RECOVER START RCVTOKEN initiates recovery for the database data sets and areas owned by the recovery token RCVTKN2.

```
/REC START RCVTOKEN RCVTKN2
DFS4299I FRD6021I RECOVERY STARTED FOR:
DFS4299I FRD6003I DBNAME1 DDNAME1
DFS4299I FRD6003I DBNAME2 DDNAME2
DFS4299I FRD6003I DBAREA1 DDAREA1
DFS4299I FRD6003I DBNAME3 DDNAME3
DFS4299I FRD6003I DBAREA4 DDAREA4
DFS4299I FRD6003I DBAREA5 DDAREA5
DFS4299I FRD6003I DBAREA6 DDAREA6
DFS4299I FRD6003I DBNAME7 DDNAME7
DFS4299I FRD6003I DBAREA8 DDAREA8
```



**Example 3 for /RECOVER START Command**

In the example below, /RECOVER START RCVTOKEN OFFLINE READNUM 6 initiates recovery for the database data sets and areas from previous examples. Recovery will not continue if any error is detected for any member of the recovery list. The database data sets and areas remain offline after recovery completes.

```
/RECOVER START RCVTOKEN RCVTKN2 OFFLINE READNUM 6
DFS4299I FRD6021I RECOVERY STARTED FOR:
DFS4299I FRD6003I DBNAME1 DDNAME1
DFS4299I FRD6003I DBNAME2 DDNAME2
DFS4299I FRD6003I DBAREA1 DDAREA1
DFS4299I FRD6003I DBNAME3 DDNAME3
DFS4299I FRD6003I DBAREA4 DDAREA4
DFS4299I FRD6003I DBAREA5 DDAREA5
DFS4299I FRD6003I DBAREA6 DDAREA6
DFS4299I FRD6003I DBNAME7 DDNAME7
DFS4299I FRD6003I DBAREA8 DDAREA8
```

**Example 4 for /RECOVER START Command**

In the following example, /RECOVER START RCVTOKEN ERRORCONT RCVTIME *time-stamp* is issued. TSR continues until it completes or until one of the database data sets or areas undergoing recovery encounters an error. After recovery completes, a message is issued listing each database data set and area successfully recovered.

```
3 /REC START RCVTOKEN RCVTKN2 ERRORABORT RCVTIME '020011015257' NOCHECK
3 DFS4299I FRD6021I RECOVERY STARTED FOR RCVTKN2, ERRORABORT, TSR
3 DFS4299I FRD6003I DBNAME1 DDNAME1
3 DFS4299I FRD6003I DBNAME2 DDNAME2
3 DFS4299I FRD6003I DBAREA1 DDAREA1
3 DFS4299I FRD6003I DBNAME3 DDNAME3
3 DFS4299I FRD6003I DBAREA4 DDAREA4
3 DFS4299I FRD6003I DBAREA5 DDAREA5
3 DFS4299I FRD6003I DBAREA6 DDAREA6
3 DFS4299I FRD6003I DBNAME7 DDNAME7
3 DFS4299I FRD6003I DBAREA8 DDAREA8
3
3 ...
3 DFS4299I FRD4031I DATASET RESTORE COMPLETE: DBNAME1 DDNAME1
3 DFS4299I FRD4031I DATASET RESTORE COMPLETE: DBNAME2 DDNAME2
3 DFS4299I FRD4031I DATASET RESTORE COMPLETE: DBAREA1 DDAREA1
3 DFS4299I FRD4031I DATASET RESTORE COMPLETE: DBNAME3 DDNAME3
3 DFS4299I FRD4031I DATASET RESTORE COMPLETE: DBAREA4 DDAREA4
3 DFS4299I FRD4031I DATASET RESTORE COMPLETE: DBAREA5 DDAREA5
3 DFS4299I FRD4031I DATASET RESTORE COMPLETE: DBAREA6 DDAREA6
3 DFS4299I FRD4031I DATASET RESTORE COMPLETE: DBNAME7 DDNAME7
3 DFS4299I FRD4031I DATASET RESTORE COMPLETE: DBAREA8 DDAREA8
3 DFS4277I RECOVERY COMPLETE FOR: RCVTKN2
```

**Example 5 for /RECOVER START Command**

In the following example, /RECOVER START RCVTOKEN RCVTIME *time-stamp* PITR is issued. Point-in-time recovery will continue until it completes or until one of the database data sets encounters an error. A message is issued listing the database data sets and areas that were not in the recovery list, but might need recovery using point-in-time recovery.

```
3 /REC START RCVTOKEN RCVTKN2 RCVTIME '020011015257' PITR
3 DFS4299I FRD6021I RECOVERY STARTED FOR RCVTKN2, ERRORCONT, PITR
3 DFS4299I FRD6003I DBNAME1 DDNAME1
3 DFS4299I FRD6003I DBNAME2 DDNAME2
3 DFS4299I FRD6003I DBAREA1 DDAREA1
3 DFS4299I FRD6003I DBNAME3 DDNAME3
3 DFS4299I FRD6003I DBAREA4 DDAREA4
3 DFS4299I FRD6003I DBAREA5 DDAREA5
3 DFS4299I FRD6003I DBAREA6 DDAREA6
3 DFS4299I FRD6003I DBNAME7 DDNAME7
3 DFS4299I FRD6003I DBAREA8 DDAREA8
3
3 ...
3 DFS4299I FRD6024A GROUP MEMBER DBNAME9 DDNAME9 NOT IN RECOVERY LIST: MEMBER OF A GROUP
```

```

3          DFS4299I FRD6024A GROUP MEMBER DBNAMEA DDNAMEA NOT IN RECOVERY LIST: MEMBER OF A GROUP
3          DFS4299I FRD6024A GROUP MEMBER DBAREAB DDAREAB NOT IN RECOVERY LIST: MEMBER OF A GROUP
3          DFS4299I FRD6024A GROUP MEMBER DBNAMEC DDNAMEC NOT IN RECOVERY LIST: MEMBER OF A GROUP
3          ...
3          DFS4299I FRD4031I DATASET RESTORE COMPLETE: DBNAME1 DDNAME1
3          DFS4299I FRD4031I DATASET RESTORE COMPLETE: DBNAME2 DDNAME2
3          DFS4299I FRD4031I DATASET RESTORE COMPLETE: DBAREA1 DDAREA1
3          DFS4299I FRD4031I DATASET RESTORE COMPLETE: DBNAME3 DDNAME3
3          DFS4299I FRD4031I DATASET RESTORE COMPLETE: DBAREA4 DDAREA4
3          DFS4299I FRD4031I DATASET RESTORE COMPLETE: DBAREA5 DDAREA5
3          DFS4299I FRD4031I DATASET RESTORE COMPLETE: DBAREA6 DDAREA6
3          DFS4299I FRD4031I DATASET RESTORE COMPLETE: DBNAME7 DDNAME7
3          DFS4299I FRD4031I DATASET RESTORE COMPLETE: DBAREA8 DDAREA8
3          DFS4277I RECOVERY COMPLETE FOR: RCVTKN2

```

## Examples for /RECOVER STOP Command

The COMMAND IN PROGRESS message is issued for /RECOVER commands but is not shown in the following examples.

### Example 1 for /RECOVER STOP

In the following example, a /RECOVER STOP command is issued to stop recovery for the entire recovery list.

```

3          /REC STOP ALLENT
3          DFS4299I FRD6032I THE FOLLOWING ENTRIES WILL HAVE RECOVERY STOPPED:
3          DFS4299I FRD6003I DBNAME1 DDNAME1
3          DFS4299I FRD6003I DBNAME2 DDNAME2
3          DFS4299I FRD6003I DBAREA1 DDAREA1
3          DFS4299I FRD6003I DBNAME3 DDNAME3
3          DFS4299I FRD6003I DBAREA4 DDAREA4
3          DFS4299I FRD6003I DBNAME5 DDNAME5
3          DFS4299I FRD6003I DBAREA6 DDAREA6
3          DFS4299I FRD6003I DBAREA7 DDAREA7
3          DFS4299I FRD6003I DBAREA8 DDAREA8
3          DFS4299I FRD6033I ALL ENTRIES IN RECOVERY LIST, ARE BEING STOPPED

```

### Example 2 for /RECOVER STOP

In this example, a /RECOVER STOP ALLENT SAVE is issued after a /RECOVER START command.

```

3          /REC STOP ALLENT SAVE
3          DFS4299I FRD6032I THE FOLLOWING ENTRIES WILL HAVE RECOVERY STOPPED:
3          DFS4299I FRD6003I DBNAME1 DDNAME1

```

### Example 3 for /RECOVER STOP

In this example, a /RECOVER STOP ALLENT command is issued with no recovery in progress.

```

3          /REC STOP ALLENT
3          DFS4299I FRD6031E UNABLE TO STOP ALLENT: RECOVERY NOT IN PROGRESS

```

## Example for /RECOVER TERMINATE Command

In this example, a /RECOVER TERMINATE command is issued with no recovery in progress.

```

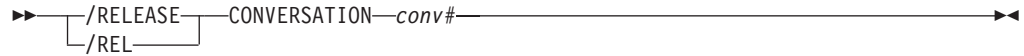
3          /RECOVER TERMINATE
3          DFS4299I FRD4202I DATABASE RECOVERY DATA MANAGER TERMINATION COMPLETE

```



## Chapter 48. /RELEASE

### Format



### Environments and Keywords

Table 134 lists the environments (DB/DC, DBCTL, and DCCTL) from which the command and keyword can be issued.

Table 134. Valid Environments for the /RELEASE Command and Keyword

Command / Keyword	DB/DC	DBCTL	DCCTL
/RELEASE	X		X
CONVERSATION	X		X

### Usage

/RELEASE resumes a conversation that was previously saved by means of the /HOLD command.

The last message sent to the terminal before /HOLD was entered is sent to the terminal again.

/RELEASE is not valid from an LU 6.2 device. LU 6.2 communications cannot release a conversation, whether started by itself or by another communications protocol.

If global resource information is kept in Resource Manager, /RELEASE updates the conversation globally in Resource Manager. If global resource information is not kept in Resource Manager, /RELEASE updates the conversation locally.

#### CONVERSATION

Specifies the 4-digit identification (including leading zeros) of the conversation to be resumed; CONVERSATION conv# is the 4-digit identification conv# that was provided when the conversation was previously held.

### Example for /RELEASE Command

Entry ET:

```
/RELEASE CONVERSATION 0001
```

Response ET:

IMS does not respond to this command except to resend the last message.

Explanation: Conversation 0001 has been released and can be resumed by the terminal operator.



## Chapter 49. /RESET

### Format



### Environments

Table 135 lists the environments (DB/DC, DBCTL, and DCCTL) from which the command can be issued.

*Table 135. Valid Environments for the /RESET Command*

Command	DB/DC	DBCTL	DCCTL
/RESET	X		X

### Usage

/RESET eliminates the preset mode established by the /SET command.

### Example for /RESET Command

Entry ET:

```
/RESET
```

Response ET:

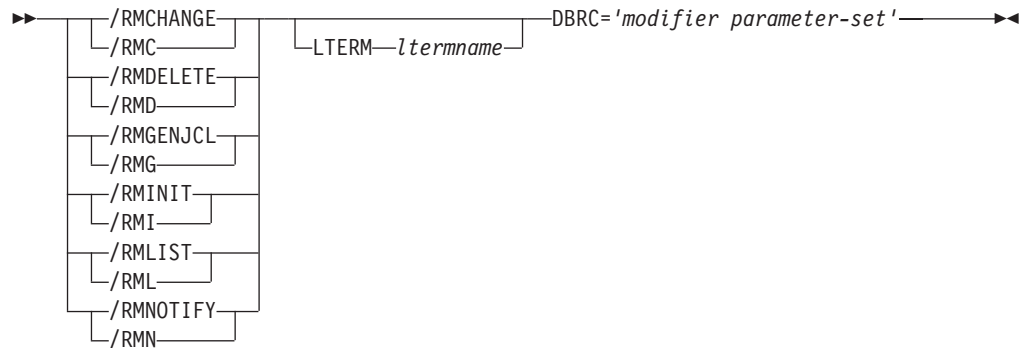
```
DFS058I  RESET COMMAND COMPLETED
```

Explanation: The preset mode is no longer in effect.



## Chapter 50. /RMxxxxxx

### Format



### Environments and Keywords

Table 136 lists the environments (DB/DC, DBCTL, and DCCTL) from which the command and keyword can be issued.

Table 136. Valid Environments for the /RMxxxxxx Command and Keyword

Command / Keyword	DB/DC	DBCTL	DCCTL
/RMxxxxxx	X	X	X
LTERM	X		X

### Usage

The /RMxxxxxx commands are multisegment commands that call functions of IMS Database Recovery Control (DBRC). These commands allow the IMS master terminal operator or an authorized terminal operator to run certain DBRC utility functions online. Output is limited to what can be put in a 4 KB buffer (8 KB for /RMLIST).

All /RMxxxxxx formats require an EOM indication to denote end-of-message. An EOS indication must be included for all segments, if any, that precede the last segment. See "Multisegment Command Input" on page 8 for more detail on using EOS and EOM. If comments are included with the /RMxxxxxx commands, they must be enclosed in asterisks.

If a failure other than the loss of both RECON data sets occurs while DBRC is processing an online command, DBRC makes the command unavailable for the remaining time the IMS online region is running. (After determining and correcting the cause of the original failure, the command can be made available again by resubmitting the online command with the RESET parameter specified in the parameter set.) It is the **verb**, rather than the modifier, level of the command that DBRC makes unavailable. That is, if a DBRC INIT.DB command fails, DBRC makes *all* INIT commands unavailable. DBRC sends an error message to the originating terminal when the command fails. You can still issue the failing command from other IMS online regions.

**Exception:** DBRC does not make GENJCL commands unavailable because the GENJCL.ARCHIVE command is needed for automatic archiving.

DBRC does not remember command failures across IMS restarts because it assumes that you will correct the error before restarting IMS.

Table 137 lists the DBRC commands that are supported online and describes the utility function of each command.

Table 137. Functions of the DBRC Commands Supported Online

Command	Utility Function
/RMCHANGE	Changes or modifies information in the RECON data set
/RMDELETE	Deletes information in the RECON data set
/RMGENJCL	Generates JCL for: <ul style="list-style-type: none"> <li>• IMS Change Accumulation utility</li> <li>• IMS Log Archive utility</li> <li>• IMS Log Recovery utility</li> <li>• IMS Database Image Copy utility</li> <li>• Database Image Copy 2</li> <li>• IMS Online Database Image Copy utility</li> <li>• Database Recovery utility</li> <li>• User-defined output</li> </ul>
/RMINIT	Creates records in the DBRC RECON data set
/RMLIST	Lists information contained in the RECON data set
/RMNOTIFY	Adds information to the RECON data set

### LTERM

Specifies the logical terminal designated for output. If you omit the LTERM keyword, the output destination is the input terminal.

**Recommendation:** Because some of the DBRC commands generate a large amount of output, especially the /RMGENJCL and /RMLIST commands, direct the output to a printer.

#### modifier

The DBRC modifier for the function specified.

Table 138 lists the DBRC modifiers and the /RMxxxxxx commands with which the modifiers can be issued.

Table 138. DBRC Modifiers for the /RMxxxxxx Commands

Modifier	CHANGE	DELETE	GENJCL	INIT	LIST	NOTIFY
ADS	X	X		X		
ALLOC		X				X
ARCHIVE			X			
BKOUT	X	X			X	X
CA	X	X	X	X		X
CAGRP	X	X		X	X	
CLOSE			X			
DB	X	X		X	X	
DBDS	X	X		X	X	

Table 138. DBRC Modifiers for the /RMxxxxxx Commands (continued)

Modifier	CHANGE	DELETE	GENJCL	INIT	LIST	NOTIFY
DBDSGRP	X	X		X	X	
GSG		X		X	X	
HISTORY					X	
IC	X	X	X	X		X
LOG		X			X	
OIC			X			
PART				X		
PRILOG	X					X
RECON	X			X	X	
RECOV		X	X			X
REORG		X				X
SECLOG	X					X
SG	X	X		X		
SUBSYS	X	X			X	X
UIC	X	X				X
USER			X			

*parameter-set*

Represents the required and optional parameters that will be passed to DBRC. For a full description of the DBRC commands, modifiers, and parameters, see *IMS Version 9: DBRC Guide and Reference*.

## Examples

### Example for /RMCHANGE Command

Entry ET (with comments):

```
/RMCHANGE DBRC='DB DBD(DIVNTZ04) SHARELVL(3)'. *COMMENT*.
```

Response ET:

```
CHANGE.DB DBD(DIVNTZ04) SHARELVL(3)
DSP0203I  COMMAND COMPLETED WITH CONDITION CODE 00
DSP0220I  COMMAND COMPLETION TIME
DSP0211I  COMMAND PROCESSING COMPLETE
DSP0211I  HIGHEST CONDITION CODE = 00
DSP0058I  RMC COMMAND COMPLETED
```

Entry ET:

```
/RMCHANGE DBRC='DBDS DBD(DIVNTZ04) DDN(DBHVSAM1) ICON'.
```

Response ET:

```
CHANGE.DBDS DBD(DIVNTZ04) DDN(DIVNTZ04) ICON
DSP0203I  COMMAND COMPLETED WITH CONDITION CODE 00
DSP0220I  COMMAND COMPLETION TIME
DSP0211I  COMMAND PROCESSING COMPLETE
DSP0211I  HIGHEST CONDITION CODE = 00
DSP0058I  RMC COMMAND COMPLETED
```

Entry ET:

```
/RMC DBRC='DBDS DBD(DEDBJN21) AREA(DB21AR7) VSO PREOPEN'.
```

Response ET:

```
DFS000I CHANGE.DBDS DBD(DEDBJN21) AREA(DB21AR7) VSO PREOPEN
DFS000I DSP0203I  COMMAND COMPLETED WITH CONDITION CODE 00
```

## Example for /RMDELETE Command

Entry ET (with comments):

```
/RMDELETE DBRC='DB DBD(DIVNTZ04)'. *COMMENT*.
```

Response ET:

```
DELETE.DB DBD(DIVNTZ04)
DSP0203I  COMMAND COMPLETED WITH CONDITION CODE 00
DSP0220I  COMMAND COMPLETION TIME
DSP0211I  COMMAND PROCESSING COMPLETE
DSP0211I  HIGHEST CONDITION CODE = 00
DSP0058I  RMD COMMAND COMPLETED
```

## Example for /RMGENJCL Command

Entry ET (with comments):

```
/RMGENJCL LTERM SMITH DBRC='IC DBD(HDAMVSAM) DDN(DD1) LIST'. *END OF DAY MESSAGE*.
```

Response ET:

```
DSP058I  RMG COMMAND COMPLETED
```

Response LTERM SMITH:

```
GENJCL.IC DBD(HDAMVSAM) DDN(DD1)
//IC135607  JOB
//IC      EXEC PGM=DFSRR00,PARM='ULU,DFSUDMPO',REGION=800K
//*
//*      THIS JCL ORIGINATES FROM THE USER'S 'JCLPDS' LIBRARY.
//*      %KEYWORDS ARE REPLACED BY THE GENJCL FUNCTION OF
//*      THE IMS DATABASE RECOVERY CONTROL FEATURE.
//*
//*      JCL FOR IMAGE COPY.
//*
//SYSPRINT DD SYSOUT=A
//RECON1  DD DSN=POCON01,DISP=SHR
//RECON2  DD DSN=POCON02,DISP=SHR
//IMS     DD DSN=IMS.DBDLIB,DISP=SHR
//DD1     DD DSN=HDAMVASM,DCB=BUFNO=10,DISP=OLD
//DATAOUT1 DD DSN=IMS.HDAMVSAM.DD1.IC.ICDD1,UNIT=3400,
//          VOL=(PRIVATE,,,1,SER=(*****)),
//          LABEL=(1,SL),
//          DISP=(NEW,KEEP),DCB=BUFNO=10
//DFSVSAMP DD *
1024,2
4096,4
//SYSIN   DD *
D1 HDAMVSAM DD1      DATAOUT1
DSP0203I  COMMAND COMPLETED WITH CONDITION CODE 00
DSP0220I  COMMAND COMPLETION TIME
DSP0211I  COMMAND PROCESSING COMPLETE
DSP0211I  HIGHEST CONDITION CODE = 00
DSP0058I  RMG COMMAND COMPLETED
```

## Example for /RMINIT Command

Entry ET (with comments):

```
/RMINIT DBRC='DB DBD(DIVNTZ04) SHARELVL(3)'. *COMMENT*.
```



Response ET:

```
INIT.DB DBD(DIVNTZ04) SHARELVL(3)
DSP0203I  COMMAND COMPLETED WITH CONDITION CODE 00
DSP0220I  COMMAND COMPLETION TIME
DSP0211I  COMMAND PROCESSING COMPLETE
DSP0211I  HIGHEST CONDITION CODE = 00
DSP0058I  RMI COMMAND COMPLETED
```

**Example for /RMLIST Command**

Entry ET (with comments):

```
/RMLIST DBRC='DB DBD(DIVNTZ04)'. *LAST COMMENT*.
```

Response ET:

```
LIST.DB DBD(DIVNTZ04)
```

```
RECON1 DSN=RECONH1
```

```
-----
DB
DBD=DINNTZ04          IRLM=*NULL      DMB#=769          TYPE=IMS
SHARE LEVEL=0

  FLAGS:                COUNTERS:
      BACKOUT NEEDED=OFF      RECOVERY NEEDED COUNT=0
      READ ONLY=OFF          IMAGE COPY NEEDED COUNT=1
PROHIBIT AUTHORIZATION=OFF    AUTHORIZED SUBSYSTEMS=0
      RECOVERABLE=YES        HELD AUTHORIZATION STATE=0
                              EEQE COUNT=0
```

```
DSP0180I  NUMBER OF RECORDS LISTED IS 1
DSP0203I  COMMAND COMPLETED WITH CONDITION CODE 00
DSP0220I  COMMAND COMPLETION TIME
DSP0211I  COMMAND PROCESSING COMPLETE.
DSP0211I  HIGHEST CONDITION CODE = 00
DSP0058I  RML COMMAND COMPLETED
```

Entry ET:

```
/RMLIST DBRC='DB DBD(DIVNTZ04) DBDS'
```

Response ET:

```
LIST.DB DBD(DIVNTZ04) DBDS
RECON1 DSN=RECONH1
```

```
-----
DB
DBD=DIVNTZ04          IRLMID=*NULL      DMB#=769          TYPE=IMS
SHARE LEVEL=0

  FLAGS:                COUNTERS:
      BACKOUT NEEDED=OFF      RECOVERY NEEDED COUNT=0
      READ ONLY=OFF          IMAGE COPY NEEDED COUNT=1
PROHIBIT AUTHORIZATION=OFF    AUTHORIZED SUBSYSTEMS=0
      RECOVERABLE=YES        HELD AUTHORIZATION STATE=0
                              EEQE COUNT=0
```

```
-----
DBDS  DSN      =JDSGIIZ4                      DBDS SEQ=1  IMS
      DBD=DIVNTZ04 DDN=DBHVSAM1 DSID=01 DBORG=HISAM DSORG=VSAM DSLOG SEQ=00
      CA GRPNAME=**NULL** GENMAX=3   IC AVAIL=0   IC USED=0
      IC NEEDED-ON                      RECOV-OFF
      NOREUSE ICJCL=ICJCL   OICJCL=OICJCL   RECOVJCL=RECOVJCL
-----
```

```
DBDS  DSN      =JDSGIIZ4                      DBDS SEQ=2  IMS
      DBD=DIVNTZ04 DDN=DBHVSAM2 DSID=01 DBORG=HISAM DSORG=VSAM DSLOG SEQ=00
      CA GRPNAME=**NULL** GENMAX=3   IC AVAIL=0   IC USED=0
```

```

                IC NEEDED-OFF          RECOV-OFF
            NOREUSE ICJCL=ICJCL      OICJCL=OICJCL  RECOVJCL=RECOVJCL
DSP0180I  NUMBER OF RECORDS LISTED IS 3
DSP0203I  COMMAND COMPLETED WITH CONDITION CODE 00
DSP0220I  COMMAND COMPLETION TIME
DSP0211I  COMMAND PROCESSING COMPLETE.
DSP0211I  HIGHEST CONDITION CODE = 00
DSP0058I  RML COMMAND COMPLETED
    
```

Entry ET (With Comments):

/RML DBRC='DBDS DBD(DEDBJN21) AREA(DB21AR0)'. \*VSO AREA\*.

Response ET:

```

LIST.DBDS DBD(DEDBJN21) AREA(DB21AR0)
-----
DBDS
DBD=DEDBJN21 AREA=DB21AR0                                TYPE=FP
SHARE LEVEL=1                DSID=001 DBORG=DEDB  DSORG=VSAM
GSG NAME=**NULL**            USID=0000000002
AUTHORIZED USID=0000000002  RECEIVE USID=0000000002  MAX USID=0000000002
RECEIVE NEEDED USID=0000000000
CAGRP=**NULL**  GENMAX=5    IC AVAIL=0    IC USED=0    DSSN=0000000
HSSP IC IN PROCESS=NO      AVAIL        USED        PARTIAL
                                HSSP IC=0    HSSP IC=0    HSSP IC=0
REUSE                RECOVPD=0  VSO    PREOPEN  PRELOAD
DEFLTJCL=**NULL**  ICJCL=ICJCL  RECVJCL=ICRCVJCL  RECOVJCL=RECOVJCL
FLAGS:                COUNTERS:
  PROHIBIT AUTHORIZATION=OFF    AUTHORIZED SUBSYSTEMS  =1
                                HELD AUTHORIZATION STATE=7
  IC NEEDED                =OFF    ADS AVAIL #            =1
  RECOV NEEDED              =OFF    REGISTERED ADS #      =1
                                EEQE COUNT                    =0
  TRACKING IN PROGRESS     =NO     RECEIVE NEEDED        =OFF
  OFR REQUIRED                =NO
  TRACKING SUSPENDED       =NO
ADS LIST:
                                CREATE
  -ADS DDN--ADS DSN-        -STAT- -RUNNING-
  DB21AR0 DB21AR0          AVAIL    NO
ASSOCIATED SUBSYSTEM INFORMATION:
                                ENCODED
  -SSID-  -ACCESS INTENT-  -STATE-  -SS ROLE-
  SYS3    EXCLUSIVE        7          ACTIVE
ALLOC
ALLOC = 93.076 13:30:35.0*  START = 93.076 13:30:23.3
LRID=0000000000000000    DSSN=0000000001  USID=0000000002
REORG
RUN = 93.076 13:23:38.0*  USID=0000000000
DSP0180I  NUMBER OF RECORDS LISTED IS 3
DSP0203I  COMMAND COMPLETED WITH CONDITION CODE 00
DSP0220I  COMMAND COMPLETION TIME 93.076 13:37:36.7
DSP0211I  COMMAND PROCESSING COMPLETE
DSP0211I  HIGHEST CONDITION CODE = 00
DSP0058I  RML COMMAND COMPLETED
    
```

Entry ET (With Comments):

/RML DBRC='DBDS DBD(DEDBJN21) AREA(DB21AR6)'. \*DEDB AREA\*.

Response ET:

```

LIST.DBDS DBD(DEDBJN21) AREA(DB21AR6)
-----
DBDS
DBD=DEDBJN21 AREA=DB21AR6                                TYPE=FP
SHARE LEVEL=1                DSID=007 DBORG=DEDB  DSORG=VSAM
    
```

```

GSG NAME=**NULL**          USID=0000000002
AUTHORIZED USID=0000000002 RECEIVE USID=0000000002 MAX USID=00000000
RECEIVE NEEDED USID=0000000000
CAGRP=**NULL** GENMAX=5    IC AVAIL=0      IC USED=0      DSSN=00000000
HSSP IC IN PROCESS=NO      AVAIL      USED      PARTIAL
                             HSSP IC=1      HSSP IC=0      HSSP IC=0
REUSE          RECOVPD=0    NOVSO  NOPREOPEN  NOPRELOAD
DEFLTJCL=**NULL** ICJCL=ICJCL  RECVJCL=ICRCVJCL RECOVJCL=RECOVJCL
FLAGS:          COUNTERS:
  PROHIBIT AUTHORIZATION=OFF    AUTHORIZED SUBSYSTEMS =0
                                HELD AUTHORIZATION STATE=0
  IC NEEDED          =OFF        ADS AVAIL #           =0
  RECOV NEEDED       =ON         REGISTERED ADS #      =1
                                EEQE COUNT                   =0
  TRACKING IN PROGRESS =NO       RECEIVE NEEDED        =OFF
  OFR REQUIRED         =NO
  TRACKING SUSPENDED =NO
ADS LIST:
                                CREATE
                                -STAT- -RUNNING
                                UNAVAIL NO
  -ADS DDN--ADS DSN-
  DB21AR6 DB21AR6
ALLOC
  ALLOC = 93.076 13:32:05.0* START = 93.076 13:30:23.3
  LRID=00000000000000000000 DSSN=0000000001 USID=0000000002
  DEALLOC = 93.076 13:34:21.2 DEALLOC LRID=000000000000000000
REORG
  RUN = 93.076 13:24:12.5* USID=00000000000
                                AVAILABLE DATA SET
                                DBD=DEDBJN21 DDN=DB21AR6
IMAGE
* CREATE = 93.076 13:22:52.8* HSSP
  IC1
  DSN=IC21AR6
DSP0180I NUMBER OF RECORDS LISTED IS 4
DSP0203I COMMAND COMPLETED WITH CONDITION CODE 00
DSP0220I COMMAND COMPLETION TIME 93.076 13:38:21.0
DSP0211I COMMAND PROCESSING COMPLETE
DSP0211I HIGHEST CONDITION CODE = 00
DSP0058I RML COMMAND COMPLETED

```

## Example for /RMNOTIFY Command

Entry ET (with comments):

```
/RMNOTIFY DBRC='SUBSYS SSID(IMSB) IRLMID(IRLM1) NORMAL'. *END OF DAY MESSAGE*.
```

Response ET:

```

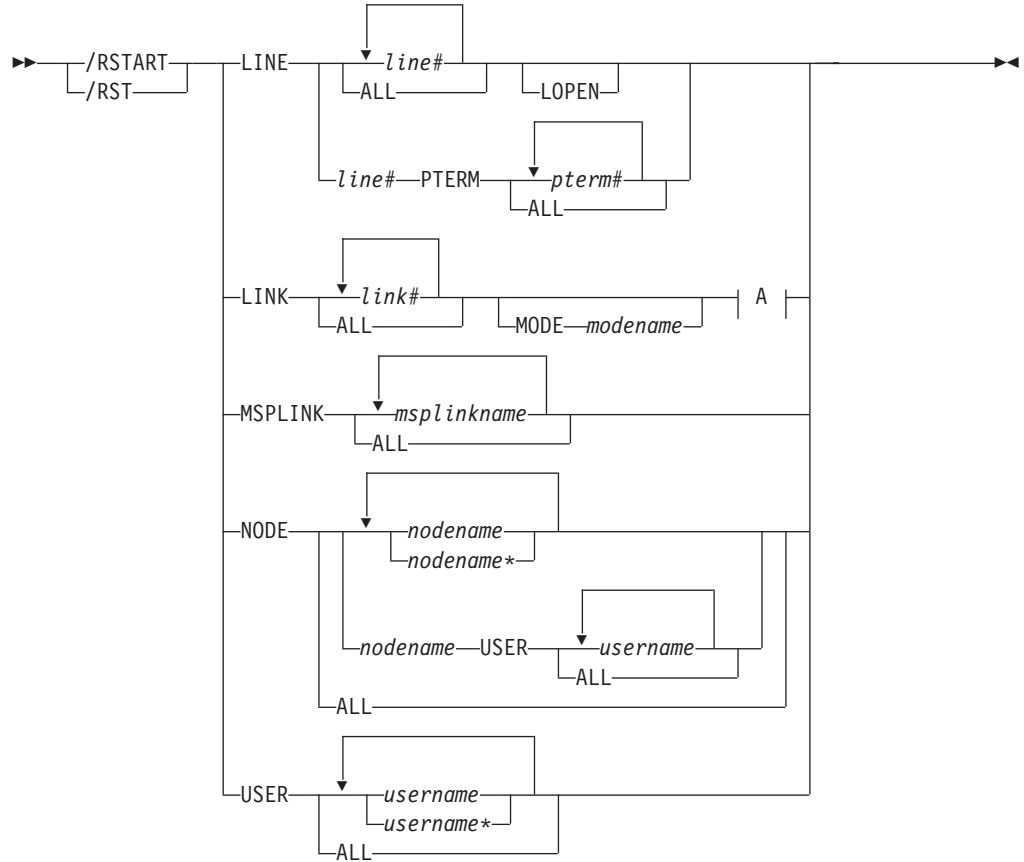
NOTIFY.SUBSYS SSID(IMSB) IRLMID(IRLM1) NORMAL
DSP0203I COMMAND COMPLETED WITH CONDITION CODE 00
DSP0220I COMMAND COMPLETION TIME
DSP0211I COMMAND PROCESSING COMPLETE.
DSP0211I HIGHEST CONDITION CODE = 00
DSP0058I RMN COMMAND COMPLETED

```



# Chapter 51. /RSTART

## Format



**A:**



## Environments and Keywords

Table 139 lists the environments (DB/DC, DBCTL, and DCCTL) from which the command and keywords can be issued.

Table 139. Valid Environments for the /RSTART Command and Keywords

Command / Keywords	DB/DC	DBCTL	DCCTL
/RSTART	X		X
CONTINUOUS	X		X
LINE	X		X
LINK	X		X
LOPEN	X		X

Table 139. Valid Environments for the /RSTART Command and Keywords (continued)

Command / Keywords	DB/DC	DBCTL	DCCTL
MODE	X		X
MSPLINK	X		X
NODE	X		X
PTERM	X		X
USER	X		X

---

## Usage

/RSTART starts lines, lines and physical terminals, logical links, nodes, and users when you do not want to reset all associated conditions such as a conversation or special operating mode.

/RSTART checks the validity of all parameters entered by the terminal operator. If an error is detected on parameters that are independent of one another, only the invalid parameters are flagged as being in error and the /RSTART command processes the rest of the parameters.

/RSTART can be used to reset conditions previously established by the /START, /STOP, /PSTOP, /PURGE, /MONITOR, /COMPT, or /RCOMPT command.

### LINE

specifies the line or line/physical terminal to be started with all terminals on the line in the same mode of operation they were in when they were stopped.

/RSTART LINE allows all input, output, and queuing to start on the line and take the line out of response mode if the line was in this mode. /RSTART LINE PTERM does not reset line response mode, but does reset the BTAM-attached 3270 terminal response mode and looptest mode.

### LOPEN

LOPEN enables stopped and idle remote BTAM lines. Enter the /RSTART LINE LOPEN command before any /RSTART LINE PTERM command to avoid having a line that is stopped and idle reset before it can be enabled again. If the line is not stopped or process stopped, and idle, or if enabling is not applicable, the LOPEN keyword is ignored and processing continues.

/RSTART LINE and /RSTART NODE cannot reset terminal response mode if Fast Path is active for a specified physical terminal or node. /DEQUEUE must be entered to discard Fast Path output before using /RSTART.

### LINK

Specifies the logical links to be started, either individually or all at once. Communication between IMS systems does not begin until a /START LINK command is entered in both systems for BTAM, CTC, or MTM link, or in either one of the systems for a VTAM link. /RSTART LINK will be rejected unless the link is in process stopped and idled status and the assigned physical link is open, as shown in the /DISPLAY command. /RSTART LINK also re-enables BTAM-attached BSC logical links.

### CONTINUOUS

Keeps the link running by sending dummy data blocks when there is no data to be sent. These blocks are discarded when received. This mode of operation eliminates the need for either side to bid for the line, which can

improve the traffic handling capabilities of a high usage link. The block size parameter is the size of the dummy data blocks to be sent.

If the size is not specified, it defaults to 2 bytes. The maximum size of the dummy data blocks to be sent is equal to the size of the link buffer minus 80 bytes.

The CONTINUOUS keyword is ignored if the link is not BTAM. If multiple links are restarted and the CONTINUOUS keyword is specified, only the BISYNC links are restarted in continuous mode.

A /PSTOP LINK command resets continuous mode. If a link is stopped because of an error while in continuous mode, a /RSTART command that does not specify the CONTINUOUS parameter will reset continuous mode.

### **MODE**

The MODE keyword allows you to specify mode table entries to be used when activating an IMS VTAM MSC session. Use of the MODE keyword with non-VTAM links is invalid. If non-VTAM links are referred to specifically in a /RSTART LINK command with the MODE keyword, they will be marked in error.

### **MSPLINK**

Specifies that only MSC VTAM links be reset to allow logons.

### **NODE**

Specifies the VTAM node for which input, output, and queuing will start. The /RSTART NODE nodename USER username command restarts the ISC half-session allocated to *username* for *nodename*. The USER keyword is valid only with the NODE keyword and restarts the specified half-session. If the USER keyword is omitted, all half-sessions of the specified node are affected.

These conditions apply to ISC, dynamic 3600 and dynamic LUP.

The NODE parameter can be generic if the USER keyword is not specified. The generic parameter specifies nodes that already exist. If the node was created temporarily to retain status data and the status conditions have been reset, then the node is deleted at the next simple checkpoint.

If global resource information is not kept in Resource Manager, the /RSTART NODE command allows a node to logon to the local IMS, without resetting local status. If global resource information is kept in Resource Manager, the /RSTART NODE command allows a node to logon to any IMS in the IMSplex, without resetting global node status kept in Resource Manager. If the node no longer has significant status, it is deleted by Resource Manager.

### **USER**

Specifies the USER for which input, output, and queueing are to start. This command starts the USER without resetting conditions such as conversation mode, exclusive mode, and test mode. The /RSTART USER command applies only to dynamic users.

The USER parameter can be generic where the generic parameter specifies already existing users.

If the user structure is temporary and was created solely to retain status that is now reset, the temporary user is deleted at the next simple checkpoint.

If global resource information is not kept in Resource Manager, the /RSTART USER command allows a user to signon to the local IMS. If global resource information is kept in Resource Manager, the /RSTART USER command allows a

user to signon to any IMS in the IMSplex. If the user no longer has significant status in Resource Manager, it is deleted.

---

## Examples

### Example 1 for /RSTART Command

Entry ET:

```
/RSTART LINE 4,5,6,7,8,9,10,11
```

Response ET:

```
DFS058I RSTART COMMAND COMPLETED
```

Response RT:

```
DFS059I TERMINAL RSTARTED
```

Explanation: LINES 4,5,6,7,8,9,10, and 11 are started.

### Example 2 for /RSTART Command

Entry ET:

```
/RSTART LINE 4 5 6 700
```

Response ET:

```
DFS058I RSTART COMMAND COMPLETED EXCEPT LINE 700
```

### Example 3 for /RSTART Command

Entry ET:

```
/RSTART LINE 4 PTERM 1, 2
```

Response ET:

```
DFS058I RSTART COMMAND COMPLETED
```

Response RT:

```
DFS059I TERMINAL RSTARTED
```

Explanation: LINE 4 PTERM 1 and 2 are started.

### Example 4 for /RSTART Command

Entry ET:

```
/RSTART LINE 4 LOPEN
```

Response RT:

```
DFS058I RSTART COMMAND COMPLETED
```

Response ET:

```
DFS059I TERMINAL RSTARTED
```

Explanation: If line 4 is a 3270 remote BTAM line that is idle and stopped, the line is restarted and re-enabled.



## Example 5 for /RSTART Command

Entry ET:

```
/RSTART LINK ALL
```

Response ET:

```
DFS058I RSTART COMMAND COMPLETED
```

Explanation: All of the logical links are started. Communication across the link will not begin until the partner in the remote system is started with the /RSTART LINK command.

Response ET:

```
DFS2168I CONNECTION ESTABLISHED ON LINK 2
```

Explanation: The connection for communication between two IMS systems is established. The partner link is started with a /RSTART LINK command. After each connection, the message DFS2168 is returned.

## Example 6 for /RSTART Command

Entry ET:

```
/RSTART LINK 2
```

Response ET:

```
DFS058I RSTART COMMAND COMPLETED
```

Explanation: Logical link 2 is started.

Response ET:

```
DFS2168I CONNECTION ESTABLISHED ON LINK 2
```

Explanation: The two IMS systems are connected.

## Example 7 for /RSTART Command

Entry ET:

```
/RSTART LINK 4
```

Response ET:

```
DFS058I RSTART COMMAND COMPLETED
```

Response ET at Partner System:

```
DFS2160I LINK 4 STARTED BY PARTNER AB NODE WEST
```

Explanation: Link 4 was started at the request of the primary system.

## Example 8 for /RSTART Command

Entry ET:

```
/RSTART NODE EAST
```

Response ET:

```
DFS058I RSTART COMMAND COMPLETED
```

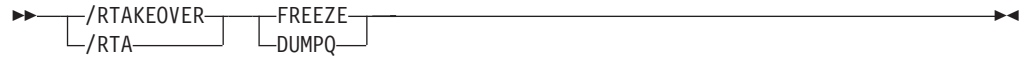
Explanation: The node named EAST is started.



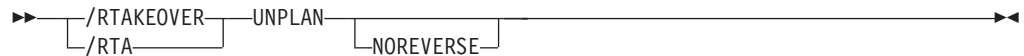
## Chapter 52. /RTAKEOVER

### Format

#### /RTAKEOVER for an Active Subsystem



#### /RTAKEOVER for a Tracking Subsystem



### Environments and Keywords

Table 140 lists the environments (DB/DC, DBCTL, and DCCTL) from which the command and keywords can be issued.

Table 140. Valid Environments for the /RTAKEOVER Command and Keywords

Command / Keywords	DB/DC	DBCTL	DCCTL
/RTAKEOVER	X	X	X
DUMPQ	X	X	X
FREEZE	X	X	X
NOREVERSE	X	X	X
UNPLAN	X	X	X

### Usage

The /RTAKEOVER command requests a remote takeover of an active IMS subsystem by a tracking subsystem at a secondary site. The remote takeover causes the tracking subsystem to finish processing and shut down.

If entered on an active subsystem, /RTAKEOVER also causes the active subsystem to shut down. Once the remote tracking subsystem has shut down and remote takeover has successfully completed, one or more subsystems may be brought up in an active role at the secondary site and started with standard IMS restart commands.

Unless you specify the NOREVERSE keyword, a remote takeover can be reversed, even after the /RTAKEOVER command has been issued. The NORTA parameter on the CHANGE.SG command can be used to reverse a remote takeover. See *IMS Version 9: Operations Guide*.

#### /RTAKEOVER for an Active Subsystem

/RTAKEOVER is issued on the active IMS subsystem to initiate a planned remote takeover and must be specified with either the FREEZE keyword or the DUMPQ keyword.

/RTAKEOVER FREEZE indicates that a /CHECKPOINT FREEZE type of shutdown is performed before the planned takeover occurs.

/RTAKEOVER DUMPQ indicates that a /CHECKPOINT DUMPQ type of shutdown is performed before the planned takeover occurs. This form of takeover provides that all relevant log records reach the tracking subsystem such that no data is lost. This form of takeover allows the capability to rebuild the message queues during the new active start.

/RTAKEOVER must be entered for at least one IMS subsystem in the global service group (GSG) at the active site for which takeover is to occur. The other IMS subsystems at the active site must also be shut down, either with the /RTAKEOVER command, or some form of the /CHECKPOINT command that shuts the system down.

Once the active sends all of its log data sets, the active IMS subsystem shuts down. When all of the active subsystems in the global service group have shut down, the tracking subsystem then completes tracking work, stops online forward recovery (OFR), changes the role of the service group (tracking to active) in the RECON data set, and shuts down.

## /RTAKEOVER for a Tracking Subsystem

/RTAKEOVER UNPLAN is issued on the tracking IMS subsystem to initiate an unplanned remote takeover after the active site fails unexpectedly. /RTAKEOVER UNPLAN causes the tracking subsystem to complete tracking work, stops online forward recovery (OFR), changes the role of the service group (tracking to active) in the RECON data set, and shuts down.

**Recommendation:** Specify the NOREVERSE keyword to allow the tracking IMS subsystem to save and process all data it has received from the active site, regardless of whether that data was committed on the active IMS subsystem.

Although you can still reverse a remote takeover even if you specify NOREVERSE, you should not reverse it; in this case, you receive message DFS4122A when you restart the tracking subsystem.

If you do not specify NOREVERSE, the tracking IMS subsystem discards any uncommitted data it has received from the active subsystem.

---

## Examples

### Example for /RTAKEOVER Command at Active Site

Entry ET:

```
/RTA FREEZE
```

Response ET:

```
DFS2939I REMOTE SITE PLANNED TAKEOVER IN PROGRESS SYS3
DFS2719I MSDB CHECKPOINT WRITTEN TO MSDBCP2  SYS3 DFS994I
          *CHKPT 94308/160026**FREEZE*  SYS3
DFS3499I ACTIVE DDNAMES: MODBLKSA IMSACBB  FORMATA  MODSTAT ID:  2 SYS3
DFS3804I LATEST RESTART CHKPT: 94308/160026, LATEST BUILDQ CHKPT: 94308/154950 SYS3
DFS4036I CONVERSATION ENDING WITH SERVICE GROUP STLSITE2 SYS3
DFS3257I ONLINE LOG CLOSED ON DFSOLP01 SYS3
DFS2484I JOBNAME=JT160031 GENERATED BY LOG AUTOMATIC ARCHIVING SYS3
DFS092I  IMS LOG TERMINATED      SYS3
DFS4036I CONVERSATION ENDED  WITH SERVICE GROUP STLSITE2 SYS3
```

```
DFS4024I STOP SERVGRP PROCESSING (INTERNAL) COMPLETE SYS3
DFS2091I IMS TIMER SERVICE SHUTDOWN COMPLETE SYS3
DFS0617I RDS BUFFERS HAVE BEEN SUCCESSFULLY PURGED SYS3
```

Response received at the Tracking system:

```
DFS2932I DATABASE UPDATES PRIOR TO SYSTEM SYS3 TAKEOVER HAVE BEEN
ROUTED SYS3
```

## Example for /RTAKEOVER DUMPQ at Active Site

Entry ET:

```
/RTA DUMPQ
```

Response ET:

```
DFS2939I REMOTE SITE PLANNED TAKEOVER IN PROGRESS SYS3
DFS2719I MSDB CHECKPOINT WRITTEN TO MSDBCP2 SYS3
DFS994I *CHKPT 94308/165340**DUMPQ** SYS3
DFS3499I ACTIVE DDNAMES: MODBLKSA IMSACBB FORMATA MODSTAT ID: 2 SYS3
DFS3804I LATEST RESTART CHKPT: 94308/165340, LATEST BUILDQ CHKPT: 94308/165340 SYS3
DFS4036I CONVERSATION ENDING WITH SERVICE GROUP STLSITE2 SYS3
DFS3257I ONLINE LOG CLOSED ON DFSOLP01 SYS3
DFS2484I JOBNAME=JT165345 GENERATED BY LOG AUTOMATIC ARCHIVING SYS3
DFS092I IMS LOG TERMINATED SYS3
DFS4036I CONVERSATION ENDED WITH SERVICE GROUP STLSITE2 SYS3
DFS4024I STOP SERVGRP PROCESSING (INTERNAL) COMPLETE SYS3
DFS2091I IMS TIMER SERVICE SHUTDOWN COMPLETE SYS3
DFS0617I RDS BUFFERS HAVE BEEN SUCCESSFULLY PURGED SYS3
```

Response received at the Tracking system:

```
DFS2932I DATABASE UPDATES PRIOR TO SYSTEM SYS3 TAKEOVER HAVE BEEN
ROUTED SYS3
```

## Example for /RTAKEOVER UNPLAN at Remote Site

Entry ET:

```
/RTA UNPLAN
```

Response ET:

```
DFS4123I UNPLANNED TAKEOVER IN PROGRESS
DFS2913I CONVERSATION WITH IMS SYS3 TERMINATED: TRK SYS SHUTDOWN
DFS2913I CONVERSATION WITH IMS IMS2 TERMINATED: TRK SYS SHUTDOWN
DFS2500I DATASET IMZ00007 SUCCESSFULLY DEALLOCATED
DFS2500I DATASET IMZ00015 SUCCESSFULLY DEALLOCATED
DFS2934I LOG TRUNCATION STARTED FOR IMS: IMS2
DFS2934I LOG TRUNCATION STARTED FOR IMS: SYS3
DFS2943I THERE ARE NO DATA SETS TO TRUNCATE FOR SYS3
DFS2908I DATABASE UPDATES COMPLETE FOR REMOTE TAKEOVER PROCESSING
DFS2500I DATASET IMZ00020 SUCCESSFULLY CREATED
DFS2500I DATASET IMZ00021 SUCCESSFULLY ALLOCATED
DFS4040I SHADOW LOG CREATE, DD=IMZ00020, DSN=IMSTESTL.RSR.SLDS1.N0000016
DFS2500I DATASET IMZ00021 SUCCESSFULLY DEALLOCATED
DFS2935I TRACKING LOG DATA SETS HAVE BEEN TRUNCATED AT 000000000000209C:
DFS2936I IMSTESTL.RSR.SLDS1.N0000012
DFS2500I DATASET IMZ00016 SUCCESSFULLY DEALLOCATED
DFS2500I DATASET IMZ00020 SUCCESSFULLY DELETED
DFS4126I TAKEOVER COMPLETE
DFS994I *CHKPT 94310/160240**FREEZE*
DFS3499I ACTIVE DDNAMES: MODBLKSA IMSACBA FORMATA MODSTAT ID: 3
DFS3804I LATEST RESTART CHKPT: 94310/160240, LATEST BUILDQ CHKPT: 94310/155301
DFS3257I ONLINE LOG CLOSED ON DFSOLP01
DFS2484I JOBNAME=JT160245 GENERATED BY LOG AUTOMATIC ARCHIVING
```

```
DFS092I IMS LOG TERMINATED
DFS2091I IMS TIMER SERVICE SHUTDOWN COMPLETE
DFS0617I RDS BUFFERS HAVE BEEN SUCCESSFULLY PURGED
```

Explanation: An unplanned takeover is successfully initiated for a tracking subsystem that was tracking 2 active subsystems (SYS3 and IMS2).



verification in APPC/MVS is not affected. Disables MVS System Authorization Facility security for IMS AP SBs.

### PROFILE

Causes the values in the TP profile for each transaction to be used. If the TP profile is not defined for a transaction, or if the TP profile does not specify a RACF security level, then the default security is CHECK.

### OTMA

Is used with the CHECK, FULL, NONE, or PROFILE parameters to control the RACF security level for input from IMS Open Transaction Manager Access (OTMA) clients. The /DISPLAY OTMA command can be used to show the security level that is currently in effect. After an IMS cold start, the security default is FULL if the IMS start-up parameter OTMASE= is not used. If the IMS initialization parameter OTMASE is not specified, IMS retains OTMA security settings (established by a /SECURE OTMA command) after a warm start or emergency restart. If the OTMASE parameter is used, the security option for OTMA will be determined by the OTMASE= setting.

**Related Reading:** For more information about the OTMASE parameter, see the *IMS Version 9: Installation Volume 2: System Definition and Tailoring*.

### CHECK

Causes existing RACF calls to be made. IMS commands are checked using the RACF resource class of CIMS. IMS transactions are checked using TIMS.

### FULL

Causes the same processing as the CHECK parameter but uses additional RACF calls to create the security environment for dependent regions.

### NONE

Does not call RACF within IMS for security verification.

### PROFILE

Causes the values in the Security Data section of the OTMA message prefix for each transaction to be used.

### REFRESH

OTMA caches the ACEE for a userid to reduce the amount of RACF I/O. As a result, a refresh for the cached ACEE is needed after the RACF database is updated. Issuing the /SEC OTMA REFRESH command without the TMEMBER option will perform the ACEE refresh for all userids for all the OTMA clients. However, the actual ACEE refresh occurs when the next OTMA message for the userid is received. This is designed to prevent all the RACF ACEE refreshes from happening at one time.

---

## Examples

### Example 1 for /SECURE Command

Entry ET:

```
/DIS APPC
```

Response ET:

```
IMSLU      #APPC-CONV SECURITY STATUS  DESIRED
IMSLUNME   0 PROFILE  ENABLED  ENABLED
*91242/163820*
```

Explanation: Enter /DISPLAY APPC to see which security checking option is in effect.



Entry ET:  
/SECURE APPC FULL

Response ET:  
DFS058I SECURE COMMAND COMPLETED

## Example 2 for /SECURE Command

Entry ET:  
/DIS OTMA

Response ET:

GROUP/MEMBER	XCF-STATUS	USER-STATUS	SECURITY
HARRY			
-APPL8	ACTIVE	SERVER	FULL
*95068/175730*			

Explanation: Enter /DISPLAY OTMA to see which security checking option is in effect.

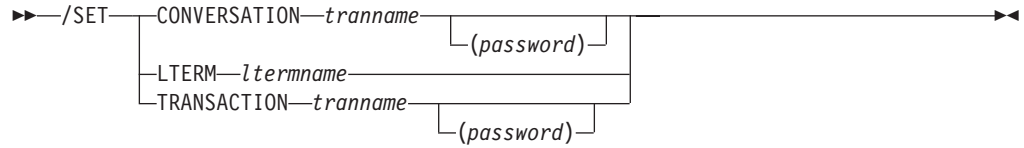
Entry ET:  
/SECURE OTMA FULL

Response ET:  
DFS058I SECURE COMMAND COMPLETED



## Chapter 54. /SET

### Format



### Environments and Keywords

Table 142 lists the environments (DB/DC, DBCTL, and DCCTL) from which the command and keywords can be issued.

Table 142. Valid Environments for the /SET Command and Keywords

Command / Keywords	DB/DC	DBCTL	DCCTL
/SET	X		X
CONVERSATION	X		X
LTERM	X		X
TRANSACTION	X		X

### Usage

/SET establishes the destination of all messages entered into this terminal to another terminal or to a particular transaction code. If the terminal is in conversation, the /SET command also sets the destination of only the next message to the specified transaction.

The status fields of /DISPLAY LINE PTERM, /DISPLAY NODE, or /DISPLAY USER indicate if a physical terminal, node, or user is in preset destination mode (PRST), and display the destination transaction code or logical terminal name.

#### CONVERSATION

Directs the next input message to a selected transaction. The terminal being used must be in a conversation that is waiting for an input message. For example, the response message must have been received.

In an IMSplex, if global resource information is kept in Resource Manager, the /SET command sets a transaction for the next input message both globally and locally. If global resource information is not kept in Resource Manager, the /SET command sets the transaction just locally.

#### LTERM

Specifies the logical terminal that is the destination of all messages entered into this terminal.

The mode established by /SET LTERM is called preset mode. If the preset mode is established from a 3270 and user-defined formats are not being used, input message must be entered from a cleared screen. Preset mode can be reset by:

```
/IAM
/STOP LINE PTERM
/STOP NODE command
/STOP USER command
```

```
/RESET  
/STOP NODE  
/STOP LINE  
/STOP USER
```

Once a destination is preset, the terminal operator cannot enter the destination (logical terminal name) as the first part of the message.

In a multiple systems configuration, the name of a remote logical terminal can be specified. If the preset destination is to be deleted (/RESET) or changed (/SET), the command must be entered from some other valid component.

### **TRANSACTION**

Specifies the transaction code that is the destination of all messages entered into this terminal. The mode established by /SET TRANSACTION is called preset mode. If the preset mode is established from a 3270 and user-defined formats are not being used, input messages must be entered from a cleared screen. Preset mode can be reset by:

```
/IAM  
/START LINE PTERM  
/RESET  
/STOP NODE  
/STOP LINE  
/STOP USER
```

Once a destination is preset, the terminal operator cannot enter the destination (transaction code) as the first part of the message. In a multiple systems configuration, the name of a remote transaction can be specified. The terminal cannot be in conversation.

---

## **Examples**

### **Example 1 for /SET Command**

Entry ET:

```
/SET CONVERSATION CONVTRAN(password)
```

Response ET:

```
DFS058I SET COMMAND COMPLETED
```

Explanation: Any message entered from this terminal is sent to conversation CONVTRAN.

### **Example 2 for /SET Command**

Entry ET:

```
/SET LTERM CNTRL
```

Response ET:

```
DFS058I SET COMMAND COMPLETED
```

Explanation: Any message entered from this terminal is sent to LTERM CNTRL.

### **Example 3 for /SET Command**

Entry ET:

```
/SET TRANSACTION IMS(password)
```

Response ET:

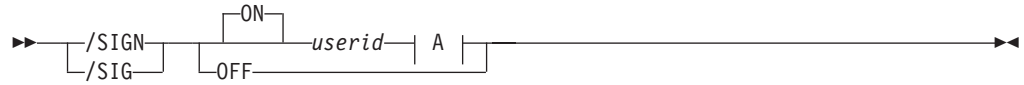
```
DFS058I  SET COMMAND COMPLETED
```

Explanation: Any message entered from this terminal is sent to transaction IMS.

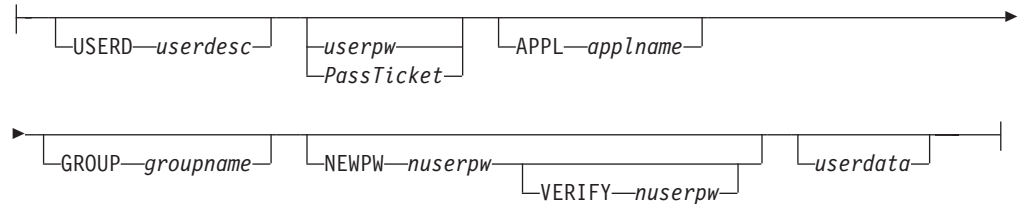


## Chapter 55. /SIGN

### Format



**A:**



### Environments

Table 143 lists the environments (DB/DC, DBCTL, and DCCTL) from which the command can be issued.

Table 143. Valid Environments for the /SIGN Command

Command	DB/DC	DBCTL	DCCTL
/SIGN	X		X

### Usage

The /SIGN command is used to sign on and sign off at terminals attached to IMS. This command enables IMS to identify who is using the terminal and to determine if you are authorized to enter the transaction or command.

When SGN=G, Z, or M is specified, the user can sign on multiple times to both STATIC and ETO terminals when the structure name is different from the user ID.

The status fields of /DISPLAY NODE and /DISPLAY LINE PTERM indicate whether a terminal is signed on with the word SIGN.

#### ON

/SIGN ON must be issued for any physical terminal or user ID requiring a signon, or the transaction entered is rejected.

From terminals that require signon, commands other than /SIGN or /RCLSDST are rejected if transaction authorization is requested. Static terminals requiring a signon also have enhanced command authorization with RACF or an equivalent product if RCF=S or RCF=A is specified at system startup.

At terminals not requiring signon, transactions are passed to RACF, an equivalent security product, or a user exit for authorization checking. If /SIGN ON is entered at a terminal not requiring a signon, the signon is processed as if the terminal required a signon. That is, the terminal is placed in a signed on status

with the user ID until a /SIGN OFF or another /SIGN ON command is entered. For switched terminals, the /IAM command must be issued before the /SIGN ON command.

After any IMS restart or terminal disconnect, the remote terminal operator is required to sign on again using the /SIGN ON command. A terminal can be disconnected by:

- A switched line disconnect
- A VTAM CLSDST
- A line shutdown
- The /IDLE command
- Auto logoff

Signon status is also reset by the /START LINE, /START LINE PTERM, and /START NODE commands and auto signoff.

The remote terminal operator must wait at a static physical terminal for confidential responses, because responses queued for a given physical terminal are sent even if the physical terminal is signed off. If the remote terminal operator must be absent, the /LOCK command can be used to prevent output from being received. Confidential output sent to a dynamic user is queued to the user instead of to the physical terminal when the user has signed off. A successful signon of an existing user turns off the DEADQ status for the user, if that status exists.

#### **APPL**

A keyword that notifies IMS that the following character string should be the application name used by IMS when IMS makes the SAF call to verify the user. The default application name used by IMS is the IMSID. The IMSID can be overridden by the SAPPLID= parameter in the IMS PROCLIB member DFSDCxxx. If the signon specifies a PassTicket instead of a password, the APPL parameter should specify the application name used when the PassTicket was created. The creator of the PassTicket can specify any value to identify an IMS subsystem.

If RACF is used, APPL= should specify the name of the RACF PTKTDATA profile for IMS as defined to RACF by the creator of the PassTicket. If the name of the PTKTDATA profile is the same as the IMSID, the APPL keyword is not needed. For more information on the RACF secured signon PassTicket, see the *RACF Macros and Interfaces* manual. For more information on using the secured signon function, see the *RACF Security Administrator's Guide*.

#### **GROUP**

Is an optional keyword indicating a group name of 8 characters or fewer that is associated with the user ID.

#### **NEWPW**

Is an optional keyword indicating a new user password of 8 characters or fewer that replaces the current user password specified in *userpw*.

#### **nuserpw**

Is a new password of 8 characters or fewer that is associated with the user identification.

#### **PassTicket**

A one-time password that is generated by a requesting product or function.



The *PassTicket* is an alternative to the RACF password. Using a *PassTicket* removes the need to send RACF passwords across the network in clear text.

### USERD

Is a user descriptor name. This user descriptor name is used in the sign on. The userdesc parameter must be a user ID, node name or DFSUSER.

### userdata

Is user identification information that has been defined to IMS with the (RACF), equivalent security product or the user exit routine, DFSCSGN0. For RACF, this information consists of the following:

```
userpw  GROUP groupname  NEWPW nuserpw
```

### userid

Is a user identification of 8 characters or fewer.

### userpw

Is a password of 8 characters or fewer that is associated with the user identification.

### VERIFY

Is an optional keyword that requests IMS to verify the new password entered. IMS verifies the new password before passing it to RACF or to the IMS signon exit routines. This keyword can also be used as an alternative to re-entering the password on the DFS3656 panel.

**Restriction:** You can use this keyword only when responding to an IMS DFS3656A message and as an alternative to re-entering the password on the DFS3656 panel.

For the user exit routine DFSCSGN0, the user ID and userdata parameter values are defined by the installation.

### OFF

The /SIGN OFF command is used to complete a session on a terminal that required a signon. Static terminals in conversational mode cannot be signed off without first issuing an /EXIT or /HOLD command.

Another method of signing off a terminal is to reenter the /SIGN ON command. This method initiates a new signon at the terminal without having to enter the /SIGN OFF command.

The /SIGN OFF command resets status that is not significant such as preset mode, test mode, response mode, lock lterm, pstop lterm, and purge lterm.

/SIGN OFF for ETO users will also take other actions depending on the recovery settings for the user:

#### RCVYCONV=NO

/SIGN OFF causes any IMS conversations (active and held) for an ETO user to be terminated. Any conversational message that is queued or being processed has its output response message delivered asynchronously.

#### RCVYFP=NO

/SIGN OFF causes Fast Path status and messages for an ETO user to be discarded.

If global resource information is kept in Resource Manager, /SIGN OFF deletes the user ID from Resource Manager (if single user signon enforced) and resets

status globally. If the user has no status, /SIGN OFF deletes the user and associated lterms from Resource Manager.

---

## Examples

### Example 1 for /SIGN Command

Entry ET:  
DFS3649A /SIGN COMMAND REQUIRED FOR IMS  
  
DATE: 11/03/92      TIME: 14:39:33  
  
NODE NAME: DT327001  
  
USERID: IMSUS01  
  
PASSWORD: IMSPW01  
  
USER DESCRIPTOR:  
GROUP NAME:  
NEW PASSWORD:  
  
OUTPUT SECURITY AVAILABLE

Response ET:  
DFS3650I SESSION STATUS FOR IMS  
  
DATE: 11/03/92      TIME: 14:41:48  
NODE NAME:            DT327001  
USERID:                IMSUS01  
PRESET DESTINATION:  
  
CURRENT SESSION STATUS:  
  
OUTPUT SECURITY AVAILABLE

Explanation: The user with user ID IMSUS01 and password IMSPW01 has successfully signed on to a dynamic terminal. The signon is done with the panel (DFS3649A).

### Example 2 for /SIGN Command

Entry ET:  
/SIGN IMSUS02 IMSPW02  
  
Response ET:  
DFS3650I SESSION STATUS FOR IMS  
  
DATE: 11/03/92      TIME: 14:41:48  
NODE NAME:            DT327001  
USERID:                IMSUS02  
PRESET DESTINATION:  
  
CURRENT SESSION STATUS:  
  
OUTPUT SECURITY AVAILABLE

Explanation: The user with user ID IMSUS02 and password IMSPW02 has successfully signed on to a dynamic terminal. The signon is done with the /SIGN command.

### Example 3 for /SIGN Command

Entry ET:

```
/SIGN IMSUS03 IMSPW03
```

Response ET:

```
DFS3650I SESSION STATUS FOR IMS
```

```
DATE: 11/03/92      TIME: 14:45:53
```

```
NODE NAME:          L3270A
```

```
USERID:             IMSUS03
```

```
PRESET DESTINATION:
```

```
CURRENT SESSION STATUS:
```

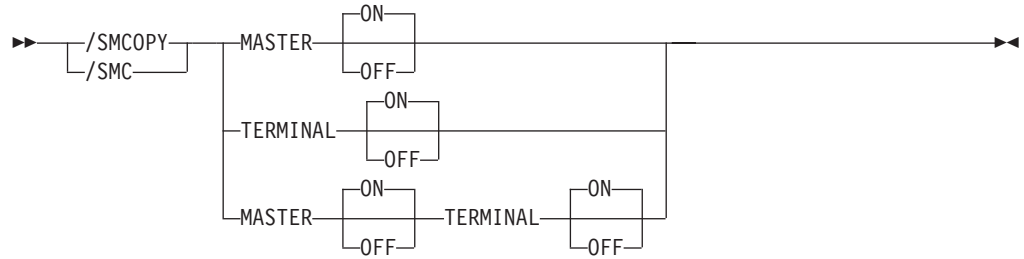
```
NO OUTPUT SECURITY AVAILABLE
```

Explanation: The user with user ID IMSUS03 and password IMSPW03 has successfully signed on to a static terminal.



# Chapter 56. /SMCOPY

## Format



## Environments and Keywords

Table 144 lists the environments (DB/DC, DBCTL, and DCCTL) from which the command and keywords can be issued.

Table 144. Valid Environments for the /SMCOPY Command and Keywords

Command / Keywords	DB/DC	DBCTL	DCCTL
/SMCOPY	X		X
MASTER	X		X
TERMINAL	X		X

## Usage

The /SMCOPY command is used by the master terminal operator to control the printing of certain output to the secondary master terminal.

Table 145 shows the IMS commands that can be printed on the secondary master terminal.

Table 145. Commands that Are Logged to the Secondary Master Terminal

/ACTIVATE	/ALLOCATE
/ASSIGN	/CHECKPOINT
/CLSDST	/COMPT
/DBDUMP	/DBRECOVERY
/DELETE	/DEQUEUE
/DISPLAY	/IDLE
/MODIFY	/MONITOR
/MSASSIGN	/OPNDST
/PSTOP	/PURGE
/QUIESCE	/RCLSDST
/RCOMPT	/RMCHANGE
/RMDELETE	/RMGENJCL
/RMINIT	/RMLIST
/RMNOTIFY	/RSTART
/SECURE	/START
/STOP	/SWITCH
/TRACE	/UNLOCK SYSTEM

System definition establishes whether the commands and their responses will be printed on the secondary master and the origin of the printed command (master terminal, remote terminal, or both). /SMCOPY provides online control of the printing established by system definition.

**MASTER**

Turns ON or OFF the printing of the above subset of IMS commands and command responses when issued from the master terminal.

**TERMINAL**

Turns ON or OFF the printing of the above subset of IMS commands and command responses when issued from terminals other than the master terminal.

Input coming through Operations Manager is not reflected in the secondary master. This also applies to input coming from MCS/E-MCS terminals.

---

**Example for /SMCOPY Command**

A system definition has established that copies of the above subset of commands and command responses, when issued from any terminal, will be printed on the secondary master terminal (operand COPYLOG=ALL was specified on the COMM macro).

Entry ET:

```
/SMCOPY TERMINAL OFF
```

Response ET:

```
DFS058I SMCOPY COMMAND COMPLETED
```

Explanation: The secondary master terminal does not receive copies of IMS commands and command responses issued from remote terminals. Commands and responses issued from the master terminal are still received.

---

## Chapter 57. /SSR

---

### Format

►► /SSR *text* ◀◀

---

### Environments

Table 146 lists the environments (DB/DC, DBCTL, and DCCTL) from which the command can be issued.

Table 146. Valid Environments for the /SSR Command

Command	DB/DC	DBCTL	DCCTL
/SSR	X	X	X

---

### Usage

/SSR is a multisegment command that allows the IMS operator to enter an external subsystem command as part of the command input. (The external system is not a CCTL subsystem.) Routing is the only function IMS performs. The command is processed by the external subsystem and the response (from the external subsystem, not CCTL) is routed back to the entering terminal.

All /SSR formats require an EOM indication to denote end-of-message. An EOS indication must be included for all segments that precede the last segment.

*text* is the alphanumeric external subsystem command.

---

### Example for /SSR Command

Entry ET:

```
/SSR ;START DATABASE (DSN8D22P)
```

Response ET:

```
DFS058I SSR COMMAND COMPLETED
```

```
DSN9022I ; DSNTDDIS 'START DATABASE' NORMAL COMPLETION
```

Explanation: The START DATABASE command is successfully routed to the DB2 subsystem for processing.

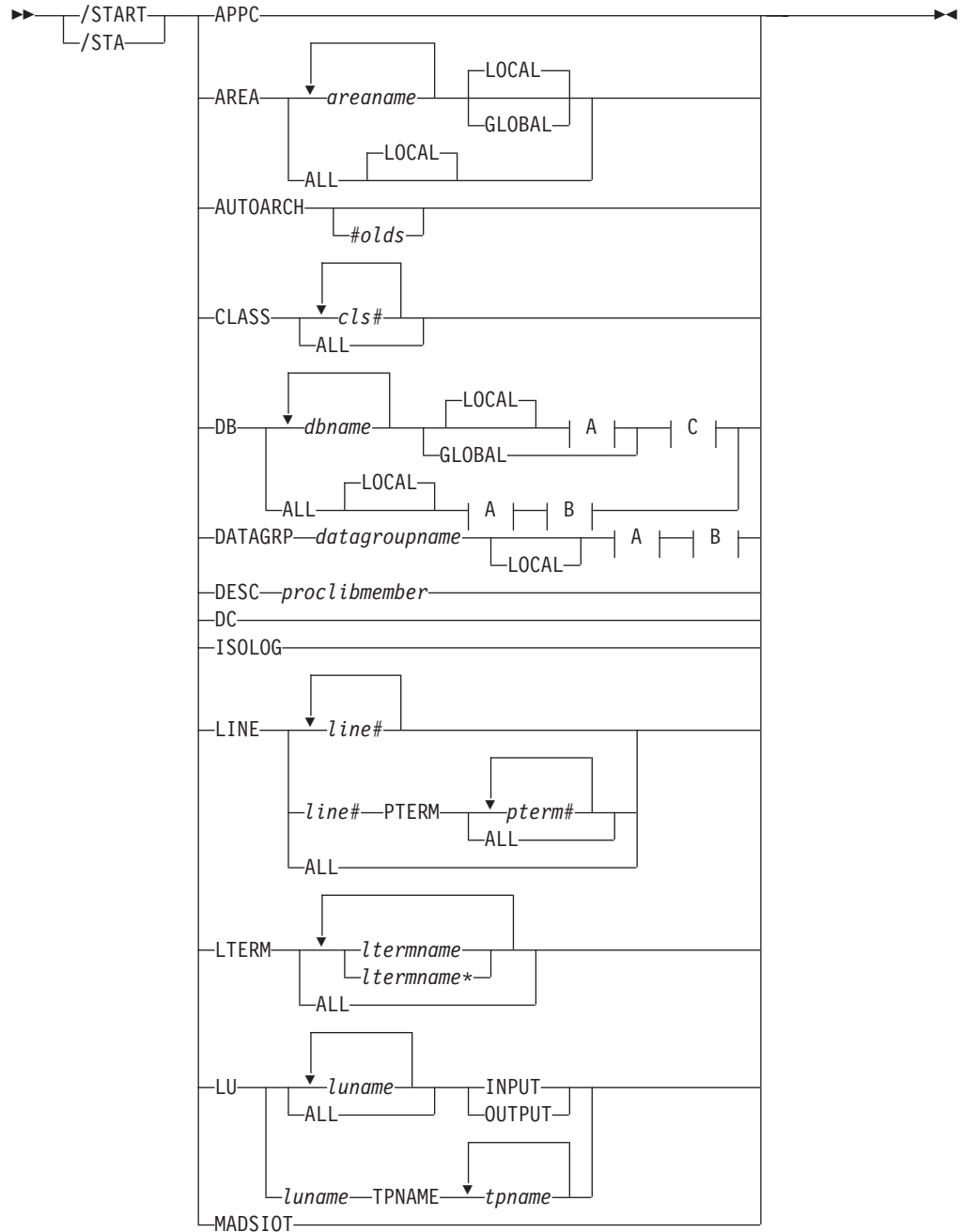




# Chapter 58. /START

## Format

### /START Command: APPC through MADSLOT



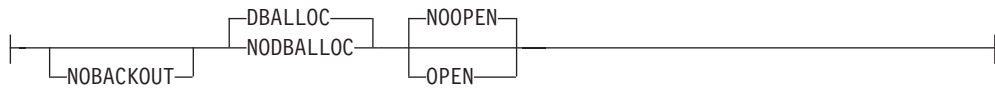
A:



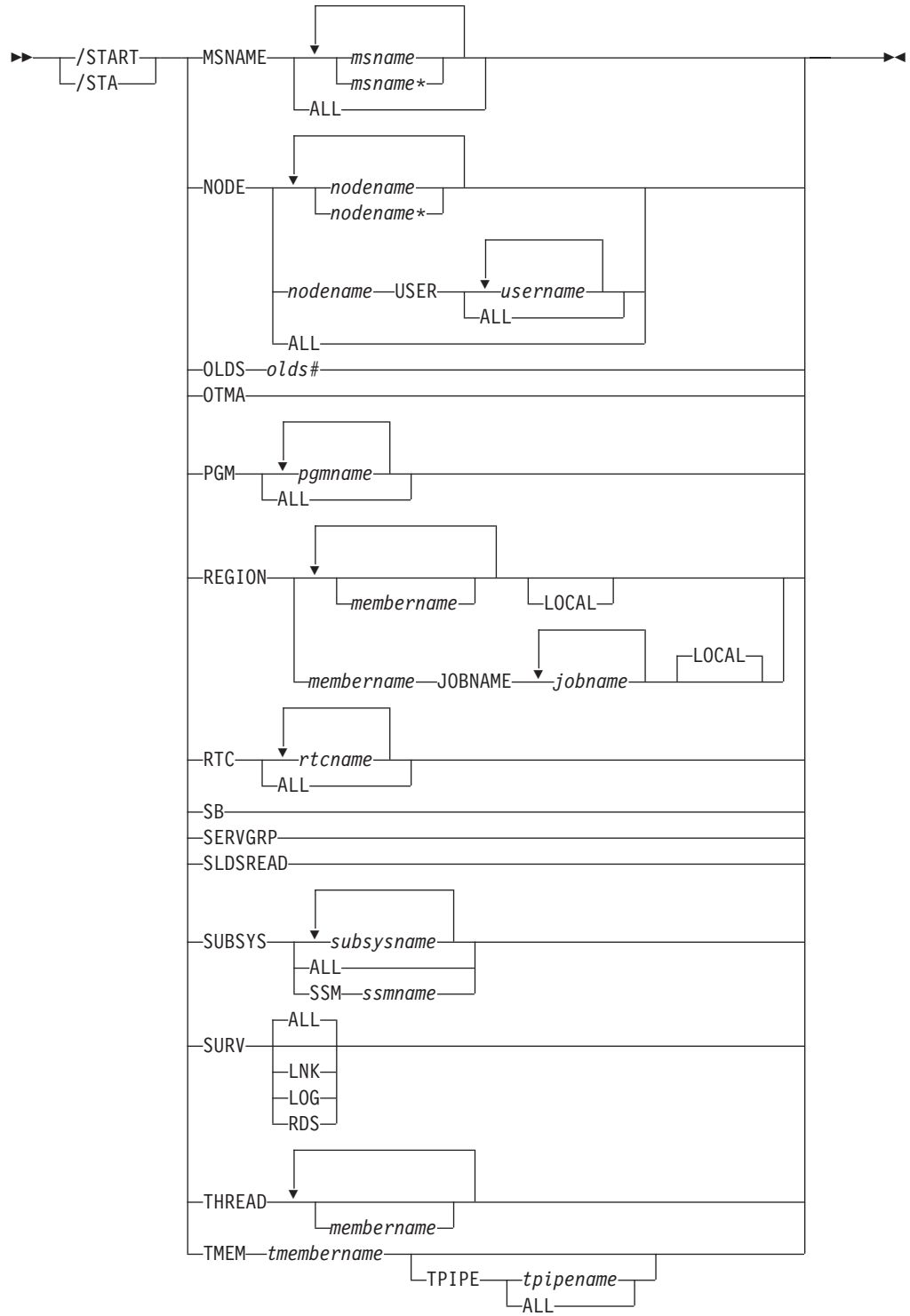
**B:**



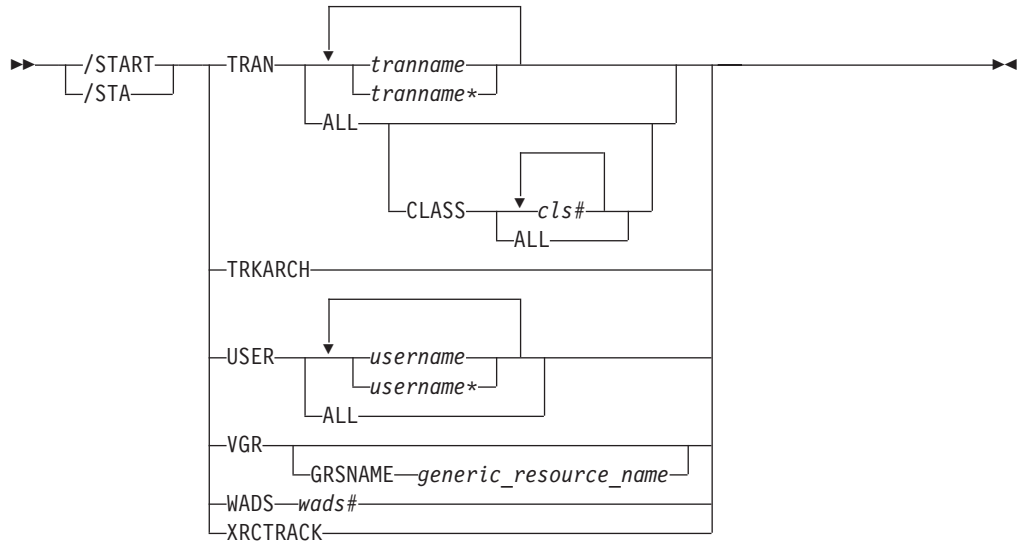
**C:**



**/START Command: MSNAME through TMEM**



**/START Command: TRAN through XRCTrack**



## Environments and Keywords

Table 147 lists the environments (DB/DC, DBCTL, and DCCTL) from which the command and keywords can be issued.

Table 147. Valid Environments for the /START Command and Keywords

Command / Keywords	DB/DC	DBCTL	DCCTL
/START	X	X	X
ACCESS	X	X	
APPC	X		X
AREA	X	X	
AUTOARCH	X	X	X
CLASS	X		X
DB	X	X	
DATAGRP	X	X	
DBALLOC	X	X	
DC	X		X
DESC	X		X
GLOBAL	X	X	
GRSNAME	X		X
INPUT	X		X
ISOLOG	X	X	X
JOBNAME	X	X	X
LINE	X		X
LOCAL	X	X	
LTERM	X		X
LU	X		X
MADSIOT	X	X	
MSNAME	X		X

Table 147. Valid Environments for the /START Command and Keywords (continued)

Command / Keywords	DB/DC	DBCTL	DCCTL
NOBACKOUT	X	X	
NODBALLOC	X	X	
NODE	X		X
NOOPEN	X	X	
OLDS	X	X	X
OPEN	X	X	
OTMA	X		X
OUTPUT	X		X
PGM	X	X	X
PTERM	X		X
REGION	X	X	X
RTC	X		X
SB	X	X	
SERVGRP	X	X	X
SLDSREAD	X	X	X
SSM	X	X	X
SUBSYS	X	X	X
SURV	X		X
THREAD	X	X	
TMEM	X		X
TPIPE	X		X
TPNAME	X		X
TRAN	X		X
TRKARCH	X	X	X
USER	X		X
VGR	X		X
WADS	X	X	X
XRCTrack	X	X	X

---

## Usage

The /START command makes IMS resources available for reference and use.

The /START command can be used on HALDBs. For more information see Appendix H, "High Availability Large Database Commands," on page 867

/START also checks the validity of all parameters entered by the terminal operator. If an error is detected on parameters that are independent of one another, only the invalid parameters are indicated as being in error and the /START command processes the rest of the parameters. For example,

```
/START LINE 4 6 200
DFS058 START COMMAND COMPLETED EXCEPT LINE 200
```

signifies parameter value 200 is not a valid line number.

When a resource becomes available, the system parameters used for this initialization of IMS are displayed in message DFS1929I. The system parameters are also written to the job log.

### APPC

Instructs IMS to activate the connection to APPC/z/OS and to start accepting transaction schedule requests from APPC/z/OS. This command reverses the effect of a /PURGE APPC command or a /STOP APPC(CANCEL) command.

The /START APPC command sets the desired status to ENABLED. The current status is initially set to STARTING. When APPC/z/OS responds to the start request, the status changes to either ENABLED or FAILED.

### AREA

Specifies the specific areas of DEDBs to be allocated. For z/OS, /START AREA can be used to reallocate DEDB areas.

For areas on an RSR tracking subsystem, /START AREA is used to resume tracking for those areas that were stopped by a previous /DBRECOVERY command or by errors found during tracking subsystem processing. /START AREA also starts online forward recovery (OFR) for those areas that are not current with mainline tracking.

For virtual storage option (VSO) areas that have been defined with the PREOPEN option, /START AREA causes the areas to be preopened. If the VSO area is defined with the PRELOAD option, /START AREA causes the area to be opened and loaded into the z/OS data space.

**Restriction:** This command only applies to the IMS subsystem on which it is entered; it does not preload or preopen areas on other IMS subsystems in the sysplex that share the area.

The /START AREA command has no effect on VSO areas that are in virtual storage when the command is issued.

The output of the /START AREA command is changed when the command is entered through the OM API. In this case, the DFS058I message is not returned to OM. For commands that specify GLOBAL, only the command master returns the asynchronous messages to OM. When a command is processed with the LOCAL keyword, all IMSs are able to return the asynchronous messages to OM. The command response returned to OM contains one or more of the following messages as appropriate.

Fast Path messages: DFS0011I, DFS140I, DFS0488I, DFS0666I, DFS1407I, DFS2980E, DFS2981E, DFS3320I, DFS3325I, DFS3342I, DFS3720I, DFS3824I

### GLOBAL

The GLOBAL keyword applies when an IRLM is active. GLOBAL specifies that the command applies to all subsystems sharing the area. The GLOBAL keyword and the ALL parameter are mutually exclusive. The /START command is rejected if both ALL and GLOBAL are specified. The GLOBAL keyword requires that IRLM be active. The command will be rejected if IRLM is not active.

The GLOBAL keyword is not supported on an RSR tracking subsystem.

If the GLOBAL keyword on a command is entered from an OM API, the command is processed only by the command master IMS. The command master IMS will make DBRC calls to update the RECON with GLOBAL status. It will also request IRLM NOTIFY to route and process the command

3  
3  
3  
3

3  
3

on sharing IMS systems, and then process the command locally. All other non-master IMSs ignore the /START command with the GLOBAL keyword.

Messages produced on the NOTIFIED systems will appear only on the system console and will not be routed back to the OM API which originally entered the command.

If multiple IMS systems have been explicitly specified in the route list, the master IMS system will process the command as described above. However, the non-master IMS systems, to which OM routes the command, will reject the command with the following return and reason code listed in Table 148:

Table 148. Return and reason code for GLOBAL keyword issued from the OM API

Return Code	Reason Code	Meaning
X'00000004'	X'00001000'	The command contained the GLOBAL keyword and was routed to more than one IMS system in the IMSPLEX. The non-master IMS systems will reject this command when OM routes the command to them. The master IMS system will process this command and use IRLM NOTIFY to route and process the command on the non-master IMS systems. See the discussion under the GLOBAL keyword.

### LOCAL

Specifies that the command only applies to the IMS subsystem in which the command is entered. This command does not affect any other subsystem sharing the area.

LOCAL is the default.

/START AREA ALL causes message DFS0488 to be issued for every area that is not started successfully, but you do not see a DFS0488 message for every area that does start successfully. You do see a final DFS0488 message which indicates the end of command processing.

### AUTOARCH

Is used to set the value to change the automatic archiving option selected at system initialization or to set the value to start automatic archiving after a previous /STOP AUTOARCH command. #olds is the number of OLDS that are to be filled before the /DBRC GENJCL ARCHIVE command is to be generated. It is optional and defaults to either the value specified at system initialization or to one. If /DBR NOFE0V or /DBD NOFE0V is issued before nn OLDS are filled, the number of OLDS currently filled will be archived.

/START AUTOARCH will not be carried over a warm start if a checkpoint has occurred after the command has been successfully completed, and before a warm start has been issued.

### CLASS

Specifies transaction class, allowing scheduling of application programs to begin. Message regions must have appropriate classes assigned to them before scheduling will proceed.

### DATABASE

Specifies the DBD name. The /START DATABASE command permits access from transactions that read or update databases. /START DATABASE can be used to

allocate or reallocate all databases other than DEDBs. An AREA command must be entered to allocate or deallocate DEDB AREAs.

For a DEDB, the /START DATABASE command also causes any unloaded randomizer, specified in the DBD source, to be reloaded.

When the name that is specified is for a partition, the action taken to allocate data sets varies. The action varies depending on the status of the master database and whether the DMB for the master database is already loaded. If a /DBRECOVERY command has not been issued against the master database, the DMB is already loaded in the following situations:

- The database is defined in SYSGEN as RESIDENT.
- One of the database partitions was previously accessed while this control region is running.

3 PHDAM or PHIDAM partitions that had the /DBRECOVERY command issued  
3 against them, cannot be allocated with the /START DATABASE DBALLOC command.  
3 However, if the partition databases have EEQEs, or the OPEN keyword is used  
3 with the /START DATABASE command, or the databases were previously  
3 authorized but not allocated, the partitions can be allocated. If you do not use  
3 the OPEN keyword, the PSINDEX partition is allocated and the PHDAM and  
3 PHIDAM partitions are not allocated until they are authorized.

When a /START DATABASE command is issued for all transactions whose processing program has access to a successfully started database, the USTOPPED attribute will be reset and any messages on the suspend queue for that transaction will be transferred to the normal queue.

If one or more of the named databases requires backout or recovery, and the database is registered in DBRC, the database requiring backout or recovery is dropped from the command and the remainder of the databases continue processing. If the database is not registered in DBRC, specify the NOBACKOUT keyword to inform IMS that it does not have to attempt to execute the failed backout again.

To start a HIDAM database, both the index and the data area DBD names must be specified. If a backout failure occurred for this database, the /START command causes the backout to be attempted again.

If the database specified in the command is being used by a batch message processing region, an error message is returned to the master terminal, and the command is ignored for the database named in the message. Processing continues for the other databases specified in the command. The master terminal operator must wait until the batch message processing concludes before reentering the command.

For databases on an RSR tracking subsystem, /START DATABASE is used to resume tracking for those databases that were stopped by a tracking subsystem processing. /START DATABASE also starts online forward recovery (OFR) for those databases that are not current with mainline tracking.

/START DATABASE ALL causes message DFS0488I to be issued. All databases that were defined at sysgen will be started if possible.

The output of the /START DATABASE command is changed when the command is entered through the OM API. In this case, the DFS058I message is not returned



to OM. The command response returned to OM contains one or more of the following messages as appropriate to the database type and the command completion.

Full Function Database messages: DFS030I, DFS132, DFS160, DFS216, DFS0402I, DFS0488I, DFS0740I, DFS1407, DFS2026, DFS3317I, DFS3318I, DFS3320I, DFS3325I, DFS3465I, DFS3466I

Fast Path Database messages: DFS140I, DFS666, DFS3062

For the results of issuing this command on a shared secondary index, see Appendix D, "Shared Secondary Index Database Commands," on page 849

## ACCESS

Specifies the type of access intended for the named database. This keyword overrides the database access specified at system definition. Changing the ACCESS parameter of a DEDB is allowed only when all the AREAS in the DEDB are not authorized by the subsystem.

Changing the access intent of a database with the /START DB ACCESS= command causes any VSO areas of the database to be removed from virtual storage. Because the access intent of a DEDB cannot be changed while any of its areas are authorized to an IMS subsystem, IMS closes any open areas before processing the command. If a VSO area is closed as a result of the command, it is also removed from the data space.

The /START AREA command must be used to reactivate the VSO options (VSO and PREOPEN) and PRELOAD option for the area. If an area is opened as a result of an access request rather than by the /START AREA command, it is opened as a non-VSO area.

Non-VSO areas with the PREOPEN option are closed as a result of the /START DB ACCESS= command. These areas are reopened either at the next access request for the area or by the /START AREA command.

The GLOBAL and ACCESS keywords are mutually exclusive. The /START command is rejected if both keywords are specified.

The meanings of the ACCESS parameter values are:

- RO** specifies that the named database is available for read-only processing on this IMS subsystem. The only programs that can use the database on this subsystem are those that have a PCB processing option of GO (PROCOPT=GO). Programs that access the data using the GO processing option might see uncommitted data, since a sharing IMS subsystem could be updating the database, which is opened for input only.
- RD** specifies that the named database is available for read-only processing in this IMS subsystem. Programs with update intent can be scheduled, but cannot update the database. ACCESS of RD differs from ACCESS of RO in that the data is read with integrity (locking is performed) and all programs can access the data, not just those with a processing option of GO. The database is opened for read only.
- UP** specifies that the named database is for update as well as read processing in the IMS subsystem.

**EX** specifies that the named database is to be used exclusively by this IMS subsystem. This exclusive access is guaranteed only when the database is registered to DBRC.

### **DBALLOC**

Indicates that the databases within the data group are to be allocated. DBALLOC is the default except for /START DATABASE ALL commands.

### **NODBALLOC**

Indicates that the databases within the data group are not to be allocated. This is the default for /START DATAGROUP. The databases will be allocated when they are scheduled. NODBALLOC is the default for /START DATABASE ALL commands.

### **GLOBAL**

Specifies that the command applies to all subsystems sharing the database. GLOBAL requires that IRLM be active. The command will be rejected if IRLM is not active. The GLOBAL keyword and the ALL parameter are mutually exclusive. The /START command is rejected if both ALL and GLOBAL are specified.

The GLOBAL keyword is not supported on an RSR tracking subsystem.

If the GLOBAL keyword on a command is entered from an OM API, the command should only be routed to one IMS system in the IMSplex. The IMS that receives the command from OM will make DBRC calls to update the RECON with GLOBAL status. It will also request IRLM NOTIFY to route and process the command on sharing IMS systems, and then process the command locally.

Messages produced on the NOTIFIED systems will appear only on the system console and will not be routed back to the OM API which originally entered the command.

If multiple IMS systems have been explicitly specified in the route list, the master IMS system will process the command as described above. However, the non-master IMS systems, to which OM routes the command, will reject the command with the following return and reason code listed in Table 149:

*Table 149. Return and reason code for GLOBAL keyword issued from the OM API*

<b>Return Code</b>	<b>Reason Code</b>	<b>Meaning</b>
00000004	00001000	The command contained the GLOBAL keyword and was routed to more than one IMS system in the IMSPLEX. The non-master IMS systems will reject this command when OM routes the command to them. The master IMS system will process this command and use IRLM NOTIFY to route and process the command on the non-master IMS systems. See the discussion under the GLOBAL keyword.

### **LOCAL**

Specifies that the command only applies to the IMS subsystem in which the command is entered. This command does not affect any other subsystem sharing the database.

LOCAL is the default.

**NOBACKOUT**

Suppresses backout restart for a database not registered in DBRC. If there was a prior dynamic backout or emergency restart backout failure, then a /START, command will attempt to perform the backout again. However, if the log data required to perform the backout has been archived, the backout must be performed by executing the batch backout utility.

If the database is registered in DBRC and is using share control, then DBRC is informed when batch backout is successfully executed, and the failing backout will not be attempted again when the /START command is issued.

If the database is registered in DBRC and is using recovery control, DBRC is not informed when batch backout is successfully executed. You must specify the NOBACKOUT keyword to inform IMS that it does not have to attempt to execute the failed backout again.

NOBACKOUT is not valid with the ALL parameter.

**OPEN | NOOPEN**

Indicates that the named databases should be opened or should not be opened as part of the /START DB processing. NOOPEN is the default except when the database has EEQEs or the database was previously authorized but not allocated. If the database has EEQEs or was previously authorized but not allocated, then the database will be opened until the NOOPEN keyword is specified. Operators need to be aware of the results of issuing this command. Check the return code in message DFS0488I.

**Restrictions:** The OPEN parameter is not supported:

- On a HALDB master
- In an RSR environment
- On an XRF alternate
- With keywords DATAGROUP, ALL, GLOBAL, or NOALLOC.

**DATAGROUP**

Specifies groups of DL/I databases and Fast Path DEDBs to be allocated. *Data groups* are logical groupings of databases and areas; they allow simplified command processing for databases. You define a data group in the RECON data set using the INIT.DBDSGRP command with parameters GRPNAME and DBGRP. DATAGROUP is valid on active and RSR tracking subsystems.

**Related Reading:** See “Group Parameters” on page 20 for more information on defining data groups.

For databases and areas on an RSR tracking subsystem, /START DATAGROUP is used to resume tracking for those areas that were stopped by a previous /DBRECOVERY command or by errors found during tracking subsystem processing. /START DATAGROUP also starts online forward recovery (OFR) for those databases and areas that are not current with mainline tracking.

After processing for a /START DATAGROUP completes, a DFS0488 message is issued indicating the end of processing. A DFS0488 message is also issued for every database or area that does not start successfully.

If the datagroup contains both full function and Fast Path databases, a DFS0488 message might be issued indicating the /START DATAGROUP command completed successfully before any messages are issued that indicate a Fast Path area did not start successfully. This situation is due to the asynchronous processing of Fast Path databases.

For virtual storage option (VSO) areas that have been defined with the PREOPEN option, /START AREA causes the areas to be preopened. If the VSO area is defined with the PRELOAD option, /START AREA causes the area to be opened and loaded into the z/OS data space.

**Recommendation:** Although you can use DBDS groups as well as database groups for this command, you should use database groups whenever possible to eliminate the overhead of converting the DBDS group to a database group.

### ACCESS

Overrides the access intent for a database. The original database access is specified during IMS system definition.

Changing the access intent for a DEDB is allowed only when no PSBs are scheduled that access any areas in the DEDB. You might have to stop PSBs and regions that have wait-for-input (WFI) transactions scheduled before you can change a DEDB's access intent.

Changing the access intent of a database with the /START DB ACCESS= command causes any VSO areas of the database to be removed from virtual storage. Because the access intent of a DEDB cannot be changed while any of its areas are authorized to an IMS subsystem, IMS closes any open areas before processing the command. If a VSO area is closed as a result of the command, it is also removed from the data space.

The /START AREA command must be used to reactivate the VSO options (VSO and PREOPEN) and PRELOAD option for the area. If an area is opened as a result of an access request rather than by the /START AREA command, it is opened as a non-VSO area.

Non-VSO areas with the PREOPEN option are closed as a result of the /START DB ACCESS= command. These areas are reopened either at the next access request for the area or by the /START AREA command.

The GLOBAL and ACCESS keywords are mutually exclusive. The /START command is rejected if both keywords are specified.

The meanings of the ACCESS parameter values are:

- RO** specifies that the named database is available for read-only processing on this IMS subsystem.  
  
The only programs which can use the database on this subsystem are those which have a PCB processing option of GO (PROCOPT=GO). Programs which access the data using the GO processing option might see uncommitted data, since a sharing IMS subsystem could be updating the database, which is opened for input only.
- RD** specifies that the named database is available for read-only processing on this IMS subsystem.  
  
Programs with update intent can be scheduled, but cannot update the database. ACCESS=RD differs from ACCESS=RO in that the data is read with integrity (locking is performed) and all programs can access the data, not just those with a processing option of GO. The database is opened for read only.
- UP** specifies that the named database is for update as well as read processing in the IMS subsystem.
- EX** specifies that the named database is to be used exclusively by this IMS subsystem.

This exclusive access is guaranteed only when the database is registered to DBRC.

### **DBALLOC**

Indicates that the databases within the data group are to be allocated. NODBALLOC is the default for a /START DATAGROUP command.

### **LOCAL**

Specifies that the /START command only applies to the IMS subsystem in which the command is entered.

### **NODBALLOC**

Indicates that the databases within the data group are not to be allocated. This is the default for START DATAGROUP. The databases will be allocated when they are scheduled. This command does not affect any other subsystem sharing the database.

LOCAL is the default.

### **DC**

- 2 Opens the VTAM ACBs (if MNPS for XRF is used, then both the MNPS and  
2 APPLID ACBs are opened) if they are not already open, enables logons to IMS,  
2 and enables the following optional transaction manager functions:
- 2 • IMS generic resource support. The defined VTAM generic resource group is  
2 joined with GRSNAME in the IMS or DCC PROCLIB members.
  - 2 • IMS persistent sessions support for RNR. Session activity that was  
2 suspended due to a major outage is resumed or terminated, as appropriate,  
2 if the RNR option was specified in the DFSDCxxx PROCLIB member.

- 2 If the /START DC command is issued on an XRF alternate system that is using  
2 MNPS, the command will only open the APPLID ACB. The MNPS ACB is not  
2 opened until XRF takeover processing.

### **DESCRIPTOR**

Defines the LU62 descriptors from DFS62xxx PROCLIB member to IMS. The full PROCLIB member name needs to be specified. The PROCLIB member must start with DFS62.

### **ISOLOG**

Indicates that the RSR tracking subsystem is to initiate a request for isolated log data from the isolated log sender at the active site. /START ISOLOG can only be entered on an RSR tracking subsystem. /START ISOLOG may be needed when:

- The active system failed and was not restarted, and the OLDS at the time of failure was closed using the log recovery utility.
- Batch jobs or utilities running at the active were unable to send logs.
- Permanent error status is shown for gaps in the output of a /DISPLAY TRACKING STATUS command. If the log problem at the active has been corrected, use /START ISOLOG to initiate retry.

Successful completion of syntax checking of the /START ISOLOG command results in the DFS058 START COMMAND COMPLETED message, although processing of the command continues asynchronously.

### **LINE**

Makes communication lines that are idle and in a stopped or process stopped state available for use. It also terminates any conversations that are active on the line. All terminals are removed from looptest mode, MFSTEST mode, or

exclusive mode, and any terminals in signon status are reset. The /START LINE command without the PTERM keyword enables the line again (resulting in a BTAM LOPEN macro).

If the line must be enabled again, /START LINE must be entered prior to any /START LINE PTERM command.

The /START LINE PTERM command makes one or more physical terminals available for use. The physical terminals are removed from response mode, test mode, looptest mode, MFSTEST mode, preset destination mode, or exclusive mode, and resets terminals in signon status. If IMS encounters a stopped and idle line when processing /START LINE PTERM, it restarts the line. Any inoperable components are marked as operable.

To activate I/O operations for a LINE, LINE PTERM, or NODE without altering the status of the associated/specified terminals, use /RSTART instead of /START.

If an error is detected on parameters that are independent of one another, only the invalid parameters are indicated as being in error and processing continues for the rest of the parameters. This happens for /START LINE if:

- The specified line is already started or is not idle.
- Any terminals on the line had conversations that could not be canceled (because an application program is scheduled).
- The specified line could not be started because of IMS internal processing.
- The DD statement is missing from the IMS execution JCL.

/START LINE no longer resets preset mode, test mode, and response mode since these statuses are no longer significant and therefore are not kept after a /START LINE or restart command.

## **LTERM**

Specifies the logical terminals to be started and resets the QLOCK state (QLOCK indicates that the LTERM is locked from sending any further output or from receiving input that can create additional output for the same LTERM until the state is reset by a specific request received on the session.) /START LTERM is rejected for remote logical terminals.

The LTERM keyword is only effective for existing LTERMs.

The LTERM parameter can be generic where the generic parameter specifies LTERMs that already exist.

If global resource information is kept in Resource Manager, the /START LTERM command allows messages to be queued to the LTERM from anywhere in the IMSplex and the change is reflected both in Resource Manager and in the local IMS system.

## **LUNAME TPNAME**

Specifies the LU name that is to be started.

Specifying the keyword INPUT starts an luname for any input and synchronous outbound activities. Specifying the parameter ALL with the keyword INPUT causes all future LU 6.2 inbound and synchronous output activities to be started as well.

Specifying the keyword OUTPUT starts an luname for asynchronous outbound activities. Specifying the parameter ALL with the keyword OUTPUT causes all future LU 6.2 outbound asynchronous activities to be started as well.

Specifying neither INPUT nor OUTPUT is the same as specifying both INPUT and OUTPUT. The LU name is started for any input and both synchronous and



asynchronous outbound activities. Specifying the parameter ALL in this case also causes the start of all future LU 6.2 inbound activities, outbound synchronous, and asynchronous activities.

A network-qualified LU name is optional for the LUNAME keyword. If the LU name is not network-qualified and no TP name is specified, all the network-qualified LU names whose LU name matches the LU name specified are also started.

/START LUNAME TPNAME starts a particular tpname of an luname. The keyword OUTPUT is the default for this command.

If the specified resource does not exist, a structure is created to retain the status.

### **MADSIOT**

Specifies the MADS I/O timing function. The /START MADSIOT command is valid only after the long busy handling function is disabled for a link failure, a structure failure, or a rebuild failure. When the /START MADSIOT command completes normally, one of the two following messages is returned to the operator's console:

- DFS1728E START MADSIOT COMMAND FAILED RSN=rrr
- DFS1727I MADSIOT TIMING FUNCTION RESUMED SUCCESSFULLY

The purpose of this command is to enable MADS I/O Timing function. If MADS I/O Timing list structure is not defined in DFSVSMxx, the command will be rejected. If MADS I/O Timing function is already enabled, the command will be ignored. If MADS I/O Timing function is not enabled and all sharing partners successfully connect to MADS I/O Timing list structure on the coupling facility, the command will complete successfully; if any sharing partners fails to connect to MASD I/O Timing list structure, the command will fail.

The output of the /STA MADSIOT command is changed when the command is entered through the OM API. In this case, the DFS058I message is not returned to OM. The command response returned to OM contains one or more of the following messages as appropriate.

Fast Path messages: DFS0023I, DFS0007I, DFS1270I, DFS1727I, DFS1552A, DFS1728E

### **MSNAME**

Specifies the logical link path that is to be started. The MSNAME keyword can be generic.

### **NODE**

Allows IMS to accept logons from VTAM-attached terminals. It only operates if the node is disconnected, idle, and stopped. Any terminals in MFSTEST mode, exclusive mode, or signon status are reset. The user is not signed off and the conversations are terminated. /START NODE is valid for temporary nodes, even though the node is not logged on.

The /START NODE command is only effective for existing nodes.

If an ETO logon terminal is stopped, use the /OPNDST NODE USER command to start it, not the /START NODE command.

If Fast Path is active for a specified physical terminal or node, /START LINE and /START NODE cannot reset terminal response mode. The /DEQUEUE command must be entered to discard Fast Path output before using /START.

The /START NODE nodename USER username command applies to ISC sessions only, and it is used to start a half-session allocated to USER username for NODE nodename. The USER keyword when used with the NODE keyword affects the specified half-session. When the USER keyword is omitted, all half-sessions of the specified node are affected.

The NODE parameter can be generic if the USER keyword is not present. The generic parameter specifies nodes that already exist.

/START NODE no longer resets response mode, test mode, and preset mode, since these statuses are no longer significant and therefore no longer carried across logon or restart. MFSTEST mode (at the node level) and exclusive mode are still reset.

If global resource information is kept in Resource Manager, the /START NODE command allows a node to logon to any IMS in the IMSplex and resets MFSTEST mode and exclusive mode. If the node no longer has significant status, it is deleted from Resource Manager.

### **OLDS**

Indicates that either a previously stopped OLDS is to be started or that IMS is to add a new OLDS log data set. If a new OLDS is being added, olds# is an OLDS identifier that is defined by the DFSMDA macro specification. If in dual mode, both primary and secondary OLDSs are started. olds# must be 00-99.

When using /START OLDS, an OLDS must be defined in the DFSMDA macro, even if it is allocated in JCL.

### **OTMA**

Causes IMS to join the XCF group for the IMS Open Transaction Manager Access (OTMA).

/START OTMA command processing is as follows:

1. IMS joins the XCF group.
2. Following a successful Client-Bid, IMS sends an ACK message to the OTMA client.
3. IMS begins sending all Commit-then-Send (commit mode 0) output messages to the OTMA client.

### **PROGRAM**

Specifies the application program that is to be started. This command also clears the indicator preventing a program from scheduling when I/O prevention has not completed. The integrity of a GSAM database residing on DASD can be affected if I/O prevention has not been done on a failing active system.

/START PROGRAM does not start a CPI Communications driven transaction program.

### **REGION**

Specifies the set of message processing region JCL to be passed to z/OS. If no member name is specified, the default member name is used.

IMS dependent regions of the same type (MPP, BMP, or IFP) can share a PROCLIB member containing the startup JCL for the type of region. Use the JOBNAM or LOCAL keywords of the /START REGION command to allow IMS to set (or override) the IMS ID for the dependent region to match the IMS ID of the IMS that processes the command.

**Restriction:** The JCL for the region to be started must include the IMSID= execution parameter.



Use the **JOBNAME** keyword to override the job name on the **JOB** statement of the default or specified JCL member for a dependent region.

If you specify the **LOCAL** keyword, IMS overrides the symbolic **IMSID** parameter in the JCL of the default or specified member. **LOCAL** is the default if you specify the **JOBNAME** keyword.

When the **LOCAL** or **JOBNAME** keywords are specified on the **/START REGION** command, the **PROCLIB** member must be a job that runs a procedure to start the dependent region. The procedure cannot be an instream procedure. For example, suppose that the **/START REGION** command is entered in one of the following formats:

```
/START REGION member_name LOCAL
/START REGION member_name JOBNAME job_name
/START REGION member_name JOBNAME job_name LOCAL
```

In these instances, *member\_name* is a job that runs a procedure to start the dependent region and has the following format:

```
//job_name JOB ... (parameters)...
//      EXEC proc_name,
//      IMSID=xxxx
```

The operator can start more dependent regions than were specified in the IMS system definition or the **EXEC** parameter, up to 999. A request to start more regions than the system-definition value (but less than or equal to 999) might be rejected if resources are not available.

The **/START REGION** command is not mirrored on the XRF alternate subsystem. You must enter this command on the alternate subsystem if you want it to affect the alternate subsystem.

### **RTCODE**

Specifies the Fast Path routing codes to be activated and allows transactions associated with the routing codes to be processed.

### **SB**

Dynamically allows sequential buffering. This command does not affect sequential buffering applications scheduled before this command was issued.

### **SERVGRP**

Starts communications between the entering service group and the service group at the other site in an RSR complex. If the subsystem is not currently identified to the transport manager, an attempt to identify precedes an attempt to connect to the other subsystem. **/START SERVGRP** is supported on an active IMS subsystem and an RSR tracking subsystem.

The **/START SERVGRP** command is not normally needed for an active subsystem, since the logger normally attempts to identify to transport manager at each OLDS switch to establish connections with the other subsystem. However, the operator may want to trigger this process between OLDS switches; for instance if a network outage between the active and tracking sites has been repaired and the operator does not want to wait until the next OLDS switch to re-establish communications.

Successful completion of the syntax checking of the **/START SERVGRP** command results in the DFS058 **START COMMAND COMPLETED** message, although processing of the command continues asynchronously.

**SLDSREAD**

Indicates whether IMS is enabled to retrieve records from both a system log data set (SLDS) and OLDS or OLDS only. The default is that SLDSREAD is enabled.

**SSM**

Allows external subsystem connection processing to occur even though the option was not requested when IMS was started.

The syntax and usage of the SSM keyword are the same as the SSM=EXEC parameter that can be specified on the IMS startup JCL. The SSM keyword is followed by a 1 to 4 character identifier. IMS concatenates the SSM identifier to the IMSID to create an SSM PROCLIB member name. The SSM Proclib member is then used for external subsystem processing.

The SSM keyword is not valid if either of the following conditions apply:

- The SSM= keyword is specified in the EXEC parameters of the startup JCL.
- The /START SUBSYS SSM command has been previously issued.

**SUBSYS**

Specifies the external subsystem to which IMS is to connect. This command can also be used to dynamically reconfigure existing subsystem definitions. The installation can start IMS with the subsystem PROCLIB member defining one subsystem. The PROCLIB member can then be changed or added to. The operator can then /STOP the existing subsystem connections or only the one that has changed. By issuing the /START SUBSYS command, IMS will pick up the new or changed definitions and attempt to connect to those subsystems.

The /START SUBSYS ALL command connects IMS to all external subsystems. Also, the SSM keyword can be used with the /START SUBSYS command.

If the subsystem connection was abnormally terminated, IMS puts the connection in a stopped state. In this instance, the /START command must be used to reestablish the connection.

**SURVEILLANCE**

Is used in an XRF environment to start the operation of the IMS surveillance function. When surveillance is on for a function, potential failures of the active system are detected. Based on information from surveillance, the alternate system either requests a takeover or informs the operator of the potential failure. The following are the surveillance functions to be started:

<b>LNK</b>	ISC link
<b>RDS</b>	Restart data set
<b>LOG</b>	System log
<b>ALL</b>	Same as specifying LNK, RDS, and LOG

The surveillance function is generally started during IMS system definition by using the /START SURVEILLANCE control statement. ALL is the default.

**THREAD**

Specifies the set of message processing region JCL to be passed to z/OS. If no member name is specified, the default member name is used.

The /START THREAD command is used only for DEDB utility regions. BMP regions are started by JCL. CCTL threads are started automatically at connection: first to the MINTHREAD value, and later (on demand) to MAXTHREAD value.

**TMEMBER**

Causes IMS to send an Open Transaction Manager Access (OTMA) command to OTMA clients to request that input resume for the specified transaction pipe name. IMS then resumes sending output to the OTMA client.

**TPIPE**

When it is used with the /START command, TPIPE causes IMS to resume sending output to OTMA clients.

**Restriction:** If a transaction pipe has a resynchronization pending status, IMS does not start the transaction pipe.

**TRANSACTION**

Specifies the transactions to be started.

The /START TRANSACTION ALL CLASS c1s# command causes all transactions associated with the specified class to be started.

If a transaction that has messages on the suspend queue is started, the suspend queue associated with the transaction will automatically be transferred to the normal queue.

The TRANSACTION keyword can be generic where the generic parameter specifies transactions that already exist.

**TRKAUTOARCH**

Indicates that the RSR tracking subsystem is to initiate a request to start the automatic archiving of the tracking log data sets. This keyword allows the user to start automatic archive after it has been terminated following archive data set full conditions.

Successful completion of the syntax checking of the /START TRKAUTOARCH command results in the DFS058I START COMMAND COMPLETED message, although processing of the command continues asynchronously.

**USER**

Without the NODE keyword, USER specifies the ISC user or the dynamic user to start. The USER parameter can be generic where the generic parameter specifies users that already exist.

/START USER applies only to users that are stopped and signed off. The /START USER command also terminates any active conversations before starting the user.

/START USER removes the user from MFSTEST mode and exclusive mode. If the USER structure is temporary and the status conditions that caused the creation of the structure have been reset, the temporary user is deleted at the next simple checkpoint.

For ISC users, the user is started and made available for allocation.

For dynamic users, the user is started and made available for signon.

/START USER no longer removes the user from response mode, test mode, and preset mode. MFSTEST mode can now be associated with the node and with the user. MFSTEST mode (at the user level) and exclusive mode are still reset. The other statuses are no longer significant and therefore not carried across signon or restart.

If global resource information is not kept in Resource Manager, the /START USER command allows a user to signon to the local IMS. If global resource information is kept in Resource Manager, the /START USER command allows a user to signon to any IMS in the IMSplex.

**VGRS**

Causes the IMS subsystem to join a VTAM generic resource group. The command is rejected if the VTAM ACB is closed (usually the result of a /STOP DC command).

The GRSNAME keyword allows you to specify the generic resource name if the IMS subsystem does not have one. The IMS subsystem already has a generic resource name if it has the GRSNAME= keyword specified on its EXEC statement.

**WADS**

Indicates that either a previously stopped WADS is to be started or that IMS is to add a new WADS to the pool of available WADSs. If a new WADS is being added, wads# is a WADS identifier that is defined by the DFSMDA macro specification. wads# must be 0-9.

When using /START WADS, a WADS must be defined in the DFSMDA macro, even if it is allocated in JCL.

**XRCTRCK**

Results in calls to the log router to initiate or terminate XRC tracking. It is only valid on a tracking IMS system.

---

## Examples

### Example 1 for /START Command

Entry ET:

```
/START AREA DB1AREA0 DB1AREA1
```

Response ET:

```
DFS058I START COMMAND IN PROGRESS
DFS0488I START COMMAND COMPLETED. AREA=DB1AREA0
DFS0488I START COMMAND COMPLETED. AREA=DB1AREA1
```

Explanation: DEDB areas DB1AREA0 and DB1AREA1 are started.

### Example 2 for /START Command

Entry ET:

```
/START AUTOARCH 4
```

Response ET:

```
DFS058I START COMMAND COMPLETED
```

Explanation: Automatic archiving will be initiated after 4 OLDS data sets are filled.

### Example 3 for /START Command

TSO SPOC input:

```
STA DB BANKATMS BANKTERM BANKLDGR BE3ORDER
```

TSO SPOC output:

```
SYS3 DFS0488I STA COMMAND COMPLETED. DBN= BANKATMS RC=04
SYS3 DFS0488I STA COMMAND COMPLETED. DBN= BANKTERM RC=04
SYS3 DFS0488I STA COMMAND COMPLETED. DBN= BANKLDGR RC=04
SYS3 DFS0488I STA COMMAND COMPLETED. DBN= BE3ORDER RC=08
IMS3 DFS0488I STA COMMAND COMPLETED. DBN= BANKATMS RC=04
```

```

IMS3      DFS0488I  STA COMMAND COMPLETED. DBN= BANKTERM RC=04
IMS3      DFS0488I  STA COMMAND COMPLETED. DBN= BANKLDGR RC=04
IMS3      DFS0488I  STA COMMAND COMPLETED. DBN= BE3ORDER RC=08

```

## OM API input:

```
CMD (STA DB BANKATMS BANKTERM BANKLDGR BE3ORDER )
```

## OM API output:

```

<?xml version="1.0"?>
<!DOCTYPE imsout SYSTEM "imsout.dtd">
<imsout>
<ctl>
<omname>OM10M </omname>
<omvsn>1.1.0</omvsn>
<xmlvsn>1 </xmlvsn>
<statime>2002.197 21:59:29.210362</statime>
<stotime>2002.197 21:59:30.213238</stotime>
<staseq>B7EFC01B367FAE02</staseq>
<stoseq>B7EFC01C2B576D8F</stoseq>
<rqsttkn1>USRT005 10145929</rqsttkn1>
<rc>0200000C</rc>
<rsn>00003008</rsn>
</ctl>
<cmderr>
<mbr name="SYS3 ">
<typ>IMS </typ>
<styp>DBDC </styp>
<rc>00000014</rc>
<rsn>00005050</rsn>
</mbr>
<mbr name="IMS3 ">
<typ>IMS </typ>
<styp>DBDC </styp>
<rc>00000014</rc>
<rsn>00005050</rsn>
</mbr>
</cmderr>
<cmd>
<master>SYS3 </master>
<userid>USRT005 </userid>
<verb>STA </verb>
<kwd>DB </kwd>
<input>/STA DB BANKATMS BANKTERM BANKLDGR BE3ORDER </input>
</cmd>
<msgdata>
<mbr name="SYS3 ">
<msg>DFS0488I STA COMMAND COMPLETED. DBN= BANKATMS RC=04</msg>
<msg>DFS0488I STA COMMAND COMPLETED. DBN= BANKTERM RC=04</msg>
<msg>DFS0488I STA COMMAND COMPLETED. DBN= BANKLDGR RC=04</msg>
<msg>DFS0488I STA COMMAND COMPLETED. DBN= BE3ORDER RC=08</msg>
</mbr>
<mbr name="IMS3 ">
<msg>DFS0488I STA COMMAND COMPLETED. DBN= BANKATMS RC=04</msg>
<msg>DFS0488I STA COMMAND COMPLETED. DBN= BANKTERM RC=04</msg>
<msg>DFS0488I STA COMMAND COMPLETED. DBN= BANKLDGR RC=04</msg>
<msg>DFS0488I STA COMMAND COMPLETED. DBN= BE3ORDER RC=08</msg>
</mbr>
</msgdata>
</imsout>

```

Explanation: The START DB command is routed from OM to the two active IMSs - SYS3 and IMS3. The response from both IMSs is returned to OM. The databases BANKATMS, BANKTERM, BANKLDGR, and BE3ORDER are started at both IMSs.

### Example 4 for /START Command

Entry ET:

```
/START CLASS ALL
```

Response ET:

```
DFS058I START COMMAND COMPLETED
```

Explanation: All classes of transactions are made available for scheduling into message processing regions.

### Example 5 for /START Command

Entry ET:

```
/START DATABASE TREEFARM
```

Response ET:

```
DFS058I (time stamp) START COMMAND IN PROGRESS  
DFS0488I START COMMAND COMPLETED. DBN=TREEFARM RC=0.
```

Explanation: Database TREEFARM is started.

### Example 6 for /START Command

Entry ET:

```
/START LINE 4 PTERM 1, 2
```

Response ET:

```
DFS058I START COMMAND COMPLETED
```

Response RT:

```
DFS059I TERMINAL STARTED
```

Explanation: Physical terminals 1 and 2 on line 4 are started.

### Example 7 for /START Command

Entry ET:

```
/START LINE 4,5,6,7,8,9,10,11
```

Response ET:

```
DFS058I START COMMAND COMPLETED
```

Response RT:

```
DFS059I TERMINAL STARTED
```

Explanation: Lines 4,5,6,7,8,9,10, and 11 are started.

### Example 8 for /START Command

Entry ET:

```
/START LINE 4 5 6 700
```

Response ET:

```
DFS058I START COMMAND COMPLETED EXCEPT LINE 5 700
```

Response RT:

```
DFS059I  TERMINAL STARTED
```

Explanation: Lines 4 and 6 are started. The /DISPLAY LINE command can be used to determine why line 5 did not start successfully. (700 is an invalid line number.)

### Example 9 for /START Command

Entry ET:

```
/START LTERM APPLE, TREE, FRUIT
```

Response ET:

```
DFS058I  START COMMAND COMPLETED
```

Response RT:

```
DFS059I  TERMINAL STARTED
```

Explanation: Logical terminals APPLE, TREE, and FRUIT are started.

### Example 10 for /START Command

Entry ET:

```
/START MSNAME CHICAGO
```

Response ET:

```
DFS058I  START COMMAND COMPLETED
```

Explanation: A logical link path associated with the name CHICAGO is started.

### Example 11 for /START Command

Entry ET:

```
/START NODE HARRY
```

Response ET:

```
DFS058I  START COMMAND COMPLETED
```

Explanation: The physical terminal associated with the node HARRY is started.

### Example 12 for /START Command

Entry ET:

```
/STA OTMA
```

Response ET:

```
DFS2360I 14:02:53 XCF GROUP JOINED SUCCESSFULLY. SYS3
DFS058I 14:02:53 START COMMAND COMPLETED  SYS3
DFS996I *IMS READY*  SYS3
```

### Example 13 for /START Command

Entry ET:

```
/START OLDS 09
```

Response ET:

```
DFS058I  START COMMAND IN PROGRESS
```

Explanation: OLDS data set DFSOLP09 (DFSOLS09) will be started for logging.

### Example 14 for /START Command

Entry ET:  
/START PROGRAM ALL

Response ET:  
DFS058I START COMMAND COMPLETED

Explanation: All application programs are started.

### Example 15 for /START Command

Entry ET:  
/START PROGRAM APPLETRE

Response ET:  
DFS058I START COMMAND COMPLETED

Explanation: Application program APPLETRE is started.

### Example 16 for /START Command

Entry ET:  
/START REGION

Response ET:  
DFS058I START COMMAND IN PROGRESS

Response ET:  
DFS551I IFP|MESSAGE|BATCH REGION XXXXXXXX STARTED. ID=yy TIME=zzzz  
CLASSES=xxx,xxx,xxx,xxx

Explanation: One message region or batch region (ID=yy) is started at TIME=zzzz. The transactions associated with the classes listed in the response can now be scheduled.

### Example 17 for /START Command

Entry ET:  
/START REGION IMSWT000

Response ET:  
DFS058I START COMMAND IN PROGRESS

Explanation: The JCL stored as member IMSWT000 is used to start the spool SYSOUT utility for the data sets associated with the spool line corresponding to the IMSWT000 procedure.

### Example 18 for /START Command

Entry ET:  
/START REGION MEMABC

Response ET:  
DFS058I START COMMAND IN PROGRESS

Response ET:



```
DFS551I IFP|MESSAGE|BATCH REGION XXXXXX STARTED. ID=yy TIME=zzzz
CLASSES=xxx,xxx,xxx,xxx
```

Explanation: The JCL stored as member XXXXXX is used to start a message processing region or batch message processing region with the classes specified by the EXEC statement parameters in MEMABC.

## Example 19 for /START Command

Entry ET:

```
/START RTCODE ALL
```

Response ET:

```
DFS058I START COMMAND COMPLETED
```

Explanation: All the Fast Path routing codes are activated. Transactions associated with these routing codes can now be processed.

## Example 20 for /START Command

Entry ET:

```
/START SB
```

Response ET:

```
DFS058I START COMMAND COMPLETED
```

Entry ET:

```
/DISPLAY POOL DBAS
```

Response ET:

```
SEQUENTIAL BUFFERING: STATUS = NOT-STOPPED
MAX      N.A.  FREE  N.A.  CURR  160K  HIGH  320K
DATABASE BUFFER POOL: SIZE  67584
REQ1     0 REQ2     0 READ     0 BISAM     0 WRITES     0
KEYC     0 LCYL     0 PURG     0 OWNRR     0 ERRORS 00/00
DATABASE BUFFER POOL: BSIZE 12288
RRBA     0 RKEY     0 BFALT     0 NREC     0 SYN PTS     0
NMBUFS  29 VRDS     0 FOUND     0 VWTS     0 ERRORS 00/00
DATABASE BUFFER POOL: BSIZE 356352
RRBA     0 RKEY     0 BFALT     0 NREC     0 SYN PTS     0
NMBUFS  29 VRDS     0 FOUND     0 VWTS     0 ERRORS 00/00
*86253/104547*
```

Explanation: Sequential buffering is started.

## Example 21 for /START Command

Entry ET:

```
/START SUBSYS ABC
```

Response ET:

```
DFS058I START COMMAND COMPLETED
```

Explanation: IMS has established a connection to the requested subsystem. It is likely that an external subsystem (not CCTL) connection message will be received at this time. If this is not the case, the /DISPLAY command can be used.

**Example 22 for /START Command**

Entry ET:

/sta tmember client1 tpipe tpipesy

Response ET:

DFS058I 15:39:40 START COMMAND COMPLETED SYS3  
DFS996I \*IMS READY\* SYS3**Example 23 for /START Command**

Entry ET:

/START TRANSACTION ALL CLASS 6

Response ET:

DFS058I START COMMAND COMPLETED

Explanation: All transactions associated with class 6 are started.

**Example 24 for /START Command**

Entry ET:

/START TRANSACTION PIT, SEED

Response ET:

DFS058I START COMMAND COMPLETED

Explanation: Transactions PIT and SEED are started.

**Example 25 for /START Command**

Entry ET:

/DISPLAY USER IMSUS01 IMSUS02

Response ET:

USER	ENQCT	DEQCT	QCT
IMSUS01	0	0	0 STOPPED
IMSUS02	0	0	0 STOPPED

\*91091/111727\*

Entry ET:

R 38,/START USER IMSUS01

Response ET:

DFS058I 11:19:05 START COMMAND COMPLETED

Entry ET:

/DISPLAY USER IMSUS01 IMSUS02

Response ET:

USER	ENQCT	DEQCT	QCT
IMSUS01	0	0	0
IMSUS02	0	0	0 STOPPED

\*91091/113038\*

Entry ET:

/START USER APPLE\*

Response ET:

DFS3633 11:19:35 GENERIC PARAMETER RESOURCES NOT FOUND, NO ACTION TAKEN

## **Example 26 for /START Command**

Entry ET (at the active site):

/START SERVGRP

Response ET (to the active subsystem):

DFS058 START COMMAND COMPLETED

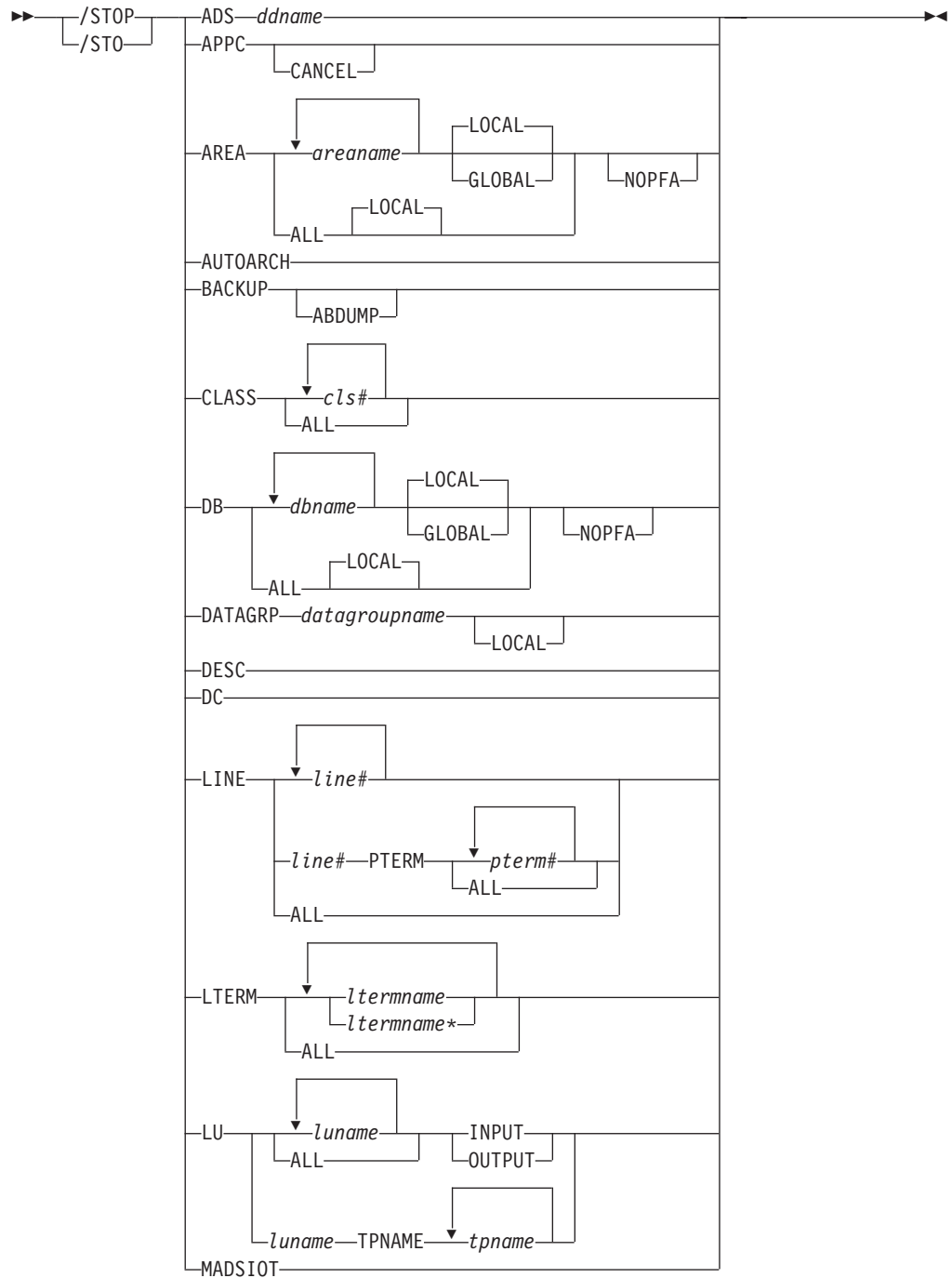
Explanation: Communications between the subsystem at the active site and the subsystem at the RSR tracking site are started.



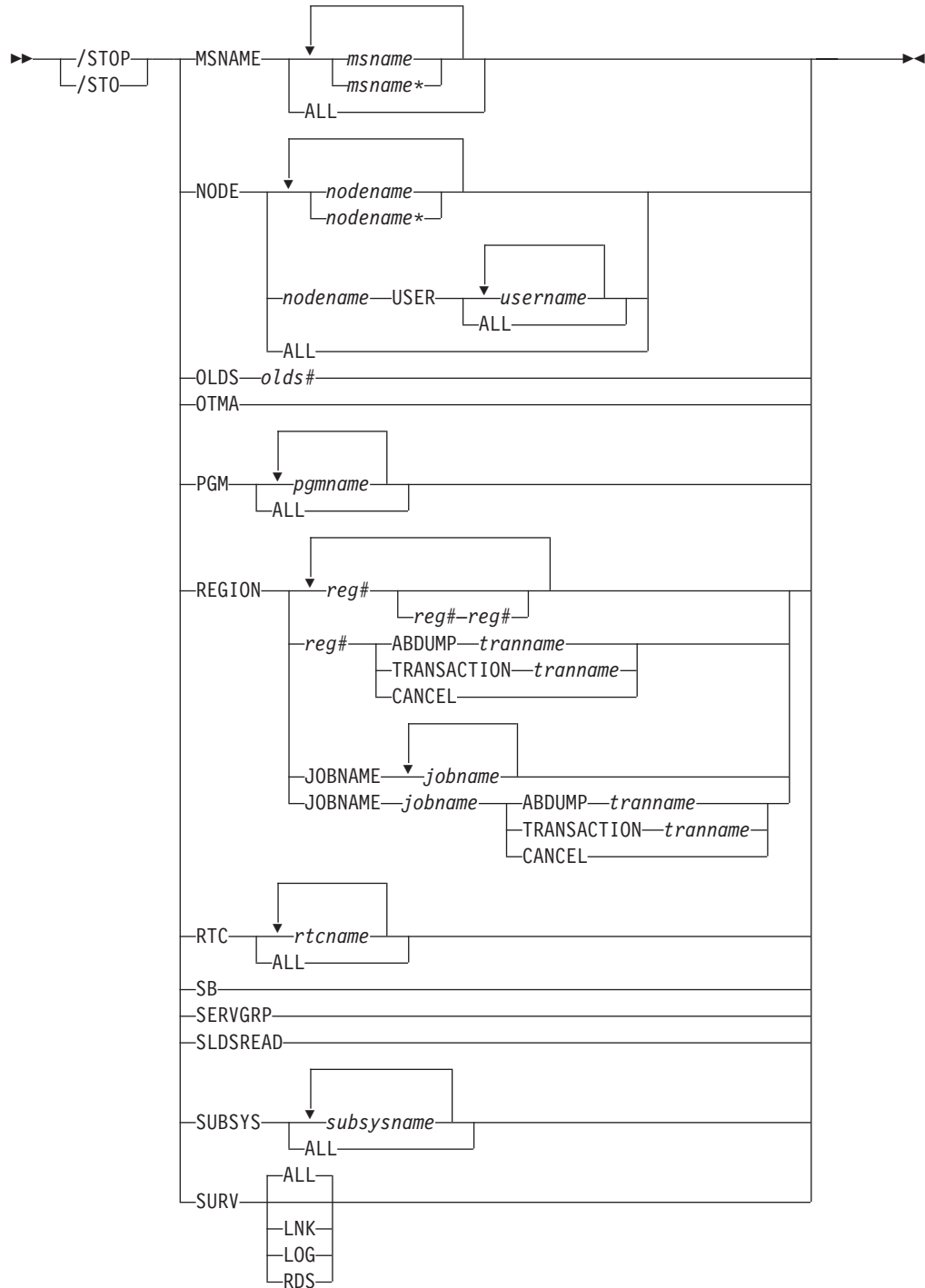
# Chapter 59. /STOP

## Format

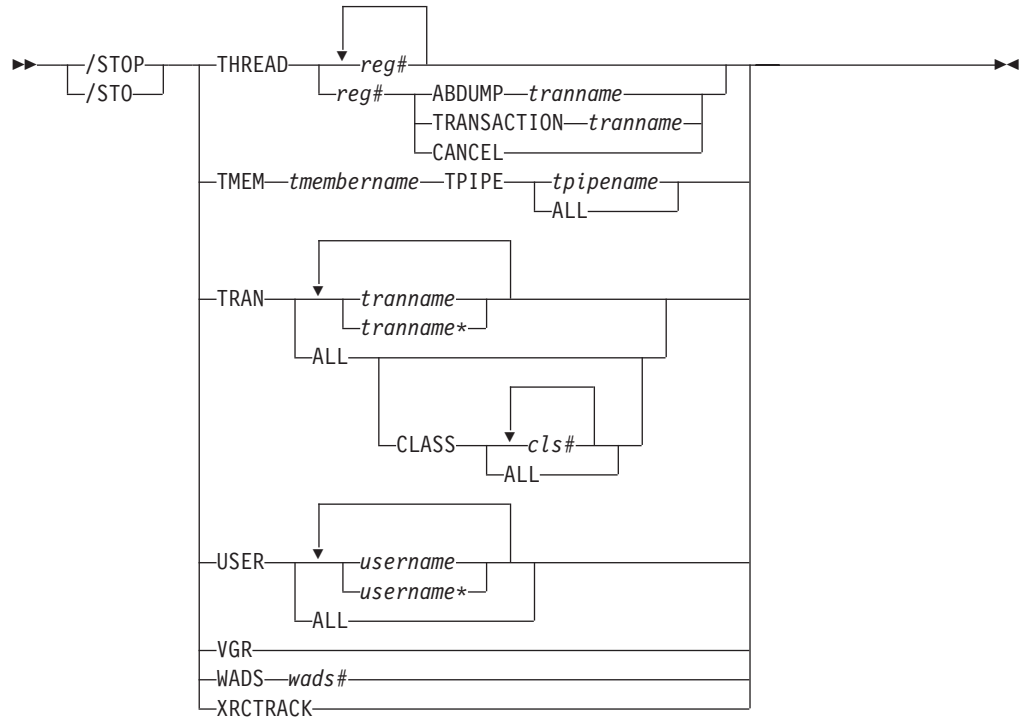
### /STOP Command: ADS through MADSIOT



### STOP Command: MSNAME through SURV



**STOP Command: THREAD through XRTRACK**



## Environments and Keywords

Table 150 lists the environments (DB/DC, DBCTL, and DCCTL) from which the command and keywords can be issued.

Table 150. Valid Environments for the /STOP Command and Keywords

Command / Keywords	DB/DC	DBCTL	DCCTL
/STOP	X	X	X
ABDUMP	X	X	X
ADS	X	X	
APPC	X		X
AREA	X	X	
AUTOARCH	X	X	X
BACKUP	X		X
CANCEL	X	X	X
CLASS	X		X
DB	X	X	
DATAGRP	X	X	
DESC	X		X
DC	X		X
GLOBAL	X	X	
INPUT	X		X
JOBNAME	X	X	X
LINE	X		X
LOCAL	X	X	

Table 150. Valid Environments for the /STOP Command and Keywords (continued)

Command / Keywords	DB/DC	DBCTL	DCCTL
LTERM	X		X
LU	X		X
MADSIOT	X	X	
MSNAME	X		X
NOPFA	X	X	
NODE	X		X
OLDS	X	X	X
OTMA	X		X
OUTPUT	X		X
PGM	X	X	X
PTERM	X		X
REGION	X	X	X
RTC	X		X
SB	X	X	
SERVGRP	X	X	X
SLDSREAD	X	X	X
SUBSYS	X	X	X
SURV	X		X
THREAD	X		X
TMEM	X		X
TPIPE	X		X
TPNAME	X		X
TRAN	X		X
USER	X		X
VGR	X		X
WADS	X	X	X
XRCTrack	X	X	X

---

## Usage

The /STOP command stops:

- The sending, receiving, or queuing of output messages to a particular communication line, terminal, user, or logical path
- The scheduling or queuing of messages containing a specific transaction code
- The execution of a specific program
- The use of a given database

For VTAM nodes, the currently connected terminal is disconnected. All further logons are rejected until the node is the subject of a /START or /RSTART command.

The /STOP command can be used on HALDBs. For more information see Appendix H, "High Availability Large Database Commands," on page 867



/STOP validity checks all parameters entered by the terminal operator. If an error is detected on parameters that are independent of one another, only the invalid parameters are indicated as being in error and the /STOP command processes the rest of the parameters.

/STOP can be used to reset conditions previously established by the /START, /RSTART, /PSTOP, /PURGE, or /MONITOR commands.

### ADS

Specifies the area data set to be closed and deallocated. The AREA is not stopped as long as at least one data set in the AREA remains open. /STOP ADS is rejected if the specified ADS is the last data set available in the AREA.

Although the /STOP ADS command has no option of LOCAL/GLOBAL, if the DEDB area is shared at the block level, the response is the same as if GLOBAL were specified.

The output of the /STOP ADS command is changed when the command is entered through the OM API. In this case, the DFS058I message is not returned to OM. The command response returned to OM contains one or more of the following messages as appropriate.

Fast Path messages: DFS140I, DFS0488I, DFS0666I, DFS1407I, DFS3720I, DFS3721I, DFS3771I

### APPC

Instructs IMS to stop scheduling transactions from LU 6.2 devices. /STOP APPC can be used in a transient stopped state. It causes remote LU 6.2 devices to receive a sense code of TP\_Not\_Available\_No\_Retry. This is likely to lead to further attempts to access IMS.

/STOP APPC sets the desired status to STOPPED. The current status is set to STOPPED or FAILED according to the response from APPC/MVS.

### CANCEL

Causes APPC/MVS to initiate a shutdown request when a long stopped period is anticipated, for example, at the end of the day's processing. All remote LU 6.2 devices receive a sense code of TP\_Not\_Available\_No\_Retry. The remote LU 6.2 devices stop trying to access this application.

/STOP APPC CANCEL sets the desired status to CANCEL according to responses from APPC/MVS. If the desired status is DISABLED, then IMS rejects /STOP APPC CANCEL<sup>2</sup> when it is entered.

### AREA

Specifies that the data sets associated with this area are closed. Use the /DISPLAY AREA command to determine if the area is stopped or closed. If the area is stopped, the area must be made available using the /START AREA command. In z/OS, all the data sets are deallocated. If the system processes a /STOP AREA command during HSSP processing, the area will be released after the current commit processing completes. Any image copy option in effect at /STOP time can affect the continued system operation. All virtual storage option (VSO) DEDB areas that are being stopped and that are in a z/OS data space are removed from the data space and updates are written out to DASD.

---

2. The sense code returned to the LU 6.2 remote device for an incoming ATTACH to a stopped APPC/IMS system is determined by APPC/MVS, and it might differ from release to release. In general, the remote LU 6.2 application should wait for a period of time after rejection before any attempts to reestablish a session with IMS.

The output of the /STOP AREA command is changed when the command is entered through the OM API. In this case, the DFS058I message is not returned to OM. For commands that specify GLOBAL, only the command master returns the asynchronous messages to OM. When a command is processed with the LOCAL keyword, all IMSs are able to return the asynchronous messages to OM. The command response returned to OM contains one or more of the following messages as appropriate.

Fast Path messages: DFS140I, DFS170I, DFS0488I, DFS0666I, DFS1407I, DFS3062I, DFS3342I, DFS3720I, DFS3824I

/STOP AREA is not supported on an RSR tracking subsystem.

### GLOBAL

Specifies when an IRLM is active and that the command applies to all subsystems sharing the database or area.

The GLOBAL keyword and the ALL parameter are mutually exclusive. If both keywords are specified, the command is rejected. The GLOBAL keyword requires that IRLM be active. If IRLM is not active, the command is rejected. DBRC is informed that the database or area has been stopped and will update the RECON data set to indicate the stopped condition.

The GLOBAL keyword is not supported on an RSR tracking subsystem.

If the GLOBAL keyword on a command is entered from an OM API, the command should only be routed to one IMS system in the IMSplex. The IMS that receives the command from OM will make DBRC calls to update the RECON with GLOBAL status. It will also request IRLM NOTIFY to route and process the command on sharing IMS systems, and then process the command locally.

Messages produced on the NOTIFIED systems will appear only on the system console and will not be routed back to the OM API which originally entered the command.

If multiple IMS systems have been explicitly specified in the route list, the master IMS system will process the command as described above. However, the non-master IMS systems, to which OM routes the command, will reject the command with the following return and reason code listed in Table 151:

Table 151. Return and reason code for GLOBAL keyword issued from the OM API

Return Code	Reason Code	Meaning
X'00000004'	X'00001000'	The command contained the GLOBAL keyword and was routed to more than one IMS system in the IMSPLEX. The non-master IMS systems will reject this command when OM routes the command to them. The master IMS system will process this command and use IRLM NOTIFY to route and process the command on the non-master IMS systems. See the discussion under the GLOBAL keyword.

### LOCAL

Specifies that the command only applies to the subsystem in which the command is entered. This command does not affect any other subsystem sharing the database or area. LOCAL is the default.

**NOPFA**

Specifies that DBRC is not notified that the database or area has changed status. You can use this keyword when you need to authorize the database for use after it is offline, for example, for offline utilities. By using this keyword, DBRC does not prevent further authorizations for the database or area.

**Recommendation:** Before restarting the database or area, issue this command **without** the NOPFA keyword to inform DBRC of the change in status for the database or area.

**AUTOARCH**

Specifies that automatic archiving is to be stopped.

**BACKUP**

Terminates the alternate system in an XRF environment. This command must be entered on the alternate system. The ABDUMP keyword results in a dump of the alternate system.

**CLASS**

Prevents further scheduling of application programs for the designated class.

All regions currently handling transactions assigned to the specific class are allowed to run until the limit count is reached (MPPs) or the input queue contains no more messages (BMPs and MPPs).

The region is not allowed to wait for the next message (wait-for-input mode). Instead a QC status code (no more messages) is returned to the application (MPPs).

If the region is already scheduled and waiting for the next message (wait-for-input mode) when the command is entered, the region is notified and a QC status code is returned to the application. (MPPs).

A batch message processing region (BMP) scheduled against wait-for-input (WFI) transactions returns a QC status code (no more messages) for /PSTOP REGION, /DBD, /DBR, or /STA commands only.

**DATABASE**

Prevents subsequently scheduled programs from accessing the database, without affecting currently scheduled programs or closing the database.

If the database is a DEDB or MSDB, programs using the database will not be scheduled. For other databases, the programs will still be scheduled but a call against the database will result in either a 3303 pseudoabend, or a BA status code, if the INIT call was issued.

If the database is stopped after the region is scheduled, the region is not allowed to wait for the next message (wait-for-input mode). If there are no more messages available for the region to process, a QC status (no more messages) will be returned to the application (MPPs). If the region is already scheduled and waiting for the next message (wait-for-input mode) when the command is entered, the region is notified and a QC status code is returned to the application (MPPs).

A batch message processing region (BMP) scheduled against wait-for-input (WFI) transactions returns a QC status code (no more messages) for /PSTOP REGION, /DBD, /DBR, or /STA commands only.

In an IFP region, the /STOP command has no effect until the region is started again.

See the AREA keyword for a description of the LOCAL, GLOBAL, and NOPFA keywords.

For DBCTL, when CCTL schedules a PSB, the DBCTL thread SCHED request defines the thread as LONG or SHORT. If the database is currently scheduled to a LONG thread, the command is rejected; otherwise, the thread is allowed to complete before the database is acted upon. This results in either a commit point or transaction termination.

For the results of issuing this command on a shared secondary index, see Appendix D, "Shared Secondary Index Database Commands," on page 849

/STOP DATABASE is not supported on an RSR tracking subsystem.

The output of the /STOP DATABASE command is changed when the command is entered through the OM API. In this case, the DFS058I message is not returned to OM. The command response returned to OM contains one or more of the following messages as appropriate to the database type and the command completion.

Full Function Database messages: DFS132, DFS160, DFS216, DFS0488I, DFS1407, DFS2026, DFS3318I, DFS3466I

Fast Path Database messages: No unique messages are returned.

## DATAGROUP

Specifies groups of DL/I databases, Fast Path DEDBs, and Fast Path areas to be stopped. Data groups are logical groupings of databases and areas; they allow simplified command processing for databases and areas. You define a database group in the RECON data set using the INIT.DBDSGRP command with parameters GRPNAME and DBGRP. DATAGROUP is not valid on RSR tracking subsystems.

**Related Reading:** See "Group Parameters" on page 20 for more information on defining data groups.

During /STOP DATAGROUP processing, all virtual storage option (VSO) DEDBs that are in a z/OS data space are removed from the data space and updates are written out to DASD.

**Recommendation:** Although you can use DBDS groups as well as database groups for this command, you should use database groups whenever possible to eliminate the overhead of converting the DBDS group to a database group.

## DESCRIPTOR

Defines the LU62 descriptors from DFS62DTx PROCLIB member to IMS.

## DC

2 Prohibits you from logging on to VTAM and ensures that all VTAM node  
2 sessions have terminated before IMS issues the DFS2111I message which says  
2 the ACB is closed.

2 **Note:** There are two ACBs if MNPS for XRF is used. If you use XRF with  
2 MNPS, both the APPLID and MNPS ACB are closed. If you are not using  
2 XRF or using XRF without MNPS, there is only one ACB, the VTAM  
2 ACB, which is closed. APPLID ACB is the same as VTAM ACB.

2 The /STOP DC command can be used either before or after the /CLSDST NODE or  
2 /STOP NODE command, the only difference being that logons can still occur if the  
2 /STOP DC command is not entered. However, the command cannot start or  
2 complete processing if the VTAM ACBs (APPLID and MNPS) are not open or  
2 the VTAM nodes remain active. If the nodes are active, the /CLSDST NODE or

2 /STOP NODE command must be issued to close the nodes; in some cases, a  
 2 /IDLE NODE command can be issued to cause an OS VTAM VARY command to  
 2 be issued against any nodes that remain connected.

### LINE

Stops message queuing for lines and stops the sending and receiving of messages over the lines. However, lines are not considered stopped unless they are stopped and idle. Use /DISPLAY LINE to verify line status.

/STOP LINE PTERM ensures that no input messages from any of the specified terminals assigned to the specified lines will be received by IMS after the command is issued.

/STOP LINE resets preset mode, test mode, response mode, lock pterm, lock lterm, pstop lterm, and purge lterm because these statuses are not significant and therefore are not kept after a /START LINE or restart.

### LTERM

Specifies the LTERM that is to be stopped. The /STOP LTERM command with a logical terminal that is in a QLOCKED state does not reset the QLOCK state, but puts the LTERM in a STOPPED and QLOCKED state.

If IMS internally resets the QLOCK condition, the LTERM remains in a STOPPED state. (QLOCK indicates that the LTERM is locked from sending any further output or from receiving input that can create additional output for the same LTERM until the state is reset by a specific request received on the session.)

/STOP LTERM is rejected for remote logical terminals.

The LTERM parameter can be generic where the generic parameter specifies LTERMs that already exist.

If global resource information is kept in Resource Manager, the /STOP LTERM command stops messages from being queued to the lterm anywhere in the IMSplex and the change is reflected both in Resource Manager and in the local IMS system.

### LUNAME TPNAME

Specifies a particular LU name that is to be stopped.

Specifying the keyword INPUT with the LUNAME TPNAME keyword stops an luname for any input and synchronous outbound activities. Specifying the parameter ALL with INPUT causes all future LU 6.2 input and synchronous outbound activities to be stopped as well.

Specifying the keyword OUTPUT with the LUNAME TPNAME keyword stops an luname for any asynchronous outbound activities. Specifying the parameter ALL with OUTPUT causes all future LU 6.2 asynchronous outbound activities to be stopped as well.

Specifying neither INPUT nor OUTPUT is the same as specifying both INPUT and OUTPUT. The LU name is stopped for any input, and both synchronous and asynchronous outbound activities. Specifying the parameter ALL in this case stops all future LU 6.2 inbound activities, synchronous and asynchronous outbound activities.

A network-qualified LU name is optional for the LUNAME keyword. If the LU name is not network-qualified and no TP name is specified, all network-qualified LU names whose LU names match the LU name specified are also stopped.

/STOP LUNAME TPNAME stops a particular TP name of the LU name specified.

If the specified resource does not exist, a structure is created to retain the status.

**MADSIOT**

Allows users to disable the MADS I/O timing function in a MADS I/O timing enabled environment. When `/STOP MADSIOT` completes normally, the following message is returned to the operator's console:

```
DFS12761 MADS I/O TIMING FUNCTION STOPPED SUCCESSFULLY
```

`/START MADSIOT` allows users to resume the MADS I/O timing function.

If MADS I/O Timing list structure is not defined in DFSVSMxx, the command will be rejected. If MADS I/O Timing function is already disabled, the command will be ignored. If MADS I/O Timing function is enabled and all sharing partners successfully disconnect from MADS I/O Timing list structure on the coupling facility, the command will complete successfully; if any sharing partners fails to disconnect to MADS I/O Timing list structure, the command will fail.

The output of the `/STOP MADSIOT` command is changed when the command is entered through the OM API. In this case, the DFS058I message is not returned to OM. The command response returned to OM contains one or more of the following messages as appropriate.

Fast Path messages: DFS0023I, DFS0008I, DFS1271I, DFS1276I, DFS1275E, DFS1219E

**MSNAME**

Stops the sending of all messages (primary requests) from a terminal except those continuing a conversation. This includes all messages destined for remote transactions with the SYSID of the MSNAME and for remote logical terminals associated with this MSNAME.

**NODE**

Specifies the VTAM node to be stopped and logged off. The NODE parameter can be generic if the USER keyword is not specified and applies to nodes that already exist.

The `/STOP NODE` command prevents future logons until a `/START NODE` command is issued.

`/STOP NODE` without the USER keyword is supported for nodes that do not yet exist. It causes the node to be created and stopped which prevents the dynamic node from logging on. `/STOP NODE` without the USER keyword affects all half-sessions of the specified node.

`/STOP NODE USER` is valid for ISC and non-ISC nodes and users; however the user must still be allocated or signed on to the node. `/STOP NODE USER` for ISC nodes stops the named half-session defined in USER username for NODE nodename.

`/STOP NODE` resets preset mode, test mode, response mode, lock node, lock lterm, pstop lterm, and purge lterm because these statuses are not significant and therefore are not kept after a logon or restart. `/STOP NODE` also takes other actions depending on the recovery settings for the node:

**RCVYSTSN=NO**

`/STOP NODE` acts like a `/CHANGE NODE COLDSESS` command for FINANCE and SLUP nodes by setting the session status to 'cold'. `/STOP NODE` acts like a `/QUIESCE NODE` command for ISC (LU6.1) nodes by initiating the shutdown and deallocating the user for the specified node. This action



changes the session status to 'cold'. With these actions taken by the /STOP NODE command, the next session initiation request for this node is allowed to again attempt a session cold start (after a /START NODE command has been entered).

**RCVYCONV=NO**

/STOP NODE causes any IMS conversations (active and held) to be terminated. Any conversational message that is queued or being processed will have its output response message delivered asynchronously.

**RCVYFP=NO**

/STOP NODE causes Fast Path status and messages to be discarded

If global resource information is kept in Resource Manager, the /STOP NODE command sets a global stop status for the node and prevents the node from logging on anywhere in the IMSplex. If global resource information is not kept in Resource Manager, /STOP NODE creates the node, if it does not exist in an ETO environment, and sets stop status for the local node. If the node does not exist in a non-ETO environment, the /STOP NODE command is rejected.

**OLDS**

indicates that IMS is to stop using an OLDS log data set. olds# identifies an OLDS that is defined by JCL or a DFSMDA macro and is currently started. olds# must be 00 through 99. The stopped OLDS will be dynamically deallocated when it is no longer possible for it to be accessed for dynamic backout.

If in dual mode, both primary and secondary OLDSs are stopped. If there are only two OLDS data sets available, or if the specified OLDS is the one currently being used for output, the /STOP OLDS command will be rejected.

**OTMA**

Causes IMS to leave the XCF group for IMS Open Transaction Manager Access (OTMA).

/STOP OTMA command processing is as follows:

1. IMS leaves the XCF group.
2. For any IMS OTMA output awaiting an ACK message, IMS aborts the message. For Commit-then-Send transactions, the output remains enqueued to the transaction pipe. For Send-then-Commit transactions, IMS aborts the transaction.

**PROGRAM**

Specifies the application program that is to be stopped.

/STOP PROGRAM does not stop CPI Communications driven transaction programs.

**REGION**

Is used to stop IMS regions and, application programs, or both. /STOP REGION is not mirrored on the XRF alternate system. You must enter this command on the alternate system if you want it to affect the alternate system.

**REGION *reg#***

Is used to terminate one or more message processing regions at the conclusion of processing the current transaction. The region identifier is *reg#*.

/STOP REGION *reg#* can also be used to terminate Fast Path regions. /STOP REGION *reg#* cannot be used to terminate batch regions.

A Fast Path utility region is terminated at the next system checkpoint of the utility.

**REGION** *reg#–reg#*

Is used to terminate a range of message processing regions at the conclusion of processing the current transaction.

**REGION** *reg# ABDUMP* *trancode*

Causes abnormal termination of an application program.

The region identifier is *reg#* and the transaction code is *trancode*.

If the transaction indicated by *trancode* is currently running in REGION *reg#*, an error message is received at the master terminal, indicating an application program abend. The region is still be active but the transaction is stopped. The command is ignored if the transaction is not currently scheduled in region *reg#*.

/STOP REGION *reg#* ABDUMP should be used only for a region that appears to be looping or in a wait state. If this command does not abnormally terminate the application running in a region, then the /STOP REGION *reg#* CANCEL command can be used. This might cause the control region to terminate with abend 113 if parallel DL/I is being used. See /STOP REGION *reg#* CANCEL for further warnings.

The *trancode* variable is not valid for batch, IFP, or Fast Path utility regions.

**REGION** *reg# TRANSACTION* *trancode*

Stops a message processing program in wait-for-input (WFI) mode from processing within the specified region.

The region identifier is *reg#* and the transaction code is *trancode*.

If the transaction indicated by *trancode* is currently running in region *reg#*, the IMS message DFS0569I is received at the master terminal, indicating that a QC status code (no more messages) was returned to the application program (MPPs). The region that contained the application is still active and the transaction is not stopped. A batch message processing program in WFI mode must be stopped using the /PSTOP command.

A batch message processing region (BMP) scheduled against wait-for-input (WFI) transactions returns a QC status code (no more messages) for, /PSTOP REGION, /DBD, /DBR, or /STA commands only.

**REGION** *reg# CANCEL*

Is used if the region cannot be stopped with a /STOP REGION ABDUMP command and must be preceded by a /STOP REGION ABDUMP command.

The region identifier is *reg#*.

Using the /STOP REGION CANCEL command can cause the IMS control region to terminate with user abend 113 if parallel DL/I is being used. A z/OS CANCEL command will be rejected.

If the /CHECKPOINT command cannot shut down IMS or the resources are permanently unavailable, start the same type of region under the same initiator as the canceled region. This should enable IMS to detect the region as canceled and free the allocated resources.

**REGION** *JOBNAME*

Identifies regions to be stopped by their job names. The job name must be



1-8 alphanumeric or national (\$,#,@) characters. The first character of the job name must be either alphabetic or national.

### **RTCODE**

Specifies that transactions associated with this routing code are not processed.

### **SB**

Disallows further use of sequential buffering. /STOP SB does not affect sequential buffering applications scheduled before this command was issued.

### **SERVGRP**

Stops communications between the service group in an RSR complex at which the command was entered and the service group at the other site. /STOP SERVGRP also severs the relationship between the IMS subsystem and the TMS subsystem.

Once communications are stopped, the logger stops sending log data to the RSR tracking subsystem. No more attempts to re-establish failed conversations are made at OLDS switch. /STOP SERVGRP is normally not needed. /STOP SERVGRP is valid from an active subsystem and a tracking subsystem.

Successful completion of the syntax checking of the /STOP SERVGRP command results in the DFS058 STOP COMMAND COMPLETED message, although processing of the command continues asynchronously.

### **SLDSREAD**

Indicates whether IMS is enabled to retrieve records from both a system log data set (SLDS) and OLDS or OLDS only. The default is that SLDSREAD is enabled.

### **SUBSYS**

Specifies the name of the external subsystem whose connection is to be terminated. /STOP SUBSYS does allow application programs currently accessing external resources to complete normally. When those applications have terminated, the connection to the subsystem will also terminate. The application must complete all message processing before actual connection termination. The next occurrence of an external subsystem call will receive a nonzero return code, indicating the connection is not available. A /START command is then necessary to reestablish the connection.

/STOP SUBSYS can also be used to dynamically reconfigure existing subsystem definitions. The operator can issue the /STOP SUBSYS command, change or add to the PROCLIB member, and then issue the /START SUBSYS command. IMS attempts to connect those subsystems defined in the PROCLIB member.

If system failure occurs after /STOP SUBSYS is processed, the stopped status is still set.

### **SURVEILLANCE**

Is used in an XRF environment to stop the operation of the IMS surveillance function. The SURVEILLANCE keyword parameters are:

<b>LNK</b>	ISC link
<b>RDS</b>	Restart data set
<b>LOG</b>	System log.
<b>ALL</b>	The same as specifying LNK, RDS, and LOG. This is the default.

**THREAD**

Stops an inactive CCTL thread. The DEDB utility region is terminated at the next system checkpoint.

The /STOP THREAD command is not valid for:

- Active CCTL threads
- BMPs

**THREAD ABDUMP**

Abends BMPs and DEDB utilities. If this command is used with CCTL threads, a U0474 abend results.

**TMEMBER**

Causes IMS to send an Open Transaction Manager Access (OTMA) command to OTMA clients to request that input be suspended for the specified transaction pipe name. IMS then stops sending output to the OTMA client and prevents any further output from being sent to the client.

**TPIPE**

When used with the /STOP command, TPIPE causes IMS to suspend sending output to OTMA clients.

While processing the /STOP TMEMBER TPIPE command, IMS creates a temporary transaction pipe (if one does not already exist) with the stopped status. IMS sets the synchronization status for this transaction pipe when it sends or receives the first message for the transaction pipe.

After a /STOP TMEMBER xxx TPIPE ALL command is issued, newly created tpipes will not be stopped for either input or output.

**TRANSACTION**

Stops the queuing and scheduling of messages destined for a transaction or class of transactions, or stops transaction scheduling by class. However, output can still be queued if it originates from the application program.

If the region is already scheduled and waiting for the next message (wait-for-input mode) when the command is entered, a QC status (no more messages) is returned to the application (MPPs). If there are no more messages available for the region to process, the region is not allowed to wait for the next message. Instead, a QC status is returned to the application (MPPs).

A batch message processing region (BMP) scheduled against wait-for-input (WFI) transactions returns a QC status code (no more messages) for /PSTOP REGION, /DBD, /DBR, or /STA commands only.

In a shared-queues environment, if you issue a /STOP TRANSACTION command for a transaction that is not defined on that IMS subsystem, IMS creates an SMB if the Output Creation user exit routine indicates the destination is a valid transaction. The SMB is marked as "dynamic".

A dynamic SMB created by a /STOP TRANSACTION command can only be used to queue messages for the transaction and place the messages on the shared queues. The transaction cannot be scheduled or assigned. IMS does process checkpoints for the transaction, but does not save them across an IMS restart if they do not have a valid status.

The TRANSACTION parameter can be generic, when the generic parameter specifies a transaction that already exists.

**USER**

Requires the ISC user to stop or the signed on user to stop and sign off. The USER parameter can be generic and applies only to users that already exist.

For ISC users, /STOP USER specifies the ISC user that is to be made unavailable for allocation until a /START USER command is issued.

For signed on users, the /STOP USER command prevents future signons until a /START USER command is issued.

/STOP USER is supported for users that do not yet exist. It causes the user to be created and stopped, which prevents the dynamic user from signing on.

/STOP USER will not cause the user to be signed off if the associated node is not active or the associated node is not in session.

The /STOP USER command for an ETO user session resets status that is not significant such as preset mode, test mode, response mode, lock lterm, pstop lterm, and purge lterm.

/STOP USER for ETO users also takes other actions depending on the recovery settings for the user:

**RCVYCONV=NO**

/STOP USER causes any IMS conversations (active and held) for an ETO user to be terminated. Any conversational message that is queued or being processed will have its output response message delivered asynchronously.

**RCVYFP=NO**

/STOP USER causes Fast Path status and messages for an ETO user to be discarded.

If global resource information is kept in Resource Manager, the /STOP USER command sets a global stop signon status for the user and prevents the user from signing on anywhere in the IMSplex. If global resource information is not kept in Resource Manager, /STOP USER creates the user, if it does not exist in an ETO environment, and sets stop status for the local user. If the user does not exist in a non-ETO environment, the /STOP USER command is rejected.

**VGRS**

Causes the IMS subsystem to drop out of a generic resources group. This command is rejected if the VTAM ACB is closed (usually the result of a /STOP DC command).

While this command prevents VTAM from routing new sessions using a generic resource name to the IMS subsystem, it does not affect existing sessions, and affinities remain (until terminated through normal processing).

**WADS**

Indicates that a WADS is to be removed from the pool of available WADS. IMS does not allow the active WADS (if WADS mode is single), or the active WADS pair (if WADS mode is dual), to be stopped. wads# must be 0 through 9.

**XRTRACK**

Results in calls to the log router to initiate or terminate XRC tracking. It is only valid on a tracking IMS system.

---

## Examples

### Example 1 for /STOP Command

Entry ET:

```
/STOP AREA DB1AREA0 DB1AREA1
```

Response ET:

```
DFS058I STOP COMMAND IN PROGRESS
DFS0488I STOP COMMAND COMPLETED. AREA=DB1AREA0
DFS0488I STOP COMMAND COMPLETED. AREA=DB1AREA1
```

Explanation: The DEDB areas DB1AREA0 and DB1AREA1 are stopped for processing.

### Example 2 for /STOP Command

Entry ET:

```
/STOP AUTOARCH
```

Response ET:

```
DFS058I STOP COMMAND COMPLETED
```

Explanation: Automatic archiving is stopped.

### Example 3 for /STOP Command

Entry ET:

```
/STOP CLASS 3
```

Response ET:

```
DFS058I STOP COMMAND COMPLETED
```

Explanation: No further scheduling of application programs for class 3 transactions occurs. All message processing programs currently handling class 3 transactions are allowed to run until the processing limit count is reached or the input queue contains no more messages.

### Example 4 for /STOP Command

Entry ET:

```
/STOP DATABASE TREEFARM
```

Response ET:

```
DFS058I STOP COMMAND IN PROGRESS
DFS0488I STOP COMMAND COMPLETED. DBN=TREEFARM RC=0
```

Explanation: Database TREEFARM is stopped.

### Example 5 for /STOP Command

TSO SPOC input:

```
STO DB BANKATMS BANKTERM BANKLDGR BE3ORDER
```

TSO SPOC output:

```

SYS3   DFS0488I  STO COMMAND COMPLETED. DBN= BANKATMS RC= 0
SYS3   DFS0488I  STO COMMAND COMPLETED. DBN= BANKTERM RC= 0
SYS3   DFS0488I  STO COMMAND COMPLETED. DBN= BANKLDGR RC= 0
SYS3   DFS0488I  STO COMMAND COMPLETED. DBN= BE3ORDER RC= 0
IMS3   DFS0488I  STO COMMAND COMPLETED. DBN= BANKATMS RC= 0
IMS3   DFS0488I  STO COMMAND COMPLETED. DBN= BANKTERM RC= 0
IMS3   DFS0488I  STO COMMAND COMPLETED. DBN= BANKLDGR RC= 0
IMS3   DFS0488I  STO COMMAND COMPLETED. DBN= BE3ORDER RC= 0

```

**OM API input:**

```
CMD ( STO DB BANKATMS BANKTERM BANKLDGR BE3ORDER )
```

**OM API output:**

```

<?xml version="1.0"?>
<!DOCTYPE imsout SYSTEM "imsout.dtd">
<imsout>
<ctl>
<omname>OM10M </omname>
<omvsn>1.1.0</omvsn>
<xmlvsn>1 </xmlvsn>
<statime>2002.197 22:05:21.270547</statime>
<stotime>2002.197 22:05:21.307712</stotime>
<staseq>B7EFC16AF6B13F26</staseq>
<stoseq>B7EFC16AFC40D8C</stoseq>
<rqsttkn1>USRT005 10150521</rqsttkn1>
<rc>00000000</rc>
<rsn>00000000</rsn>
</ctl>
<cmd>
<master>SYS3 </master>
<userid>USRT005 </userid>
<verb>STO </verb>
<kwd>DB </kwd>
<input>STO DB BANKATMS BANKTERM BANKLDGR BE3ORDER </input>
</cmd>
<msgdata>
<mbr name="SYS3 ">
<msg>DFS0488I STO COMMAND COMPLETED. DBN= BANKATMS RC= 0</msg>
<msg>DFS0488I STO COMMAND COMPLETED. DBN= BANKTERM RC= 0</msg>
<msg>DFS0488I STO COMMAND COMPLETED. DBN= BANKLDGR RC= 0</msg>
<msg>DFS0488I STO COMMAND COMPLETED. DBN= BE3ORDER RC= 0</msg>
</mbr>
<mbr name="IMS3 ">
<msg>DFS0488I STO COMMAND COMPLETED. DBN= BANKATMS RC= 0</msg>
<msg>DFS0488I STO COMMAND COMPLETED. DBN= BANKTERM RC= 0</msg>
<msg>DFS0488I STO COMMAND COMPLETED. DBN= BANKLDGR RC= 0</msg>
<msg>DFS0488I STO COMMAND COMPLETED. DBN= BE3ORDER RC= 0</msg>
</mbr>
</msgdata>
</imsout>

```

Explanation: The STOP command is routed from OM to the two active IMSs - SYS3 and IMS3. The response from both IMSs is returned to OM. The databases BANKATMS, BANKTERM, BANKLDGR, and BE3ORDER are stopped at both IMSs.

**Example 6 for /STOP Command**

Entry ET:

```
/STOP LINE 4,5,6,7,8,9,10,11
```

Response ET:

```
DFS058I STOP COMMAND COMPLETED
```

Response RT:

```
DFS059I  TERMINAL STOPPED
```

Explanation: Lines 4, 5, 6, 7, 8, 9, 10, and 11 and their associated physical terminals are stopped.

### **Example 7 for /STOP Command**

Entry ET:

```
/STOP LINE 4 8 900
```

Response ET:

```
DFS058I  STOP COMMAND COMPLETED EXCEPT LINE 900
```

Response RT:

```
DFS059I  TERMINAL STOPPED
```

Explanation: Lines 4 and 8 and their associated physical terminals are stopped. 900 is an invalid line number.

### **Example 8 for /STOP Command**

Entry ET:

```
/STOP LINE 4 PTERM 1, 2
```

Response ET:

```
DFS058I  STOP COMMAND COMPLETED
```

Response RT:

```
DFS059I  TERMINAL STOPPED
```

Explanation: Physical terminals 1 and 2 on line 4 are stopped.

### **Example 9 for /STOP Command**

Entry ET:

```
/STOP LTERM APPLE, TREE, FRUIT
```

Response ET:

```
DFS058I  STOP COMMAND COMPLETED
```

Response RT:

```
DFS059I  TERMINAL STOPPED
```

Explanation: Logical terminals APPLE, TREE, and FRUIT are stopped.

### **Example 10 for /STOP Command**

Entry ET:

```
/STOP MSNAME BOSTON
```

Response ET:

```
DFS058I  STOP COMMAND COMPLETED
```

Explanation: The logical link path associated with the name BOSTON is stopped.

**Example 11 for /STOP Command**

Entry ET:

```
/STOP NODE HARRY
```

Response ET:

```
DFS058I STOP COMMAND COMPLETED
```

Explanation: The physical terminal associated with node HARRY is disconnected (/CLSDST) and further logons are prevented.

**Example 12 for /STOP Command**

Entry ET:

```
/STO OTMA
```

Response ET:

```
DFS2361I 14:02:05 XCF GROUP CLOSED SUCCESSFULLY. SYS3
DFS058I 14:02:06 STOP COMMAND COMPLETED SYS3
DFS996I *IMS READY* SYS3
```

**Example 13 for /STOP Command**

Entry ET:

```
/STOP OLDS 09
```

Response ET:

```
DFS058I STOP COMMAND IN PROGRESS
DFS2500I DATASET DFSOLP09 SUCCESSFULLY DEALLOCATED
DFS3257I OLDS DEALLOCATED ON DFSOLP09
```

Explanation: The subject OLDS, DFSOLP09 (DFSOLS09), will be stopped.

**Example 14 for /STOP Command**

Entry ET:

```
/STOP PROGRAM APPLETRE
```

Response ET:

```
DFS058I STOP COMMAND COMPLETED
```

Explanation: Application program APPLETRE is stopped.

**Example 15 for /STOP Command**

Entry ET:

```
/DISPLAY A
```

Response ET:

REGID	JOBNAME	TYPE	TRAN/STEP	PROGRAM	STATUS	CLASS
2	MPP	TP	TXCDRN24	DDLTRN24		1, 2
1	BMP	BMP	BMP	BMP255		
3	IFPN	FPM	NO MSG.	DDLTJN26		
	DBR1CT13	DBRC				
VTAM ACB CLOSED						
LINE	ACTIVE-IN	-	1	ACTIV-OUT	-	0
NODE	ACTIVE-IN	-	0	ACTIV-OUT	-	0
LINK	ACTIVE-IN	-	0	ACTIV-OUT	-	0
*89041/142004*						

Explanation: Fast Path message-driven region 3 currently has no messages to process.

Entry ET:

```
/STOP REG 3
```

Response ET:

```
DFS058I STOP COMMAND IN PROGRESS
```

Entry ET:

```
/DISPLAY A
```

Response ET:

```

REGID JOBNAME   TYPE  TRAN/STEP PROGRAM  STATUS      CLASS
   2 MPP        TP   TXCDRN24 DDLTRN24          1,  2
   1 BMP        BMP  BMP      BMP255
      FPRGN     FP   NONE
      DBR1CT13 DBRC
VTAM ACB CLOSED
LINE ACTIVE-IN - 1 ACTIV-OUT - 0
NODE ACTIVE-IN - 0 ACTIV-OUT - 0
LINK ACTIVE-IN - 0 ACTIV-OUT - 0
*89041/142102*
```

Explanation: Fast Path region 3 has been stopped. If region 3 had been processing a message, IMS would have terminated the region on completion of the transaction.

## Example 16 for /STOP Command

Entry ET:

```
/DISPLAY A
```

Response ET:

```

REGID JOBNAME   TYPE  TRAN/STEP PROGRAM  STATUS      CLASS
   2 MPP        TP   TXCDRN24 DDLTRN24          1,  2
   1 BMP        BMP  BMP      BMP255
      FPRGN     FP   NONE
      DBR1CT13 DBRC
VTAM ACB CLOSED
LINE ACTIVE-IN - 1 ACTIV-OUT - 0
NODE ACTIVE-IN - 0 ACTIV-OUT - 0
LINK ACTIVE-IN - 0 ACTIV-OUT - 0
*89041/142102*
```

Entry ET:

```
/STOP REG 1
```

Response ET:

```
DFS058I STOP COMMAND IN PROGRESS
DFS0557I STOP REGION ID NOT VALID- REGION 0001 IS BMP.
```

Explanation: /STOP REGION (with no keywords) is not valid for batch regions.

## Example 17 for /STOP Command

Entry ET:

```
/DISPLAY A
```

Response ET:



```

REGID JOBNAME  TYPE  TRAN/STEP PROGRAM STATUS          CLASS
   2 MPP        TP    TXCDRN24 DDLTRN24          1, 2
   1 BMP        BMP   BMP      BMP255
   3 FPU        FPU   IFP      DBF#FPU0
      DBR1CT13 DBRC
VTAM ACB CLOSED
LINE ACTIVE-IN - 1 ACTIV-OUT - 0
NODE ACTIVE-IN - 0 ACTIV-OUT - 0
LINK ACTIVE-IN - 0 ACTIV-OUT - 0
*89041/142453*

```

Entry ET:

```
/STOP REG 3
```

Response ET:

```
DFS058I STOP COMMAND IN PROGRESS
```

Entry ET:

```
/DISPLAY A
```

Response ET:

```

REGID JOBNAME  TYPE  TRAN/STEP PROGRAM STATUS          CLASS
   2 MPP        TP    TXCDRN24 DDLTRN24          1, 2
   1 BMP        BMP   BMP      BMP255
      FPRGN     FP    NONE
      DBR1CT13 DBRC
VTAM ACB CLOSED
LINE ACTIVE-IN - 1 ACTIV-OUT - 0
NODE ACTIVE-IN - 0 ACTIV-OUT - 0
LINK ACTIVE-IN - 0 ACTIV-OUT - 0
*89041/142758*

```

Explanation: Fast Path utility region 3 has been stopped. The Fast Path utility DBF#FPU0 was terminated at the next system checkpoint.

## Example 18 for /STOP Command

Entry ET:

```
/DISPLAY A
```

Response ET:

```

REGID JOBNAME  TYPE  TRAN/STEP PROGRAM STATUS          CLASS
   2 MPP        TP    TXCDRN24 DDLTRN24          1, 2
   1 BMP        BMP   BMP      BMP255
      FPRGN     FP    NONE   SYS3
VTAM ACB CLOSED
LINE ACTIVE-IN - 1 ACTIV-OUT - 0
NODE ACTIVE-IN - 0 ACTIV-OUT - 0
LINK ACTIVE-IN - 0 ACTIV-OUT - 0
*89041/142758*

```

Explanation: Transaction TXCDRN24 in region 2 is looping or in a wait state.

Entry ET:

```
/STOP REG 2 ABDUMP TXCDRN24
```

Response ET:

```

DFS058I STOP COMMAND IN PROGRESS
DFS555I TRAN TXCDRN24 ABEND S000,U0474 SYS ID 220 MSG IN PROGRESS

```

Explanation: The application program has been terminated with a U0474 ABEND. This abend indicates termination in response to a user request (/STOP REGION ABDUMP).

Entry ET:

/DISPLAY A

Response ET:

REGID	JOBNAME	TYPE	TRAN/STEP	PROGRAM	STATUS	CLASS
2	MPP	TP	WAITING			1, 2
1	BMP	BMP	BMP	BMP255		
	FPRGN	FP	NONE			
	DBR1CT13	DBRC				
VTAM ACB CLOSED						
LINE	ACTIVE-IN	-	1	ACTIV-OUT	-	0
NODE	ACTIVE-IN	-	0	ACTIV-OUT	-	0
LINK	ACTIVE-IN	-	0	ACTIV-OUT	-	0
*89041/143420*						

Explanation: The application has been terminated but the region remains active.

Entry ET:

/DISPLAY PROG DDLTRN24

Response ET:

PROGRAM	TRAN	TYPE
DDLTRN24	TXCDRN24	TP
*90340/143749*		

Explanation: The program has not been stopped.

Entry ET:

/DISPLAY TRANSACTION TXCDRN24

Response ET:

TRAN	CLS	ENQCT	QCT	LCT	PLCT	CP	NP	LP	SEGSZ	SEGNO	PARLM	RC
TXCDRN24	2	1	0	65535	65535	1	1	1	0	0	0	0
PSBNAME: DDLTRN24												
STATUS: STOP												
*90340/143802*												

Explanation: The transaction has been stopped.

## Example 19 for /STOP Command

Entry ET:

/DISPLAY A

Response ET:

REGID	JOBNAME	TYPE	TRAN/STEP	PROGRAM	STATUS	CLASS
2	MPP	TP	WAITING			1, 2
1	BMP	BMP	BMP	BMP255		
3	FPU	FPU	IFP	DBP#FPU0		
	DBR1CT13	DBRC				
VTAM ACB CLOSED						
LINE	ACTIVE-IN	-	1	ACTIV-OUT	-	0
NODE	ACTIVE-IN	-	0	ACTIV-OUT	-	0
LINK	ACTIVE-IN	-	0	ACTIV-OUT	-	0
*89041/144248*						

Entry ET:

/STOP REG 3 ABDUMP

Response ET:

DFS058I STOP COMMAND IN PROGRESS

Explanation: A transaction code is not entered when terminating a Fast Path utility with a /STOP REGION ABDUMP command.

## Example 20 for /STOP Command

Entry ET:

/DISPLAY A

Response ET:

REGID	JOBNAME	TYPE	TRAN/STEP	PROGRAM	STATUS	CLASS
2	MPP	TP	TXCDRN24	DDLTRN24	WAIT-INPUT	1, 2
1	BMP	BMP	BMP	BMP255		
	FPRGN	FP	NONE			
	DBR1CT13	DBRC				
VTAM ACB CLOSED						
LINE	ACTIVE-IN	-	1	ACTIV-OUT	-	0
NODE	ACTIVE-IN	-	0	ACTIV-OUT	-	0
LINE	ACTIVE-IN	-	0	ACTIV-OUT	-	0
*89041/150141*						

Explanation: Message processing program DDLTRN24 is waiting for an input message.

Entry ET:

/STOP REGION 2 TRANSACTION TXCDRN24

Response ET:

DFS058I STOP COMMAND IN PROGRESS  
DFS0569I PSTOP OR STOP COMPLETE FOR REGION0002 TRAN TXCDRN24.

Explanation: A QC status code was returned to the WFI application program DDLTRN24.

Entry ET:

/DISPLAY A

Response ET:

REGID	JOBNAME	TYPE	TRAN/STEP	PROGRAM	STATUS	CLASS
2	MPP	TP	WAITING			1, 2
1	BMP	BMP	BMP	BMP255		
	FPRGN	FP	NONE			
	DBR1CT13	DBRC				
VTAM ACB CLOSED						
LINE	ACTIVE-IN	-	1	ACTIV-OUT	-	0
NODE	ACTIVE-IN	-	0	ACTIV-OUT	-	0
LINK	ACTIVE-IN	-	0	ACTIV-OUT	-	0
*89041/150206*						

Explanation: The WFI application has been terminated but the region is still active.

Entry ET:

/DISPLAY TRANSACTION TXCDRN24

Response ET:

```

TRAN  CLS  ENQCT  QCT  LCT  PLCT  CP  NP  LP  SEGSZ  SEGNO  PARLM  RC
TXCDRN24  2    4    0 65535 65535  1  1  1    0    0    0  0
      PSBNAME: DDLTRN24
      *90340/150219*

```

Explanation: The transaction is not stopped.

## Example 21 for /STOP Command

Entry ET:

```
/DISPLAY A
```

Response ET:

```

REGID JOBNAME  TYPE  TRAN/STEP  PROGRAM  STATUS  CLASS
  2  MPP      TP    TXCDRN24  DDLTRN24  WAIT-INPUT  1,  2
  1  BMP      BMP    BMP      BMP255
      FPRGN    FP    NONE
      DBR1CT13  DBRC
VTAM ACB CLOSED
LINE ACTIVE-IN - 1 ACTIV-OUT - 0
NODE ACTIVE-IN - 0 ACTIV-OUT - 0
LINK ACTIVE-IN - 0 ACTIV-OUT - 0
*89041/150813*

```

Entry ET:

```
/STOP REGION 2 TRANSACTION TRAN255
```

Response ET:

```

DFS058I STOP COMMAND IN PROGRESS
DFS0558I TRAN TRAN255 NOT SCHEDULED

```

Explanation: TRAN255 is a valid transaction for the IMS system but it is not currently scheduled in region 2. If TRAN255 had not been a valid transaction for the IMS system, only message DFS230I (TRAN SPECIFIED WITH ABDUMP OR TRAN KEYWORD IS NOT VALID) would have been issued.

## Example 22 for /STOP Command

Entry ET:

```
D A,L
```

Response ET:

```

JOBS    M/S    TS USERS    SYSAS    INITS    ACTIVE/MAX VTAM    OAS
00001   00010   00001     00019   00020   00001/00020   00000
LLA     LLA     LLA     NSW S   VLF     VLF     VLF     NSW S
JES2    JES2    IEFPROC  NSW S   RMF     RMF     IEFPROC  NSW S
IMSVTAM IMSVTAM  IEFPROC  NSW S   TSO     TSO     STEP1   NSW S
CQS     CQS     IEFPROC  NSW S   IMSECTA9 IMSECTA9 IEFPROC  NSW S
DLIECTA9 DLIECTA9 DLISAS   NSW S   DBRECTA9 DBRECTA9 DBRC    NSW S
MPP610C MPP     MPP     NSW J
USRT001 OWT

```

Explanation: MPP610C is an IMS message processing region.

Entry ET:

```
/STOP REGION JOBNAME MPP610C
```

Response ET:

```

DFS058I STOP COMMAND IN PROGRESS
DFS552I MESSAGE REGION MPP610C STOPPED ID=00001 TIME=1616 SYSX

SMF000I MPP610C MPP DFSRRC00 0000
$HASP395 MPP610C ENDED

```

## Example 23 for /STOP Command

Entry ET:

```
/STOP SB
```

Response ET:

```
DFS058 STOP COMMAND COMPLETED
```

Entry ET:

```
/DISPLAY POOL DBAS
```

Response ET:

```

SEQUENTIAL BUFFERING: STATUS = STOPPED
MAX      N.A.  FREE  N.A.  CURR  OK  HIGH  320K
DATABASE BUFFER POOL: SIZE  67584
REQ1     0 REQ2  0 READ  0 BISAM  0 WRITES  0
KEYC     0 LCYL  0 PURG  0 OWNRR  0 ERRORS 00/00
DATABASE BUFFER POOL: BSIZE 12288
RRBA     0 RKEY  0 BFALT  0 NREC  0 SYN PTS  0
NMBUFS  29 VRDS  0 FOUND  0 VWTS  0 ERRORS 00/00
DATABASE BUFFER POOL: BSIZE 356352
RRBA     0 RKEY  0 BFALT  0 NREC  0 SYN PTS  0
NMBUFS  29 VRDS  0 FOUND  0 VWTS  0 ERRORS 00/00
*90253/104547*

```

Explanation: Sequential buffering is stopped.

## Example 24 for /STOP Command

Entry ET:

```
/STOP SUBSYS ALL
```

Response ET:

```
DFS058I STOP COMMAND IN PROGRESS
```

Explanation: IMS has initiated the termination of the connection. When all dependent regions have terminated their connections, IMS will complete the termination. It is likely that an external subsystem message indicating connection termination will be received at this time.

## Example 25 for /STOP Command

Entry ET:

```
/STOP SUBSYS XXX1 XXX3
```

Response ET:

```
DFS058I STOP COMMAND IN PROGRESS
```

Explanation: IMS has initiated the termination of the connection. When all dependent regions have terminated their connections, IMS will complete the termination. It is likely that an external subsystem message indicating connection termination will be received at this time

**Example 26 for /STOP Command**

Entry ET:

/DISPLAY A THREAD

Response ET:

REGID	JOBNAME	TYPE	TRAN/STEP	PROGRAM	STATUS	CLASS
	BATCHREG	BMP	NONE			
	FPRGN	FP	NONE			
2	CICS1A	DBT	IEFPROC	BMP255	ACTIVE	
3	CICS1A	DBT	IEFPROC	PLVAPZ12	ACTIVE	
1	CICS1A	DBT	IEPROC		AVAILABLE	
	DBRCHTA1	DBRC				
	DLICHTA1	DLS				

\*00082/142907\*

Entry ET:

/STOP THREAD 2

Response ET:

DFS058I STOP COMMAND IN PROGRESS  
 DFS0556I COMMAND REJECTED; DBCTL THREAD IS ACTIVE

**Example 27 for /STOP Command**

Entry ET:

/DISPLAY A THREAD

Response ET:

REGID	JOBNAME	TYPE	TRAN/STEP	PROGRAM	STATUS	CLASS
	BATCHREG	BMP	NONE			
	FPRGN	FP	NONE			
2	CICS1A	DBT	IEFPROC	BMP255	ACTIVE	
3	CICS1A	DBT	IEFPROC	PLVAPZ12	ACTIVE	
1	CICS1A	DBT	IEFPROC		AVAILABLE	
	DBRCHTA1	DBRC				
	DLICHTA1	DLS				

\*00082/143027\*

Entry ET:

/STOP THREAD 1

Response ET:

DFS058I STOP COMMAND IN PROGRESS

Entry ET:

/DISPLAY A THREAD

Response ET:

REGID	JOBNAME	TYPE	TRAN/STEP	PROGRAM	STATUS	CLASS
	BATCHREG	BMP	NONE			
	FPRGN	FP	NONE			
2	CICS1A	DBT	IEFPROC	BMP255	ACTIVE	
3	CICS1A	DBT	IEFPROC	PLVAPZ12	ACTIVE	
	DBRCHTA1	DBRC				
	DLICHTA1	DLS				

\*00082/143055\*

**Example 28 for /STOP Command**

Entry ET:

/DISPLAY A THREAD

Response ET:

REGID	JOBNAME	TYPE	TRAN/STEP	PROGRAM	STATUS	CLASS
	BATCHREG	BMP	NONE			
	FPRGN	FP	NONE			
2	CICS1A	DBT	IEFPROC	BMP255	ACTIVE	
3	CICS1A	DBT	IEFPROC	PLVAPZ12	ACTIVE	
	DBRCHTA1	DBRC				
	DLICHTA1	DLS				

\*00082/144731\*

Entry ET:

/STOP THREAD 2 ABDUMP

Response ET:

/DFS058I STOP COMMAND IN PROGRESS

Response ET:

DFS554A	CICS1A	00002	IEFPROC	BMP255	(3)	000,0474	20
/082 14:49:11		RTKN=	CICS1	B3C81CB789F4BE83			

Entry ET:

/DISPALY A THREAD

Response ET:

REGID	JOBNAME	TYPE	TRAN/STEP	PROGRAM	STATUS	CLASS
	BATCHREG	BMP	NONE			
	FPRGN	FP	NONE			
3	CICS1A	DBT	IEFPROC	PLVAPZ12	ACTIVE	
	DBRCHTA1	DBRC				
	DLICHTA1	DLS				

\*00082/145038\*

**Example 29 for /STOP Command**

Entry ET:

/STO TMEMBER CLIENT1 TPIPE TPIPESY

Response ET:

DFS058I 15:38:03 STOP COMMAND COMPLETED SYS3  
 DFS996I \*IMS READY\* SYS3

**Example 30 for /STOP Command**

Entry ET:

/STOP TRANSACTION ALL CLASS 6

Response ET:

DFS058I STOP COMMAND COMPLETED

Explanation: All transactions associated with class 6 will be marked as stopped and all class 6 transactions are no longer available for scheduling. All message

processing regions currently processing class 6 transactions are allowed to run until the processing limit count is reached or the input queue contains no more messages.

### Example 31 for /STOP Command

Entry ET:

```
/STOP TRANSACTION PIT, SEED
```

Response ET:

```
DFS058I STOP COMMAND COMPLETED
```

Explanation: Transaction codes PIT and SEED are stopped.

### Example 32 for /STOP Command

Entry ET:

```
/DISPLAY USER IMS*
```

Response ET:

USER	ENQCT	DEQCT	QCT	SYS3
IMSUS06	0	0	0	ALLOC(DTSLU602)
IMSUS04	0	0	0	ALLOC(DTSLU603)
IMSUS03	0	0	0	ALLOC(DTSLU601)
IMSUS02	0	0	0	ALLOC(DTSLU202)
IMSUS01	0	0	0	ALLOC(DTSLU201)
IMSUS09	N/A	N/A	N/A	ALLOC(ENDS02 ) STATIC
IMSUS08	N/A	N/A	N/A	ALLOC(ENDS01 ) STATIC
IMSUS11	N/A	N/A	N/A	ALLOC(ENDS03 ) STATIC
IMSUS10	N/A	N/A	N/A	ALLOC(OMSSLU2A) STATIC

\*91091/111454\*

Entry ET:

```
/STOP USER IMSUS01 IMSUS02
```

Response ET:

```
DFS058I 11:16:24 STOP COMMAND COMPLETED
```

Entry ET:

```
/STOP USER HELLO%
```

Response ET:

```
DFS3633 11:18:25 GENERIC PARAMETER RESOURCES NOT FOUND, NO ACTION TAKEN
```

Entry ET:

```
/DISPLAY USER IMSUS01 IMSUS02
```

Response ET:

USER	ENQCT	DEQCT	QCT
IMSUS01	0	0	0 STOPPED
IMSUS02	0	0	0 STOPPED

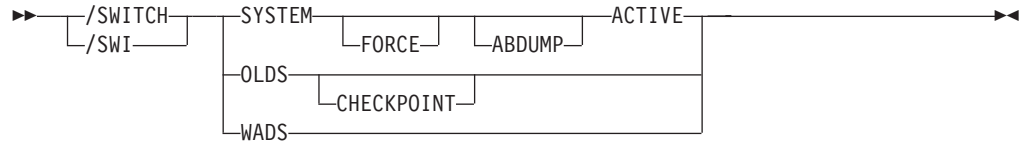
\*91091/111727\*



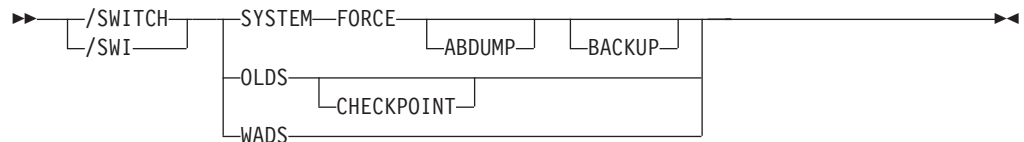
## Chapter 60. /SWITCH

### Format

#### /SWITCH for an Active XRF Subsystem



#### /SWITCH for an Alternate XRF Subsystem



### Environments and Keywords

Table 152 lists the environments (DB/DC, DBCTL, and DCCTL) from which the command and keywords can be issued.

Table 152. Valid Environments for the /SWITCH Command and Keywords

Command / Keywords	DB/DC	DBCTL	DCCTL
/SWITCH	X	X	X
ABDUMP	X		X
ACTIVE	X		X
BACKUP	X		X
CHECKPOINT	X	X	X
FORCE	X		X
OLDS	X	X	X
SYSTEM	X		X
WADS	X	X	X

### Usage

The /SWITCH command is used to switch active data sets or change between the active and alternate systems. Certain combinations of keywords are valid only in the active or alternate systems, as shown in the format in the syntax diagram. For a list of the commands recovered, see "Commands Recovered During Emergency Restart" on page 26.

#### SYSTEM

Requests a takeover by the alternate system from the current active system in an XRF environment.

**/SWITCH SYSTEM** without the **FORCE** keyword causes the active system to attempt to gracefully quiesce before the alternate system becomes active. System activity currently in progress is allowed to complete. New activity is queued. This disables surveillance on the active system, but not the alternate. Therefore, surveillance (if enabled) will eventually trigger a takeover if it does not eventually quiesce.

Unless the optional **FORCE** keyword is specified, the command is only operable when entered on the active system.

**FORCE**

Causes an immediate termination of the active system, forcing the alternate system to become the active.

**ABDUMP**

Results in a diagnostic dump of the active system when entered from either the active system or the alternate system (if it is on the same processor as the active system).

**ACTIVE, BACKUP**

Indicates the system on which the command is being entered. The keyword **ACTIVE** is required when the command is entered on an active system. The keyword **BACKUP** is optional when the command is entered on an alternate system. **/SWITCH SYSTEM FORCE**, without the **ACTIVE** keyword, can only be entered on an alternate system. This prevents the inadvertent abend of a newly created active system that is mistakenly assumed to still be the alternate system.

**OLDS, CHECKPOINT**

Causes switching of the active log data set. This log switch capability is identical to that provided with **/DBDUMP** and **/DBRECOVERY** commands. You can specify the **CHECKPOINT** keyword to take a simple checkpoint after the active log data set has been switched to the next **OLDS**. The **/SWITCH OLDS CHECKPOINT** command operates in all IMS environments.

**WADS**

Causes switching of the active write-ahead log data set. If you are using dual logging for the **WADS**, this command causes IMS to use the next available **WADS** pair.

This command is rejected if no unused **WADS** is available, or for dual logging, if no unused pair of **WADS** is available.

---

## Examples

### Example 1 for **/SWITCH** Command

Entry ET:

```
/SWITCH OLDS
```

Response ET:

```
DFS3257I ONLINE LOG NOW SWITCHED  
DFS058I 17:10:51 SWITCH COMMAND COMPLETED
```

Entry ET:

```
/SWITCH OLDS CHECKPOINT
```

Response ET:

```
DFS3257I ONLINE LOG NOW SWITCHED - FROM DFSOLP01 TO DFSOLP02
DFS058I 17:12:53 SWITCH COMMAND COMPLETED
```

```
DFS2719I MSDB CHECKPOINT WRITTEN TO MSDBCP2
DFS994I *CHKPT 91057/171254**SIMPLE*
DFS3499I ACTIVE DDNAMES: MODBLKSA IMSACBA FORMATA MODSTAT ID: 1
DFS3804I LATEST RESTART CHKPT: 91057/132000, LATEST BUILDQ CHKPT:
91057/132414
```

## Example 2 for /SWITCH Command

Entry ET (Master Terminal for active system IMSA):

```
/SWITCH SYSTEM FORCE
```

Response ET:

A response message is not returned for the /SWITCH SYSTEM FORCE command. Any further input to the master terminal of the active system is inhibited.

Response RT (z/OS console for active system IMSA):

The z/OS console for the active system will show a user 0604 abend in progress for IMSA. If the ABDUMP keyword had been included on the above /SWITCH command, the 0604 abend would be accompanied by a diagnostic dump of the active system.

Response RT (master terminal for alternate system IMSB):

Figure 6 is a screen that shows some of the messages associated with the beginning of takeover on the alternate system.

```
02/05/15 15:28:27 RSENAME: DFSRSENM BACKUP TAKEOVER IN PROGRESS IMSB
DFS3890I 15:27:18 TAKEOVER REQUESTED
DFS970I 15:28:05 UNEXPECTED STATUS ,NODE APPLA ,USER N/A ,SEND ,RC
=14,FDB2=13,NSECIT =29,SENSE=00000000,REASON=00
DFS3257I ONLINE LOG CLOSED ON DFSOLP00
DFS3891I 15:28:18 TAKEOVER IN PROGRESS

DFS2591I NO MSDB HEADERS FOUND, IMAGE COPY LOAD IGNORED
DFS3839I 14:26:46 XRF INITIAL DB PRE-OPEN COMPLETE.
DFS3838I 14:28:41 XRF INITIAL DC PRE-OPEN COMPLETE.
```

PASSWORD:

Figure 6. Alternate System at Start of Takeover

Intermediate screens are not shown. They would indicate such takeover functions as:

- Enabling of dependent region processing
- IRLM takeover
- Backout processing
- Draining of suspend queue

- Session switching

Figure 7 is a screen that show takeover is complete.

```
02/05/15 15:30:59 RSENAME: DFSRSENM ACTIVE AWAITING I/O PREVENTION IMSB
DFS2716I NO MSDBS FOUND - NO MSDB CHECKPOINT TAKEN
DFS994I *CHKPT 85135/152931**SIMPLE**
DFS3499I ACTIVE DDNAMES: MODBLKSA IMSACBA FORMATA MODSTAT ID: 11
DFS3804I LAST CHKPT ID VALID FOR RESTART: 85135/152931-BUILDQ: 85135/142629

DFS994I TAKEOVER COMPLETED.
DFS3859I 15:29:19 PRIORITY 4 SESSIONS SWITCHED.
DFS3860I 15:29:19 ALL TERMINAL SESSIONS SWITCHED.
-----

                                PASSWORD:
```

*Figure 7. Newly Created Active System after Takeover*

Takeover is complete and the alternate system is now an active system. The XRF environment status line indicates that the newly created active system is running in I/O toleration mode (awaiting I/O prevention). For a more complete description of I/O toleration and I/O prevention, see the *IMS Version 9: Operations Guide*.

# Chapter 61. TERMINATE

## Format

### TERMINATE OLC



## Environments and Keywords

Table 153 lists the environments (DB/DC, DBCTL, and DCCTL) from which the TERMINATE command can be issued.

Table 153. Valid Environments for the TERMINATE OLC Command

Command / Keyword	DB/DC	DBCTL	DCCTL
TERMINATE OLC	x	x	x

## TERMINATE OLC

2 When the TERMINATE OLC (stop online change) command is issued by an IMS  
 2 command master that is running with RM services (RMENV=Y), the command  
 2 terminates a global online change and coordinates with all of the IMSs in the  
 2 IMSplex.

2 If an IMS is not running with RM services (RMENV=N), the TERMINATE OLC  
 2 command terminates an online change for that IMS only. If an IMS system is not  
 2 running with RM, each IMS must have a unique OLCSTAT data set which cannot  
 2 be shared. If the OLCSTAT data set contains the name of an IMS other than the  
 2 one that is processing the online change, TERMINATE OLC is rejected because the  
 2 OLCSTAT data set is invalid for the environment. To determine which IMS member  
 2 names are invalid, issue the QUERY OLC command to display the contents of the  
 2 OLCSTAT data set. You can use the OLC utility, DFSUOLC0, to correct the data  
 2 set.

2 Each IMS system that does not have RM services and participates in global online  
 2 change, must separately issue the TERMINATE OLC command. In a no RM  
 2 environment, if more than one IMS is specified in the route list for the TERMINATE  
 2 OLC or the default of route all is specified, online change is only performed for the  
 2 IMS command master. To determine which IMSs are defined with RMENVNO, issue  
 2 a QUERY MEMBER SHOW(ATTRIB) command.

A TERMINATE OLC command that aborts a global online change is similar to the /MODIFY ABORT command, except that it applies to all of the IMSs in an IMSplex that are participating in the global online change.

This command may be specified only through the OM API. OM sends the TERMINATE OLC command to an IMS in the IMSplex.

TERMINATE OLC can be used to abort an IMSplex-wide global online change initiated by a INITIATE OLC PHASE(PREPARE) command, before the online change is successfully committed with a INITIATE OLC PHASE(COMMIT) command.

TERMINATE OLC can be used to abort an online change after an INITIATE OLC PHASE(COMMIT) failure that occurs before the OLCSTAT data set is updated. Once the commit process has updated the OLCSTAT data set, the online change is considered to be successful and cannot be aborted.

TERMINATE OLC is not supported if local online change is enabled. The TERMINATE OLC command is rejected if the IMS to which the command is routed does not support global online change. If this occurs and there is an IMS that supports global online change, the user must route the command to a specific IMS that supports global online change.

The TERMINATE OLC command is invalid on the XRF alternate, RSR tracker, and FDR system.

The OM command time-out default of 300 seconds (5 minutes) may not be enough time for the online change phase to complete. It may be required to specify a time-out value on the command based on the needs of the installation.

The command syntax for this command is defined in XML and is available to automation programs which communicate with OM.

## TERMINATE OLC Output Fields

Table 154 shows the output fields for a TERMINATE OLC command. The columns in the table are as follows:

**Short Label**

Contains the short label generated in the XML output.

**Keyword**

Identifies keywords on the command that caused the field to be generated. N/A appears for output fields that are always returned.

**Meaning**

Provides a brief description of the output field.

Table 154. Output Fields for the TERMINATE Command

SHORT LABEL	KEYWORD	MEANING
MBR	N/A	IMSplex member that built the line of output. IMS identifier of the IMS that was master of the abort phase. IMS identifier is always returned.
IMSMBR	N/A	IMS member that performed the global online change phase. The IMS member name is always returned.
CC	N/A	Completion code from the IMS member that performed the online change phase. Completion code is always returned.
ERRT	N/A	Error text associated with a nonzero completion code returned by the IMS member that performed the online change phase. Error text may be returned if the completion code is nonzero.

## Return, Reason, and Completion Codes for TERMINATE OLC

The OM return and reason codes that may be returned as a result of this command are standard for all commands entered through the OM API. Refer to the OM CSLOMCMC Return and Reason code section for the list of codes and their meanings.

An IMS return and reason code is returned to OM by the TERMINATE OLC command.

Some reason codes are accompanied by a complete list of IMSs and completion codes. The reason code meaning indicates whether a list is returned. A partial list of IMSs and completion codes may be returned with any TERMINATE OLC error reason code, if any output was built before the error was detected.

Table 155 contains the return and reason codes that can be returned to OM by the TERMINATE OLC command.

Table 155. Return and Reason Codes for the TERMINATE Command

Return Code	Reason Code	Meaning
X'00000000'	X'00000000'	<p>The TERMINATE OLC command completed successfully. The TERMINATE OLC command is applied to all of the IMSs listed in the OLCSTAT data set. All of the IMSs in the IMSplex are no longer in an online change state.</p> <p>An output line is built for each IMS listed in the OLCSTAT data set. Each output line contains the IMS member name and a completion code of zero.</p>
X'00000004'	X'0000100C'	<p>The TERMINATE OLC command completed successfully, but was not applicable to one or more IMSs for acceptable reasons. The TERMINATE OLC command applies to all of the IMSs listed in the OLCSTAT data set.</p> <p>An output line is built for each IMS listed in the OLCSTAT data set. Each output line contains the IMS member name and a completion code. A nonzero completion code may be accompanied by error text. One or more of the IMSs contain a completion code indicating the terminate online change did not apply to this IMS, such as the IMS state is abended, the IMS state is shutdown, or this IMS is already in the correct online change state. The TERMINATE OLC completion code table contains the list of completion codes and error text that can be returned by the TERMINATE OLC command.</p>
X'0000000C'	X'00003000'	<p>The TERMINATE OLC command is successful for at least one IMS but not all IMSs. The TERMINATE OLC command applies to all IMSs listed in the OLCSTAT data set.</p> <p>An output line is built for each IMS listed in the OLCSTAT data set. Each output line contains the IMS member name and a completion code. A nonzero completion code may be accompanied by error text. One or more of the IMSs returned an error completion code. The TERMINATE OLC completion code table contains the list of completion codes and error text that can be returned by the TERMINATE OLC command.</p> <p>If the TERMINATE OLC command fails for one or more IMSs, correct the problem and issue the TERMINATE OLC command again.</p> <p>See 'TERMINATE OLC error handling' for more details.</p>

Table 155. Return and Reason Codes for the TERMINATE Command (continued)

Return Code	Reason Code	Meaning
X'0000000C'	X'00003004'	<p>The TERMINATE OLC command failed for all of the IMSs. The TERMINATE OLC command applies to all of the IMSs listed in the OLCSTAT data set.</p> <p>An output line is built for each IMS listed in the OLCSTAT data set. Each output line contains the IMS member name and a completion code. A nonzero completion code may be accompanied by error text. All of the IMSs returned an error completion code. The TERMINATE OLC completion code table contains the list of completion codes and error text that can be returned by the TERMINATE OLC command.</p> <p>If the TERMINATE OLC command fails for one or more IMSs, correct the problem and issue the TERMINATE OLC command again.</p> <p>See 'TERMINATE OLC error handling' for more details.</p>
X'00000010'	X'00004004'	<p>The TERMINATE OLC command failed because there is no CQS. RM attempted to access the process resource on the resource structure, but it failed because CQS is not available. The online change phase may have succeeded on one or more IMSs.</p> <p>See 'TERMINATE OLC error handling' for more details.</p>
X'00000010'	X'0000400C'	<p>The TERMINATE OLC command failed because it is invalid for an XRF alternate.</p>
X'00000010'	X'00004014'	<p>The TERMINATE OLC command failed because it is invalid for an RSR tracker.</p>
X'00000010'	X'00004018'	<p>The TERMINATE OLC command failed because the RM resource structure is not available. One or more IMSs in the IMSplex may still be in an online change state.</p> <p>See 'TERMINATE OLC error handling' for more details.</p>
X'00000010'	X'0000401C'	<p>The TERMINATE OLC command failed because it is invalid for an FDR region.</p>
X'00000010'	X'00004100'	<p>The TERMINATE OLC command is rejected because the resource structure is full. RM failed trying to create the process resource on the resource structure. One or more IMSs may still be in an online change state.</p> <p>See 'TERMINATE OLC error handling' for more details.</p>
X'00000010'	X'00004104'	<p>The TERMINATE OLC command failed because RM is not available. The online change phase may have succeeded on one or more IMSs'. Either there is no RM address space, or RM is active but not registered to SCI because CQS or the resource structure is not available.</p> <p>See 'TERMINATE OLC error handling' for more details.</p>
X'00000010'	X'00004108'	<p>The TERMINATE OLC command failed because SCI is not available. One or more IMSs may still be in an online change state.</p> <p>See 'TERMINATE OLC error handling' for more details.</p>
X'00000010'	X'0000410C'	<p>The TERMINATE OLC command is rejected, because global online change is not enabled. Local online change is enabled. Use the /MODIFY command for local online change. If your IMSplex is made up of some IMSs that support global online change and some that support local online change, route the TERMINATE OLC command to an IMS that is enabled for global online change.</p>



Table 155. Return and Reason Codes for the TERMINATE Command (continued)

Return Code	Reason Code	Meaning
X'00000010'	X'00004110'	The TERMINATE OLC command is rejected, because the command does not apply to the online change state of the command master.  TERMINATE OLC is rejected if the command master is not in an online change state.  TERMINATE OLC is rejected if the command master has already committed the online change.  See 'TERMINATE OLC error handling' for more details.
2 2 X'00000010'	X'0000412C'	The OLCSTAT data set contains the name of an IMS other than the IMS processing the online change. Use DFSUOLC0 to correct the data set.
X'00000010'	X'00004114'	The TERMINATE OLC command failed because of an error accessing the OLCSTAT data set. One or more IMSs in the IMSplex may still be in an online change state.  A DFS2843 message is sent to the OM output exit as unsolicited output.  See 'TERMINATE OLC error handling' for more details.
X'00000010'	X'00004118'	The TERMINATE OLC command failed because of an error allocating the OLCSTAT data set. One or more IMSs in the IMSplex may still be in an online change state.  A DFS2848 message is sent to the OM output exit as unsolicited output.  See 'TERMINATE OLC error handling' for more details.
X'00000010'	X'0000411C'	The TERMINATE OLC command failed because of an error in the OLCSTAT data set contents. One or more of the values is invalid.  A DFS2844 message is sent to the OM output exit as unsolicited output.
X'00000010'	X'00004120'	The TERMINATE OLC command is rejected because an online change phase is already in progress on this IMS, which may be INITIATE OLC, TERMINATE OLC, or /DISPLAY MODIFY.
X'00000014'	X'00005000'	The TERMINATE OLC command is rejected because an IMODULE GETSTOR storage request failed.
X'00000014'	X'00005004'	The TERMINATE OLC command failed because a DFSOCMD response buffer could not be obtained. One or more IMSs in the IMSplex may still be in an online change state.  See 'TERMINATE OLC error handling' for more details.
X'00000014'	X'00005100'	The TERMINATE OLC command failed because of an RM error. One or more IMSs in the IMSplex may still be in an online change state.  See 'TERMINATE OLC error handling' for more details.
X'00000014'	X'00005104'	The TERMINATE OLC command failed because of a CQS error. One or more IMSs in the IMSplex may still be in an online change state.  See 'TERMINATE OLC error handling' for more details.
X'00000014'	X'00005108'	The TERMINATE OLC command failed because of an SCI error. One or more IMSs in the IMSplex might still be in an online change state.  See 'TERMINATE OLC error handling' for more details.

Table 155. Return and Reason Codes for the TERMINATE Command (continued)

Return Code	Reason Code	Meaning
X'00000014'	X'00005FFF'	The TERMINATE OLC command failed because of an internal IMS error. One or more IMSs in the IMSplex might still be in an online change state.  See 'TERMINATE OLC error handling' for more details.

## TERMINATE OLC Error Handling

Errors unique to the processing of this command are returned as a completion code. A completion code is returned for each action against an individual resource.

The TERMINATE OLC command may result in an error that leaves IMSs in various online change states. Correct the error. Issue the QUERY MEMBER TYPE(IMS) SHOW(STATUS) command to display the online change state of all the IMSs in the IMSplex. Evaluate the QUERY MEMBER TYPE(IMS) output to help you determine what to do:

- None of the IMSs in an online change state  
The TERMINATE OLC command succeeded or was not applicable. No further action needs to be taken.
- Some of the IMSs in a prepare complete state  
The online change is not committed. Correct the problem that caused TERMINATE OLC to fail, then retry the TERMINATE OLC command again.  
The IMSs that are in an online change state remain in an online change state until you abort the online change.
- All IMSs in a prepare complete state  
The online change is not committed. Correct the problem that caused TERMINATE OLC to fail, then retry the TERMINATE OLC command again.  
The IMSs that are in an online change state remain in an online change state until you abort the online change.
- Some IMSs in prepare complete and commit phase 1 complete state  
The commit phase failed before the master updated the OLCSTAT data set, so the online change is not committed. Correct the problem that caused TERMINATE OLC to fail and retry the TERMINATE OLC command.  
The IMSs that are in an online change state remain in an online change state until you abort the online change.
- All IMSs in commit phase 1 complete state.  
If the commit phase failed before the master updated the OLCSTAT data set, the online change is not committed. Correct the problem that caused TERMINATE OLC to fail and retry the TERMINATE OLC command.  
If the commit phase failed after the master updated the OLCSTAT data set, the online change is committed. The TERMINATE OLC command is not permitted. You must correct the problem that caused the commit command to fail and retry INITIATE OLC PHASE(COMMIT).  
The IMSs that are in an online change state remain in an online change state until you abort the online change or commit the online change.  
You can determine whether the OLCSTAT data set has been updated by the modify id. Issue the QUERY OLC LIBRARY(OLCSTAT) SHOW(MODID) command. Check if the modify id returned is different from the modify id returned by the INITIATE

OLC PHASE(PREPARE) command, or the modify id returned by a QUERY OLC LIBRARY(OLCSTAT) SHOW(MODID) command issued before the INITIATE OLC PHASE(COMMIT) command.

- Some IMSs in commit phase 1 complete state and some in commit phase 2 complete state

The online change is committed. The TERMINATE OLC command is not permitted. You must correct the problem that caused the commit command to fail and retry INITIATE OLC PHASE(COMMIT).

The IMSs that are in an online change state remain in an online change state until you finish the online change with an INITIATE OLC PHASE(COMMIT) command.

- All IMSs in commit phase 2 complete state

The online change is committed. The TERMINATE OLC command is not permitted. You must correct the problem that caused the commit command to fail and retry INITIATE OLC PHASE(COMMIT).

The IMSs that are in an online change state remain in an online change state until you finish the online change with an INITIATE OLC PHASE(COMMIT) command.

- Some IMSs in commit phase 2 complete state and some not in online change state.

The online change is committed. The TERMINATE OLC command is not permitted. You must correct the problem that caused the commit command to fail and retry INITIATE OLC PHASE(COMMIT).

The IMSs that are in an online change state remain in an online change state until you finish the online change with an INITIATE OLC PHASE(COMMIT) command.

Errors unique to the processing of this command are returned as a completion code. A completion code is returned for an IMS participating in the online change phase.

Table 156 contains the completion codes that can be returned on a TERMINATE OLC command, the meaning of the completion code, and any error text associated with the code.

*Table 156. Completion Codes for the TERMINATE Command*

<b>Completion Code</b>	<b>Meaning</b>	<b>ERROR TEXT (upper case)</b>
0	The online change commit or abort phase completed successfully.	
1	The online change type does not apply to this IMS. For example, an ACBLIB online change does not apply to a DCCTL IMS. This IMS does nothing.	

Table 156. Completion Codes for the TERMINATE Command (continued)

Completion Code	Meaning	ERROR TEXT (upper case)
2	The online change phase was not attempted by this IMS for one of the following reasons: <ul style="list-style-type: none"> <li>The online change phase master encountered an error and did not direct this IMS to perform the online change phase.</li> </ul>	
3	This IMS is already in the correct online change state. This IMS does not have to do anything.	
58	An IMS is not registered to RM. An OLCSTAT dataset contains an IMS that is not registered to RM. Terminate fails for that IMS.	
60	IMODULE GETMAIN storage error.	
61	BCB storage error.	
62	HIOP storage error.	
63	WKAP storage error.	
80	Data set error.	Function (8 char), ddname (8 char), return code (8 bytes), and error detail (8 char).  Function can be one of the following: <ul style="list-style-type: none"> <li>OPEN Data set open error.</li> <li>READ Data set read error.</li> </ul> DDname can be OLCSTAT.  Return code is the data set service return code.  Reason code is the data set service reason code.
90	Internal error.	Module name that detected internal error (8 char), unused (8 char), return code or function code (8 bytes), and error detail (8 char).

2

Table 156. Completion Codes for the TERMINATE Command (continued)

Completion Code	Meaning	ERROR TEXT (upper case)
91	The online change commit phase 2 or abort phase timed out before this IMS responded to the online change commit phase 2 or abort phase. The commit phase 2 or abort may have succeeded on this IMS. Issue QUERY MEMBER TYPE(IMS) to determine the online change state of this IMS.	

Table 156. Completion Codes for the TERMINATE Command (continued)

Completion Code	Meaning	ERROR TEXT (upper case)
B2	IMS state error.	<p>IMS state error (32 char). The IMS state can be one of the following:</p> <ul style="list-style-type: none"> <li>• ABENDED This IMS abended since the last successful online change. Online change is terminated on this IMS.</li> <li>• NOT-REACHABLE The online change phase is rejected because this IMS is NOT-REACHABLE. The SCI on the OS image where this IMS is active is down. Restart the SCI and re-issue the INITIATE OLC or TERMINATE OLC command.</li> <li>• OLC ALREADY COMMITTED The online change terminate is rejected because online change is already committed. All IMSs have completed commit phase 1 and the OLCSTAT data set was updated.</li> <li>• OLC NOT IN PROGRESS The IMS is not in an online change state. The request to terminate the online change does not apply to this IMS.</li> <li>• OLC PHASE IN PROGRESS The online change phase is rejected because this IMS has an online change phase already in progress.</li> <li>• RESTART NOT COMPLETE This IMS initialized before the online change was initiated, but has not completed restart. The online prepare or abort phase is rejected as long as this IMS is in this state. Cancel this IMS, then abort the online change before attempting the online change prepare phase again.</li> <li>• SHUTDOWN This IMS shut down normally since the last successful online change. Online change is terminated on this IMS.</li> </ul>

### Example for TERMINATE OLC Command

TSO SPOC input:

TERMINATE OLC

TSO SPOC output:

MbrName	Member	CC
IMS3	IMS2	0
IMS3	IMS3	0
IMS3	SYS3	0

## OM API input:

CMD (TERMINATE OLC)

## OM API output:

```

<imsout>
<ctl>
<omname>OM10M </omname>
<omvsn>1.1.0</omvsn>
<xm1vsn>1 </xm1vsn>
<statime>2002.163 15:49:27.197919</statime>
<stotime>2002.16315:49:27.712209</stotime>
<staseq>B7C4ADFC0D4DF841</staseq>
<stoseq>B7C4ADFC8ADD1F45</stoseq>
<rqsttkn1>USRT011 10084927</rqsttkn1>
<rc>0200000C</rc>
<rsn>00003000</rsn>
</ctl>
<cmderr>
<mbr name="IMS2 ">
<typ>IMS </typ>
<styp>DBDC </styp>
<rc>02000004</rc>
<rsn>00001008</rsn>
</mbr>
<mbr name="SYS3 ">
<typ>IMS </typ>
<styp>DBDC </styp>
<rc>02000004</rc>
<rsn>00001008</rsn>
</mbr>
</cmderr>
<cmd>
<master>IMS3 </master>
<userid>USRT011 </userid>
<verb>TERM</verb>
<kwd>OLC </kwd>
<input>TERMINATE OLC</input>
</cmd>
<cmdrsphdr>
<hdr s1b1="MBR" l1b1="MbrName" scope="LCL" sort="n" key="0" scroll="yes" len="8"
dtype="CHAR" align="left" />
<hdr s1b1="MSMBR" l1b1="Member" scope="LCL" sort="a" key="1" scroll="no" len="8"
dtype="CHAR" align="left" />
<hdr s1b1="CC" l1b1="CC" scope="LCL" sort="n" key="0" scroll="yes" len="4"
dtype="INT" align="right" />
</cmdrsphdr>
<cmdrspdata>
<rsp>MBR(IMS3 ) MSMBR(SYS3 ) CC( 0) </rsp>
<rsp>MBR(IMS3 ) MSMBR(IMS2 ) CC( 0) </rsp>
<rsp>MBR(IMS3 ) MSMBR(IMS3 ) CC( 0) </rsp>
</cmdrspdata>
</imsout>

```

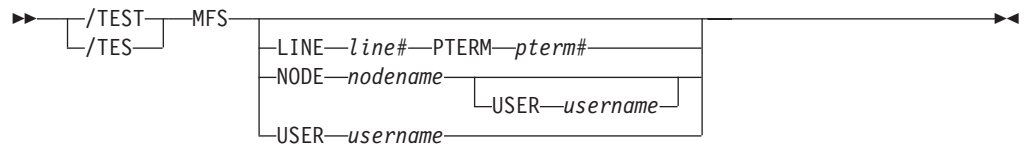
Explanation: Global online change was aborted for the IMSplex after a successful INITIATE OLC PHASE(PREPARE) command. Global online change was successfully terminated.





## Chapter 62. /TEST

### Format



### Environments and Keywords

Table 157 lists the environments (DB/DC, DBCTL, and DCCTL) from which the command and keywords can be issued.

Table 157. Valid Environments for the /TEST Command and Keywords

Command / Keywords	DB/DC	DBCTL	DCCTL
/TEST	X		X
LINE	X		X
NODE	X		X
PTERM	X		X
USER	X		X

### Usage

The /TEST command places a terminal or user into either test mode or MFSTEST mode.

In test or echo mode, any input from the terminal is sent back. Input and output errors are not checked, and IMS error notification procedures are bypassed. Echo mode continues until reset with an /END, /IAM, /STOP LINE, /STOP LINE PTERM, or a /STOP NODE command. The /DISPLAY command identifies a terminal or user in test mode or MFSTEST mode. If no keywords are supplied, the terminal entering the command is placed into test mode or MFSTEST mode.

Test mode is not a command significant status, so the commands to set test mode are not recoverable nor are they kept after signons and can only be set by the end user or terminal, not remotely by an operator. The /TEST LINE, /TEST NODE, and /TEST USER commands, which set test mode remotely, are no longer supported.

In MFSTEST mode, terminals supported by message format service use format blocks from a special test library if the requested format block is in the test library; otherwise, the blocks are obtained from the production library. MFSTEST mode continues until reset with an /END command. Certain error conditions can occur that cause MFSTEST mode to terminate. If an error condition occurs, the terminal operator receives an error message.

MFSTEST mode is a command significant status, is recoverable and is remembered across logons and signons. For example, if a /TEST MFS NODE command is entered at a node, the node logs off and logs back on at another

terminal, MFSTEST mode is still in effect. If a dynamic user issues a `/TEST MFS USER` command, signs off, and then signs on again at another terminal, MFSTEST mode is still in effect.

`/TEST MFS NODE` applies to dynamic nodes in addition to static nodes because MFSTEST mode is associated with dynamic nodes as well as dynamic users. `/TEST MFS NODE` and `/TEST MFS NODE USER` set MFSTEST mode at the node level. `/TEST MFS USER` sets MFSTEST at the user level. `/TEST MFS` with no keywords sets MFSTEST at the node level for static terminals (they have no user level) and at the user level for dynamic terminals.

The `/TEST NODE USER` command is supported for static and dynamic ISC sessions. For ISC, `/TEST MFS NODE USER` is required. You cannot use `/TEST MFS NODE` (without `USER`) for ISC and have it apply to all of the half-sessions.

If global resource information is kept in Resource Manager, MFSTEST mode is set globally. If global resource information is not kept in Resource Manager, the resource does not exist, and ETO is enabled, the resource (node or user) is created and MFSTEST mode is set. If a temporary node is dynamically created to hold command status, and the temporary node has MFSTEST status, then, when a logon occurs for the node, the MFSTEST status is set for the logged-on node. If the node logging on is an ISC parallel session, MFSTEST is set only for the first half-session that is logged on. Subsequent ISC half-sessions will not be put into MFSTEST mode.

### **MFS**

Specifies MFS test mode for the terminal or user. The MFS parameter is valid only for terminals supported by Message Format Service (MFS). When the `/TEST MFS USER` command is issued for a dynamic user, it is not possible to determine if the MFSTEST mode is valid until the user signs on to a terminal. Once the user signs on to a terminal, a check is made to determine whether that terminal supports MFSTEST mode. If the terminal does not support MFSTEST mode, the mode is not propagated to the terminal and is removed from the USER unless another `/TEST MFS USER` command is issued.

### **LINE, PTERM**

Specifies the BTAM line and pterm to place into MFSTEST mode.

### **NODE**

Specifies the VTAM node to place into MFSTEST mode.

The `/TEST MFS NODE` form of the command is valid only for statically defined nodes.

The `/TEST MFS NODE USER` command is valid for ISC, LUP, and 3600. For ISC, the `/TEST MFS NODE nodename USER username` form of the command is supported for ISC nodes and applies to the half-session allocated to the USER username.

### **USER**

When specified without the NODE keyword, USER specifies the dynamic user to place into MFSTEST mode. MFSTEST mode status is kept from one signon to another. For example, if a user issues a `/TEST MFS` command, signs off, and then signs on again at another terminal, the MFSTEST mode is still in effect. If the user does not exist, it is created and MFSTEST mode is set.

## Examples

### Example 1 for /TEST Command

Entry ET:

```
/TEST
```

Response ET:

```
DFS058I TEST COMMAND COMPLETED
```

Entry ET:

```
NOW IS THE TIME TO COME TO THE AID
```

Response ET:

```
NOW IS THE TIME TO COME TO THE AID
```

Explanation: The entering terminal is placed in echo mode and continues to receive message input as output until test mode is terminated.

### Example 2 for /TEST Command

Entry ET:

```
/TEST MFS
```

Response ET:

```
DFS058I TEST COMMAND COMPLETED
```

Explanation: The entering terminal is placed into MFSTEST mode.



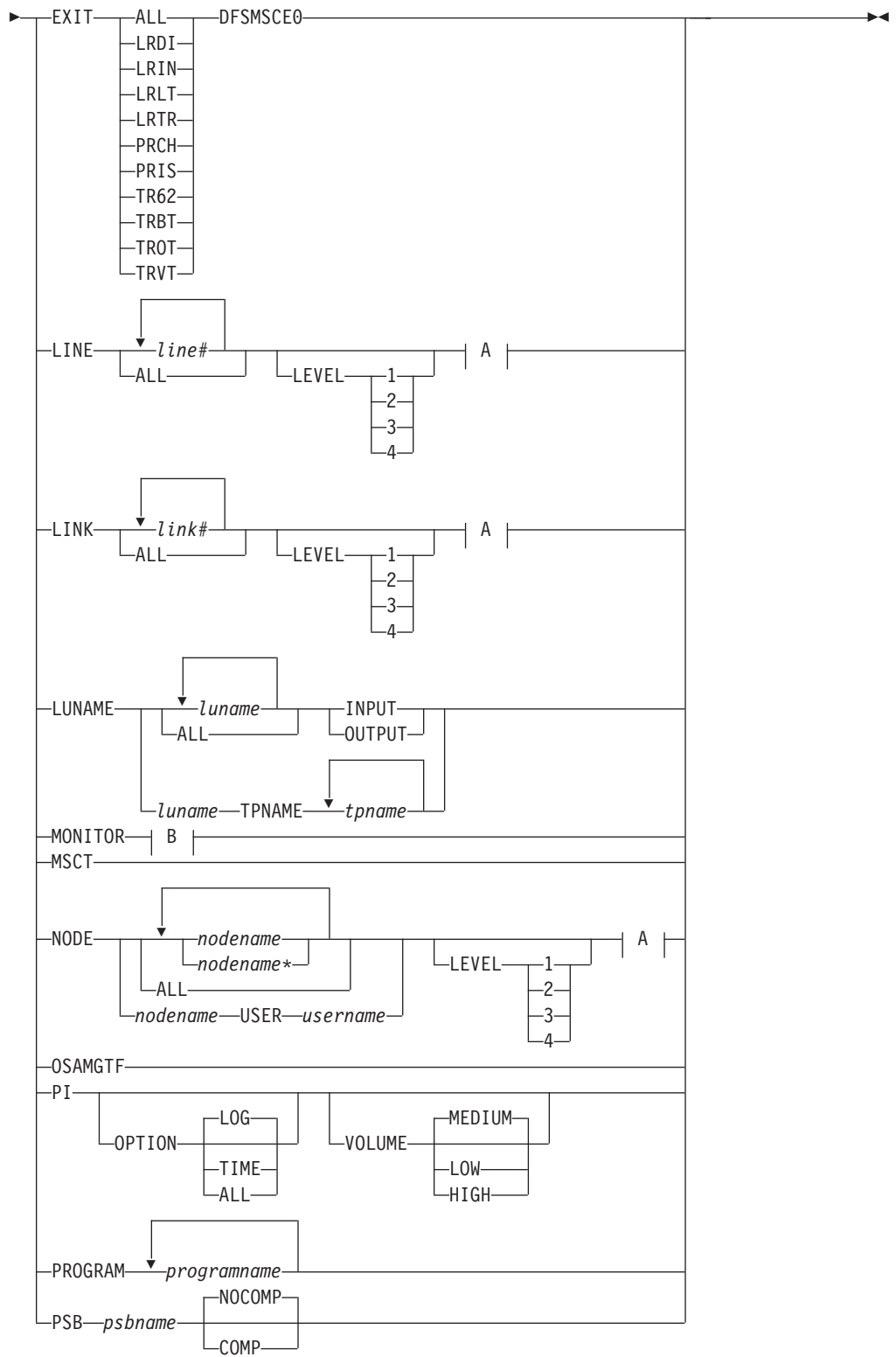
## Chapter 63. /TRACE

---

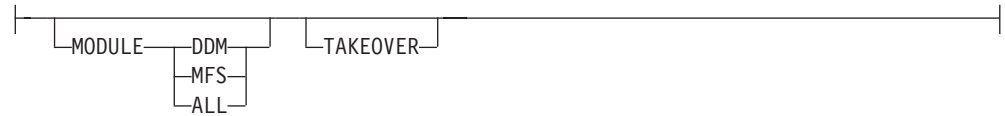
### Format

**/TRACE Command: EXIT through PSB**

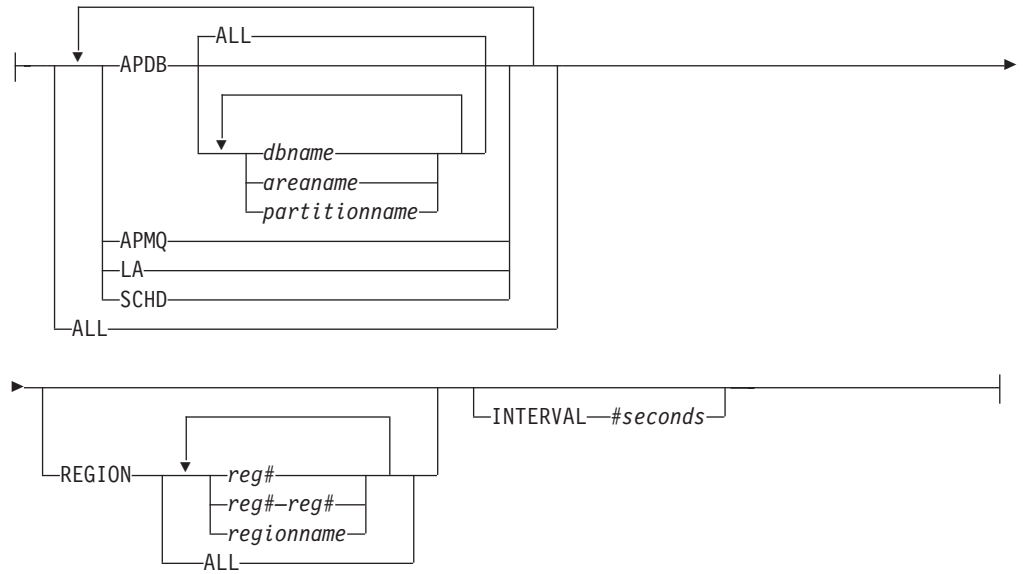




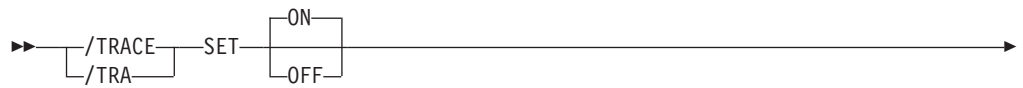
**A:**

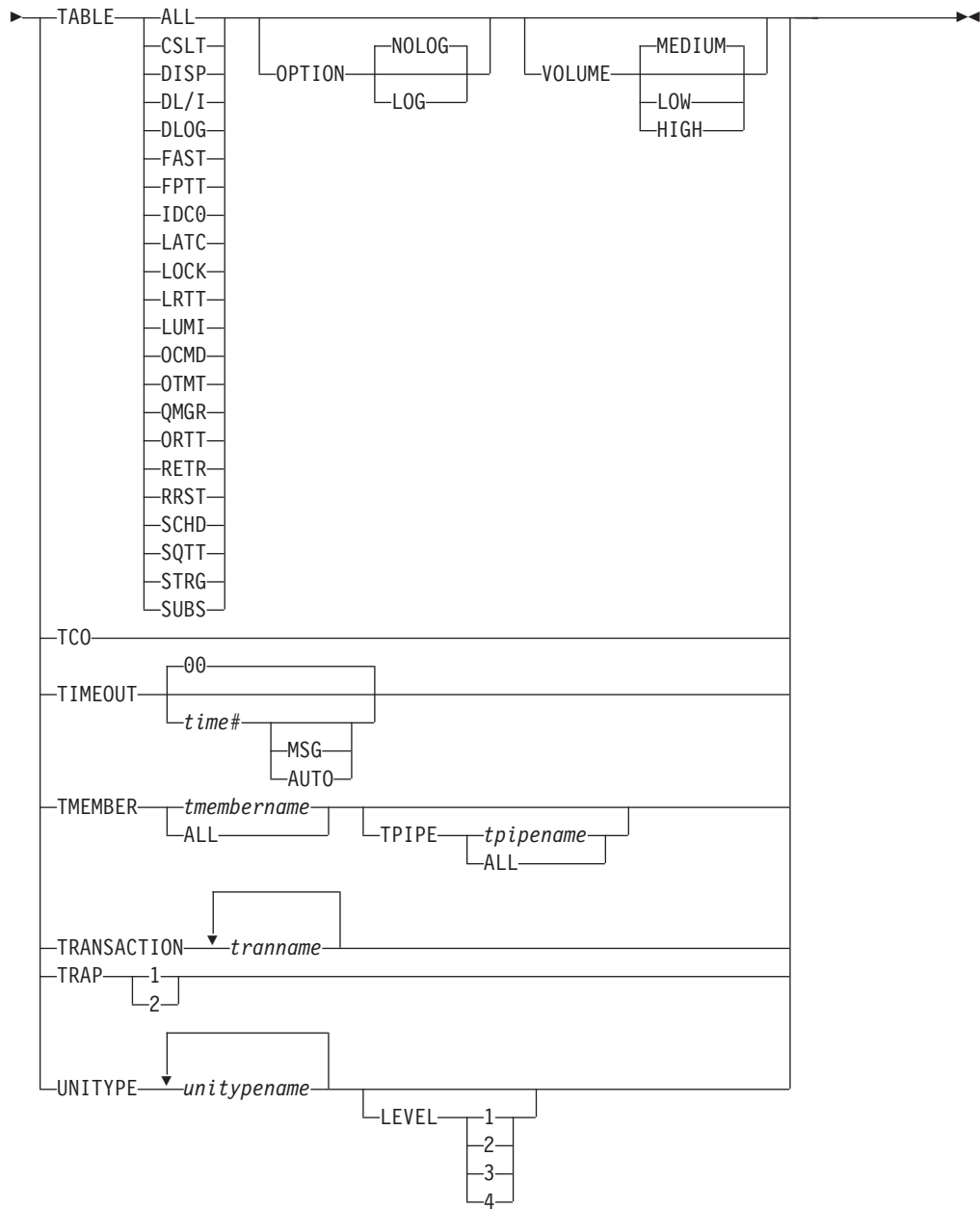


**B:**



**/TRACE Command: TABLE through UNITYPE**





## Environments and Keywords

Table 158 lists the environments (DB/DC, DBCTL, and DCCTL) from which the command and keywords can be issued.

Table 158. Valid Environments for the /TRACE Command and Keywords

Command / Keywords	DB/DC	DBCTL	DCCTL
/TRACE	X	X	X
AUTO	X		X
COMP	X	X	
EXIT	X		X



Table 158. Valid Environments for the /TRACE Command and Keywords (continued)

Command / Keywords	DB/DC	DBCTL	DCCTL
INPUT	X		X
LEVEL	X		X
LINE	X		X
LINK	X		X
LUNAME	X		X
MODULE	X		X
MONITOR	X	X	X
MSG	X		X
NOCOMP	X	X	
NODE	X		X
OPTION	X	X	X
OSAMGTF	X	X	
OUTPUT	X		X
PI	X	X	
PROGRAM	X	X	X
PSB	X	X	
SET	X	X	X
TABLE	X	X	X
TAKEOVER	X		X
TCO	X	X	X
TIMEOUT	X		X
TMEMBER	X		X
TPIPE	X		X
TPNAME	X		X
TRANSACTION	X		X
TRAP	X		X
UNITYPE	X		X
USER	X		X
VOLUME	X	X	X

---

## Usage

/TRACE directs and controls the IMS capabilities for tracing internal IMS events. It also starts, stops, and defines the activity to be monitored by the IMS Monitor.

The information developed by the LINE, LINK, NODE, UNITYPE, TRANSACTION, PROGRAM, PSB, and TCO keywords is written on the IMS system log (type X'5F' for PSB, and type X'67' records for the other keywords mentioned.) PI (program isolation) and TABLE trace information is kept in storage or logged (type X'67' records), depending on specification of additional keywords. The MONITOR keyword provides no such output on the system log; it only controls the IMS Monitor. The monitor develops its own output data and writes it on a separate data

set. For an explanation of the output reports provided by the monitor, refer to the *IMS Version 9: Utilities Reference: System*.

The status and options of the current IMS traces can be displayed with the /DISPLAY TRACE command.

### DFSMSCEO

The TM and MSC Message Routing and Control user exit. When this keyword is used on the /TRACE EXIT command, the traces causes IMS to write type 6701-MSEA and 6701-MSEB log records to the log data set when the exit routine is called. A 6701-MSEA record is logged when the exit is called if the trace is active for the entry point. A 6701-MSEB record is logged when the exit returns to IMS. For more information on the user exit, see the *IMS Version 9: Customization Guide*. For information on printing and interpreting the trace records from the user exit, see the *IMS Version 9: Diagnosis Guide and Reference*.

### EXIT

Identifies user exit tracing. When using the EXIT keyword, you must specify one of the following parameters to turn on or off:

- ALL** The trace is turned on or off for all entry points.
- LRDI** Calls the Link Receive Direct Routing exit entry point.
- LRIN** Calls the Link Receive Intermediate exit entry point.
- LRLT** Calls the Link Receive LTERM exit entry point.
- LRTR** Calls the Link Receive Transaction exit entry point.
- PRCH** Calls the Program Routing CHNG Call exit entry point.
- PRIS** Calls the Program Routing ISRT Call exit entry point.
- TR62** Calls the Terminal Routing LU62 exit entry point.
- TRBT** Calls the Terminal Routing BTAM exit entry point.
- TROT** Calls the Terminal Routing OTMA exit entry point.
- TRVT** Calls the Terminal Routing VTAM exit entry point.

### LEVEL

Expands the LINE, LINK, NODE, or UNITYPE trace functions. The LEVEL specification is for the entire IMS system and is changed only by reissuing /TRACE with different values or by restarting the IMS control region.

LEVEL indicates the extent of the control block trace information desired. The indicated control blocks are only traced at relevant times. All levels are inclusive of numerically lower levels. The following list displays the levels and their associated blocks.

#### Level Blocks

- |          |  |
|----------|--|
| <b>1</b> | CLB (DECB) or LLB(MSC)<br>CTB or LTB(MSC)<br>IOB (for BTAM lines) or IOSB (MSC for channel-to-channel links) |
| <b>2</b> | CNT or LNB(MSC)<br>CXB<br>CRB  |

- CIB
- CCB
- PD stack
- 3** queue manager buffers
  - Input/output line buffers
  - LXB (for channel-to-channel links and processor storage to processor storage)
- 4** save area sets (IMS dispatching)

If the first /TRACE SET ON command does not specify LEVEL, a default of 4 will be used. Specifying LEVEL on subsequent commands will change the defaults.

### LINE

Enter this keyword (and the associated parameters) to cause events related to the lines to be traced.

### LINK

Enter this keyword (and the associated parameters) to cause events related to the logical links to be traced.

### LUNAME TPNAME

Activates and deactivates tracing for a particular LU name or TP name of the LU name. Specifying this command causes trace entries to be written to the LUMI trace table. For this reason, the /TRACE SET ON TABLE LUMI command must be entered first in order to create the table for trace entries that will be created by subsequent /TRACE SET ON LUNAME commands. A trace entry is written:

- On LU 6.2 module entries/exits
- When APPC calls are made
- When errors are encountered

The INPUT and OUTPUT keywords provide the operator with the flexibility to control the volume of trace data for LU 6.2 devices.

Specifying the keyword INPUT with the LUNAME keyword indicates tracing is activated or deactivated for input and synchronous outbound activities.

Specifying the parameter ALL with the INPUT keyword causes all future LU 6.2 input and synchronous outbound activities to be traced as well.

Specifying the keyword OUTPUT with the LUNAME keyword indicates tracing is activated or deactivated for asynchronous outbound activities. Specifying the parameter ALL with OUTPUT causes all future LU 6.2 asynchronous outbound activities to be traced as well.

Specifying neither INPUT or OUTPUT is the same as both INPUT and Tracing is activated or deactivated for input and both synchronous and asynchronous outbound activities. Specifying the parameter ALL in this case causes all future LU 6.2 inbound activities, synchronous and asynchronous outbound activities to be traced as well.

The network-qualified LU name is optional for the LUNAME keyword. If the LU name is not a network-qualified LU name and no TP name is specified, tracing is activated or deactivated for all the network-qualified LU names in the system whose LU name matches the LU name specified.

If the specified resource does not exist and tracing is activated, a structure is created to retain the status.

### MODULE

Is used to expand the LINE, LINK, NODE, or UNITYPE trace functions. The MODULE specification is for the entire IMS system and is changed only by reissuing /TRACE with different values or by restarting the IMS control region.

MODULE indicates which modules are to have their control blocks traced.

**ALL** Both DDM and MFS

**DDM** Communication analyzer and device-dependent module interfaces

**MFS** Communication analyzer and message format service module interfaces

If the first /TRACE SET ON command does not specify MODULE, a default of ALL will be used. Specifying MODULE on subsequent commands will change the defaults.

### MONITOR

Enter this keyword to activate or deactivate the IMS Monitor.

When activating the monitor, you must specify one or more of the following MONITOR parameters to indicate the events to be monitored:

**ALL** Monitor all of the activity in this list.

**APDB** Monitor activity between application programs and databases, including Fast Path activity. Monitoring includes all application program requests to external subsystem databases. Monitoring can optionally be limited to a subset of full-function databases or partitions, Fast Path DEDBs and MSDBs, and the areas comprising those DEDBs by specifying database names or area names.

You can specify the ALL parameter to indicate all databases, areas, and partitions, or you can explicitly enter database names, area names, and partition names.

**APMQ** Monitor activity between application programs and message queues, including Fast Path activity.

**INTERVAL** Monitor events for a fixed interval of time, entered in seconds. INTERVAL defines the period of time **after which** no monitor log records will be written.

The duration of the monitoring must be less than twenty-four hours (86,400 seconds). When INTERVAL is not specified, monitoring will continue until the /TRACE SET MONITOR OFF command is issued, or until IMS shuts down.

INTERVAL does not define when the Monitor will be turned off, because the IMS Monitor will not be turned off until the first attempt is made to write a monitor log record after the defined interval has expired.

**LA** Monitor line and logical link events.

**REGION** Monitor events related to specific dependent regions. The regions might or might not currently be active. Each region can be specified as:

- A region number from 1 to 999 (*reg#*). The number cannot exceed the MAXPST with which IMS was brought up.

- A range of region numbers from 1 to 999 (*reg#–reg#*). The number cannot exceed the MAXPST with which IMS was brought up.
- A region name (*regionname*).

If REGION is not specified, or when REGION ALL is specified, the activities of all dependent regions are monitored.

**SCHD** Monitor scheduling and termination events, including Fast Path activities.

You can specify any combination of ALL, APDB, APMQ, INTERVAL, LA, REGION, and SCHD parameters on the MONITOR keyword, as shown in Table 159

Table 159 lists the environments (DB/DC, DBCTL, and DCCTL) from which the MONITOR keyword parameters can be issued.

Table 159. MONITOR Keyword Parameter Environments

Keyword Parameter	DB/DC	DBCTL	DCCTL
ALL	X	X	X
APDB	X	X	
APMQ	X		X
INTERVAL	X	X	X
LA	X		X
REGION	X	X	X
SCHD	X	X	X

The IMS Monitor report output varies depending upon which keywords or parameters you specify. Sections of the report can be misleading if required records are excluded. For example, if you specify the APDB parameter without the SCHD parameter, PSB/PCB relationships will not be correctly represented. To get the total DL/I call reports without the IMS line activity, the correct parameters to specify are APDB, APMQ, and SCHD.

The monitor writes log records until one of the following occurs:

- /TRACE SET OFF MONITOR is entered.
- The time interval specified by the INTERVAL parameter is reached.
- IMS is shut down.

When deactivating the monitor, no parameters are required. Any parameters that are entered, other than ALL, are ignored. ALL is the default. If the monitor is to be reactivated, a new set of MONITOR keyword parameters must be selected.

## NODE

Causes events related to the node or nodes to be traced.

The NODE parameter can be generic if the USER keyword is not specified and applies to nodes that already exist. Generic NODE parameters do not cause any dynamic nodes to be created.

For ISC nodes, the /TRACE NODE nodename without the USER applies to all half-sessions for NODE nodename, including dynamic ISC sessions that are dynamically allocated later.

For nodes that do not exist, /TRACE SET ON NODE nodename without the USER keyword causes the dynamic NODE nodename to be created to maintain knowledge of the trace request when the node becomes active. Until the node becomes active, /DISPLAY NODE shows a type of UNK (unknown). If the trace is subsequently turned off and the temporary node still exists, it is deleted at the next checkpoint.

/TRACE NODE nodename USER username is valid:

- For ISC nodes and dynamic nodes with signed on users
- Only if the USER username is still allocated to NODE nodename
- For non-ISC nodes only if the USER username is still signed on to NODE nodename

If global resource information is kept in Resource Manager, /TRACE NODE sets a global trace status for the node and sets the trace status locally. If global resource information is not kept in Resource Manager, /TRACE NODE sets the trace status locally. If the node does not exist in an ETO environment, IMS creates the node and sets trace status for the local node.

### OSAMGTF

Causes the OSAMGTF keyword to activate or deactivate the OSAM GTF (Generalized Trace facility).

**PI** Causes program isolation trace entries to be written to a trace table. PI trace entries are written in the same trace table as DL/I and lock activity trace entries. A PI trace entry contains information about program isolation ENQ/DEQ calls and DL/I calls. The trace entry created by /TRACE TABLE DLI contains different information about DL/I calls and is written as a separate entry in the same trace table. Starting the LOCK trace also causes PI tracing to occur.

If PI is entered without the OPTION keyword, the program isolation trace is kept in storage without being logged. If you are using the program isolation trace to provide statistics and performance data, you should enter OPTION(ALL).

Table 160 lists various /TRACE command formats and shows whether the command influences tracing, logging, and the additional time field.

Table 160. /TRACE Command Formats

Command	Tracing	Logging	Additional Time Field
/TRACE SET ON PI	Yes	No	No
/TRACE SET OFF PI	No	No	No
/TRACE SET ON PI OPTION <sup>1</sup>	Yes	Yes	No
/TRACE SET OFF PI OPTION <sup>1</sup>	Yes	No	No
/TRACE SET ON PI OPTION TIME	Yes	No	Yes
/TRACE SET OFF PI OPTION TIME	Yes	No	No
/TRACE SET ON PI OPTION ALL	Yes	Yes	Yes
/TRACE SET OFF PI OPTION ALL	Yes	No	No

**Note:**

1. This is the same command as /TRACE SET ON/OFF PI OPTION LOG.

### OPTION

Indicates a request for one of the following program isolation trace options:

**ALL** Both LOG and TIME.

**LOG** Requests that traced data be written to the system log. If SET OFF, tracing continues but no buffers are transferred to the system log. LOG is the default.

The log option includes the possibility of externally tracing to a data set other than the IMS OLDS. If specified, DASD external tracing has first priority, TAPE external tracing has second priority, and IMS OLDS has third priority. External tracing to the OLDS is not done without operator approval. EXTERNAL trace is available to the alternate system only for DASD/TAPE type, but not for OLDS. For more information, see *IMS Version 9: Diagnosis Guide and Reference* and *IMS Version 9: Operations Guide*.

**TIME** Requests that an additional time field be included in each ENQ/DEQ request trace record if a WAIT was needed. This field will contain elapsed wait time. If set OFF, tracing continues but only the time of day is recorded.

Entries for Fast Path have no elapsed wait time.

#### **VOLUME**

Specifies the volume of entries to be written to the PI trace table: LOW volume, MEDIUM volume (default), or HIGH volume.

#### **PROGRAM**

Is used to trace the DL/I portion of Data Communications (DC) for a specific program. Each DL/I call to a TPPCB, issued by the user application program, is traced on entry to and exit from the DC call handler DFSDLA30. On entry to DFSDLA30 a type 6701-LA3A record is written, on exit from DFSDLA30 a type 6701-LA3B record is written.

Each record will contain the following items if applicable:

- TPPCB
- Up to 64 bytes of the I/O area
- SMB
- PST

If the batch message program (BMP) being traced is the Queue Control Facility (QCF) program product 5697-E99, a 6701-MRQB record is logged by the QCF module DFSQMRQ0. The default program name for the QCF BMP is MRQPSB, and can be overridden on the MSGQUEUE SYSGEN macro.

Items logged in the 6701-MRQB record, if applicable, are:

- TPPCB
- AIB
- I/O AREA
- PST
- QTPDST
- QSAPWKAD
- QMBA
- PSTDCA
- REG14-12

For more information about the QCF module DFSQMRQ0 and the 6701-MRQB trace, refer to *IMS Version 9: Diagnosis Guide and Reference*. For more information about the QCF product, refer to *IMS Queue Control Facility for z/OS, User's Guide V1R2 (SC26-9685-02)*.

When CPI Communications driven transaction programs issue the DL/I APSB call specifying a PSB that contains alternate PCBs, only the PROGRAM keyword is applicable.

### PSB

Records all full function IMS DL/I database calls issued for the named PSB. FP/DC/SAA calls are not captured when /TRACE SET ON PSB initiated tracing of PSBs.

For LU 6.2, the PSB keyword is applicable only if the CPI Communications driven transaction program has issued a DL/I APSB call to allocate a PSB.

**COMP** Used with the /TRACE SET PSB command to generate PCB and data-compare statement images.

The /TRACE SET PSB psbname COMP command only applies to BMPs in a DBCTL environment.

**NOCOMP** Prevents PCB and data-compare statement images from being generated. NOCOMP is the default.

The information resulting from the use of this keyword is written on the X'5F' log record.

### SET

This keyword turns ON or OFF one of the following:

- The control block trace for particular LINE, LINK, NODE, or UNITYPE
- The program isolation trace
- The IMS Monitor
- The DL/I call trace for a specific PSB
- Tracing into a specific trace table
- Tracing of the DL/I portion of DC for programs and transactions
- Traps that enable MFS serviceability aids
- The VTAM I/O Detection facility
- The TCO trace
- The OSAMGTF trace
- Tracing for a particular LUNAME

### TABLE

Is used with the SET keyword to start or stop online tracing into the specified trace tables. The TABLE keyword parameter indicates the specific trace that is to be activated or deactivated. The DL/I, LOCK, and PI traces share the same trace tables. However, turning on the DL/I trace does not turn on the LOCK trace, and vice versa.

The following trace into trace tables can be turned on or off with the online /TRACE command.

Table 161 on page 689 shows the environments in which the trace tables are valid.



Table 161. Trace Tables and Environments in Which They Are Valid

Trace Table	DB/DC	DBCTL	DCCTL
ALL	X	X	X
CSLT	X	X	X
DISP	X	X	X
DL/I	X	X	X
DLOG	X	X	X
FAST	X	X	X
FPTT	X	X	X
IDCO	X		X
LATC	X	X	X
LOCK	X	X	
LRTT	X	X	X
LUMI	X		X
MSCT	X		X
OCMD	X	X	X
ORTT	X		X
OTMT	X	X	
QMGR	X		X
RETR	X	X	
RRST	X		X
SCHD	X	X	X
SQTT	X		X
STRG	X	X	X
SUBS	X	X	X

- ALL** Indicates that traces into all trace tables are to be enabled or disabled. This is the default.
- CSLT** Indicates that the CSL trace is to be activated or deactivated.
- DISP** Indicates that the dispatcher trace is to be activated or deactivated.
- DL/I** Indicates that DL/I tracing is to be activated or deactivated.
- DLOG** Indicates that the logging trace is to be activated or deactivated.
- FAST** Indicates that the Fast Path trace is to be activated or deactivated.  
  
Fast Path Trace is activated by including the FPTRACE DD statement in the dependent region JCL to define the destination of the trace output and by issuing the operator command /TRACE SET ON TABLE FAST.  
  
**Recommendation:** Only run this trace in a test environment because the FPTRACE output is very large.
- FPTT** Indicates that the Fast Path table trace is to be activated or deactivated.

2

2  
2

2

<b>IDCO</b>	Indicates that tracing of errors in modules DFSCNXA0 and DFSIDC00 is to be activated or deactivated.
<b>LATC</b>	Indicates that the latch trace is to be activated or deactivated.
<b>LOCK</b>	Indicates that LOCK and PI tracing is to be activated or deactivated.
<b>LRTT</b>	Indicates that the log router trace table is to be activated or deactivated. LRTT is only valid for an RSR tracking subsystem.
<b>LUMI</b>	Indicates that the LU 6.2 manager trace is to be activated or deactivated. /TRACE SET ON TABLE LUMI must be entered first before entering any /TRACE SET ON LUNAME command in order to create the LUMI trace table for trace entries.  LUMI is not valid for an RSR tracking subsystem.
<b>MSCT</b>	Indicates that the MSC trace is to be activated or deactivated.
<b>OCMD</b>	Indicates that the OM command trace is to be activated or deactivated.
<b>ORTT</b>	Indicates that the Online Recovery System trace is to be activated or deactivated.
<b>OTMT</b>	Indicates that the IMS Open Transaction Manager Access (OTMA) trace is to be activated or deactivated.
<b>QMGR</b>	Indicates that the queue manager trace is to be activated or deactivated.
<b>RETR</b>	Indicates that the DL/I retrieve trace is to be activated or deactivated. RETR is not valid for an RSR tracking subsystem.
<b>RRST</b>	Indicates that the Resource Recovery trace is activated or deactivated.
<b>SCHD</b>	Indicates that the scheduler trace is to be activated or deactivated. SCHD is not valid for an RSR tracking subsystem.
<b>SQTT</b>	Indicates that the shared queues trace is to be activated or deactivated. SQTT is only valid in a shared-queues environment.
<b>STRG</b>	Indicates that the storage manager trace is to be activated or deactivated.
<b>SUBS</b>	Indicates that the external subsystem trace is to be activated or deactivated. SUBS is not valid for an RSR tracking subsystem.

**OPTION**

Is used to indicate whether or not the trace tables are to be logged.

The meaning of the OPTION parameters are:

**LOG** Requests that the trace tables be written to the system log before they are reused (wrapped).

The log option includes the possibility of externally tracing to a data set other than the IMS OLDS. If specified, DASD external tracing has first priority, TAPE external tracing has second priority, and IMS OLDS has third priority. External tracing to the OLDS is not done without operator approval. This option is ignored for the retrieve trace and the Fast Path trace, (default).

FPTRACE has its own SYSOUT. EXTERNAL trace is available to the alternate system only for DASD/TAPE type, but not for OLDS. For more information, see *IMS Version 9: Diagnosis Guide and Reference* and *IMS Version 9: Operations Guide*.

**NOLOG**

Indicates that the trace tables are not logged. This means that there will be no record of trace tables that have been reused. NOLOG is the default.

The same trace table is used for DL/I, LOCK, and PI trace information. Whether or not this table is logged will depend on the logging option of the last /TRACE command that was entered for DL/I, PI, or LOCK.

**VOLUME**

Specifies the volume of entries to be written to the specified trace table: LOW volume, MEDIUM volume (default), or HIGH volume.

The VOLUME keyword is valid on active and RSR tracking subsystems.

**TAKEOVER**

Controls tracing during takeover only, and is separate from regular tracing. TAKEOVER tracing can be set for LINE, LINK, NODE, and UNITYPE keywords.

TAKEOVER only applies in an XRF environment. When TAKEOVER is used with SET OFF, the trace is turned off before takeover. When an output message is dequeued for a terminal, takeover tracing will stop for that terminal.

If both regular and takeover tracing are entered, the most recent setting will override any previous settings; for example, takeover tracing will override regular tracing if regular tracing was entered first. This means that either regular or TAKEOVER tracing can be in effect, but not both.

/TRACE TAKEOVER can be issued only from an XRF active system. It is rejected if entered from an alternate or non-XRF system. It is recovered across restart and takeover, and only needs to be entered once until cold start. Tracing occurs only if the session was active at the time of the takeover.

**TCO**

Is used to trace TCO (Time Controlled Operation) activity. For the first /TRACE command with the TCO keyword, the default module and level information is used. TCO trace is basically a DC LINE or NODE trace, and the information developed is also written on the type X'67' log record.

**TIMEOUT**

Is used to start or stop the I/O Timeout Detection facility.

**time#**

is the number of minutes used to determine if the I/O response is overdue. After this number of minutes, time has run out for the response. The range is from 1 through 60; the default value is 0.

If time# is 0, or not specified, then when I/O is initiated for a node, the node will be placed on a queue, so that its status can be displayed with the /DISPLAY TIMEOVER command. You will not be notified if the node does not receive a response and the time elapses, and the node will not be reactivated.

If time# is not 0, then the following keywords can be used.

**MSG**

Indicates that a message is issued to the master terminal when I/O takes longer than time# minutes. The message indicates that the time has elapsed.

**AUTO**

IMS issues a message to the master terminal, then perform a VTAM VARY NET,INACT and a VARY NET,ACT, if I/O takes longer than time# minutes. An /OPNDST is performed for operable devices that are not shared. For ISC nodes, a message is issued, but there is no automatic (AUTO) restart of any sessions and no VTAM VARY commands issued.

If you wish to change the time period or the action to be taken if timeout occurs, you can enter the /TRACE SET ... TIMEOUT command while the Timeout Detection facility is already active. However, if nodes are receiving or sending input or output, they will function according to the previous settings of the /TRACE ... TIMEOUT command. If this is undesirable, then you should enter the /TRACE SET OFF TIMEOUT command before reentering /TRACE SET ... TIMEOUT.

If the timeout trace facility failed during IMS initialization, the /TRACE SET ... TIMEOUT command is rejected with an error message.

The VTAM TIMEOUT I/O facility is automatically started during IMS shutdown. It is set for 1 minute and AUTO.

**TMEMBER**

Is used to trace IMS Open Transaction Manager Access (OTMA) client activity for OTMA clients.

**TPIPE**

Is used to trace transaction pipe activity for OTMA clients.

While processing the /TRACE TMEMBER TPIPE command, IMS creates a temporary transaction pipe (if one does not already exist) with the trace status. IMS sets the synchronization status for this transaction pipe when it sends or receives the first message for the transaction pipe.

**TRANSACTION**

Is used to trace the DL/I portion of Data Communications (DC) for a specific transaction. Each DL/I call to a TPPCB, issued by the user application program, is traced on entry to and exit from the DC call handler DFSDLA30. Upon entry to DFSDLA30, a type 6701-LA3A record is written; upon exit from DFSDLA30, a type 6701-LA3B record is written.

Each record will contain the following items, if applicable:

- TPPCB
- Up to 64 bytes of the I/O area
- SMB
- PST

For more information about this trace, see the discussion of the DLA3LOG trace in *IMS Version 9: Diagnosis Guide and Reference*.

**TRAP**

Is used to detect overwrites of MFS blocks. When /TRACE is used, IMS attempts to detect overwrites in the MFS blocks. If an overwrite occurs, IMS sends a warning message. See *IMS Version 9: Diagnosis Guide and Reference* for a description of trace records.

**UNITYTYPE**

Causes events related to the physical terminals of specified type to be traced.

The UNITYTYPE keyword is used to trace all terminals of a specific type.

Parameters (unitytype) are similar to the identifiers displayed in the TYPE column by the /DISPLAY NODE and /DISPLAY LINE/PTERM commands. Table 162 shows the terminal types for UNITYTYPE parameters.

Table 162. UNITYTYPE Parameters and Terminal Types

UNITYTYPE Parameter	Terminal Type
2260R	2260/2265 REMOTE
3286	3284/3286
SYSTEM/7	SYSTEM 7
2980	2980
3270R	3270 REMOTE
3270I	3270 LOCAL
RDR/PTR	LOCAL SYSIN/SYSOUT
SYSTEM/3	SYSTEM 3
FIN	3600
3277	3270 VTAM
SYS/7BS	SYSTEM 7 BSC
SLU1	SLU TYPE 1
SLU2	SLU TYPE 2
SLUP	SLU TYPE P
LU 6	LU TYPE 6
NTO	NTO
CONSOLE	z/OS SYSTEM CONSOLE
TWX	TWX SWITCHED
3275SW	3270 SWITCHED
MSCBSC	Binary Synchronous Communication
MSCMTM	Memory to Memory Communication
MSCCTC	Channel to Channel Adapter
MSCVTAM	MSC VTAM

If global resource information is kept in Resource Manager, /TRACE UNITYTYPE sets a global trace status for all of the nodes of a specific type. This requires that the inactive static nodes be processed on every IMS system. The UNITYTYPE keyword is similar to specifying a generic parameter. If global resource information is not kept in Resource Manager, /TRACE UNITYTYPE sets the trace status locally.

---

## Examples

### Example 1 for /TRACE Command

To turn on message format service module and communication analyzer level 4 control block tracing for all physical terminals on line 4.

Entry ET:

```
/TRACE SET ON LINE 4 LEVEL 4 MODULE MFS
```

Response ET:

```
DFS058I TRACE COMMAND COMPLETED
```

## Example 2 for /TRACE Command

To turn on tracing for a logical link:

Entry ET:

```
/TRACE SET ON LINK 2 LEVEL 4 MODULE ALL
```

Response ET:

```
DFS058I TRACE COMMAND COMPLETED
```

## Example 3 for /TRACE Command

Entry ET:

```
/TRACE SET ON MONITOR ALL
```

Response ET:

```
DFS058I TRACE COMMAND COMPLETED  
DFS2500I DATASET DFSDCMON SUCCESSFULLY ALLOCATED  
DFS2212I DC MONITOR STARTED
```

Explanation: The monitor is activated and all events will be monitored.

Entry ET:

```
/TRACE SET OFF MONITOR
```

Response ET:

```
DFS058I TRACE COMMAND COMPLETED  
DFS2500I DATASET DFSDCMON SUCCESSFULLY DEALLOCATED  
DFS2212I DC MONITOR STOPPED
```

Explanation: The monitor is deactivated.

Entry ET:

```
/TRACE SET ON MONITOR LA
```

Response ET:

```
DFS058I TRACE COMMAND COMPLETED
```

Explanation: The monitor is activated. Line and logical link activities will be monitored. The monitoring of events from the previous activation of the monitor no longer apply.

## Example 4 for /TRACE Command

To turn on program isolation tracing, include the additional time field in the trace record and have the trace information logged:

Entry ET:

```
/TRACE SET PI OPTION ALL
```

Response ET:

```
DFS058I TRACE COMMAND COMPLETED
```

### Example 5 for /TRACE Command

To turn off logging of program isolation trace data but continue the trace in storage:

Entry ET:

```
/TRACE SET OFF PI OPTION LOG
```

Response ET:

```
DFS058I TRACE COMMAND COMPLETED
```

### Example 6 for /TRACE Command

To stop program isolation tracing.

Entry ET:

```
/TRACE SET OFF PI
```

Response ET:

```
DFS058I TRACE COMMAND COMPLETED
```

### Example 7 for /TRACE Command

To trace all DL/I calls issued for PSB AALST:

Entry ET:

```
/TRACE SET ON PSB AALST COMP
```

Response ET:

```
DFS058I TRACE COMMAND COMPLETED
```

### Example 8 for /TRACE Command

To turn on online tracing into the DL/I trace table:

Entry ET:

```
/TRACE SET ON TABLE DL/I
```

Response ET:

```
DFS058I TRACE COMMAND COMPLETED
```

### Example 9 for /TRACE Command

To turn on the dispatcher's trace tables and have them written to the system log:

Entry ET:

```
/TRACE SET ON TABLE DISP OPTION LOG
```

When the dispatcher's trace tables are no longer required:

Entry ET:

```
/TRACE SET OFF TABLE DISP
```

Response ET:

DFS058I TRACE COMMAND COMPLETED

### Example 10 for /TRACE Command

To turn on storage manager trace tables:

Entry ET:

```
/TRACE SET ON TABLE STRG
```

Response ET:

```
DFS058I TRACE COMMAND COMPLETED
```

When the storage manager trace tables are no longer needed:

Entry ET:

```
/TRACE SET OFF TABLE STRG
```

Response ET:

```
DFS058I TRACE COMMAND COMPLETED
```

### Example 11 for /TRACE Command

Entry ET:

```
/TRACE SET ON TMEMBER CLIENT1 TPIPE TPIPESY
```

Response ET:

```
DFS058I 15:45:05 TRACE COMMAND COMPLETED SYS3  
DFS996I *IMS READY* SYS3
```

### Example 12 for /TRACE Command

To log the PCB, I/O area, and PST whenever module DFSDLA30 is invoked to process transaction APPLE:

Entry ET:

```
/TRACE SET ON TRANSACTION APPLE
```

Response ET:

```
DFS058I TRACE COMMAND COMPLETED
```

### Example 13 for /TRACE Command

To trace all 2740 model 2 terminals:

Entry ET:

```
/TRACE SET ON UNITYPE 2740II
```

Response ET:

```
DFS058I TRACE COMMAND COMPLETED
```

**Note:** The control blocks and modules traced depend on the last LEVEL and MODULE specifications entered before the above command. If the LEVEL and MODULE keywords have not yet been entered, the defaults of 4 and ALL will be used.



## Example 14 for /TRACE Command

This is an example of temporary nodes created to retain trace status data.

Entry ET:

```
/TRACE SET ON NODE DTSLU607
```

Response ET:

```
DFS058 TRACE COMMAND COMPLETED
```

Entry ET:

```
/DISPLAY NODE DTSLU607
```

Response ET:

NODE-USR	TYPE	CID	RECD	ENQCT	DEQCT	QCT	SENT	
DTSLU607	UNK	00000000	0	0	0	0	0	TRA
*90127/091634*								

Entry ET:

```
/DISPLAY NODE DTSLU607
```

Response ET:

NODE-USR	TYPE	CID	RECD	ENQCT	DEQCT	QCT	SENT	
DTSLU607	LUT6							
-N/A	UNK	00000000	0	0	0	0	0	TRA
-IMSUS01		01000002	0	0	0	0	0	SIGN(IMSUS01 ) IDLE CON TRA PRI
-IMSUS02		01000004	0	0	0	0	0	SIGN(IMSUS02 ) IDLE CON TRA PRI
*90127/091432*								

Explanation: The /TRACE command is issued for a dynamic ISC NODE that does not yet exist, DTSLU607, causing a temporary node to be created to retain the trace status. Once the ISC parallel sessions IMSUS01 and IMSUS02 are allocated, the trace status is applied to them both.





If the terminals are on a switched communication network and a physical or logical terminal disconnection occurs, an implied /UNLOCK is processed against the physical terminal and inquiry logical terminal.

When using ISC, the /UNLOCK command can only be used with logical terminals assigned to allocated users.

/UNLOCK LTERM, NODE, and PTERM apply only to the entering physical terminal.

The /UNLOCK command with the LTERM, NODE, or PTERM keyword is not allowed from the OM API.

/UNLOCK DATABASE, PROGRAM, and TRANSACTION are only valid if entered from the master terminal, the system console, a TCO script, or from an AOI application program. /UNLOCK SYSTEM is only valid if it is entered from the master terminal or from the system console on an XRF system.

3 You can specify password security on the /UNLOCK command by requiring a  
3 password after a resource name is entered. If the resource is not defined with  
3 password protection in SMU or SMU security is not used, the password is ignored.

3 A resource name can also be defined with password protection in SAF. If the  
3 parameter, LOCKSEC=Y (N is the default) is specified on the DFSDCxxx  
3 IMS.PROCLIB member, the SAF and user exit calls are made after the SMU calls.  
3 If the resource is not defined to SAF, or is defined and is authorized to the user, the  
3 command is processed. If the resource is defined to SAF but not authorized for use,  
3 the command is rejected with a DFS3689W message.

#### DATABASE

Specifies the database to be unlocked.

For the results of issuing this command on a shared secondary index, see Appendix D, "Shared Secondary Index Database Commands," on page 849

The output of the /UNLOCK DB command is changed when the command is entered through the OM API. In this case, the DFS058I message is not returned to OM. The command response returned to OM contains one or more of the following messages: DFS0488I, DFS3466I, DFS132

#### LTERM

Specifies the logical terminal to be unlocked. This keyword applies only to the entering physical terminal and to logical terminals assigned to that physical terminal.

2 Any password specified with the /UNLOCK LTERM command is ignored for  
2 ACF/VTAM nodes created dynamically. Password support on the /UNLOCK  
2 command uses the Security Maintenance Utility, which is not supported for  
2 dynamic terminals. The password is also ignored for static LTERMs when SMU  
2 security is not used, or the LTERM is not defined with password security.

The /UNLOCK LTERM ALL command can only be used when all of the logical terminals associated with the entering physical terminal do not have passwords.

#### NODE

Specifies the VTAM node to be unlocked. This keyword applies only to the entering physical terminal and to logical terminals assigned to that physical terminal.

2 Any password specified with the /UNLOCK NODE command is ignored for  
2 ACF/VTAM nodes created dynamically. Password support on the /UNLOCK

2 command uses the Security Maintenance Utility, which is not supported for  
 2 dynamic terminals. The password is also ignored for static nodes when SMU  
 2 security is not used, or the node is not defined with password security.

**PROGRAM**

Specifies the application program to be unlocked.

**PTERM**

Specifies the physical terminal to be unlocked. This keyword applies only to the entering physical terminal and to logical terminals assigned to that physical terminal.

**SYSTEM**

Notifies a newly created active system in an XRF complex that I/O prevention is complete. I/O prevention is initiated at takeover to ensure that the failing active system cannot write to the databases. The alternate system then initiates I/O toleration to ensure database integrity and to enable new transaction processing as soon as possible. /UNLOCK SYSTEM ends the I/O toleration phase of processing. See the *IMS Version 9: Operations Guide* for a more detailed description of I/O prevention, I/O toleration, and the /UNLOCK SYSTEM command.

**TRANSACTION**

Specifies the transaction code to be unlocked.

/UNLOCK TRANSACTION cannot be used for Fast Path exclusive or CPI Communications driven transaction programs.

---

## Examples

### Example 1 for /UNLOCK Command

Entry ET:

```
/UNLOCK DATABASE TREEFARM
```

Response ET:

```
DFS058I UNLOCK COMMAND COMPLETED
```

Explanation: Database TREEFARM is unlocked and can be used.

### Example 2 for /UNLOCK Command

Entry ET:

```
/UNLOCK PROGRAM APPLETRE
```

Response ET:

```
DFS058I UNLOCK COMMAND COMPLETED
```

Explanation: Application program APPLETRE is unlocked and can be executed.

### Example 3 for /UNLOCK Command

Entry ET:

```
/UNLOCK PTERM
```

Response ET:

```
DFS058I UNLOCK COMMAND COMPLETED
```

Explanation: The physical terminal from which the command is entered is unlocked.

### Example 4 for /UNLOCK Command

Entry ET:

```
/UNLOCK TRANSACTION SEED
```

Response ET:

```
DFS058I UNLOCK COMMAND COMPLETED
```

Explanation: Transaction SEED is unlocked and can be scheduled.

### Example 5 for /UNLOCK Command

The following three figures illustrate the use of the /UNLOCK SYSTEM command on a newly created active system. Each figure is a formatted master screen for the newly created active system IMSB.

Figure 8 shows a screen of a newly created active system in the I/O toleration phase of processing (awaiting I/O prevention). Database DD41M803 has an I/O toleration EEQE.

```

02/05/15 16:19:03 RSENAME: DFSRSENM ACTIVE AWAITING I/O PREVENTION IMSB
DFS2716I NO MSDBS FOUND - NO MSDB CHECKPOINT TAKEN
DFS994I *CHKPT 85135/152931**SIMPLE**
DFS3499I ACTIVE DDNAMES: MODBLKSA IMSACBA FORMATA MODSTAT ID: 11
DFS3804I LAST CHKPT ID VALID FOR RESTART: 85135/161847-BUILDQ: 85135/161213

DFS994I TAKEOVER COMPLETED.
DFS3859I 16:18:29 PRIORITY 4 SESSIONS SWITCHED.
DFS3860I 16:18:29 ALL TERMINAL SESSIONS SWITCHED.
-----
DATABASE
DD41M803
  ERROR DD TYPE BLOCK
  DD41M803 IOT 0000003F
  *85135/161902*

                                     PASSWORD:

/dis db dd41m803 bkerr

```

Figure 8. I/O Toleration Phase of Processing

Figure 9 on page 703 shows a screen of the use of the /UNLOCK SYSTEM command to notify the newly created active system that I/O prevention is complete (the XRF system status line now indicates that processing is no longer degraded by I/O toleration).

```

02/05/15 16:34:14 RSENAME: DFSRSENM ACTIVE IMSB
DFS2716I NO MSDBS FOUND - NO MSDB CHECKPOINT TAKEN
DFS994I *CHKPT 85135/161847**SIMPLE**
DFS3499I ACTIVE DDNAMES: MODBLKSA IMSACBA FORMATA MODSTAT ID: 11
DFS3804I LAST CHKPT ID VALID FOR RESTART: 85135/161847-BUILDQ: 85135/161213

DFS058 16:34:14 UNLOCK COMMAND IN PROGRESS
DFS0488I - UNLOCK COMMAND COMPLETED. RC = 00
DFS3860I 15:29:19 ALL TERMINAL SESSIONS SWITCHED.
-----

PASSWORD:

/unlock system

```

Figure 9. /UNLOCK SYSTEM Command

Figure 10 is a screen that shows that the I/O toleration EEQE for database DD41M803 has been deleted as part of /UNLOCK SYSTEM processing.

```

02/05/15 16:35:00 RSENAME: DFSRSENM ACTIVE IMSB
DFS2716I NO MSDBS FOUND - NO MSDB CHECKPOINT TAKEN
DFS994I *CHKPT 85135/161847**SIMPLE**
DFS3499I ACTIVE DDNAMES: MODBLKSA IMSACBA FORMATA MODSTAT ID: 11
DFS3804I LAST CHKPT ID VALID FOR RESTART: 85135/161847 - BUILDQ: 85135/161213

DFS058 16:34:14 UNLOCK COMMAND IN PROGRESS
DFS0488I - UNLOCK COMMAND COMPLETED. RC = 00
DFS3860I 16:18:29 ALL TERMINAL SESSIONS SWITCHED.
-----

DATABASE
DD41M803
NO EEQE OR INCOMPLETE BACKOUT INFORMATION AVAILABLE
*85135/163500*

PASSWORD:

/dis db dd41m803 bkerr

```

Figure 10. EEQE Deleted as Part of /UNLOCK SYSTEM Processing





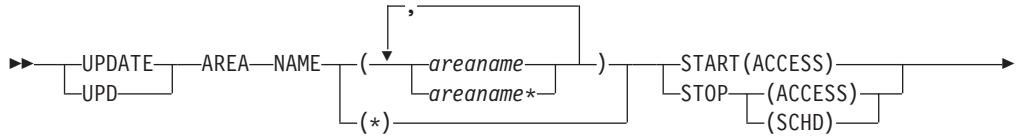
# Chapter 65. UPDATE

## Format

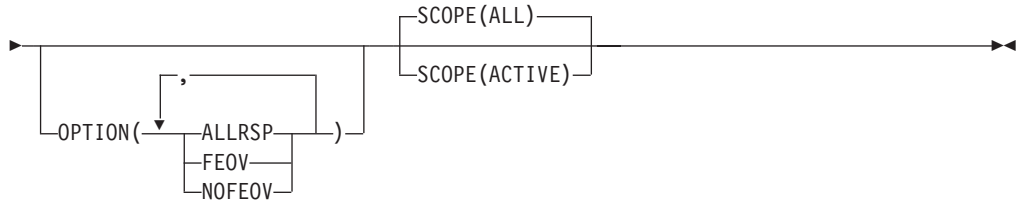
3

### UPDATE AREA :

3  
3



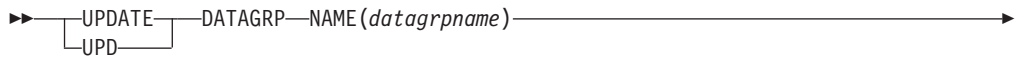
3  
3



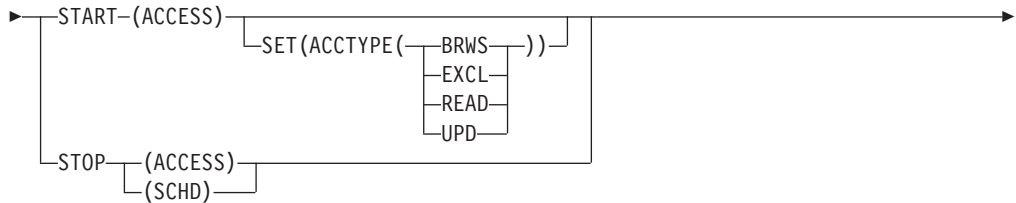
3

### UPDATE DATAGRP:

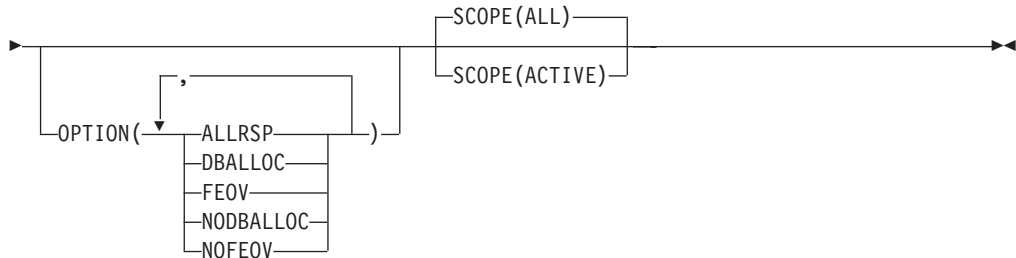
3  
3



3  
3



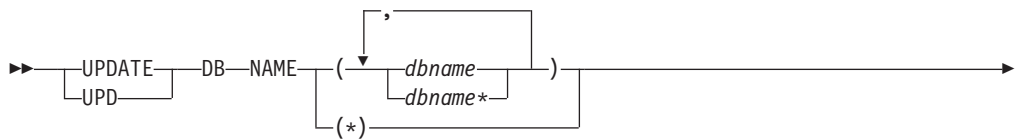
3  
3



3

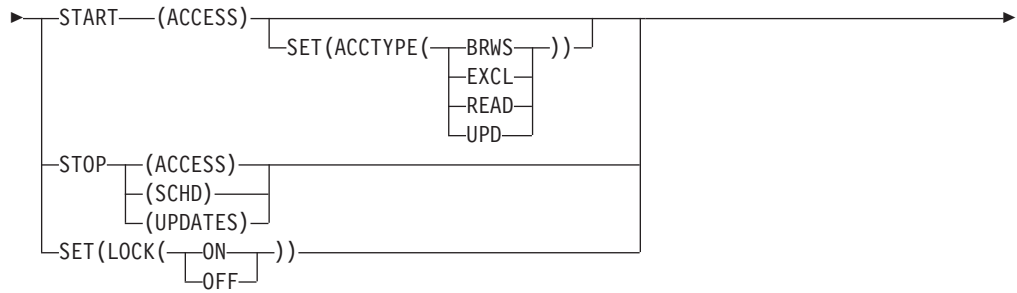
### UPDATE DB:

3  
3

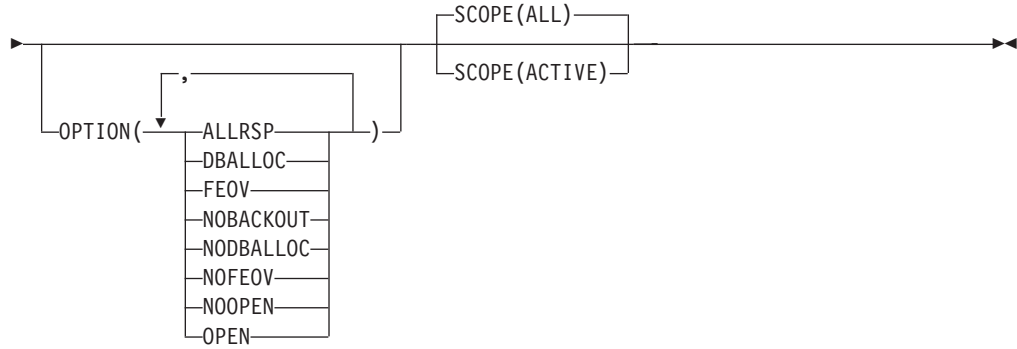


3

3  
3

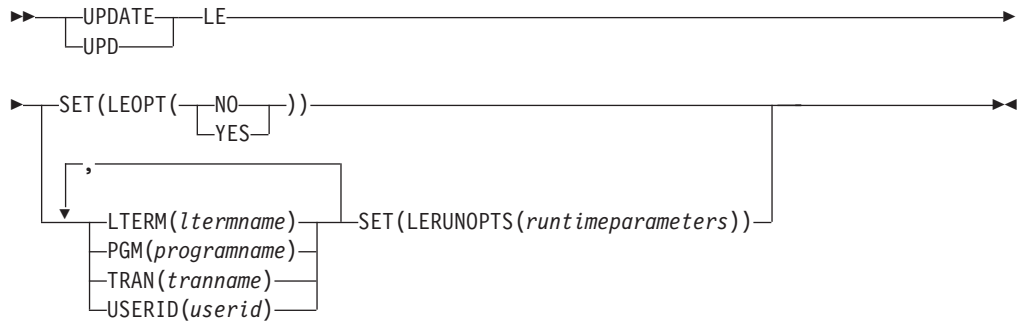


3  
3

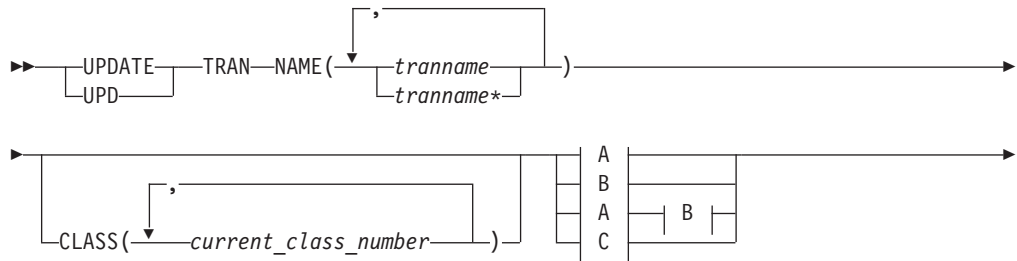


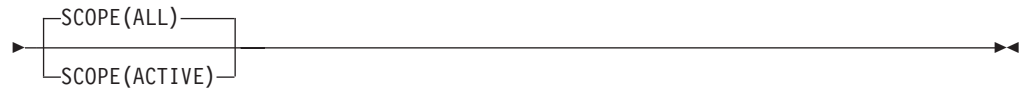
3  
3

**UPDATE LE:**



**UPDATE TRAN:**

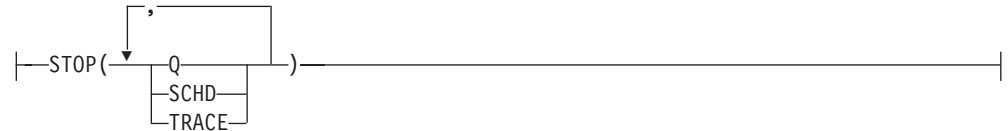




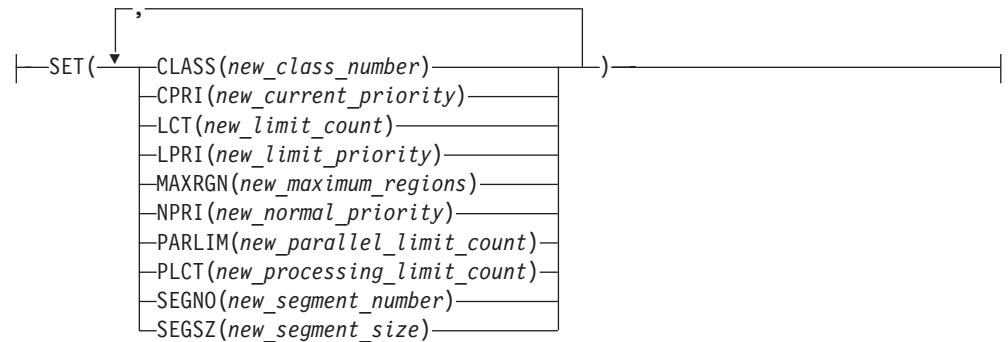
**A:**



**B:**



**C:**



## Environments and Keywords

Table 164, Table 165 on page 708, Table 166 on page 708, Table 167 on page 708, and Table 168 on page 708 list the environments (DB/DC, DBCTL, and DCCTL) from which the UPDATE command and keywords can be issued.

Table 164. Valid Environments for the UPDATE AREA Command and Keywords

Command / Keywords	DB/DC	DBCTL	DCCTL
UPDATE AREA	X	X	
NAME	X	X	
OPTION	X	X	
SCOPE	X	X	
START	X	X	
STOP	X	X	

Table 165. Valid Environments for the UPDATE DATAGRP Command and Keywords

Command / Keywords	DB/DC	DBCTL	DCCTL
<b>UPDATE DATAGRP</b>	X	X	
NAME	X	X	
OPTION	X	X	
SCOPE	X	X	
START	X	X	
STOP	X	X	

Table 166. Valid Environments for the UPDATE DB Command and Keywords

Command / Keywords	DB/DC	DBCTL	DCCTL
<b>UPDATE DB</b>	X	X	
NAME	X	X	
OPTION	X	X	
SCOPE	X	X	
SET	X	X	
START	X	X	
STOP	X	X	

Table 167. Valid Environments for the UPDATE LE Command and Keywords

Command / Keywords	DB/DC	DBCTL	DCCTL
<b>UPDATE LE</b>	X	X	X
LTERM	X	X	X
PGM	X	X	X
SET	X	X	X
TRAN	X	X	X
USERID	X	X	X

Table 168. Valid Environments for the UPDATE TRAN Command and Keywords

Command / Keywords	DB/DC	DBCTL	DCCTL
<b>UPDATE TRAN</b>	X		X
CLASS	X		X
CPRI	X		X
LCT	X		X
LPRI	X		X
MAXRGN	X		X
NAME	X		X
NPRI	X		X
PARLIM	X		X
PLCT	X		X
SCOPE	X		X
SEGNO	X		X

Table 168. Valid Environments for the UPDATE TRAN Command and Keywords (continued)

Command / Keywords	DB/DC	DBCTL	DCCTL
SEGSZ	X		X
SET	X		X
START	X		X
STOP	X		X

## 2 UPDATE AREA

2 The UPDATE AREA command allows changes to the status of area resources. The  
2 UPDATE AREA command can only be specified using the OM API and is processed  
2 only by the DB/DC and DBCTL environments. The command is also not allowed on  
2 the XRF alternate.

2 When the UPDATE AREA command is issued, the command only applies to the IMS to  
2 which it is routed. The command does not preload or preopen areas on other IMSs  
2 in the IMSplex that share the area. UPDATE AREA is routed by OM. OM routes the  
2 command to all active DB/DC or DBCTL IMS systems, unless specific routing is  
2 specified. OM selects one IMS as the command master.

2 The UPDATE AREA STOP(SCHD) command is not allowed on any RSR tracker.  
2 However, the commands, UPDATE AREA START(ACCESS) or UPDATE AREA  
2 STOP(ACCESS), are allowed only on a database level RSR tracker. UPDATE AREA  
2 START(ACCESS) and UPDATE AREA STOP(SCHD) are recoverable and a X'22' log record  
2 is written but UPDATE AREA STOP(ACCESS) is not recoverable.

### 2 NAME()

2 Specifies the names of the specific areas that are to be processed or a  
2 group of areas to be processed whose names match the generic or wild  
2 card parameter. NAME(\*) indicates that the command is to be applied to all  
2 the areas in the system.

2 Wildcard parameters can be specified. The area names that match the  
2 generic or wildcard parameter are processed. For specific or wildcard  
2 names, response lines are returned for all the area names that are  
2 processed.

2 When the NAME(\*) is specified, the response lines are returned for only the  
2 area names that resulted in an error. If OPTION(ALLRSP) is specified with  
2 NAME(\*), response lines are returned for all the area names that are  
2 processed.

### 2 OPTION()

2 Specifies the additional functions to be performed. Following is a list of  
2 additional functions:

#### 2 ALLRSP

2 Indicates that the response lines are to be returned for all areas  
2 that are processed on the command. ALLRSP is only valid with  
2 NAME(\*). The default action is to return response lines only for the  
2 areas that resulted in an error.

2 **FEOV** Indicates to force end of volume after the command processing is  
2 complete. The IMS log switches to the next OLDS and a simple  
2 checkpoint is taken. This switch is marked as a recovery point for  
2 log archiving purposes.

2 FEOV is only valid with STOP(ACCESS) and is not valid on an RSR  
2 tracker.

2 **NOFEOV**

2 Indicates to not force end of volume after the command processing  
2 is complete. The IMS log does not switch to the next OLDS and a  
2 simple checkpoint is not taken.

2 OPTION(NOFEOV) is the default. NOFEOV is only valid with  
2 STOP(ACCESS).

2 **SCOPE()**

2 Specifies where IMS should apply changes. The default is ALL.

2 **ACTIVE**

2 SCOPE(ACTIVE) specifies that the changes are to be applied to the  
2 IMS systems that are currently active and to which the command is  
2 routed.

2 **ALL** SCOPE(ALL) specifies that the changes are to be applied to the  
2 active IMS systems.

2 ACTIVE and ALL produce the same results.

2 **START()**

2 Specifies the attributes that are to be started.

2 **ACCESS**

2 Specifies the specific areas of a DEDB to be allocated or  
2 reallocated.

2 An UPDATE AREA START(ACCESS) can be issued on an RSR tracker to  
2 resume tracking for those areas that were stopped or had tracking  
2 errors. In addition, Online Forward Recovery (OFR) is started for  
2 areas that are not current with mainline tracking.

2 For virtual storage option (VSO) areas, the UPDATE AREA  
2 START(ACCESS) can be used to preopen areas that are defined with  
2 the PREOPEN option. For VSO areas defined with the PRELOAD  
2 option, the command causes the areas to be loaded into the z/OS  
2 data space or an XES structure depending on the sharelevel of the  
2 area. The command has no effect on VSO areas that are in virtual  
2 storage.

2 **STOP()**

2 Specifies the attributes that are to be stopped.

2 **ACCESS**

2 Stops the access and updating of the specified DEDB areas and  
2 closes them.

2 The UPDATE AREA STOP(ACCESS) command for VSO areas removes  
2 the areas from the data space or XES structure and forces updates  
2 to be written back to DASD.

2 An UPDATE AREA START(ACCESS) command is required to open and  
2 reallocate the areas closed by the UPDATE AREA STOP(ACCESS)  
2 command.

2 **SCHD** Specifies that the data sets associated to the areas are to be  
2 closed and deallocated.

2 **Note:** An UPDATE AREA START(Access) is required to reallocate the  
 2 areas stopped by the UPDATE AREA STOP(SCHD) command.

2 If UPDATE AREA STOP(SCHD) is processed during HSSP processing,  
 2 the area will be released after the current commit processing  
 2 completes. Any image copy option in process when the command is  
 2 issued can affect the continued system operation.

2 For VSO DEDB areas that are in a z/OS data space or XES  
 2 structure, the UPDATE AREA STOP(SCHD) command action results in  
 2 the removal of the VSO areas from the data space or XES structure  
 2 and having the updates written to DASD.

2 **UPDATE AREA Output Fields**

2 Table 169 shows the UPDATE AREA output fields. The columns in the table are as  
 2 follows:

2 **Short Label**

2 Contains the short label generated in the XML output.

2 **Keyword**

2 Identifies keyword on the command that caused the field to be generated.  
 2 N/A appears for output fields that are always returned. ERR appears for  
 2 output fields that are returned only in case of an error.

2 **Meaning**

2 Provides a brief description of the output field.

3 *Table 169. Output Fields for the UPDATE AREA Command*

Short Label	Keyword	Meaning
AREA	ERR	Area name. The area name is always returned.
CC	N/A	Completion code for the line of output. Completion code is always returned.
EERT	ERR	Error text returned to add more meaning to the completion code and may include a return code from a service. The error text may be returned for a non-zero completion code.
MBR	N/A	The IMSplex member that built the output line. The IMS identifier of the IMS for which the area information is displayed. The IMS identifier is always returned.

2 **Return, Reason, and Completion Codes for UPDATE AREA**

2 An IMS return and reason code is returned to OM by the UPDATE AREA command.  
 2 The OM return and reason codes that may be returned as a result of the UPDATE  
 2 AREA command are standard for all commands entered through the OM API. See  
 2 *IMS Version 9: Common Service Layer Guide and Reference* for a list of the OM  
 2 codes and the code meanings.

2 Table 170 on page 712 includes the return and reason codes and a brief  
 2 explanation of the UPDATE AREA command. Table 171 on page 713 includes an  
 2 explanation of the completion codes. Errors unique to the processing of UPDATE  
 2 AREA command are returned as completion codes. A completion code is returned for  
 2 each action against an individual resource.

Table 170. Return and Reason Codes for the UPDATE AREA Command

Return Code	Reason Code	Meaning
X'00000000'	X'00000000'	The UPDATE AREA command completed successfully.
X'00000008'	X'00002014'	The UPDATE AREA command is not processed because an invalid character is found in the area name parameter.
X'00000008'	X'00002040'	More than one filter or keyword value is specified on the UPDATE AREA command. Either more than one keyword or an invalid combination of filters was specified. For example, START (ACCESS) and STOP (ACCESS) was specified, or OPTION (NOFE0V, FE0V) was specified. Check the input command and reenter the correct combinations.
X'0000000C'	X'00003000'	The UPDATE AREA command is successful for at least one resource name. The UPDATE AREA command was not successful for one or more resource names. The completion code indicates the reason for the error with the resource name. The completion codes that can be returned by the UPDATE AREA command are listed in Table 171 on page 713.
X'0000000C'	X'00003004'	The UPDATE AREA command was not successful for all the resource name(s) specified. The completion code indicates the reason for the error with the resource name. The completion codes that can be returned by the UPDATE AREA command are listed in Table 171 on page 713.
X'00000010'	X'0000400C'	The UPDATE AREA command is not processed because the flavor entered is not valid on the XRF alternate.
X'00000010'	X'00004014'	The UPDATE AREA command is not processed because the function is not valid on the RSR tracker.
X'00000010'	X'00004024'	The UPDATE AREA command is not processed because Fast Path is not installed.
X'00000014'	X'00005004'	The UPDATE AREA command processing terminated because a DFSCOMD response buffer could not be obtained.
X'00000014'	X'00005008'	The UPDATE AREA command processing terminated because a DFSPPOOL storage could not be obtained.
X'00000014'	X'0000500C'	The UPDATE AREA command processing terminated because AWE could not be obtained.
X'00000014'	X'00005014'	The UPDATE AREA command processing terminated because a WKAP storage could not be obtained.
X'00000014'	X'00005FFF'	The UPDATE AREA command processing terminated due to an internal error.





Table 171. Completion Codes for the UPDATE AREA Command (continued)

Completion Code	Meaning
F6	ADS number discrepancy.  The command failed for the AREA because there is a discrepancy between the number of ADS allocated by IMS and the number of ADS known to DBRC. Correct the discrepancy and reissue the command to deallocate the data sets.
F7	Area is not loaded into CF.  The AREA OPEN failed and is not loaded into the Coupling Facility.
F8	Area has I/O tolerated CI.  The command is not processed because the AREA has a I/O tolerated CI.
F9	Area has second CI EEQE.  The command is not processed because the AREA has a second CI EEQE.

## The UPDATE AREA Command Compared to Other Commands

Table 172 shows different instances of the UPDATE AREA command and other IMS commands that perform similar functions.

Table 172. UPDATE AREA Command Compared to Other Similar IMS Commands

UPDATE AREA Command	Similar IMS Commands
UPDATE AREA NAME(name) STOP(ACCESS)	/DBR AREA areaname
UPDATE AREA NAME(name) START(ACCESS)	/START AREA areaname
UPDATE AREA NAME(name) STOP(SCHD)	/STOP AREA areaname

## Examples for UPDATE AREA Command

The following are examples of the UPDATE AREA command:

### Example 1 for UPDATE AREA Command

TSO SPOC input:

```
UPD AREA NAME(DB21AR1*) STOP(ACCESS)
```

TSO SPOC output:

```
AreaName MbrName CC
DB21AR1 IMS2 0
DB21AR1 SYS3 0
DB21AR10 IMS2 0
DB21AR10 SYS3 0
DB21AR11 IMS2 0
DB21AR11 SYS3 0
```

OM API input:

```
CMD(UPD AREA NAME(DB21AR1*) STOP(ACCESS))
```

OM API output:

```

|
| <imsout>
| <ctl>
| <omname>OM10M </omname>
| <omvsn>1.2.0</omvsn>
| <xmlvsn>1 </xmlvsn>
| <statime>2003.132 16:17:33.260435</statime>
| <stotime>2003.132 16:17:33.281165</stotime>
| <staseq>B968A333F5A93283</staseq>
| <stoseq>B968A333FAB8DC83</stoseq>
| <rqsttkn1>USRT005 10091733</rqsttkn1>
| <rc>00000000</rc>
| <rsn>00000000</rsn>
| </ctl>
| <cmd>
| <master>IMS2 </master>
| <userid>USRT005 </userid>
| <verb>UPD </verb>
| <kwd>AREA </kwd>
| <input>UPD AREA NAME(DB21AR1*) STOP(ACCESS) </input>
| </cmd>
| <cmdrsphdr>
| <hdr s1b1="AREA" l1b1="AreaName" scope="LCL" sort="a" key="1"
| scroll="no" len="8" dtype="CHAR" align="left" skipb="no" />
| <hdr s1b1="MBR" l1b1="MbrName" scope="LCL" sort="a" key="2" scroll="no"
| len="8" dtype="CHAR" align="left" skipb="no" />
| <hdr s1b1="CC" l1b1="CC" scope="LCL" sort="n" key="0" scroll="yes"
| len="4" dtype="INT" align="right" skipb="no" />
| <hdr s1b1="ERRT" l1b1="ErrorText" scope="LCL" sort="n" key="0"
| scroll="yes" len="16" dtype="CHAR" align="left" skipb="yes" />
| </cmdrsphdr>
| <cmdrspdata>
| <rsp>AREA(DB21AR1 ) MBR(IMS2 ) CC( 0) </rsp>
| <rsp>AREA(DB21AR10) MBR(IMS2 ) CC( 0) </rsp>
| <rsp>AREA(DB21AR11) MBR(IMS2 ) CC( 0) </rsp>
| <rsp>AREA(DB21AR1 ) MBR(SYS3 ) CC( 0) </rsp>
| <rsp>AREA(DB21AR10) MBR(SYS3 ) CC( 0) </rsp>
| <rsp>AREA(DB21AR11) MBR(SYS3 ) CC( 0) </rsp>
| </cmdrspdata>
| </imsout>

```

Explanation: The command stops access to all the areas that match the area name specified and makes them unavailable. The areas data sets are closed and deallocated.

## Example 2 of UPDATE AREA Command

TSO SPOC input:

```
UPD AREA NAME(*) STOP(SCHD)
```

TSO SPOC output:

```

Log for . . . : UPD AREA NAME(*) STOP(SCHD)
IMSpIex . . . . . : PLEX1
Routing . . . . . :
Start time. . . . : 2003.132 09:22:15.79
Stop time . . . . : 2003.132 09:22:17.53
Return code . . . : 00000000
Reason code . . . : 00000000
Command master. . IMS2

```

OM API input:

```
CMD(UPD AREA NAME(*) STOP(SCHD))
```

OM API output:

```

2      <imsout>
2      <ctl>
2      <omname>OM10M  </omname>
2      <omvsn>1.2.0</omvsn>
2      <xmlvsn>1  </xmlvsn>
2      <statime>2003.132 16:22:15.799896</statime>
2      <stotime>2003.132 16:22:17.536107</stotime>
2      <staseq>B968A44169058C8E</staseq>
2      <stoseq>B968A44310E6BE2D</stoseq>
2      <rqsttkn1>USRT005 10092215</rqsttkn1>
2      <rc>00000000</rc>
2      <rsn>00000000</rsn>
2      </ctl>
2      <cmd>
2      <master>IMS2  </master>
2      <userid>USRT005 </userid>
2      <verb>UPD </verb>
2      <kwd>AREA  </kwd>
2      <input>UPD AREA NAME(*) STOP(SCHD) </input>
2      </cmd>
2      </imsout>

```

2 Explanation: The command is routed to IMS2 and SYS3 and the command is  
2 successful at both IMSs. No response lines are returned because the default action  
2 for NAME(\*) is to return response lines only for the area names that resulted in an  
2 error. OPTION(ALLRSP) can be specified to obtain all the area names processed  
2 on the command.

---

## UPDATE DATAGRP

| The UPDATE DATAGRP command allows changes to the status of the members of a  
| data group. The command can only be specified through the OM API and can be  
| processed only by the DB/DC and DBCTL environments. In addition, the UPDATE  
| DATAGRP command is not allowed on the XRF alternate.

| When the UPDATE DATAGRP command is issued, it only applies to the IMS system to  
| which it is routed. It does not apply to the other IMS systems in the IMSplex that  
| share the database or areas in the data group. The routing of the UPDATE DATAGRP  
| command is done by OM. OM routes the command to all active DB/DC or DBCTL  
| IMS systems, unless specific routing is specified. OM selects one IMS as the  
| command master.

| A response line is returned for the data group name from each IMS. Response lines  
| are also returned for each data group member that resulted in an error. No  
| response lines are returned for the data group members that are processed  
| successfully unless OPTION(ALLRSP) is specified.

### NAME()

| Specifies the name of the data group to be processed.

### OPTION()

| Specifies the additional functions to be performed. Following is a list of  
| additional functions:

### ALLRSP

| Indicates that the response lines are to be returned for all the  
| members of the datagroup (all databases, areas, or both) that are  
| processed on the command.

The default action is to return response lines only for the databases and areas or both that resulted in an error. A response line with the datagroup name is always returned.

#### **DBALLOC**

Indicates that the databases in the data group are to be allocated when they are started.

DBALLOC can only be specified with START(Access).

Only one of DBALLOC or NODBALLOC can be specified.

**FEOV** Indicates to force end of volume after the command processing is complete. The IMS log switches to the next OLDS and a simple checkpoint is taken. This switch is marked as a recovery point for log archiving purposes.

FEOV is only valid with STOP(Access). FEOV is not valid on an RSR tracker.

#### **NODBALLOC**

Indicates that the databases in the data group are not to be allocated when they are started. The databases will be allocated when they are scheduled.

NODBALLOC can only be specified with START(Access).

NODBALLOC is the default action for UPDATE DATAGRP command if OPTION(DBALLOC) is not specified.

Only one of DBALLOC or NODBALLOC can be specified.

#### **NOFEOV**

Indicates to not force end of volume after the command processing is complete. The IMS log does not switch to the next OLDS and a simple checkpoint is not taken.

OPTION(NOFEOV) is the default action after the UPDATE DATAGRP STOP(Access) command is processed.

NOFEOV is only valid with STOP(Access).

#### **SCOPE()**

Specifies where IMS should apply the change.

##### **ACTIVE**

SCOPE(ACTIVE) specifies that the changes are to be applied to the IMS systems that are currently active and to which the command is routed.

**ALL** SCOPE(ALL) specifies that the changes are to be applied to the active IMS systems.

Currently, ACTIVE and ALL produce the same results.

**SET()** Specifies the attribute values to be changed or sets the database state.

##### **ACCTYP**

Specifies the access intent for the named database. This keyword can be specified only if START(Access) is specified. This keyword overrides the database access intent specified at system definition.

##### **BRWS**

Specifies that the named database is available for read-only processing on this IMS subsystem. The only programs that

can use the database on this subsystem are those that have a PCB processing option of GO (PROCOPT=GO). Programs that access the data using the GO processing option might see uncommitted data because a sharing IMS subsystem may be updating the database. The database is opened for read-only.

**EXCL** Specifies that the named database is to be used exclusively by this IMS subsystem. This exclusive access is guaranteed only when the database is registered to DBRC.

**READ** Specifies that the named database is available for read-only processing in this IMS subsystem. Programs with update intent can be scheduled, but cannot update the database. ACCTYP of READ differs from ACCTYP of BRWS in that the data is read with integrity(locking is performed) and all programs can access the data, not just those with a processing option of GO. The database is opened for read-only.

**UPD** Specifies that the named database is available for update as well as read processing in this IMS subsystem.

#### **OFFLINE**

Specifies that offline processing is to be performed for the members of the specified data group.

#### **START()**

Specifies the attributes that are to be started.

#### **ACCESS**

Specifies that the members of the specified data group name are to be started. See UPDATE AREA START(ACCESS) and UPDATE DB START(ACCESS) for a description of the actions performed on the databases and areas in the data group.

Additional functions to be performed along with START(ACCESS) can be specified using the OPTION keyword.

An UPDATE DATAGRP START(ACCESS) command with SET(ACCTYP) or OPTION(DBALLOC|NODBALLOC|NOBACKOUT|OPEN|NOOPEN) is invalid on the RSR tracker.

#### **STOP()**

Specifies the attributes to be stopped.

#### **ACCESS**

Specifies that offline processing is to be done for the members of the specified datagroup. See UPDATE AREA STOP(ACCESS) and UPDATE DB STOP(ACCESS) for a description of the actions performed on the databases and areas in the data group.

**SCHD** Specifies that the members of the specified data group name are to be stopped. See UPDATE AREA STOP(ACCESS) and UPDATE DB STOP(ACCESS) for a description of the actions performed on the databases and areas in the data group.

## **UPDATE DATAGRP Output Fields**

Table 173 on page 719 shows the output fields for the UPDATE DATAGRP. The columns in the table are as follows:

**Short Label**

Contains the short label generated in the XML output.

**Keyword**

Identifies the keyword on the command that caused the field to be generated. N/A appears for output fields that are always returned. ERR appears for output fields that are returned only in case of an error.

**Meaning**

Provides a brief description of the output field.

Table 173. Output Fields for UPDATE DATAGRP Command

Short Label	Keyword	Meaning
AREA	N/A	Area name. The Area name is returned if there are one or more areas in the data group.
CC	N/A	Completion code for the line of output. Completion code is always returned.
DB	N/A	Database name. The database name is returned if there are one or more databases in the data group.
DG	N/A	Data group name. The data group name is always returned.
ERRT	ERR	Error text returned to add more meaning to the completion code and may include a return code from a service. The error text is only returned if the completion code is non-zero.
MBR	N/A	The IMSplex member that built output line. The IMS identifier of the IMS for which the database information is displayed. The IMS identifier is always returned.

## Return, Reason, and Completion Codes for the UPDATE DATAGRP Command

An IMS return and reason code is returned to OM by the UPDATE DATAGRP command. The OM return and reason codes that may be returned as a result of the UPDATE DATAGRP command are standard for all commands entered through the OM API. See *IMS Version 9: Common Service Layer Guide and Reference* for a list of the OM codes and the code meanings.

Table 174 includes the return and reason codes and a brief explanation of the UPDATE DATAGRP command. Table 175 on page 720 includes an explanation of the completion codes. Errors unique to the processing of UPDATE DATAGRP command are returned as completion codes. A completion code is returned for each action against an individual resource.

Table 174. Return and Reason Codes for the UPDATE DATAGRP Command

Return Code	Reason Code	Meaning
X'00000000'	X'00000000'	The UPDATE DATAGRP command completed successfully.
X'00000008'	X'00002004'	An invalid keyword or more than one keyword is specified on the UPDATE DATAGRP command.
X'00000008'	X'00002014'	The UPDATE DATAGRP command is not processed because an invalid character is found in the data group name.

Table 174. Return and Reason Codes for the UPDATE DATAGRP Command (continued)

Return Code	Reason Code	Meaning
X'00000008'	X'00002040'	More than one filter or keyword value is specified on the UPDATE DATAGRP command. Either more than one keyword or an invalid combination of filters was specified. For example, START(Access) and STOP(Access) was specified, or OPTION(DBALLOC,NODBALLOC) was specified. Check the input command and reenter the correct combinations.
X'0000000C'	X'00003000'	The UPDATE DATAGRP command is successful for at least one member in the data group. The UPDATE DATAGRP command is not successful for one or more members in the data group. The completion code indicates the reason for the error with the data group member name. The completion codes that can be returned by the UPDATE DATAGRP command are listed in the UPDATE DATAGRP completion code table.
X'0000000C'	X'00003004'	The UPDATE DATAGRP command is not successful for all the members in the data group. The completion code indicates the reason for the error with the data group member name. The completion codes that can be returned by the UPDATE DATAGRP command are listed in the UPDATE DATAGRP completion code table.
X'00000010'	X'0000400C'	The UPDATE DATAGRP command is not processed because the flavor entered is not valid on the XRF alternate.
X'00000010'	X'00004014'	The UPDATE DATAGRP command is not processed because the function is not valid on the RSR tracker.
X'00000014'	X'00005004'	The UPDATE DATAGRP command processing terminated because a DFSOCMD response buffer could not be obtained.
X'00000014'	X'00005008'	The UPDATE DATAGRP command processing terminated because DFSPOOL storage could not be obtained.
X'00000014'	X'0000500C'	The UPDATE DATAGRP command processing terminated because AWE could not be obtained.
X'00000014'	X'00005014'	The UPDATE DATAGRP command processing terminated because a WKAP storage could not be obtained.
X'00000014'	X'00005FFF'	The UPDATE DATAGRP command processing terminated due to an internal error.

Table 175. Completion Codes for the UPDATE DATAGRP Command

Completion Code	Meaning
	See UPDATE AREA completion code table (Table 171 on page 713) for codes that can be returned for the areas in a data group.
	See UPDATE DB completion code table ( Table 179 on page 731 ) for codes that can be returned for the databases in the data group.

## UPDATE DATAGRP Compared to Other Commands

Table 176 on page 721 shows different instances of the UPDATE DATAGRP command and other IMS commands that perform similar functions.



Table 176. UPDATE DATAGRP Command Compared to Other IMS Commands

UPDATE DATAGRP Command	Similar IMS Commands
UPDATE DATAGRP NAME(name) STOP(ACCESS)	/DBR DATAGRP datagrpname
UPDATE DATAGRP NAME(name) START(ACCESS)	/START DATAGRP datagrpname
UPDATE DATAGRP NAME(name) STOP(SCHD)	/STOP DATAGRP datagrpname

## Examples for UPDATE DATAGRP Command

The following are examples of the UPDATE DATAGRP command:

### Example 1 for UPDATE DATAGRP Command

TSO SPOC input:

```
UPD DATAGRP NAME(GROUP1) STOP(ACCESS)
```

TSO SPOC output:

```
DataGroup DBName   AreaName MbrName   CC
GROUP1          IMSA       0
GROUP1          IMS1       8
GROUP1   DEDBJN03   IMS1       C
GROUP1   DEDBJN03 DB3AREA0 IMS1      F0
```

OM API input:

```
CMD(UPD DATAGRP NAME(GROUP1) STOP(ACCESS))
```

OM API output:

```
<imsout>
<ctl>
<omname>OM10M  </omname>
<omvsn>1.2.0</omvsn>
<xm1vsn>1  </xm1vsn>
<statime>2003.129 22:45:55.898843</statime>
<stotime>2003.129 22:45:55.990001</stotime>
<staseq>B965346AB45DB229</staseq>
<stoseq>B965346ACA9F1263</stoseq>
<rqsttkn1>USRT005 10154555</rqsttkn1>
<rc>0200000C</rc>
<rsn>00003000</rsn>
</ctl>
<cmderr>
<mbr name="IMS1  ">
<typ>IMS  </typ>
<styp>DBDC  </styp>
<rc>0000000C</rc>
<rsn>00003000</rsn>
</mbr>
</cmderr>
<cmd>
<master>IMSA  </master>
<userid>USRT005  </userid>
<verb>UPD  </verb>
<kwd>DATAGRP  </kwd>
<input>UPD DATAGRP NAME(GROUP1) STOP(ACCESS)  </input>
</cmd>
<cmdrsphdr>
<hdr s1b1="DG" l1b1="DataGroup" scope="LCL" sort="a" key="1"
  scroll="no" len="8" dtype="CHAR" align="left" skipb="no" />
<hdr s1b1="DB" l1b1="DBName" scope="LCL" sort="a" key="3" scroll="no"
  len="8" dtype="CHAR" align="left" skipb="yes" />
<hdr s1b1="AREA" l1b1="AreaName" scope="LCL" sort="a" key="4"
  scroll="no" len="8" dtype="CHAR" align="left" skipb="yes" />
```

```

| <hdr s1b1="MBR" l1b1="MbrName" scope="LCL" sort="a" key="2" scroll="no"
|   len="8" dtype="CHAR" align="left" skipb="no" />
| <hdr s1b1="CC" l1b1="CC" scope="LCL" sort="n" key="0" scroll="yes"
|   len="4" dtype="INT" align="right" skipb="no" />
| <hdr s1b1="ERRT" l1b1="ErrorText" scope="LCL" sort="n" key="0"
|   scroll="yes" len="16" dtype="CHAR" align="left" skipb="yes" />
| </cmdrsphdr>
| <cmdrspdata>
| <rsp>DG(GROUP1 ) MBR(IMSA ) CC( 0) </rsp>
| <rsp>DB(DEDBJN03) AREA(DB3AREA0) DG(GROUP1 ) MBR(IMS1 ) CC( F0)
| </rsp>
| <rsp>DB(DEDBJN03) DG(GROUP1 ) MBR(IMS1 ) CC( C) </rsp>
| <rsp>DG(GROUP1 ) MBR(IMS1 ) CC( 8) </rsp>
| </cmdrspdata>
| </imsout>

```

Explanation: The command stops access to all the members of datagroup GROUP1 and takes them offline. The command response lines are returned for all the databases or areas that resulted in an error. No response lines are returned for members for which the command was successful.

## Example 2 for UPDATE DATAGRP Command

TSO SPOC input:

```
UPD DATAGRP NAME(GROUP1) START(ACCESS) OPTION(ALLRSP)
```

TSO SPOC output:

DataGroup	DBName	AreaName	MbrName	CC
GROUP1			IMSA	0
GROUP1		DB21AR1	IMSA	0
GROUP1	BE3PARTS		IMSA	0
GROUP1	DEDBJN03		IMSA	0
GROUP1			IMS1	0
GROUP1		DB21AR1	IMS1	0
GROUP1	BE3PARTS		IMS1	0
GROUP1	DEDBJN03		IMS1	0

OM API input:

```
CMD(UPD DATAGRP NAME(GROUP1) START(ACCESS) OPTION(ALLRSP))
```

OM API output:

```

| <imsout>
| <ctl>
| <omname>OM10M </omname>
| <omvsn>1.2.0</omvsn>
| <xmlvsn>1 </xmlvsn>
| <statime>2003.129 22:46:51.490484</statime>
| <stotime>2003.129 22:46:51.672332</stotime>
| <staseq>B965349FB88B4445</staseq>
| <stoseq>B965349FE4F0C36A</stoseq>
| <rqsttkn1>USRT005 10154651</rqsttkn1>
| <rc>00000000</rc>
| <rsn>00000000</rsn>
| </ctl>
| <cmd>
| <master>IMSA </master>
| <userid>USRT005 </userid>
| <verb>UPD </verb>
| <kwd>DATAGRP </kwd>
| <input>UPD DATAGRP NAME(GROUP1) START(ACCESS) OPTION(ALLRSP) </input>
| </cmd>
| <cmdrsphdr>
| <hdr s1b1="DG" l1b1="DataGroup" scope="LCL" sort="a" key="1"
|   scroll="no" len="8" dtype="CHAR" align="left" skipb="no" />

```

```

| <hdr slbl="DB" llbl="DBName" scope="LCL" sort="a" key="3" scroll="no"
|   len="8" dtype="CHAR" align="left" skipb="yes" />
| <hdr slbl="AREA" llbl="AreaName" scope="LCL" sort="a" key="4"
|   scroll="no" len="8" dtype="CHAR" align="left" skipb="yes" />
| <hdr slbl="MBR" llbl="MbrName" scope="LCL" sort="a" key="2" scroll="no"
|   len="8" dtype="CHAR" align="left" skipb="no" />
| <hdr slbl="CC" llbl="CC" scope="LCL" sort="n" key="0" scroll="yes"
|   len="4" dtype="INT" align="right" skipb="no" />
| <hdr slbl="ERRT" llbl="ErrorText" scope="LCL" sort="n" key="0"
|   scroll="yes" len="16" dtype="CHAR" align="left" skipb="yes" />
| </cmdrsphdr>
| <cmdrspdata>
| <rsp>DB(DEDDBJN03) DG(GROUP1 ) MBR(IMSA ) CC( 0) </rsp>
| <rsp>DB(BE3PARTS) DG(GROUP1 ) MBR(IMSA ) CC( 0) </rsp>
| <rsp>AREA(DB21AR1 ) DG(GROUP1 ) MBR(IMSA ) CC( 0) </rsp>
| <rsp>DG(GROUP1 ) MBR(IMSA ) CC( 0) </rsp>
| <rsp>DB(DEDDBJN03) DG(GROUP1 ) MBR(IMS1 ) CC( 0) </rsp>
| <rsp>DB(BE3PARTS) DG(GROUP1 ) MBR(IMS1 ) CC( 0) </rsp>
| <rsp>AREA(DB21AR1 ) DG(GROUP1 ) MBR(IMS1 ) CC( 0) </rsp>
| <rsp>DG(GROUP1 ) MBR(IMS1 ) CC( 0) </rsp>
| </cmdrspdata>
| </imsout>

```

Explanation: The command starts access of all the members of datagroup, GROUP1, and makes them available. The command response lines are returned for all the databases or areas that are processed with OPTION(ALLRSP) specified.

---

## UPDATE DB

The UPDATE DB command allows changes to the status of database resources. For example, make a database available, take the database offline, stop scheduling, stop updates, lock, and unlock a database. The UPDATE DB command may only be specified through the OM API and can only be processed by the DB/DC and DBCTL environments. Also, the command is not allowed on the XRF alternate system.

When the UPDATE DB command is issued, it only applies to the IMS system to which it is routed. The command is not processed by other IMS systems in the IMSplex that share the database but do not receive the command. The routing of the UPDATE DB command is done by OM. OM routes the command to all active DB/DC or DBCTL IMS systems, unless specific routing is specified. OM selects one IMS as the command master.

The UPDATE DB SET(LOCK(ON)), UPDATE DB SET(LOCK(OFF)), UPDATE DB STOP(SCHD), and UPDATE DB STOP(UPDATES) commands are not allowed on an RSR tracker. The UPDATE DB START(ACCESS) with SET(ACCTYP) or OPTION(DBALLOC|NOBALLOC|NOBACKOUT|OPEN|NOOPEN) are also invalid on the RSR tracker.

The UPDATE DB command is valid for HALDB databases. If the command is issued for a HALDB master, it applies to all the HALDB partitions. Each partition inherits the access limitations of the HALDB master. However, the status condition is only displayed on the HALDB master and not on the partitions. If the command is issued on one HALDB partition, it applies only to that HALDB partition and not the HALDB master.

### NAME()

Specifies the names of the specific databases that are to be processed or indicates that the command is to be applied to all the databases in the system if NAME(\*) is specified.

NAME(\*) is the architected method on IMSplex commands to allow the user to specify that the command applies to all the database resources.

Wildcard parameters can be specified on the NAME keyword. The database names that match the generic or wildcard parameter are processed. For specific or wildcard names, response lines are returned for all the database names that are processed.

For NAME(\*), response lines are returned for all database names that resulted in an error. If OPTION(ALLRSP) is specified with NAME(\*), response lines are returned for all the database names that are processed.

When the database specified is a DEDB, a response line is returned for the DEDB name. A response line is also returned for all the areas of a DEDB that resulted in errors. A response line is not returned for the areas of a DEDB for which the command action is successful.

### OPTION()

Specifies additional functions to be performed along with the UPDATE DB command.

#### ALLRSP

Indicates that the response lines are to be returned for all databases that are processed on the command. The default action is to return response lines only for the databases that resulted in an error. It is only valid with NAME(\*) .

#### DBALLOC

Indicates that the database is to be allocated when it is started.

DBALLOC can only be specified with START(ACCESS). DBALLOC is the default action when specific database names are specified on the command. Only one of DBALLOC or NODBALLOC can be specified.

OPTION(DBALLOC) is not valid for a HALDB master.

**FEOV** Indicates to force end of volume after the command processing is complete.

The IMS log switches to the next OLDS and a simple checkpoint is taken. This switch is marked as a recovery point for log archiving purposes. FEOV is only valid with STOP(UPDATES) and STOP(ACCESS).

FEOV does not apply to an RSR tracker.

#### NOBACKOUT

Indicates to suppress backout restart for a database not registered in DBRC.

NOBACKOUT can only be specified with START(ACCESS) and is not valid with NAME(\*) . OPTION(NOBACKOUT) is not valid for a HALDB master.

#### NODBALLOC

Indicates that the database is not to be allocated when it is started.

The database will be allocated when it is scheduled. NODBALLOC can only be specified with START(ACCESS). NODBALLOC is the default action when NAME(\*) is specified. Only one of DBALLOC or NODBALLOC can be specified. OPTION(NODBALLOC) is ignored for HALDB masters.

**NOFEOV**

Indicates to not force end of volume after the command processing is complete. The IMS log does not switch to the next OLDS and a simple checkpoint is not taken. NOFEOV is the default.

OPTION(NOFEOV) can be specified with STOP(ACCESS) and STOP(UPDATES).

**NOOPEN**

Indicates that the database is not to be opened when it is started.

NOOPEN can only be specified with START(ACCESS). NOOPEN is the default action unless the database has EEQE's.

Only one of OPEN or NOOPEN can be specified. OPTION(NOOPEN) is not valid for a HALDB master.

**OPEN**

Indicates that the database is to be opened when it is started. OPEN can only be specified with START(ACCESS).

OPEN cannot be specified with NAME(\*) or if NODBALLOC is specified. Only one of OPEN or NOOPEN can be specified. OPTION(OPEN) is not valid for a HALDB master.

**SCOPE()**

Specifies where IMS should apply the change.

**ACTIVE**

Specifies that the changes are to be applied to the IMS systems that are currently active and to which the command is routed.

**ALL**

Specifies that the changes are to be applied to the active IMS systems.

Currently, ACTIVE and ALL produce the same results.

**SET()**

Specifies the attribute values to be changed or sets the database state.

**ACCTYP**

Specifies the access intent for the named database. This keyword can be specified only if START(ACCESS) is specified. This keyword overrides the database access intent specified at system definition.

**BRWS**

Specifies that the named database is available for read-only processing on this IMS subsystem. The only programs that can use the database on this subsystem are those that have a PCB processing option of GO (PROCOPT=GO). Programs that access the data using the GO processing option might see uncommitted data since a sharing IMS subsystem could be updating the database. The database is opened for read only.

**EXCL**

Specifies that the named database is to be used exclusively by this IMS subsystem. This exclusive access is guaranteed only when the database is registered to DBRC.

**READ**

Specifies that the named database is available for read-only processing in this IMS subsystem. Programs with update intent can be scheduled, but cannot update the database. ACCTYP of READ differs from ACCTYP of BRWS in that the data is read with integrity (locking is performed) and all

programs can access the data, not just those with a processing option of GO. The database is opened for read-only.

**UPD** Specifies that the named database is for update as well as read processing in the IMS subsystem.

**LOCK** Locks and unlocks the specified database. NAME(\*) cannot be specified with SET(LOCK(ON|OFF)).

**ON** Locks and prevents subsequently scheduled programs from accessing the database, without affecting currently scheduled programs. The database is not closed.

For a shared secondary index database, an UPDATE DB SET(LOCK(ON)) on the first secondary index or subsequent secondary indexes affects only the named database.

**OFF** Unlocks the specified databases and resets the effect of an UPDATE DB SET(LOCK(ON)) command. An UPDATE DB SET(LOCK(OFF)) on the first secondary index or subsequent secondary indexes affects only the named database.

### START()

Specifies the attributes that are to be started.

#### ACCESS

The UPDATE DB START(ACCESS) command starts the database and permits access from transactions or programs. The UPDATE DB START(ACCESS) command resets the actions done by a prior UPDATE DB STOP(SCHD), or UPDATE DB STOP(UPDATE). The access intent is set to the database access intent specified at system definition unless SET(ACCTYPE) is specified.

The UPDATE DB START(ACCESS) command can be used to allocate or reallocate all databases other than DEDBs. For a DEDB, an UPDATE AREA command can be used to allocate or reallocate the DEDB areas.

For a DEDB, the UPDATE DB START(ACCESS) command also causes any unloaded randomizer, that was specified in the DBD source, to be reloaded.

When the UPDATE DB START(ACCESS) command is specified for a HALDB partition, the partition is not allocated unless it has EEQEs, the OPEN keyword is specified, or it was previously authorized but not allocated. The action taken to allocate the data sets is dependant on the status of the master database and its availability.

The UPDATE DB START(ACCESS) command may reset the USTOPPED status for transactions that are suspended. If the transaction is suspended and its processing program has access to the started database, the UPDATE DB START(ACCESS) command will result in the USTOPPED attribute being reset. Any messages on the suspend queue for that transaction will be transferred to the normal processing queue.

If there was a prior dynamic backout or emergency restart backout failure, then the UPDATE DB START(ACCESS) command will attempt to perform the backout again.

If the database is registered to DBRC, then DBRC is informed when batch backout is successfully executed, and the failing backout will not be attempted again when a UPDATE DB START(ACCESS) command is issued.

The UPDATE DB START(ACCESS) command is not processed for the databases being accessed by batch programs.

For a HIDAM database, the UPDATE DB START(ACCESS) command must be issued for both the index and the data area DBD. If a backout failure occurs for this database, the command causes the backout to be attempted again.

On an RSR tracker, the UPDATE DB START(ACCESS) command can be used to resume tracking for those databases that were stopped by a tracking subsystem processing. The command can also be used to start online forward recovery (OFR) for those databases that are not current with mainline tracking.

For shared secondary index databases, the UPDATE DB START(ACCESS) can be issued on the first secondary index or subsequent secondary indexes to undo the actions of the prior UPDATE DB STOP(SCHD) and UPDATE DB STOP(UPDATES) commands.

Additional functions can be performed with START(ACCESS) by specifying the OPTION keyword. OPTION(DBALLOC | NODBALLOC), OPTION(NOBACKOUT), OPTION(NOOOPEN | OPEN) can be specified along with START(ACCESS). The OPTION keyword is not valid for a HALDB master.

## STOP()

Specifies the attributes that are to be stopped.

### ACCESS

Starts offline processing of the database. This closes and deallocates the database and unauthorizes the database to DBRC. An UPDATE DB START(ACCESS) command is required to reset the effect of an UPDATE DB STOP(ACCESS).

OPTION(NOFEOV) is the default action for STOP(ACCESS). The IMS log is not switched to the next OLDS and a simple checkpoint is not taken. OPTION(FEOV) can be specified on the command to switch to the next OLDS and take an IMS simple checkpoint.

The UPDATE DB STOP(ACCESS) command can be used on a database readiness level (DLT) tracker to take shadow areas and databases offline for image copy and recovery. The command can also be used to stop online forward recovery (OFR) in progress for the specified database.

The UPDATE DB STOP(ACCESS) command will not deallocate a data set if a VSAM data set hardware error occurred. For shared secondary index databases, an UPDATE DB STOP(ACCESS) on the first secondary index affects all databases sharing the secondary index dataset. An UPDATE DB STOP(ACCESS) command on the subsequent secondary indexes affects only the named database.

**SCHD** Stops or prevents subsequently scheduled programs from accessing the database, without affecting currently scheduled programs. The database is not closed.



An UPDATE DB START (ACCESS) command can be used to reset the effect of an UPDATE DB STOP (SCHD) command.

If the command is issued for a DEDB or MSDB, programs using the database will not be scheduled. For other databases, the programs will still be scheduled. If the INIT call was issued, however, a call against the database will result in either a 3308 pseudo abend or a BA status code.

When the UPDATE DB STOP (SCHD) command is issued for a database that is in use by an MPP region, the command is processed after the region completes processing the current message. After the current message processing is complete, the application program receives a QC status indicating no more messages even if there are messages to be processed.

When the UPDATE DB STOP (SCHD) command is issued for a database that is in use by a BMP region, the command is rejected.

In a DBCTL system, CCTL can specify LONG or SHORT when it schedules a PSB. When the UPDATE DB STOP (SCHD) command is issued for a database that is in use by a LONG thread, the command is rejected. When the command is issued for a database that is in use by a SHORT thread, the thread completes before the command is processed.

For a shared secondary index database, an UPDATE DB STOP (SCHD) on the first secondary index or subsequent secondary indexes affects only the named databases.

## UPDATES

Stops or prevents transactions or programs from updating the specified DL/I database.

STOP (UPDATES) is not valid for DEDBs or MSDBs.

An UPDATE DB START (ACCESS) command is required to reset the effect of an UPDATE DB STOP (UPDATES) command.

When the UPDATE DB STOP (UPDATES) command is processed, the message processing regions using the specified database are terminated at the conclusion of processing their transactions in preparation to close the database and allow the databases to be opened input only. As the message processing regions terminate programs, the data sets of the database are closed.

OPTION (FE0V) forces the IMS log to switch to the next OLDS. This switch to the next OLDS is marked as a recovery point for log archiving purposes. IMS also issues a simple checkpoint. OPTION (NOFE0V), which is the default, overrides this action.

After the command is processed, the scheduling of transactions is resumed. No transactions will be allowed to update the specified databases. Programs with update intent will be scheduled, but update calls to DL/I databases will result in a 3303 pseudoabend, a BA, or BB status code. The pseudoabend or status codes appear only if the application program informed IMS through the INIT STATUS GROUPA or GROUPB call that it is prepared to accept status codes regarding data unavailability.



An UPDATE DB STOP(UPDATES) on the first secondary index affects all databases sharing the secondary index data set. An UPDATE DB STOP(UPDATES) on subsequent secondary indexes affects only the named database.

## UPDATE DB Output Fields

Table 177 shows the output fields for the UPDATE DB . The columns in the table are as follows:

### Short Label

Contains the short label generated in the XML output.

### Keyword

Identifies the keyword on the command that caused the field to be generated. N/A appears for output fields that are always returned. ERR appears for output fields that are returned only in case of an error.

### Meaning

Provides a brief description of the output field.

Table 177. UPDATE DB Output Fields

Short Label	Keyword	Meaning
AREA	ERR	Area name of the DEDB that resulted in an error during the processing of the command.
CC	N/A	Completion code for the line of output. Completion code is always returned.
DB	N/A	Database name. The database name is always returned.
ERRT	ERR	Error text returned to add more meaning to the completion code and may include a return code from a service. The error text is only returned if the completion code is non-zero.
MBR	N/A	IMSplex member that built output line. IMS identifier of the IMS for which the database information is displayed. IMS identifier is always returned.

## Return, Reason, and Completion Codes for the UPDATE DB Command

An IMS return and reason code is returned to OM by the UPDATE DB command. The OM return and reason codes that may be returned as a result of the UPDATE DB command are standard for all commands entered through the OM API. See *IMS Version 9: Common Service Layer Guide and Reference* for a list of the OM codes and the code meanings.

Table 178 includes the return and reason codes and a brief explanation of the UPDATE DB command. Table 179 on page 731 includes an explanation of the completion codes. Errors unique to the processing of UPDATE DB command are returned as completion codes. A completion code is returned for each action against an individual resource.

Table 178. Return and Reason Codes for UPDATE DB

Return Code	Reason Code	Meaning
X'00000000'	X'00000000'	The UPDATE DB command completed successfully.
X'00000008'	X'00002004'	An invalid keyword or more than one keyword is specified on the UPDATE DB command.

Table 178. Return and Reason Codes for UPDATE DB (continued)

Return Code	Reason Code	Meaning
X'00000008'	X'00002011'	The UPDATE DB command processing terminated because NAME(*) is not supported with one or more keywords specified.
X'00000008'	X'00002014'	The UPDATE DB command is not processed because an invalid character is found in the database name parameter.
X'00000008'	X'00002040'	More than one filter or keyword value is specified on the UPDATE DB command. Either more than one keyword or an invalid combination of filters was specified. For example, START(Access) and STOP(Access) was specified, or OPTION(DBALLOC,NODBALLOC) was specified. Check the input command and reenter the correct combinations.
X'0000000C'	X'00003000'	The UPDATE DB command is successful for at least one resource name. The UPDATE DB command is not successful for one or more resource names. The completion code indicates the reason for the error with the resource name. The completion codes that can be returned by the UPDATE DB command are listed in the UPDATE DB completion code table.
X'0000000C'	X'00003004'	The UPDATE DB command is not successful for all the resource name(s) specified. The completion code indicates the reason for the error with the resource name. The completion codes that can be returned by the UPDATE DB command are listed in the UPDATE DB completion code table.
X'00000010'	X'00004000'	The UPDATE DB command is not processed as restart is in progress.
X'00000010'	X'0000400C'	The UPDATE DB command as entered is not processed because the function is not valid on the XRF alternate.
X'00000010'	X'00004014'	The UPDATE DB command is not processed because the function is not valid on the RSR tracker.
X'00000010'	X'00004024'	The UPDATE DB command is not processed because Fast Path is not installed.
X'00000010'	X'000041F0'	The UPDATE DB command is not processed because an IMS Checkpoint is in progress.
X'00000010'	X'000041F4'	The UPDATE DB command is not processed because an MSDB Checkpoint is in progress.
X'00000010'	X'000041F8'	The UPDATE DB command is not processed because a takeover is in progress.
X'00000014'	X'00005004'	The UPDATE DB command processing terminated because a DFSOCMD response buffer could not be obtained.
X'00000014'	X'00005008'	The UPDATE DB command processing terminated because a DFSPool storage could not be obtained.
X'00000014'	X'0000500C'	The UPDATE DB command processing terminated because an AWE could not be obtained.
X'00000014'	X'00005014'	The UPDATE DB command processing terminated because a WKAP storage could not be obtained.

Table 178. Return and Reason Codes for UPDATE DB (continued)

Return Code	Reason Code	Meaning
X'00000014'	X'00005FFF'	The UPDATE DB command processing terminated due to an internal error.
X'00000015'	X'00005014'	The UPDATE DB command processing terminated because BCB storage could not be obtained.

Table 179. Completion Codes for UPDATE DB

Completion Code	Meaning
0	The command completed successfully for the resource.
8	Some The command completed with error for some of the AREAS of the DEDB. Response lines for the area names in error are returned.
C	None The command completed with error for all the AREAs of the DEDB. Response lines for the area names in error are returned.
10	No resource found
11	Duplicate resource name. The resource name is specified multiple times on the command and is ignored.
31	Database is a DEDB The command entered is not valid for the DEDB in the IMS environment.
32	Database is a MSDB The command entered is not valid for the MSDB in the IMS environment.
33	Command invalid HALDB master The command OPTION is invalid for the HALDB master.
55	No Fast Path installed The command failed because Fast Path is not installed.
56	Command invalid on the RSR tracker due to LSO=Y option.
65	DMB pool storage error The command failed due to DMB pool storage request failure.
66	DMB pool full The command failed due to the DMB pool being full.
81	DBRC Error
90	Internal error The command entered is not processed due to an internal error.
92	Command processing error The command entered is not processed due to an error. A unique completion code could not be generated to explain the error. The message number and the return code that could not be converted to a completion code are listed in the error text.
A0	Dynamic allocation failed The command entered is not processed because the dynamic allocation failed for the DB.
A1	Database is authorized by Batch The command entered is not processed because the database is authorized by batch.

Table 179. Completion Codes for UPDATE DB (continued)

Completion Code	Meaning
A2	Database is authorized by another IMS The command entered is not processed because the database is authorized by another active or abnormally terminated IMS and its authorization state is incompatible with the current authorization request.
A3	Authorization change failed The DBRC CHNGAUTH request resulted in an error.
A4	Database not registered to DBRC The command processing failed as the database is not registered to DBRC.
A5	Prevent further Auth ON The command entered is not processed because the database or area is defined to DBRC as prevent further Auth.
A6	Invalid database record in RECON The command entered is not processed because an invalid parameter was found during the evaluation process of the database usage compatibility. The database record might be invalid in the RECON dataset.
A7	DBRC unauth failed during change authorization The command is not processed due to an error during UNAUTH processing during change authorization request.
A8	Invalid database record in RECON An UPDATE DB SET(ACCTYP) command is entered to change the database authorization level. An encoded state of zero is returned by DBRC during the change authorization processing.
A9	Database Authorization error The command entered is not processed due to database authorization error.
AA	The UPDATE DB command is rejected because the database is in use by a BMP.
AB	The UPDATE DB command is rejected because the database is in use by a long-running DBCTL thread.
AC	The UPDATE DB command is rejected because the area of the DEDB is in long-busy wait.
AD	The UPDATE DB command is not successful due to a dynamic unallocation error.
AE	The UPDATE DB command is not successful due to a dynamic allocation error. No SVC99 is issued.
C1	Unknown DMB referenced for database The command cannot be processed because an unknown data management block is referenced for the database. Refer to the DFS564I message put out to the system console to identify the DMB name that cannot be referenced.
CC	OLR is active for database The command failed as OLR is active for the database.
D0	Database close error The command processing failed due to a database close error.
D1	Database write error The command processing failed due to a database write error.

Table 179. Completion Codes for UPDATE DB (continued)

Completion Code	Meaning
D2	Database needs backout The command processing failed as the database needs backout.
D3	Database or AREA needs recovery The command processing failed as the database or area needs recovery.
D4	Database needs image copy The command processing failed as the database needs image copy.
D5	Database has no backouts The command processing failed as there are no backouts for the database.
D6	Database in use A SET (ACCTYPE) is specified for the DEDB and the authorization level cannot be changed as the DEDB is in use in a region.
D7	Database I/O prevention not complete The database cannot be started as it is extended due to a XRF takeover and the I/O prevention is not complete.
D8	Database backouts pending The access type specified for the database cannot be changed as restartable backouts are pending for the database.
D9	Database open failed The command failed due to an error opening the database. Refer to DFS0730I messages to determine the reason of the failure.
DA	Database being recalled from HSM The command processing failed because the database is being recalled from HSM.
DB	Partition open failed The partition open failed because the master is offline.
DC	Database partition build failure The database partition build for the DDIR or DMB failed. Refer to the DFS0415I message sent to the system console to determine the reason of the failure.
DD	Database partition initialization failed The database partition initialization for the DDIR or DMB failed. Refer to the DFS0415 message sent to the system console for the details.
DE	ACBLIB read failure The command is not processed because there was an error reading the ACBLIB.
DF	Database directory initialization failed The command is not processed due to a database directory initialization failure.
E0	Database or area in recovery The command is not processed because the database or area is in recovery.
E2	Restart parallel DB open not complete The command is not processed because the restart parallel DB open is not complete for the database.
EE	Database backout error The command processing failed due to database backout error.

Table 179. Completion Codes for UPDATE DB (continued)

Completion Code	Meaning
EF	Database is in error The command entered is not processed because the database is in error.
F0	No AREA lock The command processing failed as the area lock could not be obtained.
F1	Area not stopped The command entered is not processed because the AREA is not stopped.
F2	Preload is active for AREA The command entered is not processed because the AREA is not stopped.
F3	Unresolved indoubts for AREA The command entered is not processed because unresolved indoubts exist for the AREA.
F4	Allocation failed Allocation failed for the AREA name.
F5	AREA needs recovery The command processing failed because the area needs recovery.
F6	ADS number discrepancy The command failed for the AREA because there is a discrepancy between the number of ADS allocated by IMS and the number of ADS known to DBRC. Correct the discrepancy and reissue the command to deallocate the datasets.
F7	Area is not loaded into CF The AREA OPEN failed and is not loaded into the Coupling Facility.
F8	Area has I/O tolerated CI The command is not processed because the AREA has an I/O tolerated CI.
F9	Area has 2nd CI EEQE The command is not processed because the AREA has a 2nd CI EEQE.

## UPDATE DB Compared to Other Commands

Table 180 shows different instances of the UPDATE DB command and other IMS commands that perform similar functions.

Table 180. UPDATE DB Command Compared to Other IMS Commands

UPDATE DB Command	Similar IMS Commands
UPDATE DB NAME(name) STOP(UPDATES)	/DBD DB dbname
UPDATE DB NAME(name) STOP(ACCESS)	/DBR DB dbname
UPDATE DB NAME(name) START(ACCESS)	/START DB dbname
UPDATE DB NAME(name) STOP(SCHD)	/STOP DB dbname
UPDATE DB NAME(name) SET(LOCK(ON))	/LOCK DB dbname
UPDATE DB NAME(name) SET(LOCK(OFF))	/UNLOCK DB dbname

## Examples for UPDATE DB Command

The following are examples of the UPDATE DB command:

### Example 1 for UPDATE DB Command

TSO SPOC input:

```
UPD DB NAME(BE3PARTS PDHDOKA D2XHDJ05 DEDBJN21) START(ACCESS)
```

TSO SPOC output:

DBName	MbrName	CC
BE3PARTS	IMSA	A0
BE3PARTS	IMS1	A0
DEDBJN21	IMSA	0
DEDBJN21	IMS1	0
D2XHDJ05	IMSA	0
D2XHDJ05	IMS1	0
PDHDOKA	IMSA	0
PDHDOKA	IMS1	0

OM API input:

```
CMD (UPD DB NAME(BE3PARTS PDHDOKA D2XHDJ05 DEDBJN21) START(ACCESS))
```

OM API output:

```
<imsout>
<ctl>
<omname>OM10M </omname>
<omvsn>1.2.0</omvsn>
<xmlvsn>1 </xmlvsn>
<statime>2003.128 21:41:33.429986</statime>
<stotime>2003.128 21:41:33.548653</stotime>
<staseq>B963E429B4CE2C4A</staseq>
<stoseq>B963E429D1C6D02E</stoseq>
<rqsttkn1>USRT005 10144133</rqsttkn1>
<rc>02000000C</rc>
<rsn>00003008</rsn>
</ctl>
<cmderr>
<mbr name="IMSA ">
<typ>IMS </typ>
<styp>DBCTL </styp>
<rc>0000000C</rc>
<rsn>00003000</rsn>
</mbr>
<mbr name="IMS1 ">
<typ>IMS </typ>
<styp>DBDC </styp>
<rc>0000000C</rc>
<rsn>00003000</rsn>
</mbr>
</cmderr>
<cmd>
<master>IMSA </master>
<userid>USRT005 </userid>
<verb>UPD </verb>
<kwd>DB </kwd>
<input>UPD DB NAME(BE3PARTS PDHDOKA D2XHDJ05 DEDBJN21) START(ACCESS)</input>
</cmd>
<cmdsphdr>
<hdr s1b1="DB" l1b1="DBName" scope="LCL" sort="a" key="1" scroll="no"
len="8" dtype="CHAR" align="left" skipb="no" />
<hdr s1b1="AREA" l1b1="AreaName" scope="LCL" sort="a" key="3"
scroll="no" len="8" dtype="CHAR" align="left" skipb="yes" />
<hdr s1b1="MBR" l1b1="MbrName" scope="LCL" sort="a" key="2" scroll="no"
len="8" dtype="CHAR" align="left" skipb="no" />
```

```

| <hdr slbl="CC" llbl="CC" scope="LCL" sort="n" key="0" scroll="yes"
|   len="4" dtype="INT" align="right" skipb="no" />
| <hdr slbl="ERRT" llbl="ErrorText" scope="LCL" sort="n" key="0"
|   scroll="yes" len="16" dtype="CHAR" align="left" skipb="yes" />
| </cmdrsphdr>
| <cmdrspdata>
| <rsp>DB(DEDBJN21) MBR(IMSA ) CC( 0) </rsp>
| <rsp>DB(BE3PARTS) MBR(IMSA ) CC( A0) </rsp>
| <rsp>DB(D2XHDJ05) MBR(IMSA ) CC( 0) </rsp>
| <rsp>DB(PDHDOKA ) MBR(IMSA ) CC( 0) </rsp>
| <rsp>DB(DEDBJN21) MBR(IMS1 ) CC( 0) </rsp>
| <rsp>DB(BE3PARTS) MBR(IMS1 ) CC( A0) </rsp>
| <rsp>DB(D2XHDJ05) MBR(IMS1 ) CC( 0) </rsp>
| <rsp>DB(PDHDOKA ) MBR(IMS1 ) CC( 0) </rsp>
| </cmdrspdata>
| </imsout>

```

Explanation: The command starts access of the listed databases and makes them available. Any error in starting the database is returned as a completion code.

### Example 2 for UPDATE DB Command

TSO SPOC input:

```
UPD DB NAME(BE3PARTS DEDBJN03 PVHDJ5A DBHDOK01 ) STOP(ACCESS)
```

TSO SPOC output:

DBName	AreaName	MbrName	CC
BE3PARTS		IMSA	0
BE3PARTS		IMS1	0
DBHDOK01		IMSA	0
DBHDOK01		IMS1	0
DEDBJN03		IMSA	0
DEDBJN03		IMS1	C
DEDBJN03	DB3AREA0	IMS1	F0
PVHDJ5A		IMSA	0
PVHDJ5A		IMS1	0

OM API input:

```
CMD(UPD DB NAME(BE3PARTS DEDBJN03 PVHDJ5A DBHDOK01 ) STOP(ACCESS))
```

OM API output:

```

| <imsout>
| <ctl>
| <omname>OM10M </omname>
| <omvsn>1.2.0</omvsn>
| <xmlvsn>1 </xmlvsn>
| <statime>2003.129 22:41:53.466082</statime>
| <stotime>2003.129 22:41:53.680616</stotime>
| <staseq>B965338380AE2E8E</staseq>
| <stoseq>B9653383B50E8663</stoseq>
| <rqsttkn1>USRT005 10154153</rqsttkn1>
| <rc>0200000C</rc>
| <rsn>00003000</rsn>
| </ctl>
| <cmderr>
| <mbr name="IMS1 ">
| <typ>IMS </typ>
| <styp>DBDC </styp>
| <rc>0000000C</rc>
| <rsn>00003000</rsn>
| </mbr>
| </cmderr>
| <cmd>
| <master>IMSA </master>

```



```

| <userid>USRT005 </userid>
| <verb>UPD </verb>
| <kwd>DB </kwd>
| <input>UPD DB NAME(BE3PARTS DEDBJN03 PVHDJ5A DBHDOK01 ) STOP(ACCESS) </input>
| </cmd>
| <cmdrsphdr>
| <hdr slbl="DB" llbl="DBName" scope="LCL" sort="a" key="1" scroll="no"
| len="8" dtype="CHAR" align="left" skipb="no" />
| <hdr slbl="AREA" llbl="AreaName" scope="LCL" sort="a" key="3"
| scroll="no" len="8" dtype="CHAR" align="left" skipb="yes" />
| <hdr slbl="MBR" llbl="MbrName" scope="LCL" sort="a" key="2" scroll="no"
| len="8" dtype="CHAR" align="left" skipb="no" />
| <hdr slbl="CC" llbl="CC" scope="LCL" sort="n" key="0" scroll="yes"
| len="4" dtype="INT" align="right" skipb="no" />
| <hdr slbl="ERRT" llbl="ErrorText" scope="LCL" sort="n" key="0"
| scroll="yes" len="16" dtype="CHAR" align="left" skipb="yes" />
| </cmdrsphdr>
| <cmdrspdata>
| <rsp>DB(DEDDBJN03) MBR(IMSA ) CC( 0) </rsp>
| <rsp>DB(BE3PARTS) MBR(IMSA ) CC( 0) </rsp>
| <rsp>DB(DBHDOK01) MBR(IMSA ) CC( 0) </rsp>
| <rsp>DB(PVHDJ5A ) MBR(IMSA ) CC( 0) </rsp>
| <rsp>DB(DEDDBJN03) AREA(DB3AREA0) MBR(IMS1 ) CC( F0) </rsp>
| <rsp>DB(DEDDBJN03) MBR(IMS1 ) CC( C) </rsp>
| <rsp>DB(BE3PARTS) MBR(IMS1 ) CC( 0) </rsp>
| <rsp>DB(DBHDOK01) MBR(IMS1 ) CC( 0) </rsp>
| <rsp>DB(PVHDJ5A ) MBR(IMS1 ) CC( 0) </rsp>
| </cmdrspdata>
| </imsout>

```

Explanation: The UPD DB NAME(BE3PARTS DEDBJN03 PVHDJ5A DBHDOK01) STOP(ACCESS) command stops access to the databases BE3PARTS, DEDBJN03, PVHDJ5A, and DBHDOK01 and takes them offline. Response lines are returned for all the databases that are processed. Response lines are also returned for the DEDB areas that resulted in an error.

### Example 3 for UPDATE DB Command

TSO SPOC input:

```
UPD DB NAME(*) STOP(SCHD)
```

TSO SPOC output:

```

Log for . . . : UPD DB NAME(*) STOP(SCHD)
IMSpIex . . . . . : PLEX1
Routing . . . . . :
Start time . . . . : 2003.128 15:06:15.89
Stop time . . . . . : 2003.128 15:06:15.92
Return code . . . . : 00000000
Reason code . . . . : 00000000
Command master. . : IMSA

```

OM API input:

```
CMD(UPD DB NAME(*) STOP(SCHD))
```

OM API output:

```

<imsout>
<ctl>
<omname>OM10M </omname>
<omvsn>1.2.0</omvsn>
<xmIvsn>1 </xmIvsn>
<statime>2003.128 22:06:15.898464</statime>
<stotime>2003.128 22:06:15.916720</stotime>
<staseq>B963E9AF7F96026A</staseq>
<stoseq>B963E9AF840B0E06</stoseq>

```

```

2      <rqsttkn1>USRT005 10150615</rqsttkn1>
2      <rc>00000000</rc>
2      <rsn>00000000</rsn>
2      </ctl>
2      <cmd>
2      <master>IMSA    </master>
2      <userid>USRT005 </userid>
2      <verb>UPD </verb>
2      <kwd>DB          </kwd>
2      <input>UPD DB NAME(*) STOP(SCHD) </input>
2      </cmd>
2      </imsout>

```

Explanation: The UPD DB NAME(\*) STOP(SCHD) command is routed to all IMSs to stop the scheduling of all the databases and to prevent subsequently scheduled programs from accessing them. The command is successful for all IMSs. No response lines are returned because the default action for NAME(\*) is to return response lines only for area names that resulted in an error. OPTION(ALLRSP) can be specified to obtain all the database names processed by the command.

---

## UPDATE LE

The UPDATE LE command allows the user to define Language Environment (LE) runtime parameter overrides or to change the system option to enable/disable LE override processing. The parameters can be filtered by a transaction code, LTERM name, userid, or program name for MPP and JMP regions. The parameters may be filtered by a program name for IFB, BMP, and JBP regions. Message driven BMP regions can also filter on a transaction code. Any combination of parameters may be used to qualify the application instance to which the runtime parameters are applied. The first available entry in the table is used. The new entry may be added before or after existing entries, depending on where free space exists in the table.

This command may be specified only through the Operations Manager API. The command syntax for this command is defined in XML and is available to automation programs that communicate with OM.

OM overrides the routing on the command and routes the command to all IMS systems in the IMSplex. The user specified route list is ignored.

At least one of the resource filters--TRAN, LTERM, USERID, or PGM--must be specified.

### **LTERM()**

Specifies the 1-8 character name of the lterm to which the parameters are to be defined.

**PGM()** Specifies the 1-8 character name of the program to which the parameters are to be defined.

**SET()** Specifies the updates to attributes or parameters.

### **LEOPT()**

Specifies whether or not LE runtime parameters can be overridden dynamically for all active IMS systems in the IMSplex. YES indicates that the IMS systems allow overrides which enables the DL/I INQY call to retrieve runtime parameters. NO indicates that the IMS systems do not allow dynamic overrides to the parameters.

This option allows the user to override the LEOPT=Y|N option that is specified in the DFSCGxxx PROCLIB member without having to bring down the IMS system.

When runtime overrides are disabled (IMS is started with LEOPT=N or the UPD LE SET(LEOPT(NO)) command is issued) the runtime parameter table continues to be updated as UPD LE SET(LERUNOPTS()) or DEL LE commands are issued. If the UPD LE SET(LEOPT(YES)) command is then specified, all changes that were made during the time overrides were disabled are available.

This command is automatically routed to all IMS systems that are active in the IMSplex. The user can not override the OM routing to route to a single IMS.

### **LERUNOPTS()**

Specifies the LE dynamic runtime parameters. If an existing set of parameters is found for the specified TRAN, LTERM, USERID, or PGM, the new parameter string completely replaces the existing parameter string. The parameters are not appended to the existing string. The string is only replaced when the specified filters are an exact match for the existing entry.

If there is no existing entry, then the first unused entry that is large enough to contain the parameters is used for the update. An unused entry is one that was previously deleted by the DEL LE command. If there are no unused entries or none that are large enough, storage is allocated for a new entry and the entry is added to the top of the table.

The UPDATE LE SET(LERUNOPTS()) command is processed regardless of the LEOPT system option. This means that IMS continues to build the runtime parameter table entries even though they will not be retrieved through the DL/I INQY call.

This command is automatically routed to all IMS systems that are active in the IMSplex. The user cannot override the parameters on a single IMS.

### **TRAN()**

Specifies the 1-8 character name of the transaction to which the parameters are to be defined.

### **USERID()**

Specifies the 1-8 character name of the userid to which the parameters are to be defined.

## **UPDATE LE Output Fields**

Table 181 on page 740 shows the UPDATE LE output fields. The columns in the table are as follows:

### **Short Label**

Contains the short label generated in the XML output.

### **Keyword**

Identifies the keyword on the command that caused the field to be generated. N/A appears for output fields that are always returned. ERR appears for output fields that are returned only in case of an error.

### **Meaning**

Provides a brief description of the output field.

Table 181. Output Fields for the UPDATE LE Command

Short Label	Keyword	Meaning
CC	N/A	Completion code for the line of output. Completion code is always returned.
MBR	N/A	IMSplex member (IMS identifier) that built the output line. Member name is always returned.

## Return, Reason, and Completion Codes for UPDATE LE

The OM return and reason codes that may be returned as a result of this command are standard for all commands entered through the OM API. An IMS return and reason code is returned to OM by the UPDATE LE command. In Table 182 the return and reason code for the UPDATE LE command are displayed.

Table 182. Return and Reason Codes for the UPDATE LE Command

Return Code	Reason Code	Meaning
X'00000000'	X'00000000'	The UPDATE LE command completed successfully.
X'00000008'	X'00002008'	No keywords were specified on the command. At least one keyword is required. When SET(LERUNOPTS()) is specified, at least one resource name must be specified.
X'00000008'	X'00002010'	An asterisk or percentage sign was specified in the filter name. Wildcards are not supported on the command.
X'00000008'	X'00002014'	An invalid character was specified in the filter name.
X'00000008'	X'00002040'	An invalid filter was specified on the command. When SET(LEOPT()) is specified, no other resource names can be specified.
X'00000010'	X'00004040'	The parameter override header has not been initialized. Retry the command after restart is complete.
X'00000014'	X'00005000'	Unable to get storage from IMODULE GETSTOR.
X'00000014'	X'00005010'	Unable to obtain latch.
X'00000014'	X'00005FFF'	Internal IMS error - should not occur.

Table 183 contains the completion code that can be returned on a UPDATE LE command.

Table 183. Completion Code for the UPDATE LE Command

Completion Code	Meaning
0	The UPDATE LE command completed successfully for the specified resource.

## Examples for UPDATE LE Command

The following are examples of the UPDATE LE command.

### Example 1 for UPDATE LE Command

Assume the following filters and parameters are specified on UPD LE SET(LERUNOPTS()) commands that are processed in the order listed.

1. TRAN(PART) LTERM(TERM2) SET(LERUNOPTS(hhhh))

2. TRAN(PART) LTERM(TERM2) SET(LERUNOPTS(iiii))
3. LTERM(TERM2) USERID(BETTY) SET(LERUNOPTS(gggg))
4. TRAN(PART) LTERM(TERM1) USERID(BOB) SET(LERUNOPTS(ffff))
5. TRAN(PART) LTERM(TERM1) USERID(BARBARA) SET(LERUNOPTS(eeee))
6. PGM(DFSSAM02) SET(LERUNOPTS(dddd))
7. TRAN(PART) LTERM(TERM1) SET(LERUNOPTS(cccc))
8. TRAN(PART) USERID(BETTY) SET(LERUNOPTS(bbbb))
9. TRAN(PART) PGM(DFSSAM02) SET(LERUNOPTS(aaaa))

Rules for matching an entry which results in an update of an existing entry:

- The number of filters defined on the UPDATE LE must match the number of filters defined in the entry.
- The filter values defined on the UPDATE LE must be an exact match for those defined in the entry.

Table 184 is a logical representation of the parameter override table entries at the end of the command processing. The table includes the transaction name, LTERM, USERID, Program, and LERUNOPTS for each entry.

Table 184. Parameter Override Table Entries for UPDATE LE Example 1

Entry#	TRAN	LTERM	USERID	PROGRAM	LERUNOPTS
1	PART			DFSSAM02	aaaa
2	PART		BETTY		bbbb
3	PART	TERM1			cccc
4				DFSSAM02	dddd
5	PART	TERM1	BARBARA		eeee
6	PART	TERM1	BOB		ffff
7		TERM2	BETTY		gggg
8	PART	TERM2			iiii

### Example 2 for UPDATE LE Command

TSO SPOC input:

```
UPD LE TRAN(IAPMDI26) USERID(USRT001)
SET(LERUNOPTS(RPTOPTS=((ON),NOOVR),RPTSTG=((OFF),NOOVR)))
```

TSO SPOC output:

```
MbrName    CC
SYS3       0
```

OM API input:

```
CMD(UPD LE TRAN(IAPMDI26) USERID(USRT001)
SET(LERUNOPTS(RPTOPTS=((ON),NOOVR),RPTSTG=((OFF),NOOVR))))
```

OM API output:

```
<imsout>
<ctl>
<omname>OM10M  </omname>
<omvsn>1.1.0</omvsn>
<xm1vsn>1  </xm1vsn>
<statime>2002.163 17:56:10.220516</statime>
<stotime>2002.163 17:56:10.221547</stotime>
```

```

<staseq>B7C4CA4EDBFE420E</staseq>
<stoseq>B7C4CA4EDC3EB382</stoseq>
<rqsttkn1>USRT002 10105610</rqsttkn1>
<rc>00000000</rc>
<rsn>00000000</rsn>
</ctl>
<cmd>
<master>SYS3 </master>
<userid>USRT002 </userid>
<verb>UPD </verb>
<kwd>LE </kwd>
<input>UPD LE TRAN(IAPMDI26) USERID(USRT001)
  SET(LERUNOPTS(RPTOPTS=((ON),NOOVR),RPTSTG=((OFF),NOOVR)))
</input>
</cmd>
<cmdsphdr>
<hdr s1b1="MBR" l1b1="MbrName" scope="LCL" sort="A" key="1" scroll="NO" len="8"
dtype="CHAR" align="left" />
<hdr s1b1="CC" l1b1="CC" scope="LCL" sort="N" key="0" scroll="YES" len="4"
dtype="INT" align="right" />
</cmdsphdr>
<cmdrspdata>
<rsp>MBR(SYS3 ) CC( 0) </rsp>
</cmdrspdata>
</imsout>

```

Explanation: The UPDATE LE command adds an entry to the LE runtime options table. The entry added by this command defines two filters: userid and transaction. The transaction is set to IAPMDI26 and the userid is set to USRT001. The runtime options string for this table entry is RPTOPTS=((ON),NOOVR),RPTSTG=((OFF),NOOVR). The output shows that IMS member SYS3 processed the command with a return code of 0.

---

## UPDATE TRAN

The UPDATE TRAN command changes the status of transaction resources in an IMSplex.

This command may be specified only through the OM API.

The UPDATE TRAN command is not valid on the RSR tracker.

The UPDATE TRAN SET(MAXRGN) and UPDATE TRAN STARTISTOP(TRACE) commands are valid on the XRF alternate. All other instances of the UPDATE TRAN command are not valid on the XRF alternate.

The UPDATE TRAN command with START(Q,SCHD,SUSPEND), STOP(Q,SCHD), or SET(CLASS,CPRI,LCT,LPRI,MAXRGN,NPRI,PARLIM,PLCT,SEGNO,SEGSZ) is recoverable over an IMS restart. The UPDATE TRAN command with START(TRACE), or STOP(TRACE) is not recoverable over an IMS restart.

A new X'22' log record is written during the processing of the UPDATE TRAN command with START(Q,SCHD,SUSPEND), STOP(Q,SCHD), or SET(CLASS,CPRI,LCT,LPRI,MAXRGN,NPRI,PARLIM,PLCT,SEGNO,SEGSZ). A log record is not written for the UPDATE TRAN command with START(TRACE) or STOP(TRACE).

The command syntax for this command is defined in XML and is available to automation programs that communicate with OM.

**CLASS()**

Selects the transactions associated with the specified class or classes to be updated.

**NAME()**

Specifies the names of the specific transactions that are to be updated or a group of transactions whose names match a generic wild card parameter.

**SCOPE()**

Specifies where IMS should apply the change. The default is ALL. When ALL is specified, the changes are applied to the active IMS systems. When ACTIVE is specified, the changes are applied to the IMS systems currently active. ACTIVE and ALL produce the same result.

**SET()** Specifies the attribute values to be changed.

**CLASS**

Specifies a new processing class for the transaction. The new class takes effect the next time the transaction is scheduled. Valid CLASS parameters are numeric values from 1 to 999.

**CPRI** Specifies a new value for the current priority of a transaction. The CPRI keyword is not allowed for BMP transactions, because BMP transactions should always have a priority of 0. The new CPRI value takes effect the next time the transaction is scheduled. Valid CPRI parameters are numeric values from 0 to 14.

**LCT** Specifies a new value for the limit count of a transaction. The new LCT value takes effect during execution of the transaction. Valid LCT parameters are numeric values from 1 to 65535.

**LPRI** Specifies a new value for the limit priority of a transaction. The LPRI keyword is not allowed for BMP transactions, because BMP transactions should always have a priority of 0. The new LPRI value takes effect the next time the transaction is scheduled. Valid LPRI parameters are numeric values from 0 to 14.

**MAXRGN**

Specifies a new value for the maximum number of regions that can be simultaneously scheduled for a given transaction. The transaction must be eligible for parallel scheduling (load balancing). The value of the MAXRGN parameter must be between 0 and the number specified on the MAXPST=control region parameter.

**NPRI** Specifies a new value for the normal priority of a transaction. The NPRI keyword is not allowed for BMP transactions, because BMP transactions should always have a priority of 0. The new NPRI value takes effect the next time the transaction is scheduled. Valid NPRI parameters are numeric values from 0 to 14.

**PARLIM**

Specifies a new value for the parallel processing limit count of a transaction. PARLIM is the maximum number of messages that can currently be queued, but not yet processed, by each active message region currently scheduled for this transaction. An additional region is scheduled whenever the transaction queue count exceeds the PARLIM value multiplied by the number of regions currently scheduled for this transaction. Valid PARLIM parameters are numeric values from 0 to 32767 and 65535, where 65535 disables transaction load balancing.

PARLIM can not be specified for CPI Communications driven transactions.

**PLCT** Specifies a new value for the processing limit count of a transaction. The PLCT is the number of messages of this transaction code that a program can process in a single scheduling. The new PLCT values take effect the next time the transaction is scheduled. Valid PLCT parameters are numeric values from 0 to 65535.

PLCT can not be specified for CPI Communications driven transactions.

#### **SEGNO**

Specifies a new value for the limit on the number of application program output segments allowed in message queues for each GU call. Segment limits are established by transaction code, thereby allowing specification of more than one value for each application program. The new SEGNO value takes effect during execution of the transaction. Valid SEGNO parameters are numeric values from 0 to 65535.

SEGNO can not be specified for CPI Communications driven transactions.

#### **SEGSZ**

Specifies a new value for the size of application program output segments allowed in message queues for each GU call. The new SEGSZ value takes effect during execution of the transaction. Valid SEGSIZE parameters are numeric values from 0 to 65535.

SEGSZ can not be specified for CPI Communications driven transactions.

#### **START()**

Specifies the attributes to be started.

**Q** Starts the queueing of messages.

**SCHD** Starts the scheduling of messages.

#### **SUSPEND**

If the transaction has messages on the suspend queue, that suspend queue is automatically transferred to the ready queue.

#### **TRACE**

Starts the transaction trace, which captures the DL/I portion of Data Communications (DC) for the specified transaction. The information is written as a 6701 log record to the IMS log. For more information about this trace, see the discussion of the DLA3LOG trace in *IMS Version 9: Diagnosis Guide and Reference*

#### **STOP()**

Specifies the attributes to be stopped.

**Q** Stops the queueing of messages. However, output can still be queued if it originates from the application program.

**SCHD** Stops the scheduling of messages.

#### **TRACE**

Stops the transaction trace.



## 2 UPDATE TRAN Output Fields

2 Table 185 shows the UPDATE TRAN output fields. The columns in the table are as  
2 follows:

### 2 Short Label

2 Contains the short label generated in the XML output.

### 2 Keyword

2 Identifies the keyword on the command that caused the field to be  
2 generated. N/A appears for output fields that are always returned. ERR  
2 appears for output fields that are returned only in case of an error.

### 2 Meaning

2 Provides a brief description of the output field.

2 *Table 185. Output Fields for the UPDATE TRAN Command*

Short Label	Keyword	Meaning
CC	N/A	Completion code for the line of output. The completion code is always returned.
MBR	N/A	The IMSplex member that built the output line. The IMS identifier of the IMS for which the transaction information is displayed. The IMS identifier is always returned.
TRAN	N/A	The transaction name. The transaction name is always displayed.

## 2 Return, Reason, and Completion Codes for UPDATE TRAN

2 Table 186 contains the return and reason codes for the UPDATE TRAN command.

2 *Table 186. Return and Reason Codes for the UPDATE TRAN Command*

Return Code	Reason Code	Meaning
X'00000000'	X'00000000'	The UPDATE TRAN command completed successfully.
X'00000004'	X'00001000'	The UPDATE TRAN command was not processed on the IMS system as the IMS system is not the command master. No resource information is returned.
X'00000008'	X'0000200C''	No resources were found to be updated. The resource name(s) specified may be invalid or there were no resources that match the filter specified. Confirm that the UPDATE TRAN command is issued with valid resources.
X'00000008'	X'00002040'	More than one filter value is specified on the UPDATE TRAN command. Confirm that only one of SET or START   STOP filters are specified on the command.
X'00000008'	X'00002044'	The UPDATE TRAN command is not processed because the same attribute value was specified for the START and STOP filters. The attribute "Q,SCHD" can be specified only on START or STOP but not both. For example, UPDATE TRAN START(Q) STOP(Q) is not valid but UPDATE TRAN START(Q) STOP(SCHD) is valid. Confirm that only one START   STOP attribute is specified on the command.
X'00000008'	X'00002048'	The UPDATE TRAN command is not processed because an invalid SET attribute is specified. Confirm that the correct SET attribute is specified on the command.

Table 186. Return and Reason Codes for the UPDATE TRAN Command (continued)

Return Code	Reason Code	Meaning
X'00000008'	X'0000204C'	The UPDATE TRAN command is not processed because a CLASS value specified is invalid. Confirm that the correct CLASS value is specified on the command.
X'00000008'	X'00002050'	The UPDATE TRAN command is not processed because the CPRI value specified is invalid. Confirm that the correct CPRI value is specified on the command.
X'00000008'	X'00002054'	The UPDATE TRAN command is not processed because the LCT (limit count) value specified is invalid. Confirm that the correct LCT value is specified on the command.
X'00000008'	X'00002058'	The UPDATE TRAN command is not processed because the LPRI value specified is invalid. Confirm that the correct LPRI value is specified on the command.
X'00000008'	X'0000205C'	The UPDATE TRAN command is not processed because the MAXGN value specified is invalid. Confirm the correct MAXRGN value is specified on the command.
X'00000008'	X'00002060'	The UPDATE TRAN command is not processed because the NPRI value specified is invalid. Confirm that the correct NPRI value is specified on the command.
X'00000008'	X'00002064'	The UPDATE TRAN command is not processed because the PARLIM value is invalid. Confirm that the PARLIM value is specified on the command.
X'00000008'	X'00002068'	The UPDATE TRAN command is not processed because the PLCT value is invalid. Confirm that the correct PLCT value is specified on the command.
X'00000008'	X'0000206C'	The UPDATE TRAN command is not processed because the SEGNO value specified is invalid. Confirm that the correct SEGNO value is specified on the command.
X'00000008'	X'00002070'	The UPDATE TRAN command is not processed because the SEGSZ value specified is invalid. Confirm that the correct SEGSZ value is specified on the command.
X'0000000C'	X'00003000'	The UPDATE TRAN command was successful for at least one resource name. The UPDATE TRAN command was not successful for one or more resource names. The completion code indicates the reason for the error with the resource name. The completion codes that can be returned by the UPDATE TRAN command are listed in the UPDATE TRAN Completion Code table.
X'0000000C'	X'00003004'	The UPDATE TRAN command was not successful for all the resource names specified. The completion code indicates the reason for the error with the resource name. The completion code that can be returned by the UPDATE TRAN command is listed in the UPDATE TRAN Completion Code table.
X'00000010'	X'0000400C'	The UPDATE TRAN command is not processed as the flavor entered is not valid on the XRF alternate.
X'00000010'	X'00004014'	The UPDATE TRAN command is not processed as the TRAN keyword is not valid on the RSR tracker.
X'00000014'	X'00005004'	The UPDATE TRAN command processing terminated because a DFSOCMD response buffer could not be obtained.

Table 186. Return and Reason Codes for the UPDATE TRAN Command (continued)

Return Code	Reason Code	Meaning
X'00000014'	X'00005008'	The UPDATE TRAN command processing terminated as DFSPPOOL storage could not be obtained.
X'00000014'	X'0000500C'	The UPDATE TRAN command processing terminated an AWE could not be obtained.

Errors unique to the processing of the UPDATE TRAN command are returned as a completion code. A completion code is returned for each action against an individual resource. The following completion codes in Table 187 may be returned on an UPDATE TRAN command.

Table 187. Completion Code for the UPDATE TRAN Command

Completion Code	Meaning
0	The UPDATE TRAN command completed successfully for the resource.
10	The resource name is unknown to the client that is processing the request. The resource name may have been typed in error or the resource may not be active at this time. If this is a wildcard request there were no matches for the name. Confirm that the correct spelling of the resource name is specified on the command.
30	The UPDATE TRAN command is invalid for the resource because the transaction is a dynamic transaction that was created during shared queues processing.
34	The UPDATE TRAN command is invalid for the resource because the transaction is a CPIC transaction.
38	The UPDATE TRAN command is invalid for the resource because the PSB associated with the transaction is a BMP.
3C	The MAXRGN can not be changed for the resource because the transaction does not have parallel limits specified.
40	The PARLIM can not be changed for the resource because the PSB associated with the transaction is defined as does not have parallel scheduling.
44	The UPDATEUPDATE TRAN command can not be processed for the resource because the transaction is currently being scheduled.
45	The UPDATE TRAN command could not be completed for the resource because the SID number is invalid.

## UPDATE TRAN Compared to Other Commands

Table 188 shows different instances of the UPDATE TRAN command and other IMS commands that perform similar functions.

Table 188. UPDATE TRAN Compared to Other Commands

UPDATE Command	Similar IMS Command
UPDATE TRAN(name) START(Q) STOP(SCHD)	/PSTOP TRAN name
UPDATE TRAN NAME(name) START(SCHD) STOP(Q)	/PUR TRAN name
UPDATE TRAN NAME(name) START(Q,SCHD,SUSPEND)	UPDATE TRAN NAME(name)
UPDATE TRAN NAME(name) STOP(Q,SCHD)	/STOP TRAN name

Table 188. UPDATE TRAN Compared to Other Commands (continued)

UPDATE Command	Similar IMS Command
UPDATE TRAN NAME(name) START(TRA)	/TRA SET ON TRAN name
UPDATE TRAN NAME(name) STOP(TRA)	/TRA SET OFF TRAN name
UPDATE TRAN NAME(name) SET(CLASS(new_class_number))	/ASSIGN TRAN name TO CLS new_class_number
UPDATE TRAN NAME(name) SET(CPRI(new_current_priority))	/ASSIGN CPRI new_current_priority TO TRAN name
UPDATE TRAN NAME(name) SET(LCT(new_limit_count))	/ASSIGN LCT new_lmct_number TO TRAN name
UPDATE TRAN NAME(name) SET(LPRI(new_limit_priority))	/ASSIGN LPRI new_lpri_number TO TRAN name
UPDATE TRAN NAME(name) SET(NPRI(new_normal_priority))	/ASSIGN NPRI new_npri_number TO TRAN name
UPDATE TRAN NAME(name) SET(PARLIM(new_parallel_limit))	/ASSIGN PARLIM new_parmlim_number TO TRAN name
UPDATE TRAN NAME(name) SET(PLCT(new_processing_limit))	/ASSIGN PLCT new_plmct_number TO TRAN name
UPDATE TRAN NAME(name) SET(SEGNO(new_segment_number))	/ASSIGN SEGNO new_segno_number TO TRAN name
UPDATE TRAN NAME(name) SET(SEGSZ(new_segment_size))	/ASSIGN SEGSZ new_segsize_number TO TRAN name
UPDATE TRAN NAME(name) SET(MAXRG(new_max_regions))	/CHA TRAN name MAXRGN new_maxrgn_number

## Example 1 for UPDATE TRAN Command

TSO SPOC input:

```
UPDATE TRAN NAME(ADDINV) STOP(Q,SCHD)
```

TSO SPOC output:

```
Trancode MbrName CC
ADDINV SYS3 0
```

OM API input:

```
CMD(UPDATE TRAN NAME(ADDINV) STOP(Q,SCHD))
```

OM API output:

```
<imsout>
<ctl>
<omname>OM10M </omname>
<omvsn>1.1.0</omvsn>
<xmlvsn>1 </xmlvsn>
<statime>2002.163 17:11:29.656126</statime>
<stotime>2002.163 17:11:29.682014</stotime>
<staseq>B7C4C0527953EC28</staseq>
<stoseq>B7C4C0527FA5E144</stoseq>
<rqsttkn1>USRT002 10101129</rqsttkn1>
<rc>00000000</rc>
<rsn>00000000</rsn>
</ctl>
<cmd>
<master>SYS3 </master>
<userid>USRT002 </userid>
```

```

<verb>UPD </verb>
<kwd>TRAN          </kwd>
<input>UPDATE TRAN NAME(ADDINV) STOP(Q,SCHD)          </input>
</cmd>
<cmdrsphdr>
<hdr s1b1="TRAN" 11b1="Trancode" scope="LCL" sort="a" key="1" scroll="no" len="8"
dtype="CHAR" align="left" />
<hdr s1b1="MBR" 11b1="MbrName" scope="LCL" sort="a" key="2" scroll="no" len="8"
dtype="CHAR" align="left" />
<hdr s1b1="CC" 11b1="CC" scope="LCL" sort="n" key="0" scroll="yes" len="4"
dtype="INT" align="right" /></cmdrsphdr>
<cmdrspdata>
<rsp>TRAN(ADDINV ) MBR(SYS3 ) CC( 0) </rsp>
</cmdrspdata>
</imsout>

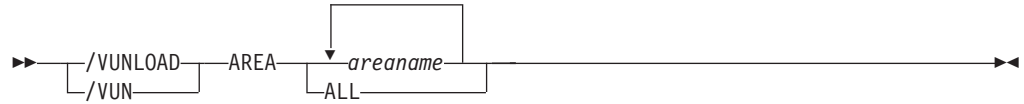
```

Explanation: Queuing and scheduling is stopped for transaction ADDINV.



# Chapter 66. /VUNLOAD

## Format



## Environments and Keywords

Table 189 lists the environments (DB/DC, DBCTL, and DCCTL) from which the command and keyword can be issued.

Table 189. Valid Environments for the /VUNLOAD Command and Keyword

COMMAND / KEYWORD	DB/TM	DBCTL	DCCTL
/VUNLOAD	X	X	
AREA	X	X	

## Usage

The /VUNLOAD AREA command removes the specified areas from the z/OS data space or coupling facility. All of the updated CIs for the area are written to DASD. All subsequent I/O for the area is from DASD. /VUNLOAD processing occurs concurrently with application processing.

In a data-sharing environment, in order to maintain data integrity, IMS requests IRLM to lock the first control interval (CI) in exclusive mode before IMS unloads the area from the coupling facility. This lock causes those IMS subsystems sharing the area to complete any synchronization point processing. When all sharing subsystems are no longer using the area, IMS requests IRLM to release the CI locks and IMS unloads the area. All subsequent I/O for the area is from DASD.

The /VUNLOAD command does not change any of the VSO options set in the RECON data set. Therefore, at the next IMS restart or /START AREA command, the VSO options again take effect. Any changes to VSO definitions must be made through DBRC commands. For Shared VSO areas however, the /VUNLOAD command is persistent across IMS restarts and can be reset only by a /START AREA command. This is true for shared VSO areas for consistency across all sharing partners. This prevents one system from accessing data from DASD while others are accessing from the coupling facility.

For multiple VSO DEDB areas that share a single coupling facility structure, when the /VUNLOAD AREA command is issued, one of the following actions may occur:

- If there is only one area in the structure (either a single-area structure or a multi-area structure with one area), the area is taken out of VSO and the structure is deleted. The IMS issuing the /VUNLOAD AREA command notifies the other IMSs sharing the area to disconnect from the structure.
- If there are multiple areas in the structure, when one area is taken out of VSO, the area is disassociated and its CIs are deleted in the structure. The IMS issuing the /VUNLOAD AREA notifies the other IMSs sharing the area to either

| disassociate or disconnect from the structure depending on if the IMS is still  
| sharing or not sharing other areas in the structure.

The /VUNLOAD command is not valid for an RSR tracking subsystem.

---

### | Example for /VUNLOAD Command

| Entry ET:

| /VUNLOAD

| Response ET:

| NC0000000 FPEC 03070 09:58:03.52 01 00000290 R 14,/VUN AREA DD01AR0  
| NR8400000 FPEC 03070 09:58:03.52 JOB00116 00000090 IEE600I REPLY TO 14 IS;/VUN AREA DD01AR0  
| N 8400000 FPEC 03070 09:58:03.53 JOB00116 00000090 DFS058I 09:58:03 VUNLOAD COMMAND IN PROGRESS SYS3  
| W 8400000 FPEC 03070 09:58:03.53 JOB00116 00000090 \*17 DFS996I \*IMS READY\* SYS3  
| N 8400000 FPEC 03070 09:58:04.42 JOB00116 00000090 DFS2823I AREA DD01AR0 DISCONNECT FROM STR: DD01AR0STR1 SUCC  
| N 8400000 FPEC 03070 09:58:04.42 JOB00116 00000090 DFS0488I VUN COMMAND COMPLETED. AREA= DD01AR0 RC= 0 SYS3



## Part 3. z/OS (MVS) Commands Used for IMS

<b>Chapter 67. Introduction</b>	755
<b>Chapter 68. START FDBRPROC</b>	757
Format	757
Usage.	757
<b>Chapter 69. MODIFY IMS</b>	759
F jobname,DUMP	759
Format	759
Usage.	759
Example	759
F jobname,DUMPxxxx.	759
Format	759
Usage.	759
Examples	760
F jobname,FORCExxxx	760
Format	760
Usage.	760
Examples	760
F jobname,RECONNECT	761
Format	761
Usage.	761
Example	761
F jobname,RECONNSTR	762
Format	762
Usage.	762
Example	762
F jobname,STOP	763
Format	763
Usage.	763
Example	763
F jobname,STOPxxxx	763
Format	763
Usage.	763
Examples	763
<b>Chapter 70. START IRLMPROC</b>	765
Format	765
Usage.	765
<b>Chapter 71. MODIFY FDBRPROC</b>	769
F fdbrproc,DUMP	769
Format	769
Usage.	769
F fdbrproc,RECOVER	769
Format	769
Usage.	769
F fdbrproc,STATUS	769
Format	769
Usage.	769
F fdbrproc,STOP	770
Format	770
Usage.	771

F fdbproc,TERM	771
Format	771
Usage.	771
<b>Chapter 72. MODIFY IRLMPROC</b>	773
F irlmproc,ABEND	773
Format	773
Usage.	773
Examples	773
F irlmproc,DIAG,HANG	774
Format	774
Usage.	774
F irlmproc,PURGE,imsname	775
Format	775
Usage.	775
Example	775
F irlmproc,SET	775
Format	775
Usage.	776
Examples	778
F irlmproc,STATUS	779
Format	779
Usage.	779
Examples	780
<b>Chapter 73. STOP CQSJOB</b>	783
Format	783
Usage.	783
<b>Chapter 74. STOP IRLMPROC</b>	785
Format	785
Usage.	785
Example	785
<b>Chapter 75. TRACE CT</b>	787
Format	787
Usage.	787
Ensure IRLM Load Module Is in z/OS Link List.	789
Sample External Writer Procedure	789
Displaying a Trace	789
Examples	789
Example 1 for TRACE CT	789
Example 2 for TRACE CT	789
<b>Chapter 76. CANCEL/FORCE ODBA</b>	791
Format	791
Usage.	791
Format	791
Usage.	791
<b>Chapter 77. STOP CSL Address Spaces</b>	793
Format	793
Usage.	793

---

## Chapter 67. Introduction

This section covers z/OS commands that are used by the z/OS console operator to control the execution of the following:

- CQS
- CSL
- FDBR
- IRLM
- ODBA



---

## Chapter 68. START FDBRPROC

---

### Format

▶▶—S fdbrproc—————▶▶

---

### Usage

Although you normally start an IMS Fast DB Recovery region using a job submitted after the databases to be tracked are started, you can use the z/OS START command to start the region and tracking.

The fdbrproc parameter identifies the procedure name of the region to be started.



---

## Chapter 69. MODIFY IMS

You can use the following z/OS commands to control an IMS region.

---

### F jobname,DUMP

#### Format

►►—F *jobname*,DUMP—◀◀

#### Usage

The MODIFY (F) *jobname*,DUMP command forces a termination of IMS with an offline dump.

For DBCTL, the following are abended, but are not rolled back until the following /ERESTART command:

- Active threads
- BMPs
- DEDB utilities

#### Example

Entry z/OS SC:

```
F jobname,DUMP
```

Response z/OS SC:

```
DFS628I ABNORMAL TERMINATION SCHEDULED
DFS629I IMS STM TCB ABEND - IMS 0020
```

---

### F jobname,DUMPxxxx

#### Format

►►—F *jobname*,DUMPxxxx—◀◀

#### Usage

**Note:** “External subsystem” means a non-CCTL subsystem.

The MODIFY (F) *jobname*,DUMPxxxx command causes one or more attached external subsystem connections to be terminated with a dump. If *xxxx* is specified as ESS, the parent external subsystem task and all external subsystem subtasks are terminated. If *xxxx* is a specific external subsystem name, only that external subsystem is terminated. The subsystem specified must be defined in the IMS external subsystem PROCLIB member.

## Examples

### Example 1 for F jobname,DUMPxxxx

Entry z/OS SC:

```
F jobname,DUMPname
```

Response z/OS SC:

```
DFS628I ABNORMAL TERMINATION SCHEDULED
DFS629I IMS ESI TCB DUMP - IMS 0020 IES
DFS3611I EXTERNAL SUBSYSTEM name CONNECTION TERMINATED
```

### Example 2 for F jobname,STOPxxxx

Entry z/OS SC:

```
F jobname,DUMPESS
```

Response z/OS SC:

```
DFS628I ABNORMAL TERMINATION SCHEDULED
DFS629I IMS ESS TCB DUMP - IMS 0020
DFS629I IMS ESS TCB DUMP - IMS 4095 IES
DFS3611I EXTERNAL SUBSYSTEM name CONNECTION TERMINATED
```

---

## F jobname,FORCExxxx

### Format

►►—F *jobname*,FORCExxxx—◄◄

### Usage

The MODIFY (F) *jobname*,FORCExxxx command causes one or more attached external subsystem connections to be terminated without a dump. If *xxxx* is specified as ESS, the parent external subsystem task and all external subsystem subtasks are terminated. If *xxxx* is a specific external subsystem name, only that external subsystem is terminated. The subsystem specified must be defined in the IMS external subsystem PROCLIB member.

The FORCE option is not applicable to any other IMS task, for example, to the control task. IMS does not communicate with the external subsystem termination exits, for example, terminate subsystem exits and terminate identify exits.

The reason IMS does not communicate is to allow the installation to break the IMS-to-other-subsystem connection in the event of an error (such as a WAIT STATE) in the external subsystem. If IMS were to invoke one of the exits, as it does with the STOP/DUMP options, the exit can once again start a WAIT STATE, and not allow the termination of that subsystem connection.

Use the FORCE option when either STOP or DUMP fails to break the subsystem connection.

## Examples

### Example 1 for F jobname,FORCExxxx

Entry z/OS SC:

```
F jobname,FORCEname
```



Response z/OS SC:

```
DFS628I ABNORMAL TERMINATION SCHEDULED
DFS629I IMS ESI TCB DUMP - IMS 0020 IES
DFS3611I EXTERNAL SUBSYSTEM name CONNECTION TERMINATED
```

### Example 2 for F jobname,FORCExxxx

Entry z/OS SC:

```
F jobname,FORCEESS
```

Response z/OS SC:

```
DFS628I ABNORMAL TERMINATION SCHEDULED
DFS629I IMS ESS TCB DUMP - IMS 0020
DFS629I IMS ESS TCB DUMP - IMS 4095 IES
DFS3611I EXTERNAL SUBSYSTEM name CONNECTION TERMINATED
```

---

## F jobname,RECONNECT

### Format

```
►►—F jobname,RECONNECT—◄◄
```

### Usage

The MODIFY (F) *jobname*,RECONNECT command causes the IMS system on which it is entered to be reconnected to a restarted IRLM.

Jobname is the job name or procedure name for the IMS control region. When this command is successfully completed, a message indicating that the IRLM has been reconnected is sent to both the IMS master terminal operator and the z/OS console operator. Then the IMS MTO can start any Fast Path DEDB areas that were involved in block-level sharing at the time of the IRLM failure.

### Example

In this example, two IMS subsystems are connected to the same IRLM when it terminates.

z/OS SYSTEM SC RECEIVES:

```
DXR121I KRLM212 END-OF-TASK CLEAN-UP SUCCESSFUL - HI-CSA 410K -
HI-ACCT-CSA 0K
```

IMS 1 MT RECEIVES:

```
DFS2500I IMSA DATABASE dbname SUCCESSFULLY DEALLOCATED
```

IMS 2 MT RECEIVES:

```
DFS2500I IMSB DATABASE dbname SUCCESSFULLY DEALLOCATED
```

z/OS SYSTEM SC:

```
S KRLM1
```

z/OS SYSTEM SC RECEIVES:

```
DXR180I KRLM212 AUTOMATIC RESTART MANAGER IS NOT ENABLED
OR
DXR172I KRLM212 armelementname ARM READY COMPLETED

DXR117I KRLM212 INITIALIZATION COMPLETE
```

z/OS SYSTEM SC:

```
F jobname,RECONNECT
```

IMS 1 MT AND z/OS SYSTEM SC RECEIVE:

```
DFS626I KRLM RECONNECT COMMAND SUCCESSFUL. IMSA
```

z/OS SYSTEM SC:

```
F jobname,RECONNECT
```

IMS 1 MT AND z/OS SYSTEM SC RECEIVE:

```
DFS626I KRLM RECONNECT COMMAND SUCCESSFUL. IMSB
```

IMS MT:

```
/START AREA areaname
```

Explanation: The IRLM has abnormally terminated. When the IRLM has been successfully restarted, the z/OS operator modifies the IMSs to reconnect to the restarted IRLM. The areas can then be restarted using the /START AREA command.

---

## F jobname,RECONNSTR

### Format

```
▶▶—F jobname,RECONNSTR—————▶▶
```

### Usage

Use this command to cause the IMS subsystem on which you enter it to reconnect to IRLM, OSAM, and VSAM coupling facility structures.

*jobname* is the job name or procedure name for the IMS control region.

### Example

Entry z/OS SC:

```
F jobname,RECONNSTR
```

Explanation: If the connection to IRLM, OSAM, or VSAM structures has abnormally terminated, usually IMS automatically reconnects to these structures. If IMS does not reconnect to the structures, the operator can use this command to ensure IMS reconnects to them.

---

## F jobname,STOP

### Format

►►—F *jobname*,STOP—◄◄

### Usage

Active threads, BMPs, and DEDB utilities are abended, but not rolled back until the following /ERESTART command.

Normally, IMS is terminated with an IMS /CHECKPOINT shutdown command. Whenever it becomes necessary to force termination of IMS, the z/OS MODIFY command should be used. When MODIFY is used, a dump of the IMS control region can be requested. (Consult the appropriate z/OS operator's guide for specific MODIFY formats.)

The MODIFY (F) *jobname*,STOP command forces a termination of IMS without a dump.

### Example

Entry z/OS SC:

F *jobname*,STOP

Response z/OS SC:

DFS628I ABNORMAL TERMINATION SCHEDULED  
DFS629I IMS STM TCB ABEND - IMS 0020

---

## F jobname,STOPxxxx

### Format

►►—F *jobname*,STOPxxxx—◄◄

### Usage

**Note:** All references to external subsystems refer to non-CCTL subsystems.

The MODIFY (F) *jobname*,STOPxxxx command causes one or more attached external subsystem connections to be terminated without a dump. If xxxx is specified as ESS, the parent external subsystem task and all external subsystem subtasks are terminated. If xxxx is a specific external subsystem name, only that external subsystem is terminated. The subsystem specified must be defined in the IMS external subsystem PROCLIB member.

### Examples

#### Example 1 for F *jobname*,STOPxxxx

Entry z/OS SC:

F *jobname*,STOPname

Response z/OS SC:

```
DFS628I ABNORMAL TERMINATION SCHEDULED
DFS629I IMS ESI TCB DUMP - IMS 0020 IES
DFS3611I EXTERNAL SUBSYSTEM name CONNECTION TERMINATED
```

**Example 2 for F jobname,STOPxxxx**

Entry z/OS SC:

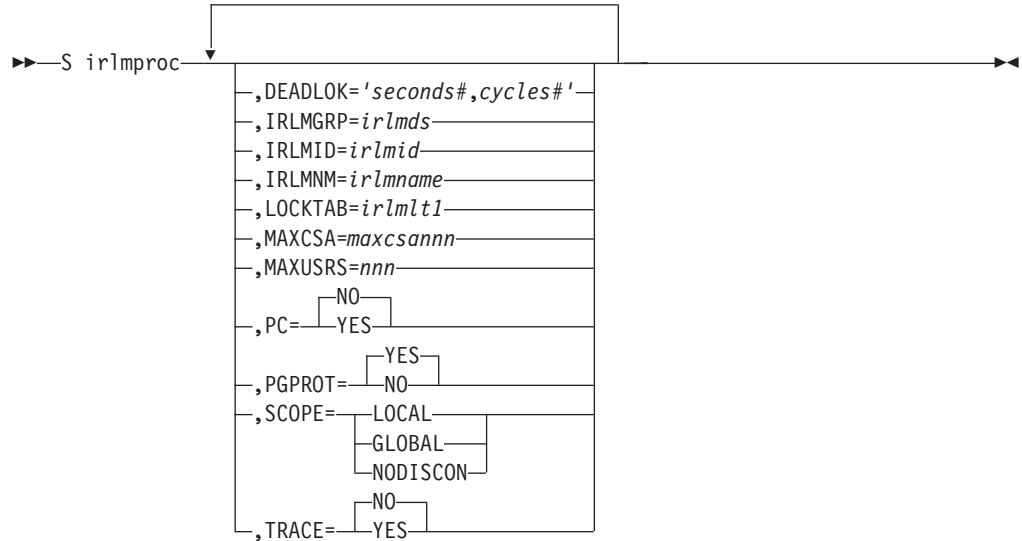
```
F jobname,STOPESS
```

Response z/OS SC:

```
DFS628I ABNORMAL TERMINATION SCHEDULED
DFS629I IMS ESS TCB DUMP - IMS 0020
DFS629I IMS ESS TCB DUMP - IMS 4095 IES
DFS3611I EXTERNAL SUBSYSTEM name CONNECTION TERMINATED
```

## Chapter 70. START IRLMPROC

### Format



### Usage

The START irImproc command starts an IRLM component with a procedure put in place by your installation. Symbolic parameters in the procedure can be overridden using the START irImproc command. IRLM must be started before any IMS subsystem that needs the facilities provided by IRLM.

The irImproc identifies the procedure name of the IRLM to be started.

Any IRLM parameter can be overridden using the START command.

#### DEADLOK=

Specifies the local deadlock-detection interval (in seconds), and the number of local cycles that are to occur before a global detection is initiated. You can specify the following:

##### seconds#

This 1- to 4-digit numeric value, ranging from 1 to 9999, specifies the interval (in seconds) between IRLM local deadlock-detection cycles. Although values above 5 are accepted, the maximum used is 5.

**Recommendation:** Set this parameter to be no greater than 5. This is because it takes multiple local cycles to complete one global cycle. Otherwise, global deadlocks may not be broken frequently enough to ensure maximum throughput.

##### cycles#

This 1- to 4-digit numeric value, ranging from 1 to 9999, specifies the number of local deadlock cycles that must expire before global deadlock-detection is performed. Although values above 1 are accepted, the maximum used is 1.

**Recommendation:** Set this parameter to be no greater than 5. This is because it takes multiple local cycles to complete one global cycle. Otherwise, global deadlocks may not be broken frequently enough to ensure maximum throughput.

**IRLMGRP=**

Specifies the name of the z/OS Cross-System Coupling Facility (XCF) group for which this IRLM will serve as lock manager.

**irlmids**

The name of the XCF group.

**IRLMID=**

Specifies either a decimal number or a printable character that is used to distinguish between multiple IRLMs. The IRLM with the lowest ID value in the group becomes the global deadlock manager for the group. You must specify a unique name for every IRLM in the group. The total number of IRLMs that can be included in a group is not related to the value you specify; the total number is limited by your hardware, and may be lower than 255.

The *irlmid* can be either a one- to three-digit number ranging in value from 1 to 255, or a printable EBCDIC character. When you specify a character, you must surround the character with enough single quotes to permit IRLM to understand that this value is indeed a printable character. IRLM converts the character to an EBCDIC value between 1 and 255.

Because of the way that z/OS interprets quotes, you must use 7 quotes on either side of the character.

**Example:** If you want to specify the printable character 'D', you must specify IRLMID='''''''D''''''.

**IRLMNM=**

Specifies the 1- to 4-byte z/OS subsystem name assigned to this IRLM.

**LOCKTAB**

Specifies the lock table to be used by the data sharing group specified in the GROUP parameter.

**irlmt1**

Is the name of the lock table.

**MAXCSA=**

Specifies the maximum amount of CSA that IRLM is to use for its lock structures. In displays, this storage is called *accountable* storage because it is accountable to the value you set for MAXCSA. Use the accountable storage high water mark (AHWM) data from messages DXR100I and DXR121I to monitor IRLM's usage of common storage and as a basis for adjustments to the MAXCSA value.

This parameter must be specified as a 1 or 3-digit number from 1 to 999. This number indicates the number of megabytes of CSA storage that IRLM will use. If IRLM is using extended CSA support and running on a z/OS system, this number indicates multiples of 1 MB of extended CSA storage. For example, a specification of 3 states that IRLM can use 3 MB of CSA, or 3 MB of ECSA, if IRLM is running with extended CSA support on a z/OS system.

**MAXUSRS=**

Specifies the maximum number of users, from 2 to 248, that can connect to the data sharing group.

**PC=**

Specifies whether a space switching program call is to be used by IRLM. If PC=YES is specified, the IRLM lock control block structure resides in the IRLM address space, and the space switching program call (PC) instruction is used to obtain addressability to the structure. If PC=NO is specified, the IRLM lock structure resides in ECSA. The default for this parameter is PC=NO. Tells IRLM whether to place its COMMON STORAGE load modules into z/OS Page Protected Storage. PGPROT=YES is the DEFAULT and tells IRLM to place its COMMON Storage load modules into z/OS Page Protected Storage. If PGRPROT=NO is specified, IRLM will not place load modules in Page Protected Storage.

**SCOPE=**

Specifies whether the IRLM is to be used in a data-sharing environment and, if so, whether the IRLM should automatically disconnect when the associated IMS terminates.

**LOCAL**

Specifies that the IRLM is in a non-data-sharing environment and there is no intersystem sharing.

**GLOBAL**

Specifies that the IRLM is in a data-sharing environment and that intersystem sharing is to be performed. The IRLM disconnects from the data-sharing group when there are no IMSs identified to it. Both XCF and SLM are required

**NODISCON**

Specifies that the IRLM is in a data-sharing environment and that intersystem sharing is to be performed. The IRLM remains connected to the data-sharing group even when there are no IMSs identified to it. Normal DISCONNECT from the sharing group does not occur. You must explicitly stop the IRLM when NODISCON is specified. Both XCF and SLM are required.

With NODISCON, there is less impact on other systems when an IMS fails because z/OS is not required to perform certain recovery actions that it normally perform when an IRLM terminates. Another benefit of the NODISCON parameter is that IMS restarts more quickly after a normal or abnormal termination because it does not have to wait for IRLM to rejoin the IRLM data-sharing group.

**TRACE=**

Specifies whether the IRLM should trace activity during IRLM startup. Traces are written to wrap-around trace buffers, that is, the first buffer is reused after the last buffer is full.

**NO**

Do not initialize trace activity during IRLM startup. NO is the default.

To trace IRLM activity, use the TRACE CT command. See Chapter 75, "TRACE CT," on page 787

**YES**

Initialize IRLM trace activity during startup.

**Recommendation:** Turn on tracing in all data-sharing environments.





---

## Chapter 71. MODIFY FDBRPROC

The MODIFY fdbrproc commands are used for an IMS Fast Database Recovery region: to display its status, to stop it, and to recover from failures.

---

### F fdbrproc,DUMP

#### Format

▶▶—F fdbrproc,DUMP————▶▶

#### Usage

Use this command to stop IMS Fast DB Recovery functions and request a dump for the region. The region ends with a return code X'0020'.

---

### F fdbrproc,RECOVER

#### Format

▶▶—F fdbrproc,RECOVER————▶▶

#### Usage

Use this command to initiate an IMS Fast DB Recovery of tracked IMS databases. Use this command, for example, after a time-out during XCF or log surveillance.

This command is not accepted if an IMS Fast DB Recovery region is currently starting or if it is recovering databases.

---

### F fdbrproc,STATUS

#### Format

▶▶—F fdbrproc,STATUS————▶▶

#### Usage

Use this command to display status for an IMS Fast DB Recovery region. The output displayed includes the following information:

**PHASE**

This field indicates the phase of the Fast DB Recovery region. The following are possible values for the phase:

- INIT
- TRACKING
- RECOVERY

**LOG-TIME**

Time of the log record currently being processed by the Fast DB Recovery region. The length of time

the Fast DB Recovery region lags behind IMS in reading the log is the difference between the current time, as shown by the time stamp, and the log time. This field displays N/A during FDBR initialization.

**ACT-ID** The IMSID of the IMS subsystem that Fast DB Recovery is tracking. This field displays N/A during FDBR initialization.

**GROUPNAME** XCF group name used for XCF monitoring. This field displays N/A during FDBR initialization.

**TIMEOUT** XCF timeout value. This field displays N/A during FDBR initialization.

**AREA01** The sharing level for DEDB areas. The following are possible values for AREA01:

- RECOV
- NORECOV

You specify the sharing level for AREA01 in the DFSFDRxx member of IMS.PROCLIB.

3 **SVSOOPEN** Specifies that all areas requiring redo processing in  
 3 an FDBR system will be serially processed. This  
 3 option is ignored for /ERE and XRF TKO  
 3 processing. It is used to reduce the number of  
 3 structures being allocated by FDBR for redo  
 3 processing.

3 **FPBUFF** Specifies that the control blocks for Fastpath DEDB  
 3 processing are to be gotten from the FDBR private  
 3 region rather than ECSA.

3 The LOCAL parameter is specified in the  
 3 DFSFDRxx member. If this option is selected, the  
 3 control blocks for DEDB processing are taken from  
 3 the FDBR control region private storage.

3 If this option is not specified, the control blocks for  
 3 DEDB processing are taken from ECSA. This is the  
 3 default.

**Example:**

```
F FDR1,STATUS
DFS000I PHASE: TRACKING LOG-TIME: 17:48:41 FDR1
DFS000I ACT-ID: SYSS3 GROUPNAME: FDRSYS3 FDR1
DFS000I TIMEOUT: 060 SEC AREA01: NORECOV FDR1
DFS000I SVSOOPEN: SERIAL FPBUFF: LOCAL FDR1
```

---

## F fdbproc,STOP

### Format

▶▶—F fdbproc,STOP—◀◀

## Usage

Use this command to stop an IMS Fast DB Recovery region. The region ends with a return code X'0020'.

---

## F fdbrproc,TERM

### Format

▶▶—F fdbrproc,TERM—▶▶

## Usage

Use this command to stop IMS Fast DB Recovery tracking activity.

This command is not accepted if an IMS Fast DB Recovery region is currently starting or if it is recovering databases.



## Chapter 72. MODIFY IRLMPROC

The MODIFY (F) *irlmproc* commands are used to display the status of an IRLM and abnormally terminate an IRLM.

These commands can be issued only from a z/OS console.

### F *irlmproc*,ABEND

#### Format

```

▶▶—F irlmproc,ABEND—┐
                        └,NODUMP┘
  
```

#### Usage

The MODIFY *irlmproc*,ABEND command is used to abnormally terminate IRLM whether or not any IMS subsystems are identified to IRLM.

The *irlmproc* identifies the procedure name of the IRLM to be terminated. Prior to terminating, IRLM initiates all active IMS STATUS exit routines to inform them of the pending termination.

If the NODUMP parameter is specified, IRLM terminates without generating a dump. If the NODUMP parameter is not specified, the system dump is taken to the SYS1.DUMPxx data set.

**Recommendation:** If IRLM does not terminate because of outstanding IMS requests in process (the DXR011I *irlmproc* END-OF-TASK CLEAN-UP SUCCESSFUL message is not received), use the following methods (in this order) to terminate IRLM:

1. Issue the MODIFY *irlmproc*,ABEND,NODUMP command to terminate IRLM without attempting to clean up the outstanding IMS requests.
2. Issue the z/OS CANCEL command.
3. Issue the z/OS FORCE command. This method is least preferred because it might prevent the *irlmproc* from completing the cleanup required to permit the subsystem to be restarted.

#### Examples

##### Example 1 for F *irlmproc*,ABEND

z/OS SYSTEM 1 SC:

```
F IR21J,ABEND
```

Response SYSTEM 1 SC: (partial messages)

```

DXR124E JR21212 ABENDED VIA MODIFY COMMAND
DUMPID=001 REQUESTED BY JOB (IR21J  )
IEA794I SVC DUMP HAS CAPTURED: 857
DUMP TITLE=JR21 ESTAE ENTERED. ABEND U2020 MODULE DXRRL020+0A98
      APAR PQ15432 1999/007 14:14:03
IXL030I CONNECTOR STATISTICS FOR LOCK STRUCTURE LOCK2, 860
CONNECTOR IRLMGRPR$JR21212:
  
```

```

IXL031I CONNECTOR CLEANUP FOR LOCK STRUCTURE LOCK2, 861
CONNECTOR IRLMGRPR$JR21212, HAS COMPLETED.
DXR121I JR21212 END-OF-TASK CLEANUP SUCCESSFUL - HI-CSA    410K -
HI-ACCT-CSA      OK
IEF450I IR21J IR21J - ABEND=S000 U2020 REASON=00000000
IEF352I ADDRESS SPACE UNAVAILABLE
$HASP395 IR21J    ENDED

```

Response SYSTEM 2 SC: (partial messages)

```

DXR137I IR21001 GROUP STATUS CHANGED. JR21 212 HAS BEEN DISCONNECTED
FROM THE DATA SHARING GROUP

```

Explanation: The operator on system 1 has terminated the procedure named IR21J. The operator on system 2 is informed that the IRLM on system 1 has failed.

### Example 2 for F irlmproc,ABEND

z/OS SYSTEM 2 SC:

```
F IR21J,ABEND,NODUMP
```

Response SYSTEM 2 SC: (partial messages)

```

DXR165I JR21212 TERMINATED VIA IRLM MODIFY COMMAND.
IXL030I CONNECTOR STATISTICS FOR LOCK STRUCTURE LOCK2, 976
CONNECTOR IRLMGRPR$JR21212:
.....
IXL020I CLEANUP FOR LOCK STRUCTURE LOCK2, 980
CONNECTION ID 02, STARTED BY CONNECTOR IRLMGRPR$IR21001
IXL021I GLOBAL CLEANUP FOR LOCK STRUCTURE LOCK2, 981
CONNECTION ID 02, BY CONNECTOR IRLMGRPR$IR21001
HAS COMPLETED.
DXR121I JR21212 END-OF-TASK CLEANUP SUCCESSFUL - HI-CSA    343K -
HI-ACCT-CSA      OK
IEF352I ADDRESS SPACE UNAVAILABLE
$HASP395 IR21J    ENDED

```

Response SYSTEM 1 SC: (partial messages)

```

DXR137I IR21001 GROUP STATUS CHANGED. JR21 212 HAS BEEN DISCONNECTED
FROM THE DATA SHARING GROUP

```

Explanation: The operator on system 2 has terminated the procedure named IR21J and has suppressed the SDUMP dump. The operator on system 1 is informed that the IRLM on system 2 has failed.

---

## F irlmproc,DIAG,HANG

### Format

```
▶▶—F irlmproc,DIAG,—HANG—▶▶
```

### Usage

HANG is used under the direction of IBM service for collecting IRLM SYSPLEX dumps when DEADLOCK or TIMEOUT issues are suspected.

This command takes dumps during DEADLOCK processing and causes DEADLOCK processing to STOP while the dynamic deadlock storage is collected. z/OS DUMP services then schedules an SRB to restart DEADLOCK processing. DXR183I is issued by each IRLM as the SRB resumes IRLM deadlock.

If this message is not issued, that IRLM must be terminated and restarted.

**Note:** Always start the IRLM SCF CTRACE internally and wait 30 seconds before issuing this command.

## F irImproc,PURGE,imsname

### Format

►►—F *irImproc*,PURGE,*imsname*—►►

### Usage

The MODIFY (F) *irImproc*, PURGE,*imsname* command releases IRLM locks retained for a specific IMS subsystem because of an IMS, IRLM, or system failure. The command causes STATUS exit routines to be activated for each identified IMS. This command is used in the following recovery situations:

- Database cleanup was performed and reflected in the RECON data set, but the IRLM was not made aware of it. This typically occurs when a batch backout is performed before the IRLMs are reconnected. After the PURGE command is issued, data that was locked is made available to the active IMSs.
- Recovery will be performed later and the databases must be unavailable for use by other IMSs.

**Restriction:** Ensure the IMS Database Manager is inactive prior to issuing this command. In a DBCTL environment, use the /CHANGE CCTL command when the DBMS is active.

The *imsname* is the IMS name displayed by the STATUS command.

The *irImproc* identifies the procedure name for each IRLM. If multiple IRLMs exist in the same system, each procedure must have a unique procedure name.

### Example

Entry z/OS SC:

```
F IR21I,PURGE,IMS1
```

Response SYSTEM 1 SC:

```
DXR109I IR21001 PURGE COMMAND COMPLETED FOR IMS1
```

## F irImproc,SET

### Format

►►—MODIFY—*irImproc*,SET—►►

,—CSA=— <i>nnn</i> —		
,—DEADLOCK=— <i>nnnn</i> —		
,—HASH=— <i>nnn</i> —		
,—LTE=— <i>nnnn</i> —		
,—TIMEOUT=— <i>nnnn</i> —,— <i>ssname</i> —		
,—TRACE=— <table style="display: inline-table; border: 1px solid black; vertical-align: middle;"> <tr> <td style="padding: 0 5px;">10</td> </tr> <tr> <td style="padding: 0 5px;"><i>nnn</i></td> </tr> </table> —	10	<i>nnn</i>
10		
<i>nnn</i>		

## Usage

The Modify (F) `irlmproc,SET` command dynamically alters a limited set of parameters known to IRLM.

### **irlmproc**

Specifies the IRLM that is to process the command.

### **CSA=nnn**

Requests that IRLM dynamically sets the maximum amount of CSA that this IRLM can use for lock control structures. These structures are allocated from ECSA when `PC=NO`. This command is ignored if `PC=YES`. Valid values are from 1 through 999 (megabytes). IRLM does not immediately allocate ECSA storage for the new value you set in this command. IRLM allocates storage as needed, not to exceed the amount of ECSA specified in the command. If the amount of storage currently allocated by IRLM is greater than the amount of ECSA you specify in this command, more storage is not obtained until normal processing frees enough storage to bring the current allocation below the new ECSA value you set.

### **DEADLOCK= nnnn**

**nnnn** The number in milliseconds to be used for the local deadlock frequency. The value range is 100 - 5000 milliseconds. If a member of a sysplex group and all IRLMs are not enabled for subsecond deadlock processing, DXR106E will be issued.

When the IRLM supporting subsecond deadlock joins a group which has a member which does not support subsecond deadlock, the value range used for the new member joining, is 1 to 5 seconds. All members supporting subsecond processing will issue the DXR177I message after changing the timer value.

**Note:** Once IMS TIMEOUT candidates have timed out, they remain timeout candidates and are presented to the timeout exit each Global deadlock cycle. IMS creates SMF 79.15 records when candidates are presented. They are then written to the SMF datasets, if enabled. If timeout candidates are found and the value for *nnnn* is subsecond, there will be many SMF 79.15 records written per second until the tasks are no longer waiting in IRLM.

### **HASH=nnnn**

Determines the number of LOCK HASH entries to be specified on the next connect to the XCF LOCK structure. Valid values must be an even power of two between 0-1024. Each increment in value represents 1,048,576 hash entries.

Any syntax error in issuing the command will receive DXR106E. Syntax errors include HASH value out-of-range or invalid identified subsystem name. If IRLM is not connected to the group and the value is valid, the DXR177I message will be issued but the value will not be sent to any other member. If the member is already in the group, the value is sent to the Global Deadlock Manager IRLM to be broadcast to all other members. If the GDM does not have the code applied, no DXR177I response will be issued on any member. If the GDM has the code, then all members with the code applied will issue the DXR177I as the command is processed. This value is only used if the IRLM is the first to join the data sharing group causing structure allocation, or during a REBUILD. Any IRLM joining later will not have the updated value. If multiple MODIFY commands are issued, some DXR177I messages may be missing. The last DXR177I issued is the value to be used on the next CONNECT.



The value for the number of LOCK HASH entries specified during normal group startup and during REBUILD are used in the following order:

1. The value specified on the `MODIFY ir1mproc,SET,HASH=` command if it is greater than 0.
2. The value from the `HASH=` in the IRLMPROC if it is greater than 0
3. The existing logic, which determines the nearest power of 2 after dividing the QUERY size returned by 2 times Hash width based on MAXUSRS.

If an attempt is made to use a nonzero value from either 1 or 2 above and that value is too large for the structure size returned on the QUERY, then the value from the next lower order sequence is used.

#### **LTE=nnnn**

**nnnn** The number of Lock Table Entries to be specified on the next CONNECT to the XCF LOCK structure. The value range must be 0 - 1024 and be an even power of two. Each increment in value represents 1,048,576 Lock Table Entries.

Any syntax error in issuing the command will receive DXR106E. Syntax errors include LTE value out-of-range. If this IRLM is not connected to the group, and the value is valid, it will issue DXR177I, but the value will not be sent to any other member. If the member is already in the group, the value is sent to the Global Deadlock Manager (GDM) IRLM to be broadcast to all other members. If the GDM does not have the code applied, no DXR177I response will be issued on any member. If the GDM has the code, then all members with the code applied will issue the DXR177I as the command is processed.

This value is only used if the IRLM is the first to join the data-sharing group causing structure allocation or during a REBUILD. If any IRLM joins later, they will not have the updated value. If multiple MODIFY commands are issued on the same or multiple IRLMs, some DXR177I may be missing. The last DXR177I issued is the value to be used on the next CONNECT.

The value for the number of Lock Table Entries specified during normal group startup and during REBUILD are used in the following order:

1. The value specified on the `MODIFY ir1mproc,SET,LTE=` command if it is greater than zero.
2. The value from the `LTE=` in the IRLMPROC if it is greater than zero.
3. The existing logic, which determines the nearest power of 2 after dividing the QUERY size returned by 2 times LTE width based on MAXUSRS.

If an attempt is made to use a nonzero value from either step 1 or 2 and that value is too large for the structure size returned on the QUERY, then the value from the next lower order sequence is used.

#### **TIMEOUT=nnnn,ssname**

**nnnn** The new timeout value desired between 1 and 3600 seconds.

**ssname**

The identified subsystem name as displayed by the `MODIFY ir1mproc,STATUS` command.

Any syntax error in issuing the command will receive DXR106E. Syntax errors include TIMEOUT value out-of-range or invalid identified subsystem name. A

syntax error message will also be given if the DXR177I message has not been received for the prior command completion.

The TIMEOUT value must be a multiple of the local deadlock parameter. If the value entered is not an even multiple of the local deadlock parameter, IRLM increases the timeout value to the next highest multiple. The value used by IRLM for timeout is displayed in the DXR177I message, which is issued during deadlock processing. This new value is used until the IRLM or identified subsystem is terminated, or the timeout is changed again by the operator. The value specified on the command does not affect the time out value in the DB2 ZParms.

**TRACE=*nnn***

Requests that IRLM dynamically sets the maximum number of 64KB trace buffers per trace type to the value you specify in *nnn*. This value is used only when the external CTRACE writer is not activated. The trace buffers are allocated from ECSA. Valid values are from 10 through 255. If you specify a value outside of this range, IRLM automatically adjusts the value to a value within the range. The default is 10. IRLM does not immediately acquire the number of trace buffers you set, but allocates buffers as needed, not to exceed the number of buffers you set in this command. If the number of trace buffers you set is less than the number of currently allocated buffers, IRLM brings the number to within your specified range by releasing the oldest buffers at the end of the next deadlock or timeout cycle.

**Restrictions:**

1. Do not modify the CSA value without first contacting the system programmer to determine the amount of CSA storage that can be used for IRLM.
2. The values you set in the MODIFY command do not persist through a stop and restart of IRLM. The number of trace buffers for each trace type returns to the default value of 10 and the value for MAXCSA returns to the value you set for the MAXCSA parameter of the IRLM startup procedure.

## Examples

**Example 1 for F irlmproc,SET**

Entry on a z/OS1 system console:

```
F IRLMPROC,SET,CSA=10
```

Response on z/OS1 system console:

```
DXR177I IRLMX THE VALUE FOR MAXCSA IS SET TO 10
```

**Example 2 for F irlmproc,SET**

Entry on a z/OS system console:

```
F IRLMPROC,SET,TRACE=20
```

Response on system console:

```
DXR177I IRLMX THE VALUE FOR TRACE IS SET TO 20
```

**Example 3 for F irlmproc,SET**

Entry on a z/OS system console:

```
F IRLMPROC,SET,TIMEOUT=60,DBMS
```

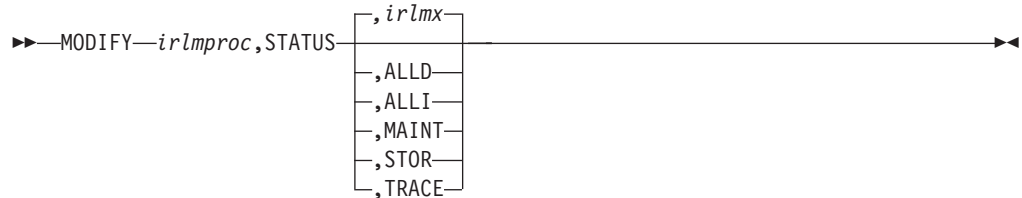
Response on system console:

```
DXR177I IRLMX THE VALUE FOR TIMEOUT IS SET TO 60 FOR DBMS
```

## F irlmproc,STATUS

This command is used to display the status of an IRLM.

### Format



### Usage

The MODIFY (F) *irlmproc*,STATUS command is used to display the status of an IRLM.

The *irlmproc* identifies the IRLM that is to process the command.

#### **irlmx**

Specifies which IRLM's status is to be displayed. The *irlmx* parameter is the concatenation of the IRLM subsystem name (IRLMN) and a three-digit IRLM member ID (IRLMID) specified in the IRLM startup procedure. An example is DB2G002 (ID is 002).

#### **ALLD**

Requests the DBMS names and status of subsystems, active or failed, on any IRLM in the data sharing group. This keyword also shows any RETAINED LOCKS the systems might own and the IRLM they are currently associated with.

#### **ALLI**

Requests the IRLM names and status for all IRLMs in a data sharing group.

#### **MAINT**

Allows the operator to display the IRLM maintenance levels for IRLM load modules, with the exceptions of: DXRRLM50, DXRRL183, DXRRL186, DXRRLFTB, and in a non-sysplex environment DXRRLM70.

#### **STOR**

For this IRLM, displays the current and maximum specified allocation for CSA and ECSA storage.

#### **TRACE**

For this IRLM, requests information about IRLM subcomponent trace types. The information returned includes whether a subcomponent trace type is active, how many trace buffers are used by the trace, and whether the component trace external writer is active for the trace.

You can activate or deactivate traces by using the TRACE CT command of z/OS. You cannot turn off the EXP and INT traces. The XIT (for data sharing), EXP, and INT traces are automatically activated when you start IRLM. Traces are automatically activated with IRLMPROC TRACE=YES.

Message DXR0011 is issued if the *irlmx* parameter is omitted or specifies the IRLM receiving the command. This multiline message contains work unit and lock information for each IMS identified to this IRLM.

Message DXR001I is also issued if the *irlmx* parameter is specified, but the IRLM receiving the command has no knowledge of an IRLM with an IRLMID of *irlmx*.

Message DXR102I is issued if *irlmx* is specified. This multiline message contains the IMS names and status of each IMS subsystem identified to the IRLM with an IRLMN and IRLMID of *irlmx*. Message DXR102I is also issued if ALLD is specified. It contains the names and status of each IMS subsystem identified to the IRLM in the data sharing group.

Message DXR103I is issued if ALLI is specified. This multiline message contains the IRLM names and status of all IRLMs in the data sharing group.

## Examples

### Example 1 for F irlmproc,STATUS

Assume you are in a non-data sharing environment. Enter on the z/OS1 system console:

```
F IRTPROC,STATUS
```

Response on z/OS1 system console:

```
DXR101I IR2T001 STATUS SCOPE=LOCAL
SUBSYSTEMS IDENTIFIED          PT01
NAME      STATUS  UNITS   HELD   WAITING  RET_LKS
DSNT1     UP-NS   0005   0010   0002     0
```

Explanation: The operator on system 1 has requested information about the IMS systems connected to the IRLM identified by the IRLM procedure named IRTPROC.

### Example 2 for F irlmproc,STATUS

Assume you have a data sharing group. Enter on a system console:

```
F DB1GIRLM,STATUS,ALLD
```

Response on system console:

```
14.02.10 STC00086 DXR102I DJ1G001 STATUS IRLMID=001
SUBSYSTEMS IDENTIFIED          PT01
NAME      STATUS  RET_LKS  IRLMID  IRLM_NAME
DB4G      UP       0         004     DJ4G
DB3G      UP       0         003     DJ3G
DB2G      UP       0         002     DJ2G
DB1G      UP       0         001     DJ1G
```

Explanation: The output shows all the IMS subsystems that are connected to IRLMs in this data sharing group (the group to which the IRLM processing the request belongs). The value "UP" in the STATUS field indicates that the IMS is active. Other possible values for STATUS include:

- DOWN**                                    The IMS is failed.
- UP-RO**                                    IMS is active and is currently identified to IRLM as a read-only subsystem.
- CLEANUP**                                    IRLM is waiting for the IMS subsystem to respond that cleanup has completed after a failure condition.
- SFAIL**                                    The IRLM that IMS is identified to has been disconnected from the data sharing group. Any "modify" type locks held by IMS have been retained by IRLM.

**Example 3 for F irlmproc,STATUS**

Again, assume data sharing is in effect. Enter the following on the system console:

```
F DB1GIRLM,STATUS,ALLI
```

The response on the console is:

```
14.03.50 STC00086 DXR103I DJ1G001 STATUS IRLMID=001
          IRLMS PARTICIPATING IN DATA SHARING PT01
          IRLM_NAME  IRLMID  STATUS
          DJ4G       004     UP
          DJ3G       003     UP
          DJ2G       002     UP
          DJ1G       001     UP
```

Explanation: The output shows the IRLMs that are participating in this data sharing group (the group that includes the IRLM processing the request). The value "UP" in the STATUS field indicates that the IRLM is active. STATUS shows "DOWN" if the IRLM is failed.

**Example 4 for F irlmproc,STATUS**

Enter the following command on the system console:

```
F IR21PROC,STATUS,STOR
```

The response on the console is:

```
DXR1001 IR21001 STOR STATS
PC:NO MAXCSA: 6M1
CSA USE:ACNT: 132K AHWM: 132K2 CUR: 4048K HWM: 4086K3
  ABOVE 16M: 72 4033K  BELOW 16M: 6 15K
CLASS TYPE SEGS MEM TYPE SEGS MEM TYPE SEGS MEM
ACCNT T-1 1 64K T-2 1 64K T-3 1 4K4
PROC WRK 11 58K SRB 3 3K OTH 2 2K
MISC VAR 60 4081K N-V 6 22K FIX 1 24K5
```

**Notes:**

1. Displays the current values for the PC and MAXCSA options of the IRLM startup procedure.
2. Shows storage use of accountable storage; that is, storage that is accountable toward the MAXCSA value of the IRLM procedure. In this output, the current use accountable storage (ACNT) is 132 KB. The high water mark since the last time IRLM was started is also 132 KB.
3. Shows the total current CSA and ECSA usage. In this case, the current usage is 4048 KB and the high water mark is 4086 KB. The accountable storage is a subset of this total storage.
4. The ACCNT row of the report is a breakdown of lock control block structures and their storage use.
  - T-1** Type 1 structures are for resources. In this case, it shows that one storage segment is held for a total of 64 KB.
  - T-2** Type 2 structures are for all resource requests after the first request for a specific resource. In this case, it shows that one storage segment is held for a total of 64 KB.
  - T-3** Type 3 structures are for requesters (or work units) that are waiting for resources or are currently holding resources. In this case, it shows that one storage segment is held for a total of 4 KB.
5. The PROC and MISC rows contain usage information for CSA, ECSA, and private storage used to process DBMS requests. Use this information under the guidance of IBM service for diagnosing problems.

**Example 5 for F irlmproc,STATUS**

In this example, the response on the console displays a report that is started with PC=YES.

```
DXR1001 JR21212 STOR STATS
PC: YES MAXCSA: N/A
CSA USE: ACNT: 0K AHWM: 0K CUR: 4362K HWM: 5830K
ABOVE 16M: 78 4376K BELOW 16M: 23 32K
CLASS TYPE SEGS MEM TYPE SEGS MEM TYPE SEGS MEM
ACCNT T-1 1 64K T-2 1 64K T-3 1 4K
PROC WRK 11 58K SRB 20 20K OTH 2 2K
MISC VAR 68 4497K N-V 6 22K FIX 1 24K
```

Because this is an IRLM report that results from specifying PC=YES, the storage used, shown for accountable storage, is that of IRLM private storage used for the IRLM lock control structures.

This example illustrates what can happen when an application generates a high IRLM lock contention rate. Notice that a large amount of storage used is for SRB and below the 16MB line.

**Related Reading:** For more information about reducing lock contention and on tuning your system, see *IBM DATABASE 2 Administration Guide* and *DB2 for OS/390 Version 5: Data Sharing: Planning and Administration*.

**Example 6 for F irlmproc,STATUS**

When the following command is entered on the system console:

```
F PR21PROC,STATUS,TRACE
```

The response on the console is:

```
DXR179I PR21034 TRACE USAGE
TRACE BUFFER STORAGE IN USE: 256KB
MAXIMUM NUMBER OF TRACE BUFFERS ALLOWED PER TRACE TYPE: 10
TRACE TYPE ACTIVE BUFFERS IN USE CTRACE WRITER
-----
```

TRACE TYPE	ACTIVE	BUFFERS IN USE	CTRACE WRITER
SLM	N	0	N
XIT	Y	2	N
XCF	N	0	N
DBM	N	0	N
EXP	Y	1	N
INT	Y	1	N

The example shows the storage currently allocated for IRLM tracing is 256 KB, the maximum number of trace buffers allowed per trace type is set to 10, and the external CTRACE writer is not active. The trace size for each buffer is 64 KB. You can change the maximum number of trace buffers that can be used by issuing the following command: `MODIFY irlmproc,SET,TRACE=nnn`.

**Related Reading:** For more information about trace types, see Chapter 75, "TRACE CT," on page 787

---

## Chapter 73. STOP CQSJOB

---

### Format

▶▶—P *cqsjobname*—————▶▶

---

### Usage

The STOP (P) *cqsjobname* command is used to normally shut down CQS. The command is rejected if any active IMS subsystems are currently connected to CQS.

The *cqsjobname* identifies the job name for the CQS to be stopped.





---

## Chapter 74. STOP IRLMPROC

---

### Format

```
▶▶—P irlmproc————▶▶
```

---

### Usage

The STOP (P) irlmproc command is used to normally shut down IRLM. The command is rejected if any active IMS subsystems are currently identified to IRLM.

The irlmproc identifies the procedure name for the IRLM to be stopped.

---

### Example

z/OS SYSTEM 1 SC:

```
P IR21I
```

Response SYSTEM 1 SC:

```
DXR110I IR21001 STOP COMMAND ACCEPTED
IXL030I CONNECTOR STATISTICS FOR LOCK STRUCTURE LOCK2, 070
CONNECTOR IRLMGRPR$IR21001:
IXL031I CONNECTOR CLEANUP FOR LOCK STRUCTURE LOCK2, 071
CONNECTOR IRLMGRPR$IR21001, HAS COMPLETED.
DXR121I IR21001 END-OF-TASK CLEANUP SUCCESSFUL - HI-CSA 732K -
HI-ACCT-CSA 132K
IEF352I ADDRESS SPACE UNAVAILABLE
$HASP395 IR21I ENDED
```

Response SYSTEM 2 SC:

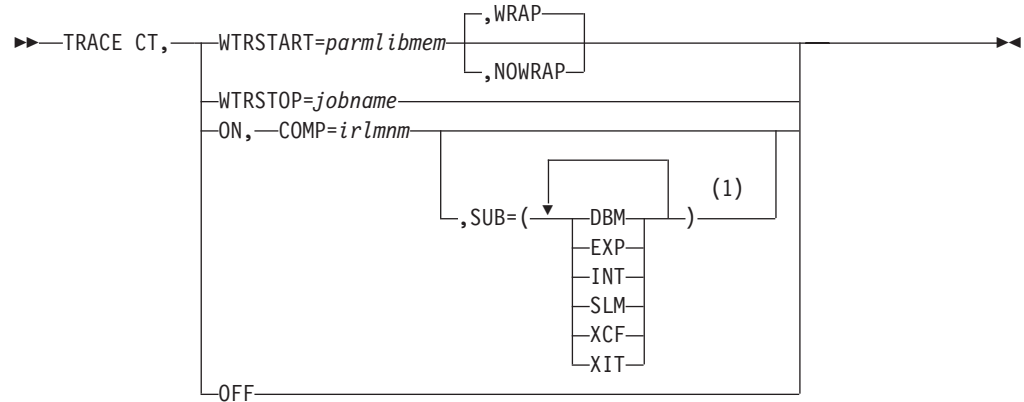
```
NONE
```

Explanation: The operator on system 1 has terminated the IRLM procedure named IR21I. No operator action on system 2 is required.



## Chapter 75. TRACE CT

### Format



#### Notes:

- 1 The same trace type can be specified only once.

### Usage

Use the z/OS TRACE CT command to start, stop, or modify an IRLM diagnostic trace. IRLM does not support all the options available on the TRACE CT command described in *OS/390 MVS System Commands (GC28-1781)*.

The impact of setting TRACE CT ON is that each active subname type requires up to .7 MB of ECSA. Because IRLM initializes its own traces when it starts, the DISPLAY TRACE command shows that all traces are off. After you issue the TRACE ON command, the reports are accurate except for the two subname types, INT and EXT, which cannot be turned off.

This command can be entered only from the master console. The command requires an appropriate level of z/OS authority, as described in *OS/390 MVS System Commands (GC28-1781)*.

#### CT

Specifies the component trace (instead of the other trace options available on the z/OS TRACE command).

#### WTRSTART=parmlibmem

Identifies the name of the member that contains the source JCL that invokes the external writer and defines the data set to which external writer writes the trace buffers. The member can be a SYS1.PROCLIB cataloged procedure or a job. Many installations use a cataloged procedure in SYS1.PROCLIB.

After you enter a TRACE CT,WTRSTART command, turn the trace on and connect the writer using the WTR parameter in the reply for a TRACE CT command, as shown in "Examples" on page 789

#### WRAP

Specifies that when the system reaches the end of the data set or

group of data sets, it writes over the oldest data at the start of the data set or the start of the first data set in the group. The primary extents of the data set are used.

**NOWRAP**

Specifies that the system stops writing to the data set or data sets when they are full. The primary and secondary extents of the data sets are used.

**WTRSTOP=*jobname***

Identifies the job name of a component trace external writer to be stopped. The data sets that the writer used are closed.

The job name is either:

- A member name, if the source JCL is a procedure.
- The name on a JOB statement within the source JCL.

**ON**

Turns on the trace.

**COMP=*irlmssnm***

The IRLM subsystem name.

**SUB=*subname***

Identifies the type of sublevel trace desired. This parameter can be any of the following values:

**DBM**

Trace interactions with the identified DBMS.

**EXP**

Trace any exception condition. EXP is automatically turned on when IRLM starts running and is permanently turned on.

**INT**

Trace member and group events outside of normal locking activity. INT is automatically turned on when IRLM starts running and is permanently turned on.

**SLM**

Trace interactions with the z/OS locking component.

**XCF**

Trace all interactions with z/OS Cross-System coupling services.

**XIT**

Trace just asynchronous interactions with the z/OS locking component. XIT is automatically turned on when IRLM starts running, but it can be turned off using the z/OS TRACE CT command.

**OFF**

Turns off the trace. If IRLM is connected to a component trace external writer, the system forces an implicit disconnect.

In the case of the EXP and INT sublevel traces, the OFF parameter stops the traces from writing to the external writer. However they continue to write to buffers. These traces are used by IMS for debugging purposes.

## Ensure IRLM Load Module Is in z/OS Link List

Because this command uses z/OS component trace services, make sure that the IRLM start and stop load module, DXRRL183, is in the z/OS link list.

## Sample External Writer Procedure

Here is a sample procedure for the IRLM external writer:

```
//CTWTR   PROC
//        EXEC PGM=ITTTTCWR
//TRCOUT01 DD  DSNAME=SYS1.WTR1,DISP=OLD
//TRCOUT02 DD  DSNAME=SYS1.WTR2,DISP=OLD
```

## Displaying a Trace

To display a trace, use the z/OS DISPLAY command:

```
D TRACE,COMP=IRLM
```

---

## Examples

### Example 1 for TRACE CT

Here is an example sequence of commands to start and stop an IRLM DBM trace. In this example, the trace data is written to an external writer data set identified in procedure CTWTR:

```
TRACE CT,WTRSTART=CTWTR
TRACE CT,ON,COMP=IRLM,SUB=(DBM)
:
: (z/OS asks for a reply.)
:
R 15,WTR=CTWTR,END
TRACE CT,OFF,COMP=IRLM,SUB=(DBM)
:
: (Wait a while to make sure trace buffers are externalized.)
TRACE CT,WTRSTOP=CTWTR
```

### Example 2 for TRACE CT

Here is a sample procedure to start and stop traces in wrap-around mode. The traces captured in this procedure are saved in a limited number of buffers that are provided by IRLM. Each buffer is reused when the previous buffer is filled.

```
TRACE CT,ON,COMP=IRLM
:
: (z/OS asks for a reply.)
:
R 15,END
TRACE CT,OFF,COMP=IRLM
```



---

## Chapter 76. CANCEL/FORCE ODBA

The CANCEL and FORCE commands are used to terminate an ODBA application address space with an active connection to an IMS subsystem.

---

### Format

►►—CANCEL *jobname*—◄◄

---

### Usage

The CANCEL *jobname* command is used to terminate an ODBA application address space with an active connection to an IMS subsystem. In this command, *jobname* is the ODBA application address space.

If there are no active threads under this connection to IMS, allow the CANCEL command to be processed by z/OS. If there appear to be active threads (IDTTHDCT is greater than zero), the CANCEL command is rejected and message DFS08051 is issued.

Once the CANCEL command has been issued, no additional threads will be allowed to schedule from the target address space until the connection to IMS has been successfully terminated and re-initialized.

The CANCEL is rejected to protect the IMS control region from ABENDU0113 or other related abends. If it is invalid for threads to be active at this time, gather documentation to determine the reason for the active thread(s).

---

### Format

►►—FORCE *jobname*—◄◄

---

### Usage

The FORCE *jobname* command is used to terminate an ODBA application address space with an active connection to an IMS subsystem if the CANCEL command was rejected. In this command, *jobname* is the ODBA application address space.

**Recommendation:** Attempt the CANCEL command prior to attempting the FORCE command.

If this is the first time that FORCE has been issued against the current iteration of the ODBA application address space, DFS1S100 will change the FORCE to a CANCEL and allow z/OS to process the CANCEL command.

If the CANCEL command was rejected and a prior FORCE command was issued against the current iteration of the ODBA application address space and was not successful, issue a second FORCE command to allow z/OS to process the second FORCE command.

Use the FORCE command with caution. By allowing z/OS to CANCEL the address space, it is possible that the IMS control region may terminate abnormally depending on the actual state of the active thread(s). Resolve the outstanding active threads prior to issuing the FORCE command.



---

## Chapter 77. STOP CSL Address Spaces

---

### Format

▶▶—P—*rmjobname*—————▶▶

▶▶—P—*omjobname*—————▶▶

▶▶—P—*scijobname*—————▶▶

---

### Usage

The STOP (P) *rmjobname*, P *omjobname*, and P *scijobname* command is used to shut down the Resource Manager (RM), Operations Manager (OM), and Structured Call Interface (SCI) address spaces in an IMSplex.

***rmjobname***

Identifies the job name of the RM address space to be stopped.

***omjobname***

Identifies the job name of the OM address space to be stopped.

***scijobname***

Identifies the job name of the SCI address space to be stopped.

For more information about shutting down individual CSL address spaces, see *IMS Version 9: Common Service Layer Guide and Reference*.

To shut down the CSL as one unit, issue the CSL SHUTDOWN command to any SCI in the IMSplex with the z/OS MODIFY command interface.

**Note:** Before issuing the z/OS MODIFY command, issue a /CHE FREEZE command to terminate all IMSplex members that might be connected to the CSL.

To shut down a CSL on one z/OS image, issue the following z/OS MODIFY command:

```
F scijobname,SHUTDOWN CSLLCL
```

where *scijobname* is the name of the SCI in the CSL.

This command shuts down the CSL on the z/OS image associated with the SCI that receives the command. Use this version of the command to shut down the CSL on a single z/OS image in an orderly way.

To shut down an entire IMSplex, issue the following z/OS MODIFY command:

```
F scijobname,SHUTDOWN CSLPLEX
```

where *scijobname* is the name of the SCI in the CSL.

This command shuts down the CSL managers on all z/OS images in a single IMSplex associated with the SCI that receives the command.

For more information about shutting down the CSL using z/OS commands, see *IMS Version 9: Common Service Layer Guide and Reference*.

## Part 4. IMS Transport Manager Subsystem Commands

<b>Chapter 78. Introduction</b> . . . . .	797
<b>Chapter 79. DEFINE</b> . . . . .	799
Format . . . . .	799
Usage. . . . .	799
<b>Chapter 80. DISPLAY</b> . . . . .	801
Format . . . . .	801
Usage. . . . .	801
Examples . . . . .	805
Example 1 for DISPLAY Command . . . . .	805
Example 2 for DISPLAY Command . . . . .	805
Example 3 for DISPLAY Command . . . . .	805
Example 4 for DISPLAY Command . . . . .	806
Example 5 for DISPLAY Command . . . . .	806
Example 6 for DISPLAY Command . . . . .	806
<b>Chapter 81. SET</b> . . . . .	807
Format . . . . .	807
Usage. . . . .	807
<b>Chapter 82. START</b> . . . . .	809
Format . . . . .	809
Usage. . . . .	809
<b>Chapter 83. STOP</b> . . . . .	811
Format . . . . .	811
Usage. . . . .	811



---

## Chapter 78. Introduction

Transport Manager Subsystem commands can be issued either from a SYSIN data set as an automated process during component start or from a z/OS console using the z/OS MODIFY command (F procname,command).

Transport manager commands are:

- DEFINE
- DISPLAY
- SET
- START
- STOP



## Chapter 79. DEFINE

### Format

```

▶▶—DEFINE—SYSTEM—(—name—)—STARTED—STOPPED—▶▶

```

### Usage

The DEFINE command is used to define one or more transport manager subsystems that support IMS components for one or more global service groups.

A START SYSTEM(name) command is required to start the TMS once it has been defined.

#### SYSTEM

Specifies the first portion (1 to 5 characters) of the VTAM APPLID used by the other transport managers to which this transport manager should connect. The name specified should match the SET APPLID. A system name that matches the APPLID of this transport manager (specified on SET) causes an informational message to be issued; other system names will continue to be processed.

Transport manager will not communicate with an LU whose name has not been defined by a DEFINE SYSTEM command.

#### STARTED

Specifies that the system should be started automatically when the TMS is started or (if the TMS is already started) when the DEFINE command is processed.

STARTED is the default.

#### STOPPED

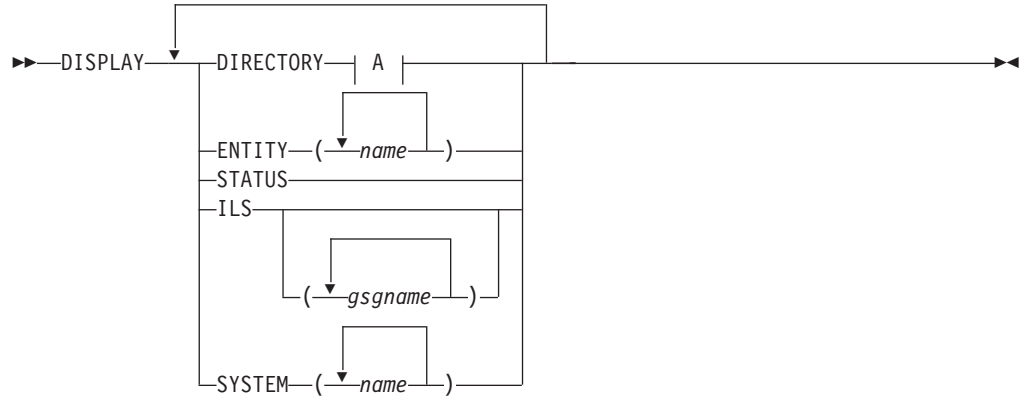
Specifies that the system should not be started automatically when the TMS is started or (if the TMS is already started) when the DEFINE command is processed.



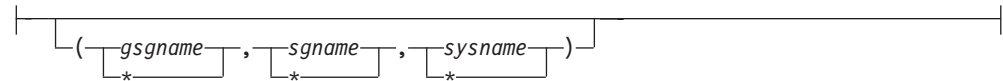


## Chapter 80. DISPLAY

### Format



**A:**



### Usage

The DISPLAY command is used to provide information about the definition and status of resources related to transport manager. Transport manager only provides communication services for the active and tracking site IMSs; it has no knowledge of the activities at either site.

To see information related to active site IMS or tracking site IMS use the IMS /DISPLAY command.

#### **DIRECTORY**

Displays current entity (IMS subsystem or ILS task) information from the transport manager directory. If no entity (or list of entities) is specified, all information in the directory is displayed. The directory information includes information on the global service group (GSG) name, the service group (SG) name, the system name, the instance name, and the component name.

If you specify \*, then ALL information for the entity is displayed.

#### **ENTITY**

Displays entities (IMS subsystems and ILS tasks) currently identified to this transport manager. If no list of entity names is provided, all are displayed. Entity information is displayed for the following:

#### **MSGNAME**

The IMS ID or job name of the entity. This is included in various TMS messages (prefix ELX) to identify the entity.

#### **GSGname**

The global service group name.

**SGname**

The service group name.

**INSTANCEname**

The TMS instance name.

**COMPONENTname**

The TMS component name.

**APPLID**

The VTAM APPLID assigned to the entity.

**STATUS**

The relationship between the entity and the transport manager. The status of the entity can be any of the following:

**IDENO**

APPLID resource name is allocated for the entity during the IDENTIFY processing.

**IDEN1**

APPLID resource name is committed for the entity during the IDENTIFY processing.

**ACT**

The entity is active.

**FAIL**

The entity has failed during the IDENTIFY processing.

**STATUS**

Displays the status information of this transport manager as the following:

**TRANSPORT MANAGER**

The version number of the transport manager.

**STATUS**

The status of the entity can be any of the following:

**STARTING**

Transport manager start requested.

**STARTED**

Transport manager started.

**STOPPING**

Transport manager stop requested.

**STOPPED**

Transport manager stopped.

**INSTANCE**

The instance name of the transport manager.

**APPLID/SYSTEM**

The system name of the transport manager.

**ENTITIES**

The number of the active entities (including the TMS itself).

**SYSTEMS**

The number of the active systems.

**ILS**

Displays information on all or on specific global service groups for which ILS is currently started in a transport manager subsystem address space. A DISPLAY

ILS command will not complete while a volume mount is outstanding for other than the first volume of a multivolume log data set.

### **GSG.SG SUMMARY**

Summary information for each tracking subsystem being supported.

#### **GSG**

Global service group name (from the START ILS command).

#### **SG**

Service group name of the tracking subsystem for which this group of display information applies.

#### **MODE**

VTAM mode name used for conversations (from the START ILS command).

#### **MAXCONV**

The maximum number of conversations allowed (from the START ILS command).

#### **CONV**

The number of conversations currently allocated between this ILS and the tracking subsystem.

#### **Q-REQ**

The number of *query* requests received from the tracking subsystem since communication began with the tracking subsystem. *Query* requests are sent periodically by the tracking subsystem to determine if active service group IMS subsystems have run without communicating with the tracking subsystem.

#### **G-REQ**

The number of *gap* requests received from the tracking subsystem since communication began with the tracking subsystem.

#### **DS-SENT**

The number of log data sets successfully sent to the tracking subsystem since communication began with the tracking subsystem. ILS actually sends contiguous portions of log data sets based on the gaps in log data at the tracking site. When all of one of these contiguous portions is sent, the value of this display field is incremented.

### **DATASETS**

If any log data sets are currently under consideration for transport to the tracking subsystem described above, they are listed below a separator line. If there is no data set activity, there will be no separator.

#### **STATUS**

Indicates the current state of processing for a particular data set.

##### **ACTIVE**

The data set is currently being transported, no delays other than waits for data set read have been detected.

##### **W-CONV**

The data set may be selected for transmission as soon as a conversation is available.

##### **ALLOC-IP**

The data set is queued for or in the process of allocation or deallocation. This involves z/OS ENQ/DEQ (for OLDS data sets),

z/OS DYNALLOC, z/OS OPEN/CLOSE functions. Only one data set is processed through this function at a time, so a delay of one may delay others. The most likely cause of a delay in this state would be an unsatisfied tape mount.

**DBRC-IP**

ILS logic is awaiting completion of a DBRC request related to this data set. The most likely cause of a delay in this state would be contention for the RECON data sets.

**W-SEND**

The data set is currently being transported, but VTAM is not accepting data as fast as ILS is attempting to send it; send is currently waiting for completion of a previous VTAM send. This state generally reflects the results of VTAM pacing controls that limit the ILS to tracking subsystem data rate.

**W-TRKPAC**

The data set is currently being transported, but the tracking subsystem is not accepting data as fast as ILS is attempting to send it. This state generally reflects the tracking subsystem's inability to write log data as fast as ILS can send it.

**W-TRKOK1**

The data set is part of a gap; the tracking subsystem has not yet approved actual transport of data sets to fill the gap.

**W-TRKOK2**

ILS is waiting for the tracking subsystem to approve transport of this specific data set.

**RECORDS-SENT**

The number of records, in decimal, that have been sent. The number is of the form nnnK, where K represents 1024 records. The number is rounded off to the nearest K.

**NAME**

The IMSID of the active system that created the log data set or the job name of the BATCH or BBO job that created the log data set.

**VOLSER**

The volume serial number, if any, used in allocation of the data set. If this field is blank, the data set is (expected to be) cataloged.

**DSNAME**

The data set name that is or will be read for transport. This may be a primary or secondary copy of an OLDS or SLDS data set.

**SYSTEM**

Displays status information about the specified systems. The system name is specified by the DEFINE command and status are displayed. If no list is provided, all are displayed. The status of the system can be any of the following:

**RALOC**

Allocation requested for the system.

**ALOC**

The system is actually allocated.

**RSTA**

Start requested for the system.

**STA**

The system is actually started.

**RSTO**

Stop requested for the system.

**STO**

The system is actually stopped.

**Examples**

The following are examples of output from the DISPLAY command.

**Example 1 for DISPLAY Command**

Entry ET:

```
DISPLAY DIRECTORY
```

Response ET:

```
ELX0170I TRANSPORT MANAGER DISPLAY: 92.078 13.48.29.0
GSG      SG      SYSTEM  INSTANCE COMPONENT
*        *        TMP2    *        TMANAGER
FUNDS    SITEA   TMP2    IMSA    LOGGER
FUNDS    SITET   TMP4    IMSC    LOGROUTR
FUNDS    SITEA   TMP2    IMSB    LOGGER
FUNDS    SITEA   TMP2    *      ISEND
```

Explanation: When the DIRECTORY object keyword is completely processed, this message is issued for current entity information from the transport manager directory.

**Example 2 for DISPLAY Command**

Entry ET:

```
DISPLAY DIRECTORY
```

Response ET:

```
ELX0170I TRANSPORT MANAGER DISPLAY: 92.078 13.58.39.0
*** NO DIRECTORY TO DISPLAY ***
```

Explanation: The DIRECTORY has no entities to display. This message is issued when transport manager has not started by the time the DISPLAY command is processed.

**Example 3 for DISPLAY Command**

Entry ET:

```
DISPLAY ENTITY
```

Response ET:

```
ELX0170I TRANSPORT MANAGER DISPLAY: 92.090 13.48.29.0
MSGNAME  GSG      SG      INSTANCE COMP  APPLID  STATUS
TMP      *        *        *        TMANAGER TMP2001 IDEN1,ACT
TMPA     FUNDS    SITEA   IMSA    LOGGER  *      IDENO
```

Explanation: When the ENTITY object keyword is completely processed, this message is issued to display entities currently identified to this transport manager.

## Example 4 for DISPLAY Command

Entry ET:

```
DISPLAY SYSTEM
```

Response ET:

```
ELX0170I TRANSPORT MANAGER DISPLAY: 92.078 13.54.51.1
SYSTEM STATUS
TMP4 ALOC,STA
TMP3 ALOC,STA
TMP5 ALOC,STA
```

Explanation: When the SYSTEM object keyword is completely processed, this message is issued to display status information for the specified systems.

## Example 5 for DISPLAY Command

Entry ET:

```
DISPLAY ILS
```

Response ET:

```
ELX0170I TRANSPORT MANAGER DISPLAY: 91.105 12.07.24.7
GSG: IMSGSG1 SG: STLSITE1 MODE: ILSMODE MAXCONV: 2
CONV: 2 Q-REQ: 92 G-REQ: 3 DS-SENT: 5
**** DATASETS ****
STATUS RECORDS-SENT NAME VOLSER DSNAME
W-SEND 12K IMSA L00813 BURKES.PAYROLL.SLDSP1
ACTIVE 72K IMSA KENTT.PAYROLL.DFSOLP03
W-CONV 0K IMSA L00803 BURKES.PAYROLL.SLDSP2
```

Explanation: When the ILS object keyword is completely processed, this message is issued to display isolated log sender status for the specified GSG name.

## Example 6 for DISPLAY Command

Entry ET:

```
DISPLAY STATUS
```

Response ET:

```
ELX0170I TRANSPORT MANAGER DISPLAY: 90.078 13.56.59.5
TRANSPORT MANAGER V5 R0 STATUS: STARTING,STARTED
INSTANCE: ELX APPLID/SYSTEM: TMP2
ENTITIES: 1 SYSTEMS: 3
```

Explanation: When the /DISPLAY command is entered with the STATUS object keyword, this message is issued to display the status of resources related to transport manager.



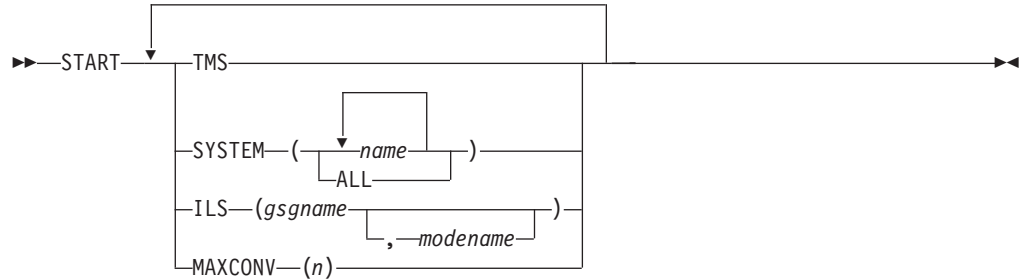
transport-manager-to-transport-manager conversations. Automatic restart attempts are made after conversation failures and are continued until a conversation is established or a STOP SYSTEM or STOP RETRY command is issued.

The default value is 300 seconds.



## Chapter 82. START

### Format



### Usage

The /START command is used to activate the objects specified (TMS, SYSTEM, or ILS).

#### TMS

Specifies that the transport manager is to be started. The START TMS command should be issued after the initial SET and DEFINE commands.

#### SYSTEM

Specifies that conversations to the specified systems are to be started. This command may be required after a network outage where the transport managers are up but there has been no network connectivity. Specifying SYSTEM(ALL) causes start to be attempted for all systems not already started or starting.

#### ILS

Specifies that an isolated log sender task is to be started.

*gsgname* specifies the 1- to 8-character name of the global service group to be serviced by this instance of isolated log sender.

*modename* specifies the VTAM mode name to be used when allocating conversations for a transfer request. If *modename* is not specified, the TMS default mode name, TMDEFLT, is used.

#### MAXCONV

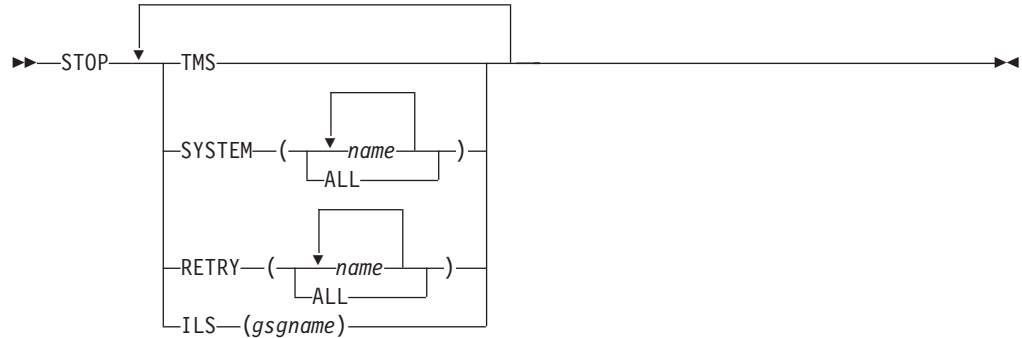
Specifies, for an ILS task, the maximum number of concurrent data set transfers to be used to process one transfer request. The most efficient value is highly dependent on network capacity and routing, as well as on disk configurations and allocations on both local and remote sites.

The default value is 2. The maximum value is 30.



## Chapter 83. STOP

### Format



### Usage

The STOP command is used to stop the objects specified. In order to stop the entire transport manager subsystem, you can use z/OS STOP command (P procname) from the z/OS console.

#### TMS

Specifies that the entire TMS subsystem is to be stopped.

#### SYSTEM

Specifies that conversations to the specified systems are to be stopped. Requests from other systems to establish conversations will be rejected.

#### RETRY

Specifies that automatic conversation allocation retry is to be stopped for the specified systems or for ALL systems. Requests from other systems to establish conversations will be accepted.

Automatic conversation allocation retry is allowed again after a conversation is successfully established with the specified systems.

#### ILS

Specifies that an isolated log sender task is to be stopped.

gsgrname specifies the 1- to 8-character name of the global service group being serviced by the instance of isolated log sender to be stopped.



---

## Part 5. Base Primitive Environment Commands

<b>Chapter 84. BPE Commands</b> . . . . .	815
BPE Command Syntax and Invocation . . . . .	815
BPE Command Invocation . . . . .	815
BPE Wildcard Character Support . . . . .	816
Specifying IMS Component Command Parameters . . . . .	816
BPE TRACETABLE Commands . . . . .	817
Format of DISPLAY TRACETABLE Command . . . . .	817
Usage of DISPLAY TRACETABLE Command . . . . .	817
Format of UPDATE TRACETABLE Command . . . . .	821
Usage of UPDATE TRACETABLE Command . . . . .	822
BPE DISPLAY VERSION Command . . . . .	824
Format of DISPLAY VERSION Command . . . . .	824
Usage of DISPLAY VERSION Command . . . . .	824
BPE USEREXIT Commands . . . . .	825



## Chapter 84. BPE Commands

### BPE Command Syntax and Invocation

BPE supports two command formats: a verb only format, and a verb-resourcetype format.

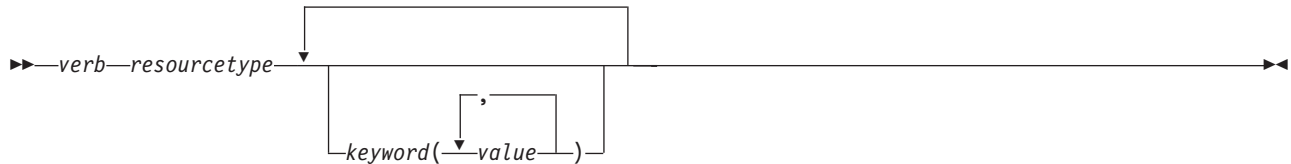
The verb only format consists of a verb, followed by zero or more keyword-value pairs, with the values enclosed in parentheses.

#### BPE Verb Only Command Syntax



The verb-resourcetype format consists of a verb, a resource type, and zero or more keyword value pairs.

#### BPE Verb-Resource Type Command Syntax



#### *verb*

A command verb representing an action. Some verb examples are DISPLAY, UPDATE, and REFRESH.

#### *resourcetype*

The type of resource that is operated on by the verb. Some resource examples are TRACETABLE and USEREXIT.

#### *keyword(value)*

A set of zero or more keywords and values that represent attributes, filters, or other modifiers that apply to the command. For example, NAME() to identify the specific resource(s) or LEVEL() to specify a trace level.

### BPE Command Invocation

You can only invoke BPE commands through the MVS MODIFY command. The following diagram illustrates the general syntax for entering commands through the modify interface.

#### BPE Command Invocation



**F** The MVS modify command.

*jobname*

The jobname of the address space to which the command is directed.

*command*

The command being issued.

## BPE Wildcard Character Support

Some parameters on BPE commands support wildcard characters for pattern matching. For such parameters, you can use the following wildcard characters:

- \* Matches zero or more characters
- % Matches exactly one character

The following examples illustrate some uses of wildcard characters.

**BE\*** Matches any string beginning with "BE", of any length. For instance: BE, BEE, BEEBLEBROX.

**%%S** Matches any three-character string ending with an "S". For instance: IMS, CQS.

**R\*S\*T%R**

Matches any string beginning and ending with "R", having an "S", followed by a "T" in the middle, with any number of intervening characters between the first "R", the "S", and the "T", and exactly one character between the "T" and the final "R". For instance: ROASTER, ROSTER, RESORTER, RESCEPTOR, RSTZR.

- \* Matches any string.

## Specifying IMS Component Command Parameters

BPE commands enable you to display and update resources that BPE manages. Some resource types are defined and owned by BPE itself. These resource types are known as "system resource types." Commands that specify system resource types can be issued to any IMS component running in a BPE environment. For example, BPE defines several BPE system trace table types like DISP, STG, and CBS. These trace tables exist in every BPE address space. Commands to display and update these trace table types can be issued to any BPE address space.

Other resource types are defined and owned by the IMS component that is using BPE services. These resource types are known as "component resource types" or "user-product resource types." Commands that specify component resource types can only be issued to the IMS component that defines those types. For example, CQS defines several CQS-specific trace tables such as STR, CQS, and INTF. Commands to display and update these trace table types can be issued only to CQS address spaces.

BPE commands also provide the ability to restrict the resource types upon which a command operates to either those owned by BPE, or to those owned by the IMS component of the address space to which the command is issued. This is done through the OWNER keyword on commands that support OWNER. Use OWNER(BPE) to restrict the command operation to resource types that BPE owns and defines (system resource types). Use OWNER(*component\_type*) to restrict the command operation to resource types that the IMS component address defines and owns (component resource types). Table 190 on page 817 shows the valid values for the OWNER parameter, and the address space types to which they apply:



Table 190. Valid Values for OWNER Parameter

OWNER	Address Space Type
BPE	Any IMS component running in a BPE address space
CQS	Common Queue Server
OM	Operations Manager
RM	Resource Manager
SCI	Structured Call Interface

## BPE TRACETABLE Commands

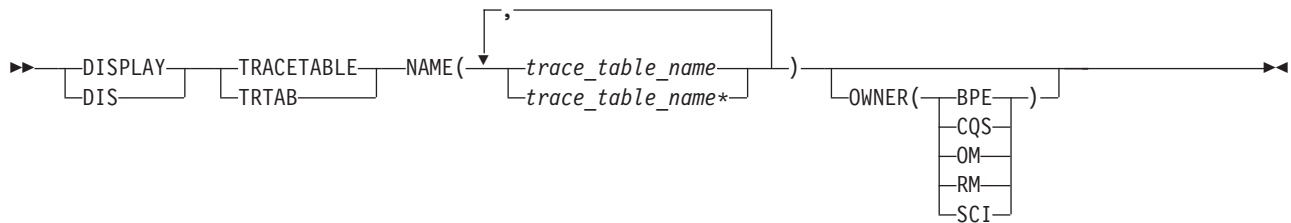
The TRACETABLE resource type refers to the internal BPE-managed trace tables defined either by BPE (for example: DISP, CBS, STG, LATC), or by the IMS component using BPE (for example: CQS, OM, RM, SCI). Two command verbs operate on the TRACETABLE resource type:

**DISPLAY**      Display trace level and number of trace table pages of specified trace tables.

**UPDATE**      Update trace level attribute of specified trace tables.

### Format of DISPLAY TRACETABLE Command

Use this command to display the current attribute settings for the requested trace tables.



### Usage of DISPLAY TRACETABLE Command

**DISPLAY | DIS**

A required parameter, which specifies that the action against the specified resource is to display attributes of the resource.

**TRACETABLE | TRTAB**

A required parameter, which specifies that the resource type being acted upon is a BPE-managed trace table.

**NAME(trace\_table\_name)**

A required parameter, which specifies the name of the trace table type or types about which you want attributes displayed. You can specify a single trace table name or a list of trace table names separated by commas. Trace table names can contain wildcard characters. See “BPE Wildcard Character Support” on page 816 for more information about using wildcard characters. Trace table names can be BPE-defined trace tables or IMS component-defined trace tables.

You can display BPE-defined trace tables for any IMS component address space that is using BPE. These BPE-defined trace table types are available:

<b>AWE</b>	Asynchronous work element (AWE) trace table
<b>CBS</b>	Control block services trace table
<b>CMD</b>	Command trace table
<b>DISP</b>	Dispatcher trace table
<b>HASH</b>	Hash trace table
<b>ERR</b>	BPE Error trace table
<b>LATC</b>	Latch trace table
<b>MISC</b>	Miscellaneous trace table that is used only by IMS Service for trap traces
<b>SSRV</b>	System services trace table
<b>STG</b>	Storage service trace table
<b>USRX</b>	User exit routine trace table

You can display CQS-defined trace tables only for CQS address spaces. These CQS-defined trace table types are available:

<b>CQS</b>	CQS trace table
<b>ERR</b>	CQS error trace table
<b>INTF</b>	CQS interface trace table
<b>STR</b>	CQS structure trace table

You can display OM-defined trace tables only for OM address spaces. These OM-defined trace table types are available:

<b>CSL</b>	Common Service Layer (CSL) trace table
<b>ERR</b>	OM error trace table
<b>OM</b>	Operations Manager (OM) processes trace table
<b>PLEX</b>	IMSplex trace table for OM processing for a specific IMSplex

You can display RM-defined trace tables only for RM address spaces. These RM-defined trace table types are available:

<b>CSL</b>	Common Service Layer (CSL) trace table
<b>ERR</b>	RM error trace table
<b>PLEX</b>	IMSplex trace table for RM processing for a specific IMSplex
<b>RM</b>	Resource Manager (RM) processes trace table

You can display SCI-defined trace tables only for SCI address spaces. These SCI-defined trace table types are available:

<b>CSL</b>	Common Service Layer (CSL) trace table
<b>ERPL</b>	SCI Error Parameter List trace table
<b>ERR</b>	SCI error trace table
<b>INTF</b>	SCI interface trace table
<b>INTP</b>	SCI interface parameter trace table
<b>PLEX</b>	IMSplex trace table for SCI processing for a specific IMSplex

**SCI** Structured Call Interface (SCI) processes trace table

### **OWNER(BPE | CQS | OM | RM | SCI)**

An optional parameter that specifies the owner of the trace table type or types about which you want attributes displayed. You can specify one of the following values:

**BPE** For all IMS components that are running in a BPE address space.

**CQS** For CQS address spaces only

**OM** For OM address spaces only

**RM** For RM address spaces only

**SCI** For SCI address spaces only

The OWNER parameter acts as a filter to help you select which trace tables you want to display. For example, you could specify NAME(\*) OWNER(CQS) to display all of the CQS-defined trace table types (CQS, ERR, STR, and INTF) in a CQS address space. You could specify NAME(\*) OWNER(BPE) to display all of the BPE-defined trace table types in *any* BPE-managed address space. If OWNER is omitted, then both BPE and component trace tables might be displayed (depending on the tables specified on NAME).

### **DISPLAY TRACETABLE Command Output**

The DISPLAY TRACETABLE command output consists of a header line, one line per selected trace table, and one message BPE0032I line indicating that the command has completed. Here is an example.

```
BPE0030I TABLE OWNER LEVEL #PAGES
BPE0000I DISP BPE HIGH 12
BPE0000I STR CQS MEDIUM 8
BPE0032I DISPLAY TRACETABLE COMMAND COMPLETED
```

These columns are in the DISPLAY TRACETABLE output:

<b>TABLE</b>	Specifies the name of the trace table type about which information is being displayed on the current row. Either BPE or the product using BPE owns this trace table.
<b>OWNER</b>	Specifies the IMS component that owns the trace table. BPE-owned trace tables are system trace tables, and exist in all IMS component address spaces that use BPE. Trace tables that are specific to an IMS component show the 1- to 4-character component identifier in this column.
<b>LEVEL</b>	Specifies the current level setting of the trace table. A trace table's level determines the volume of trace data collected. These levels are possible: <ul style="list-style-type: none"> <li><b>NONE</b> No tracing is being done into the table.</li> <li><b>ERROR</b> Only traces for error or exception conditions are being made into the table.</li> <li><b>LOW</b> Only major event trace entries are made into the table.</li> <li><b>MEDIUM</b> Major event trace entries and some minor event trace entries are made into the table.</li> <li><b>HIGH</b> All trace entries are made into the table.</li> <li><b>INACTV</b> The trace table is inactive and cannot be used. This</li> </ul>

status occurs only when BPE was unable to get any storage for the trace table. No tracing will be done for the indicated table type, and you cannot change the level for the trace table with the UPDATE TRACETABLE command. You must restart the address space in order to use the trace table again.

**#PAGES** Specifies the number of 4K (4096 byte) pages allocated for the trace table type.

### Command Example 1

Display the status of the BPE dispatcher trace table (DISP).

#### Command:

```
F CQS1,DISPLAY TRACETABLE NAME(DISP)
```

#### Output:

```
BPE0030I TABLE OWNER LEVEL #PAGES
BPE0000I DISP BPE HIGH 12
BPE0032I DISPLAY TRACETABLE COMMAND COMPLETED
```

### Command Example 2

Display the status of all CQS traces.

#### Command:

```
F CQS1,DIS TRTAB NAME(*) OWNER(CQS)
```

#### Output:

```
BPE0030I TABLE OWNER LEVEL #PAGES
BPE0000I CQS CQS MEDIUM 4
BPE0000I ERR CQS HIGH 4
BPE0000I INTF CQS LOW 8
BPE0000I STR CQS HIGH 8
BPE0032I DISPLAY TRACETABLE COMMAND COMPLETED
```

### Command Example 3

Display the status of all traces in an SCI address space.

#### Command:

```
F SCI,DIS TRTAB NAME(*)
```

#### Output:

```
BPE0030I TABLE OWNER LEVEL #PAGES
BPE0000I AWE BPE HIGH 6
BPE0000I CBS BPE HIGH 6
BPE0000I CMD BPE HIGH 2
BPE0000I CSL SCI HIGH 8
BPE0000I DISP BPE HIGH 8
BPE0000I ERPL SCI HIGH 8
BPE0000I ERR BPE HIGH 2
BPE0000I ERR SCI HIGH 4
BPE0000I HASH BPE HIGH 8
BPE0000I INTF SCI HIGH 8
BPE0000I INTP SCI HIGH 16
BPE0000I LATC BPE HIGH 8
BPE0000I MISC BPE HIGH 1
BPE0000I PLEX SCI HIGH 8
BPE0000I SCI SCI HIGH 8
BPE0000I SSRV BPE HIGH 4
```

```
BPE0000I STG    BPE    HIGH    8
BPE0000I USRX  BPE    HIGH    4
BPE0032I DISPLAY TRACETABLE COMMAND COMPLETED
```

**Command Example 4**

Display the status of all OM traces.

**Command:**

```
F OM,DIS TRTAB NAME(*) OWNER(OM)
```

**Output:**

```
BPE0030I TABLE OWNER LEVEL #PAGES
BPE0000I CSL    OM    HIGH    4
BPE0000I ERR    OM    HIGH    4
BPE0000I OM     OM    HIGH    4
BPE0000I PLEX   OM    HIGH    8
BPE0032I DISPLAY TRACETABLE COMMAND COMPLETED
```

**Command Example 5**

Display the status of the PLEX trace and all traces beginning with "C" in the RM address space.

**Command:**

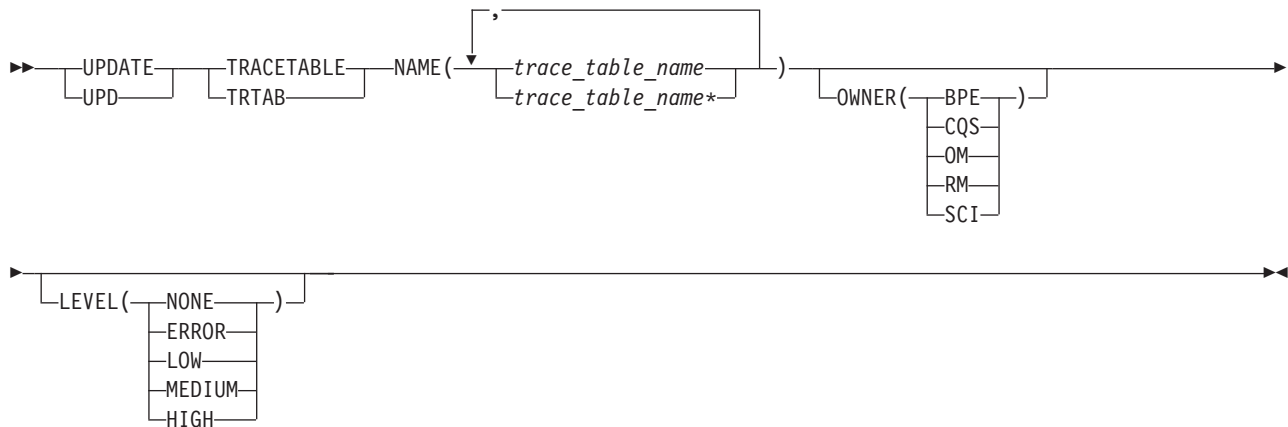
```
F RM,DIS TRTAB NAME(PLEX,C*)
```

**Output:**

```
BPE0030I TABLE OWNER LEVEL #PAGES
BPE0000I CBS    BPE    HIGH    6
BPE0000I CMD    BPE    HIGH    2
BPE0000I CSL    RM    HIGH    4
BPE0000I PLEX   RM    HIGH    8
BPE0032I DISPLAY TRACETABLE COMMAND COMPLETED
```

**Format of UPDATE TRACETABLE Command**

Use this command to change the trace level setting for the requested trace tables.



## Usage of UPDATE TRACETABLE Command

### UPDATE | UPD

A required parameter, which specifies that the action against the trace table is to update its attributes.

### TRACETABLE | TRTAB

A required parameter, which specifies that the resource type being acted upon is a BPE-managed trace table.

### NAME(*trace\_table\_name*)

A required parameter, which specifies the name of the trace table type or types that you want to update. You can specify a single trace table name or a list of trace table names separated by commas. Trace table names can contain wildcard characters. See “BPE Wildcard Character Support” on page 816 for more information about using wildcard characters. Trace table names can be BPE-defined trace tables or IMS component-defined trace tables.

You can update BPE-defined trace tables for any IMS component address space that is using BPE. These BPE-defined trace table types are available:

- AWE** Asynchronous work element (AWE) trace table
- CBS** Control block services trace table
- CMD** Command trace table
- DISP** Dispatcher trace table
- ERR** BPE Error trace table
- HASH** Hash trace table
- LATC** Latch trace table
- MISC** Miscellaneous trace table that is used only by IMS Service for trap traces
- SSRV** System services trace table
- STG** Storage service trace table
- USRX** User exit routine trace table

You can update CQS-defined trace tables only for CQS address spaces. These CQS-defined trace table types are available:

- CQS** CQS trace table
- ERR** CQS error trace table
- INTF** CQS interface trace table
- STR** CQS structure trace table

You can update OM-defined trace tables only for OM address spaces. These OM-defined trace table types are available:

- CSL** Common Service Layer (CSL) trace table
- ERR** OM error trace table
- OM** Operations Manager (OM) processes trace table
- PLEX** IMSplex trace table for OM processing for a specific IMSplex

You can update RM-defined trace tables only for RM address spaces. These RM-defined trace table types are available:

- CSL** Common Service Layer (CSL) trace table
- ERR** RM error trace table
- PLEX** IMSplex trace table for RM processing for a specific IMSplex
- RM** Resource Manager (RM) processes trace table

You can update SCI-defined trace tables only for SCI address spaces. These SCI-defined trace table types are available:

- CSL** Common Service Layer (CSL) trace table
- ERPL** SCI Error Parameter List trace table
- ERR** SCI error trace table
- INTF** SCI interface trace table
- INTP** SCI interface parameter trace table
- PLEX** IMSplex trace table for SCI processing for a specific IMSplex
- SCI** Structured Call Interface (SCI) processes trace table

#### **OWNER(BPE | CQS | OM | RM | SCI)**

An optional parameter that specifies the owner of the trace table type or types that you want to update. You can specify one of the following values:

- BPE** For all IMS components that are running in a BPE address space
- CQS** For CQS address spaces only
- OM** For OM address spaces only
- RM** For RM address spaces only
- SCI** For SCI address spaces only

The OWNER parameter acts as a filter to help you select which trace tables you want to update. For example, you could specify NAME(\*) OWNER(CQS) to update all of the CQS-defined trace table types (CQS, ERR, STR, and INTF) in a CQS address space. You could specify NAME(\*) OWNER(BPE) to update all of the BPE-defined trace table types in *any* BPE-managed address space. If OWNER is omitted, then both BPE and component trace tables might be updated (depending on the tables specified on NAME).

#### **LEVEL(*level*)**

An optional parameter that sets the new tracing level for the specified trace tables. If LEVEL is omitted, the level of the specified trace tables is not changed. These levels are possible:

- NONE** No tracing is being done into the table.
- ERROR** Only traces for error or exception conditions are being made into the table.
- LOW** Only major event trace entries are made into the table.
- MEDIUM** Major event trace entries and some minor event trace entries are made into the table.
- HIGH** All trace entries are made into the table.

**Important:** You cannot change the level for the trace table type ERR. BPE forces the level to HIGH to ensure that error diagnostics are captured. Any level that you specify for the ERR trace table is ignored.

### UPDATE TRACETABLE Command Output

The UPDATE TRACETABLE command output consists of message BPE0032I indicating that the command has completed:

```
BPE0032I UPDATE TRACETABLE COMMAND COMPLETED
```

#### Command Example 1

Update the level of the BPE dispatcher trace table (DISP) to HIGH.

##### Command:

```
F CQS1,UPDATE TRACETABLE NAME(DISP) LEVEL(HIGH)
```

##### Output:

```
BPE0032I UPDATE TRACETABLE COMMAND COMPLETED
```

#### Command Example 2

Update the level of all SCI trace tables to MEDIUM.

**Important:** You cannot change the level for the trace table type ERR -- even when using a wildcard character to select all tables with a given owner, as in this example. BPE forces the level to HIGH to ensure that error diagnostics are captured.

##### Command:

```
F SCI,UPD TRTAB NAME(*) OWNER(SCI) LEVEL(MEDIUM)
```

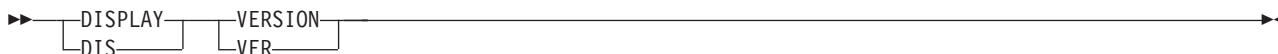
##### Output:

```
BPE0032I UPDATE TRACETABLE COMMAND COMPLETED
```

## BPE DISPLAY VERSION Command

Use this command to display both the version of the IMS component that is using BPE, and the version of the BPE in use.

### Format of DISPLAY VERSION Command



### Usage of DISPLAY VERSION Command

#### DISPLAY | DIS

A required parameter, which specifies that the action against the specified resource is to display attributes of the resource.

#### VERSION | VER

A required parameter, which specifies that the resource types being acted upon are the version number of the IMS component **and** the BPE in the current address space.



**DISPLAY VERSION Command Output**

The DISPLAY VERSION command output consists of a single display output line in the format **BPE00001 comp VERSION=cv.cr.cp BPE VERSION=bv.br.bp**.

- *comp* is the IMS component ID for the address space. It is one to four characters long and can have one of the following values:
  - CQS (Common Queue Server)
  - OM (Operations Manager)
  - RM (Resource Manager)
  - SCI (Structured Call Interface)
- *cv.cr.cp* is the full version number of the IMS component, where *cv* is the version, *cr* is the release, and *cp* is the point release. Similarly, *bv.br.bp* indicates the full version number of the BPE running in the address space

**Command Example 1**

Display the version of a CQS address space.

**Command:**

```
F CQS1,DISPLAY VERSION
```

**Output:**

```
BPE00001 CQS VERSION = 1.3.0 BPE VERSION = 1.4.0
```

**Command Example 2**

Display the version of an RM address space.

**Command:**

```
F RM1,DISPLAY VERSION
```

**Output:**

```
BPE00001 RM VERSION = 1.1.0 BPE VERSION = 1.4.0
```

**BPE USEREXIT Commands**

**Note:** Throughout this section, the term “user exit routine” means “user-supplied exit routine.”

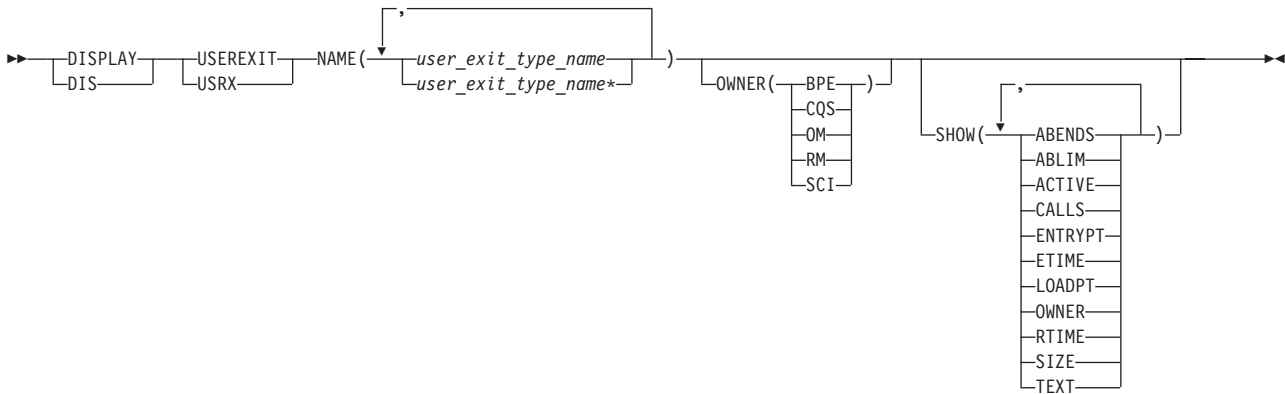
The USEREXIT resource type refers to the user exit types defined to and managed by either BPE or the IMS component using BPE (for example, CQS).

**DISPLAY** Display attributes of specified user exit types.

**REFRESH** Load new copies of the user exit modules for specified user exit types.

**Format of DISPLAY USEREXIT Command**

Use this command to display attributes for all modules associated with the specified user exit types.



## Usage of DISPLAY USEREXIT Command

### DISPLAY | DIS

A required parameter, which specifies that the action against the specified resource(s) is to display attributes of the resource(s).

### USEREXIT | USRX

A required parameter, which specifies that the resource type being acted upon is a BPE-managed user exit type.

### NAME(*user\_exit\_type\_name*)

A required parameter, which specifies the name of the user exit type or types about which you want attributes displayed. You can specify a single user exit type name or a list of user exit type names separated by commas. User exit type names can contain wildcard characters.

### Related Reading:

For more information about using wildcards, see “BPE Wildcard Character Support” on page 816.

**Important:** The name(s) specified in this parameter are the name(s) of user exit types, *not* the name(s) of individual user exit modules.

BPE and each address space that can use BPE have different user exit types. BPE’s user exit types, as specified by OWNER(BPE), include the following:

- INITTERM** Initialization-Termination user exit
- STATS** BPE system functions statistics user exit

User exit types are defined in all CQS address spaces, as specified by OWNER(CQS), and include the following:

- CLNTCONN** Client Connection user exit
- INITTERM** Initialization-Termination user exit
- OVERFLOW** Queue Overflow user exit
- STRSTAT** Structure statistics user exit
- STREVENT** Structure event user exit

User exit types are defined in all OM address spaces, as specified by OWNER(OM), and include the following:

<b>CLNTCONN</b>	Client Connection command registration and deregistration user exit
<b>INITTERM</b>	Initialization-Termination user exit
<b>INPUT</b>	Command input user exit
<b>OUTPUT</b>	Output user exit
<b>SECURITY</b>	Security checking user exit

User exit types are defined in all RM address spaces, as specified by OWNER(RM), and include the following:

<b>CLNTCONN</b>	Client Connection and Disconnection user exit
<b>INITTERM</b>	Initialization-Termination user exit

User exit types are defined in all SCI address spaces, as specified by OWNER(SCI), and include the following:

<b>CLNTCONN</b>	Client Connection and Disconnection user exit
<b>INITTERM</b>	Initialization-Termination user exit

#### **Related Reading:**

- See *IMS Version 9: Base Primitive Environment Guide and Reference* for more information about the BPE user exit routine types.
- See *IMS Version 9: Common Queue Server Guide and Reference* for more information about the CQS user exit routine types.
- See *IMS Version 9: Common Service Layer Guide and Reference* for more information about the OM, RM, and SCI user exit routine types.

#### **OWNER(BPE | CQS | OM | RM | SCI)**

An optional parameter that specifies the owner of the user exit type or types about which you want attributes displayed. You can specify one of the following values:

##### **BPE**

For all IMS components that are running in a BPE address space

##### **CQS**

For CQS address spaces only

##### **OM**

For OM address spaces only

##### **RM**

For RM address spaces only

##### **SCI**

For SCI address spaces only

The OWNER parameter acts as a filter to help you select the user exit types that you want to display. For example, you could specify NAME(\*) OWNER(CQS) to display all of the CQS-defined user exit types in a CQS address space. If OWNER is omitted, then both BPE and component user exits can be displayed (depending on the exits specified on NAME).

#### **SHOW(attribute)**

An optional parameter that specifies the attributes you want to display about the requested user exits.

When you display information about user exits, each row of display output contains the requested attributes for one user exit module, in columns. Every display for user exits contains the columns labeled EXITTYPE (the type of the exit), and MODULE (the load module name of the exit). Additionally, any of the following attributes can be requested by using the SHOW parameter:

**ABENDS** The number of abends that have occurred in the user exit module since the last user exit refresh of that module (or since address space initialization if no refreshes have been done). BPE keeps track of the number of abends that have occurred in each user exit module. When this number reaches the number defined on the ABLIM= parameter of the EXITDEF statement for the exit's type, BPE stops calling the module. If the user exit module is refreshed, this count is reset to zero, and BPE calls the module again.

If the abend limit (ABLIM) value is not zero, and if the number of abends is greater than or equal to the abend limit value, then the user exit has reached its abend limit, and is no longer being called by BPE.

The maximum value that can be displayed in this field is 2147483647 ( $2^{31}-1$ ). If the abend count exceeds this value, 2147483647 is displayed.

**ABLIM** The abend limit count for the user exit type, as specified on the ABLIM= parameter on the EXITDEF statement for the user exit type in the BPE exit list PROCLIB member. This is the number of times the user exit module is allowed to abend before BPE stops calling the user exit. A value of 0 indicates that there is no abend limit.

The maximum value that can be displayed in this field is 2147483647 ( $2^{31}-1$ ). If the abend limit count exceeds this value, 2147483647 is displayed.

**ACTIVE** The number of currently active instances of the user exit. This is a point-in-time number that represents the number of calls to the user exit that have not yet returned.

The maximum value that can be displayed in this field is 999999. If the active count exceeds this value, 999999 is displayed.

**CALLS** The number of calls to the user exit since the last user exit refresh.

For performance reasons, serialization is not obtained when BPE collects this number. For an exit type that can run multiple instances in parallel, this number should be considered an approximation only.

The maximum value that can be displayed in this field is 2147483647 ( $2^{31}-1$ ). If the call count exceeds this value, 2147483647 is displayed.

**ENTRYPT** The entry point address of the user exit module.

**ETIME** The total (cumulative) elapsed time spent in the exit module since it was last refreshed, in milliseconds.

For performance reasons, serialization is not obtained when BPE collects this number. For an exit type that can run multiple instances in parallel, this number should be considered an approximation only.

The maximum value that can be displayed in this field is 2147483647 ( $2^{31}-1$ ). If the elapsed number of milliseconds exceeds this value, 2147483647 is displayed.

<b>LOADPT</b>	The load point address of the user exit module.
<b>OWNER</b>	The IMS component that owns the user exit type. BPE-owned user exit types are system exit types, and exist in all IMS component address spaces that use BPE. User exit types that are specific to the component show the 1- to 4-character component identifier in this column (for example, CQS).
<b>RTIME</b>	The refresh time of the user exit module. This is the local date and time that the user exit module was last refreshed (or initially loaded, if no refreshes have been done). The format of this output field is: <pre>yyyy-mm-dd hh:mm:ss.th</pre>
<b>SIZE</b>	The size of the user exit load module, in bytes (displayed in hexadecimal).
<b>TEXT</b>	27 bytes starting from offset +04 from the module's entry point, translated to EBCDIC, with non-printable characters replaced by periods ( . ). This is a common location for module identification information. If your user exits contain printable identification data at this point in the module, the TEXT option enables that information to be displayed.

If the SHOW parameter is not specified, the default attributes displayed after the EXITTYPE and MODULE are OWNER, ACTIVE, and ABENDS.

The order in which you list the attributes on the SHOW parameter has no effect on the order the attributes are displayed. BPE determines the order of the attribute columns in the display output. This order is as follows:

- OWNER
- ACTIVE
- ABENDS
- ABLIM
- CALLS
- ETIME
- RTIME
- ENTRYPT
- LOADPT
- SIZE
- TEXT

**Important:** It is possible to request so many attributes that the length of the output line is too long to display with a WTO. If this happens, the command is processed, but some lines might be truncated. The maximum line length that BPE displays is 126 characters.

**DISPLAY USEREXIT Command Output:** The DISPLAY USEREXIT command output consists of a header line, one line per user exit module about which information is being displayed, and one message, BPE0032I line indicating the command has completed. For example, the command

```
F CQS1,DISPLAY USEREXIT NAME(INITTERM,STRSTAT)
```

displays the following:

```
BPE0030I EXITTYPE MODULE OWNER ACTIVE ABENDS
BPE0000I INITTERM MYINIT00 CQS 0 0
BPE0000I INITTERM ZZZINIT0 CQS 0 0
BPE0000I STRSTAT MYSTAT00 CQS 1 2
BPE0032I DISPLAY USEREXIT COMMAND COMPLETED
```

The EXITTYPE and MODULE columns are present for all DISPLAY USEREXIT commands, regardless of what is specified on SHOW. When multiple exit modules are listed for a single user exit type, the order in which they are listed is the order in which they are called.

**Command Example 1:** Display the status of the CQS structure event user exit type:

Command:

```
F CQS1,DISPLAY USEREXIT NAME(STREVENT)
```

Output:

```
BPE0030I EXITTYPE MODULE OWNER ACTIVE ABENDS
BPE0000I STREVENT STREXV00 CQS 1 0
BPE0000I STREVENT ZZZSTEV0 CQS 0 0
BPE0032I DISPLAY USEREXIT COMMAND COMPLETED
```

In this example, there are two structure event exit modules defined that are called for CQS structure events. STREXV00 is called first, followed by ZZZSTEV0.

**Command Example 2:** Display the number of calls to, the elapsed time spent in, and the abend limit for all CQS user exit types:

Command:

```
F CQS1,DIS USRX NAME(*) OWNER(CQS) SHOW(CALLS,ETIME,ABLIM)
```

Output:

```
BPE0030I EXITTYPE MODULE ABLIM CALLS ETIME
BPE0000I CLNTCONN CLCONX00 0 2 12
BPE0000I INITTERM MYCQSIT0 0 1 2
BPE0000I INITTERM OEMCQIT0 0 1 162
BPE0000I OVERFLOW OVERFL01 5 3 6
BPE0000I OVERFLOW OVERFL02 5 3 19
BPE0000I OVERFLOW OVERFL03 5 3 9
BPE0000I OVERFLOW OVERFL04 5 3 15593
BPE0000I STREVENT STREVENT0 10 542 628
BPE0000I STRSTAT STRSTAT0 1 36 1889
BPE0000I STRSTAT STRSTA10 1 36 241
BPE0032I DIS USRX COMMAND COMPLETED
```

**Command Example 3:** Display the entry point, load point, and size of all of the SCI CLNTCONN user exit modules.

Command:

```
F SCI,DIS USRX NAME(CLNTCONN) SHOW(SIZE,ENTRYPT,LOADPT)
```

## Output:

```

BPE0030I EXITTYPE MODULE   ENTRYPT  LOADPT    SIZE
BPE0000I CLNTCONN SCCLCN00 8B864D78 8B864D78 00000458
BPE0000I CLNTCONN SCCLCN10 8BA14200 8BA14200 00001C10
BPE0000I CLNTCONN SCCLCN20 8BA18EE8 8BA18AF0 00000AB0
BPE0032I DIS USRX  COMMAND COMPLETED

```

**Command Example 4:** Display the first part of the module text for all of the BPE user exits in the OM address space.

## Command:

```
F OM,DIS USRX NAME(*) OWNER(BPE) SHOW(TEXT)
```

## Output:

```

BPE0030I EXITTYPE MODULE   TEXT
BPE0000I INITTERM MYINIT00 .MYINIT00+20010615+17:47...
BPE0000I STATS     HHGSTAT0 .HHGSTAT0+20010615+08:47...
BPE0032I DIS USRX  COMMAND COMPLETED

```

**Command Example 5:** Display the refresh time for all of the RM INITTERM modules.

## Command:

```
F RM,DIS USRX NAME(*) OWNER(RM) SHOW(RTIME)
```

## Output:

```

BPE0030I EXITTYPE MODULE   RTIME
BPE0000I INITTERM RMINITRM 2001-06-15 16:48:22.39
BPE0032I DIS USRX  COMMAND COMPLETED

```

## Refreshing User Exits

The REFRESH USEREXIT command causes BPE to reprocess the user exit PROCLIB members specified in the BPE configuration PROCLIB member and to reload the user exit modules currently listed in the user exit PROCLIB members for the types specified on the command. This command enables you to make updates to your user exits without stopping and restarting the address space.

When you enter the REFRESH USEREXIT command, BPE performs the following processing:

- Reads any user exit PROCLIB members that are specified on EXITMBR= statements in the BPE configuration proclib member. Because BPE re-reads these members at the time you issue the command, you can edit the user exit PROCLIB members prior to issuing the REFRESH command and make changes to the user exit definitions. BPE does *not* re-read the main BPE configuration proclib member, so you cannot change the names of the user exit PROCLIB members, only their contents.
- Loads the user exit modules specified on the EXITDEF= statements for the user exit types specified on the command.
- Quiesces all current user exits. This means that the command waits for any active exits to complete processing and delays any new calls to the current exits. This ensures that no user exit is running while the exit is being refreshed.
- Replaces pointers to the previous user exit modules with pointers to the newly-loaded modules in internal BPE control blocks, which are used to manage the calling of the exits.
- Resumes the user exits and allows calls to be made to the newly-loaded exits.
- Deletes the old copy of the user exits.



BPE loads the new copies of the user exit modules before deleting the old modules. If an error occurs during this process (for instance, a module could not be loaded or BPE internal control block storage could not be obtained), BPE will fail the command and leave the old copies of the user exits in effect. All modules of the specified user exit type(s) must be loaded successfully for the command to complete successfully.

When a user exit module is refreshed, its abend count is reset to zero. This means that a user exit module that had reached its abend limit (specified by the ABLIM parameter on the EXITDEF statement) and was no longer being called by BPE is again called.

**Important:** If you changed the ABLIM parameter for a user exit in the PROCLIB member, the *new* value of ABLIM takes effect after the refresh command.

**Related Reading:** See *IMS Version 9: Base Primitive Environment Guide and Reference* for more information about the EXITDEF statement.

#### **Considerations for Refreshing User Exits:**

- When you refresh a user exit type, BPE reloads all exit modules defined for that type. The new copies of the modules will be at a different virtual address than the old copies. If your modules are re-entrant, this should not be a problem. However, if your modules are not re-entrant and they store data within themselves, they must be able to tolerate being reloaded and losing the information previously stored within them.

**Recommendation:** Code and link edit all user exit modules as re-entrant to avoid this problem.

- If you refresh a user exit module that had previously been loaded, BPE continues to pass the same static work area that the previous copy of the module had been using. If the new version of the module has a different mapping or use of this area than the previous version, the new version must contain toleration code that can handle the old-style formatted data within this static work area.

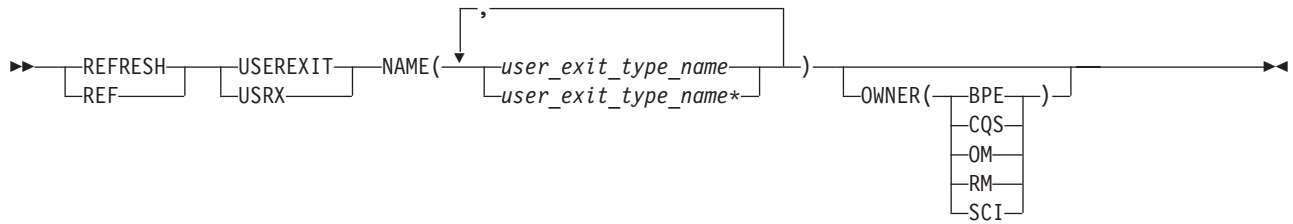
**Recommendation:** Place a version number in the static work area, so that your exits can easily tell when they are using a back-level data structure within this work area.

- If you remove a user exit module from an EXITDEF list and refresh the exits, BPE deletes the static work area associated with that exit module. If you later add the module back to the EXITDEF list and refresh the exits, the module gets a new (cleared) static work area, *not* the work area it had previously.
- If your user exits are being managed by LLA using VLF (or an equivalent product), you must ensure that the copies of the module(s) being refreshed are updated in LLA prior to issuing the REFRESH USEREXIT command. See the *MVS Initialization and Tuning Guide* for information on LLA-managed libraries.
- If you have user exits that issue MVS WAITs for long periods of time (for example, a WAIT for an external event that may be delayed, such as a WTOR), then issuing a REFRESH USEREXIT command could cause a performance problem or work stoppage. This is because BPE has to quiesce the user exits in order to process the REFRESH command. BPE must wait until all currently-called user exits complete before it can perform the user exit refresh. BPE prevents any new calls to user exits until after the command completes. If a user exit has been called and does not return to BPE for a long period of time, the REFRESH command is delayed until the exit returns. No other user exits can be called while BPE is waiting, so the processes that are invoking the user exits are also put into a wait.



**Recommendation:** Ensure that your user exits avoid long WAITS, and avoid issuing services that might WAIT.

**Format of REFRESH USEREXIT Command**



**Usage of REFRESH USEREXIT Command**

**REFRESH | REF**

A required parameter, which specifies that the action against the specified resource(s) is to refresh the resource(s).

**USEREXIT | USRX**

A required parameter, which specifies that the resource type being acted upon is a BPE-managed user exit type.

**NAME( user\_exit\_type\_name )**

A required parameter, which specifies the name of the user exit type or types that you want to refresh. You can specify a single user exit type name or a list of user exit type names separated by commas. User exit type names can contain wildcard characters.

**Related Reading:** For more information about using wildcard characters, see “BPE Wildcard Character Support” on page 816.

**Important:** The names specified in this parameter are the name(s) of user exit types, *not* the names of individual user exit modules.

BPE and each address space that can use BPE have different user exit types. BPE’s user exit types, as specified by OWNER(BPE), include the following:

- INITTERM** Initialization-Termination user exit
- STATS** BPE system functions statistics user exit

User exit types are defined in all CQS address spaces, as specified by OWNER(CQS), and include the following:

- CLNTCONN** Client Connection user exit
- INITTERM** Initialization-Termination user exit
- OVERFLOW** Queue Overflow user exit
- STRSTAT** Structure statistics user exit
- STREVENT** Structure event user exit

User exit types are defined in all OM address spaces, as specified by OWNER(OM), and include the following:

- CLNTCONN** Client Connection command registration and deregistration user exit

<b>INITTERM</b>	Initialization-Termination user exit
<b>INPUT</b>	Command input user exit
<b>OUTPUT</b>	Output user exit
<b>SECURITY</b>	Security checking user exit

User exit types are defined in all RM address spaces, as specified by OWNER(RM), and include the following:

<b>CLNTCONN</b>	Client Connection and Disconnection user exit
<b>INITTERM</b>	Initialization-Termination user exit

User exit types are defined in all SCI address spaces, as specified by OWNER(SCI), and include the following:

<b>CLNTCONN</b>	Client Connection and Disconnection user exit
<b>INITTERM</b>	Initialization-Termination user exit

#### **Related Reading:**

- See *IMS Version 9: Base Primitive Environment Guide and Reference* for more information about the BPE user exit routine types.
- See *IMS Version 9: Common Queue Server Guide and Reference* for more information about the CQS user exit routine types.
- See *IMS Version 9: Common Service Layer Guide and Reference* for more information about the OM, RM, and SCI user exit routine types.

#### **OWNER(BPE | CQS | OM | RM | SCI)**

An optional parameter that specifies the owner of the user exit type or types that you want to refresh. You can specify one of the following values:

<b>BPE</b>	For all IMS components that are running in a BPE address space.
<b>CQS</b>	For CQS address spaces only.
<b>OM</b>	For OM address spaces only.
<b>RM</b>	For RM address spaces only.
<b>SCI</b>	For SCI address spaces only.

The OWNER parameter acts as a filter to help you select the user exit types that you want to refresh. For example, you could specify NAME(\*) OWNER(CQS) to refresh all of the CQS-defined user exit types in a CQS address space. If OWNER is omitted, then both BPE and component user exits can be refreshed (depending on the exits specified on NAME).

**REFRESH USEREXIT Command Output:** The REFRESH USEREXIT command output consists of message, BPE0032I indicating that the command has completed:

```
BPE0032I REFRESH USEREXIT COMMAND COMPLETED
```

**Command Example 1:** Refresh all user exit modules.

Command:

```
F CQS1,REFRESH USEREXIT NAME(*)
```

Output:

```
BPE0032I REFRESH USEREXIT COMMAND COMPLETED
```

**Command Example 2:** Refresh all user exit modules for the OM command input and output exit types.

Command:

```
F OM,REF USRX NAME(INPUT,OUTPUT)
```

Output:

```
BPE0032I REF USRX COMMAND COMPLETED
```



---

## **Part 6. Appendixes**



## Appendix A. DBCTL Commands

Table 191 is a list of commands and keywords valid in the Database Control (DBCTL) environment. All commands and keywords are valid in a DB/DC environment.

Table 191. Commands and Keywords Valid in DBCTL

Commands	Keywords	Page or Topic
/CHANGE	ABORT, AUTOLOGON, CCTL, COMMIT, FDR, OASN, PASSWORD, PRKTN, RESET, SUBSYS, TIMEOUT	123
/CHECKPOINT	ABDUMP, FREEZE, PURGE, STATISTICS	139
/DBDUMP	DATABASE, GLOBAL, LOCAL, NOFEOV, NOPFA	159
/DBRECOVERY	AREA, DATABASE, DATAGROUP, GLOBAL, LOCAL, NOFEOV, NOPFA	163
/DELETE	DATABASE, PASSWORD, PROGRAM	171
DELETE LE	LTERM, PGM, TRAN, USERID	175
/DEQUEUE	AOITOKEN	183
/DISPLAY	ACTIVE, AOITOKEN, AREA, BKERR, CCTL, DATABASE, DBD, FDR, FPVIRTUAL, HSSP, INDOUBT, MADSIOT, MODIFY, MONITOR, OASN, OLDS, OSAMGTF, PI, POOL, PROGRAM, PSB, RECOVERY, REGION, SHUTDOWN, STATUS, SUBSYS, TABLE, TCO, TRACE, TRACKING STATUS, XTRC	195
/ERESTART	CHECKPOINT, COLDBASE, COLDSYS, FORMAT, NOBMP, OVERRIDE	353
INITIATE OLC	OPTION, PHASE, TYPE	385
/LOCK	DATABASE, PROGRAM	381
/LOG		413
/MODIFY	ABORT, COMMIT, PASSWORD, PREPARE	417
/NRESTART	CHECKPOINT, FORMAT	435
/PSTOP	AOITOKEN, JOBNAME, REGION	453
QUERY LE	LTERM, PGM, SHOW, TRAN, USERID	468
QUERY MEMBER	ALL, ATTRIB, SHOW, STATUS, TYPE	468
QUERY OLC	LIBRARY, SHOW	468
/RECOVER	ALLENTRIES, AREA, CAGROUP, DATAGROUP, DB, DBDS, DBDSGRP, ERRORCONT, NOCHECK, OFFLINE, PITR, RCVTIME, RCVTOKEN, READNUM, RECOVGRP, STAGLOBAL, STALOCAL, USEAREA, USEDDBDS	545
/RMxxxxxx		565
/RTAKEOVER		579
/SSR		599

Table 191. Commands and Keywords Valid in DBCTL (continued)

Commands	Keywords	Page or Topic
/START	ACCESS, AREA, AUTOARCH, DATABASE, DATAGROUP, DBALLOC, GLOBAL, ISOLOG, JOBNAME, LOCAL, MADSIOT, NOBACKOUT, NODBALLOC, OLDS, PROGRAM, REGION, SB, SERVGRP, SSM, SUBSYS, THREAD, TRKAUTOARCH, WADS	601
/STOP	ABDUMP, ADS, AREA, AUTOARCH, CANCEL, DATABASE, DATAGROUP, GLOBAL, JOBNAME, LOCAL, NOPFA, OLDS, PROGRAM, REGION, SB, SERVGRP, SUBSYS, THREAD, WADS	629
/SWITCH	CHECKPOINT, OLDS, WADS	657
TERMINATE OLC		661
/TRACE	COMP, MONITOR, NOCOMP, OPTION, OSAMGTF, PI, PROGRAM, PSB, SET, TABLE, TCO, VOLUME	677
/UNLOCK	DATABASE, PROGRAM	699
UPDATE LE	LTERM, PGM, SET, TRAN, USERID	707
/UNLOAD		751



## Appendix B. DCCTL Commands

Table 192 is a list of commands and keywords valid in a Data Communications Control (DCCTL) environment. All commands and keywords are valid in a DB/DC environment.

Table 192. Commands and Keywords Valid in DCCTL

Commands	Keywords	Page or Topic
/ACTIVATE	LINK, NODE	95
/ALLOCATE	LUNAME, MODE, TPNAME	97
/ASSIGN	CLASS, COMPONENT, CPRI, ICOMPONENT, INPUT, LINE, LMCT, LPRI, LTERM, NODE, NOSAVE, NPRI, OUTPUT, PARLIM, PLMCT, PTERM, REGION, SAVE, SEGNO, SEGSIZE, TRANSACTION, USER, VTAMPOOL	99
/BROADCAST	ACTIVE, LINE, LTERM, MSNAME, NODE, PTERM, SYSID, USER	115
/CANCEL		121
/CHANGE	APPC, ASR, COLDSESS, CPLOG, CCTL, DESCRIPTOR, DIRECTORY, FORCSESS, ID, INTERVAL, LINK, LOGOND, LUNAME, MAXRGN, MODE, NODE, NOSAVE, OASN, PASSWORD, RESET, SAVE, SIDE, SUBSYS, SURVEILLANCE, SYNCLEVEL, SYNCSESS, TIMEOUT, TPNAME, TRANSACTION, TYPE, UOR, USER	123
/CHECKPOINT	ABDUMP, DUMPQ, FREEZE, LEAVEGR, PURGE, QUIESCE, SNAPQ, STATISTICS	139
/CLSDST	FORCE, NODE, USER	145
/COMPT	CNS, CRD, NODE, NOTRDY, PCH, PDS, PRT, RDR, READY, TDS, UDS, USER, VID, WPM1, WPM2, WPM3	149
/CQCHKPT	SHAREDQ, STRUCTURE, SYSTEM	153
/CQQUERY	STATISTICS, STRUCTURE	155
/CQSET	SHAREDQ, SHUTDOWN, STRUCTURE	157
/DELETE	LINE, LTERM, NODE, PASSWORD, PROGRAM, PTERM, TERMINAL, TRANSACTION	171
DELETE LE	LTERM, PGM, TRAN, USERID	175
/DEQUEUE	AOITOKEN, LINE, LTERM, LUNAME, MSNAME, NODE, PTERM, PURGE, PURGE1, SUSPEND, TMEMBER, TPIPE, TPNAME, TRANSACTION, USER	183

Table 192. Commands and Keywords Valid in DCCTL (continued)

Commands	Keywords	Page or Topic
/DISPLAY	ACTIVE, AFFINITY, AOITOKEN, APPC, ASSIGNMENT, AUTOLOGON, BALGRP, CLASS, CONVERSATION, CPLOG, CQS, DC, DESCRIPTOR, EMHQ, HSB, INPUT, LINE, LINK, LTERM, LUNAME, MODE, MODIFY, MONITOR, MSGAGE, MSNAME, MSPLINK, NODE, OASN, OLDS, OTMA, OUTPUT, OVERFLOWQ, POOL, PRIORITY, PROGRAM, PSB, PTERM, Q, QCNT, REGION, REMOTE, RTCODE, SHUTDOWN, STATUS, STRUCTURE, SUBSYS, SYSID, TABLE, TCO, TIMEOUT, TIMEOVER, TMEMBER, TPIPE, TPNAME, TRACE, TRACKING STATUS, TRANSACTION, TRAP, UOR, USER, XTRC	195
/END	LINE, NODE, PTERM, USER	351
/ERESTART	BACKUP, BUILDQ, CHECKPOINT, CMDAUTH, CMDAUTHE, COLDCOMM, COLDSYS, FORMAT, MULTSIGN, NOBMP, NOCMDAUTH, NOCMDAUTHE, NOPASSWORD, NOTERMINAL, NOTRANAUTH, NOTRANCMDS, NOUSER, OVERRIDE, PASSWORD, SNGLSIGN, TERMINAL, TRANAUTH, TRANCMDS, USER	353
/EXCLUSIVE	LINE, NODE, PTERM, USER	365
/EXIT	CONVERSATION, LINE, NODE, PTERM, USER	367
/FORMAT	LTERM	371
/HOLD		373
/IAM	DONE, LTERM, PTERM	375
/IDLE	LINE, LINK, NODE, NOSHUT	377
INITIATE OLC	OPTION, PHASE, TYPE	385
/LOCK	LTERM, NODE, PROGRAM, PTERM, TRANSACTION	381
/LOG		413
/LOOPTEST	LINE, PTERM	415
/MODIFY	ABORT, COMMIT, LTERM, PASSWORD, PREPARE, TERMINAL, TRANCMDS	417
/MONITOR	LINE, PTERM	425
/MSASSIGN	LINK, LOCAL, MSNAME, MSPLINK, SYSID, TRANSACTION	427
/MSVERIFY	MSNAME, SYSID	431
/NRESTART	BUILDQ, CHECKPOINT, CMDAUTH, CMDAUTHE, FORMAT, MULTSIGN, NOBUILDQ, NOCMDAUTH, NOCMDAUTHE, NOPASSWORD, NOTERMINAL, NOTRANAUTH, NOTRANCMDS, NOUSER, PASSWORD, SNGLSIGN, TERMINAL, TRANAUTH, TRANCMDS, USER	435
/OPNDST	ID, LOGOND, MODE, NODE, Q, UDATA, USER, USERD	447
/PSTOP	AOITOKEN, CLASS, FORCE, JOBNAME, LINE, LINK, LTERM, MSPLINK, PTERM, PURGE, REGION, TRANSACTION	453

Table 192. Commands and Keywords Valid in DCCTL (continued)

Commands	Keywords	Page or Topic
/PURGE	APPC, CLASS, FPPROG, FPREGION, LINE, LTERM, MSNAME, PTERM, TRANSACTION	461
QUERY LE	LTERM, PGM, SHOW, TRAN, USERID	468
QUERY MEMBER	ALL, ATTRIB, SHOW, STATUS, TYPE	468
QUERY OLC	LIBRARY, SHOW	468
QUERY TRAN	CLASS, NAME, QCNT, SHOW, STATUS	468
/QUIESCE	NODE, USER	537
/RCLSDST		539
/RCOMPT	CNS, NOTRDY, PCH, PDS, PRT, RDR, READY, TDS, UDS, VID	541
/RDISPLAY		543
/RELEASE	CONVERSATION	561
/RESET		563
/RMxxxxxx	LTERM	565
/RSTART	CONTINUOUS, LINE, LINK, LOPEN, MODE, MSPLINK, NODE, PTERM, USER	573
/RTAKEOVER	FREEZE, DUMPQ, NOVERSE, UNPLAN	579
/SECURE	APPC, OTMA	583
/SET	CONVERSATION, LTERM, TRANSACTION	587
/SIGN		591
/SMCOPY	MASTER, TERMINAL	597
/SSR		599
/START	APPC, AUTOARCH, CLASS, DC, GRSNAME, INPUT, ISOLOG, JOBNAME, LINE, LTERM, LUNAME, MSNAME, NODE, OLDS, OTMA, OUTPUT, PROGRAM, PTERM, REGION, RTCODE, SERVGRP, SSM, SUBSYS, SURVEILLANCE, TMEMBER, TPIPE, TPNAME, TRANSACTION, TRKAUTOARCH, USER, VGRS, WADS	601
/STOP	ABDUMP, APPC, AUTOARCH, BACKUP, CANCEL, CLASS, DC, INPUT, JOBNAME, LINE, LTERM, LUNAME, MSNAME, NODE, OLDS, OTMA, OUTPUT, PROGRAM, PTERM, REGION, RTCODE, SERVGRP, SUBSYS, SURVEILLANCE, TMEMBER, TPIPE, TPNAME, TRANSACTION, USER, VGRS, WADS	629
/SWITCH	ABDUMP, ACTIVE, BACKUP, CHECKPOINT, FORCE, OLDS, SYSTEM, WADS	657
TERMINATE OLC		661
/TEST	LINE, NODE, PTERM, USER	673
/TRACE	AUTO, EXIT, INPUT, LEVEL, LINE, LINK, LUNAME, MODULE, MONITOR, MSG, NODE, OPTION, OUTPUT, PROGRAM, SET, TABLE, TAKEOVER, TCO, TIMEOUT, TMEMBER, TPIPE, TPNAME, TRANSACTION, TRAP, UNITYPE, USER, VOLUME	677

Table 192. Commands and Keywords Valid in DCCTL (continued)

Commands	Keywords	Page or Topic
/UNLOCK	LTERM, NODE, PROGRAM, PTERM, SYSTEM, TRANSACTION	699
UPDATE LE	LTERM, PGM, SET, TRAN, USERID	707
UPDATE TRAN	CLASS, CPRI, LCT, LPRI, MAXRGN, NAME, NPRI, PARLIM, PLCT, SCOPE, SEGNO, SEGSZ, SET, START, STOP	707

## Appendix C. List of Reserved Words

Table 193 is a list of words that cannot be used to name resources such as transactions or databases. The words listed below are used and reserved only for IMS commands.

Table 193. Words Used and Reserved Only for IMS Commands

A	ABDUMP	ABORT	ACCESS
ACT	ACTIV	ACTIVATE	ACTIVE
ADDS	ADS	AFF	AFFIN
AFFINITY	AFTER	AOITKN	APDB
APMQ	AOITOKEN	ALL	ALLENTRIES
ALLENT	ALLOC	ALLOCATE	ALLOCF
ALLOCS	APPC	ARCHIVE	AREA
ASMT	ASR	ASSIGN	ASSIGNMENT
AUTO	AUTOARC	AUTOARCH	AUTOLOGON
AUTOLGN	AUTOSR	BACKOUT	BACKUP
BALG	BALGRP	BKERR	BLDQ
BLDQS	BROADCAST	BU	BUILDQ
BUILDQS	C1INOP	C2INOP	C3INOP
C4INOP	CAGROUP	CAGRP	CANCEL
CC	CCTL	CHANGE	CHECKPOINT
CHECKPT	CHKPOINT	CHKPT	CHNGS
CLASS	CLS	CLSDST	CMDAUTH
CMDAUTHE	CNS	COLDB	COLDBASE
COLDC	COLDCOMM	COLDS	COLDSSESS
COLDSYS	COMMIT	COMP	COMPINOP
COMPONENT	COMPT	CON	CONT
CONTINUOUS	CONV	CONVACT	CONVERSATION
CONVHLD	CPRI	CQCHKPT	CQQUERY
CPLOG	CQC	CQQ	CQS
CQSET	CRD	DATABASE	DATABASES
DATAGROUP	DATAGRP	DB	DBALLOC
DBD	DBDS	DBDSGRP	DBDUMP
DBR	DBRECOVERY	DBS	DC
DEACT	DEADQ	DELETE	DELS
DEQUEUE	DESC	DESCRIPTOR	DL/I
DLOG	DIS	DISP	DISPLAY
DIR	DIRECTORY	DMS	DONE
DUMPQ	DUMPQS	EEQE	EMHQ
END	ERESTART	ERRORCONT	EXCL
EXCLUSIVE	EXIT	EXTRACE	FAST
FDR	FIRST	FMS	FMT
FOR	FORC	FORCE	FORCES
FORCSESS	FORMAT	FPPROG	FPREGION
FPRGN	FPV	FPVIRTUAL	FREEZE
GLOBAL	GRS	GRSN	GRSNAME
HOLD	HOTSTANDBY	HSB	HSSP
IAM	IC	ICOMPONENT	ICOMPT
ID	IDCO	IDLE	IND
INDOUBT	INOP	INPUT	INQONLY
INT	INTERVAL	INTV	IOVF
ISOLOG	JBN	JOB	JOBNAME
KEY	LA	LATC	LCT
LEAVEGR	LEVEL	LGND	LINE

Table 193. Words Used and Reserved Only for IMS Commands (continued)

LINES	LINK	LMCT	LOC
LOCAL	LOCK	LOG	LOGOND
LOOPTEST	LOPEN	LOST	LPRI
LRTT	LTERM	LTERMS	LU
LUMI	LUN	LUNAME	MADSIOT
MASTER	MAXRGN	MESSAGE	MFST
MFSTEST	MODE	MODETABLE	MODETBL
MODIFY	MODS	MODULE	MON
MONITOR	MSASSIGN	MSDB	MSDBLOAD
MSG	MSGAGE	MSGREG	MSGREGION
MSGREGIONS	MSGREGS	MSNAME	MSPLINK
MSVERIFY	MULTSIGN	NBLDQ	NOBACKOUT
NOBKO	NOBLDQ	NOBMP	NOBUILDQ
NOCHECK	NOCMDAUTH	NOCMDAUTHE	NOCOMP
NODBALLOC	NODE	NOFEOV	NOIN
NONE	NOOUT	NOPASSWORD	NOPFA
NOPSWD	NOQUEUE	NOREVERSE	NOS
NOSAVE	NOSHUT	NOTER	NOTERM
NOTERMINAL	NOTINIT	NOTOPEN	NOTRANAUTH
NOTRANCMDS	NOTRDY	NOUSER	NPRI
NRESTART	OASN	OFF	OFFLINE
3 OFR	OLDS	OLREORG	ON
OPNDST	OPTION	OSAMGTF	OTMA
OTMT	OUTPUT	OVER	OVERFLOWQ
OVERRIDE	OVFLWQ	PAGE	PARLIM
PASSWORD	PASSWORDS	PCH	PDS
PGM	PGMS	PI	PITR
PLCT	PLMCT	POOL	PREL
PREO	PREPARE	PRI	PRIMARY
PRIORITY	PRK	PROG	PROGRAM
PROGRAMS	PROGS	PRST	PRT
PRTKN	PRTY	PSB	PSS
PSTOP	PSTOPPED	PSWD	PSWDS
PTERM	PTERMS	PUR	PURGE
PURGE1	Q	QCNT	QMGR
QRTT	QS	QUEUE	QUEUES
QUI	QUIESCE	RCLSDST	RCOMPT
RCS	RCVTIME	RCVTOKEN	RDISPLAY
RDR	READNUM	READY	RECOVERY
RECOVGRP	REG	REGION	REGIONS
REGS	RELEASE	RELREQ	REMOTE
REMOVE	RESET	RESP	RESPINP
RESYNC	RETR	RMCHANGE	RMDELETE
RMGENJCL	RMINIT	RMLIST	RMNOTIFY
RSTART	RTAKEOVER	RTC	RTCODE
SAVE	SB	SCHD	SEC
SECURE	SECURITY	SEGNO	SEGSIZE
SEGSZ	SERVGRP	SET	SG
SHAREDQ	SHRQ	SHUT	SHUTDOWN
SIDE	SIGN	SIMLOGON	SINGLE
SMCOPY	SNAPQ	SNGL	SNGLSIGN
SQTT	SSM	SSR	STAGLOBAL
STALOCAL	STA	START	STATIC
STATISTICS	STATUS	STO	STOP
STOPPED	STRG	STRUC	STRUCTURE

Table 193. Words Used and Reserved Only for IMS Commands (continued)

SUB	SUBS	SUBPOOL	SUBSYS
SUBSYSTEMEMBER	SUBSYSTEM	SUBSYSTEMS	SUR
SURV	SURVEIL	SURVEILLANCE	SUSPEND
SWITCH	SYNC	SYNCLEVEL	SYNCLV
SYNCSESS	SYSID	SYSTEM	TABLE
TAKEOVER	TCO	TDS	TER
TERM	TERMINAL	TERMINALS	TERMINATE
TERMS	TERS	TEST	THREAD
TIMEOUT	TIMEOVER	TIMO	TKO
TKOTRA	TKOVR	TMEM	TMEMBER
TO	TP	TPI	TPIPE
TPN	TPNAME	TRA	TRACE
TRACKING	TRACKING STATUS	TRAN	TRANAUTH
TRANCMD5	TRANCODE	TRANCODES	TRANS
TRANSACTION	TRANSACTIONS	TRAP	TRKARCH
TRKAUTOARCH	TRS	TYPE	UDATA
UDS	UNITYPE	UNL	UNLOCK
UNPLAN	UOR	USEDDBDS	USER
USERD	USRD	VERIFY	VGR
VGRS	VID	VIR	VOLUME
VPL	VTAMPOOL	VUNLOAD	WADS
WPM1	WPM2	WPM3	XKEY
XTRC	XTRACE		





## Appendix D. Shared Secondary Index Database Commands

The original advantage of a shared index database was that it saved a significant amount of main storage for buffers and some control blocks. However, when VSAM was enhanced with shared resources, the savings in storage became less significant. Now the possible disadvantages of using shared index databases generally outweigh the small amount of space they save.

Commands sometimes operate differently depending on whether they are issued for the first of the secondary indexes or for subsequent secondary indexes. The first secondary index is the first database name specified in the DBDUMP statement of the shared secondary index DBDGEN. This first database is the **real** database. Other secondary index databases are physically part of the **real** database but they are logically distinct.

The first column in the table below lists the issuing command, the second column lists where the command is issued, the third column lists the affects of the command that was issued, and the fourth column provides additional comments.

Issuing the Commands...	On the...	Affects...	Comments
/STOP /LOCK	First secondary index	Only the named database	<p>If no applications are scheduled on any shared secondary indexes that cause the authorization of the <b>real</b> database by DBRC, the commands have the same effect as the /DBRECOVERY command on the first secondary index.</p> <p>When a /DISPLAY command is issued on the shared secondary index database, the subsequent secondary indexes are shown as stopped or locked only if the /STOP, /LOCK, or /DBRECOVERY command was issued.</p> <p>To undo the /STOP or /LOCK command, issue a /START or /UNLOCK command on the first secondary index.</p>
/STOP /LOCK	Subsequent secondary indexes	Only the named database	To undo the /STOP or /LOCK command, issue a /START or /UNLOCK command on the named database.
/DBDUMP	First secondary index	All databases sharing the secondary index data set	<p>The /DBDUMP command quiescs activity on all the indexes in the shared database. The database is then closed and reopened for input only.</p> <p>To undo the /DBDUMP command, issue a /START command on the first secondary index.</p>
/DBDUMP	Subsequent secondary indexes	Only the named database	<p>The secondary index is available for read only.</p> <p>To undo the /DBDUMP command, issue a /START command on the named database.</p>

Issuing the Commands...	On the...	Affects...	Comments
/DBRECOVERY	First secondary index	All databases sharing the secondary index data set	<p>The /DBRECOVERY command quiesces activity on all the indexes in the shared database. The database is then closed and stopped.</p> <p>When the DISPLAY command is issued on the shared secondary index database, the subsequent secondary indexes are shown as stopped or locked only if the /STOP, /LOCK, or /DBRECOVERY command was issued.</p> <p>To undo the /DBRECOVERY command, issue a /START command on the first secondary index.</p>
/DBRECOVERY	Subsequent secondary indexes	Only the named database	<p>This command is the same as the /STOP command for the named database. However, the /DBRECOVERY command works immediately, but the /STOP command allows current work to quiesce.</p> <p>To undo the /DBRECOVERY command, issue a /START command on the named database.</p>

---

## Appendix E. Commands with the NODE USER Keyword Combination

Many commands using the NODE USER keyword combination can be used with dynamic terminals as well as with non-ISC nodes. Using the NODE USER combination from a dynamic terminal ensures that the command is valid only if the USER is still signed on to the NODE. Commands with the NODE USER keyword pair are valid only if:

- The USER is signed on to the NODE
- In an ISC environment, the USER is allocated to the NODE

Commands with the NODE USER keyword pair are only valid for existing nodes and users. No temporary control blocks are created to retain status data.

The following commands are valid for ISC and non-ISC nodes and users:

- /CHANGE NODE p1 USER p2,...pn/all (ASR ON/OFF)/MODETABLE(modname)
- /CLSDST NODE p1 USER p2...pn/all
- /COMPT (1/2/3/4) NODE p1 USER p2 (READY/NOTRDY)
- /DEQUEUE NODE p1 USER p2 (LTERM p3)
- /DISPLAY ASMT NODE p1 USER p2 (LTERM p3)
- /DISPLAY NODE p1 USER p2,...pn/all
- /END NODE p1 USER p2
- /OPNDST NODE p1 USER p2...
- /STOP NODE p1 USER p2,...pn/all
- /TRACE NODE p1 USER p2,...pn/all

The following commands are valid for ISC nodes only:

- /CHANGE NODE p1 USER p2,...pn/all (FORCSESS/SYNCSESS)
- /QUIESCE NODE p1 USER p2,...pn/all

The following commands are valid for ISC, LUP, and 3600 nodes only:

- /DEQUEUE NODE p1 USER p2 PURGE/LTERM p3 PURGE1
- /EXIT (CONV) NODE p2 USER p3
- /RSTART NODE p1 USER p2,...pn/all
- /START NODE p1 USER p2,...pn/all
- /TEST (MFS) NODE p1 USER p2,...pn/all



## Appendix F. Commands That Are Valid in ETO

Table 194 is a list of the commands that are valid for lterms, nodes, and users in ETO.

Table 194. Commands Valid in ETO

Commands	Dynamic Lterms That Are Valid	Dynamic Nodes That Are Valid	Dynamic Users That Are Valid
/ACTIVATE		X	
/ASSIGN	X <sup>1</sup>		X <sup>2</sup>
/BROADCAST	X	X	X
/CHANGE		X	X
/CLSDST		X	X
/COMPT		X	X
/DEQUEUE	X	X	X
/DISPLAY	X	X	X
/END			X
/EXCLUSIVE			X
/EXIT		X	X
/FORMAT	X		
/IDLE		X	
/LOCK	X	X	
/MODIFY	X		
/OPNDST		X	
/PSTOP	X		
/PURGE	X		
/QUIESCE		X	X
/RMxxxxxx	X		
/RSTART		X	X
/SET	X		
/SIGN			X
/START	X	X	X
/STOP	X	X	X
/TEST			X
/TRACE		X	
/UNLOCK	X	X	

**Notes:**

1. Only valid for /ASSIGN LTERM USER.
2. Only valid for /ASSIGN USER.



## Appendix G. Status and Attributes for the /DISPLAY Command

A list of the attributes and status shown in the /DISPLAY command are shown in Table 195

Table 195. Attributes and Status in the /DISPLAY Command

Status or Attribute	Meaning
	Indicates no status for the resource.
ACCEPT TRAFFIC	Indicates the OTMA client is ready.
ACT MODETBL	Indicates mode table name actually used to initiate mode.
ACTIV	Indicates this node is in an XRF session, on the active system.
ACTIVE, A	Indicates conversation in progress. For /DISPLAY MODIFY, indicates that the routing code (RTCODE) named is active or that the library is active. Indicates the IMS subsystem is the active subsystem. Indicates the current XRF surveillance mechanism is active. Indicates the OTMA client is in an active XCF group. Indicates the secondary master terminal is active.
ACTIVE-DBCMD	Indicates an /DBD or /DBR command is in progress and waiting for the region to terminate before the /DBD or /DBR can complete.
ACTV	Indicates, for a logical link, that link startup processing is complete and the line is available for message transfer.
ALLOC	Indicates that an ISC user is allocated. The node name to which the user is allocated or signed on follows in parenthesis.
ALLOCATION IN PROGRESS	Indicates a conversation is in the process of being allocated.
ALLOCF	Indicates that database allocation failed.
ALLOCS	Indicates that database allocation was successful.
AREA	The subset of a DEDB.
AUTOSR	Indicates a session initiation option of ASR.
AVAILABLE	Indicates the OLDS can be reused. Indicates a region is available to schedule an application. Indicates a coupling facility structure is available for use by IMS.
AWAITING RESPONSE	Indicates an active terminal is waiting for a response.
AWAITING SNAPQ	Indicates the alternate subsystem is waiting for /CHE SNAPQ from the active subsystem.
BACKOUT	Indicates the OLDS is potentially required for backout or, in the case of a database, there are incomplete backouts preventing the use of the database.
BACKUP	Indicates the IMS subsystem is the alternate subsystem.
BAL	Identifies a transaction eligible for load balancing (for example, with parallel limits specified). The current maximum number of regions that can be simultaneously scheduled to process the transaction follows in parentheses.
BCKUP	Indicates this node is in an XRF session, on the alternate system.

Table 195. Attributes and Status in the /DISPLAY Command (continued)

Status or Attribute	Meaning
C1INOP, C2INOP, C3INOP, C4INOP	Indicates the inoperable node or terminal component, where C1, C2, C3, and C4 refer to different components as defined by system definition. (Refer to the /COMPT and /RCOMPT commands for details on how to ready inoperable components.)
CANCEL	Indicates an APPC connection was stopped by the /STOP APPC CANCEL command.
CHECK	Indicates the OTMA client is using RACF for security verification.
CLSER	Indicates an error has occurred when closing the OLDS.
CLSDST	Indicates that a /CLSDST or /STOP command has been entered for a VTAM node but has not yet taken effect. This condition can occur because of an outstanding input or output operation that has not completed. The VTAM network operator can issue an z/OS VARY command to clear the condition.
COLD	Indicates, for a logical link, that link startup processing is not complete.
COMPINOP	Indicates an inoperable terminal component. For 3270 terminals, this is an indication the either the display or the printer is not ready.
CON	Indicates that a node is connected, or in session, with IMS.
CONN	Subsystem connection.
CONN, ACTIVE	Indicates an application program has established communication with a subsystem.
CONNECTED	Indicates IMS is connected to a coupling facility structure.
CONN IN PROGRESS	Subsystem connection in progress.
CONVACT, CONV-ACT	Indicates an active conversation on this terminal, node, or user.
CONVERSATION TERM/USER	Indicates for /DISPLAY MODIFY that the transaction to be changed or deleted or the transaction referencing a program or database to be changed or deleted is in conversation. The terminal originating the conversational transaction and the conversation ID are also displayed.  The terminal displayed is: <ul style="list-style-type: none"> <li>• <b>nodename</b> for VTAM terminals</li> <li>• <b>nodename</b> and <b>username</b> if an ETO user is signed on to the node</li> <li>• <b>username</b> for ETO users who signed off while in conversation</li> <li>• <b>lin#-pte#</b> (line and pterm number) for BTAM terminals</li> <li>• <b>1- SC</b> for the system console</li> </ul>
CONVHLD, CONV-HLD	Indicates a held conversation on this terminal, node, or user.
COPY-PHASE	Indicates the CREATE utility is currently in COPY-PHASE for an ADS.
CREATED	Indicates the XCF group has been created, but the OTMA client has not yet connected to it.
DB-STOPD	Indicates a database used by this program is stopped.



Table 195. Attributes and Status in the /DISPLAY Command (continued)

Status or Attribute	Meaning
/DBD ACTIVE	A /DBDUMP command is in progress for a database to be changed or deleted.
/DBR ACTIVE	A /DBRECOVERY command is in progress for a database to be changed or deleted.
DEACT (DEACTIVATED)	Indicates a physical terminal/node or line has been permanently deactivated. Restart of BTAM node requires /STOP DC and /START DC commands. Message DFS2473 in the system console log might contain information regarding the reason this status was set. DFS2473 can occur more than once in the system console log.
DEADQ	Indicates a user with dead letter queues or whose last access time was outside the limit set by the DLQT JCL parameter. The DEADQ status can be removed by signing on the user or entering the /DEQUEUE or /ASSIGN command. For a further description and methods to reset the DEADQ status, refer to <i>IMS Version 9: Administration Guide: Transaction Manager</i> .
DEALLOCATION IN PROGRESS	Indicates a conversation is in the process of being deallocated.
DEQCT	Number of local message dequeues since the last IMS cold start or, in a shared-queue environment, since the last IMS restart. DEQCT is reset to zero when ENQCT reaches 32768. A DEQCT count can equal the sum of the DEQCTs of multiple destinations (logical terminals or transactions).
DISABLED	Indicates APPC/IMS is not known to APPC/z/OS.
DISCONNECTED	Indicates a node is not in session. Indicates the OTMA client has disconnected from the XCF group. Indicates IMS is not connected to a coupling facility structure.
DQF	Indicates a dequeue request for OTMA REPresynch command failed.
DYNAMIC	A transaction was built in a shared-queues environment to allow transaction messages to be enqueued, but the transaction cannot run on the current IMS subsystem.
EEQE	Extended error queue element, indicates that one or more error queue elements are associated with the database.
ENABLED	Indicates APPC is started.
ENQCT	Number of local message enqueues since the last IMS cold start, or in a shared-queue environment, since the last IMS restart. ENQCT is reset to the number of messages on queue (QCT) when the counter reaches 32768 (QCT = ENQCT – DEQCT). The ENQCT can exceed 32768 if the DEQCT remains zero. The ENQCT will be reset to zero if the counter exceeds 65535. An ENQCT count can equal the sum of the ENQCTs of multiple destinations (logical terminals or transactions).
ERE	Indicates, for a logical link, that link startup processing is not complete. When the link is started, emergency restart synchronization will be performed, because the previous link shutdown was either not normal or an IMS emergency restart was performed.
EXCL	Indicates a node, terminal, or user is in exclusive mode.

Table 195. Attributes and Status in the /DISPLAY Command (continued)

Status or Attribute	Meaning
FAILED	Indicates APPC failed to start. Indicates OTMA failed to start or that the XCF group failed initialization.
FILLING	Indicates a log gap is currently being filled.
FORCE, FORCES	Indicates a session initiation option of FORCE.
FORMAT-PHASE	Indicates the CREATE utility is currently in FORMAT-PHASE for an ADS.
FULL	Indicates the OTMA client is using RACF for security verification, including for dependent regions.
GLOBAL QUEUE COUNT INTERNAL ERROR, GLOBAL QUEUE COUNT STORAGE ERROR	Indicates IMS is unable to access global queue counts or obtain storage to query the queue counts.
IC	Indicates image copy is in progress for that area or database by an HSSP region.
IDENTIFICATION IN PROGRESS	Indicates that an the IMS logger is in the process of identifying to the Transport Manager Subsystem but has not yet completed.
IDENTIFIED	Indicates that an IMS logger has identified to the Transport Manager Subsystem.
IDLE	Indicates that no activity of any kind is in progress for a line, node, or logical link. This is a common condition for VTAM node channel-to-channel links, and processor storage-to-processor storage links.
INACTIVE, I	Indicates the current XRF surveillance mechanism is inactive. For /DISPLAY MODIFY, indicates the library is inactive. The RSR tracking subsystem is idle.
INOP	Indicates a terminal or node is inoperable.
IN-OVERFLOW	Indicates a coupling facility structure is in overflow mode.
INPUT IN PROGRESS	Indicates input in progress for an active terminal.
INQONLY	Indicates a /DBDUMP command was issued for the database.
IN SLOWDOWN	Indicates the OTMA client is experiencing a slowdown due to excessive message traffic or resource constraints.
INUSE, IN USE	Indicates that queuing is in process for this transaction. (either terminal input or program-to-program switch). Also indicates this is the OLDS currently being used.
INVALID SUBSYSTEM NAME = XXXX	Indicates that a subsystem name was not defined to IMS.
I/O PREVEN, I/O PREVENT, I/O PREV	Indicates a BMP program containing GSAM cannot complete scheduling because I/O prevention has not completed. Indicates further I/O requests to data sets are inhibited.
I/O TOLERATION	Takeover process by which an alternate IMS subsystem ensures database integrity and enables new transaction processing as soon as possible.
LOCK	Indicates a node, terminal, transaction, program, or database is locked.
LOOPTEST	Indicates a line or terminal in looptest mode.

Table 195. Attributes and Status in the /DISPLAY Command (continued)

Status or Attribute	Meaning
LOST	Indicates the VTAM LOSTERM EXIT has been scheduled for this node but has not yet been recognized by IMS. At the next interrupt for this node, IMS will interrogate the LOSTERM value. All values, with one exception, result in an immediate CLSDST, or disconnection, from IMS. For the LOSTERM exception, IMS must wait for VTAM to notify IMS (by another LOSTERM) of completion of recovery operation. Indicates an IMS logger's connection to the Transport Manager Subsystem is gone due to TMS or VTAM failure.
MESSAGES WAITING	Indicates there are system messages waiting to be sent, which prevents shutdown from completing.
MFSTEST, MFST	Indicates a terminal, node, or user in MFSTEST mode.
MSGS IN QUEUE	Indicates there are messages in the queue for an active terminal.
MSG CT	Number of messages on the queue for this destination (calculated by subtracting the DEQCT from ENQCT).
N/A	Indicates a link is not assigned or a user is signed on to a static terminal, in which case queues are not applicable.
NEEDED	Indicates the OLDS that needs to be archived.
NO ACTIVE CONVERSATION	Indicates there is no active conversation between a logger and a log router.
NODE-USR	Node name and user identifier.
NOIN	Indicates a line or terminal stopped for input.
NO INPUTTING LINES	Indicates no terminal activity.
NO LOG ROUTER SG DEFINED	Indicates that there is no Log Router Service Group defined to DBRC.
NONE	Indicates the OTMA client is using not using RACF for security verification.
NOOUT	Indicates a line or terminal stopped for output.
NO OUTPUTTING LINES	Indicates no terminal activity.
NOQUEUE	Indicates a line or terminal that has had message queuing stopped for message switching.
NOT CONN	No subsystem connection.
NOT DEFINED	Indicates the OTMA client has left the XCF group.
NOT IDENTIFIED	Indicates an IMS logger is not identified to the Transport Manager Subsystem.

Table 195. Attributes and Status in the /DISPLAY Command (continued)

Status or Attribute	Meaning
NOTIDLE s	Indicates that a logical link is waiting for the completion of a synchronous event. The s represents the following subcodes:  <b>A</b> Indicates a status of NOTIDLE-POST, which means that an event has completed but the link has not been dispatched to process it.  <b>B</b> Indicates a status of NOTIDLE-IWAIT, which means the link is waiting for completion of internal I/O.  <b>Cxx</b> Indicates a status of NOTIDLE-TP WAIT, which means the link is waiting for completion of a TP access method request. The two characters xx indicate the value of the access method operation code. Blanks appear if the link is VTAM.
NOTINIT	Indicates a database or program for which directory initialization failed or indicates DMB or PSB pool space not large enough to accommodate blocks.
NOTOPEN, NOT-OPEN	Indicates a database, area, line, terminal, or physical link that is not in open status. This status is not applicable to MSDBs.
NOT USABLE	Indicates a log data set (OLDS) is unusable because of previous error.
NRE	Indicates, for a logical link, that link startup processing is not complete. When the link is started, normal restart synchronization will be performed, because the previous link shutdown or IMS restart was normal.
OFR	Indicates that the database or area is being brought up to the current tracking level with online forward recovery.
OPEN	Indicates that the VTAM ACB is open. Indicates an area to be changed or deleted is open.
OPNDST	Indicates an OPNDST is in process for this node.
OUTBOUND	Indicates the alternate subsystem is APPC-enabled. Also shown on active subsystem when APPC processing cannot start.
OUTPUT IN PROGRESS	Indicates output in progress for an active terminal.
PAGE	Indicates an MFS paged message.
PERMNT ERR	Indicates there is a permanent error, such as a read error, that prevents a log gap from being filled.
PLANNED TAKEOVER IN PROGRESS	Indicates all active subsystems being tracked have successfully shut down and the tracker is now in the process of shutting down.
PRE-OPEN FAILED	Pre-open for ADS failed.
PREV CLSER	Indicates that the previous OLDS could not be closed because of an I/O error; therefore, this OLDS is required by the Log Recovery utility to correct the condition.
PRI	Indicates this node is the primary partner of an ISC session; or, for a link, indicates it is the primary partner of an MSC-VTAM session.
PRIMARY MSTR	Indicates the terminal is the primary master terminal.

Table 195. Attributes and Status in the /DISPLAY Command (continued)

Status or Attribute	Meaning
PROFILE	Indicates the OTMA client is using values in the Security Data section of the message prefix for a transaction.
PRST	Indicates that a terminal or user is in preset destination mode. The destination trancode or logical terminal name follows in parentheses.
PSB SCHEDULED	A program referencing a database to be changed or deleted is scheduled.
PSTOPPED (PSTO, PSTOP)	Indicates a line, terminal, transaction, or logical link that has been pstopped. This status can indicate that a different, necessary resource is unavailable. For example, a transaction could show a status of PSTOP because the associated program is not initialized.
PUR, PURGING	Indicates a transaction, line, or terminal that is purging all of its output.
QCT	Number of messages on the queue for this destination (calculated by subtracting the DEQCT from ENQCT).
QERR, QERROR	Indicates that an I/O error has occurred on the queue for this LTERM, or remote transaction (MSC).
QLOCK	Indicates that the LTERM is locked from sending any further output or from receiving input which could create additional output for the same LTERM until the state is reset by a specific request received on the session.
QUEUING nn	Indicates that messages are queued to the transaction to be changed or deleted, and nn is the number of messages queued.
QUI	Indicates that a VTAM node has sent a VTAM Quiesce-End-of-Chain indicator to suspend IMS output.
QUIESCED	Indicates the XCF group is stopped. Indicates the node is stopped.
REBLD-INPROG	Indicates a CQS structure rebuild is in progress for a structure.
RECALL	Indicates database or area is in recall.
RECOVERY	Requests the display of recovery values that pertain to the node or user. For the /DISPLAY DATABASEcommand, indicates that ORS recovery is in progress for that database.
RECOVERY-NEEDED, RECOVERN	Indicates areas that need recovery.
RELREQ (NODE)	Indicates the VTAM RELREQ exit routine has been driven but IMS is waiting for an operation in progress to complete before releasing the node.
REP	Indicates IMS is waiting for an OTMA REPresynch command from the client.
REQ	Indicates IMS is sending an OTMA REQresynch command to the client.
RESP	Indicates the node, line, terminal, or user is in response mode and the response reply message is available for output or in the process of being sent.

Table 195. Attributes and Status in the /DISPLAY Command (continued)

Status or Attribute	Meaning
RESPINP, RESP-INP	Indicates the terminal, line, node, or user is in response mode and the response mode input is still in-doubt; for example, the response reply message is not available for output.
RESYNC	Indicates that the positive acknowledgement for an IMS recoverable output message was not received when the connection with the VTAM node was terminated. This message will be subject to resynchronization when the next connection for this node is attempted.
RNL	Randomizer not loaded for a DEDB database.
RSF	Indicates a reset request failed for an OTMA REPresynch command.
SCHEDULED	Indicates that a conversation, transaction, or program has been received and queued. For a conversation, this status will be displayed from the time an input message is entered until the output message is dequeued. With /DISPLAY MODIFY, indicates that the named resource (a transaction or program to be changed or deleted, or a program referencing a database to be changed or deleted) is scheduled. With /DISPLAY OLDS, indicates an archive job had been generated.
SEC	Indicates this node is the secondary partner of an ISC session; or, for a link, indicates it is the secondary partner of an MSC-VTAM session.
SECOND MSTR	Indicates the terminal is the secondary master terminal.
SENDING LOGS	Indicates a logger has an active conversation with a log router and is sending logs to the tracking site.
SERVER	Indicates the OTMA client is acting as the server.
SEVERE-ERROR	Indicates ADS encountered a severe error.
SHUT	Indicates that normal processing has completed for the node and a VTAM shutdown-complete indicator was returned to IMS. The node can receive IMS output but cannot enter data while in this state.
SHUTDOWN-STRCHKPT	Indicates CQS will take a structure checkpoint during normal shutdown.
SIGN	Indicates that a terminal or user is signed on to a node under enhanced security. The user signed on to the node is shown in parentheses following SIGN.
SIMLOGON	Indicates that a logon to IMS has been simulated.
SPND	Indicates that a transaction had messages on the suspend queue.
/STA ACTIVE	A /START DATABASE command is in progress for a database to be changed or deleted.
STARTING	Shown after /DIS CONV is issued and before the status is set to SCHEDULED. Indicates that a conversation has been received but is not eligible for scheduling to an application program until an end-of-message indication is received. Also shown after /START APPC is issued and before the status is set to ENABLED or FAILED.

Table 195. Attributes and Status in the /DISPLAY Command (continued)

Status or Attribute	Meaning
STATIC	Indicates that the node, LTERM or user was defined during system definition.
STOP IN PROGRESS	Indicates a /STOP SUBSYS command is in progress.
STOPPED, STO, STOP	Indicates an area, line, LTERM, LU name, node, terminal, user, OLDS, subsystem, transaction, routing code (RTCODE), OTMA client, program, or database that is stopped. Indicates a subsystem connection is stopped. Indicates a /STOP SERVGRP command was issued. Indicates a transaction pipe is stopped.
STO-INP	Indicates the terminal is stopped with input messages enqueued to the LU name.
STO-OUTP	Indicates the terminal is stopped with output message enqueued to the LU name.
STRCHKPT-INPROG	Indicates a CQS structure checkpoint is in progress for a structure.
SUBSYSTEM XXXX NOT DEFINED BUT RECOVERY OUTSTANDING	Indicates that the subsystem was not defined but IMS has outstanding recovery elements.
SUSPENDED	Indicates that the transaction has been suspended. For /DISPLAY MODIFY, indicates that the transaction to be changed or deleted is on the suspend queue.
SUSPENDED LOGS	Indicates a logger has an active conversation with a log router but has suspended sending logs to the tracking site due to resource shortage. The conversation is still intact.
SYNCHRONIZING, SYN	Indicates the alternate subsystem is processing a /CHE SNAPQ command from the active subsystem. Indicates a transaction pipe is being synchronized.
SYS CONSOLE	Indicates the terminal is the system console.
TAKEOVER IN PROGRESS	Indicates the alternate subsystem is taking over workload from the active subsystem.
TAKEOVER REQUESTED	Indicates the active subsystem has requested a takeover by the alternate subsystem.
TBR	Indicates IMS is waiting for an OTMA TBResynch command from the client.
TERM IN PROGRESS	Indicates an internal termination of the subsystem.
TERMINATING	Indicates the application program is being terminated.
TEST	Indicates a line, node, terminal, or user in test mode.
TKOTRA	Indicates that a node, line, link, or terminal in an XRF session is to be traced only during takeover, to help diagnose XRF terminal switch problems.
TMP	Indicates a transaction pipe is temporary.
TRA	Indicates the physical terminal, node, logical link, LU name, transaction, program or transaction pipe is being traced.
TRACKING	Indicates the XRF alternate subsystem is tracking the active subsystem or an RSR tracking subsystem is tracking one or more active subsystems.

Table 195. Attributes and Status in the /DISPLAY Command (continued)

Status or Attribute	Meaning
UNAVAILABLE, UNAVAIL	Indicates an ADS that is unavailable. Indicates a region is unavailable because an application is using it, even though the application is not currently scheduled. The region is not available to any other application for use. Indicates that there are no records of a log gap at the active site; these records may have been deleted. Indicates a coupling facility structure is not available for use by IMS.
UNKNOWN	Indicates the XCF group has an unknown status.
UNPLANNED TAKEOVER IN PROGRESS	Indicates an /RTAKEOVER command was entered on the tracking subsystem and an unplanned takeover is in progress.
USTOP, USTOPPED	Indicates scheduling of transactions has been stopped due to unavailable data.
VIR	Indicates that the DEDB area has the VSO option.



Table 195. Attributes and Status in the /DISPLAY Command (continued)

Status or Attribute	Meaning
WAIT cond	<p data-bbox="797 254 1458 338">Indicates the application program is waiting for the completion of an event. The cond represents the reason for waiting. The cond can be:</p> <p data-bbox="797 359 1458 443"><b>AOI</b> indicates that an AO application issued a GMSG call with the wait option specified, but there are no messages for the application to retrieve.</p> <p data-bbox="797 464 1458 548"><b>BLOCKMOVER or BLKMVR</b> indicates that an application control block cannot be loaded because the ACB block mover is busy.</p> <p data-bbox="797 569 1458 653"><b>CMD/PENDING</b> indicates that a /DBD command or a /DBR command is in progress.</p> <p data-bbox="797 674 1458 726"><b>INPUT</b> indicates that the application program is in wait-for-input (WFI) mode.</p> <p data-bbox="797 747 1458 957"><b>INTENT or INTENT/POOL</b> indicates one of two conditions:</p> <ol data-bbox="894 810 1458 957" style="list-style-type: none"> <li data-bbox="894 810 1458 894">1. The application program's intent for a database conflicts with the use of the database by a scheduled program.</li> <li data-bbox="894 905 1458 957">2. A temporary shortage of DMB, PSB, or PSB work area pool space exists.</li> </ol> <p data-bbox="797 978 1458 1094"><b>I/O PREVEN</b> indicates that a BMP region which accesses a GSAM database cannot schedule until I/O prevention has completed.</p> <p data-bbox="797 1115 1458 1230"><b>MESSAGE</b> indicates that the application program is in a pseudo wait-for-input mode. The application is scheduled and is waiting for a message.</p> <p data-bbox="797 1251 1458 1335"><b>POOLSPACE or POOLSP</b> indicates a temporary shortage of DMB, PSB, or PSB work area pool space exists.</p> <p data-bbox="797 1356 1458 1440"><b>SWITCHOVER or SWITCH</b> indicates that the alternate system is tracking the active system.</p> <p data-bbox="797 1461 1458 1545"><b>SYNCPOINT</b> indicates that the application in the region is now in sync point.</p> <p data-bbox="797 1566 1458 1650"><b>WAIT-EPCB POOL</b> indicates that there is a temporary shortage of EPCB pool space.</p> <p data-bbox="797 1671 1458 1738"><b>WAIT-RRS/OTMA PC</b> A program has a protected conversation with an OTMA client.</p>
WAIT BID	Indicates that the OTMA client is processing a Client-Bid request.
WAITING	Indicates that the MPP region is waiting for work. Indicates a log gap is not being filled yet.

*Table 195. Attributes and Status in the /DISPLAY Command (continued)*

<b>Status or Attribute</b>	<b>Meaning</b>
WAIT RESPONSE	Indicates that the OTMA client is processing a message and is waiting for a response from the server.
WRTErr	Indicates a write I/O error on the OLDS or a database.

## Appendix H. High Availability Large Database Commands

The following IMS commands can be issued against High Availability Large Databases (HALDBs). The commands are:

- 3 • /DBDUMP DATABASE
- 3 • /DBRECOVERY DATABASE
- 3 • /DISPLAY DATABASE
- 3 • /LOCK DATABASE
- 3 • /START DATABASE
- 3 • /STOP DATABASE
- 3 • QUERY DB
- 3 • /UNLOCK DATABASE
- 3 • UPDATE DB SET(LOCK(OFF))
- 3 • UPDATE DB SET(LOCK(ON))
- 3 • UPDATE DB START(ACCESS)
- 3 • UPDATE DB STOP(ACCESS)
- 3 • UPDATE DB STOP(SCHED)
- 3 • UPDATE DB STOP(UPDATES)

3 When you enter one of these commands, the database name can be an existing  
 3 non-HALDB, a HALDB master, or a HALDB partition. A command against a HALDB  
 3 partition operates exactly like a command against a non-HALDB with the exception  
 3 of the /START DATABASE and the UPDATE DB START(ACCESS) command. A HALDB  
 3 partition is not allocated during the command unless it was previously authorized  
 3 but not allocated, the OPEN keyword was specified, or the partition has EEQEs.  
 3 The partition is allocated at first reference.

The HALDB partition reflects conditions such as STOPPED, LOCKED, or NOTOPEN. When a HALDB partition is stopped, it must be explicitly started again. Commands with the keyword ALL and commands against a HALDB master do not change the STOPPED and LOCKED indicators in each HALDB partition.

When the command target is a HALDB master, processing acts on all HALDB partitions. For example, if the IMS command is /DBR on the HALDB master, all of the HALDB partitions are closed, deallocated, and unauthorized. Only the HALDB master displays STOPPED (each HALDB partition does not display STOPPED unless it was itself stopped). If a /DBR command was issued against a HALDB master, the display output of a /DISPLAY DATABASE command shows the HALDB master (as STOPPED), but does not display the status of the partitions.

Each partition inherits the access limitations of its HALDB master. If the /DBD command is issued against a HALDB master, all of its partitions close. A subsequent reference to any of the partitions results in the partition opening for input, although the partition's access might be UPDATE or EXCLUSIVE. The DBRC authorization state reflects the limited access.



## Appendix I. IMS Commands, RACF Access Authorities and Resource Names Table

2 Table 196 applies to IMSplex command security. The table lists by IMS command  
 2 verb and keyword the resource name and authorization that are used for RACF  
 2 security checking.

2 For example, if you want to issue the ACTIVATE NODE command on an IMSplex  
 2 named, PLX01, your userid must have UPDATE access to profile  
 2 IMS.PLX01.ACT.NODE in the OPERCMDS class. If you only have READ authority,  
 2 the ACTIVATE NODE command will fail with an 'insufficient authority' message.

3 In general, you can issue a display or query a command with READ authority. To  
 3 change the state of a resource, you need UPDATE authority.

3 **Note:** You can reduce the number of RACF resources required by using wildcards  
 3 in the resource name. For example, use IMS.PLX01.DIS.\* to grant authority  
 3 to use all display commands.

Table 196. Resource Names and RACF Authority for IMS Commands

Command Verb	Command Keyword	Authority	Resource Name
ACT	LINK	UPDATE	IMS.plxname.ACT.LINK
ACT	NODE	UPDATE	IMS.plxname.ACT.NODE
ALL	LU	UPDATE	IMS.plxname.ALL.LU
ASS	CLASS	UPDATE	IMS.plxname.ASS.CLASS
ASS	CPRI	UPDATE	IMS.plxname.ASS.CPRI
ASS	INPUT	UPDATE	IMS.plxname.ASS.INPUT
ASS	LCT	UPDATE	IMS.plxname.ASS.LCT
ASS	LPRI	UPDATE	IMS.plxname.ASS.LPRI
ASS	LTERM	UPDATE	IMS.plxname.ASS.LTERM
ASS	NPRI	UPDATE	IMS.plxname.ASS.NPRI
ASS	OUTPUT	UPDATE	IMS.plxname.ASS.OUTPUT
ASS	PARLIM	UPDATE	IMS.plxname.ASS.PARLIM
ASS	PLCT	UPDATE	IMS.plxname.ASS.PLCT
ASS	SEGNO	UPDATE	IMS.plxname.ASS.SEGNO
ASS	SEGSZ	UPDATE	IMS.plxname.ASS.SEGSZ
ASS	TRAN	UPDATE	IMS.plxname.ASS.TRAN
ASS	USER	UPDATE	IMS.plxname.ASS.USER
BRO	ACT	READ	IMS.plxname.BRO.ACT
BRO	LINE	READ	IMS.plxname.BRO.LINE
BRO	LTERM	READ	IMS.plxname.BRO.LTERM
BRO	MASTER	READ	IMS.plxname.BRO.MASTER
BRO	NODE	READ	IMS.plxname.BRO.NODE
BRO	PTERM	READ	IMS.plxname.BRO.PTERM
BRO	USER	READ	IMS.plxname.BRO.USER

Table 196. Resource Names and RACF Authority for IMS Commands (continued)

Command Verb	Command Keyword	Authority	Resource Name
CHA	APPC	UPDATE	IMS.plxname.CHA.APPC
CHA	CCTL	UPDATE	IMS.plxname.CHA.CCTL
CHA	CPLOG	UPDATE	IMS.plxname.CHA.CPLOG
CHA	DESC	UPDATE	IMS.plxname.CHA.DESC
CHA	DIR	UPDATE	IMS.plxname.CHA.DIR
CHA	FDR	UPDATE	IMS.plxname.CHA.FDR
CHA	LINK	UPDATE	IMS.plxname.CHA.LINK
CHA	NODE	UPDATE	IMS.plxname.CHA.NODE
CHA	PSWD	UPDATE	IMS.plxname.CHA.PSWD
CHA	SUBSYS	UPDATE	IMS.plxname.CHA.SUBSYS
CHA	SURV	UPDATE	IMS.plxname.CHA.SURV
CHA	TRAN	UPDATE	IMS.plxname.CHA.TRAN
CHA	UOR	UPDATE	IMS.plxname.CHA.UOR
CHA	USER	UPDATE	IMS.plxname.CHA.USER
CHE		UPDATE	IMS.plxname.CHE
CHE	DUMPQ	UPDATE	IMS.plxname.CHE.DUMPQ
CHE	FREEZE	UPDATE	IMS.plxname.CHE.FREEZE
CHE	PURGE	UPDATE	IMS.plxname.CHE.PURGE
CHE	STATISTICS	UPDATE	IMS.plxname.CHE.STATISTICS
CLS	NODE	UPDATE	IMS.plxname.CLS.NODE
CQC	SHRQ	UPDATE	IMS.plxname.CQC.SHRQ
CQC	SYSTEM	UPDATE	IMS.plxname.CQC.SYSTEM
CQQ	STATISTICS	READ	IMS.plxname.CQQ.STATISTICS
CQS	SHUTDOWN	UPDATE	IMS.plxname.CQS.SHUTDOWN
DBD	DB	UPDATE	IMS.plxname.DBD.DB
DBR	AREA	UPDATE	IMS.plxname.DBR.AREA
DBR	DB	UPDATE	IMS.plxname.DBR.DB
DBR	DATAGRP	UPDATE	IMS.plxname.DBR.DATAGRP
DEL	LE	UPDATE	IMS.plxname.DEL.LE
DEL	PSWD	UPDATE	IMS.plxname.DEL.PSWD
DEL	TERMINAL	UPDATE	IMS.plxname.DEL.TERMINAL
DEQ	AOITKN	UPDATE	IMS.plxname.DEQ.AOITKN
DEQ	LINE	UPDATE	IMS.plxname.DEQ.LINE
DEQ	LTERM	UPDATE	IMS.plxname.DEQ.LTERM
DEQ	LU	UPDATE	IMS.plxname.DEQ.LU
DEQ	MSNAME	UPDATE	IMS.plxname.DEQ.MSNAME
DEQ	NODE	UPDATE	IMS.plxname.DEQ.NODE
DEQ	SUSPEND	UPDATE	IMS.plxname.DEQ.SUSPEND
DEQ	TMEM	UPDATE	IMS.plxname.DEQ.TMEM

Table 196. Resource Names and RACF Authority for IMS Commands (continued)

Command Verb	Command Keyword	Authority	Resource Name
DEQ	TRAN	UPDATE	IMS.plxname.DEQ.TRAN
DEQ	USER	UPDATE	IMS.plxname.DEQ.USER
DIS	ACT	READ	IMS.plxname.DIS.ACT
DIS	AFFIN	READ	IMS.plxname.DIS.AFFIN
DIS	AOITKN	READ	IMS.plxname.DIS.AOITKN
DIS	APPC	READ	IMS.plxname.DIS.APPC
DIS	AREA	READ	IMS.plxname.DIS.AREA
DIS	ASMT	READ	IMS.plxname.DIS.ASMT
DIS	CCTL	READ	IMS.plxname.DIS.CCTL
DIS	CONV	READ	IMS.plxname.DIS.CONV
DIS	CPLOG	READ	IMS.plxname.DIS.CPLOG
DIS	CQS	READ	IMS.plxname.DIS.CQS
DIS	DB	READ	IMS.plxname.DIS.DB
DIS	DBD	READ	IMS.plxname.DIS.DBD
DIS	DESC	READ	IMS.plxname.DIS.DESC
DIS	FDR	READ	IMS.plxname.DIS.FDR
DIS	FPV	READ	IMS.plxname.DIS.FPV
DIS	HSB	READ	IMS.plxname.DIS.HSB
DIS	HSSP	READ	IMS.plxname.DIS.HSSP
DIS	LINE	READ	IMS.plxname.DIS.LINE
DIS	LINK	READ	IMS.plxname.DIS.LINK
DIS	LTERM	READ	IMS.plxname.DIS.LTERM
DIS	LU	READ	IMS.plxname.DIS.LU
DIS	MASTER	READ	IMS.plxname.DIS.MASTER
DIS	MODIFY	READ	IMS.plxname.DIS.MODIFY
DIS	MSNAME	READ	IMS.plxname.DIS.MSNAME
DIS	NODE	READ	IMS.plxname.DIS.NODE
DIS	OASN	READ	IMS.plxname.DIS.OASN
DIS	OLDS	READ	IMS.plxname.DIS.OLDS
DIS	OTMA	READ	IMS.plxname.DIS.OTMA
DIS	OVERFLOWQ	READ	IMS.plxname.DIS.OVERFLOWQ
DIS	POOL	READ	IMS.plxname.DIS.POOL
DIS	PGM	READ	IMS.plxname.DIS.PGM
DIS	PSB	READ	IMS.plxname.DIS.PSB
DIS	PTERM	READ	IMS.plxname.DIS.PTERM
DIS	Q	READ	IMS.plxname.DIS.Q
DIS	QCNT	READ	IMS.plxname.DIS.QCNT
DIS	RECOVERY	READ	IMS.plxname.DIS.RECOVERY
DIS	RTC	READ	IMS.plxname.DIS.RTC

Table 196. Resource Names and RACF Authority for IMS Commands (continued)

Command Verb	Command Keyword	Authority	Resource Name
DIS	SHUTDOWN	READ	IMS.plxname.DIS.SHUTDOWN
DIS	STATUS	READ	IMS.plxname.DIS.STATUS
DIS	STRUC	READ	IMS.plxname.DIS.STRUC
DIS	SUBSYS	READ	IMS.plxname.DIS.SUBSYS
DIS	SYSID	READ	IMS.plxname.DIS.SYSID
DIS	TIMEOVER	READ	IMS.plxname.DIS.TIMEOVER
DIS	TMEM	READ	IMS.plxname.DIS.TMEM
DIS	TRACE	READ	IMS.plxname.DIS.TRACE
DIS	TRACKING	READ	IMS.plxname.DIS.TRACKING
DIS	TRAN	READ	IMS.plxname.DIS.TRAN
DIS	UOR	READ	IMS.plxname.DIS.UOR
DIS	USER	READ	IMS.plxname.DIS.USER
END	LINE	UPDATE	IMS.plxname.END.LINE
END	NODE	UPDATE	IMS.plxname.END.NODE
END	USER	UPDATE	IMS.plxname.END.USER
EXC	LINE	UPDATE	IMS.plxname.EXC.LINE
EXC	NODE	UPDATE	IMS.plxname.EXC.NODE
EXC	USER	UPDATE	IMS.plxname.EXC.USER
ERE		UPDATE	IMS.plxname.ERE
ERE	BACKUP	UPDATE	IMS.plxname.ERE.BACKUP
ERE	COLDBASE	UPDATE	IMS.plxname.ERE.COLDBASE
ERE	COLDCOMM	UPDATE	IMS.plxname.ERE.COLDCOMM
ERE	COLDSYS	UPDATE	IMS.plxname.ERE.COLDSYS
EXI	CONV	UPDATE	IMS.plxname.EXI.CONV
IDL	LINE	UPDATE	IMS.plxname.IDL.LINE
IDL	LINK	UPDATE	IMS.plxname.IDL.LINK
IDL	NODE	UPDATE	IMS.plxname.IDL.NODE
INIT	OLC	UPDATE	IMS.plxname.INIT.OLC
LOC	DB	UPDATE	IMS.plxname.LOC.DB
LOC	PGM	UPDATE	IMS.plxname.LOC.PGM
LOC	TRAN	UPDATE	IMS.plxname.LOC.TRAN
LOG		UPDATE	IMS.plxname.LOG
MOD	ABORT	UPDATE	IMS.plxname.MOD.ABORT
MOD	COMMIT	UPDATE	IMS.plxname.MOD.COMMIT
MOD	PREPARE	UPDATE	IMS.plxname.MOD.PREPARE
MON	LINE	UPDATE	IMS.plxname.MON.LINE
MSA	LINK	UPDATE	IMS.plxname.MSA.LINK
MSA	MSNAME	UPDATE	IMS.plxname.MSA.MSNAME
MSA	SYSID	UPDATE	IMS.plxname.MSA.SYSID



Table 196. Resource Names and RACF Authority for IMS Commands (continued)

Command Verb	Command Keyword	Authority	Resource Name
MSA	TRAN	UPDATE	IMS.plxname.MSA.TRAN
MSV	MSNAME	UPDATE	IMS.plxname.MSV.MSNAME
MSV	SYSID	UPDATE	IMS.plxname.MSV.SYSID
NRE		UPDATE	IMS.plxname.NRE
NRE	CHKPT	UPDATE	IMS.plxname.NRE.CHKPT
OPN	NODE	UPDATE	IMS.plxname.OPN.NODE
PST	LINE	UPDATE	IMS.plxname.PST.LINE
PST	LINK	UPDATE	IMS.plxname.PST.LINK
PST	LTERM	UPDATE	IMS.plxname.PST.LTERM
PST	MSPLINK	UPDATE	IMS.plxname.PST.MSPLINK
PST	REGION	UPDATE	IMS.plxname.PST.REGION
PST	TRAN	UPDATE	IMS.plxname.PST.TRAN
PUR	APPC	UPDATE	IMS.plxname.PUR.APPC
PUR	FPPROG	UPDATE	IMS.plxname.PUR.FPPROG
PUR	FPRGN	UPDATE	IMS.plxname.PUR.FPRGN
PUR	LINE	UPDATE	IMS.plxname.PUR.LINE
PUR	LTERM	UPDATE	IMS.plxname.PUR.LTERM
PUR	MSNAME	UPDATE	IMS.plxname.PUR.MSNAME
PUR	TRAN	UPDATE	IMS.plxname.PUR.TRAN
QRY	IMSPLEX	READ	IMS.plxname.QRY.IMSPLEX
QRY	LE	READ	IMS.plxname.QRY.LE
QRY	MEMBER	READ	IMS.plxname.QRY.MEMBER
QRY	OLC	READ	IMS.plxname.QRY.OLC
QRY	STRUCTURE	READ	IMS.plxname.QRY.STRUCTURE
QRY	TRAN	READ	IMS.plxname.QRY.TRAN
QUI	NODE	UPDATE	IMS.plxname.QUI.NODE
RDI	MASTER	READ	IMS.plxname.RDI.MASTER
REC	ADD	UPDATE	IMS.plxname.REC.ADD
REC	REMOVE	UPDATE	IMS.plxname.REC.REMOVE
REC	START	UPDATE	IMS.plxname.REC.START
REC	STOP	UPDATE	IMS.plxname.REC.STOP
REC	TERMINATE	UPDATE	IMS.plxname.REC.TERMINATE
RMC		UPDATE	IMS.plxname.RMC
RMD		UPDATE	IMS.plxname.RMD
RMG		UPDATE	IMS.plxname.RMG
RMI		UPDATE	IMS.plxname.RMI
RML		READ	IMS.plxname.RML
RMN		UPDATE	IMS.plxname.RMN
RST	LINE	UPDATE	IMS.plxname.RST.LINE

Table 196. Resource Names and RACF Authority for IMS Commands (continued)

Command Verb	Command Keyword	Authority	Resource Name
RST	LINK	UPDATE	IMS.plxname.RST.LINK
RST	MSPLINK	UPDATE	IMS.plxname.RST.MSPLINK
RST	NODE	UPDATE	IMS.plxname.RST.NODE
RST	USER	UPDATE	IMS.plxname.RST.USER
RTA	DUMPQ	UPDATE	IMS.plxname.RTA.DUMPQ
RTA	FREEZE	UPDATE	IMS.plxname.RTA.FREEZE
RTA	UNPLAN	UPDATE	IMS.plxname.RTA.UNPLAN
SEC	APPC	UPDATE	IMS.plxname.SEC.APPC
SEC	OTMA	UPDATE	IMS.plxname.SEC.OTMA
SMC	MASTER	UPDATE	IMS.plxname.SMC.MASTER
SMC	TERMINAL	UPDATE	IMS.plxname.SMC.TERMINAL
STA	APPC	UPDATE	IMS.plxname.STA.APPC
STA	AREA	UPDATE	IMS.plxname.STA.AREA
STA	AUTOARCH	UPDATE	IMS.plxname.STA.AUTOARCH
STA	CLASS	UPDATE	IMS.plxname.STA.CLASS
STA	DB	UPDATE	IMS.plxname.STA.DB
STA	DATAGRP	UPDATE	IMS.plxname.STA.DATAGRP
STA	DC	UPDATE	IMS.plxname.STA.DC
STA	ISOLOG	UPDATE	IMS.plxname.STA.ISOLOG
STA	LINE	UPDATE	IMS.plxname.STA.LINE
STA	LTERM	UPDATE	IMS.plxname.STA.LTERM
STA	LU	UPDATE	IMS.plxname.STA.LU
STA	MADSIOT	UPDATE	IMS.plxname.STA.MADSIOT
STA	MSNAME	UPDATE	IMS.plxname.STA.MSNAME
STA	NODE	UPDATE	IMS.plxname.STA.NODE
STA	OLDS	UPDATE	IMS.plxname.STA.OLDS
STA	OTMA	UPDATE	IMS.plxname.STA.OTMA
STA	PGM	UPDATE	IMS.plxname.STA.PGM
STA	REGION	UPDATE	IMS.plxname.STA.REGION
STA	RTC	UPDATE	IMS.plxname.STA.RTC
STA	SB	UPDATE	IMS.plxname.STA.SB
STA	SERVGRP	UPDATE	IMS.plxname.STA.SERVGRP
STA	SUBSYS	UPDATE	IMS.plxname.STA.SUBSYS
STA	SURV	UPDATE	IMS.plxname.STA.SURV
STA	THREAD	UPDATE	IMS.plxname.STA.THREAD
STA	TMEM	UPDATE	IMS.plxname.STA.TMEM
STA	TRAN	UPDATE	IMS.plxname.STA.TRAN
STA	TRKARCH	UPDATE	IMS.plxname.STA.TRKARCH
STA	USER	UPDATE	IMS.plxname.STA.USER

Table 196. Resource Names and RACF Authority for IMS Commands (continued)

Command Verb	Command Keyword	Authority	Resource Name
STA	VGR	UPDATE	IMS.plxname.STA.VGR
STA	WADS	UPDATE	IMS.plxname.STA.WADS
STA	XRCTRACK	UPDATE	IMS.plxname.STA.XRCTRACK
STO	ADS	UPDATE	IMS.plxname.STO.ADS
STO	APPC	UPDATE	IMS.plxname.STO.APPC
STO	AREA	UPDATE	IMS.plxname.STO.AREA
STO	AUTOARCH	UPDATE	IMS.plxname.STO.AUTOARCH
STO	BACKUP	UPDATE	IMS.plxname.STO.BACKUP
STO	CLASS	UPDATE	IMS.plxname.STO.CLASS
STO	DB	UPDATE	IMS.plxname.STO.DB
STO	DATAGRP	UPDATE	IMS.plxname.STO.DATAGRP
STO	DC	UPDATE	IMS.plxname.STO.DC
STO	LINE	UPDATE	IMS.plxname.STO.LINE
STO	LTERM	UPDATE	IMS.plxname.STO.LTERM
STO	LU	UPDATE	IMS.plxname.STO.LU
STO	MADSIOT	UPDATE	IMS.plxname.STO.MADSIOT
STO	MSNAME	UPDATE	IMS.plxname.STO.MSNAME
STO	NODE	UPDATE	IMS.plxname.STO.NODE
STO	OLDS	UPDATE	IMS.plxname.STO.OLDS
STO	OTMA	UPDATE	IMS.plxname.STO.OTMA
STO	PGM	UPDATE	IMS.plxname.STO.PGM
STO	REGION	UPDATE	IMS.plxname.STO.REGION
STO	RTC	UPDATE	IMS.plxname.STO.RTC
STO	SB	UPDATE	IMS.plxname.STO.SB
STO	SERVGRP	UPDATE	IMS.plxname.STO.SERVGRP
STO	SUBSYS	UPDATE	IMS.plxname.STO.SUBSYS
STO	SURV	UPDATE	IMS.plxname.STO.SURV
STO	THREAD	UPDATE	IMS.plxname.STO.THREAD
STO	TMEM	UPDATE	IMS.plxname.STO.TMEM
STO	TRAN	UPDATE	IMS.plxname.STO.TRAN
STO	USER	UPDATE	IMS.plxname.STO.USER
STO	VGR	UPDATE	IMS.plxname.STO.VGR
STO	WADS	UPDATE	IMS.plxname.STO.WADS
STO	XRCTRACK	UPDATE	IMS.plxname.STO.XRCTRACK
SWI	OLDS	UPDATE	IMS.plxname.SWI.OLDS
SWI	SYSTEM	UPDATE	IMS.plxname.SWI.SYSTEM
SWI	WADS	UPDATE	IMS.plxname.SWI.WADS
TERM	OLC	UPDATE	IMS.plxname.TERM.OLC
TES	MFS	UPDATE	IMS.plxname.TES.MFS

Table 196. Resource Names and RACF Authority for IMS Commands (continued)

Command Verb	Command Keyword	Authority	Resource Name
TRA	SET	UPDATE	IMS.plxname.TRA.SET
UNL	DB	UPDATE	IMS.plxname.UNL.DB
UNL	PGM	UPDATE	IMS.plxname.UNL.PGM
UNL	SYSTEM	UPDATE	IMS.plxname.UNL.SYSTEM
UNL	TRAN	UPDATE	IMS.plxname.UNL.TRAN
UPD	LE	UPDATE	IMS.plxname.UPD.LE
UPD	TRAN	UPDATE	IMS.plxname.UPD.TRAN
VUN	AREA	UPDATE	IMS.plxname.VUN.AREA

## Bibliography

This bibliography includes all the publications cited in this book, including the publications in the IMS library.

*IMS Queue Control Facility for z/OS: User's Guide, V1 R2, SC26-9685*

*MVS/ESA Operations: JES2 Commands, SC28-1039*

*MVS/ESA Operations: JES3 Commands, SC23-0074*

*MVS/ESA System Commands, GC28-1442*

*OS/390 MVS System Commands, GC28-1781*

*RACF Macros and Interfaces , SC23-3732*

*RACF Security Administrator's Guide, SC23-3726*

### IMS Version 9 Library

SC27-1283	ADB	<i>IMS Version 9: Administration Guide: Database Manager</i>
SC27-1284	AS	<i>IMS Version 9: Administration Guide: System</i>
SC27-1285	ATM	<i>IMS Version 9: Administration Guide: Transaction Manager</i>
SC27-1286	APDB	<i>IMS Version 9: Application Programming: Database Manager</i>
SC27-1287	APDG	<i>IMS Version 9: Application Programming: Design Guide</i>
SC27-1288	APCICS	<i>IMS Version 9: Application Programming: EXEC DLI Commands for CICS and IMS</i>
SC27-1289	APTM	<i>IMS Version 9: Application Programming: Transaction Manager</i>
SC27-1290	BPE	<i>IMS Version 9: Base Primitive Environment Guide and Reference</i>
SC27-1291	CR	<i>IMS Version 9: Command Reference</i>
SC27-1292	CQS	<i>IMS Version 9: Common Queue Server Guide and Reference</i>
SC27-1293	CSL	<i>IMS Version 9: Common Service Layer Guide and Reference</i>
SC27-1294	CG	<i>IMS Version 9: Customization Guide</i>
SC27-1295	DBRC	<i>IMS Version 9: DBRC Guide and Reference</i>
LY37-3742	DGR	<i>IMS Version 9: Diagnosis Guide and Reference</i>

LY37-3743	FAST	<i>IMS Version 9: Failure Analysis Structure Tables (FAST) for Dump Analysis</i>
SC27-1296	IJUG	<i>IMS Version 9: IMS Java Guide and Reference</i>
GC27-1297	IIV	<i>IMS Version 9: Installation Volume 1: Installation Verification</i>
GC27-1298	ISDT	<i>IMS Version 9: Installation Volume 2: System Definition and Tailoring</i>
SC27-1300	MIG	<i>IMS Version 9: Master Index and Glossary</i>
GC27-1301	MC1	<i>IMS Version 9: Messages and Codes, Volume 1</i>
GC27-1302	MC2	<i>IMS Version 9: Messages and Codes, Volume 2</i>
SC27-1303	OTMA	<i>IMS Version 9: Open Transaction Manager Access Guide</i>
SC27-1304	OG	<i>IMS Version 9: Operations Guide</i>
GC27-1305	RPG	<i>IMS Version 9: Release Planning Guide</i>
SC27-1308	URDBTM	<i>IMS Version 9: Utilities Reference: Database and Transaction Manager</i>
SC27-1309	URS	<i>IMS Version 9: Utilities Reference: System</i>

#### Supplementary Publications

GC27-1299	LPS	<i>IMS Version 9: Licensed Program Specifications</i>
SC27-1307	SOC	<i>IMS Version 9: Summary of Operator Commands</i>

#### Publication Collections

LK3T-7092	CD	IMS Version 9 Softcopy Library
LBOF-7780	Hardcopy and CD	Licensed Bill of Forms (LBOF): IMS Version 9 Hardcopy and Softcopy Library
SBOF-7781	Hardcopy	Unlicensed Bill of Forms (SBOF): IMS Version 9 Unlicensed Hardcopy Library
SK2T-6700	CD	OS/390 Collection
SK3T-4270	CD	z/OS Software Products Collection

#### Accessibility Titles Cited in this Book

SA22-7787		z/OS TSO Primer
SA22-7794		TSO/E User's Guide
SC34-4822		ISPF User's Guide, Volume 1



Program Number: 5655-J38

IBM Confidential  
Printed in USA

ZES1-2356-00

