

# ***Net.Data for OS/390***

## ***Version 2***

### *Deploying dynamic data to the Web*

---

#### ***Highlights***

---

- ***Enterprise data on the Web***
- ***Interactive Web applications with dynamic data***
- ***Rapid development of Internet and intranet applications***
- ***Web applications with existing business logic***



To realize the business potential of the Web, your Web applications need information from across your enterprise. With Net.Data for OS/390 Version 2, you can build business critical Web applications with your DB2 data and all of the data that drives your business.

#### **Drive your Web applications with business-critical data**

Right now, businesses require interactive access from the Internet. Your corporate data is critical to reaching new markets and offering new services in the Network Computing environment. Enterprise data is becoming a crucial part of today's data-driven Web applications, which need to provide fast and easy access to reliable, up-to-the-minute business information.

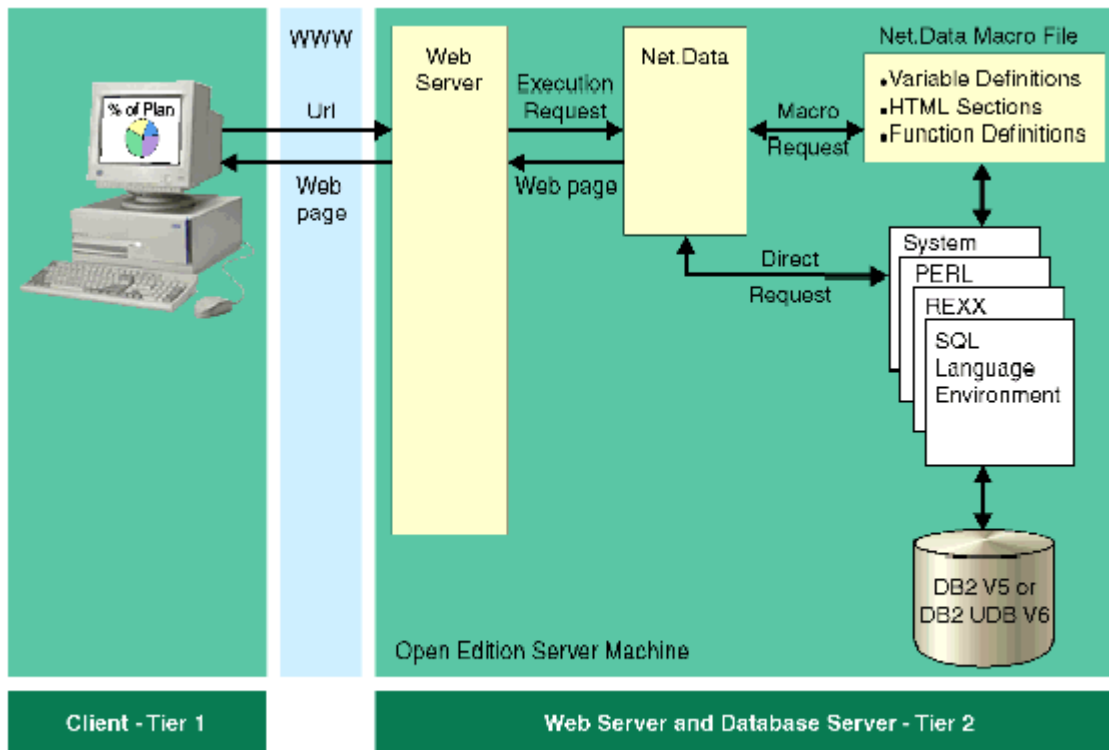
To create interactive Web applications that can take full advantage of the data in your enterprise, you need Net.Data for OS/390 Version 2 from IBM. Net.Data for OS/390 Version 2 provides high-performance connectivity to your business' data. Net.Data applications can access DB2 data on any platform, and can harness the full power of your DB2 applications and data. Net.Data exploits the OS/390's capabilities as a premier platform for electronic commerce and Internet technology. Net.Data applications provide continuous application availability, scalability and security.

#### **See what happens when your enterprise data is on the Web**

With Net.Data, you can build Internet applications to expand your presence in the global marketplace. With interactive connectivity to your business' data,you can make electronic commerce a reality. For example, catalog merchandisers can provide product information on the Web as well as receive orders from customers. Travelers can book airline tickets or hotel rooms from the comfort of their homes. An electronic data interchange application can exchange inventory and ordering information with key suppliers. Intra-company communication can be streamlined with a corporate intranet. With Net.Data, your Web applications can be driven by the critical data in your enterprise.

### Interactive Web applications with dynamic data

Your Web applications are a click away from your most current corporate information. Your business applications can now access the key data in your enterprise. Net.Data for OS/390 applications can connect to a variety of data sources on a range of operating platforms. Net.Data application data sources can be DB2 for MVS/ESA, DB2 for OS/390, or a DB2 family member such as the new DB2 Universal Database or DB2 DataJoiner. Web applications can also connect to DRDA-enabled data sources, or HFS flat files. Combined with DB2 DataJoiner, IBM's multi-database server, you can access and join data across relational and non-relational data sources, local and remote, with a single SQL statement. Imagine the Web applications you can build!



*Net.Data for OS/390 Version 2 process flow*

### Rapid development of Internet and intranet applications

Net.Data features a high-level scripting language for ease of application development. The Net.Data application, a form of macro, has conditional logic and

built-in functions for flexible application development. HTML variable substitution allows information to be passed from one Web page to another.

Functions, both built-in and user-written, allow complex logic to be included in the application. With Net.Data, you can call Java applets and JavaScripts for client-side processing. You can use a Java applet to create a graphical chart, such as a pie chart, from the results of a Net.Data application. With Net.Data's support for JavaScripts, you can verify data entered at the client's Web browser.

For additional server-side processing, your Web application can call scripts and functions written in SQL, Perl, REXX or C/C++. Call DB2 stored procedures to group application logic for improved performance.

## **Use of existing business logic**

With Net.Data, you can exploit existing business logic and utilize your company's skill set to turn current business applications into Web applications. Call functions written in C/C++, REXX and Perl for additional processing. In addition, an Application Programming Interface is available for application builders who wish to write their own extensions to Net.Data. Net.Data works with most HTTP Web servers and most HTML Web browsers, so you can use the Internet tools that you already know and love.

## **Go live! Get Web-enabled today!**

To find out more about Net.Data, contact your local IBM representative, or visit us on the Web at: [www.software.ibm.com/data/net.data/](http://www.software.ibm.com/data/net.data/)

Net.Data for OS/390 Version 2 is available as a no-charge feature of DB2 for OS/390 Version 5 and DB2 Universal Database Server for OS/390 Version 6.



© International Business Machines Corporation 1997

*Santa Teresa Laboratory  
555 Bailey Avenue  
San Jose, CA 95141*

*10-97  
All Rights Reserved*

*References in this publication to IBM products or services do not imply that IBM intends to make them available in all countries in which IBM operates.*

*IBM, DB2, Net.Data, OS/390, MVS/ESA, DataJoiner and DRDA are trademarks or*

*registered trademarks of International Business Machines Corporation. Java is a registered trademark of Sun Microsystems Inc. All other products or product names are trademarks or registered trademarks of their respective owners.*