

CICS® Transaction Server for OS/390
®



CICS User's Handbook

Release 3

CICS® Transaction Server for OS/390
®



CICS User's Handbook

Release 3

Note!

Before using this information and the product it supports, be sure to read the general information under "Notices" on page v.

Third edition (March 1999)

This edition applies to Release 3 of CICS Transaction Server for OS/390, program number 5655-147, and to all subsequent versions, releases, and modifications until otherwise indicated in new editions. Make sure you are using the correct edition for the level of the product.

This edition replaces and makes obsolete the previous edition, SX33-6104-00. The technical changes for this edition are summarized under "Summary of changes" and are indicated by a vertical bar to the left of a change.

Order publications through your IBM representative or the IBM branch office serving your locality. Publications are not stocked at the address given below.

At the back of this publication is a page entitled "Sending your comments to IBM". If you want to make comments, but the methods described are not available to you, please address them to:

IBM United Kingdom Laboratories, Information Development,
Mail Point 095, Hursley Park, Winchester, Hampshire, England, SO21 2JN.

When you send information to IBM, you grant IBM a nonexclusive right to use or distribute the information in any way it believes appropriate without incurring any obligation to you.

© Copyright International Business Machines Corporation 1989, 1999. All rights reserved.

US Government Users Restricted Rights – Use, duplication or disclosure restricted by GSA ADP Schedule Contract with IBM Corp.

Contents

Notices	v
Programming interface information	vi
Trademarks	vii
Preface	ix
What this handbook is about	ix
Who this handbook is for	ix
What you need to know to understand this handbook	ix
Handbook structure	x
Bibliography	xiii
CICS Transaction Server for OS/390	xiii
CICS books for CICS Transaction Server for OS/390	xiii
CICSplex SM books for CICS Transaction Server for OS/390	xv
Other CICS books	xv
Determining if a publication is current	xv
Summary of changes	xvii
Changes made for CICS Transaction Server for OS/390 Release 3	xvii
Changes made for CICS Transaction Server for OS/390 Release 2	xvii
Changes made for CICS/ESA 4.1 edition	xvii
Chapter 1. Command-level application programming	1
General format	1
Restrictions for distributed program link (DPL)	2
API command syntax	3
Chapter 2. SPI command syntax	91
Chapter 3. CICS-Supplied Transaction	167
Chapter 4. Resource definition online	197
Chapter 5. DFHCSDUP commands	205
Chapter 6. Front End Programming Interface command reference	211
FEPI application programming	211
FEPI system programming	218
Chapter 7. CICS-value data areas used by all commands	225
CVDAs and numeric values in alphabetic sequence	225
CVDAs and numeric values in numeric sequence	233

CVDA values for the DEVICE option	240
Chapter 8. EXEC interface block (EIB)	243
EIB field names and descriptions	243
EIBFN codes	244
EIBRCODE values	249
RESP values and conditions	254
Chapter 9. RESP2 values and their meanings	257
Chapter 10. EXEC interface block (EIB) response and function codes	397
Response codes of EXEC CICS commands	397
Function codes of EXEC CICS commands	399
Chapter 11. DFH messages	407
Message Identifiers	407
Format of information	411
MVS user abend codes	415
Chapter 12. Transaction abend codes	419
Format of information	420
Chapter 13. Transaction abend codes	421
Chapter 14. 1xxx-9xxx (COBOL II) abend codes	463
Chapter 15. VTAM-associated errors	465
VTAM terminal error codes and CICS message numbers	465
Chapter 16. System sense codes received	471
Action flag settings and default actions	474
Chapter 17. VTAM submodule identifiers	475
Chapter 18. AP domain storage classes	479
Sending your comments to IBM	481

Notices

This information was developed for products and services offered in the U.S.A. IBM may not offer the products, services, or features discussed in this document in other countries. Consult your local IBM representative for information on the products and services currently available in your area. Any reference to an IBM product, program, or service is not intended to state or imply that only that IBM product, program, or service may be used. Any functionally equivalent product, program, or service that does not infringe any IBM intellectual property right may be used instead. However, it is the user's responsibility to evaluate and verify the operation of any non-IBM product, program, or service.

IBM may have patents or pending patent applications covering subject matter described in this document. The furnishing of this document does not give you any license to these patents. You can send license inquiries, in writing, to:

IBM Director of Licensing
IBM Corporation
North Castle Drive
Armonk, NY 10504-1785
U.S.A.

For license inquiries regarding double-byte (DBCS) information, contact the IBM Intellectual Property Department in your country or send inquiries, in writing, to:

IBM World Trade Asia Corporation
Licensing
2-31 Roppongi 3-chome, Minato-ku
Tokyo 106, Japan

The following paragraph does not apply in the United Kingdom or any other country where such provisions are inconsistent with local law:

INTERNATIONAL BUSINESS MACHINES CORPORATION PROVIDES THIS PUBLICATION "AS IS" WITHOUT WARRANTY OF ANY KIND, EITHER EXPRESS OR IMPLIED, INCLUDING, BUT NOT LIMITED TO, THE IMPLIED WARRANTIES OF NON-INFRINGEMENT, MERCHANTABILITY, OR FITNESS FOR A PARTICULAR PURPOSE. Some states do not allow disclaimer of express or implied warranties in certain transactions, therefore this statement may not apply to you.

This publication could include technical inaccuracies or typographical errors. Changes are periodically made to the information herein; these changes will

be incorporated in new editions of the publication. IBM may make improvements and/or changes in the product(s) and/or the program(s) described in this publication at any time without notice.

Licensees of this program who wish to have information about it for the purpose of enabling: (i) the exchange of information between independently created programs and other programs (including this one) and (ii) the mutual use of the information which has been exchanged, should contact IBM United Kingdom Laboratories, MP151, Hursley Park, Winchester, Hampshire, England, SO21 2JN. Such information may be available, subject to appropriate terms and conditions, including in some cases, payment of a fee.

The licensed program described in this document and all licensed material available for it are provided by IBM under terms of the IBM Customer Agreement, IBM International Programming License Agreement, or any equivalent agreement between us.

Programming interface information

This book is intended to help you refer quickly to CICS system administration and operating information.

This book also documents General-use Programming Interface and Associated Guidance Information, Product-sensitive Programming Interface and Associated Guidance Information, and Diagnosis, Modification or Tuning Information provided by CICS.

General-use programming interfaces allow the customer to write programs that obtain the services of CICS.

General-use Programming Interface and Associated Guidance Information is identified where it occurs, by an introductory statement to a chapter or section.

Product-sensitive programming interfaces allow the customer installation to perform tasks such as diagnosing, modifying, monitoring, repairing, tailoring, or tuning of CICS. Use of such interfaces creates dependencies on the detailed design or implementation of the IBM software product.

Product-sensitive programming interfaces should be used only for these specialized purposes. Because of their dependencies on detailed design and implementation, it is to be expected that programs written to such interfaces may need to be changed in order to run with new product releases or versions, or as a result of service.

Product-sensitive Programming Interface and Associated Guidance Information is identified where it occurs, by an introductory statement to a chapter or section.

Diagnosis, Modification or Tuning Information is provided to help you diagnose problems in a CICS system.

Attention: Do not use this Diagnosis, Modification or Tuning Information as a programming interface.

Diagnosis, Modification or Tuning Information is identified where it occurs, by an introductory statement to a chapter or section.

Trademarks

The following terms are trademarks of International Business Machines Corporation in the United States, or other countries, or both:

ACF/VTAM	CICS/MVS	MVS/ESA
CICS	CICS/VSE	RACF
CICS OS/2	C/370	VSE/ESA
CICS/ESA	DB2	VTAM
	IBM	
	IBMLink	

Other company, product, and service names may be trademarks or service marks of others.

Preface

What this handbook is about

This book helps you refer quickly to topics you are already familiar with. It provides a summary of information contained elsewhere in the CICS library.

Who this handbook is for

This book is for:

- System programmers
- CICS or system operators
- Application programmers.

What you need to know to understand this handbook

You need to have a good understanding of how CICS works. This assumes familiarity with most, if not all, of the books in the CICS library, together with adequate practical experience of running a CICS system.

Handbook structure

Chapter 1, “Command-level application programming” on page 1

Gives a summary of command-level application programming commands in CICS Transaction Server for OS/390. For programming information, see the *CICS Application Programming Reference*.

Chapter 2, “SPI command syntax” on page 91

Gives a summary of command-level system programming commands. For programming information, see the *CICS System Programming Reference* manual.

Chapter 3, “CICS-Supplied Transaction” on page 167

Gives a summary of the CICS-supplied transactions. For more detailed information, see the *CICS Supplied Transactions*.

Chapter 4, “Resource definition online” on page 197

Gives a summary of the syntax for resource definition online. For more detailed information, see the *CICS Resource Definition Guide*.

Chapter 6, “Front End Programming Interface command reference” on page 211

Gives a summary of the syntax for front end programming interface command references. For more detailed information, see the *CICS Front End Programming Interface User's Guide*.

Chapter 7, “CICS-value data areas used by all commands” on page 225

Gives a table of CVDA values. For programming information, see the *CICS System Programming Reference* manual.

Chapter 8, “EXEC interface block (EIB)” on page 243

Gives information about EIB fields, and gives the meanings of EIBFN, EIBRCODE, RESP, and RESP2 values. For programming information, see the *CICS Application Programming Reference*.

Chapter 10, “EXEC interface block (EIB) response and function codes” on page 397

Gives information about EIB response and function codes. For more detailed information, see the *CICS System Programming Reference* and the *CICS Problem Determination Guide*.

Chapter 11, “DFH messages” on page 407

Gives a summary of the terminal error messages and codes. For more detailed information, see the *CICS Messages and Codes*.

Chapter 12, “Transaction abend codes” on page 419

Gives a summary of CICS transaction abend codes. For more detailed information, see the *CICS Messages and Codes*.

Chapter 15, “VTAM-associated errors” on page 465

Gives a summary of VTAM errors and associated CICS messages. For more detailed information, see the *CICS Messages and Codes*.

Chapter 17, “VTAM submodule identifiers” on page 475

Gives information about the product-sensitive product interface.

Chapter 18, “AP domain storage classes” on page 479

Shows the valid AP domain storage classes.

Bibliography

CICS Transaction Server for OS/390

<i>CICS Transaction Server for OS/390: Planning for Installation</i>	GC33-1789
<i>CICS Transaction Server for OS/390 Release Guide</i>	GC34-5352
<i>CICS Transaction Server for OS/390 Migration Guide</i>	GC34-5353
<i>CICS Transaction Server for OS/390 Installation Guide</i>	GC33-1681
<i>CICS Transaction Server for OS/390 Program Directory</i>	GI10-2506
<i>CICS Transaction Server for OS/390 Licensed Program Specification</i>	GC33-1707

CICS books for CICS Transaction Server for OS/390

General

<i>CICS Master Index</i>	SC33-1704
<i>CICS User's Handbook</i>	SX33-6104
<i>CICS Transaction Server for OS/390 Glossary</i> (softcopy only)	GC33-1705

Administration

<i>CICS System Definition Guide</i>	SC33-1682
<i>CICS Customization Guide</i>	SC33-1683
<i>CICS Resource Definition Guide</i>	SC33-1684
<i>CICS Operations and Utilities Guide</i>	SC33-1685
<i>CICS Supplied Transactions</i>	SC33-1686

Programming

<i>CICS Application Programming Guide</i>	SC33-1687
<i>CICS Application Programming Reference</i>	SC33-1688
<i>CICS System Programming Reference</i>	SC33-1689
<i>CICS Front End Programming Interface User's Guide</i>	SC33-1692
<i>CICS C++ OO Class Libraries</i>	SC34-5455
<i>CICS Distributed Transaction Programming Guide</i>	SC33-1691
<i>CICS Business Transaction Services</i>	SC34-5268

Diagnosis

<i>CICS Problem Determination Guide</i>	GC33-1693
<i>CICS Messages and Codes</i>	GC33-1694
<i>CICS Diagnosis Reference</i>	LY33-6088
<i>CICS Data Areas</i>	LY33-6089
<i>CICS Trace Entries</i>	SC34-5446
<i>CICS Supplementary Data Areas</i>	LY33-6090

Communication

<i>CICS Intercommunication Guide</i>	SC33-1695
<i>CICS Family: Interproduct Communication</i>	SC33-0824
<i>CICS Family: Communicating from CICS on System/390</i>	SC33-1697
<i>CICS External Interfaces Guide</i>	SC33-1944
<i>CICS Internet Guide</i>	SC34-5445

Special topics

<i>CICS Recovery and Restart Guide</i>	SC33-1698
<i>CICS Performance Guide</i>	SC33-1699
<i>CICS IMS Database Control Guide</i>	SC33-1700
<i>CICS RACF Security Guide</i>	SC33-1701
<i>CICS Shared Data Tables Guide</i>	SC33-1702
<i>CICS Transaction Affinities Utility Guide</i>	SC33-1777
<i>CICS DB2 Guide</i>	SC33-1939

CICSplex SM books for CICS Transaction Server for OS/390

General

<i>CICSplex SM Master Index</i>	SC33-1812
<i>CICSplex SM Concepts and Planning</i>	GC33-0786
<i>CICSplex SM User Interface Guide</i>	SC33-0788
<i>CICSplex SM View Commands Reference Summary</i>	SX33-6099

Administration and Management

<i>CICSplex SM Administration</i>	SC34-5401
<i>CICSplex SM Operations Views Reference</i>	SC33-0789
<i>CICSplex SM Monitor Views Reference</i>	SC34-5402
<i>CICSplex SM Managing Workloads</i>	SC33-1807
<i>CICSplex SM Managing Resource Usage</i>	SC33-1808
<i>CICSplex SM Managing Business Applications</i>	SC33-1809

Programming

<i>CICSplex SM Application Programming Guide</i>	SC34-5457
<i>CICSplex SM Application Programming Reference</i>	SC34-5458

Diagnosis

<i>CICSplex SM Resource Tables Reference</i>	SC33-1220
<i>CICSplex SM Messages and Codes</i>	GC33-0790
<i>CICSplex SM Problem Determination</i>	GC33-0791

Other CICS books

<i>CICS Application Programming Primer (VS COBOL II)</i>	SC33-0674
<i>CICS Application Migration Aid Guide</i>	SC33-0768
<i>CICS Family: API Structure</i>	SC33-1007
<i>CICS Family: Client/Server Programming</i>	SC33-1435
<i>CICS Family: General Information</i>	GC33-0155
<i>CICS 4.1 Sample Applications Guide</i>	SC33-1173
<i>CICS/ESA 3.3 XRF Guide</i>	SC33-0661

If you have any questions about the CICS Transaction Server for OS/390 library, see *CICS Transaction Server for OS/390: Planning for Installation* which discusses both hardcopy and softcopy books and the ways that the books can be ordered.

Determining if a publication is current

IBM regularly updates its publications with new and changed information. When first published, both hardcopy and BookManager softcopy versions of a publication are usually in step. However, due to the time required to print and distribute hardcopy books, the BookManager version is more likely to have had last-minute changes made to it before publication.

Subsequent updates will probably be available in softcopy before they are available in hardcopy. This means that at any time from the availability of a release, softcopy versions should be regarded as the most up-to-date.

For CICS Transaction Server books, these softcopy updates appear regularly on the *Transaction Processing and Data Collection Kit* CD-ROM, SK2T-0730-xx. Each reissue of the collection kit is indicated by an updated order number suffix (the -xx part). For example, collection kit SK2T-0730-06 is more up-to-date than SK2T-0730-05. The collection kit is also clearly dated on the cover.

Updates to the softcopy are clearly marked by revision codes (usually a “#” character) to the left of the changes.

”

Summary of changes

Changes made for CICS Transaction Server for OS/390 Release 3

Trace entries have been moved to the Trace Entries manual SC34-5446-02.

Changes made for CICS Transaction Server for OS/390 Release 2

This handbook includes information about the new or enhanced facilities introduced by CICS Transaction Server for OS/390 Release 3.

VTAM terminal error codes are now shown in CICS message order.

Tables of CVDA values are now shown in hexadecimal **and** decimal format.

Changes made for CICS/ESA 4.1 edition

The commands for application programming and system programming are shown in alphabetic order.

In the section Chapter 7, “CICS-value data areas used by all commands” on page 225, tables of CVDA values have been added.

Syntax boxes for EXEC CICS commands are replaced with “railroad” diagrams. For an explanation of these diagrams, see the *CICS Application Programming Reference* manual.

Trace has been removed from this handbook and has been moved into the *CICS Diagnosis Reference* manual.

Front end programming interface (FEPI) commands have been added.

..

Application Programming

Chapter 1. Command-level application programming

This chapter contains General-use Programming Interface information.

General format

The format of a CICS command, which can be coded in a COBOL, C/370, PL/I, or assembler application program, is as follows:

COBOL:

```
EXEC CICS function[option[(arg)]]... END-EXEC
```

C:

```
EXEC CICS function[option[(arg)]]... ;
```

PL/I:

```
EXEC CICS function[option[(arg)]]... ;
```

Assembler:

```
EXEC CICS function[option[(arg)]]...
```

DL/I command format

The format of a DL/I command, which can be coded only in a COBOL, C/370, or PL/I application program, is as follows:

```
EXEC DLI function[option[(arg)]]...
```

For multiple segment commands, options are repeated for each segment.

RPG II command format

The format of a CICS command in an RPG II application program consists of an EXEC statement, followed optionally by one or more ELEM statements, coded on an RPG calculation specification form (the C-spec).

Application Programming

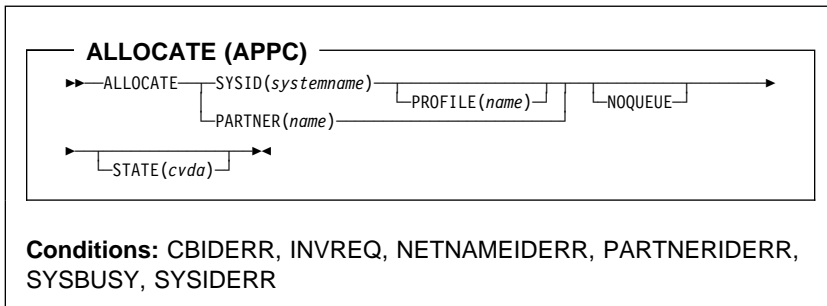
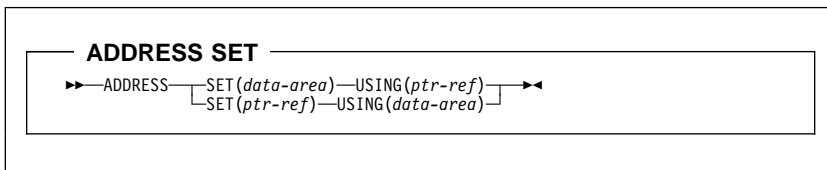
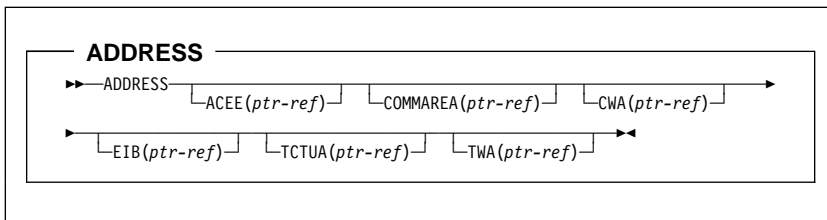
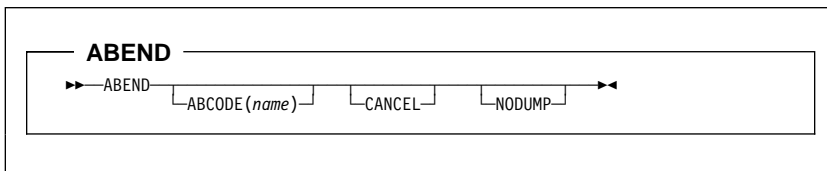
Restrictions for distributed program link (DPL)

The following commands are not supported in a program running in a resource region in response to a distributed program link command:

ADDRESS	ISSUE
ALLOCATE	PURGE MESSAGE
ASSIGN	RECEIVE
CONNECT PROCESS	ROUTE
CONVERSE	SEND
EXTRACT PROCESS	SIGNOFF
FREE CONVID	SIGNON
HANDLE AID	WAIT TERMINAL

API syntax

API command syntax



API syntax

ALLOCATE (LUTYPE6.1)

```
▶▶—ALLOCATE—SESSION(name)—  
SYSID(systemname)—PROFILE(name)—NOQUEUE—▶▶
```

Conditions: CBIDERR, EOC, INVREQ, SESSBUSY, SESSIONERR, SYSBUSY, SYSIDERR

ALLOCATE (MRO)

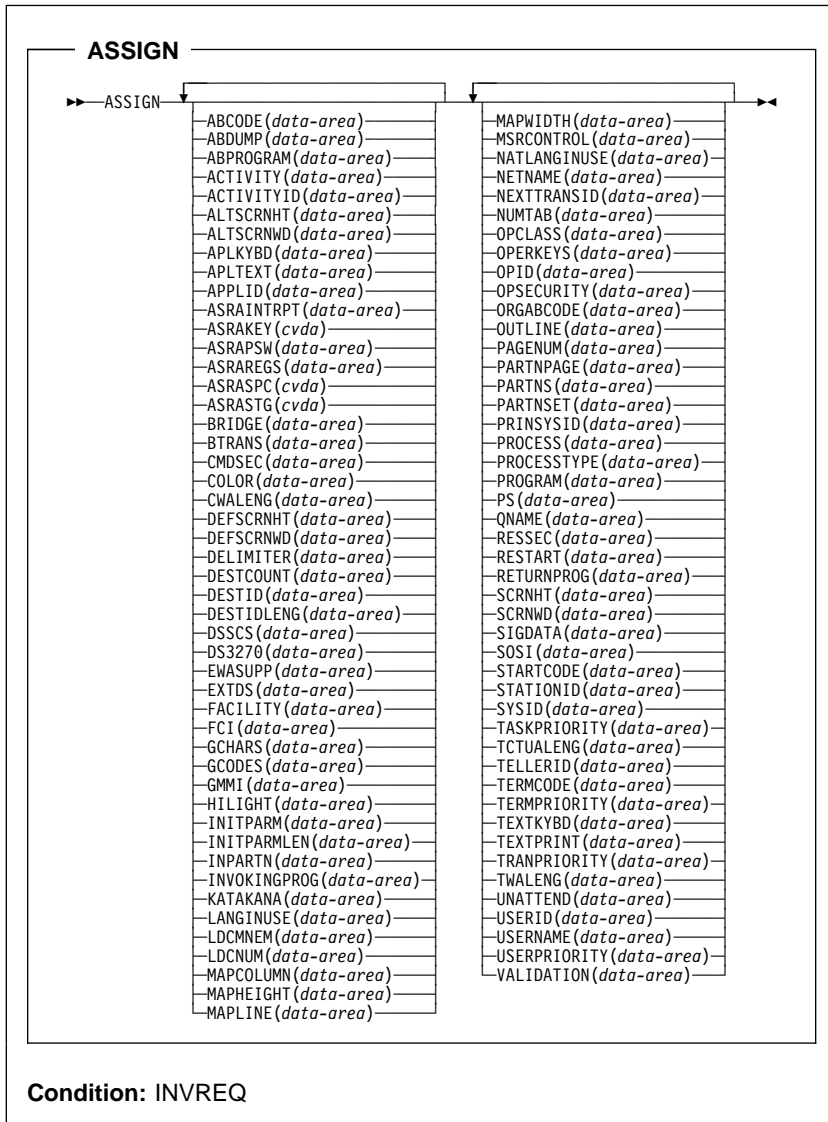
```
▶▶—ALLOCATE—SYSID(systemname)—  
NOQUEUE—STATE(cvda)—▶▶
```

Conditions: INVREQ, SYSBUSY, SYSIDERR

ASKTIME

```
▶▶—ASKTIME—ABSTIME(data-area)—▶▶
```


API syntax



API syntax

BIF DEEDIT

►► BIF DEEDIT—FIELD(*data-area*)—LENGTH(*data-value*)—

Condition: LENGERR

BUILD ATTACH (LUTYPE6.1)

►► BUILD ATTACH—ATTACHID(*name*)—PROCESS(*name*)—RESOURCE(*name*)—
RPROCESS(*name*)—RRESOURCE(*name*)—QUEUE(*name*)—
IUTYPE(*data-value*)—DATASTR(*data-value*)—
RECFM(*data-value*)—

BUILD ATTACH (MRO)

►► BUILD ATTACH—ATTACHID(*name*)—PROCESS(*name*)—RESOURCE(*name*)—
RPROCESS(*name*)—RRESOURCE(*name*)—QUEUE(*name*)—
IUTYPE(*data-value*)—DATASTR(*data-value*)—
RECFM(*data-value*)—

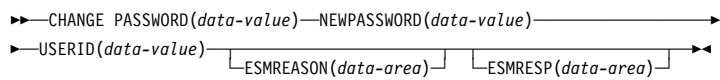
CANCEL

►► CANCEL—REQID(*name*)—SYSID(*systemname*)—TRANSID(*name*)—

Conditions: ISCINVREQ, NOTAUTH, NOTFND, SYSIDERR

API syntax

CHANGE PASSWORD



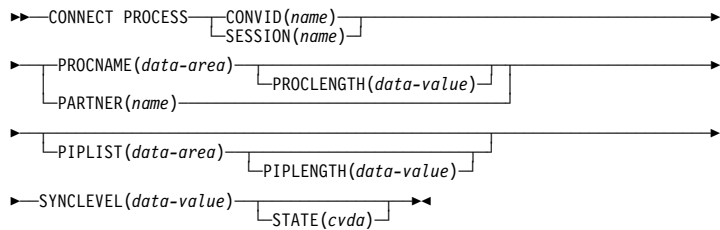
Conditions: INVREQ, NOTAUTH, USERIDERR

CHANGE TASK



Condition: INVREQ

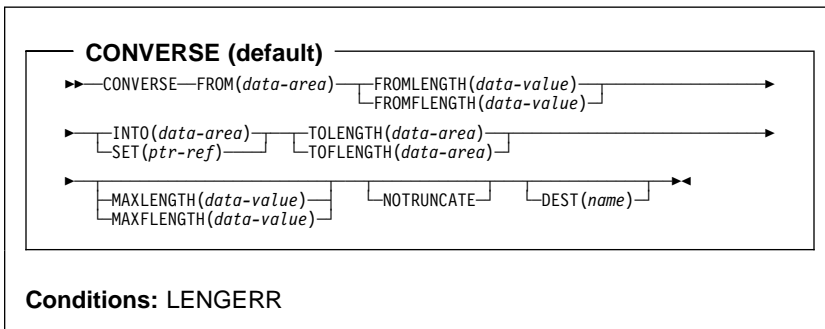
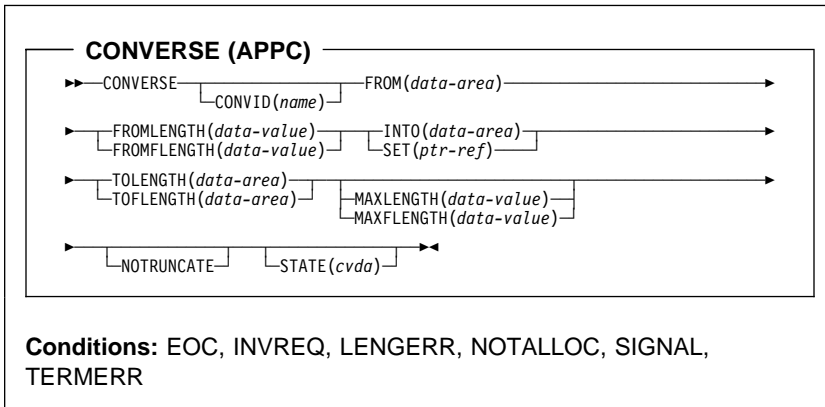
CONNECT PROCESS (APPC)



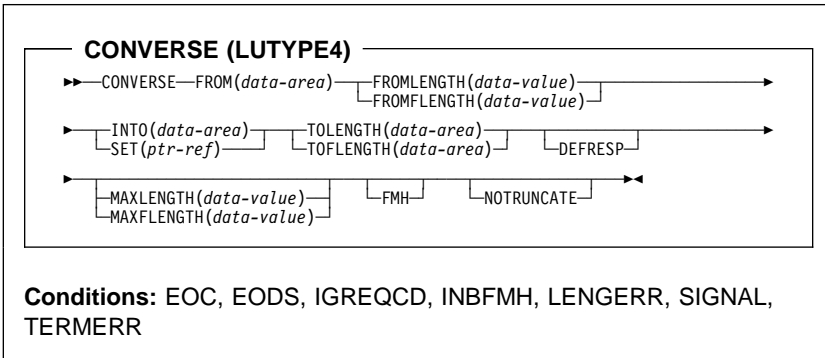
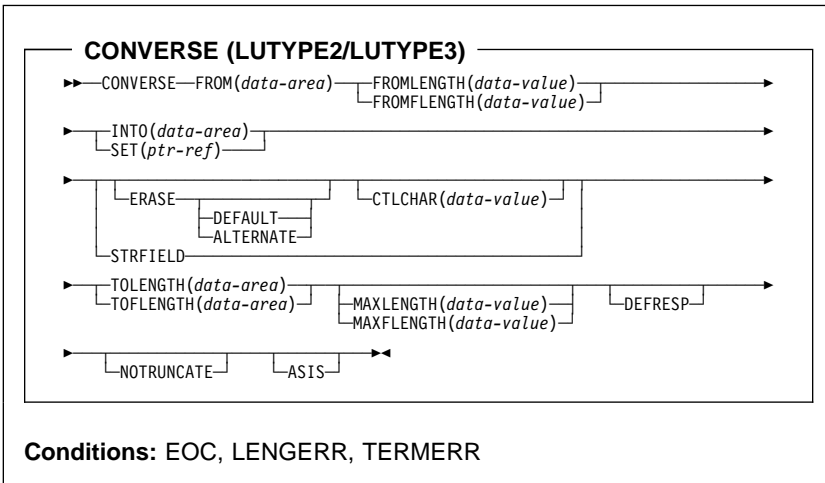
Conditions: INVREQ, LENGERR, NOTALLOC, PARTNERIDERR, TERMERR

API syntax

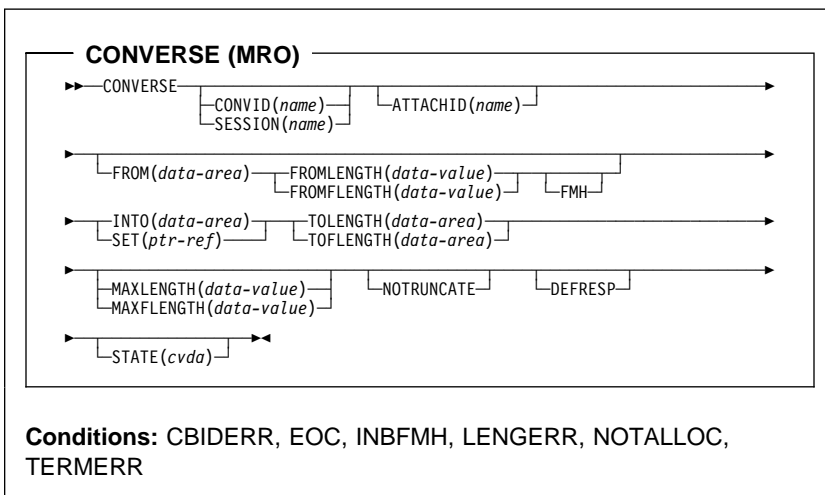
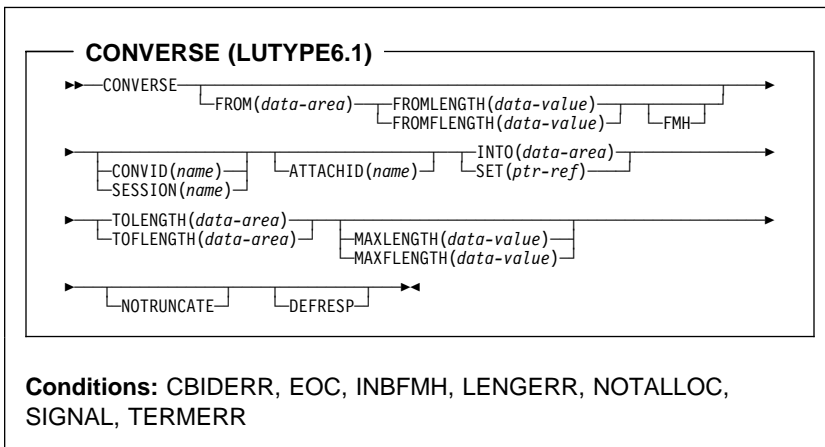
?



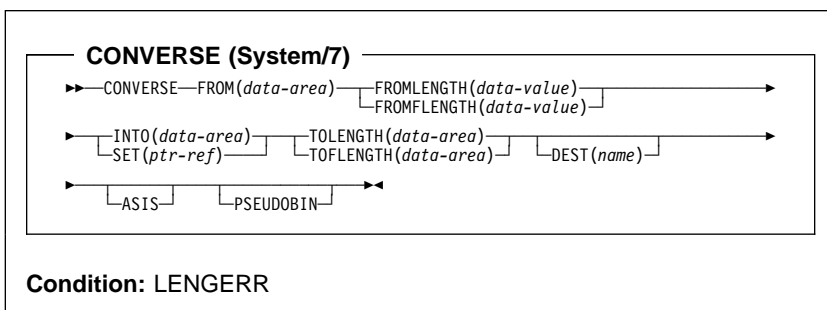
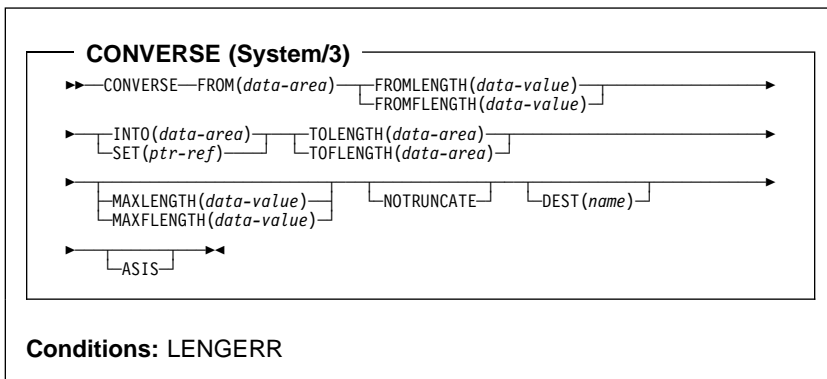
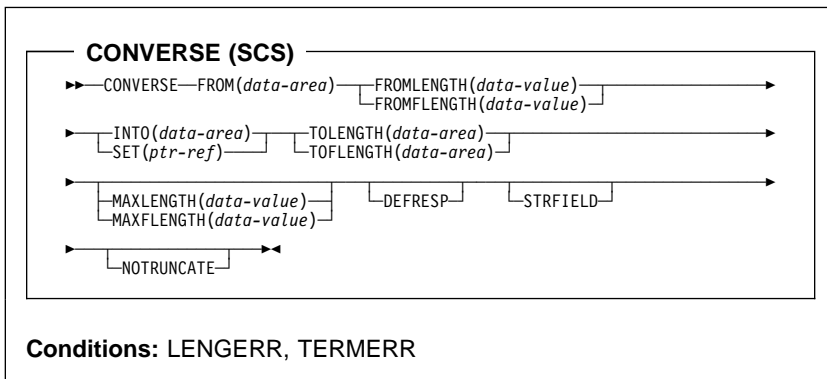
API syntax



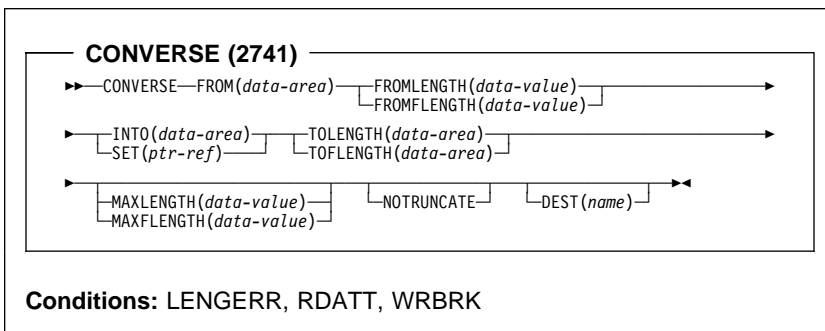
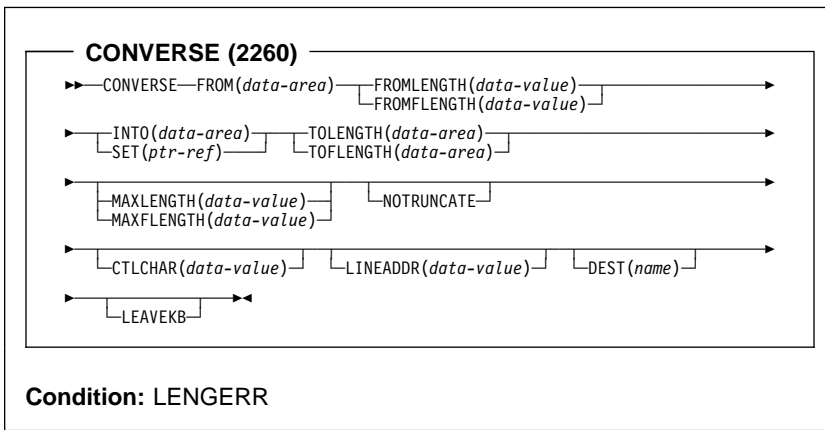
API syntax



API syntax

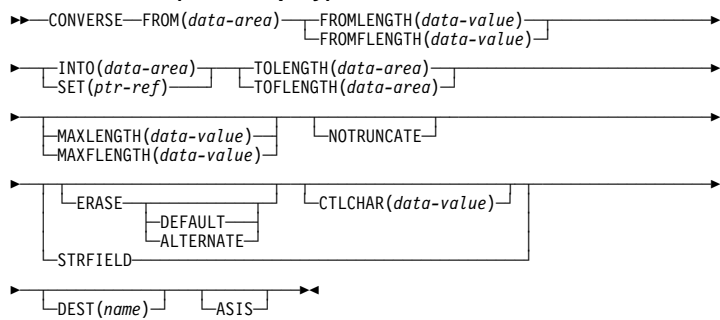


API syntax



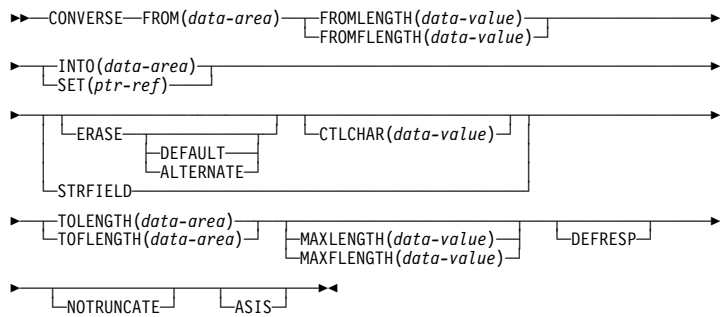
API syntax

CONVERSE (3270 display)



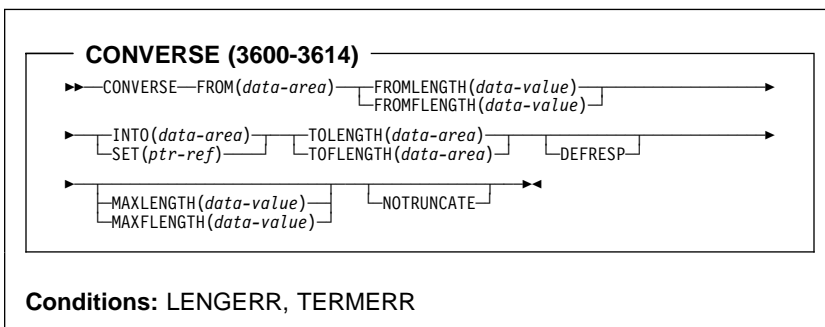
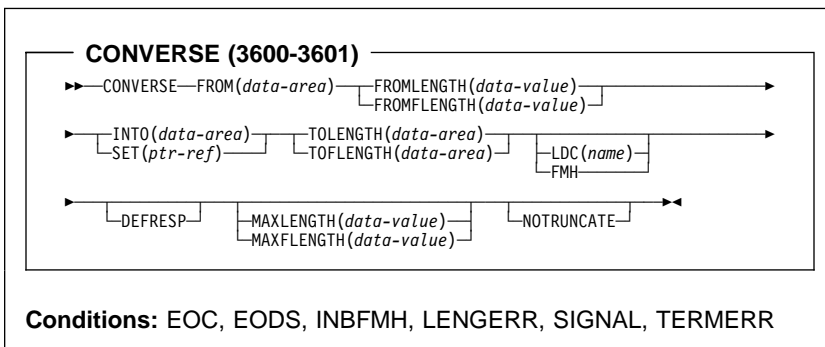
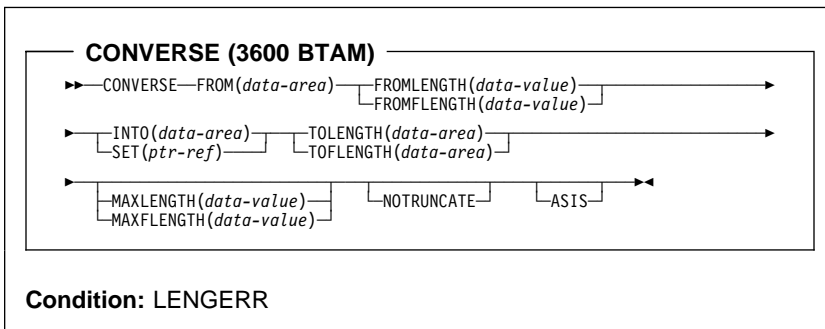
Condition: LENGERR

CONVERSE (3270 logical)



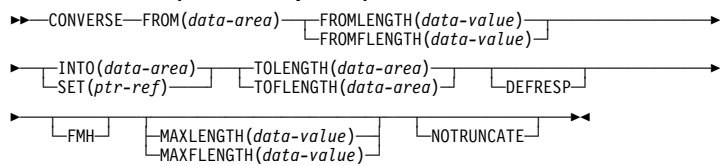
Conditions: INVREQ, LENGERR, TERMERR

API syntax



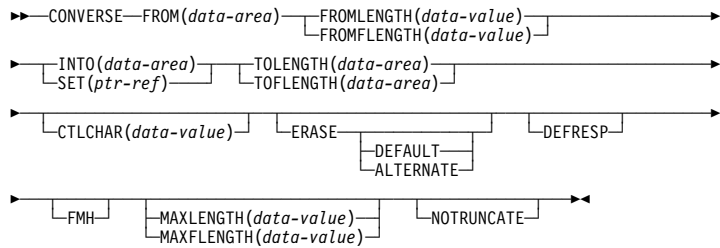
API syntax

CONVERSE (3650 interpreter)



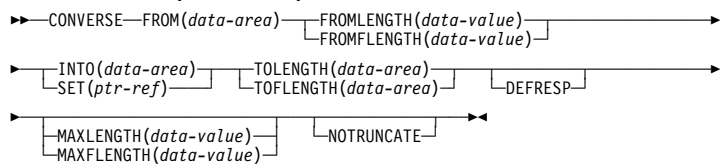
Conditions: EOC, EODS, INBFMH, LENGERR, TERMERR

CONVERSE (3650-3270)



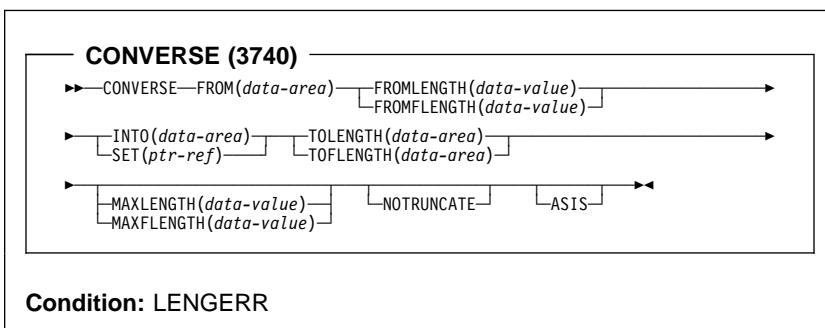
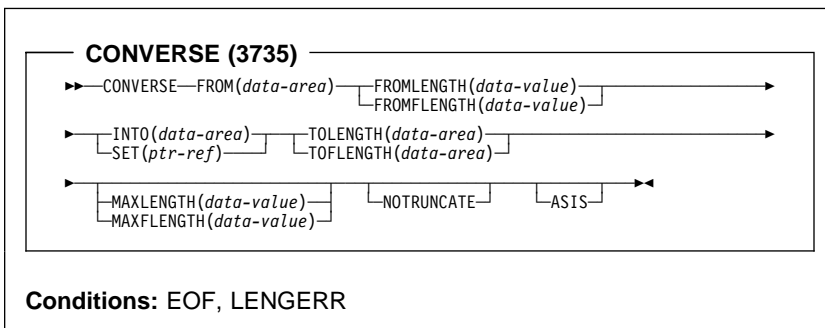
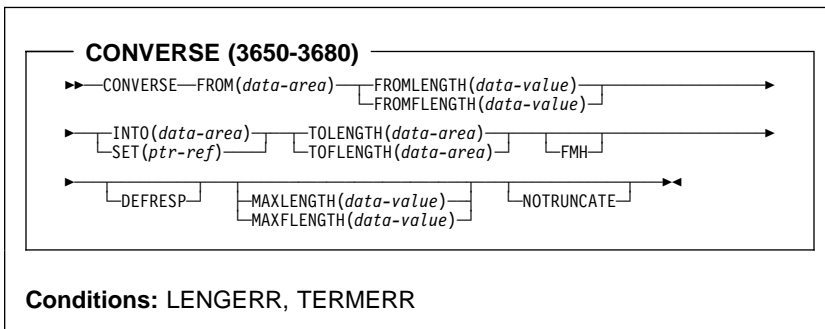
Conditions: LENGERR, TERMERR

CONVERSE (3650-3653)

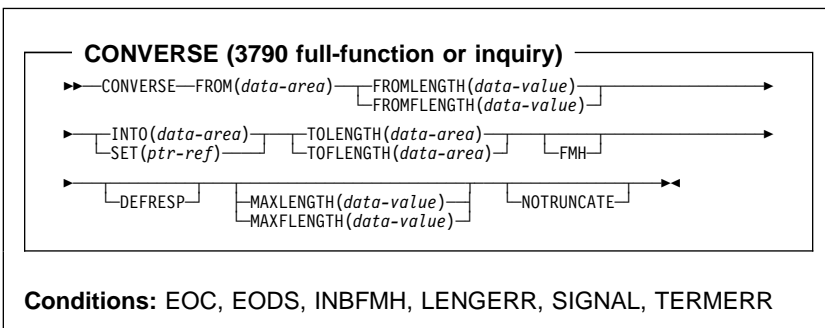
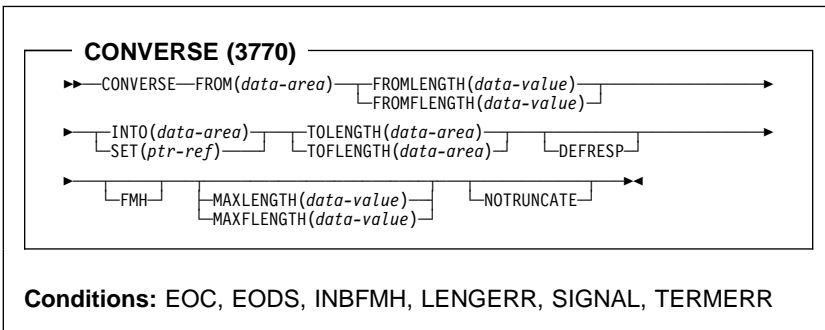
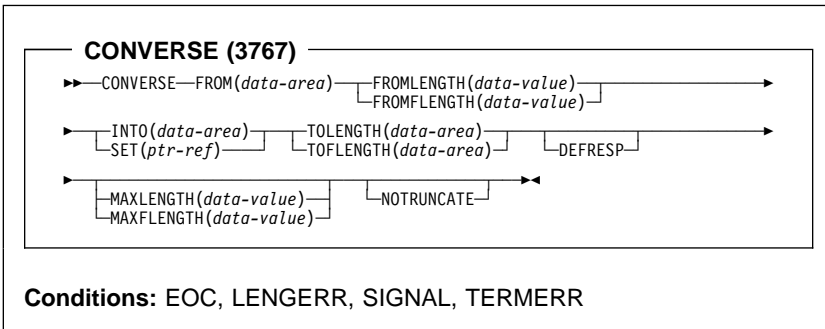


Conditions: EOC, LENGERR, TERMERR

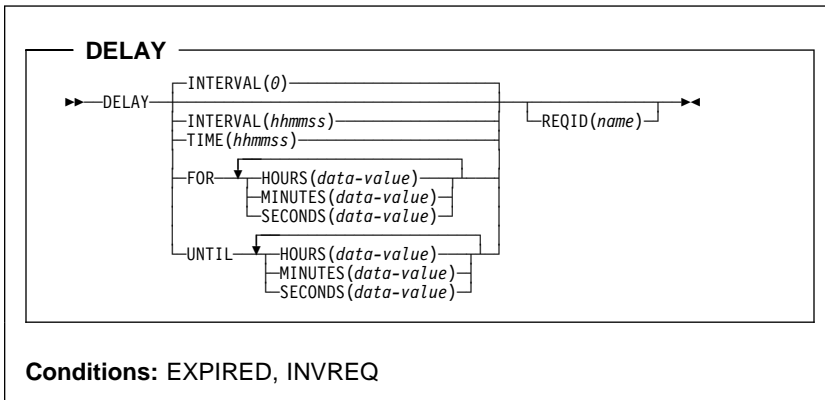
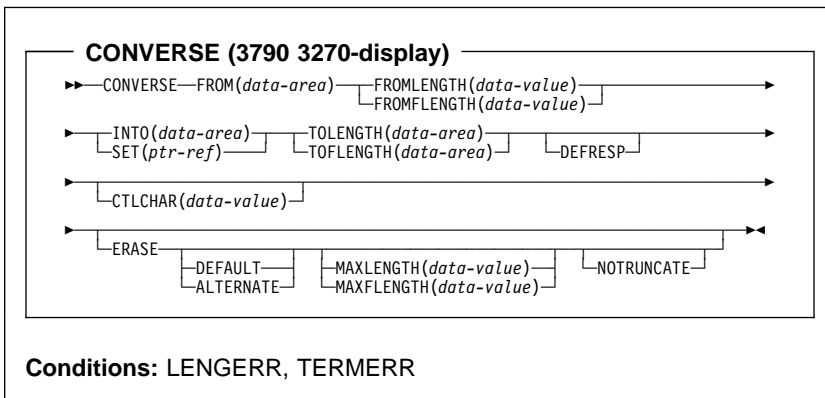
API syntax



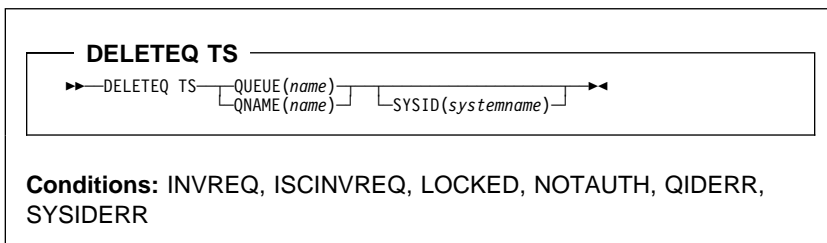
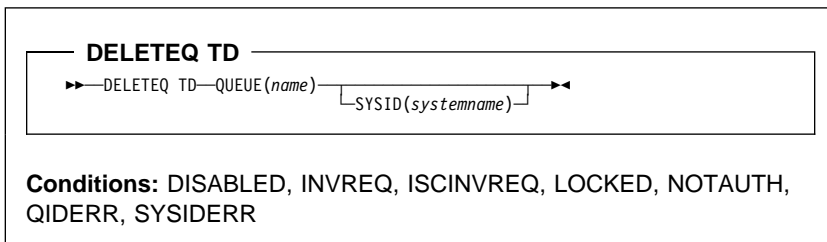
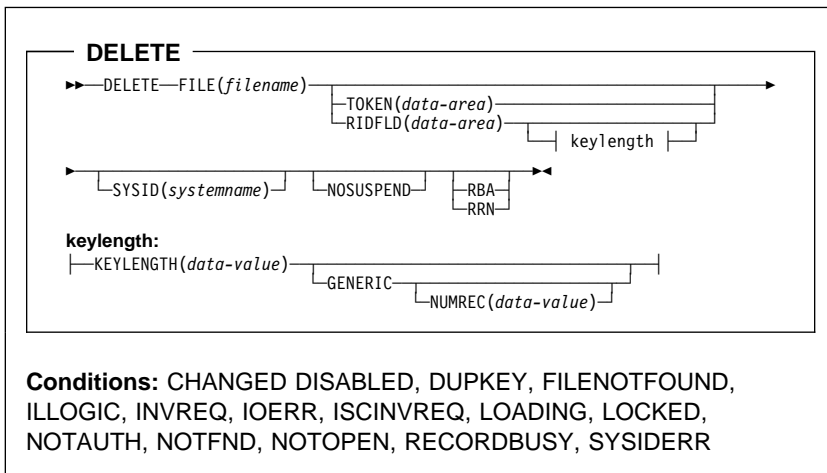
API syntax



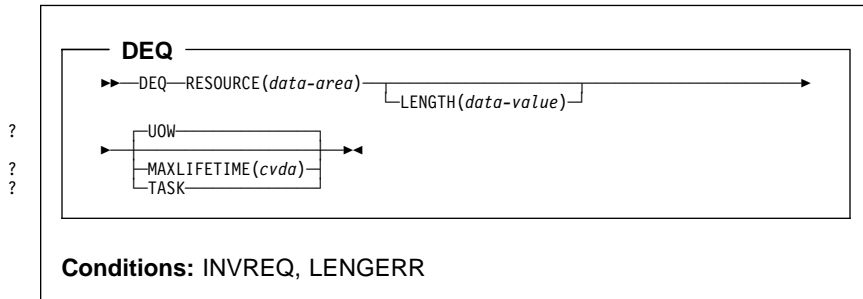
API syntax



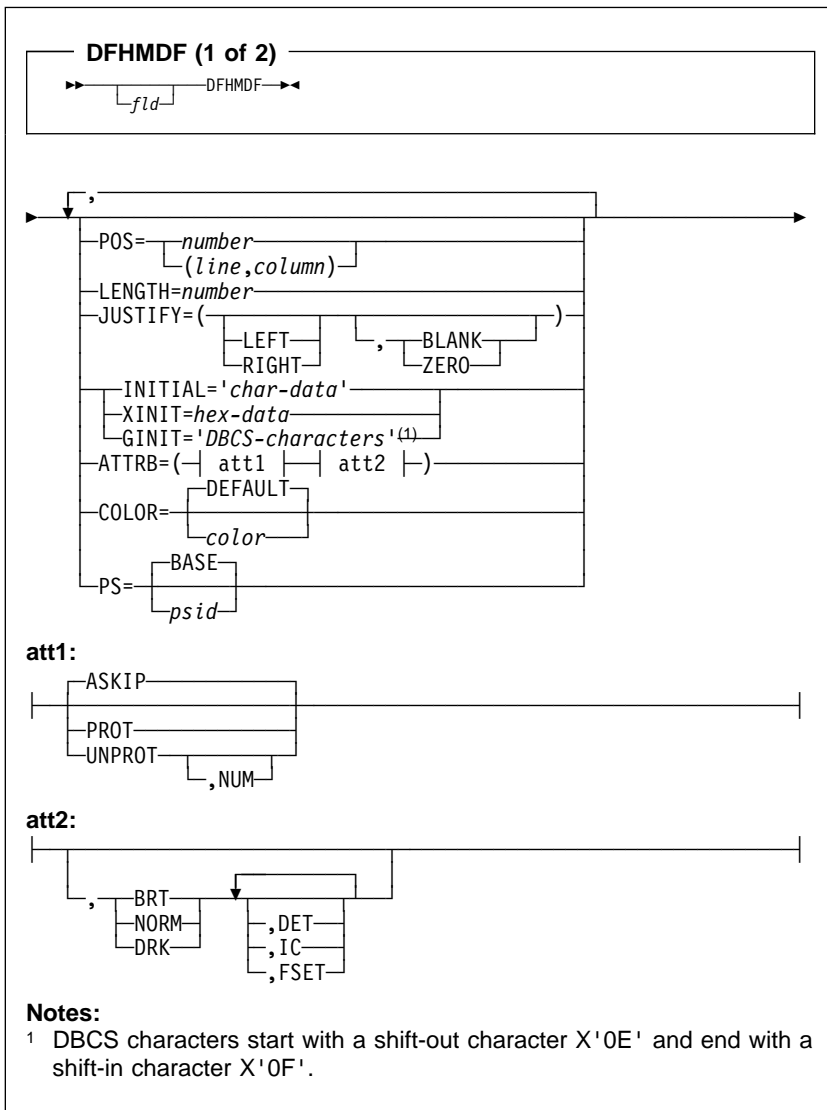
API syntax



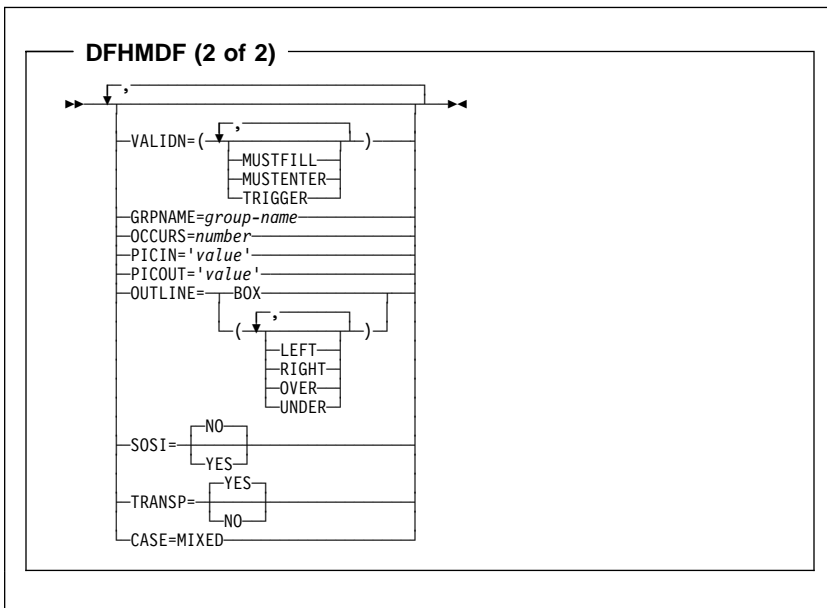
API syntax



API syntax

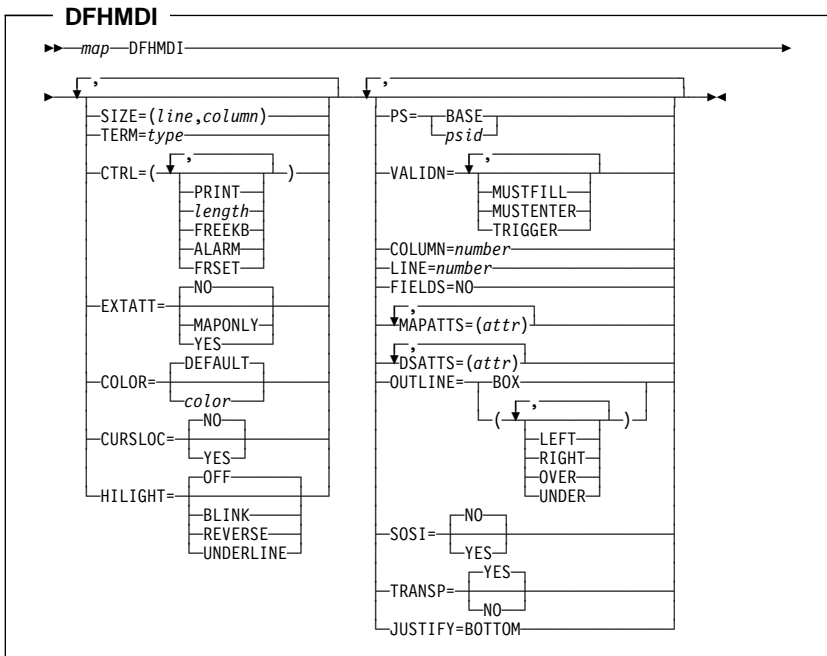


API syntax

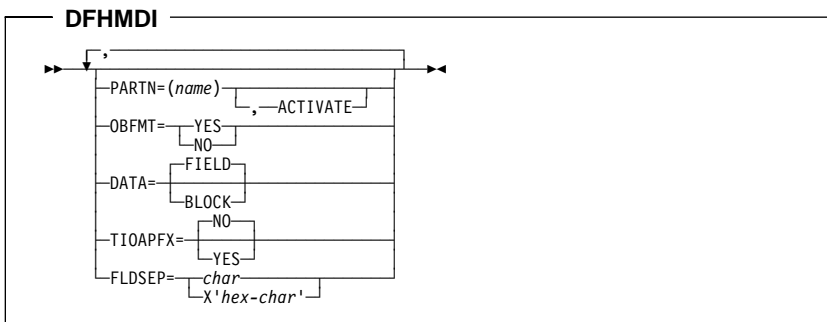


Minimum BMS:

API syntax

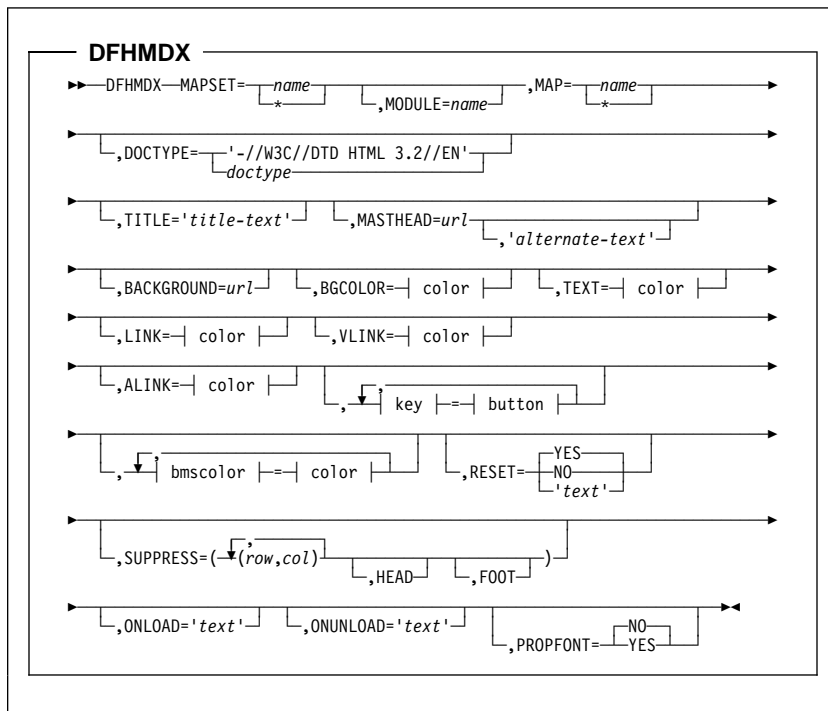
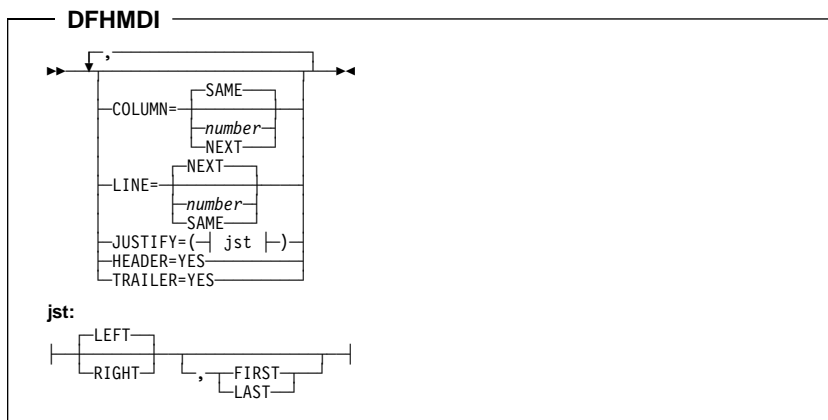


Standard BMS:



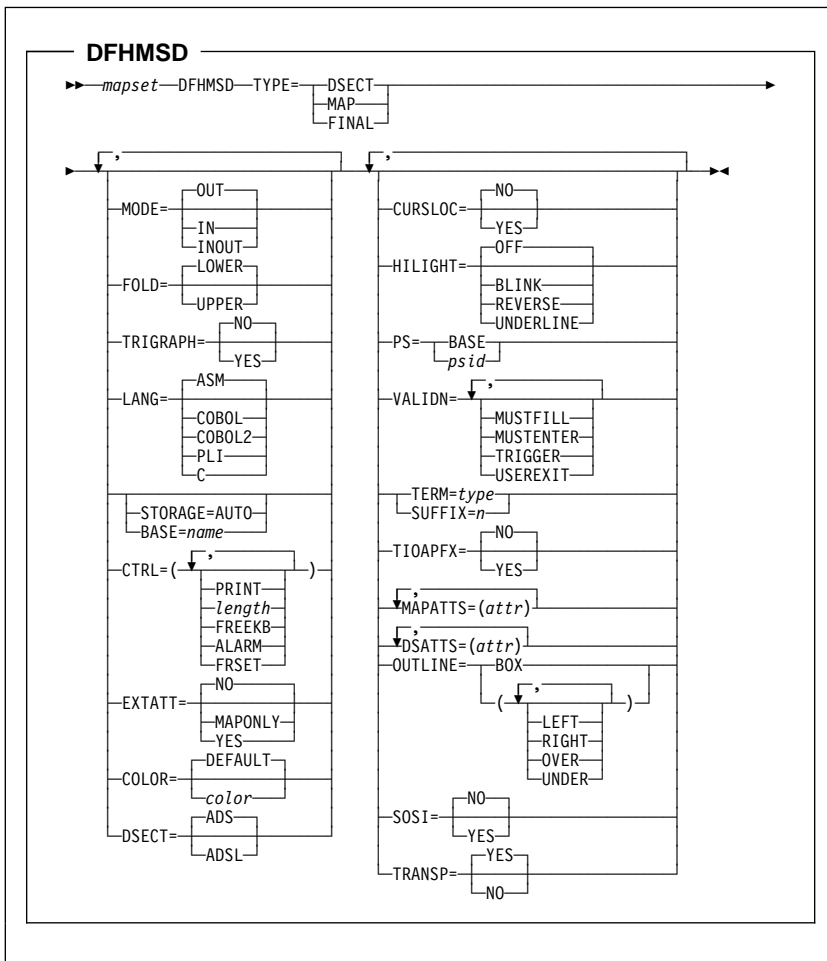
API syntax

Full BMS:



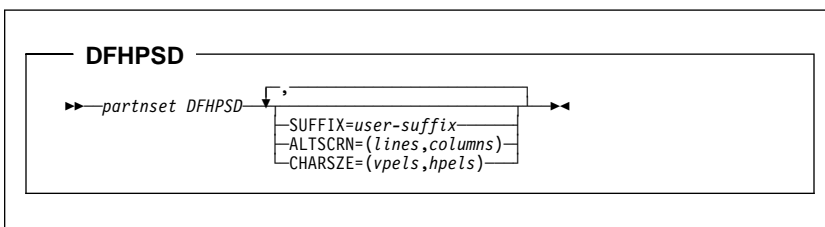
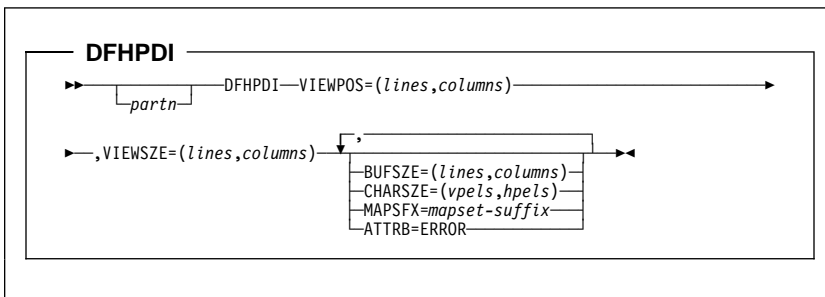
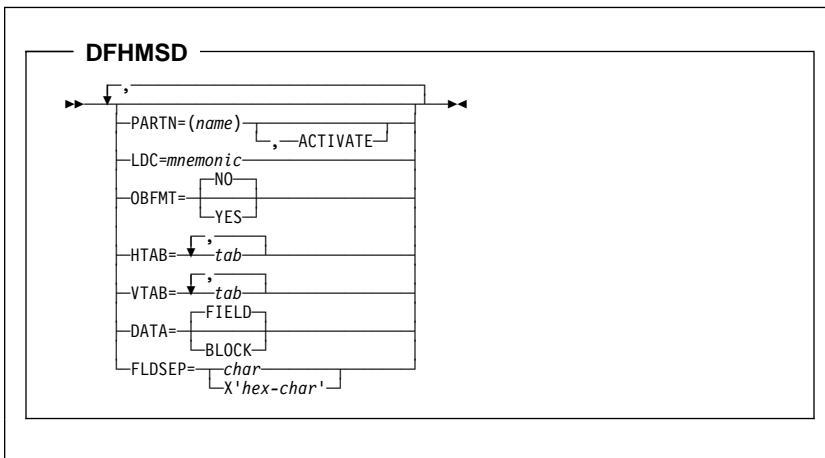
Minimum BMS:

API syntax

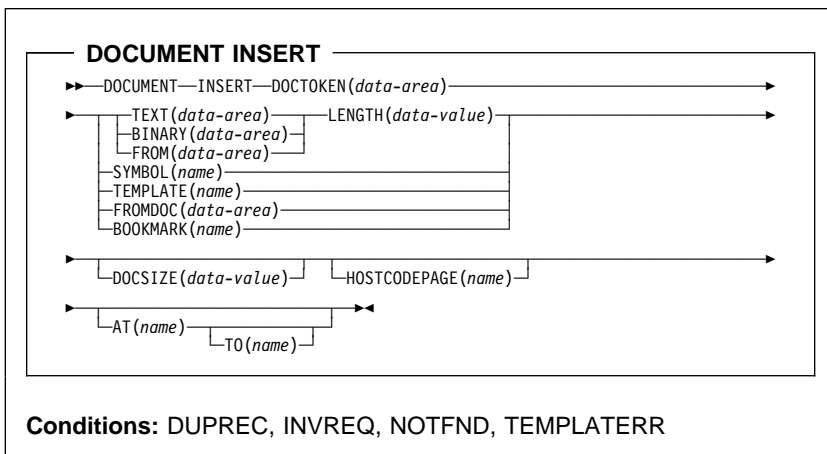
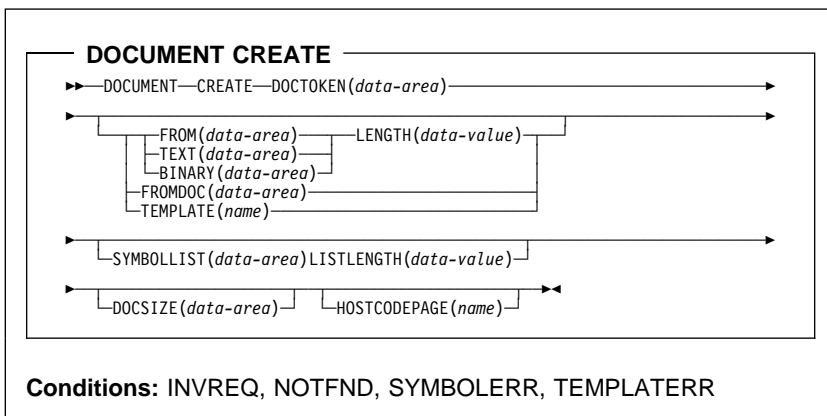
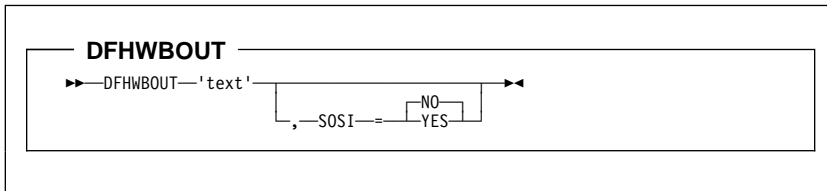


Standard BMS:

API syntax



API syntax



API syntax

DOCUMENT RETRIEVE

```

▶▶ DOCUMENT RETRIEVE DOCTOKEN(data-area) INTO(data-area)
▶ LENGTH(data-value) MAXLENGTH(data-value) CLNTCODEPAGE(name)
▶ DATAONLY

```

Conditions: LENGERR, NOTFND

DOCUMENT SET

```

▶▶ DOCUMENT SET DOCTOKEN(data-area)
▶ SYMBOL(name) VALUE(data-area) LENGTH(data-value)
  SYMBOLLIST(data-area)

```

Conditions: NOTFND, SYMBOLERR

DUMP TRANSACTION

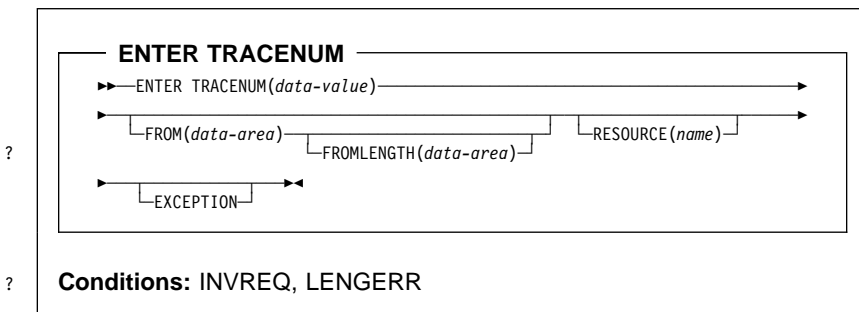
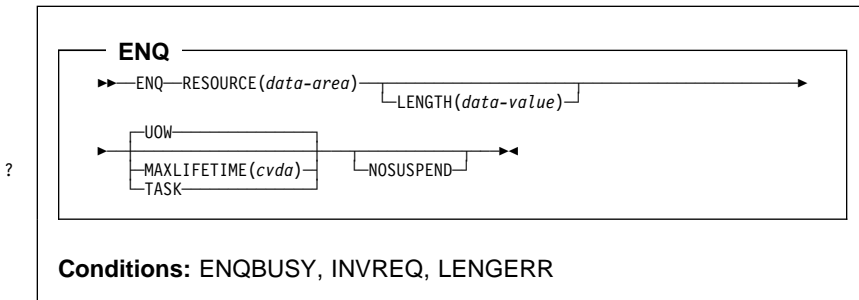
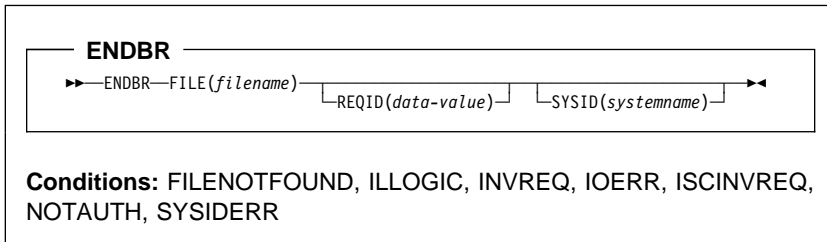
```

▶▶ DUMP TRANSACTION DUMPCODE(name)
▶ FROM(data-area) LENGTH(data-value) COMPLETE
  FLENGTH(data-value)
▶ TRT
▶ segmentlist LENGTHLIST(data-area) NUMSEGMENTS(data-area)
▶ TASK STORAGE PROGRAM TERMINAL
▶ TABLES DCT FCT PCT PPT SIT
▶ TCT DUMPID(data-area)
segmentlist:
  SEGMENTLIST(data-area)

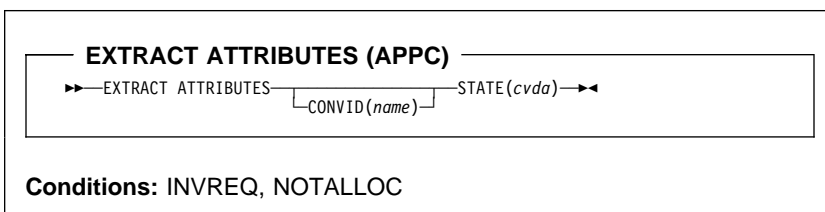
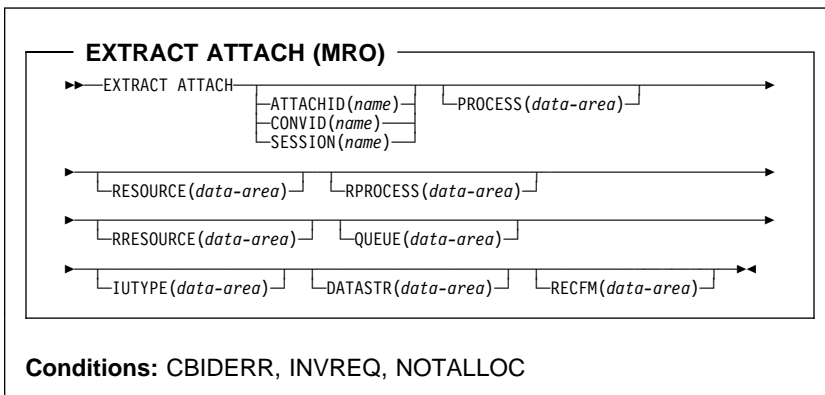
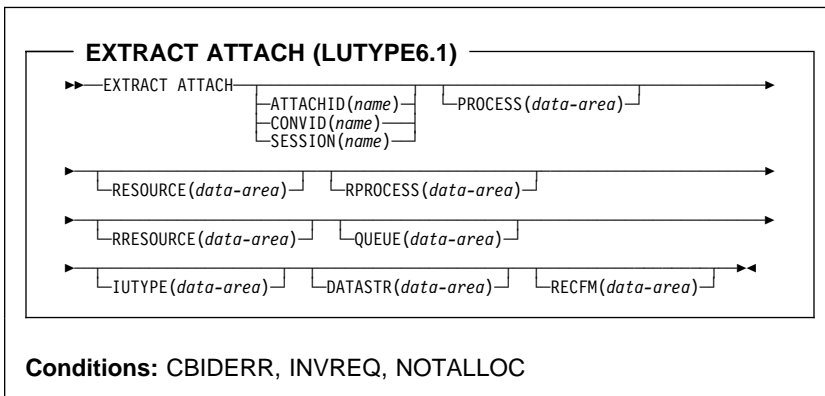
```

Conditions: INVREQ, IOERR, NOSPACE, NOSTG, NOTOPEN, OPENERR, SUPPRESSED

API syntax



API syntax



API syntax

EXTRACT ATTRIBUTES (MRO)

```

▶▶ EXTRACT ATTRIBUTES [CONVID(name) | SESSION(name)] STATE(cvda) ▶▶
  
```

Conditions: INVREQ, NOTALLOC

EXTRACT CERTIFICATE

```

▶▶ EXTRACT CERTIFICATE(ptr-ref) [LENGTH(data-area)] ▶▶
▶ [SERIALNUM(ptr-ref) | SERIALNUMLEN(data-area)] ▶▶
▶ [USERID(ptr-ref) | OWNER | ISSUER | COMMONNAME(ptr-ref)] ▶▶
▶ [COMMONNAMLEN(data-area) | COUNTRY(ptr-ref)] ▶▶
▶ [COUNTRYLEN(data-area) | STATE(ptr-ref)] ▶▶
▶ [STATELEN(data-area) | LOCALITY(ptr-ref)] ▶▶
▶ [LOCALITYLEN(data-area) | ORGANIZATION(ptr-ref)] ▶▶
▶ [ORGANIZATLEN(data-area) | ORGUNIT(ptr-ref)] ▶▶
▶ [ORGUNITLEN(data-area)] ▶▶
  
```

Conditions: INVREQ, LENGERR

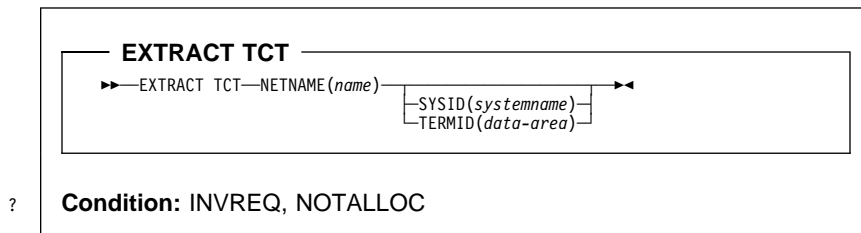
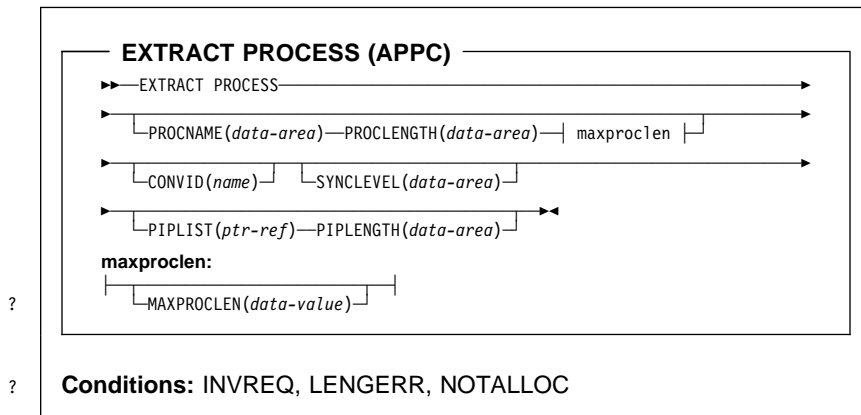
EXTRACT LOGONMSG

```

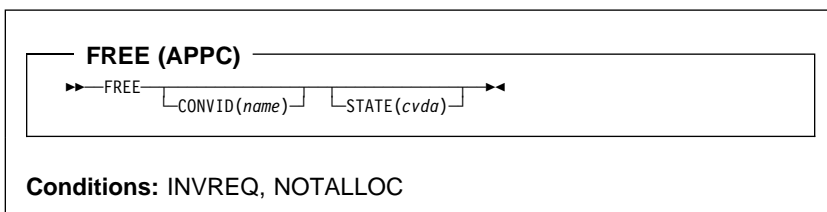
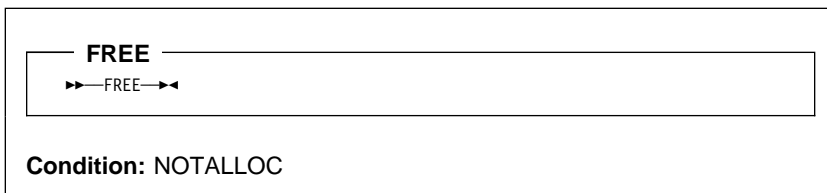
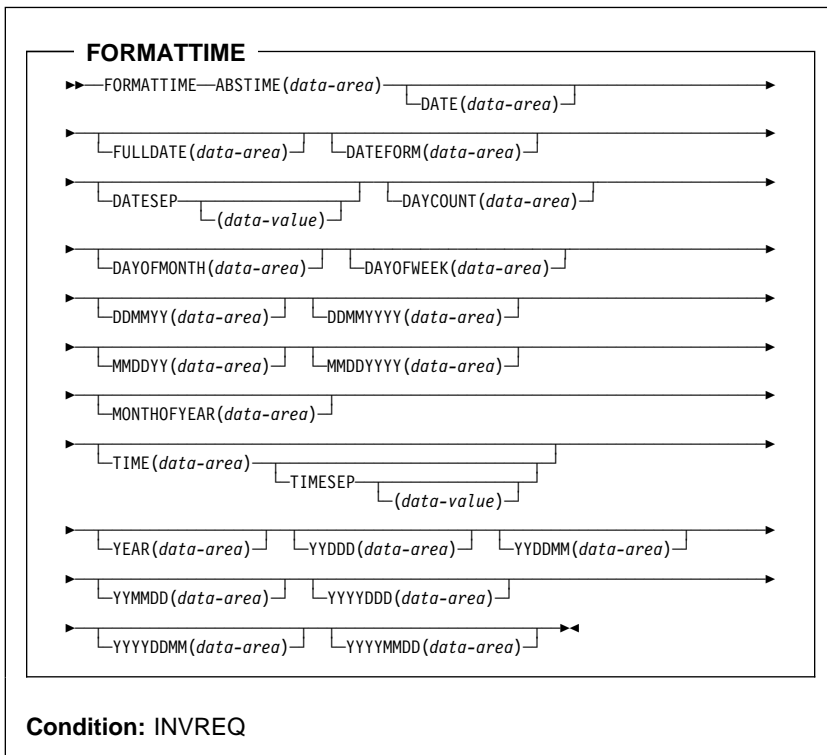
▶▶ EXTRACT LOGONMSG [INTO(data-area) | SET(ptr-ref)] LENGTH(data-area) ▶▶
  
```

Condition: NOTALLOC

API syntax

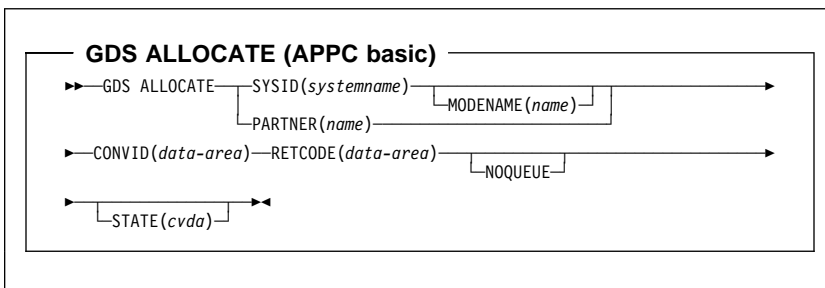
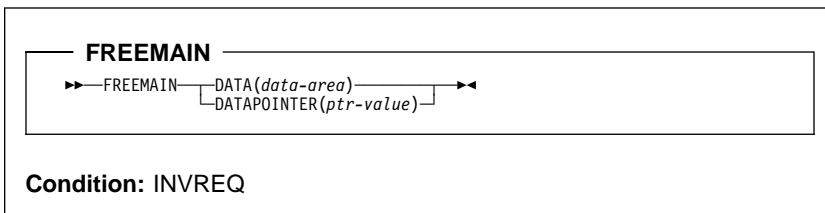
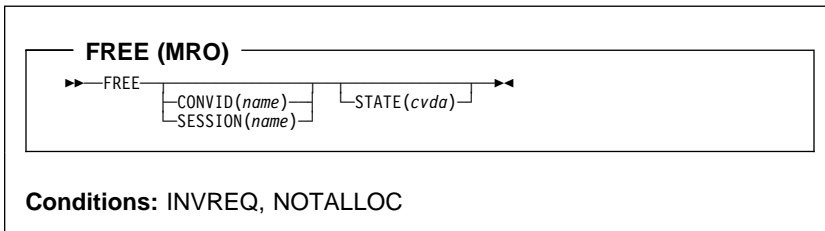
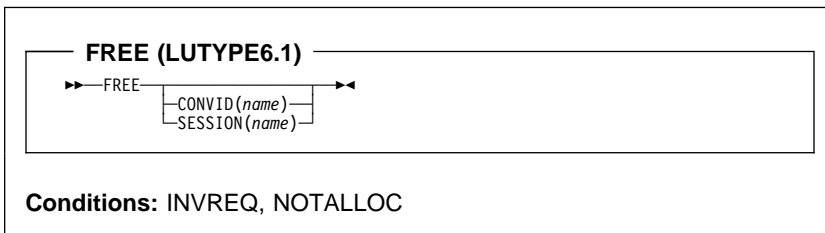


API syntax



?

API syntax



API syntax

GDS ASSIGN (APPC basic)

```

▶▶ GDS ASSIGN — PRINCONVID(data-area) — PRINSYSID(data-area) —
▶ RETCODE(data-area) —◀◀
  
```

GDS CONNECT PROCESS (APPC basic)

```

▶▶ GDS CONNECT PROCESS — CONVID(name) —
▶ PROCNAME(name) — PROCLENGTH(data-value) —
▶ PARTNER(name) —
▶ PIPLIST(data-area) — PIPLENGTH(data-value) —
▶ SYNCLEVEL(data-value) — CONVDATA(data-area) — RETCODE(data-area) —
▶ STATE(cvda) —◀◀
  
```

GDS EXTRACT ATTRIBUTES (APPC basic)

```

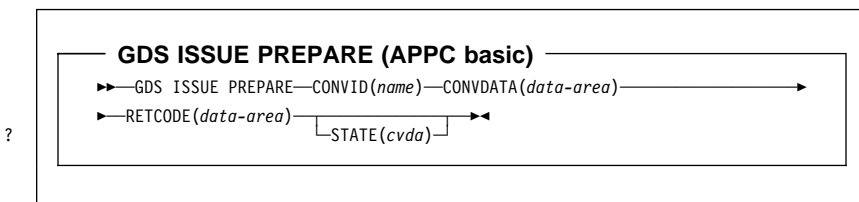
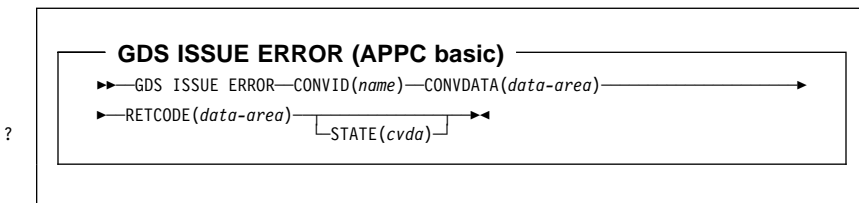
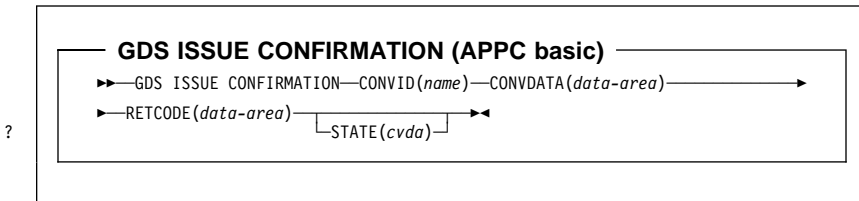
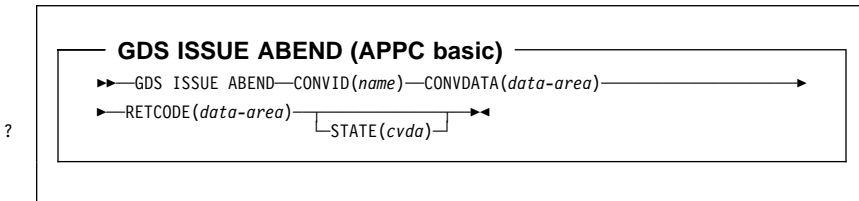
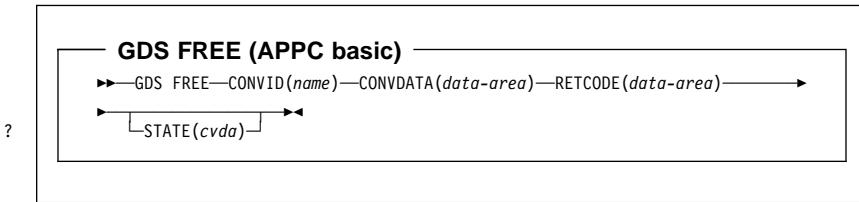
▶▶ GDS EXTRACT ATTRIBUTES — CONVID(name) — STATE(cvda) —
▶ CONVDATA(data-area) — RETCODE(data-area) —◀◀
  
```

GDS EXTRACT PROCESS (APPC basic)

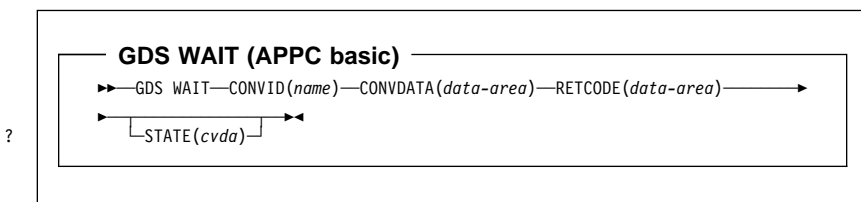
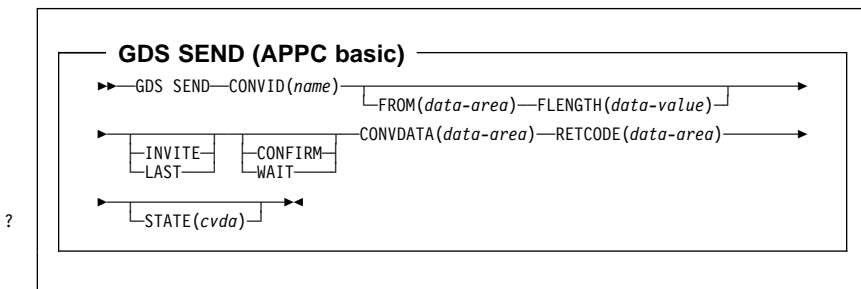
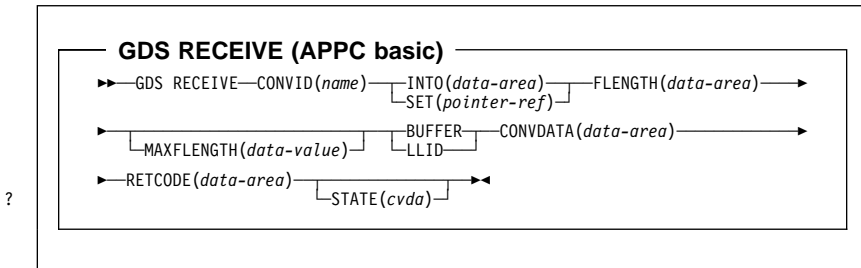
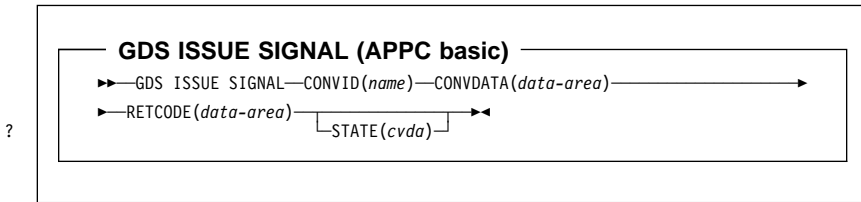
```

▶▶ GDS EXTRACT PROCESS — CONVID(name) —
▶ PROCNAME(data-area) — PROCLENGTH(data-area) — maxproclen —
▶ SYNCLEVEL(data-area) —
▶ PIPLIST(pointer-ref) — PIPLENGTH(data-area) — RETCODE(data-area) —◀◀
maxproclen:
▶ MAXPROCLEN(data-value) —
  
```

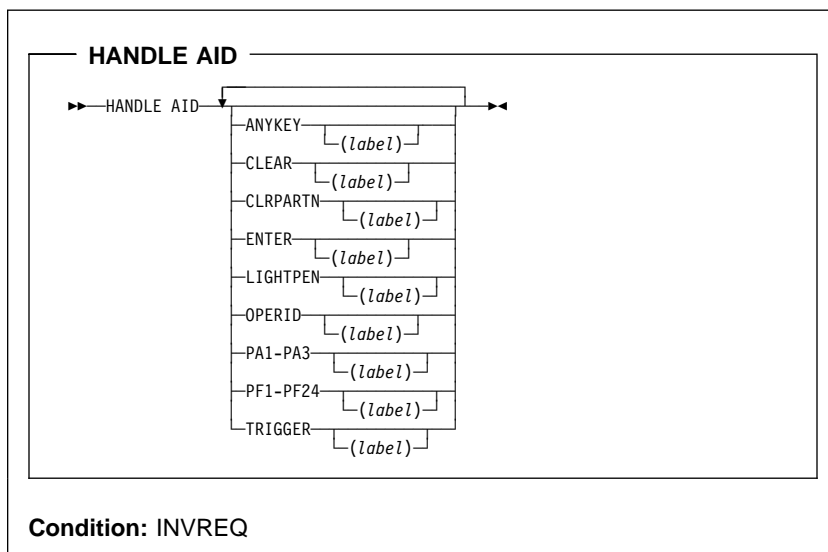
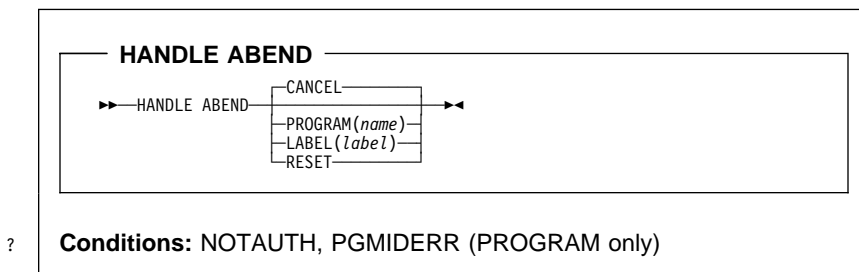
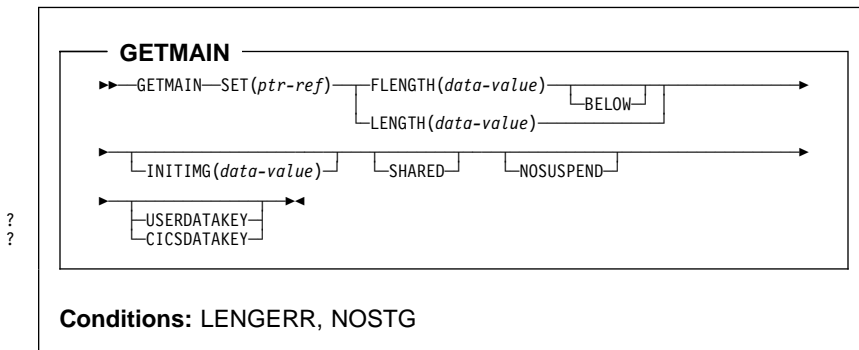
API syntax



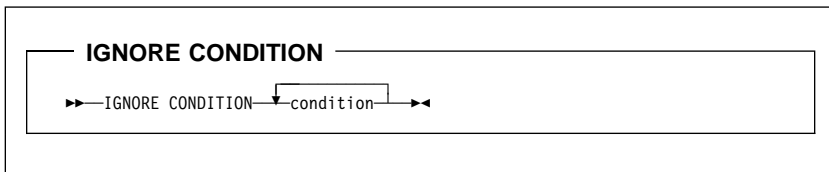
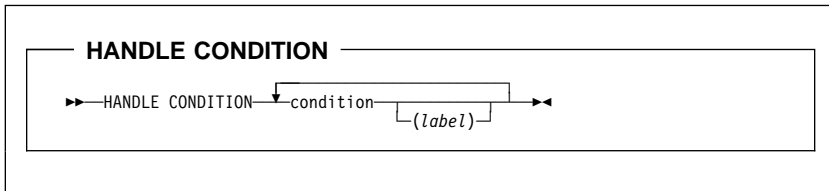
API syntax



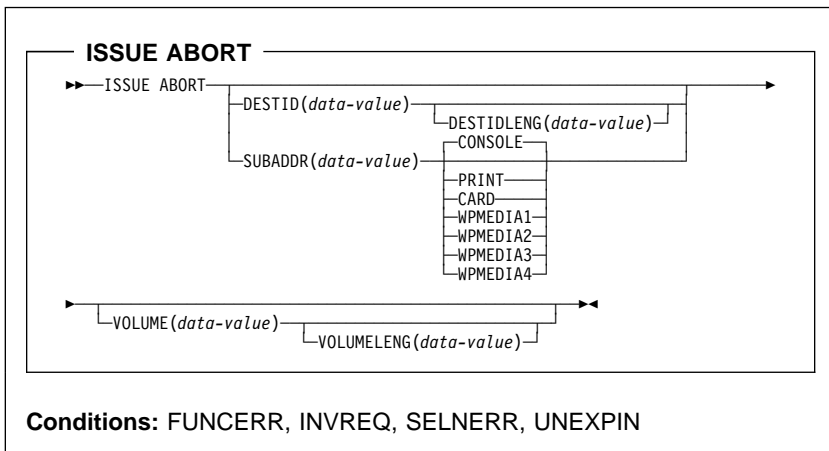
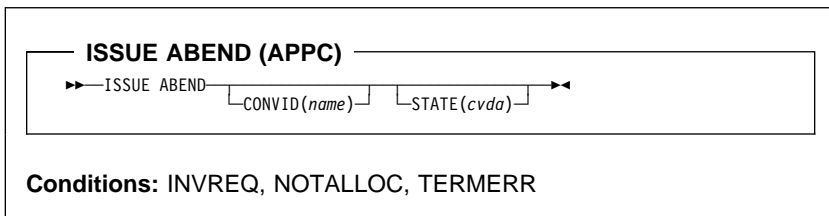
API syntax



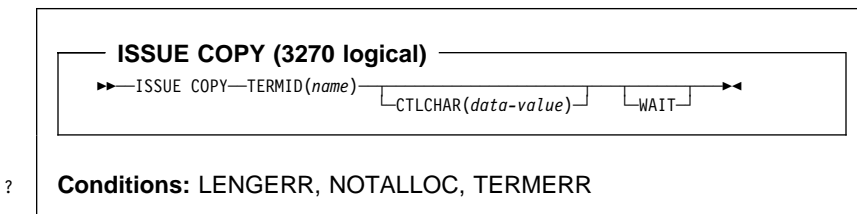
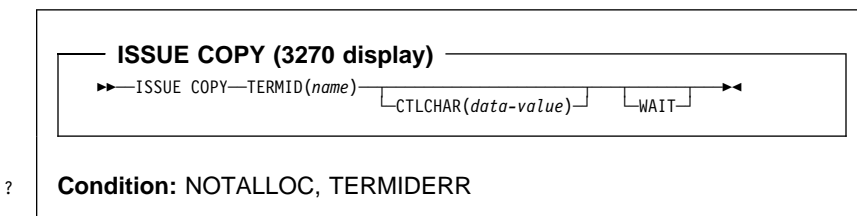
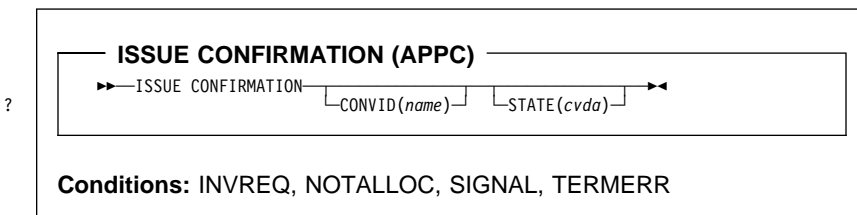
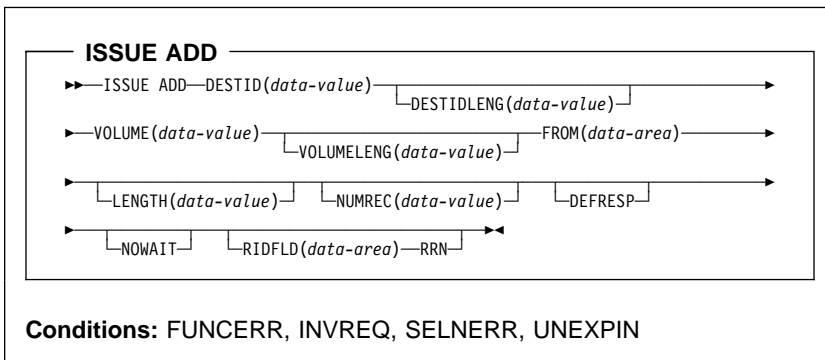
API syntax



?



API syntax



API syntax

ISSUE DISCONNECT (default)

ISSUE DISCONNECT

Conditions: SIGNAL, TERMERR

ISSUE DISCONNECT (LUTYPE6.1)

ISSUE DISCONNECT SESSION(*name*)

Conditions: NOTALLOC, TERMERR

ISSUE END

ISSUE END

DESTID(*data-value*) DESTIDLENG(*data-value*)

SUBADDR(*data-value*)

CONSOLE

PRINT

CARD

WPMEDIA1

WPMEDIA2

WPMEDIA3

WPMEDIA4

VOLUME(*data-value*) VOLUMELENG(*data-value*)

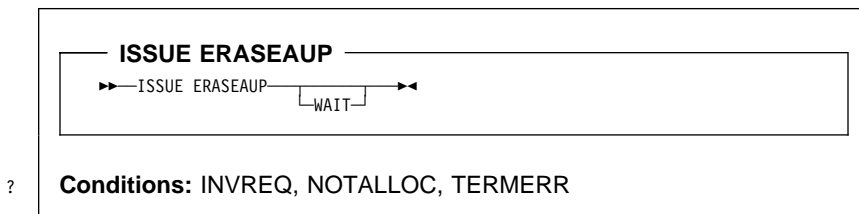
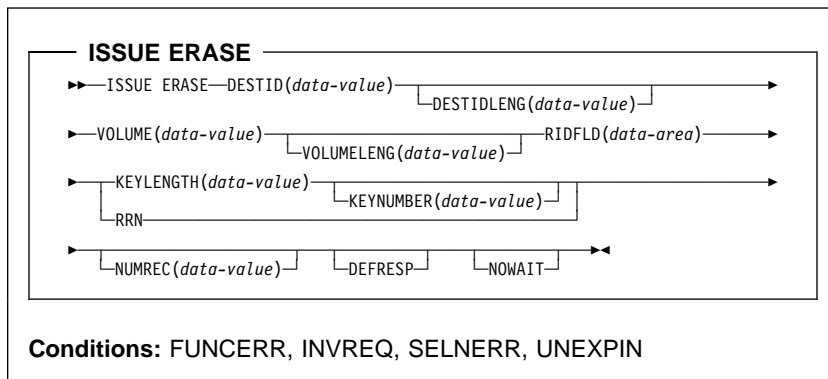
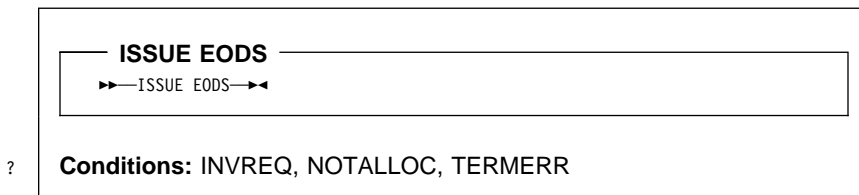
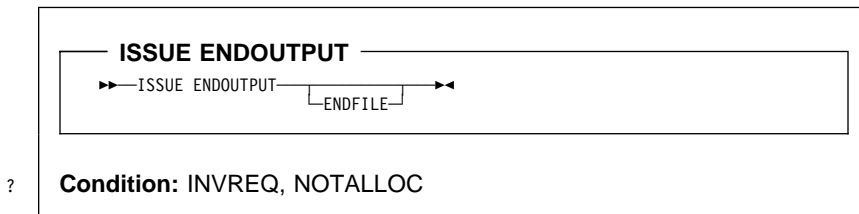
Conditions: FUNCERR, INVREQ, SELNERR, UNEXPIN

ISSUE ENDFILE

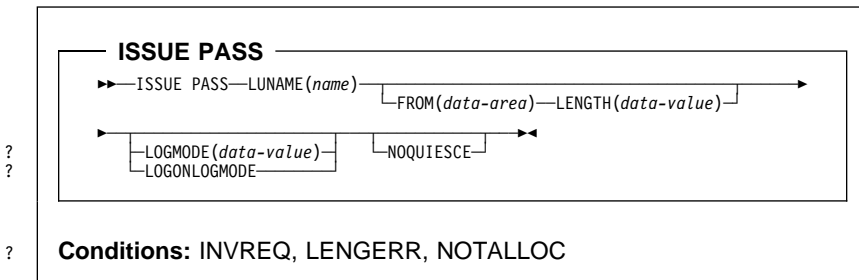
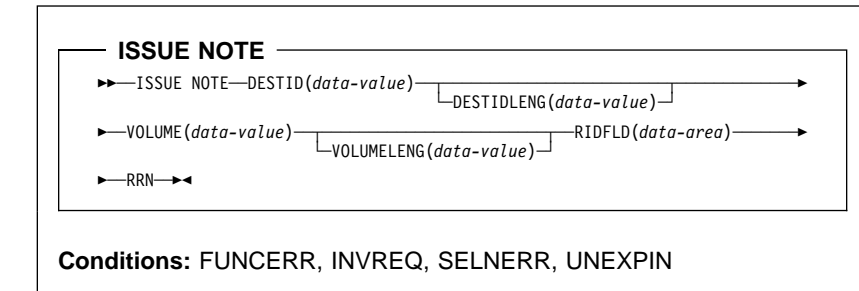
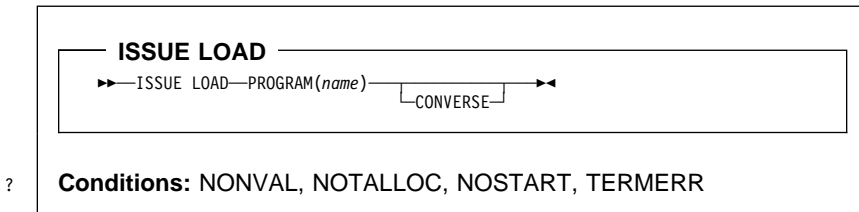
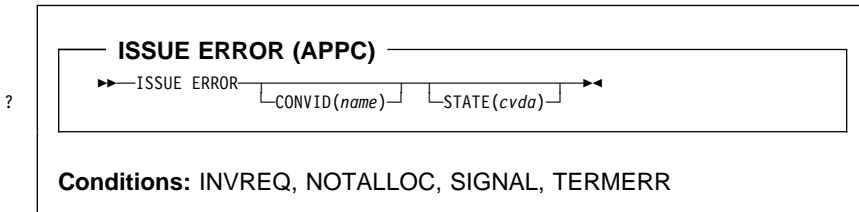
ISSUE ENDFILE ENDOUTPUT

Condition: INVREQ, NOTALLOC

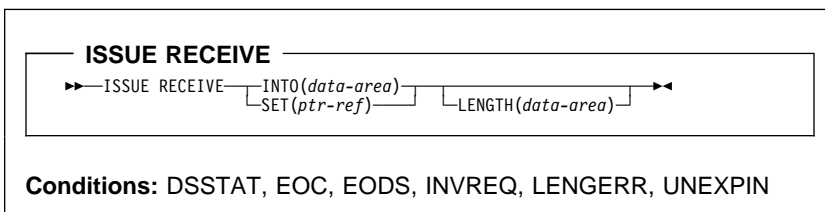
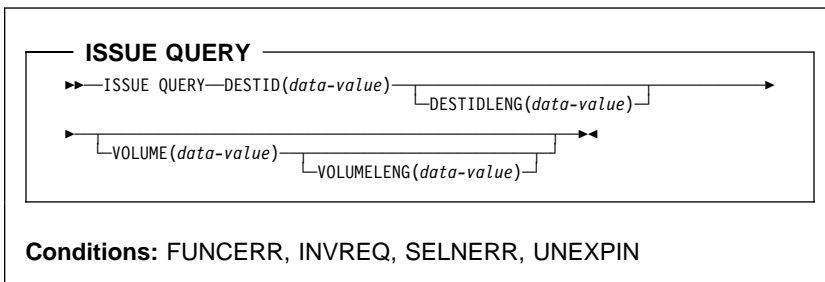
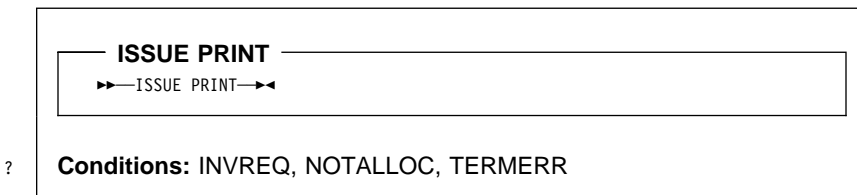
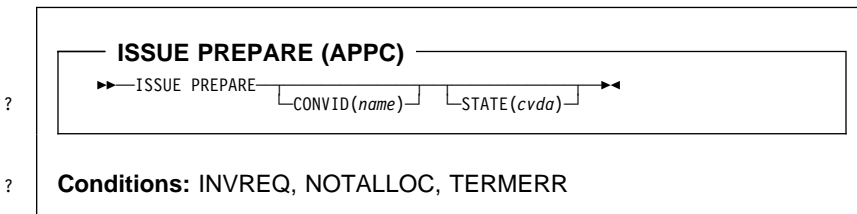
API syntax



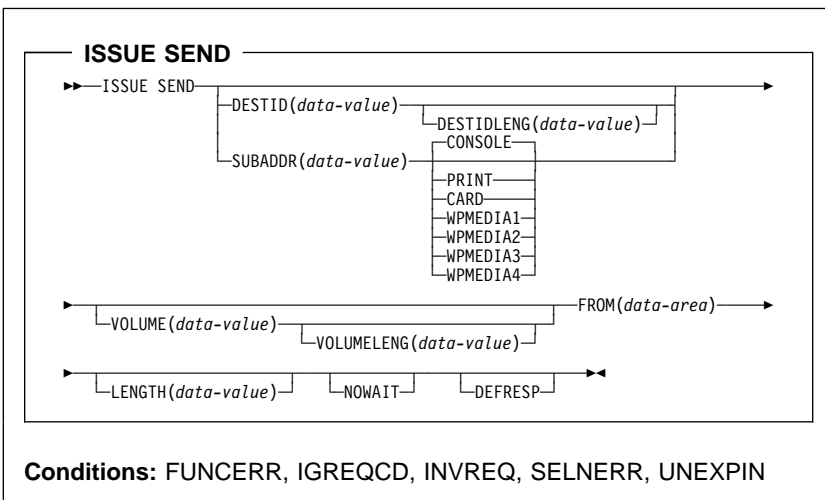
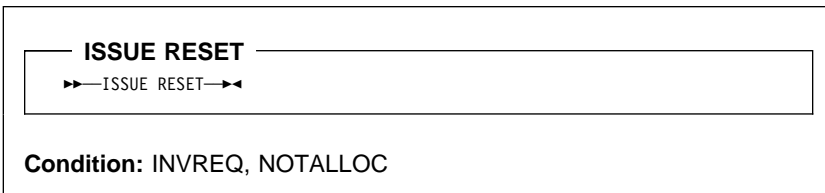
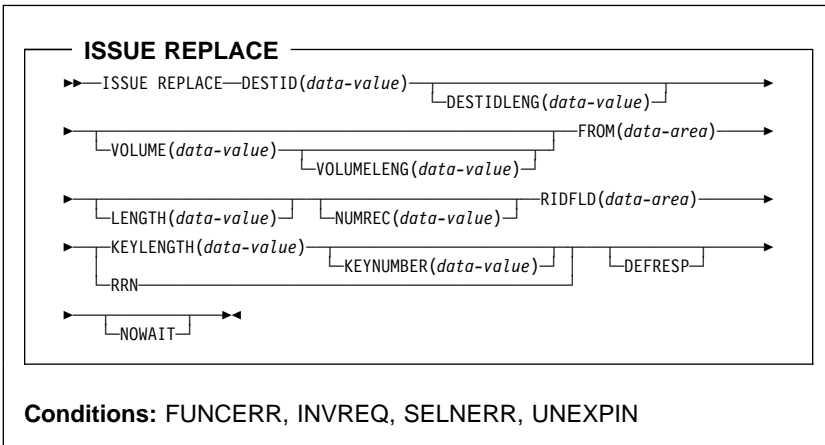
API syntax



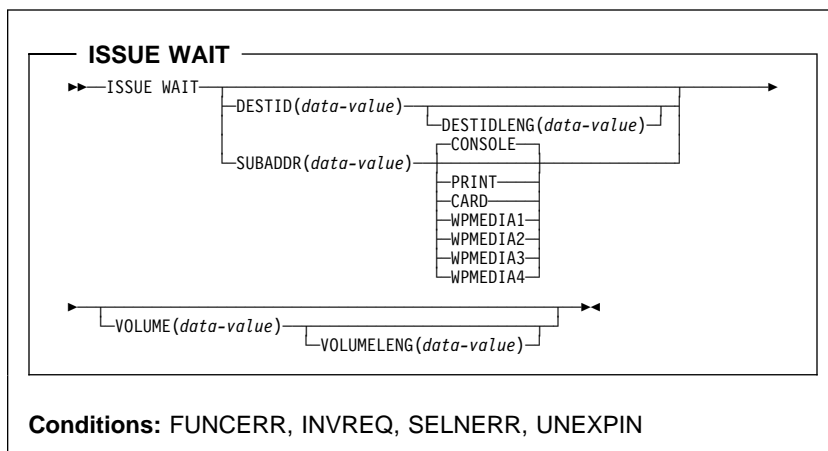
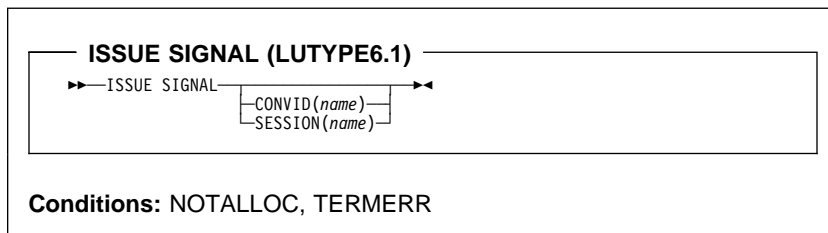
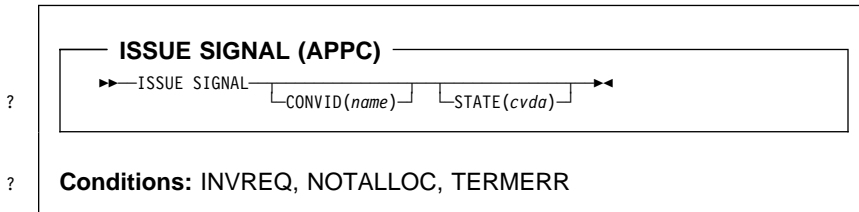
API syntax



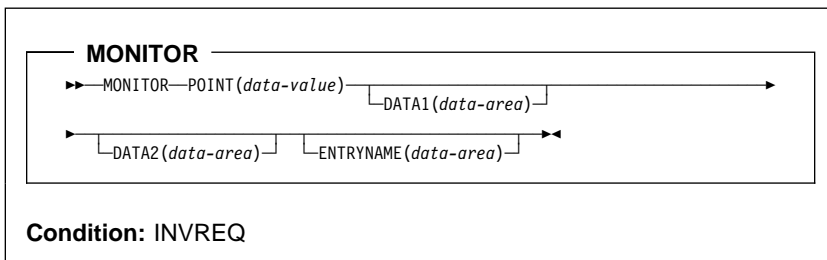
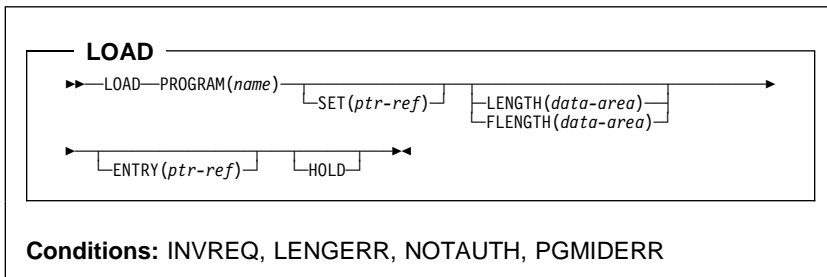
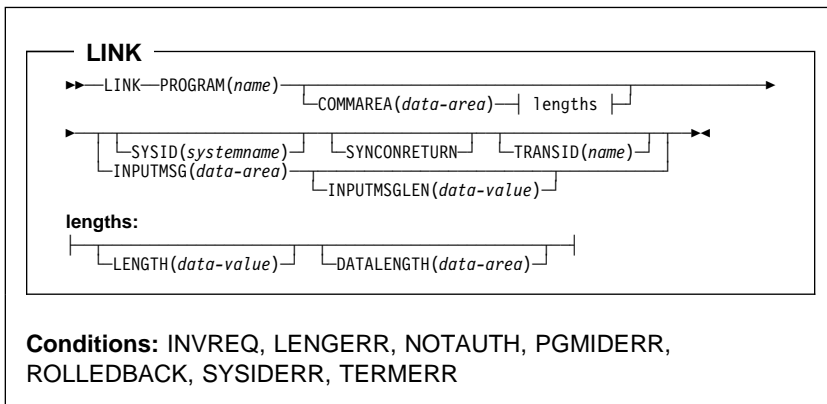
API syntax



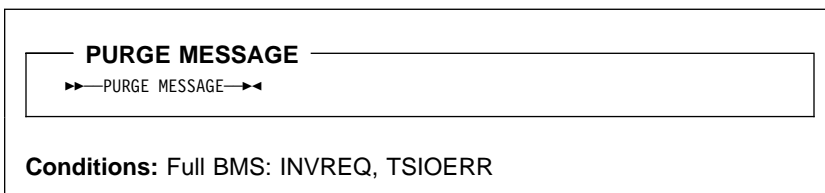
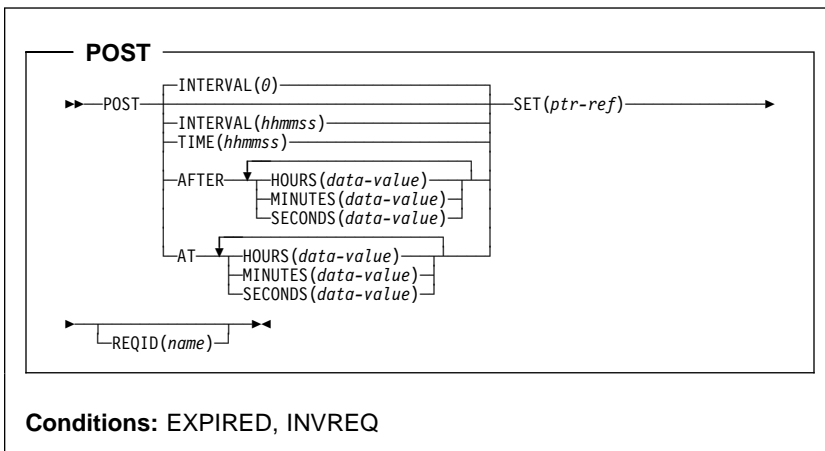
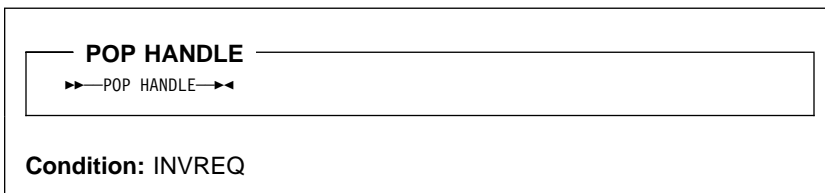
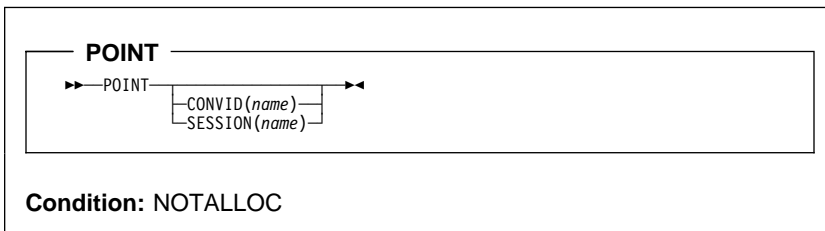
API syntax



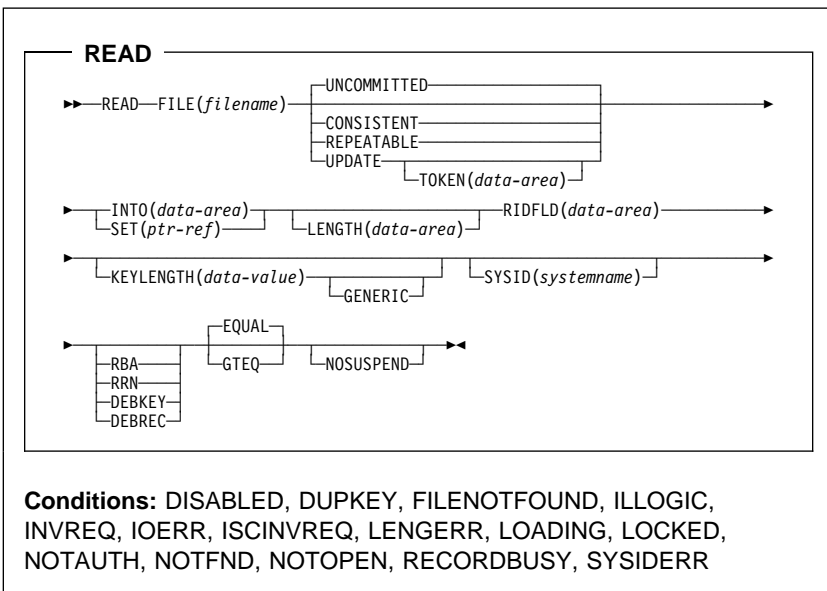
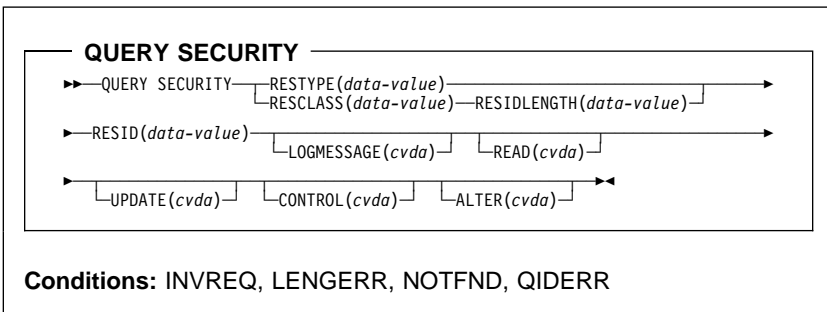
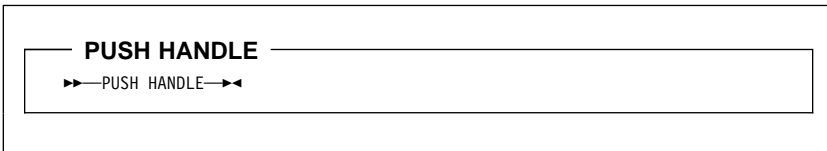
API syntax



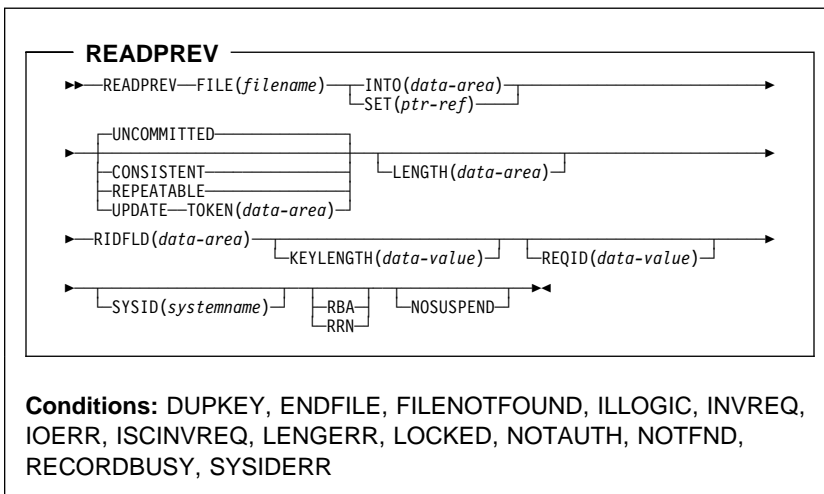
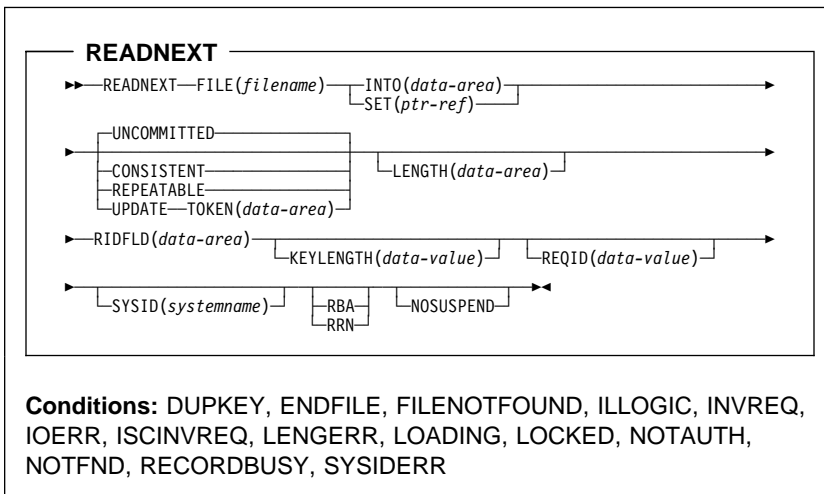
API syntax



API syntax

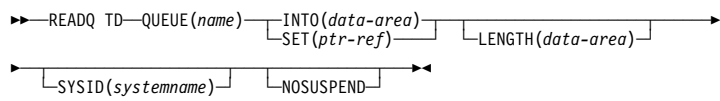


API syntax



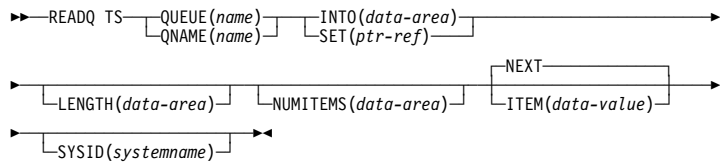
API syntax

READQ TD



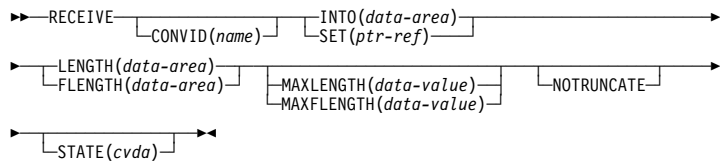
Conditions: DISABLED, INVREQ, IOERR, ISCVREQ, LENGERR, LOCKED, NOTAUTH, NOTOPEN, QBUSY, QIDERR, QZERO, SYSIDERR

READQ TS



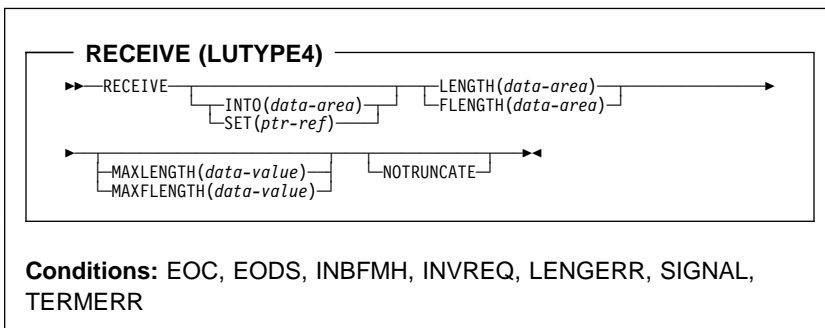
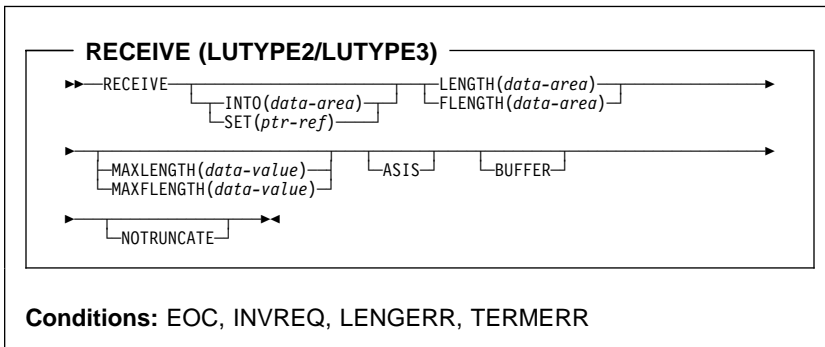
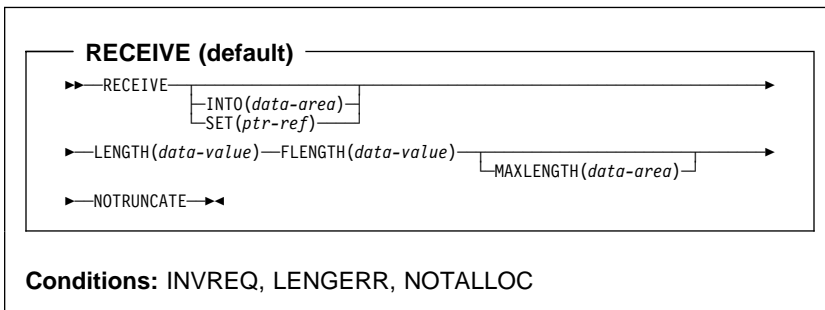
Conditions: INVREQ, IOERR, ISCVREQ, ITEMERR, LENGERR, NOTAUTH, QIDERR, SYSIDERR

RECEIVE (APPC)

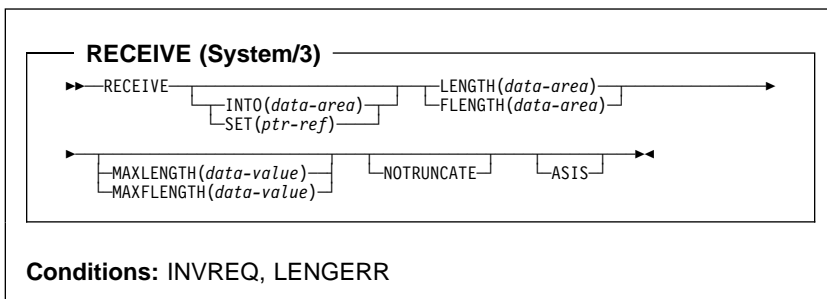
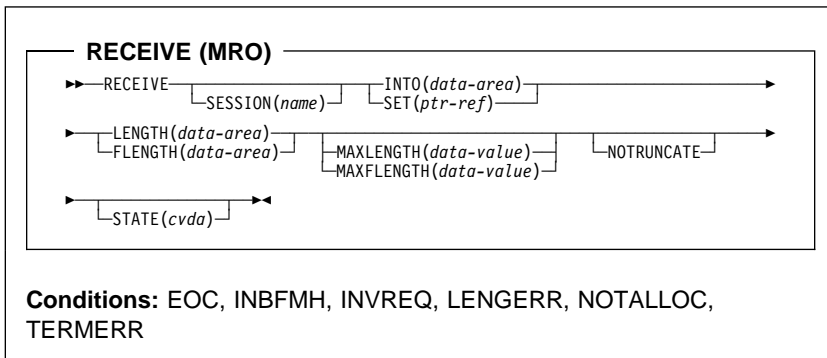
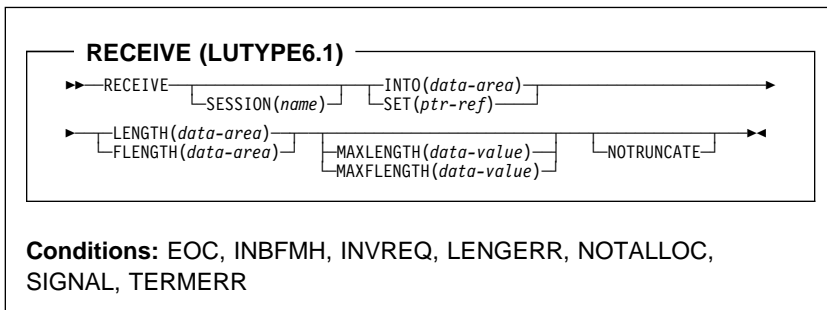


Conditions: EOC, INVREQ, LENGERR, NOTALLOC, SIGNAL, TERMERR

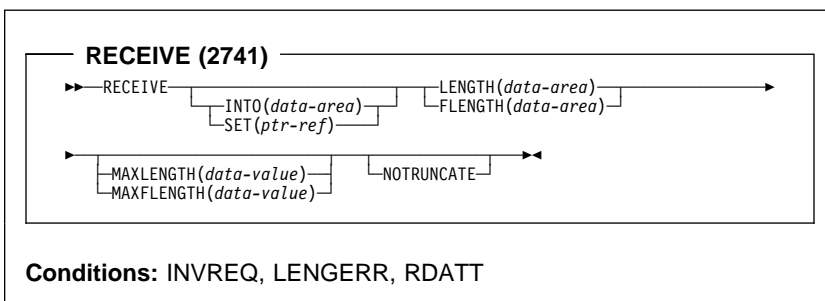
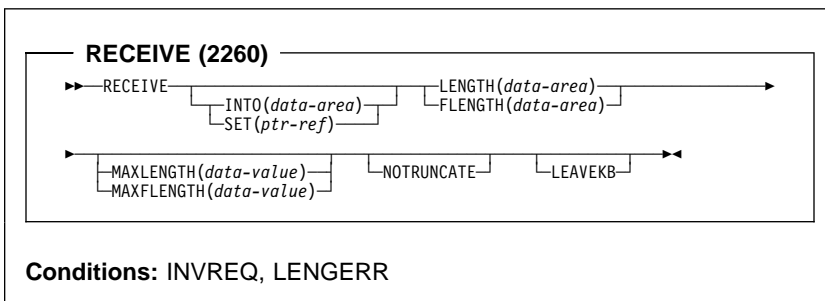
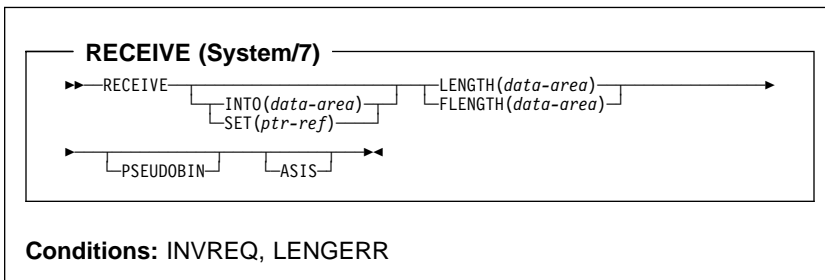
API syntax



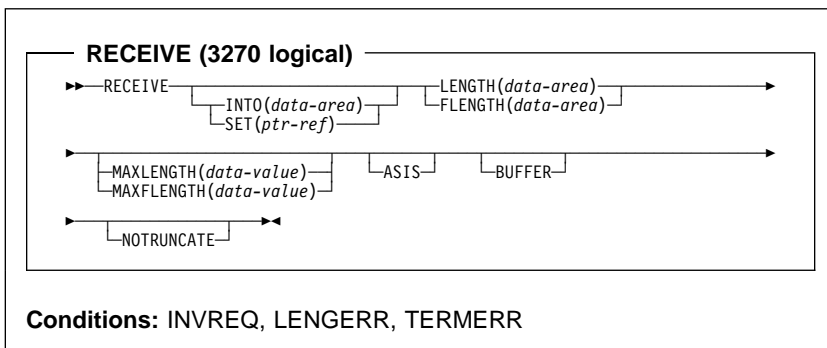
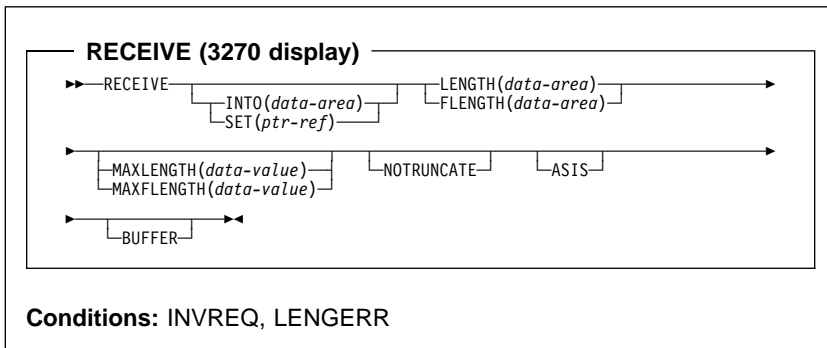
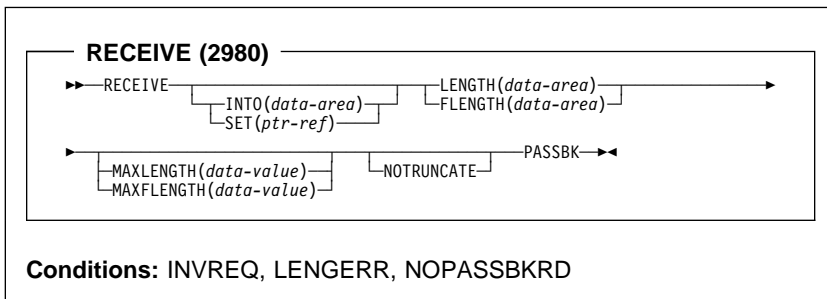
API syntax



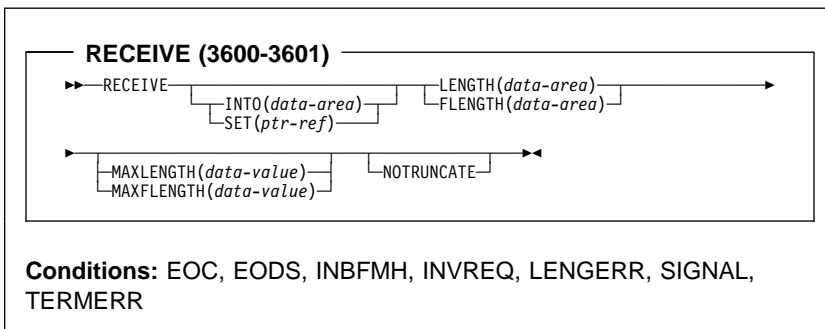
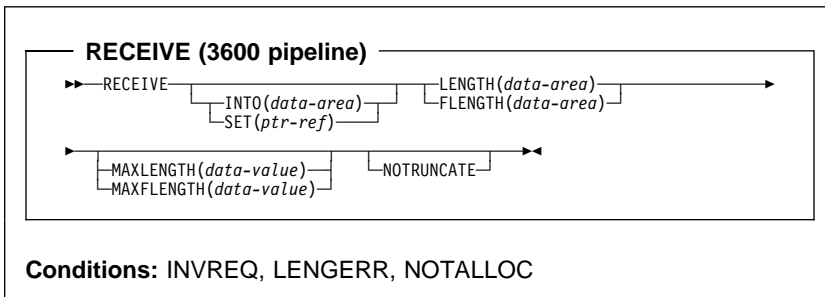
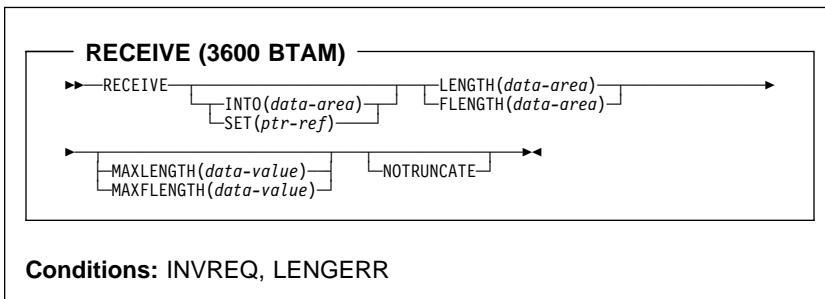
API syntax



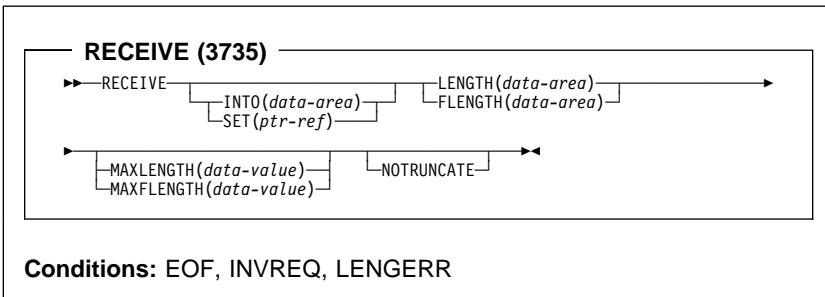
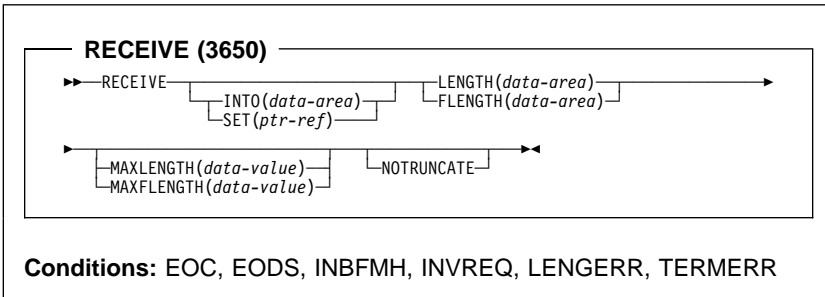
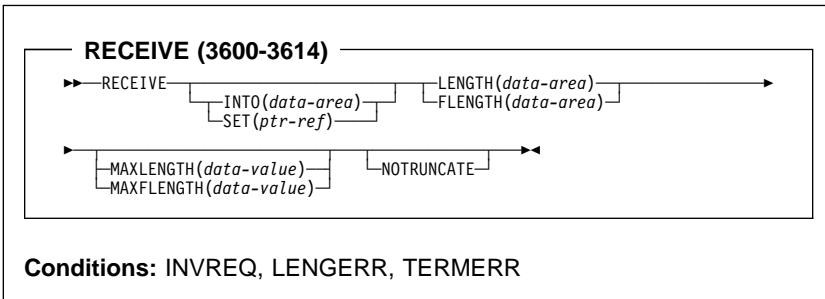
API syntax



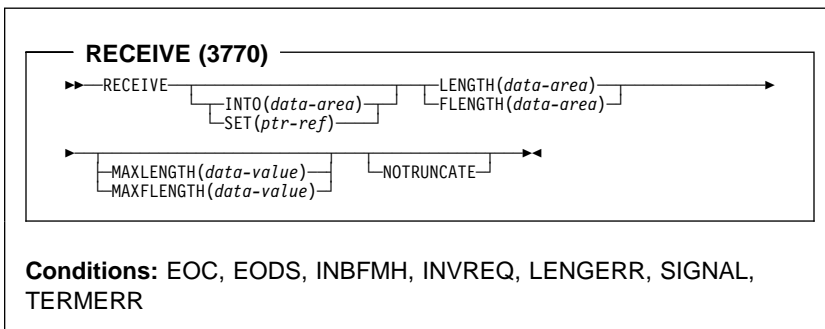
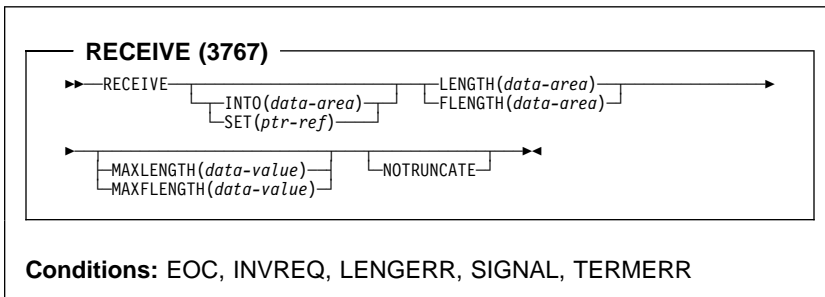
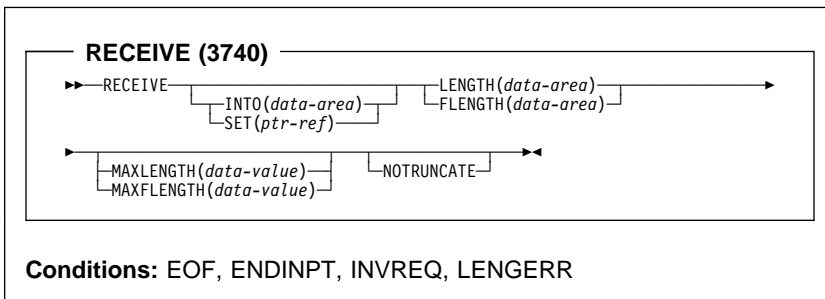
API syntax



API syntax

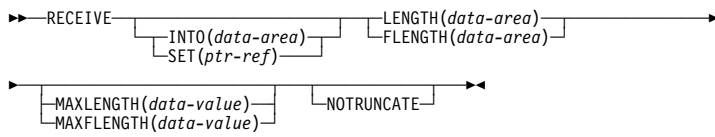


API syntax



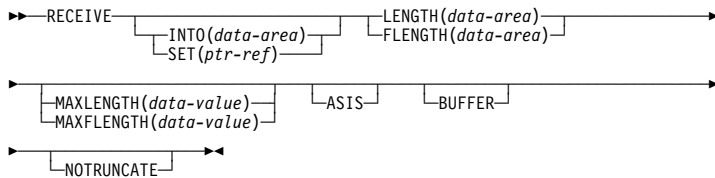
API syntax

RECEIVE (3790 full-function or inquiry)



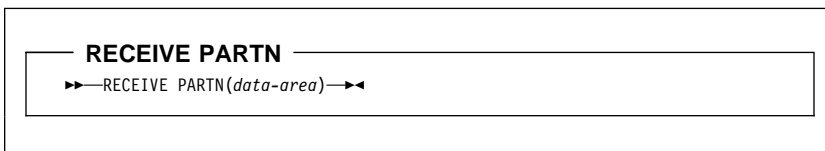
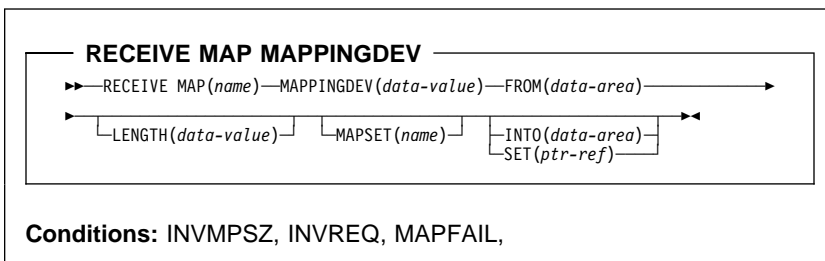
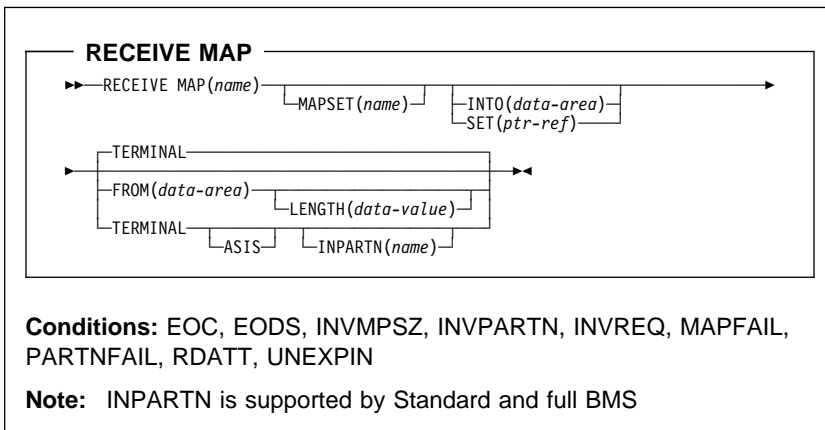
Conditions: EOC, EODS, INBFMH, INVREQ, LENGERR, SIGNAL, TERMERR

RECEIVE (3790 3270-display)

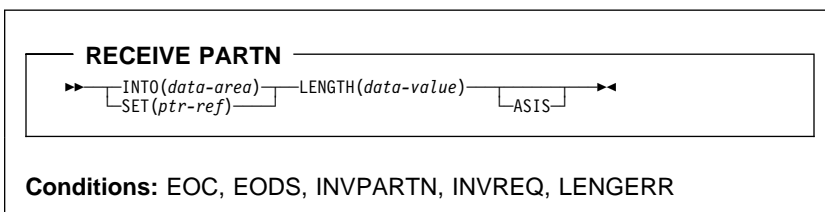


Conditions: INVREQ, LENGERR, TERMERR

API syntax



Standard and full BMS:



API syntax

RELEASE

▶▶—RELEASE—PROGRAM(*name*)—◀◀

Conditions: INVREQ, NOTAUTH, PGMIDERR

RESETBR

▶▶—RESETBR—FILE(*filename*)—RIDFLD(*data-area*)—▶

▶—KEYLENGTH(*data-value*)—GENERIC—REQID(*data-value*)—▶

▶—SYSID(*systemname*)—GTEQ—EQUAL—RBA—RRN—▶◀◀

Conditions: FILENOTFOUND, ILLOGIC, INVREQ, IOERR, ISCINVREQ, NOTAUTH, NOTFND, SYSIDERR

RETRIEVE

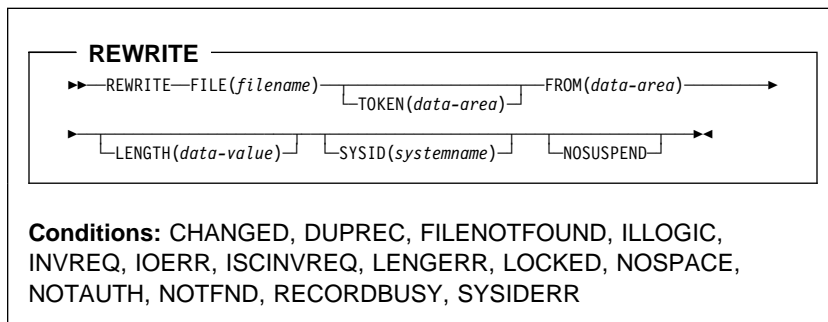
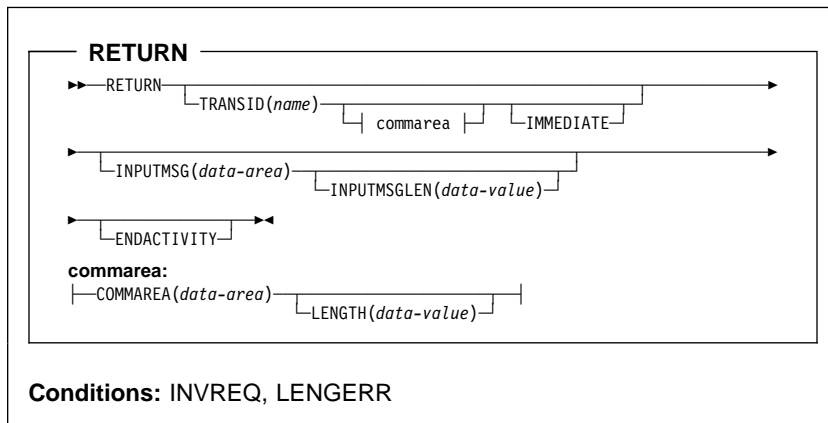
▶▶—RETRIEVE—INTO(*data-area*)—SET(*ptr-ref*)—LENGTH(*data-area*)—▶

▶—RTRANSID(*data-area*)—RTERMID(*data-area*)—▶

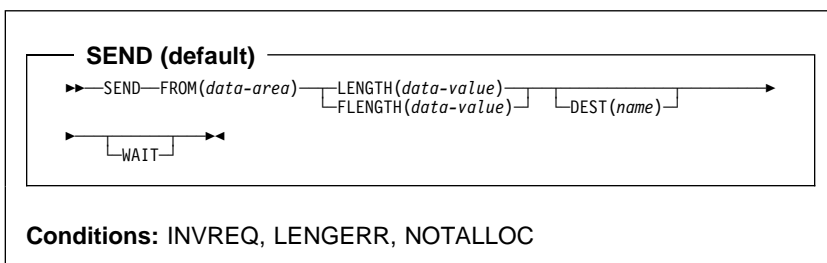
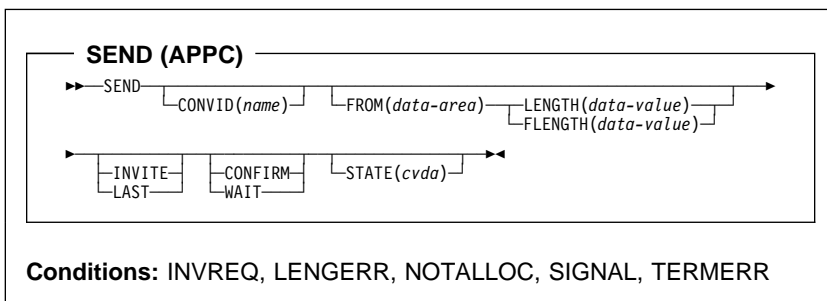
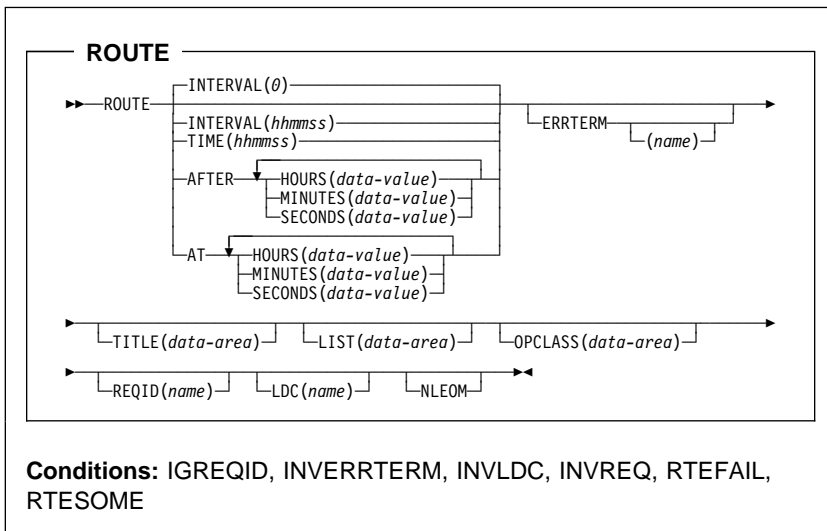
▶—QUEUE(*data-area*)—WAIT—▶◀◀

Conditions: ENDDATA, ENVDEFERR, INVREQ, IOERR, LENGERR, NOTFND

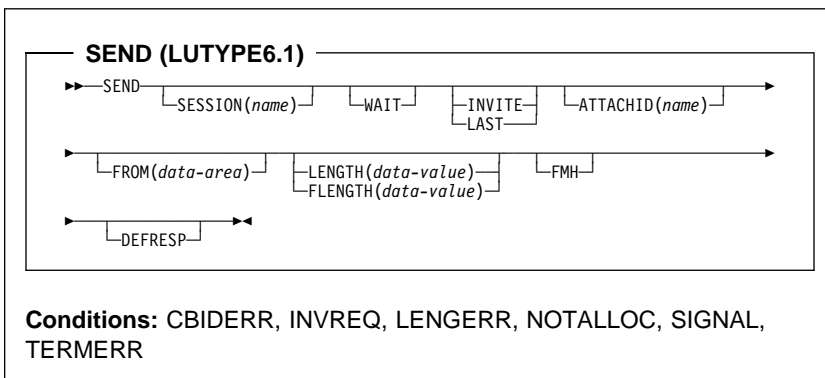
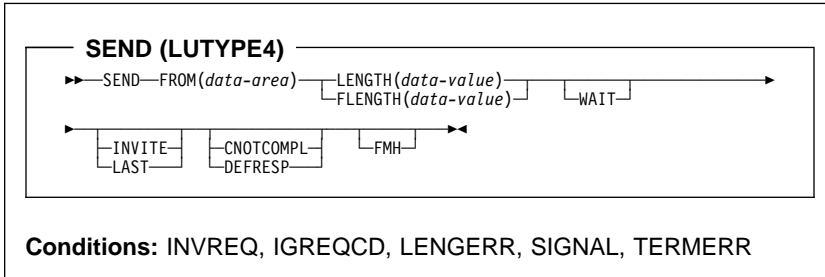
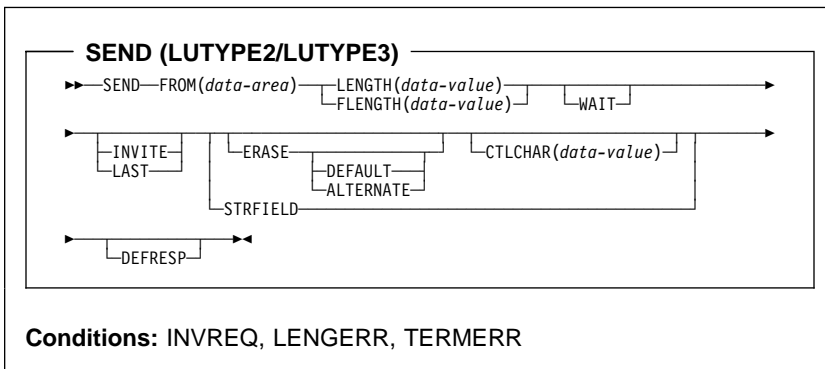
API syntax



API syntax

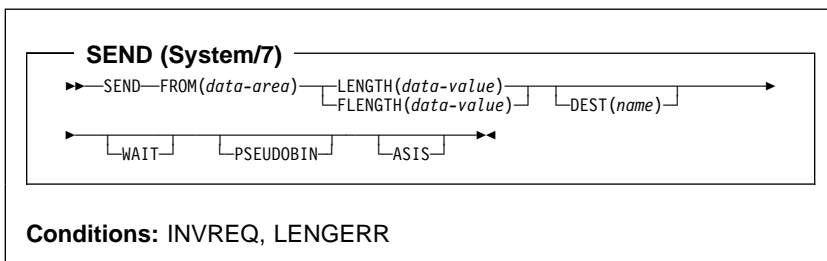
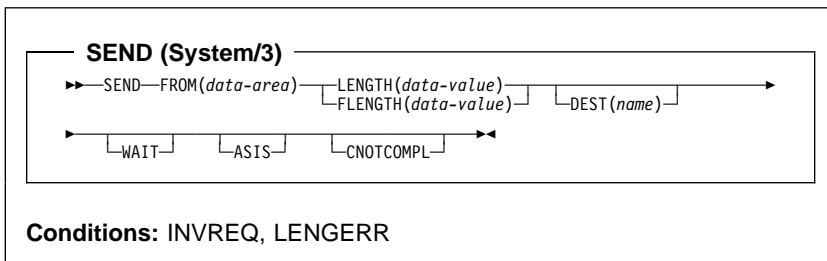
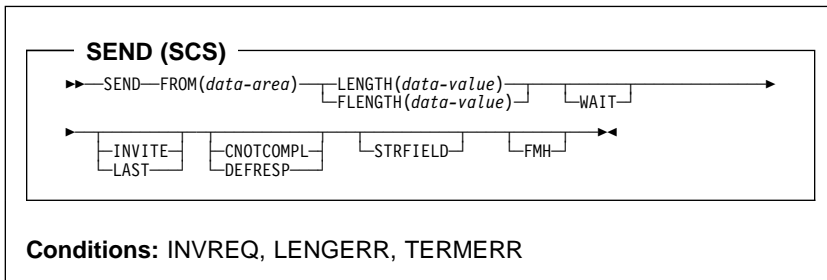
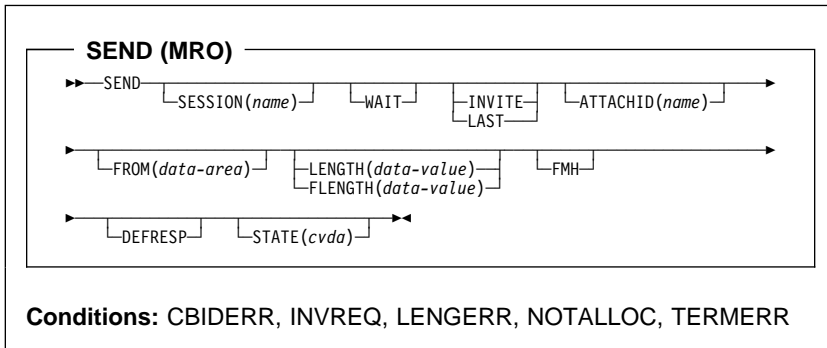


API syntax

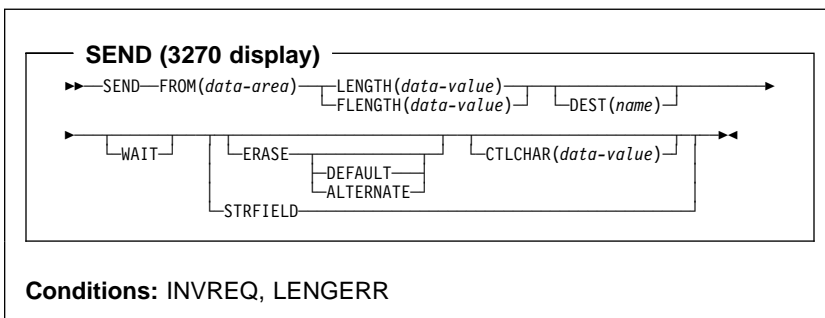
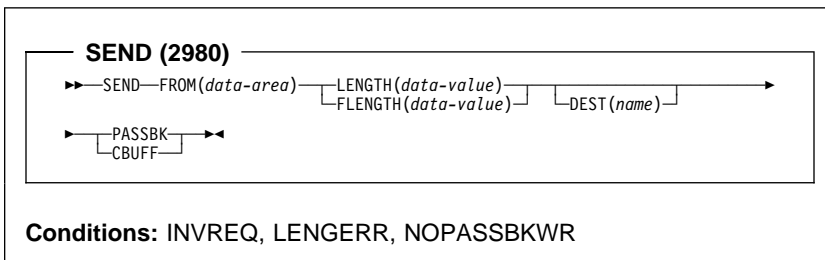
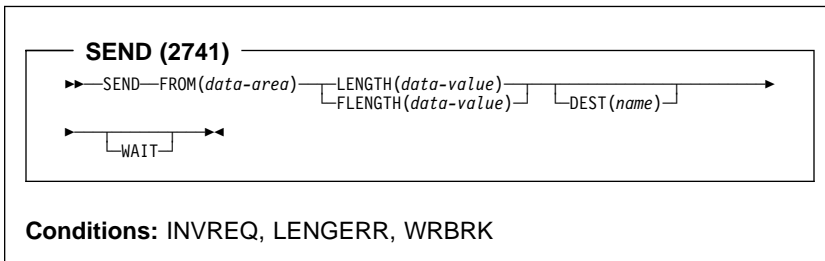
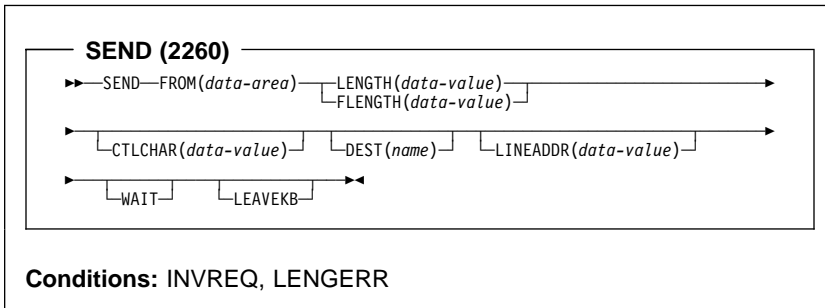


API syntax

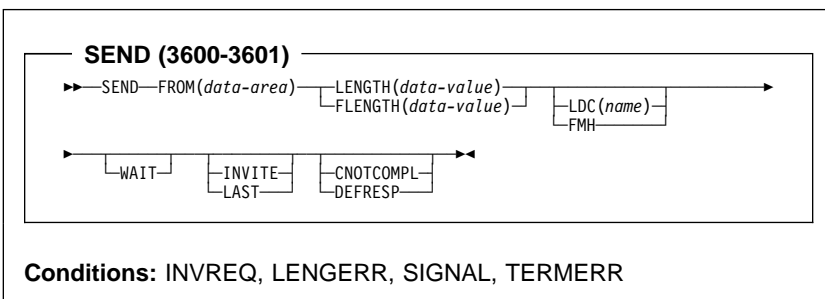
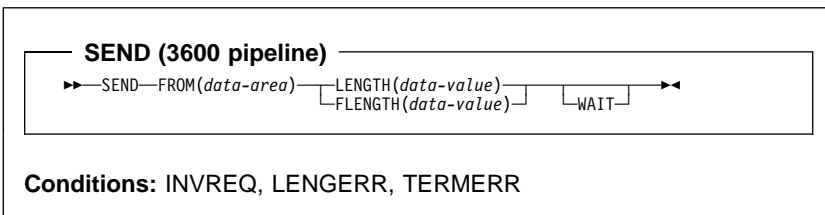
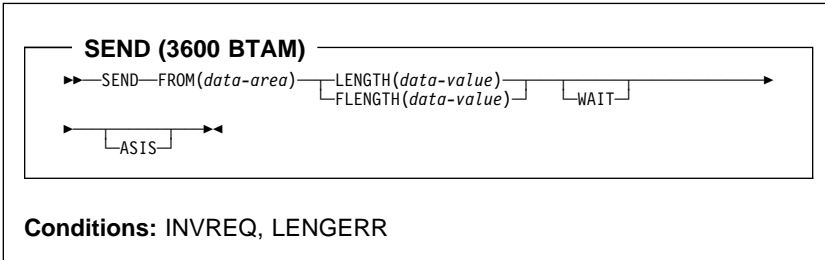
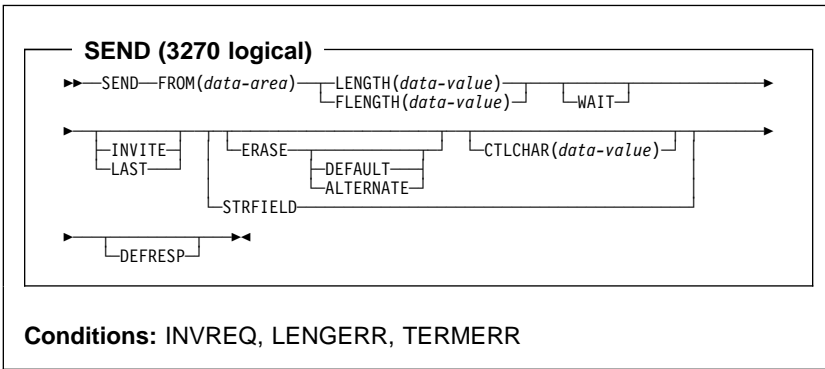
?



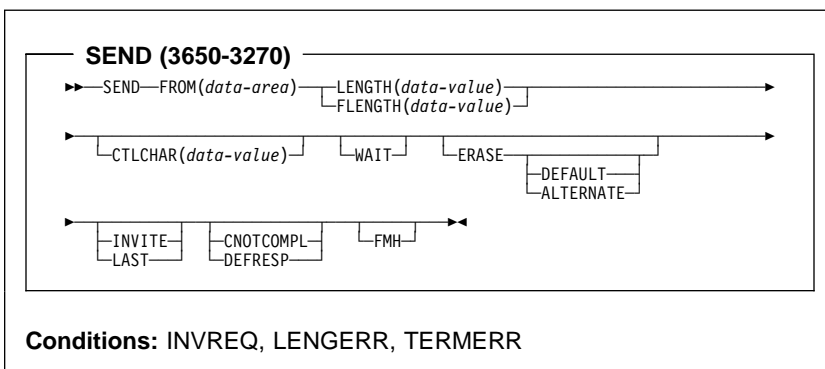
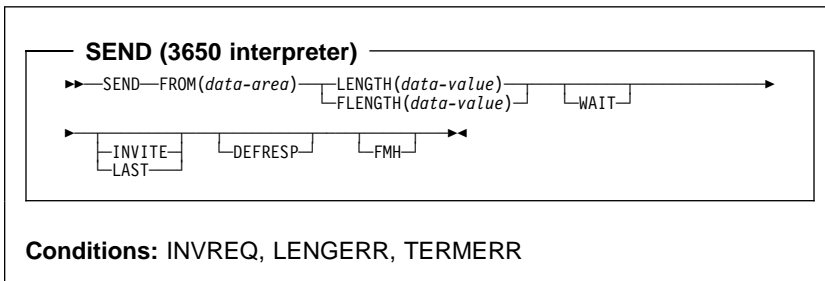
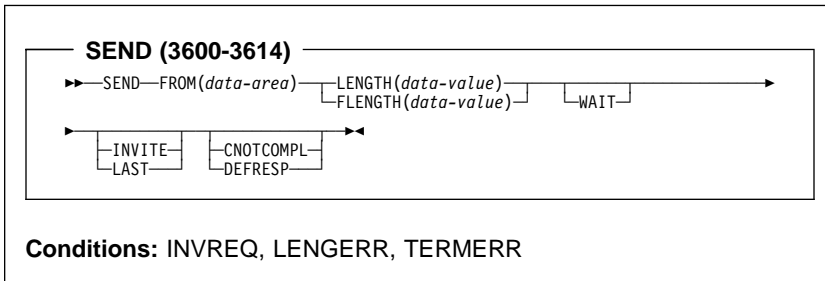
API syntax



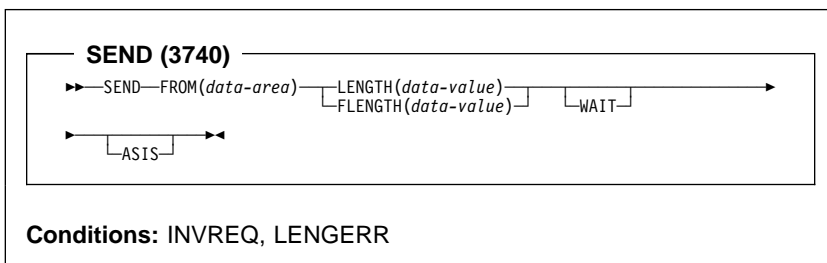
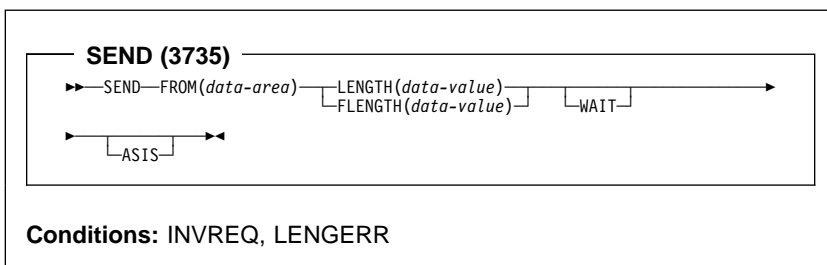
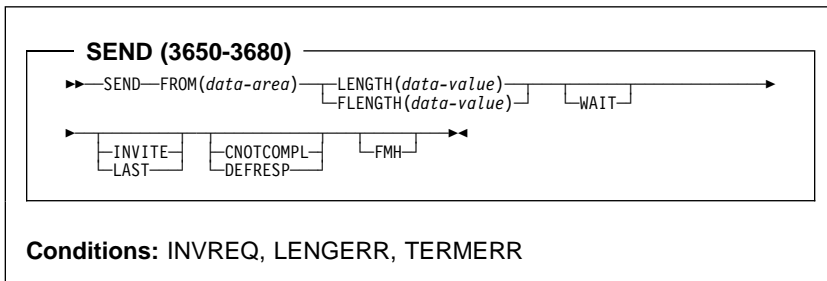
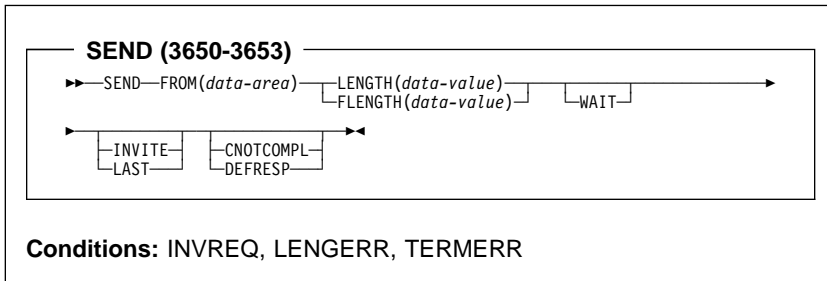
API syntax



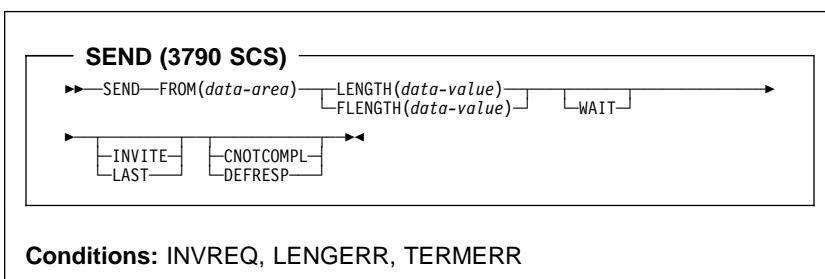
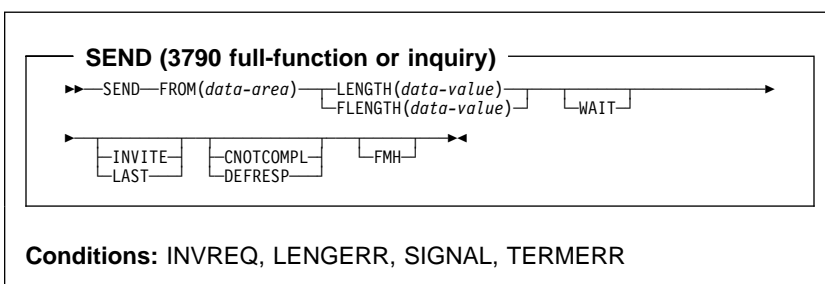
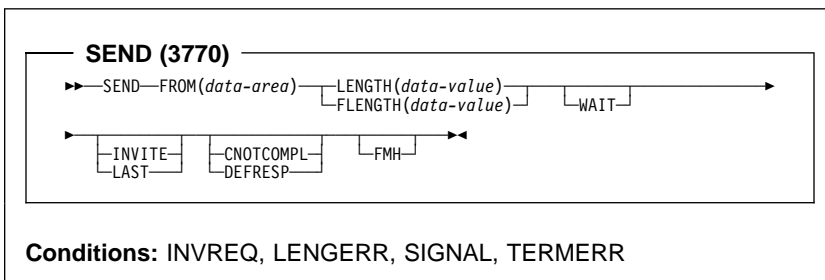
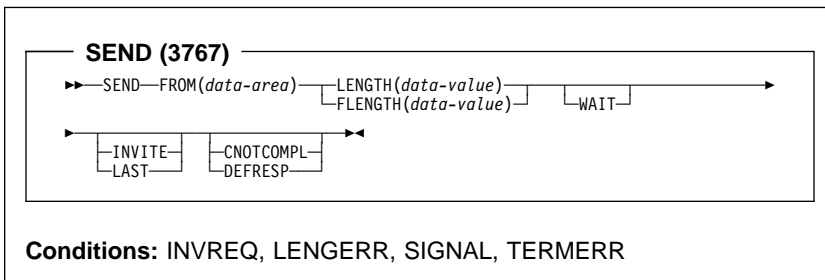
API syntax



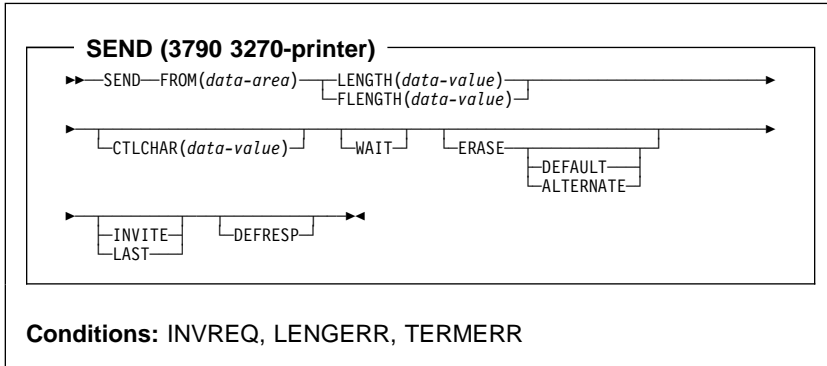
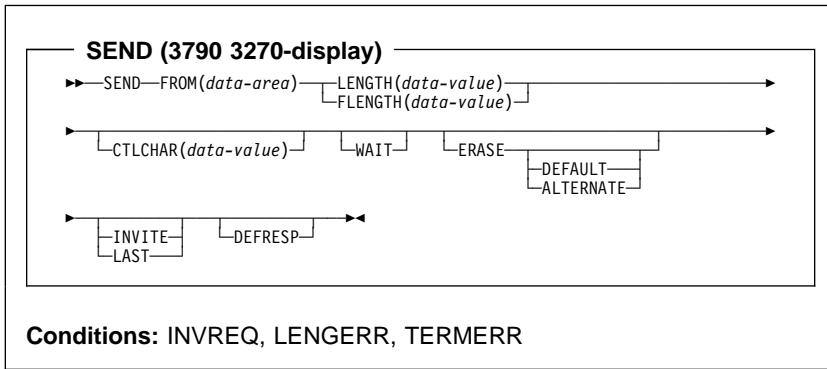
API syntax



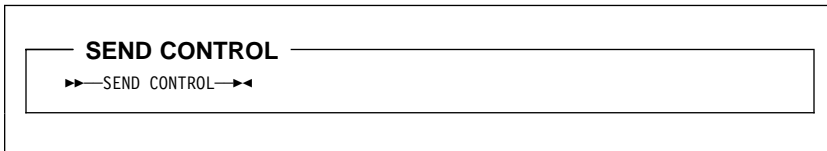
API syntax



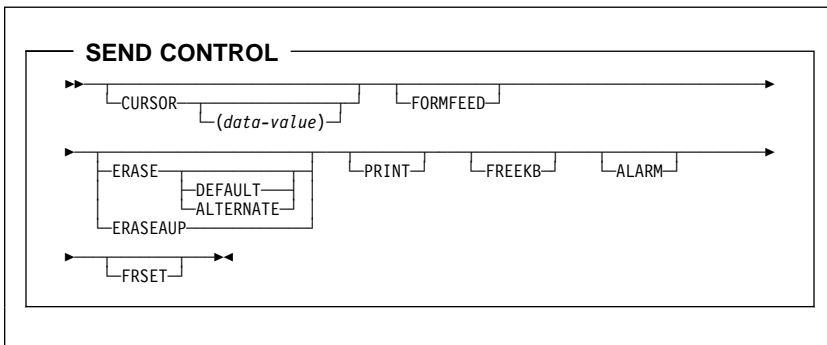
API syntax



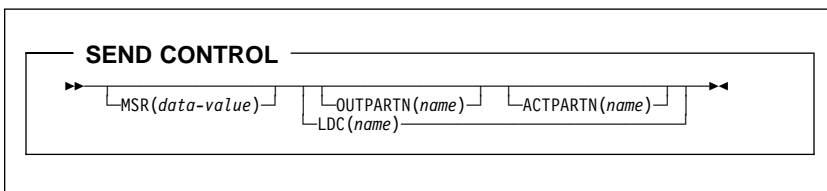
API syntax



Minimum BMS:

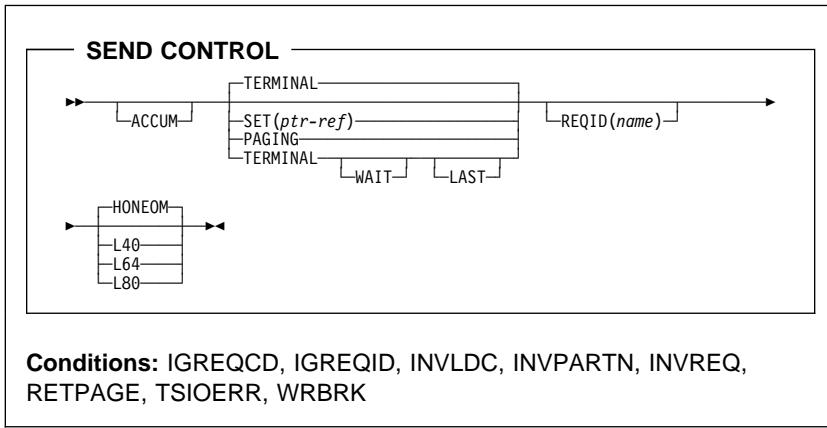


Standard BMS:

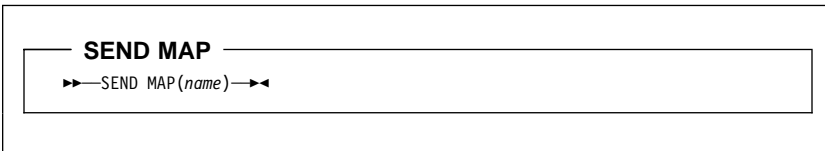


Full BMS:

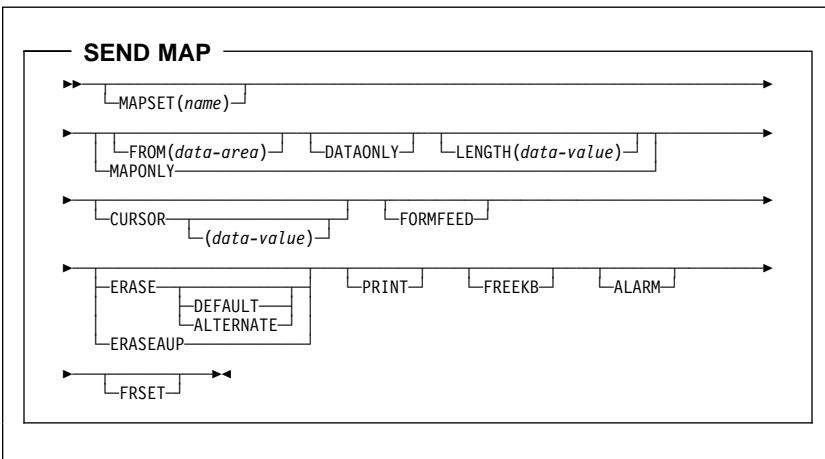
API syntax



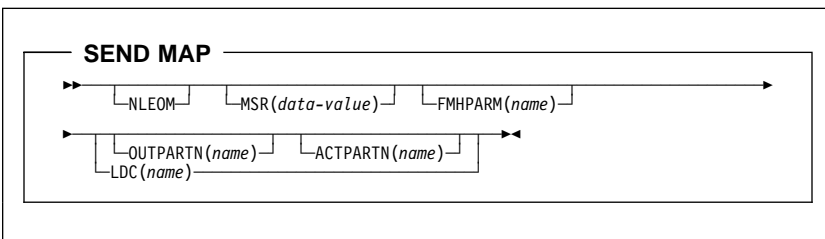
API syntax



Minimum BMS:

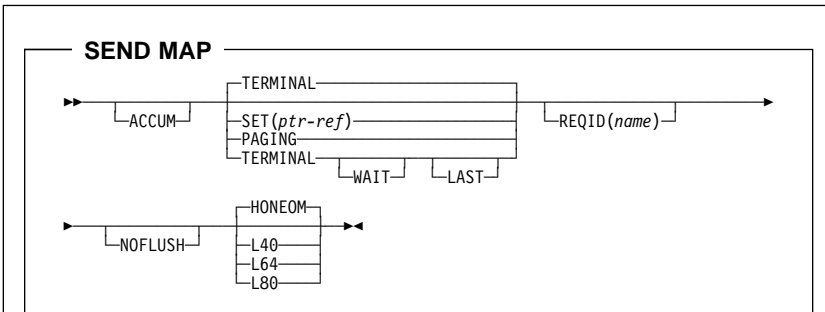


Standard BMS:



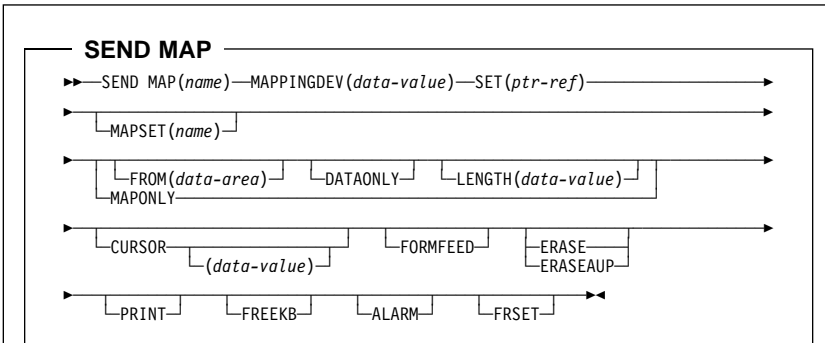
Full BMS:

API syntax



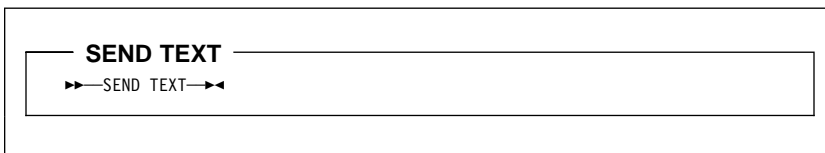
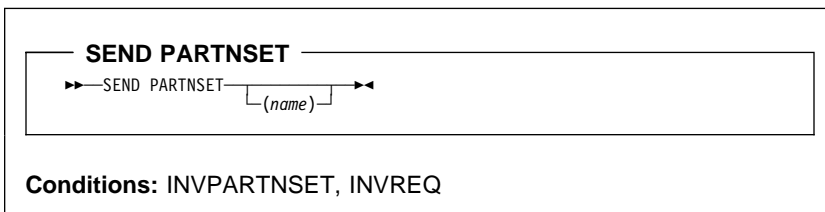
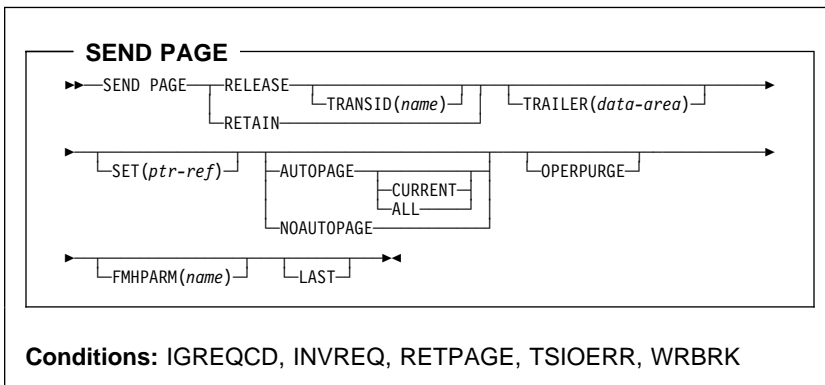
Conditions: IGREQCD, IGREQID, INVLDC, INVMPSZ, INVPARTN, INVREQ, OVERFLOW, RETPAGE, TSIOERR, WRBRK

Minimum BMS:

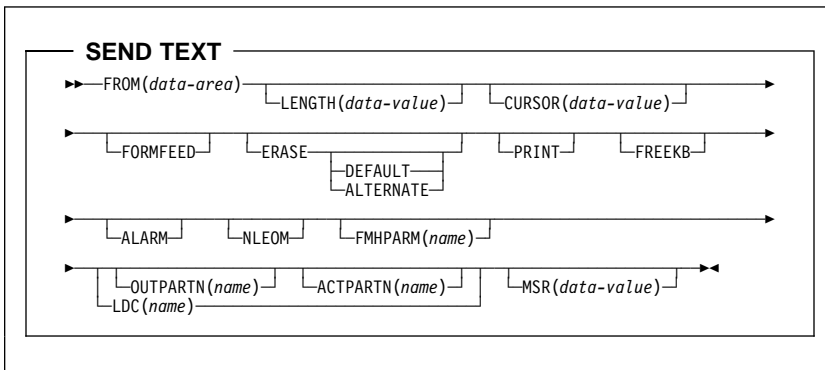


Conditions: INVMPSZ, INVREQ

API syntax

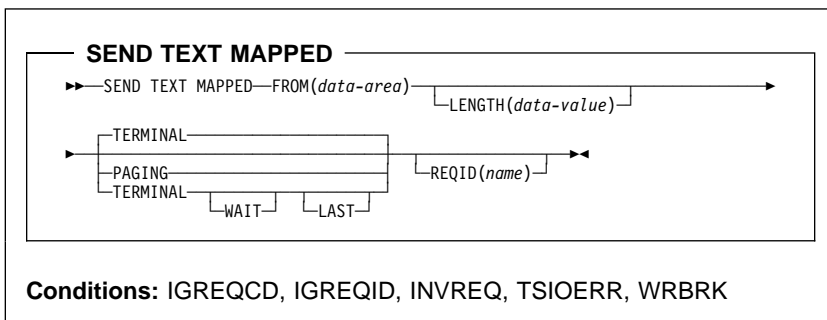
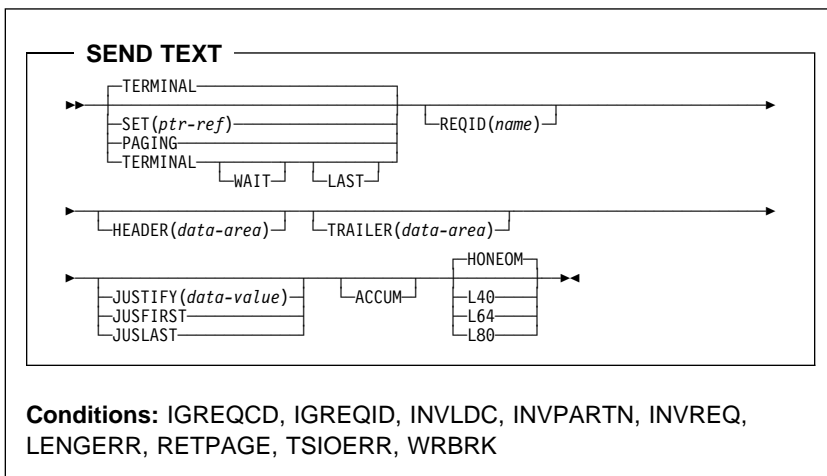


Standard BMS:

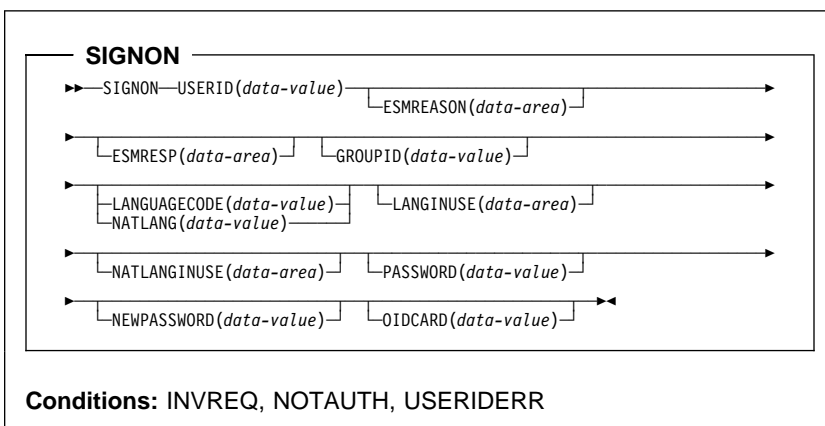
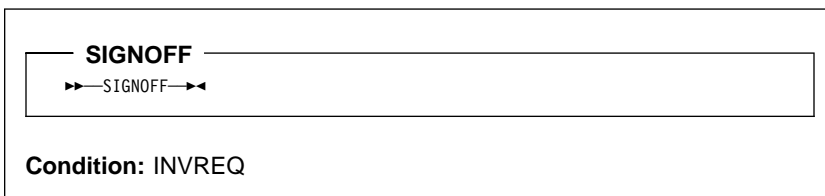
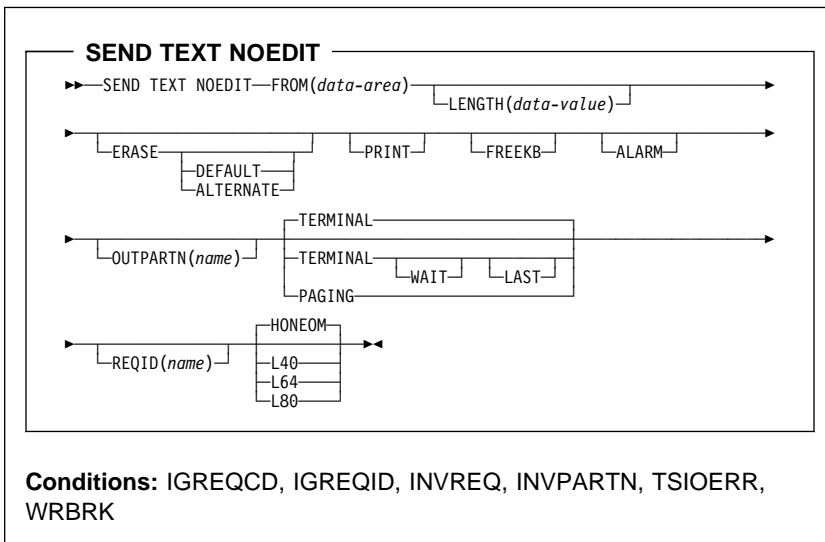


API syntax

Full BMS:

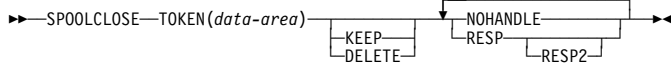


API syntax



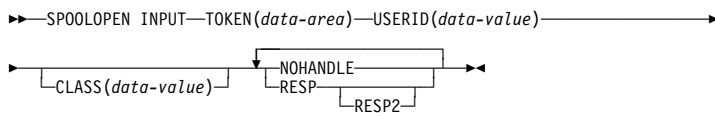
API syntax

SPOOLCLOSE TOKEN



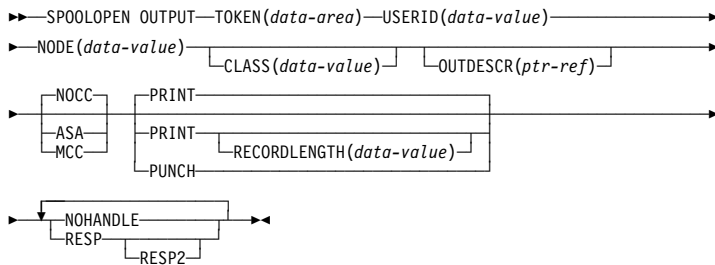
Conditions: ALLOCERR, INVREQ, NOSPOOL, NOSTG, NOTFND, NOTOPEN, STRELERR

SPOOLOPEN INPUT



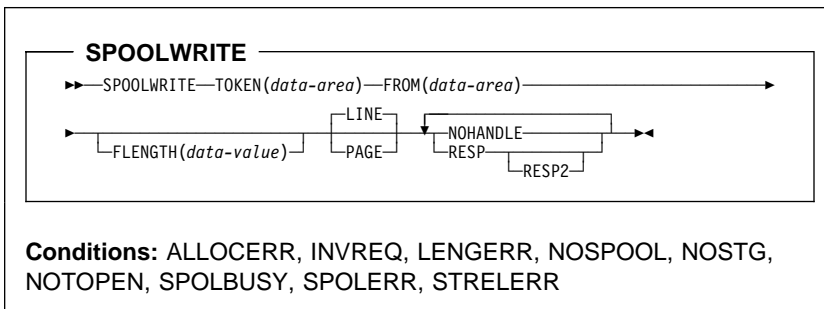
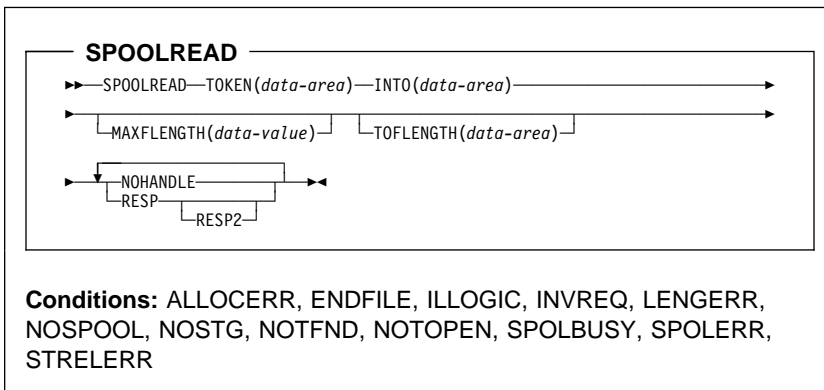
Conditions: ALLOCERR, ILLOGIC, INVREQ, NOSPOOL, NOSTG, NOTAUTH, NOTFND, NOTOPEN, OPENERR, SPOLBUSY, SPOLERR, STRELERR

SPOOLOPEN OUTPUT

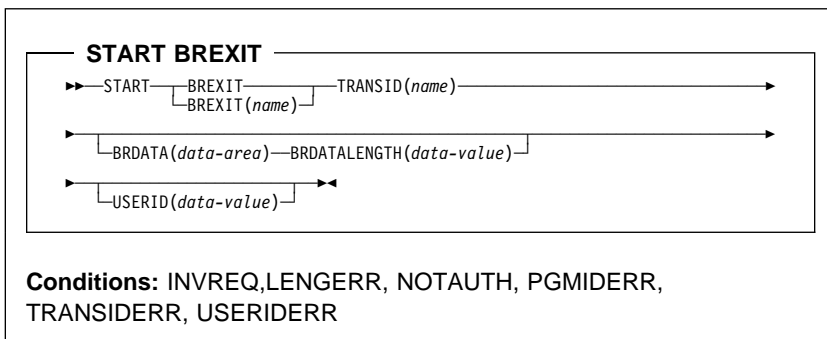
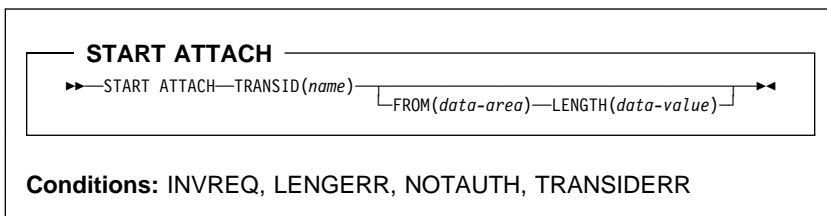
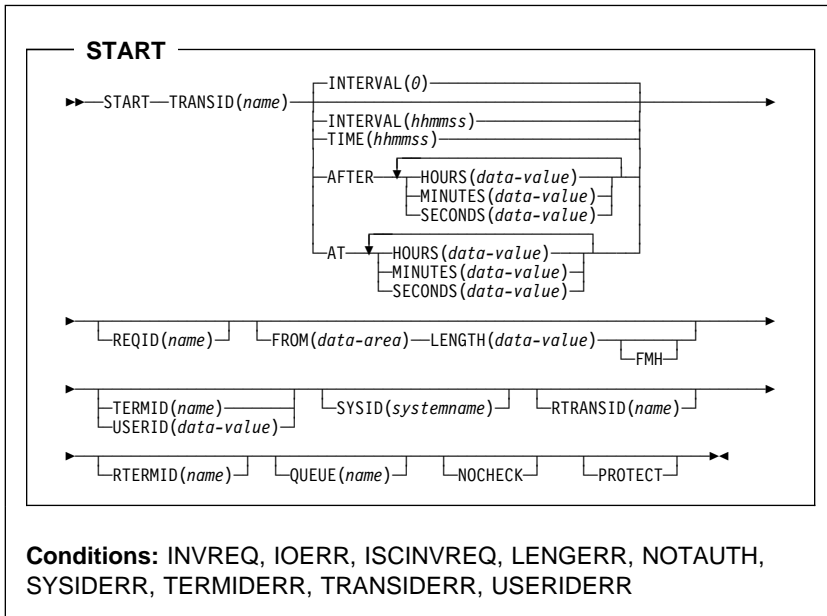


Conditions: ALLOCERR, ILLOGIC, INVREQ, LENGERR, NODEIDERR, NOSPOOL, NOSTG, NOTFND, NOTOPEN, OPENERR, OUTDESCERR, SPOLBUSY, STRELERR

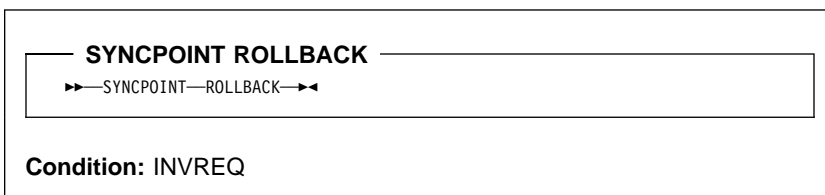
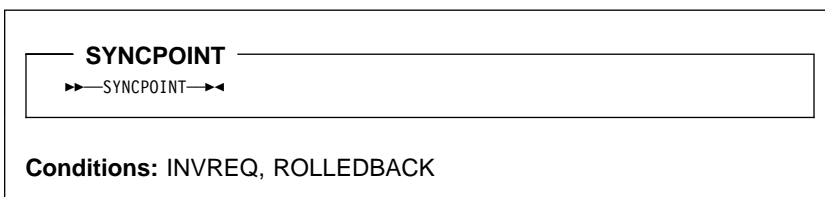
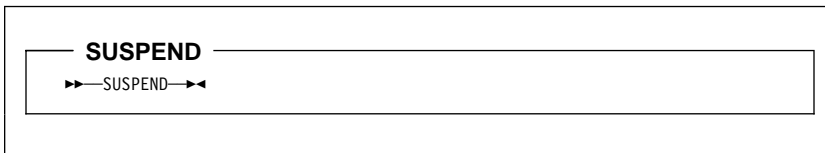
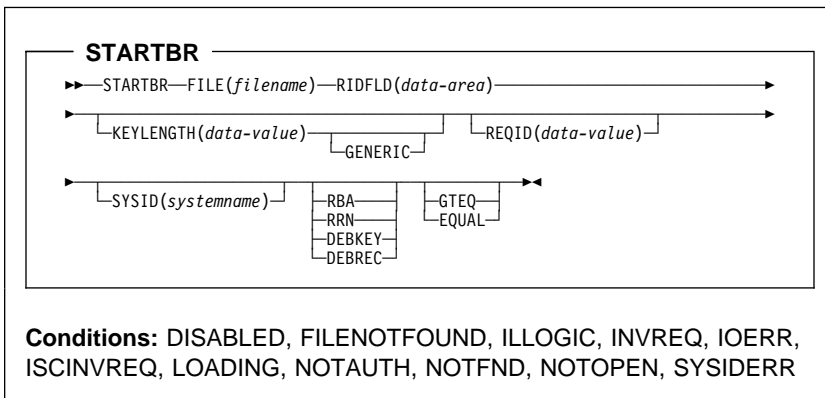
API syntax



API syntax

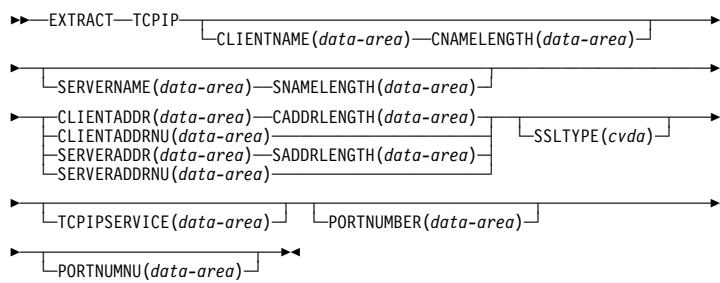


API syntax



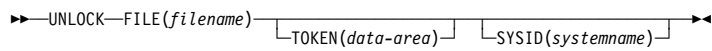
API syntax

EXTRACT TCPIP



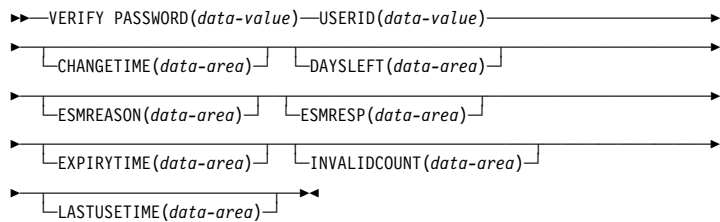
Conditions: INVREQ, LENGERR

UNLOCK



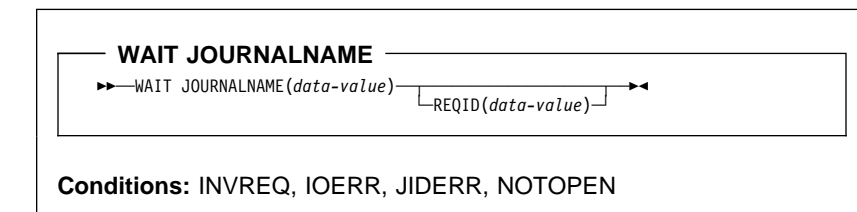
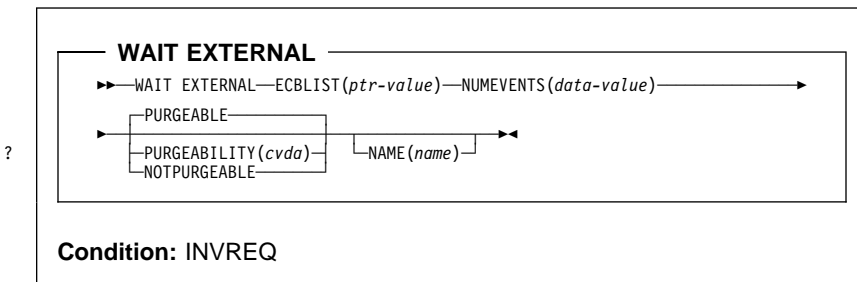
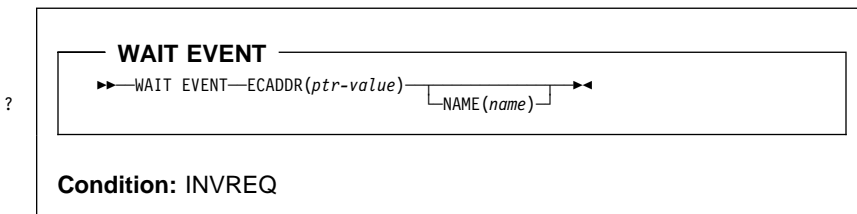
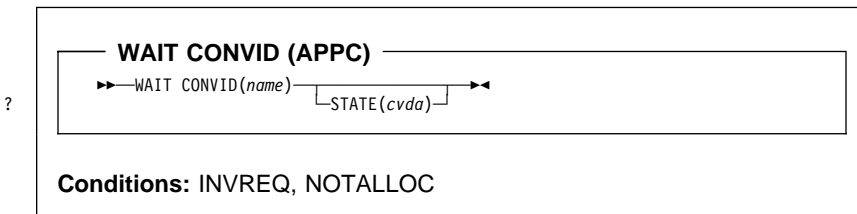
Conditions: DISABLED, FILENOTFOUND, ILLOGIC, INVREQ, IOERR, ISCINVREQ, NOTAUTH, NOTOPEN, SYSIDERR

VERIFY PASSWORD



Conditions: INVREQ, NOTAUTH, USERIDERR

API syntax



API syntax

WAIT SIGNAL

▶▶—WAIT SIGNAL—◀◀

Conditions: NOTALLOC, SIGNAL, TERMERR

WAIT TERMINAL

▶▶—WAIT TERMINAL—◀◀
┌—CONVID(*name*)—┐
└—SESSION(*name*)—┘

Conditions: INVREQ, NOTALLOC, SIGNAL

WAITCICS

▶▶—WAITCICS—ECBLIST(*ptr-value*)—NUMEVENTS(*data-value*)—▶▶
┌—PURGEABLE—┐
└—PURGEABILITY(*cvda*)—┘
┌—NAME(*name*)—┐
└—NOTPURGEABLE—┘

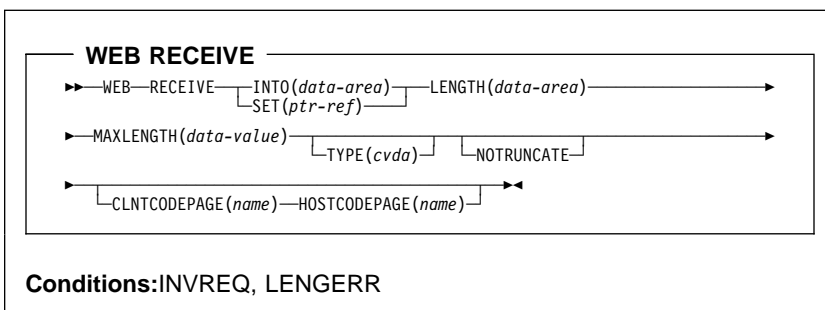
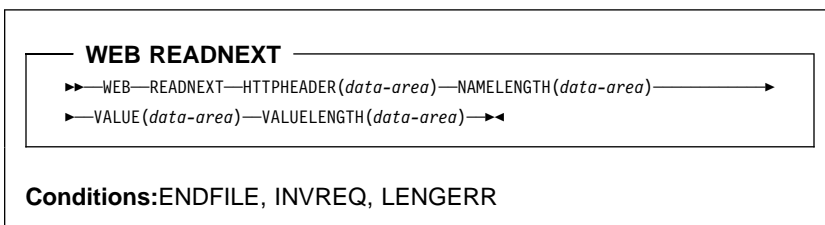
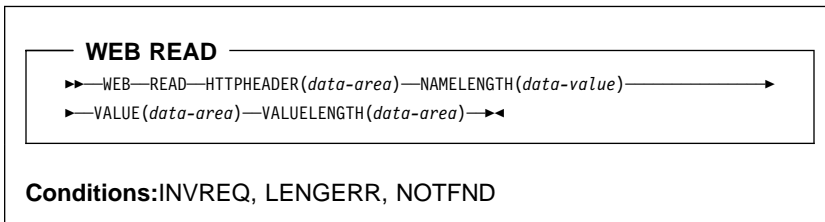
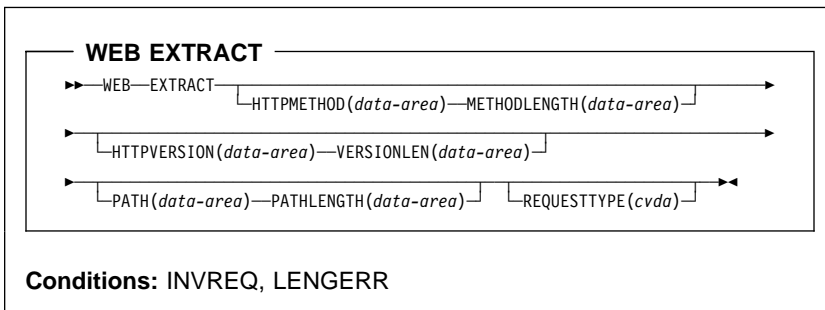
Condition: INVREQ

WEB ENDBROWSE

▶▶—WEB—ENDBROWSE—HTTPHEADER—▶▶

Conditions: INVREQ

API syntax



API syntax

WEB RETRIEVE

►►WEB—RETRIEVE—DOCTOKEN(*data-area*)►◄

Conditions:INVREQ

WEB SEND

►►WEB—SEND—DOCTOKEN(*name*)
└─CLNTCODEPAGE(*name*)┘
►►
└─STATUSCODE(*data-value*)┘
►►
└─STATUSTEXT(*data-area*)—LENGTH(*data-value*)┘►◄

Conditions:INVREQ, NOTFND

WEB STARTBROWSE

►►WEB—STARTBROWSE—HTTPHEADER►◄

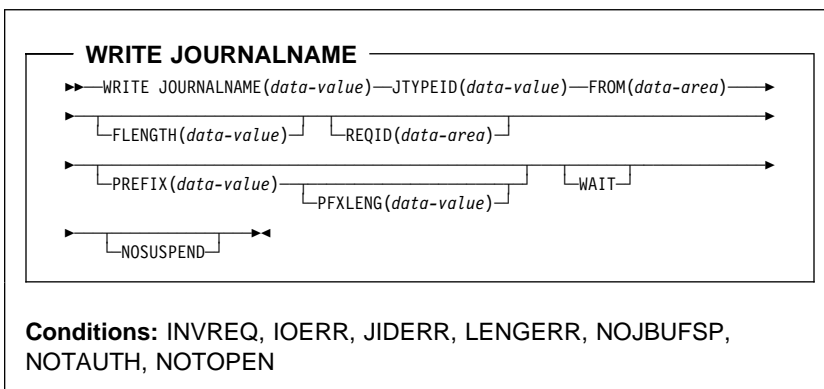
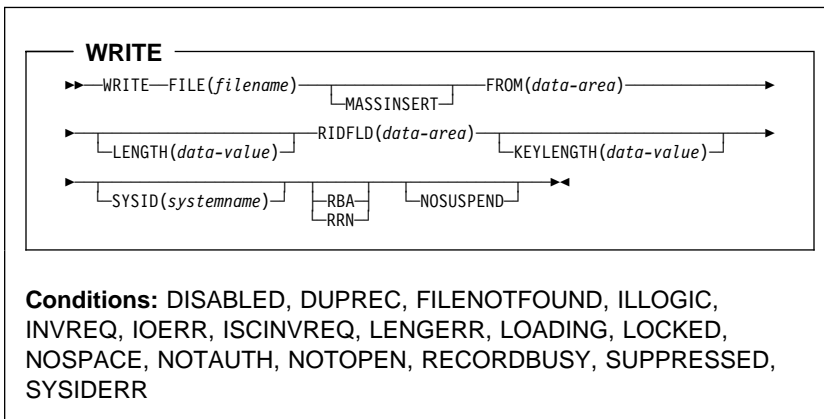
Conditions:INVREQ

WEB WRITE

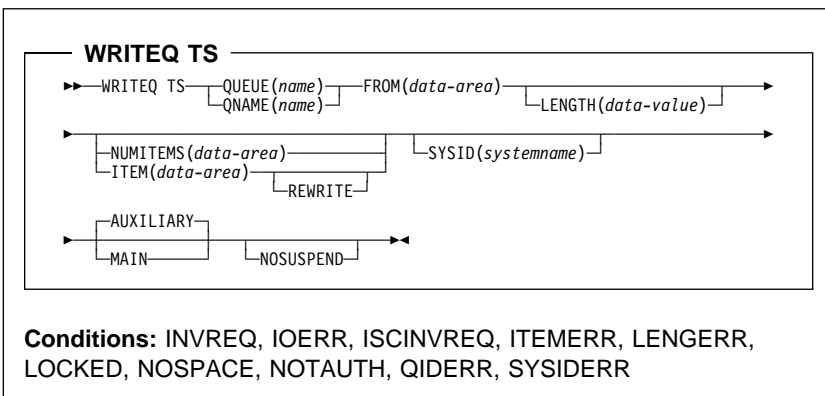
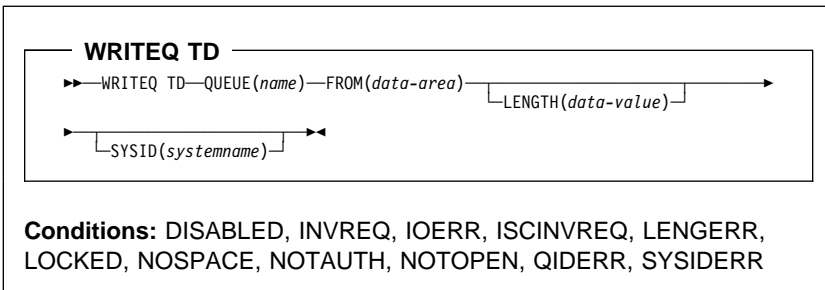
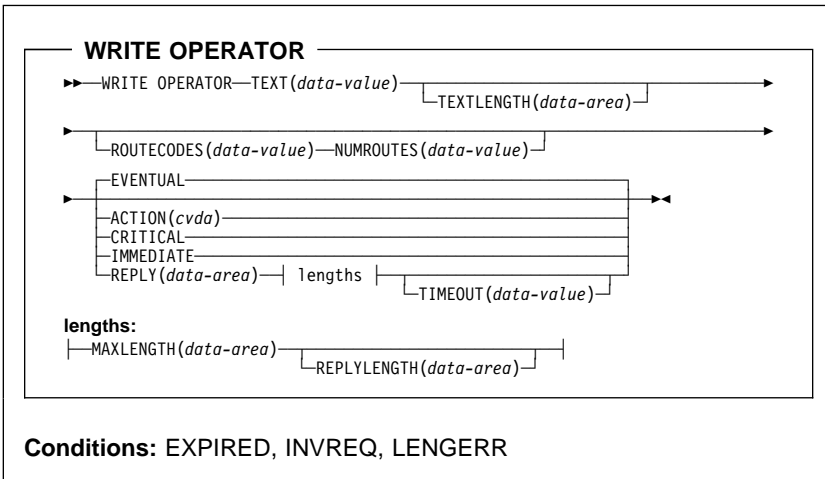
►►WEB—WRITE—HTTPHEADER(*data-area*)—NAMELENGTH(*data-value*)
►►
└─VALUE(*data-area*)—VALUELENGTH(*data-value*)►◄

Conditions:INVREQ

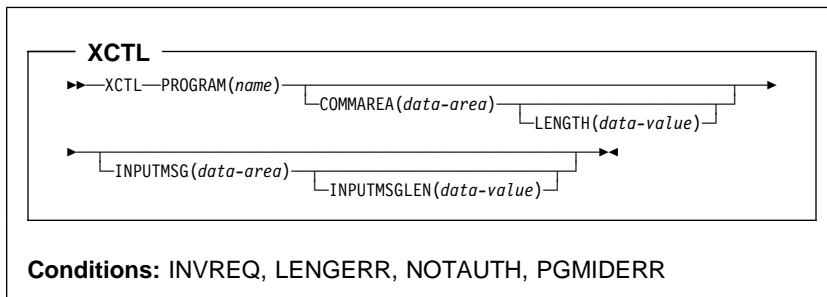
API syntax



API syntax



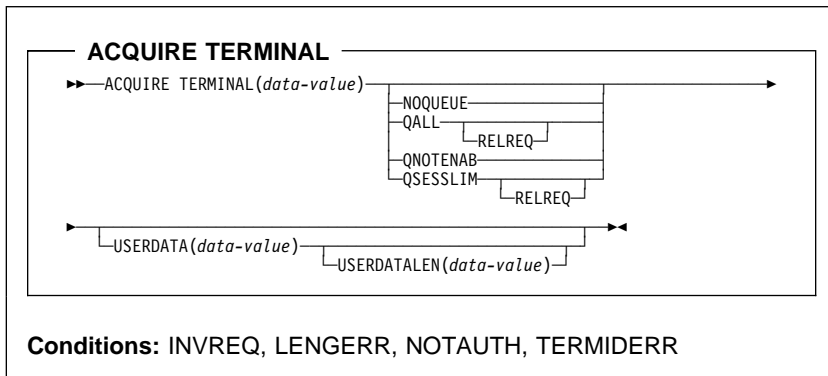
API syntax



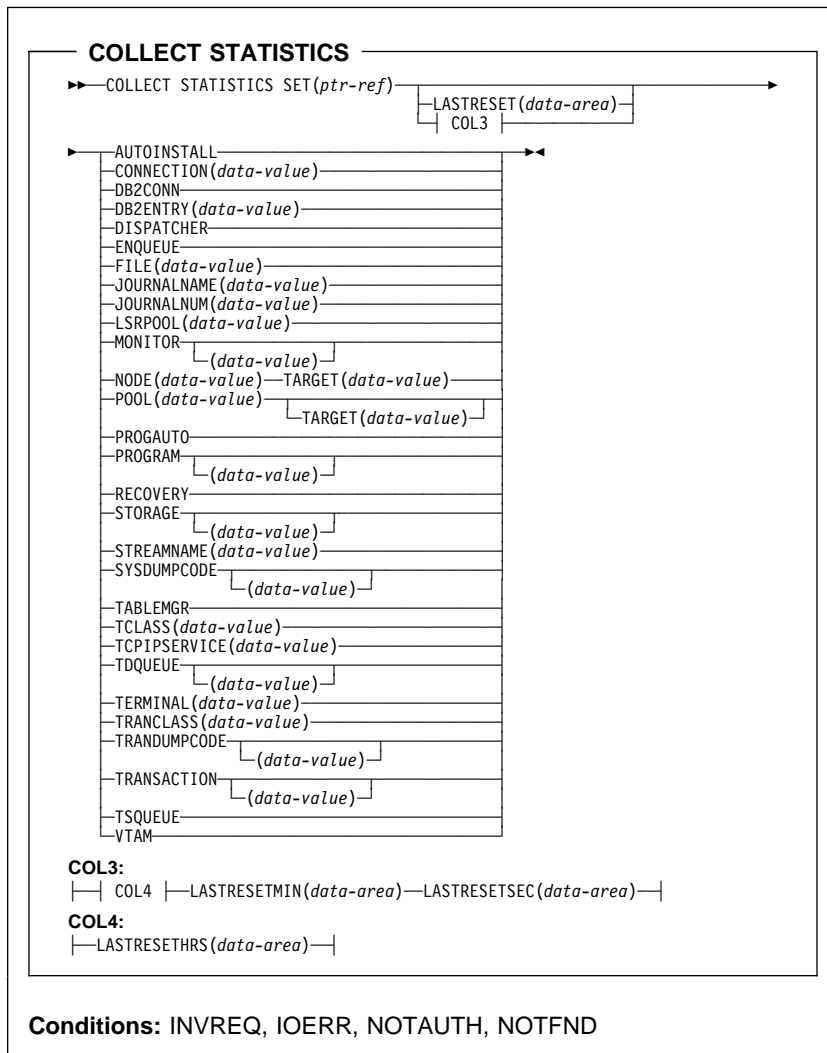
SPI syntax

Chapter 2. SPI command syntax

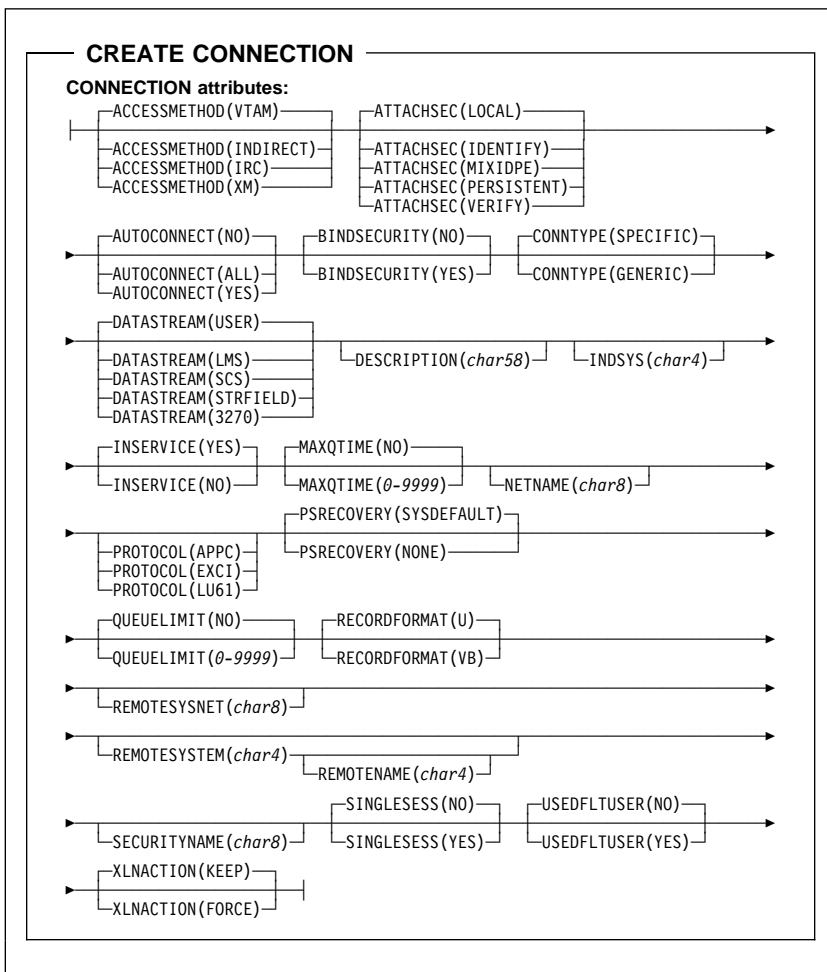
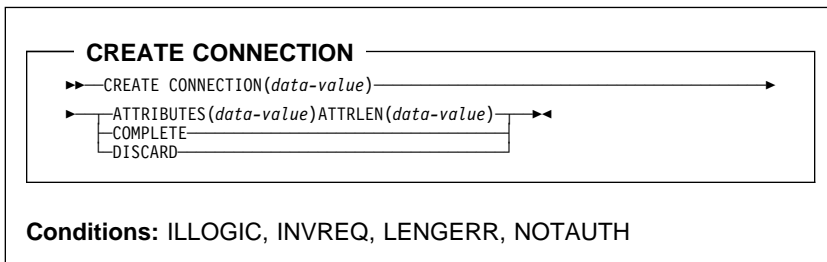
This chapter contains General-use Programming Interface information.



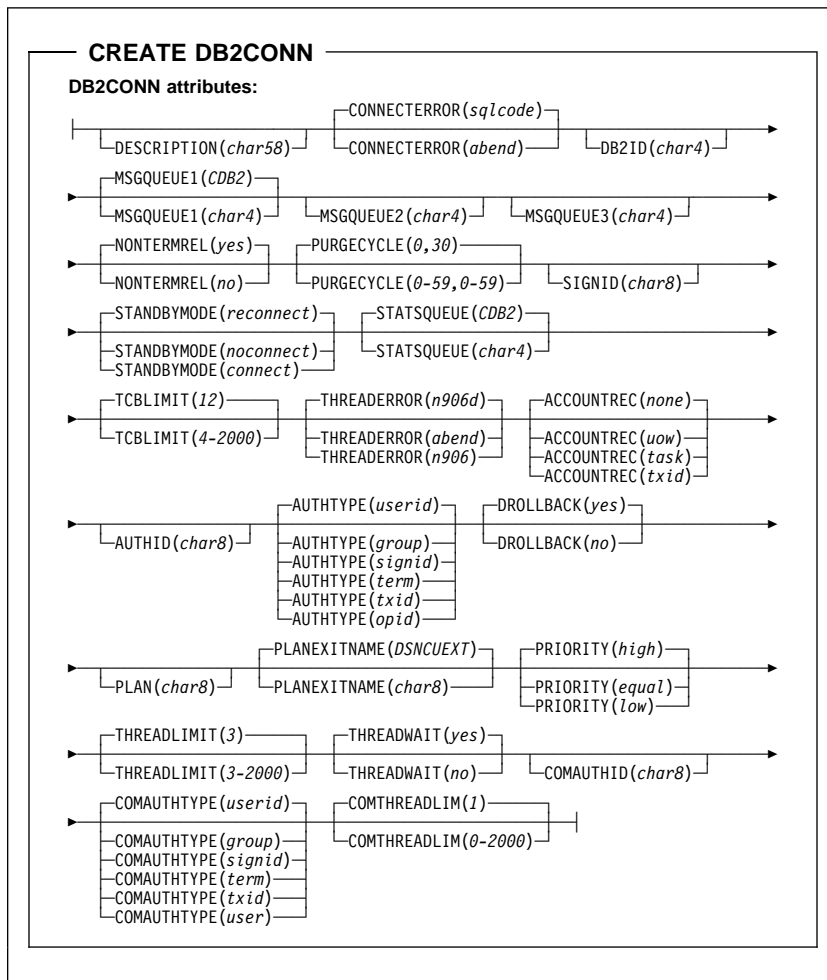
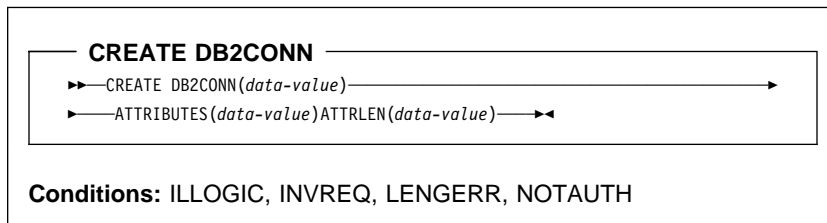
SPI syntax



SPI syntax



SPI syntax



SPI syntax

CREATE DB2ENTRY

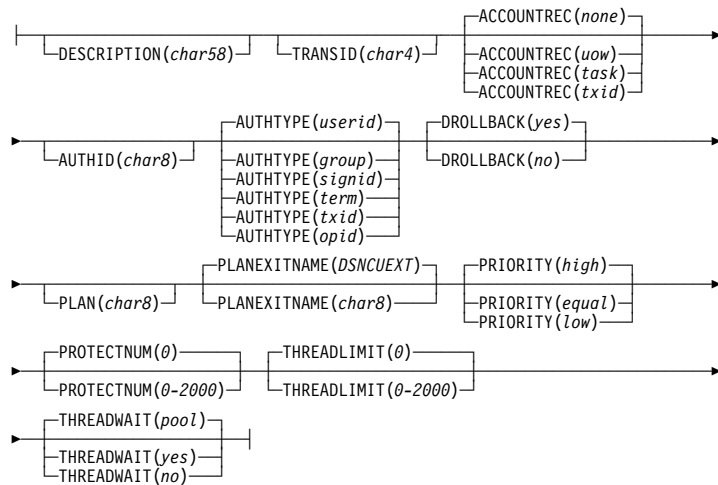
```

▶▶ CREATE DB2ENTRY (data-value) ▶▶
▶ ATTRIBUTES (data-value) ATTRLEN (data-value) ▶▶
  
```

Conditions: ILLOGIC, INVREQ, LENGERR, NOTAUTH

CREATE DB2ENTRY

DB2ENTRY attributes:



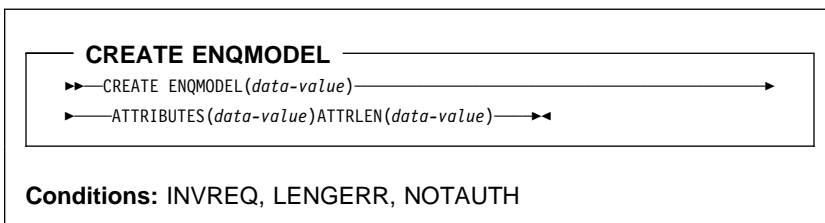
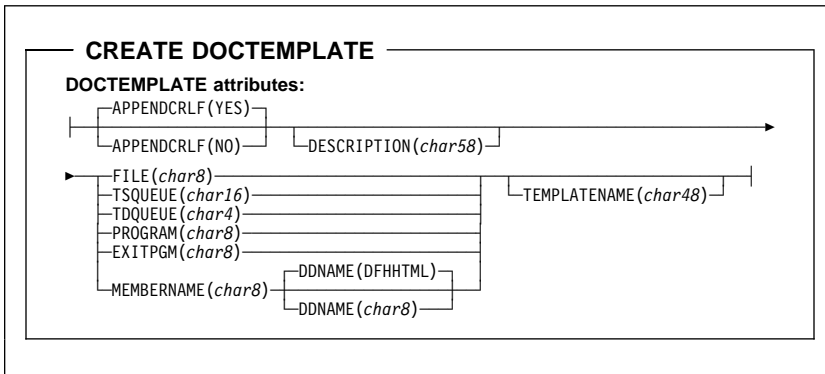
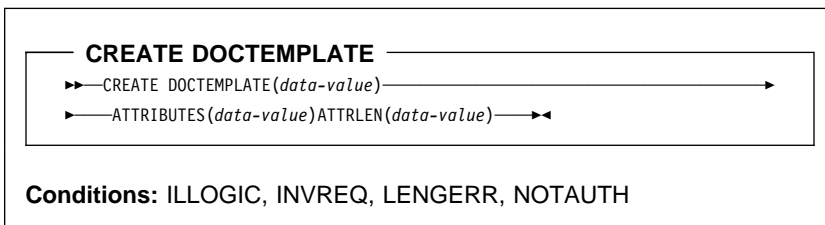
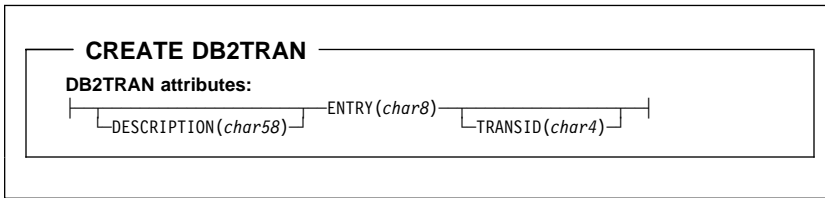
CREATE DB2TRAN

```

▶▶ CREATE DB2TRAN (data-value) ▶▶
▶ ATTRIBUTES (data-value) ATTRLEN (data-value) ▶▶
  
```

Conditions: ILLOGIC, INVREQ, LENGERR, NOTAUTH

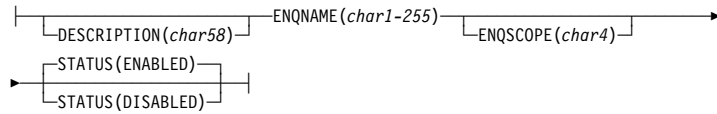
SPI syntax



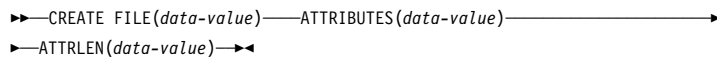
SPI syntax

CREATE ENQMODEL

ENQMODEL attributes:



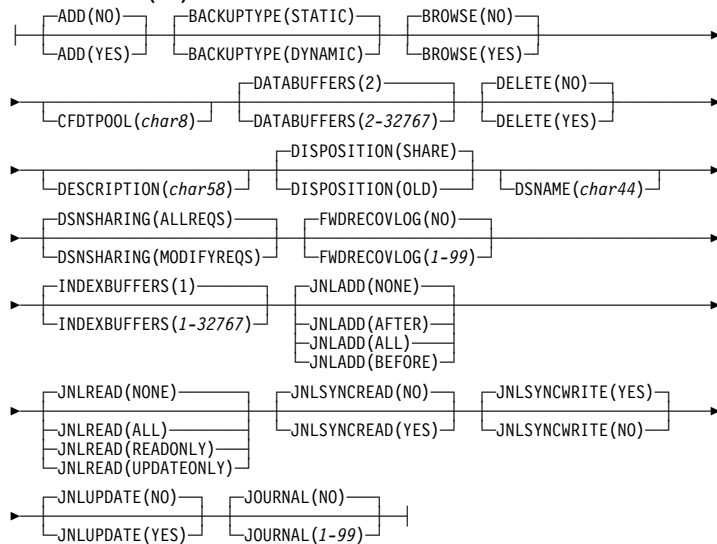
CREATE FILE



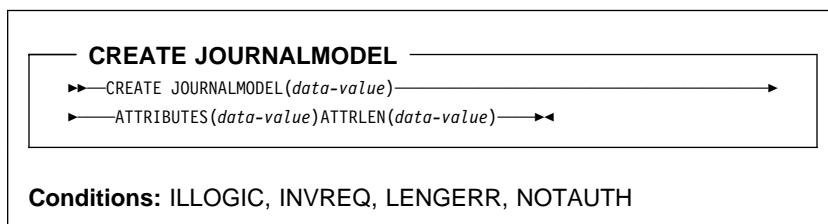
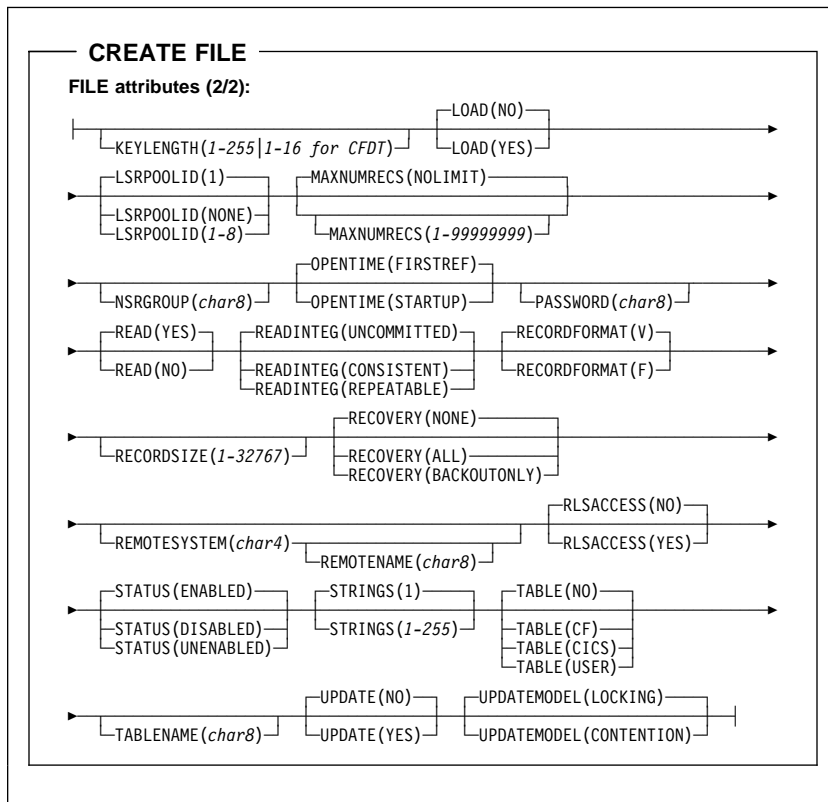
Conditions: ILLOGIC, INVREQ, LENGERR, NOTAUTH

CREATE FILE

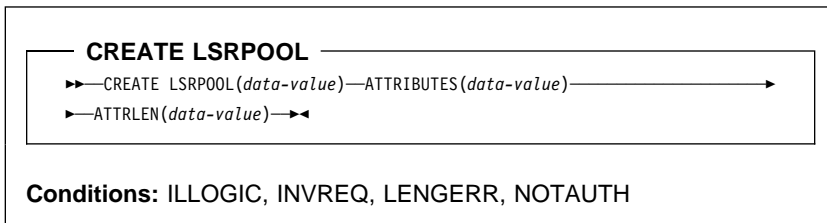
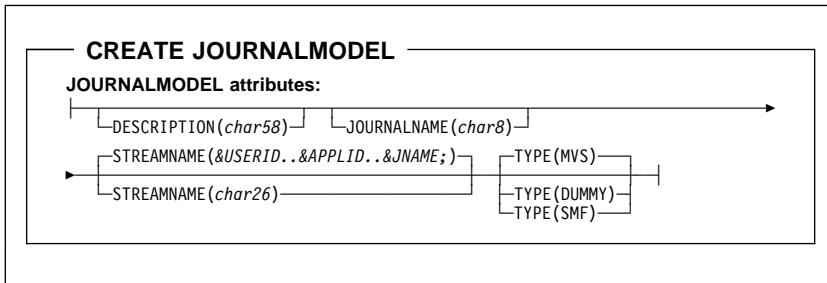
FILE attributes (1/2):



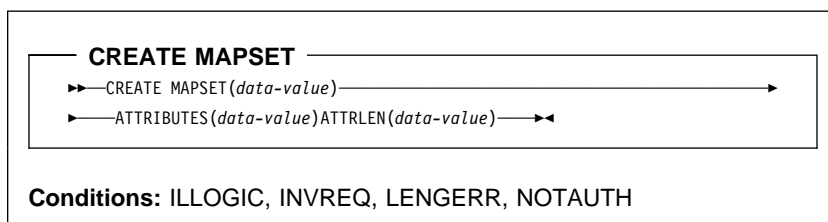
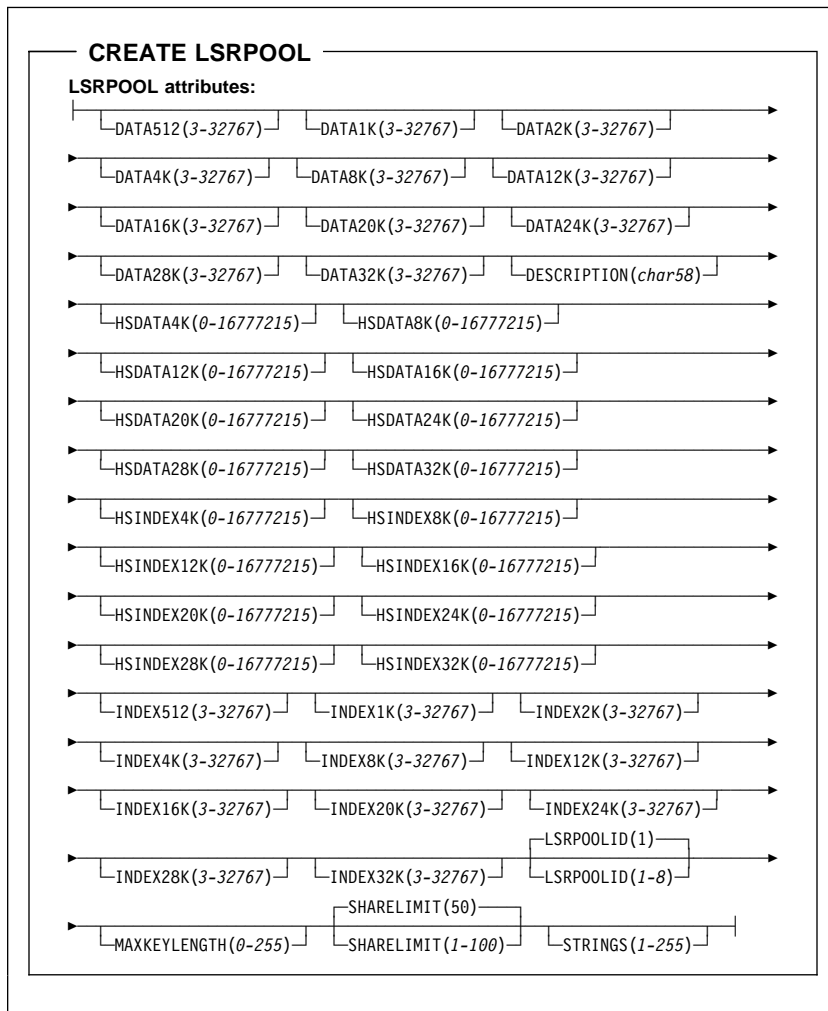
SPI syntax



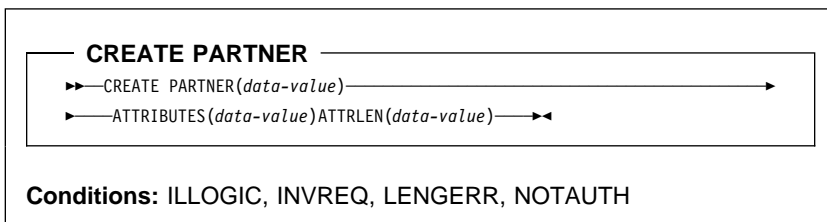
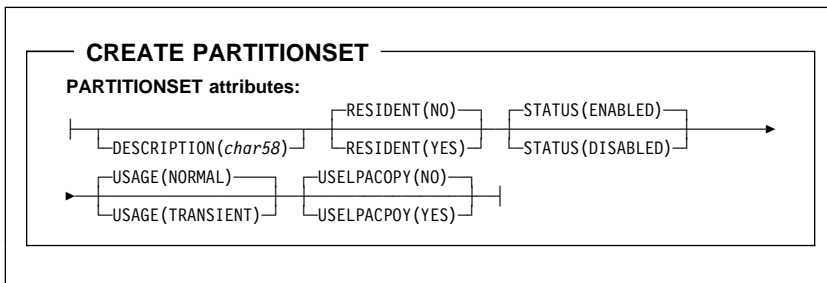
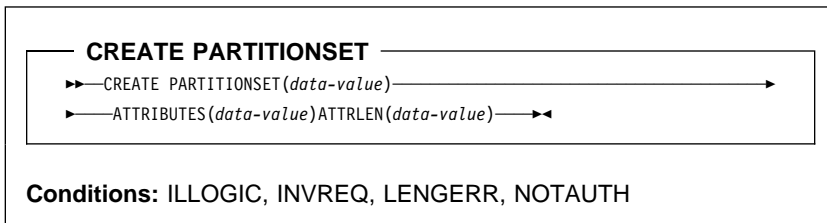
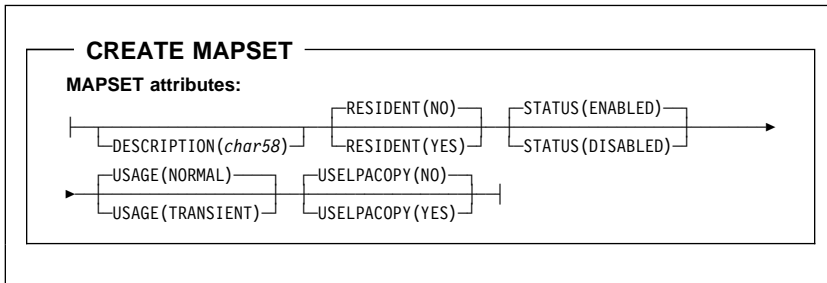
SPI syntax



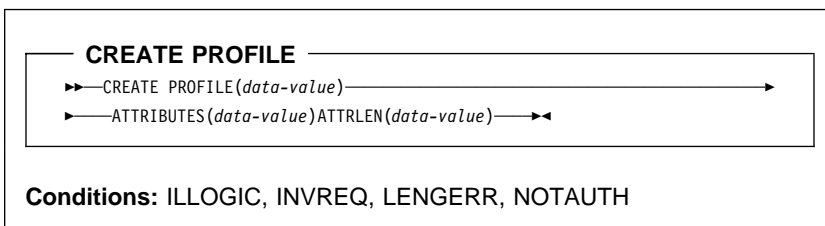
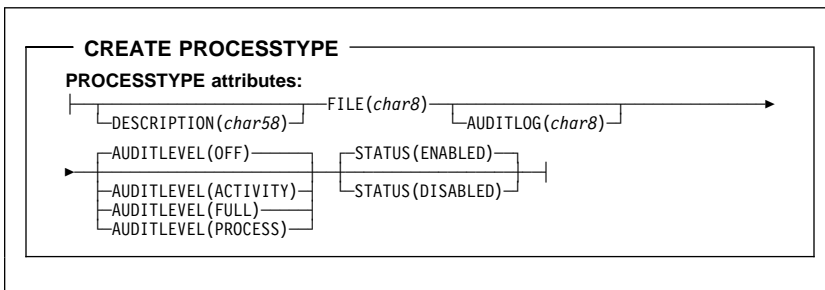
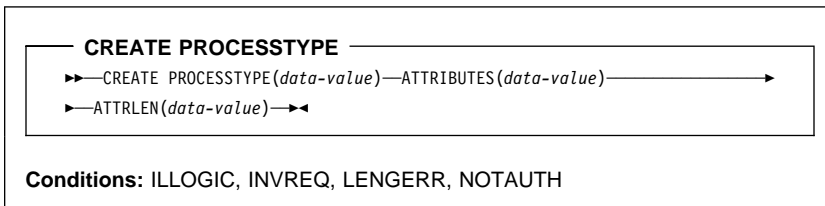
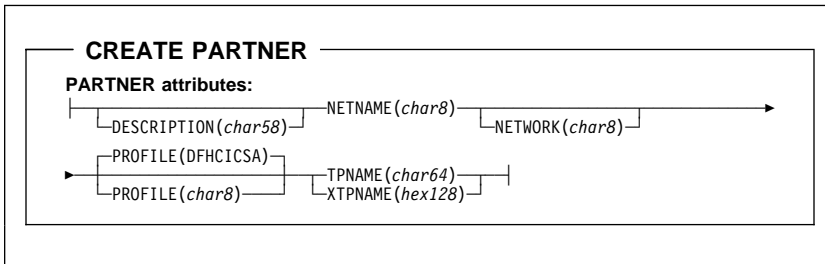
SPI syntax



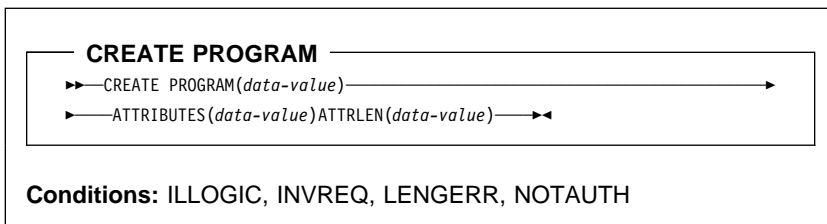
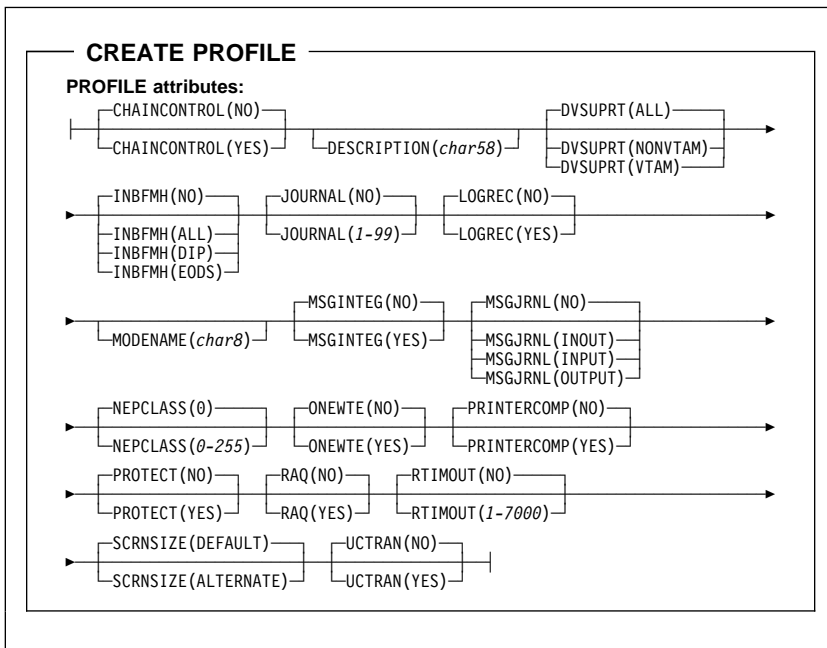
SPI syntax



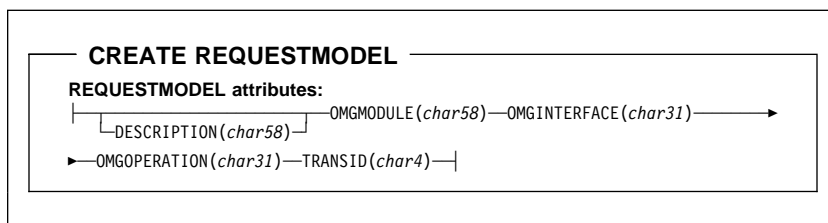
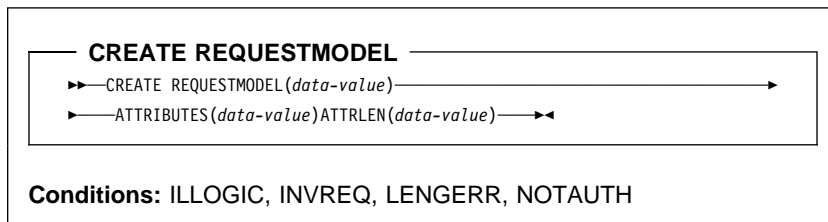
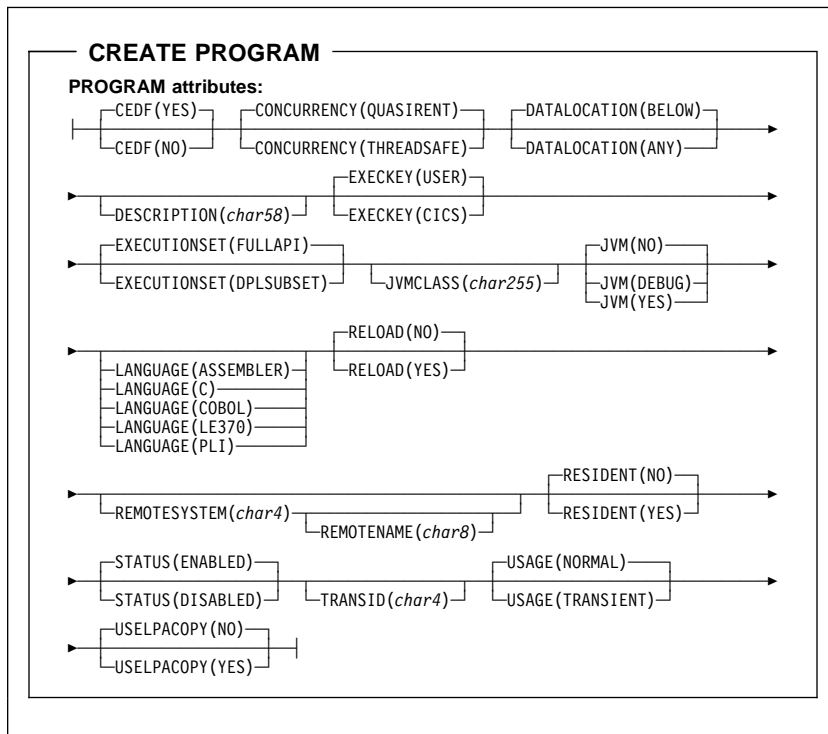
SPI syntax



SPI syntax



SPI syntax



SPI syntax

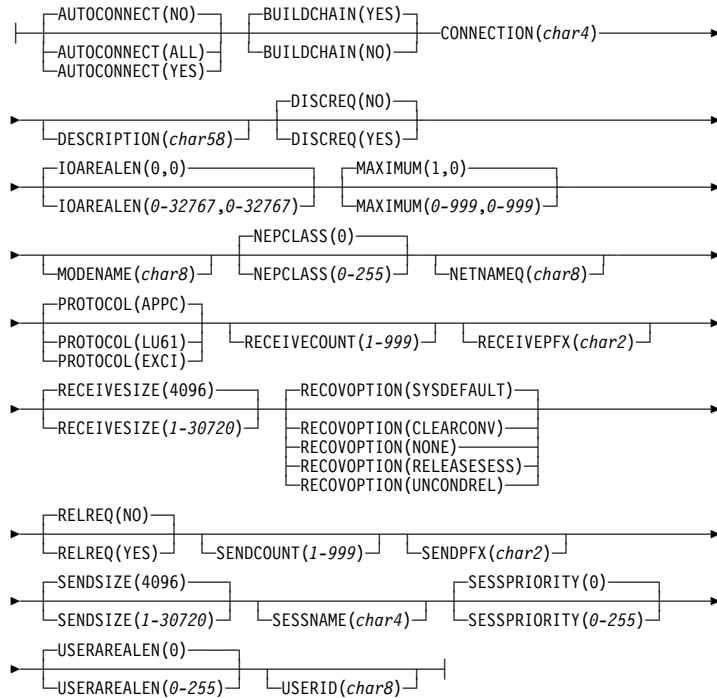
CREATE SESSIONS

► CREATE SESSIONS (*data-value*) →
 ► ATTRIBUTES (*data-value*) ATTRLEN (*data-value*) →◄

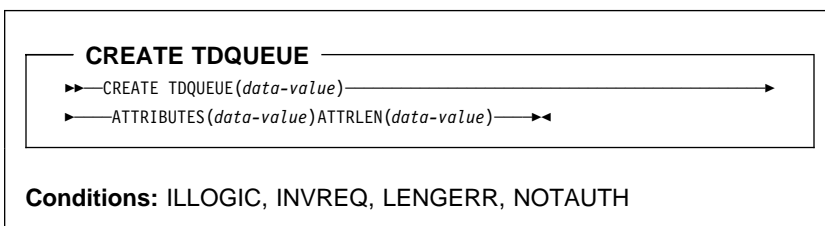
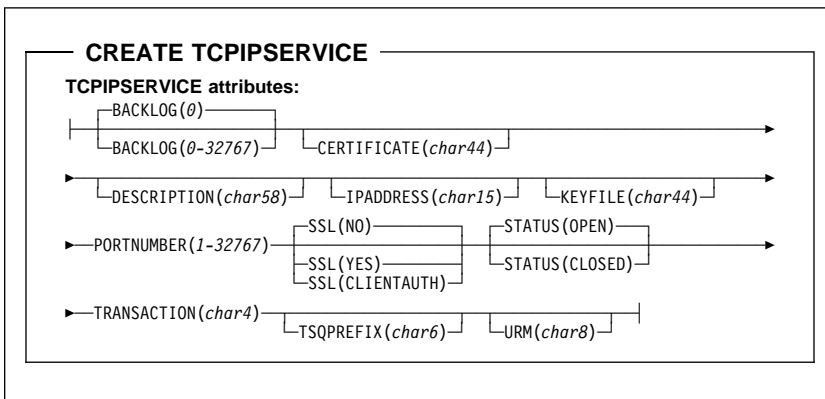
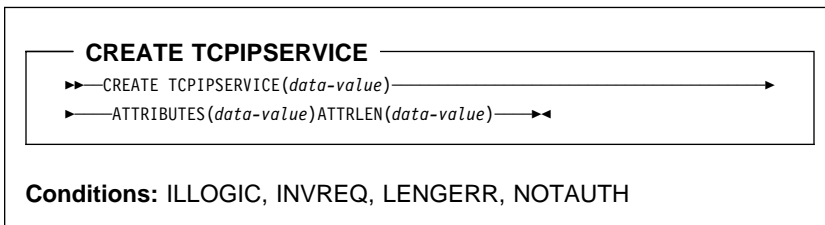
Conditions: ILLOGIC, INVREQ, LENGERR, NOTAUTH

CREATE SESSIONS

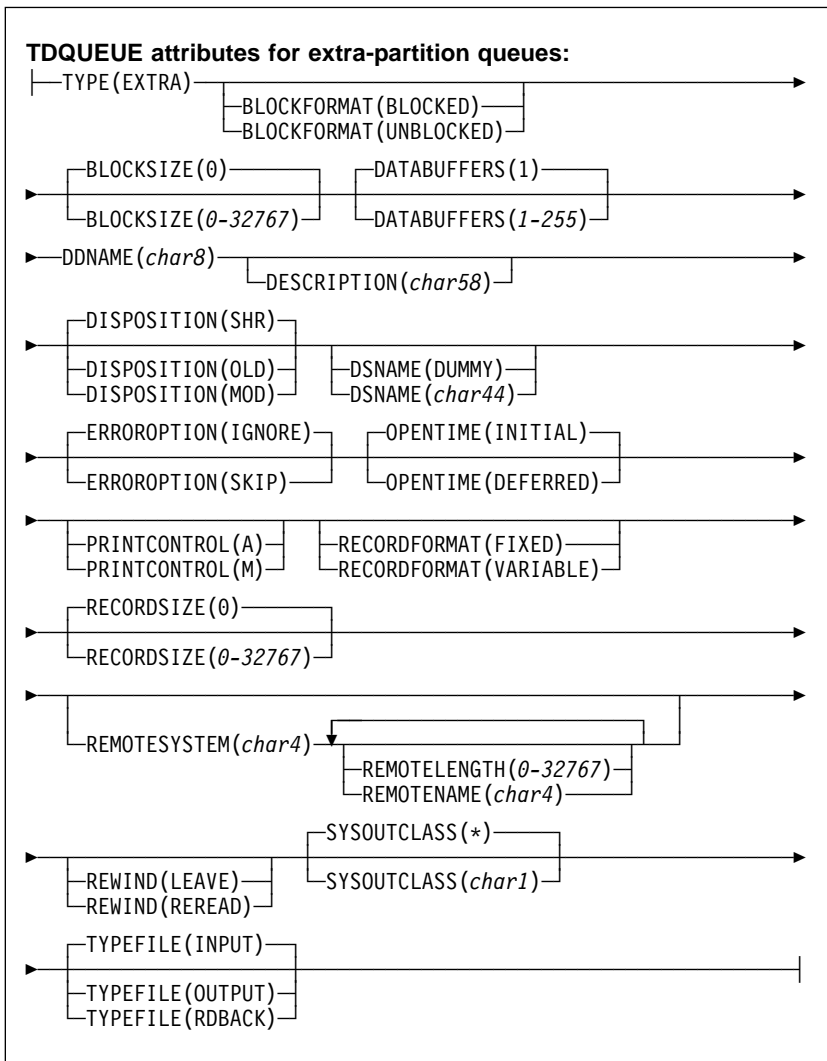
SESSIONS attributes:



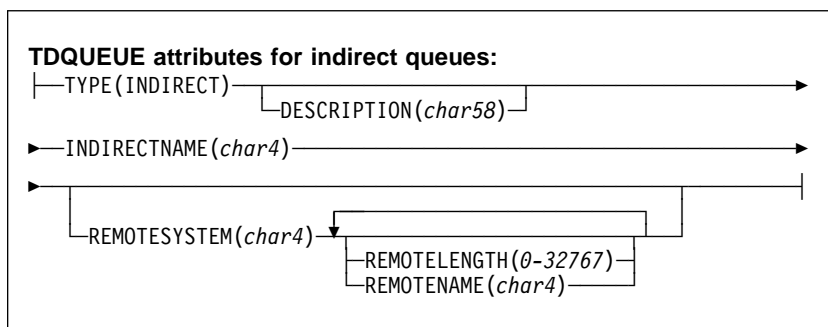
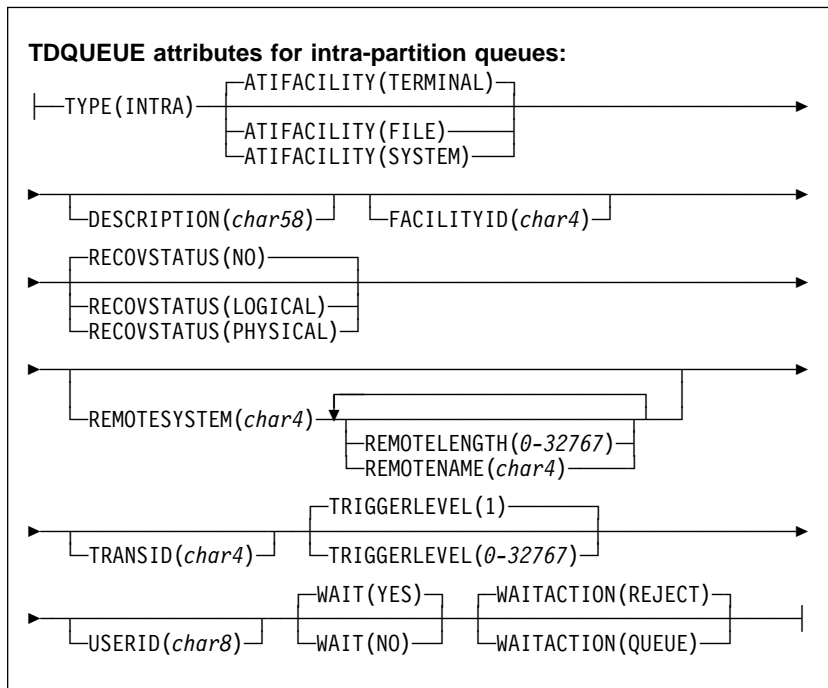
SPI syntax



SPI syntax

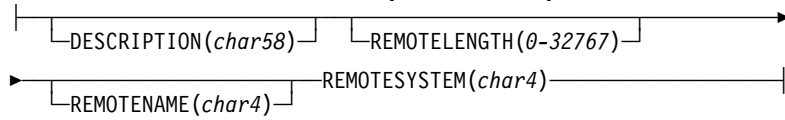


SPI syntax

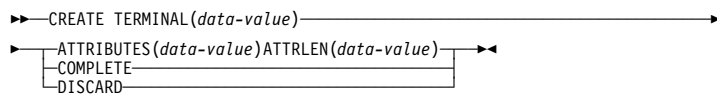


SPI syntax

TDQUEUE attributes for remote queues of unspecified TYPE:

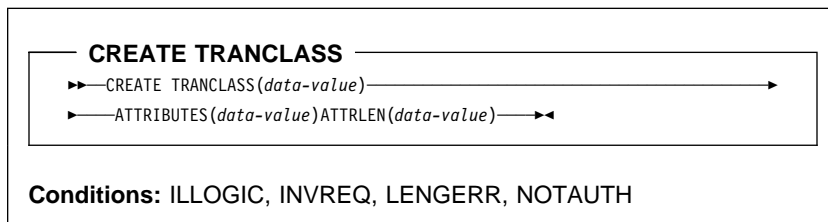
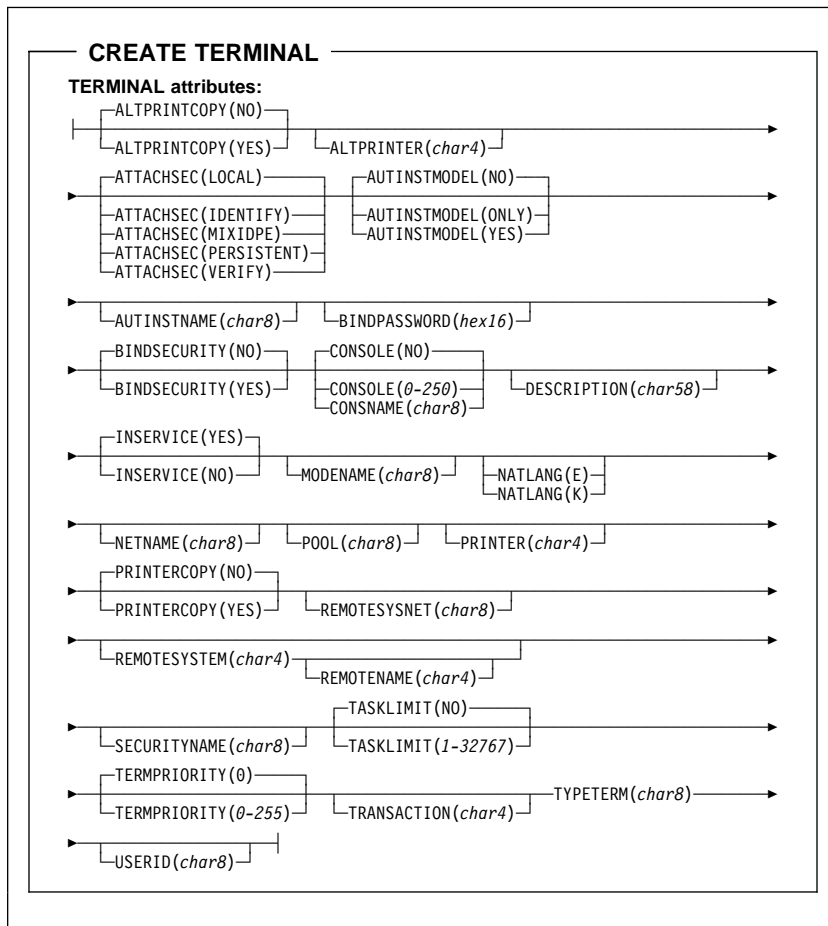


CREATE TERMINAL

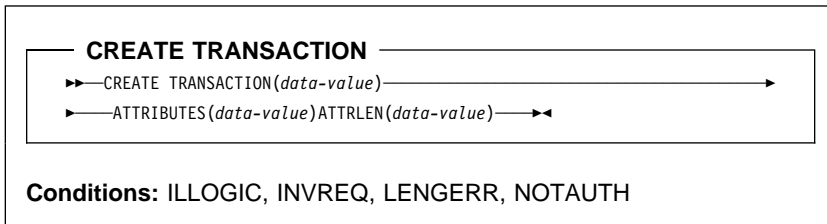
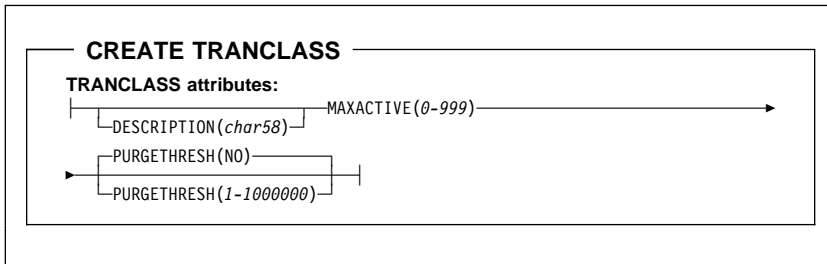


Conditions: ILLOGIC, INVREQ, LENGERR, NOTAUTH

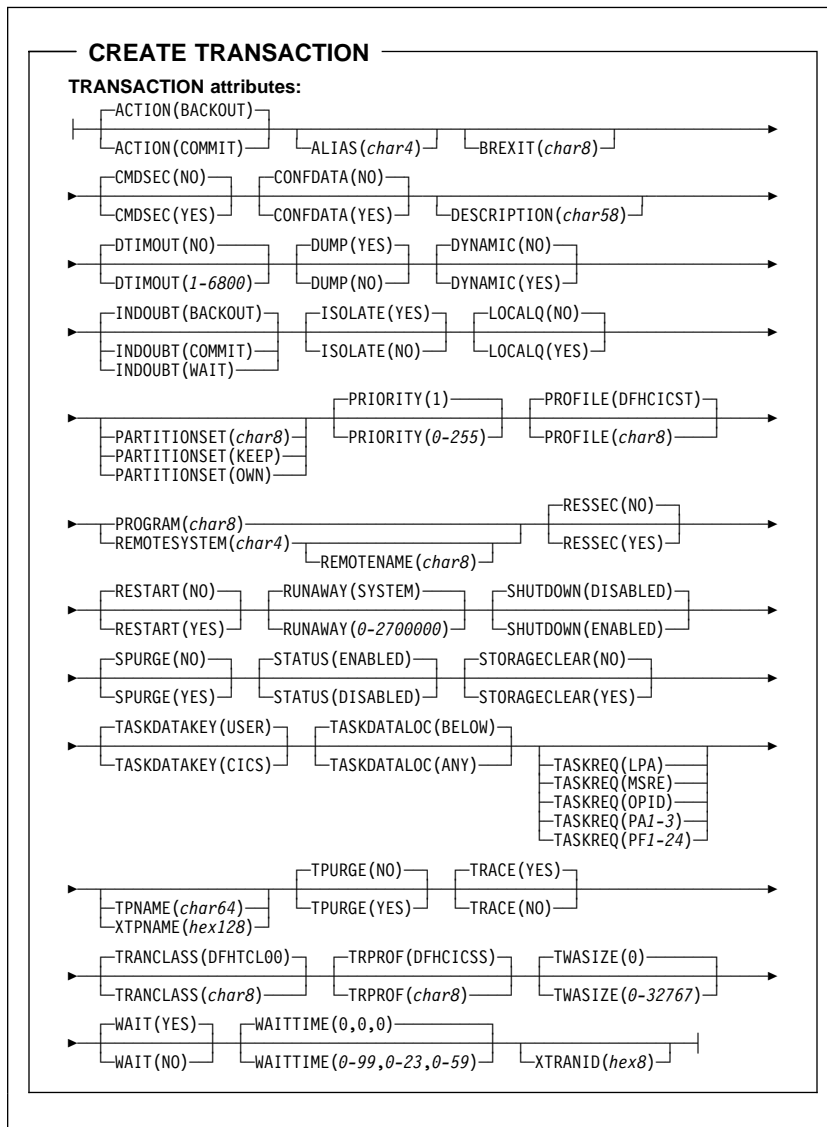
SPI syntax



SPI syntax



SPI syntax



SPI syntax

CREATE TSMODEL

```
CREATE TSMODEL(data-value)
ATTRIBUTES(data-value)ATTRLEN(data-value)
```

Conditions: ILLOGIC, INVREQ, LENGERR, NOTAUTH

CREATE TSMODEL

TSMODEL attributes:

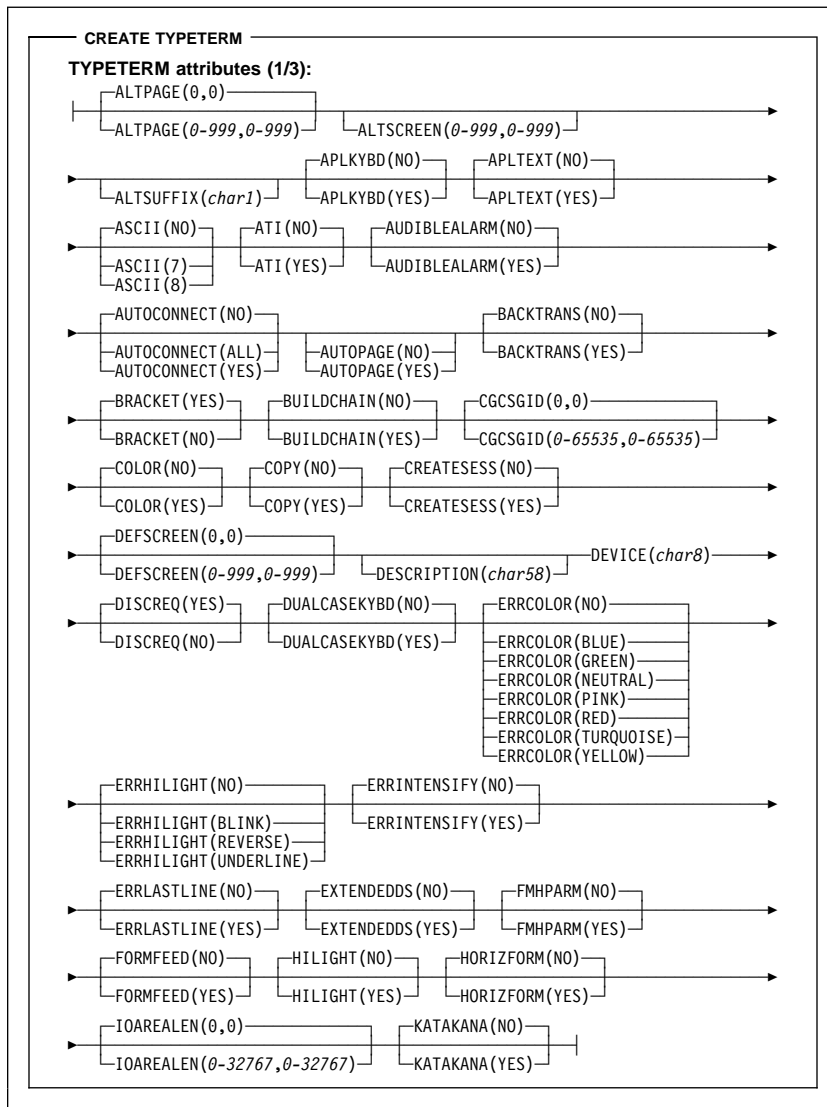
```
DESCRIPTION(char58)
  LOCATION(AUXILIARY)
  LOCATION(MAIN)
POOLNAME(char8)
  PREFIX(char16)
  XPREFIX(char32)
  RECOVERY(NO)
  RECOVERY(YES)
REMOTESYSTEM(char4)
  REMOTEPREFIX(char16)
  XREMOTEPFX(char32)
  SECURITY(NO)
  SECURITY(YES)
```

CREATE TYPETERM

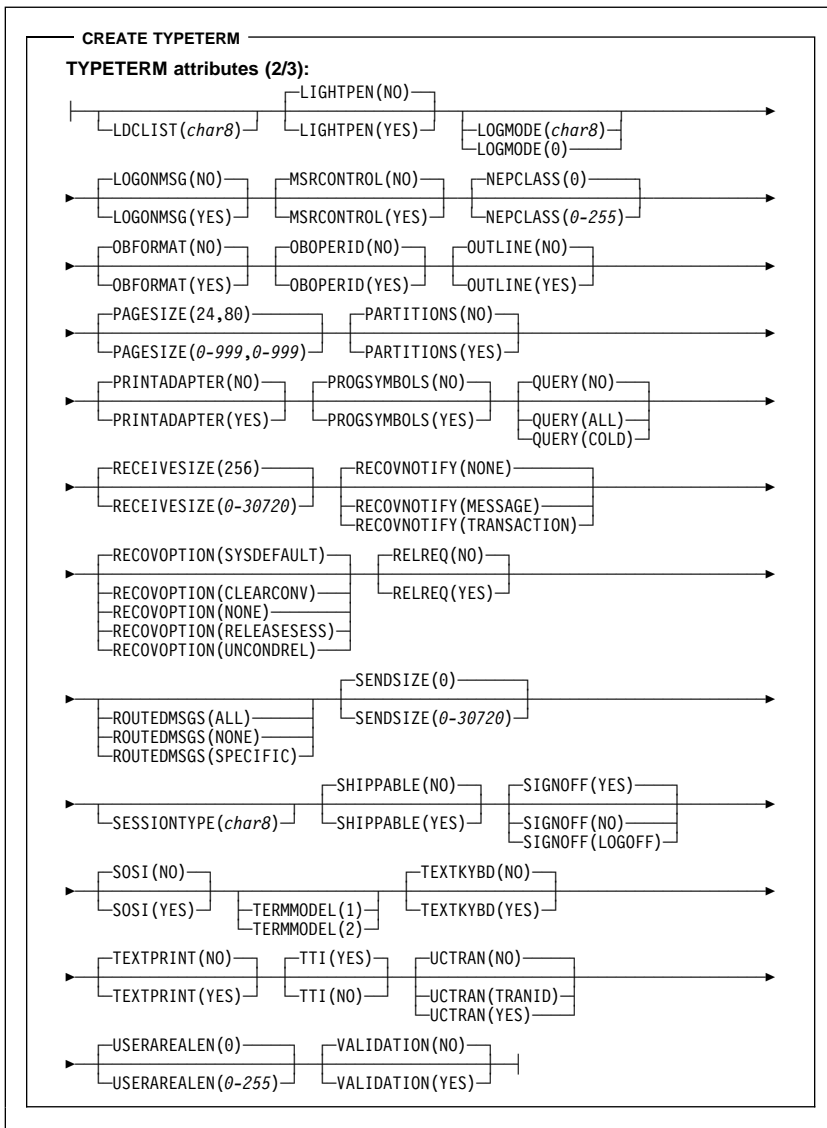
```
CREATE TYPETERM(data-value)ATTRIBUTES(data-value)
ATTRLEN(data-value)
```

Conditions: ILLOGIC, INVREQ, LENGERR, NOTAUTH

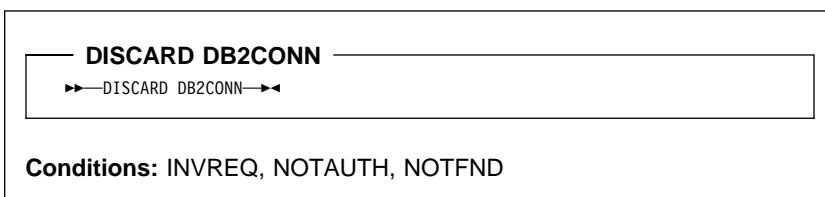
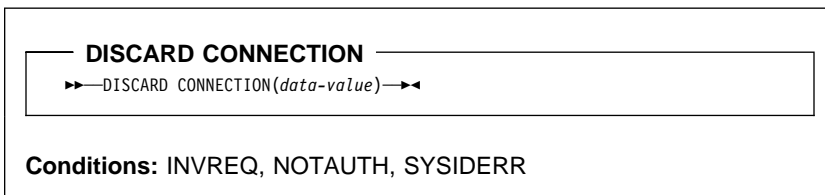
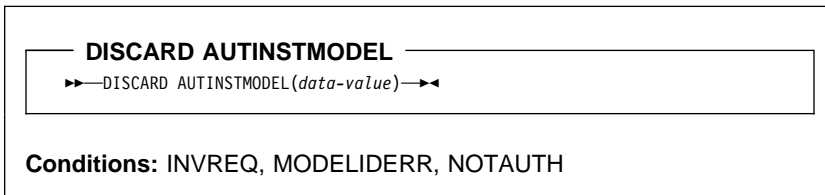
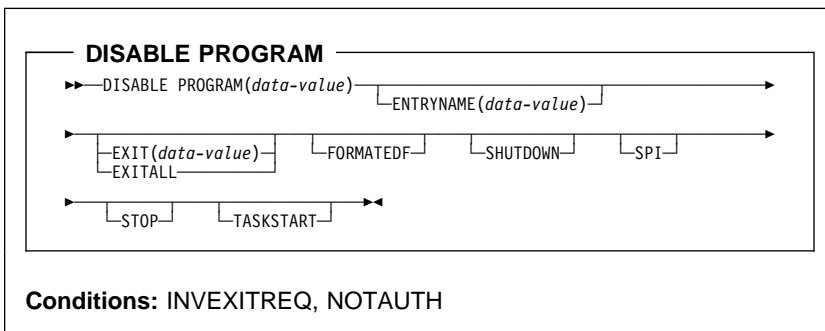
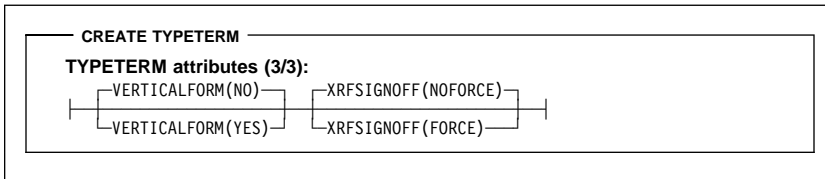
SPI syntax



SPI syntax



SPI syntax



SPI syntax

DISCARD DB2ENTRY

```
»DISCARD DB2ENTRY(data-value)«
```

Conditions: NOTFND, INVREQ, NOTAUTH

DISCARD DB2TRAN

```
»DISCARD DB2TRAN(data-value)«
```

Conditions: NOTFND, NOTAUTH

DISCARD DOCTEMPLATE

```
»DISCARD DOCTEMPLATE(data-value)«
```

Conditions: NOTAUTH, NOTFND

DISCARD ENQMODEL

```
»DISCARD ENQMODEL(data-value)«
```

Conditions: NOTAUTH, NOTFND

DISCARD FILE

```
»DISCARD FILE(data-value)«
```

Conditions: FILENOTFOUND, INVREQ, NOTAUTH

SPI syntax

DISCARD JOURNALMODEL

»DISCARD JOURNALMODEL(*data-value*)«

Conditions: NOTAUTH, NOTFND

DISCARD JOURNALNAME

»DISCARD JOURNALNAME(*data-value*)«

Conditions: INVREQ, JIDERR, NOTAUTH

DISCARD PARTNER

»DISCARD PARTNER(*data-value*)«

Conditions: INVREQ, NOTAUTH, PARTNERIDERR

DISCARD PROCESSTYPE

»DISCARD PROCESSTYPE(*data-value*)«

Conditions: INVREQ, NOTAUTH, PROCESSERR

DISCARD PROFILE

»DISCARD PROFILE(*data-value*)«

Conditions: INVREQ, NOTAUTH, PROFILEIDERR

SPI syntax

DISCARD PROGRAM

```
»DISCARD PROGRAM(data-value)«
```

Conditions: INVREQ, NOTAUTH, PGMIDERR

DISCARD REQUESTMODEL

```
»DISCARD REQUESTMODEL(data-value)«
```

Conditions: NOTAUTH, NOTFND

DISCARD TCIPSERVICE

```
»DISCARD TCIPSERVICE(data-value)«
```

Conditions: INVREQ, NOTAUTH, NOTFND

DISCARD TDQUEUE

```
»DISCARD TDQUEUE(data-value)«
```

Conditions: INVREQ, NOTAUTH, QIDERR

DISCARD TERMINAL

```
»DISCARD TERMINAL(data-value)«
```

Conditions: INVREQ, NOTAUTH, TERMIDERR

SPI syntax

DISCARD TRANCLASS

▶▶—DISCARD TRANCLASS(*data-value*)—▶▶

Conditions: INVREQ, NOTAUTH, TCIDERR

DISCARD TRANSACTION

▶▶—DISCARD TRANSACTION(*data-value*)—▶▶

Conditions: INVREQ, NOTAUTH, TRANSIDERR

DISCARD TSMODEL

▶▶—DISCARD TSMODEL(*data-value*)—▶▶

Conditions: INVREQ, NOTAUTH, NOTFND

ENABLE PROGRAM

▶▶—ENABLE PROGRAM(*data-value*)—▶▶

ENTRY(<i>ptr-ref</i>)
ENTRYNAME(<i>data-value</i>)
EXIT(<i>data-value</i>)
FORMATEDF
GALENGTH(<i>data-value</i>)
GAENTRYNAME(<i>data-value</i>)
INDOUBTWAIT
LINKEDITMODE
QUASIRENT
THREADSAFE
OPENAPI
SHUTDOWN
SPI
START
TALENGTH(<i>data-value</i>)
TASKSTART

Conditions: INVEXITREQ, NOTAUTH

SPI syntax

EXTRACT EXIT

▶▶—EXTRACT EXIT PROGRAM(*data-value*)—ENTRYNAME(*data-value*)—▶
▶—GALENGTH(*data-area*)—GASET(*ptr-ref*)—▶◀

Conditions: INVEXITREQ, NOTAUTH

INQUIRE AUTINSTMODEL

▶▶—INQUIRE AUTINSTMODEL(*data-value*)—▶◀

Conditions: END, ILLOGIC, MODELIDERR, NOTAUTH

INQUIRE AUTOINSTALL

▶▶—INQUIRE AUTOINSTALL—▶◀
—CONSOLES(*cvda*)—
—CURREQS(*data-area*)—
—ENABLESTATUS(*cvda*)—
—MAXREQS(*data-area*)—
—PROGRAM(*data-area*)—

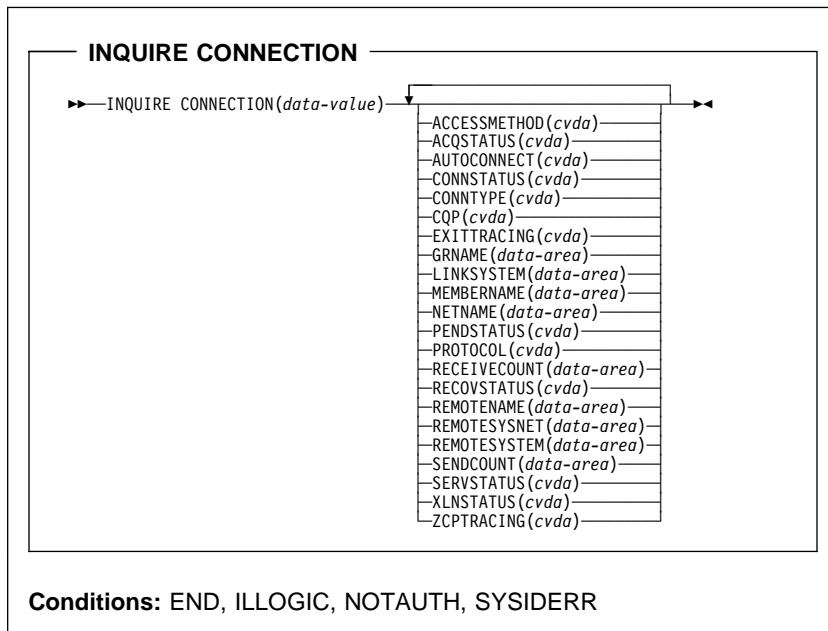
Conditions: NOTAUTH

INQUIRE CFDTPPOOL

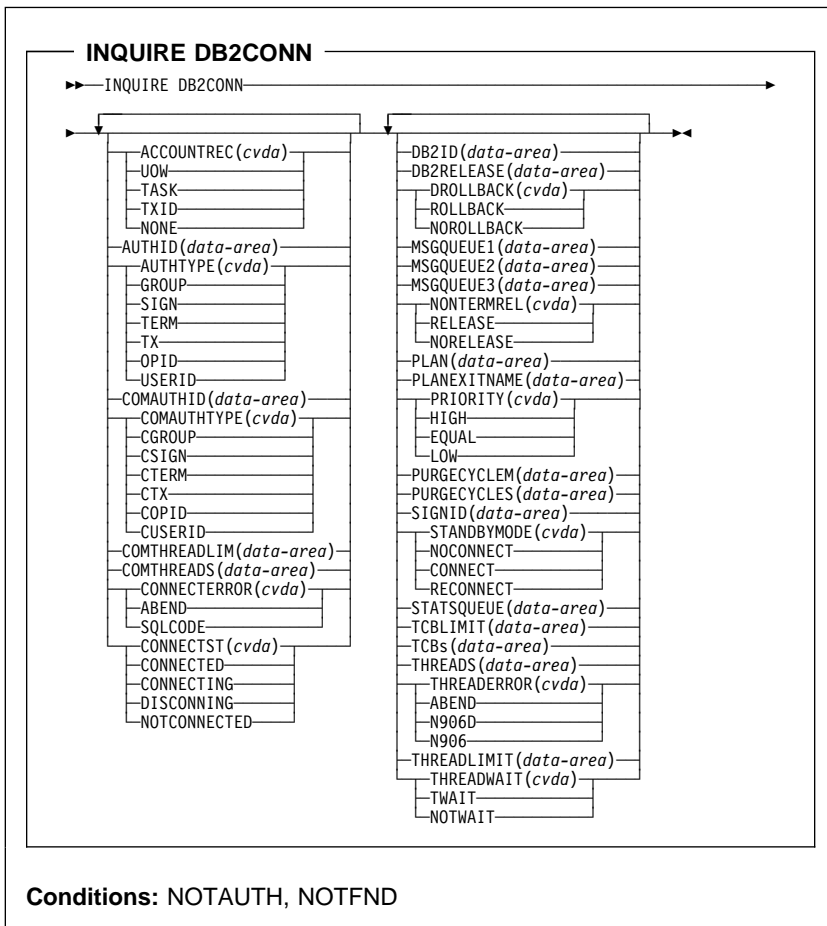
▶▶—INQUIRE CFDTPPOOL(*data-value*)—CONNSTATUS(*cvda*)—▶◀

Conditions: END, ILLOGIC, NOTAUTH, POOLERR

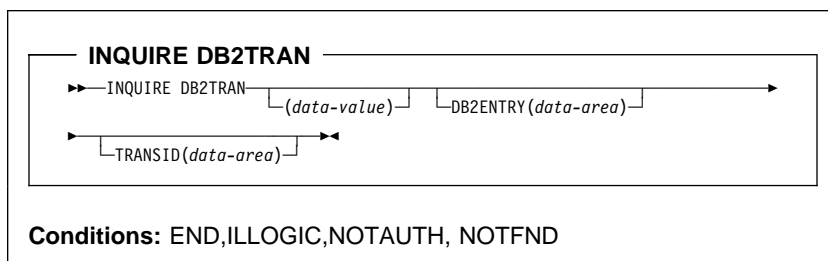
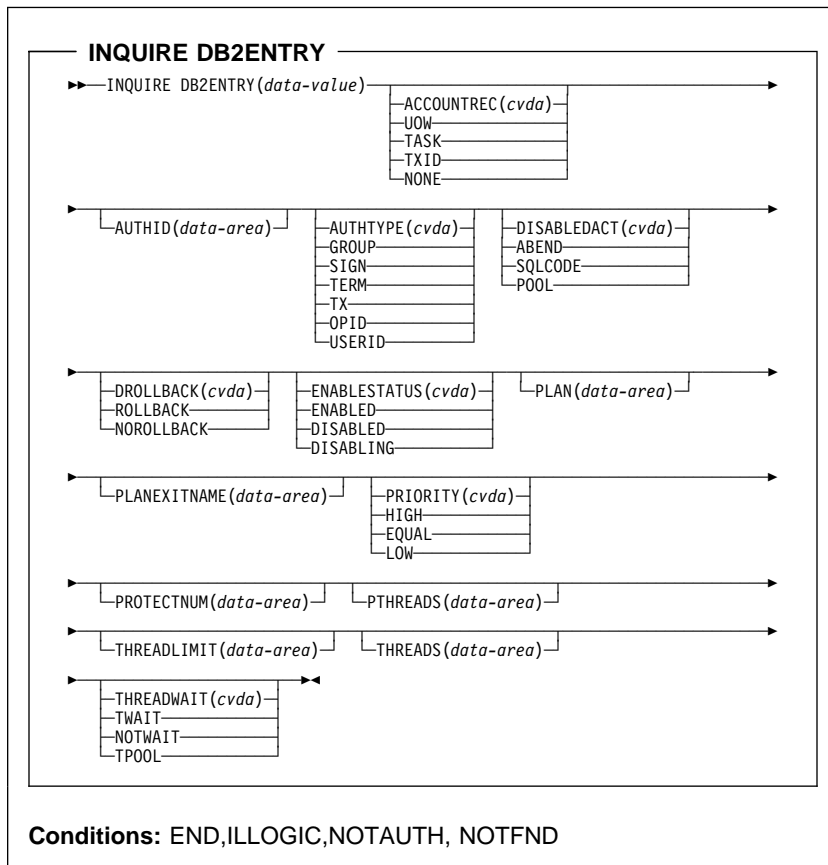
SPI syntax



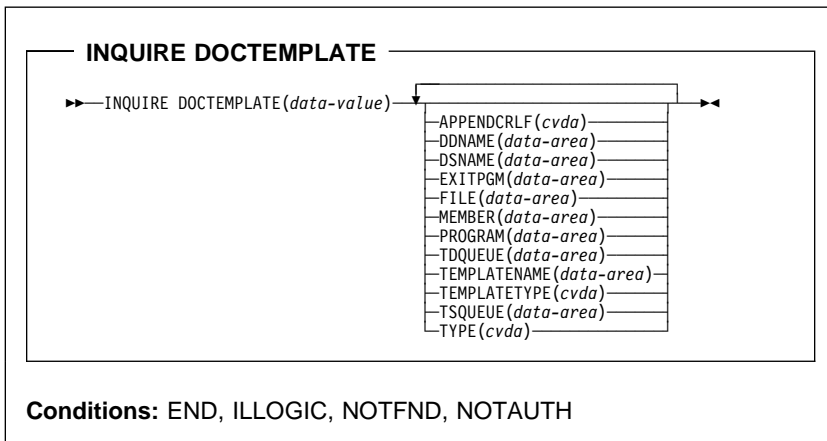
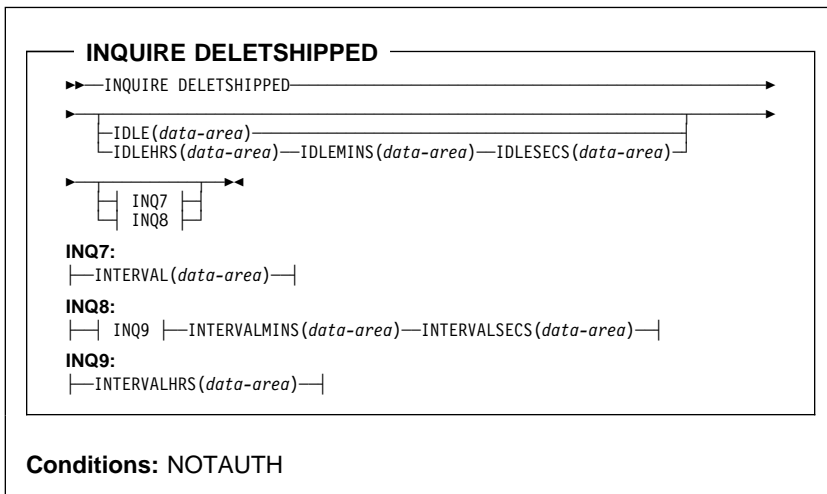
SPI syntax



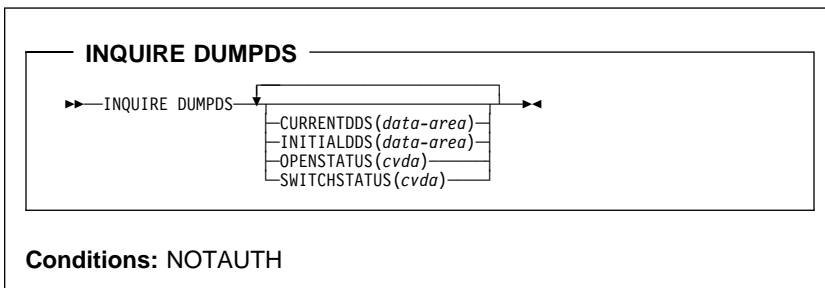
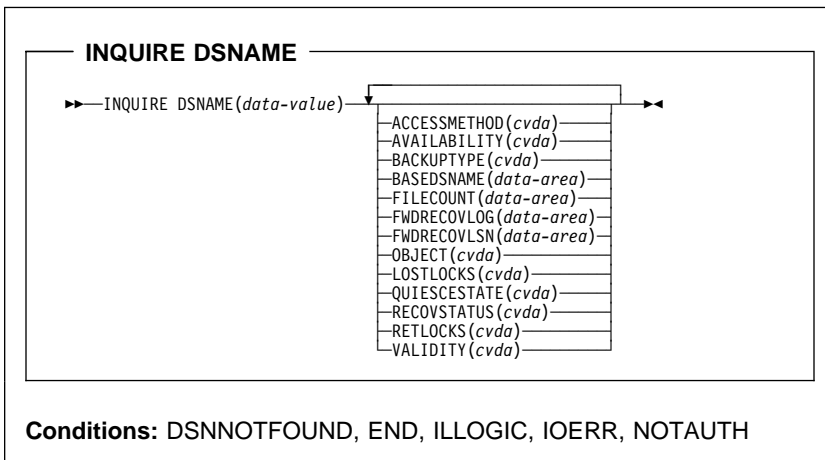
SPI syntax



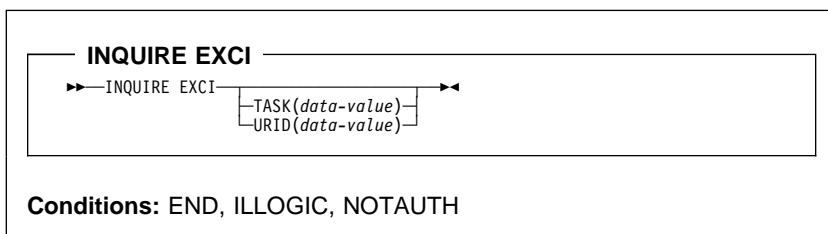
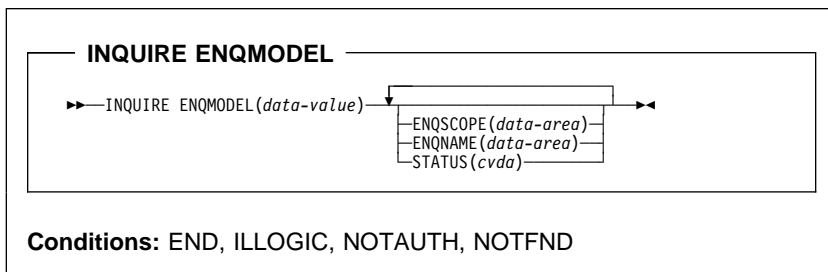
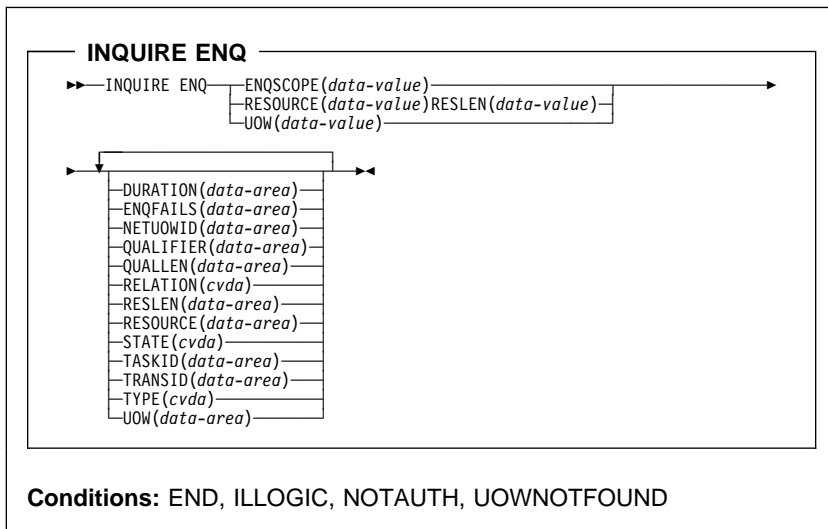
SPI syntax



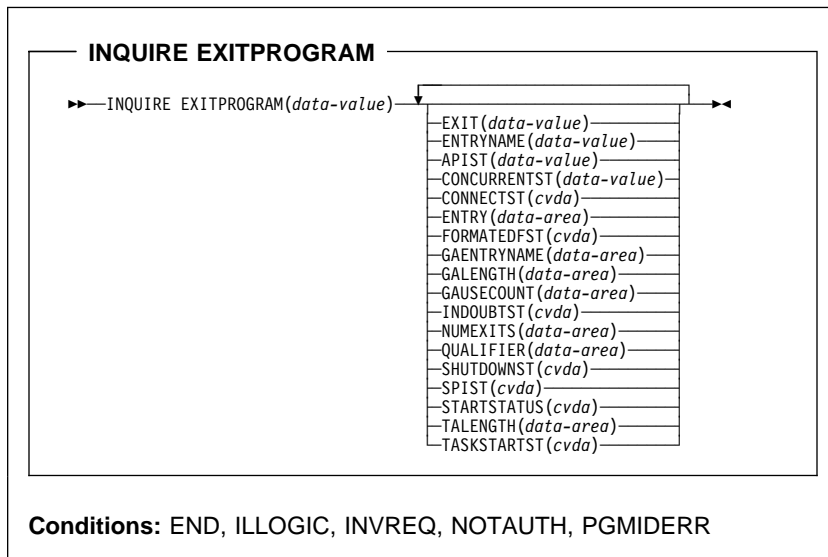
SPI syntax



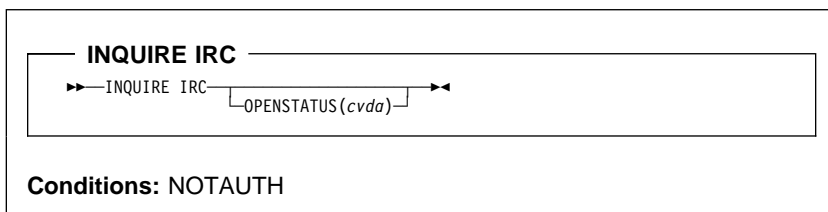
SPI syntax



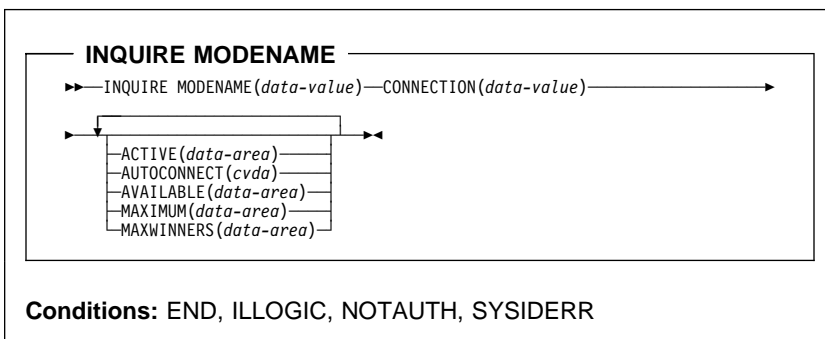
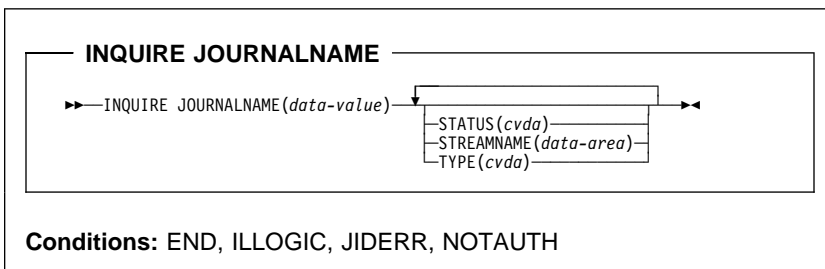
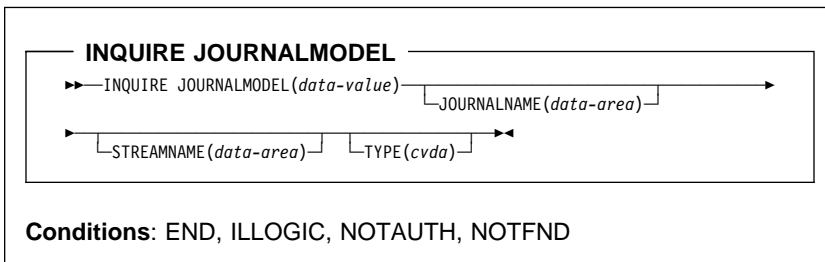
SPI syntax



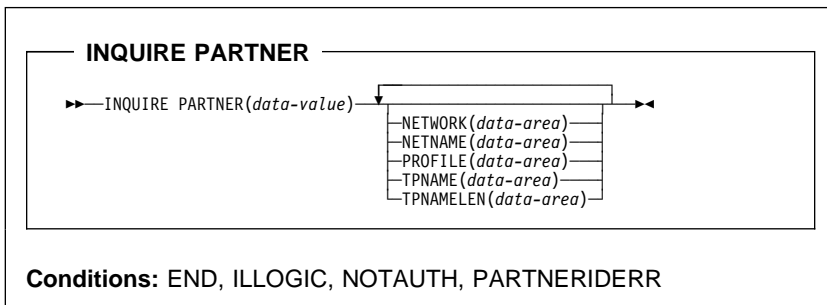
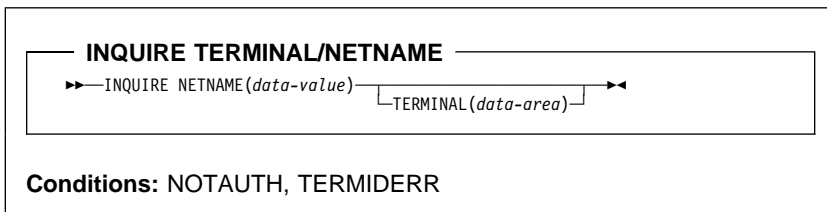
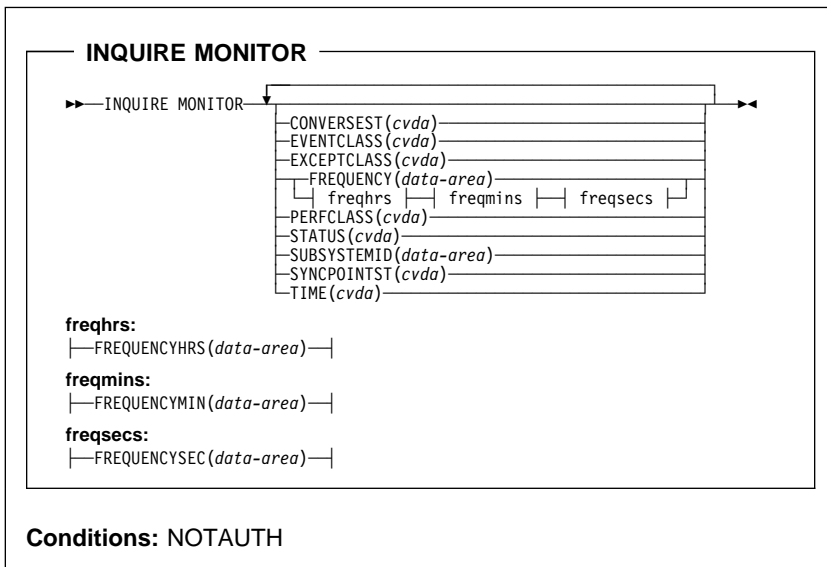
SPI syntax



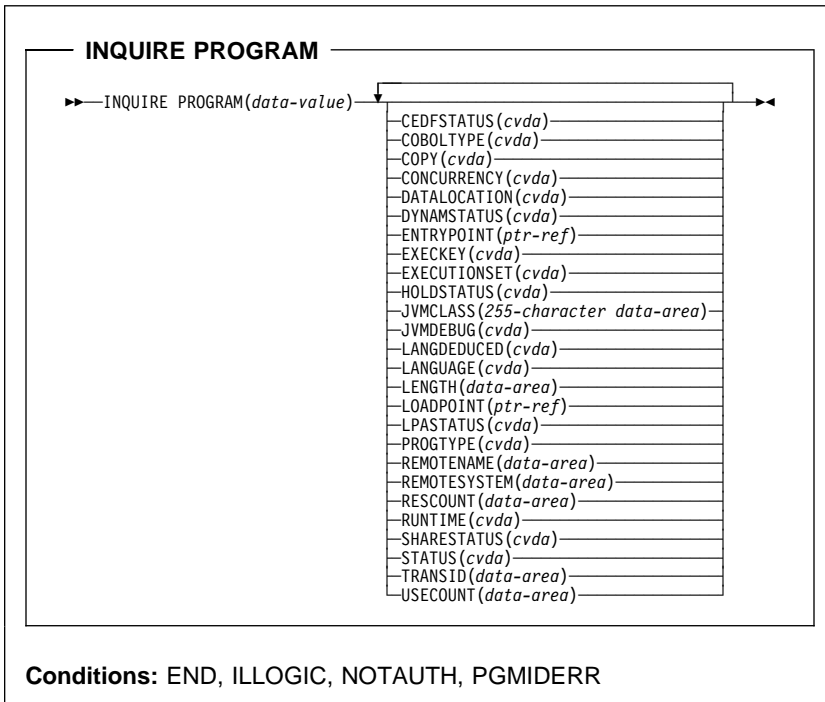
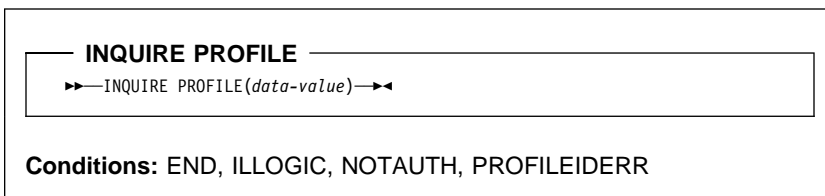
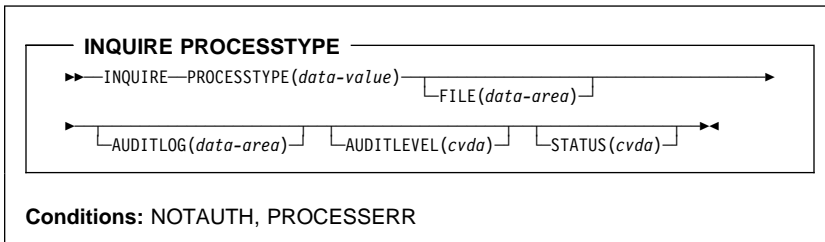
SPI syntax



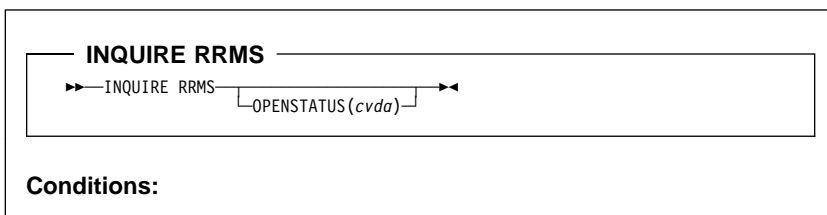
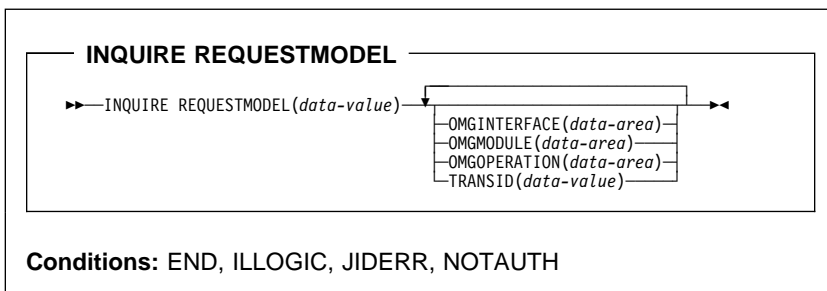
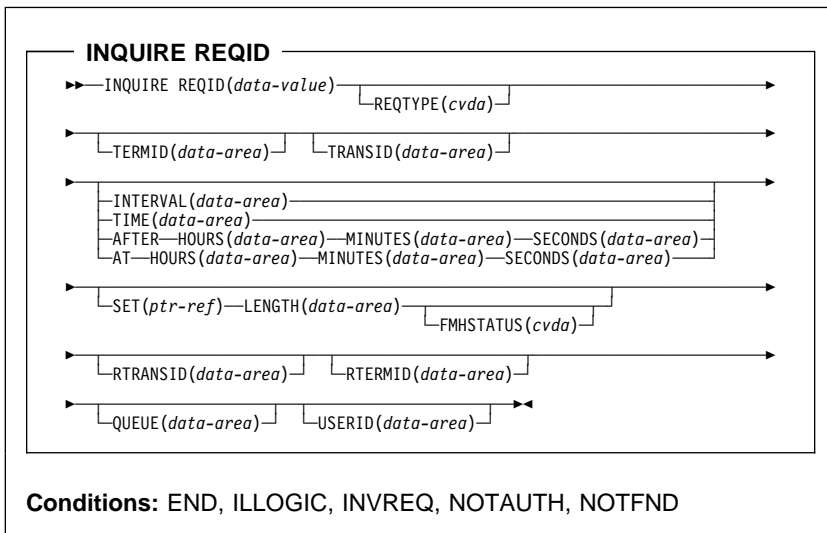
SPI syntax



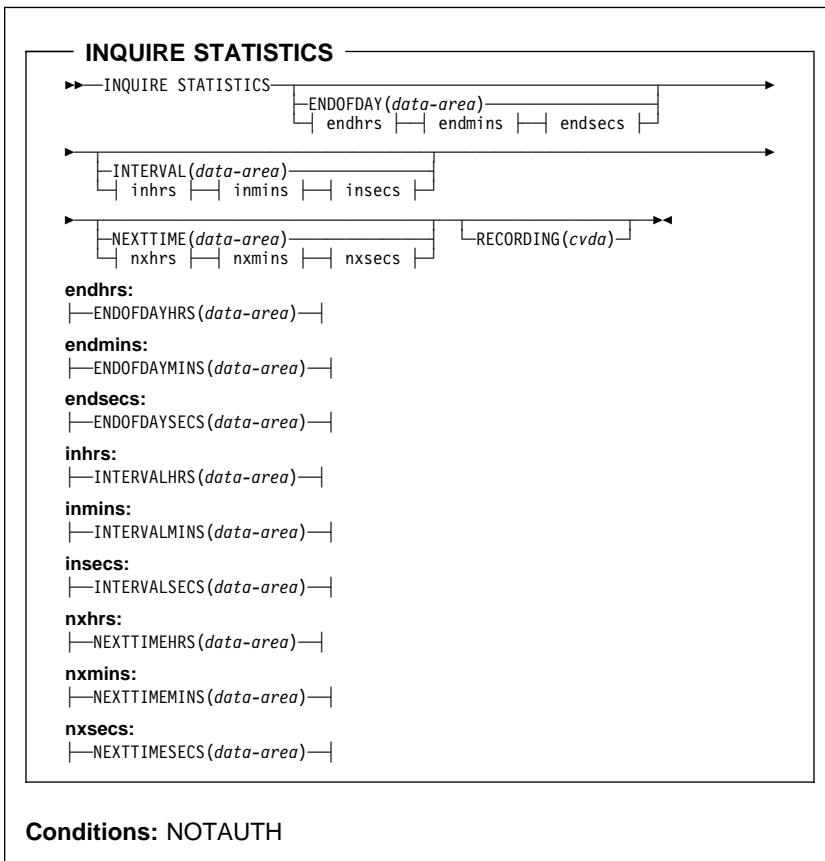
SPI syntax



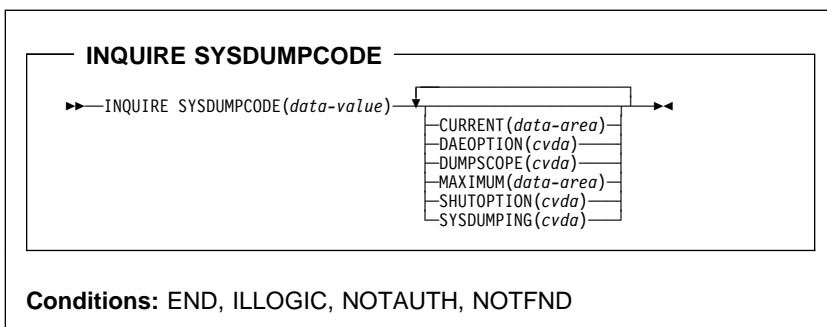
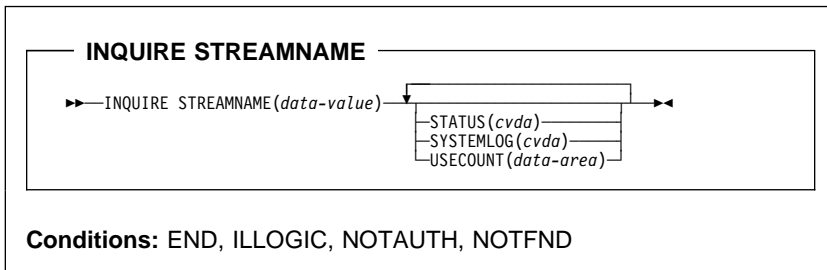
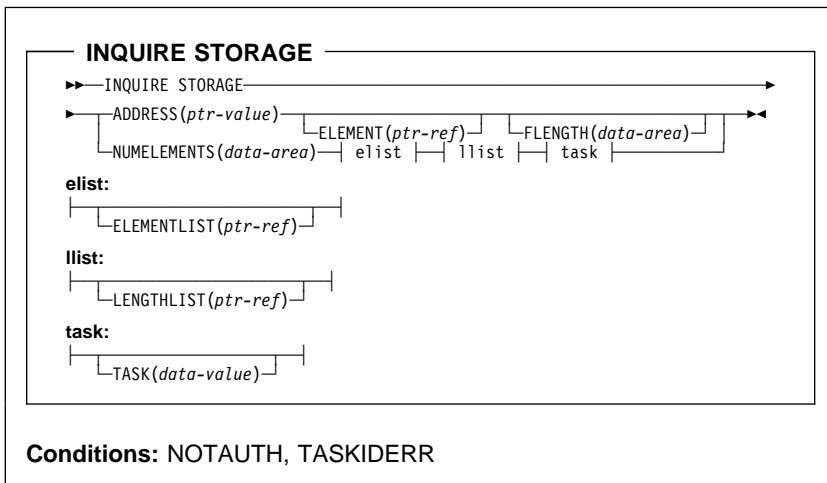
SPI syntax



SPI syntax



SPI syntax

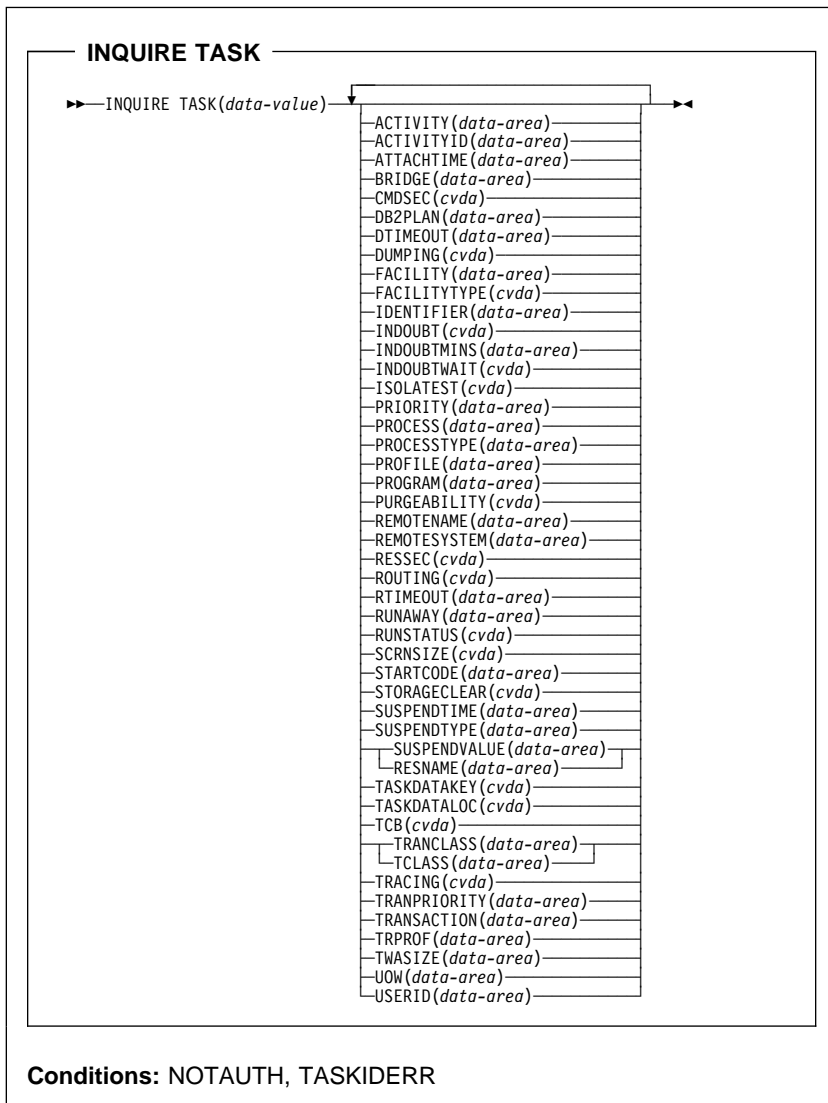


SPI syntax

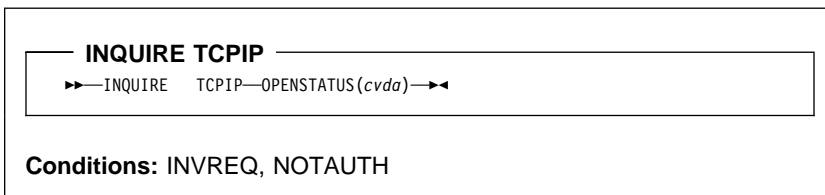
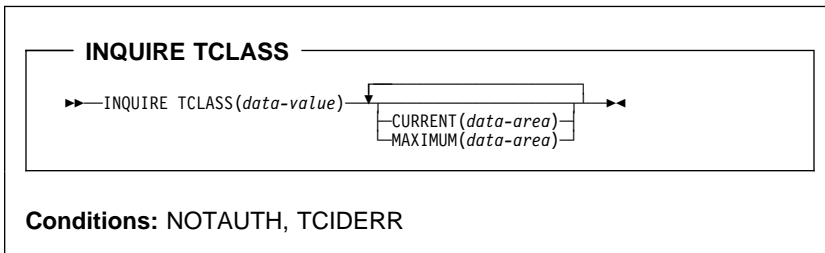
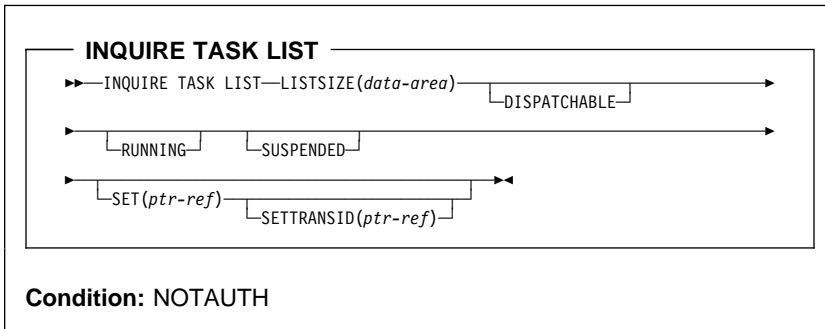
INQUIRE SYSTEM	
INQUIRE SYSTEM	
	ACTOPENTCBS (<i>data-area</i>)
	AKP (<i>data-area</i>)
	CDSASIZE (<i>data-area</i>)
	CICSTATUS (<i>cvda</i>)
	CICSSYS (<i>data-area</i>)
	CICSTSLEVEL (<i>data-area</i>)
	CMDPROTECT (<i>cvda</i>)
	COLDSTATUS (<i>cvda</i>)
	DB2CONN (<i>data-area</i>)
	DFLTUSER (<i>data-area</i>)
	DSALIMIT (<i>data-area</i>)
	DSRTPROGRAM (<i>data-area</i>)
	DTRPROGRAM (<i>data-area</i>)
	DUMPING (<i>cvda</i>)
	ECDSASIZE (<i>data-area</i>)
	EDSALIMIT (<i>data-area</i>)
	ERDSASIZE (<i>data-area</i>)
	ESDSASIZE (<i>data-area</i>)
	EUDSASIZE (<i>data-area</i>)
	FORCEQR (<i>cvda</i>)
	GMMTEXT (<i>data-area</i>) — GMMLENGTH (<i>data-area</i>)
	GMMTRANID (<i>data-area</i>)
	INITSTATUS (<i>cvda</i>)
	JOBNAME (<i>data-area</i>)
	LOGDEFER (<i>data-area</i>)
	MAXOPENTCBS (<i>data-area</i>)
	MAXTASKS (<i>data-area</i>)
	MROBATCH (<i>data-area</i>)
	OPREL (<i>data-area</i>)
	OPSYS (<i>data-area</i>)
	OSLEVEL (<i>data-area</i>)
	PROGAUTOCLG (<i>cvda</i>)
	PROGAUTOEXIT (<i>data-area</i>)
	PROGAUTOINST (<i>cvda</i>)
	PRTYAGING (<i>data-area</i>)
	RDSASIZE (<i>data-area</i>)
	REENTPROTECT (<i>cvda</i>)
	RELEASE (<i>data-area</i>)
	RLSSTATUS (<i>cvda</i>)
	RUNAWAY (<i>data-area</i>)
	SCANDELAY (<i>data-area</i>)
	SDSASIZE (<i>data-area</i>)
	SDTRAN (<i>data-area</i>)
	SECURITYMGR (<i>cvda</i>)
	SHUTSTATUS (<i>cvda</i>)
	SOSSTATUS (<i>cvda</i>)
	STARTUP (<i>cvda</i>)
	STARTUPDATE (<i>data-area</i>)
	STOREPROTECT (<i>cvda</i>)
	TIME (<i>data-area</i>)
	TRANSOLATE (<i>cvda</i>)
	UDSASIZE (<i>data-area</i>)
	XRFSTATUS (<i>cvda</i>)

Condition: NOTAUTH

SPI syntax

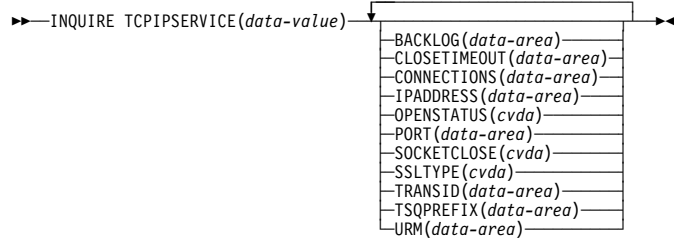


SPI syntax



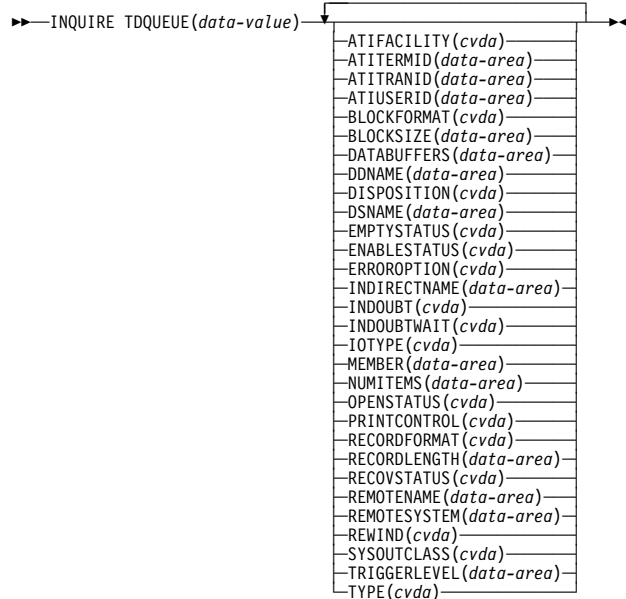
SPI syntax

INQUIRE TCIPService



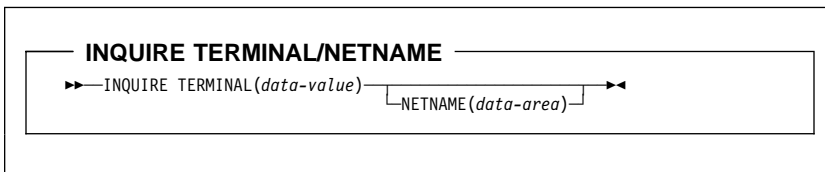
Conditions: INVREQ, NOTAUTH, NOTFND

INQUIRE TDQUEUE

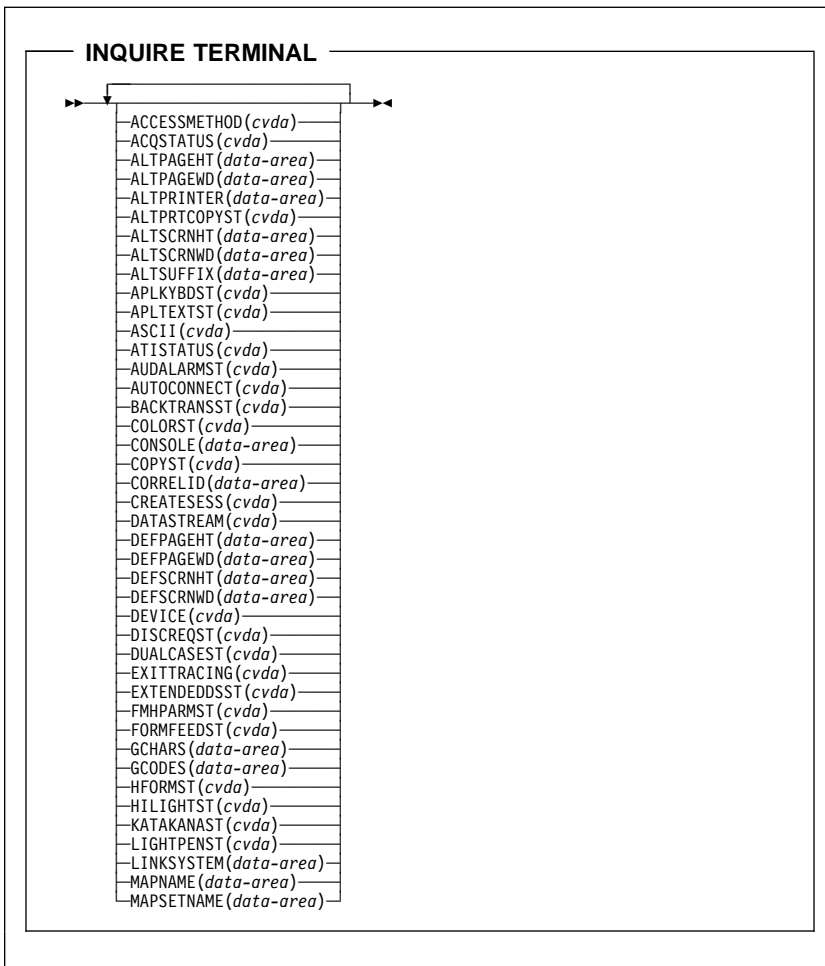


Conditions: ENDCOND, ILLOGIC, NORMAL, NOTAUTH, QIDERR

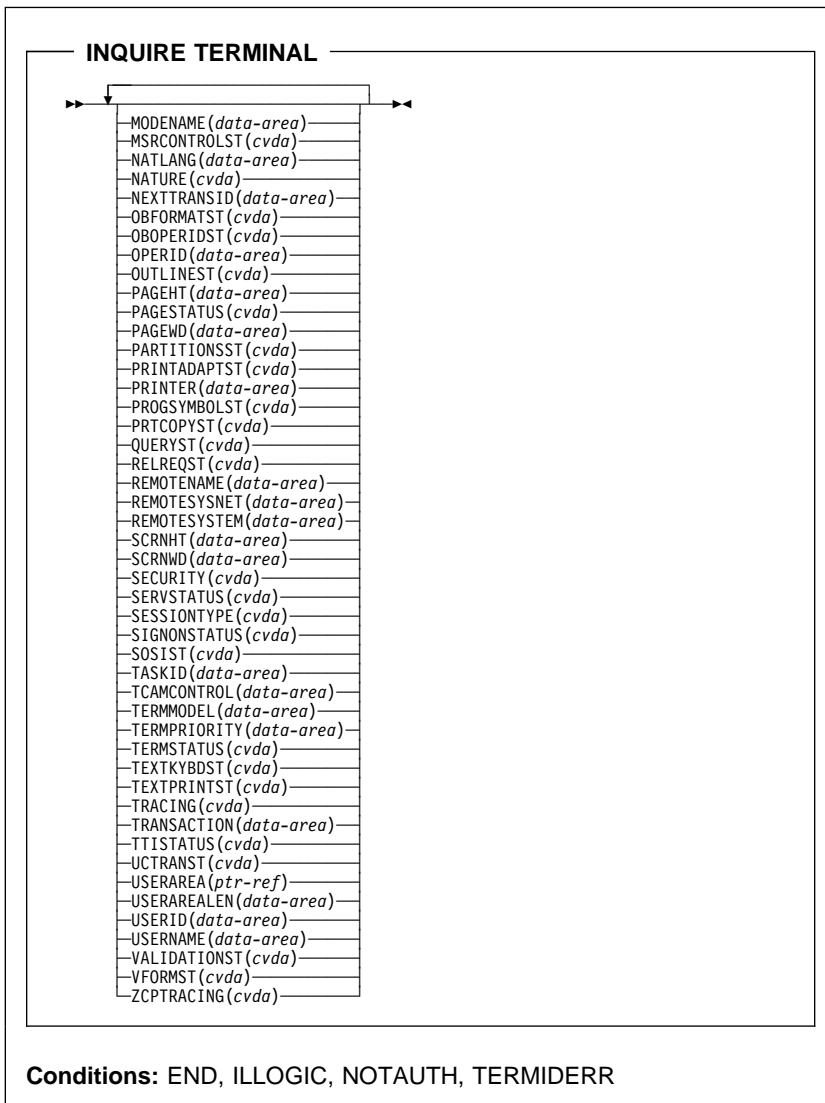
SPI syntax



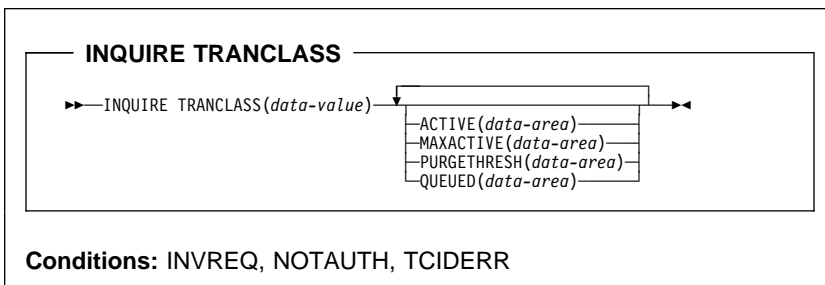
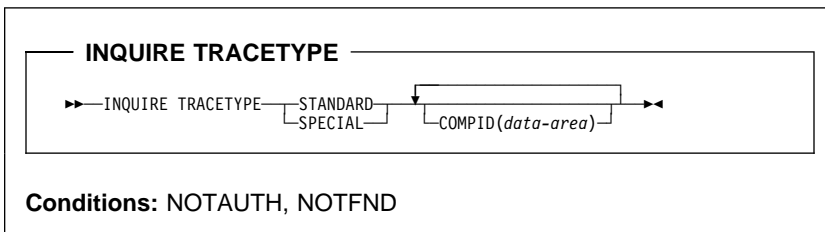
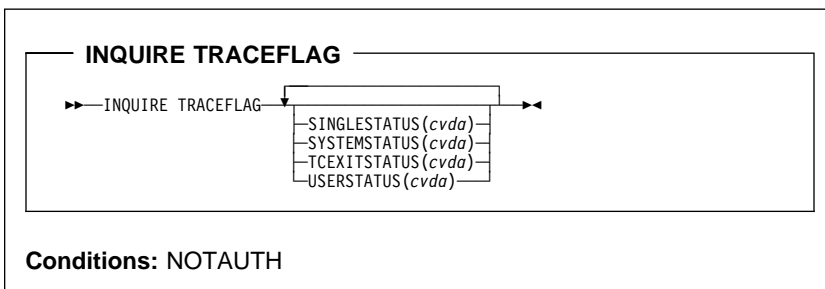
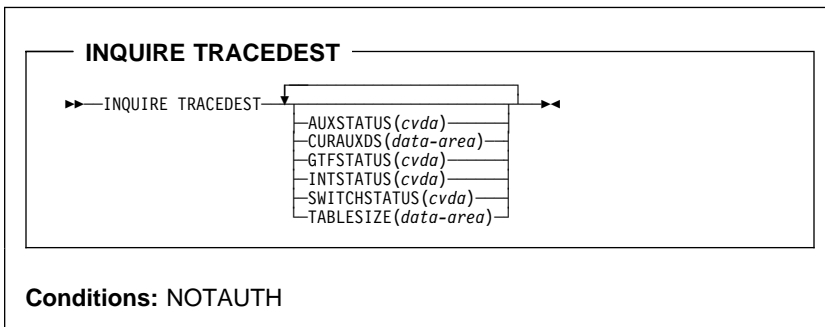
The following options apply to both the INQUIRE TERMINAL and the INQUIRE NETNAME command.



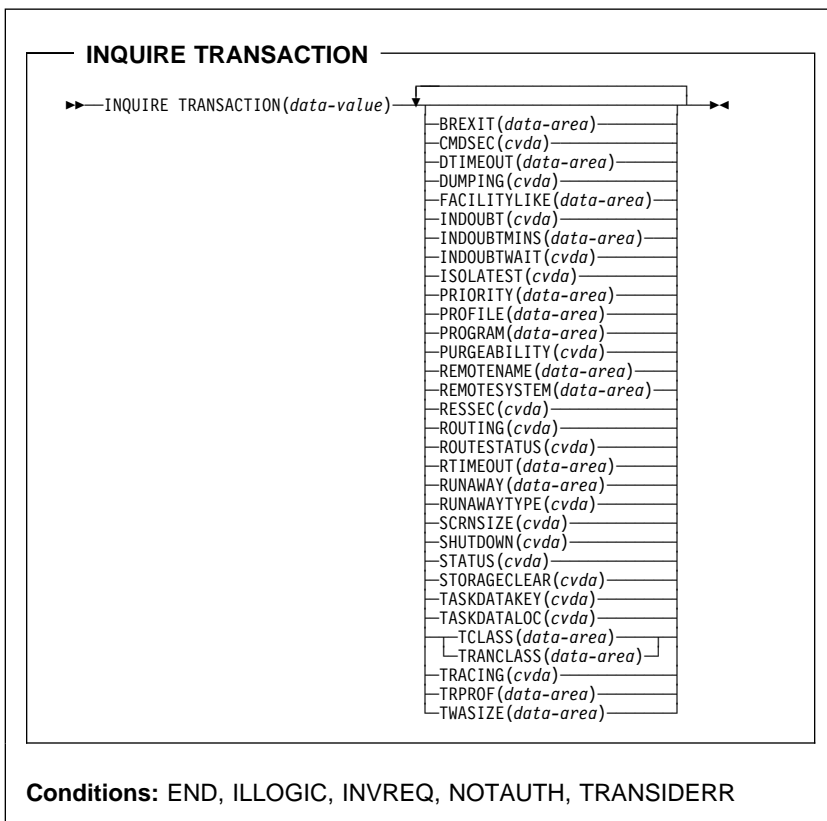
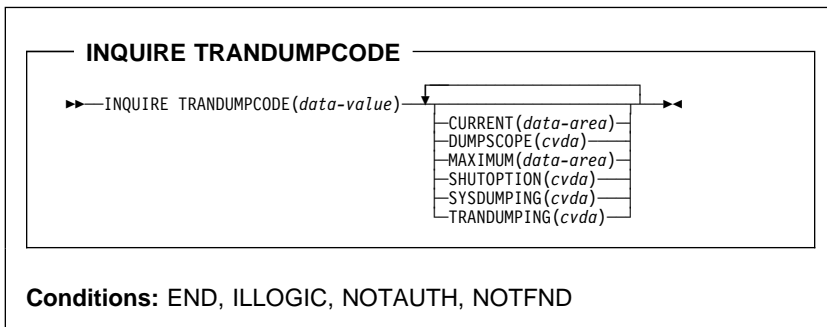
SPI syntax



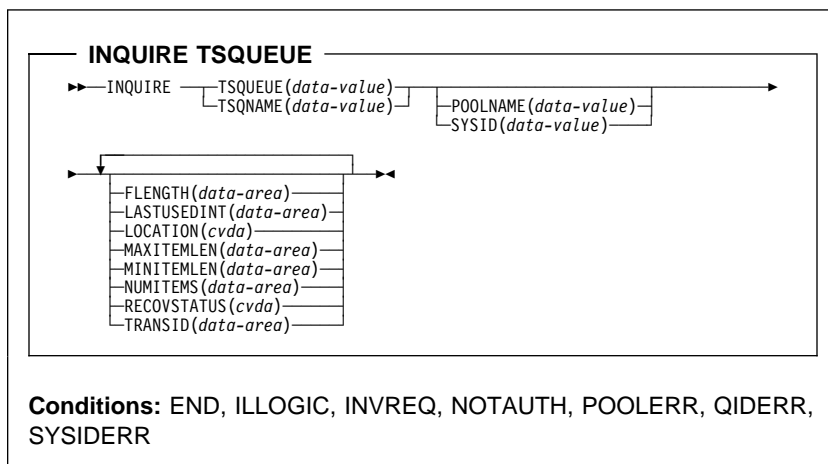
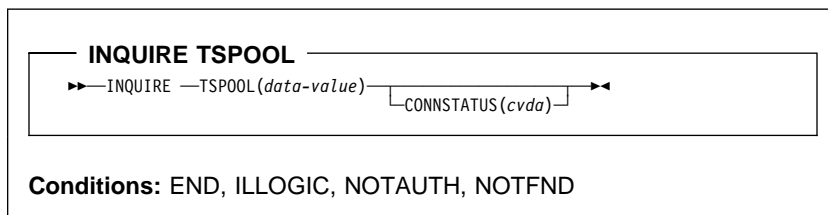
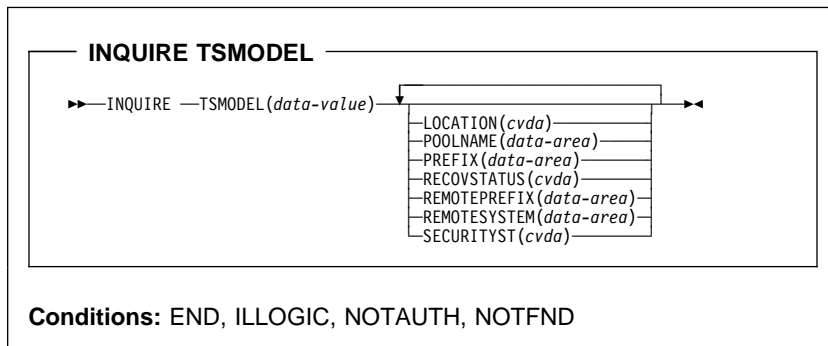
SPI syntax



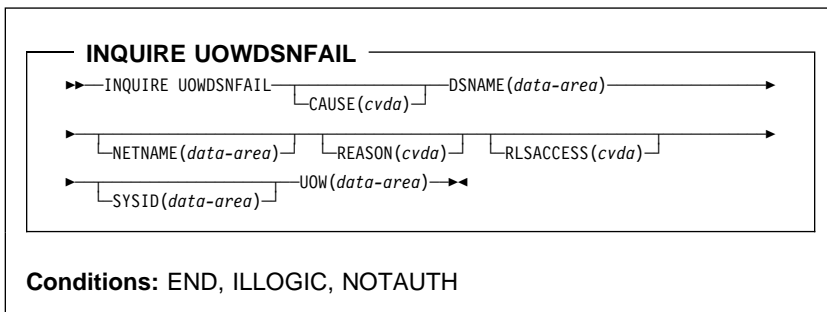
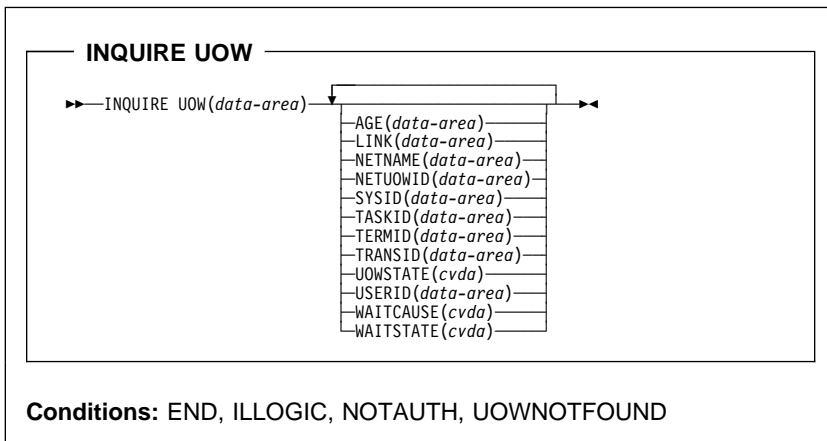
SPI syntax



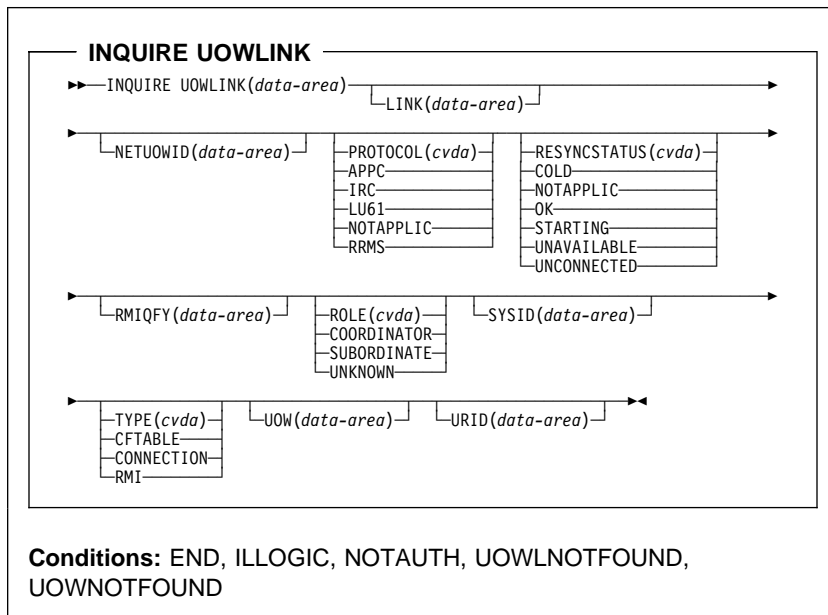
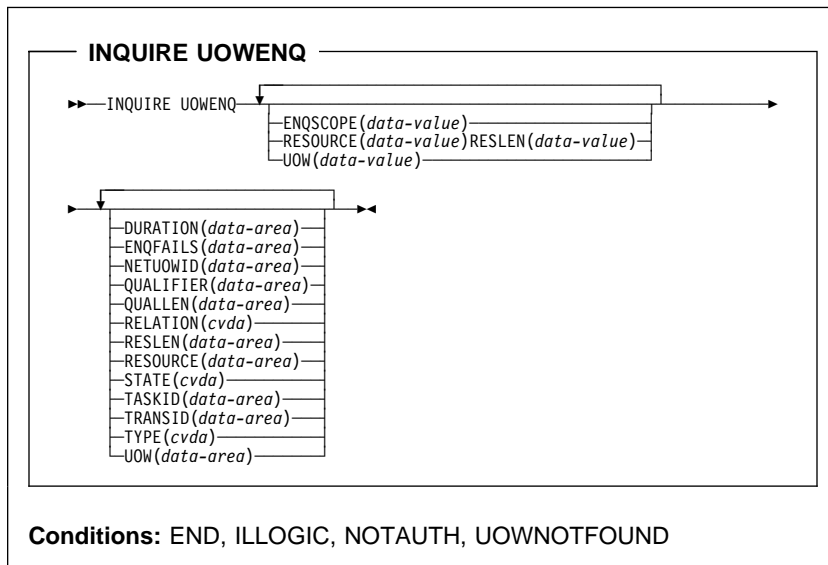
SPI syntax



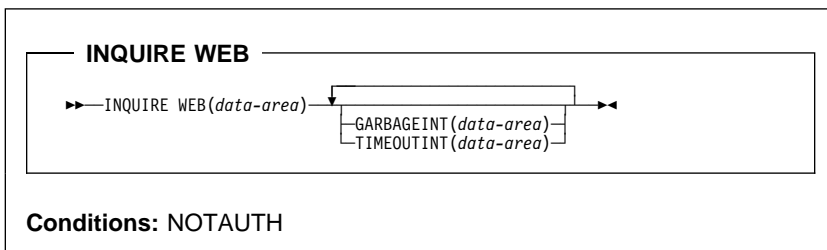
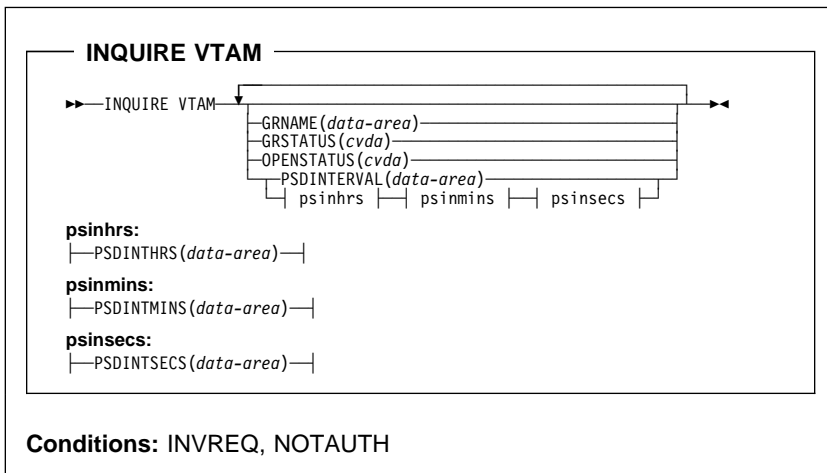
SPI syntax



SPI syntax



SPI syntax



SPI syntax

PERFORM DUMP

```
▶▶PERFORM DUMP DUMPCODE(data-value)▶▶
▶▶┌TITLE(data-area)└TITLELENGTH(data-value)┐▶▶
▶▶┌CALLER(data-value)└CALLERLENGTH(data-value)┐▶▶
▶▶┌DUMPID(data-value)┐▶▶
```

Conditions: INVREQ, IOERR, NOSPAC, NOSTG, NOTAUTH, SUPPRESSED, SYSBUSY

PERFORM ENDAFFINITY

```
▶▶PERFORM ENDAFFINITY└NETNAME(data-value)┐┌NETID(data-value)┐▶▶
```

Conditions: INVREQ

PERFORM RESETTIME

```
▶▶PERFORM RESETTIME▶▶
```

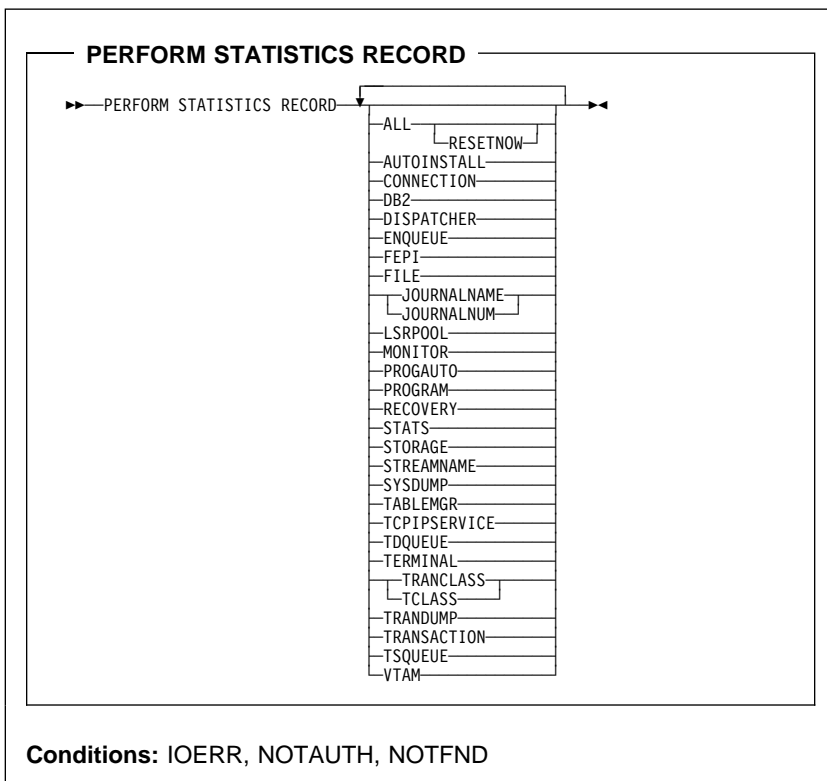
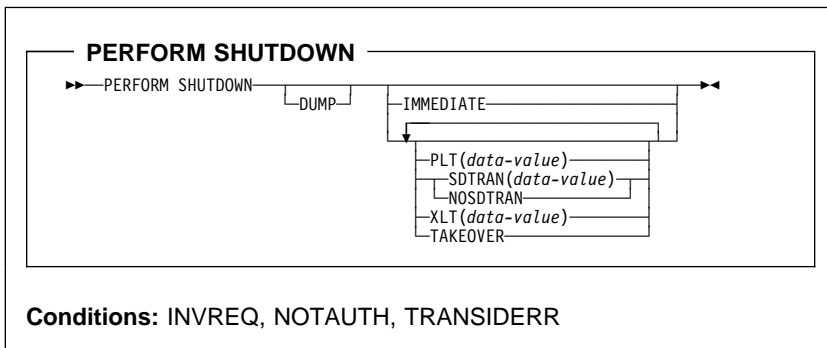
Conditions: INVREQ, NOTAUTH

PERFORM SECURITY REBUILD

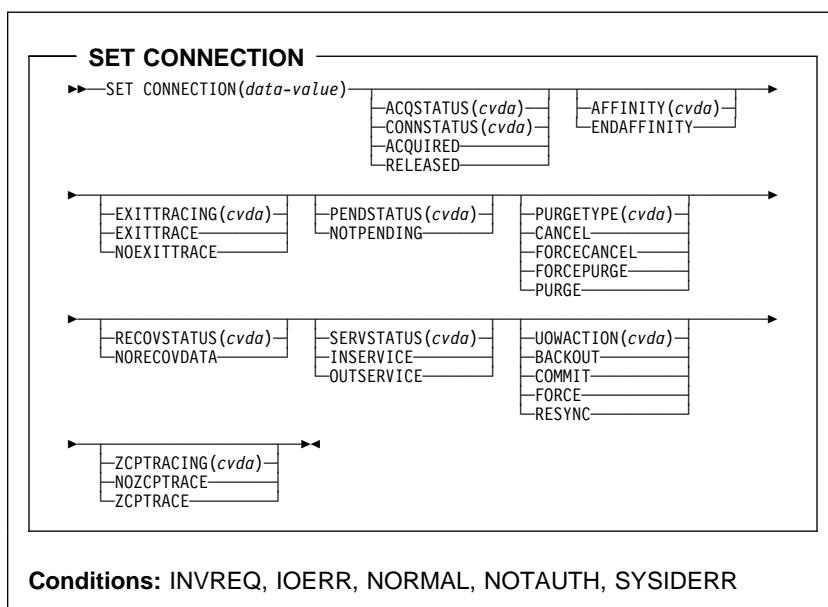
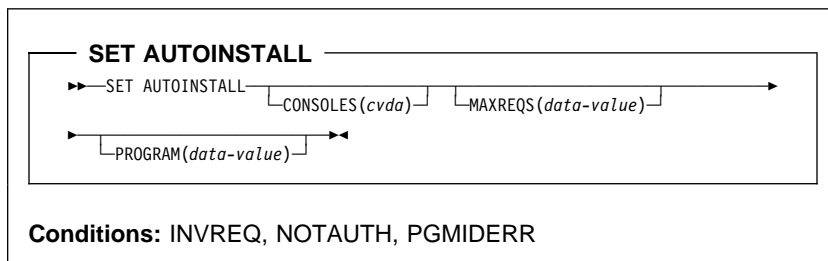
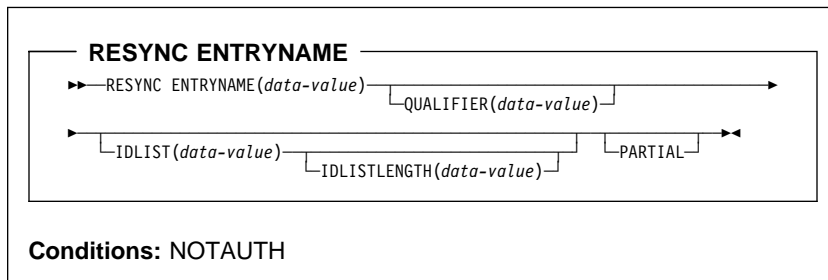
```
▶▶PERFORM SECURITY REBUILD┌ESMRESP(data-area)┐▶▶
```

Conditions: INVREQ, IOERR, NORMAL, NOTAUTH, SYSBUSY

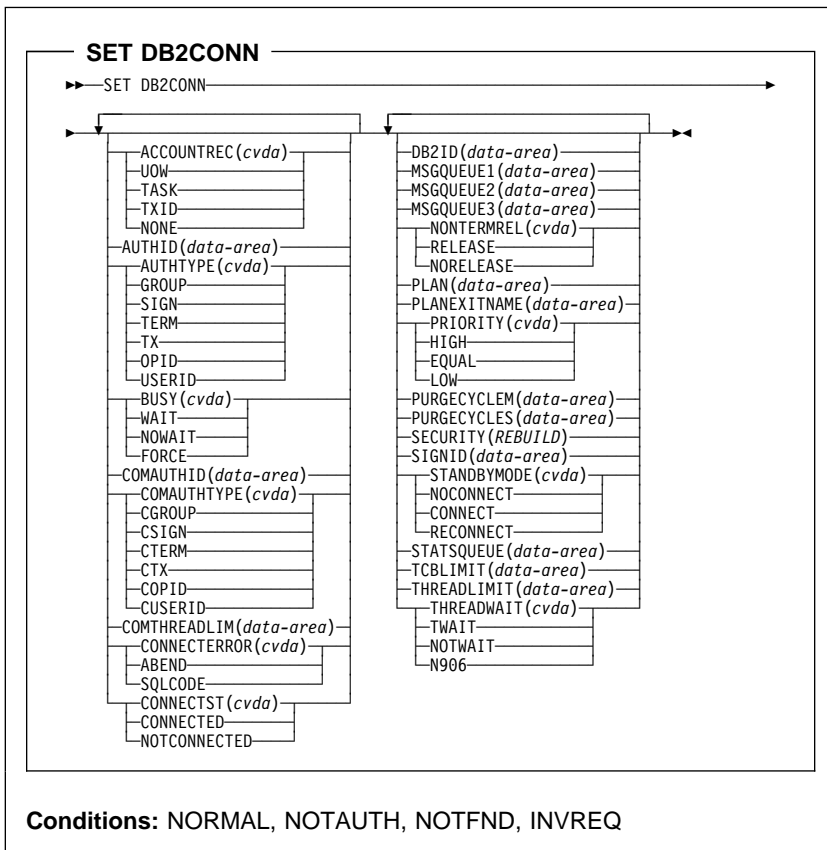
SPI syntax



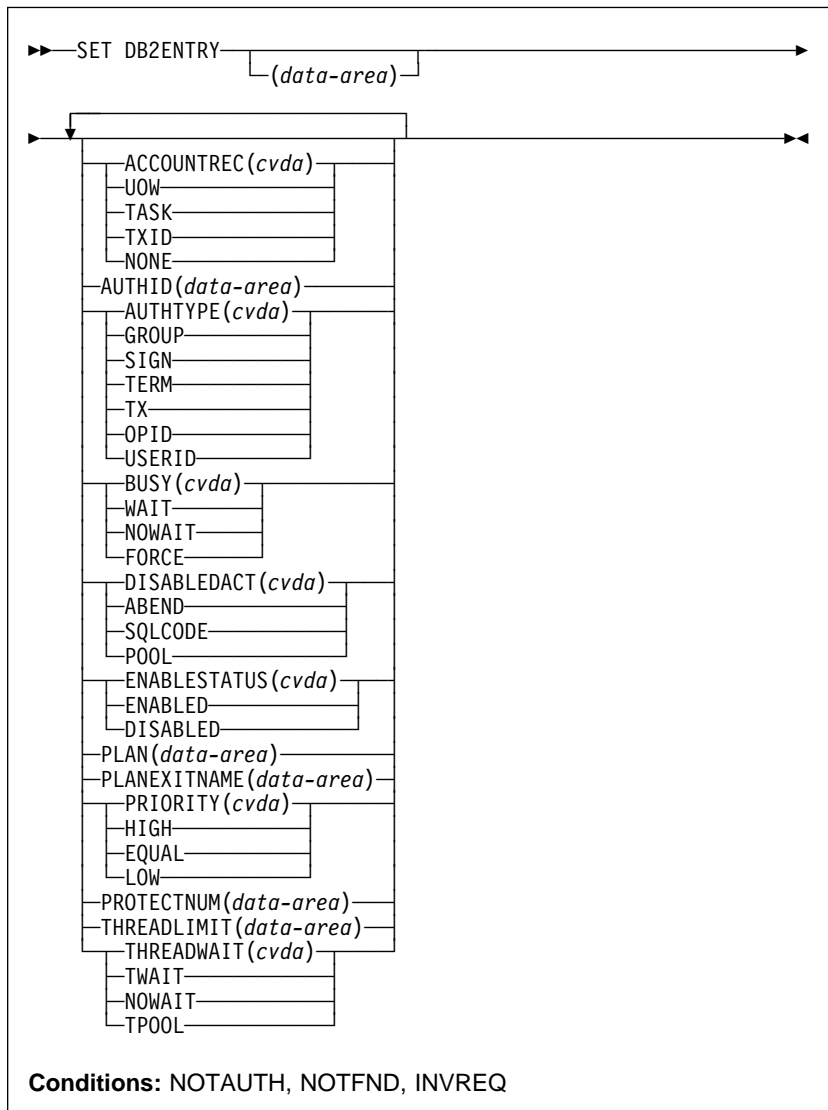
SPI syntax



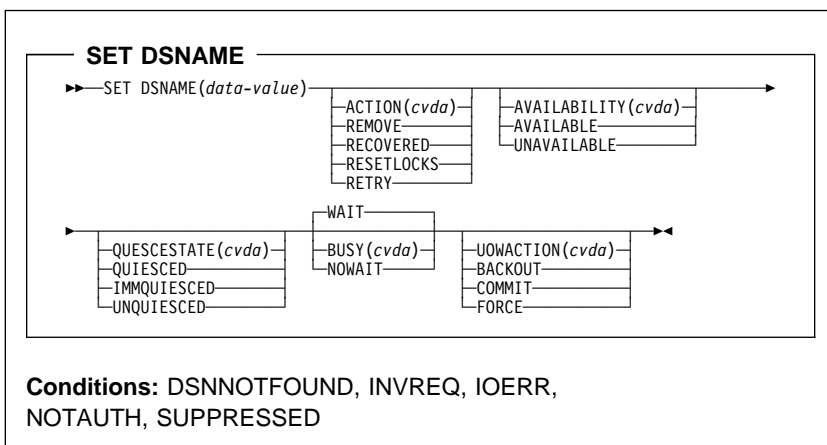
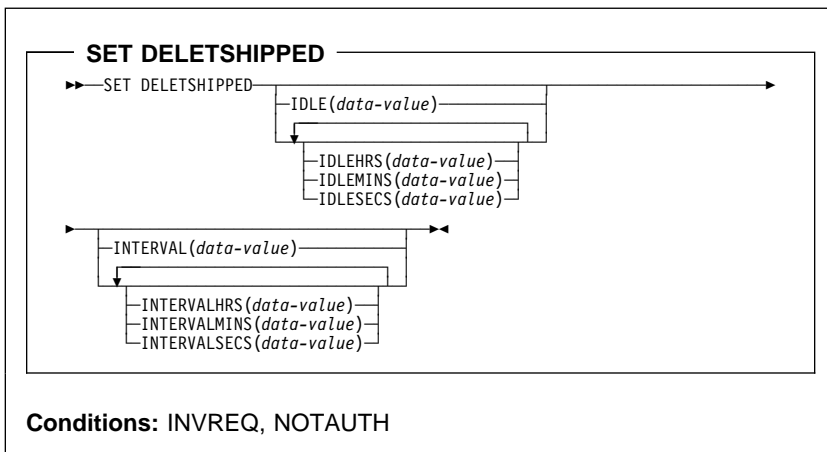
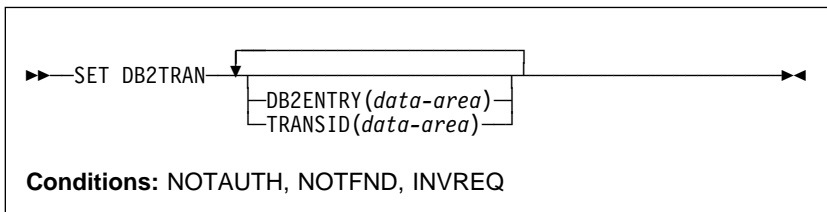
SPI syntax



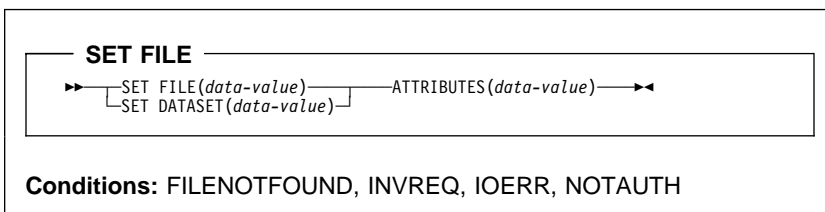
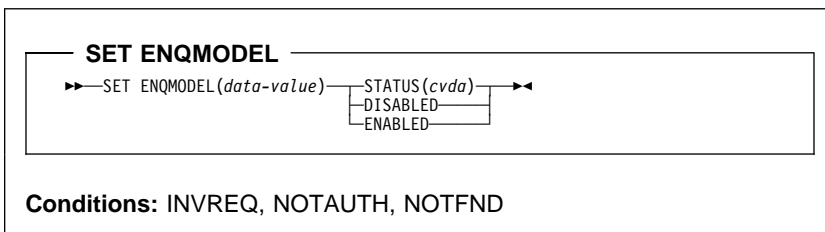
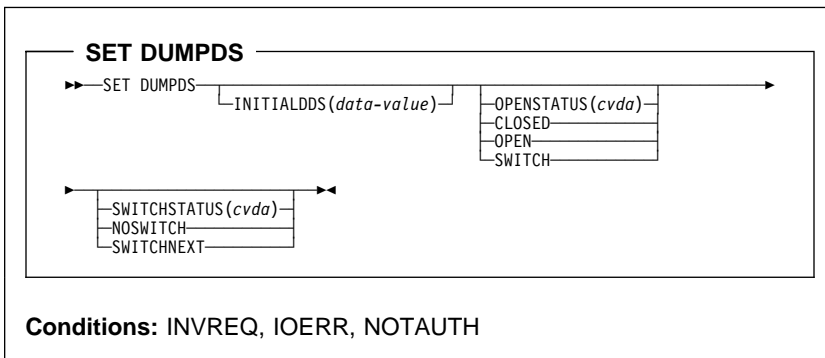
SPI syntax



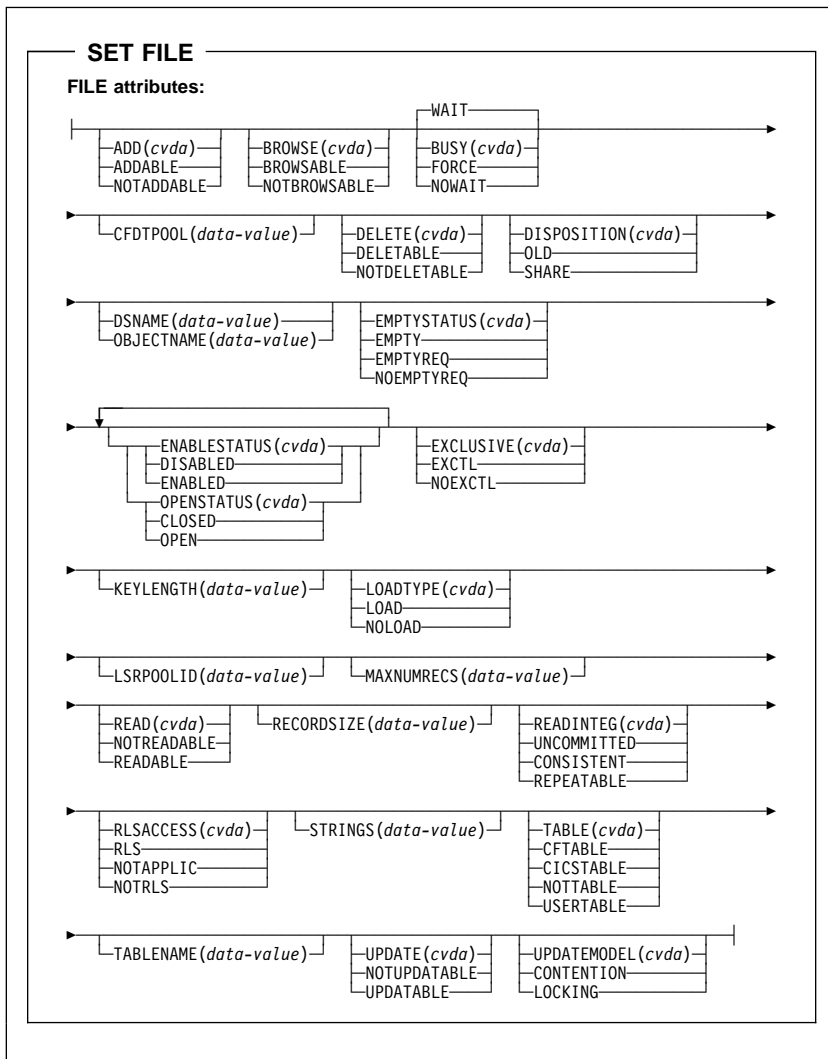
SPI syntax



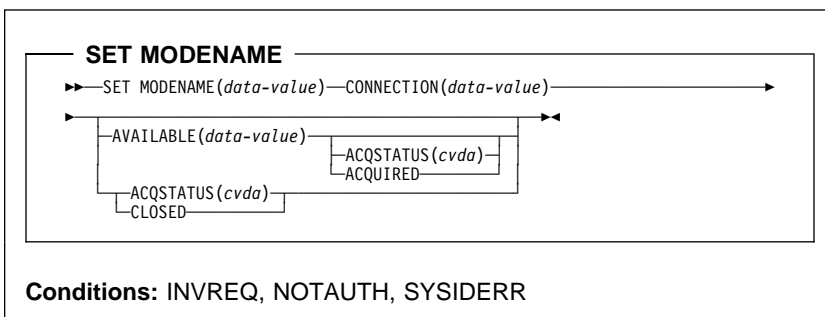
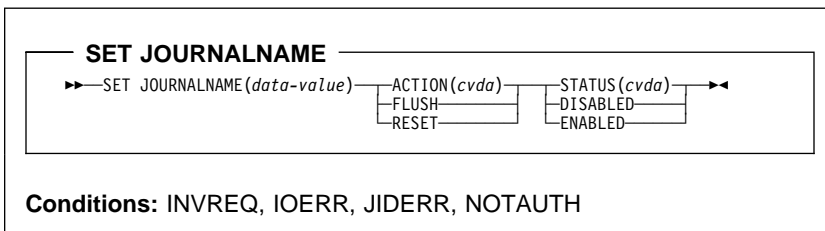
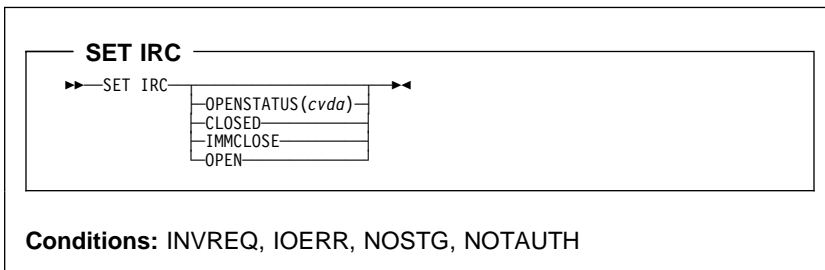
SPI syntax



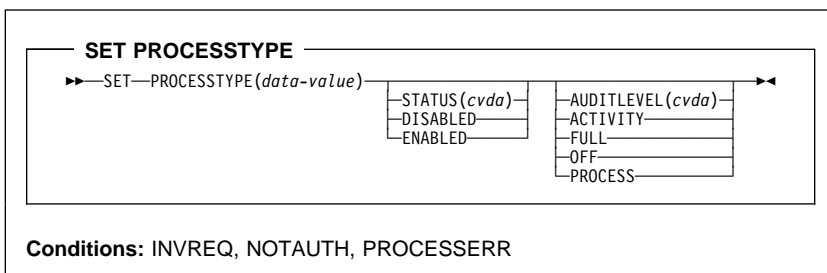
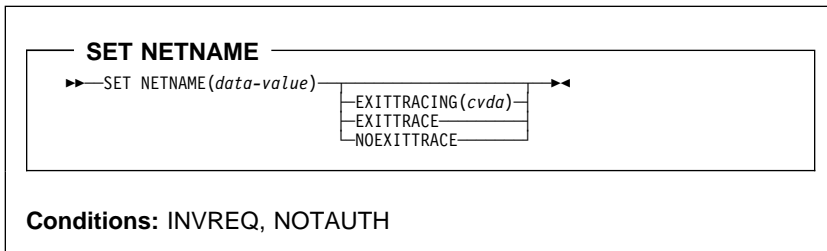
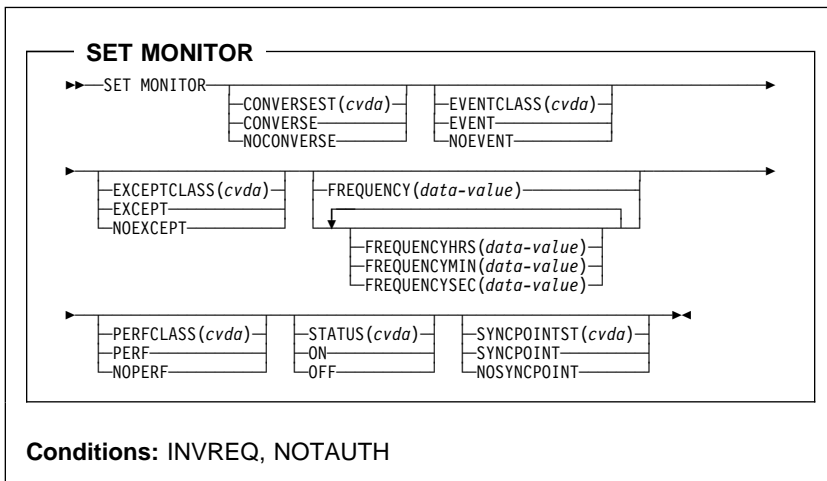
SPI syntax



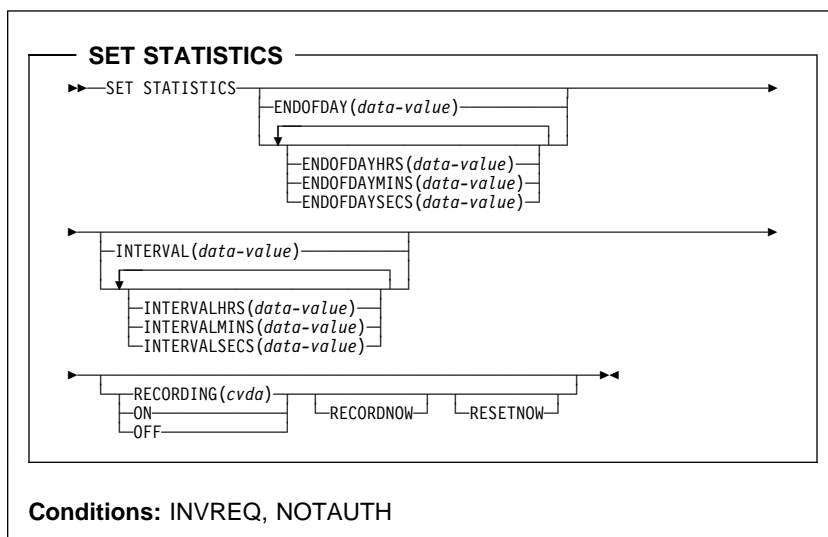
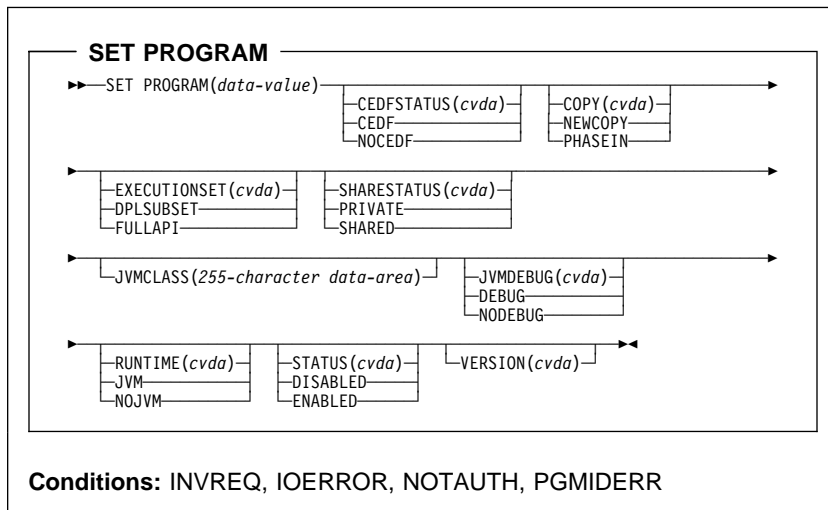
SPI syntax



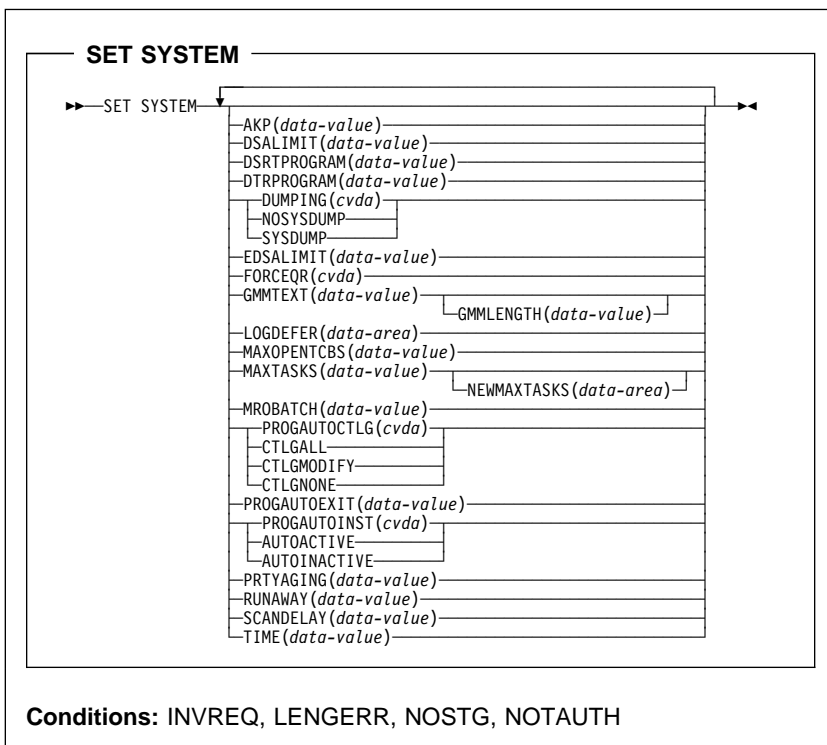
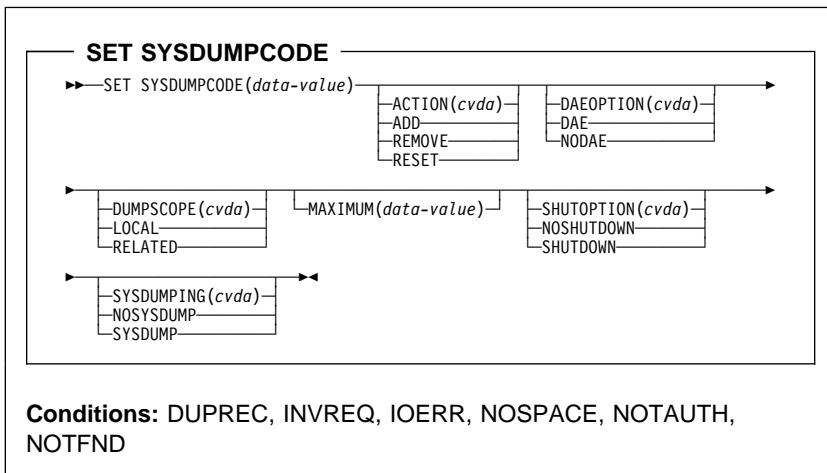
SPI syntax



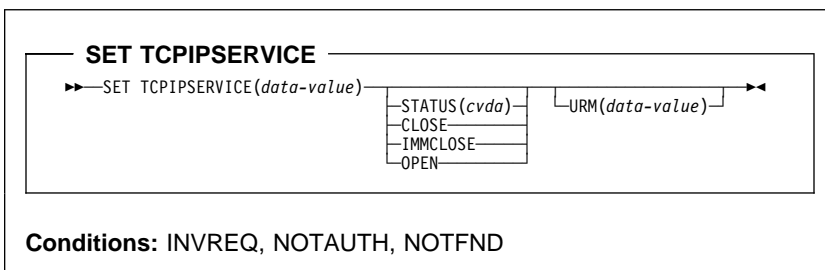
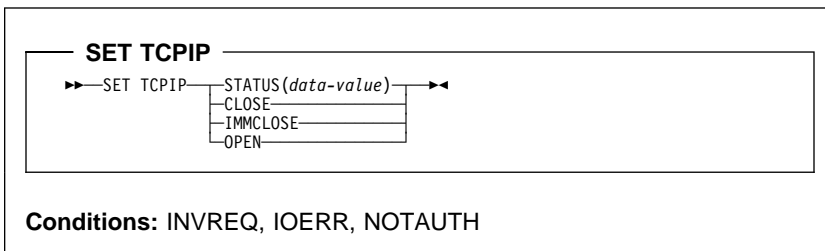
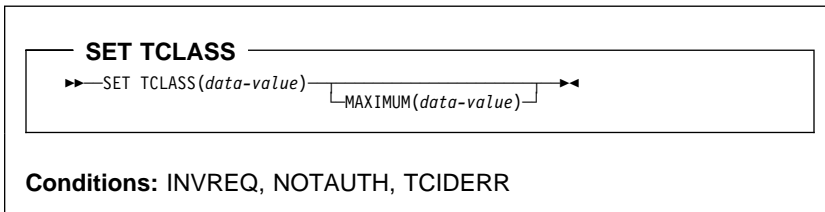
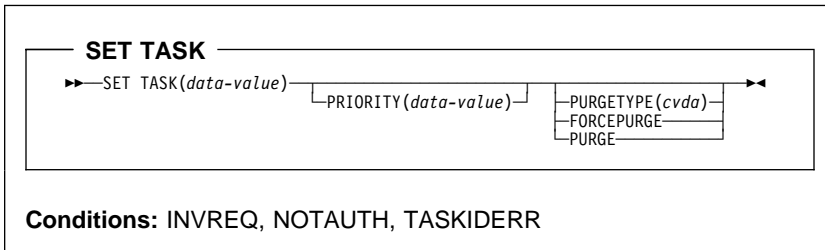
SPI syntax



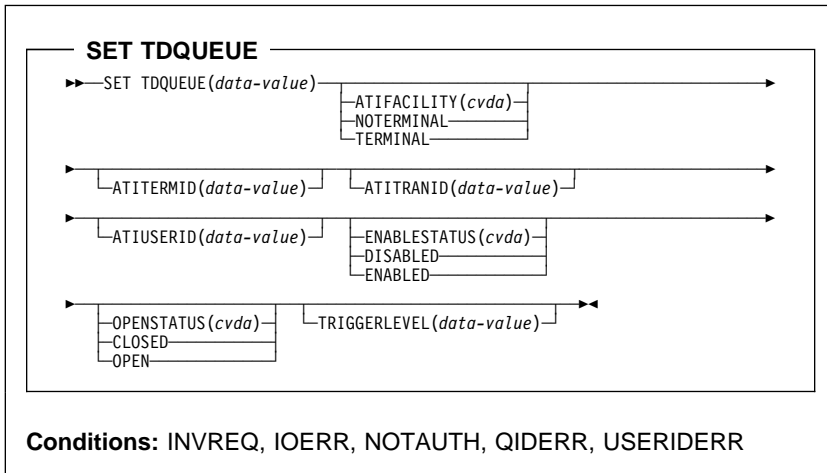
SPI syntax



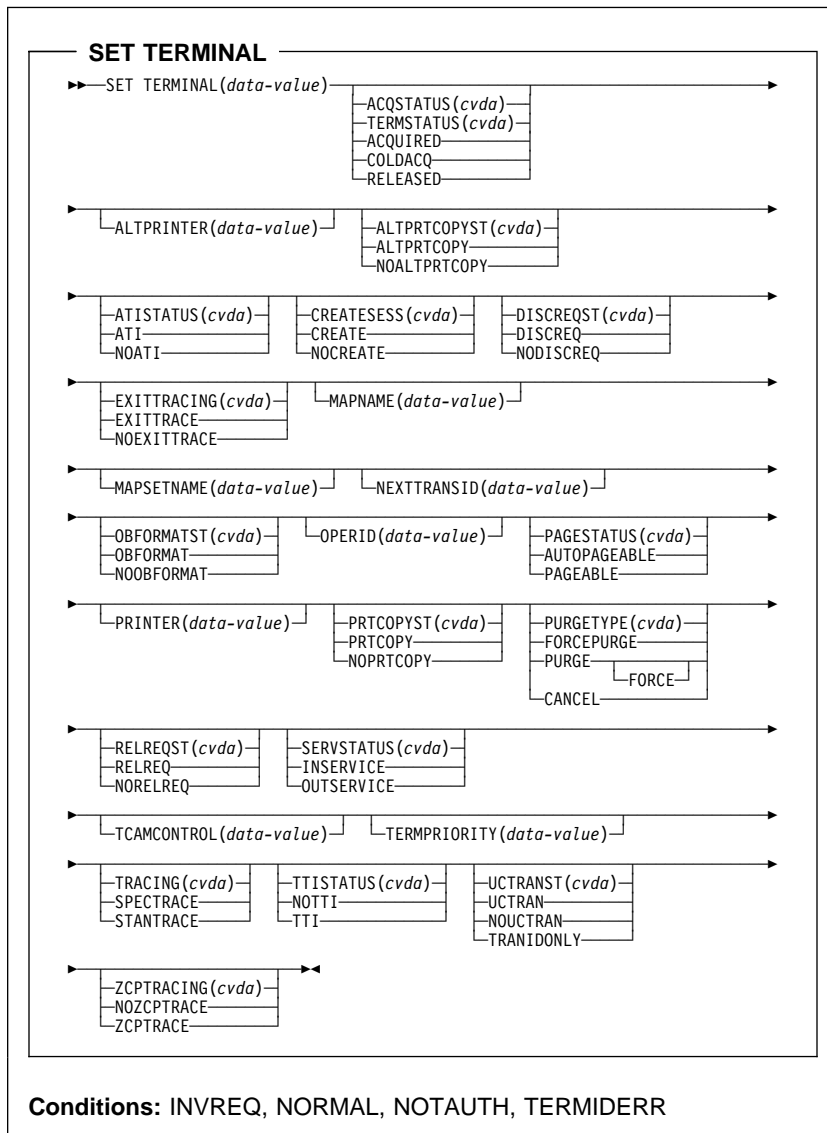
SPI syntax



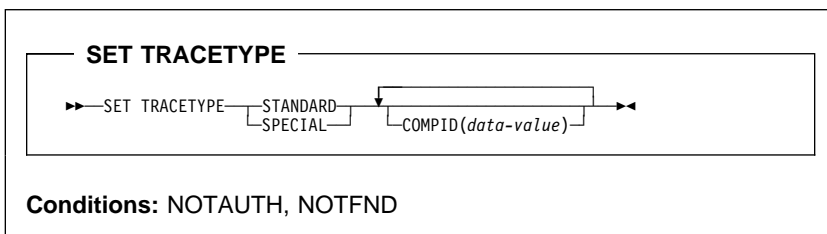
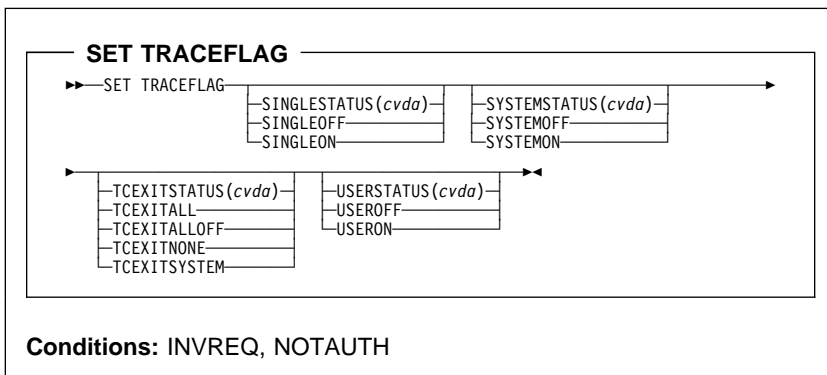
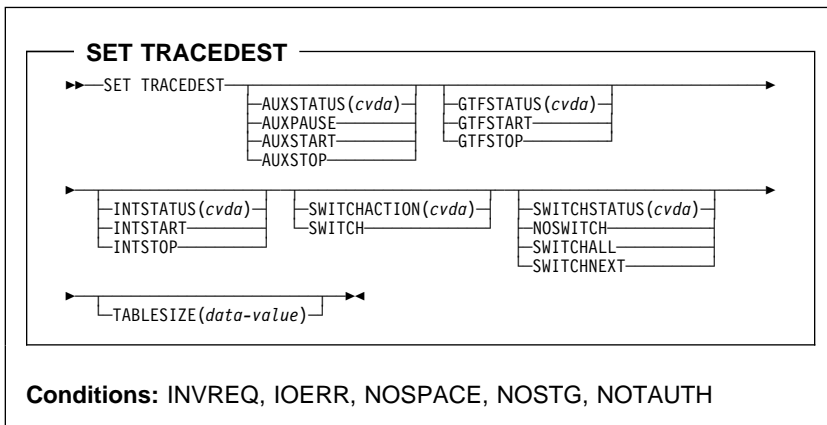
SPI syntax



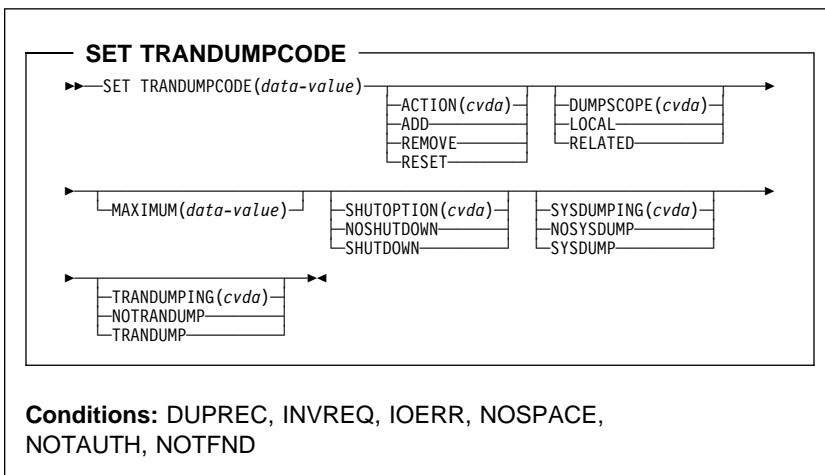
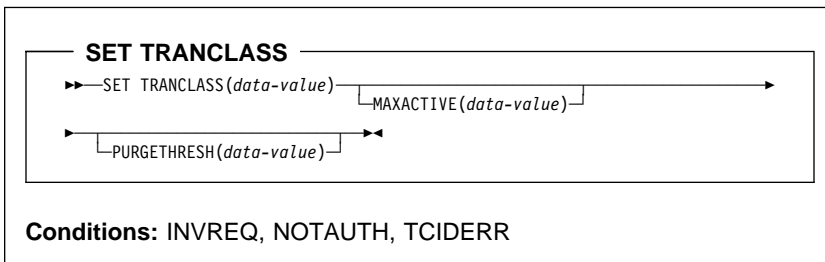
SPI syntax



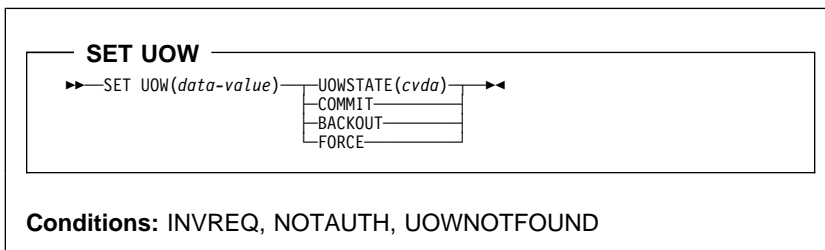
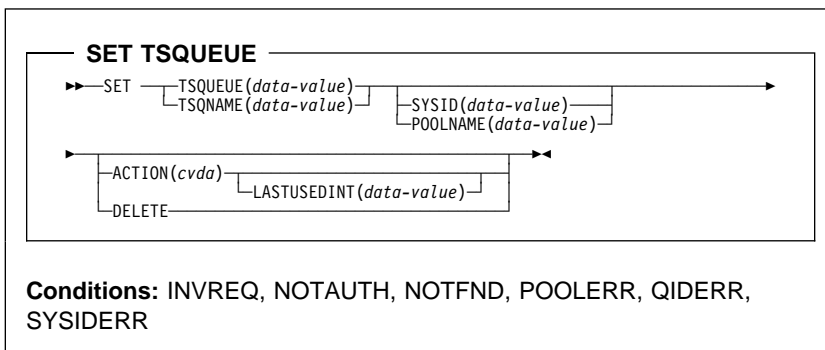
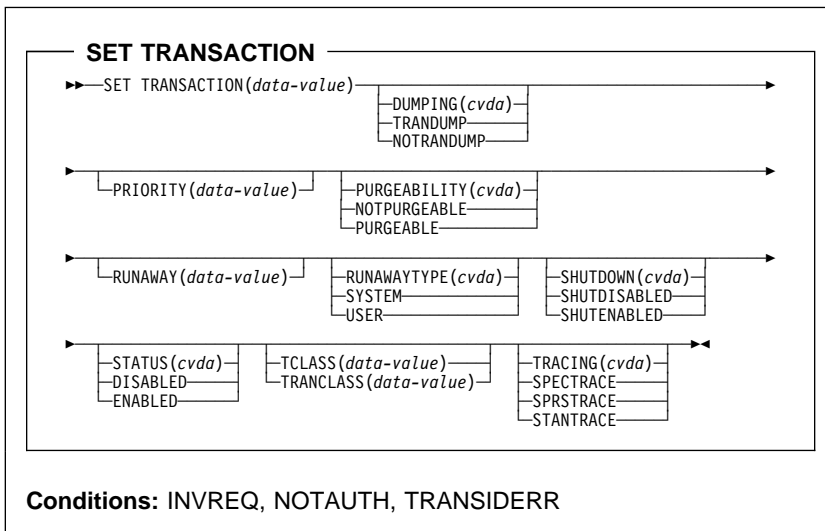
SPI syntax



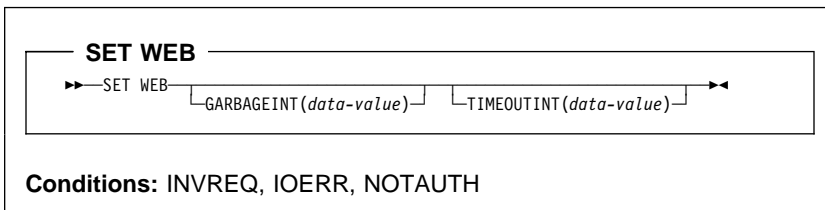
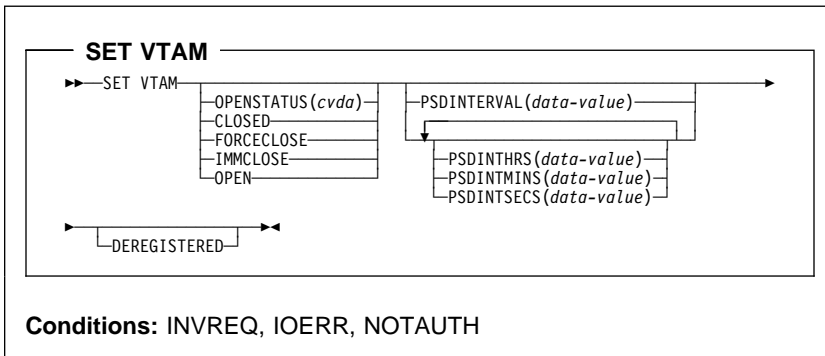
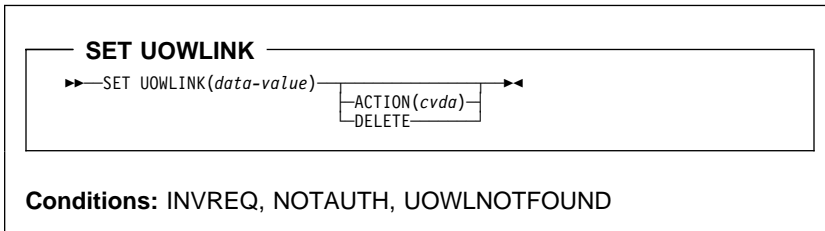
SPI syntax



SPI syntax



SPI syntax



CST syntax

Chapter 3. CICS-Supplied Transaction

Some CICS-supplied transactions are menu driven, while others can be entered on the command line. Menus are provided wherever the transaction name appears on its own in the syntax descriptions on the pages that follow.

CEBT INQUIRE AUXTRACE

▶▶CEBT Inquire Auxtrace▶▶

CEBT INQUIRE DUMP

▶▶CEBT Inquire Dump▶▶

CEBT INQUIRE INTRTRACE

▶▶CEBT Inquire Intrtrace▶▶

CEBT INQUIRE GTFTRACE

▶▶CEBT Inquire Gtftrace▶▶

CEBT INQUIRE SURVEILLANCE

▶▶CEBT Inquire Surveillance▶▶

CEBT PERFORM SHUTDOWN

▶▶CEBT Perform SHUTDOWN—Dump—Immediate▶▶

CEBT PERFORM SNAP

▶▶CEBT Perform SNAP▶▶

CEBT PERFORM TAKEOVER

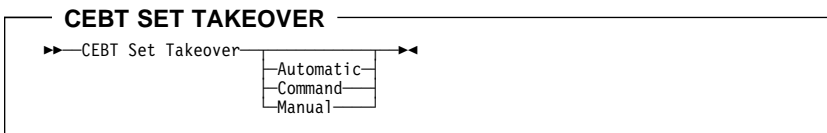
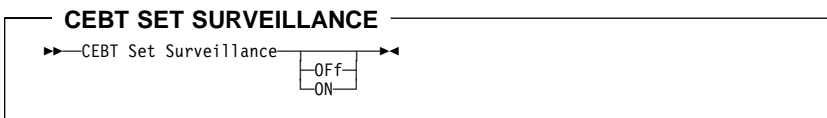
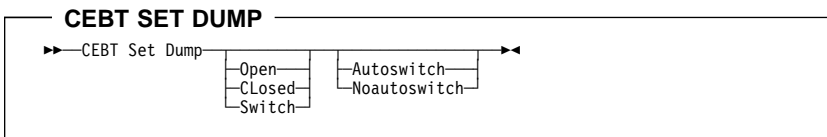
▶▶CEBT Perform Takeover—Dump▶▶

CEBT SET AUXTRACE

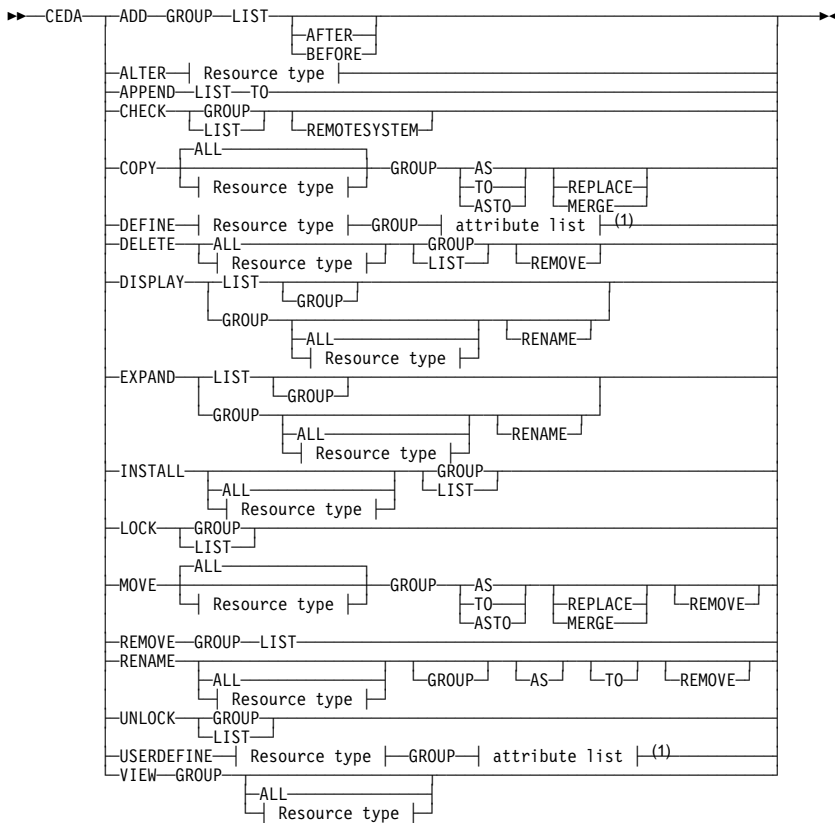
▶▶CEBT Set Auxtrace

Start	NOswitch	Switch▶▶
Pause	NEXT	
STOP	All	

CST syntax



CST syntax

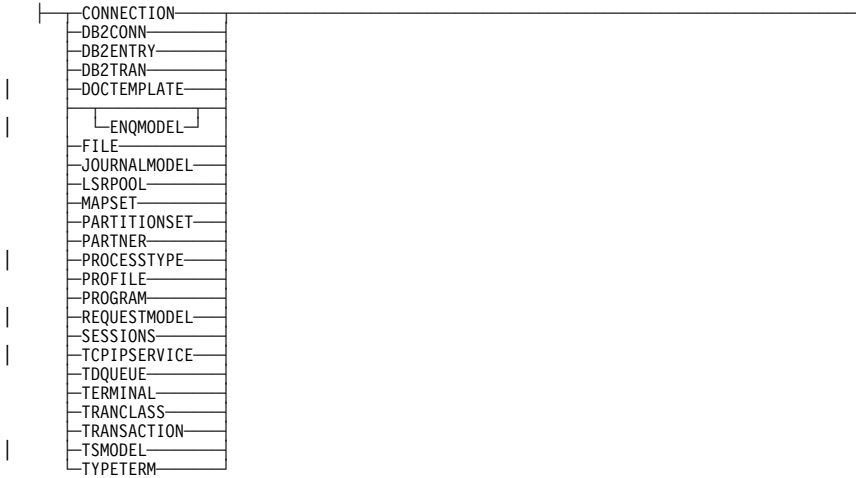


Note:

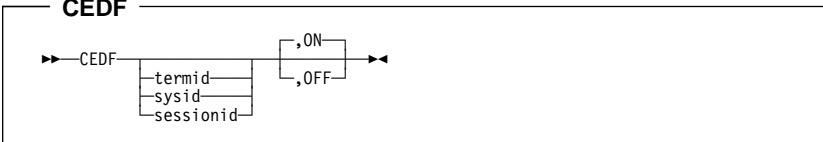
¹ Consult the *CICS Resource Definition Guide*, for information about the attributes applicable to each resource type.

CST syntax

Resource type:



CEDF

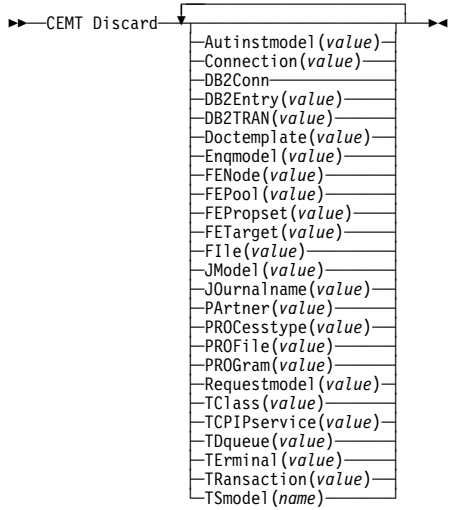


CEDX

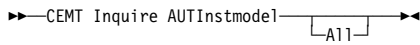


CST syntax

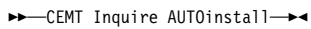
CEMT DISCARD



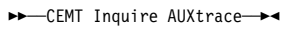
CEMT INQUIRE AUTOINSMODEL



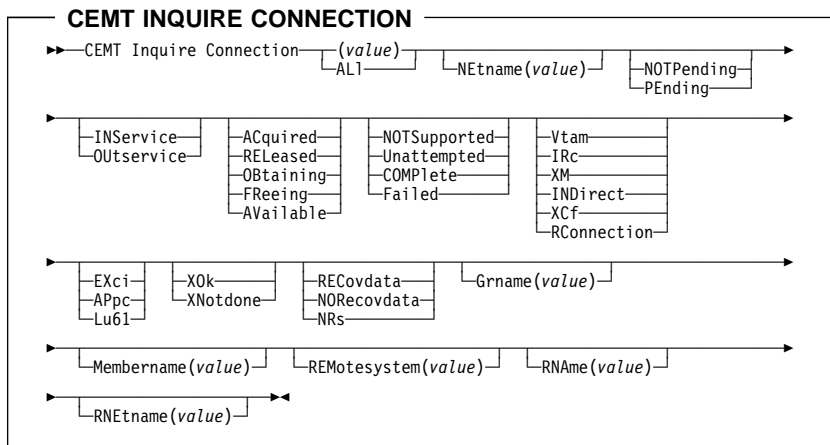
CEMT INQUIRE AUTOINSTALL



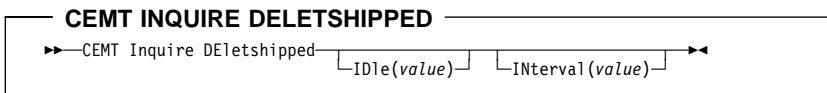
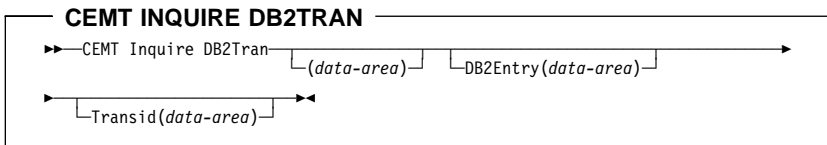
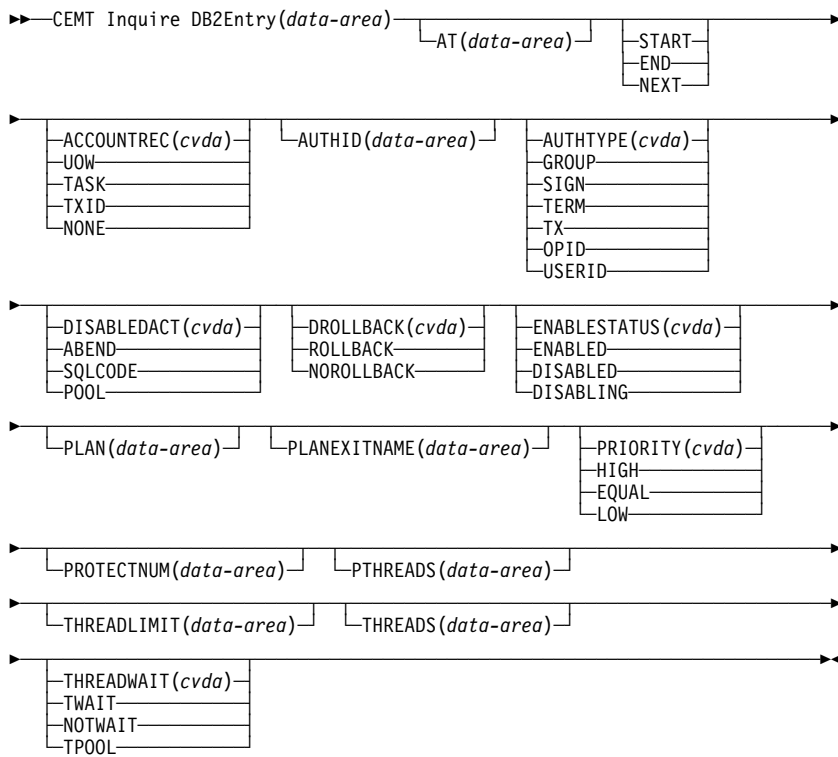
CEMT INQUIRE AUXTRACE



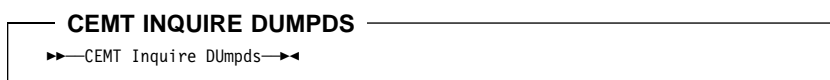
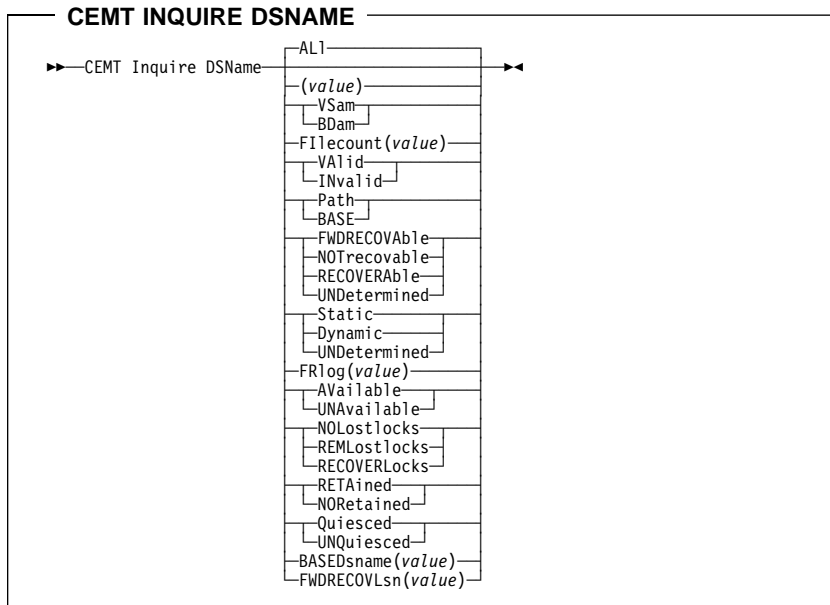
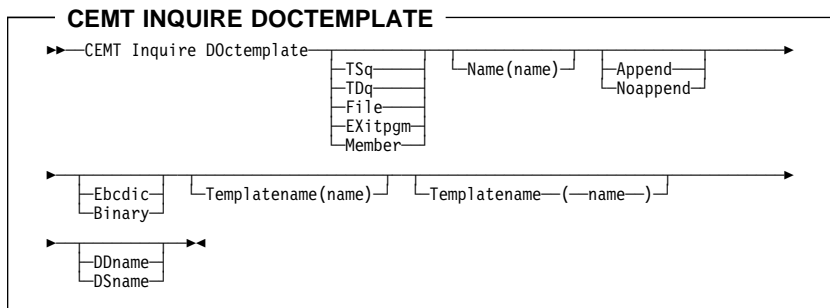
CST syntax



CST syntax

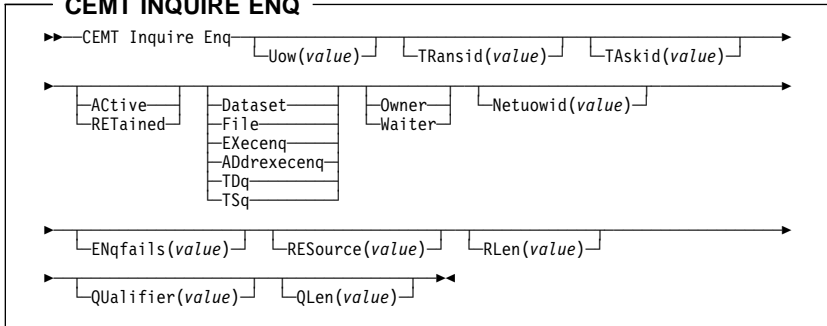


CST syntax

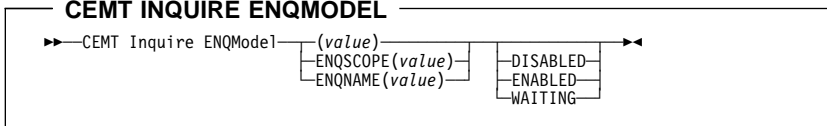


CST syntax

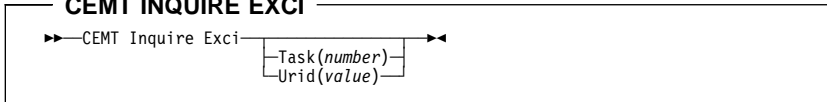
CEMT INQUIRE ENQ



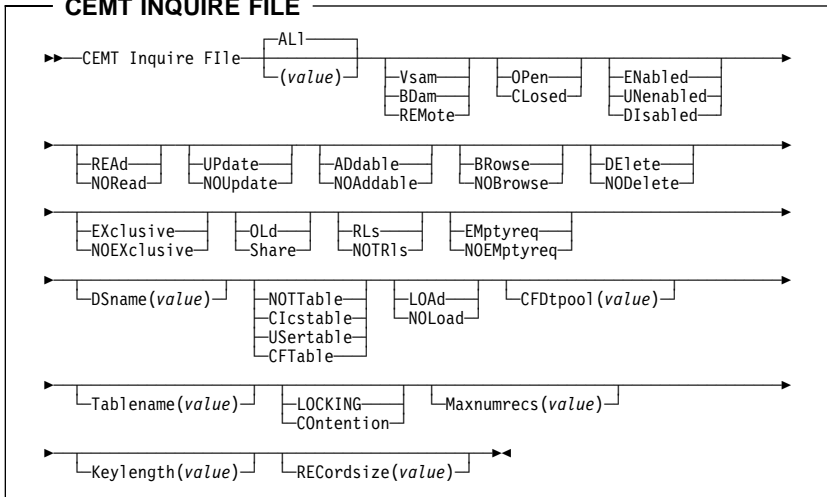
CEMT INQUIRE ENQMODEL



CEMT INQUIRE EXCI



CEMT INQUIRE FILE



CEMT INQUIRE GTFTRACE



CST syntax

CEMT INQUIRE INTRACE

▶▶ CEMT Inquire INtrace ▶▶

CEMT INQUIRE IRC

▶▶ CEMT Inquire IRC ▶▶

CEMT INQUIRE JMODEL

▶▶ CEMT Inquire JModel All
(value) (Journalnamevalue) Mvs
SMf
Dummy ▶▶

▶▶ Streamname(value) ▶▶

CEMT INQUIRE JOURNALNAME

▶▶ CEMT Inquire JOurnalname All
(value) Mvs
SMf
Dummy Enabled
Disabled
FAiled ▶▶

▶▶ Streamname(value) ▶▶

CEMT INQUIRE LINE

▶▶ CEMT Inquire Line (value) Number(value) NEgpo11(value) ▶▶

▶▶ Inservice
Outservice ▶▶

CEMT INQUIRE MODENAME

▶▶ CEMT Inquire MODename All (value) Connection(value) ▶▶

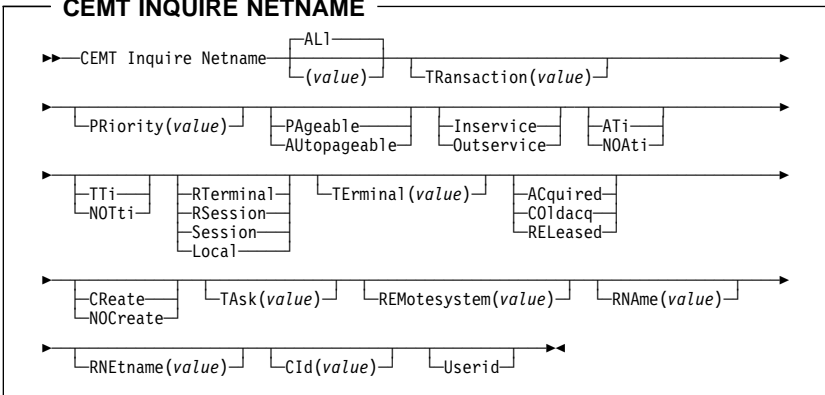
▶▶ Maximum(value) AVailable(value) ACTive(value) ▶▶

CEMT INQUIRE MONITOR

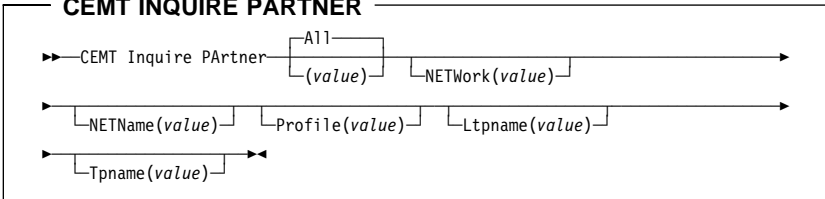
▶▶ CEMT Inquire MONitor Gmt
Local Subsystemid(value) ▶▶

CST syntax

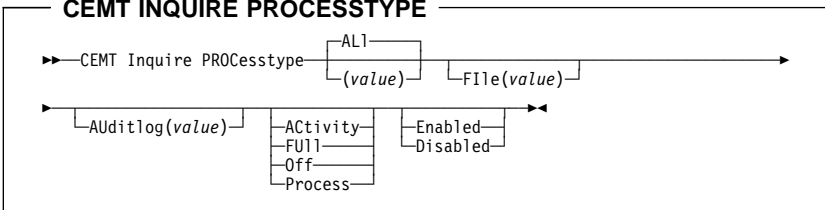
CEMT INQUIRE NETNAME



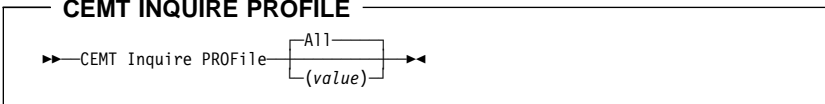
CEMT INQUIRE PARTNER



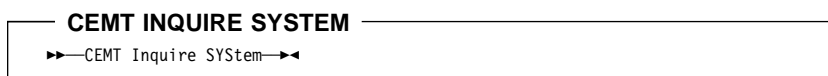
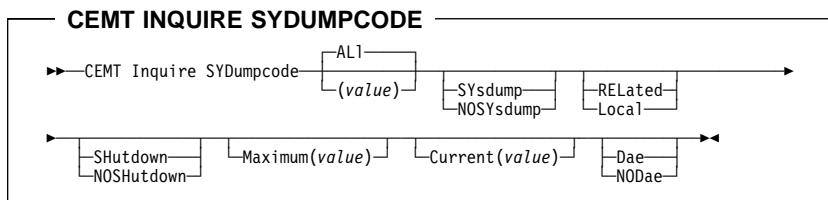
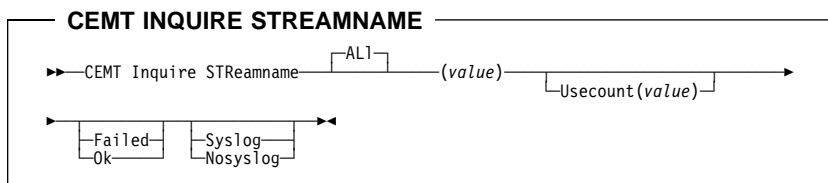
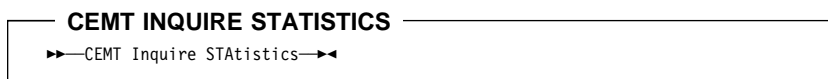
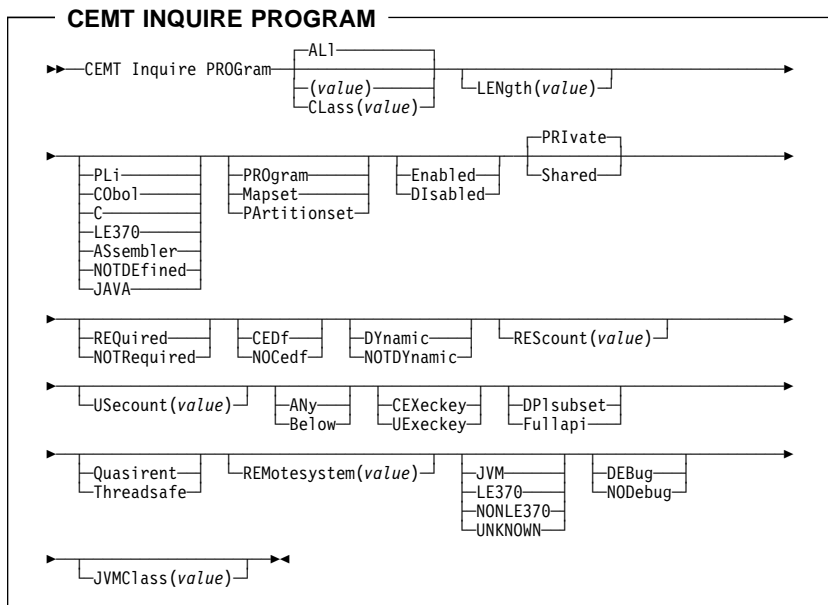
CEMT INQUIRE PROCESSTYPE



CEMT INQUIRE PROFILE

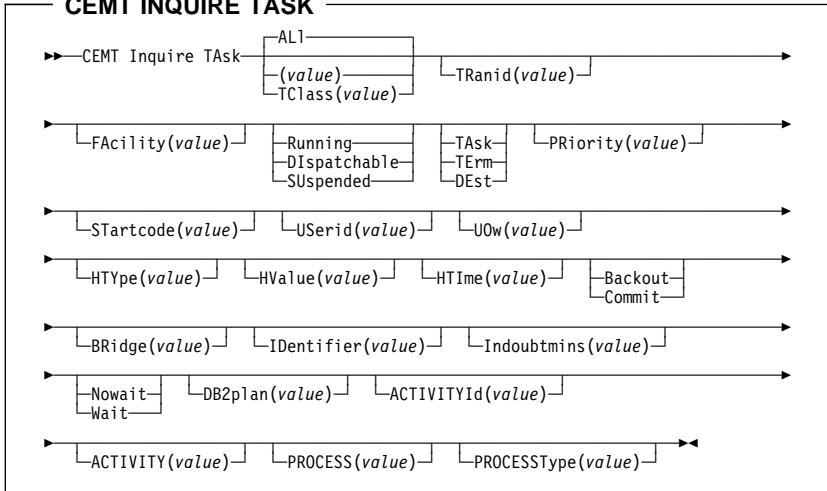


CST syntax

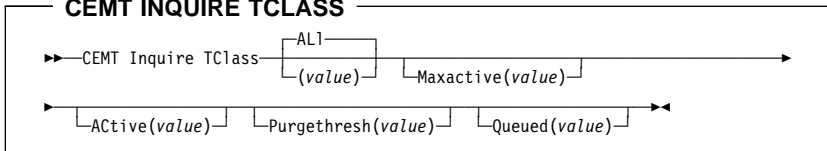


CST syntax

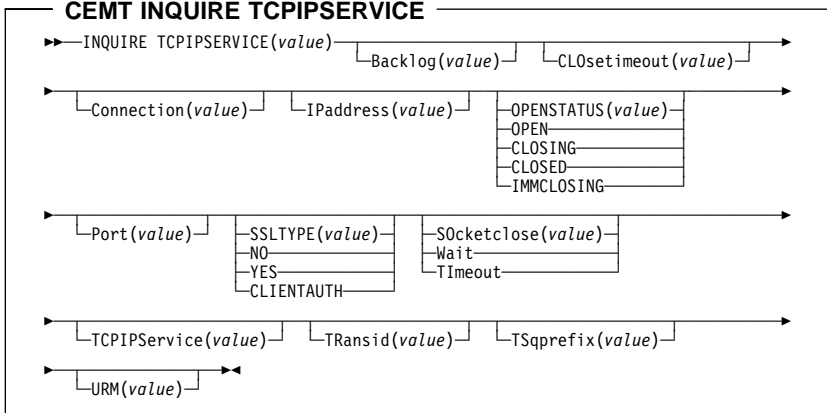
CEMT INQUIRE TASK



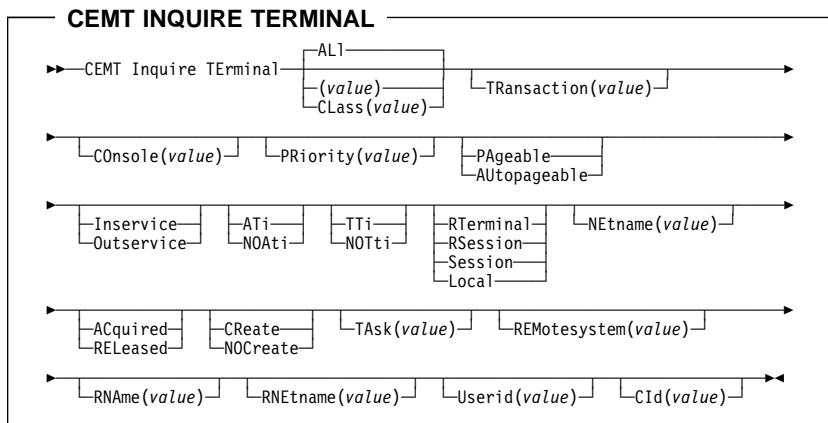
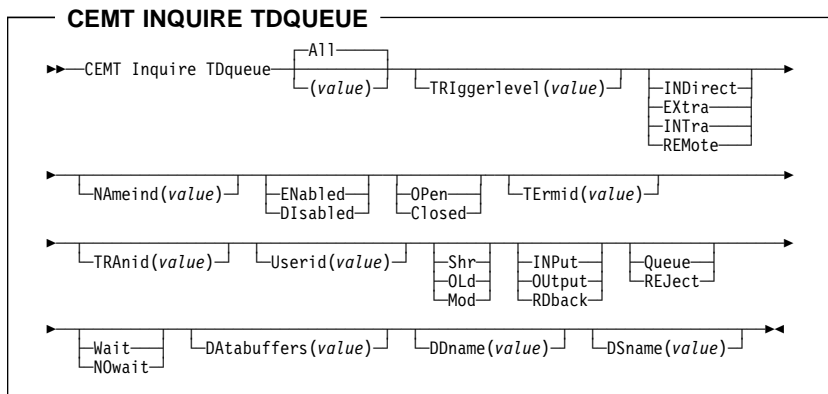
CEMT INQUIRE TCLASS



CEMT INQUIRE TCPIP SERVICE

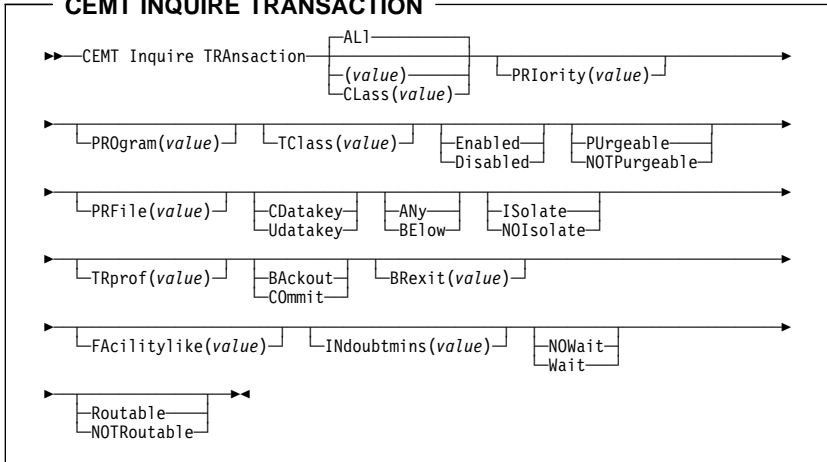


CST syntax

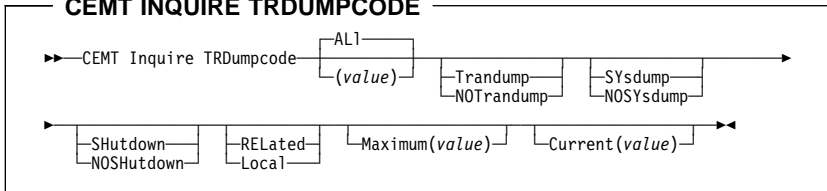


CST syntax

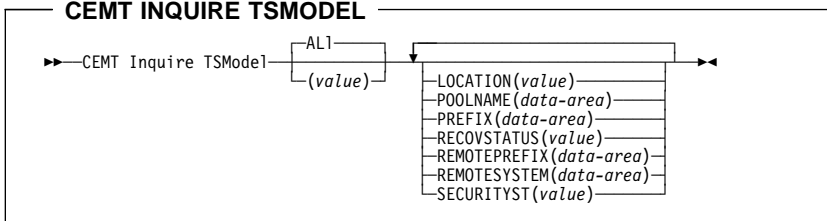
CEMT INQUIRE TRANSACTION



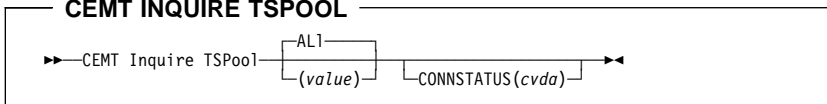
CEMT INQUIRE TRDUMPCODE



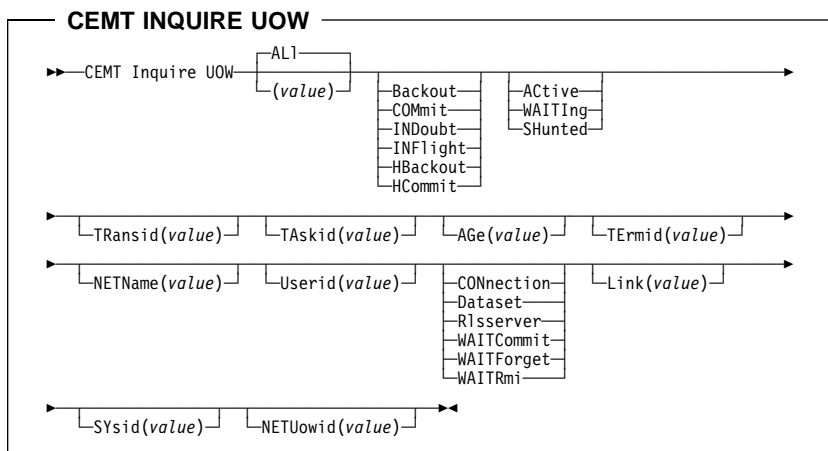
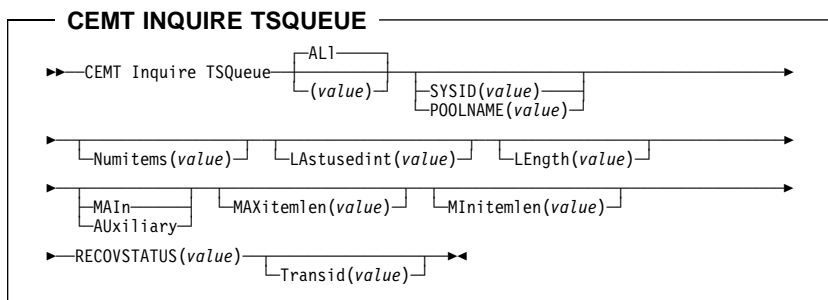
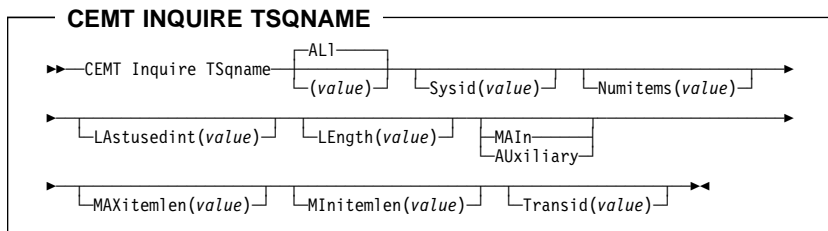
CEMT INQUIRE TSMODEL



CEMT INQUIRE TSPool

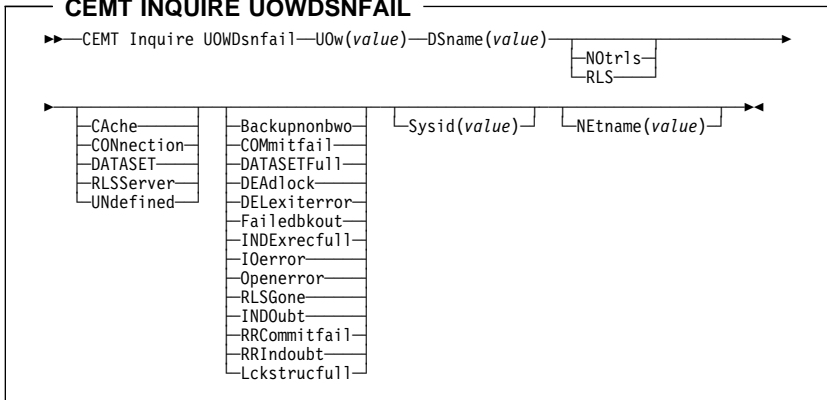


CST syntax

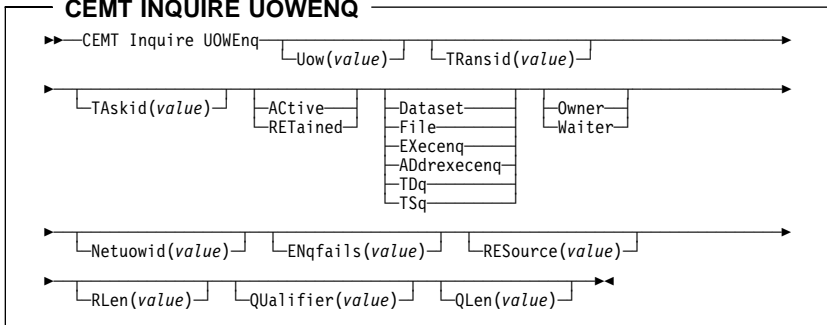


CST syntax

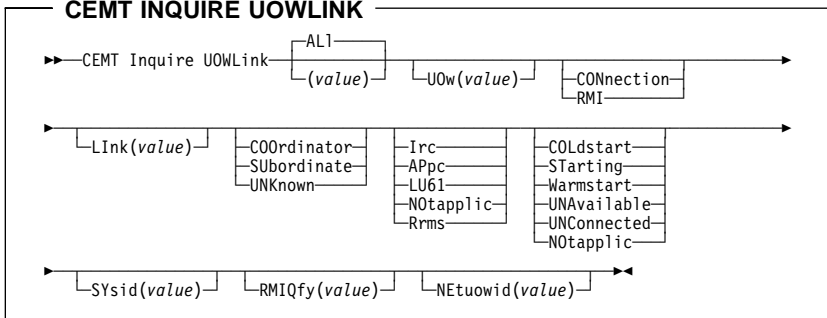
CEMT INQUIRE UOWDSNFAIL



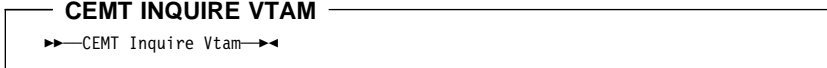
CEMT INQUIRE UOWENQ



CEMT INQUIRE UOWLINK



CEMT INQUIRE VTAM



CST syntax

CEMT PERFORM DELETSHIPED

▶▶CEMT Perform DEletshipped▶▶

CEMT PERFORM ENDAFFINITY

▶▶CEMT Perform Endaffinity—NETName(*value*)—
└─NETId(*value*)—▶▶

CEMT PERFORM RESET

▶▶CEMT Perform Reset▶▶

CEMT PERFORM SECURITY REBUILD

▶▶CEMT Perform SEcurity—
└─Rebuild—▶▶

CEMT PERFORM SHUTDOWN

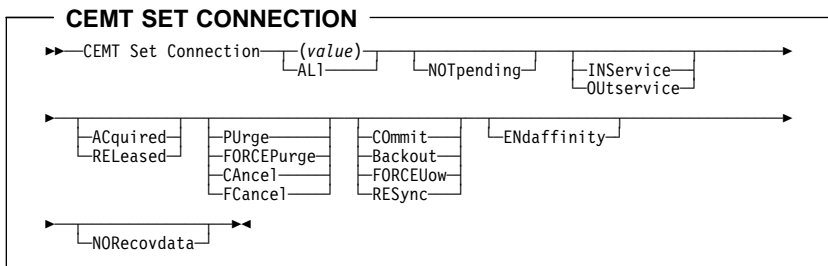
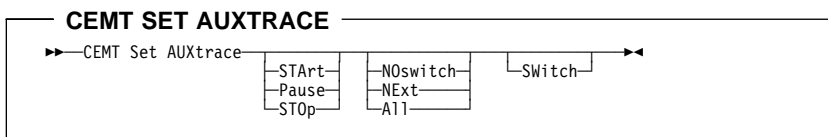
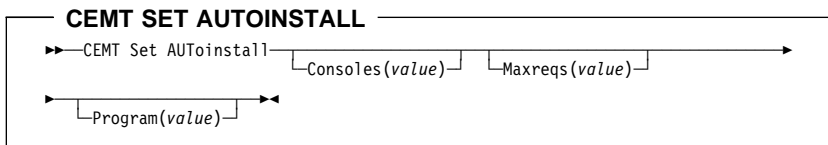
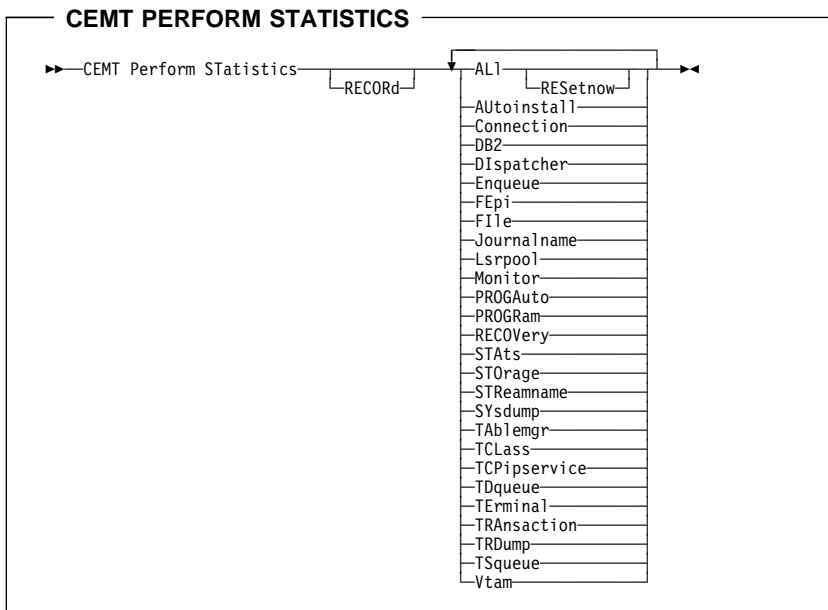
▶▶CEMT Perform SHUTdown—
└─Xlt(*value*)—└─P1t(*value*)—
└─Sdtran(*value*)—
└─NOSdtran—▶▶

└─Immediate—
└─NORestart—└─Takeover—
└─Dump—▶▶

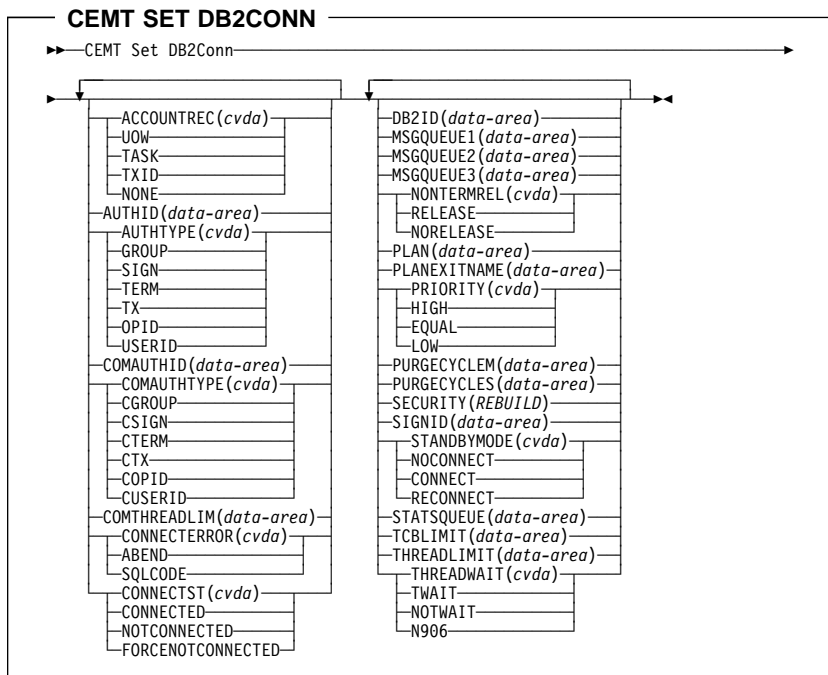
CEMT PERFORM DUMP

▶▶CEMT Perform—
└─DUmp—
└─SNap—└─Title(*value*)—▶▶

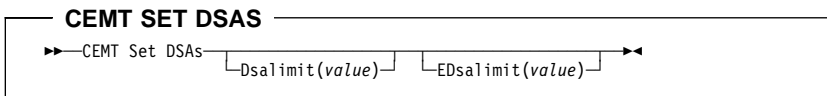
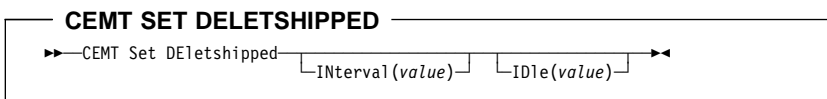
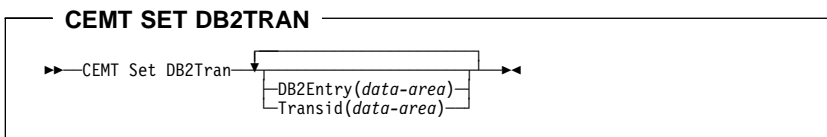
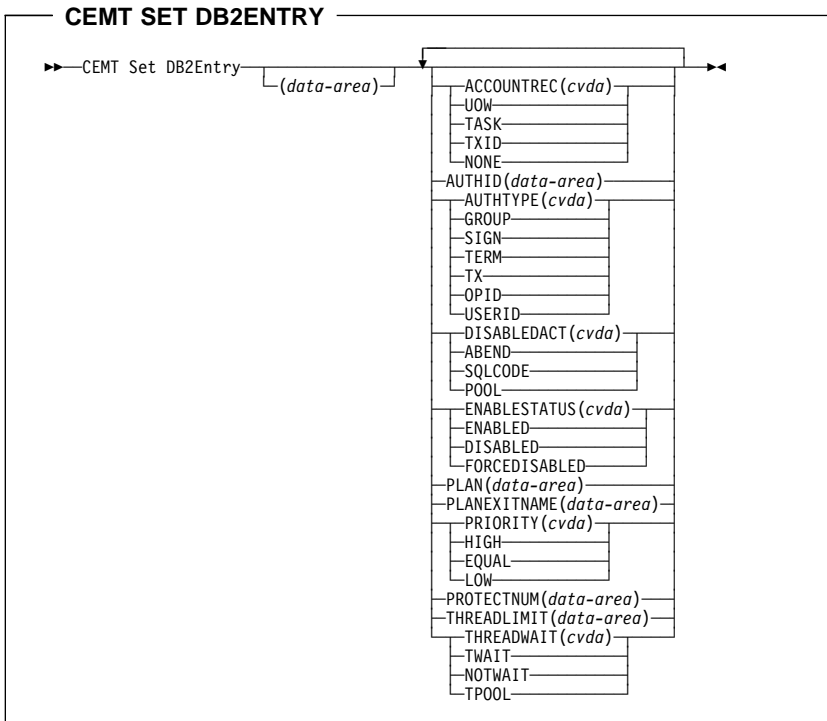
CST syntax



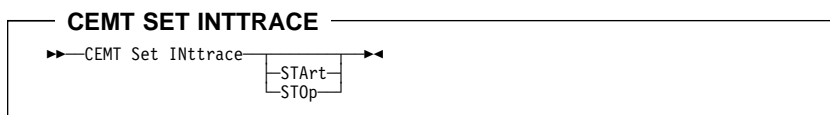
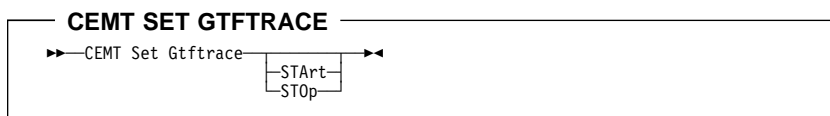
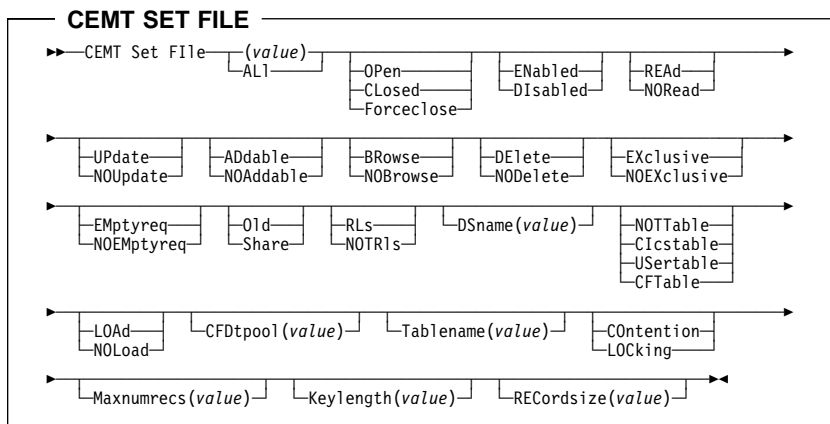
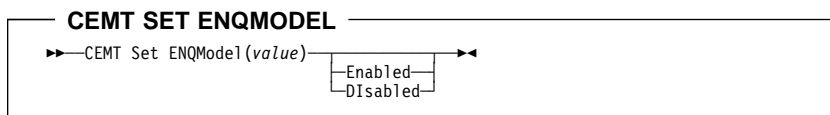
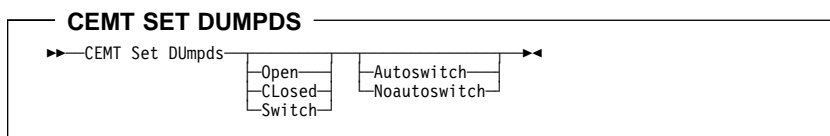
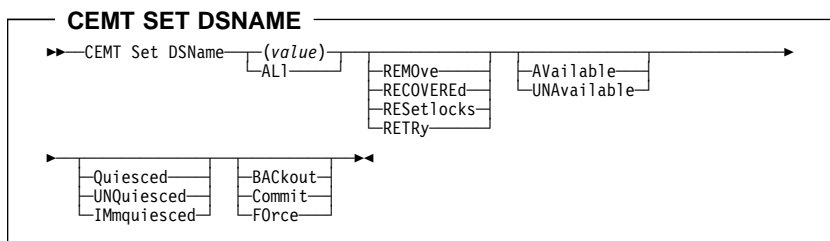
CST syntax



CST syntax

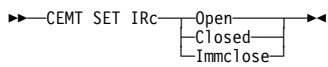


CST syntax

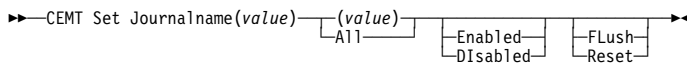


CST syntax

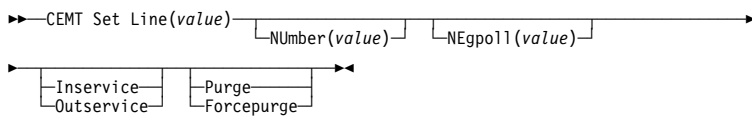
CEMT SET IRC



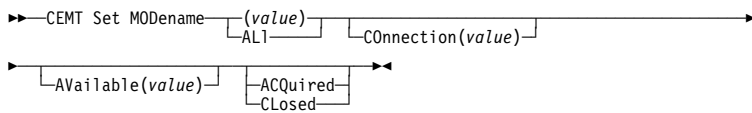
CEMT SET JOURNALNAME



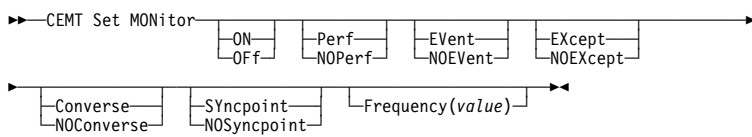
CEMT SET LINE



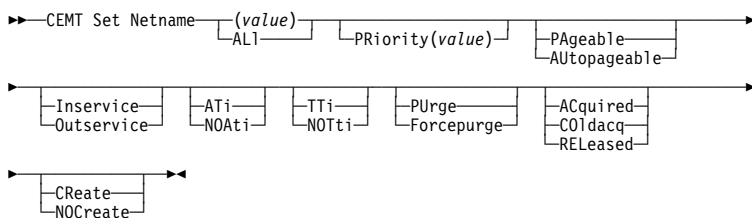
CEMT SET MODENAME



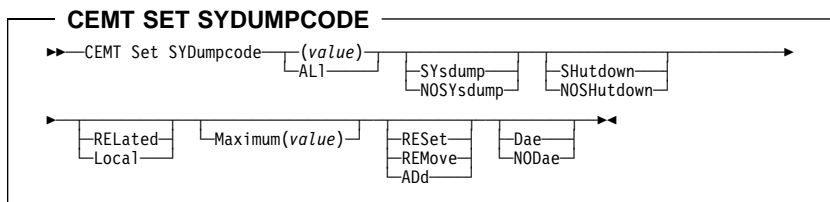
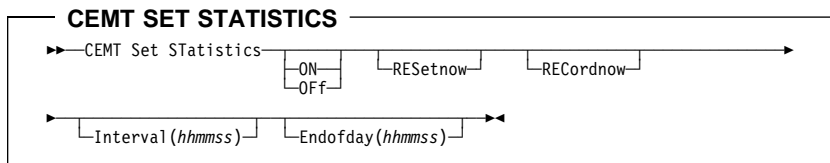
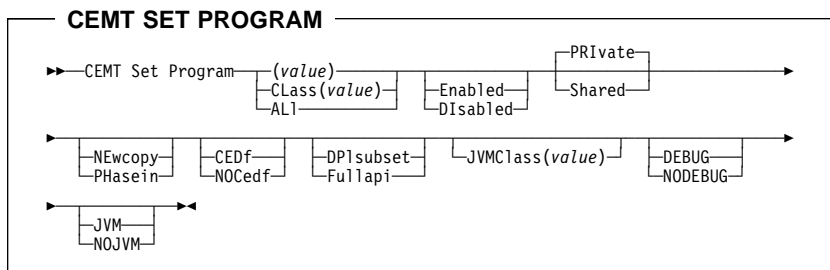
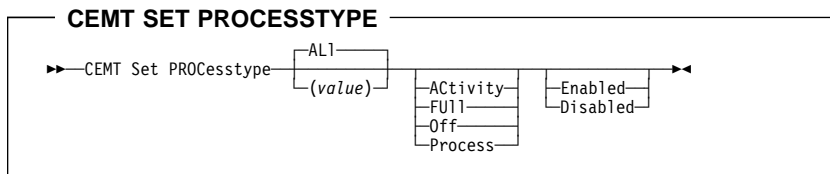
CEMT SET MONITOR



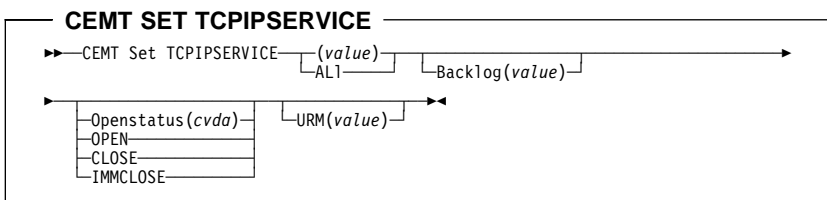
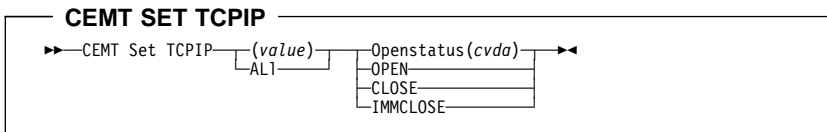
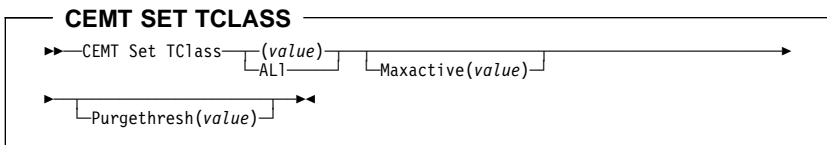
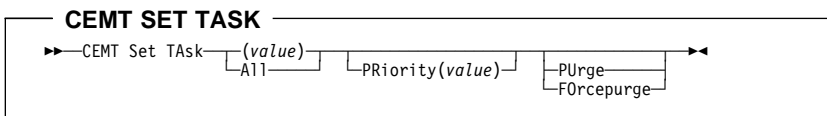
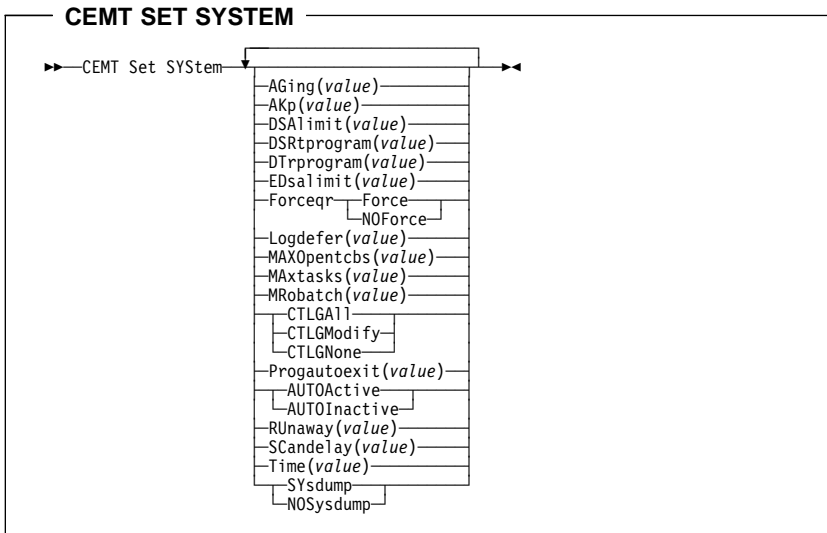
CEMT SET NETNAME



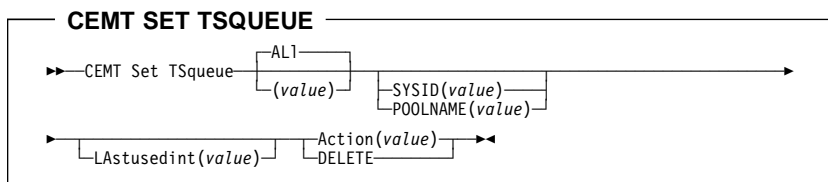
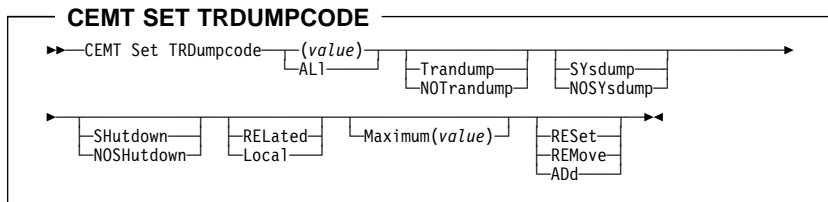
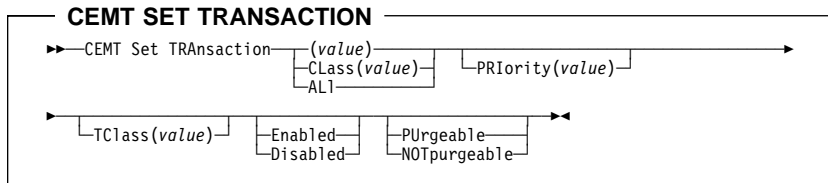
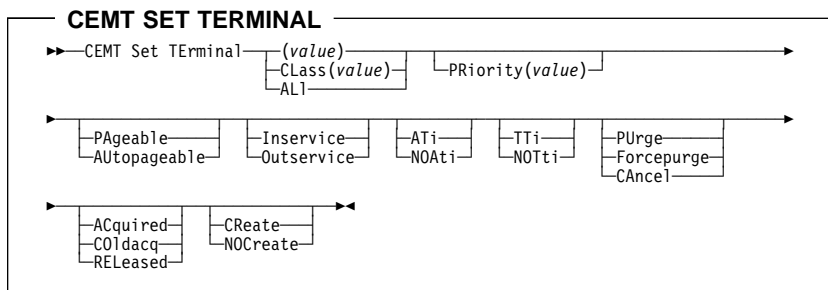
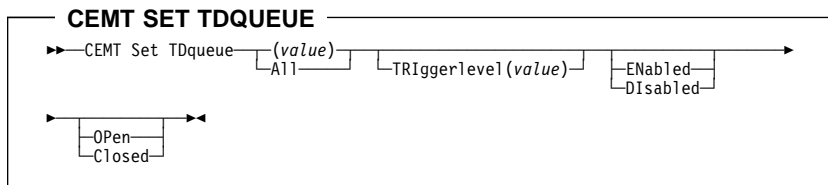
CST syntax



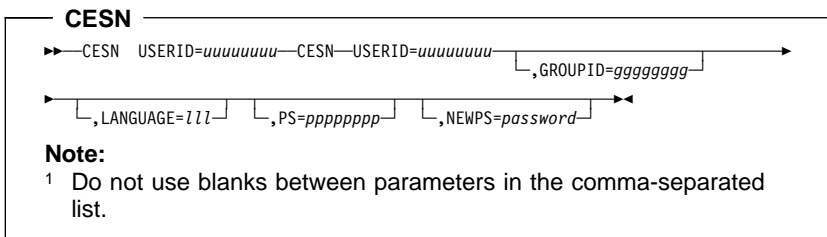
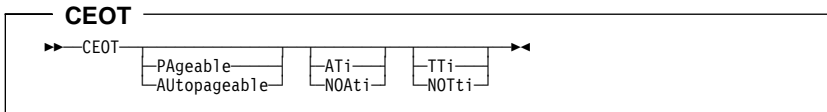
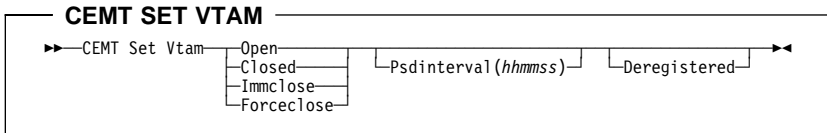
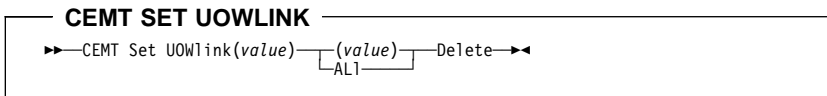
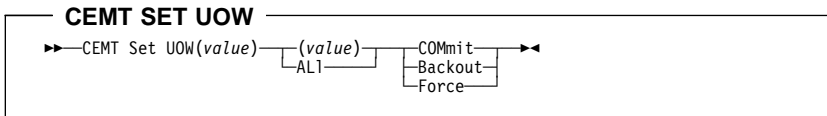
CST syntax



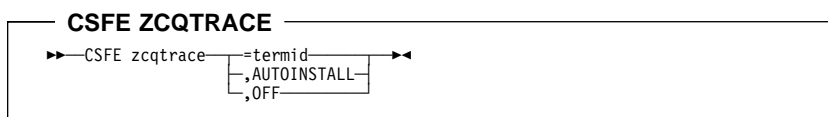
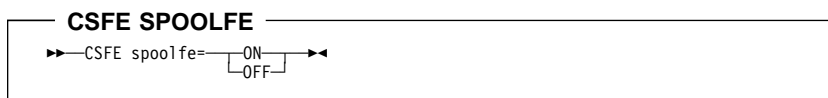
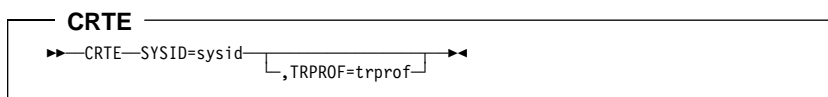
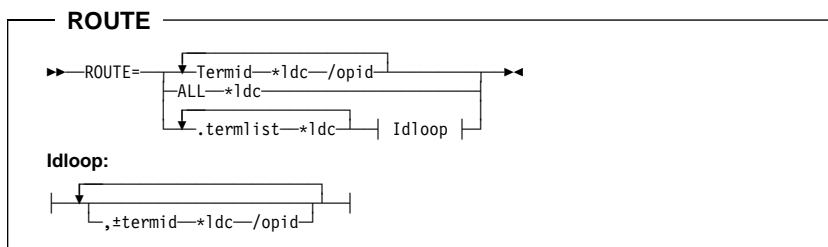
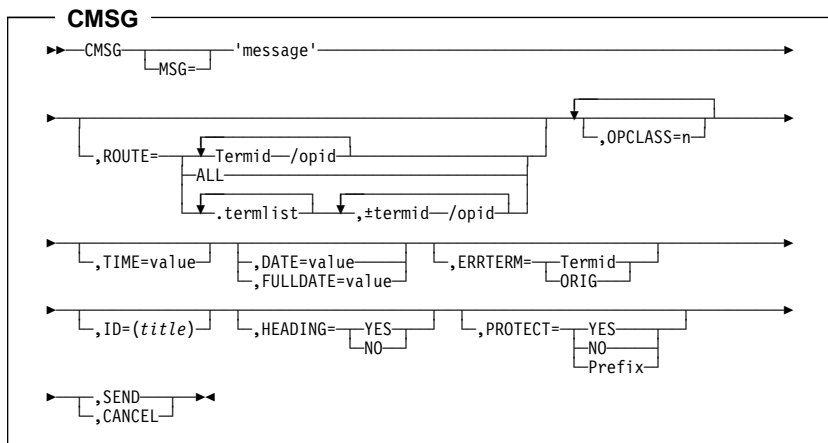
CST syntax



CST syntax

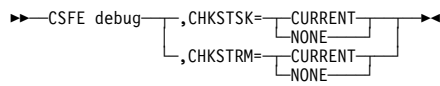


CST syntax

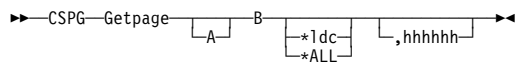


CST syntax

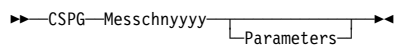
CSFE DEBUG CHKSTSK



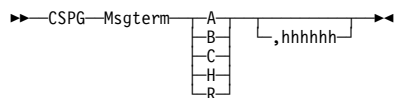
CSPG GETPAGE



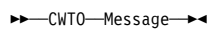
CSPG MESSCHNYYYY



CSPG MSGTERM



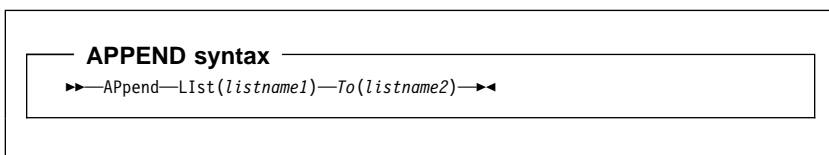
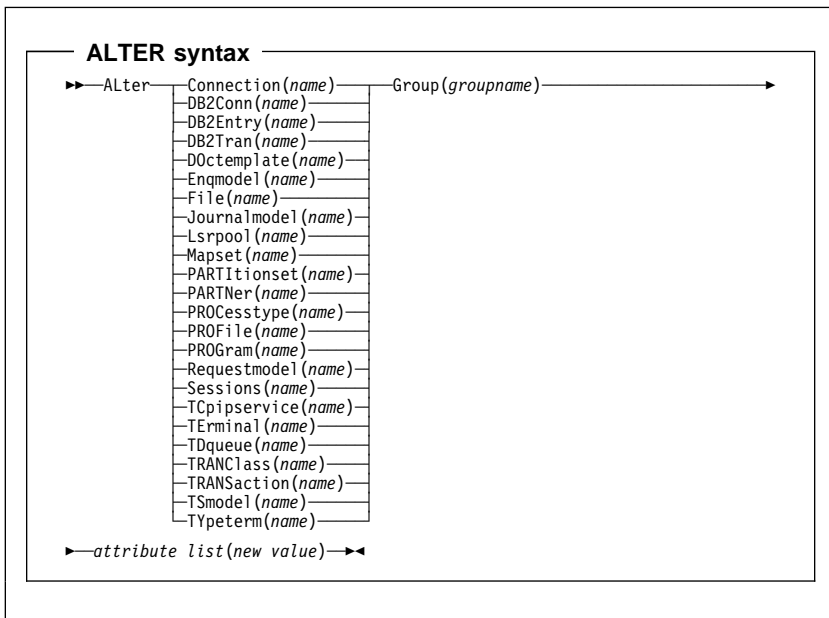
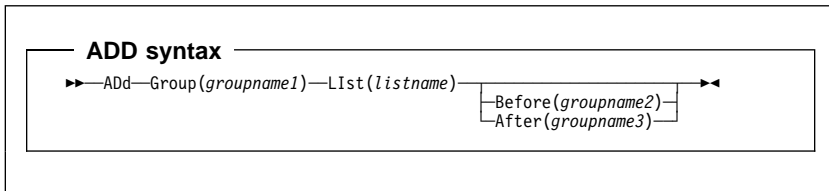
CWTO



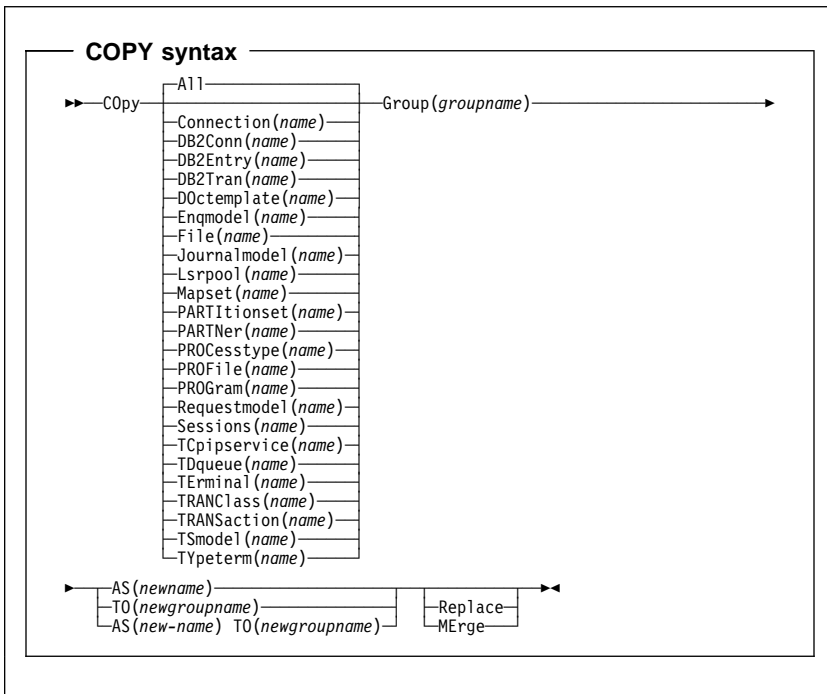
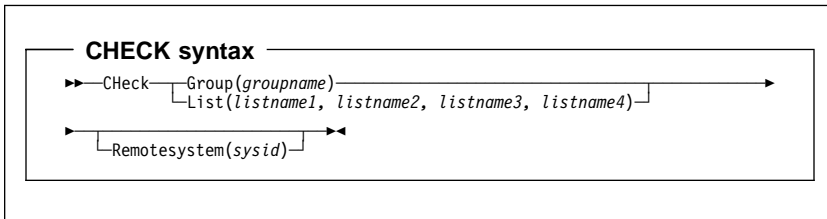
CST syntax

Chapter 4. Resource definition online

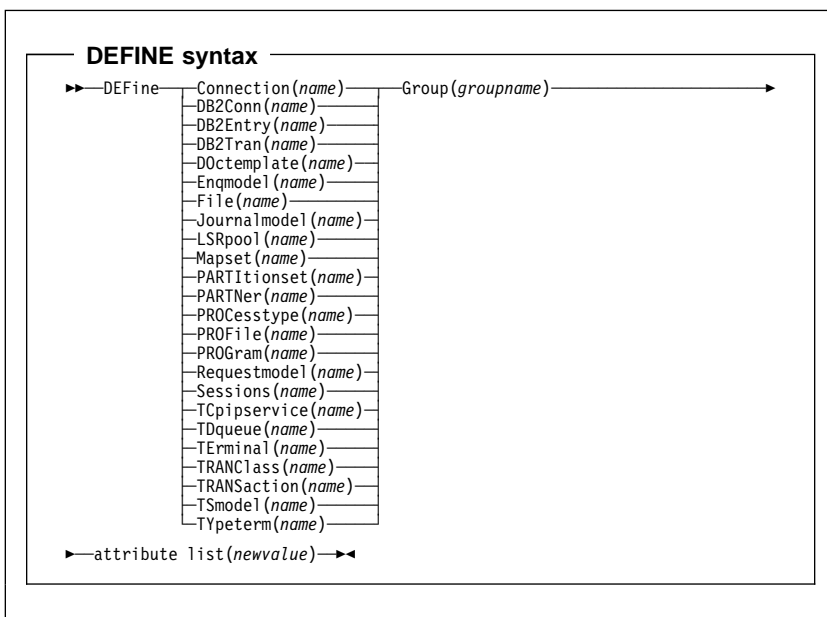
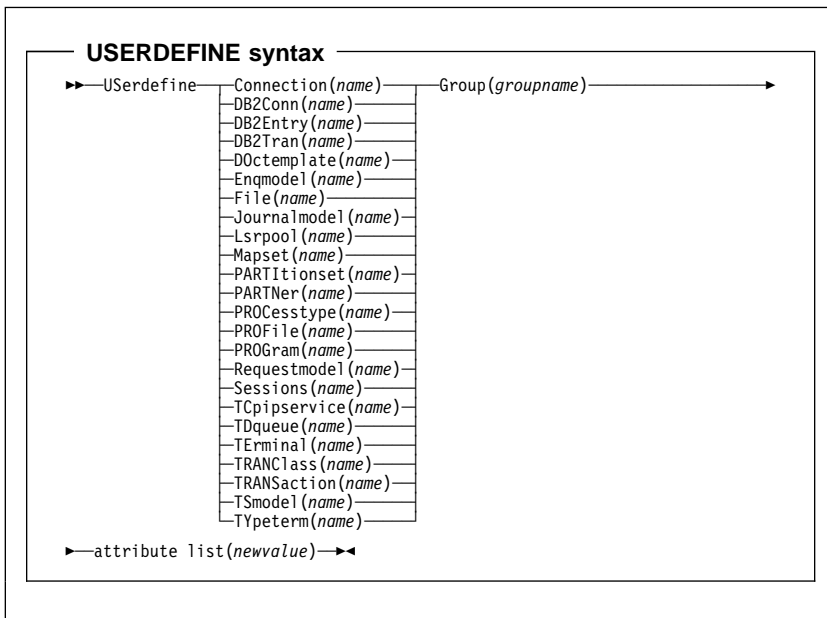
The syntax diagrams that follow are taken from the *CICS Resource Definition Guide*.



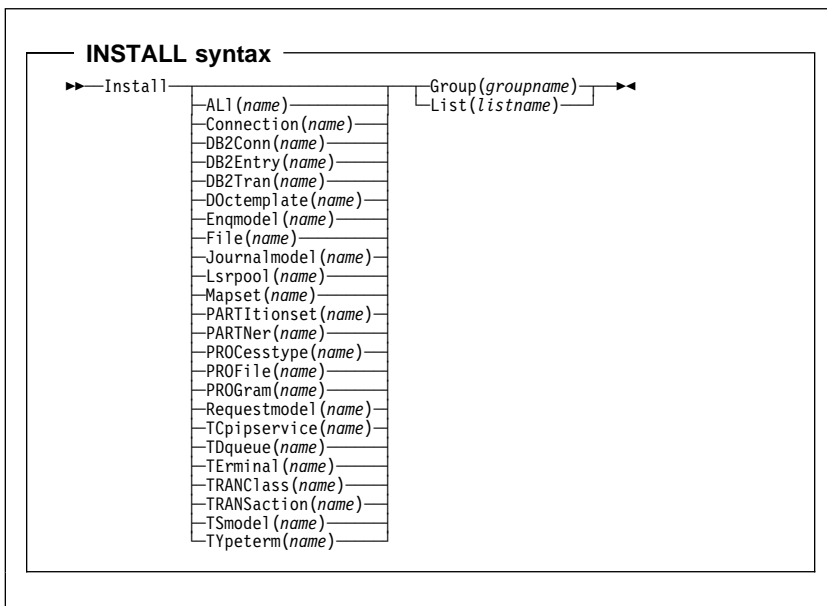
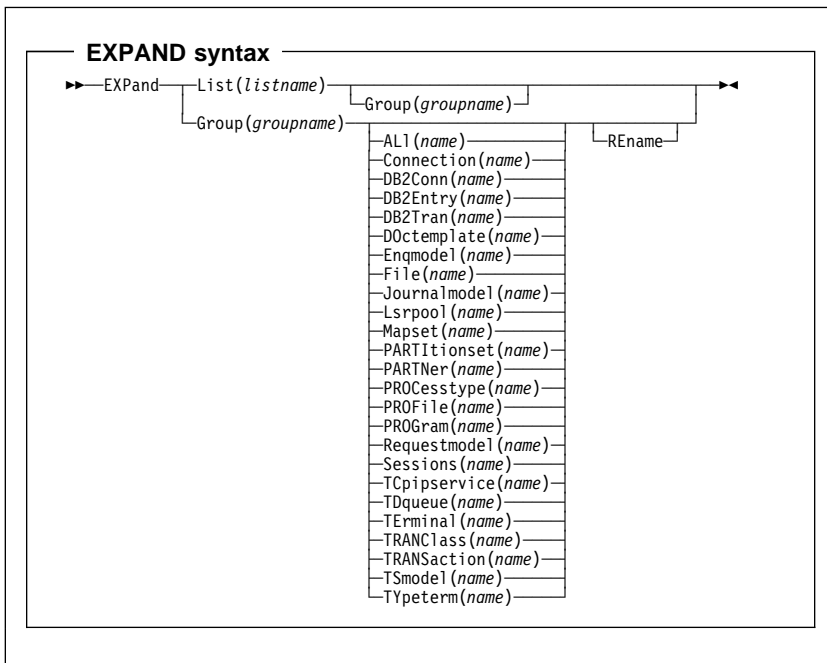
RDO



RDO



RDO



RDO

LOCK syntax

```

▶▶ Lock Group(groupname) List(listname) ▶▶

```

MOVE syntax

```

▶▶ Move
  All
  Connection(name)
  DB2Conn(name)
  DB2Entry(name)
  DB2Tran(name)
  DOctemplate(name)
  Enqmodel(name)
  File(name)
  Journalmodel(name)
  Lsrpool(name)
  Mapset(name)
  PARTIitionset(name)
  PROCesstype(name)
  PROFile(name)
  PROGram(name)
  Requestmodel(name)
  Sessions(name)
  TCpipservice(name)
  TDqueue(name)
  TERminal(name)
  TRANClass(name)
  TRANSaction(name)
  TSmodel(name)
  TYpeterm(name)
  Group(groupname) REMove ▶▶
  AS(newname)
  TO(newgroupname)
  AS(newname) TO(newgroupname)
  REPlace
  MErge

```

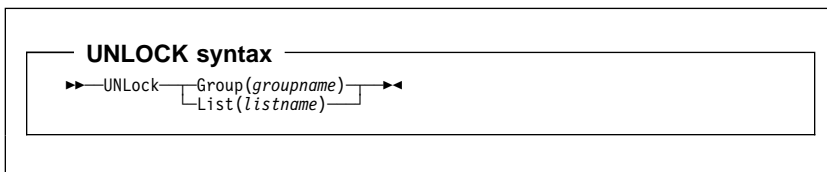
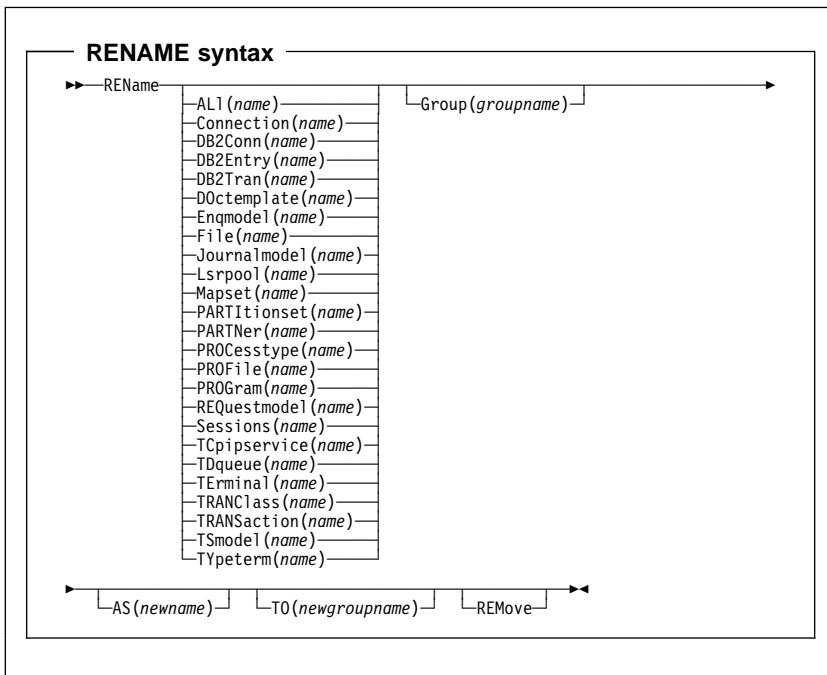
REMOVE syntax

```

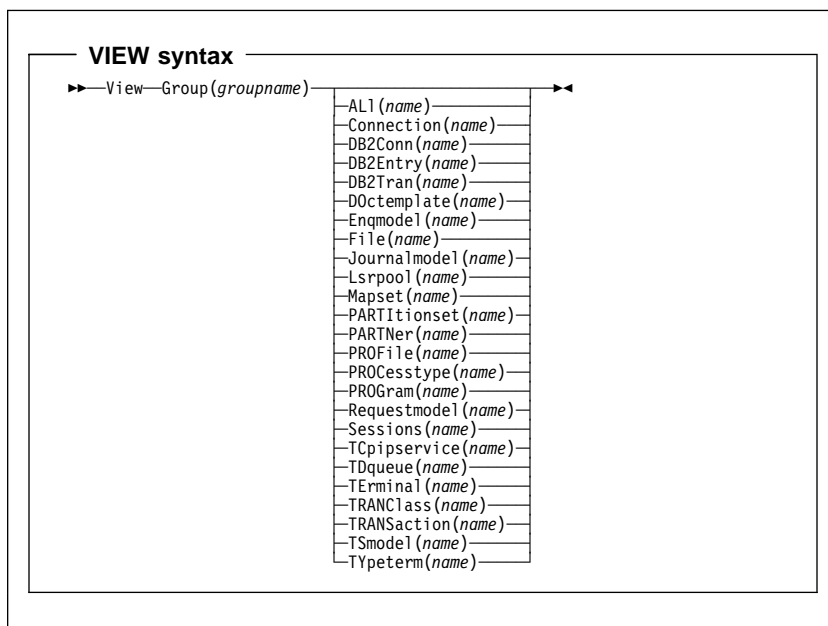
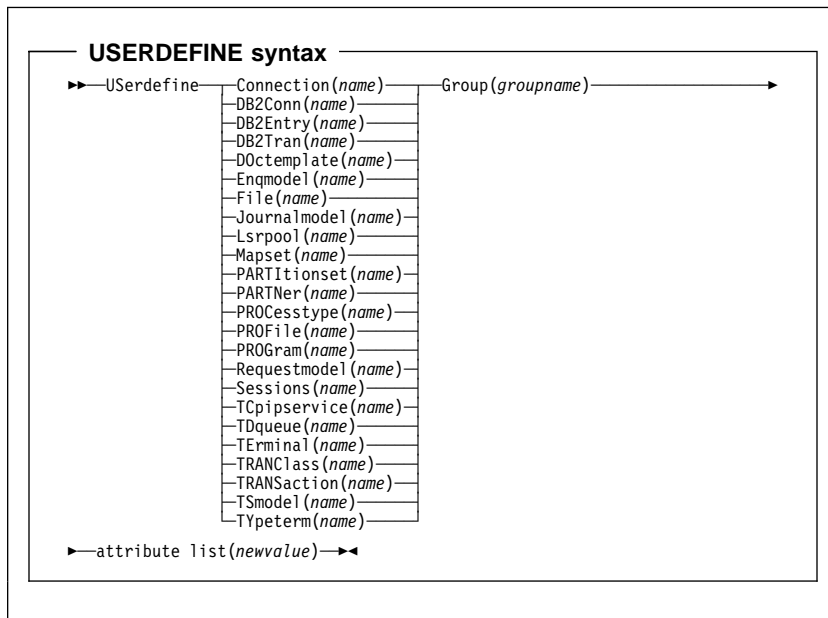
▶▶ REMove Group(groupname) List(listname) ▶▶

```

RDO



RDO



Chapter 5. DFHCSDUP commands

The syntax diagrams that follow are taken from the *CICS Resource Definition Guide*.

ADD syntax

```
▶▶—Add—Group(groupname)—List(listname)—▶▶
```

ALTER syntax

```
▶▶—Alter—
  Connection(name)—
  DB2Conn(name)—
  DB2Entry(name)—
  DB2Tran(name)—
  DOctemplate(name)—
  Enqmodel(name)—
  File(name)—
  Journalmodel(name)—
  Lsrpool(name)—
  Mapset(name)—
  PARTitionset(name)—
  PARTner(name)—
  PROCesstype(name)—
  PROfile(name)—
  PROgram(name)—
  Requestmodel(name)—
  Sessions(name)—
  TCpipservice(name)—
  TDqueue(name)—
  TErминаl(name)—
  TRANClass(name)—
  TRANSACTION(name)—
  TSmodel(name)—
  TYpeterm(name)—
  Group(groupname)—▶▶
  attribute list(new value)—▶▶
```

APPEND syntax

```
▶▶—Append—FRomcsd(ddname)—List(listname1)—To(listname2)—▶▶
```

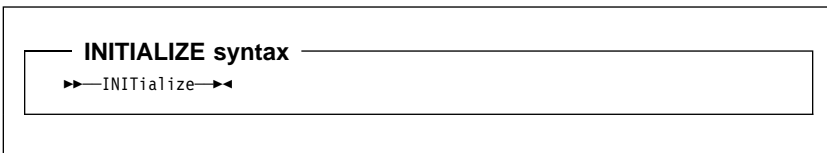
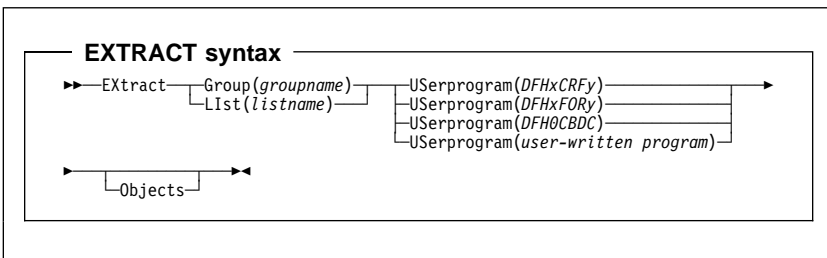
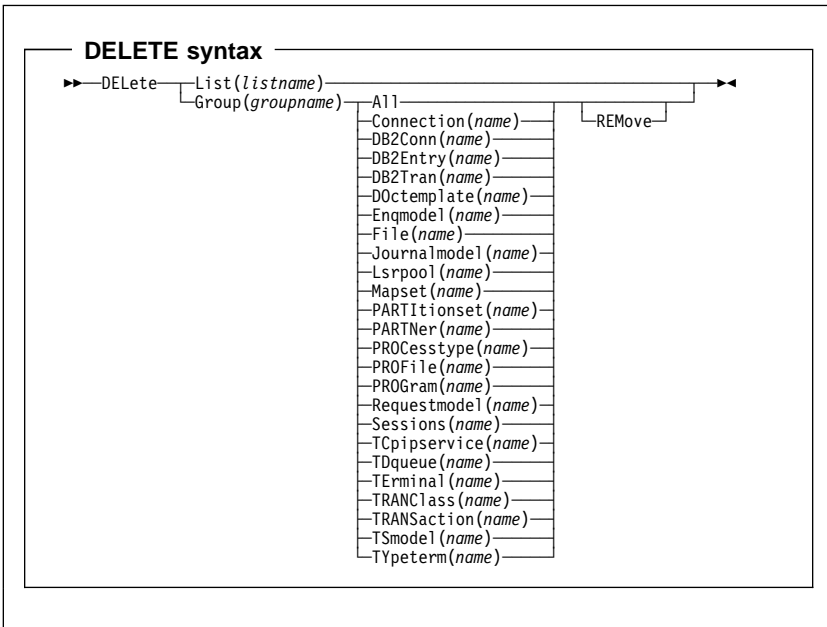
CSD

COPY syntax

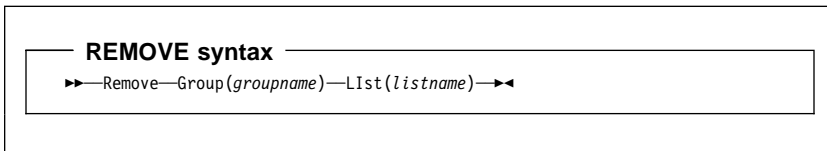
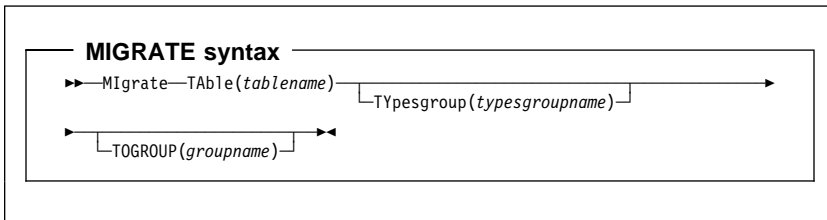
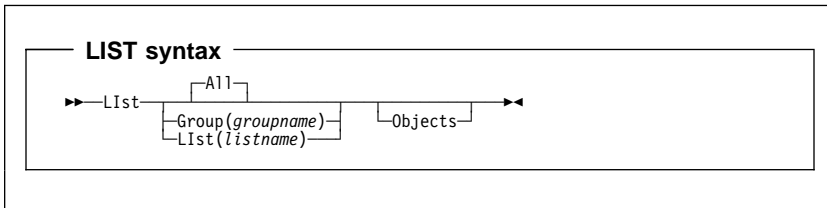
►► Copy Group(*groupname1*) To(*groupname2*) →
 Replace
 Merge
►► FROMcscd(*ddname*) →◄

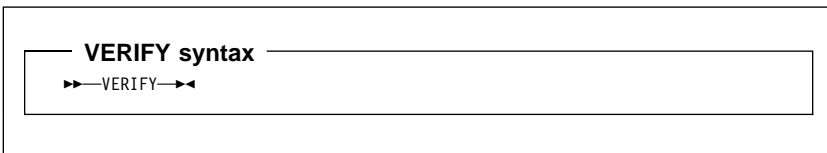
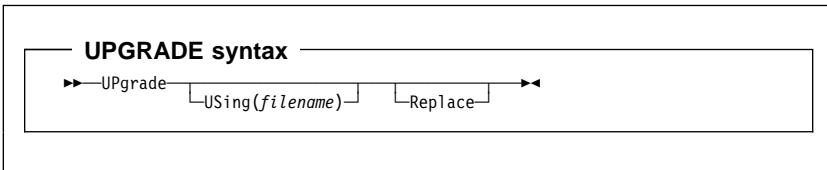
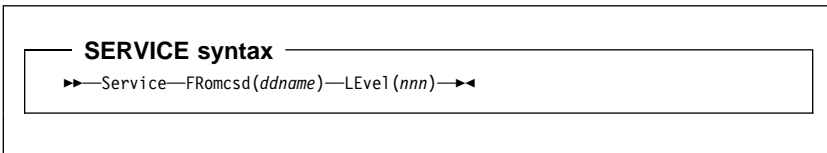
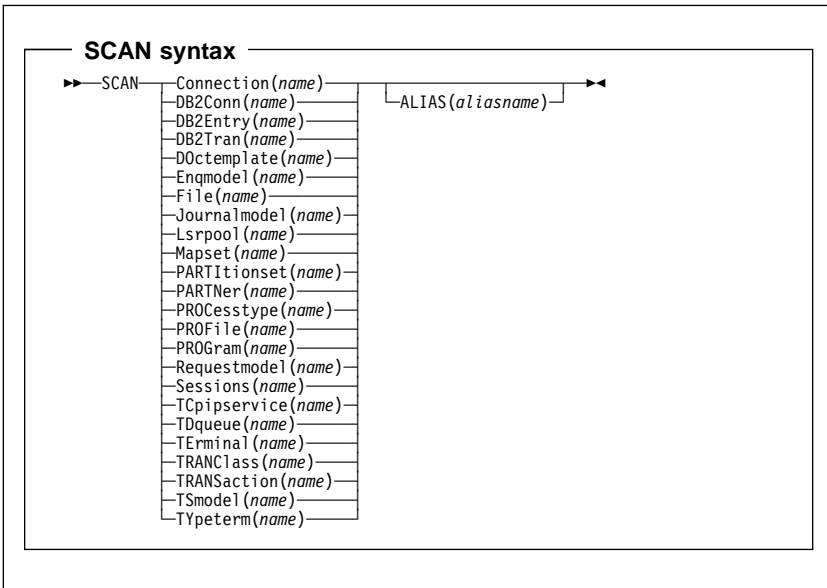
DEFINE syntax

►► DEFINE Connection(*name*) Group(*groupname*) →
 DB2Conn(*name*)
 DB2Entry(*name*)
 DB2Tran(*name*)
 DOctemplate(*name*)
 Enqmodel(*name*)
 File(*name*)
 Journalmodel(*name*)
 LSRpool(*name*)
 Mapset(*name*)
 PARTitionset(*name*)
 PARTner(*name*)
 PROcesstype(*name*)
 PROFile(*name*)
 PROGram(*name*)
 Requestmodel(*name*)
 Sessions(*name*)
 TCpipservice(*name*)
 TDqueue(*name*)
 TERminal(*name*)
 TRANClass(*name*)
 TRANSACTION(*name*)
 TSmodel(*name*)
 TYpeterm(*name*)
►► attribute list(*newvalue*) →◄



CSD





CSD

Chapter 6. Front End Programming Interface command reference

This chapter contains General Use Programming Interface information.

FEPI application programming

FEPI ALLOCATE PASSCONVID

▶▶FEPI ALLOCATE—PASSCONVID(*data-value*)—▶▶

Conditions:
INVREQ

FEPI ALLOCATE POOL

▶▶FEPI ALLOCATE—POOL(*data-value*)—CONVID(*data-area*)—▶▶
 └─TARGET(*data-value*)┘ └─TIMEOUT(*data-value*)┘ └─SEQNUMIN(*data-area*)┘
 └─SEQNUMOUT(*data-area*)┘ └─SESSNSTATUS(*cvda*)┘▶▶

Conditions:
INVREQ

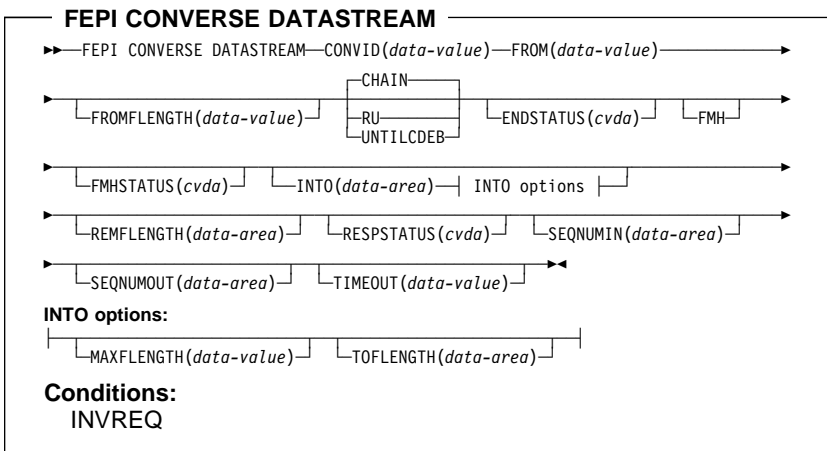
FEPI AP NOOP

▶▶FEPI AP NOOP—▶▶

Conditions:
INVREQ

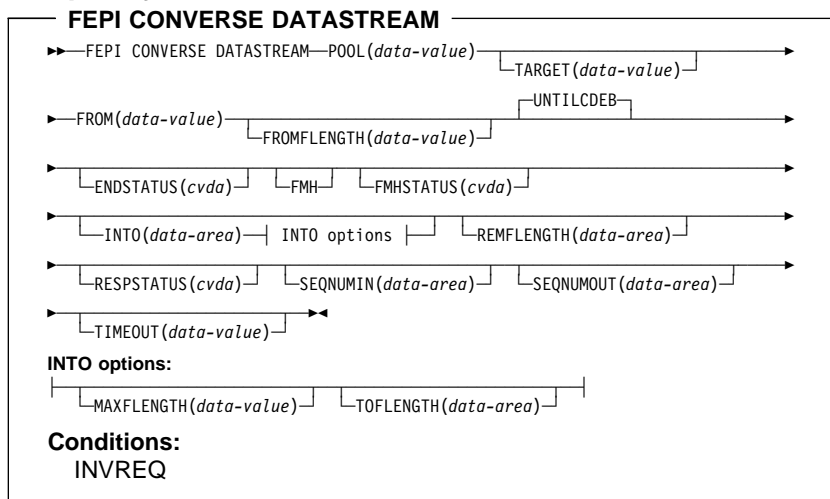
Previously allocated conversation

FEPI programming

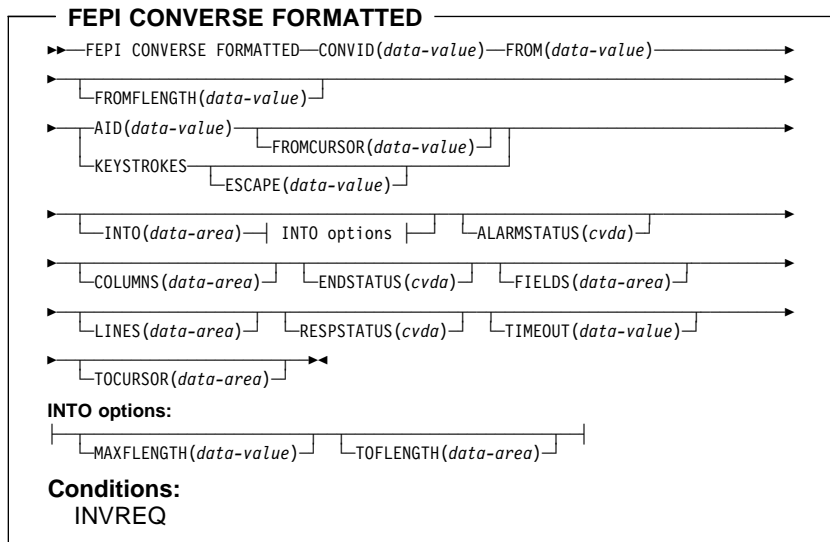


FEPI programming

Temporary conversation

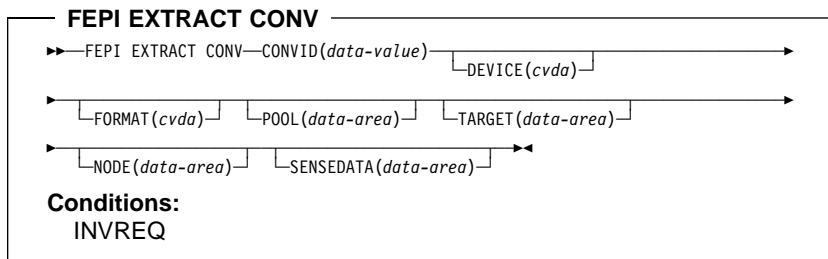
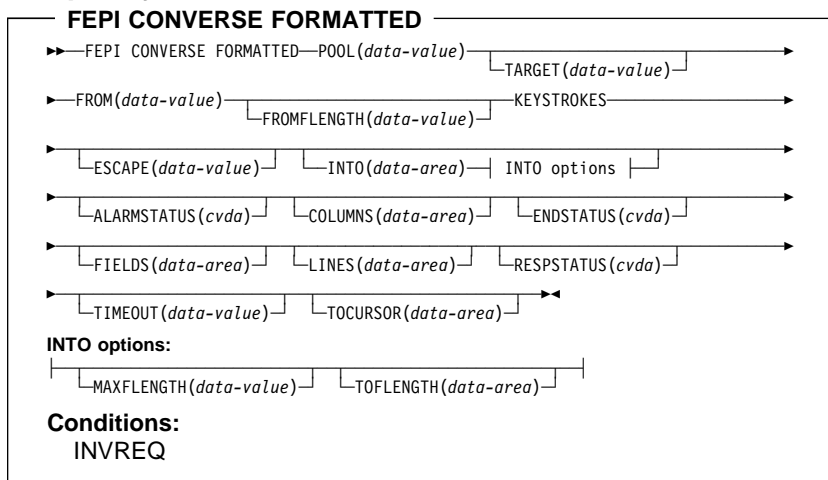


Previously allocated conversation



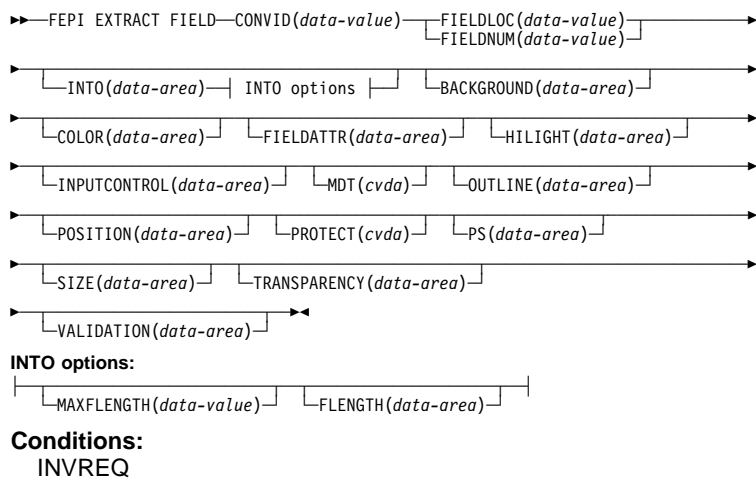
FEPI programming

Temporary conversation

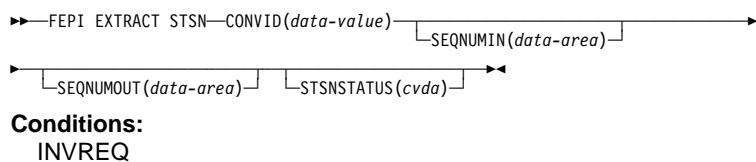


FEPI programming

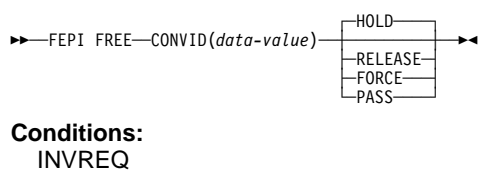
FEPI EXTRACT FIELD



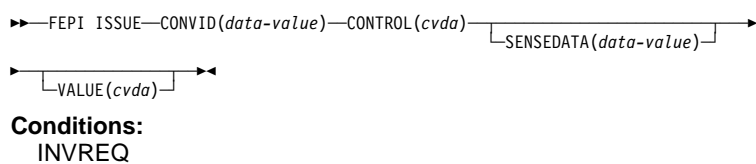
FEPI EXTRACT STSN



FEPI FREE

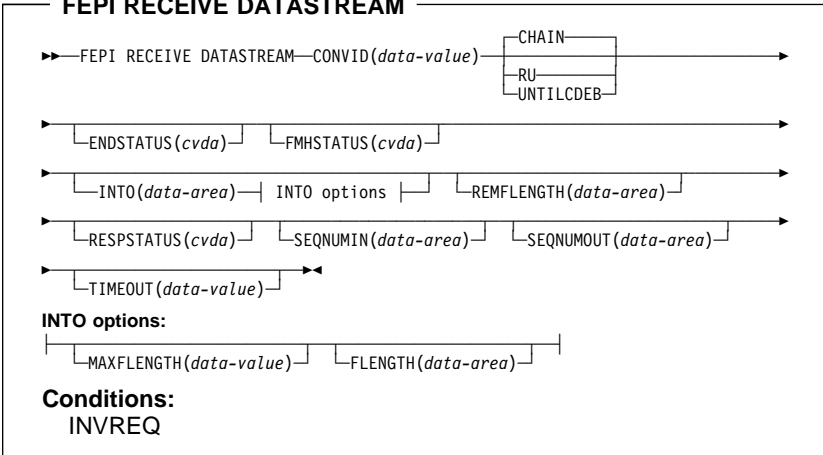


FEPI ISSUE

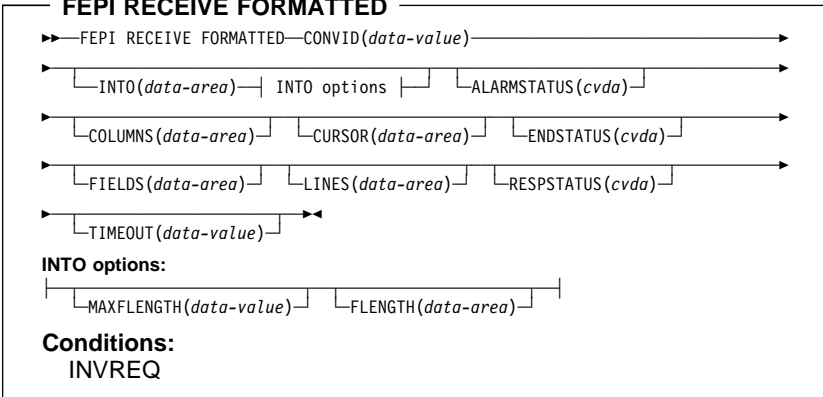


FEPI programming

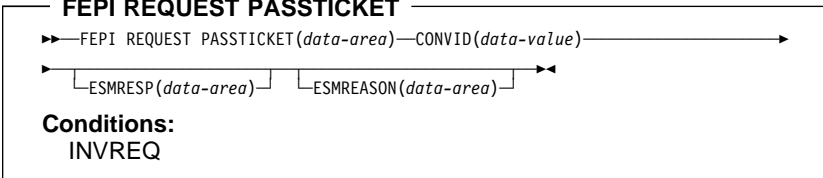
FEPI RECEIVE DATASTREAM



FEPI RECEIVE FORMATTED

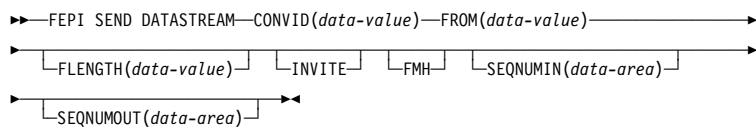


FEPI REQUEST PASSTICKET



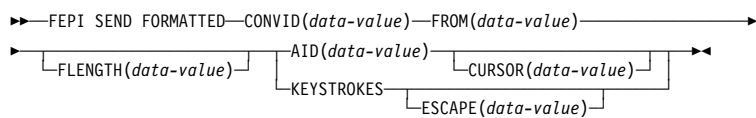
FEPI programming

FEPI SEND DATASTREAM



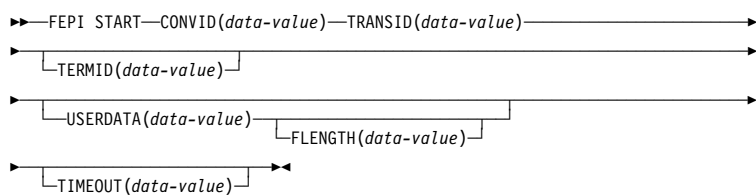
Conditions:
INVREQ

FEPI SEND FORMATTED



Conditions:
INVREQ

FEPI START

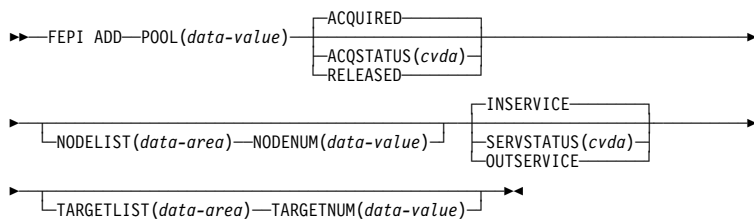


Conditions:
INVREQ

FEPI programming

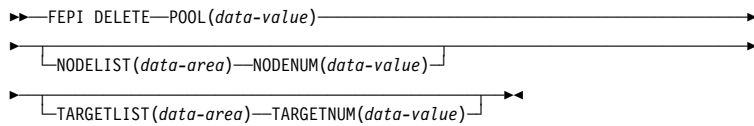
FEPI system programming

FEPI ADD POOL



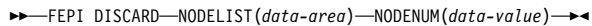
Conditions:
INVREQ, NOTAUTH

FEPI DELETE POOL



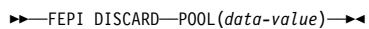
Conditions:
INVREQ, NOTAUTH

FEPI DISCARD NODELIST



Conditions:
INVREQ, NOTAUTH

FEPI DISCARD POOL



Conditions:
INVREQ, NOTAUTH

FEPI DISCARD PROPERTYSET



Conditions:
INVREQ, NOTAUTH

FEPI programming

FEPI DISCARD TARGETLIST

► FEPI DISCARD—TARGETLIST(*data-area*)—TARGETNUM(*data-value*)—►

Conditions:

INVREQ, NOTAUTH

FEPI INQUIRE CONNECTION

► FEPI INQUIRE CONNECTION—NODE(*data-value*)—TARGET(*data-value*)—►

└─ACQNUM(*data-area*)┐ └─ACQSTATUS(*cvda*)┐ └─CONVNUM(*data-area*)┐

└─INSTLSTATUS(*cvda*)┐ └─LASTACQCODE(*data-area*)┐ └─POOL(*data-area*)┐

└─SERVSTATUS(*cvda*)┐ └─STATE(*cvda*)┐ └─USERDATA(*data-area*)┐

└─WAITCONVNUM(*data-area*)┐ ►

Conditions:

END, ILLOGIC, INVREQ, NOTAUTH

FEPI INQUIRE NODE

► FEPI INQUIRE—NODE(*data-value*)—►

└─ACQNUM(*data-area*)┐

└─ACQSTATUS(*cvda*)┐ └─INSTLSTATUS(*cvda*)┐ └─LASTACQCODE(*data-area*)┐

└─SERVSTATUS(*cvda*)┐ └─USERDATA(*data-area*)┐ ►

Conditions:

END, ILLOGIC, INVREQ, NOTAUTH

FEPI INQUIRE POOL

► FEPI INQUIRE—POOL(*data-value*)—►

└─BEGINSESSION(*data-area*)┐

└─CONTENTION(*cvda*)┐ └─DEVICE(*cvda*)┐ └─ENDSESSION(*data-area*)┐

└─EXCEPTIONQ(*data-area*)┐ └─FJOURNALNUM(*data-area*)┐ └─FORMAT(*cvda*)┐

└─INITIALDATA(*cvda*)┐ └─INSTLSTATUS(*cvda*)┐ └─MAXLENGTH(*data-area*)┐

└─MSGJRN(*cvda*)┐ └─PROPERTYSET(*data-area*)┐ └─SERVSTATUS(*cvda*)┐

└─STSN(*data-area*)┐ └─UNSOLDATA(*data-area*)┐ └─UNSOLDATAACK(*cvda*)┐

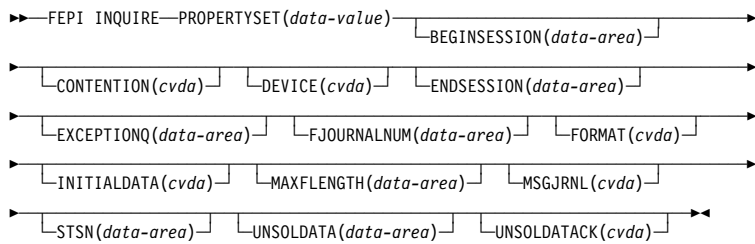
└─USERDATA(*data-area*)┐ └─WAITCONVNUM(*data-area*)┐ ►

Conditions:

END, ILLOGIC, INVREQ, NOTAUTH

FEPI programming

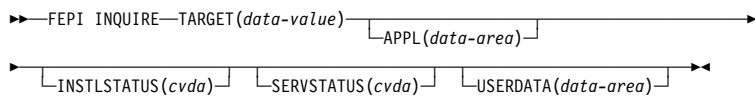
FEPI INQUIRE PROPERTYSET



Conditions:

END, ILLOGIC, INVREQ, NOTAUTH

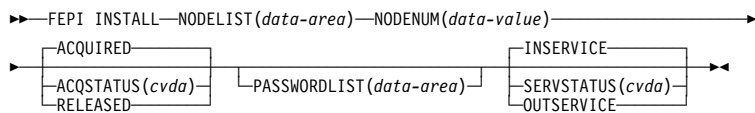
FEPI INQUIRE TARGET



Conditions:

END, ILLOGIC, INVREQ, NOTAUTH

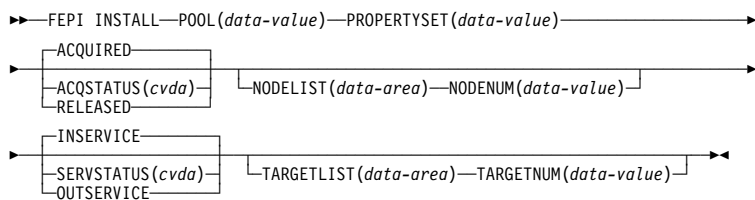
FEPI INSTALL NODELIST



Conditions:

INVREQ, NOTAUTH

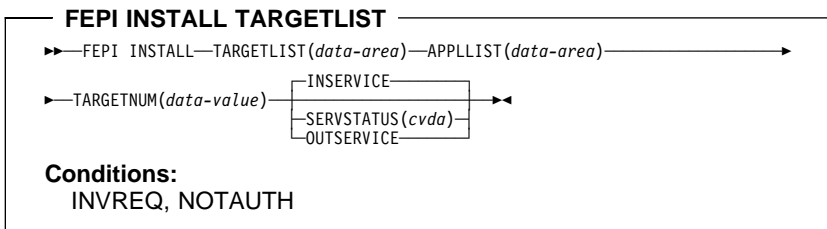
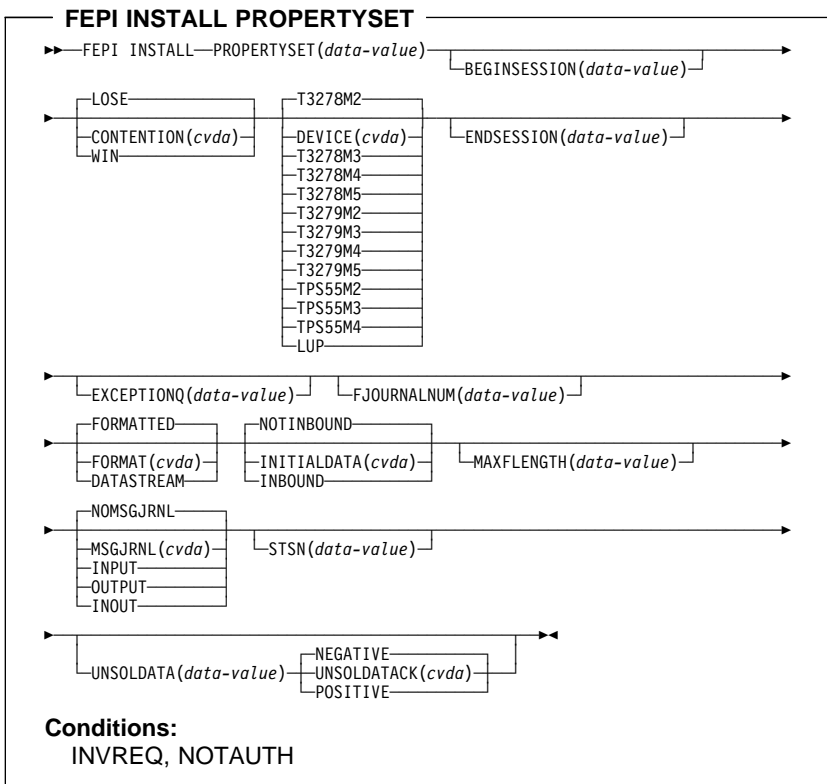
FEPI INSTALL POOL



Conditions:

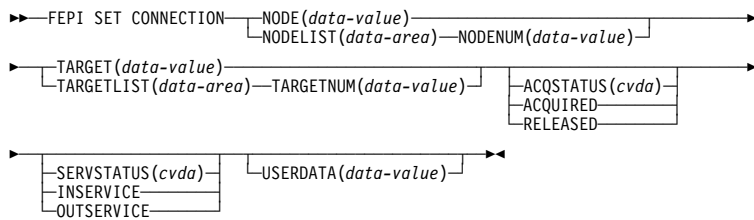
INVREQ, NOTAUTH

FEPI programming



FEPI programming

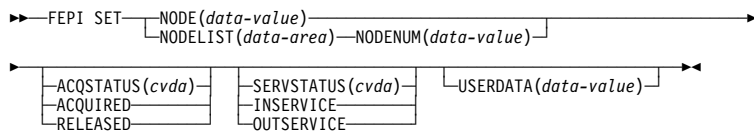
FEPI SET CONNECTION



Conditions:

INVREQ, NOTAUTH

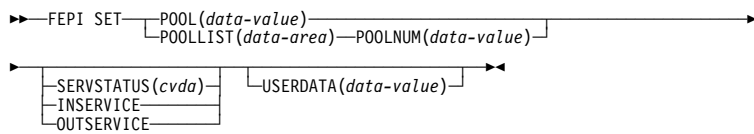
FEPI SET NODE



Conditions:

INVREQ, NOTAUTH

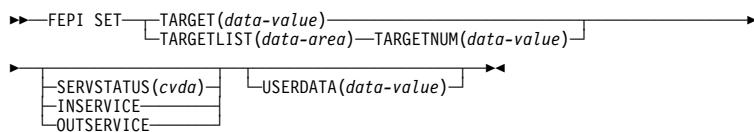
FEPI SET POOL



Conditions:

INVREQ, NOTAUTH

FEPI SET TARGET



Conditions:

INVREQ, NOTAUTH

FEPI programming

FEPI SP NOOP

▶—FEPI SP NOOP—▶

Conditions:

INVREQ, NOTAUTH

FEPI programming

Chapter 7. CICS-value data areas used by all commands

This section lists the CICS-value data-area (CVDA) values and their numeric equivalents for all of the EXEC CICS commands. CVDA's are described in the *CICS System Programming Reference*.

This section consists of three tables:

- one, in alphabetic sequence of the CVDA values;
- one, (beginning on page 233) in numeric sequence of the CVDA values;
- and one, (beginning on page 240) gives the CVDA values returned by the INQUIRE TERMINAL|NETNAME DEVICE command.

CVDA's and numeric values in alphabetic sequence

CVDA	Value	CVDA	Value
ABEND	900	ASSEMBLER	150
ACQFAIL	515	ATI	75
ACQUIRED	69	ATTENTION	524
ACQUIRING	71	AUDALARM	395
ACTIVE	181	AUTOACTIVE	630
ACTIVITY	1002	AUTOARCH	262
ADD	291	AUTOCONN	170
ADDABLE	41	AUTOINACTIVE	631
ADDFAIL	519	AUTOPAGEABLE	80
ADVANCE	265	AUTOSTART	618
ALARM	501	AUXILIARY	247
ALLCONN	169	AUXPAUSE	313
ALLOCATED	81	AUXSTART	312
ALLQUERY	431	AUXSTOP	314
ALTERABLE	52	AVAILABLE	95
ALTERNATE	197	BACKOUT	192
ALTPRTCOPY	446	BACKTRANS	397
AND	1005	BACKUPNONBWO	800
ANY	158	BASE	10
APLKYBD	391	BASEAPI	1052
APLTEXT	393	BASESPACE	664
APPC	124	BDAM	2
APPCPARALLEL	374	BEGINSESSION	510
APPCSINGLE	373	BELOW	159
APPEND	1036	BGAM	63
APPLICATION	559	BINARY	1038
ASACTL	224	BLK	47
ASCI17	616	BLOCKED	16
ASCI18	617	BROWSABLE	39

CVDA	Value	CVDA	Value
BSAM	61	CONVERSE	600
BTAM	62	CONVIDLE	518
BUSY	612	COORDINATOR	770
C	149	COPID	908
CACHE	791	COPY	401
CANCEL	526	CREATE	67
CANCELLED	624	CSIGN	905
CANCELLING	1025	CTERM	906
CD	491	CTLGALL	632
CEDF	370	CTLGMODIFY	633
CFTABLE	833	CTLGNONE	634
CGROUP	902	CTRLABLE	56
CICS	660	CTX	907
CICSDATAKEY	379	CURRENT	260
CICSEXECKEY	381	CUSERID	909
CICSTABLE	101	DAE	684
CKOPEN	1055	DATA	508
CLEAR	640	DATASET	756
CLIENTAUTH	1032	DATASETFULL	793
CLOSED	19	DATASTREAM	543
CLOSELEAVE	261	DEADLOCK	794
CLOSEREQUEST	22	DEBUG	1082
CLOSING	21	DEC	46
CMDPROT	673	DEFAULT	198
CMDSECNO	205	DEFRESP1	497
CMDSECYES	207	DEFRESP1OR2	528
COBOL	151	DEFRESP2	498
COBOLII	375	DEFRESP3	499
COLD	788	DELAY	637
COLDACQ	72	DELETABLE	43
COLDQUERY	433	DELETE	292
COLDSTART	266	DELETEFAIL	520
COLOR	399	DELEXITERROR	795
COMMIT	208	DEREGERROR	679
COMMITFAIL	792	DEREGISTERED	678
COMPLETE	1026	DEST	235
COMPOSITE	1003	DISABLED	24
CONFFREE	82	DISABLING	25
CONFRECEIVE	83	DISCARDFAIL	513
CONFSEND	84	DISCREQ	444
CONNECT	903	DISCONNING	910
CONNECTED	690	DISK1	252
CONNECTING	904	DISK2	253
CONNECTION	755	DISK2PAUSE	254
CONSISTENT	723	DISPATCHABLE	228
CONSOLE	66	DORMANT	1024
CONTENTION	836	DPLSUBSET	383
CONTROLSHUT	623	DS3270	615

CVDA	Value	CVDA	Value
DUALCASE	403	FORMFEED	407
DUMMY	781	FOUTPUT	271
DYNAMIC	178	FREE	85
EB	490	FREEING	94
EBCDIC	1039	FULL	212
EMERGENCY	268	FULLAPI	384
EMPTY	210	FULLAUTO	1073
EMPTYREQ	31	FWDRECOVABLE	354
ENABLED	23	GENERIC	651
ENDAFFINITY	790	GMT	604
EQUAL	911	GOINGOUT	172
ESDS	5	GROUP	913
EVENT	334	GTFSTART	317
EVENTFAIL	1012	GTFSTOP	318
EXCEPT	332	HEURBACKOUT	758
EXCEPTRESP	523	HEURCOMMIT	757
EXCI	650	HEX	45
EXCTL	48	HFORM	409
EXECENQ	751	HIGH	914
EXECENQADDR	752	HIGHLIGHT	413
EXIT	912	HOLD	163
EXITTRACE	362	HTTPNO	1034
EXPIRED	1017	HTTPYES	1033
EXTENDEDDES	405	IGNORE	1
EXTRA	221	IGNOREERR	816
EXTSECURITY	194	IMMCLOSE	350
FAILED	782	IMMCLOSING	352
FAILEDBKOUT	357	IMMQUIESCED	706
FAILINGBKOUT	358	INACTIVE	378
FCLOSE	273	INBOUND	547
FINALQUIESCE	183	INCOMPLETE	1014
FINPUT	270	INDEXRECFULL	796
FIRE	1001	INDIRECT	122
FIRSTINIT	625	INDOUBT	620
FIRSTQUIESCE	182	INFLIGHT	621
FIXED	12	INITCOMPLETE	628
FLUSH	783	INITIAL	789
FMH	502	INOUT	532
FMHPARM	385	INPUT	226
FOPEN	272	INSERVICE	73
FORCE	342	INSTALLED	550
FORCECANCEL	655	INSTALLFAIL	512
FORCECLOSE	351	INTERNAL	1058
FORCECLOSING	353	INTRA	222
FORCED	1013	INTSTART	310
FORCEPURGE	237	INTSTOP	311
FORMATEDF	606	INVALID	359
FORMATTED	542	IOERROR	797

CVDA	Value	CVDA	Value
IRC	121	NOCMDPROT	674
ISOLATE	658	NOCOLOR	400
JVM	1080	NOCONNECT	916
KATAKANA	415	NOCONV	556
KEYED	8	NOCONVERSE	601
KSDS	6	NOCOPY	402
LCKSTRUCFULL	832	NOCREATE	68
LEAVE	811	NOCTL	223
LE370	377	NODAE	685
LIC	493	NODEBUG	1083
LIGHTPEN	417	NODISCREQ	445
LOAD	834	NODUALCASE	404
LOCAL	605	NOEMPTYREQ	32
LOCKING	837	NOEVENT	335
LOG	54	NOEXCEPT	333
LOGICAL	216	NOEXCTL	49
LOGTERM	269	NOEXIT	917
LOSE	544	NOEXITTRACE	363
LOW	915	NOEXTENDED DS	406
LPA	165	NOFMH	503
LUP	541	NOFMHPARM	386
LUSTAT	525	NOFORCE	1054
LU61	125	NOFORMATEDF	607
MAIN	248	NOFORMFEED	408
MAP	155	NOHFORM	410
MAPSET	155	NOHILIGHT	414
MCHCTL	241	NOHOLD	164
MDT	506	NOISOLATE	657
MOD	813	NOJVM	1081
MODEL	370	NOKATAKANA	416
MORE	492	NOLIGHTPEN	418
MSRCONTROL	419	NOLOAD	835
MVS	780	NOLOG	55
NEGATIVE	530	NOLOSTLOCKS	710
NEWCOPY	167	NOMDT	507
NEWSSESSION	485	NOMSGJRNL	531
NOALARM	500	NOMSRCONTROL	420
NOALTPRTCOPY	447	NONAUTOCONN	171
NOAPLKYBD	392	NONCICS	661
NOAPLTEXT	394	NONE	496
NOAPPEND	1037	NONLE370	1084
NOATI	76	NOOBFORMAT	422
NOAUDALARM	396	NOOBOPERID	388
NOAUTO	1071	NOOUTLINE	424
NOAUTOARCH	263	NOPARTITIONS	426
NOBACKTRANS	398	NOPERF	331
NOCEDF	371	NOPRESETSEC	243
NOCLEAR	641	NOPRINTADAPT	428

CVDA	Value	CVDA	Value
NOPROGSYMBOL	430	NOTRANDUMP	187
NOPRTCOPY	449	NOTREADABLE	36
NOQUERY	432	NOTREADY	259
NORECOVDATA	700	NOTRECOVABLE	30
NOREENTPROT	681	NOTREQUIRED	667
NORELEASE	918	NOTRLS	721
NORELREQ	443	NOTROUTABLE	1022
NORETAINED	711	NOTSOS	669
NORMAL	1016	NOTSUPPORTED	15
NORMALBKOUT	356	NOTSUSPENDED	1027
NORMALRESP	522	NOTTABLE	100
NOROLLBACK	919	NOTTI	78
NOSECURITY	196	NOTUPDATABLE	38
NOSHUTDOWN	289	NOTWAIT	920
NOSOSI	435	NOUCTRAN	451
NOSPI	694	NOUSER	1011
NOSSL	1031	NOVALIDATION	441
NOSTSN	487	NOVFORM	412
NOSWITCH	285	NOWAIT	341
NOSYNCPPOINT	603	NOWRITE	275
NOSYSCONNECT	654	NOZCPTRACE	365
NOSYSDUMP	185	NRS	774
NOSYSLOG	784	N906	931
NOTADDABLE	42	N906D	921
NOTALTERABLE	53	OBFORMAT	421
NOTAPPLIC	1	OBOPERID	387
NOTASKSTART	608	OBTAINING	96
NOTBROWSABLE	40	OFF	200
NOTBUSY	613	OK	274
NOTCDEB	495	OLD	26
NOTCONNECTED	691	OLDCOPY	162
NOTCTRLABLE	57	OLDSESSION	486
NOTDEFINED	659	ON	201
NOTDELETABLE	44	OPEN	18
NOTDYNAMIC	1021	OPENAPI	1053
NOTEMPTY	211	OPENERORR	798
NOTERMINAL	214	OPENING	20
NOTEXTKYBD	437	OPENOUTPUT	257
NOTEXTPRINT	439	OPID	933
NOTFIRED	1000	OR	1006
NOTFWDRCVBLE	361	OUTLINE	423
NOTINBOUND	546	OUTPUT	227
NOTINIT	376	OUTSERVICE	74
NOTINSTALLED	551	OWNER	753
NOTKEYED	9	PAGEABLE	79
NOTLPA	166	PARTITIONS	425
NOTPENDING	127	PARTITIONSET	156
NOTPURGEABLE	161	PATH	11

CVDA	Value	CVDA	Value
PENDBEGIN	558	REGISTERED	670
PENDDATA	560	REJECT	815
PENDFREE	86	RELATED	675
PENDING	126	RELEASE	563
PENDPASS	565	RELEASED	70
PENDRECEIVE	87	RELEASING	549
PENDRELEASE	562	RELREQ	442
PENDSTART	561	REMLOSTLOCKS	713
PENDSTSN	557	REMOTE	4
PENDUNSOL	564	REMOVE	276
PERF	330	REMSSESSION	740
PHASEIN	168	REMTABLE	103
PHYSICAL	215	REPEATABLE	724
PLI	152	REQUIRED	666
PL1	152	REREAD	812
POOL	922	RESET	290
POSITIVE	529	RESETLOCKS	714
POST	636	RESSECINT	203
PRESETSEC	242	RESSECNO	202
PRIMARY	110	RESSECYES	204
PRINTADAPT	427	RESYNC	702
PRIVATE	174	RETAINED	715
PROCESS	1010	RETRY	716
PROGAUTO	1072	REVERTED	264
PROGRAM	154	REWIND	811
PROGSYMBOL	429	RLS	720
PROTECTED	504	RLSACTIVE	730
PRTCOPY	448	RLSGONE	799
PURGE	236	RLSINACTIVE	731
PURGEABLE	160	RLSSERVER	761
QUASIRENT	1050	RMI	771
QUEUE	814	ROLLBACK	89
QUIESCED	707	ROUTE	638
QUIESCING	708	ROUTABLE	1023
QR	1057	RRCOMMITFAIL	830
READABLE	35	RRDS	7
READBACK	209	RRINDOUBT	831
READONLY	275	RTR	527
READY	258	RU	494
REBUILD	923	RUNNING	229
RECEIVE	88	SCS	614
RECONNECT	924	SECONDINIT	626
RECOVDATA	701	SEND	90
RECOVERABLE	29	SESSION	372
RECOVERED	277	SESSIONFAIL	517
RECOVERLOCKS	712	SESSIONLOST	516
REENTPROT	680	SETFAIL	514
REGERROR	677	SHARE	27

CVDA	Value	CVDA	Value
SHARED	173	SYSTEM	643
SHUNTED	762	SYSTEMOFF	320
SHUTDISABLED	645	SYSTEMON	319
SHUTDOWN	288	TAKEOVER	111
SHUTENABLED	644	TAPE1	250
SIGN	925	TAPE2	251
SIGNEDOFF	245	TASK	233
SIGNEDON	244	TASKSTART	611
SINGLEOFF	324	TCAM	64
SINGLEON	323	TCAMSNA	65
SKIP	810	TCEXITALL	366
SMF	255	TCEXITALLOFF	369
SOS	668	TCEXITNONE	368
SOSABOVE	683	TCEXITSYSTEM	367
SOSBELOW	682	TDQ	767
SOSI	434	TERM	234
SPECIFIC	652	TERMINAL	213
SPECTRACE	177	TEXTKYBD	436
SPI	693	TEXTPRINT	438
SPRSTRACE	175	THIRDINIT	627
SQLCODE	926	THREADSAFE	1051
SSL	1030	TIMEOUT	511
STANDBY	629	TIMER	1004
STANTRACE	176	TPOOL	932
START	635	TPS55M3	553
STARTED	609	TPS55M4	554
STARTING	772	TPS55M5	555
STARTUP	180	TRANDUMP	186
STATIC	179	TRANIDONLY	452
STOPPED	610	TSQ	768
STSN	509	TTI	77
STSNSET	488	TX	929
STSNTEST	489	TXID	928
SUBORDINATE	773	TWAIT	927
SUBSPACE	663	T3278M2	533
SURROGATE	371	T3278M3	534
SUSPENDED	231	T3278M4	535
SWITCH	188	T3278M5	536
SWITCHALL	287	T3279M2	537
SWITCHING	225	T3279M3	538
SWITCHNEXT	286	T3279M4	539
SYNCFREE	91	T3279M5	540
SYNCPOINT	602	UCTRAN	450
SYNCRECEIVE	92	UKOPEN	1056
SYNCSEND	93	UNATTEMPTED	820
SYSCONNECT	653	UNAVAILABLE	672
SYSDUMP	184	UNBLOCKED	17
SYSLOG	785	UNCOMMITTED	722

CVDA	Value
UNCONNECTED	703
UNDEFINED	14
UNDETERMINED	355
UNENABLED	33
UNENABLING	34
UNEXPECTED	1015
UNEXPIRED	1018
UNPROTECTED	505
UNQUIESCED	709
UNREGISTERED	671
UNSOLDATA	521
UOW	246
UPDATABLE	37
USER	642
USERDATAKEY	380
USEREXECKEY	382
USERID	930
USEROFF	322
USERON	321
USERTABLE	102
VALID	360
VALIDATION	440
VARIABLE	13
VFORM	411
VRRDS	732
VSAM	3
VTAM	60
WAIT	340
WAITCOMMIT	763
WAITER	754
WAITFORGET	622
WAITING	765
WAITRMI	766
WARMSTART	267
WIN	545
XCF	665
XM	123
XNOTDONE	144
XOK	143
ZCPTRACE	364

CVDAs and numeric values in numeric sequence

Value	CVDA	Value	CVDA
1	IGNORE	47	BLK
1	NOTAPPLIC	48	EXCTL
2	BDAM	49	NOEXCTL
3	VSAM	52	ALTERABLE
4	REMOTE	53	NOTALTERABLE
5	ESDS	54	LOG
6	KSDS	55	NOLOG
7	RRDS	56	CTRLABLE
8	KEYED	57	NOTCTRLABLE
9	NOTKEYED	60	VTAM
10	BASE	61	BSAM
11	PATH	62	BTAM
12	FIXED	63	BGAM
13	VARIABLE	64	TCAM
14	UNDEFINED	65	TCAMSNA
15	NOTSUPPORTED	66	CONSOLE
16	BLOCKED	67	CREATE
17	UNBLOCKED	68	NOCREATE
18	OPEN	69	ACQUIRED
19	CLOSED	70	RELEASED
20	OPENING	71	ACQUIRING
21	CLOSING	72	COLDACQ
22	CLOSEREQUEST	73	INSERVICE
23	ENABLED	74	OUTSERVICE
24	DISABLED	75	ATI
25	DISABLING	76	NOATI
26	OLD	77	TTI
27	SHARE	78	NOTTI
29	RECOVERABLE	79	PAGEABLE
30	NOTRECOVERABLE	80	AUTOPAGEABLE
31	EMPTYREQ	81	ALLOCATED
32	NOEMPTYREQ	82	CONFFREE
33	UNENABLED	83	CONFRECEIVE
34	UNENABLING	84	CONFSEND
35	READABLE	85	FREE
36	NOTREADABLE	86	PENDFREE
37	UPDATABLE	87	PENDRECEIVE
38	NOTUPDATABLE	88	RECEIVE
39	BROWSABLE	89	ROLLBACK
40	NOTBROWSABLE	90	SEND
41	ADDABLE	91	SYNCFREE
42	NOTADDABLE	92	SYNCRECEIVE
43	DELETABLE	93	SYNCSEND
44	NOTDELETABLE	94	FREEING
45	HEX	95	AVAILABLE
46	DEC	96	OBTAINING

Value	CVDA	Value	CVDA
100	NOTTABLE	182	FIRSTQUIESCE
101	CICSTABLE	183	FINALQUIESCE
102	USERTABLE	184	SYSDUMP
103	REMTABLE	185	NOSYSDUMP
110	PRIMARY	186	TRANDUMP
111	TAKEOVER	187	NOTRANDUMP
121	IRC	188	SWITCH
122	INDIRECT	192	BACKOUT
123	XM	194	EXTSECURITY
124	APPC	196	NOSECURITY
125	LU61	197	ALTERNATE
126	PENDING	198	DEFAULT
127	NOTPENDING	200	OFF
143	XOK	201	ON
144	XNOTDONE	202	RESSECNO
149	C	203	RESSECINT
150	ASSEMBLER	204	RESSECYES
151	COBOL	205	CMDSECNO
152	PLI	207	CMDSECYES
152	PL1	208	COMMIT
154	PROGRAM	209	READBACK
155	MAP	210	EMPTY
155	MAPSET	211	NOTEMPTY
156	PARTITIONSET	212	FULL
158	ANY	213	TERMINAL
159	BELOW	214	NOTTERMINAL
160	PURGEABLE	215	PHYSICAL
161	NOTPURGEABLE	216	LOGICAL
162	OLDCOPY	221	EXTRA
163	HOLD	222	INTRA
164	NOHOLD	223	NOCTL
165	LPA	224	ASACTL
166	NOTLPA	225	SWITCHING
167	NEWCOPY	226	INPUT
168	PHASEIN	227	OUTPUT
169	ALLCONN	228	DISPATCHABLE
170	AUTOCONN	229	RUNNING
171	NONAUTOCONN	231	SUSPENDED
172	GOINGOUT	233	TASK
173	SHARED	234	TERM
174	PRIVATE	235	DEST
175	SPRSTRACE	236	PURGE
176	STANTRACE	237	FORCEPURGE
177	SPECTRACE	241	MCHCTL
178	DYNAMIC	242	PRESETSEC
179	STATIC	243	NOPRESETSEC
180	STARTUP	244	SIGNEDON
181	ACTIVE	245	SIGNEDOFF

Value	CVDA	Value	CVDA
246	UOW	321	USERON
247	AUXILIARY	322	USEROFF
248	MAIN	323	SINGLEON
250	TAPE1	324	SINGLEOFF
251	TAPE2	330	PERF
252	DISK1	331	NOPERF
253	DISK2	332	EXCEPT
254	DISK2PAUSE	333	NOEXCEPT
255	SMF	334	EVENT
257	OPENOUTPUT	335	NOEVENT
258	READY	340	WAIT
259	NOTREADY	341	NOWAIT
260	CURRENT	342	FORCE
261	CLOSELEAVE	350	IMMCLOSE
262	AUTOARCH	351	FORCECLOSE
263	NOAUTOARCH	352	IMMCLOSING
264	REVERTED	353	FORCECLOSING
265	ADVANCE	354	FWDRECOVABLE
266	COLDSTART	355	UNDETERMINED
267	WARMSTART	356	NORMALBKOUT
268	EMERGENCY	357	FAILEDDBKOUT
269	LOGTERM	358	FAILINGBKOUT
270	FINPUT	359	INVALID
271	FOUTPUT	360	VALID
272	FOPEN	361	NOTFWDRCVBLE
273	FCLOSE	362	EXITTRACE
274	OK	363	NOEXITTRACE
275	NOWRITE	364	ZCPTRACE
275	READONLY	365	NOZCPTRACE
276	REMOVE	366	TCEXITALL
277	RECOVERED	367	TCEXITSYSTEM
285	NOSWITCH	368	TCEXITNONE
286	SWITCHNEXT	369	TCEXITALLOFF
287	SWITCHALL	370	CEDF
288	SHUTDOWN	370	MODEL
289	NOSHUTDOWN	371	NOCEDF
290	RESET	371	SURROGATE
291	ADD	372	SESSION
292	DELETE	373	APPC SINGLE
310	INTSTART	374	APPC PARALLEL
311	INTSTOP	375	COBOLII
312	AUXSTART	376	NOTINIT
313	AUXPAUSE	377	LE370
314	AUXSTOP	378	INACTIVE
317	GTFSTART	379	CICS DATAKEY
318	GTFSTOP	380	USER DATAKEY
319	SYSTEMON	381	CICS EXECKEY
320	SYSTEMOFF	382	USER EXECKEY

Value	CVDA	Value	CVDA
383	DPLSUBSET	433	COLDQUERY
384	FULLAPI	434	SOSI
385	FMHPARM	435	NOSOSI
386	NOFMHPARM	436	TEXTKYBD
387	OBOPERID	437	NOTEXTKYBD
388	NOOBOPERID	438	TEXTPRINT
391	APLKYBD	439	NOTEXTPRINT
392	NOAPLKYBD	440	VALIDATION
393	APLTEXT	441	NOVALIDATION
394	NOAPLTEXT	442	RELREQ
395	AUDALARM	443	NORELREQ
396	NOAUDALARM	444	DISCREQ
397	BACKTRANS	445	NODISCREQ
398	NOBACKTRANS	446	ALTPRTCOPY
399	COLOR	447	NOALTPRTCOPY
400	NOCOLOR	448	PRTCOPY
401	COPY	449	NOPRTCOPY
402	NOCOPY	450	UCTRAN
403	DUALCASE	451	NOUCTRAN
404	NODUALCASE	452	TRANIDONLY
405	EXTENDEDDES	485	NEWSESSION
406	NOEXTENDEDDES	486	OLDSESSION
407	FORMFEED	487	NOSTSN
408	NOFORMFEED	488	STSNSET
409	HFORM	489	STSNTEST
410	NOHFORM	490	EB
411	VFORM	491	CD
412	NOVFORM	492	MORE
413	HILIGHT	493	LIC
414	NOHILIGHT	494	RU
415	KATAKANA	495	NOTCDEB
416	NOKATAKANA	496	NONE
417	LIGHTPEN	497	DEFRESP1
418	NOLIGHTPEN	498	DEFRESP2
419	MSRCONTROL	499	DEFRESP3
420	NOMSRCONTROL	500	NOALARM
421	OBFORMAT	501	ALARM
422	NOOBFORMAT	502	FMH
423	OUTLINE	503	NOFMH
424	NOOUTLINE	504	PROTECTED
425	PARTITIONS	505	UNPROTECTED
426	NOPARTITIONS	506	MDT
427	PRINTADAPT	507	NOMDT
428	NOPRINTADAPT	508	DATA
429	PROGSYMBOL	509	STSN
430	NOPROGSYMBOL	510	BEGINSESSION
431	ALLQUERY	511	TIMEOUT
432	NOQUERY	512	INSTALLFAIL

Value	CVDA	Value	CVDA
513	DISCARDFAIL	562	PENDRELEASE
514	SETFAIL	563	RELEASE
515	ACQFAIL	564	PENDUNSOL
516	SESSIONLOST	565	PENDPASS
517	SESSIONFAIL	600	CONVERSE
518	CONVIDLE	601	NOCONVERSE
519	ADDFAIL	602	SYNCPOINT
520	DELETEFAIL	603	NOSYNCPOINT
521	UNSOLDATA	604	GMT
522	NORMALRESP	605	LOCAL
523	EXCEPTRESP	606	FORMATEDF
524	ATTENTION	607	NOFORMATEDF
525	LUSTAT	608	NOTASKSTART
526	CANCEL	609	STARTED
527	RTR	610	STOPPED
528	DEFRESP1OR2	611	TASKSTART
529	POSITIVE	612	BUSY
530	NEGATIVE	613	NOTBUSY
531	NOMSGJRNL	614	SCS
532	INOUT	615	DS3270
533	T3278M2	616	ASCII7
534	T3278M3	617	ASCII8
535	T3278M4	618	AUTOSTART
536	T3278M5	620	INDOUBT
537	T3279M2	621	INFLIGHT
538	T3279M3	622	WAITFORGET
539	T3279M4	623	CONTROLSHUT
540	T3279M5	624	CANCELLED
541	LUP	625	FIRSTINIT
542	FORMATTED	626	SECONDINIT
543	DATASTREAM	627	THIRDINIT
544	LOSE	628	INITCOMPLETE
545	WIN	629	STANDBY
546	NOTINBOUND	630	AUTOACTIVE
547	INBOUND	631	AUTOINACTIVE
549	RELEASING	632	CTLGALL
550	INSTALLED	633	CTLGMODIFY
551	NOTINSTALLED	634	CTLGNONE
552	TPS55M2	635	START
553	TPS55M3	636	POST
554	TPS55M4	637	DELAY
555	TPS55M5	638	ROUTE
556	NOCONV	640	CLEAR
557	PENDSTSN	641	NOCLEAR
558	PENDBEGIN	642	USER
559	APPLICATION	643	SYSTEM
560	PENDDATA	644	SHUTENABLED
561	PENDSTART	645	SHUTDISABLED

Value	CVDA	Value	CVDA
650	EXCI	713	REMLOSTLOCKS
651	GENERIC	714	RESETLOCKS
652	SPECIFIC	715	RETAINED
653	SYSCONNECT	716	RETRY
654	NOSYSCONNECT	720	RLS
655	FORCECANCEL	721	NOTRLS
657	NOISOLATE	722	UNCOMMITTED
658	ISOLATE	723	CONSISTENT
659	NOTDEFINED	724	REPEATABLE
660	CICS	730	RLSACTIVE
661	NONCICS	731	RLSINACTIVE
663	SUBSPACE	732	VRRDS
664	BASESPACE	740	REMSESSION
665	XCF	751	EXECENQ
666	REQUIRED	752	EXECENQADDR
667	NOTREQUIRED	753	OWNER
668	SOS	754	WAITER
669	NOTSOS	755	CONNECTION
670	REGISTERED	756	DATASET
671	UNREGISTERED	757	HEURCOMMIT
672	UNAVAILABLE	758	HEURBACKOUT
673	CMDPROT	761	RLSSERVER
674	NOCMDPROT	762	SHUNTED
675	RELATED	763	WAITCOMMIT
677	REGERROR	765	WAITING
678	DEREGISTERED	766	WAITRMI
679	DEREGERROR	767	TDQ
680	REENTPROT	768	TSQ
681	NOREENTPROT	770	COORDINATOR
682	SOSBELOW	771	RMI
683	SOSABOVE	772	STARTING
684	DAE	773	SUBORDINATE
685	NODAE	774	NRS
690	CONNECTED	780	MVS
691	NOTCONNECTED	781	DUMMY
693	SPI	782	FAILED
694	NOSPI	783	FLUSH
700	NORECOVDATA	784	NOSYSLOG
701	RECOVDATA	785	SYSLOG
702	RESYNC	788	COLD
703	UNCONNECTED	789	INITIAL
706	IMMQUIESCED	790	ENDAFFINITY
707	QUIESCED	791	CACHE
708	QUIESCING	792	COMMITFAIL
709	UNQUIESCED	793	DATASETFULL
710	NOLOSTLOCKS	794	DEADLOCK
711	NORETAINED	795	DELEXITERROR
712	RECOVERLOCKS	796	INDEXRECFULL

Value	CVDA	Value	CVDA
797	IOERROR	928	TXID
798	OPENERORR	929	TX
799	RLSGONE	930	USERID
800	BACKUPNONBWO	931	N906
810	SKIP	932	TPOOL
811	REWIND	933	OPID
811	LEAVE	1000	NOTFIRED
812	REREAD	1001	FIRED
813	MOD	1002	ACTIVITY
814	QUEUE	1003	COMPOSITE
815	REJECT	1004	TIMER
816	IGNORERR	1005	AND
820	UNATTEMPTED	1006	OR
830	RRCOMMITFAIL	1010	PROCESS
831	RRINDOUBT	1011	NOUSER
832	LCKSTRUCFULL	1012	EVENTFAIL
833	CFTABLE	1013	FORCED
834	LOAD	1014	INCOMPLETE
835	NLOAD	1015	UNEXPECTED
836	CONTENTION	1016	NORMAL
837	LOCKING	1017	EXPIRED
900	ABEND	1018	UNEXPIRED
902	CGROUP	1021	NOTDYNAMIC
903	CONNECT	1022	NOTROUTABLE
904	CONNECTING	1023	ROUTABLE
905	CSIGN	1024	DORMANT
906	CTERM	1025	CANCELLING
907	CTX	1026	COMPLETE
908	COPID	1027	NOTSUSPENDED
909	CUSERID	1030	SSL
910	DISCONNING	1031	NOSSL
911	EQUAL	1032	CLIENTAUTH
912	EXIT	1033	HTTPYES
913	GROUP	1034	HTTPNO
914	HIGH	1036	APPEND
915	LOW	1037	NOAPPEND
916	NOCONNECT	1038	BINARY
917	NOEXIT	1039	EBCDIC
918	NORELEASE	1050	QUASIRENT
919	NOROLLBACK	1051	THREADSAFE
920	NOTWAIT	1052	BASEAPI
921	N906D	1053	OPENAPI
922	POOL	1054	NOFORCE
923	REBUILD	1055	CKOPEN
924	RECONNECT	1056	UKOPEN
925	SIGN	1057	QR
926	SQLCODE	1058	INTERNAL
927	TWAIT	1071	NOAUTO

Value	CVDA
1072	PROGAUTO
1073	FULLAUTO
1080	JVM
1081	NOJVM
1082	DEBUG
1083	NODEBUG
1084	NONLE370

CVDA values for the DEVICE option

CVDA sequence		CVDA sequence	
BATCHLU	191	T3277L	153
BIPROG	160	T3277R	145
BISYNCH	128	T3284L	155
CDRDLPR	24	T3284R	147
CONTNLU	189	T3286L	156
HARDCOPY	32	T3286R	148
INTACTLU	190	T3600BI	138
ISCMCONV	209	T3601	177
LUCMODGRP	210	T3614	178
LUCSESS	211	T3650ATT	186
LUTYPE4	193	T3650PIPE	184
LUTYPE6	192	T3650USER	187
MAGTAPE	20	T3653HOST	185
RESSYS	208	T3735	136
SDLC	176	T3740	137
SEQDISK	18	T3780	133
SYSTEM3	161	T3790	180
SYSTEM7	2	T3790SCSP	182
SYS370	164	T3790UP	181
SYS7BSCA	166	T7770	1
TCONSOLE	8	VIDEOTERM	64
TELETYPE	34		
TTCAM	80		
TWX3335	33		
T1050	36		
T1053	74		
T2260L	65		
T2260R	72		
T2265	76		
T2740	40		
T2741BCD	43		
T2741COR	42		
T2770	130		
T2780	132		
T2980	134		
T3275R	146		

Numeric sequence

1	T7770
2	SYSTEM7
8	TCONSOLE
18	SEQDISK
20	MAGTAPE
24	CDRDLPRT
32	HARDCOPY
33	TWX3335
34	TELETYPE
36	T1050
40	T2740
42	T2741COR
43	T2741BCD
64	VIDEOTERM
65	T2260L
72	T2260R
74	T1053
76	T2265
80	TTCAM
128	BISYNCH
130	T2770
132	T2780
133	T3780
134	T2980
136	T3735
137	T3740
138	T3600BI
145	T3277R
146	T3275R
147	T3284R
148	T3286R
153	T3277L
155	T3284L
156	T3286L
160	BIPROG
161	SYSTEM3
164	SYS370
166	SYS7BSCA
176	SDLC
177	T3601
178	T3614
180	T3790
181	T3790UP
182	T3790SCSP
184	T3650PIPE
185	T3653HOST
186	T3650ATT
187	T3650USER

Numeric sequence

189	CONTNLU
190	INTACTLU
191	BATCHLU
192	LUTYPE6
193	LUTYPE4
208	RESSYS
209	ISCMCONV
210	LUCMODGRP
211	LUCSESS

EIB • EIB field names

Chapter 8. EXEC interface block (EIB)

This chapter contains General-use Programming Interface information.

EIB field names and descriptions

EIB field	COBOL	C/370	PL/I	ASM
EIBAID	PIC X(1)	char eibaid[1]	CHAR(1)	CL1
EIBATT	PIC X(1)	char eibatt[1]	CHAR(1)	CL1
EIBCALEN	PIC S9(4) COMP	short int eibcalen	FIXED BIN(15)	H
EIBCOMPL	PIC X(1)	char eibcompl[1]	CHAR(1)	CL1
EIBCONF	PIC X(1)	char eibconf[1]	CHAR(1)	CL1
EIBCPOSN	PIC S9(4) COMP	short int eibcposn	FIXED BIN(15)	H
EIBDATE	PIC S9(7) COMP-3	char eibdate[4]	FIXED DEC(7,0)	PL4
EIBDS	PIC X(8)	char eibds[8]	CHAR(8)	CL8
EIBEOC	PIC X(1)	char eibeoc[1]	CHAR(1)	CL1
EIBERR	PIC X(1)	char eiberr[1]	CHAR(1)	CL1
EIBERRCD	PIC X(4)	char eiberrcd[4]	CHAR(4)	CL4
EIBFMH	PIC X(1)	char eibfmh[1]	CHAR(1)	CL1
EIBFN	PIC X(2)	char eibfn[2]	CHAR(2)	CL2
EIBFREE	PIC X(1)	char eibfree[1]	CHAR(1)	CL1
EIBNODAT	PIC X(1)	char eibnodat[1]	CHAR(1)	CL1
EIBRCODE	PIC X(6)	char eibrcode[6]	CHAR(6)	CL6
EIBRECV	PIC X(1)	char eibrecv[1]	CHAR(1)	CL1
EIBREQID	PIC X(8)	char eibreqid[8]	CHAR(8)	CL8
EIBRESP	PIC S9(8) COMP	long int eibresp	FIXED BIN(31)	F
EIBRESP2	PIC S9(8) COMP	long int eibresp2	FIXED BIN(31)	F
EIBRLDBK	PIC X(1)	char eibrldb[1]	CHAR(1)	CL1
EIBRSRCE	PIC X(8)	char eibrsrce[8]	CHAR(8)	CL8
EIBSIG	PIC X(1)	char eibsig[1]	CHAR(1)	CL1
EIBSYNC	PIC X(1)	char eibsync[1]	CHAR(1)	CL1
EIBSYNRB	PIC X(1)	char eibsynrb[1]	CHAR(1)	CL1
EIBTASKN	PIC S9(7) COMP-3	char eibtaskn[4]	FIXED DEC(7,0)	PL4
EIBTIME	PIC S9(7) COMP-3	char eibtime[4]	FIXED DEC(7,0)	PL4
EIBTRMID	PIC X(4)	char eibtrmid[4]	CHAR(4)	CL4
EIBTRNID	PIC X(4)	char eibtrnid[4]	CHAR(4)	CL4

EIBFN codes

EIBFN codes

Note: In the column Type , API indicates that the command is described in the <i>CICS Application Programming Reference</i> , and SPI indicates that it is described in the <i>CICS System Programming Reference</i> manual. SPI does not indicate that the special (SP) translator option is required for this command. FEPI indicates commands used by the CICS/ESA Front End Programming Interface. They are described in the <i>CICS Front End Programming Interface User's Guide</i> .			EIBFN value	Command	Type
			X'0422'	FREE	API
			X'0424'	POINT	API
			X'0426'	BUILD ATTACH	API
			X'0428'	EXTRACT ATTACH	API
			X'042A'	EXTRACT TCT	API
			X'042C'	WAIT CONVID	API
			X'042E'	EXTRACT PROCESS	API
			X'0430'	ISSUE ABEND	API
			X'0432'	CONNECT PROCESS	API
			X'0434'	ISSUE CONFIRMATION	API
			X'0436'	ISSUE ERROR	API
			X'0438'	ISSUE PREPARE	API
			X'043A'	ISSUE PASS	API
			X'043C'	EXTRACT LOGONMSG	API
			X'043E'	EXTRACT ATTRIBUTES	API
			X'0602'	READ	API
			X'0604'	WRITE FILE	API
			X'0606'	REWRITE	API
			X'0608'	DELETE	API
			X'060A'	UNLOCK	API
			X'060C'	STARTBR	API
			X'060E'	READNEXT	API
			X'0610'	READPREV	API
			X'0612'	ENDBR	API
			X'0614'	RESETBR	API
			X'0802'	WRITEQ TD	API
			X'0804'	READQ TD	API
			X'0806'	DELETEQ TD	API
			X'0A02'	WRITEQ TS	API
			X'0A04'	READQ TS	API
			X'0A06'	DELETEQ TS	API
			X'0C02'	GETMAIN	API
			X'0C04'	FREEMAIN	API
			X'0E02'	LINK	API
			X'0E04'	XCTL	API
			X'0E06'	LOAD	API
			X'0E08'	RETURN	API
			X'0E0A'	RELEASE	API
			X'0E0C'	ABEND	API
			X'0E0E'	HANDLE ABEND	API
			X'1002'	ASKTIME	API
			X'1004'	DELAY	API
EIBFN value	Command	Type			
X'0202'	ADDRESS	API			
X'0204'	HANDLE CONDITION	API			
X'0206'	HANDLE AID	API			
X'0208'	ASSIGN	API			
X'020A'	IGNORE CONDITION	API			
X'020C'	PUSH	API			
X'020E'	POP	API			
X'0210'	ADDRESS SET	API			
X'0402'	RECEIVE	API			
X'0404'	SEND	API			
X'0406'	CONVERSE	API			
X'0408'	ISSUE EODS	API			
X'040A'	ISSUE COPY	API			
X'040C'	WAIT TERMINAL	API			
X'040E'	ISSUE LOAD	API			
X'0410'	WAIT SIGNAL	API			
X'0412'	ISSUE RESET	API			
X'0414'	ISSUE DISCONNECT	API			
X'0416'	ISSUE ENDOUTPUT	API			
X'0418'	ISSUE ERASEAUP	API			
X'041A'	ISSUE ENDFILE	API			
X'041C'	ISSUE PRINT	API			
X'041E'	ISSUE SIGNAL	API			
X'0420'	ALLOCATE	API			

EIBFN codes

EIBFN value	Command	Type	EIBFN value	Command	Type
X'1006'	POST	API	X'240E'	ISSUE	API
X'1008'	START	API		CONFIRMATION	
X'100A'	RETRIEVE	API	X'2410'	ISSUE ERROR	API
X'100C'	CANCEL	API	X'2412'	ISSUE SIGNAL	API
X'1202'	WAIT EVENT	API	X'2414'	RECEIVE	API
X'1204'	ENQ	API	X'2416'	SEND	API
X'1206'	DEQ	API	X'2418'	WAIT	API
X'1208'	SUSPEND	API	X'241A'	ISSUE PREPARE	API
X'1402'	WRITE	API	X'241C'	EXTRACT	API
	JOURNALNUM			ATTRIBUTES	
X'1404'	WAIT JOURNALNUM	API	X'3002'	CREATE PROGRAM	SPI
X'1406'	WRITE	API	X'3004'	CREATE MAPSET	SPI
	JOURNALNAME		X'3006'	CREATE	SPI
X'1408'	WAIT JOURNALNAME	API		PARTITIONSET	
X'1602'	SYNCPOINT	API	X'3008'	CREATE	SPI
X'1604'	RESYNC	SPI		TRANSACTION	
	ENTRYNAME		X'300A'	CREATE PROFILE	SPI
X'1802'	RECEIVE MAP	API	X'300C'	CREATE TYPETERM	SPI
X'1804'	SEND MAP	API	X'300E'	CREATE	SPI
X'1806'	SEND TEXT	API		CONNECTION	
X'1808'	SEND PAGE	API	X'3010'	CREATE TERMINAL	SPI
X'180A'	PURGE MESSAGE	API	X'3012'	CREATE SESSIONS	SPI
X'180C'	ROUTE	API	X'3014'	CREATE FILE	SPI
X'180E'	RECEIVE PARTN	API	X'3016'	CREATE LSRPOOL	SPI
X'1810'	SEND PARTNSET	API	X'3018'	CREATE PARTNER	SPI
X'1812'	SEND CONTROL	API	X'301A'	CREATE TRANCLASS	SPI
X'1C02'	DUMP	API	X'301C'	CREATE TDQUEUE	SPI
X'1E02'	ISSUE ADD	API	X'301E'	CREATE	SPI
X'1E04'	ISSUE ERASE	API		JOURNALMODEL	
X'1E06'	ISSUE REPLACE	API	X'3020'	CREATE DB2CONN	SPI
X'1E08'	ISSUE ABORT	API	X'3022'	CREATE DB2ENTRY	SPI
X'1E0A'	ISSUE QUERY	API	X'3024'	CREATE DB2TRAN	SPI
X'1E0C'	ISSUE END	API	X'3026'	CREATE	SPI
X'1E0E'	ISSUE RECEIVE	API		PROCESSTYPE	
X'1E10'	ISSUE NOTE	API	X'3028'	CREATE TSMODEL	SPI
X'1E12'	ISSUE WAIT	API	X'302A'	CREATE ENQMODEL	SPI
X'1E14'	ISSUE SEND	API	X'302C'	CREATE	SPI
X'2002'	BIF DEEDIT	API		REQUESTMODEL	
X'2202'	ENABLE PROGRAM	SPI	X'302E'	CREATE	SPI
X'2204'	DISABLE	API		DOCTEMPLATE	
X'2206'	EXTRACT EXIT	SPI	X'3030'	CREATE	SPI
X'2402'	ALLOCATE	API		TCPIPSERVICE	
X'2404'	ASSIGN	API	X'3A02'	INQ RRMS	SPI
X'2406'	EXTRACT PROCESS	API	X'4202'	INQUIRE	SPI
X'2408'	FREE	API		AUTINSTMODEL	
X'240A'	ISSUE ABEND	API	X'4210'	DISCARD	SPI
X'240C'	CONNECT PROCESS	API		AUTINSTMODEL	

EIBFN codes

EIBFN value	Command	Type	EIBFN value	Command	Type
X'4402'	INQUIRE PARTNER	SPI	X'5C10'	DISCARD TDQUEUE	SPI
X'4410'	DISCARD PARTNER	SPI	X'5E02'	INQUIRE TASK	SPI
X'4602'	INQUIRE PROFILE	SPI	X'5E04'	SET TASK	SPI
X'4610'	DISCARD PROFILE	SPI	X'5E06'	CHANGE TASK	API
X'4802'	ENTER TRACENUM	API	X'5E08'	INQUIRE STORAGE	SPI
X'4804'	MONITOR	API	X'5E12'	INQUIRE TCLASS	SPI
X'4A02'	ASKTIME ABSTIME	API	X'5E14'	SET TCLASS	SPI
X'4A04'	FORMATTIME	API	X'5E18'	DISCARD	SPI
X'4C02'	INQUIRE FILE	SPI		TRANCLASS	
X'4C04'	SET FILE	SPI	X'5E1A'	INQUIRE	SPI
X'4C10'	DISCARD FILE	SPI		TRANCLASS	
X'4E02'	INQUIRE PROGRAM	SPI	X'5E1C'	SET TRANCLASS	SPI
X'4E04'	SET PROGRAM	SPI	X'5E22'	WAIT EXTERNAL	API
X'4E10'	DISCARD PROGRAM	SPI	X'5E32'	WAITCICS	API
X'5002'	INQUIRE TRANSACTION	SPI	X'6002'	INQUIRE JOURNALNUM	SPI
X'5004'	SET TRANSACTION	SPI	X'6004'	SET JOURNALNUM	SPI
X'5010'	DISCARD TRANSACTION	SPI	X'6010'	DISCARD JOURNALNAME	SPI
X'5202'	INQUIRE TERMINAL	SPI	X'6012'	INQUIRE JOURNALNAME	SPI
X'5204'	SET TERMINAL	SPI		JOURNALNAME	
X'5206'	INQUIRE NETNAME	SPI	X'6014'	SET JOURNALNAME	SPI
X'5208'	SET NETNAME	SPI	X'6202'	INQUIRE VOLUME	SPI
X'5210'	DISCARD TERMINAL	SPI	X'6204'	SET VOLUME	SPI
X'5212'	INQUIRE TERMINAL	SPI	X'6402'	PERFORM SECURITY	SPI
X'5214'	SET TERMINAL	SPI	X'6602'	INQUIRE DUMPDS	SPI
X'5216'	INQUIRE NETNAME	SPI	X'6604'	SET DUMPDS	SPI
X'5402'	INQUIRE SYSTEM	SPI	X'6612'	INQUIRE TRANDUMPCODE	SPI
X'5404'	SET SYSTEM	SPI		TRANDUMPCODE	
X'5412'	INQ SYSTEM	SPI	X'6614'	SET	SPI
X'5602'	SPOOLOPEN INPUT	API		TRANDUMPCODE	
X'5602'	SPOOLOPEN OUTPUT	API	X'6622'	INQUIRE SYSDUMPCODE	SPI
X'5604'	SPOOLREAD	API	X'6624'	SET SYSDUMPCODE	SPI
X'5606'	SPOOLWRITE	API	X'6802'	INQUIRE VTAM	SPI
X'5610'	SPOOLCLOSE	API	X'6804'	SET VTAM	SPI
X'5802'	INQUIRE CONNECTION	SPI	X'6812'	INQUIRE AUTOINSTALL	SPI
X'5804'	SET CONNECTION	SPI	X'6814'	SET AUTOINSTALL	SPI
X'5806'	PERFORM ENDAFFINITY	SPI	X'6822'	INQUIRE DELETSHIPED	SPI
X'5810'	DISCARD CONNECTION	SPI	X'6824'	SET DELETSHIPED	SPI
X'5A02'	INQUIRE MODENAME	SPI	X'6826'	PERFORM DELETSHIPED	SPI
X'5A04'	SET MODENAME	SPI	X'6A02'	QUERY SECURITY	API
X'5C02'	INQUIRE TDQUEUE	SPI	X'6C02'	WRITE OPERATOR	API
X'5C04'	SET TDQUEUE	SPI	X'6C12'	CICSMESSAGE	API

EIBFN codes

EIBFN value	Command	Type	EIBFN value	Command	Type
X'6E02'	INQUIRE IRC	SPI	X'8214'	CONVERSE	FEPI
X'6E04'	SET IRC	SPI		DATASTREAM	
X'7002'	INQUIRE STATISTICS	SPI	X'8216'	EXTRACT CONV	FEPI
X'7004'	SET STATISTICS	SPI	X'8218'	EXTRACT FIELD	FEPI
X'7006'	PERFORM	SPI	X'821A'	EXTRACT STSN	FEPI
	STATISTICS		X'821C'	FREE	FEPI
X'7008'	COLLECT	SPI	X'821E'	ISSUE	FEPI
	STATISTICS		X'8220'	RECEIVE	FEPI
X'7012'	INQUIRE MONITOR	SPI		FORMATTED	
X'7014'	SET MONITOR	SPI	X'8222'	RECEIVE	FEPI
X'7202'	PERFORM	SPI		DATASTREAM	
	RESETTIME		X'8224'	SEND FORMATTED	FEPI
X'7402'	SIGNON	API	X'8226'	SEND DATASTREAM	FEPI
X'7404'	SIGNOFF	API	X'8228'	START	FEPI
X'7406'	VERIFY PASSWORD	API	X'840E'	SP	FEPI
X'7408'	CHANGE	API	X'8422'	INQUIRE	FEPI
	PASSWORD			PROPERTYSET	
X'7602'	PERFORM	SPI	X'8428'	INSTALL	FEPI
	SHUTDOWN			PROPERTYSET	
X'7802'	INQUIRE	SPI	X'8430'	DISCARD	FEPI
	TRACEDEST			PROPERTYSET	
X'7804'	SET TRACEDEST	SPI	X'8442'	INQUIRE NODE	FEPI
X'7812'	INQUIRE	SPI	X'8444'	SET NODE	FEPI
	TRACEFLAG		X'8444'	SET NODELIST	FEPI
X'7814'	SET TRACEFLAG	SPI	X'8448'	INSTALL NODELIST	FEPI
X'7822'	INQUIRE	SPI	X'844A'	ADD POOL	FEPI
	TRACETYPE		X'844C'	DELETE POOL	FEPI
X'7824'	SET TRACETYPE	SPI	X'8450'	DISCARD NODELIST	FEPI
X'7A02'	INQUIRE DSNAME	SPI	X'8462'	INQUIRE POOL	FEPI
X'7A04'	SET DSNAME	SPI	X'8464'	SET POOL	FEPI
X'7C02'	INQ EXCI	SPI	X'8464'	SET POOLLIST	FEPI
X'7E02'	DUMP	API	X'8468'	INSTALL POOL	FEPI
	TRANSACTION		X'8470'	DISCARD POOL	FEPI
X'7E04'	PERFORM DUMP	SPI	X'8482'	INQUIRE TARGET	FEPI
X'8002'	INQUIRE TSQUEUE	SPI	X'8484'	SET TARGETLIST	FEPI
X'8004'	SET TSQUEUE	SPI	X'8484'	SET TARGET	FEPI
X'8012'	INQUIRE TSQNAME	SPI	X'8488'	INSTALL	FEPI
X'8014'	SET TSQNAME	SPI		TARGETLIST	
X'801A'	INQUIRE TSPool	SPI	X'8490'	DISCARD	FEPI
X'8022'	INQUIRE TSMODEL	SPI		TARGETLIST	
X'8030'	DISCARD TSMODEL	SPI	X'84A2'	INQUIRE	FEPI
X'820E'	AP	FEPI		CONNECTION	
X'8210'	ALLOCATE POOL	FEPI	X'84A4'	SET CONNECTION	FEPI
X'8210'	ALLOCATE	FEPI	X'8602'	ACQUIRE	SPI
	PASSCONVID		X'8802'	INQUIRE	SPI
X'8212'	CONVERSE	FEPI		EXITPROGRAM	
	FORMATTED		X'8A02'	INQUIRE REQID	SPI

EIBFN codes

EIBFN value	Command	Type	EIBFN value	Command	Type
X'8C02'	WRITE MESSAGE	API	X'962C'	STARTBROWSE	SPI
X'9002'	INQUIRE UOW	SPI		EVENT	
X'9004'	SET UOW	SPI	X'962E'	GETNEXT EVENT	SPI
X'9022'	INQUIRE UOWENQ	SPI	X'9630'	ENDBROWSE EVENT	SPI
X'9042'	INQUIRE UOWLINK	SPI	X'9632'	STARTBROWSE	SPI
X'9044'	SET UOWLINK	SPI		PROCESS	
X'9062'	INQUIRE	SPI	X'9634'	GETNEXT PROCESS	SPI
	UOWDSNFAIL		X'9636'	ENDBROWSE	SPI
X'9082'	INQUIRE ENQMODEL	SPI		PROCESS	
X'9084'	SET ENQMODEL	SPI	X'9638'	INQUIRE TIMER	SPI
X'9090'	DISCARD	SPI	X'963A'	STARTBROWSE	SPI
	ENQMODEL			TIMER	
X'9202'	INQUIRE	SPI	X'963C'	GETNEXT TIMER	SPI
	JOURNALMODEL		X'963E'	ENDBROWSE TIMER	SPI
X'9210'	DISCARD	SPI	X'9802'	INQUIRE CFDTPOOL	SPI
	JOURNALMODEL		X'9A02'	INQUIRE	SPI
X'9212'	INQUIRE	SPI		REQUESTMODEL	
	STREAMNAME		X'9A10'	DISCARD	SPI
X'9402'	INQUIRE DB2CONN	SPI		REQUESTMODEL	
X'9404'	SET DB2CONN	SPI	X'9C02'	INQUIRE	SPI
X'9410'	DISCARD DB2CONN	SPI		TCPIPSERVICE	
X'9422'	INQUIRE DB2ENTRY	SPI	X'9C04'	SET TCPIPSERVICE	SPI
X'9424'	SET DB2ENTRY	SPI	X'9C10'	DISCARD	SPI
X'9430'	DISCARD DB2ENTRY	SPI		TCPIPSERVICE	
X'9442'	INQUIRE DB2TRAN	SPI	X'9C12'	INQUIRE TCPIP	SPI
X'9444'	SET DB2TRAN	SPI	X'9C14'	SET TCPIP	SPI
X'9450'	DISCARD DB2TRAN	SPI	X'9C22'	INQUIRE WEB	SPI
X'9602'	INQUIRE	SPI	X'9C24'	SET WEB	SPI
	PROCESSTYPE		X'9E02'	INQUIRE	SPI
X'9604'	SET PROCESSTYPE	SPI		DOCTEMPLATE	
X'9610'	DISCARD	SPI	X'9E10'	DISCARD	SPI
	PROCESSTYPE			DOCTEMPLATE	
X'9612'	INQUIRE ACTID	SPI			
X'9614'	INQUIRE CONTAIN	SPI			
X'9616'	INQUIRE EVENT	SPI			
X'9618'	INQUIRE PROCESS	SPI			
X'9620'	STARTBROWSE	SPI			
	ACTIVITY				
X'9622'	GETNEXT ACTIVITY	SPI			
X'9624'	ENDBROWSE	SPI			
	ACTIVITY				
X'9626'	STARTBROWSE	SPI			
	CONTAINER				
X'9628'	GETNEXT	SPI			
	CONTAINER				
X'962A'	ENDBROWSE	SPI			
	CONTAINER				

EIBRCODE values

EIBRCODE values

See the notes at the end of the list of values for explanations of the numbers following some of the conditions.

EIBFN	EIBRCODE	Condition	EIBFN	EIBRCODE	Condition
			06 ..	85 ..	SUPPRESSED
			06 ..	86 ..	LOADING
02 ..	E0 ..	INVREQ	06 ..	D0 ..	SYSIDERR ³
			06 ..	D1 ..	ISCINVREQ
04 ..	04 ..	EOF	06 ..	D6 ..	NOTAUTH
04 ..	10 ..	EODS	06 ..	E1 ..	LENGERR
04 ..	C1 ..	EOF			
04 ..	C2 ..	ENDINPT	08 ..	01 ..	QZERO
04 ..	D0 ..	SYSIDERR ³	08 ..	02 ..	QIDERR
04 ..	D2 ..	SESSIONERR ⁴	08 ..	04 ..	IOERR
04 ..	D3 ..	SYSBUSY ⁵	08 ..	08 ..	NOTOPEN
04 ..	D4 ..	SESSBUSY	08 ..	10 ..	NOSPACE
04 ..	D5 ..	NOTALLOC	08 ..	C0 ..	QBUSY
04 ..	E0 ..	INVREQ ⁶	08 ..	D0 ..	SYSIDERR ³
04 ..	E1 ..	LENGERR ⁷	08 ..	D1 ..	ISCINVREQ
04 ..	E3 ..	WRBRK	08 ..	D6 ..	NOTAUTH
04 ..	E4 ..	RDATT	08 ..	D7 ..	DISABLED
04 ..	E5 ..	SIGNAL	08 ..	E0 ..	INVREQ
04 ..	E6 ..	TERMIDERR	08 ..	E1 ..	LENGERR
04 ..	E7 ..	NOPASSBKRD			
04 ..	E8 ..	NOPASSBKWR	0A ..	01 ..	ITEMERR
04 ..	EA ..	IGREQCD	0A ..	02 ..	QIDERR
04 ..	EB ..	CBIDERR	0A ..	04 ..	IOERR
04 ..	EC ..	PARTNERIDERR	0A ..	08 ..	NOSPACE
04 ..	ED ..	NETNAMEIDERR	0A ..	20 ..	INVREQ
04 ..	F1 ..	TERMERR	0A ..	D0 ..	SYSIDERR ³
04 20 ..	EOC	0A ..	D1 ..	ISCINVREQ
04 40 ..	INBFMH	0A ..	D6 ..	NOTAUTH
04 F6 ..	NOSTART	0A ..	E1 ..	LENGERR
04 F7 ..	NONVAL			
			0C ..	E1 ..	LENGERR
06 ..	01 ..	FILENOTFOUND	0C ..	E2 ..	NOSTG
06 ..	02 ..	ILLOGIC ¹			
06 ..	03 ..	LOCKED	0E ..	01 ..	PGMIDERR
06 ..	05 ..	RECORDBUSY	0E ..	D6 ..	NOTAUTH
06 ..	08 ..	INVREQ	0E ..	E0 ..	INVREQ
06 ..	0C ..	NOTOPEN	0E ..	E1 ..	LENGERR
06 ..	0D ..	DISABLED	0E ..	F1 ..	TERMERR
06 ..	0F ..	ENDFILE			
06 ..	80 ..	IOERR ¹			
06 ..	81 ..	NOTFND			
06 ..	82 ..	DUPREC			
06 ..	83 ..	NOSPACE			
06 ..	84 ..	DUPKEY			

EIBRCODE values

EIBFN	EIBRCODE	Condition	EIBFN	EIBRCODE	Condition
10 ..	01 ..	ENDDATA	18 10 ..	IGREQID
10 ..	04 ..	IOERR	1A ..	E0 ..	INVREQ
10 ..	11 ..	TRANSIDERR	1A ..	04 ..	DSSTAT
10 ..	12 ..	TERMIDERR	1A ..	08 ..	FUNCERR
10 ..	20 ..	EXPIRED	1A ..	0C ..	SELNERR
10 ..	81 ..	NOTFND	1A ..	10 ..	UNEXPIN
10 ..	D0 ..	SYSIDERR ³	1A ..	E1 ..	LENGERR
10 ..	D1 ..	ISCINVREQ	1A 11 ..	EODS
10 ..	D6 ..	NOTAUTH	1A 2B ..	IGREQCD
10 ..	D8 ..	USERIDERR	1A 20 ..	EOC
10 ..	E1 ..	LENGERR	22 ..	80 ..	INVEXITREQ
10 ..	E9 ..	ENVDEFERR	4A 01 ..	ERROR
10 ..	FF ..	INVREQ	56 0D ..	NOTFND
12 ..	32 ..	ENQBUSY	56 10 ..	INVREQ
12 ..	E0 ..	INVREQ	56 13 ..	NOTOPEN
12 ..	E1 ..	LENGERR	56 14 ..	ENDFILE
14 ..	01 ..	JIDERR	56 15 ..	ILLOGIC
14 ..	02 ..	INVREQ	56 16 ..	LENGERR
14 ..	05 ..	NOTOPEN	56 2A ..	NOSTG
14 ..	06 ..	LENGERR	56 46 ..	NOTAUTH
14 ..	07 ..	IOERR	56 50 ..	NOSPOOL
14 ..	09 ..	NOJBUFSP	56 55 ..	ALLOCERR
14 ..	D6 ..	NOTAUTH	56 56 ..	STRELERR
16 ..	01 ..	ROLLEDBACK	56 57 ..	OPENERR
18 ..	01 ..	INVREQ	56 58 ..	SPOLBUSY
18 ..	02 ..	RETPAGE	56 59 ..	SPOLERR
18 ..	04 ..	MAPFAIL	56 5A ..	NODEIDERR
18 ..	08 ..	INVMPZ ²	56 60 ..	OUTDESCRERR
18 ..	20 ..	INVERRTERM			
18 ..	40 ..	RTESOME			
18 ..	80 ..	RTEFAIL			
18 ..	E1 ..	LENGERR			
18 ..	E3 ..	WRBRK			
18 ..	E4 ..	RDATT			
18 02 ..	PARTNFAIL			
18 04 ..	INVPARTN			
18 08 ..	INVPARTNSET			
18 10 ..	INVLDC			
18 20 ..	UNEXPIN			
18 40 ..	IGREQCD			
18 80 ..	TSIOERR			
18 01 ..	OVERFLOW			
18 04 ..	EODS			
18 08 ..	EOC			

EIBRCODE values

Notes:

1. When ILLOGIC or IOERR occurs during file control operations, further information is provided in field EIBRCODE, as follows:

.. xx xx xx xx .. BDAM response
.. xx VSAM return code
.. .. xx VSAM error code
.. xx VSAM problem determination code
.. xx .. VSAM component code

VSAM Administration: Macro Instruction Reference manual for VSAM, and the *Data Facility Product Customization Guide* for BDAM.

2. When INVMP SZ occurs during BMS operations, byte 3 of field EIBRCODE contains the terminal code:

.. xx terminal code

3. When SYSIDERR occurs, further information is provided in bytes 1 and 2 of EIBRCODE, as follows:

.. 04 00 request was for invalid function
.. 04 04 no session available and NOQUEUE
.. 04 08 mode name not found
.. 04 0C mode name invalid
.. 04 10 task canceled or timed out during allocation
.. 04 14 mode group is out of service
.. 04 18 close - DRAIN=ALL (Note: APPC only)
.. 08 SYSID out of service – for function shipping requests, the exit program (XISCONA) may have refused to queue the request because the intersystem connection is busy
.. 0C xx SYSID definition error
.. 0C 00 name not that of TCTSE
.. 0C 04 name not that of remote TCTSE
.. 0C 08 mode name not found
.. 0C 0C profile not found

Further information about SYSIDERR can be found in the *CICS Intercommunication Guide*.

4. When SESSIONERR occurs, further information is provided in bytes 1 and 2 of EIBRCODE, as follows:

.. 08 session out of service
.. 0C xx session definition error
.. 0C 00 name not found
.. 0C 0C profile not found

EIBRCODE values

Further information about SESSIONERR can be found in the *CICS Intercommunication Guide*.

5. If SYSBUSY occurs on an ALLOCATE command that attempts to acquire a session to an APPC terminal or system, byte 3 of the EIBRCODE indicates where the error condition was detected:
 - 00 the request was for a session to a connected terminal or system
 - 01 the request was for a session to a remotely connected terminal or system, and the error occurred in the terminal-owning region (TOR) or an intermediate system
 - 02 the request was for a session to a remotely connected terminal or system, and the error occurred in the application-owning region (AOR)

Further information about SYSBUSY can be found in the *CICS Intercommunication Guide*.

6. When INVREQ occurs during terminal control operations, further information is provided in byte 3 of EIBRCODE as follows:
 - 04 ALLOCATE command - TCTTE already allocated
 - 08 FREE command - TCTTE in wrong state
 - 0C CONNECT PROCESS command - SYNCLVL 2 has been requested but cannot be supported on the session in use
 - 10 EXTRACT ATTACH command - invalid data
 - 14 SEND command - CONFIRM option has been specified but conversation is not SYNCLVL 1
 - 18 EXTRACT TCT command - invalid netname
 - 1C an invalid command has been issued for the terminal or logical unit in use
 - 20 an invalid command has been issued for the LU6.2 conversation type in use
 - 28 GETMAIN failure on ISSUE PASS command

EIBRCODE values

7. When LENGERR occurs during terminal control operations, further information is provided in byte 1 of EIBRCODE, as follows:
- .. 00 input data is overlong and has been truncated
 - .. 04 on output commands, an invalid (FROM)LENGTH has been specified, either less than zero or greater than 32767
 - .. 08 on input commands, an invalid (TO)LENGTH has been specified, greater than 32767
 - .. 0C length error has occurred on ISSUE PASS command

RESP values

RESP values and conditions

RESP value	Condition	RESP value	Condition
00	NORMAL	45	NOJBUFSP
01	ERROR	46	DSSTAT
02	RDATT	47	SELNERR
03	WRBRK	48	FUNCERR
04	EOF	49	UNEXPIN
05	EODS	50	NOPASSBKRD
06	EOC	51	NOPASSBKWR
07	INBFMH	52	-
08	ENDINPT	53	SYSIDERR
09	NONVAL	54	ISCINVREQ
10	NOSTART	55	ENQBUSY
11	TERMIDERR	56	ENVDEFERR
12	FILENOTFOUND	57	IGREQCD
13	NOTFND	58	SESSIONERR
14	DUPREC	59	SYSBUSY
15	DUPKEY	60	SESSBUSY
16	INVREQ	61	NOTALLOC
17	IOERR	62	CBIDERR
18	NOSPACE	63	INVEXITREQ
19	NOTOPEN	64	INVPARTNSET
20	ENDFILE	65	INVPARTN
21	ILLOGIC	66	PARTNFAIL
22	LENGERR	67	-
23	QZERO	68	-
24	SIGNAL	69	USERIDERR
25	QBUSY	70	NOTAUTH
26	ITEMERR	71	VOLIDERR
27	PGMIDERR	72	SUPPRESSED
28	TRANSIDERR	73	-
29	ENDDATA	74	-
30	INVTREQ	75	RESIDERR
31	EXPIRED	76	-
32	RETPAGE	77	-
33	RTEFAIL	78	-
34	RTESOME	79	-
35	TSIOERR	80	NOSPOOL
36	MAPFAIL	81	TERMERR
37	INVERRTERM	82	ROLLEDBACK
38	INVMPSZ	83	END
39	IGREQID	84	DISABLED
40	OVERFLOW	85	ALLOCERR
41	INVLDC	86	STRELERR
42	NOSTG	87	OPENERR
43	JIDERR	88	SPOLBUSY
44	QIDERR	89	SPOLERR

RESP values

RESP value	Condition
90	NODEIDERR
91	TASKIDERR
92	TCIDERR
93	DSNNOTFOUND
94	LOADING
95	MODELIDERR
96	OUTDESCRERR
97	PARTNERIDERR
98	PROFILEIDERR
99	NETNAMEIDERR
100	LOCKED
101	RECORDBUSY
102	UOWNOTFOUND
103	UOWLNOTFOUND
104	LINKABEND
105	CHANGED
106	PROCESSBUSY
107	ACTIVITYBUSY
108	PROCESSERR
109	ACTIVITYERR
110	CONTAINERERR
111	EVENTERR
112	TOKENERR
113	NOTFINISHED
114	POOLERR
115	TIMERERR
116	SYMBOLERR
117	TEMPLATERR
118	-

RESP values

RESP2 values

Chapter 9. RESP2 values and their meanings

Note: The RESP2 values returned by the CICS/ESA Front End Programming Interface are described in the *CICS Front End Programming Interface User's Guide*.

Command	Condition	RESP2	Meaning		
ACQUIRE TERMINAL	INVREQ	2	The terminal is a remote terminal		
		3	The terminal is LU6.1, APPC, IRC or a non-VTAM device		
		4	The terminal is not in service; that is, it is not available for use.		
		5	VTAM is not open		
		7	CICS is already in the process of acquiring this session.		
		8	NOQUEUE and QNOTENAB options are invalid for a logged-on device		
		6	Out-of-range value supplied in the USERDATALEN option		
		100	The user associated with the task is not authorized to use this command		
ADDRESS	INVREQ	200	The TCTUA option is specified on an ADDRESS command issued in a DPL server program		
				1	The terminal cannot be found
				1	The task does not have a signed-on user
ASSIGN	INVREQ	2	No BMS command has yet been issued, BMS routing is in effect, or no map has yet been positioned		
		3	No BDI command has yet been issued		

RESP2 values

Command	Condition	RESP2	Meaning	
		4	The task is not initiated by automatic transaction initiation (ATI)	
		5	The task is not associated with a terminal; or the task has no principal facility; or the principal facility is not an MRO, LU6.1, or APPC session	
		200	Command syntax options are not allowed in a server program invoked by a distributed program link	
CHANGE PASSWORD	INVREQ	13	There is an unknown return code in ESMRESP from the external security manager	
		18	The CICS external security manager interface is not initialized	
		29	The external security manager is not responding	
	NOTAUTH	2	The supplied password is wrong	
		4	The new password is not acceptable	
		19	The USERID is revoked	
		22	The change password request failed during SECLEVEL processing	
		31	The user is revoked in the connection to the default group	
		USERIDERR	8	The USERID is not known to the external security manager
CHANGE TASK	INVREQ	1	The PRIORITY value is outside the range 0–255	

RESP2 values

Command	Condition	RESP2	Meaning
COLLECT STATISTICS	NOTFND	1	The requested resource cannot be found (for example, if the JOURNALNAME specified is not known to CICS)
		2	The type of resource is not defined in the CICS system
	IOERR	3	The requested statistics area was not functioning
	INVREQ	4	The TCLASS value was not in the range 1–10, or the LSRPOOL value was not in the range 1–8
	NOTAUTH	100	The user associated with the issuing task is not authorized to use this command
101		The user associated with the task is not authorized to access this particular resource in the way required by this command	
CONNECT PROCESS	INVREQ	200	A distributed program link server application specified the function-shipping session (its principal facility) on the CONVID option
CONVERSE	INVREQ	200	A distributed program link server application specified the function-shipping session (its principal facility) on the CONVID option
CREATE CONNECTION	LENGERR	1	The length specified in ATTRLEN is negative
	ILLOGIC	2	The command cannot be executed because an earlier connection or terminal pool definition has not yet been completed
	NOTAUTH	100	The user associated with the issuing task is not authorized to use this command

RESP2 values

Command	Condition	RESP2	Meaning	
CREATE DB2CONN	INVREQ	102	The user of the transaction issuing the CREATE CONNECTION is not an authorized surrogate of the userid specified in SECURITYNAME	
		n	Syntax error in ATTRIBUTES string, or error occurred during either discard or resource definition phase of processing	
		200	The command was executed in a program that has been linked to from a remote system that has not specified the SYNCONRETURN option, or has been linked to locally and is defined with EXECUTIONSET=DPLSUBSET	
	LENGERR	1	The length specified in ATTRLEN is negative	
		ILLOGIC	2	Command cannot be executed because an earlier CONNECTION or TERMINAL pool definition not yet completed
	INVREQ		n	There is a syntax error in the ATTRIBUTES string, or an error occurred during either the discard or resource definition phase of processing
		200	200	The command was executed in a program defined with an EXECUTIONSET value of DPLSUBSET or a program invoked from a remote system by a distributed program link without the SYNCONRETURN option.

RESP2 values

Command	Condition	RESP2	Meaning
CREATE DB2ENTRY	NOTAUTH	100	The user associated with the issuing task is not authorized to use this command
		102	The user associated with the issuing task is not an authorized surrogate of the user specified in AUTHID, COMAUTHID, or SIGNID parameter
		103	The user associated with the issuing task is not authorized to create a DB2CONN with an AUTHTYPE or COMAUTHTYPE parameter
	LENGERR	1	The length specified in ATTRLEN is negative
	ILLOGIC	2	Command cannot be executed because an earlier CONNECTION or TERMINAL pool definition not yet completed
	INVREQ	n	There is a syntax error in the ATTRIBUTES string, or an error occurred during either the discard or resource definition phase of processing
		200	The command was executed in a program defined with an EXECUTIONSET value of DPLSUBSET or a program invoked from a remote system by a distributed program link without the SYNCONRETURN option.
	NOTAUTH	100	The user associated with the issuing task is not authorized to use this command

RESP2 values

Command	Condition	RESP2	Meaning
		101	The user associated with the issuing task is not authorized to create a DB2ENTRY definition with this name
		102	The user associated with the issuing task is not an authorized surrogate of the user specified in the AUTHID parameter
		103	The user associated with the issuing task is not authorized to create a DB2ENTRY with an AUTHTYPE parameter
CREATE DB2TRAN	LENGERR	1	The length specified in ATTRLEN is negative
		2	Command cannot be executed because an earlier CONNECTION or TERMINAL pool definition not yet completed
	INVREQ	n	There is a syntax error in the ATTRIBUTES string, or an error occurred during either the discard or resource definition phase of processing
		200	The command was executed in a program defined with an EXECUTIONSET value of DPLSUBSET or a program invoked from a remote system by a distributed program link without the SYNCONRETURN option.
	NOTAUTH	100	The user associated with the issuing task is not authorized to use this command
		101	The user associated with the issuing task is not authorized to create a DB2TRAN definition and associate it with the named DB2ENTRY

RESP2 values

Command	Condition	RESP2	Meaning
		102	The user associated with the issuing task is not an authorized surrogate of the user specified in the AUTHID parameter of the DB2ENTRY named in the DB2TRAN
		103	The user associated with the issuing task is not authorized to create a DB2TRAN with the DB2ENTRY specifying AUTHTYPE
CREATE DOCTEMPLATE	LENGERR	1	The length specified in ATTRLEN is negative
	INVREQ	n	There is a syntax error in the ATTRIBUTES string, or an error occurred during either the discard or resource definition phase of processing
		200	The command was executed in a program defined with an EXECUTIONSET value of DPLSUBSET or a program invoked from a remote system by a distributed program link without the SYNCONRETURN option.
	NOTAUTH	100	The user associated with the issuing task is not authorized to use this command
CREATE ENQMODEL	LENGERR	1	The length specified in ATTRLEN is negative
	INVREQ	n	There is a syntax error in the ATTRIBUTES string, or an error occurred during either the discard or resource definition phase of processing

RESP2 values

Command	Condition	RESP2	Meaning
		200	The command was executed in a program defined with an EXECUTIONSET value of DPLSUBSET or a program invoked from a remote system by a distributed program link without the SYNCONRETURN option.
	NOTAUTH	100	The user associated with the issuing task is not authorized to use this command
		101	The user associated with the issuing task is not authorized to create this a ENQMODEL definition with this name
CREATE FILE	LENGERR	1	The length specified in ATTRLEN is negative
	ILLOGIC	2	The command cannot be executed because an earlier connection or terminal pool definition has not yet been completed
	NOTAUTH	100	The user associated with the issuing task is not authorized to use this command
		101	The user associated with the issuing task is not authorized to create a FILE definition with this name
	INVREQ	n	There is a syntax error in the ATTRIBUTES string, or an error occurred during either the discard or resource definition phase of processing

RESP2 values

Command	Condition	RESP2	Meaning
		200	The command was executed in a program that has been linked to from a remote system that has not specified the SYNCONRETURN option, or has been linked to locally and is defined with EXECUTIONSET=DPLSUBSET
CREATE JOURNALMODEL	LENGERR	1	The length specified in ATTRLEN is negative
	ILLOGIC	2	The command cannot be executed because an earlier CONNECTION or TERMINAL pool definition has not yet been completed
	NOTAUTH	100	The user associated with the issuing task is not authorized to use this command
	INVREQ	n	There is a syntax error in the ATTRIBUTES string, or an error occurred during either the discard or resource definition phase of processing
		200	The command was executed in a program that has been linked to from a remote system that has not specified the SYNCONRETURN option, or has been linked to locally and is defined with EXECUTIONSET=DPLSUBSET
CREATE LSRPOOL	LENGERR	1	The length specified in ATTRLEN is negative
	ILLOGIC	2	The command cannot be executed because an earlier CONNECTION or TERMINAL pool definition has not yet been completed
	NOTAUTH	100	The user associated with the issuing task is not authorized to use this command

RESP2 values

Command	Condition	RESP2	Meaning
CREATE MAPSET	INVREQ	n	There is a syntax error in the ATTRIBUTES string, or an error occurred during either the discard or resource definition phase of processing
		200	The command was executed in a program that has been linked to from a remote system that has not specified the SYNCONRETURN option, or has been linked to locally and is defined with EXECUTIONSET=DPLSUBSET
	LENGERR	1	The length specified in ATTRLEN is negative
	ILLOGIC	2	The command cannot be executed because an earlier CONNECTION or TERMINAL pool definition has not yet been completed
		100	The user associated with the issuing task is not authorized to use this command
	NOTAUTH	101	The user associated with the issuing task is not authorized to create a MAPSET definition with this name
		INVREQ	n
	200		The command was executed in a program that has been linked to from a remote system that has not specified the SYNCONRETURN option, or has been linked to locally and is defined with EXECUTIONSET=DPLSUBSET

RESP2 values

Command	Condition	RESP2	Meaning	
CREATE PARTITIONSET	LENGERR	1	The length specified in ATTRLEN is negative	
	ILLOGIC	2	The command cannot be executed because an earlier CONNECTION or TERMINAL pool definition has not yet been completed	
		100	The user associated with the issuing task is not authorized to use this command	
	NOTAUTH	101	The user associated with the issuing task is not authorized to create this particular PARTITIONSET	
		INVREQ	n	There is a syntax error in the ATTRIBUTES string, or an error occurred during either the discard or resource definition phase of processing
			200	The command was executed in a program that has been linked to from a remote system that has not specified the SYNCONRETURN option, or has been linked to locally and is defined with EXECUTIONSET=DPLSUBSET
CREATE PARTNER	LENGERR	1	The length specified in ATTRLEN is negative	
	ILLOGIC	2	The command cannot be executed because an earlier CONNECTION or TERMINAL pool definition has not yet been completed	
		100	The user associated with the issuing task is not authorized to use this command	

RESP2 values

Command	Condition	RESP2	Meaning
CREATE PROFILE	INVREQ	n	There is a syntax error in the ATTRIBUTES string, or an error occurred during either the discard or resource definition phase of processing
		200	The command was executed in a program that has been linked to from a remote system that has not specified the SYNCONRETURN option, or has been linked to locally and is defined with EXECUTIONSET=DPLSUBSET
	LENGERR	1	The length specified in ATTRLEN is negative
	ILLOGIC	2	The command cannot be executed because an earlier CONNECTION or TERMINAL pool definition has not yet been completed
	NOTAUTH	100	The user associated with the issuing task is not authorized to use this command
	INVREQ	n	There is a syntax error in the ATTRIBUTES string, or an error occurred during either the discard or resource definition phase of processing
		200	The command was executed in a program that has been linked to from a remote system that has not specified the SYNCONRETURN option, or has been linked to locally and is defined with EXECUTIONSET=DPLSUBSET
CREATE PROGRAM	LENGERR	1	The length specified in ATTRLEN is negative

RESP2 values

Command	Condition	RESP2	Meaning
	ILLOGIC	2	The command cannot be executed because an earlier CONNECTION or TERMINAL pool definition has not yet been completed
	NOTAUTH	100	The user associated with the issuing task is not authorized to use this command
		101	The user associated with the issuing task is not authorized to create this particular PROGRAM
	INVREQ	n	There is a syntax error in the ATTRIBUTES string, or an error occurred during either the discard or resource definition phase of processing
		200	The command was executed in a program that has been linked to from a remote system that has not specified the SYNCONRETURN option, or has been linked to locally and is defined with EXECUTIONSET=DPLSUBSET
CREATE REQUESTMODEL	LENGERR	1	The length specified in ATTRLEN is negative
	ILLOGIC	2	The command cannot be executed because an earlier CONNECTION or TERMINAL pool definition has not yet been completed
	NOTAUTH	100	The user associated with the issuing task is not authorized to use this command
	INVREQ	n	There is a syntax error in the ATTRIBUTES string, or an error occurred during either the discard or resource definition phase of processing

RESP2 values

Command	Condition	RESP2	Meaning
		200	The command was executed in a program that has been linked to from a remote system that has not specified the SYNCONRETURN option, or has been linked to locally and is defined with EXECUTIONSET=DPLSUBSET
CREATE SESSIONS	LENGERR	1	The length specified in ATTRLEN is negative
	ILLOGIC	2	The command cannot be executed because an earlier CONNECTION or TERMINAL pool definition has not yet been completed
	NOTAUTH	100	The user associated with the issuing task is not authorized to use this command
		102	The user of transaction issuing CREATE SESSIONS is not an authorized surrogate of the user specified in USERID
		102	The user of the transaction issuing the CREATE SESSIONS command is not an authorized surrogate of the userid specified in USERID
INVREQ	200	The command was executed in a program that has been linked to from a remote system that has not specified the SYNCONRETURN option, or has been linked to locally and is defined with EXECUTIONSET=DPLSUBSET	

RESP2 values

Command	Condition	RESP2	Meaning
CREATE TCPIPSERVICE	INVREQ	n	Syntax error in ATTRIBUTE string or an error occurred during either the discard or resource definition phase of processing
		200	The command executed in program defined with an EXECUTIONSET or DPLSUBSET, or a program invoked from a remote system by a distributed program link without the SYNCONRETURN option.
	LENGERR	1	Length specified in ATTRLEN is negative
	NOTAUTH	100	The user associated with the issuing task is not authorized to use this command
CREATE TDQUEUE	LENGERR	1	The length specified in ATTRLEN is negative
	ILLOGIC	2	The command cannot be executed because an earlier CONNECTION or TERMINAL pool definition has not yet been completed
	NOTAUTH	100	The user associated with the issuing task is not authorized to use this command
		101	The user associated with the issuing task is not authorized to create a TDQUEUE definition with this name
	102	The user of the transaction issuing the CREATE TDQUEUE command is not an authorized surrogate of the user specified in USERID	

RESP2 values

Command	Condition	RESP2	Meaning
CREATE TERMINAL	INVREQ	n	There is a syntax error in the ATTRIBUTES string, or an error occurred during either the discard or resource definition phase of processing
		200	The command was executed in a program that has been linked to from a remote system that has not specified the SYNCONRETURN option, or has been linked to locally and is defined with EXECUTIONSET=DPLSUBSET
	LENGERR	1	The length specified in ATTRLEN is negative
	ILLOGIC	2	The command cannot be executed because an earlier CONNECTION or TERMINAL pool definition has not yet been completed
	NOTAUTH	100	The user associated with the issuing task is not authorized to use this command
		102	The user of the transaction issuing the CREATE TERMINAL command is not an authorized surrogate of the userid specified in USERID
	INVREQ	n	There is a syntax error in the ATTRIBUTES string, or an error occurred during either the discard or resource definition phase of processing

RESP2 values

Command	Condition	RESP2	Meaning
		200	The command was executed in a program that has been linked to from a remote system that has not specified the SYNCONRETURN option, or has been linked to locally and is defined with EXECUTIONSET=DPLSUBSET
CREATE TRANCLASS	LENGERR	1	The length specified in ATTRLEN is negative
	ILLOGIC	2	The command cannot be executed because an earlier CONNECTION or TERMINAL pool definition has not yet been completed
	NOTAUTH	100	The user associated with the issuing task is not authorized to use this command
	INVREQ	n	There is a syntax error in the ATTRIBUTES string, or an error occurred during either the discard or resource definition phase of processing
		200	The command was executed in a program that has been linked to from a remote system that has not specified the SYNCONRETURN option, or has been linked to locally and is defined with EXECUTIONSET=DPLSUBSET
CREATE TRANSACTION	LENGERR	1	The length specified in ATTRLEN is negative
	ILLOGIC	2	The command cannot be executed because an earlier CONNECTION or TERMINAL pool definition has not yet been completed
	NOTAUTH	100	The user associated with the issuing task is not authorized to use this command

RESP2 values

Command	Condition	RESP2	Meaning
CREATE TSMODEL	INVREQ	101	The user associated with the issuing task is not authorized to create this particular TRANSACTION
		n	There is a syntax error in the ATTRIBUTES string, or an error occurred during either the discard or resource definition phase of processing
		200	The command was executed in a program that has been linked to from a remote system that has not specified the SYNCONRETURN option, or has been linked to locally and is defined with EXECUTIONSET=DPLSUBSET
	LENGERR	1	The length specified in ATTRLEN is negative
		100	The user associated with the issuing task is not authorized to use this command
	INVREQ	101	The user associated with the issuing task is not authorized to create a TSMODEL definition with this name
n		There is a syntax error in the ATTRIBUTES string, or an error occurred during either the discard or resource definition phase of processing	
200		The command was executed in a program that has been linked to from a remote system that has not specified the SYNCONRETURN option, or has been linked to locally and is defined with EXECUTIONSET=DPLSUBSET	
CREATE TYPETERM	LENGERR	1	The length specified in ATTRLEN is negative

RESP2 values

Command	Condition	RESP2	Meaning
	ILLOGIC	2	The command cannot be executed because an earlier CONNECTION or TERMINAL pool definition has not yet been completed
	NOTAUTH	100	The user associated with the issuing task is not authorized to use this command
	INVREQ	n	There is a syntax error in the ATTRIBUTES string, or an error occurred during either the discard or resource definition phase of processing
		200	The command was executed in a program that has been linked to from a remote system that has not specified the SYNCONRETURN option, or has been linked to locally and is defined with EXECUTIONSET=DPLSUBSET
DELAY	INVREQ	4	Hours are out of range
		5	Minutes are out of range
		6	Seconds are out of range
DELETE	FILENOTFOUND	1	The file name referred to in the FILE option cannot be found in the FCT
	INVREQ	20	Delete operations are not allowed according to the file entry specification in the FCT <u>or</u> the user-maintained data table was defined as a CICS file and the definition does not allow for delete operations
		21	A DELETE command was issued for a file referring to a VSAM ESDS
		22	A generic delete was issued for a file that is not a VSAM KSDS

RESP2 values

Command	Condition	RESP2	Meaning
		25	The KEYLENGTH and GENERIC options were specified, and the length specified in the KEYLENGTH option is greater than or equal to the length of a full key
		26	The KEYLENGTH option was specified (but the GENERIC option is not specified), and the specified length does not equal the length defined for the data set to which this file refers
		27	A DELETE command was issued for a file referring to a BDAM data set
		31	A DELETE command without the RIDFLD option was issued for a file for which no previous READ UPDATE command has been issued
		42	The KEYLENGTH and GENERIC options were specified, and the length specified in the KEYLENGTH option is less than zero
		44	The DELETE command does not conform to the format of DELETE for a user-maintained table; for example if GENERIC were specified
		47	A DELETE instruction included a token whose value cannot be matched against any token in use for an existing READ for UPDATE request

RESP2 values

Command	Condition	RESP2	Meaning
		51	A DELETE command specifying the RBA keyword was issued against a KSDS file that is being accessed in RLS mode. RLS does not support relative byte address (RBA) access to KSDS files
		55	NOSUSPEND was specified for a non-RLS file
	DISABLED	50	A file is disabled
	NOTOPEN	60	The requested file is CLOSED and UNENABLED <u>or</u> the requested file is OPEN and in use by other transactions, but a close request against it has been received <u>or</u> a DELETE command has been issued against a data set that is quiesced, or is being quiesced, as a result of a SET DSNAME QUIESCED or IMMQUIESCED command
	ISCINVREQ	70	The remote system indicated a failure that does not correspond to a known condition
	NOTFND	80	An attempt to delete a record based on the search argument provided is unsuccessful <u>or</u> , for user-maintained data tables, an attempt to delete a record was unsuccessful because there is no entry with the specified key in the data table
	NOTAUTH	101	A resource security check has failed on FILE(filename)

RESP2 values

Command	Condition	RESP2	Meaning
	LOADING	104	A delete request has been issued for a user-maintained table that is currently being loaded
	LOCKED	106	An attempt has been made to delete a record specifying the RIDFLD, but a <i>retained</i> lock exists against this key. If the request specified the GENERIC keyword, all possible records are deleted, but the locked records remain. The number of records deleted is returned by NUMREC
	RECORDBUSY	107	The NOSUSPEND keyword was specified for the deletion of a record that is locked by a VSAM <i>active</i> lock
	ILLOGIC	110	A VSAM error has occurred which does not fall within the one of the other CICS response categories
	IOERR	120	There has been an I/O error during the file control operation
	SYSIDERR	130	The SYSID option specified a name that is neither the local nor the remote system (made known to CICS by defining a CONNECTION); <u>or</u> the link to the remote system was closed.
	DUPKEY	140	A record has been accessed by way of an alternate index with the NONUNIQUEKEY attribute, and another alternate index record with the same key follows

RESP2 values

Command	Condition	RESP2	Meaning
DEQ	LENGERR	1	The value specified for the LENGTH option is outside the range 1–255
	INVREQ	2	The MAXLIFETIME option has an incorrect CVDA
DISABLE PROGRAM	NOTAUTH	100	The user associated with the issuing task is not authorized to use this command
		101	The user associated with the issuing task is not authorized to access this particular resource in the way required by this command.
DISCARD AUTINSTMODEL	MODELIDERR	1	The model cannot be found
	INVREQ	2	The model you requested is currently in use
		3	The model cannot be discarded because its name begins with DFH
	NOTAUTH	100	The user associated with the issuing task is not authorized to use this command
DISCARD CONNECTION	SYSIDERR	9	The named connection cannot be found
		24	Remote and in-use
		25	Not set out-of-service and not remote
		26	Recovery work pending
		27	Discard processing failed
		28	Indirect connections point to this connection
		29	MRO connection and IRC active
		38	Delete already in flight
		39	Entry locked by another RDO action
		200	DPL subset without SYNCONRETURN
	NOTAUTH	100	The user of this command is not authorized

RESP2 values

Command	Condition	RESP2	Meaning
DISCARD DB2CONN	INVREQ	2	The CICS DB2 interface is active
	NOTFND	1	A DB2CONN cannot be found
	NOTAUTH	100	The user associated with the issuing task is not authorized to use this command
DISCARD DB2ENTRY	INVREQ	2	The DB2ENTRY is currently in use
		3	The DB2ENTRY is not disabled
	NOTFND	1	The DB2ENTRY cannot be found
	NOTAUTH	100	The user associated with the issuing task is not authorized to use this command
		101	The user associated with the issuing task is not authorized to access this particular resource in the way required by this command
DISCARD DB2TRAN	NOTFND	1	The DB2ENTRY cannot be found
	NOTAUTH	100	The user associated with the issuing task is not authorized to use this command
		101	The user associated with the issuing task is not authorized to access the DB2ENTRY referenced by this DB2TRAN in the way required by this command
DISCARD DOCTEMPLATE	LENGERR	1	The length specified in ATTRLEN is negative
	NOTAUTH	100	The user associated with the issuing task is not authorized to use this command

RESP2 values

Command	Condition	RESP2	Meaning
	INVREQ	n	There is a syntax error in the ATTRIBUTES string, or an error occurred during either the discard or resource definition phase of processing
		200	The command was executed in a program that has been linked to from a remote system that has not specified the SYNCONRETURN option, or has been linked to locally and is defined with EXECUTIONSET=DPLSUBSET
DISCARD ENQMODEL	NOTFND	1	The specified ENQMODEL is not installed on this system
	NOTAUTH	100	The user associated with the issuing task is not authorized to use this command
DISCARD FILE	INVREQ	2	The file is not closed
		3	The file is not disabled
		25	The file definition is currently in use
		26	The file cannot be discarded because its name begins with DFH
		43	The file cannot be discarded because it has work outstanding for which there are retained locks
	FILENOTFOUND	18	The file cannot be found
	NOTAUTH	100	The user associated with the issuing task is not authorized to use this command
		101	The user associated with the issuing task is not authorized to access this particular resource in the way required by this command
DISCARD JOURNALMODEL	NOTFND	1	The specified JOURNALMODEL name was not found

RESP2 values

Command	Condition	RESP2	Meaning
	NOTAUTH	100	The user is not authorized for this command
DISCARD JOURNALNAME	INVREQ	3	The specified journal name (for example, the system log) cannot be discarded
	JIDERR	1	The journal cannot be found
	NOTAUTH	100	The user is not authorized for this command
		101	The user does not have the required access authority to the specified journal name
DISCARD PARTNER	PARTNERIDERR	1	The partner cannot be found
		5	The Partner Resource Manager (PRM) is not active, because it failed to initialize during CICS initialization
	INVREQ	2	The partner definition is currently in use
		3	The partner cannot be discarded because its name begins with DFH
	NOTAUTH	100	The user associated with the issuing task is not authorized to use this command
DISCARD PROFILE	PROFILEIDERR	1	The profile cannot be found
		2	The profile definition is currently in use
		3	A transaction definition points to the profile
		4	The profile cannot be discarded because its name begins with DFH
	NOTAUTH	100	The user associated with the issuing task is not authorized to use this command

RESP2 values

Command	Condition	RESP2	Meaning
DISCARD PROGRAM	INVREQ	1	The resource cannot be discarded because its name begins with DFH
		11	The resource definition is currently in use
		15	The resource cannot be discarded because it is a user-replaceable module
	PGMIDERR	7	The resource definition cannot be found
	NOTAUTH	100	The user associated with the issuing task is not authorized to use this command
		101	The user associated with the issuing task is not authorized to access this particular resource in the way required by this command
DISCARD REQUESTMODEL	NOTFND	1	The requested model name was not found
	NOTAUTH	100	The user associated with the issuing task is not authorized to use this command
DISCARD TCPIPSERVICE	INVREQ	9	The TCPIPService is still open
	NOTFND	3	The TCPIPSERVICE name was not found
	NOTAUTH	100	The user associated with the issuing task is not authorized to use this command
DISCARD TDQUEUE	QIDERR	1	The queue cannot be found
	INVREQ	11	The queue name begins with the letter C
		18	The queue is not closed
		30	Disable pending
		31	The queue is not disabled

RESP2 values

Command	Condition	RESP2	Meaning
		200	The command was executed in a program that has been linked to from a remote system that has not specified the SYNCONRETURN option, or has been linked to locally and is defined with EXECUTIONSET=DPLSUBSET
	NOTAUTH	100	The user associated with the issuing task is not authorized to use this command
		101	The user associated with the issuing task is not authorized to access this particular resource in the way required by this command
DISCARD TERMINAL	TERMIDERR	23	Named terminal cannot be found
	INVREQ	33	APPC session or device
		38	Terminal type not VTAM or console
		39	Not out of service and not remote
		40	Error console
		41	MRO session
		43	Delete failed
		44	Remote and in-use
		45	Locked by another RDO action
		46	Delete already in flight
		200	The command was executed in a program that has been linked to from a remote system that has not specified the SYNCONRETURN option, or has been linked to locally and is defined with EXECUTIONSET=DPLSUBSET
	NOTAUTH	100	The use of this command is not authorized
DISCARD TRANCLASS	TCIDERR	1	The transaction class cannot be found

RESP2 values

Command	Condition	RESP2	Meaning
	INVREQ	2	The TRANCLASS definition is in use
		12	The transaction class cannot be discarded because installed transactions belong to it
	NOTAUTH	100	The user associated with the issuing task is not authorized to use this command
DISCARD TRANSACTION	TRANSIDERR	1	The transaction cannot be found
	INVREQ	4	The transaction cannot be discarded because its name begins with C
		13	The transaction is a SIT parameter
		14	The transaction is scheduled to run at a future time (in use by an interval control element)
		15	The transaction is scheduled to run when required resources are available (in use by an automatic initiate descriptor)
		100	The user associated with the issuing task is not authorized to use this command
	101	The user associated with the issuing task is not authorized to access this particular resource in the way required by this command	
DISCARD TSMODEL	NOTFND	1	The TSMODEL does not exist
	INVREQ	2	The TSMODEL definition is currentl in use
		3	The TS model cannot be discarded because its name begins with DFH

RESP2 values

Command	Condition	RESP2	Meaning
	NOTAUTH	100	The user associated with the issuing task is not authorized to use this command
		101	The user associated with the issuing task is not authorized to discard a TSMODEL with this name
DUMP TRANSACTION	SUPPRESSED	1	The transaction dump is suppressed by MAXIMUM in table
		2	The transaction dump is suppressed by NOTRANDUMP in table
		3	The transaction dump is suppressed by a user exit program
	NOSPACE	4	The transaction dump is incomplete due to lack of space
	NOSTG	5	CICS has run out of working storage
	NOTOPEN	6	The current CICS dump routine is not open
	OPENERR	7	Error on opening, closing, or writing to, the current CICS dump routine
	IOERR	9	The SDUMP process was not authorized
		10	An error occurred during system dumping
		13	The CICS routine issuing the SDUMP was unable to establish a recovery routine (FESTAE)
	INVREQ	13	An incorrect DUMPCODE was specified. DUMPCODE must not contain leading or imbedded blanks
ENABLE PROGRAM	NOTAUTH	100	The user associated with the issuing task is not authorized to issue this command

RESP2 values

Command	Condition	RESP2	Meaning
		101	The user associated with the task is not authorized to access this particular resource in the way required by this command.
ENDBR	FILENOTFOUND	1	The name referred to in the FILE option cannot be found in the FCT
	INVREQ	35	The REQID, if any, does not match that of any successful STARTBR command
	ISCINVREQ	70	The remote system indicated a failure that does not correspond to a known condition
	NOTAUTH	101	A resource security check has failed on FILE(filename)
	ILLOGIC	110	A VSAM error which does not fall within one of the other CICS response categories has occurred.
	IOERR	120	There has been an I/O error during the operation
	SYSIDERR	130	The SYSID option specified a name that is neither the local nor the remote system (made known to CICS by defining a connection); <u>or</u> the link to the remote system is closed.
ENQ	LENGERR	1	The value specified for the LENGTH option is outside the range 1–255
	INVREQ	2	The MAXLIFETIME option has an incorrect CVDA
ENTER TRACENUM	INVREQ	1	TRACENUM is outside the range 0–199
		2	There is no valid trace destination

RESP2 values

Command	Condition	RESP2	Meaning
		3	The user trace master flag is set OFF and EXCEPTION has not been specified
	LENGERR	4	FROMLENGTH is outside the range 0–4000 specified
EXTRACT ATTRIBUTES (APPC)	INVREQ	200	A distributed program link server application explicitly, or implicitly by default, specified the function-shipping session (its principal facility) on the CONVID option
EXTRACT ATTRIBUTES (MRO)	INVREQ	200	A distributed program link server application explicitly, or implicitly by default, specified the function-shipping session (its principal facility) on the CONVID option
EXTRACT EXIT	NOTAUTH	100	The user associated with the issuing task is not authorized to issue this command
		101	The user associated with the task is not authorized to access this particular resource in the way required by this command.
EXTRACT PROCESS	INVREQ	200	A distributed program link server application specified the function-shipping session (its principal facility) on the CONVID option
FORMATTIME	INVREQ	1	The ABSTIME option is in an incorrect format

RESP2 values

Command	Condition	RESP2	Meaning
FREE (APPC)	INVREQ	200	A distributed program link server application specified the function-shipping session (its principal facility) on the CONVID option
FREEMAIN	INVREQ	1	The storage specified by the DATA or DATAPOINTER parameter was not storage acquired by a GETMAIN command
		2	The storage area specified by the DATA or DATAPOINTER parameter was in CICS-key storage, and the program issuing the FREEMAIN command was in user-key.
GETMAIN	LENGERR	1	The FLENGTH value was less than 1 or greater than the length of the target storage area from which the request was to be satisfied
	NOSTG	2	The storage requested was more than was currently available in the target DSA
HANDLE ABEND	PGMIDERR	1	The program has no entry in the PPT and autoinstall for programs is not active
		2	The program is disabled
		9	The installed program definition is for a remote program
HANDLE AID	INVREQ	200	The command was issued by a distributed program link server application

RESP2 values

Command	Condition	RESP2	Meaning
INQUIRE AUTINSTMODEL	ILLOGIC	1	A START has been given when a browse is already in progress, <u>or</u> a NEXT or an END has been given when a browse of this resource type is not in progress
	MODELIDERR	1	The model specified cannot be found
	END	2	There are no more resource definitions of this type
	NOTAUTH	100	The user associated with the issuing task is not authorized to use this command
INQUIRE AUTOINSTALL	INVREQ	20	The console has an invalid CVDA value
	NOTAUTH	100	The user associated with the issuing task is not authorized to use this command
INQUIRE CFDTPOOL	END	2	There are no more coupling facility data table pools to browse
	ILLOGIC	1	START command issued when CFDTPOOLS already in progress, or NEXT or END issued when CFDTPOOLS is not in progress
	POOLERR	1	Named CFDTPOOL was not found
		2	An internal control structure that CICS uses to maintain access to CFDT pools has been altered while the set of pools known to CICS was being browsed.
	NOTAUTH	100	The user associated with the issuing task is not authorized to use this command

RESP2 values

Command	Condition	RESP2	Meaning
INQUIRE CONNECTION	END	2	There are no more resource definitions of this type
	ILLOGIC	1	A START has been given when a browse is already in progress <u>or</u> a NEXT or an END has been given when a browse of this resource type is not in progress
	NOTAUTH	100	The user associated with the issuing task is not authorized to use this command
	SYSIDERR	1	The named connection could not be found
INQUIRE DB2CONN	NOTFND	1	The requested DB2CONN cannot be found
	NOTAUTH	100	Command authorization failure
INQUIRE DB2ENTRY	NOTFND	1	The requested DB2ENTRY cannot be found
	NOTAUTH	100	Command authorization failure
		101	Resource authorization failure
INQUIRE DB2TRAN	NOTFND	1	The requested DB2TRAN cannot be found
	NOTAUTH	100	Command authorization failure
		101	Resource authorization failure
INQUIRE DELETSHIPED	NOTAUTH	100	The user associated with the issuing task is not authorized to use this command
INQUIRE DOCTEMPLATE	END	2	There are no more resource definitions of this type
	ILLOGIC	1	A START has been given when a browse is already in progress <u>or</u> a NEXT or an END has been given when a browse of this resource type is not in progress

RESP2 values

Command	Condition	RESP2	Meaning
	MODELIDERR	1	The DOCTEMPLATE specified cannot be found
	NOTAUTH	100	The user associated with the issuing task is not authorized to use this command
INQUIRE DSNAME	DSNNOTFOUND	1	The data set cannot be found
	END	2	There are no more resource definitions of this type
	ILLOGIC	1	A START has been given when a browse is already in progress <u>or</u> a NEXT or an END has been given when a browse of this resource type is not in progress
	IOERR	40	QUIESCESTATE was specified, but an error was raised by DFSMS reading the ICF catalog
		49	An error was raised by DFSMS reading the ICF catalog to establish the base data set name
	NOTAUTH	100	The user associated with the issuing task is not authorized to use this command
INQUIRE DUMPDS	NOTAUTH	100	The user associated with the issuing task is not authorized to use this command
INQUIRE ENQMODEL	END	2	There are no more resource definitions of this type
	NOTFND	1	The ENQMODEL cannot be found

RESP2 values

Command	Condition	RESP2	Meaning
	ILLOGIC	1	A START has been issued when a browse of this resource type is already in progress, or a NEXT or END issued when a browse of this resource type is not in progress
	NOTAUTH	100	The user associated with the issuing task is not authorized to use this command
		101	The user associated with the issuing task is not authorized to access this particular resource in the way required by this command
INQUIRE EXCI	END	2	There are no more resource definitions of this type
	ILLOGIC	1	A START has been issued when a browse of this resource type is already in progress, or a NEXT or END issued when a browse of this resource type is not in progress
	NOTAUTH	100	The user associated with the issuing task is not authorized to use this command
		101	The user associated with the issuing task is not authorized to access this particular resource in the way required by this command
INQUIRE EXITPROGRAM	END	2	There are no more resource definitions of this type
	INVREQ	3	The exit point identified by EXIT does not exist

RESP2 values

Command	Condition	RESP2	Meaning
	ILLOGIC	1	A START has been given when a browse is already in progress, <u>or</u> a NEXT or an END has been given when a browse of this resource type is not in progress
	NOTAUTH	100	The user associated with the issuing task is not authorized to use this command
		101	The user associated with the issuing task is not authorized to access this particular resource in the way required by this command
	PGMIDERR	1	<ul style="list-style-type: none"> The exit identified by EXITPROGRAM and ENTRYNAME is not enabled, <u>or</u> The EXIT parameter is missing for an inquiry on a global user exit, <u>or</u> The EXIT parameter is present on a task-related user exit
INQUIRE FILE	END	2	There are no more resource definitions as this type
	FILENOTFOUND	1	The file cannot be found
	ILLOGIC	1	A START has been given when a browse is already in progress <u>or</u> a NEXT or an END has been given when a browse of this resource type is not in progress
	NOTAUTH	100	The user associated with the issuing task is not authorized to use this command

RESP2 values

Command	Condition	RESP2	Meaning
		101	The user associated with the issuing task is not authorized to access this particular resource in the way required by this command
INQUIRE IRC	NOTAUTH	100	The user associated with the issuing task is not authorized to use this command
INQUIRE JOURNALMODEL	END	2	All authorized resource definitions have been retrieved. All data areas specified on this command are left unchanged
	ILLOGIC	1	A START has been given when a browse is already in progress <u>or</u> a NEXT or an END has been given without a preceding START
		2	The browse token is not valid
	NOTFND	1	The specified journal model was not found
	NOTAUTH	100	The user is not authorized for this command
INQUIRE JOURNALNAME	END	2	All authorized resource definitions have been retrieved. All data areas specified on this command are left unchanged
	ILLOGIC	1	A START has been given when a browse is already in progress <u>or</u> a NEXT or an END has been given without a preceding START
		2	The browse token is not valid
	JIDERR	1	The specified journal name was not found

RESP2 values

Command	Condition	RESP2	Meaning
	NOTAUTH	100	The user is not authorized for this command
		101	The user does not have the required access authority to the specified resource (Not applicable to INQUIRE JOURNALNAME START, INQUIRE JOURNALNAME NEXT, or INQUIRE JOURNALNAME END commands)
INQUIRE MODENAME	END	2	There are no more resource definitions of this type
	ILLOGIC	1	A START has been given when a browse is already in progress, <u>or</u> a NEXT or END has been given when a browse of this resource type is not in progress
	SYSIDERR	1	The connection cannot be found
		2	The modename within the connection cannot be found
		3	The connection specified on an INQUIRE MODENAME NEXT cannot be found
	NOTAUTH	100	The user associated with the issuing task is not authorized to use this command
INQUIRE MONITOR	NOTAUTH	100	The user associated with the issuing task is not authorized to use this command
INQUIRE PARTNER	END	2	There are no more resource definitions of this type

RESP2 values

Command	Condition	RESP2	Meaning
	ILLOGIC	1	A START has been given when a browse is already in progress <u>or</u> a NEXT or an END has been given when a browse if this resource type is not in progress
	PARTNERIDERR	1	The partner cannot be found
		2	Partner Resource Manager (PRM) is not active, because it failed to initialize during CICS initialization
	NOTAUTH	100	The user associated with the issuing task is not authorized to use this command
INQUIRE PROFILE	END	2	There are no more resource definitions of this type
	ILLOGIC	1	A START has been given when a browse is already in progress, <u>or</u> a NEXT or an END has been given when a browse of this resource type is not in progress
	PROFILEIDERR	1	The profile cannot be found
	NOTAUTH	100	The user associated with the issuing task is not authorized to use this command
INQUIRE PROGRAM	END	2	There are no more resource definitions of this type
	ILLOGIC	1	A START has been given when a browse is already in progress <u>or</u> or a NEXT or an END has been given when a browse of this resource type is not in progress
	PGMIDERR	1	The program cannot be found

RESP2 values

Command	Condition	RESP2	Meaning
	NOTAUTH	100	The user associated with the issuing task is not authorized to use this command
		101	The user associated with the issuing task is not authorized to access this particular resource in the way required by this command
INQUIRE REQID	NOTFND	1	The REQID cannot be found
	ILLOGIC	1	You have issued a START command when a browse is already in progress, or a NEXT or an END issued when a browse of this resource type is not in progress
	END	2	There are no more resource definitions of this type
	INVREQ	3	An I/O error occurred while an attempt was made to read data from temporary storage for the SET, QUEUE, RTERMID or RTRANSID option
		4	Data required for the SET, QUEUE, RTERMID or RTRANSID option cannot be returned because it has been deleted from temporary storage
	NOTAUTH	100	The user associated with the issuing task is not authorized to use this command
INQUIRE REQUESTMODEL	NOTFND	1	The specified erquest model was not found

RESP2 values

Command	Condition	RESP2	Meaning
	ILLOGIC	1	You have issued a START command when a browse is already in progress, <u>or</u> a NEXT or an END issued when a browse of this resource type is not in progress
	END	2	All authorized resource definitions have been retrieved
	NOTAUTH	100	The user associated with the issuing task is not authorized to use this command
INQUIRE STATISTICS	NOTAUTH	100	The user associated with the issuing task is not authorized to use this command
INQUIRE STORAGE	NOTAUTH	100	The user associated with the issuing task is not authorized to use this command
	TASKIDERR	1	The task number does not exist
		2	The task number is a system task, not a user task
INQUIRE STREAMNAME	NOTAUTH	100	The user is not authorized for this command
	END	2	All authorized resource definitions have been retrieved. All data areas specified on this command are left unchanged
	NOTFND	1	The requested log stream name was not found
	ILLOGIC	1	A START has been given when a browse is already in progress, <u>or</u> a NEXT or an END has been given without a preceding START
		2	The browse token is not valid

RESP2 values

Command	Condition	RESP2	Meaning
INQUIRE SYSDUMPCODE	END	2	There are no more resource definitions of this type
	NOTAUTH	100	The user associated with the issuing task is not authorized to use this command
	ILLOGIC	1	A START command has been issued when a browse is already in progress or a NEXT or an END command issued when a browse of this resource type is not in progress
	NOTFND	1	The named dump code cannot be found
INQUIRE SYSTEM	NOTAUTH	100	The user associated with the issuing task is not authorized to use this command
INQUIRE TASK	TASKIDERR	1	The named task cannot be found
		2	The task is executing a type of transaction which is not subject to this command operator
	NOTAUTH	100	The user associated with the issuing task is not authorized to use this command
	INVREQ	1	SUSPENDVALUE is specified but significant characters are lost
		3	TCLASS is specified but CLASS is named. The user should specify the TRANCLASS option
		10	Requested data is held on a data profile, but the data is not available

RESP2 values

Command	Condition	RESP2	Meaning
INQUIRE TASK LIST	NOTAUTH	100	The user associated with the issuing task is not authorized to use this command
INQUIRE TCLASS	TCIDERR	1	The named task class cannot be found
	NOTAUTH	100	The user associated with the issuing task is not authorized to use this command
INQUIRE TCPIP	INVREQ	4	TCPIP=NO has been specified in the system initialization table (SIT)
	NOTAUTH	100	The user associated with the issuing task is not authorized to use this command
INQUIRE TCPIPSERVICE	NOTFND	3	Named TCPIPSERVICE was not found
	ILLOGIC	1	A START command has been issued when a browse is already in progress or a NEXT or an END command issued when a browse of this resource type is not in progress
		2	There are no more resource definitions of this type
		4	TCPIP not available (TCPIP=NO)
	NOTAUTH	5	TCPIP is closed
		100	The user associated with the issuing task is not authorized to use this command
	INQUIRE TDQUEUE	ENDCOND	2
ILLOGIC		1	Browse sequence error

RESP2 values

Command	Condition	RESP2	Meaning
	NOTAUTH	100	The user associated with the issuing task is not authorized to use this command
		101	The user associated with the issuing task is not authorized to access this particular resource in the way required by this command
	QIDERR	1	The named queue cannot be found
	NORMAL	0	No errors
INQUIRE TERMINAL	END	2	There are no more resource definitions of this type
	ILLOGIC	1	A START has been given when a browse is already in progress <u>or</u> a NEXT or an END has been given when a browse of this resource type is not in progress
	NOTAUTH	100	The user associated with the issuing task is not authorized to use this command
	TERMIDERR	1	The named terminal cannot be found
INQUIRE TRACEDEST	NOTAUTH	100	The user associated with the issuing task is not authorized to use this command
INQUIRE TRACEFLAG	NOTAUTH	100	The user associated with the issuing task is not authorized to use this command
INQUIRE TRACETYPE	NOTFND	1	CICS was initialized without support for at least one of the components listed in the command; trace levels were returned for all other components

RESP2 values

Command	Condition	RESP2	Meaning
	NOTAUTH	100	The user associated with the issuing task is not authorized to use this command
INQUIRE TRANCLASS	INVREQ	12	The TRANCLASS definition is in use
	NOTAUTH	100	The user associated with the issuing task is not authorized to use this command
		101	The user associated with the issuing task is not authorized to access the particular resource in the way required by this command
	TCIDERR	1	The transaction class cannot be found
INQUIRE TRANDUMPCODE	END	2	There are no more resource definitions of this type
	ILLOGIC	1	A START has been given when a browse is already in progress <u>or</u> a NEXT or an END has been given when a browse of this resource type is not in progress
	NOTAUTH	100	The user associated with the issuing task is not authorized to use this command
	NOTFND	1	The dump code cannot be found
INQUIRE TRANSACTION	END	2	There are no more resource definitions of this type
	ILLOGIC	1	A START has been given when a browse is already in progress <u>or</u> a NEXT or an END has been given when a browse if this resource type is not in progress

RESP2 values

Command	Condition	RESP2	Meaning
	TRANSIDERR	1	The transaction could not be found
	INVREQ	3	The TCLASS option has been specified in this INQUIRE command, and the transaction belongs to a class that is not one of the numbered classes DFHTCL00 through DFHTCL10
	NORMAL	10	The profile definition associated with the transaction is not available
	NOTAUTH	100	The user associated with the issuing task is not authorized to use this command
		101	The user associated with the issuing task is not authorized to access this particular resource in the way required by this command
INQUIRE TSMODEL	END	2	There are no more resource definitions of this type
	ILLOGIC	1	A START has been given when a browse is already in progress <u>or</u> a NEXT or an END has been given when a browse if this resource type is not in progress
	NOTFND	1	The TSMODEL does not exist
	NOTAUTH	100	The user associated with the issuing task is not authorized to use this command
		101	The user associated with the issuing task is not authorized to access this particular resource in the way required by this command

RESP2 values

Command	Condition	RESP2	Meaning
INQUIRE TSPOOL	END	2	There are no more resource definitions of this type
	ILLOGIC	1	A START has been given when a browse is already in progress <u>or</u> a NEXT or an END has been given when a browse if this resource type is not in progress
	NOTFND	1	The TSPOOL does not exist
	NOTAUTH	100	The user associated with the issuing task is not authorized to use this command
		101	The user associated with the issuing task is not authorized to access this particular resource in the way required by this command
INQUIRE TSQUEUE/TSQNAME	END	2	There are no more resource definitions of this type
	INVREQ	1	The specified SYSID does not exist in any TYPE=SHARED entry in the temporary storage table
		2	When INQUIRE TSQUEUE NEXT is specified, the NEXT queue to be browsed has a Queuename of more than 8 significant characters. The queue name is truncated, some significant characters are lost.
		4	This TSQNAME cannot be deleted as it was written by CICS using PUTQ macro

RESP2 values

Command	Condition	RESP2	Meaning
	ILLOGIC	1	A START has been given when a browse is already in progress, <u>or</u> a NEXT or an END has been given when a browse of this resource type is not in progress
	NOTAUTH	100	The user associated with the issuing task is not authorized to use this command
		101	The user associated with the issuing task is not authorized to access this particular resource in the way required by this command
	POOLERR	3	The POOLNAME does not exist
	QIDERR	1	The temporary storage queue cannot be found
	SYSIDERR	3	The SYSID does not map to a shared pool
		4	An error has occurred in the shared TS server
		5	An I/O error has occurred on the coupling facility
INQUIRE UOW	END	2	All authorized resource definitions have been retrieved. All data areas specified on this command are left unchanged
	ILLOGIC	1	A browse of this resource type is already in progress, <u>or</u> an INQUIRE UOW START command has not been issued
	UOWNOTFOUND	1	A named UOW cannot be found
	NOTAUTH	100	A use of this command is not authorized
INQUIRE UOWDSNFAIL	END	2	There are no more UOW/data set pairs

RESP2 values

Command	Condition	RESP2	Meaning
	ILLOGIC	1	A START has been given when a browse is already in progress, or a NEXT has been given without a preceding START
	NOTAUTH	100	A use of this command is not authorized
INQUIRE UOWENQ	END	2	All enqueues have been retrieved
	ILLOGIC	1	<ul style="list-style-type: none"> • For INQUIRE UOQENQ START - a browse of this resource is already in progress • For INQUIRE UOWENQ NEXT and INQUIRE UOWENQ END - an INQUIRE UOWENQ START command has not been issued
	UOWNOTFOUND	1	The named UOW cannot be found
	NOTAUTH	100	A use of this command is not authorized
INQUIRE UOWLINK	END	2	All authorized resource definitions have been retrieved
	ILLOGIC	1	<ul style="list-style-type: none"> • For INQUIRE UOQLINK START - a browse of this resource is already in progress • For INQUIRE UOWLINK NEXT and INQUIRE UOWLINK END - an INQUIRE UOWLINK START command has not been issued
	UOWLNOTFOUND	1	The named UOW-link cannot be found
	UOWNOTFOUND	1	The named UOW cannot be found
	NOTAUTH	100	A use of this command is not authorized

RESP2 values

Command	Condition	RESP2	Meaning
INQUIRE VOLUME	VOLIDERR	1	The program has issued an INQUIRE VOLUME browse command. This command is withdrawn
INQUIRE VTAM	INVREQ	1	VTAM is not present in the system
	NOTAUTH	100	The user associated with the issuing task is not authorized to use this command
INQUIRE WEB	INVREQ	11	An invalid value was supplied for one of the options
	NOTAUTH	100	The user associated with the issuing task is not authorized to use this command
ISSUE ABEND	INVREQ	200	A distributed program link server application specified the function-shipping session (its principal facility) on the CONVID option
ISSUE ABORT	INVREQ	200	A distributed program link server application specified the function-shipping session (its principal facility) on the CONVID option
ISSUE ADD	INVREQ	200	A distributed program link server application specified the function-shipping session (its principal facility) on the CONVID option
ISSUE CONFIRMATION	INVREQ	200	A distributed program link server application specified the function-shipping session (its principal facility) on the CONVID option

RESP2 values

Command	Condition	RESP2	Meaning
ISSUE END	INVREQ	200	A distributed program link server application specified the function-shipping session (its principal facility) on the CONVID option
ISSUE ENDFILE	INVREQ	200	A distributed program link server application attempted to send on its function-shipping session, its principal facility
ISSUE ENDOUTPUT	INVREQ	200	A distributed program link server application attempted to send on its function shipping session, its principal facility
ISSUE EODS	INVREQ	200	A distributed program link server application attempted to send on its function shipping session, its principal facility
ISSUE ERASE	INVREQ	200	A distributed program link server application specified the function-shipping session (its principal facility) on the CONVID option
ISSUE ERASEAUP	INVREQ	200	A distributed program link server application specified the function-shipping session (its principal facility) on the CONVID option
ISSUE ERROR	INVREQ	200	A distributed program link server application specified the function-shipping session on the CONVID option

RESP2 values

Command	Condition	RESP2	Meaning
ISSUE NOTE	INVREQ	200	A distributed program link server application specified the function-shipping session (its principal facility) on the CONVID option
ISSUE PREPARE	INVREQ	200	A distributed program link server application specified the function-shipping session (its principal facility) on the CONVID option
ISSUE PRINT	INVREQ	200	A distributed program link server application specified the function-shipping session (its principal facility) on the CONVID option
ISSUE QUERY	INVREQ	200	A distributed program link server application specified the function-shipping session (its principal facility) on the CONVID option
ISSUE RECEIVE	INVREQ	200	A distributed program link server application specified the function-shipping session (its principal facility) on the CONVID option
ISSUE REPLACE	INVREQ	200	A distributed program link server application specified the function-shipping session (its principal facility) on the CONVID option
ISSUE RESET	INVREQ	200	A distributed program link server application specified the function-shipping session (its principal facility) on the CONVID option

RESP2 values

Command	Condition	RESP2	Meaning
ISSUE SEND	INVREQ	200	A distributed program link server application specified the function-shipping session (its principal facility) on the CONVID option
ISSUE SIGNAL (APPC)	INVREQ	200	A distributed program link server application specified the function-shipping session (its principal facility) on the CONVID option
ISSUE WAIT	INVREQ	200	A distributed program link server application specified the function-shipping session (its principal facility) on the CONVID option
LINK	INVREQ	8	A LINK command with the INPUTMSG option is issued for a program that is not associated with a terminal, or that is associated with an APPC logical unit, or an IRC session
		14	The SYNCONRETURN option is specified but the program issuing the link request (the client program) is already in conversation with a mirror task (that is, a logical unit-of-work (LUW) is in progress) in the remote region specified on the SYSID option. In this case, the client program is in an incorrect state to support the SYNCONRETURN option

RESP2 values

Command	Condition	RESP2	Meaning
		15	The program issuing the link request is already in conversation with a mirror task and the TRANSID specified is different from the transaction identifier of the active mirror
		16	The TRANSID specified is all blanks
		19	A LINK command with the INPUTMSG option is issued for a program that is the subject of a DPL request; that is, SYSID is also specified
		30	The program manager domain has not yet been initialized. This is probably due to a link request having been made in a first stage PLT
	LENGERR	11	The COMMAREA length is less than 0 or greater than 32767
		12	The length specified on the DATALENGTH option is a negative value
		13	The length specified on the DATALENGTH option is greater than the length specified on the LENGTH option
		26	The COMMAREA address is zero, but the COMMAREA length is non zero
		27	The INPUTMSG length < 0 or > 32767
	NOTAUTH	101	A resource security check has failed on PROGRAM(name)

RESP2 values

Command	Condition	RESP2	Meaning
	PGMIDERR	1	A program has no entry in the PPT and either program autoinstall was switched off, or the program autoinstall control program indicated that the program should not be autoinstalled
		2	A program is disabled
		3	A program cannot be loaded because <ul style="list-style-type: none"> • This was the first load of the program and the program load failed, usually because the load module could not be found • This was a subsequent load of the program, but the first load failed <p>In order to reset the load status the load module must be in the DFHRPL concatenation, and a SET PROGRAM NEWCOPY will be required</p>
		21	The program autoinstall control program failed either because the program autoinstall control program is incorrect, incorrectly defined, or as a result of an abend in the program autoinstall control program. Program autoinstall is disabled and message DFHPG0202 or DFHPG0203 written to the CSPL
		22	The model returned by the program autoinstall control program is not defined in the PPT table, or is not enabled

RESP2 values

Command	Condition	RESP2	Meaning
		23	The program autoinstall control program returned invalid data
		24	Define for the program failed due to autoinstall returning an invalid program name or definition
	ROLLEDBACK	29	The SYNCONRETURN was specified and the server program was unable successfully to take a syncpoint. The server program has taken a rollback, and all changes made to recoverable resources in the remote region, within the current UOW, are backed out
	SYSIDERR	18	The SYSID specified cannot be found in the intersystem table, or the link to the specified system is unavailable
		20	The remote system specified by SYSID is an LUTYPE6.1-connected system. Distributed program link requests are not supported on LUTYPE6.1 connections
	TERMERR	17	An unrecoverable error occurred during the conversation with the mirror (for example, the session failed or the server region failed)
LOAD	INVREQ	30	The program manager domain has not yet been initialized. This is probably due to a load request having been made in a first stage PLT

RESP2 values

Command	Condition	RESP2	Meaning
	LENGERR	19	LENGTH is used and the length of the loaded program is not less than 32KB
	NOTAUTH	101	A resource security check has failed on PROGRAM(name)
	PGMIDERR	1	A program, table, or map has no entry in the PPT and either program autoinstall was switched off, or the program autoinstall control program indicated that the program should not be autoinstalled
		2	A program is disabled
		3	A program cannot be loaded because <ul style="list-style-type: none"> • This was the first load of the program and the program load failed, usually because the load module could not be found • This was a subsequent load of the program, but the first load failed
		9	In order to reset the load status the load module must be in the DFHRPL concatenation, and a SET PROGRAM NEWCOPY will be required The installed program definition is for a remote program

RESP2 values

Command	Condition	RESP2	Meaning
		21	The program autoinstall control program failed either because the program autoinstall control program is incorrect, incorrectly defined, or as a result of an abend in the program autoinstall control program. Program autoinstall is disabled and message DFHPG0202 or DFHPG0203 written to the CSPL
		22	The model returned by the program autoinstall control program was not defined in the PPT table, or was not enabled
		23	The program autoinstall control program returned invalid data
		24	Define for the program failed due to autoinstall returning an invalid program name or definition
MONITOR	INVREQ	1	POINT value is outside the range 1–255
		2	POINT value is not defined in the MCT
		3	DATA1 value is not valid
		4	DATA2 value is not valid
		5	DATA1 value not specified for an MCT operation that required it
		6	DATA2 value not specified for an MCT operation that required it
PERFORM DELETSHIPED	NOTAUTH	100	The user associated with the issuing task is not authorized to use this command

RESP2 values

Command	Condition	RESP2	Meaning
PERFORM DUMP	SUPPRESSED	1	The dump was not taken because the number of dumps with this dump code exceeds the maximum for the code
		2	The dump was not taken because the system dump table entry for this code indicates no system dump
		3	The dump was not taken because it was suppressed by a user exit program
		8	The dump was not taken because system dumps are suppressed globally
	NOSPACE	4	The dump is incomplete due to lack of dump data-set space
	NOSTG	5	CICS cannot complete the dump because of insufficient storage
	INVREQ	6	TITLELENGTH is greater than 80 bytes
		7	CALLERLENGTH is greater than 8 bytes
		13	The DUMPCODE contains leading or imbedded blanks
	IOERR	9	CICS is not authorized by MVS to take dumps
		10	An error occurs during system dumping
		12	MVS cannot process the dump because there is no dump data set or because it is full
		13	An error occurred in the CICS routine that issues MVS SDUMP requests
SYSBUSY	11	The MVS dump routine is busy. Retry the command	
NOTAUTH	100	The user associated with the issuing task is not authorized to use this command	

RESP2 values

Command	Condition	RESP2	Meaning
PERFORM ENDAFFINITY	INVREQ	25	The connection is still in service
		26	There may be recovery information outstanding for the connection. RECOVSTATUS has a value other than NORECOVDATA
		32	See message DFHZC0178. VTAM could not end the affinity for a reason other than 35 (NOTFOUND) or 36 (SESSIONS ACTIVE)
		34	Enter NETID. NETID was not specified, and cannot be obtained from the installed connection. This may be because the connection does not exist, or because it does not contain a NETID value
		35	VTAM could not find an affinity for the values input
		36	VTAM could not end the affinity because the connection had some sessions active
		37	See message DFHZC0176. A VTAM error prevented the CHANGE AFFINITY macro being carried out
		PERFORM RESETTIME	INVREQ
NOTAUTH	100		The user associated with the issuing task is not authorized to use this command
PERFORM SECURITY REBUILD	INVREQ	1	No ESM is installed, or the ESM is inactive
		5	The ESM is temporarily inactive and cannot perform the action requested

RESP2 values

Command	Condition	RESP2	Meaning	
	IOERR	3	Error returned from ESM. The return code is in ESMRESP, if the option was used	
	NOTAUTH	100	The user associated with the issuing task is not authorized to use this command	
	NORMAL	0	Profiles have been refreshed	
		4	No action is required, because RACF is at Version 2.1 (or later), and so profiles are refreshed automatically	
	SYSBUSY	3	A security rebuild is currently in progress	
PERFORM SHUTDOWN	INVREQ	1	A normal shutdown has been requested when shutdown was already in progress	
		2	The XLT cannot be found	
		3	The PLT cannot be found	
		4	XRF is not in effect	
		5	The transaction specified on SDTRAN is not enabled for shutdown	
		6	The transaction specified on SDTRAN is not defined as remote	
		7	The transaction specified on SDTRAN is not enabled	
		TRANSIDERR	1	The shutdown transaction specified on SDTRAN was not found
		NOTAUTH	100	The user associated with the issuing task is not authorized to use this command

RESP2 values

Command	Condition	RESP2	Meaning
PERFORM STATISTICS RECORD	IOERR	n	Statistics for at least one of the options chosen were not available; usually the reason for this error is corruption of the memory in which they are accumulated. (See below)
	NOTAUTH	100	The user associated with the issuing task is not authorized to use this command
	NOTFND	n	Statistics for at least one of the options chosen were not available because CICS was initialized without support for the function. (See below)
			<p>The values of "n" are as follows:</p> <ul style="list-style-type: none"> 1 AUTOINSTALL 2 CONNECTION 3 DISPATCHER 6 FILE 8 JOURNALNUM and JOURNALNAME 10 LSRPOOL 11 MONITOR 12 PROGRAM 13 STATS 14 STORAGE 15 SYSDUMP 16 TABLEMGR 18 TCLASS, TRANCLASS 19 TDQUEUE 20 TERMINAL 21 TRANDUMP 22 TRANSACTION 23 TSQUEUE 24 VTAM 25 FEPI 26 PROGAUTO 28 ENQUEUE 29 RECOVERY 30 STREAMNAME

RESP2 values

Command	Condition	RESP2	Meaning
POST	INVREQ	4	Hours are out of range
		5	Minutes are out of range
		6	Seconds are out of range
PURGE MESSAGE	INVREQ	200	The command was called in a distributed program link server program
QUERY SECURITY	NOTFND	1	The RESID is not valid
		2	The RESTYPE is not valid
		3	The RESID value for RESTYPE (SPCOMMAND) is not valid
		5	The RESCLASS is not defined to the external security manager (ESM)
		8	The resource is not protected
		Possible causes include	
		<ul style="list-style-type: none"> • RESCLASS not active • No profile found • ESM not active 	
		QIDERR	1
	LENGERR	6	The RESIDLENGTH value is not valid, that is, not in the range 1–246
	INVREQ	7	The CVDA value is not valid for the LOGMESSAGE
9		The RESID is invalid or filled with blanks	
10		The external security manager (ESM) is inactive or not present	
FILENOTFOUND		1	The file name referred to in the FILE option cannot be found in the FCT

RESP2 values

Command	Condition	RESP2	Meaning
	LENGERR	10	Neither the LENGTH nor SET options have been specified on a READ command for a file with variable-length records or for a BDAM file with variable-length or undefined-format records
		11	The length of a record read with the INTO option specified exceeds the value specified in the LENGTH option; the record is truncated, and the data area supplied in the LENGTH option is set to the actual length of the record
		13	An incorrect length is specified for a file with fixed-length records
	INVREQ	20	Read is not allowed according to the file entry specification in the FCT <u>or</u> a read command with the UPDATE option has been issued to a file where update operations are not allowed according to the file entry specification in the FCT
		25	The KEYLENGTH and GENERIC options are specified and the length specified in the KEYLENGTH option is greater than or equal to the length of a full key
		26	The KEYLENGTH option is specified (but the GENERIC option is not specified), and the specified length does not equal the length defined for the data set to which this file refers

RESP2 values

Command	Condition	RESP2	Meaning
		28	Following a READ UPDATE command for a file, another READ UPDATE command is issued for a file referencing the same data set before exclusive control is released by a REWRITE, UNLOCK, or DELETE command
		40	A BDAM key conversion error occurred
		42	The KEYLENGTH and GENERIC options are specified, and the length specified in the KEYLENGTH option is less than or equal to zero
		44	The command does not conform to the format of READ for a user-maintained table; for example if GTEQ is specified with UPDATE
		51	A READ to a KSDS file that was being accessed in RLS mode specified the RBA keyword. RLS mode does not support relative byte address access to KSDS data sets
		52	A READ request to a non-RLS file specified CONSISTENT
		53	A READ request to a non-RLS file specified REPEATABLE
		55	A READ request to a non-RLS file specified NOSUSPEND, which is not allowed because the file is not a VSAM file accessed in RLS mode

RESP2 values

Command	Condition	RESP2	Meaning
	DISABLED	50	A file was initially defined as disabled and has not since been enabled <u>or</u> it has been disabled by an EXEC CICS SET FILE or the CEMT SET FILE command
	NOTOPEN	60	The requested file is CLOSED and UNENABLED <u>or</u> the requested file is OPEN and in use by other transactions, but a CLOSE request against it has been received <u>or</u> a READ command has been issued against a data set that is quiesced, or is being quiesced, as a result of a SET DSNAME QUIESCED or IMMQUIESCED command
	ISCINVREQ	70	The remote system indicated a failure that does not correspond to a known condition
	NOTFND	80	An attempt to retrieve a record based on the search argument provided is unsuccessful <u>or</u> , for user-maintained data tables, an attempt to read a record is unsuccessful because there is no entry with the specified key in the data table
	NOTAUTH	101	A resource security check has failed on FILE(filename)

RESP2 values

Command	Condition	RESP2	Meaning
	LOADING	104	A READ UPDATE has been issued for a user-maintained data table that is currently being loaded <u>or</u> a READ GENERIC has been issued for a user-maintained data table that is currently being loaded
	LOCKED	106	An attempt has been made to read a record either specifying the UPDATE keyword, or specifying (explicitly or implicitly) CONSISTENT or REPEATABLE, but the record was locked by a retained lock
	RECORDBUSY	107	The NOSUSPEND keyword was specified and the record was locked by an active lock
	ILLOGIC	110	A VSAM error has occurred which does not fall within one of the other CICS response categories
	IOERR	120	There has been an I/O error during the READ operation
	SYSIDERR	130	The SYSID option specified a name that is neither the local nor the remote system (made known to CICS by defining a CONNECTION); <u>or</u> the link to the remote system is closed.
	DUPKEY	140	A record has been retrieved by way of an alternate index with the NONUNIQUEKEY attribute, and another alternate index record with the same key follows.

RESP2 values

Command	Condition	RESP2	Meaning	
READNEXT	FILENOTFOUND	1	The file name referred to in the FILE option cannot be found in the FCT	
	LENGERR	10	Neither the LENGTH nor SET options have been specified for a file with variable-length records or for a BDAM file with undefined-format records	
		11	The length of a record read with the INTO option specified exceeds the value specified in the LENGTH option; the record is truncated, and the data areas supplied in the LENGTH option is set to the actual length of the record	
		13	An incorrect length is specified for a file with fixed-length records	
	INVREQ	20	The FILE definition does not allow updates	
	INVREQ	25		The KEYLENGTH option is specified for a generic browse (that is one where GENERIC was specified on the STARTBR or the last RESETBR) and the value of KEYLENGTH was greater than the full key length
			26	The KEYLENGTH option is specified for a nongeneric browse, and the specified length does not equal the length defined for the data set to which this file refers
		34	The REQID, if any, does not match that of any successful STARTBR command	

RESP2 values

Command	Condition	RESP2	Meaning
		37	The type of record identification used to access a data set during the browse is changed by the READNEXT command
		42	The KEYLENGTH option is specified for a generic browse (that is one where GENERIC was specified on the STARTBR or the last RESETBR) and the value of KEYLENGTH is less than zero
		52	CONSISTENT is not allowed because the file is not a VSAM file that is accessed in RLS mode
		53	REPEATABLE is not allowed because the file is not a VSAM file that is accessed in RLS mode
		54	UPDATE is not allowed because the file is not a VSAM file that is accessed in RLS mode
		55	NOSUSPEND is not allowed because the file is not a VSAM file that is accessed in RLS mode
	ISCINVREQ	70	The remote system indicated a failure that does not correspond to a known condition
	NOTFND	80	An attempt to retrieve a record based on the search argument provided is unsuccessful
	ENDFILE	90	An end-of-file condition has been detected during a browse
	NOTAUTH	101	A resource security check has failed on FILE(filename)

RESP2 values

Command	Condition	RESP2	Meaning
	LOCKED	106	The read request specified the UPDATE keyword, or one of the read integrity keywords CONSISTENT or REPEATABLE, or the file resource definition specified read integrity, but VSAM held a retained lock against the record
	RECORDBUSY	107	NOSUSPEND was specified on the request but VSAM held an active lock against the record, which would cause the request to wait
	ILLOGIC	110	A VSAM error has occurred which does not fall within one of the other CICS response categories
	IOERR	120	There has been an I/O error during the READNEXT command
	SYSIDERR	130	The SYSID option specifies a name that is neither the local nor the remote system (made known to CICS by defining a CONNECTION); or the link to the remote system is closed.
	DUPKEY	140	A record has been retrieved by way of an alternate index with the NONUNIQUEKEY attribute, and another alternate index record with the same key follows
READPREV	FILENOTFOUND	1	The file name referred to in the FILE option cannot be found in the FCT
	LENGERR	10	Neither the LENGTH nor SET options have been specified for a file with variable-length records

RESP2 values

Command	Condition	RESP2	Meaning
		11	The length of a record read with the INTO option specified exceeds the value specified in the LENGTH option; the record is truncated, and the data area supplied in the LENGTH option is set to the actual length of the record
		13	An incorrect length is specified for a file with fixed-length records
	INVREQ	20	The FILE definition does not allow updates
		24	A READPREV command is issued for a file for which the previous STARTBR or RESETBR command has the GENERIC option
		26	The KEYLENGTH option is specified and the specified length does not equal the length defined for the data set this file refers to
		37	The type of record identification used to access a data set during the browse is changed
		39	A READPREV is issued for a BDAM file
		41	The REQID, if any, does not match that of any successful STARTBR command
		52	CONSISTENT is not allowed because the file is not a VSAM file that is accessed in RLS-mode
		53	REPEATABLE is not allowed because the file is not a VSAM file that is accessed in RLS-mode

RESP2 values

Command	Condition	RESP2	Meaning
		54	UPDATE is not allowed because the file is not a VSAM file that is accessed in RLS-mode
		55	NOSUSPEND is not allowed because the file is not a VSAM file that is accessed in RLS-mode
	ISCINVREQ	70	The remote system indicated a failure that does not correspond to a known condition
	NOTFND	80	An attempt to retrieve a record based on the search argument provided is unsuccessful
	ENDFILE	90	An end-of-file condition has been detected during a browse
	NOTAUTH	101	A resource security check has failed on FILE(filename)
	LOCKED	106	The read request specified the UPDATE keyword, or one of the read integrity keywords CONSISTENT or REPEATABLE, or the file resource definition specified read integrity, but VSAM held a retained lock against the record
	RECORDBUSY	107	NOSUSPEND was specified on the request but VSAM held an active lock against the record, which would cause the request to wait
	ILLOGIC	110	A VSAM error has occurred which does not fall within one of the other CICS response categories
	IOERR	120	There has been an I/O error during the browse

RESP2 values

Command	Condition	RESP2	Meaning
	SYSIDERR	130	The SYSID option specified a name that has not been defined to CICS as a remote system (defined by defining a CONNECTION); or the link to the remote system is closed.
	DUPKEY	140	A record has been retrieved by way of an alternate index with the NONUNIQUEKEY attribute, and another alternate index record with the same key exists
RECEIVE	INVREQ	200	A distributed program link server application specified the function-shipping session (its principal facility) on the CONVID option
RELEASE	PGMIDERR	1	A program, table, or map has no entry in the PPT
		2	A program, table, or map is disabled
		9	The installed program definition is for a remote program
	INVREQ	5	An invalid attempt has been made by a program to release itself
		6	A RELEASE command has been issued for a program that is not loaded
		7	A RELEASE command has been issued for a program that is loaded, without the HOLD option, by another task
		17	A program has been defined with RELOAD=YES. It must be released by a FREEMAIN rather than a RELEASE command

RESP2 values

Command	Condition	RESP2	Meaning
		30	The program manager domain has not yet been initialized
RESETBR	FILENOTFOUND	1	The file name referred to in the FILE option cannot be found in the FCT
	INVREQ	25	The KEYLENGTH and GENERIC options are specified and the length specified in the KEYLENGTH option is greater than or equal to the length of a full key
		26	The KEYLENGTH option is specified (but the GENERIC option is not specified), and the specified length does not equal the length defined for the data set to which this file refers
		36	The REQID, if any, does not match that of any successful STARTBR command
		42	The KEYLENGTH and GENERIC options are specified, and the length specified in the KEYLENGTH option is less than zero
		51	A RESETBR command to a KSDS file that was being accessed in RLS mode specified the RBA keyword. RLS mode does not support RBA access to KSDS data sets
	ISCINVREQ	70	The remote system indicated a failure that does not correspond to a known condition
	NOTFND	80	An attempt to retrieve a record based on the search argument provided has been unsuccessful

RESP2 values

Command	Condition	RESP2	Meaning
	NOTAUTH	101	A resource security check has failed on FILE(filename)
	ILLOGIC	110	A VSAM error has occurred which does not fall within one of the other CICS response categories
	IOERR	120	There has been an I/O error during the file control operation
	SYSIDERR	130	The SYSID option specified a name that is neither the local nor the remote system (made known to CICS by defining a CONNECTION); <u>or</u> the link to the remote system is closed.
RESYNC ENTRYNAME	NOTAUTH	100	The user associated with the issuing task is not authorized to use this command
RETURN	INVREQ	1	A RETURN command with the TRANSID option has been issued by a program that is not associated with a terminal
		2	A RETURN command with the COMMAREA or IMMEDIATE option has been issued in a program that is not at the highest logical level
		4	A RETURN command with the TRANSID option has been issued in a program that is associated with an APPC logical unit

RESP2 values

Command	Condition	RESP2	Meaning
		8	A RETURN command with the INPUTMSG option has been issued for a program that is not associated with a terminal, or that is associated with an APPC logical unit, or an IRC session
		30	PG domain is not initialized. Parameters are not allowed on the EXEC RETURN statement in first stage PLT programs
		200	A RETURN command has been issued with an INPUTMSG option in a program invoked by DPL
	LENGERR	11	The COMMAREA length is less than 0 or greater than 32763
		26	The COMMAREA ADDRESS passed was zero, but the commarea length was non-zero
		27	The INPUTMSG LENGTH was less than 0 or greater than 32767
REWRITE	FILENOTFOUND	1	The file name referred to in the FILE option cannot be found in the FCT
	LENGERR	10	The length option has not been specified for a file with variable-length records, <u>or</u> for a BDAM file with undefined format records
		12	The length specified exceeds the maximum record size
		14	An incorrect length is specified for a file with fixed-length records

RESP2 values

Command	Condition	RESP2	Meaning
	INVREQ	30	A REWRITE command has been issued without a token and no previous READ for UPDATE (also without a token) can be found
		46	A REWRITE command has attempted to change the length of a BDAM variable length record or block
		47	A REWRITE instruction included a token whose value cannot be matched against any token in use for an existing READ for UPDATE request
		55	NOSUSPEND is not allowed because the file is not a VSAM file accessed in RLS mode
		70	The remote system indicated a failure that does not correspond to a known condition
	NOSPACE	100	No space is available on the direct access device for adding the updated record to the data set
		103	For user-maintained data tables, CICS is unable to get sufficient storage in the CICS address space to store the updated data table entry
	NOTAUTH	101	A resource security check has failed on FILE(filename)

RESP2 values

Command	Condition	RESP2	Meaning
	LOCKED	106	When updating a record via a base key or an alternate key, an attempt was made to modify an alternate key contained within the record (not the key by which the update was made) and the new value of the alternate key is the subject of a retained lock held by another transaction
	RECORDBUSY	107	The NOSUSPEND keyword was specified and the record was found to be locked by an active lock in VSAM
	ILLOGIC	110	A VSAM error has occurred which does not fall within one of the other CICS response categories
	IOERR	120	There has been an I/O error during the file control operation
	SYSIDERR	130	The SYSID option specified a name that is neither the local nor a remote system (made known to CICS by defining a CONNECTION); <u>or</u> the link to the remote system is closed.
	DUPREC	150	An attempt has been made to rewrite a record to a data set whose upgrade set has an alternate index with the UNIQUEKEY attribute, if the corresponding alternate key already exists in the alternate index
ROUTE	INVREQ	4	Hours are out of range
		5	Minutes are out of range
		6	Seconds are out of range

RESP2 values

Command	Condition	RESP2	Meaning
		200	BMS commands are not supported for distributed program link
SEND	INVREQ	200	A distributed program link server application has attempted to send on its function-shipping session (its principal facility) <u>or</u> , for SEND (APPC), a distributed program link server application has specified the function-shipping session (its principal facility) on the CONVID option
SEND CONTROL	INVREQ	200	A distributed program link server application has attempted to send on its function-shipping session (its principal facility)
SEND MAP	INVREQ	200	Command is not allowed for a distributed program link server program
SEND PAGE	INVREQ	200	Command is not allowed for a distributed program link server program
SEND PARTNSET	INVREQ	200	Command is not allowed for a distributed program link server program
SEND TEXT	INVREQ	200	Command is not allowed for a distributed program link server program
SEND TEXT MAPPED	INVREQ	200	A distributed program link server application has specified the function-shipping session (its principal facility) on the CONVID option

RESP2 values

Command	Condition	RESP2	Meaning
SEND TEXT NOEDIT	INVREQ	200	Command is not allowed for a distributed program link server program
SET AUTOINSTALL	INVREQ	1	VTAM is not in use in this system
		2	The MAXREQS value is not in the range 0–999
		4	One of the modules invoked by DFHZATDX (DFHZATA and DFHZATD) cannot be found
	NOTAUTH	100	The user associated with the issuing task is not authorized to use this command
	PGMIDERR	3	The program name cannot be found
SET CONNECTION	INVREQ	1	ACQSTATUS CONNSTATUS was specified for a non-APPC connection
		2	<ol style="list-style-type: none"> 1. ACQUIRED specified with OUTSERVICE 2. ACQUIRED specified for OUTSERVICE connection 3. OUTSERVICE specified for ACQUIRED connection
		3	ACQSTATUS CONNSTATUS has an invalid CVDA value
		4	SERVSTATUS has an invalid CVDA value
		5	PENDSTATUS or NOTPENDING was specified for a connection that is not APPC or IRC
		6	PURGE was specified for connection that is not VTAM
		7	PURGETYPE has an invalid CVDA value
		8	PENDSTATUS has an invalid CVDA value

RESP2 values

Command	Condition	RESP2	Meaning
		11	SET command named a remote connection
		12	EXITTRACING has an invalid CVDA
		13	ZCPTRACING has an invalid CVDA
		14	EXITTRACING ZCPTRACING specified for a non-VTAM connection or VTAM not initialized
		16	The resource whose name was specified by CONNECTION(data-value) is an indirect link
		17	ACQSTATUS CONNSTATUS cannot be set when system initialized with ISC=NO
		18	NOTPENDING cannot be set for a connection which has successfully completed Exchange Lognames processing
		19	CONNSTATUS cannot be set to ACQUIRED when in the FREEING state
		20	COMMIT, BACKOUT, or FORCE is not valid for this type of connection
		21	BACKOUT or FORCE was specified, but was unsuccessful. Some UOWs remain shunted for this connection
		22	Other SET parameters were included with the CANCEL or FORCECANCEL option
		23	The resource whose name was specified by CONNECTION(name) is the local TCT system entry (TCTSE)
		25	Connection is still in service

RESP2 values

Command	Condition	RESP2	Meaning
		26	RECOVSTATUS does not have a value of NORECOVDATA.
		30	ENDAFFINITY is invalid Wrong connection type for ENDAFFINITY. Affinities can exist only on LU6.1 and LU6.2 connections
		31	User PERFORM ENDAFFINITY. The NETID could not be obtained from the installed connection. Therefore, to end affinity you must use the PERFORM ENDAFFINITY command
		32	See message DFHZC0178. VTAM could not end the affinity for a reason other than 35 (NOTFOUND) or 36 (SESSIONS ACTIVE)
		35	VTAM could not find an affinity for this connection
		36	VTAM could not end the affinity because the connection had some sessions active
		37	See message DFHZC0176. A VTAM error prevented the CHANGE ENDAFFIN macro being carried out
		44	GRSTATUS is not set to REGISTERED or DEREGISTERED
		45	NORECOVDATA cannot be set for a connection that is in service
		46	NORECOVDATA was specified for a non-APPC connection
	SYSIDERR	9	The named connection could not be found
	IOERR	10	Unexpected error
	NORMAL	58	AIDs are successfully canceled
	NORMAL	59	No AIDs are canceled

RESP2 values

Command	Condition	RESP2	Meaning
	NOTAUTH	100	The user associated with the issuing task is not authorized to use this command
SET DB2CONN	INVREQ	1	Invalid ACCOUNTREC value
		2	Invalid AUTHTYPE value
		3	Invalid BUSY value
		4	Invalid COMAUTHTYPE value
		5	Invalid CONNECTERROR value
		6	Invalid CONNECTST value
		7	Invalid NONTERMREL value
		9	Invalid PRIORITY value
		10	Invalid SECURITY value
		11	Invalid STANDBYMODE value
		12	Invalid THREADWAIT value
		13	Bad characters in AUTHID
		14	Bad characters in COMAUTHID
		15	Bad characters in DB2ID
		16	Bad characters in MSGQUEUE1
		17	Bad characters in MSGQUEUE2
		18	Bad characters in MSGQUEUE3
		19	Bad characters in PLAN
		20	Bad characters in PLANEXITNAME
		21	Bad characters in SIGNID
		22	Bad characters in STATSQUEUE
		23	Both AUTHID and AUTHTYPE specified
		24	Both COMAUTHID and COMAUTHTYPE specified

RESP2 values

Command	Condition	RESP2	Meaning
		25	STANDBYMODE(NOCONNECT) and CONNECTERROR(SQLCODE) specified or CONNECTERROR(SQLCODE) specified when STANDBYMODE is NOCONNECT
		26	Both PLAN and PLANEXITNAME specified
		27	Invalid ACCOUNTREC value
		28	COMTHREADLIM exceeds TCBLIMIT or COMTHREADLIM > 2000 or COMTHREADLIM < 0
		29	PURGE CYCLE is too low; that is, < 30 seconds 1. or PURGE CYCLE minutes < 0 2. or PURGE CYCLE seconds < 0 3. or PURGE CYCLE minutes > 59 4. or PURGE CYCLE seconds > 59
		32	TCBLIMIT > 2000 or TCBLIMIT < 4
		33	THREADLIMIT exceeds TCBLIMIT or THREADLIMIT > 2000 or THREADLIMIT < 3
		34	Already connected
		35	RCT suffix not allowed
		36	RCT suffix not found
		37	Wrong level RCT
		39	DB2 not active
		40	Insufficient authorization
		41	Connection error
		42	Invalid INIT parms
		43	DB2ID cannot be set, CONN active
		44	DB2CONN partially discarded
		45	RCT suffix invalid

RESP2 values

Command	Condition	RESP2	Meaning
		46	SET NOTCONNECTED when the FORCE or WAIT option has been specified, but this transaction is itself using the CICS DB2 interface
	NORMAL	38	Waiting for DB2 (may occur following a CONNECTST with a CVDA of CONNECT)
	NOTFND	1	There is no DB2TRAN currently installed with the specified name
	NOTAUTH	100	Command authorization failure
		101	Surrogate authorization failure
		102	AUTHTYPE authorization failure
SET DB2ENTRY	INVREQ	2	Invalid ACTION value
		3	Invalid AUTHTYPE value
		4	Invalid BUSY value
		5	Invalid ENABLESTATUS value
		7	Invalid PRIORITY value
		8	Invalid THREADWAIT value
		9	Bad characters in AUTHID
		10	Bad characters in PLAN
		11	Bad characters in PLANEXITNAME
		12	Both AUTHID and AUTHTYPE specified
		13	Both PLAN and PLANEXITNAME specified
		14	Entry is disabling
		15	PROTECTNUM greater than THREADLIMIT or PROTECTNUM < 0 or PROTECTNUM > 2000
		16	THREADWAIT must be TPOOL with THREADLIMIT=0

RESP2 values

Command	Condition	RESP2	Meaning
		17	THREADLIMIT > 2000 or THREADLIMIT < 0 or THREADLIMIT > TCBLIMIT
		18	Invalid ACCOUNTREC value
		19	SET DISABLED when the FORCE or WAIT option has been specified, but this transaction itself is using the DB2ENTRY
	NOTAUTH	100	Command authorization failure
		101	Resource authorization failure
		102	Surrogate authorization failure
		103	AUTHTYPE authorization failure
	NOTFND	1	There is no DB2ENTRY currently installed with the specified name
SET DB2TRAN	INVREQ	2	Bad characters in TRANSID name
		3	TRANSID already exists in another installed DB2TRAN
		4	Bad characters in DB2ENTRY name
	NOTAUTH	100	Command authorization failure
		101	Resource authorization failure
		102	Surrogate authorization failure
		103	AUTHTYPE authorization failure
	NOTFND	1	There is no DB2TRAN currently installed with the specified name
SET DELETSHIPED	INVREQ	1	INTERVAL value is invalid
		2	INTERVALHRS value is not in the range 0-99
		3	INTERVALMINS value is invalid
		4	INTERVALSECS value is invalid

RESP2 values

Command	Condition	RESP2	Meaning
		5	IDLE value is invalid
		6	IDLEHRS value is not in the range 0-99
		7	IDLEMINS value is invalid
		8	IDLESECS value is invalid
	NOTAUTH	100	The user associated with the issuing task is not authorized to use this command
SET DSNAME	DSNNOTFOUND	1	The named data set cannot be found
		15	RECOVERED was specified, but the data set was not found
	INVREQ	3	ACTION has an invalid CVDA value
		10	REMOVE was specified, but the data set is associated with a file definition
		12	REMOVE was specified with another option. If you specify remove, it must be the only option present on the command
		13	REMOVE was specified but a lock was held on the data set by another INQUIRE or SET DSNAME command, or by CICS file control processing.
		14	RECOVERED was specified but CICS is not configured to support "backup while open" (BWO). Check that you have a version of MVS/DFP, DFHSM, and DFDSS that support BWO
		16	RECOVERED was specified but the data set has not been opened during this CICS session, so the BWO attributes in the ICF catalog cannot be set

RESP2 values

Command	Condition	RESP2	Meaning
		17	RECOVERED was specified for a BDAM data set, or a VSAM path. This is not supported
		18	RECOVERED was specified for a VSAM base data set that had FCTs open. This is not allowed.
		19	RECOVERED was specified for an unknown data set, or the data set was not in the 'forward recovered' state
		29	QUIESCESTATE is specified, but the operation is not supported because DFSMS 1.3, or later, is not installed
		30	QUIESCESTATE has an invalid CVDA value
		31	BUSY has an invalid CVDA value
		33	AVAILABILITY has an invalid CVDA value data
		34	A QUIESCESTATE value of QUIESCED or IMMQUIESCED is specified, but is rejected either because q quiesce or unquiesce is already taking place, or because DFSMSdss is currently taking a backup copy of the data set
		36	A QUIESCESTATE value of UNQUIESCED is specified, but is rejected by RLS either because an unquiesce is already taking place, or because DFSMSdss is currently taking a backup copy of the data set

RESP2 values

Command	Condition	RESP2	Meaning
		39	AVAILABILITY, QUIESCESTATE, RESETLOCKS or RETRY is specified for a data set that is a BDAM data set
		40	The CICS control block (DSNB) describing the data set has been deleted (by the REMOVE option) by another task before CICS could process the SET command
		41	QUIESCESTATE is specified for a data set that is not known to DFSMS as a VSAM data set
		42	An invalid CVDA is specified for UOWACTION
		43	A QUIESCESTATE value of QUIESCED or IMMQUIESCED is specified without NOWAIT, and the issuing task has updated the data set, or is browsing the data set, in the same unit of work. This is not allowed because: <ul style="list-style-type: none"> • For QUIESCED this would result in a deadlock • For IMMQUIESCED this would result in the issuing task being purged
		44	A SET DSNAME REMOVE command has been issued by another task. This has been detected after this SET DSNAME command was issued, but before the AVAILABILITY option is processed
		46	FAILEDDBKOUT, which is obsolete, is specified

RESP2 values

Command	Condition	RESP2	Meaning
	IOERR	47	No file has been opened against the data set since the last cold start of this CICS region, or since the file definition was installed for the data set
		20	RECOVERED was specified but an error was raised on accessing the ICF catalog. Ensure that the specified data set is on an SMS managed DASD and is known to the SMS subsystem
		21	RECOVERED was specified but an error was raised by the CICS table manager program
		35	QUIESCESTATE is specified but the SMSVSAM server is not available
		40	QUIESCESTATE is specified, and an unexpected error occurred in DFSMS
		48	The specified operation cannot be completed because the data set is migrated. Recall the data set and re-issue the command
		49	An error was raised by DFSMS when reading the ICF Catalog to establish the base data set name

RESP2 values

Command	Condition	RESP2	Meaning
	SUPPRESSED	37	<p>A QUIESCESTATE value of QUIESCED or IMMQUIESCED is specified, but the quiesce of the data set is cancelled by another participating CICS region. This could be for one of the following reasons:</p> <ul style="list-style-type: none"> • A user issued a SET DSNAME UNQUIESCED command • AN XCFVSDS global user exit program suppressed the quiesce • AN XCFSREQ global user exit program suppressed the close of a file that is open against the data set
		38	<p>A QUIESCESTATE value of QUIESCED or IMMQUIESCED is specified, but the quiesce of the data set is cancelled by this CICS region because the quiesce operation timed out. This is probably due to a long-running transaction on another participating CICS region preventing the close of a file that is open against the data set</p>
	NOTAUTH	100	<p>The user associated with the issuing task is not authorized to use this command</p>
SET DUMPDS	INVREQ	1	<p>INITIALDDS has an invalid value</p>
		2	<p>SWITCHSTATUS has an invalid CVDA value</p>

RESP2 values

Command	Condition	RESP2	Meaning	
SET ENQMODEL	IOERR	3	OPENSTATUS has an invalid CVDA value	
		4	OPEN or SWITCH caused an error opening a data set	
	NOTAUTH	100	The user associated with the issuing task is not authorized to use this command	
	INVREQ	2	The attempt to enable/disable an ENQMODEL failed, because a more generic ENQMODEL is enabled	
		3	STATE has an invalid CVDA value	
	IOERR	4	The ENQMODEL is in the WAITING state	
	NOTFND	1	The specified ENQMODEL is not installed on this system	
	NOTAUTH	100	The user associated with the issuing task is not authorized to use this command	
	SET FILE	INVREQ	1	The named file is REMOTE
			2	The named file is not CLOSED
3			The named file is not DISABLED	
4			ADD has an invalid CVDA value	
5			BROWSE has an invalid CVDA value	
6			BUSY has an invalid CVDA value	
7			DELETE has an invalid CVDA value	
8			DISPOSITION has an invalid CVDA value	
9			EMPTYSTATUS has an invalid CVDA value	
10			LSRPOOLID was specified for a non-VSAM data set	

RESP2 values

Command	Condition	RESP2	Meaning
		11	LSRPOOLID is not in the range 1–8, or the corresponding buffer is not defined
		12	READ has an invalid CVDA value
		13	STRINGS value is not in the range 1–255, or this is not a VSAM file
		14	UPDATE has an invalid CVDA value
		16	OPENSTATUS has an invalid CVDA value
		17	ENABLESTATUS has an invalid CVDA value
		19	DELETE has been specified for a non-VSAM file
		20	EMPTYSTATUS has been specified for a non-VSAM file
		21	CLOSED or DISABLED has been specified, but this transaction has an incomplete request against the file
		22	ENABLED was specified for a file that is currently DISABLING or UNENABLING
		23	EXCLUSIVE has an invalid CVDA value
		24	EXCLUSIVE has been specified for a non-BDAM file.
		28	OPEN, CLOSE, ENABLE or DISABLE has been specified but an exit program running at exit point XFCREQ instructed CICS not to carry out the command
		29	TABLE has an invalid CVDA value
		30	MAXNUMREQS value is out of range

RESP2 values

Command	Condition	RESP2	Meaning
		31	The TABLE option is invalid for a BDAM file (must be VSAM for a data table.)
		32	The TABLE option is not valid for a file defined with the REUSE option
		33	The TABLE option is invalid for a file defined as UNBLOCKED
		34	The MAXNUMRECS option is invalid for a BDAM file (must be VSAM for a data table.)
		35	The MAXNUMRECS option is invalid for a file defined with the REUSE option
		36	The MAXNUMRECS option is invalid for a file defined as UNBLOCKED
		37	The TABLE option is invalid when LSRPOOL=0 is specified
		39	The USERTABLE option is invalid when record format is not variable
		40	CONSISTENT or REPEATABLE is specified for a file that is not accessed in RLS mode
		41	The DSNB cannot be disconnected for this file because the file has deferred work outstanding, for which there are retained locks. This means there is at least one shunted UOW, awaiting completion, that has made changes to this file

RESP2 values

Command	Condition	RESP2	Meaning
		42	The SET FILE request cannot be satisfied because the file has deferred work outstanding, for which there are retained locks. This means there is at least one shunted UOW, awaiting completion, that has made changes to this file. The only valid options when a file has deferred work pending are those that change the file state. File state changes are permitted because they may be required to enable the deferred work to be completed
		43	The file cannot be discarded because it has deferred work outstanding, for which there are retained locks. This means there is at least one shunted UOW, awaiting completion, that has made changes to this file
		44	A file open request cannot be satisfied because the file references a data set that has been marked as unavailable by a SET DSNAME UNAVAILABLE command
		45	A file open request cannot be satisfied because the file references an RLS-mode data set that has been quiesced by a SET DSNAME QUIESCED command

RESP2 values

Command	Condition	RESP2	Meaning
		46	A file open request cannot be satisfied because the file references an RLS-mode data set that is being copied by a DFSMSDss-initiated non-BWO backup
		47	A file open request cannot be satisfied because the file references an RLS-mode data set that is in the process of quiescing by a SET DSNAME QUIESCED command
		48	A file open request cannot be satisfied because the file references a data set for which its ICF Catalog entry indicates that a recovery is pending, or is in progress (for example, a CICSVR job is running)
		49	An invalid CVDA is specified for the READINTEG option
		50	An attempt has been made to open an RLS file when RLS is not supported
		51	An invalid CVDA is specified for the RLSACCESS option
		52	An attempt has been made to specify RLS access for a BDAM data set
		53	An attempt has been made to specify a CICS-maintained data table for a file defined with RLS access

RESP2 values

Command	Condition	RESP2	Meaning
		54	<p>A file open request cannot be satisfied because of one of the following reasons:</p> <ul style="list-style-type: none"> the file is being opened in RLS mode and this region has other files open in non-RLS mode against the data set which it references the file is being opened in non-RLS mode and this region has other files open in RLS mode against the data set which it references the file is being opened in non-RLS mode and this region has unresolved RLS recovery work against the data set which it references
		55	LOADTYPE has an invalid CVDA value
		56	UPDATEMODEL has an invalid CVDA value
		57	EMPTYSTATUS has a CVDA value that is not allowed for a coupling facility data table. EMPTYSTATUS must be NOEMPTYREQ for a coupling facility data table.
		58	CFDTPOOL is not specified for a file that refers to a coupling facility data table.
		59	KEYLENGTH is not specified for a file that refers to a coupling facility data table, and which specifies LOAD=NO
		60	An invalid KEYLENGTH is specified

RESP2 values

Command	Condition	RESP2	Meaning
		61	RECORDSIZE is not specified for a file that refers to a coupling facility data table that specifies LOAD=NO
		62	An invalid RECORDSIZE is specified
		63	Open is specified for a file that refers to a coupling facility data table, but OPEN processing has failed because: <ul style="list-style-type: none"> The file attributes do not match those specified when the CFDT was created, or A KEYLENGTH or RECORDSIZE has been specified that exceeds the maximum supported
		64	OPEN is specified for a file that refers to a coupling facility data table, but OPEN processing has failed because the server is not available
		65	An invalid CDFTPOOL name is specified
		66	An invalid TABLE name is specified
		67	An UPDATEMODEL of CONTENTION is specified for a recoverable coupling facility data table. The update model must be LOCKING for a coupling facility data table that is recoverable
	FILENOTFOUND	18	The named file cannot be found
	NOTAUTH	100	The user associated with the issuing task is not authorized to use this command

RESP2 values

Command	Condition	RESP2	Meaning
		101	The user associated with the issuing task is not authorized to access this particular resource in the way required by this command
	IOERR	*	OPEN has failed in VSAM, and the RESP2 field contains a VSAM response code
		*	CLOSE has failed in VSAM, and the RESP2 field contains a VSAM response code
SET IRC	INVREQ	1	A program required for IRC, DFHCRSP, is unavailable
		2	OPENSTATUS has an invalid CVDA value
		4	CICS was initialized without IRC support (ISC=NO)
		5	No connection has been defined
		6	The VTAM APPLID for this CICS is blanks; IRC requires a non-blank APPLID
		7	Another CICS using IRC has the same VTAM APPLID as this one; unique names are required
		8	IRC rejected the open of this CICS because it had already reached the maximum number of logons
		18	IRC support (the DFHIRP module) is below the level required by this CICS system
	NOSTG	9	CICS storage is insufficient for the request
		10	MVS storage is insufficient (SVC block request rejected)

RESP2 values

Command	Condition	RESP2	Meaning	
	IOERR	11	MVS storage is insufficient (SUBSYS block request rejected)	
		12	IRC initialization failed	
		13	The log on to IRC failed	
		14	An attempt to attach the node error transaction, CSNC, failed	
		15	An error occurred closing IRC	
	NOTAUTH	100	The user associated with the issuing task is not authorized to use this command	
	SET JOURNALNAME	JIDERR	1	The specified journal name was not found
			2	An error occurred during an attempt to define the log stream associated with the journal name, or the journal name was incorrectly specified
			3	The specified journal name refers to a DASD-only log stream to which a CICS region in another MVS image is currently connected.
		INVREQ	2	The request is invalid
3			The system log cannot be changed	
4			The ACTION option has an invalid CVDA value	
5			The STATUS option has an invalid CVDA value	
n			The ACTION option specifies FLUSH or REST for a journal that is not currently connected to a log stream	

RESP2 values

Command	Condition	RESP2	Meaning
	IOERR	6	Either the log stream associated with the journal name cannot be opened, or the journal cannot be opened, or an unrecoverable error has occurred during the flushing of the log buffer to the log stream
	NOTAUTH	100	The user associated with the issuing task is not authorized to use this command
		101	The user associated with the issuing task is not authorized to access this particular resource in the way required by this command
SET JOURNALNUM	JIDERR	1	There are no valid options supported by this command, which is obsolete. Use the SET JOURNALNAME command
SET MODENAME	SYSIDERR	1	The connection cannot be found
		2	The MODENAME within the connection cannot be found
	INVREQ	3	MODENAME 'SNASVCMG' was specified
	4	The AVAILABLE value is out of range	
	5	AVAILABLE was specified but CICS is not in session on this connection	
	6	CLOSED was specified with AVAILABLE	
	7	ACQSTATUS has an invalid CVDA value	
	8	This is not a parallel-session APPC group	

RESP2 values

Command	Condition	RESP2	Meaning
		9	ACQUIRED was specified but CICS is not in session on this connection
	NOTAUTH	100	The user associated with the issuing task is not authorized to use this command
SET MONITOR	INVREQ	1	STATUS has an invalid CVDA value
		2	PERFCLASS has an invalid CVDA value
		3	EXCEPTCLASS has an invalid CVDA value
		4	EVENTCLASS has an invalid CVDA value
		5	CONVERSEST has an invalid CVDA value
		6	SYNCPOINTST has an invalid CVDA value
		7	The FREQUENCY value is invalid <ul style="list-style-type: none"> Hours exceed 24, minutes or seconds exceed 59, or total value is out of range
		8	The FREQUENCYHRS value is out of range
		9	The FREQUENCYMIN value is out of range
		10	The FREQUENCYSEC value is out of range
	NOTAUTH	100	The user associated with the issuing task is not authorized to use this command
SET NETNAME	INVREQ	27	EXITTRACING has an invalid CVDA value
		29	The terminal is not a VTAM terminal
	NOTAUTH	100	The user associated with the issuing task is not authorized to use this command

RESP2 values

Command	Condition	RESP2	Meaning		
SET PROGRAM	INVREQ	1	DISABLED or DPLSUBSET was specified for a program beginning 'DFH'		
		2	STATUS has an invalid CVDA value		
		3	NEWCOPY was specified and RESCOUNT is not equal to zero		
		4	SHARESTATUS has an invalid CVDA value		
		5	COPY has an invalid CVDA value		
		6	COPY was specified for a module currently loaded with the HOLD option		
		9	CEDFSTATUS has an invalid CVDA value		
		17	You have specified an option that is invalid for a remote program (CEDFSTATUS, COPY, EXECUTIONSET or SHARESTATUS)		
		18	You have specified an option that is invalid for a map set (CEDFSTATUS or EXECUTIONSET)		
		19	You have specified an option that is invalid for a partition set (CEDFSTATUS or EXECUTIONSET)		
		20	EXECUTIONSET has an invalid CVDA		
			PGMIDERR	7	The program, map set, or partition set cannot be found
			IOERR	8	The COPY option was specified but CICS could not locate the module
			NOTAUTH	100	The user associated with the issuing task is not authorized to use this command

RESP2 values

Command	Condition	RESP2	Meaning
		101	The user associated with the issuing task is not authorized to access this particular resource in the way required by this command
SET STATISTICS	INVREQ	1	The INTERVAL value is out of range
		2	The ENDOFDAY value is out of range
		3	RECORDING has an invalid CVDA value
		4	The INTERVALHRS value is out of range
		5	The INTERVALMINS value is out of range
		6	The INTERVALSECS value is out of range
		7	More than one of the interval values has been used and the combination either exceeds 24 hours or is less than 1 minute
		8	The ENDOFDAYHRS value is out of range
		9	The ENDOFDAYMINS value is out of range
		10	The ENDOFDAYSECS value is out of range
		11	RESETNOW or RECORDNOW has been specified, but the RECORDING state has not been changed
	NOTAUTH	100	The user associated with the issuing task is not authorized to use this command
SET SYSDUMPCODE	NOTFND	1	The dump code cannot be found
	INVREQ	2	ACTION has an invalid CVDA value
		4	SYSDUMPING has an invalid CVDA value
		5	The MAXIMUM value is out of range

RESP2 values

Command	Condition	RESP2	Meaning
		6	SHUTOPTION has an invalid CVDA value
		7	REMOVE is specified with other options
		9	The dump code is invalid
		13	DUMPSCOPE has an invalid CVDA value
		14	RELATED requires MVS/ESA 5.1
		15	DAEOPTION has an invalid CVDA value
	DUPREC	10	ADD is specified for a dump code already in the system dump table
	IOERR	11	An error occurred updating the CICS catalog. The entry is changed for the current run, but is not recorded for restarts
	NOSPACE	12	The CICS catalog full. The entry is changed for the current run, but is not recorded for restarts
	NOTAUTH	100	The user associated with the issuing task is not authorized to use this command
SET SYSTEM	INVREQ	1	The MAXTASKS value is out of range
		3	The AKP value is out of range
		5	TIME is not in the range 100–3600000
		6	The RUNAWAY value is out of range
		7	MROBATCH is not in the range 1–255
		9	DUMPING has an invalid CVDA value
		12	AKP was specified, but CICS was initialized without keypointing
		13	TIME is less than SCANDELAY
		14	PRTYAGING is not in the range 0–65535

RESP2 values

Command	Condition	RESP2	Meaning
		15	SCANDELAY is not in the range 0–5000
		20	DSALIMIT is not in the range 2MB to 16MB
		21	EDSALIMIT is not in the range 10MB to 2GB
		22	There is insufficient MVS storage to allocate DSALIMIT
		23	There is insufficient MVS storage to allocate EDSALIMIT
	LENGERR	20	The GMMLENGTH value is out of range
	NOSTG	16	CICS reduced the value you requested for MAXTASKS because of storage constraints; see the NEWMAXTASKS option
	NOTAUTH	100	The user associated with the issuing task is not authorized to use this command
SET TASK	TASKIDERR	1	The task cannot be found
		2	The task is protected by CICS and not eligible for modification with this command
	INVREQ	3	PURGETYPE has an invalid CVDA value
		4	PRIORITY is not in the range 0–255
		5	The task is not in a valid state for purging
	NOTAUTH	100	The user associated with the issuing task is not authorized to use this command
SET TCLASS	TCIDERR	1	The transaction class cannot be found
	INVREQ	2	The MAXIMUM value is not in the range 0–999

RESP2 values

Command	Condition	RESP2	Meaning		
	NOTAUTH	100	The user associated with the issuing task is not authorized to use this command		
SET TCPIP	INVREQ	4	TCPIP not available (TCPIP=NO)		
		5	TCPIP already closed (for SET CLOSED IMMCLOSE)		
		6	TCPIP already open (for SET OPEN)		
		11	STATUS has an invalid CVDA value		
		12	The OPEN request did not complete because another task subsequently requested a CLSOE of CICS internal sockets support		
	NOTAUTH	100	The user associated with the issuing task is not authorized to use this command		
SET TCPIPSERVICE	INVREQ	4	TCPIP is not available (TCPIP=NO)		
		4	TCPIP status is closed		
		7	Port in use		
		8	CICS is not authorized to use this port		
		9	TCPIPSERVICE not closed		
		10	Unknown IP address		
		11	Invalid value specified in an operand of the SET command (either the STATUS or the URMname is wrong)		
		12	Invalid status		
			NOTFND	3	The named TCPIPSERVICE is not found
			NOTAUTH	100	The user associated with the issuing task is not authorized to use this command
SET TDQUEUE	QIDERR	1	The queue cannot be found		

RESP2 values

Command	Condition	RESP2	Meaning
	INVREQ	2	TRIGGERLEVEL was specified for an extrapartition queue
		3	The TRIGGERLEVEL value is not in the range 0–32767
		4	ATITERMID was specified for an extrapartition queue
		5	ATITRANID was specified for an extrapartition queue
		6	ATIFACILITY was specified for an extrapartition queue
		7	ATIFACILITY has an invalid CVDA value
		8	OPENSTATUS has an invalid CVDA value
		9	OPENSTATUS was specified for an intrapartition queue
		10	ENABLESTATUS has an invalid CVDA value
		12	The queue is remote
		13	The queue is indirect
		15	OPENSTATUS was specified for a DISABLED queue
		16	OPENSTATUS was specified, but the JCL DDNAME to which the queue definition points was not found
		18	SET not possible because the queue was not closed
		19	ATIUSERID was specified for an extrapartition queue
		20	The ESM interface is not initialized
		21	CICS has received an unknown response from the ESM
		22	The ESM did not respond
		30	Disabled pending condition
		31	SET not possible because the queue was not disabled

RESP2 values

Command	Condition	RESP2	Meaning
		35	SET not possible because the queue is in-doubt
		40	SET not possible because the queue is CXRF
	IOERR	14	An error occurred opening or closing the data set associated with the queue
		17	The queue cannot be set CLOSED because there is no space in the associated data set
	NOTAUTH	23	The user named on the ATIUSERID option is not authorized
		24	The user named in the ATIUSERID has been revoked
		25	During SECLABEL processing by the external security manager, an error occurred. For information about security labels, see the <i>OS/390 Security Server (RACF) Security Administrator's Guide</i> , SC28-1915
		27	The user named in the ATIUSERID option is not allowed to access the queue
		100	The user associated with the issuing task is not authorized to use this command
		101	The user associated with the issuing task is not authorized to access this particular resource in the way required by this command
		102	The user associated with the issuing task is not an authorized surrogate for the user specified in ATIUSERID
	USERIDERR	28	The user named in ATIUSERID is not known to the ESM

RESP2 values

Command	Condition	RESP2	Meaning
SET TERMINAL	INVREQ	1	TERMSTATUS or ACQSTATUS was specified for IRC sessions or non-VTAM terminal
		2	TERMSTATUS or ACQSTATUS has an invalid CVDA value
		4	ATISTATUS has an invalid CVDA value
		5	ATISTATUS change would result in NOATI and NOTTI
		6	CREATESESS was specified for non-VTAM terminal
		7	CREATESESS has an invalid CVDA value
		9	PAGESTATUS has an invalid CVDA value
		11	Trying to put the issuing terminal OUTSERVICE
		13	SERVSTATUS has an invalid CVDA value
		15	TERMPRIORITY value not in range 0–255
		17	NOTTI cannot be specified for the issuing terminal
		18	TTISTATUS has an invalid CVDA value
		21	PURGETYPE has an invalid CVDA value
		22	TRACING has an invalid CVDA value
		24	Invalid option requested for a remote terminal
		25	ACQUIRED specified, but terminal is not inservice
		26	PURGE specified, but target task has SPURGE=NO on its associated transaction definition
		27	EXITTRACING has an invalid CVDA value
		28	ZCPTRACING has an invalid CVDA value

RESP2 values

Command	Condition	RESP2	Meaning
		29	EXITTRACING or ZCPTRACING specified for non-VTAM terminal (or VTAM not installed)
		31	This is a remote terminal with no associated surrogate
		33	SET TERMINAL is not valid for an LU6.2 (APPC) session
		34	A permanent transaction has been defined for this terminal (TRANSACTION operand in TERMINAL definition)
		35	Attempt made to change TCAM CONTROL on non-TCAM terminal
		36	Invalid value supplied for TCAM CONTROL
		37	Preset signon failed, terminal remains OUTSERVICE
		38	OBFORMATST has an invalid CVDA value
		39	RELREQST has an invalid CVDA value
		40	DISCREQST has an invalid CVDA value
		41	ALTPRTCOPYST has an invalid CVDA value
		42	PRTCOPYST has an invalid CVDA value
		43	UCTRANST has an invalid CVDA value
		44	Options would result in the invalid combination of the alternate printer copy status being set without an alternate printer defined
		45	Options would result in the invalid combination of the alternate printer being defined without a primary printer defined

RESP2 values

Command	Condition	RESP2	Meaning
		46	OBFORMATST is specified for a console or 3790
		48	Options would result in the invalid combination of the printer copy status being set without a primary printer defined
		50	VTAM not available for VTAM terminal
		51	PRINTER and ALTPRINTER option specified for a non-3270 terminal
		52	PRTCOPYST of ALTPRTCOPST option specified for a non-3270 terminal
		54	Option other than PURGETYPE specified for IRC session
		57	Other SET parameters were included with the CANCEL option
	NORMAL	53	Purge deferred
		58	AIDs are successfully canceled
		59	No AIDs are canceled
		60	MAPNAME or MAPSETNAME specified, but the terminal is not of a type supported by BMS
	TERMIDERR	23	The named terminal cannot be found
	NOTAUTH	100	The user associated with the issuing task is not authorized to use this command
SET TRACEDEST	INVREQ	1	INSTATUS has an invalid CVDA value
		2	A TABLESIZE value of < -1 has been specified
		3	AUXSTATUS has an invalid CVDA value
		4	SWITCHSTATUS has an invalid CVDA value

RESP2 values

Command	Condition	RESP2	Meaning
		5	GTFSTATUS has an invalid CVDA value
		6	AUXPAUSE was specified, but auxiliary tracing is not active
		11	SWITCHACTION has an invalid CVDA value
	IOERR	10	A SWITCH request or a SET AUXSTART request resulted in an "open" error for the trace data set
	NOSPACE	7	There is insufficient space for a new trace table
	NOSTG	8	There is insufficient space for an auxiliary trace buffer
		9	There is insufficient space for a GTF trace buffer
	NOTAUTH	100	The user associated with the issuing task is not authorized to use this command
SET TRACEFLAG	INVREQ	1	SYSTEMSTATUS has an invalid CVDA value
		2	USERSTATUS has an invalid CVDA value
		3	SINGLESTATUS has an invalid CVDA value
		4	TCEXITSTATUS has an invalid CVDA value
		5	TCEXITSTATUS is specified but VTAM is not installed
	NOTAUTH	100	The user associated with the issuing task is not authorized to use this command
SET TRACETYPE	NOTFND	1	At least one CICS component was not accessible. Trace levels were set for the other components
	NOTAUTH	100	The user associated with the issuing task is not authorized to use this command

RESP2 values

Command	Condition	RESP2	Meaning	
SET TRANCLASS	INVREQ	2	The MAXACTIVE value is not in the range 0-999	
		3	The PURGETHRESH value is not in the range 0-1000000	
	NOTAUTH	100	The user associated with the issuing task is not authorized to use this command	
	TCIDERR	1	The transaction class cannot be found	
SET TRANDUMPCODE	NOTFND	1	The dump code cannot be found	
		2	ACTION has an invalid CVDA value	
		3	TRANDUMPING has an invalid CVDA value	
		4	SYSDUMPING has an invalid CVDA value	
		5	The MAXIMUM value is out of range	
		6	SHUTOPTION has an invalid CVDA value	
		7	REMOVE is specified with other options	
		9	The dump code is invalid	
		13	DUMPSCOPE has an invalid CVDA value	
		14	RELATED requires MVS/ESA 5.1	
		DUPREC	10	ADD is specified for a dump code already in the transaction dump table
		IOERR	11	An error occurred updating the CICS catalog. The entry is changed for the current run, but is not recorded for restarts
	NOSPACE	12	The CICS catalog is full. The entry is changed for the current run, but is not recorded for restarts	
NOTAUTH	100	The user associated with the issuing task is not authorized to use this command		

RESP2 values

Command	Condition	RESP2	Meaning
SET TRANSACTION	TRANSIDERR	1	The transaction cannot be found
		2	PURGEABILITY has an invalid CVDA value
	3	STATUS has an invalid CVDA value	
	4	DISABLED has been specified for a CICS-supplied transaction	
	5	The TCLASS or TRANCLASS name is not known	
	7	Tracing has an invalid CVDA value	
	8	DUMPING has an invalid CVDA value	
	9	The PRIORITY value is out of range	
	10	RUNAWAYTYPE has an invalid CVDA value	
	11	SHUTDOWN has an invalid CVDA value	
	12	USER has been specified without a RUNAWAY value	
	13	RUNAWAY has been specified without a RUNAWAYTYPE value of USER	
	14	The RUNAWAY value is out of range	
		NOTAUTH	100
101			The user associated with the issuing task is not authorized to access this particular resource in the way required by this command
SET TSQUEUE/TSQNAME	NOTFND	1	The TSQUEUE cannot be found

RESP2 values

Command	Condition	RESP2	Meaning
	INVREQ	1	The TSQUEUE was not deleted because LASTUSEDINIT was greater than the interval, or because the TSQUEUE is in use
		2	The action specified was not DELETE
		3	LASTUSEDINIT was specified but has an interval value; that is, a negative value
		4	The filetype was not valid for the specified operation
	POOLERR	0	POOLNAME was specified but the pool could not be accessed
	QIDERR	1	The QUEUE name was invalid (it was binary zeroes)
	SYSIDERR	0	SYSID was specified but there was no corresponding pool, or the pool was unavailable
		3	The SYSID does not map to a shared pool
		5	I/O error on the coupling facility
	NOTAUTH	100	The user associated with the issuing task is not authorized to use this command
101		The user associated with the issuing task is not authorized to access this particular resource in the way required by this command	
SET UOW	UOWNOTFOUND	1	The UOW cannot be found
	INVREQ	3	UOWSTATE has an invalid CVDA value
		4	CICS is not in a valid state to COMMIT, BACKOUT, or FORCE this UOW

RESP2 values

Command	Condition	RESP2	Meaning
	NOTAUTH	100	The use of this command is not authorized
SET UOWLINK	UOWLNOTFOUND	1	The specified UOW-link cannot be found
		2	Resynchronization is already in progress, or the UOW-link is already being processed by another instance of the SET UOWLINK command
	3	The UOW is in-doubt, and the UOW-link is the coordinator of the commit or backout session. The UOW must be forced using the SET UOW command before the UOW-link can be deleted	
	4	This is not a link created by a connection, or is not a recoverable link	
	5	The UOW-link (and the associated communication session) is still active	
	6	ACTION has an invalid CVDA value	
	7	The UOW-link has a suitable connection definition, and cannot be deleted	
	NOTAUTH	100	The use of this command is not authorized
SET VOLUME	VOLIDERR	1	This command is obsolete, and is retained only for compatibility with releases of CICS earlier than CICS for MVS/ESA 5.1. It has no equivalent function in CICS for MVS/ESA 5.1 or later releases
SET VTAM	INVREQ	1	VTAM is not present in the system
		2	OPENSTATUS has an invalid CVDA value

RESP2 values

Command	Condition	RESP2	Meaning
		4	The PSDINTERVAL value is out of range
		5	The PSDINTHRS value is out of range
		6	The PSDINTMINS value is out of range
		7	The PSDINTSECS value is out of range
		8	A PSDINTERVAL value > 0 was specified in an XRF-eligible system
		9	VTAM reported an error while an attempt was being made to set the PSD interval
		10	A PSD interval has been specified but either the VTAM currently in use (or the VTAM library used when the terminal control table was assembled) does not support persistent sessions. The interval may have been specified earlier than this command; see the PSDINTERVAL description. If OPEN was also requested, CICS has opened the VTAM ACB
		11	The ACB has opened successfully, but an error occurred in at least one of the sessions that persisted from the previous failure
		12	Your OPEN request did not complete because another task subsequently requested a close of the VTAM connection
		13	An error occurred during recovery of sessions, and the VTAM ACB will be closed as a result

RESP2 values

Command	Condition	RESP2	Meaning
		14	CICS is performing cleanup processing following a predatory XRF takeover. CICS rejects OPEN requests with this error, without invoking VTAM, during this activity. OPEN requests are processed as usual as soon as cleanup is complete
		16	Your attempt to deregister CICS from a VTAM generic resource failed because CICS is not registered as a member of a generic resource group
	IOERR	n	An error occurred during the opening of the ACB. If CICS could not process the request, the RESP2 value is 3. If VTAM detects the failure, CICS returns the VTAM FDBK2 code in RESP2: you can look up these errors in the <i>VTAM Programming</i> manual, under ACB OPEN and CLOSE return codes
	NOTAUTH	100	The user associated with the issuing task is not authorized to use this command
SET WEB	INVREQ	11	An invalid value has been supplied for STATUS, GARBAGEINT or TIMEOUTINT
	NOTAUTH	100	The user associated with the issuing task is not authorized to use this command
SIGNOFF	INVREQ	1	No user is currently signed on
		2	There is no terminal with this task

RESP2 values

Command	Condition	RESP2	Meaning		
		3	This task's terminal has preset security		
		4	Signoff is attempted using transaction routing without using the CRTE transaction		
		18	The CICS ESM interface not initialized		
		200	Command not allowed for a distributed program link server program		
SIGNON	NOTAUTH	1	A password is required		
		2	The supplied password is wrong		
		3	A new password is required		
		4	The new password is not acceptable		
		5	An OIDCARD is required		
		6	The supplied OIDCARD is wrong		
		16	The USERID is not authorized to use this terminal		
		17	The USERID is not authorized to use the application		
		19	The USERID is revoked		
		20	The USERID's access to the specified group has been revoked		
		21	The signon failed during SECLABEL checking		
		22	The signon failed because ESM is not currently accepting signons		
		23	The GROUPLD is not known to the ESM		
		24	The USERID is not contained in the GROUPLD		
			INVREQ	9	The terminal already signed on
				10	No terminal associated with this task
				11	This task's terminal has preset security

RESP2 values

Command	Condition	RESP2	Meaning
		12	The response from CICS security modules is unrecognized
		13	There is an unknown return code in ESMRESP from the external security manager
		14	The required national language is not available
		15	Signon attempted via transaction routing without using the CRTE transaction
		18	The CICS ESM interface is not initialized
		25	The terminal is of an invalid type
		27	The ESM is not active
		28	The required national language is invalid
		29	The user is already signed on. This relates to the signon scope checking
		200	Command not allowed for a distributed program link server program
	USERIDERR	8	The USERID is not known to external security manager
		30	The USERID is all blanks or nulls
SPOOLCLOSE	INVREQ	4	Unsupported language
		8	Unsupported function
		40	Subsystem interface already enabled
			Note: Errors 1024 and over are internal and should not occur. If one of these error codes is returned, contact your IBM support center.
	NOSPOOL	4	No subsystem present
		8	Interface being disabled; CICS is quiescing

RESP2 values

Command	Condition	RESP2	Meaning
		12	Interface has been stopped
	NOTOPEN	8	Dataset has not been opened
	NOTFND	1024	Input or output function has been corrupted, and SPOOLCLOSE could not complete
SPOOLOPEN INPUT	ILLOGIC	3	Invalid CLASS value specified
	INVREQ	4	Unsupported language
		8	Unsupported function
		16	USERID missing
		36	INPUT OUTPUT missing
		40	Subsystem interface already enabled
			Note: Errors 1024 and over are internal and should not occur. If one of these error codes is returned, contact your IBM support center.
	NOSPOOL	4	No subsystem present
		8	Interface being disabled; CICS is quiescing
		12	Interface has been stopped
	NOTFND	4	No data sets could be located for retrieval for the specified external writer name
		1024	Input or output function has been corrupted, and SPOOLCLOSE could not complete
	NOTOPEN	8	Data set has not been opened or a task which has not issued the SPOOLOPEN for a spool data set has attempted to access it.
		1024	Subtask OPEN macro failure

RESP2 values

Command	Condition	RESP2	Meaning	
SPOOLOPEN OUTPUT	OPENERR	4	A VSAM SHOWCB macro failed to return the lengths of the VSAM control blocks used to access the JES spool file.	
	SPOLBUSY	4	Interface already in use by another task	
		8	Interface already in use by current task	
	ILLOGIC	3	Invalid CLASS value specified	
		INVREQ	4	Unsupported language
			8	Unsupported function
			16	USERID missing
			20	NODE missing
		36	INPUT OUTPUT missing	
		40	Subsystem interface already enabled	
			Note: Errors 1024 and over are internal and should not occur. If one of these error codes is returned contact your IBM support center.	
		44	Error in the OUTDESCR string	
		48	OUTDESCR specified but function not available (wrong level of MVS or JES)	
		52	OUTDESCR specified but bad pointer found on keyword or in OUTDESCR condition	
NOSPOOL	4	No subsystem present		
	8	Interface being disabled; CICS is quiescing		
	12	Interface has been stopped		
NOTFND	4	No data sets could be located for retrieval for the specified external writer name		
NOTOPEN	8	Data set has not been opened		

RESP2 values

Command	Condition	RESP2	Meaning	
SPOOLREAD	OPENERR	1024	Subtask OPEN macro failure	
		4	A VSAM SHOWCB macro failed to return the lengths of the VSAM control blocks used to access the JES spool file.	
	SPOLBUSY	4	Interface already in use by another task	
		8	Interface already in use by current task	
	ILLOGIC	3	Invalid CLASS value specified	
		4	Unsupported language	
		8	Unsupported function	
		12	Read attempt after end of file	
		24	INTO missing	
	NOSPOOL		40	Subsystem interface already enabled.
			Note: Errors 1024 and over are internal, and should not occur. If one of these error codes is returned, contact your IBM support center.	
			4	No subsystem present
			8	Interface being disabled; CICS is quiescing
			12	Interface has been stopped
4			No data sets could be located for retrieval for the specified external writer name	
NOTFND			8	Data set has not been opened
			12	Attempt to read an output file
		1024	Subtask OPEN macro failure	
SPOLBUSY			4	Interface already in use by another task
	8		Interface already in use by current task	
SPOOLWRITE	INVREQ	4	Unsupported language	

RESP2 values

Command	Condition	RESP2	Meaning
		8	Unsupported function
		28	FROM missing
		40	Subsystem interface already enabled.
			Note: Errors 1024 and over are internal, and should not occur. If one of these error codes is returned, contact your IBM support center.
	NOSPOOL	4	No subsystem present
		8	Interface being disabled; CICS is quiescing
		12	Interface has been stopped
	NOTOPEN	8	Spool report has not been opened
		16	Attempt to write an input file
		1024	Subtask OPEN macro failure
	SPOLBUSY	4	Interface already in use by another task
		8	Interface already in use by current task
START	INVREQ	4	Hours are out of range
		5	Minutes are out of range
		6	Seconds are out of range
		11	An attempt was made to ship a START request with the ATTACH option

RESP2 values

Command	Condition	RESP2	Meaning
		12	A START request with the ATTACH option has failed Note: RESP2 values of 4, 5 and 6 are valid only if issuing AT or AFTER options. When specifying INTERVAL, only EIBRESP is passed with a value of X'10' - no RESP2 value is passed in this case
	NOTAUTH	18	A USERID was specified and the CICS external security manager interface is not initialized
		7	A resource security check has failed on TRANSID(name)
		9	A surrogate user security check has failed on USERID(name)
	USERIDERR	8	The specified USERID is not known to the external security manager
		10	The external security manager is in a state such that CICS cannot determine whether a specified USERID is valid
STARTBR	FILENOTFOUND	1	A file name referred to in the FILE option cannot be found in the FCT and SYSID has not been specified
	INVREQ	20	Browse operations are not allowed according to the file entry specification in the FCT

RESP2 values

Command	Condition	RESP2	Meaning
		25	The KEYLENGTH and GENERIC options are specified, and the length defined for the data set to which this file specified in the KEYLENGTH option is greater than or equal to the length of a full key
		26	The KEYLENGTH option is specified (but the GENERIC option is not specified), and the specified length does not equal the length defined for the data set to which this file refers
		33	An attempt has been made to start a browse with a REQID already in use for another browse
		42	The KEYLENGTH and GENERIC options are specified, and the length specified in the KEYLENGTH option is less than zero
		44	The specified file is a user-maintained data table
		51	A STARTBR command to a KSDS file that was being accessed in RLS mode specified the RBA keyword. RLS mode does not support RBA access to KSDS files
	DISABLED	50	File is disabled

RESP2 values

Command	Condition	RESP2	Meaning
	NOTOPEN	60	The requested file is CLOSED and UNENABLED or the requested file is OPEN and in use by other transactions, but a CLOSE request against it has been received or a STARTBR command was issued against a data set that is quiesced, or is being quiesced, as a result of a SET DSNAME QUIESCED or IMMQUIESCED command
	ISCINVREQ	70	The remote system indicated a failure that does not correspond to a known condition
	NOTFND	80	An attempt to position on a record based on the search argument provided was unsuccessful
	NOTAUTH	101	A resource security check has failed on FILE(filename)
	LOADING	104	A STARTBR was issued to a user-maintained data table that is currently being loaded
	LOCKED	106	An attempt has been made to start a browse, but a retained lock exists against the key of the first record in the range of the browse. After a LOCKED response, the browse has not been started
	ILLOGIC	110	A VSAM error has occurred which does not fall within one of the other CICS response categories
	IOERR	120	There has been an I/O error during the file control operation

RESP2 values

Command	Condition	RESP2	Meaning
	SYSIDERR	130	The SYSID option specified a name that is neither the local nor a remote system (made known to CICS by defining a CONNECTION); <u>or</u> the link to the remote system is closed.
SYNCPOINT	INVREQ	200	SYNCPOINT was in a program that is linked to from a remote system that has not specified the SYNCONRETURN option, or it was linked to locally and is defined with EXECUTIONSET=DPLSUBSET
SYNCPOINT ROLLBACK	INVREQ	200	SYNCPOINT ROLLBACK was in a program that is linked to from a remote system that has not specified the SYNCONRETURN option, or it was linked to locally and is defined with EXECUTIONSET=DPLSUBSET
UNLOCK	FILENOTFOUND	1	The file name referred to in the FILE option cannot be found in the FCT and SYSID has not been specified
	INVREQ	47	An unlock included a token whose value cannot be matched against any token in use for an existing READ for UPDATE request
	DISABLED	50	A file is disabled
	NOTOPEN	60	The requested file is CLOSED and UNENABLED <u>or</u> the requested file is OPEN and in use by other transactions, but a close request against it has been received

RESP2 values

Command	Condition	RESP2	Meaning
	ISCINVREQ	70	The remote system indicated a failure that does not correspond to a known condition
	NOTAUTH	101	A resource security check has failed on FILE(filename)
	ILLOGIC (VSAM and CICS-maintained data tables)	110	A VSAM error has occurred which does not fall within one of the other CICS response categories
	IOERR	120	There has been an I/O error during the file control operation
	SYSIDERR	130	The SYSID option specified a name that is neither the local nor a remote system (made known to CICS by defining a CONNECTION); <u>or</u> the link to the remote system is closed.
VERIFY PASSWORD	NOTAUTH	2	The supplied password is wrong
		3	A new password is required
	USERIDERR	19	The USERID is revoked
		8	The USERID is not known to the external security manager
		13	There is an unknown return code in ESMRESP from the external security manager
	INVREQ	18	The CICS external security manager interface is not initialized
		29	The external security manager is not responding
		32	The userid field contains a blank character in an invalid position

RESP2 values

Command	Condition	RESP2	Meaning
WAIT CONVID	INVREQ	200	Command not supported for distributed program link when it refers to the principal facility
WAIT EVENT	INVREQ	2	The ECB address is a null pointer, (X'00000000') or (X'FF000000')
		3	The specified event control area address is above the 16MB line for programs executing in 24-bit mode
		4	The event control area address is not aligned on a fullword boundary
		6	The timer-event control area specified on a WAIT EVENT is in use-key task-lifetime storage, and is inaccessible to another transaction. This condition can only occur if the storage for the timer-event control area is obtained other than by an EXEC CICS POST command, and is for posting as an ECB by some other task on completion of an event
WAIT EXTERNAL	INVREQ	1	An ECB is not valid, for example the ECB is not fullword aligned
		2	An ECB is already being waited on
		3	NUMEVENTS is not a positive number
		4	PURGEABILITY is specified with an incorrect CVDA
		5	No valid ECBs have been found in the list because either the ECBLIST address is not valid or all the ECB addresses are not valid

RESP2 values

Command	Condition	RESP2	Meaning
		6	The event control blocks (ECBs) specified are in user-key task-lifetime storage, and are inaccessible to another transaction that is expected to post the ECBs or the ECBs specified are in read-only storage
WAIT TERMINAL	INVREQ	200	A distributed program link server application specified the function-shipping session (its principal facility) on the CONVID option
WAITCICS	INVREQ	1	An ECB is not valid, for example the ECB is not fullword aligned
		3	NUMEVENTS is not a positive number
		4	PURGEABILITY is specified with an incorrect CVDA
		5	No valid ECBs have been found in the list, because either the ECBLIST address is not valid, or all the ECB addresses are not valid
		6	The event control block (ECBs) specified are in user-key task-lifetime storage, and are inaccessible to another transaction that is expected to post the ECBs or the ECBs specified are in read-only storage
WRITE	FILENOTFOUND	1	The file name referred to in the FILE option cannot be found in the FCT

RESP2 values

Command	Condition	RESP2	Meaning
	LENGERR	10	LENGTH is omitted for a WRITE to a file with variable-length records or to a BDAM file with undefined-format records
		12	The length specified for the write operation exceeds the maximum record size; the record is truncated
		14	An incorrect length is specified for a write operation involving fixed-length records
	INVREQ	20	Add operations are not allowed according to the file entry specification in the FCT
		23	When writing records containing embedded keys, the key in the record area (FROM option) and the key in RIDFLD do not match
		26	The KEYLENGTH option is specified, and the specified length does not equal the length defined for the data set to which this file refers to
		38	A WRITE with the MASSINSERT option has been issued against a BDAM file
		40	A BDAM key conversion error has occurred
		44	The WRITE command does not conform to the format of WRITE for a user-maintained data table

RESP2 values

Command	Condition	RESP2	Meaning
		51	A WRITE command specifying the RBA keyword was issued against a KSDS file that was being accessed in RLS mode. RLS mode does not support relative byte address access to KSDS files
	DISABLED	55	NOSUSPEND specified but file is not RLS
	NOTOPEN	50	A file is disabled
		60	The requested file is CLOSED and UNENABLED <u>or</u> the requested file is OPEN and in use by other transactions, but a CLOSE request against it has been received <u>or</u> a WRITE request was issued against a data set that is quiesced, or is being quiesced, as a result of a SET DSNAME QUIESCED or IMMQUIESCED command
	ISCINVREQ	70	The remote system indicated a failure that does not correspond to a known condition
	NOSPACE	100	No space is available on the direct access device for adding records to a data set
		102	The maximum number of table entries specified for the user-maintained table has already been reached
		103	CICS is unable to get sufficient storage in the CICS address space to create an in-memory table entry for the record being written
	NOTAUTH	101	A resource security check has failed on FILE(filename)

RESP2 values

Command	Condition	RESP2	Meaning
	LOADING	104	A WRITE is issued to a user-maintained data table that is currently being loaded
	SUPPRESSED	105	A user exit program that is invoked at the XDTAD exit point decides not to add the record to the user-maintained data table
	LOCKED	106	An attempt was made to write a record, but a retained lock exists against the key of this record
	RECORDBUSY	107	NOSUSPEND was specified on the request but VSAM held an active lock against the record, which would cause the request to wait
	ILLOGIC	110	A VSAM error has occurred that does not fall within one of the other CICS response categories
	IOERR	120	There has been an I/O error during the file control operation <u>or</u> you are trying to write to a BDAM track address that is not defined for a data set
	SYSIDERR	130	The SYSID option specified a name that is neither the local nor a remote system (made known to CICS by defining a CONNECTION); <u>or</u> the link to the remote system is closed.
	DUPREC	150	An attempt has been made to add a record to a data set, by referring to a file, or a path over a file (with the UNIQUEKEY attribute), in which the same key already exists

RESP2 values

Command	Condition	RESP2	Meaning
WRITE OPERATOR	INVREQ	1	The TEXTLENGTH value is not valid
		2	The NUMROUTES value is not valid
		3	A ROUTECODE value is not valid
		4	The MAXLENGTH value is not valid
		5	The TIMEOUT value is not valid
		6	The ACTION value is not valid
	EXPIRED	7	TIMEOUT has occurred before the operator's reply was received
	LENGERR	8	The reply was longer than MAXLENGTH, and has been truncated
XCTL	PGMIDERR	1	A program has no entry in the PPT and either program autoinstall was switched off, or the program autoinstall control program indicated that the program should no be autoinstalled
		2	A program is disabled
		3	A program cannot be loaded because this was the first load of the program and the program load failed <u>or</u> this was a subsequent load of the program, but the first load failed
		9	The installed program definition is for a remote program

RESP2 values

Command	Condition	RESP2	Meaning
		21	The program autoinstall control program failed either because the program autoinstall control program is incorrect, incorrectly defined, or as a result of an abend in the program autoinstall control program. Program autoinstall is disabled and message DFHPG0202 or DFHPG0203 is written to the CSPL
		22	The model returned by the program autoinstall control program was not defined in the PPT table, or was not enabled
		23	The program autoinstall control program returned invalid data
		24	Define for the program failed due to autoinstall returning an invalid program name or definition
	INVREQ	8	An XCTL command with the INPUTMSG option was issued for a program that is not associated with a terminal, or that is associated with an APPC logical unit, or an IRC session
		29	EXEC XCTL is not allowed in a GLUE or TRUE
		30	The program manager domain has not yet been initialized
		200	An XCTL command with the INPUTMSG option has been issued in a program invoked by DPL
	LENGERR	11	LENGTH is less than 0 or greater than 32763

RESP2 values

Command	Condition	RESP2	Meaning
		26	The COMMAREA address passed was zero, but LENGTH was non zero
		27	INPUTMSGLEN was less than 0 or greater than 32767
		28	LENGTH or INPUTMSGLEN is greater than the length of the data area specified in the COMMAREA or INPUTMSG options, and while that data was being copied a destructive overlap occurred because of the incorrect length
	NOTAUTH	101	A resource security check has failed on PROGRAM(name)

Chapter 10. EXEC interface block (EIB) response and function codes

This appendix lists the response codes and the function codes of EXEC CICS commands.

Response codes of EXEC CICS commands

After the execution of an EXEC CICS command, fields EIBRESP and EIBRCODE are set to indicate whether the command executed successfully, or whether a CICS condition was raised.

Each possible value of EIBRESP relates directly to a specific condition, no matter which command caused the condition to be raised. This is not true for EIBRCODE values: both the value and the byte of EIBRCODE in which it is set depend on which command was issued.

The following sections list the conditions that are applicable to the EXEC CICS commands described in this book, their corresponding RESP values (decimal), the associated EIBRCODE values (hexadecimal), and the transaction abend codes (if any).

EXEC CICS DISCARD, INQUIRE, PERFORM, and SET commands

The first word of EIBRCODE for these commands is always set equal to the hexadecimal equivalent of the RESP value; the remaining bytes are set to X'00'.

Condition (Byte 3)	RESP Value code code	EIBRCODE	Abend
DSNNOTFOUND	93	5D	AEX1
DUPREC	14	0E	AEIN
END	83	53	AEXK
FILENOTFOUND	12	0C	AEIL
ILLOGIC	21	15	AEIU
INVREQ	16	10	AEIP
IOERR	17	11	AEIQ
JIDERR	43	2B	AEYG
LENGERR	22	16	AEIV
MODELIDERR	95	5F	AEX3
NOSPACE	18	12	AEIR
NOSTG	42	2A	—
NOTAUTH	70	46	AEY7
NOTFND	13	0D	AEIM
PARTNERIDERR	97	61	AEX5
PGMIDERR	27	1B	AEI0
PROFILEIDERR	98	62	AEX6
QIDERR	44	2C	AEYH
SYSBUSY	59	3B	—
SYSIDERR	53	35	AEYQ
TASKIDERR	91	5B	AEXX
TCIDERR	92	5C	AEX0
TERMIDERR	11	0B	AEIK
TRANSIDERR	28	1C	AEI1
UOWNNOTFOUND	102	66	-
USERIDERR	69	45	AEYX
VOLIDERR	71	47	AEXV

EXEC CICS DISABLE, ENABLE, and EXTRACT EXIT commands

Conditions that can be raised by the DISABLE, ENABLE, and EXTRACT EXIT commands are INVEXITREQ and NOTAUTH. There are no conditions associated with the RESYNC command.

Condition	RESP Value	EIBRCODE	Abend
INVEXITREQ	63	80	AEY0
NOTAUTH	70	46	AEY7

Function codes of EXEC CICS commands

The function code (field EIBFN) is a hexadecimal value that identifies the command most recently issued by a task. The format of the EIBFN field is as follows:

```
ASM      CL2
COBOL    PIC X(2)
PL/I     CHAR (2)
C        CHAR variable name(2);
```

The function codes of the commands described in this book are listed below in command sequence, then in function code sequence. For information about other function codes, see the *CICS Application Programming Reference* manual.

Command	Code
ACQUIRE TERMINAL	86 02
COLLECT STATISTICS	70 08
CREATE CONNECTION	30 0E
CREATE DB2CONN	30 20
CREATE DB2ENTRY	30 22
CREATE DB2TRAN	30 24
CREATE DOCTEMPLATE	30 2E
CREATE ENQMODEL	30 2A
CREATE FILE	30 14
CREATE JOURNALMODEL	30 1E
CREATE LSRPOOL	30 16
CREATE MAPSET	30 04
CREATE PARTITIONSET	30 06
CREATE PARTNER	30 18
CREATE PROCESSTYPE	30 26
CREATE PROFILE	30 0A
CREATE PROGRAM	30 02
CREATE REQUESTMODEL	30 2C
CREATE SESSIONS	30 12
CREATE TCPIPSERVICE	30 30
CREATE TDQUEUE	30 1C
CREATE TERMINAL	30 10
CREATE TRANCLASS	30 1A
CREATE TRANSACTION	30 08
CREATE TSMODEL	30 28
CREATE TYPETERM	30 0C
DISABLE PROGRAM	22 04
DISCARD AUTINSTMODEL	42 10
DISCARD CONNECTION	58 10
DISCARD DB2CONN	94 10
DISCARD DB2ENTRY	94 30
DISCARD DB2TRAN	94 50

Command	Code
DISCARD DOCTEMPLATE	9E 10
DISCARD ENQMODEL	90 90
DISCARD FILE	4C 10
DISCARD	92 10
JOURNALMODEL	
DISCARD JOURNALNAME	60 10
DISCARD PARTNER	44 10
DISCARD PROCESSTYPE	96 10
DISCARD PROFILE	46 10
DISCARD PROGRAM	4E 10
DISCARD	9A 10
REQUESTMODEL	
DISCARD TCPIPSERVICE	9C 10
DISCARD TDQUEUE	5C 10
DISCARD TERMINAL	52 10
DISCARD TRANCLASS	5E 18
DISCARD TRANSACTION	50 10
DISCARD TSMODEL	80 30
ENABLE PROGRAM	22 02
EXTRACT EXIT	22 06
INQUIRE ACTIVITYID	96 12
INQUIRE AUTINSTMODEL	42 02
INQUIRE AUTOINSTALL	68 12
INQUIRE CFDTPOOL	98 02
INQUIRE CONNECTION	58 02
INQUIRE CONTAINER	96 14
INQUIRE DB2CONN	94 02
INQUIRE DB2ENTRY	94 22
INQUIRE DB2TRAN	94 42
INQUIRE DELETSHIPED	68 22
INQUIRE DOCTEMPLATE	9E 02
INQUIRE DSNAME	7A 02
INQUIRE DUMPDS	66 02
INQUIRE ENQMODEL	90 82
INQUIRE EVENT	96 16
INQUIRE EXCI	7C 02
INQUIRE EXITPROGRAM	88 02
INQUIRE FILE	4C 02
INQUIRE IRC	6E 02
INQUIRE JOURNALMODEL	92 02
INQUIRE JOURNALNAME	60 12
INQUIRE JOURNALNUM	60 02
INQUIRE MODENAME	5A 02
INQUIRE MONITOR	70 12
INQUIRE NETNAME	52 16
INQUIRE NETNAME	52 06
INQUIRE PARTNER	44 02
INQUIRE PROCESS	96 18

Command	Code
INQUIRE PROCESSTYPE	96 02
INQUIRE PROFILE	46 02
INQUIRE PROGRAM	4E 02
INQUIRE REQID	8A 02
INQUIRE REQUESTMODEL	9A 02
INQUIRE RRMS	3A 02
INQUIRE STATISTICS	70 02
INQUIRE STORAGE	5E 08
INQUIRE STREAMNAME	92 12
INQUIRE SYSDUMPCODE	66 22
INQUIRE SYSTEM	54 02
INQUIRE TASK	5E 02
INQUIRE TCLASS	5E 12
INQUIRE TCPIP	9C 12
INQUIRE TCPIPSERVICE	9C 02
INQUIRE TDQUEUE	5C 02
INQUIRE TERMINAL	52 02
INQUIRE TERMINAL	52 12
INQUIRE TIMER	96 38
INQUIRE TRACEDEST	78 02
INQUIRE TRACEFLAG	78 12
INQUIRE TRACETYPE	78 22
INQUIRE TRANCLASS	5E 1A
INQUIRE	66 12
TRANDUMPCODE	
INQUIRE TRANSACTION	50 02
INQUIRE TSMODEL	80 22
INQUIRE TSPool	80 1A
INQUIRE TSQNAME	80 12
INQUIRE TSQUEUE	80 02
INQUIRE UOW	90 02
INQUIRE UOWDSNFAIL	90 62
INQUIRE UOWENQ	90 22
INQUIRE UOWLINK	90 42
INQUIRE VOLUME	62 02
INQUIRE VTAM	68 02
INQUIRE WEB	9C 22
PERFORM DELETSHIPED	68 26
PERFORM DUMP	7E 04
PERFORM ENDAFFINITY	58 06
PERFORM RESETTIME	72 02
PERFORM SECURITY	64 02
PERFORM SHUTDOWN	76 02
PERFORM STATISTICS	70 06
RESYNC ENTRYNAME	16 04
SET AUTOINSTALL	68 14
SET CONNECTION	58 04
SET DB2CONN	94 04

Command	Code
SET DB2ENTRY	94 24
SET DB2TRAN	94 44
SET DELETSHIPED	68 24
SET DSNNAME	7A 04
SET DUMPDS	66 04
SET ENQMODEL	90 84
SET FILE	4C 04
SET IRC	6E 04
SET JOURNALNAME	60 14
SET JOURNALNUM	60 04
SET MODENAME	5A 04
SET MONITOR	70 14
SET NETNAME	52 08
SET PROCESSTYPE	96 04
SET PROGRAM	4E 04
SET STATISTICS	70 04
SET SYSDUMPCODE	66 24
SET SYSTEM	54 04
SET TASK	5E 04
SET TCLASS	5E 14
SET TCPIP	9C 14
SET TCPIPSERVICE	9C 04
SET TDQUEUE	5C 04
SET TERMINAL	52 04
SET TERMINAL	52 14
SET TRACEDEST	78 04
SET TRACEFLAG	78 14
SET TRACETYPE	78 24
SET TRANCLASS	5E 1C
SET TRANDUMPCODE	66 14
SET TRANSACTION	50 04
SET TSQNAME	80 14
SET TSQUEUE	80 04
SET UOW	90 04
SET UOWLINK	90 44
SET VOLUME	62 04
SET VTAM	68 04
SET WEB	9C 24

Code	Command
16 04	RESYNC ENTRYNAME
22 02	ENABLE PROGRAM
22 04	DISABLE PROGRAM
22 06	EXTRACT EXIT
30 0A	CREATE PROFILE
30 0C	CREATE TYPETERM

Code	Command
30 0E	CREATE CONNECTION
30 02	CREATE PROGRAM
30 04	CREATE MAPSET
30 06	CREATE PARTITIONSET
30 08	CREATE TRANSACTION
30 1A	CREATE TRANCLASS
30 1C	CREATE TDQUEUE
30 1E	CREATE JOURNALMODEL
30 10	CREATE TERMINAL
30 12	CREATE SESSIONS
30 14	CREATE FILE
30 16	CREATE LSRPOOL
30 18	CREATE PARTNER
30 20	CREATE DB2CONN
30 22	CREATE DB2ENTRY
30 24	CREATE DB2TRAN
30 26	CREATE PROCESSTYPE
30 28	CREATE TSMODEL
30 2A	CREATE ENQMODEL
30 2C	CREATE REQUESTMODEL
30 2E	CREATE DOCTEMPLATE
30 30	CREATE TCPIPSERVICE
3A 02	INQUIRE RRMS
42 02	INQUIRE AUTINSTMODEL
42 10	DISCARD AUTINSTMODEL
44 02	INQUIRE PARTNER
44 10	DISCARD PARTNER
46 02	INQUIRE PROFILE
46 10	DISCARD PROFILE
4C 02	INQUIRE FILE
4C 04	SET FILE
4C 10	DISCARD FILE
4E 02	INQUIRE PROGRAM
4E 04	SET PROGRAM
4E 10	DISCARD PROGRAM
50 02	INQUIRE TRANSACTION
50 04	SET TRANSACTION
50 10	DISCARD TRANSACTION
52 02	INQUIRE TERMINAL
52 04	SET TERMINAL
52 06	INQUIRE NETNAME
52 08	SET NETNAME
52 10	DISCARD TERMINAL
52 12	INQUIRE TERMINAL
52 14	SET TERMINAL
52 16	INQUIRE NETNAME
54 02	INQUIRE SYSTEM
54 04	SET SYSTEM

Code	Command
58 02	INQUIRE CONNECTION
58 04	SET CONNECTION
58 06	PERFORM ENDAFFINITY
58 10	DISCARD CONNECTION
5A 02	INQUIRE MODENAME
5A 04	SET MODENAME
5C 02	INQUIRE TDQUEUE
5C 04	SET TDQUEUE
5C 10	DISCARD TDQUEUE
5E 02	INQUIRE TASK
5E 04	SET TASK
5E 08	INQUIRE STORAGE
5E 1A	INQUIRE TRANCLASS
5E 1C	SET TRANCLASS
5E 12	INQUIRE TCLASS
5E 14	SET TCLASS
5E 18	DISCARD TRANCLASS
60 02	INQUIRE JOURNALNUM
60 04	SET JOURNALNUM
60 10	DISCARD JOURNALNAME
60 12	INQUIRE JOURNALNAME
60 14	SET JOURNALNAME
62 02	INQUIRE VOLUME
62 04	SET VOLUME
64 02	PERFORM SECURITY
66 02	INQUIRE DUMPDS
66 04	SET DUMPDS
66 12	INQUIRE TRANDUMPCODE
66 14	SET TRANDUMPCODE
66 22	INQUIRE SYSDUMPCODE
66 24	SET SYSDUMPCODE
68 02	INQUIRE VTAM
68 04	SET VTAM
68 12	INQUIRE AUTOINSTALL
68 14	SET AUTOINSTALL
68 22	INQUIRE DELETSHIPED
68 24	SET DELETSHIPED
68 26	PERFORM DELETSHIPED
6E 02	INQUIRE IRC
6E 04	SET IRC
70 02	INQUIRE STATISTICS
70 04	SET STATISTICS
70 06	PERFORM STATISTICS
70 08	COLLECT STATISTICS
70 12	INQUIRE MONITOR
70 14	SET MONITOR
72 02	PERFORM RESETTIME
76 02	PERFORM SHUTDOWN

Code	Command
78 02	INQUIRE TRACEDEST
78 04	SET TRACEDEST
78 12	INQUIRE TRACEFLAG
78 14	SET TRACEFLAG
78 22	INQUIRE TRACETYPE
78 24	SET TRACETYPE
7A 02	INQUIRE DSNAME
7A 04	SET DSNAME
7C 02	INQUIRE EXCI
7E 04	PERFORM DUMP
80 02	INQUIRE TSQUEUE
80 04	SET TSQUEUE
80 12	INQUIRE TSQNAME
80 14	SET TSQNAME
80 1A	INQUIRE TSPool
80 22	INQUIRE TSMODEL
80 30	DISCARD TSMODEL
86 02	ACQUIRE TERMINAL
88 02	INQUIRE EXITPROGRAM
8A 02	INQUIRE REQID
90 02	INQUIRE UOW
90 04	SET UOW
90 22	INQUIRE UOWENQ
90 42	INQUIRE UOWLINK
90 44	SET UOWLINK
90 62	INQUIRE UOWDSNFAIL
90 82	INQUIRE ENQMODEL
90 84	SET ENQMODEL
90 90	DISCARD ENQMODEL
92 02	INQUIRE JOURNALMODEL
92 10	DISCARD JOURNALMODEL
92 12	INQUIRE STREAMNAME
94 02	INQUIRE DB2CONN
94 04	SET DB2CONN
94 10	DISCARD DB2CONN
94 22	INQUIRE DB2ENTRY
94 24	SET DB2ENTRY
94 30	DISCARD DB2ENTRY
94 42	INQUIRE DB2TRAN
94 44	SET DB2TRAN
94 50	DISCARD DB2TRAN
96 02	INQUIRE PROCESSTYPE
96 04	SET PROCESSTYPE
96 10	DISCARD PROCESSTYPE
96 12	INQUIRE ACTIVITYID
96 14	INQUIRE CONTAINER
96 16	INQUIRE EVENT
96 18	INQUIRE PROCESS

Abend codes • DFH messages

Code	Command
96 38	INQUIRE TIMER
98 02	INQUIRE CFDTPPOOL
9A 02	INQUIRE REQUESTMODEL
9A 10	DISCARD REQUESTMODEL
9C 02	INQUIRE TCPIP SERVICE
9C 04	SET TCPIP SERVICE
9C 10	DISCARD TCPIP SERVICE
9C 12	INQUIRE TCPIP
9C 14	SET TCPIP
9C 22	INQUIRE WEB
9C 24	SET WEB
9E 02	INQUIRE DOCTEMPLATE
9E 10	DISCARD DOCTEMPLATE

DFH messages

Chapter 11. DFH messages

While CICS is running, it can produce several types of messages:

- Console messages advise the system operator of execution progress, or request a decision.
- Certain CICS-supplied support programs communicate directly with terminal operators.
- CICS management modules and support programs log significant events and error occurrences to transient data destinations; for example, to the control system master terminal (CSMT), or to the CICS database control log (CDBC) for the CICS-DBCTL interface.
- The CICS message switching program (DFHMSP) generates message switching responses (described in the *CICS Supplied Transactions* manual).
- CICS directs informational macro notes (mnotes) to programmers (these are not documented).
- Messages produced by CICS/ESA utility programs such as DFH\$MOLS and DFHMNDUP. These messages are self-explanatory and are not documented.

All of the CICS messages described in this book can also be viewed online using the CICS transaction CMAC. For guidance on using CMAC, see the *CICS Supplied Transactions* manual.

Message Identifiers

Message identifiers are of two types.

DFHnnnn identifiers

These consist of the prefix “DFH” followed by a four digit message number. “DFH” is the IBM assigned identifier for CICS modules. The first two digits are the CICS module reference code as follows:

01 DFHSSIN	55 DFHCSDUP
42 DFHZCNR	56 DFHCSDUP
51 DFHCSDUP	7x Command-level translators
52 DFHCSDUP	

The last two digits are assigned by CICS to identify the message or group of messages within an assembled program.

DFH messages

DFHccnnnn identifiers

These consist of the prefix “DFH” followed by a two-letter component identifier (*cc*), and a four-digit message number (*nnnn*). The component identifier shows the domain or the component which issues the message. Here is a list of component identifiers with associated domains and components:

AC The abnormal condition program component	DX The CICS database control component
AI The auto-install terminal model manager (AITM)	EM The Event Manager domain
AM The RDO allocation manager	ER The user backout program
AP The application domain	EX The external CICS interface
AU The transaction affinities utility	FC The file control component
BA The Business Application Manager (BAM) domain	FE The FE terminal test program component
BR Bridging to 3270 transactions	IC The interval control program
CA RDO command utility routine	IN The indoubt testing tool
CC The CICS catalog domain (local and global)	IR The interregion component
CE The sign on program component	JC The online journal control component
CF CICS coupling facility data tables server	KC The transaction/profile manager
CP The CPI Communications component	KE The kernel domain
CR The ISC remote scheduler component	LD The loader domain
CZ The CICS class libraries domain	LG The logger domain
DB The CICS database control component	LM The lock manager domain
DD The directory manager	MC The BMS message control program component
DM The domain manager domain	ME The message domain
DS The dispatcher domain	MN The monitor domain
DU The dump domain	MU The message editing utility program
	MV The MVS RESMGR exit stub
	NQ The enqueue manager domain
	PA The parameter manager domain

DFH messages

PC The program control program component	TC The terminal control program component
PD The print dump exit routine DFHPDX	TD The transient data component
PG The program manager domain	TF The terminal facility manager
PR The partner resource manager	TI The timer domain
PS The system spooler interface control module component	TM The system termination program component
RD The RDO allocation manager	TO The terminal object resolution program component
RM The recovery Manager	TP The BMS terminal page retrieval program component
RP CICS ONC RPC	TR The trace domain
RS The communications resynchronization program	TS The temporary storage domain
RT The ISC transaction routing component	UP The measured usage license charging support macro
RU The recovery utility program	US The user domain
RX The RRS-coordinated EXCI domain	WB The CICS Web Interface
SH The Scheduler domain	XA The XRF alternate component
SI The system initialization component	XC The XRF CICS availability manager
SK The sub task control program component	XG The XRF general component
SM The storage manager domain	XM The transaction manager
SN The signon component	XO The XRF CICS availability manager
SO The CICS sockets domain	XQ The shared temporary storage queue pool server
SR The system recovery component	XS The CICS security component
ST The statistics domain	ZC The terminal control working set component
SZ The front end programming interface (FEPI)	ZE The TCP error message writer component
	ZN The syncpoint component

Thus the CICS message DFHAP0002 is issued from the application domain, identified by the two-character identifier AP.

DFH messages

Action codes

Certain messages (for example, DFHDB8208D) include an action code after the message identifier. Action codes give guidance to the operator of the type of action needed when the message appears on the system console.

The following action codes are used:

- A** Immediate action (for example, mount a tape)
- D** Immediate decision (reply to a request, for example, enter "GO" or "CANCEL")
- E** Eventual – action is required, but does not have to be taken immediately
- I** No action required (If issued via the message domain, these messages can be suppressed by specifying MSGLVL=0 as a system initialization override.)

Severity codes

Certain messages, especially those associated with messages to terminal operators and messages which come from CICS utilities, have a severity code. (DFHST0210 I, is an example.) A severity code indicates to the operator whether a message is associated with an error, and if so, how serious it is. The following severity codes are used:

- E** Error. Something has gone wrong and action is required of the user before CICS processing can continue.
- I** Information only. No action is required.
- W** Warning. Something may have gone wrong, a program loop for example, but CICS processing continues.
- S** Severe error. Something serious has gone wrong and immediate action is required. CICS processing is suspended until action has been taken.

DFH messages

Format of information

Information about each message is presented in the following format:

- **Message identifier** – in the form DFHnnnn or DFHccnnnn
- **Message text** – the words and inserts which make up the message as displayed in CICS
- **Explanation** – the events leading to or following the production of the message
- **System action** – the action that has been or will be taken by CICS
- **User response** – the action recommended for the user (the console or terminal operator or system programmer)
- **Destination** – the device or log to which the message is sent. This is one of the following:
 - Console – refers to a terminal type attached to CICS. (Route codes are 2 and 11 unless otherwise stated.)
 - Terminal end user
 - TERMCDBC – terminals running the CDBC transaction.
 - SYSPRINT (System printer)
 - One of the following transient data queues:

CADL	VTAM resource definition log
CAFF	Transaction affinities utility messages
CAIL	Autoinstall terminal model manager (AITM) log
CCPI	Common programming interface for communications (CPI Communications) messages
CDBC	CICS-DBCTL interface log
CDB2	CICS DB2 messages
CDUL	Transaction dump messages
CMIG	Migration log for messages reporting the use of functions that are no longer supported
CPLD	PL/I dumps
CPLI	PL/I sysprint output
CRDI	Log for installed resource definitions
CRPO	ONC RPC messages
CSDL	CEDA command log
CSCS	Sign on/off security log
CSFL	File allocation and related messages
CSKL	Log for transaction and profile resource definitions
CSMT	Write term errors and abends from DFHTACP and DFHACP
CSPL	Log for program resource definitions

DFH messages

CSQL	TDQUEUE messages
CSRL	Log for partner resource definitions
CSSL	Statistics log
CSTL	Term I/O error messages from DFHTACP
CSML	Sign on/off messages
CSNE	Terminal error messages issued from DFHZNAC.
CSZL	FEPI message queue
CWBO	CICS Web Interface messages

Note: Destination CXRF is used by the alternate CICS system in an XRF environment until the other destinations are made available during the takeover.

- **Module(s)** – the name(s) of the module or modules that determined that the message should be sent. (This is not necessarily the module that issued the macro to write the message.)

XMEOUT parameters –

Messages that can drive the XMEOUT global user exit include a list of XMEOUT parameters. The XMEOUT exit allows you to suppress or reroute messages that use the message domain. For programming information about the XMEOUT user exit see the *CICS Customization Guide*

Route codes –

Console messages can be sent to a number of console types. The type of console to which a particular message is sent is determined by the MVS route code. Each route code maps onto one console type. The meanings of the route codes normally used by CICS are as follows:

Code Meaning

- | | |
|---|---|
| 1 | Master console action – indicates a change in system status demanding operator action |
| 2 | Master console information – indicates a change in system status (system default) |
| 3 | Tape pool status or other tape related information |
| 4 | Direct access pool status or other related information |
| 5 | Tape library information |
| 6 | Disk library information |
| 7 | Unit record pool information |
| 8 | Teleprocessing control status |
| 9 | System security checking |

Note: This route code suppresses the operator's reply on the screen and on SYSLOG

- | | |
|----|---|
| 10 | System error or maintenance information |
|----|---|

DFH messages

11 Programmer information for the MVS log

Unless otherwise stated, console messages have the route codes '2' and '11'.

Message editing –

You can use the message editing utility to change the text or language of those CICS messages that are issued via the message domain. Messages that cannot be changed using the utility include a note to this effect before the message destination. See the *CICS Operations and Utilities Guide* for more information about the message editing utility.

Console message reformatting –

The “console message handling facility” is an optional feature of the CICS subsystem that can affect the appearance of CICS messages displayed on an MVS console. It is effective when you specify `FORMATMSG=YES` as an initialization parameter for the CICS subsystem, as described in the *CICS Transaction Server for OS/390 Installation Guide*. When this facility is used, it affects messages displayed on MVS system consoles in the following ways:

- The subsystem tries to ensure that all console messages issued by all CICS regions have a standard format. The standard format is:

```
Column number:   1           13           22
                  |           |           |
                  +DFHnnnn  applid  message-text
```

The “plus” sign (+) is added by MVS to indicate that a problem-state program issued the message. It is not present when CICS issues the message while it is in supervisor state.

The applid inserted into the message is the specific application identifier. This is the identifier that is specified in the system initialization parameter `APPLID`. It is the only operand when `XRF=NO` is also specified, or the second operand when `XRF=YES` is also specified.

- The subsystem adds routecodes specified in the `ROUTECODES` subsystem initialization parameter, so the messages might be sent to more console destinations than those implied in the body of this book.
- The subsystem reformats messages for all CICS releases, even those issued by CICS/OS/VS Version 1.
- The subsystem does not reformat messages that are issued by a CICS region that has not yet determined its applid. This includes messages that are issued while processing the system initialization table and its overrides.

DFH messages

- The subsystem routine that reformats the messages does not receive control until **after** the message has been recorded in the CICS job's job log. Therefore, the reformatting is not usually apparent in the job log.
- Messages issued by the message domain already contain the applid. The subsystem does not insert the applid into such messages, but it might insert blank characters to cause alignment into standard locations.
- If the original CICS message is a long one, adding the applid in the standard position might cause the message to exceed the maximum length for an MVS console message. In this case, the original message is suppressed (does not appear on the console), and a new message is issued using the MVS multiple-line console message service to split the message over several lines. Both the original message and perhaps several instances of the reformatted multiple-line message appear in the job log, but only one copy of the reformatted message is displayed on the console.
- For some messages where the applid normally follows a time and date stamp, inserting the applid in the standard position would have resulted in the applid being duplicated within the message. For these messages, the subsystem eliminates the time and date stamp, since they are available from other sources, and only one occurrence of the applid is shown.

Terminal identifiers –

Some messages include a terminal identifier (*termid*) in the message text. This is normally shown as a 4-character identifier. However, when CICS cannot completely identify a terminal – for example, when intersystem communication is taking place, the terminal identifier is prefixed by the application identification (*applid*) of the system owning the terminal.

Abend code inserts –

The transaction abend code insert (*abcode*) in some CICS messages is displayed as '????' when neither the EXEC CICS ABEND request nor the DFHPC TYPE=ABEND macro request specifies an abend code.

Dumps –

A dump is generally available for printing when a CICS system abend or abnormal termination occurs, provided the relevant data set has been specified. The dump can be used for problem determination.

DFH messages

Terminology –

The terms “abnormally terminates” and “abnormal termination” are frequently used in a general sense to relate, as applicable, to one of the following:

- The termination of CICS as a result of an MVS ABEND macro. (The term “abend” may also be used.)
- The termination of a transaction (task) as a result of a CICS transaction ABEND macro.

MVS user abend codes

DFH messages which accompany a CICS system, utility, or subtask abend have an associated MVS user abend code. Where possible, the value of this code is the numeric part of the corresponding DFH message. Thus DFH0305 has an 0305 user abend code. If an MVS abend code is issued but not the associated CICS message, the problem probably does not originate with CICS. See the description of the MVS abend code in the *MVS System Codes* manual for further information.

The highest possible value of an MVS user abend code is 4095, therefore any DFH message with a number higher than 4095 has an MVS user abend code that does not follow the above convention. The following are lists of the abend codes for messages with numbers above 4095, in order of abend code, and in order of message number.

Ordered by abend code

DFH messages

0108	DFH5263
0121	DFH5100
0123	DFH5175
0125	DFH5180
0126	DFH5184
0127	DFH5148
0147	DFH5721
0148	DFH5722
0149	DFH5723
0150	DFHER5724
0151	DFHER5725
0152	DFH5754
0161	DFHAK5802
0162	DFHAK5803
0170	DFHPS5394
0184	DFHJC4534
0185	DFHJC4530
0190	DFHXG6450
0191	DFHXG6451
0192	DFHXG6452
0193	DFHXG6453
0194	DFHXG6454
0195	DFHXG6440
0196	DFHXG6441
0197	DFHXG6442
0198	DFHXG6443
0200	DFHXA6540
0201	DFHXA6541
0202	DFHXG6444
0203	DFHXG6430
0204	DFHXA6530
0205	DFHXG6439
0206	DFHXG6415
0207	DFHXA6523
0209	DFHXG6427
0210	DFHXA6528
0211	DFH6529
0213	DFHXG6524
0214	DFHXA6580
0220	DFHXO6700
0221	DFHXO6704
0222	DFHXO6702
0223	DFHXO6703
0224	DFHXO6720

DFH messages

Ordered by message identifier

DFHAK5802	0161
DFHAK5803	0162
DFHER5724	0150
DFHER5725	0151
DFHJC4530	0185
DFHJC4534	0184
DFHPS5394	0170
DFHXA6523	0207
DFHXA6528	0210
DFHXA6530	0204
DFHXA6540	0200
DFHXA6541	0201
DFHXA6580	0214
DFHXG6415	0206
DFHXG6427	0209
DFHXG6430	0203
DFHXG6439	0205
DFHXG6440	0195
DFHXG6441	0196
DFHXG6442	0197
DFHXG6443	0198
DFHXG6444	0202
DFHXG6450	0190
DFHXG6451	0191
DFHXG6452	0192
DFHXG6453	0193
DFHXG6454	0194
DFHXG6524	0213
DFHXO6700	0220
DFHXO6702	0222
DFHXO6703	0223
DFHXO6704	0221
DFHXO6720	0224
DFH5100	0121
DFH5148	0127
DFH5175	0123
DFH5180	0125
DFH5184	0126
DFH5263	0108
DFH5721	0147
DFH5722	0148
DFH5723	0149
DFH5754	0152
DFH6529	0211

Notes:

1. All messages which appear in the JES job log are prefixed by a time stamp and job number. Because of this, some messages will have their message text truncated. If the full message text is required, consult the MVS log as all messages in the JES log are duplicated in the MVS system log.
2. User abend 0225 is internal to CICS. It is issued by DFHDTES when, during backout, an entry in a hash table has been marked empty where

DFH messages

it should not be possible. This causes the CICS region to be abnormally terminated. If this abend occurs, you will need help to resolve the problem. See Part 4 of the *CICS Problem Determination Guide* for guidance on how to proceed.

DFH messages

Chapter 12. Transaction abend codes

When abnormal conditions occur, CICS can send a message to the CSMT transient data destination containing the transaction ID, the program name and the abend code. Here is an example:

```
DFHAC2236 date time applid Transaction tranid abend primary abcode in program
          program name term termid backout successful

          { batchid = }batchid. message
```

Alternatively, the application can intercept abends by including an active EXEC CICS HANDLE ABEND command. The actual abend code can be determined by issuing the EXEC CICS ASSIGN command with the ABCODE option.

The transaction identification code *tranid* usually consists of the 4 characters defined to CICS. However, when a transaction is initiated by using a light pen, an operator identification (OPID) card reader, or 3270 PA or PF keys (specified in the TASKREQ= operand), CICS creates an internal transaction identification in the form of a 1-byte 3270 attention identification (AID) code followed by 3 bytes of X'FF'.

The code that may actually appear in the message in place of the internally-created transaction identification will be *xx*, where xx is the character translation of the 3270 AID code. To prevent ambiguity, the user should avoid using these codes as transaction identifiers.

The keys, the light pen (LPA), and OPID, and their corresponding printed AID codes are given in the following list:

PF1	*F1*	PF13	*C1*	LPA	*7E*
PF2	*F2*	PF14	*C2*	OPID	*E6*
PF3	*F3*	PF15	*C3*	PA1	*6C*
PF4	*F4*	PF16	*C4*	PA2	*6E*
PF5	*F5*	PF17	*C5*	PA3	*6B*
PF6	*F6*	PF18	*C6*		
PF7	*F7*	PF19	*C7*		
PF8	*F8*	PF20	*C8*		
PF9	*F9*	PF21	*C9*		
PF10	*7A*	PF22	*4A*		
PF11	*7B*	PF23	*4B*		
PF12	*7C*	PF24	*4C*		

DFH messages

An abend code indicates the cause of an error that may have been originated by CICS or by a user program. For most of the abend codes described, a CICS transaction dump is provided at abnormal termination.

All CICS transaction abend codes *abcode* are 4-character alphanumeric codes of the form **A***xy*, where:

Aack 'M' is the IBM-assigned designation of a CICS transaction abend.

xx is the 2-character code assigned by CICS to identify the module that detected an error.

y is the 1-character alphanumeric code assigned by CICS.

Format of information

For each transaction abend code, the following information is given:

- An explanation of events leading to or following the message.
- The action that has been or will be taken by CICS (system action).
- The action recommended for the user (console or terminal operator).
- The module or modules that can determine that the message should be sent (not necessarily the module or modules that can issue the macro to write the message.)

Abend codes

Chapter 13. Transaction abend codes

For guidance about interpreting the transaction abend codes summarized below, see the *CICS Messages and Codes* manual.

Abend	Module	Explanation
AACA	DFHTFP,DFHACP	Invalid error code
AALM	DFHAMLM	Error has occurred on call to Log Manager (LM) domain
AALN	DFHAMTD	Error has occurred on call to the TD manager
AALO	DFHAMD2	Error has occurred on call to the CICS/DB2 table manager DFHD2TM
AALP	DFHAMPG	Error has occurred on call to the Program Manager
AALQ	DFHAMBA	Error has occurred on call to the Business Application Manager
AALR	DFHAMBA	Error has occurred on call to the Temporary Storage Manager
AALS	DFHAMBA	Error has occurred on call to the Global Enqueue Manager
AALT	DFHAMOP	Error has occurred on call to the Internet Inter-Orb Protocol Manager
AALU	DFHAMSO	Error has occurred on call to the Sockets Doamin Manager
AAL1	DFHALP	DFHALP was processing a request that deadlocked
AAL2	DFHALP	Unexpected response from suspend or resume allocated task
AAL3	DFHALP	Task purged before GETMAIN completed
AAL4	DFHALP	Error occurred on call to storage manager (SM) domain
AAL6	DFHALP	Error occurred on call to SIGNOFF_TERMINAL_USER
AAL7	DFHALP	Error occurred on call to schedule a remote terminal delete
AAMA	DFHAMP	Internal logic error in DFHAMP
AAMC	DFHAMP	Task purged before GETMAIN completed
AAMD	DFHAMP	Unexpected return code from DFHDMP, internal logic error
AAMF	DFHAMP	Unexpected return code from KE domain, internal logic error
AAMG	DFHAMP	Unexpected return code from DFHAFMT, internal logic error
AAMH	DFHAMP	Unexpected return code from DFHFCMT, internal logic error
AAMI	DFHAMP	Unexpected return code from DFHFCRL, internal logic error
AAMJ	DFHAMP	Irrecoverable error from DFHFCFS while installing a file

Abend codes

Abend	Module	Explanation
AAMK	DFHAMP	Irrecoverable error from DFHFCDN while installing a file
AAMN	DFHAMP	Unexpected return code from DFHPRPT, internal logic error
AAMO	DFHAMP	Invalid return code from DFHTOR
AAMP	DFHAMP	Unexpected return code from DFHPUP, internal logic error
AAMQ	DFHAMP	Partner resource manager is unavailable, failed to initialize
AAMS	DFHAMP	Unexpected return code from SM domain, internal logic error
AAMT	DFHAMP	Unexpected return code from DFHTMP, internal logic error
AAMZ	DFHAMP	Unexpected return code from DFHZCP, internal logic error
AAM1	DFHAMP	Unexpected response from DFHXMCL during install of TRANCLASS
AAM2	DFHAMP	Unexpected response from DFHXMCD during transaction definition install
AAOA	DFHCPI	Unsupported CPI verb
AAOB	DFHCPI	CPI verb with more than eight parameters
AAOC	DFHCPARH	Invalid number of parameters for CPI Communications call
AAOD	DFHPCBI	Task purged before GETMAIN request to SM domain completed
AAOE	DFHPCBA	Task purged before GETMAIN request to SM domain completed
AAOF	DFHPCBS	Task purged before GETMAIN request to SM domain completed
AAOG	DFHPCBA	Application attached with unsupported sync level
AAOH	DFHPCOJ	Journaling of data sent on CPI Communications mapped conversation failed
AAOI	DFHPCRI, DFHPCRW	Journaling of data received on CPI Communications mapped conversation failed
AAOJ	DFHCPIC	CPI Communications detected unexpected response from internal routine
AAOK	DFHCPIC	CPI Communications detected unexpected call to internal routine
AAOL	DFHPCCLR	CPI Communications made an invalid call to DFHLUC
AAOM	DFHPCCLR, DFHPCSRH	CPI Communications out of sync with DFHZUSR state machines
AAON	DFHPCCLR, DFHPCCLC	Unexpected response from DFHLUC to CPI Communications
AAOO	DFHCPARH	CPI Communications invoked with invalid first parameter
AAOP	DFHPCFCS	Impossible situation requested for CPI Communications

Abend codes

Abend	Module	Explanation
AAOQ	DFHPCPFS	CPI Communications return code has no entry in state table
AAOR	DFHCPIC	CPI Communications detected invalid value in conversation control block
AAOS	DFHCPIC	CPI Communications finds unexpected RESET for conversation state
AAOT	DFHPCPBI	CPI Communications chain error in conversation control blocks
AAOU	DFHPCPBI	CPI Communications error processing initialize conversation request
AAOV	DFHPCPFS	CPI Communications internal state table corrupted
AAOW	DFHCPCLC	Internal logic error in DFHCPCLC
AAOX	DFHCPIC	CPI Communications has detected bad syncpoint return code
AAOY	DFHPCPRB	Invalid LL field while CPI Communications receives mapped conversation
AAOZ	DFHPCPRB	Invalid ID field while CPI Communications receives mapped conversation
AAO2	DFHPCPBA	Unexpected response from DFHLUC to CPI Communications
AAO3	DFHCPI	Call to CPI Communications without initialization
AAO4	DFHCPCLR	Logic error detected by DFHZARL
AAO5	DFHPCPBA, DFHPCPBI, DFHPCPBS	Task purged before GETMAIN completed
AAO7	DFHPCSRH	Invalid DFHLUC parameter list passed to CPI Communications
AAO8	DFHPCSRH	Invalid Conversation Control Block (CPC) passed to CPI Communications
AAO9	DFHCPCLR	Task purge detected
ABAC	DFHBASP	EXEC CICS RETURN issued for activity executed with RUN command.
ABAD	DFHBASP	EXEC CICS RETURN ENDACTIVITY issued for activity executed with RUN command.
ABAE	DFHEIBAM	EXEC CICS RETURN issued for activity executed with LINK command.
ABAF	DFHEIBAM	EXEC CICS RETURN ENDACTIVITY issued for activity executed with LINK command.
ABLA	DFHMCP, DFHMCPE, DFHM32, DFHPBP, DFHRLR	Task purged before GETMAIN request to SM domain completed
ABLB	DFHMCP, DFHMCPE, DFHM32, DFHPBP, DFHRLR	Error on call to SM domain

Abend codes

Abend	Module	Explanation
ABMA	DFHPBP, DFHMCP	TIOA = 0 or < (storage accounting length - 12)
ABMB	DFHPBP, DFHMCP	Cursor position larger than current screen size
ABMC	DFHMCX, DFHMCP	CMSG tran attempt to send to greater number of terminals than possible
ABMD	DFHTPP, DFHTPR	Unexpected return code from send DFHTPR or DFHTPP
ABME	DFHTPP, DFHTPR	DFHTPR or DFHTPP detected invalid datastream during BMS request
ABMF	DFHPBP	Send length too large
ABMG	DFHMCP, DFHTPQ	BMS service not present
ABMI	DFHMCP, DFHMCX, DFHMCY	Not input map
ABML	DFHRLR	Terminal control locate routine received invalid data
ABMM	DFHPBP	Invalid map specified
ABMO	DFHMCP, DFHMCX, DFHMCY	Not output map
ABMQ	DFHQRY	Task not terminal-oriented or terminal not defined to CICS correctly
ABMR	DFHTPR	CPSG initiated but task not terminal-oriented
ABMU	DFHMCP, DFHEMS	Address not within region boundaries
ABMV	DFHRLR	Invalid route list entry
ABMX	DFHPBP	Invalid set attribute order in text
ABMZ	DFHMCP, DFHMCX, DFHMCY	TIOA address in TCTTEDA is zero
ABM0	DFHMCP, DFHMCX, DFHMCY	Map could not be located
ABM1	DFHRLR	BMS service requested from non-BMS-supported terminal
ABM2	DFHMCP	No user data for BMS request
ABM3	DFHMCP	BMS service requested from a non-terminal-oriented task
ABM4	DFHMCP, DFHTPP	BMS issued invalid request response to temp storage PUT or PUTQ
ABM5	DFHMCP, DFHTPR	Purge request issued with invalid REQID by BMS
ABM6	DFHMCP	CSPS not installed
ABM7	DFHPBP	Trailer too large
ABM8	DFHPBP	Justify parameter zero or too large for page
ABM9	DFHPBP	Header or trailer too large

Abend codes

Abend	Module	Explanation
ABNA	DFHTPS	No route list supplied
ABNB	DFHTPS	Invalid TCTTE type for principal facility of the task
ABNC	DFHTPS	Access temporary storage queue failed
ABNE	DFHTPS	Error response from BMS ROUTE or STORE request
ABNF	DFHTPS	Transaction not in send mode when sent to remote system
ABNG	DFHTPS	Attach received from remote system without data
ABNH	DFHTPS	Ship data to remote system failed
ABNI	DFHTPS	No profile for LU6.2 transaction routing request
ABNJ	DFHTPS	Task purged before GETMAIN complete
ABNK	DFHTPS	Error on call to storage manager domain
ABRC	DFHBRMS, DFHBRTC	Bridge exit not defined and could not be autoinstalled
ABRD	DFHBRMS, DFHBRTC	Bridge exit is disabled
ABRE	DFHBRMS, DFHBRTC	Bridge exit could not be loaded
ABRF	DFHBRMS, DFHBRTC	Bridge exit is defined as remote
ABRG	DFHBRXM	An invalid bridge facility token was specified
ABRH	DFHBRXM	The bridge facility token specified is in use by another transaction, or has been discarded
ABRI	DFHBRXM	There are no free bridge facility tokens available
ABRJ	DFHBRXM	An invalid FACILITYLIKE value was specified
ABRK	DFHBRXM	The bridge exit returned an invalid brxa_resp value
ABRN	DFHBRIC, DFHBRMS, DFHBRSP, DFHBRTC	The USERID check failed following call to the bridge exit
ABRQ	DFHBRMS, DFHBRTC	The bridge exit issued an abend
ABRR	DFHBRXM	The user transaction's profile could not be found
ABRS	DFHBRXM	CICS was unable to obtain storage to create bridge facility
ABRY	DFHBRMS, DFHBRTC	CICS returned an unexpected error running the bridge exit
ABRZ	DFHBRIC, DFHBRMS, DFHBRSP, DFHBRTC, DFHXMBR	The bridge exit returned invalid data in the BRXA
ABR3	DFHEMS	An unsupported BMS request was received by the bridge exit
ABSA	DFHTBS	A message passed to DFHBSMSG is too long - CICS internal error
ABXA	DFH0CBRF	Wrong type of RECEIVE vector in input message
ABXC	DFH0CBRE	Error on SYNCPOINT request issued by bridge exit

Abend codes

Abend	Module	Explanation
ABXD	DFH0CBRE	Error when SYNCPOINT ROLLBACK request issued by bridge exit
ABXE	DFH0CBAE,DFH0CBRE	Bad data passed on BRDATA parameter of START command
ABXF	DFH0CBAE,DFH0CBRE	Error detected by bridge exit inputting next message
ABXG	DFH0CBAE,DFH0CBRE	Error detected by bridge exit outputting next message
ABXH	DFH0CBRF	No data available in message - transaction is non conversational
ABXI	DFH0CBAE,DFH0CBRE	Message received by bridge exit exceeds maximum message size
ABXJ	DFH0CBAE,DFH0CBRE	Bridge exit detected error in MQCIH passed by client application
ABXK	DFH0CBAE,DFH0CBRE	Bridge exit detected error in data passed on BRDATA parameter
ABXM	DFH0CBAE,DFH0CBRE	Bridge exit detected error with unsupported function or command
ABXN	DFH0CBRF	Bridge exit detected input message was truncated
ABXO	DFH0CBRF	Bridge exit detected error in BRMQ vector passed by client application
ABXP	DFH0CBRF	Bridge exit detected error in BRMQ vector header passed
ABXQ	DFH0CBRF	Bridge exit could not find ADSD vector as part of BRMQ-RM vector
ABXS	DFH0CBRE	Bridge exit detected error trying to open queue for input/output
ABX1	DFH0CBAE,DFH0CBRE	Bridge exit detected error with invalid BRXA-HEADER - storage overwrite
ABX2	DFH0CBAE,DFH0CBRE	Bridge exit detected error with invalid BRXA-TRANSACTION-AREA - storage overwrite
ABX3	DFH0CBAE,DFH0CBRE	Bridge exit detected error with unsupported BRXA-COMMAND-AREA - storage overwrite
ABX5	DFH0CBAE,DFH0CBRE	Bridge exit detected error without a user-area - error in bridge exit
ABX6	DFH0CBAE,DFH0CBRE	Bridge exit detected error with invalid user-area - storage overwrite or error in bridge exit
ABX7	DFH0CBRF	TC command passed to bridge exit exceeded maximum message size
ABX8	DFH0CBRF	BMS BRMQ vector does not contain mapset requested
ABX9	DFH0CBRF	Next BMS BRMQ vector does not contain mapname requested
ACAA	DFHCAP	Parameterized resource definition contains invalid resource type code
ACAD	DFHCAP	Parameterized resource definition contains invalid resource type code
ACAI	DFHCAP	Invalid function code for domain call to DFHCAP
ACAJ	DFHCAP	Preallocated dynamic storage area too small

Abend codes

Abend	Module	Explanation
ACAM	DFHECBAM	Internal Error in CBAM transaction
ACCx		C/370 errors. See the <i>C/370 User's Guide</i> for further information.
ACFA	DFHFCDL	Abend during loading of CFDT by CFCL transaction
ACFB	DFHEIFC	Request to CFDT is reliant on lock acquired before server failed
ACFC	DFHEIFC	Attempt to reopen access between CICS file and CFDT failed
ACFD	DFHFCDL	Call to CICS Txn Manager returned response and processing cannot continue
ACFE	DFHFCDL	Transaction not internally attached to CICS
ACHA	DFHCHS	Remote server transaction is incorrect level
ACHB	DFHCHS	Remote server received frame out of sequence
ACHC	DFHCHS	Remote server did not receive expected acknowledgement type data frame
ACHD	DFHCHS	Remote server did not receive expected response type data frame
ACHE	DFHCHS	Remote server received unexpected data frame
ACHF	DFHCHS	Remote server sent more than one data frame
ACHG	DFHCHS	Remote server sent data when not in correct mode
ACHH	DFHCHS	Remote server has no TIOA for data
ACHI	DFHCHS	Remote server received unexpected return code
ACHJ	DFHCHS	Remote server cannot return error condition to CICS/CMS
ACHK	DFHCHS	Logic error in transformer program request
ACHL	DFHCHS	Remote server buffer too small
ACHM	DFHCHS	Remote server response retry limit exceeded
ACHN	DFHCHS	Remote server request retry limit exceeded
ACHO	DFHCHS	Remote server reply retry limit exceeded
ACHP	DFHCHS	Remote server reply has insufficient storage
ACHR	DFHCHS	Failure of the CICS/CMS remote server transaction (CEHS)
ACHS	DFHCHS	Failure of the CICS/OS2 remote server transaction (CEHP)
ACL0	ICCGLBIC	Insufficient storage available to CICS region
ACL1	ICCGLBIC	CICS Foundation Classes have thrown an exception - application manager failed to catch it
ACL2	ICCRESEC	CICS Foundation Classes invoked default handleEvent method defined in class IccResource
ACL3	ICCRESIC	CICS Foundation Classes responded to an application programmer's request to abend CICS task
ACL4	ICCGLIBC	CICS Foundation Classes detected an internal error
ACL5	ICCBASEC	CICS Foundation Classes received an error from CICS GETMAIN
ACL6	ICCBASEC	CICS Foundation Classes detected an error processing storage release request

Abend codes

Abend	Module	Explanation
ACL7	ICCGLBIC	CICS Foundation Classes have thrown an exception the application programmer failed to catch
ACL8	ICCGLBIC	CICS Foundation Classes have thrown an exception the application programmer failed to catch
ACL9	ICCRSIC	CICS Foundation Classes responded to a request to abenda CICS task.
ACLA	ICCGLIBC	CICS Foundation Classes detected an internal error.
ACLB	ICCGLIBC	CICS Foundation Classes detected an internal error.
ACLC	ICCGLIBC	CICS Foundation Classes detected an internal error.
ACLD	ICCGLIBC	CICS Foundation Classes detected an internal error.
ACLE	ICCGLIBC	CICS Foundation Classes detected an internal error.
ACLF	ICCGLIBC	CICS Foundation Classes detected an internal error.
ACLG	ICCGLIBC	CICS Foundation Classes detected an internal error.
ACLH	ICCBASEC	CICS Foundation Classes detected an error while processing a storage release request.
ACNA	DFHCCNV	Table DFHCCNV could not be loaded
ACNB	DFHCCNV	Program DFHUCNV cannot be linked
ACN1	DFHCCNV	Table DFHCCNV could not be loaded
ACN2	DFHCCNV	Table DFHCCNV has wrong format in first record
ACN3	DFHCCNV	Program DFHUCNV could not be linked
ACN4	DFHCCNV	Unrecognized format of DFHCCNV table encountered
ACN5	DFHCCNV	Override for default client code page received and unrecognized
ACN6	DFHCCNV	Conversion between client code page and server code page not supported by CICS/390
ACN7	DFHCCNV	Override for default binary format received and unrecognized
ACN8	DFHCCNV	FIELD defined as having GRAPHIC characters and client code page and server code page imply FIELD contains only SBCS characters
ACN9	DFHCCNV	Table DFHCCNV could not be loaded
ACP1	DFHCPY	Bad DFHIC TYPE=GET response code
ACP2	DFHCPY	Bad DFHIC TYPE=INITIATE response code
ACQA	DFHCLS5	Connection Quiesce Protocol txn not intended to be initiated this way
ACQB	DFHCLS5	Connection Quiesce Protocol txn encountered an error
ACQC	DFHCLS5	Connection Quiesce Protocol txn encountered an error
ACRA	DFHAPRT	Relay program invoked without terminal as principal facility

Abend codes

Abend	Module	Explanation
ACRB	DFHAPRT	Relay program invoked by transaction not defined as remote
ACRC	DFHAPRT	Invalid response from DFHZCX
ACRD	DFHAPRT	System entry not found
ACRE	DFHAPRT	Link is out of service
ACRF	DFHAPRT	Dynamic routing program incorrectly initiated
ACRG	DFHAPRT	No matching entry in AID chain for ATI initiated remote transaction
ACRH	DFHAPRT	Profile could not be found
ACRI	DFHAPRT, DFHEPC	Dynamic transaction routing program could not be linked
ACRJ	DFHAPRT, DFHEPC	Dynamic transaction routing program has abended
ACRK	DFHAPRT	Relay program invoked with no address for principal facility
ACRL	DFHAPRT	The task does not own the facility
ACRM	DFHAPRT	Dynamic routing program INITIAL_LINK failure
ACRO	DFHCRQ	Attempt to invoke CRSQ from a terminal
ACRP	DFHAPRT	SYDID does not support a routable start
ACSA	DFHCRS	Remote scheduler task (CRSR) does not own intersystem link TCTTE
ACSB	DFHCRS	Invalid reply to schedule request
ACSC	DFHCRS	Unexpected request received from remote system
ACSD	DFHCRS	Internal logic error detected
ACSE	DFHCRS	DFHCRS attached in unsupported manner
ACSF	DFHCRS	Task purged before GETMAIN to SM domain successful
ACSG	DFHCRS	Error on call to SM domain
ACSH	DFHCRS	Sync level mismatch for processing APPC data
ACSI	DFHCRS	APPC conversion failure when attaching between systems
ACSJ	DFHCRS	Unexpected response on call to RM domain
ACSL	DFHCRS	Unable to perform CDTs request or CFTS request
ACSM	DFHCRS	Transaction CFTS has abended
ACSN	DFHCRS	Transaction CFTS has stalled
ACTA	DFHZTSP	Relay program in TOR had unexpected request from AOR
ACTB	DFHZTSP	Relay program in TOR WRITE, LAST request failed
ACTC	DFHZTSP	Relay program in TOR failed to free session
ACTD	DFHZTSP	Relay program in TOR WRITE, WAIT, READ request failed
ACTE	DFHZTSP	Relay program in TOR failed to free session
ACTF	DFHZTSP	Relay program in TOR failed to free session
ACTG	DFHZTSP	Relay program in TOR received invalid region response
ACTH	DFHZISP	Privileged allocate issued against a remote LU6.2 system
ACTI	DFHCRT	TCTTE for session not owned by task

Abend codes

Abend	Module	Explanation
ACTJ	DFHCRT	Principal facility of relay transaction not a TCTTE
ACTK	DFHZISP	Task purged before GETMAIN successful
ACTL	DFHZISP	Error on call to SM domain
ACUA	DFHZXRL	Request not supported for transaction routing
ACUB	DFHZXRL	TCTSE address missing from parameter list for ALLOCATE request
ACUC	DFHZXRL	TCTSE address not that of a remote LU6.2 terminal
ACUD	DFHZXRL	Profile DFHCICSR was not located as installed profile definition
ACUE	DFHZXRL	Request to DFHZTSP to build surrogate TCTTE not satisfied
ACUF	DFHZXRL	Session not allocated, request incorrectly specified
ACUG	DFHZXRL	Profile for ALLOCATE not located as installed transaction definition
ACUH	DFHZXRL	Requested session already owned by the TCA
ACUI	DFHZXRL	MODENAME named in profile not found
ACUJ	DFHZXRL	Maximum session count for modegroup is zero
ACUK	DFHZXRL	No TCT entry for TOR in TCTSE for remote terminal
ACUL	DFHZXRL	WRITE, WAIT, READ request failed
ACUM	DFHZXRL	Request to DFHZTSP to free surrogate TCTTE not satisfied
ACUO	DFHZXRL	Attempt to receive data from TOR failed
ACUP	DFHZXRL	Expected rollback not received
ACUQ	DFHZXRL	Attempt to receive data from TOR failed
ACUR	DFHZXRL	Expected rollback not received
ACUS	DFHZXRL	Attempt to receive data from TOR failed
ACUT	DFHZXRL	Expected rollback or syncpoint not received
ACUV	DFHZXRL	TC ISSUE ABEND on MRO link failed
ACUW	DFHZXRL	TC ISSUE ERROR on MRO link failed
ACUX	DFHZXRL	WRITE, WAIT, READ request failed
ACUY	DFHZXRL	TC WRITE, WAIT failed
ACUZ	DFHZXRL	WRITE, WAIT, READ request failed
ACU0	DFHZXRL	TC WRITE, LAST, WAIT failed
ACU1	DFHZXRL	Attempt to receive data from TOR failed
ACU2	DFHZXRL	Response from the TOR violates protocols
ACU3	DFHZXRL	AOR set of conversation state machine violates protocols
ACU4	DFHZXRL	Setting of conversation state machine failed
ACU5	DFHZXRL	Connection between two systems not installed
ACU6	DFHZXRL	DFHRTSU request for syncpoint failed
ACU7	DFHZXRL	Remote system connection not APPC or MRO connection
ACU8	DFHZXRL	Unexpected response and reason code from DFHRTSU
ACU9	DFHZXRL	Unexpected response and reason code from recovery manager
ACVA	DFHZXRT	TC WRITE, WAIT, or READ failed
ACVB	DFHZXRT	ISSUE SIGNAL on MRO link violates protocols

Abend codes

Abend	Module	Explanation
ACVC	DFHZXRT	ISSUE SIGNAL on LU6.2 link failed
ACVD	DFHZXRT	TC READ, WAIT failed
ACVE	DFHZXRT	TC WRITE failed
ACVF	DFHZXRT	TC WRITE, LAST, WAIT failed
ACVG	DFHZXRT	Attempt to free session with LU6.2 terminal failed
ACVH	DFHZXRT	Attempt to free session with AOR failed
ACVK	DFHZXRT	ISSUE ABEND on LU6.2 link failed
ACVL	DFHZXRT	TC ISSUE ABEND on MRO link failed
ACVM	DFHZXRT	ISSUE ERROR on LU6.2 link failed
ACVN	DFHZXRT	TC ISSUE ERROR on MRO link failed
ACVO	DFHZXRT	ISSUE PREPARE in TOR failed or violates protocols
ACVP	DFHZXRT	Expected FMH43 not received from AOR
ACVQ	DFHZXRT	Nonzero return code from APPC terminal
ACVR	DFHZXRT	TC SEND, LAST, WAIT failed
ACWA	DFHCWTO	CWTO transaction has failed, task started without a terminal ID
ACXA	DFHCXCU	Catch-up transaction, CXCUCU, has failed
ADCA	DFHDLIDP	Nonzero return code from DBCTL
ADCB	DFHDLIDP	No PSB scheduled for task
ADCC	DFHDLIDP	PSB already scheduled
ADCD	DFHDLIDP	Deadlock detected by IMS
ADCE	DFHDLIDP	Nonzero return code from DFHDBAT
ADCI	DFHDLIDP	User abend 3303 returned from IMS
ADCJ	DFHDLIDP	CICS-DBCTL interface terminated
ADCP	DFHDLIDP	PSB schedule request failed security check
ADCQ	DFHDLIDP	Invalid EXEC DLI SCHED request
ADCR	DFHDLIDP	No active communication with DBCTL
ADCS	DFHDBAT	Unexpected response from DBCTL to single phase commit request
ADCT	DFHDBCT	Attempt to invoke a CICS-DBCTL control transaction from a terminal
ADDA	DFHDBME, DFHDLI, DFHDLIDP	Error on call to SM domain
ADDB	DFHDBCON, DFHDBDSC	Error on call to CC domain
ADDC	DFHDBCON, DFHDBDI	Error on call to LD domain
ADDI	DFHDBCT	CICS cannot find DBCTL alternate after failure
ADDJ	DFHDBCON	CICS/DBCTL connect failure - DFHDBAT cannot be ENABLED
ADEF	DFHCLS3	Severe error executing transaction CLS3
ADIR	DFHDIP	Invalid DFHDI or DFHBMS request
ADLE	DFHDLIRP	DL/I request for remote database on unknown system
ADLF	DFHDLIRP	DL/I request for remote database, but link down
ADLG	DFHDLIRP	Errors in DL/I argument list for remote database request

Abend codes

Abend	Module	Explanation
ADLP	DFHDLIRP	PSB usage failed security check
ADMA	DFHDBCR	Error in DBCTL connection status
ADMB	DFHDBCR	Unrecognizable message from CICS/XRF message manager
ADMD	DFHDBCR	DBCTL connection status unable to complete search for DBCTLalternate.
ADPL	DFHEIP, DFHCPIR, DFHDLI	Restricted API command used in DPL environment
ADPM	DFHDLI	CALL AIBTDLI request issued for function type not supported by CICS
ADXA	DFHDXCU	XRF DBCTL state catch-up transaction, DXCU, has failed
ADXB	DFHDXCU	XRF DBCTL state catch-up transaction, DXCU, has failed
AD2A	DFHD2EX1	Error occurred on a LOCK call to LM domain
AD2B	DFHD2EX1	Error occurred on an UNLOCK call to LM domain
AD2C	DFHD2EX1	Unexpected EXCEPTION response occurred on locate call to DM domain
AD2D	DFHD2EX1	An error occurred on locate call to DM domain to locate DB2TRAN control block
AD2E	DFHD2EX1	Unexpected EXCEPTION response occurred on locate call to DM domain to locate a DB2ENTRY control block
AD2F	DFHD2EX1	An error occurred on locate call to DM domain to locate a DB2ENTRY control block
AD2G	DFHD2EX1	A transaction attempted to use a DB2ENTRY that is DISABLED or is DISABLING
AD2H	DFHD2EX1	The CICS-DB2 attachment facility detected that a dynamic plan exit program abended
AD2I	DFHD2EX1	The CICS-DB2 attachment facility failed to link to a dynamic plan exit program because it was not linked AMODE 31
AD2J	DFHD2EX1	The CICS-DB2 attachment facility failed to link to a dynamic plan exit program because it is disabled
AD2K	DFHD2EX1	The CICS-DB2 attachment facility failed to link to a dynamic plan exit program because no program definition was found
AD2L	DFHD2EX1	The CICS-DB2 attachment facility failed to link to a dynamic plan exit program because the program could not be loaded
AD2M	DFHD2EX1	The CICS-DB2 attachment facility failed to link to a dynamic plan exit program because the program is defined as remote
AD2N	DFHD2EX1	The CICS-DB2 attachment facility failed to link to a dynamic plan exit program
AD2O	DFHD2EX1	An error occurred on an WAIT_MVS call to DM domain

Abend codes

Abend	Module	Explanation
AD2P	DFHD2EX1	Transaction was unable to obtain a DB2 thread from a DB2ENTRY or pool
AD2Q	DFHD2EX1	An error occurred on a GETMAIN call to SM domain
AD2R	DFHD2EX1	The CICS-DB2 subtask processing DB2 request for this transaction has abended
AD2S	DFHD2EX1	The subtask servicing the DB2 request for transaction issued a sign-on request to DB2 which failed
AD2T	DFHD2EX1	An attempt to create a DB2 thread failed with DB2 reason code 00F30040
AD2U	DFHD2EX1	An attempt to create a DB2 thread by the subtask servicing the DB2 request failed
AD2V	DFHD2EX1	The CICS-DB2 attachment facility lost connection to DB2 (reason code 00F30805)
AD2W	DFHD2EX1	The CICS-DB2 attachment facility received an unexpected response to single-phase commit call to DB2
AD2X	DFHD2EX1	The CICS-DB2 attachment facility detected that the CICS task and thread subtask were in an invalid state
AD2Y	DFHD2EX1	The transaction was unable to obtain a DB2 thread from a DB2ENTRY or or pool - no TCBS available
AD2Z	DFHD2EX1	DB2 detected a deadlock and CICS-DB2 attachment facility attempted a syncpoint rollback command for transaction
AD21	DFHD2EX1	The CICS-DB2 attachment facility received a request for resource manager with incorrect name
AD22	DFHD2EDF	The CICS-DB2 attachment facility EDF processor was unable to interpret the SQL request
AD23	DFHD2EX2	An error occurred on LOCK call to LM domain
AD24	DFHD2EX2	An error occurred on an UNLOCK call to LM domain
AD25	DFHD2CC	An error occurred on LOCK call to LM domain
AD26	DFHD2CC	An error occurred on an UNLOCK call to LM domain
AD27	DFHD2EX1	The CICS-DB2 attachment facility attempted to attach a subtask which failed due to lack of storage
AD28	DFHD2EX1	The CICS-DB2 attachment facility attempted to attach a subtask which failed
AD29	DFHD2EDF	The CICS-DB2 attachment facility was unable to link to its EDF processor DFHD2EDF
AD3A	DFHD2STR	An error occurred on a LOCK call to LM domain
AD3B	DFHD2STR	An error occurred on an UNLOCK call to LM domain
AD3D	DFHD2CM1	Unexpected response while deleting a record from TS queue during processing of a DSNC STRT command
AD3G	DFHD2CM1	Unexpected response from EXEC CICS GETMAIN issued during processing of a CICS-DB2 DSNC command

Abend codes

Abend	Module	Explanation
AD3I	DFHD2CM1	Unexpected response from EXEC CICS INQUIRE DB2CONN issued during startup of the CICS-DB2 interface
AD3M	DFHD2CM1	Unexpected error occurred during processing of DSNB MODIFY command
AD3P	DFHD2CM1	Unexpected error occurred during processing of DSNB STOP command
AD3Q	DFHD2CM1	Unexpected response received reading a record from TS queue during processing of a DSNBX STRT command
AD3R	DFHD2STR	Unexpected response received reading a record from TS queue during startup of the CICS-DB2 interface
AD3S	DFHD2CM1	Unexpected response received from EXEC CICS SET DB2CONN command during startup of the CICS-DB2 interface
AD3T	DFHD2EX1	Transaction was unable to obtain a DB2 thread from the pool
AD3U	DFHD2EX1	Error on locate call to transaction manager domain
AD3W	DFHD2STR	Unexpected response received writing a record to TS queue during startup of CICS-DB2 interface
AD3X	DFHD2CM1	Unexpected response received writing a record to TS queue during startup of DSNB STRT command
AD3Z	DFHD2EX1	The CICS-DB2 subtask has abended because the DB2 adapter is being shutdown.
AEC1	DFHECIP, DFHECSP, DFHEMTP, DFHESTP, DFHEOTP, DFHEDAP	CECI, CEMT, or CEDA/B/C transaction attempted on unsupported terminal
AEC2	DFHECIP, DFHECSP, DFHEMTP, DFHESTP, DFHEOTP, DFHEDAP	CECI, CEMT, or CEDA/B/C tried to use too small a screen
AEC3	DFHAPLI	COBOL II failed to initialize a thread
AEC4	DFHAPLI	COBOL II failed to initialize a run-unit
AEC5	DFHAPLI	C/370 failed to initialize a thread
AEC6	DFHAPLI	C/370 failed to initialize a run-unit
AEC7	DFHAPLI	Language Environment/370 failed to initialize a thread
AEC8	DFHAPLI	Language Environment/370 failed to initialize a run-unit
AEC9	DFHAPLI	Language Environment/370 had error during RUNUNIT BEGIN INITIALIZATION phase
AEDA	DFHEDFX	CEDF started with invalid start code
AEDB	DFHEDFX	DFHEDFP passed invalid EDFXA

Abend codes

Abend	Module	Explanation
AEDC	DFHEDFX	EDF GETMAIN request failed
AEDD	DFHEDFX	EDF attach failed
AEDE	DFHEDFX	EDF suspend failed
AEDF	DFHEDFX	User task purged before control returned to EDF
AEDG	DFHEDFX	User task gone away while suspended, before control returned from EDF
AEDH	DFHEDFX	Failure of call to Program Manager
AED1	DFHEDFP, DFHEDFBR	Attempt to use EDF on unsupported terminal, using CEBR on unsupported device or CEBR initiated with a non-terminal principal priority
AED2	DFHEDFX	EDF has terminated a task
AED3	DFHEDFX	EDF has terminated a task
AED4	DFHEDFP	Internal logic error in DFHEDFP
AED5	DFHEDFD	Internal logic error in EDF - insufficient dynamic storage
AED6	DFHEDFU	Internal logic error in EDF
AED7	DFHEDFP	TWA size too small for CEDF transaction
AED8	DFHEDFX	Terminal control error in DFHEDFX
AED9	DFHEDFD	Temporary storage error in EDF
AEIA	DFHEIP	ERROR condition not handled
AEID	DFHEIP	EOF condition not handled
AEIE	DFHEIP	EODS condition not handled
AEIG	DFHEIP	INBFMH condition not handled
AEIH	DFHEIP	ENDINPT condition not handled
AEII	DFHEIP	NONVAL condition not handled
AEIJ	DFHEIP	NOSTART condition not handled
AEIK	DFHEIP	TERMIDERR condition not handled
AEIL	DFHEIP	FILENOTFOUND condition not handled
AEIM	DFHEIP	NOTFND condition not handled
AEIN	DFHEIP	DUPREC condition not handled
AEIO	DFHEIP	DEPKEY condition not handled
AEIP	DFHEIP	INVREQ condition not handled
AEIQ	DFHEIP	IOERR condition not handled
AEIR	DFHEIP	NOSPACE condition not handled
AEIS	DFHEIP	NOTOPEN condition not handled
AEIT	DFHEIP	ENDFILE condition not handled
AEIU	DFHEIP	ILLOGIC condition not handled
AEIV	DFHEIP	LENGERR condition not handled
AEIW	DFHEIP	QZERO condition not handled
AEIZ	DFHEIP	ITEMERR condition not handled
AEI0	DFHEIP	PGMIDERR condition not handled
AEI1	DFHEIP	TRANSIDERR condition not handled
AEI2	DFHEIP	ENDDATE condition not handled
AEI3	DFHEIP	INVTSREQ condition not handled
AEI4	DFHEIP	EXPIRED condition not handled
AEI8	DFHEIP	TSIOERR condition not handled
AEI9	DFHEIP	MAPFAIL condition not handled
AELA	DFHETL	Function purged before control returned

Abend codes

Abend	Module	Explanation
AELB	DFHEGL	Function purged before control returned
AEMA	DFHUEM	Error on call to AP domain
AEMB	DFHUEM	Error on call to LD domain
AEMP	DFHUEM	Task purged before set active request to AP domain completed
AEMQ	DFHUEM	Task purged before IDENTIFY_PROGRAM completed successfully
AETA	DFHERM	Task abended by DFHERM after using DFHRMCAL macro
AETC	DFHERM	Command issued with invalid TRUE
AETF	DFHERM	Task purged before completion of request to SM domain
AETG	DFHERM	Error on call to SM domain
AETH	DFHERM	Task purged before completion of request to SM domain
AETI	DFHERM	Error on call to SM domain
AETJ	DFHERM	Error on ADD_LINK call to RM domain
AETK	DFHERM	Error on SET_LINK call to RM domain
AETL	DFHERM	Error on SET_UOW call to RM domain
AETM	DFHRMSY	Error on INQUIRE_TRANSACTION call to XM domain
AETN	DFHRMSY	Error on INITIATE_RECOVERY call to RM domain
AETO	DFHRMSY	Error on INITIATE_RECOVERY call to RM domain
AETP	DFHRMSY	Error on TERMINATE_RECOVERY call to RM domain
AETQ	DFHRMSY	Error on INQUIRE_UOW call to RM domain
AETR	DFHRMSY	Error on INQUIRE_UOW call to RM domain
AETS	DFHRMSY	Error on INQUIRE_STARTUP call to RM domain
AEXC	DFHEIP	RESIDERR condition not handled
AEXF	DFHEIP	ESCERROR condition not handled
AEXG	DFHEIP	UOWLNOTFOUND condition not handled
AEXI	DFHEIP	TERMERR condition not handled
AEXJ	DFHEIP	ROLLEDBACK condition not handled
AEXK	DFHEIP	END condition not handled
AEXL	DFHEIP	DISABLED condition not handled
AEXU	DFHEIDTI, DFHEIQDS, DFHEIQSA, DFHEIQSC, DFHEIQSM, DFHEIQSP, DFHEIQST, DFHEIQSX	NOTPOSS condition raised on encountering invalid parameter
AEXV	DFHEIP	VOLIDERR condition not handled
AEXW	DFHEIP	SUPPRESSED condition not handled
AEXX	DFHEIP	TASKIDERR condition not handled
AEXY	DFHxxx	Transaction purged before control was returned For module list, see <i>CICS Messages and Codes</i>

Abend codes

Abend	Module	Explanation
AEXZ	DFHxxx	Command failed due to serious failure in CICS component For module list, see <i>CICS Messages and Codes</i>
AEX0	DFHEIP	TCIDERR condition not handled
AEX1	DFHEIP	DSNNOTFOUND condition not handled
AEX2	DFHEIP	LOADING condition not handled
AEX3	DFHEIP	MODELIDERR condition not handled
AEX4	DFHEIP	RECORDBUSY condition not handled
AEX5	DFHEIP	PARTNERIDERR condition not handled
AEX6	DFHEIP	PROFILEIDERR condition not handled
AEX7	DFHEIP	NETNAMEIDERR condition not handled
AEX8	DFHEIP	LOCKED condition not handled
AEX9	DFHEIP	RECORDBUSY condition not handled
AEYA	DFHEIP	INVERRTERM condition not handled
AEYB	DFHEIP	INVMPSTZ condition not handled
AEYC	DFHEIP	IGREQID condition not handled
AEYD	DFHSRP	Storage violation by CICS
AEYE	DFHEIP	INVLDC condition not handled
AEYG	DFHEIP	JIDERR condition not handled
AEYH	DFHEIP	QIDERR condition not handled
AEYJ	DFHEIP	DSSTAT condition not handled
AEYK	DFHEIP	SELNERR condition not handled
AEYL	DFHEIP	FUNCERR condition not handled
AEYM	DFHEIP	UNEXPIN condition not handled
AEYN	DFHEIP	NOPASSBKRD condition not handled
AEYO	DFHEIP	NOPASSBKWR condition not handled
AEYP	DFHEIP	SEGIDERR condition not handled
AEYQ	DFHEIP	SYSIDERR condition not handled
AEYR	DFHEIP	ISCINVREQ condition not handled
AEYT	DFHEIP	ENVDEFERR condition not handled
AEYU	DFHEIP	IGREQCD condition not handled
AEYV	DFHEIP	SESSIONERR condition not handled
AEYX	DFHEIP	USERIDERR condition not handled
AEYY	DFHEIP	NOTALLOC condition not handled
AEYZ	DFHEIP	CBIDERR condition not handled
AEY0	DFHEIP	INVEXITREQ condition not handled
AEY1	DFHEIP	INVPARTNSET condition not handled
AEY2	DFHEIP	INVPARTN condition not handled
AEY3	DFHEIP	PARTNFAIL condition not handled
AEY6	DFHUEM	Internal logic error in DFHUEM
AEY7	DFHEIP	NOTAUTH condition not handled
AEY8	DFHEIP	No DSA found on chain trying to free dynamic storage
AEY9	DFHEIP, DFHEEI	Invalid EXEC CICS command issued
AEZA	DFHEIP	AMODE 24 program defined in transaction with TASKDATALOC=ANY

Abend codes

Abend	Module	Explanation
AEZB	DFHERM	AMODE 24 task related user exit defined in transaction with TASKDATALOC=ANY
AEZC	DFHAPLI	AMODE 24 program defined in transaction with TASKDATALOC=ANY
AEZD	DFHAPLI	Attempt to run EXECKEY(USER) program in transaction with TASKDATAKEY(CICS) defined
AEZE	DFHEIP	CHANGE condition not handled - see AEIA
AEZF	DFHEIP	PROCESSBUSY condition not handled - see AEIA
AEZG	DFHEIP	ACTIVITYBUSY condition not handled - see AEIA
AEZH	DFHEIP	PROCESSERR condition not handled - see AEIA
AEZI	DFHEIP	ACTIVITYERR condition not handled - see AEIA
AEZJ	DFHEIP	CONTAINERERR condition not handled - see AEIA
AEZK	DFHEIP	EVENTERR condition not handled - see AEIA
AEZL	DFHEIP	TOKENERR condition not handled - see AEIA
AEZM	DFHEIP	NOTFINISHED condition not handled - see AEIA
AEZN	DFHEIP	POOLERR condition not handled - see AEIA
AEZO	DFHEIP	TIMERERR condition not handled - see AEIA
AEZP	DFHEIP	SYMBOLERR condition not handled - see AEIA
AEZQ	DFHEIP	TEMPLATERR condition not handled - see AEIA
AFCB	DFHEIFC	Unexpected response from DFHFCEI resource level security check
AFCC	DFHEIFC, DFHDMPCA	Internal logical error on calling file control request module DFHF CFR
AFCD	DFHEIFC	Irrecoverable error as table manager tries to locate AFCT
AFCE	DFHEIFC	A GETMAIN for FFLE storage failed
AFCF	DFHEIFC, DFHDMPCA	File control deadlock between tasks
AFCG	DFHEIFC, DFHDMPCA	File issued sequence of file control requests that would deadlock itself
AFCH	DFHEIFC	Request to disabled or closed table
AFCJ	DFHF CU	Task taking longer than DTIMEOUT interval specified for CSFU
AFCK	DFHDMPCA, DFHEIFC	File update request issued against RLS mode data set during backup
AFCL	DFHDTLX	Response could not continue during loading of Shared Data Table by CSFL txn
AFCM	DFHDTLX	Data table load failed
AFCN	DFHDMPCA, DFHEIFC	Journal record too large for journal buffer
AFCO	DFHDTLX	Transaction not internally attached by CICS on attempt to attach
AFCR	DFHEIFC, DFHDMPCA	SMSVSAM server address space has failed
AFCS	DFHEIFC, DFHDMPCA	SMSVSAM server address space was inactive
AFCT	DFHEIFC, DFHDMPCA	SMSVSAM server has been recycled since an earlier request from same UOW

Abend codes

Abend	Module	Explanation
AFCU	DFHEIFC, DFHDMPCA	Data set in lost locks state
AFCV	DFHEIFC, DFHDMPCA	Request against file in RLS mode unable to acquire record lock
AFCW	DFHEIFC, DFHDMPCA	FC request against file in RLS mode would cause deadlock
AFCY	DFHDMPCA, DFHEIFC	Transaction purged during file request
AFCZ	DFHDMPCA, DFHEIFC	Irrecoverable error response from DFHFCFR to its caller
AFC0	DFHEIFC, DFHDMPCA	Updating file after file control restart failed
AFC2	DFHFCU	Disastrous error from DFHFCFS on open file request
AFC7	DFHDMPCA	Disastrous error response from DFHFCFS to DFHDMPCA
AFDA	DFHFCQT	Attach of transaction failed - not internally attached by CICS
AFDB	DFHFCQT	Transaction not CFQS or CFQR
AFDC	DFHFCQT	CFQS failed due to serious error
AFDD	DFHFCQT	CFQR failed due to serious error
AFDE	DFHFCRD	Attach of transaction failed - not internally attached by CICS
AFDF	DFHFCOR	Attach of transaction failed - not internally attached by CICS
AFDG	DFHFCOR	CFOR failed due to serious error
AFDH	DFHEIFC, DFHDMPCA	VSAM RLS unable to create new locks - coupling facility full
AGMA	DFHGMM	No terminal specified for Good Morning transaction
AICA	DFHSRP	Task executing for longer than runaway time interval
AICB	DFHICP	RETRIEVE WAIT reissued in system shutdown
AICC	DFHTAJP, DFHICP	Incorrect response from a TI domain request
AICD	DFHICP	Incorrect response from a KE domain request
AICE	DFHICP	Incorrect response from a DS domain request (other than AICG)
AICF	DFHICP	Incorrect response from a TM domain request
AICG	DFHICP	PURGED response from DS request with reason code TASK_CANCEL
AICH	DFHICP, DFHEIIC	Task purged before request to SM domain completed successfully
AICJ	DFHICP	Error on call to SM domain
AICK	DFHEIIC	Invalid response from resource level security check
AICL	DFHEIIC	Invalid function code in the command level parameter list
AICN	DFHICP	Incorrect response from US domain request
AICO	DFHICXM	Unexpected EXCEPTION response on call to US domain

Abend codes

Abend	Module	Explanation
AICQ	DFHDFST	DFHDFST is executing at a terminal which is not permitted.
AICS	DFHDFST	DFHDFST has encountered an error during Retrieve processing.
AICT	DFHDFST	DFHDFST has encountered an error during START processing.
AICR	DFHCRR	Failure of DFHTC write request for IRC
AINA	DFHINDT	Application program failed to pass commarea containing request to be executed on LINK command
AINB	DFHINDT	Commarea passed did not contain valid request to be executed
AINC	DFHINDT, DFHINDAP	INQUIRE EXITPROGRAM failed with NOTAUTH response
AIND	DFHINDT, DFHINDAP	INQUIRE EXITPROGRAM failed with unexpected response
AINE	DFHINDT	Error on START_LINK_BROWSE command to RM domain
AINF	DFHINDT	EXCEPTION response on GET_NEXT_LINK call to RM domain
AING	DFHINDT	Error on GET_NEXT_LINK call to RM domain
AINH	DFHINDT	Error on END_LINK_BROWSE command to RM domain
AINI	DFHINDT	Error on INQUIRE_UOW command to RM domain
AINJ	DFHINDT	Exception response on INITIATE_RECOVERY call to RM domain
AINK	DFHINDT	Error on INITIATE_RECOVERY call to RM domain
AINL	DFHINDT	Error on SET_RECOVERY_STATUS command to RM domain
AINM	DFHINDT	Error on TERMINATE_RECOVERY command to RM domain
AINN	DFHINTRU	Error on ADD_LINK command to RM domain
AINO	DFHINTRU	INQUIRE TRANSACTION command failed with NOTAUTH response
AINP	DFHINTRU	INQUIRE TRANSACTION command failed with unexpected response
AINQ	DFHINTRU	INQUIRE TASK command failed with TASKIDERR response
AINR	DFHINTRU	INQUIRE TASK command failed with NOTAUTH response
AINS	DFHINTRU	INQUIRE TASK command failed with unexpected response
AIOA	DFJIIOP	The main method within CICSMain invoked with a null COMMAREA
AIOB	DFJIIOP	checkbytes method within CICSCommareaMapping detected an error
AIOC	DFJIIOP	setbytes method within CICSCommareaMapping detected an error

Abend codes

Abend	Module	Explanation
AIOD	DFJIIOP	setIOPDataFromTSQ method within CICSCommareaMapping detected an error
AIOE	DFJIIOP	setIOPDataFromTSQ method within CICSCommareaMapping detected an error
AIOF	DFJIIOP	setIOPDataFromTSQ method within CICSCommareaMapping detected an error
AIOG	DFJIIOP	The main method within CICSMain failed to initialize the ORB
AIOH	DFJIIOP	The main method within CICSMain has received unexpected return code from ProcessMessage
AIOI	DFJIIOP	setBytes method within CICSCommareaMapping has detected an error
AIOJ	DFJIIOP	writelIOPDataToTSQ method within CICSCommareaMapping has detected an error
AIOK	DFJIIOP	writelIOPDataToTSQ method within CICSCommareaMapping has detected an error
AIOV	DFJIIOP	setBytes method within CICSCommareaMapping has detected an error
AIO0	DFHIIOP	Programme check when IIOPIOP/CORBA call processed
AIO1	DFHIIOP	Call to Socket domain failed
AIO2	DFHIIOP	IIOPIOP/CORBA data stream contains invalid header or data structure
AIO3	DFHIIOP	WRITEQ/READQ TS call detected that queue modified by another process
AIO4	DFHIIOP	IIOPIOP transaction CIOF has been started incorrectly.
AISA	DFHMIRS	CSMI attached to facility other than terminal
AISB	DFHMIRS	Errors detected in data for mirror transaction
AISC	DFHMIRS	TIOA not received from terminal by mirror transaction
AISD	DFHMIRS	Mirror program received nonzero return code
AISF	DFHMIRS	Facility for mirror is APPC, conversation unmapped
AISG	DFHMIRS	Mirror transaction could not send reply
AISH	DFHCRNP	Incorrect invocation of CSNC
AISI	DFHISP	Invalid function shipping request from DFHEIP to DFHISP
AISJ	DFHCRNP	CSNC abended because LINK to DFHCRR failed
AISK	DFHISP	Mirror transaction abended
AISL	DFHLUP, DFHCLS3, DFHCLS4, DFHZLS1	LU services manager transaction started directly from user terminal
AISN	DFHCRNP	CSNC failed to acquire SUSPEND TOKEN
AISO	DFHCRNP	CSNC failed to suspend itself
AISP	DFHMIRS	Mirror transaction invoked with invalid principal facility

Abend codes

Abend	Module	Explanation
AISQ	DFHMIRS	EXEC CICS command issued for CPI Communications session
AISR	DFHCRR	DFHCRR invoked in an incorrect manner
AISS	DFHZARM	Security violation at start of APPC conversation
AIST	DFHCRNP	Unexpected return code after DFHTC TYPE=LOCATE
AISU	DFHMIRS	Error on call to SM domain
AISV	DFHMIRS	PURGED condition on call to SM domain to FREEMAIN
AISW	DFHCRSP	Error on call to SM domain
AISX	DFHCRSP	PURGED condition on call to SM domain to GETMAIN or FREEMAIN
AISY	DFHLUP	Invalid parameters for LU services manager
AISZ	DFHMXP	Unexpected reply when committing START PROTECT NOCHECK requests
AIS1	DFHCRSP	Unexpected return code after DFHMROQM FUNC=ENQ command
AIS2	DFHCRNP	Unexpected return code after DFHMROQM FUNC=WAIT_Q command
AIS3	DFHCRNP	Failed to issue store clock instruction
AIS4	DFHCRNP	Unexpected return code after DFHMROQM FUNC=ENQUEUE command
AIS5	DFHCRNP	Unexpected return code after DFHMROQM FUNC=ENQUEUE command
AIS6	DFHMIRS	DISASTER, EXCEPTION, or INVALID condition on call to SM domain
AIS7	DFHMIRS	PURGED condition on call to SM domain
AIS8	DFHMIRS	Internal logic error in DFHMIRS
AIS9	DFHMIRS	DPL server program returned invalid state after LINK command
AITA	DFHCRNP	Error on call to RM domain
AITB	DFHISP	Error on call to RM domain
AITC	DFHMIRS	Error on call to RM domain
AITD	DFHMIRS	Mirror program received unexpected response from RX domain
AITE	DFHMIRS	RTIMOUT interval exceeded on transactional EXCI request
AITF	DFHMIRS	Transactional EXCI request purged waiting on event
AITG	DFHMIRS	Transactional EXCI request executed and both a further request from the batch region and a suyncpoint initiated by RRMS occurred
AJA0	DFJCICS	Invalid Resp code passed to SetAbendForCondition method
AJCD	DFHJCP	Error on call to SM domain
AJCE	DFHJCP	Task purged before GETMAIN request to SM domain completed
AJCS	DFHJCP	Error on call to LM domain
AJCT	DFHJCP	Error on call to RM domain

Abend codes

Abend	Module	Explanation
AJCU	DFHJCP	Purge response from log manager or recovery manager
AJ01	DFJCICS	Main method of java environment setup class invoked without argument
AJ02	DFJCICS	CICS AbendError caught by the java environment setup class, Wrapper
AJ03	DFJCICS	CicsConditionException caught by Wrapper
AJ04	DFJCICS	Unexpected condition caught by Wrapper
AJ05	DFJCICS	Unhandled exception from Java application
AJ07	DFJCICS	Wrapper unable to invoke the user's main method
AJ09	DFJCICS	Wrapper unable to invoke the user's main method
AJ99	DFJCICS	Wrapper detected AbendException and issued setAbend - abend code extracted from AbendException is too long
AJMA	DFHCJVM	Change directory to CICS_HOME failed
AJMB	DFHAPLJ	Call to JVM program disallowed due to previous JVM terminationerrors
AJM1	DFHCJVM	JNI_CreateJavaVM request failed
AJM2	DFHCJVM	JVM failed to find the CICS Wrapper Class
AJM3	DFHCJVM	JVM failed to find the main method of the CICS Wrapper class
AJM4	DFHCJVM	JVM failed to build the argument list for the CICS Wrapperclass.
AJM5	DFHCJVM	The CICS Wrapper class threw an exception
AJM6	DFHCJVM	CICS JVM interface failed to set up CICS Recovery facilities.
AJM7	DFHCJVM	CICS JVM interface failed to delete CICS Recovery facilities.
AJM8	DFHAPLJ	A severe error occurred whilst the JVM was executing
AJM9	DFHCJVM	CICS JVM interface failed to load user replaceable module DFHJVMAT.
AKCB	DFHKCRP	Transaction manager restart task could not complete
AKCC	DFHXMAT, DFHXMCL	Purge threshold on TRANCLASS reached
AKCE	DFHKCQ	Write to system log failed
AKCF	DFHKCQ	Write to catalog failed
AKCR	DFHXCP	Transaction manager received an invalid request code
AKCS	DFHXCP	Deadlock time-out has occurred
AKCT	DFHXCP	Terminal read-time-out has occurred
AKCV	DFHALP	Unexpected return code on resume of suspended task
AKC0	DFHAPATT	Attempt to run CSSY as user transaction
AKC1	DFHXCP	DFHXC WAIT when ECB already marked as waiting
AKC2	DFHXCP	Unexpected response from DS domain call

Abend codes

Abend	Module	Explanation
AKC3	DFHXCP, DFHXMAT, DFHXMCL, DFHXMIQ, DFHXMTA	Task has been purged
AKC6	DFHXCP	DFHXC SUSPEND did not precede DFHXC RESUME
AKC8	DFHXCP	Unexpected response from call to KE domain for task purge
AKC9	DFHXCP	Error from call to NQ domain
AKEA	DFHKESTX	Program check detected by KE domain
AKEB	DFHKESTX	Operating system abend detected by KE domain
AKEC	DFHKESTX, DFHKERRU	Runaway detected by KE domain
AKED	DFHKEEDA	Deferred abend request in KE domain
AKEF	DFHKERKE	Error detected while processing KE domain call
AKEG	DFHKESGM	MVS GETMAIN for kernel stack storage failed
AKEH	DFHKESTX	Transaction purged while running outside control of CICS.
AKEI	DFHKESTX	Kernel domain detected runaway while transaction is outside control of CICS.
AKEZ	DFHKETA	Failure of user attach - insufficient kernel tasks
AKSE	DFH99KC	No code for keyword
ALGA	DFHLGGL, DFHLGJN, DFHLGLD, DFHLGST	Error obtaining lock within log manager domain
ALGB	DFHLGGL, DFHLGJN, DFHLGLD, DFHLGST	Error releasing lock within log manager domain
ALGC	DFHLGGL, DFHLGJN, DFHLGLD, DFHLGST	Disaster response detected processing building block code used by log manager domain
ALGD	DFHLGCM, DFHLGGL, DFHLGJN, DFHLGLD, DFHLGST	Disaster response detected processing building block storage interface code used by log manager domain
ALGE	DFHLGJN	Unexpected error while log manager attempted to find journal model definition
ALGF	DFHLGGL, DFHLGJN, DFHLGST	Unexpected error when log manager attempted enqueue/dequeue operation
ALGG	DFHLGQC	Transaction CSQC issued from a terminal
ALIA	DFHAPLI	Insufficient storage to satisfy GETMAIN request
ALIB	DFHAPLI	Insufficient storage to satisfy GETMAIN request

Abend codes

Abend	Module	Explanation
ALIC	DFHAPLI	Insufficient storage to satisfy GETMAIN request
ALID	DFHAPLI	Insufficient storage to satisfy GETMAIN request
ALIE	DFHAPLI	Insufficient storage to satisfy GETMAIN request
ALIF	DFHAPLI	Insufficient storage to satisfy GETMAIN request
ALIG	DFHAPLI	CICS unable to determine language of user application program
AMI1	DFHMIRS	Unexpected response when mirror task resumed
AMNA	DFHCMP	Exception response from MN domain—invalid address in DATA1
AMNB	DFHCMP	Exception response from MN domain—invalid data in DATA2
AMNZ	DFHCMP	Unexpected error response from MN domain
AMSA	DFHMSP	SBA not followed by two 1-byte address fields
AMSB	DFHMSP	Internal logic error in DFHMSP
AMSC	DFHMSP	Task purged before GETMAIN to SM domain completed
AMSD	DFHMSP	Error on call to SM domain
ANQA	DFHNQED, DFHNQIB, DFHNQNQ, DFHNQST	Error occurred obtaining lock within enqueue domain
ANQB	DFHNQED, DFHNQIB, DFHNQNQ, DFHNQST	Error occurred releasing lock within enqueue domain
ANQC	DFHNQED	Error occurred obtaining sysplex enqueue
ANQD	DFHNQED	Error occurred obtaining sysplex enqueue
ANQE	DFHNQRN	EXEC ENQ issued and enqmodel disabled or in waiting state
APCF	DFHAPLI	Program not compiled with supported PL/I compiler
APCG	DFHxxx	Transaction purged For module list,see <i>CICS Messages and Codes</i>
APCH	DFHAPLI	COBOL II or LE/370 support not present
APCI	DFHAPLI	Execution of PL/I programs has been disabled
APCJ	DFHAPLI	C/370 does not recognize program
APCK	DFHAPLI	Execution of C program disabled
APCL	DFHAPLI	Language Environment/370 unable to determine program language
APCN	DFHxxx	Attempt to release program/mapset/partitionset that is not loaded or has already been deleted. For module list, see <i>CICS Messages and Codes</i>
APCO	DFHAPXM	GETMAIN of storage for LEVEL 2 trace failed during transaction initialization
APCS	DFHAPLI	CICS could not get run time information from LE/370
APCT	DFHxxx	Program/mapset/partitionset failure. For module list, see <i>CICS Messages and Codes</i>
APCW	DFHAPLI	Compiler level for COBOL program cannot be determined

Abend codes

Abend	Module	Explanation
APCY	DFHAPLI	Macro request from PL/I or COBOL application
APCZ	DFHAPLI	Program not reentrant and cannot be loaded into read-only storage
APC0	DFHPCP, DFHMCY	Serious error on call to program manager domain
APC1	DFHAPLI	Request for TGT exceeding 64KB in size
APC2	DFHAPLI	Illegal branch following abend condition
APC3	DFHAPLI	No Language Environment/370 support present for program
APC4	DFHPCPC2	Loader domain define request failed for program ILBOCOM
APC5	DFHPCPC2	Loader domain load request failed for program ILBOCOM
APC6	DFHPCPC2	An internal error has occurred
APC7	DFHPCPC2	An MVS IDENTIFY call for entry point ILBOCOM0 failed
APC8	DFHPCPC2	An MVS LOAD of ILBOCOM0 has failed
APC9	DFHPCPC2	An MVS LOAD of ILBOCOM has failed
APLX		PL/I abend code (see <i>OS/VS PL/I Optimizing Compiler: Programmer's Guide</i>)
APP1	DFHP3270	Invalid DFHIC TYPE=GET response code
APP2	DFHP3270	Data length passed to DFHP3270 less than or equal to 5
APP3	DFHP3270	Invalid request to nonprinter
APR1	DFHPRK	Invalid DFHIC TYPE=PUT response code
APSJ	DFHPSIP	Spooler initialization program incorrectly invoked
APST	DFHEPS	SPOOL command without NOHANDLE operand
APSU	DFHPSPST	Invalid JES return code to spooler
APSV	DFHPSPST	VSAM macro return code contains invalid value
APSW	DFHPSPST	Abend in CICS system spooler subtask
APSX	DFHPSPST	A CICS storage area contains invalid value
APSY	DFHPSPST	Storage area for MVS macro return code contains invalid value
APSZ	DFHPSPST	CICS area for JES interface return code contains invalid value
APTI	DFHPSPST	Task purged before GETMAIN request to SM domain completed
APTJ	DFHPSPST	Error on call to SM domain
APUA	DFHPUP	GETSTG parameter missing on call to DFHPUP (PUPF)
APUB	DFHPUP	GETSTG parameter missing on call to DFHPUP (PUPU)
APUC	DFHPUP	Invalid function code supplied on domain call to DFHPUP
APUD	DFHPUP	Unable to locate RDO language definition table (DFHEITSP)
APUE	DFHPUP	Lack of storage to load RDO language definition table (DFHEITSP)

Abend codes

Abend	Module	Explanation
APUF	DFHPUP	RDO language definition table invalid or missing
APUG	DFHPUP	Storage cannot be obtained for CSD record buffer
APUH	DFHPUP	Storage cannot be obtained for argument list
APUI	DFHPUP	Storage cannot be freed for argument list
APUJ	DFHPUP	Storage cannot be freed for CSD record buffer
APUK	DFHPUP	Unable to obtain storage
APUL	DFHPUP	Unrecognized resource type code (FLATTEN)
APUM	DFHPUP	Unrecognized resource type code (TRANCASE)
APUN	DFHPUP	Unrecognized resource type code (COMPARE)
APUO	DFHPUP	Unrecognized resource type code (BACKTRANS)
APUP	DFHPUP	Error processing language definition table for RDO
APUQ	DFHPUP	Error processing language definition table for RDO
APUR	DFHPUP	Data type conflict
APUS	DFHPUP	Invalid integer data length for keyword field
APUT	DFHPUP	Invalid keyword existence bit number
APUZ	DFHPUP	Invalid resource type code in CSD record
APXA	DFHAPXM	User transaction's profile could not be found
ARCB	DFHRCEX	Initialization failure - exit program cannot be found
ARHA	DFHCPIR	SAA resource recovery interface has invalid first parameter
ARHB	DFHCPIR	Invalid number of parameters for SAA resource recovery call
ARHC	DFHCPIR	Unexpected return code from syncpoint program for SAA resource recovery interface
ARM0	DFHRMXN3	Transaction not internally attached by CICS
ARPA	DFHRTC	Unexpected response from DFHSUSN signing off user of CRTE transaction
ARPF	DFHRPAS	The alias could not be initialized
ARPG	DFHRPAS	The alias was not able to link to the CICS program
ARPH	DFHRPAS	The alias detected a global work area error
ARPI	DFHRPAS	The alias detected a logic error
ARPJ	DFHRPAS	The alias ends for one of various reasons
ARPK	DFHRPAS	The alias detected a CICS logic error
ARPL	DFHRPAS	The alias detected an authorization error
ARPM	DFHRPAS	The alias detected an error in user code
ARPN	DFHRPAS	The alias detected an error while trying to switch TCBs
ARPO	DFHRPAS	The alias program detected an abend
ARPU	DFHRPC01	The connection manager could not access the CICS ONC RPC data set
ARPV	DFHRPC0E	The connection manager received unexpected response from CICS
ARPW	DFHRPC0E	The connection manager received unexpected response from CICS
ARPX	DFHRPC01	The connection manager started against an invalid terminal
ARPZ	DFHRPC0B	The connection manager has insufficient authority

Abend codes

Abend	Module	Explanation
ARP2	DFHRPMS	The server controller detected internal error during CICS ONC RPC enable processing
ARP4	DFHRPMS	The server controller has performed an exception disable because of an internal error
ARP5	DFHRPMS	An invalid attempt was made to start the server controller
ARP9	DFHRPC01	There was not enough storage for the connection manager
ARTA	DFHRTE	Task does not own terminal as its principal facility
ARTB	DFHRTE	No input TIOA, or data length zero
ARTC	DFHRTE	Link not usable
ARTD	DFHRTE	Internal logic error in DFHRTE
ARTE	DFHRTE	Error in I/O to or from temporary storage
ARTF	DFHRTE	Invalid attempt to use CRTE
ARTG	DFHRTE	Profile not found
ARTH	DFHRTE	Error on call to schedule remote terminal delete during sign-off
ARUA	DFHXMRU	Exception condition on ADD_LINK during BIND phase of ATTACH
ARUB	DFHXMXM	A RUN SYNCHRONOUS command caused an attempt to attach a remotely defined transaction
ARUC	DFHXMRU	A RUN SYNCHRONOUS command caused an attempt to attach a transaction with an invalid USERID.
ARXA	DFHRXUW	Error attempting to express interest in RRMS Unit of Recovery
ARXB	DFHRXUW	Error on ADD_LINK call to Recovery Manager domain
ARXC	DFHRXUW	Error on transactional EXCI request
ASCA	DFHSMSCP	Disaster response to DFHSC TYPE=GETMAIN request from SM domain
ASCB	DFHSMSCP	Disaster response to DFHSC TYPE=FREEMAIN request from SM domain
ASCP	DFHSMSCP	Task purged while waiting for contiguous main storage
ASCR	DFHSMSCP	Invalid storage control request type
ASDA	DFHCESD	CESD started directly from a terminal not internally by CICS
ASFA	DFHSFP	Unexpected response from EXEC CICS
ASFB	DFHSFP	Attempt to execute CICS signoff without an associated terminal
ASFC	DFHSFP	Attempt to execute CICS signoff program against APPC session
ASHA	DFHSHDM	Command failed due to a serious failure in a CICS component
ASHB	DFHSHDM	Command failed due to a serious failure in a CICS component

Abend codes

Abend	Module	Explanation
ASHR	DFHSHRSP	Command failed due to a serious failure in a CICS component
ASHU	DFHSHRSP	Abend occurred due to a routing failure
ASH2	DFHSHXM	Resources required to service request unobtainable
ASH3	DFHSHRM	Transaction bound to a Scheduler Services request has backed out (default abend code)
ASH4	DFHSHXM	Scheduler Services attempted to attach a disabled transaction.
ASIA	DFHSII1	Error on call to SM domain
ASIB	DFHSIPLT	Invalid attempt to run CICS internal task CPLT as user transaction
ASNA	DFHSNP	Unexpected response from EXEC CICS
ASNB	DFHSNP	Attempt to execute CICS signon without an associated terminal
ASNC	DFHSNP	Signon program failed to send request to user
ASND	DFHSNTU	Request from DFHSNTU to ENQ failed during signoff terminal user
ASOA	DFHSOL	TCP/IP listener task CSOL incorrectly started from a terminal
ASPA	DFHAPAC	Task purged before request to RM domain completed successfully
ASPB	DFHAPAC	Error on call to RM domain
ASPC	DFHSPP	Error on call to bridge syncpoint routine (DFHBRSP)
ASPF	DFHAPAC	ROLLEDBACK returned to RM domain
ASPI	DFHCR2U	Unexpected FMH or no data received from partner system
ASPJ	DFHCR2U	Unexpected syncpoint message data received from partner system
ASPN	DFHAPAC	Transaction has issued an EXEC CICS RETURN in backout required program state
ASPO	DFHAPAC	Intersystem session failed during syncpoint
ASPP	DFHAPAC	Intersystem session failed during syncpoint
ASPQ	DFHAPAC	Intersystem communication failed during syncpoint
ASPR	DFHAPAC	Intersystem communication failed during syncpoint
ASP1	DFHAPAC	Intersystem communication failed during syncpoint
ASP2	DFHAPAC	Syncpoint attempted with intersystem conversation in invalid state
ASP3	DFHAPAC	No syncpoint taken in remote system
ASP7	DFHAPAC	Resource manager replied 'No' to request to 'Prepare'
ASP8	DFHAPAC	Syncpoint rollback not supported
ASP9	DFHEISP	User Syncpoint not allowed in activation
ASQA	DFHCRRSY	Communication session failed during CLS2 processing
ASQB	DFHCRRSY	Logic error during CLS2 processing
ASQC	DFHCRRSY	CLS2 transaction attached with unexpected start code

Abend codes

Abend	Module	Explanation
ASQD	DFHCRRSY	CLS2 transaction could not use transaction manager for input parameters
ASQG	DFHCRRSY	CLS2 transaction failed during receipt of data via MRO session
ASQH	DFHCRRSY	CLS2 transaction failed during receipt of data via MRO session
ASQI	DFHCRRSY	Attempt to invoke CICS recovery manager to save logname failed
ASQK	DFHCRRSY	CICS internal logic error
ASQL	DFHCRRSY	Invocation of TERMINATE_RECOVERY command to unlock data failed
ASQM	DFHCRRSY	CICS internal logic error
ASRA	DFHSRP	Program check has occurred
ASRB	DFHSRP	Operating system abend
ASRD	DFHSRP	Invalid macro call or reference to CSA or TCA
ASRE	DFHSRP	Attempt to access a CICS-DB2 RCT load module terminated task
ASRK	DFHSR1	DFHSR1 unable to call system recovery program (DFHSRP)
ATCA	DFHZARQ	DFHTC macro issued when in final quiesce mode
ATCB	DFHZARQ	Two consecutive reads or writes without intervening wait
ATCC	DFHZARQ	Read or more than one write issued using pipeline session
ATCD	DFHZDSP, DFHZERH	CTYPE or QUEUE issued and VTAM or ZCP function not included in system
ATCE	DFHZARQ	DFHTC request issued without address of TIOA
ATCF	DFHZCRQ	DFHTC CTYPE macro issued to non-VTAM TCTTE
ATCG	DFHZARQ	DFHTC request for terminal which program does not own
ATCH	DFHxxx	Task purged before domain call completed successfully For module list, see <i>CICS Messages and Codes</i>
ATCI	DFHZSUP DFHMRXM	Error occurred on call to DFHRYSU
ATCJ	DFH62XM DFHZATA DFHZATD DFHZATR	Invalid autoinstall invocation
ATCK	DFHZARQ	Write issued with CCOMPL=NO without authority
ATCL	DFHETL, DFHTPCM, DFHZARQ	Error during automatic journaling or automatic logging
ATCN	DFHZSUP DFH62XM DFHTFXM	Error during automatic journaling or automatic logging
ATCO	DFHZARQ	Function unsupported by terminal or system
ATCQ	DFHZRAQ	Temporary storage error

Abend codes

Abend	Module	Explanation
ATCR	DFHZRAR	Temporary storage error
ATCS	DFHZARQ	Send data after request change direction received
ATCT	DFHZSUP DFHMRXM DFH62XM	Build of surrogate TCTTE for remotely-owned terminal failed
ATCU	DFHZARQ	Send in receive mode
ATCV	DFHETL, DFHZARQ, DFHZISP	Application attempted operation on logical unit which failed
ATCW	DFHZSUP DFHMRXM DFH62XM	No installed profile definition for LU6.1 or APPC session
ATCX	DFHxxx	Error on call to SM domain For module list, see <i>CICS Messages and Codes</i>
ATCY	DFHZARQ, DFHZSUP DFHMRXM DFH62XM	Error processing inbound FMH
ATCZ	DFHZSLS	Error in call to security domain
ATC1	DFHTCRP	Terminal control restart task failure
ATC2	DFHZSLS	VTAM rejected CICS SET VTAM OPEN request
ATC3	DFHZARQ	Write to TLX device issued with data length of 0 causing TIOA data length (TIOATDL) to be 0
ATC4	DFHTCRP	The XRF TCB abended
ATC5	DFHETL	Internal logic error in APPC mapped processing
ATC6	DFHETL	SEND DATA length greater than 65528 bytes
ATC7	DFHZSUP	Unexpected response from INITIAL-CALL request to DFHZARL
ATC8	DFHETL	Error during processing of an inbound FMH
ATC9	DFHZNCE	RESUME issued without prior SUSPEND
ATDC	DFHETD	Task purged awaiting enqueue during READQ/WRITEQ or DELETEQ command
ATDY	DFHTDRP	Transient data initialization failed
ATDZ	DFHTDRP	CICS function invoked by TD init failed
ATFE	DFHTOUT1	FREEMAIN failed during CEDA CHECK or CEDA INSTALL
ATGE	DFHTOUT1	GETMAIN failed during CEDA CHECK or CEDA INSTALL
ATMA	DFHTMP	Task purged before GETMAIN request to SM domain completed successfully
ATMB	DFHTMP	Error on call to SM domain
ATNA	DFHZNAC	Terminal operator entered transaction identification for NACP
ATND	DFHZARQ, DFHZARL, DFHZSUP	Task termination postponed

Abend codes

Abend	Module	Explanation
ATNI	DFHZARL, DFHZARM, DFHZARQ, DFHZRAQ, DFHVSUP	Task terminated by NEP (VTAM) or TEP (non-VTAM)
ATOA	DFHCESC	Invalid attempt to invoke CESC with terminal as principal facility
ATOB	DFHCESC	Abnormal response from EXEC CICS START TRANSACTION(CESC)
ATOC	DFHCESC	Failure of a DFHZCUT timeout request
ATOD	DFHCESC	Abnormal response from EXEC CICS CANCEL TRANSACTION(CESC)
ATOE	DFHCESC	Cannot determine time XRF takeover began
ATOF	DFHCESC	Abnormal response from EXEC CICS DELAY TRANSACTION(CESC)
ATOG	DFHCESC	Abnormal response from EXEC CICS START TRANSACTION(CEGN)
ATOH	DFHCESC	Failure of CESC due to an invalid function code
ATOT	DFHCEGN	CEGN RETRIEVE failure
ATOU	DFHCEGN	CEGN RETURN failure
ATOV	DFHCEGN	CEGN GETMAIN, ASSIGN or SEND failure
ATPA	DFHTPR	Error occurred estimating the length of a CICS message
ATPB	DFHTPR	Error occurred trying to retrieve a CICS message
ATPC	DFHTPQ	Error occurred estimating the length of a CICS message
ATPD	DFHTPQ	Error occurred trying to retrieve a CICS message
ATPE	DFHTPQ, DFHTPR	Task purged before GETMAIN request to SM domain completed successfully
ATPF	DFHTPQ, DFHTPR	Error on call to SM domain
ATRA	DFHTRP	Task abnormal termination requested by DFHTRAP
ATSA	DFHTSDQ	CTSD transaction attached other than by internal request
ATSB	DFHTSDQ	CTSD transaction attached with invalid parameters
ATSC	DFHEITS, DFHICP, DFHTSP	Task canceled during temporary storage command
ATSD	DFHEITS, DFHICP, DFHTSP	Unexpected response from DS domain
ATSP	DFHEITS, DFHTSP	Attempt to write to or delete a recoverable TS queue already deleted in the same unit of work
ATSQ	DFHEITS	Move of data to or from temporary storage failed
ATUF	DFH99KO	Insufficient space to build parameter list for DYNALLOC SVC
AUEL	DFHUEM, DFHERM	Internal logic error in CICS user exit management

Abend codes

Abend	Module	Explanation
AUEP	DFHUEH	User exit program sent return code UERCPURG to user exit handler
AUXA	CAUCAFB1	Unexpected error when one of TAU Detector exit programs called CAUTABM
AUXB	CAUCAFF3, CAUCAFF6, CAUCAFB1	The TAU Detector dataspace has filled up
AUYA	CAUCAFB1	The TAU Detector transaction (CAFB) received unrecognized request
AUYC	CAUCAFB1	The TAU Detector transaction (CAFB) received unexpected reply
AUYE	CAUCAFB2, CAUCAFF3	The TAU Detector program found an invalid affinity file number
AUYF	CAUCAFB1	The TAU Detector transaction (CAFB) not started by CAFF
AUYG	CAUCAFB1	The TAU Detector transaction (CAFB) still running at CICS termination
AUYH	CAUCAFF4, CAUCAFF5, CAUCAFB1	The TAU Detector program found invalid address in Detector GWA
AUYI	CAUCAFB2, CAUCAFF6	The TAU Detector transaction (CAFB of CAFB) had unexpected error
AUYJ	CAUCAFB2	One of the TAU affinity data files is full
AUZA	CAUCAFF1, to CAUCAFF6, CAUCAFF7, CAUCAFB1, CAUCAFB2, CAUCAF41	Unexpected error when CAFF or CAFB issued an EXEC CICS command
AUZH	CAUCAFF1, to CAUCAFF6, CAUCAFB1, CAUCAFB2	Unexpected error when CAFF or CAFB issued a VSAM FC EXEC CICS command
AUZC	CAUCAFF1, CAUCAFF2	Invalid internal field holding TAU Detector state
AUZD	CAUCAFF1, CAUCAFF2	CICS APPLID in TAU file does not match APPLID of CICS system
AUZF	CAUCAFF1, to CAUCAFF6, CAUCAFB1	Unexpected error when CAFF or CAFB issued a Detector user exit
AUZH	CAUCAFF3	Unexpected error when CAFF called CAUTABM to create MVS dataspace
AUZI	CAUCAFF3, CAUCAFF6	Unexpected error when CAFF called CAUTABM to create affinity table
AUZJ	CAUCAFF3	Unexpected error when CAFF called CAUTABM to add element to table
AUZK	CAUCAFF3	Unexpected error when CAFF attempted to initialize internal trace table

Abend codes

Abend	Module	Explanation
AUZL	CAUCAFF4	Unexpected error when CAFF attempted to release internal trace table
AUZN	CAUCAFF4	Unexpected error when CAFF called CAUTABM to destroy dataspace
AUZO	CAUCAFF6	Unexpected error when CAFF called CAUTABM to destroy table
AUZQ	CAUCAFF3	Unexpected error when CAFF CAUCAFP to create MVS CPOOL storage
AUZR	CAUCAFF4, CAUCAFF5, CAUCAFB1	Unexpected error when CAFF or CAFB called CAUCAFP to access storage
AUZS	CAUCAFF4	Unexpected error when CAFF called CAUCAFP to destroy MVS CPOOL storage
AUZU	CAUCAFF1	Unexpected error when CAFF calculated occupancy of dataspace occupied
AUZV	CAUCAFF1	Incorrect method of initiating TAU Detector transaction CAFF
AUZY	CAUCAFF3, CAUCAFB2	Unexpected error when CAFF or CAFB called CAUTABM to replace element
AUZZ	CAUCAFF3, CAUCAFF6	Unexpected error when CAFF called subroutine to update TT or UT
AUZ1	CAUCAFF3	Header record on VSAM affinity data file not found
AWBA	DFHWBXN	CICS Web Receive error encountered
AWBB	DFHWBBLI	CICS Web Business Logic Interface program parmlist error
AWBC	DFHWBENV, DFHWBTL	No commarea passed to CICS Web Interface utility program
AWBE	DFHWBBLI	Converter program attempted to change response area address
AWBF	DFHWBA	Web Interface alias detected an error in initialization
AWBH	DFHWBA	Web Interface alias detected a logic error
AWBI	DFHWBA	Web Interface alias received unexpected response from EXEC CICS ASSIGN STARTCODE
AWBJ	DFHWBA	Web Interface alias received unexpected response when it switched to RP TCB
AWBK	DFHWBA	Web Interface alias received an abend in converter or program servicing the request
AWBL	DFHWBA	*** NO DESCRIPTION FOUND ***
AWBM	DFHWBA	Web Interface alias detected an error from program DFHWBBLI.
AWBQ	DFHWBA1, DFHWBBLI	Web Business Logic Interface program detected error in parameter list
AWBR	DFHWBA1, DFHWBBLI	Web Business Logic Interface program detected a logic error
AWBU	DFHWBC01	Web Interface connection manager could not get storage
AWBV	DFHWBC04	Web Interface connection manager detected error response on EXEC CICS DEQ

Abend codes

Abend	Module	Explanation
AWBX	DFHWBC01	Web Interface connection manager started against invalid terminal type
AWBZ	DFHWBC0B	Web Interface connection manager detected NOTAUTH response to EXEC CICS EXTRACT EXIT
AWB2	DFHWBXN	Web Interface error in server controller attempting to disable
AWB3	DFHWBXN	Web Interface error trying to determine how server controller was started
AWB4	DFHWBXN	Web Interface server controller was invalidly started
AWB5	DFHWBWM	Requested port in not available
AWB7	DFHWBENV	Web Interface environment variables program invoked with invoking task number of zero
AWB8	DFHWBGB	CWBG task started directly from terminal
AWB9	DFHWBC01	Web Interface connection manager failed for lack of storage
AWC1	DFHWBLT	Bridge exit DFHWBLT could not establish partnership with Web terminal translation task
AWC2	DFHWBLT	Bridge exit DFHWBLT passe an invalid state token
AWC3	DFHWBLT	Unsupported combination of BMS and terminal control commands passed
AWC4	DFHWBLT	Bridge exit DFHWBLT reinvoked after returning an earlier error
AWC5	DFHWBLT	Bridge exit DFHWBLT could not getmain a brxa user area
AWC6	DFHWBLT	Bridge exit DFHWBLT detected an incinsistency in request parameters or state data
AWKY	DFHWKP	Failure of global catalog request during warm keypointing
AXFA	DFHXFP	File control request keylength zero
AXFB	DFHXFP	Unacceptable FMH type found
AXFC	DFHXFP	Invalid request passed to data transformation program
AXFD	DFHXFP	Invalid request for remote system
AXFE	DFHXFP	Transformation requested does not exist
AXFF	DFHXFP	Unacceptable queue organization found
AXFG	DFHXFP	Unacceptable argument number in data following FMH type 43
AXFH	DFHXFP	Unexpected argument in data following FMH type 43
AXFI	DFHXFP	Zero data length for WRITEQ TD or READQ TD
AXFJ	DFHXFP	Error code in UIBFCTR and UIBDLTR cannot be converted to SNA error code
AXFL	DFHXFP	Null chain of data received
AXFM	DFHXFP	ISCINVREQ condition raised
AXFO	DFHXFP	Check on DS and DBA parameters failed
AXFP	DFHXFP	No second FMH received
AXFQ	DFHXFP	FMH too short or too long
AXFR	DFHXFP	Length of data exceeds 32767
AXFS	DFHXFP	Maximum length of I/O area exceeds 65535

Abend codes

Abend	Module	Explanation
AXFT	DFHXFP	Size of output I/O area exceeds 65535
AXFU	DFHXFP	Invalid two-level cursor
AXFW	DFHXFP	Invalid length specification given
AXFX	DFHXFP	Function shipping request by APPC link failed protocols
AXFY	DFHXFP	APPC conversation failure for attach between CICS systems
AXF0	DFHXFP	Task purged due to lack of storage in a DSA
AXF1	DFHXFP	Unexpected return code from storage manager module DFHSMGF
AXF2	DFHXFP	Task purged because of insufficient storage in DSA
AXF3	DFHXFP	Unexpected return code from storage manager module DFHSMMC
AXF4	DFHXFX	Task purged before GET_BUFFER request completed successfully
AXF5	DFHXFX	Error on call to DFHEISR
AXF8	DFHXFX	Keyword shipped to system that does not support the function
AXMA	DFHxxx	Error obtaining a lock in transaction manager domain For module list, see <i>CICS Messages and Codes</i>
AXMB	DFHxxx	Error releasing a lock in transaction manager domain For module list, see <i>CICS Messages and Codes</i>
AXMC	DFHXMAT, DFHXMXE	Severe error allocating unique transaction number to a new transaction
AXMD	DFHXMAB	Invalid attempt to run CICS internal task CSXM
AXMY	DFHXMAT	Error obtaining transaction class membership
AXMZ	DFHXMAT	Severe error detected by the transaction manager domain
AXSA	DFHXSMN	Security control task could not complete
AXSC	DFHXSMN	Task purged before GETMAIN request to SM domain completed successfully
AXSD	DFHTCRP	Error on call to SM domain
AXTA	DFHXTP	Calculation of data length to be shipped failed
AXTB	DFHXTP	Obtain of TIOA to ship data failed
AXTC	DFHXTP	Data transform failed
AXTD	DFHXTP	No TIOA received from remote system
AXTE	DFHXTP	Data received from remote system not long enough
AXTF	DFHXTP	No relay process FMH received from remote system
AXTG	DFHXTP	Data transform from remote system failed
AXTH	DFHXTP	Locate of terminal identifier failed
AXTI	DFHXTP	Major request byte LUCOPN0 invalid
AXTJ	DFHXTP	Unexpected combination of bit settings in XTSSTAT and XTSTCOPC
AXTK	DFHXTP	APPC conversation failed on attach between CICS systems
AXTL	DFHXTP	Wrong sync level for processing APPC mapped data

Abend codes

Abend	Module	Explanation
AXTM	DFHXTP	Wrong sync level for message—protected transaction
AXTN	DFHETL	Application buffer chained off TCTTE (offset TCTERCSA) has corrupted header
AXTO	DFHXTP	Exception response from CICS security manager
AXTP	DFHXTP	Exception response from DFHCCNV to DFHXTP
AXTQ	DFHXTP	Exception response from DFHCCNV to DFHXTP
AXTR	DFHXTP	Exception response from DFHPGLE to DFHXTP
AZAB	DFHZARM	SEND DATA length greater than 65528
AZAD	DFHZCN1	DFHZCN1 started from unexpected place
AZAE	DFHZCN1	DFHZCN1 started from terminal facility but not LU6.2 session
AZAF	DFHZCN1	DFHZCN1 started for CCIN with errors
AZAG	DFHZCT1	DFHZCT1 started from unexpected place
AZAH	DFHZCT1	DFHZCT1 started from terminal facility but not LU6.2 session
AZAI	DFHZCT1	DFHZCT1 started for CTIN with errors
AZAJ	DFHZCN1	CCIN must be local transaction on region directly connected to client
AZAK	DFHZCT1	CTIN must be local transaction on region directly connected to client
AZCA	DFHZARM	DFHZARM conversation state conflict
AZCB	DFHZARM	Sense code X'088901xx' received during APPC mapped processing
AZCC	DFHZARM	Unsupported function management data
AZCD	DFHETL, DFHZARM	DFHZARM invalid data length received
AZCE	DFHETL, DFHZARM	Application data length to be received exceeds allowable limits
AZCF	DFHZARM	Invalid request to DFHZARL
AZCG	DFHZARM	Invalid TCTTE
AZCH	DFHETL, DFHZARM	Unexpected sense code X'0889xxxx' received while processing APPC mapped data
AZCI	DFHETL, DFHZARM, DFHZARQ	Invalid sync level
AZCJ	DFHZARM	System does not support APPC structured field with null data
AZCK	DFHZARM	Internal logic error in error recovery for APPC mapped processing
AZCL	DFHZARM	Sense code X'088901xx' received during APPC mapped processing
AZCM	DFHZARM	Error on call to SM domain
AZCN	DFHZARM	Task purged before GETMAIN request to SM domain completed successfully
AZCO	DFHZCGRP	VTAM persistent sessions initialization txn (CGRP) started directly from terminal

Abend codes

Abend	Module	Explanation
AZCP	DFHVSUP DFH62XM	Logic error in ZCP
AZCQ	DFHVSUP DFHMRXM DFH62XM	Error on call to RM domain
AZCR	DFHZARL	Error during APPC SYNCPOINT ROLLBACK request
AZCT	DFHZARQ	Terminal read-time-out has occurred
AZCU	DFHZCOVR	Invalid attempt to start COVR transaction
AZCV	DFHZCOVR	Logic error in COVR transaction while connecting to VTAM
AZCW	DFHZCSTP	Invalid attempt to run CICS internal task CSTP
AZIA	DFHZIS2	Transaction request for storage during MRO processing invalid
AZIB	DFHZIS2	Transaction purged while waiting for storage
AZIC	DFHZIS2	Error on call to SM domain to FREEMAIN
AZID	DFHZIS2	PURGED condition on call to SM domain to FREEMAIN
AZIE	DFHZARQ	IRC ISSUE-ERROR or ISSUE-ABEND violated IRC protocols
AZIF	DFHZARQ	Error on call to RM domain
AZI1	DFHZARQ	IRC data transmission protocol violated
AZI2	DFHZARQ	IRC data transmission cannot complete
AZI3	DFHZARQ	Conversation failed
AZI4	DFHZARQ	IRC link to connected transaction down
AZI5	DFHZARQ	IRC data transmission violated IRC protocols
AZI6	DFHZARQ	IRC connected transaction abnormally terminated
AZI7	DFHZIS2	Wait during MRO request rejected by CICS dispatcher
AZI8	DFHZIS1	Incorrect format for error log data
AZI9	DFHZIS2	Failing transaction purged during wait
AZRA	DFHZARRC	FMH address missing from APPC receive buffer
AZRB	DFHZARR0	First parameter is invalid in call to DFHZARR0
AZRD	DFHZARR0	APPC logical and physical receive buffers are out of step
AZRE	DFHZARR0	Logical APPC receive buffer starts outside physical buffer
AZRF	DFHZARRF	Invalid state error returned from DFHZUSR state machine
AZRG	DFHZARR	Invalid state error returned from DFHZUSR state machine
AZRH	DFHZARR	Invalid RECEIVE_TYPE in DFHZARR
AZRI	DFHZARR1	Invalid parameter passed to DFHZARR1
AZRJ	DFHZARR0	APPC record length exceeds receive buffer
AZRK	DFHZARRF	Invalid combination of fields in DFHLUC parameter list
AZRL	DFHZARRF	First parameter invalid in call to DFHZARRF

Abend codes

Abend	Module	Explanation
AZRM	DFHZARR	DFHZARR called one of its own routines at wrong time
AZRN	DFHZARRF	DFHLUC parameter list does not have LUCCIERR set on
AZRO	DFHZARER	First parameter invalid in call to DFHZARER
AZRP	DFHZARER	Invalid response from DFHZNAC
AZRQ	DFHZARRA	Invalid parameter in call to DFHZARRA
AZRR	DFHZARRA	Corrupted header in application buffer
AZRS	DFHZARRA	DFHZARRA cannot acquire main memory
AZRT	DFHZARRA	Invalid application buffer
AZRU	DFHZARRF	Unexpected response from DFHZARR0
AZRV	DFHZARR1	Unexpected response from DFHZARR0
AZRW	DFHZARRA	Negative record length in the TCTTE
AZRY	DFHZARR	Unexpected response from DFHZARRC
AZRZ	DFHZARR	Unexpected response from an internal subroutine
AZR2	DFHZARRA	DFHZARRA can not acquire main memory
AZR3	DFHZARRA	Task purged during GETMAIN request
AZR4	DFHZARER	Unexpected response from dispatcher domain call
AZR5	DFHZARR1	Unexpected response from dispatcher domain call
AZR6	DFHZARER	Exception condition from APPC routine DFHZARL to RM domain
AZS0	DFHZSTAP	DFHZSTAM macro passed invalid request
AZS1	DFHZSTAP	No TCTTE pointer passed via DFHZSTAM macro
AZS2	DFHZSTAP	TCTTE passed via DFHZSTAM does not relate to MRO or APPC conversation
AZS3	DFHZSTAP	No LUCX found for an APPC TCTTE
AZS4	DFHZSTAP	DFHZUSRM LUC State Machine has invalid setting
AZS5	DFHZSTAP	Internal State number has invalid setting
AZS6	DFHZSTAP	Internal State number has invalid setting
AZTA	DFHZTSP	Task does not own terminal as principal facility
AZTB	DFHZTSP	Attempt to delete/install remote terminal failed
AZTC	DFHZTSP	Failure of remote terminal install or delete caused by SOS condition
AZTF	DFHZTSP	TCTTE length error due to storage violation, or CICS logic error
AZTG	DFHZTSP	Principal facility not intersystem TCTTE
AZTH	DFHZTSP	Error response from remote terminal control macro
AZTI	DFHZTSP	Terminal not defined as remotely owned
AZTL	DFHZTSP	Request to invalid terminal
AZTM	DFHZTSP	Data has no FMH
AZTN	DFHZTSP	Conversation unexpectedly terminated
AZTO	DFHZTSP	TCTTE ownership chain in error
AZTP	DFHZTSP	BMS TYPE=STORE request failed
AZTQ	DFHZTSP	Invalid BMS data received from remote system
AZTR	DFHZTSP	BMS TYPE=PAGEOUT request failed
AZTS	DFHZTSP	Data ship to remote system failed
AZTT	DFHZTSP	Connection with remote system not APPC or MRO connection

Abend codes

Abend	Module	Explanation
AZTU	DFHZTSP	Link TCTTE not owned by task after syncpoint
AZTV	DFHZTSP	Invalid FMH received from remote system
AZTW	DFHZTSP	Attach request to task already running
AZTY	DFHZTSP	Maximum APPC sessions limit reached
AZTZ	DFHZTSP	Relay program DFHCRT attached in unsupported manner
AZT1	DFHZTSP	Task attached improperly in AOR when transaction routing
AZT3	DFHZTSP	Task is being routed back to region from where it came
AZT6	DFHZTSP	TOR has violated transaction routing protocol
AZT7	DFHZTSP	TCT entry for remotely owned APPC terminal can not be added to TCT
AZT8	DFHZTSP	TCT entry for remotely owned APPC terminal can not be deleted from TCT
AZT9	DFHZTSP	TCT entry for remotely owned APPC terminal can not be deleted from TCT as it is locked by another task
AZVA	DFHZATS	Time-out while waiting for service transaction CITS to complete
AZVB	DFHZATS	DFHZCQ failed to create remote terminal definition
AZVC	DFHZATS	Unexpected error in DFHZATS
AZVD	DFHZATS	Unexpected error in install procedure of DFHZATS
AZVE	DFHZATS	Terminal has same ID as an existing TCT entry
AZVF	DFHZATS	An attempt was made to start CITS/CDTS/CMTS/CFTS from a terminal
AZVG	DFHZATS	Error in remote delete routines
AZVH	DFHZATS	Error in remote delete routine while processing mass delete
AZVI	DFHZATS	Error in remote delete routine while processing single delete
AZVJ	DFHZATS	Error in mass deletion of remote terminals
AZVK	DFHZATS	Unexpected return code during deletion of single terminal
AZVL	DFHZATS	Error in mass flag routine of remote terminals for deletion
AZVM	DFHZATMF	Error in DFHZATMF
AZVN	DFHZATMF	CRMF started directly from terminal
AZVO	DFHZATMD	CRMD started directly from terminal
AZVP	DFHZATMD	Error in DFHZATMD
AZVQ	DFHZATS	Request to install a shipped terminal definition rejected by autoinstall user program
AZVR	DFHZATS	Unexpected return code from autoinstall user program
AZVS	DFHZATS	Error in autoinstall user program
AZVU	DFHZATS	Autoinstall of shipped terminal, virtual terminal or shipped connection failed

Abend codes

Abend	Module	Explanation
AZXA	DFHZXCU	Catch-up program finds unexpected error, reason code 5
AZXB	DFHZXCU	Catch-up program finds unexpected error, reason code 4
DHxx	DFH*****	EXEC DL/I error or invalid status code (xx)
0100	DFHEAP DFHECP DFHEDP DFHEPP	Translator error opening listing data set
0101	DFHEAP DFHECP DFHEDP DFHEPP	Translator program check
0211	DFHPD DFHPDX	Recursive program check in system dump
0212	DFHPD DFHPDX	Too many program checks in system dump
0300	DFHCSDUP	SYSIN data set failed to open successfully
0301	DFHCSDUP	Invalid RECFM in SYSIN DD statement
0302	DFHCSDUP	Invalid record length in SYSIN DD statement
0303	DFHCSDUP	SYSPRINT data set has not opened successfully
0304	DFHCSDUP	DFHCSDUP found unrecognized resource type code in CSD record
0305	DFHCSDUP	Unexpected return code received
0307	DFHCSDUP	Attempt to print input command failed
0308	DFHCSDUP	Bad command sequence found migrating TCT table
0309	DFHCSDUP	Unrecognized function code found in command
0321	DFHCSDUP	Internal error in DFHCSDUP module
0322	DFHCSDUP	Table to be migrated could not be loaded
0323	DFHCSDUP	VSAM detected an error processing a command
0325	DFHCSDUP	Error occurred during execution of DFHDMP function
0326	DFHCSDUP	Internal logic error in DFHCSDUP utility program
0327	DFHCSDUP	Language table DFHEITCU could not be loaded
0328	DFHCSDUP	Language table DFHEITCU could not be unloaded
0330	DFHCSDUP	Cross-reference table size too small
0331	DFHCSDUP	*** NO DESCRIPTION FOUND ***
0332	DFHCSDUP	*** NO DESCRIPTION FOUND ***
0401	DFHXCSTB	EXCI call made in AMODE 24
0402	DFHXCPRH	Nonzero return code following MVS ESTAE issued by DFHXCPRH
0403	DFHXCPRH	Nonzero return code following MVS GETMAIN request by DFHXCPRH
0404	DFHXCPRH	EXCI dump services not available to take MVS SDUMP
0405	DFHXCPRH	Failure of SSI VERIFY request by DFHXCPRH
0406	DFHXCPRH	Failure of CICS SVC call during EXCI initialization
0407	DFHXCPRH	CICS SVC at the wrong level for EXCI

Abend codes

Abend	Module	Explanation
0408	DFHXCPRH	Failure of MVS GETMAIN request by DFHXCPRH for working storage
0409	DFHXCPRH	Failure of MVS GETMAIN request by DFHXCPRH for SSI VERIFY
0410	DFHXCPRH	Failure of MVS GETMAIN request by DFHXCPRH for XCUSER block
0411	DFHXCDMP	Failure of CICS SVC call by DFHXCDMP
0412	DFHXCEIP	Invalid function in EXEC parameter list of EXCI EXEC API request
0413	DFHXCEIP	Error in EXEC parameter list of EXCI EXEC API request
0414	DFHXCEIP	Nonzero return code following MVS ESTAE issued by DFHXCEIP
0415	DFHXCEIP	Error in EXCI initialization detected by DFHXCEIP
0501	DFHCALLA, DFHMSGIF, DFHTRCIF	JCICS request attempted on a pthread
0555	DFHAPLJ	CICS JVM interface percolation abend to drive LanguageEnvironment recovery

Chapter 14. 1xxx-9xxx (COBOL II) abend codes

Abend codes with 1 through 9 as the first character are issued by COBOL II applications running on CICS. The last three digits of the abend code, *xxx*, correspond to the *xxx* in the associated COBOL II run-time message, IGZ*xxx*l.

COBOL II run-time messages are described in the *VS COBOL II Application Program Debugging Guide*, SC26-4049.

VTAM

Chapter 15. VTAM-associated errors

This section lists the terminal error codes from VTAM.

VTAM terminal error codes and CICS message numbers

Terminal error codes from VTAM are put in a one-byte field of the DFHZNAC COMMAREA (DFHNEPCA) at label TWAEC.

For those error codes that have CICS messages associated with them, you should see the *CICS Messages and Codes* for descriptions of the corresponding error conditions.

CICS message	Action flags set	Error code	Symbolic label
DFHZC0101		X'5D'	TCZPRDTO
DFHZC0125		X'FB'	TCZPSUNB
DFHZC0131		X'FC'	TCZPSOPN
DFHZC0144	11	X'7A'	TCZPSRAC
DFHZC0145	3 9 10 11 24 DUMPNTA	X'79'	TCZPSRAF
DFHZC0146		X'FD'	TCZPSRC
DFHZC0147	3 9 10 11 24 DUMPNTA	X'71'	TCZPSLE
DFHZC0148	9 10 11 24	X'72'	TCZPSVF
DFHZC0149		X'FF'	TCZPSPE
DFHZC0150	3 9 10 11 15 24 DUMPNTA	X'FE'	TCZPSRF
DFHZC0155	3 9 10 11 24 DUMPNTA	X'6C'	TCZPSAF
DFHZC0156		X'6D'	TCZPSAR
DFHZC2102	3	X'E9'	TCZSTIND
DFHZC2117	9 10 11 23 24	X'DB'	TCZPIPL
DFHZC2351	2 3	X'6F'	TCZSDAS
DFHZC2400	2 3 9 10 11 24 AOS	X'C1'	TCZSRCAT
DFHZC2401	2 3 9 10 11 24 OUTSERV	X'B1'	TCZRPLAC
DFHZC2402	3 11	X'B4'	TCZRSNE
DFHZC2403	2 5 18 24	X'11'	TCZSRCBF
DFHZC2404		X'E6'	TCZDMLG
DFHZC2404	2 3 9 10 11 24 AOS	X'14'	TCZLRCER
DFHZC2404	2 3 9 10 11 24 AOS	X'18'	TCZLRCNR
DFHZC2405	18	X'10'	TCZSRCTU
DFHZC2406	9 10 11 18	X'19'	TCZSRCTS
DFHZC2407	2 3 9 10 11 24	X'15'	TCZSRCPF

VTAM

CICS message	Action flags set	Error code	Symbolic label
DFHZC2408	2 3 9 10 11 18 24	X'1A'	TCZSRCVE
DFHZC2408	2 3 9 10 11 18 24	X'1E'	TCZSRCV2
DFHZC2409	2 3 9 10 11 15 24	X'D0'	TCZTXCS
DFHZC2410	2 3 9 10 11 18 24	X'D1'	TCZTXCU
DFHZC2411		X'E0'	TCZDMSN
DFHZC2412		X'E1'	TCZDMRA
DFHZC2413	2	X'E2'	TCZDMCL
DFHZC2414		X'80'	TCZSRCSP
DFHZC2416	18 24	X'13'	TCZSRCVH
DFHZC2417	2 24	X'1D'	TCZSRCVI
DFHZC2417		X'20'	TCZVTAMI
DFHZC2418	2 3 9 10 11 24 AOS	X'BB'	TCZSEXUC
DFHZC2419	2 3 9 10 11 24 AOS	X'82'	TCZSSXUC
DFHZC2420	2 3 9 10 11 24 AOS	X'B5'	TCZSAXUC
DFHZC2421	2 3 9 10 11 24	X'60'	TCZUNCMD
DFHZC2422	1 2 3 9 10 11 DUMPNTA	X'90'	TCZLGCER
DFHZC2423	3 9 10 11 24	X'74'	TCZSDSE5
DFHZC2424	3 9 10 11 15 24	X'75'	TCZSESE1
DFHZC2425	3 9 10 11 15 24	X'B2'	TCZSDAUC
DFHZC2426	2 3 9 10 11 22	X'94'	TCZRACES
DFHZC2427	2	X'C5'	TCZSRCNA
DFHZC2428	3 9 11	X'92'	TCZSDSE6
DFHZC2429	3 10 11	X'91'	TCZRSTLE
DFHZC2430	3 9 11 RESP	X'78'	TCZSDRE2
DFHZC2431	2 3 9 10 11	X'CB'	TCZSRCTC
DFHZC2432		X'81'	TCZSSXNR
DFHZC2433		X'E4'	TCZAIER
DFHZC2434	3 11	X'43'	TCZCPYNS
DFHZC2435	3 10 11 24	X'96'	TCZRVSZ1
DFHZC2436	3 10 11	X'97'	TCZRVSZ3
DFHZC2437	3 9 11	X'73'	TCZSDSE4
DFHZC2438	3 10 11	X'A1'	TCZRVSZ2
DFHZC2439	2 18	X'98'	TCZACT01
DFHZC2440		X'D7'	TCZSXC1
DFHZC2441		X'D6'	TCZSXC2
DFHZC2442		X'DC'	TCZPX1
DFHZC2443	2 3 9 10 11 24	X'59'	TCZROCT
DFHZC2444	2 3 9 10 11 24	X'A3'	TCZBKTSE
DFHZC2445	3 9 11	X'95'	TCZSDSE8

VTAM

CICS message	Action flags set	Error code	Symbolic label
DFHZC2446	2 3 9 10 11 24 AOS	X'84'	TCZSSXIB
DFHZC2447	3 9 10 11 AOS	X'9A'	TCZDOMCF
DFHZC2448	2 3 10 11 24 AOS RESP	X'65'	TCZINVR
DFHZC2449	2 3 11 18 22 24	X'A7'	TCZBOEB
DFHZC2450		X'83'	TCZSSXAR
DFHZC2451	2 3 9 10 11	X'CC'	TCZSRCCI
DFHZC2452	3 9 10 11 18 24	X'D5'	TCZCXE2
DFHZC2453	1 2 3 9 10	X'D4'	TCZCXRR
DFHZC2454	2 3 9 10 11	X'CD'	TCZSRCCX
DFHZC2455	2 3 9 10 11	X'93'	TCZRACET
DFHZC2456	2 3 9 10 11 18 24	X'44'	TCZSRCDE
DFHZC2457	2 3 9 10 11 24	X'D8'	TCZRNCH
DFHZC2458		X'DD'	TCZPX2
DFHZC2459	3 9 11	X'99'	TCZSDSE7
DFHZC2463		X'D3'	TCZDMPD
DFHZC2467	2 3 9 10 11 24 AOS	X'88'	TCZLEXCI
DFHZC2468	2 3 9 10 11 24	X'89'	TCZLEXUS
DFHZC2469	2 3 9 10 11	X'D9'	TCZYX43
DFHZC2469	2 3 9 10 11	X'F2'	TCZEXRVT
DFHZC2470	9 10 11 24	X'DA'	TCZSXC3
DFHZC2471	2 3 10 11 22 24 PRTTIOA	X'A8'	TCZFMHLE
DFHZC2472	11	X'A9'	TCZRACRF
DFHZC2473	3 9 11	X'AA'	TCZSDSE9
DFHZC2485	3 9 10 11	X'E3'	TCZCNCL
DFHZC2486	3	X'9B'	TCZRACNL
DFHZC2487	3	X'76'	TCZLGNA
DFHZC2488		X'77'	TCZDMRY
DFHZC2489	3 9 11	X'40'	TCZINCPY
DFHZC2490	2 3 9 10 11 15 24	X'41'	TCZTOLRQ
DFHZC2497		X'42'	TCZUNPRT
DFHZC2498		X'4B'	TCZICPUT
DFHZC3400	3 10 11 RESP	X'45'	TCZCHMX
DFHZC3402	3 9 10 11	X'46'	TCZOCIR
DFHZC3409	2 3 9 10 11 24 AOS	X'85'	TCZUNEGR
DFHZC3410	2 3 9 10 11	X'BC'	TCZINIIR
DFHZC3416	2 3	X'E8'	TCZDMSLE
DFHZC3417	3 9 10 11 24	X'50'	TCZSDRE3
DFHZC3418	3 9 10 11 24	X'51'	TCZBDPRI
DFHZC3419	2 3 5	X'52'	TCZBDUAC
DFHZC3420	20	X'53'	TCZBDTOS
DFHZC3421	20	X'5A'	TCZSBIRV

VTAM

CICS message	Action flags set	Error code	Symbolic label
DFHZC3422	2 3 9 10 11 18 24	X'5B'	TCZNSP01
DFHZC3424	9 10 11 15 24	X'5C'	TCZNSP02
DFHZC3428	3	X'EB'	TCZSTRMH
DFHZC3429	2 3	X'EC'	TCZSTRMM
DFHZC3430	2 3	X'ED'	TCZSTON
DFHZC3431	2 3	X'EF'	TCZSTIN
DFHZC3432	2 3	X'EA'	TCZSTLER
DFHZC3433		X'58'	TCZERMGR
DFHZC3434	2 3 9 10 11 24	X'54'	TCZUNBIS
DFHZC3440		X'55'	TCZEMWBK
DFHZC3441		X'63'	TCZVTAMO
DFHZC3442		X'67'	TCZVTAMK
DFHZC3443		X'64'	TCZVTAMA
DFHZC3444	2 3 9 10 11 24 PRTACT	X'6A'	TCZTIOAE
DFHZC3452		X'66'	TCZSIGR
DFHZC3454	2 3 5 18 24	X'5E'	TCZBRUAC
DFHZC3455	2 3 5 18 24	X'5F'	TCZBDSQP
DFHZC3461		X'48'	TCZOPSIN
DFHZC3462		X'49'	TCZCLSIN
DFHZC3463		X'4A'	TCZOPACB
DFHZC3464	20	X'57'	TCZRELIS
DFHZC3465	1 2 3 9 10 11 AOS	X'9D'	TCZRSPER
DFHZC3466	20 AOS	X'69'	TCZSEXOS
DFHZC3468	9 10 11 15 24	X'70'	TCZCLRRV
DFHZC3469	9 10 11 24	X'CE'	TCZVHOLD
DFHZC3470	9 10 11 24	X'AB'	TCZLUERR
DFHZC3470	9 10 11 24	X'37'	TCZXSHRA
DFHZC3471	9 10 11 24	X'CF'	TCZVRNOP
DFHZC3472		X'9E'	TCZDEVND
DFHZC3473		X'4D'	TCZSLSRL
DFHZC3474	9 10 11 24	X'AC'	TCZVRDAC
DFHZC3475	9 10 11 24	X'AD'	TCZNRLUF
DFHZC3476	9 10 11 24	X'AE'	TCZRCLUF
DFHZC3477	9 10 11 24	X'AF'	TCZCLEAN
DFHZC3479	2 3 9 10 11 24	X'4E'	TCZUNBFE
DFHZC3480	24 AOS	X'A0'	TCZNOISC
DFHZC3481	2 3 9 10 11 24	X'4C'	TCZDSPCL
DFHZC3482		X'DF'	TCZDMGF
DFHZC3484		X'C6'	TCZPASSD
DFHZC3485	24	X'C7'	TCZPSPRE
DFHZC3486	24	X'C2'	TCZLUINP
DFHZC3487	24	X'C9'	TCZNPSAU
DFHZC3488	2 3 9 10 11 18 24	X'3C'	TCZXUVAR
DFHZC3489	18 24	X'C8'	TCZLUINH

VTAM

CICS message	Action flags set	Error code	Symbolic label
DFHZC3490	24	X'BF'	TCZCPFAL
DFHZC3491	15 24	X'B0'	TCZEXRO
DFHZC3492		X'16'	TCZDMIT
DFHZC3495	24	X'6B'	TCZNOTNA
DFHZC3499		X'CO'	TCZDWEGF
DFHZC4902	3 9 10 11 24	X'21'	TCZLUCF1
DFHZC4903	3 9 10 11 24	X'22'	TCZLUCF2
DFHZC4904	3 9 10 11 24	X'23'	TCZFSMBE
DFHZC4905	3 9 10 11 24	X'24'	TCZFSMCS
DFHZC4906	3 9 10 11 24	X'25'	TCZFSMCR
DFHZC4907	3 9 10 11 24	X'26'	TCZSDLER
DFHZC4909	3 9 10 11 24	X'28'	TCZRVLER
DFHZC4910	3 9 10 11 24	X'29'	TCZRVLRB
DFHZC4911	2 3 9 10 11 24	X'2A'	TCZRLPEX
DFHZC4912	2 3 9 10 11 24	X'2B'	TCZRLPBD
DFHZC4913	2 3 9 10 11 24	X'2C'	TCZRLPDR
DFHZC4914	2 3 9 10 11 24	X'2D'	TCZRLPIL
DFHZC4915	2 3 9 10 11 24	X'2E'	TCZRLPEC
DFHZC4916	2 3 9 10 11 24	X'2F'	TCZRLPRR
DFHZC4917	2 3 9 10 11 24	X'30'	TCZRLPIF
DFHZC4918	2 3 9 10 11 24	X'31'	TCZRLPIR
DFHZC4919	2 3 9 10 11 24	X'33'	TCZIVIND
DFHZC4920	2 3 9 10 11 24	X'34'	TCZIVDAT
DFHZC4922	N24	X'32'	TCZRLXCL
DFHZC4924	2 3 5 24	X'B6'	TCZNSEED
DFHZC4925	2 3 5 24	X'B7'	TCZASINC
DFHZC4926	2 3 5 24	X'B8'	TCZEVBAD
DFHZC4927	2 3 5 24	X'B9'	TCZFMH12
DFHZC4928	24	X'BD'	TCZDESGM
DFHZC4929	2 3 5 24	X'B3'	TCZBDBND
DFHZC4930	2 3 9 10 11 24	X'35'	TCZRTMT
DFHZC4931	18 24	X'F1'	TCZBDMOD
DFHZC4932	2 3 24	X'F3'	TCZICTYP
DFHZC4933	2 3 24	X'F4'	TCZIDBA
DFHZC4934	2 3 24	X'F5'	TCZISYNL
DFHZC4935	2 3 24	X'F6'	TCZIUOW
DFHZC4936	2 3 24	X'F7'	TCZIFMHL
DFHZC4937	2 3 5 24	X'8A'	TCZLUSRR
DFHZC4938	2 3 5 24	X'8B'	TCZLUSRF
DFHZC4939	2 3 5 24	X'8C'	TCZLUPUN
DFHZC4940	2 3 5 24	X'8F'	TCZLUSKN
DFHZC4941	2 3 5 24	X'8D'	TCZLUPLK
DFHZC4942	2 3 5 24	X'8E'	TCZLUPEX
DFHZC4943	3 9 10 11 24	X'F8'	TCZFSMRB
DFHZC4944	2 3 5 24	X'BE'	TCZBFAIL
DFHZC4945	3 9 10 11 24	X'A2'	TCZPRGE
DFHZC4946	2 3 24	X'F9'	TCZINVAT
DFHZC4947	2 3 24	X'FA'	TCZLUSEC

VTAM

CICS message	Action flags set	Error code	Symbolic label
DFHZC6590		X'3F'	TCZXRST
DFHZC6591	9 10 11 15 24	X'3E'	TCZXERR
DFHZC6593		X'3B'	TCZXSBC
DFHZC6594	24	X'3A'	TCZXSHR
DFHZC6595	2 3 5 24	X'39'	TCZXSABN
DFHZC6596	2 3 15 24	X'38'	TCZXSWS
DFHZC6598		X'56'	TCZXRFS

System sense codes

Chapter 16. System sense codes received

This section contains Product-sensitive Programming Interface information.

This table lists the actions taken by DFHZNAC on receipt of inbound system sense codes.

Sense code	Message	Action flags set
0001	DFHZC3401	2
0002	DFHZC3415	2, 3, 10, 11
0003	DFHZC3449	None
0004	DFHZC3450	None
0007	DFHZC3451	None
00FF	DFHZC3446	2, 3, 9, 10, 11, 23, 24
0801	DFHZC2476	3, 9, 10, 11
0802	DFHZC2461	None
0806	DFHZC3426	None
0807	DFHZC3411	None
080B	DFHZC2462	2, 3, 9, 10, 11, 15, 24
080E	DFHZC3448	23
080F	DFHZC3436	9, 10, 11
0811	DFHZC2464	9, 10, 11
0812	DFHZC2465	2, 3
081B	DFHZC2483	2, 3
081C	DFHZC2466	2, 3, 9, 10, 11
0824	DFHZC2475	3, 9, 10, 11
0825	DFHZC2484	2, 3, 9, 10, 11
0826	DFHZC3423	2, 3, 9, 10, 11
0827	DFHZC2480	3
0829	DFHZC3407	1, 2, 3, 10, 11, 24
082A	None	9, 32
082B	DFHZC3408	2, 3, 10, 11, 13
082D	DFHZC3413	None
082E	DFHZC3412	None
082F	DFHZC3414	2, 3, 9, 10, 11
0831	DFHZC3438	None
0833	DFHZC3427	None
0847	DFHZC3439	None
084A	None	32
084C	DFHZC3467	9, 10, 11
0860	DFHZC3459	None
0863	DFHZC3460	9, 10, 11
0864	DFHZC2475	3, 9, 10, 11
0865	DFHZC2465	3, 9, 10, 11
0866	DFHZC2475	3, 9, 10, 11
0867	None	9, 10, 11
0868	DFHZC3456	2, 9, 10, 11

System sense codes

Sense code	Message	Action flags set
0869	DFHZC3457	2, 9, 10, 11
08FF	DFHZC3447	2, 3, 9, 10, 11, 24
1000	DFHZC3494	2, 3, 9, 10, 11
1001	DFHZC2481	2, 3, 9, 10, 11, 14
1002	DFHZC2481	2, 3, 9, 10, 11, 14
1003	DFHZC2479	2, 3, 9, 10, 11, 14
1005	DFHZC3406	2, 3, 4, 9, 10, 11, 14
1008	DFHZC2478	None
1009	DFHZC3458	2, 9, 10, 11
10FF	DFHZC3446	2, 3, 9, 10, 11, 23, 24
2003	DFHZC3405	2, 3, 9, 10, 11, 15, 24
20FF	DFHZC3445	2, 3, 9, 10, 11, 23, 24
400B	DFHZC2477	1, 3, 11
40FF	DFHZC3453	2, 3, 9, 10, 11, 23, 24
8000	DFHZC3435	2, 3, 9, 10, 11, 18, 24
8005	DFHZC3435	2, 3, 9, 10, 11, 18, 24
80FF	DFHZC3435	2, 3, 9, 10, 11, 18, 23, 24
FFFF	DFHZC2460	2, 3, 9, 10, 11, 23, 24

Message	Sense code	Action flags set
DFHZC2460	FFFF	2, 3, 9, 10, 11, 23, 24
DFHZC2461	0802	None
DFHZC2462	080B	2, 3, 9, 10, 11, 15, 24
DFHZC2464	0811	9, 10, 11
DFHZC2465	0812	2, 3
DFHZC2465	0865	3, 9, 10, 11
DFHZC2466	081C	2, 3, 9, 10, 11
DFHZC2475	0824	3, 9, 10, 11
DFHZC2475	0864	3, 9, 10, 11
DFHZC2475	0866	3, 9, 10, 11
DFHZC2476	0801	3, 9, 10, 11
DFHZC2477	400B	1, 3, 11
DFHZC2478	1008	None
DFHZC2479	1003	2, 3, 9, 10, 11, 14
DFHZC2480	0827	3
DFHZC2481	1001	2, 3, 9, 10, 11, 14
DFHZC2481	1002	2, 3, 9, 10, 11, 14
DFHZC2483	081B	2, 3
DFHZC2484	0825	2, 3, 9, 10, 11
DFHZC3401	0001	2
DFHZC3405	2003	2, 3, 9, 10, 11, 15, 24
DFHZC3406	1005	2, 3, 4, 9, 10, 11, 14
DFHZC3407	0829	1, 2, 3, 10, 11, 24
DFHZC3408	082B	2, 3, 10, 11, 13
DFHZC3411	0807	None

System sense codes

Message	Sense code	Action flags set
DFHZC3412	082E	None
DFHZC3413	082D	None
DFHZC3414	082F	2, 3, 9, 10, 11
DFHZC3415	0002	2, 3, 10, 11
DFHZC3423	0826	2, 3, 9, 10, 11
DFHZC3426	0806	None
DFHZC3427	0833	None
DFHZC3435	8000	2, 3, 9, 10, 11, 18, 24
DFHZC3435	8005	2, 3, 9, 10, 11, 18, 24
DFHZC3435	80FF	2, 3, 9, 10, 11, 18, 23, 24
DFHZC3436	080F	9, 10, 11
DFHZC3438	0831	None
DFHZC3439	0847	None
DFHZC3445	20FF	2, 3, 9, 10, 11, 23, 24
DFHZC3446	00FF	2, 3, 9, 10, 11, 23, 24
DFHZC3446	10FF	2, 3, 9, 10, 11, 23, 24
DFHZC3447	08FF	2, 3, 9, 10, 11, 24
DFHZC3448	080E	23
DFHZC3449	0003	None
DFHZC3450	0004	None
DFHZC3451	0007	None
DFHZC3453	40FF	2, 3, 9, 10, 11, 23, 24
DFHZC3456	0868	2, 9, 10, 11
DFHZC3457	0869	2, 9, 10, 11
DFHZC3458	1009	2, 9, 10, 11
DFHZC3459	0860	None
DFHZC3460	0863	9, 10, 11
DFHZC3467	084C	9, 10, 11
DFHZC3494	1000	2, 3, 9, 10, 11
None	082A	9, 32
None	084A	32
None	0867	9, 10, 11

System sense codes

Action flag settings and default actions

.....

These are the default actions generated by DFHZNAC for DFHZNEP. The default actions can vary from the actions set, depending on the state of the node at the time of the error.

Flag	Field	Bit mask	Hex bit setting	Action
1	TWAOPT1	1... ..	"X'80"	Print action flags
2		.1.. ..	"X'40"	Print VTAM RPL
3		..1.	"X'20"	Print TCTTE
4		...1	"X'10"	Print TIOA
5	 1...	"X'08"	Print BIND area
6	1..	"X'04"	System dump if no task attached
9		1... ..	"X'80"	Abort any send for this terminal
10	TWAOPT2	.1.. ..	"X'40"	Abort any receive for " "
11		..1.	"X'20"	Abend any task attached to TCTTE
12		...1	"X'10"	Cancel any task attached to TCTTE
13	 1...	"X'08"	Good Morning message to be sent
14	1..	"X'04"	Purge any BMS pages for this TCTTE
15	1.	"X'02"	SIMLOGON required
17	TWAOPT3	1... ..	"X'80"	Set INTLOG now allowed
18		.1.. ..	"X'40"	Set no internal general logons
20		...1	"X'10"	Normal CLSDST (no reset allowed)
21	 1...	"X'08"	Normal CLSDST (reset allowed)
22	1..	"X'04"	Send negative response
23	1.	"X'02"	Keep node out of service
24	1	"X'01"	CLSDST node

VTAM identifiers

Chapter 17. VTAM submodule identifiers

This chapter contains Product-sensitive Programming Interface information.

Hex ID	Module	Description
X'00'	ZDSP	DISPATCH
X'01'	ZARQ	READ /WRITE R
X'02'	ZLOC	LOCATE
X'03'	ZDET	DETACH
X'04'	ZTCP	TCP
X'06'	ZCRQ	COMMAND REQS
X'08'	ZSTU	STATUS CHANGE
X'09'	ZTSP	TERMINAL SHARING
X'0A'	ZHPX	HPO RPL EXEC OS ONLY
X'0B'	ZISP	ALLOCATE/FREE
X'0C'	ZIS1	INTER SYSTEM
X'0D'	ZIS2	INTER SYSTEM 2
X'0E'	ZABD	INVALID REQUEST/ABEND
X'10'	ZATI	ATI
X'11'	ZATT	ATTACH TASK
X'12'	ZFRE	FREE STORAGE
X'13'	ZGET	GET STORAGE
X'14'	ZRAC	RECEIVE ANY
X'15'	ZRST	RESETSR
X'16'	ZRVS	RECEIVE SPEC
X'17'	ZRVX	RECEIVE S EXT
X'18'	ZSDS	SEND NORMAL
X'19'	ZSDX	SEND DATA EXIT
X'1A'	ZUCT	TRANSLATION
X'1B'	ZUIX	USER EXIT
X'1C'	ZACT	ACTIVATE SCAN
X'1D'	ZSDR	SEND RESPONSE
X'1E'	ZHPS	HPO SEND/RCV CALL
X'1F'	ZRPL	RCV.ANY BLDER
X'20'	ZAIT	ATTACH INIT
X'21'	ZASX	ASYN COM EXIT
X'22'	ZCLS	CLOSE DESTIN
X'23'	ZCLX	CLOSE DS EXIT
X'24'	ZDWE	DWE PROCESS
X'25'	ZLEX	LERAD EXIT
X'26'	ZLGX	LOGON EXIT
X'27'	ZLRP	LOGICAL REC
X'28'	ZLTX	LOSTERM EXIT
X'29'	ZOPN	OPEN DESTINAT
X'2A'	ZOPX	OPEN DESTEXIT
X'2B'	ZRAQ	READAHEAD QUE

VTAM identifiers

Hex ID	Module	Description
X'2C'	ZRAR	READAHEAD RET
X'2E'	ZRRX	REL REQUEST EX
X'2F'	ZNSP	NETWORK SPEC EXIT
X'30'	ZRSY	RESYNC
X'31'	ZSAX	SEND COMM EXT
X'32'	ZSCX	SCIP EXIT
X'33'	ZSDA	SEND ASYN COM
X'34'	ZSKR	SEND COMMAND RESPONSE ID
X'35'	ZSES	SESSIONC COM
X'36'	ZSEX	SESSIONC EXIT
X'37'	ZSIM	SIMLOGON
X'38'	ZSIX	SIMLOGON EXIT
X'39'	ZSLS	SETLOGON START
X'3A'	ZSSX	SEND COM EXIT
X'3B'	ZSYX	SYNAD EXIT
X'3C'	ZTAX	TURNAROUND EXIT
X'3D'	ZTPX	TPEND EXIT
X'3E'	ZOPA	VTAM OPEN ACB
X'3F'	ZSHU	VTAM SHUTDOWN
X'40'	ZQUE	TERMINAL SHARING
X'41'	ZEMW	ERROR MESSAGE WRITER
X'42'	ZSYN	SYNCPOINT HANDLER
X'43'	ZTRA	VTAM RPL TRACE
X'44'	ZAND	ABEND CONTROL BLOCK
X'45'	ZCNA	CONSOLE CONTROL
X'46'	ZCNR	CONSOLE REQUEST
X'47'	ZCNC	CONSOLE ABNORMAL COND.
X'48'	ZUAX	ATTACH USER EXIT
X'49'	ZUOX	OUTPUT USER EXIT
X'4A'	ZARL	LU6.2 APPL REQUEST
X'4B'	ZARM	LU6.2 MIGRATION
X'4C'	ZRVL	LU6.2 RECEIVE
X'4D'	ZRLX	LU6.2 RECEIVE EXIT
X'4E'	ZSDL	LU6.2 SEND
X'4F'	ZSLX	LU6.2 SEND EXIT
X'50'	ZERH	LU6.2 APPL ERP
X'52'	ZBKT	LU6.2 BRACKET STATE M/C
X'53'	ZCNT	LU6.2 CONTENTION STATE
X'54'	ZCHS	LU6.2 CHAIN SEND
X'55'	ZCHR	LU6.2 CHAIN RECEIVE
X'56'	ZUSR	LU6.2 CONVERSATION STATE

VTAM identifiers

Hex ID	Module	Description
X'57'	ZDST	SNA-ASCII TRAN ROUTINE
X'58'	ZEV1	ENCRYPTION VALIDATION 1
X'59'	ZEV2	ENCRYPTION VALIDATION 2
X'5E'	ZXRC	XRF TERMINAL RECOVERY
X'5F'	ZXTS	XRF TERMINAL SCAN
X'60'	ZXRL	LU6.2 Transaction Routing
X'61'	ZINT	Initialization Module Ident
X'62'	ZXRT	LU6.2 Transaction Routing TOS
X'63'	ZSTA	LU6.2 Application Status
X'64'	ZRLP	LU6.2 RECEIVE post-vtam
X'65'	ZCRT	LU6.2 RPL_B state
X'66'	ZRAS	LU6.2 Slow-down processing
X'67'	ZXPS	LU6.2 Per sess recovery
X'7D'	ZRLG	RESPONSE LOGGER
X'7E'	ZNAC	NACP
X'7F'	ZRSP	RESYNC SYSTEM TASK
X'80'	ZATR	ZATR restart deletes
X'82'	ZATA	ZATA autoinstall
X'84'	ZATD	ZATD autoinstall delete
X'86'	ZGMM	GOOD MORNING TRANSACTION
X'8B'	ZATS	ZATS remote install entry
X'C0'	ZQ00	DFHZCQ REQUEST ROUTER
X'C1'	ZQIN	ZC INITIALIZE
X'C2'	ZQBA	ZC Bind Analysis
X'C3'	ZQCH	ZC CHANGE
X'C4'	ZQDL	ZC DELETE
X'C5'	ZQIT	ZC INSTALL TCTTE
X'C6'	ZQRC	ZC RECOVER
X'C7'	ZQRS	ZC RESTORE
X'C8'	ZQIQ	ZC INQUIRE
X'C9'	ZQIS	ZC INSTALL
X'CA'	ZTCT	DUMMY TCTTE IDENTIFIER

VTAM identifiers

Storage classes

Chapter 18. AP domain storage classes

This chapter contains Diagnosis, Modification or Tuning information.

This table shows the valid AP domain storage classes. Some classes use a storage accounting area (SAA). For these, the storage class value always appears in the first byte in the accounting area for a storage element. The value is sometimes modified when the top bit is set to indicate getmained storage. As an example, X'01' can appear as X'81'.

Value	Class	SAA
X'01'	TERMINAL24	No
X'02'	CICS	No
X'03'	SHARED_CICS	No
X'04'	LINE	No
X'05'	TERMINAL	No
X'06'	TASK	No
X'07'	TASK24	No
X'08'	CICS24	No
X'09'	SHARED_CICS24	No
X'0C'	CICS24_SAA	Yes
X'0D'	TRANSDATA	Yes
X'0E'	TEMPSTG	Yes
X'11'	USER	No
X'12'	USER24	No
X'13'	SHARED_CICS24_SAA	Yes
X'14'	CONTROL	No
X'16'	TACLE	Yes
X'20'	SHARED_USER24	No
X'21'	SHARED_USER	No

Storage classes

Sending your comments to IBM

If you especially like or dislike anything about this book, please use one of the methods listed below to send your comments to IBM.

Feel free to comment on what you regard as specific errors or omissions, and on the accuracy, organization, subject matter, or completeness of this book.

Please limit your comments to the information in this book and the way in which the information is presented.

To request additional publications, or to ask questions or make comments about the functions of IBM products or systems, you should talk to your IBM representative or to your IBM authorized remarketer.

When you send comments to IBM, you grant IBM a nonexclusive right to use or distribute your comments in any way it believes appropriate, without incurring any obligation to you.

You can send your comments to IBM in any of the following ways:

- By mail, to this address:

Information Development Department (MP095)
IBM United Kingdom Laboratories
Hursley Park
WINCHESTER,
Hampshire
SO21 2JN
United Kingdom

- By fax:
 - From outside the U.K., after your international access code use 44–1962–870229
 - From within the U.K., use 01962–870229
- Electronically, use the appropriate network ID:
 - IBM Mail Exchange: GBIBM2Q9 at IBMMAIL
 - IBMLink™: HURSLEY(IDRCF)
 - Internet: idrcf@hursley.ibm.com

Whichever you use, ensure that you include:

- The publication number and title
- The topic to which your comment applies
- Your name and address/telephone number/fax number/network ID.



Program Number: 5655-147



Printed in the United States of America
on recycled paper containing 10%
recovered post-consumer fiber.

SX33-6104-02



Spine information:



CICS TS for OS/390

CICS User's Handbook

Release 3