

# Work smarter, not harder.

Transform the way you work together and address complexity with IBM.

**Putting It All Together**

Agile Transformation in IBM Web Content Manager

## Presenter

Philip Chan – [philchan@au1.ibm.com](mailto:philchan@au1.ibm.com)

Senior Test Manager, IBM Web Content Manager



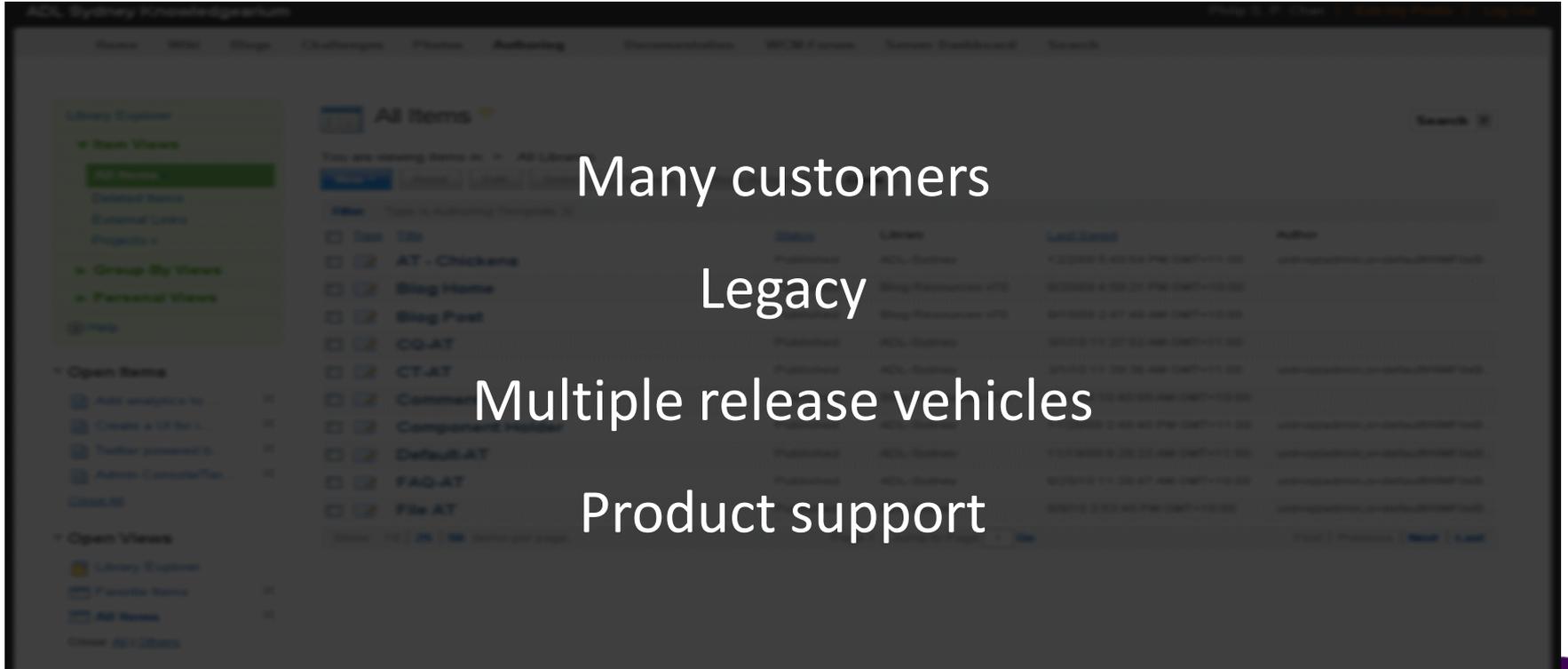
# The Worldwide Portal and WCM Team



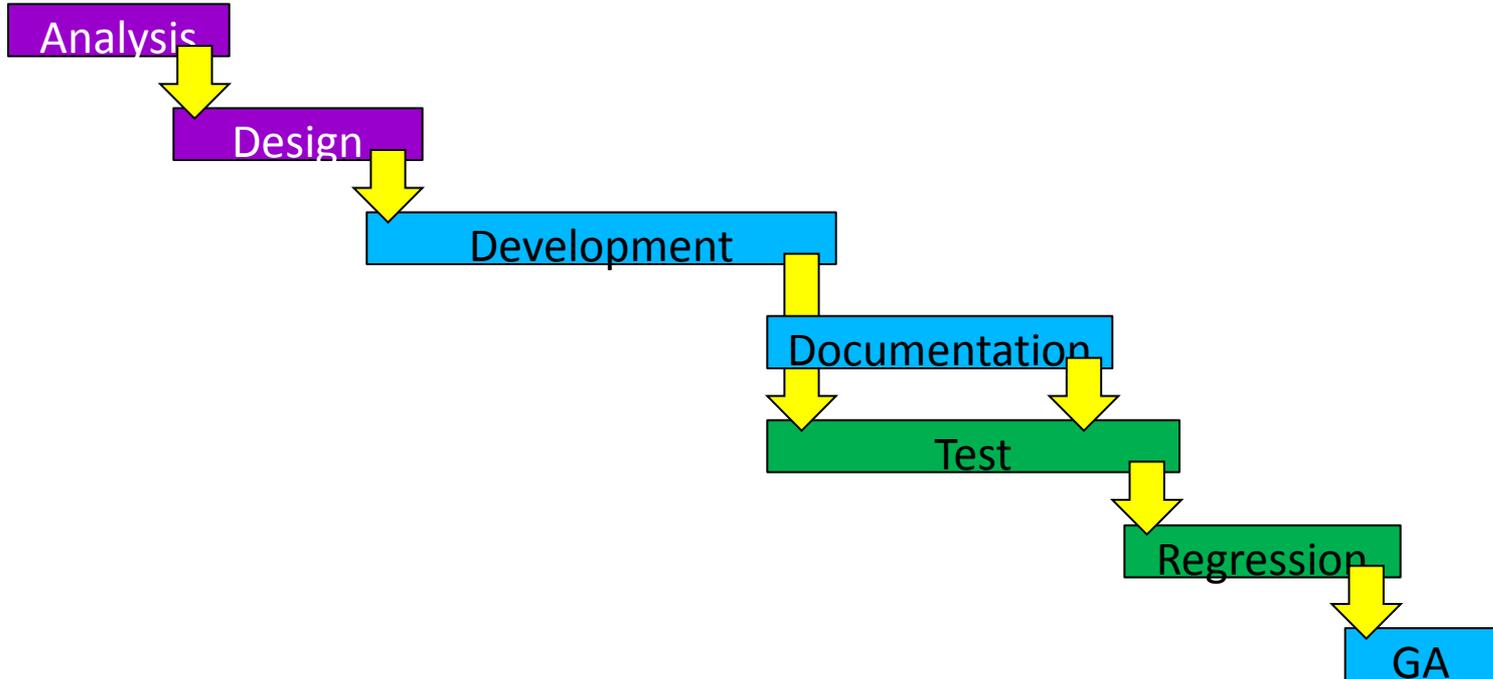
# Established, Global Teams



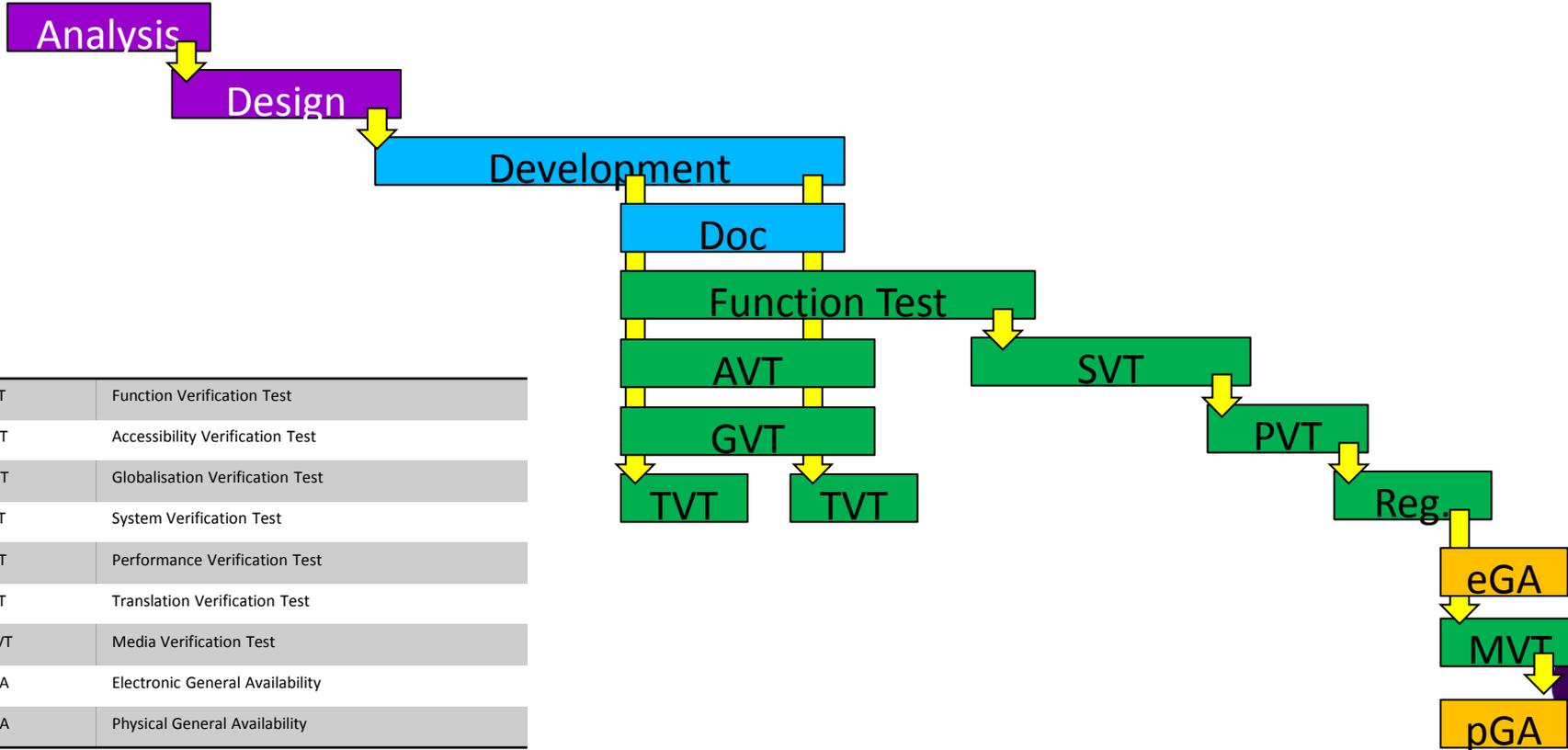
# Agile Product Development



# Our Friend the Waterfall



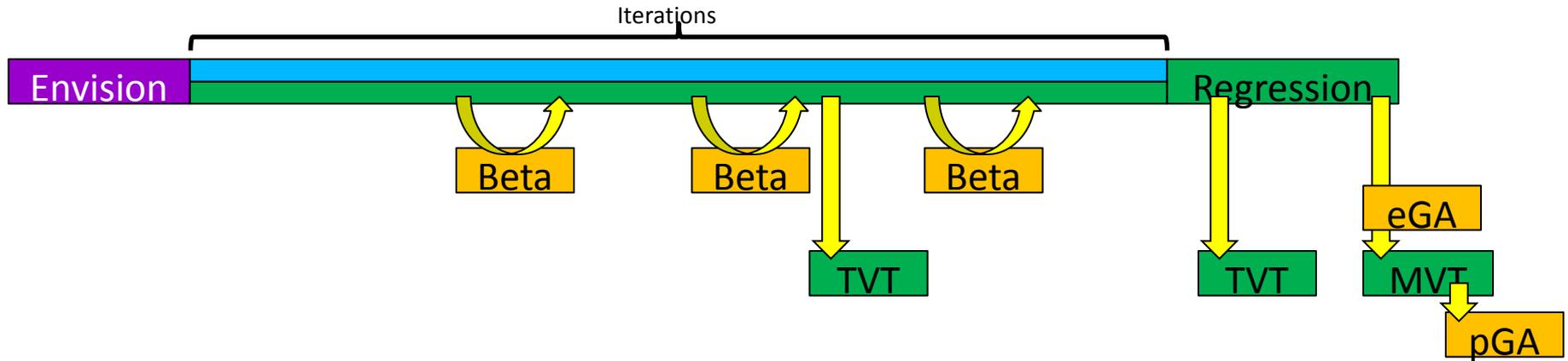
# IBM Product Development Waterfall



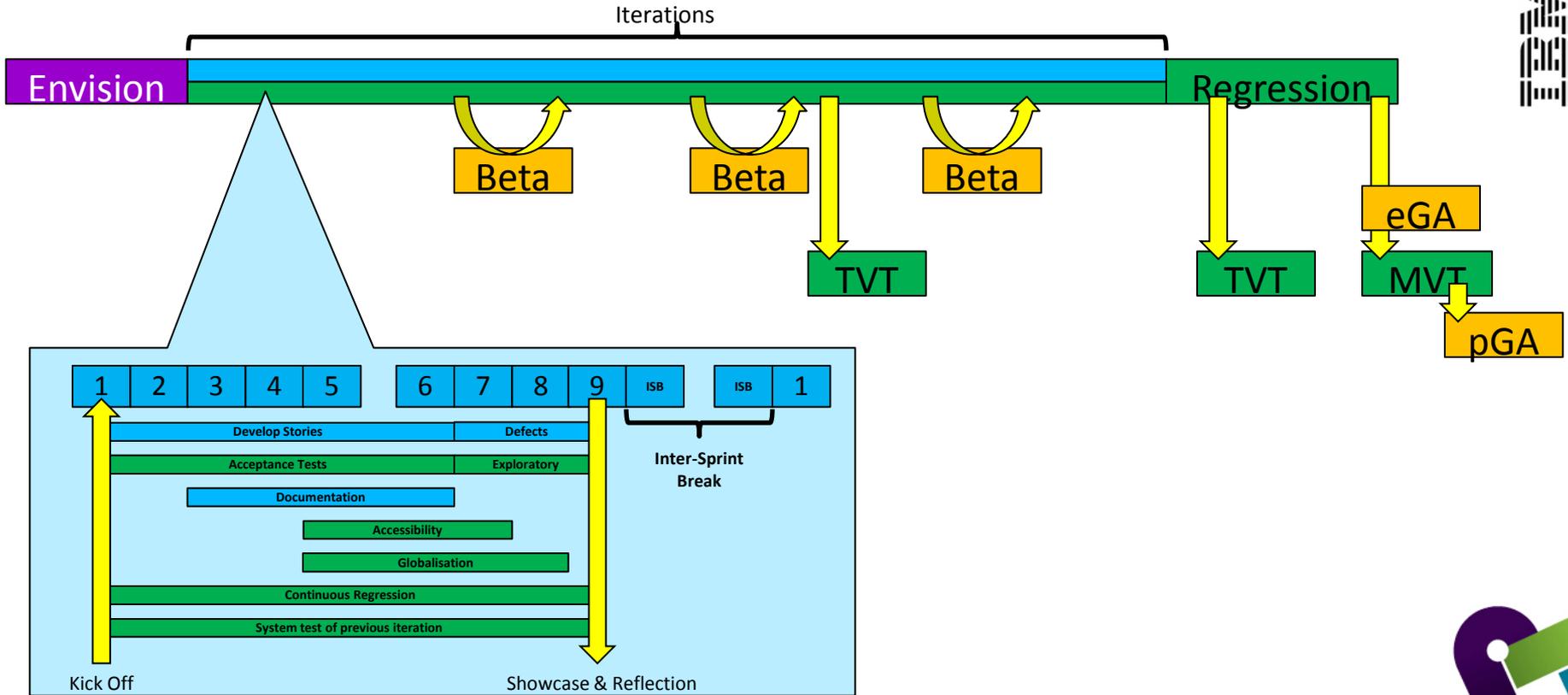
FVT	Function Verification Test
AVT	Accessibility Verification Test
GVT	Globalisation Verification Test
SVT	System Verification Test
PVT	Performance Verification Test
TVT	Translation Verification Test
MVT	Media Verification Test
eGA	Electronic General Availability
pGA	Physical General Availability



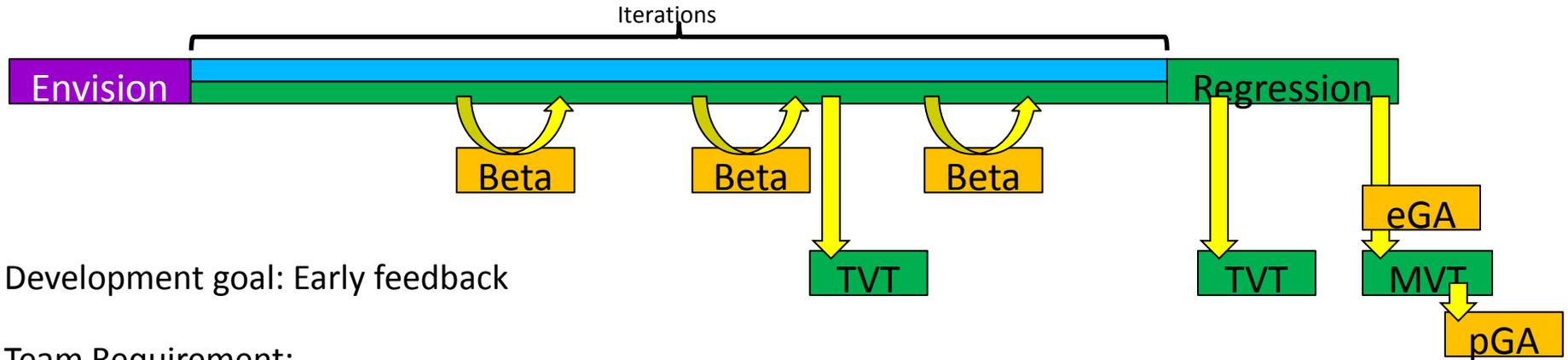
# Agile Process – WebSphere Portal 8.0



# Agile Process – WebSphere Portal 8.0



# Agile Process – WebSphere Portal 8.0

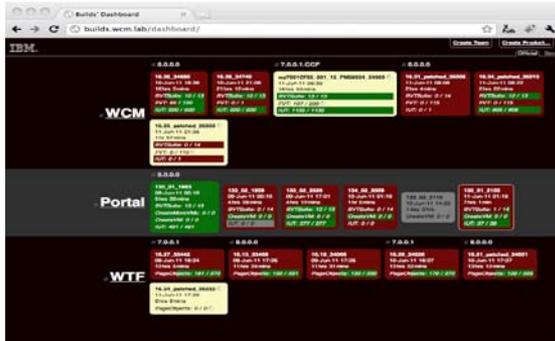




# Continuous Integration



- Continuous integration provides the mechanism for frequent, automatic feedback
- Requirements may change for a global team and their processes
- Acts as global radiator



IBM // WCM // 7.0.0.1		next update in 51		
		BVT	IUT	FVT
16.29_3..67		100	100	100
16.28_3..01		100	100	100
16.27_3..59		100	100	68
16.26_3..55		100	100	19
16.25_3..73		100	100	82
16.24_3..43		100	100	85





**Tool deployment in large, established teams**

**Open source, buy or build?**

**Could your customers use your tools too?**





**Agile does scale well to large, established, global teams**

**Bring feedback earlier in the cycle**

**Understand your tooling requirements and solve them iteratively**

**Large scale transformation takes time**

**We just released a beta for WebSphere Portal 8.0. You should try it!**





**Thank you!**

