

第9章 部品表

本章では、5557-H02 シリアル・プリンターの保守部品を図示する。

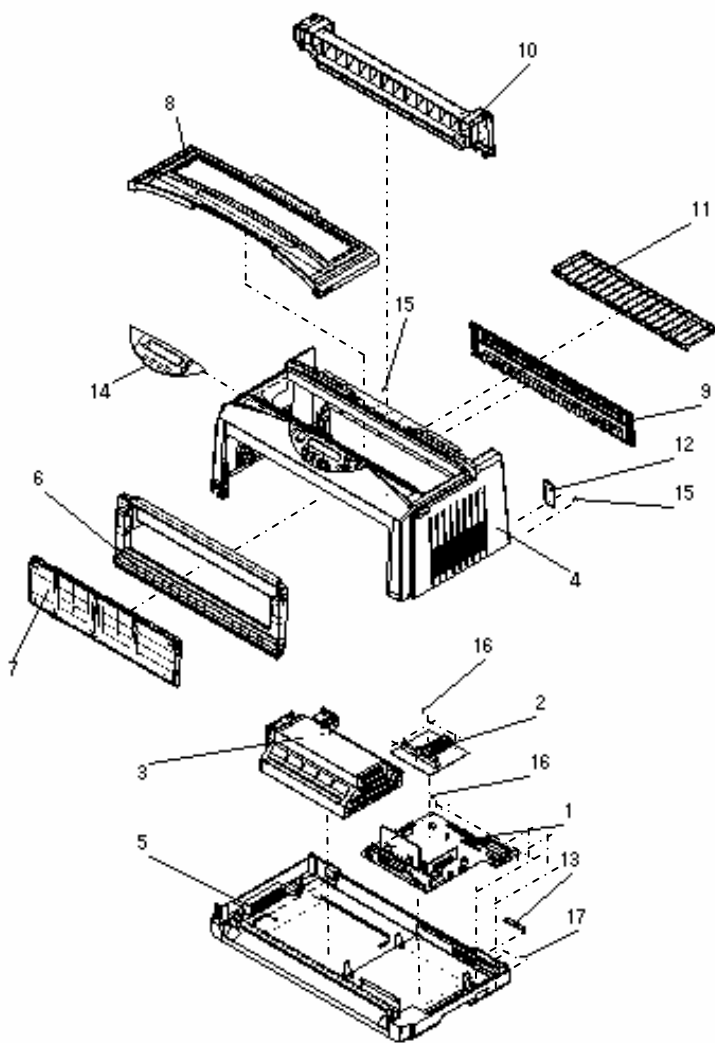


図 9-1 (1/2) Cover Unit、Card、Power Supply

参照番号	部品番号	部品名	個数
1-1	13N4599	Control Main Card [For 150CPS]	1
2	55P3400	Head Driver Card [For 150CPS]	1
3	55P3401	Power Supply Unit	1
4	55P3435	Cover Main ASM	1
5	55P3436	Cover Base ASM	1
6	55P3437	Cover - Front	1
7	55P3438	Paper Guide ASM	1
8	55P3439	Top Cover ASM	1
9	55P3440	Cover - Rear	1
10	55P3441	Cover - S	1
11	55P3442	Sheet - Stand	1
12	55P3443	Cap - N. B	1
13	55P3444	Cap - C	1
14	55P3445	Sheet - OP	1
15		Screw (M4 x 8 Bind)	2
16		Screw (M3 x 6 WSEMS)	7
17		Screw (M3 x 6 Bind)	2

図 9-1 (2/2) Cover Unit、Card、Power Supply

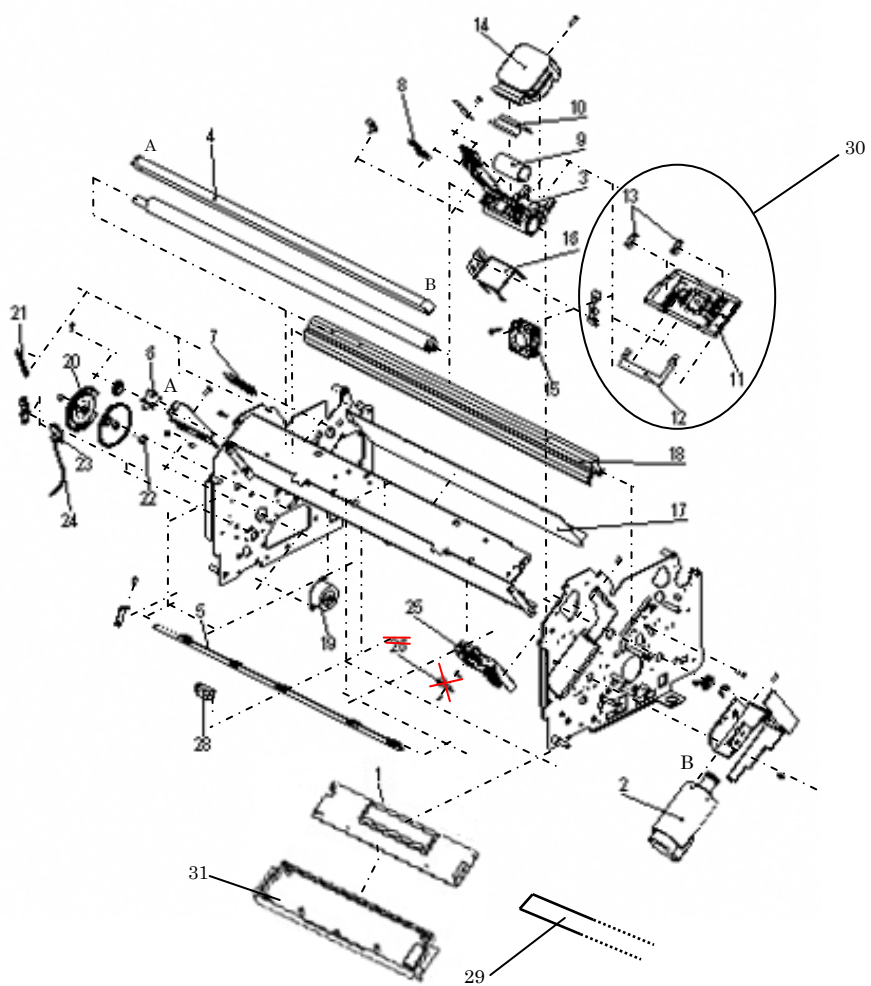


図 9-2 (1/2) Print Unit

参照番号	部品番号	部品名	個数
2-1	55P3403	Operator panel ASM	1
2	55P3404	Motor Carrier	1
3	55P3415	Carrier ASM	1
4	55P3409	Belt Carrier Motor	1
5	55P3456	Arm - S.R	1
6	55P3457	Pulley - Idler	1
7	55P3458	Spring - I.CM	1
8	55P3459	Holder - Rail	1
9	55P3460	Felt - Oil	1
10	55P3461	Cap - Oil	1
11	55P3402	Shield Ribbon ASM	1
12	55P3419	TOF Sensor	1
13	55P3462	Cap - T.M	1
14	55P3398	Print Head H- F1 [For 150 CPS]	1
15	55P3416	Head - Fan ASM	1
16	10R5015	Cable Head 150 ASM [For 150 CPS]	1
17	55P3465	Sheet - F. J	1
18	55P3413	Platen ASM	1
19	55P3407	Motor Gap	1
20	55P3466	Disk - T	1
21	55P3467	SPRG - G. A	1
22	55P3468	Spring - Encode	1
23	55P3423	Gap Sensor Board	1
24	55P3469	Cable Sensor Head Gap	1
25	55P3414	Ribbon Drive ASM	1
26			
27			
28	55P3417	Cut Sheet Sensor	1
29	10R5094	Operator Panel Cable	1
30	38R5080	Shield Ribbon UNIT	1
31	13N4661	OP - Box	1

図 9-2 (2/2) Print Unit

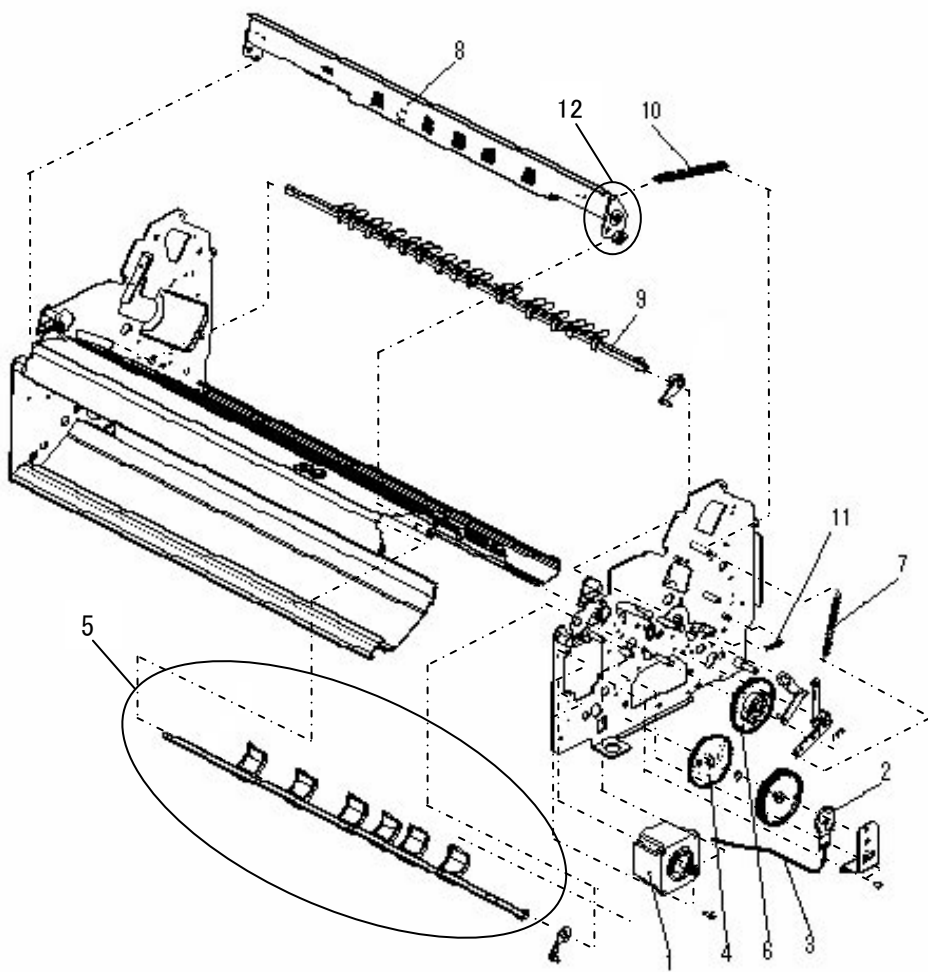


図 9-3 (1/2) Roller Control Unit

参照番号	部品番号	部品名	個数
3-1	55P3406	Roller Cam Motor	1
2	55P3424	Roller Sensor	1
3	55P3476	Cable Sensor Cam Position	1
4	55P3477	Cam - Gear Top	1
5	55P3478	Stopper - S ASM	1
6	55P3479	W cam - Gear	1
7	55P3480	Spring - C.F	1
8	55P3429	Roller Control Unit 3	1
9	55P3484	Roller Control Unit 4	1
10	55P3487	Spring - Top	1
11	55P3488	Spring - S.RA	1
12	13N4662	Gear - Unit 3	2

図 9-3 (2/2) Roller Control Unit

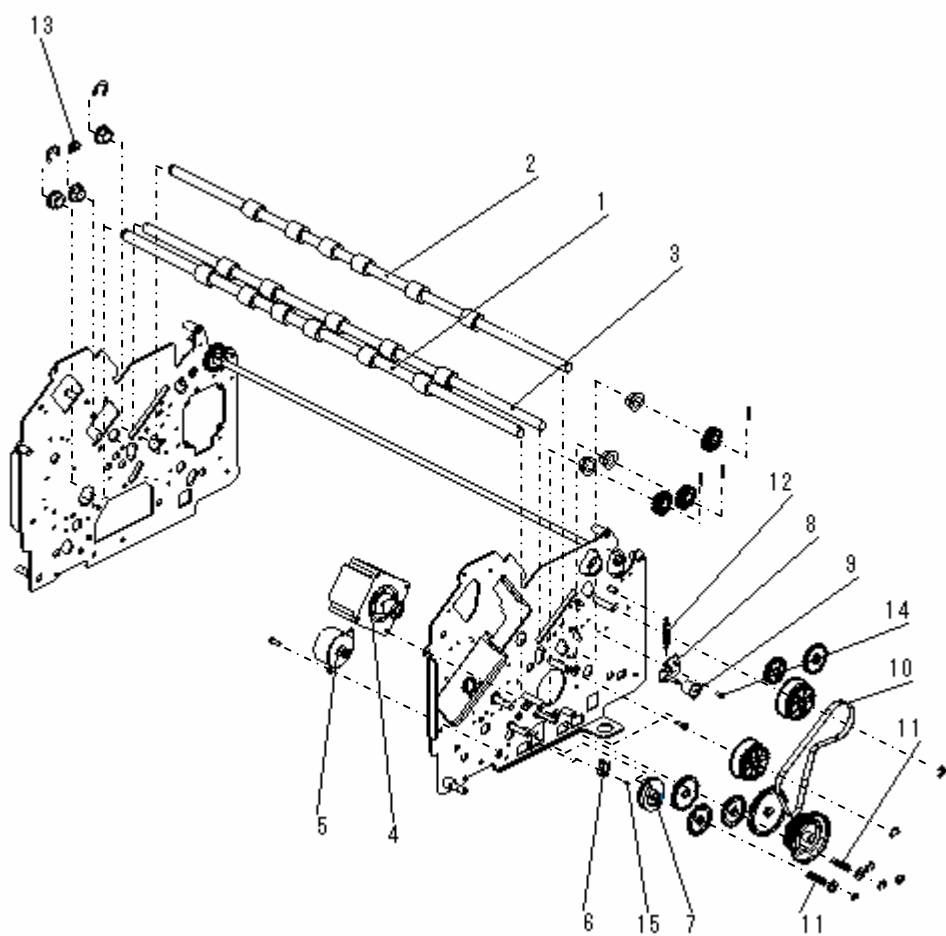


図 9-4 (1/2) Paper Feed Unit

参照番号	部品番号	部品名	個数
4-1	55P3434	Roller - P.F SH	1
2	55P3434	Roller - P.F SH	1
3	55P3427	Roller - P.F PI	1
4	55P3405	Motor P.F ASM	1
5	55P3408	P.F Mode Motor	1
6	55P3420	P.F Mode Switch	1
7	55P3472	Cam - Gear - Change	1
8	55P3473	Tension - ASM	1
9	55P3428	Roller - P.D	1
10	55P3410	Belt - P.F	1
11	55P3474	Spring - G.C.1	2
12	55P3475	Spring - B.T.2	1
13		Piers Ring	1
14		Screw (M3 x 8 S Tite)	1
15		Screw (M2.3 x 10 WSEMS)	1

図 9-4 (2/2) Paper Feed Unit

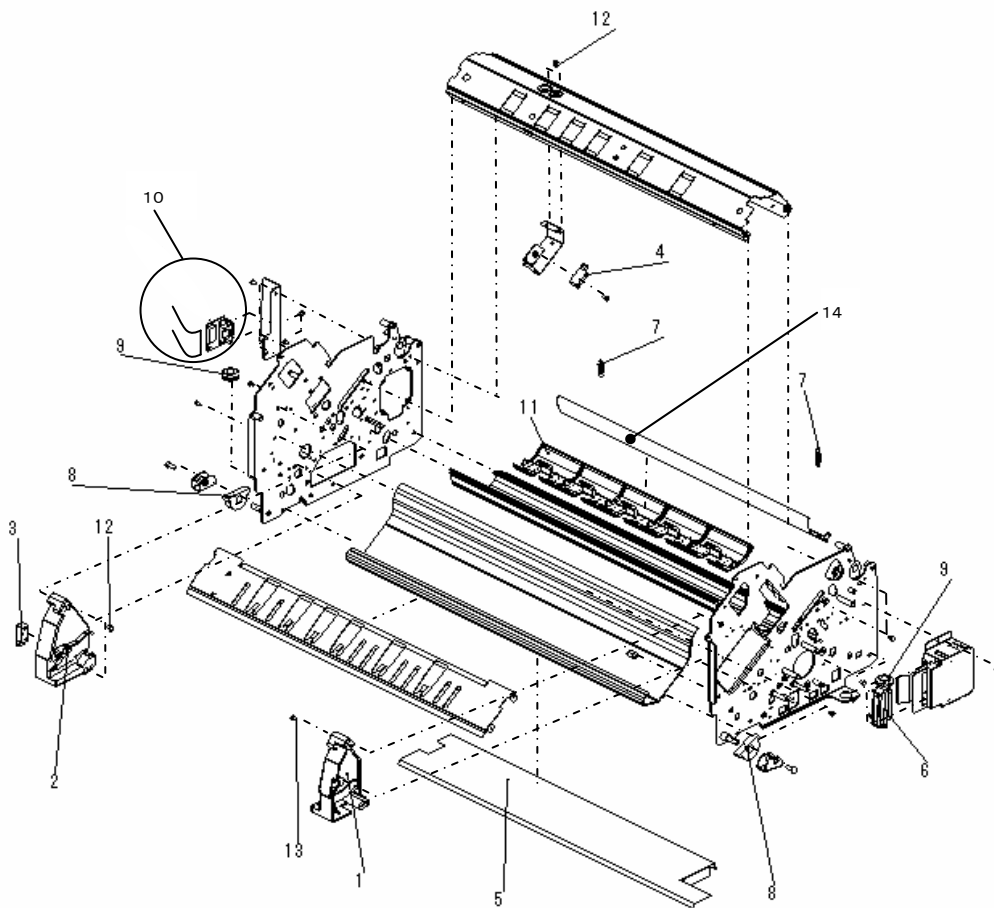


図 9-5 (1/2) Frame Unit

参照番号	部品番号	部品名	個数
5-1	55P3448	Cover - F - R	1
2	55P3449	Cover - F - L	1
3	55P3417	Cut Sheet Sensor *注	1
4	55P3418	ASF Sensor	1
5	55P3450	Sheet - Dust	1
6	55P3451	Cable Connector LAN Card	1
7	55P3452	Spring - G. PR	2
8	55P3453	Rubber - R. M	2
9	55P3454	Bush - M. F	2
10	55P4555	Cable Connector ASF	1
11	55P3463	Guide-R. U	5
12		Screw (M3 x 6 Bind)	2
13		Screw (M3 x 8 Bind S Tite)	4
14	38R5063	Guide-P. R ASM	1

*注 : Table Sensor は Cut Sheet Sensor を使用する (同一部品)

図 9-5 (2/2) Frame Unit

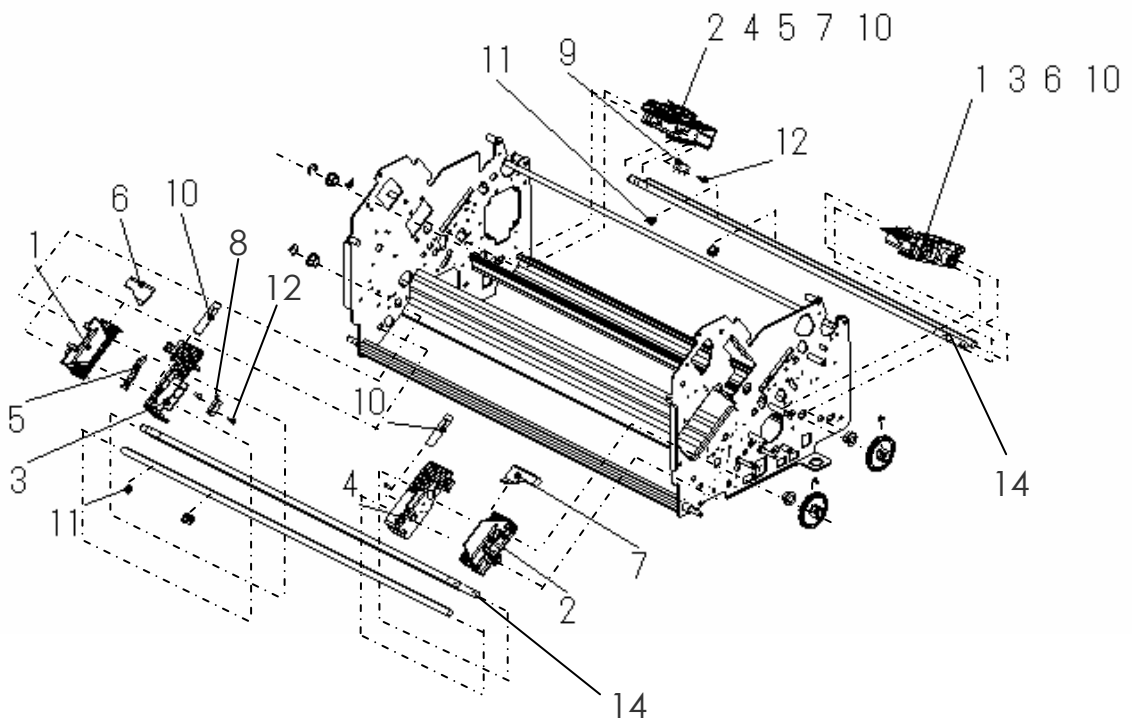


図 9-6 (1/2) Tractor Unit

参照番号	部品番号	部品名	個数
6-1	55P3425	Tractor L	2
2	55P3426	Tractor R	2
3	55P3496	Guide - P. S. L	2
4	55P3497	Guide - P. S. R	2
5	55P3498	Lever P. E	2
6	55P3499	Guide - P. U. L	2
7	55P3500	Guide - P. U. R	2
8	55P3421	EOF - F Switch	1
9	55P3422	EOF - R Switch	1
10	55P3501	Label - Care. TR	4
11		Piers Ring	2
12		Screw (M2 x 10 P Tite)	2
13	10R5056	Tractor R/L Kit *注	-
14	13N4592	Shaft - TR. D	1

*注、Tractor L/R と Guide-P. S. L/R と組合せた Tractor R/L Kit

図 9-6 (2/2) Tractor Unit

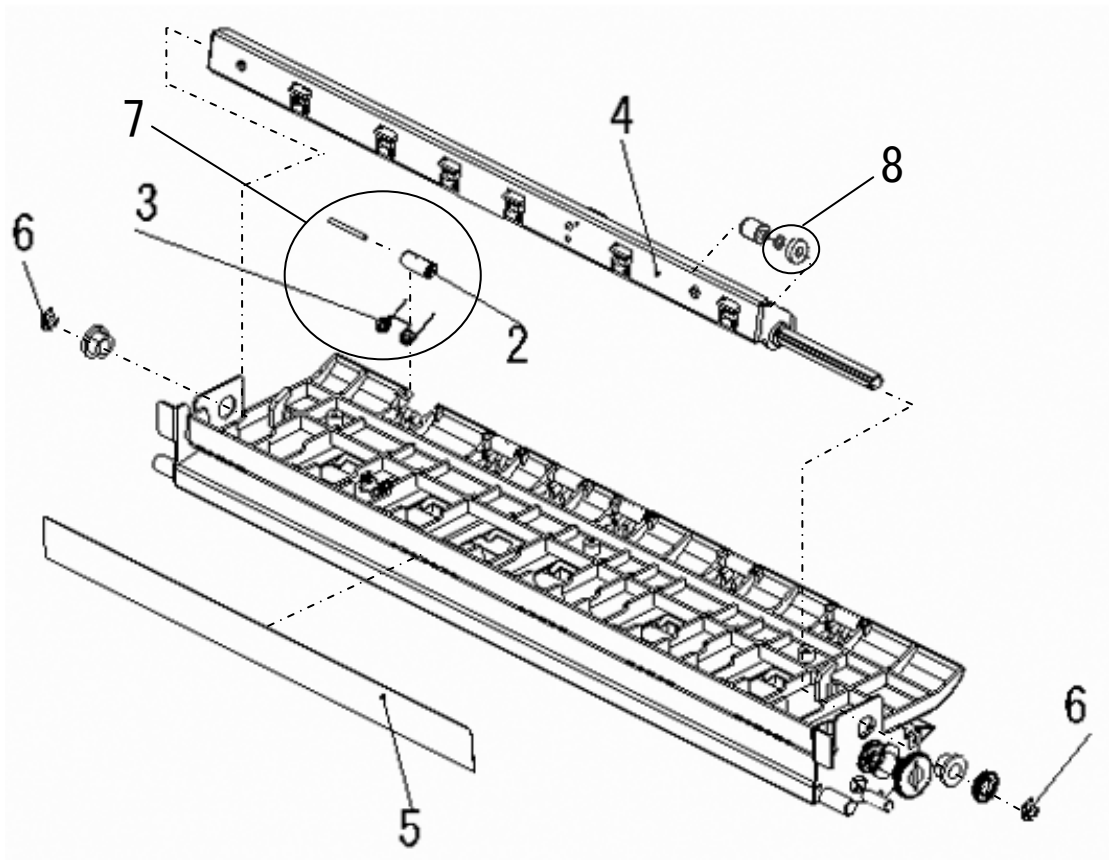


図 9-7 (1/2) Slip Sheet Unit

参照番号	部品番号	部品名	個数
7-1	55P3491	Slip Sheet Unit	1
2	55P3493	Roller - S.P	6
3	55P3494	Spring - S.R	6
4	55P3492	Pick Roller ASM	1
5	55P3495	Brush - S	1
6		Piers Ring	2
7	13N4663	Roller Set - Slip	1
8	13N4664	Roller ASM - Pick	1

図 9-7 (2/2) Slip Sheet Unit

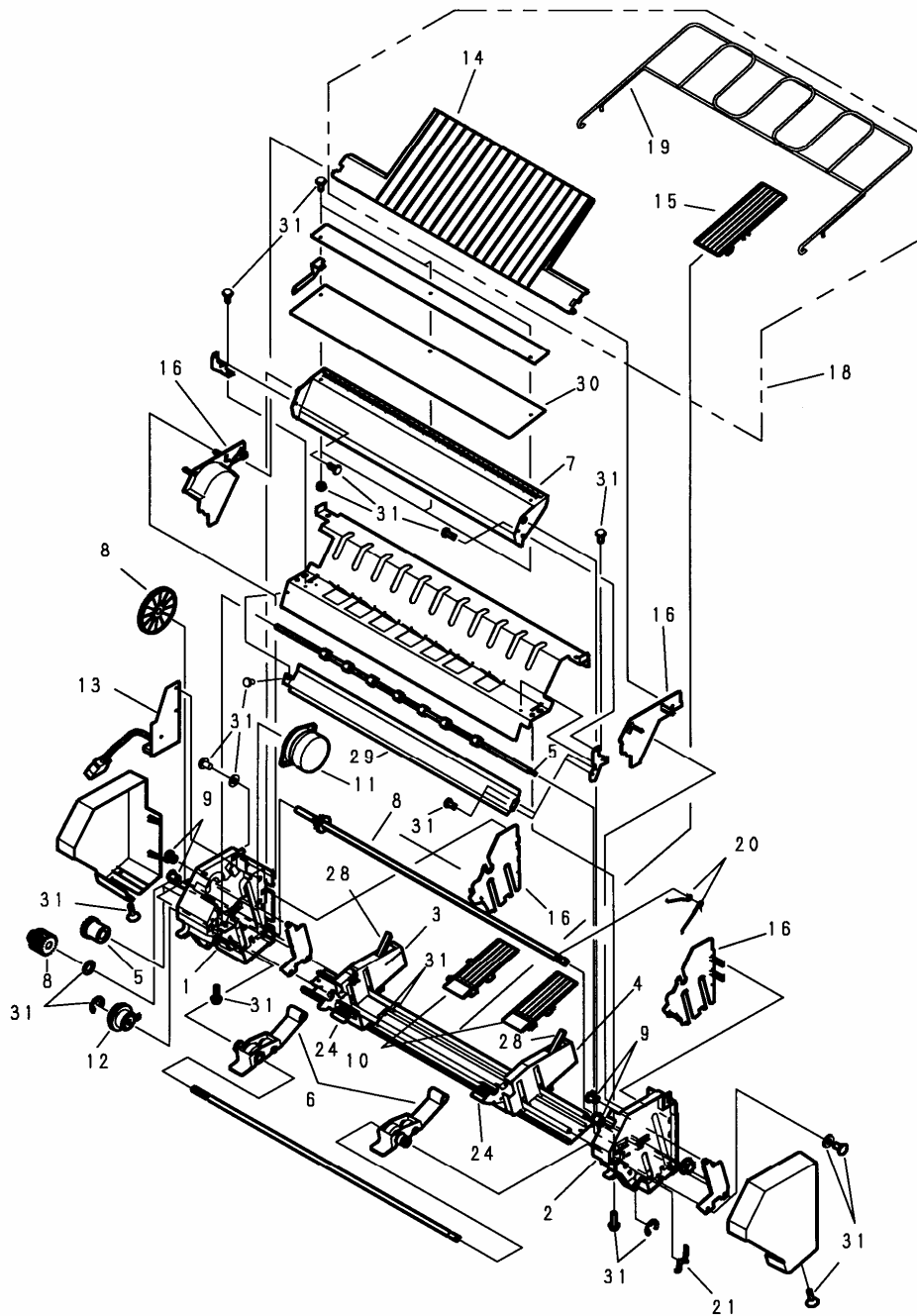


図 9-8 (1/2) ASF

参照番号	部品番号	部品名	個数
8	55P1506	ASF ASM	1
8-1	55P1507	・ Side Frame ASM-Left	1
2	55P1508	・ Side Frame ASM-Right	1
3	55P1509	・ Hopper Guide ASM-Left	1
4	55P1510	・ Hopper Guide ASM-Right	1
5	06G5859	・ Stacker Roll ASM	1
6	07K7187	・ Feed Roll ASM Group	1
7	55P1512	・ Guide Plate ASM	1
8	35G4636	・ Lift Shaft ASM	1
9	23F3427	・ Slider	4
10	06G5850	・ Hopper Plate Group	1
11	23F3431	・ Motor ASM	1
12	35G4639	・ Clutch ASM	1
13	55P1501	・ Card ASM	1
14	23F3448	・ Stacker Plate	1
15	06G5851	・ Hopper Support	1
16	55P1513	・ Side Plate ASM	1
18	55P1514	・ ASF Ship Group	1
19	06G5852	・ Tray Hopper	1
20	06G5853	・ Spring-ESD	1
21	06G5854	・ Spring-Frame Ground	1
24	06G5858	・ Separator ASM Group	1
28	07K7188	・ Stopper-Hopper	1
29	55P1511	・ Paper Guide ASM	1
30	55P1515	・ Mylar-Cover	1
31	55P1516	・ Screw Kit	

図 9-8 (2/2) ASF