

[Home](#)-immediately access 800+ free online publications. [Download](#) CD3WD (680 Megabytes) and distribute it to the 3rd World. CD3WD is a 3rd World Development private-sector initiative, mastered by Software Developer [Alex Weir](#) and hosted by [GNUveau_Networks](#) (From globally distributed organizations, to supercomputers, to a small home server, if it's Linux, we know it.)

[home.cd3wd.ar.cn.de.en.es.fr.id.it.ph.po.ru.sw](#)

Low-cost Windmill
for Developing Nations
multi-vane fan type

Construction details for a low cost windmill are presented. The windmill produces one horsepower in a wind of 6.4 miles/sec (14.3 mph), or two horsepower in a wind of 8.1 miles/sec (18.0 mph). The windmill uses the rear axle and differential of a small car. Other parts are made from sheetmetal, pipe, steel ribbon, rod, angle iron, or channel, welded or bolted together, and wood. No precision work or machining is required, and the design can be adapted to fit different materials or construction skills. The rotor blades feather automatically in high winds to prevent damage. A full-scale prototype has been built and tested successfully.

NOTE: The University of California, Dr. Bossel, W. Delameter and P. Miller retain proprietary rights to commercial exploitation of inventions disclosed in the present report.

VITA, Inc.

First printing 1970

Reprints: APR 1976

AUG 1976

NOV 1976

FEB 1977

OCT 1977

INTRODUCTION

The VITA windmill (Fig. I1) is a complete aerodynamic and

08p05.gif (445x594)

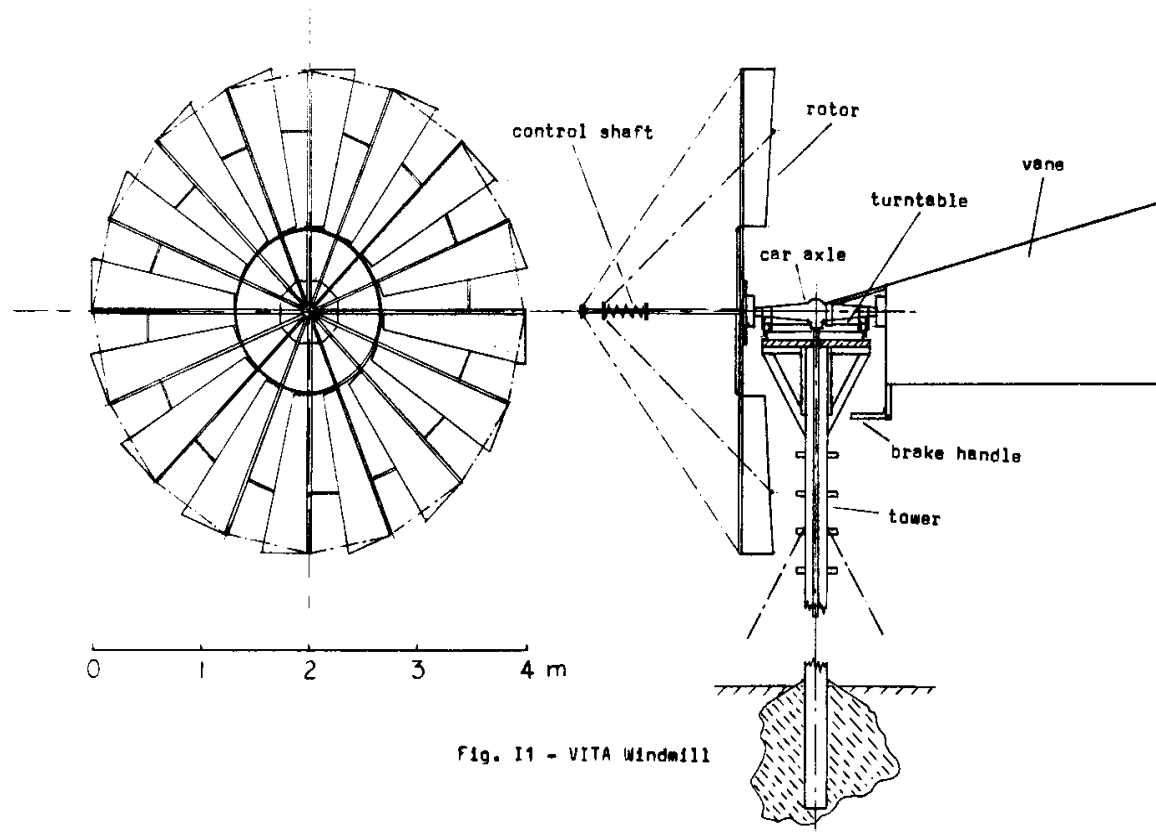


Fig. 11 - VITA Windmill

structural redesign of an earlier prototype designed, built and tested by W. Delameter and P. Miller under the supervision of H. Bossel of the Mechanical Engineering Department. The fullscale prototype proved the soundness of the rotor design, overloading control (blade feathering), and directional control (vane).

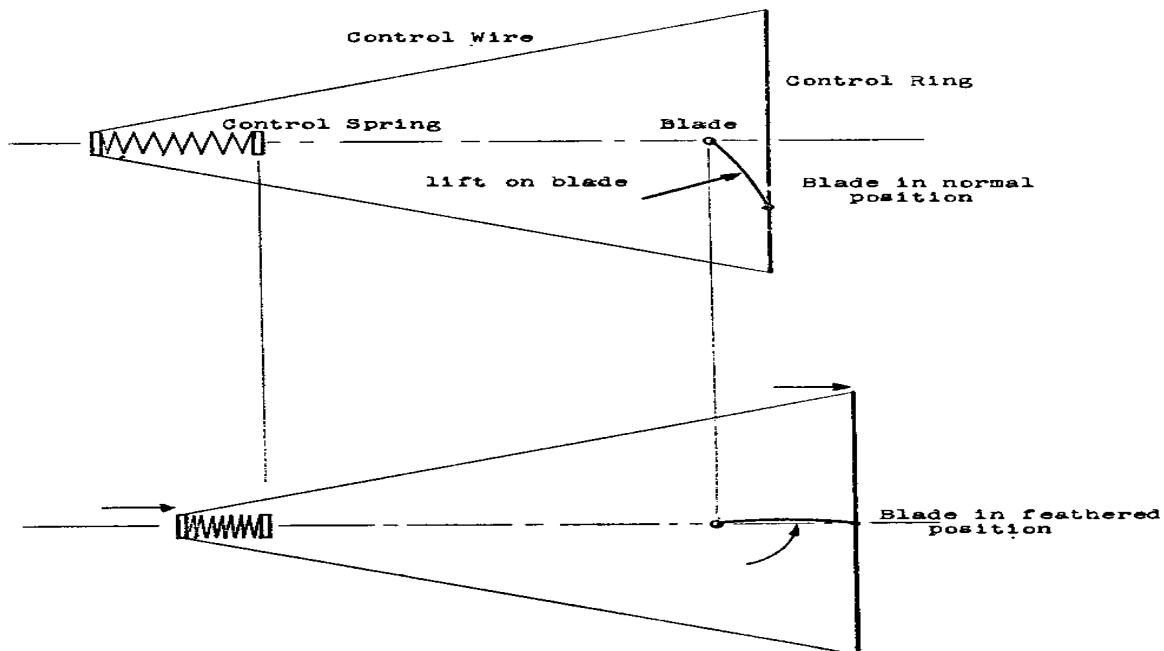
The VITA windmill consists of five major components: the transmission, the rotor with overloading control (feathering), the vane for directional control, the turntable (supporting rotor,

transmission, and vane), and the platform and tower structure.

The rotor is constructed from steel rod, support wires, and sheet metal blades hinged to the spokes. A simple spring-loaded mechanism allows the blades to feather in high winds or when overloaded. The mechanism is explained in Fig. I2. The rotor

08p06z.gif (450x600)

Sketch of Blade Feathering Mechanism



When lift on blades becomes excessive, control spring compresses and blades feather so that blade angle is steeper, thus slowing the rotor. When windmill is stopped, blades feather parallel to wind. Control ring forces all blades to feather evenly.

Fig. I2

center plate is bolted to the brake drum of the rear axle of a small car. The wheelbrake stops the rotor when it is not in use. The other wheel is permanently locked, resulting in a transmission ratio of about 1:4 from the horizontal to the vertical. The rear axle is free to swivel about the vertical on a turntable. A vane, which is set at a small angle to counteract the torque transmitted vertically, keeps the rotor pointing into the wind. The whole assembly is mounted on a small platform on a single-beam tower.

Detailed blueprints are not presented in this report, since the design will differ with the materials, parts, and skills the builder finds at his disposal. He should understand that most dimensions and details (except those stated explicitly) are not critical, and can be adapted to suit the needs. There are a few exceptions in particular. First, number, shape, and angles of the blades should remain unchanged to obtain the specified performance. Second, the control spring should come close to the stated specifications in order to adequately protect the rotor from possible destruction. Third, vane area, vane arm from the vertical axis, and vane angle should remain as given in the report for the same rotor and transmission ratio. More generally, the product (vane area) x (vane arm) x (vane angle) should remain constant, where the vane angle should always be less than about ten degrees. This product must remain proportional to the torque transmitted; i.e., it should be doubled if a transmission ratio of 1:2 instead of 1:4 is used for the same rotor.

A few possible modifications of the basic design might be of

interest.

Automobile rear axles offer a rather wide choice of transmission ratios depending on how they are mounted, and whether one wheel drum or the slip gears are locked or removed. This range is from approximately 1:4 from rotor to vertical shaft if the rotor is mounted on the wheel drum, to 4:1 if the rotor is mounted on the drive shaft side. In the first case, a second rear axle and/or an automobile gear box could be used to further increase the rotational speed and drive a centrifugal pump, circular saw, electric generator, feed mill and the like. In the second case, the slow rotation would permit driving directly a reciprocating pump, or other machinery requiring slow rotation. In that case, the torque in the vertical shaft cannot be counteracted by the aerodynamic torque of a vane of reasonable size and the rotor must either be mounted rigidly in the direction of prevailing winds, or turned manually and locked, or turned by a nonreversible control mechanism (which would greatly increase the complexity). Manual turning should also be considered for the case of lower torque and higher shaft speed of rotation. It would eliminate the vane and simplify the central bearing problem, since less precision and some friction would be permitted. Specifications for a smaller 2 meter windmill, and suggestions for electric power generation are provided in the Appendix.

PERFORMANCE DATA

Performance at sea level

Windspeed

m/sec 4 6 8 10

km/h 14.4 21.6 28.8 36.0

mph 9.0 13.4 17.9 22.4

Rotor speed

revolutions per 21.0 31.5 42.0 52.5
minute (rpm)

Rotor torque

mkgf 8.8 19.8 35.2 55.0

ft lb 63.6 143.2 255.0 398.0

Starting torque

mkgf 15.3 34.5 61.4 96.0

ft lb 111.0 250.0 445.0 695.0

Power

mkgf/sec 18.1 61.1 145.0 283.0

kw 0.177 0.60 1.42 2.77

hp 0.24 .81 1.91 3.73

Altitude effects

Altitude

m 0 1000 2000 3000 4000

ft 0 3280 6560 9840 13,100

percentage reduction
of power and torque

% 0 9 18 26 33

(rotor rpm unaffected)

Feathering Information

For control spring of spring constant 1.5kgf/cm precompressed
to 13.5 kgf:

Rotor braked: Blades begin to feather at a wind speed V of
6 m/sec. Blades fully feathered at $V = 10$ m/sec.

Rotor running under load: Slades begin to feather at $V = 8$ m/sec.
Blades fully feathered (and rotor stopped) at $V = 12.5$ m/sec.

Rotor running free: Little or no feathering. Rotor speed will increase with wind speed, and damage is likely. Always brake rotor when not running under load.

TOOLS

Protractor (to measure angles)

Hack saw

Welder (gas or electric)

Sheet metal shears

Steel drills (approximately 3 to 30 mm)

Hammer

Pliers

Adjustable wrenches, or set of wrenches

General Notes:

All sheet metal, nuts, bolts, wires, nails should be gaivanized, if available.

All nuts must be secured by using spring washers, lock washers, or a second nut tightened against the first.

CONVERSIONS

1 m = 100 cm = 1000 mm = 3.28 ft = 39.4 in

1 in = 25.4 mm

1 kgf = 2.2 lbf

1 m/sec = 3.6 km/h = 2.24 mph

1 kw = 1.34 hp

BIBLIOGRAPHY

Hutter, U., "Windkraftmaschinen," in Hutte, Maschinenbau, Teil A, 28. Aufl., p. 1030 - 1044, Ernst, Berlin, 1954.

United Nations, Proceedings of the United Nations Conference on New Sources of Energy, Volume 7, Wind Power, United Nations Publication Sales No: 63.I.41, New York, 1964.

W. Delameter, R. Sprankle, Park H. Miller III, Windmill and Waterpump for Developing Nations. Mechanical Engineering Dept., University of California, Santa Barbara, Calif., June 1969.

TRANSMISSION

The present design uses a rigid rear axle and differential (from a small car) with mechanical brakes. Other car axles can be used with corresponding modifications. If the wheels have hydraulic brakes, use the master brake cylinder and other components from the car brake system to build a rotor brake system.

Lock permanently the wheel drum on which the vane is to

be mounted, by either locking the brake completely and permanently, or by blocking the slip gear. In most cars the rotational speed of the drive shaft will then be approximately four times higher than that of the rotor mounted on the wheel drum.

The drive shaft and the two universal joints are used to transmit the rotor power to the driven machinery (see Fig. A1).

08p09a.gif (600x600)

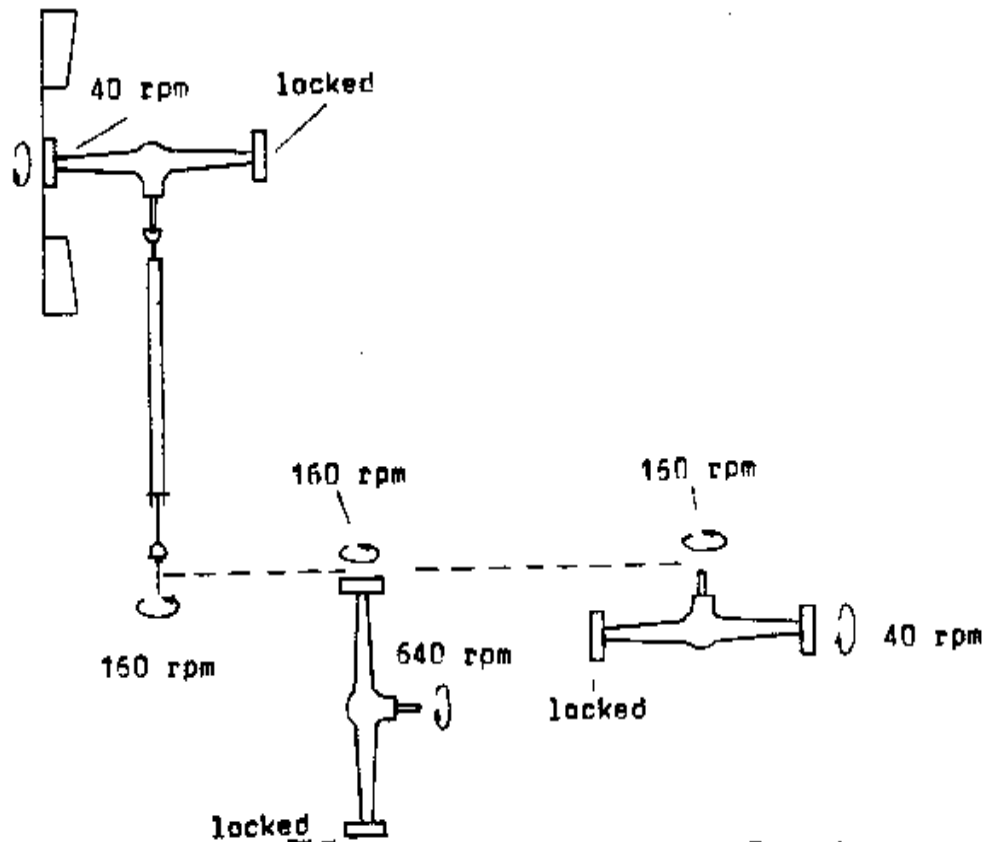


Fig. A1

The drive shaft can be lengthened by using pipe of approximately 20 to 40 mm outer diameter. Note: Permit some axial motion of the drive shaft to allow for thermal expansion and use shear pin

to prevent damage (see Fig. A2).

08p09b.gif (486x486)

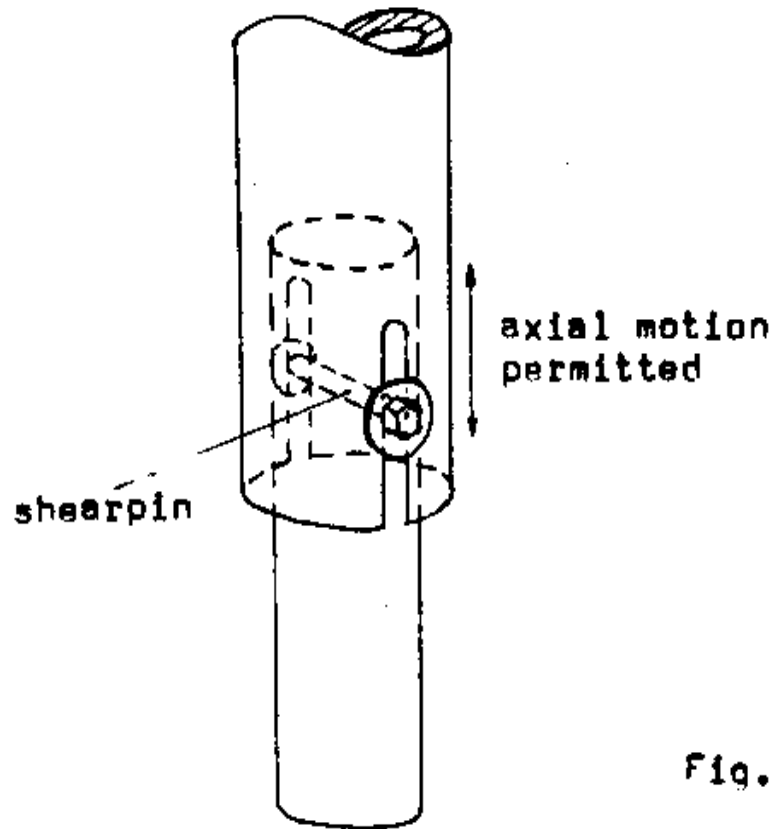


Fig. A2

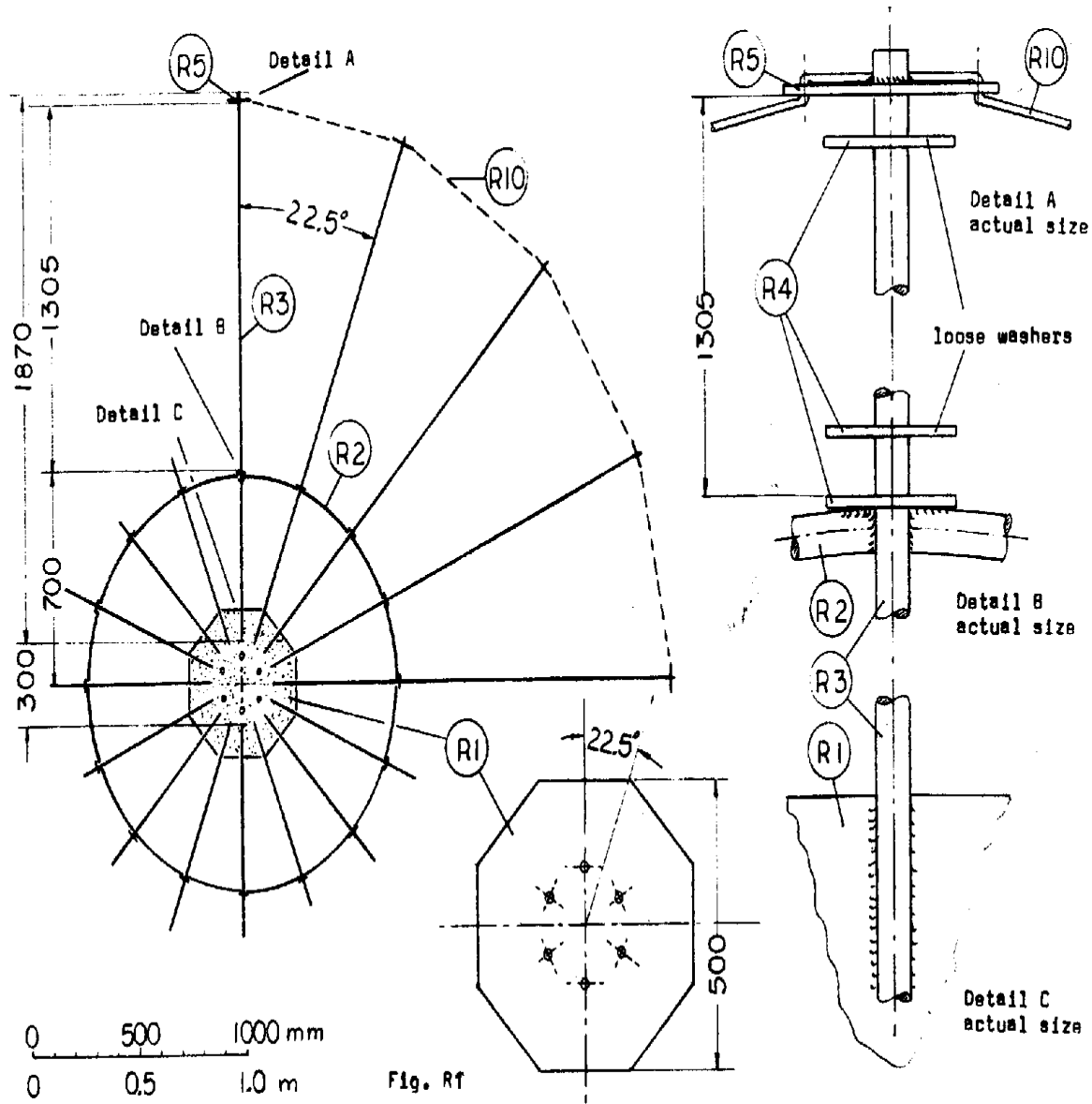
Various possibilities of transmissions using a second automobile rear axle and/or automobile transmission are shown in Fig. A1.

ROTOR

Part

number Quantity Remarks (see Figs. R1 - R7)

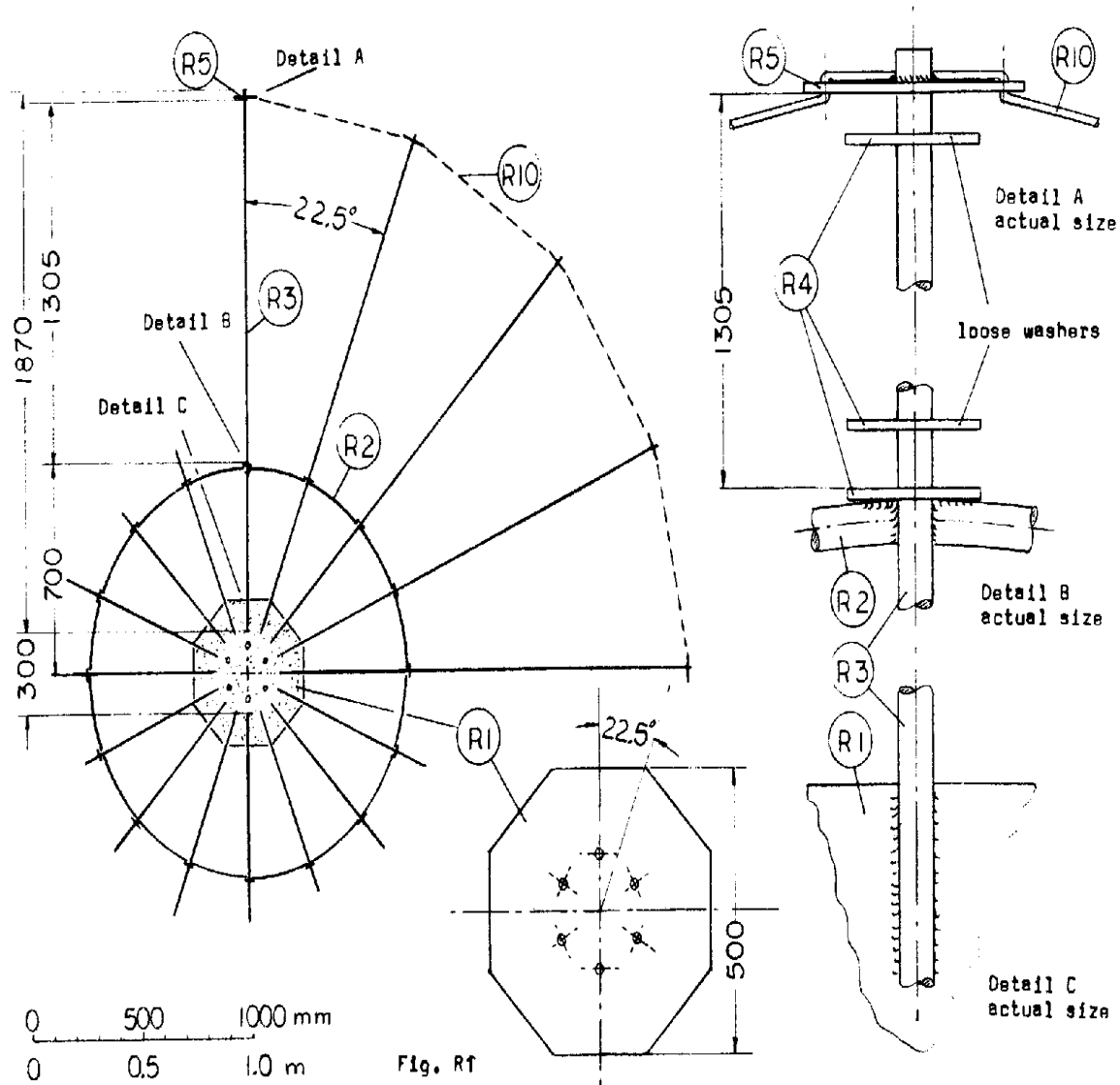
08p120.gif (600x600)



R1 1 Steel plate 0.5m x 0.5m, approximately 5 mm thick.
 For mounting on axle, drill same drill pattern as

required for rear wheels (Fig. R1).

08p12.gif (600x600)



R2 1 Steel rod (same as for spokes), 4.35m long, approximately 6 to 8 mm diameter. Bend into

**circle of 1.39m outer diameter, weld ends together
(Fig. R2)**

08p13.gif (600x600)

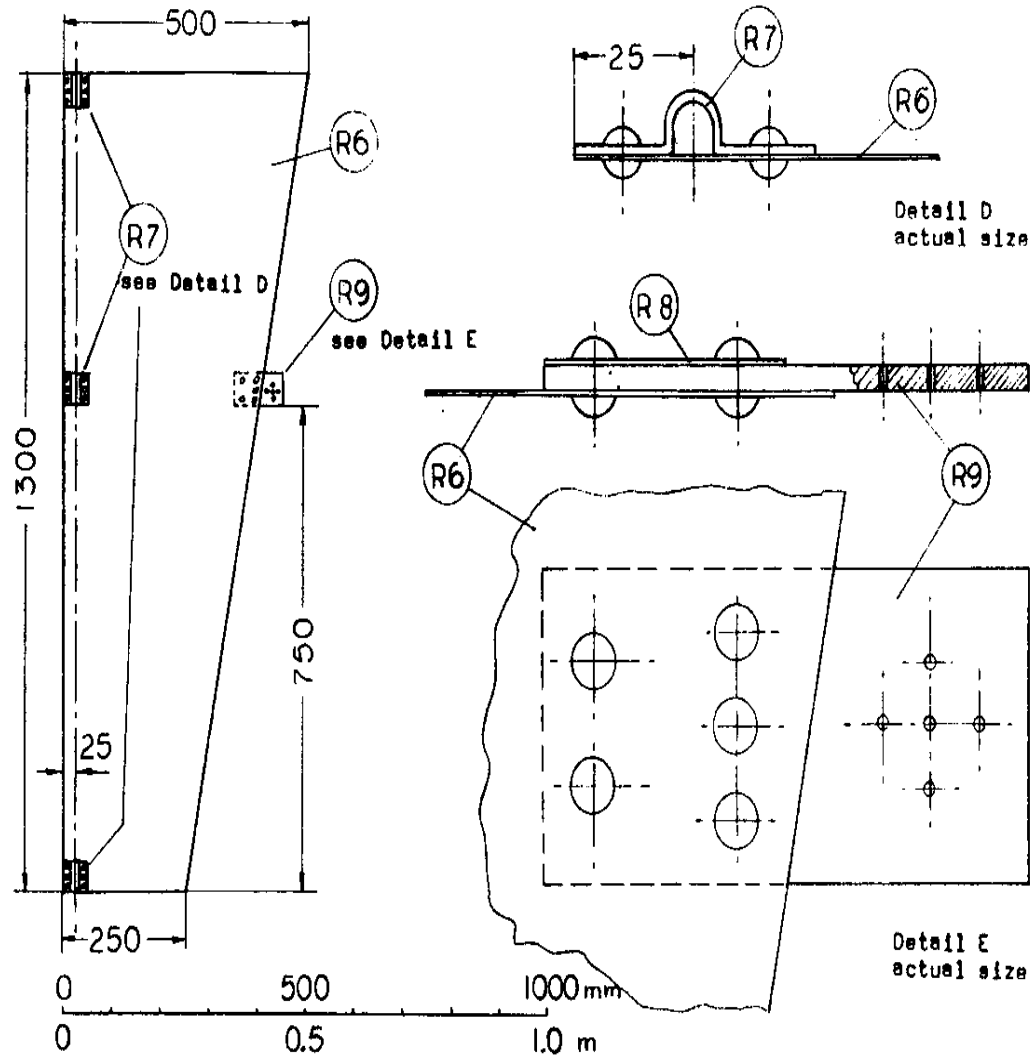


Fig. R2

R3 16 Round steel rods for spokes 1.87m long, approximately 6 to 8 mm diameter (Fig. R1).

R4 48 Washers to fit loosely on spokes, approximately 2-3mm thick, 30mm outer diameter. Note: washers can be square and home-made from sheet metal.

R5 16 Sheet metal strips approximately 50mm x 70mm 2-3mm thick. Drill one centerhole to fit on spokes (R3) and three holes for wire (R10) and rigging wire (R13) (Fig. R1, Fig. R4).

08p15a.gif (486x486)

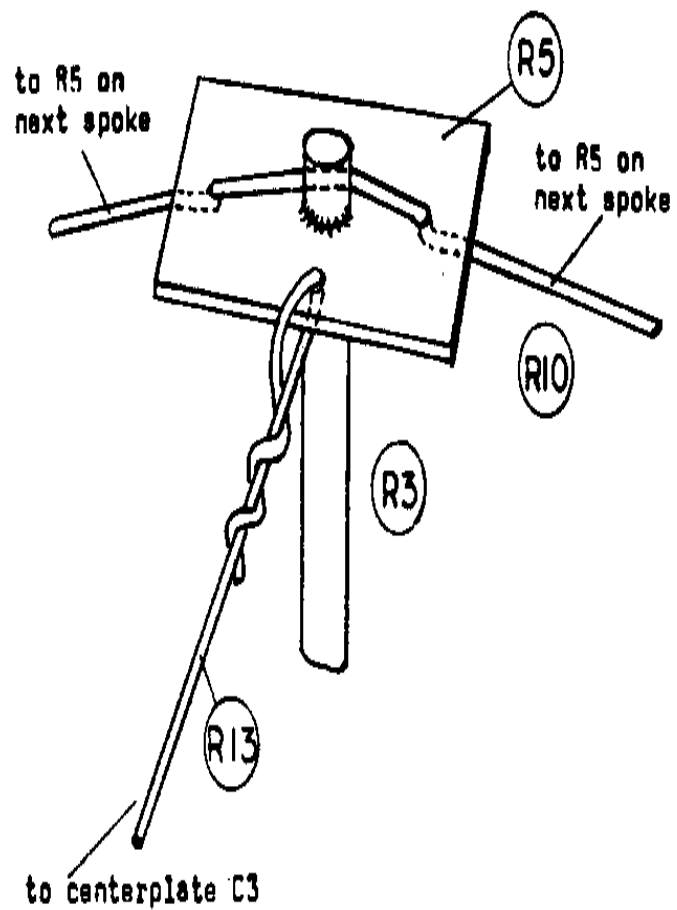


Fig. R4

R6 16 Galvanized sheet metal blades, made from 8 pieces 1.3m x 0.75m, approximately 0.5mm thick (Fig. R2).

08p13.gif (600x600)

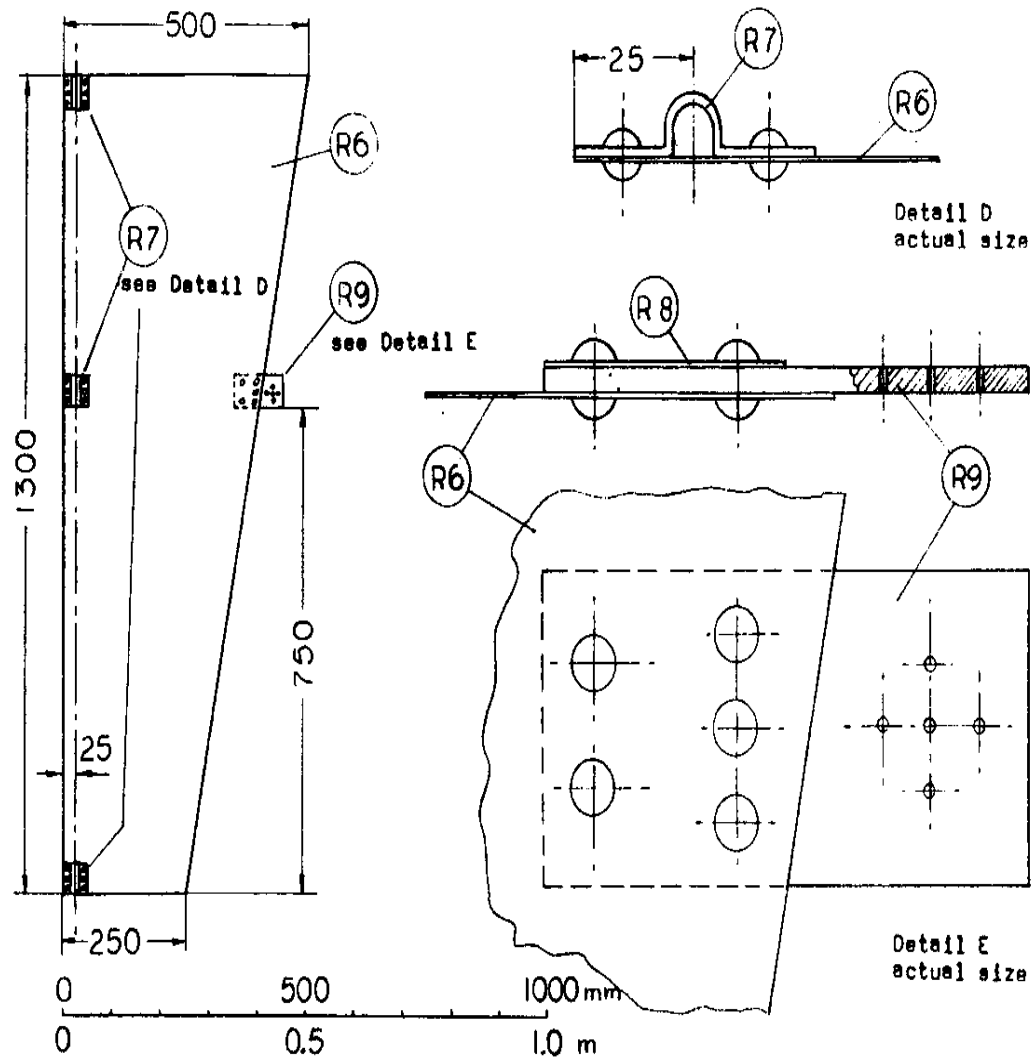


Fig. R2

**R7 48 Sheet metal strips, approximately 50mm x 70mm;
1.5 - 2mm thick. Bend to shape shown (Fig. R2).**

R8 16 Sheet metal strips, approximately 50mm x 50mm; same material as vanes (Fig. R2).

R9 16 Rubber strips, approximately 50mm x 100mm, made from side walls of used car tire Fig. R2).

R10 1 Steel wire or cable, 26m long, 2 - 3 mm diameter.

R11 1 Steel wire or cable, 6 m long, 2 - 3 mm diameter.

R12 8 Steel wire or cable, 2.5m long, 2 - 3 mm diameter.

R13 16 Steel wire or cable, 3 m long, 2 - 3 mm diameter.

Rivets or small nuts and bolts to fasten hinges and rubber strips on vane.

CONSTRUCTION OF ROTOR

Prepare parts (R1) - (R10).

Make the blade bending rig (Fig. R3). Bend blades (R6) into

08p14.gif (600x600)

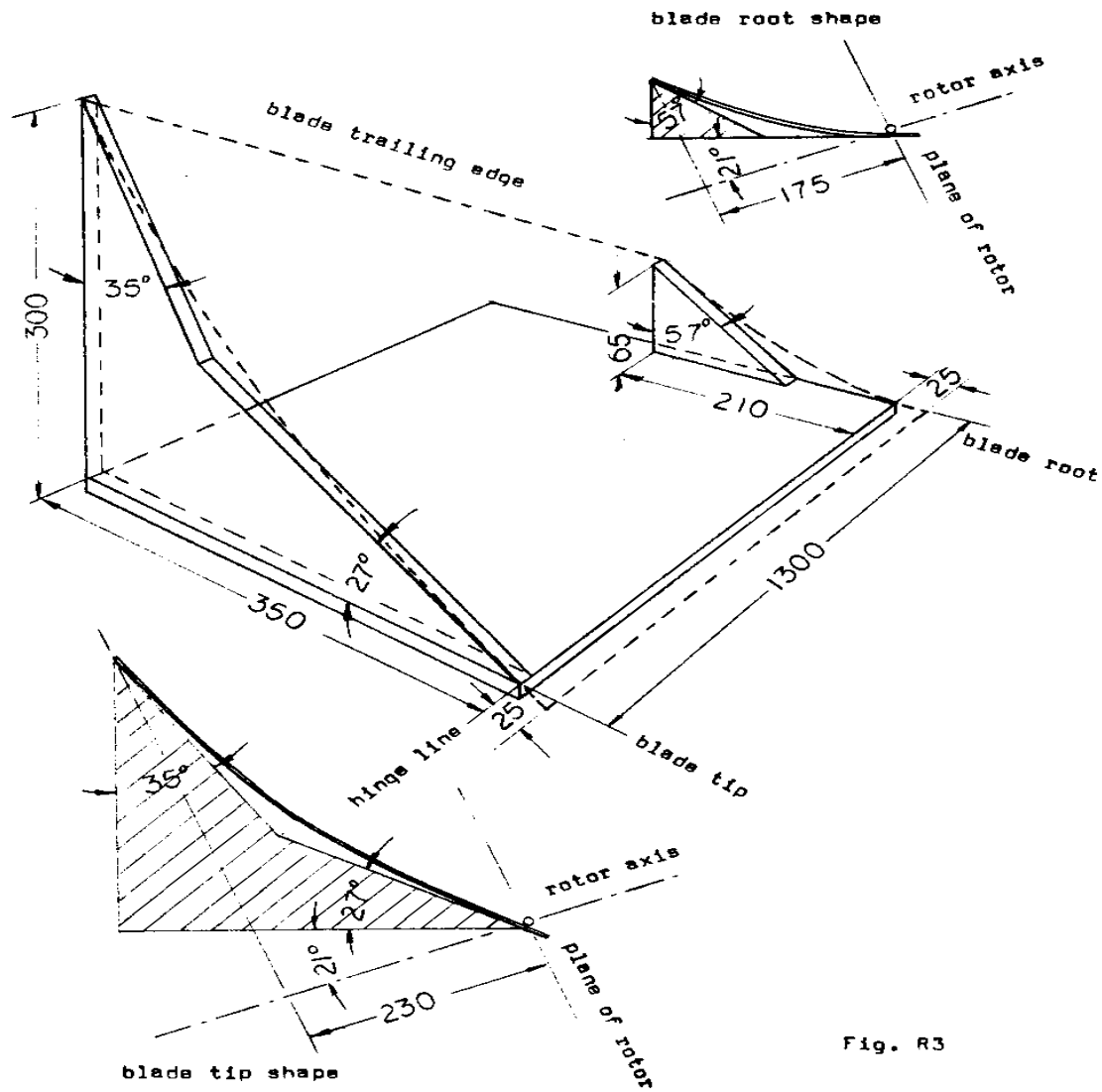


Fig. R3

correct shape (see Fig. R3). Hint: Use rollers, or bend by hand over piece of pipe. Take care that hinge line remains straight.

Rivet or bolt hinges (R7) to vanes (Fig. R2). Very important: make sure hinges line up exactly.

Rivet or bolt rubber strips (R9) between blade (R6) and washer plate (R8) (Fig. R2, Fig. R6).

08p15c.gif (486x486)

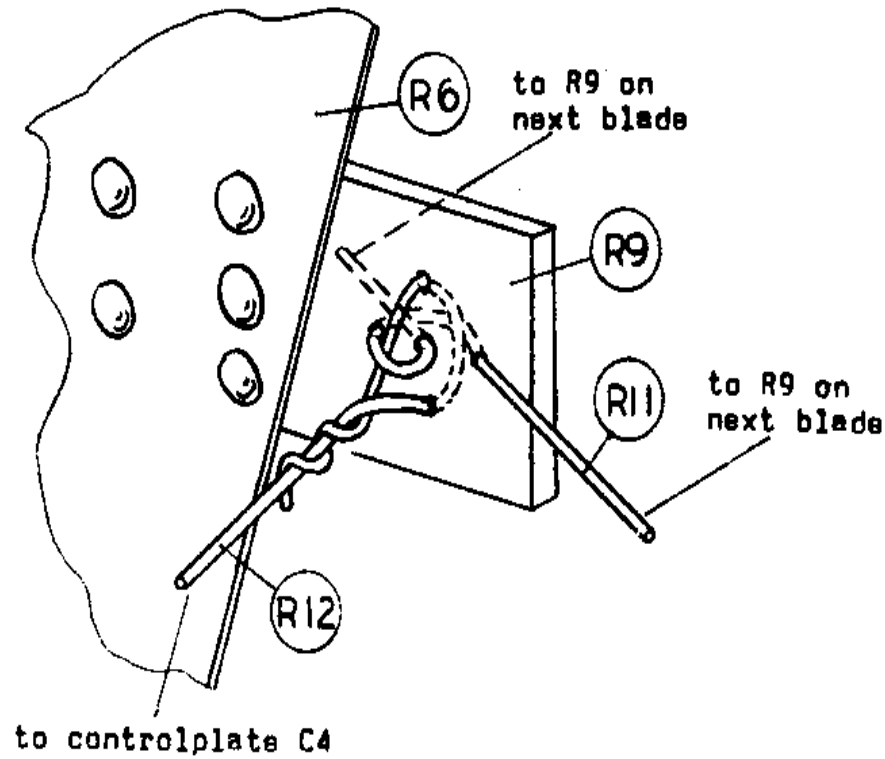


Fig. R6

Weld spokes (R3) to centerplate (R1) (Fig. R1).

Weld ring (R2) to spokes at correct (22.5 [degrees]) intervals (Fig. R1).

Weld 16 washers (R4) to intersections of ring (R2) and spokes (R3) (Fig. R1, Fig. R5).

08p15b.gif (353x353)

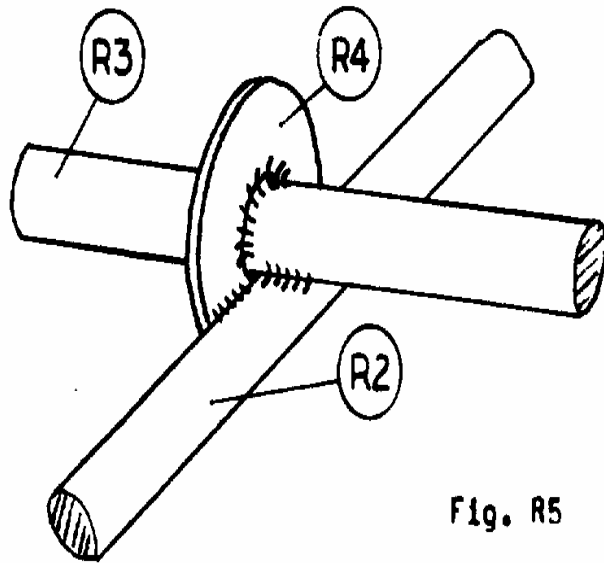


Fig. R5

Slide one washer (R4) on each spoke.

Grease spokes at hinge locations.

Slide blades on spokes with the wider blade tip facing outward.
Very important: All blades must rotate freely. If this is not the case, adjust blade shape, spokes, or hinge locations.

Slide one washer (R4) on each spoke.

Weld parts (R5) onto tips of spokes, giving about 1 mm play (blade movement in the direction of the spoke) (Fig. R1, Fig. R4).

08p15a.gif (437x437)

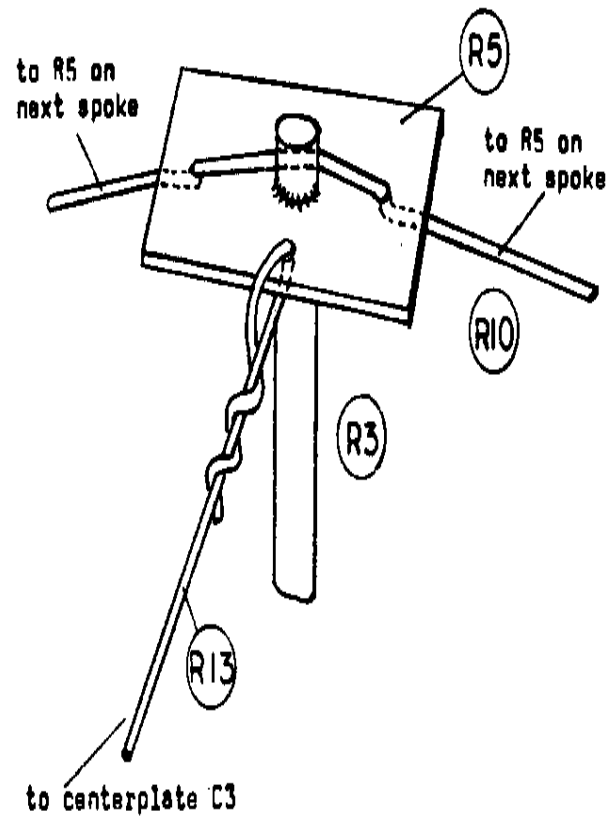


Fig. R4

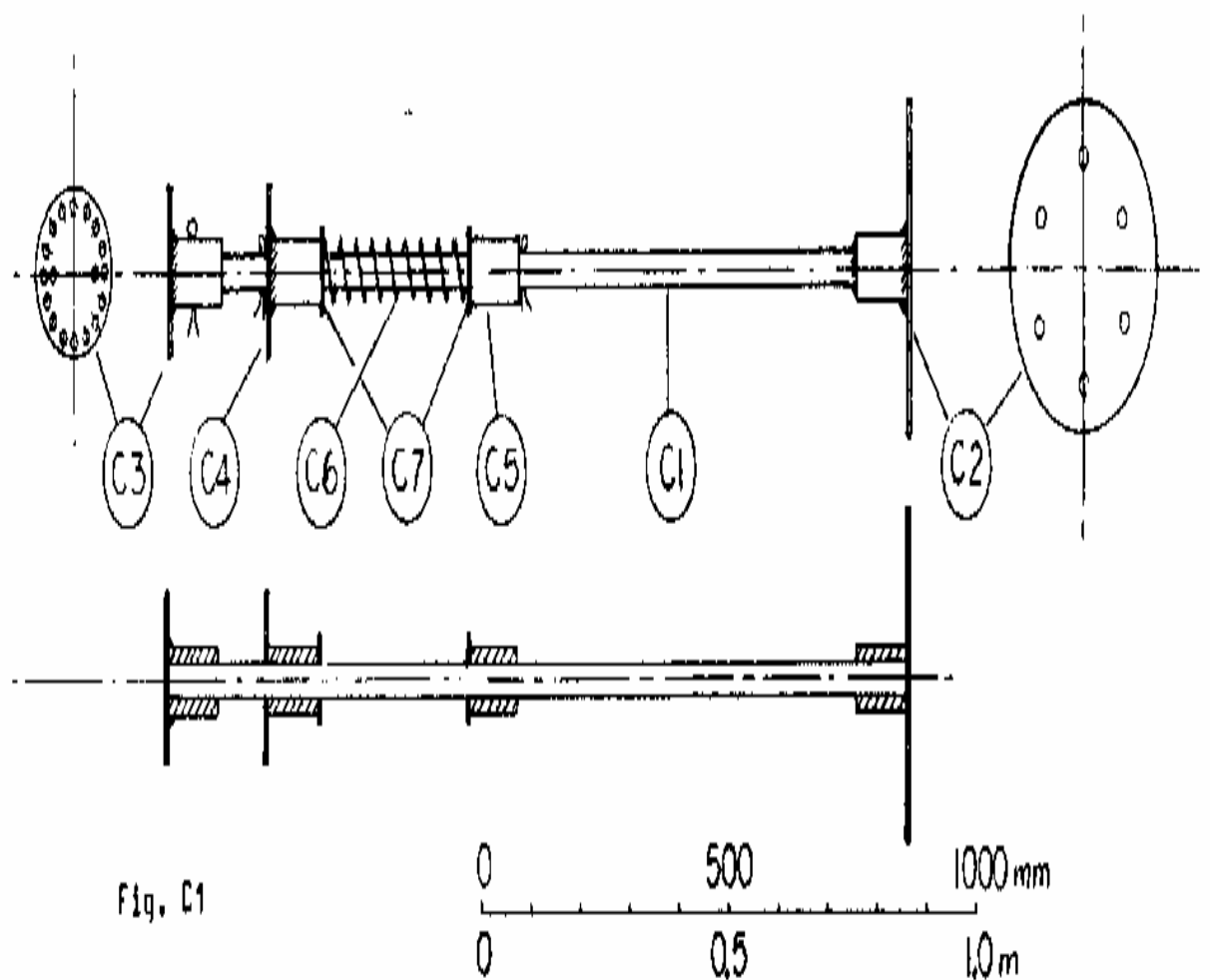
Thread wire or cable (R10) through holes of parts (R5) and align spokes at 22.5 [degrees] intervals (Fig. R4). After completing circle, stretch taut and connect both ends.

CONTROL SHAFT

Part

number Quantity Remarks (See Figs. C1 - C3)

08p18a0.gif (600x600)



- C1 1 Steel pipe, 25 to 30 mm outer diameter, 1.5m long.
 C2 1 Inner diameter same as outer diameter of part (C1).
 Use piece of pipe (also for C3, C4, C5).

Drill end plate for wheel bolts (same drill pattern as part (R1)).

C3 1 Inner diameter same as part (C2). Plate has 16 evenly spaced holes for 16 support wires, and 2 holes for restraining rods (C8).

C4 1 Similar to part (C3), except plate has central hole and part slides freely on part (C1).
8 evenly spaced holes for 8 control wires, and
2 holes for restraining rods (C8).

C5 1 Part must slide on part (C1).

C6 1 Compression spring, approximately 330 mm long.
Spring constant must be approximately 1.5 kgf/cm
(i.e. a compression of 1 cm for a weight of 1.5 kg).

Note: Make spring from 4 mm steel wire according
to Fig. C2, if suitable
08p18b.gif (353x353)

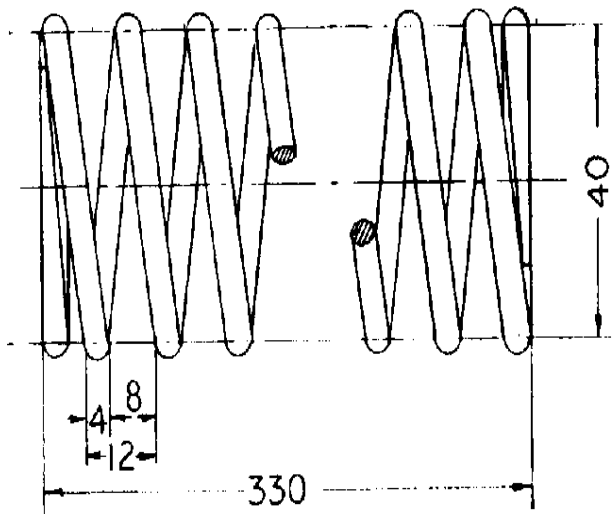


Fig. C2 - Control spring

spring cannot be found.

A softer spring can be used, but it must also be precompressed to 13.5 [kg.sub.f]. Springs harder than 2 kgf/cm should not be used.

C7 2 Washers (if spring diameter is larger than the outer diameter of parts (C4) and (C5)). Size depends on spring diameter. Make out of sheet metal approximately 2 mm thick.

C8 2 Wire, approximately 3 to 4 mm diameter, 400 mm long. Bend during installation (Fig. C3).

08p19.gif (600x600)

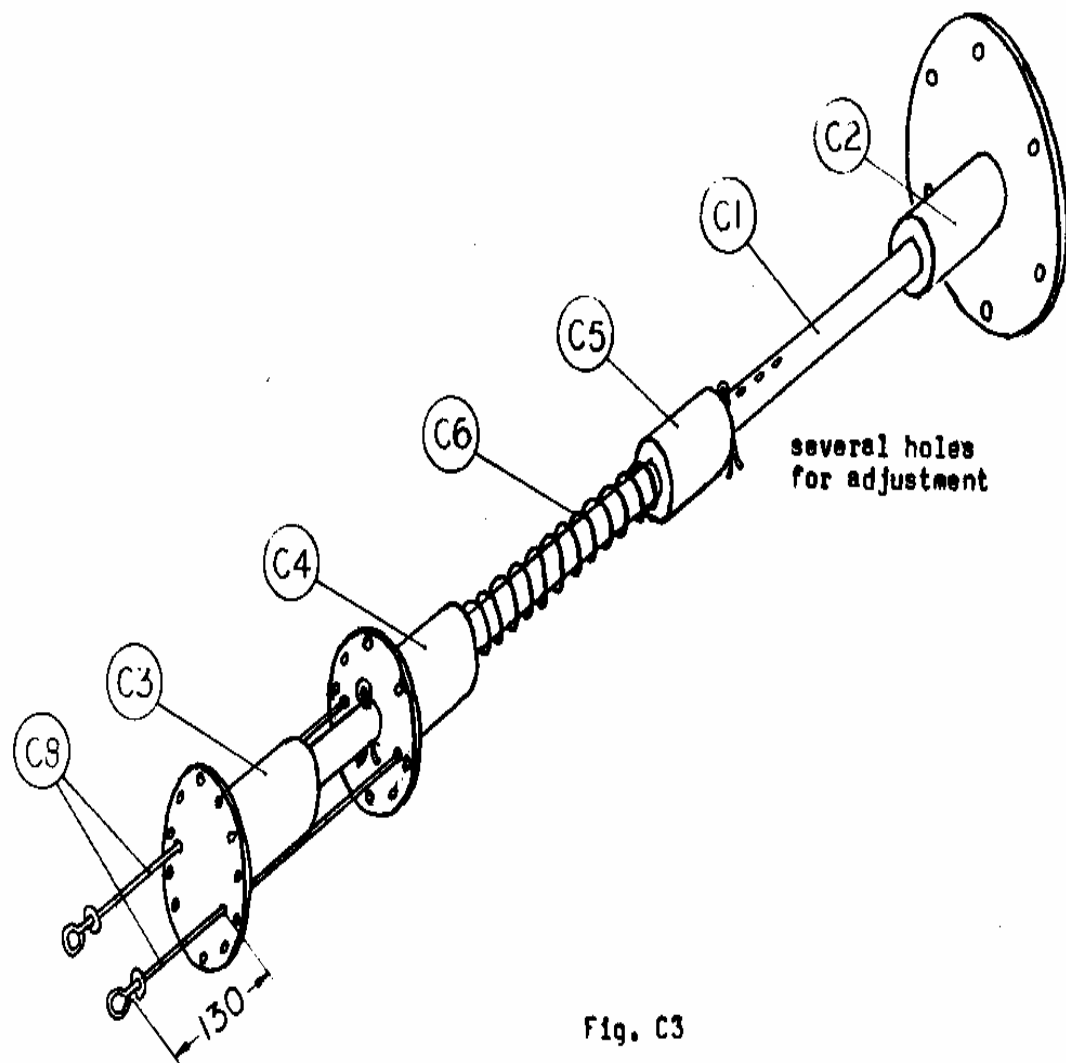


Fig. C3

4 Cotter pins, bolts, or wire to secure parts (C3), (C4), C5) on shaft (C1).

4 small washers

CONSTRUCTION OF CONTROL SHAFT

Make parts (C1) - (C7).

Lubricate shaft with heavy grease at the location of parts (C4) - (C7).

Mount all parts on shaft (C1) as shown.

Secure parts (C3) and (C4) by cotter pins, bolts, or wire.

Compress spring to a force of 13.5 kgf and secure part (C5) by cotter pin, bolt, or wire at this location.

Install wires (C8) with washers as shown (Fig. C3). Bend each end to a loop. Wires must stick out 130 mm when pulled. (These wires prevent blades from going over dead center.)

ROTOR ASSEMBLY

Lay center plate (R1) of rotor on blocks to raise it approximately 0.5 m from the ground. (Side to which the spokes are welded "up"). Temporarily bolt the control shaft in place by two bolts through plates (C2) and (R1). Make sure control shaft is exactly vertical.

Connect the 16 wires or cables (R13) to the 16 holes of centerplate (C3).

Connect the 8 wires or cables (R12) to the 8 holes of control plate (C4).

Connect the 16 wires from (C3) to the holes in (R5) at the tips of the spokes (Fig. R4). Tighten the wires (or cables) at

08p15a.gif (437x437)

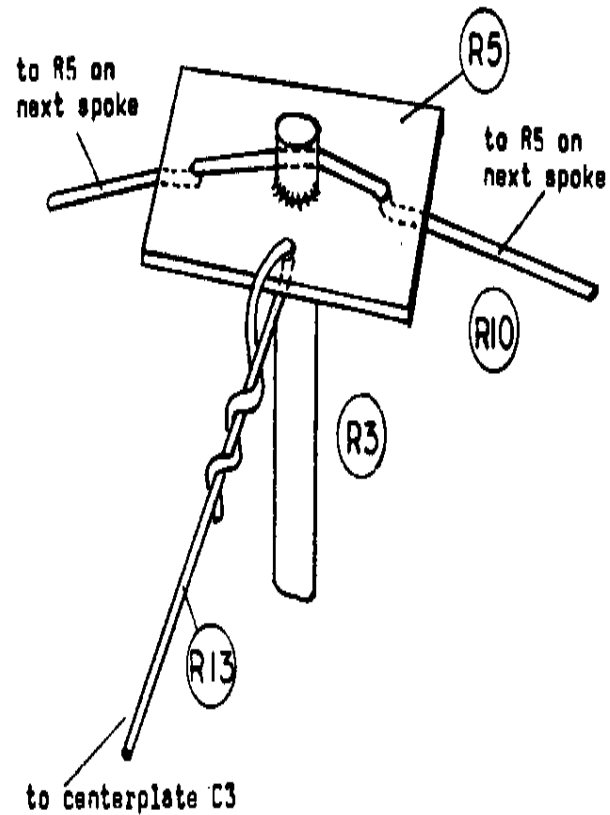


Fig. R4

each spoke until the spoke is horizontal, then fasten wire securely. Note: do this simultaneously at opposing sides of the rotor to avoid bending of the control shaft. Do not proceed to next step unless all spokes are horizontal while control shaft is exactly vertical.

With wire or rope tied to (C3) pull (C4) up against the cotter pin. Connect the 8 wires from (C4) to the rubber strips on every second blade (Fig. R6). Adjust the wire length until

08p15c.gif (486x486)

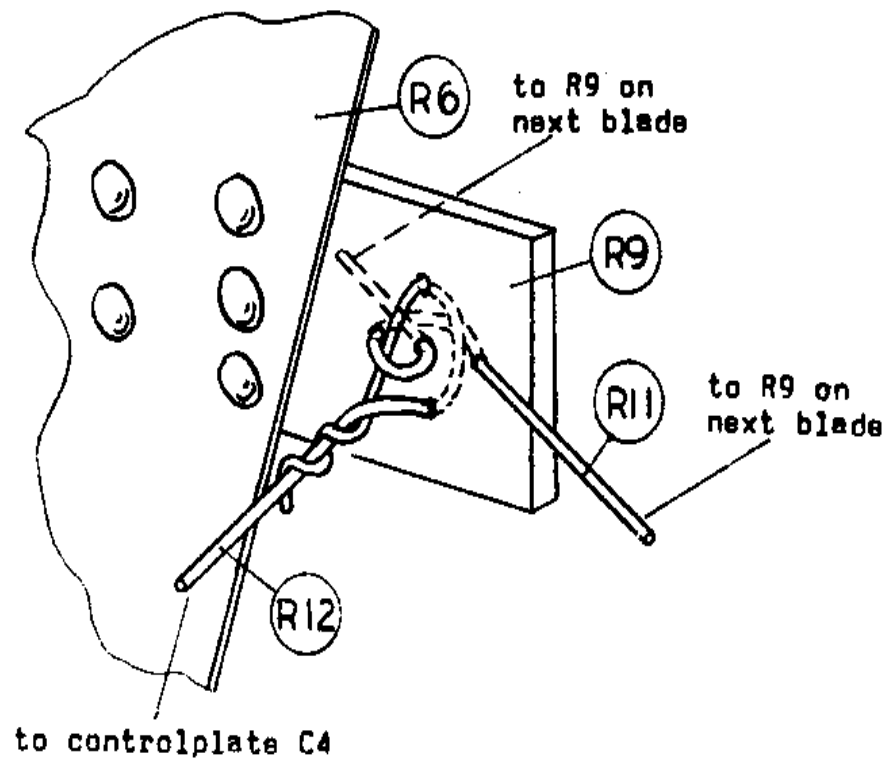


Fig. R6

the blade has the required angle (Figs. R3, R7), with the trailing edge of the blade tip 230 mm below the plane of the spokes (leading edge angle with that plane 42 [degrees] at the tip). Fasten wire securely.

Using wire or cable (R11), connect all rubber strips (R9) with each other (Figs. R6, R7). Work in the direction shown,

08p15c0.gif (486x486)

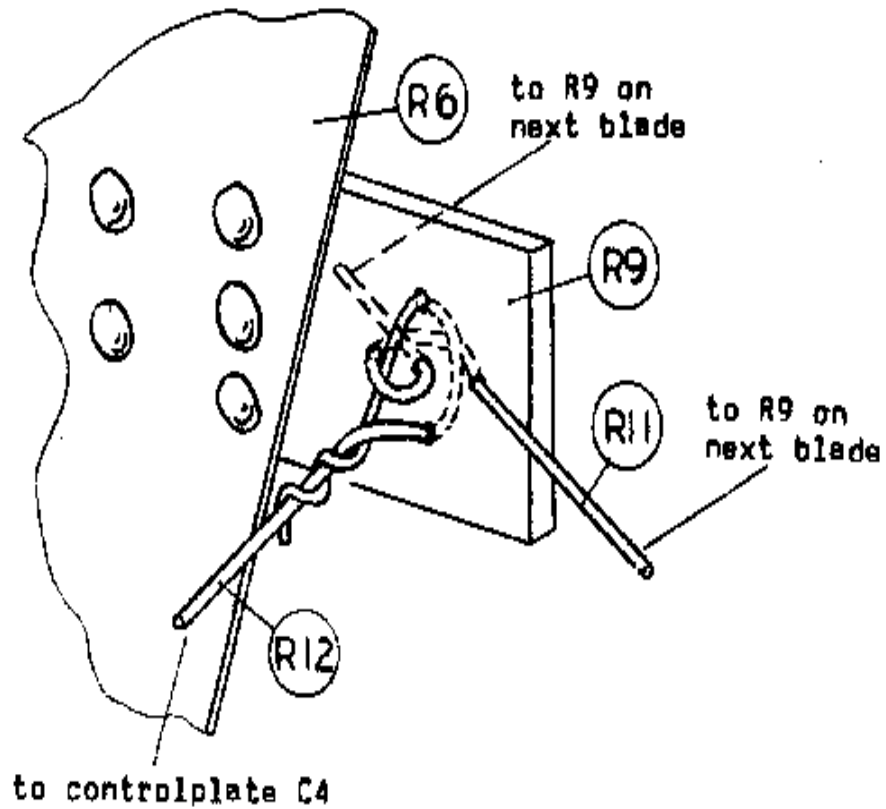


Fig. R6

holding up every second blade in the correct position when connecting it. When the circle is completed, all blades must be at the same angle.

TURNTABLE

Part

number Quantity Remarks (See Figs. T1, T2)

08p230.gif (600x600)

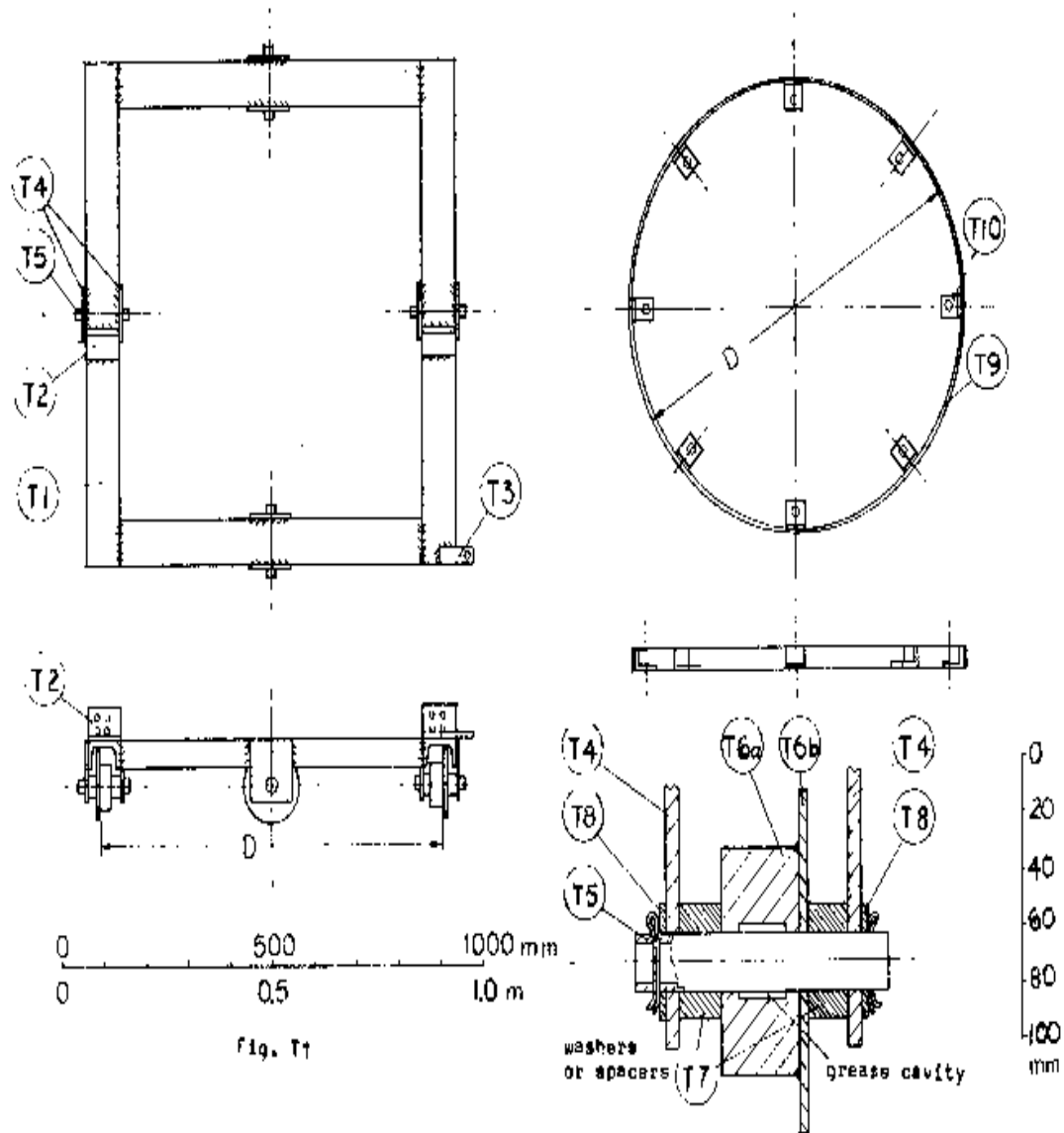


fig. T1

T1 1 Frame welded together from steel channel, approximately 50 to 80 mm wide. Frame is

exactly square. Note: Dimension "D" (distance of brackets (T2), wheel distance, and outer diameter of circular track) depends on location of leaf spring mounts on car axle.

T2 2 Brackets made from angle iron (about 5 to 8 mm wall thickness). Drill pattern corresponds to that of leaf spring mounts on car axle.

T3 8 Steel plate approximately 4 to 10 mm thick.

T4 1 Steel plates approximately 5 to 10 mm thick.

T5 4 Steel axles 20 to 30 mm diameter. Thickwalled pipe can be used.

T6 4 Use whatever can be found. Diameter of wheel body (T6a) should not be less than 50 mm. Rim diameter (T6b) should be approximately 40 mm greater than that of (T6a). Prefer ball bearing, or bronze bearing, but simple steel cylinder (T6a) acceptable. Grease cavity recommended in this case. Weld or bolt rim (T6b) to (T6a).

T7 8 Spacers. Pieces of pipe, or several washers.

T8 20 Washers (can be made from sheet metal 1 - 2 mm thick).

T9 1 Circular track. Ribbon steel, approximately 30 mm wide, 5 to 10 mm thick. Bend and weld together to form ring of outer diameter "D". Ring must be exactly circular to avoid derailing of turntable.

T10 8 Brackets made from angle iron, or bent (heat!) ribbon steel approximately 5 to 8 mm thick.

8 Cotter pins, or wire or nails.

Construction of Turntable and Track

Prepare wheel assembly (parts (T4) - (Tb)). Make Sure wheels rotate with little friction.

Weld frame (T1) together.

Weld brackets (T2) onto frame such that car axle is exactly centered on the frame when mounted to the brackets (T2).

Weld part (T3) onto frame.

Bend and weld circular track (T9) and weld 8 brackets (T10) to its inside. Lay track on flat surface and make sure it has no waves and is perfectly horizontal.

Clamp wheel assemblies lightly to frame, with wheel rims facing outward. Set frame up on blocks on the circular track on a flat

floor, with all wheels resting on the track. Weld parts (T4) to the frame, checking repeatedly that all wheels rest on track.

Wheels should have axial play of approximately 1 mm. Adjust by adding or removing washers.

VANE

Part

number Quantity Remarks (See Figs. V1 - V4)

08p270.gif (600x600)

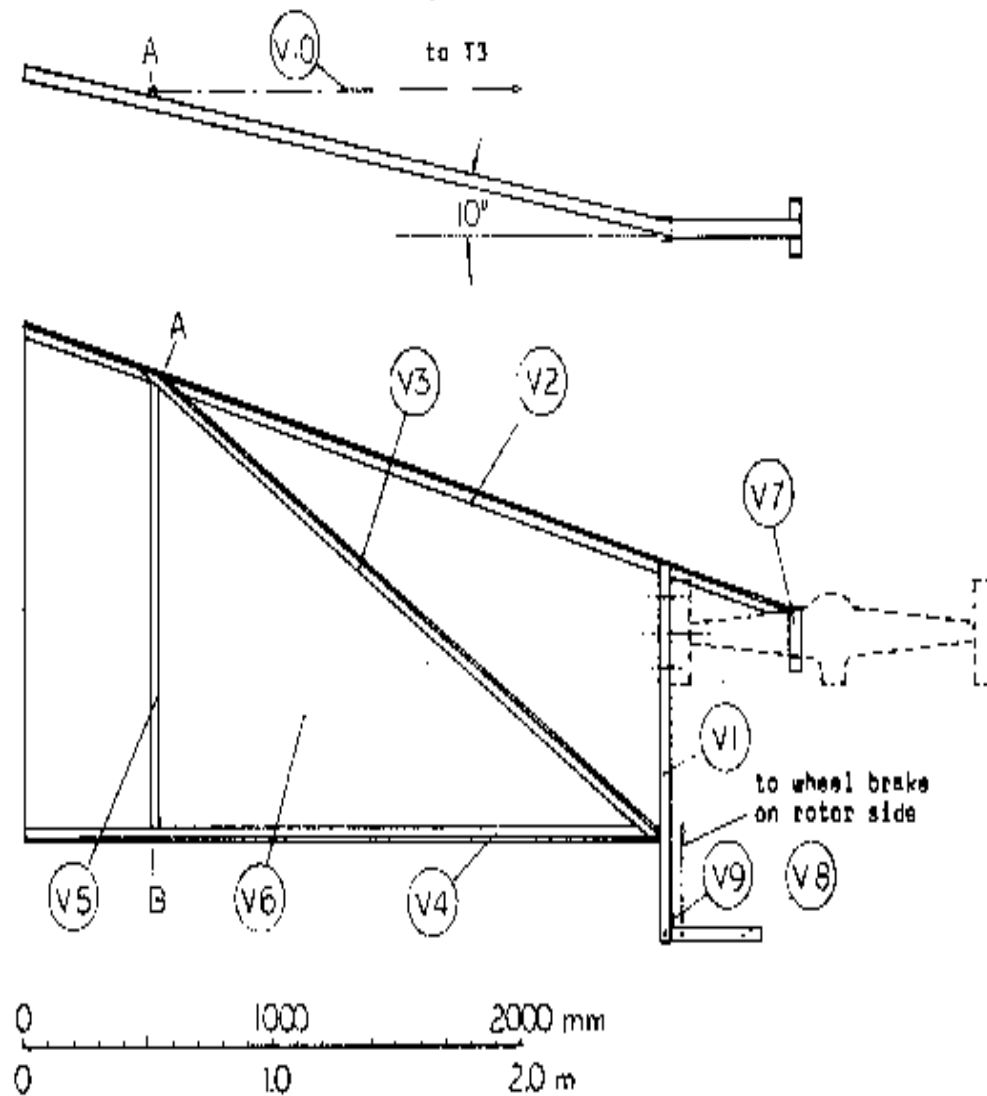


Fig. V1

V1 1 Steel channel, approximately 50 to 80 mm wide, 3 to 5 mm wall thickness, 1.10 m long. Drill

two holes to fit two wheel bolts on the wheel drum, and two holes for bolt supporting brake handle (V8).

V2 1 Angle iron, approximately 20 x 20 mm "L" shape, 2 to 3 mm wall, 3.30 m long.

V3 1 Angle iron, approximately 20 x 20 mm "L" shape, 2 to 3 mm wall, 2.50 m long.

V4 1 Angle iron, approximately 20 x 20 mm "L" shape, 2 to 3 mm wall, 2.60m long.

V5 1 Ribbon steel, approximately 20 to 30 mm wide, 2 to 3 mm thick, 1.30 m long.

V6 1 Galvanized sheet metal, approximately 0.5 mm thick, 2.60 m x 1.50 m.

V7 1 Clamp made frgm ribbon steel approximately 30 to 40 mm wide, 2 to 4 mm thick. To fit over car axle. Weld to part (V2). Provide holes for clamping bolt.

V8 1 Brake handle. Ribbon steel, or angle iron, approximately 20 to 40 mm wide, 2 to 4 mm thick, 400 mm long. Hole for supporting bolt is to be approximately 2 mm wider than bolt diameter.

V9 1 Brake handle stop. Flat piece about 3 to 6 mm thick. Weld to (V1).

V10 2 Support wires or cable, approximately 2 to 3 mm diameter, each 3 m long.

Rivets or small nuts and bolts to fasten sheet metal to vane frame (wire could also be used).

<FIGURE V2>

08p28a.gif (600x600)

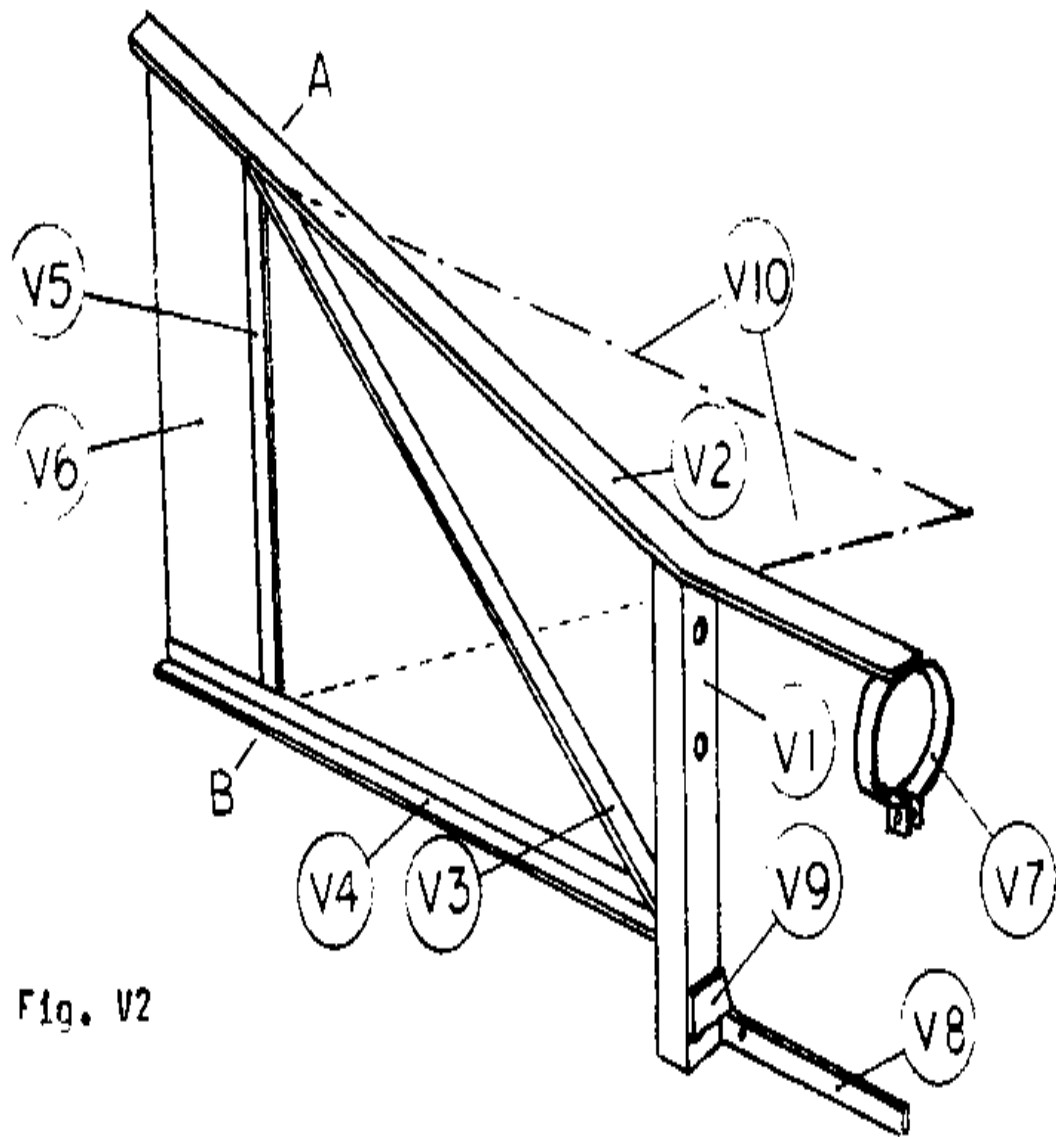


Fig. V2

Vane Construction

Prepare parts (V1) - (V10). Bend (V2) 10 degrees, to one side.

Weld (or bolt) together parts (V1) - (V5), (V7) and (V9).

Fasten sheet metal (V6) to vane frame using rivets, small nuts and bolts, or wire no more than 300 mm apart.

Connect brake handle (V8) to channel (VI) (Fig. V3).

08p28b.gif (486x486)

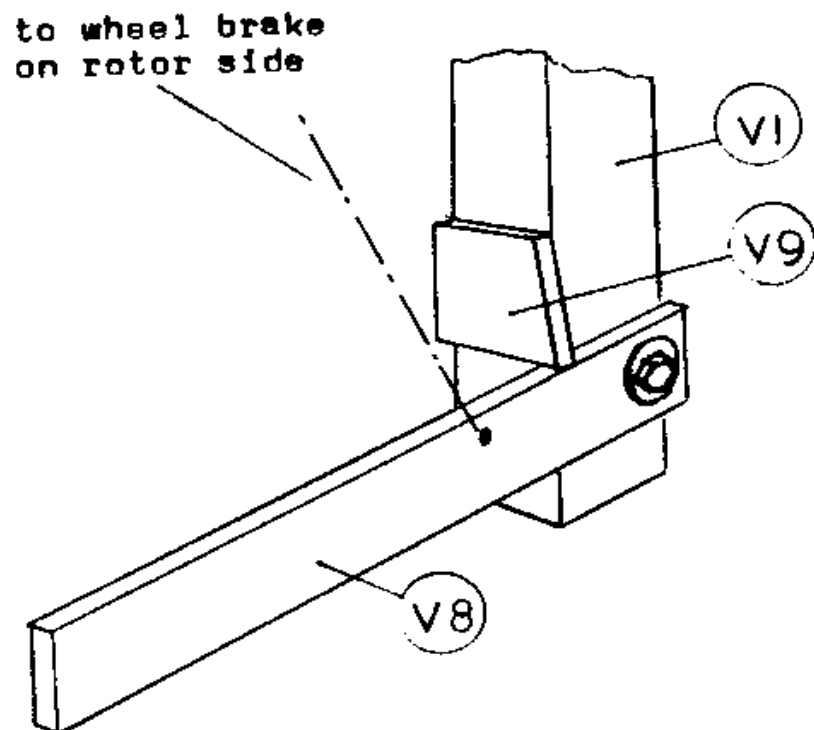


Fig. V3.

Note:

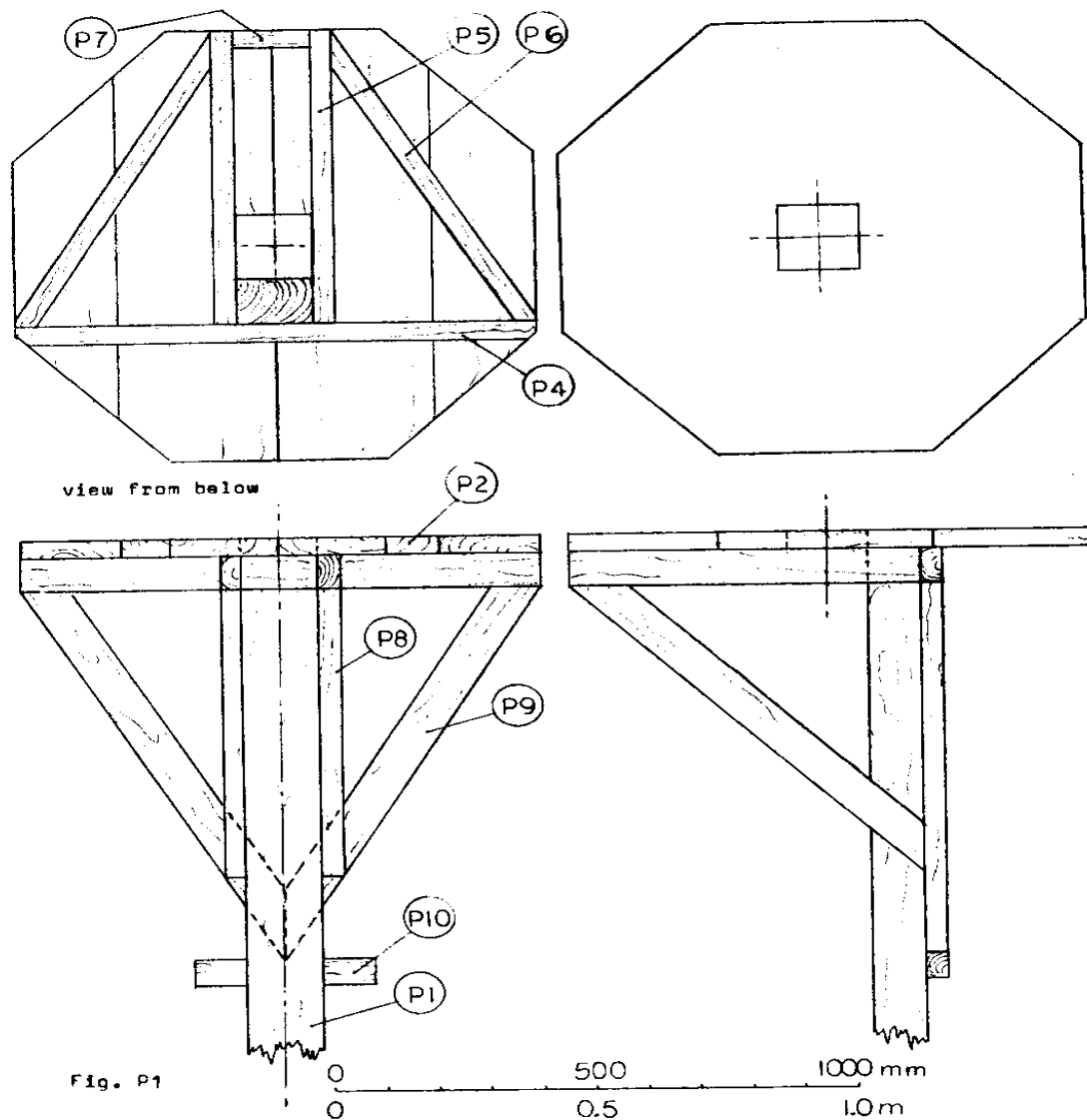
Hole in (V9) must be large enough to permit handle to be lifted over the stop (V9).

Connect wires (V10) to points "A" and "B".

PLATFORM AND TOWER

**Part
number Quantity Remarks (See Figs. P1, P2)**

08p310.gif (600x600)



P1 1 Beam or pole, 6 to 12 m long, approximately 10 cm x 15 cm, or 15 - 20 cm diameter.

Shape upper end to 10 cm x 15 cm.

P2 1 Platform: Thick plywood, or thick boards.
Cut out 15 cm x 15 cm central hole. Note:
diameter of platform depends on diameter of
track (dimension "D").

P3 1 Galvanized sheet metal cover, somewhat larger
than platform.

P4 1 Beam, approximately 4 cm x 8 cm.

P5 2 Beam, approximately 4 cm x 8 cm.

P6 2 Beam, approximately 4 cm x 8 cm.

P7 1 Piece, approximately 4 cm x 8 cm.

P8 2 Beam, approximately 4 cm x 8 cm.

P9 2 Beam, approximately 4 cm x 8 cm.

P10 10 - 20 Steps, approximately 4 cm x 8 cm x 35 cm.

Nails approximately 10 cm long (galvanized, if
available).

Nails approximately 4 cm long (galvanized, if
available).

Construction of Platform and Tower

Build platform from parts (P2), (P4) - (P7), with a 15 cm x 15 cm centerhole.

Shape upper end of tower beam so it fits into the space between (P4), (P5), and centerhole.

Nail platform to tower using parts (P8) and (P9).

(Reinforce joints by nailing strips of sheet metal over them with 4 cm nails).

Cover top of platform with sheetmetal and nail it down on the platform and over the sides.

Mount circular track (use nuts and bolts) so that its center coincides with the center of the square hole. Check roundness of the circle.

Nail steps to tower beam approximately 30 cm apart.

WINDMILL ASSEMBLY

The best way to assemble the windmill will depend on local conditions, and on labor, cranes, ladders, scaffolds available. The steps in the assembly should be well thought through before-hand, and all assistants should be fully familiar with the

planned procedure. The windmill should be erected on a calm day. The following is one possible assembly procedure.

Soak tower structure in creosote for a day, in particular the lower part which goes into the ground. If creosote is not available, burn the outside of the lower part to a depth of approximately 1/2 cm.

Dig a hole approximately 20% of tower height deep (less in rocky soil, more in sandy soil). Place tower vertically in hole, and fill hole with rocks and/or concrete, compacting thoroughly and repeatedly in the process. It is recommended that the tower be anchored also by at least 3 cables (mount at a low enough position on the tower so that they do not interfere with the rotor).

Mount the turntable on the circular track, and secure turntable to tower by wire or rope (temporarily but very rigidly).

Grease all sliding or rotating parts, and fill differential 1/3 full with heavy oil or light grease. Rustproof all metal parts (except aluminum or galvanized) by protective paint.

Mount car axle (drive shaft removed) on turntable.

Mount vane on one side of axle and connect the two wires or cables (V10) firmly from the vane (points "A" and "B") to part (T3) on the turntable.

Connect a cable from the wheel brake lever on the rotor

side to the brake handle (V8) on the vane. Use wire or cable loops fixed to the drum or other means to achieve the necessary 90 degree change in cable direction (Fig. V4). Adjust the cable length so

08p28c.gif (437x437)

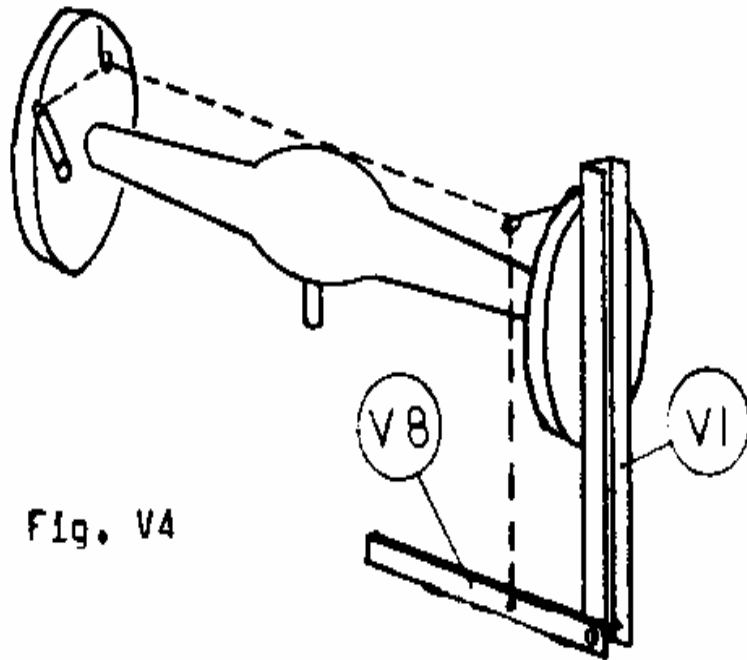


Fig. V4

that rotor wheel is completely braked when handle (V8) has been pulled down to rest against stop (V9). Pull the brake handle, braking the rotor wheel.

Remove the temporary wires holding parts (C3) and (C4) of the control shaft together. Raise the rotor assembly. Remove the two temporary bolts holding parts (C2) and (R1) together (but keep control shaft in position). Bolt control shaft (C2) and rotor (R1) to the axle, tightening wheel bolts well.

Remove restraining wires cautiously from the turntable, watching for imbalance. If rotor appears much heavier than vane assembly, secure heavy rocks or pieces of scrap metal on the vane side of the turntable.

Release brake, and rotate rotor slowly, watching spoke and blade alignment. Make corrections where required. Pull brake.

Connect drive shaft and load.

Run windmill cautiously at first, checking for vibration, loose parts, misalignment etc., and making immediate adjustments.

MAINTENANCE AND OPERATION

Grease or oil all sliding or rotating parts monthly. Add oil to differential. Check for loose components. Always repair immediately, if breakages or misalignments occur.

Rustproof all metal parts (except galvanized or aluminum parts) once a year. Remove rust and chipped paint by wire brush, and scraper, then paint with protective paint. In some climates,

new rigging wires may be required yearly.

Always brake rotor fully when windmill is unloaded or not in use.

If rotor blades feather at wind speeds considered too low, increase the precompression in the control spring.

If rotor blades feather at wind speeds considered too high, decrease the precompression in the control spring.

SPECIFICATIONS FOR A 2-METER WINDMILL

Construction essentially identical to that of 4 m VITA windmill, except that dimensions are to be adjusted accordingly. Listed below are the major changes; other secondary changes will be obvious to the builder.

PERFORMANCE DATA

Compared to the data for the 4 meter windmill:

rotor speed becomes twice that for the 4 meter windmill

rotor torque becomes one eighth (1/8) that for the 4 meter windmill

starting torque becomes one eighth (1/8) that for the 4 meter windmill

power becomes one fourth (1/4) that for the 4 meter windmill

altitude effects remain the same

Feathering Information

Remains the same for control spring of spring constant 0.75 kgf/cm precompressed to 3.5 kgf.

Fig. I1 - Rotor diameter becomes 2 m. Control shaft becomes half as

08p05.gif (600x600)

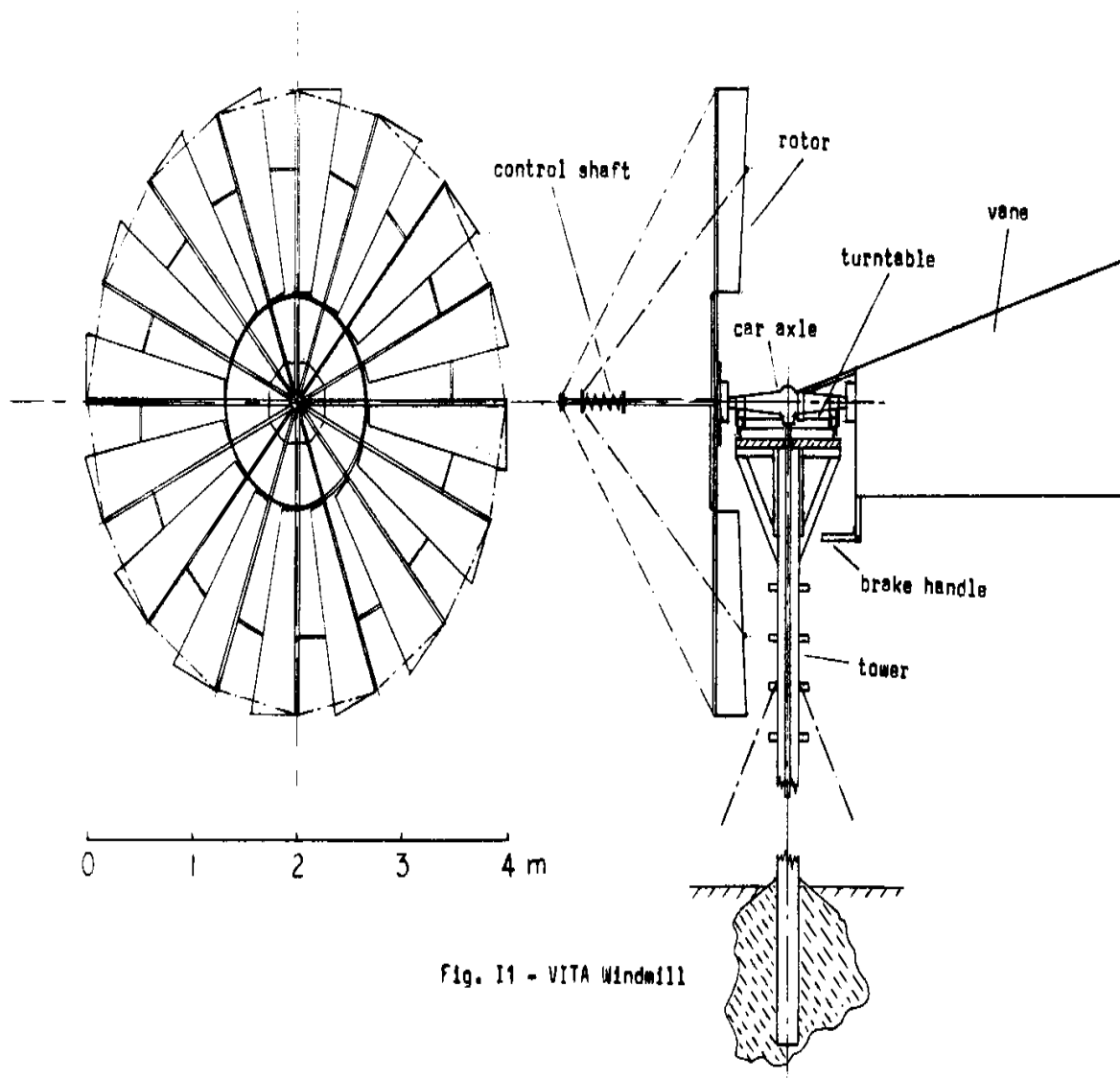


Fig. I1 - VITA Windmill

long, vane becomes half as long and half as high.

Fig. A1 - All speeds of revolution become twice that shown.

08p09a.gif (600x600)

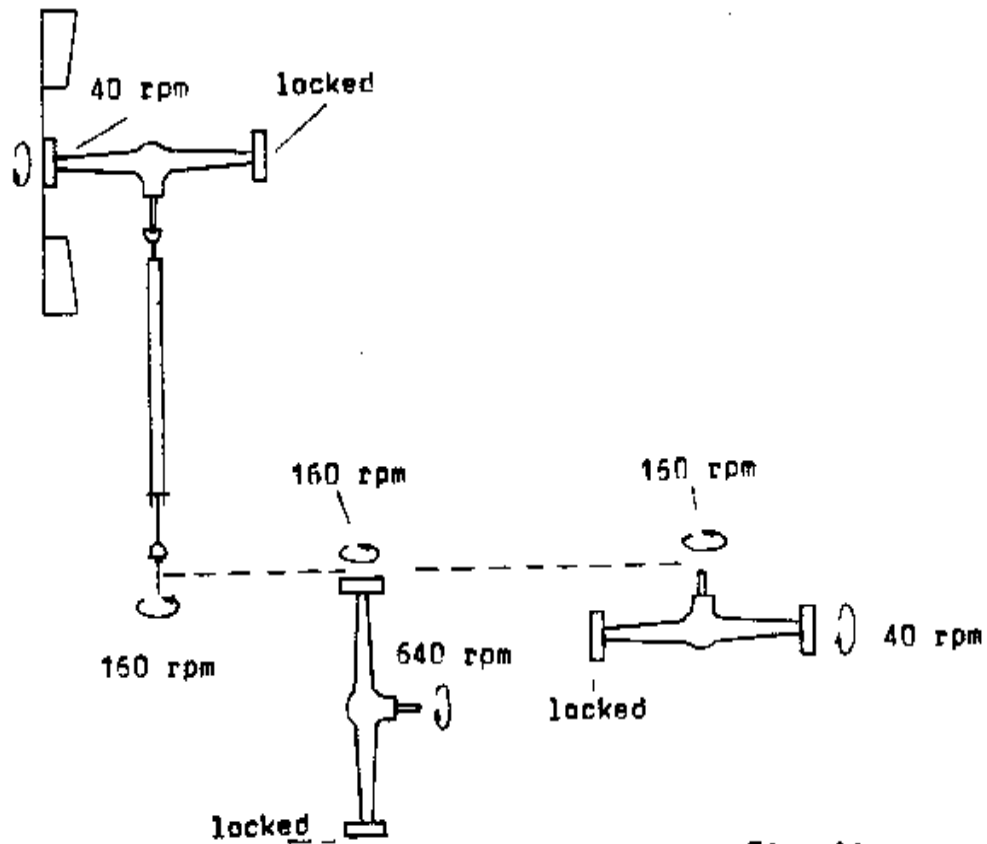


Fig. A1

VANE

Reduce height of vane to one half (approximately 0.75 m at tail).

Reduce length of vane to one half (approximately 1.3 m) .

No change in vane angle (10 [degrees]) .

ROTOR

Outer diameter of ring (R2) becomes 0.69 m (length of rod 2.18m) .

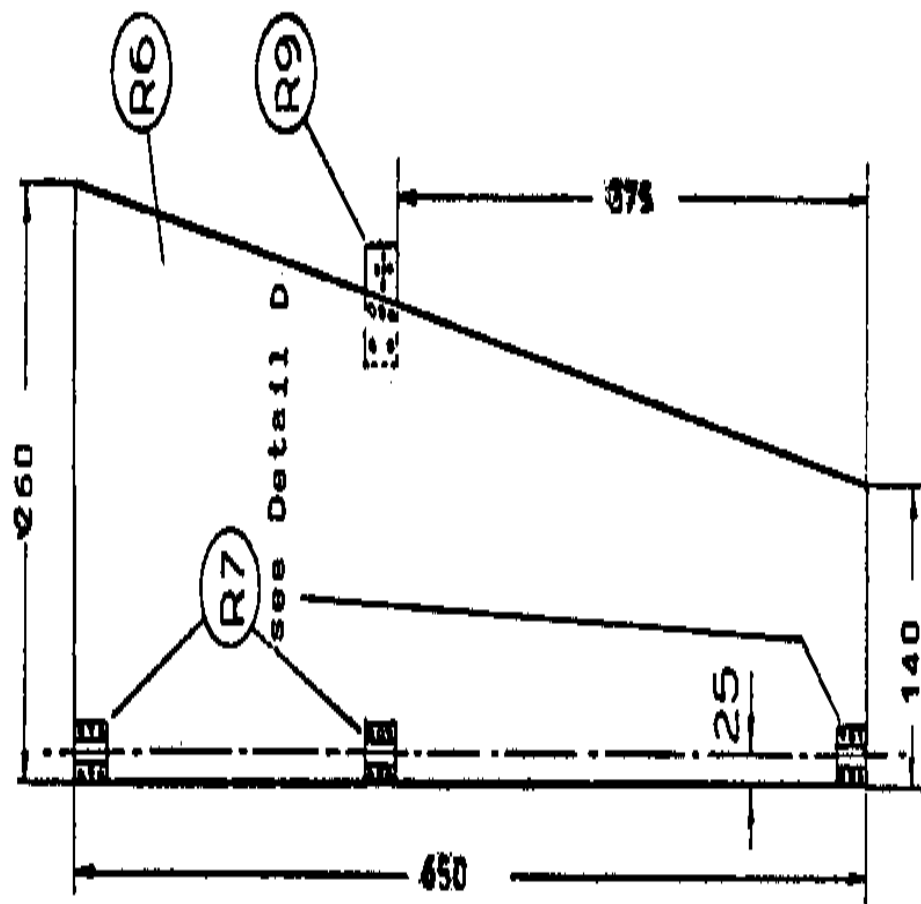
Length of spokes (R3) becomes 0.87 m .

Blades (R6) made from 8 pieces 0.65 m x 0.4 m .

New dimensions:

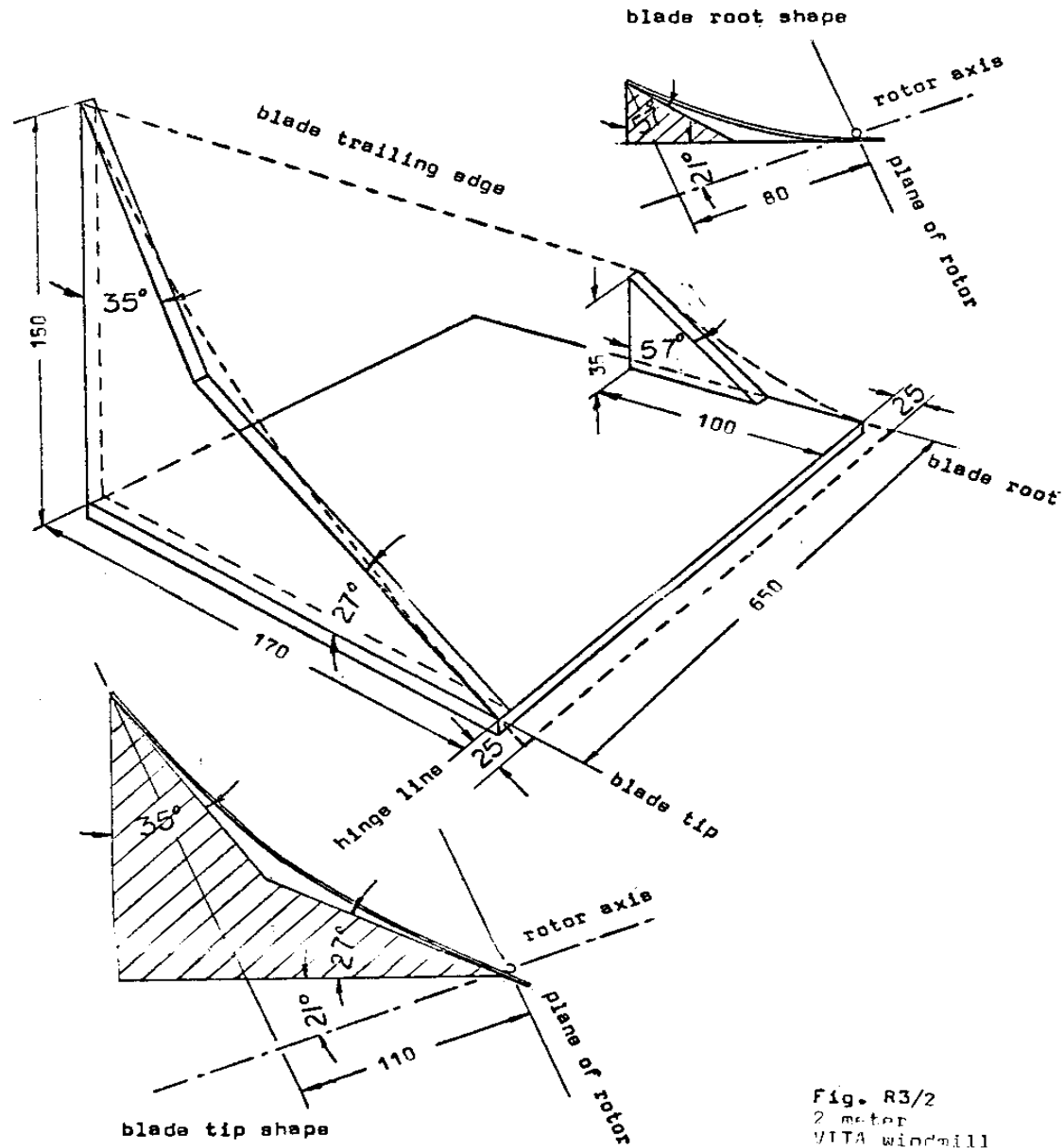
<FIGURE A>

08p37.gif (486x486)



Blade bending rig for 2 m rotor (see new Fig. R3/2) has same

08p38.gif (600x600)



angles as before, but all major linear dimensions are reduced to one half.

CONTROL SHAFT

Length of control shaft (C1) reduced to one half (0.75 m).

Compression spring (C6) changed to 169 mm long. Spring constant 0.75 [kg.sub.f]/cm (i.e. a compression of 1 cm for a weight of 0.75 kg).

If suitable spring cannot be found, make spring of same dimensions as for 4 m rotar, except use 3 mm steel wire.

Control spring precompression changed to 3.5 [kg.sub.f].

Change indicated length of wires (C8) from 130 mm to 65 mm. (Fig. C3).

08p19.gif (600x600)

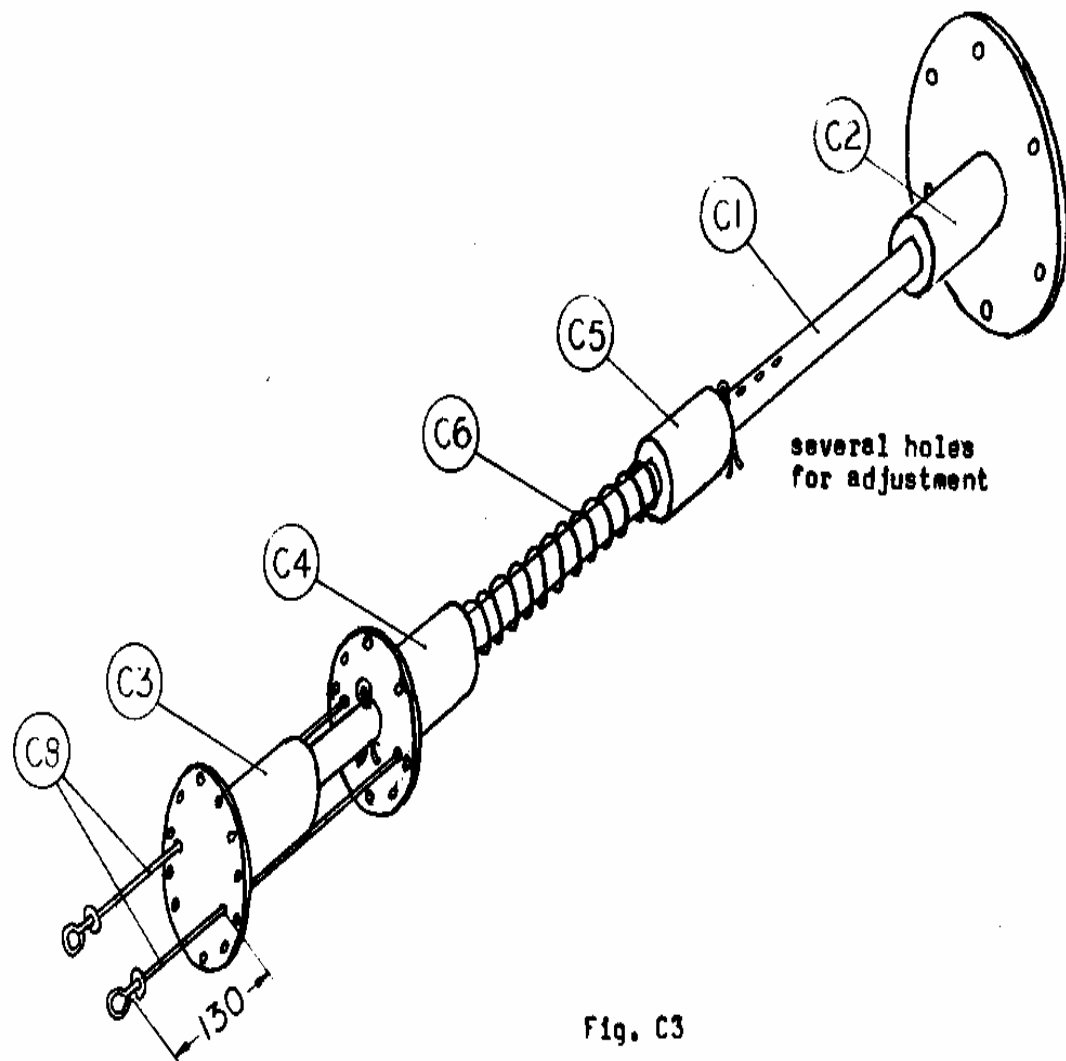


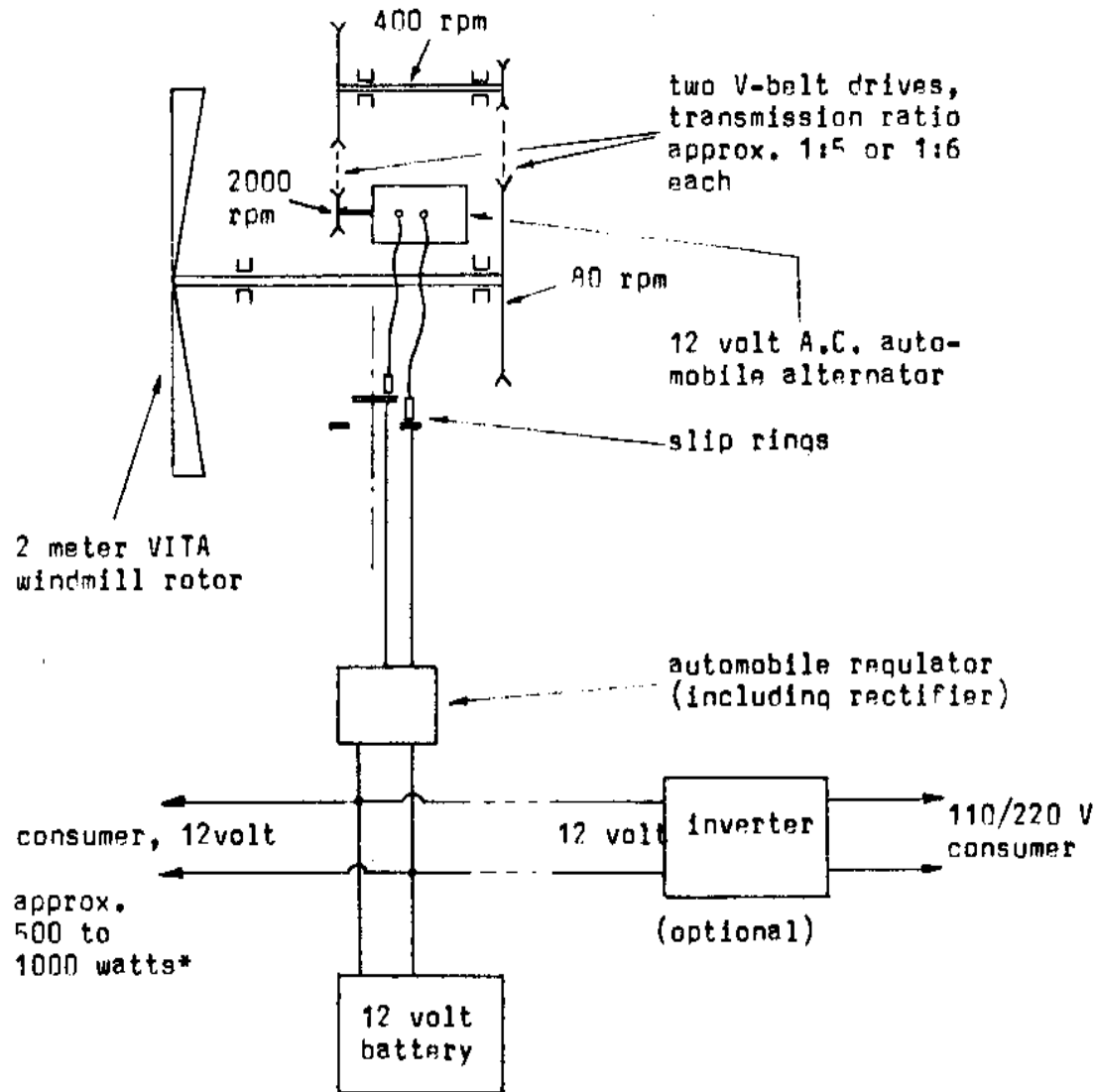
Fig. C3

Suggestion for

Electric Power Generation Using VITA 2 meter Windmill

<FIGURE B>

08p39.gif (600x600)



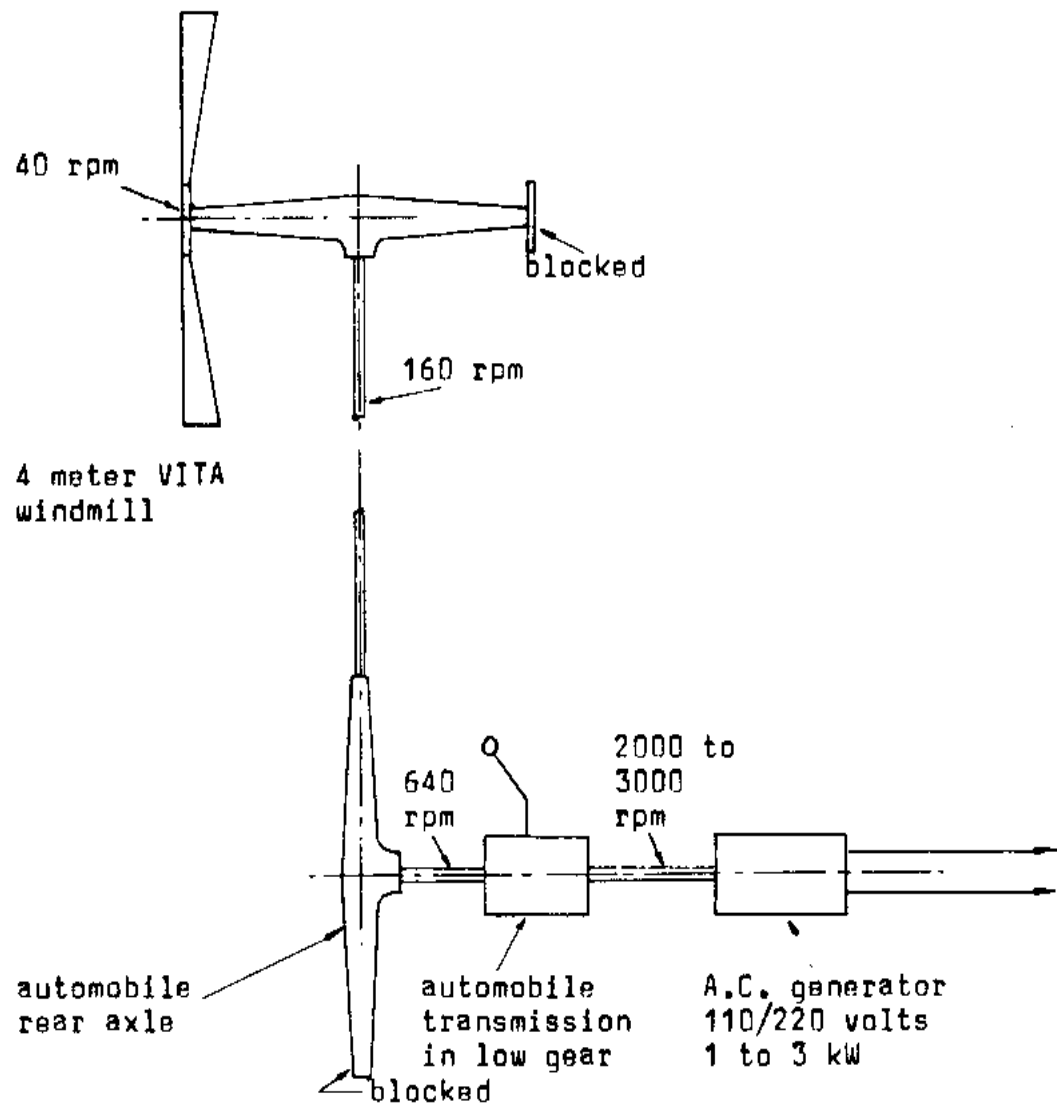
(*) depends on alternator used

Suggestion for

Electric Power Generation Using VITA 4 meter Windmill

<FIGURE C>

08p40.gif (600x600)



VITA Publications

VITA's manuals reflect the organization's emphasis on designing, developing and distributing village and community level technologies which are appropriate for use in developing countries.

At the same time, these technologies have application wherever people are interested in protecting resources and in doing things themselves. VITA makes this technology available through its Publications Service, which distributes material worldwide.

VITA's Publications Service seeks to print and distribute manuals in a form which can be used easily by the extension agent in a field situation or by the do-it-yourselfer at home. The material is offered at low prices, in clear, often fully illustrated format and in non-technical language.

Announcing...

SMALL FARM GRAIN STORAGE (1976) 575 pages

English

A complete practical overview of small farm grain storage questions for use by development workers and others concerned with small-scale grain production. Includes plans for grain dryer and storage facilities, instructions for rodent and insect control.

FRESHWATER FISH POND CULTURE AND MANAGEMENT

(1976) 200 pages English

A guide to planning, construction and maintaining smaller-scale fish pond operations.

Includes information on selecting warm water fish, choosing drainage systems, treating fish for disease, fertilizing ponds, and so on.

REFORESTATION IN ARID LANDS (forthcoming)

English

Provides guidelines for planning and carrying out a reforestation project -- from nursery to planting site. Includes information on planting, transplanting and transporting.

Extensive appendices present a detailed look at trees, soil, climate, and reforestation activities in sub-Saharan West Africa.

USING WATER RESOURCES (forthcoming) 150 pages

English

Available for the first time as a separate offering in response to user demand, this volume is an excerpt from VITA's ever popular, highly touted VILLAGE TECHNOLOGY HANDBOOK (also included on this list). USING WATER RESOURCES contains information and plans for tubewells and dug wells, water lifting, pumps, water storing and purifying, and so on.

HANDLOOM CONSTRUCTION (forthcoming) English
Contains detailed, fully illustrated step-by-step construction procedures for three types of handloom.

RABBIT RAISING (forthcoming) English
A complete guide for the rabbit raiser.
Contains guidelines for breeding rabbits, treating for disease, feeding stock, building hutches, keeping records, and tanning skins.

... of continuing interest

VILLAGE TECHNOLOGY HANDBOOK (1970) 350 pages
English, French, Spanish
VITA's helpful guide to alternative technologies.
Provides detailed technical plans in the areas of water resources, tools for agriculture, construction and sanitation, among others.

AUTOMOTIVE OPERATION AND MAINTENANCE (1975)
202 pages English
A manual for drivers who deal with poor roads and poor service facilities.

SMOKING FISH IN A CARDBOARD SMOKEHOUSE (1966)
12 pages English, French, Spanish

**HOW TO SALT FISH (1966) 10 pages
English, Spanish**

**SOLAR COOKER CONSTRUCTION MANUAL (1967)
25 pages English, Spanish
FRESH PRODUCE HANDLING AND DISTRIBUTION (1968)
10 pages English**

Excerpted from the VILLAGE TECHNOLOGY HANDBOOK

**GROUNDNUT (PEANUT) HULLER (revised 1977)
8 pages English, French**

**HOW TO PERFORM AN AGRICULTURAL EXPERIMENT
(1971) 30 pages English, French**

=====
=====