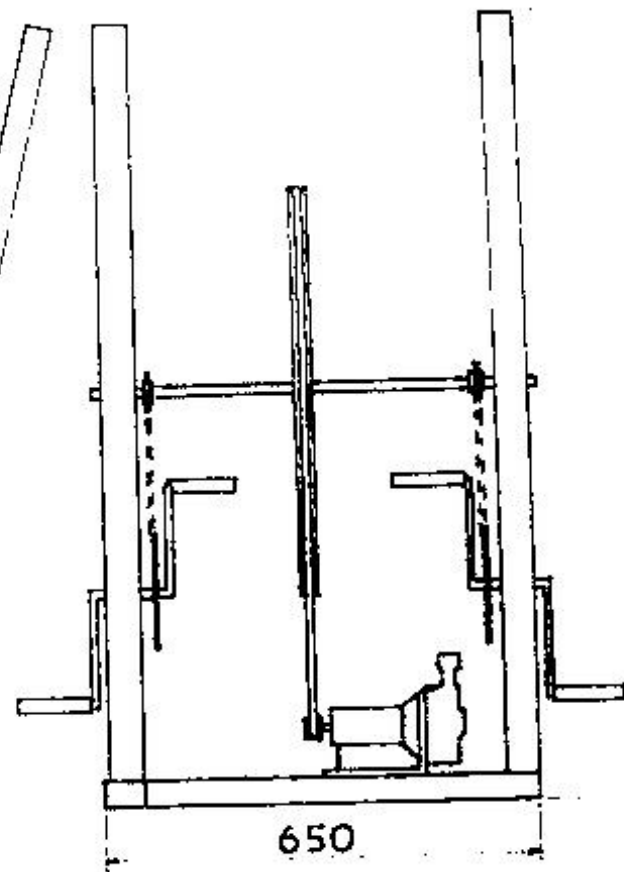
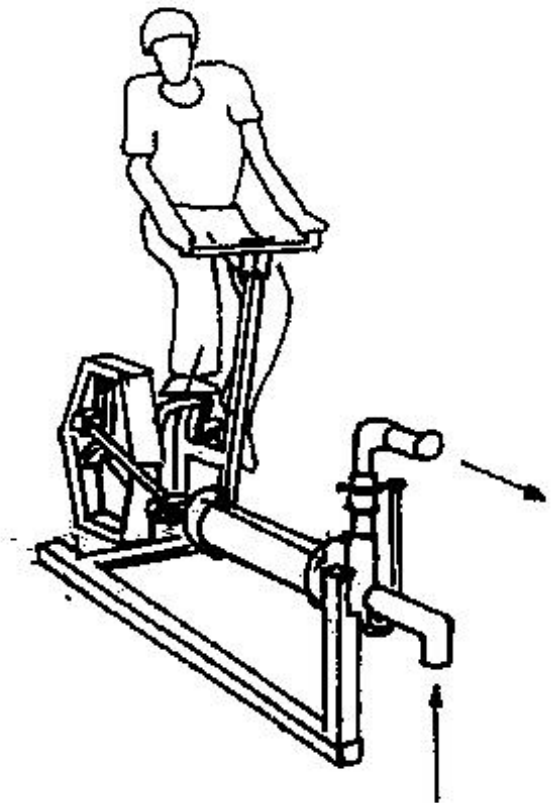


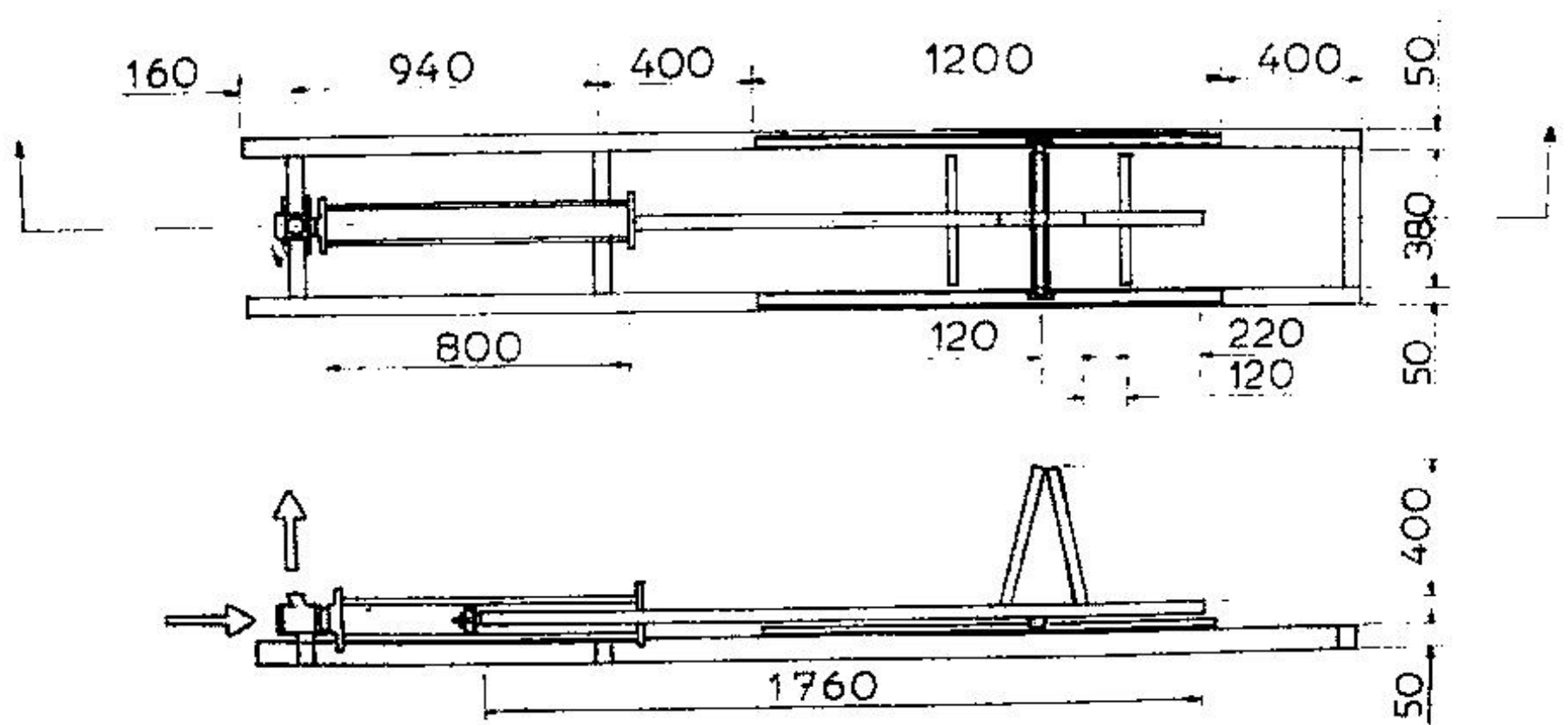
1300

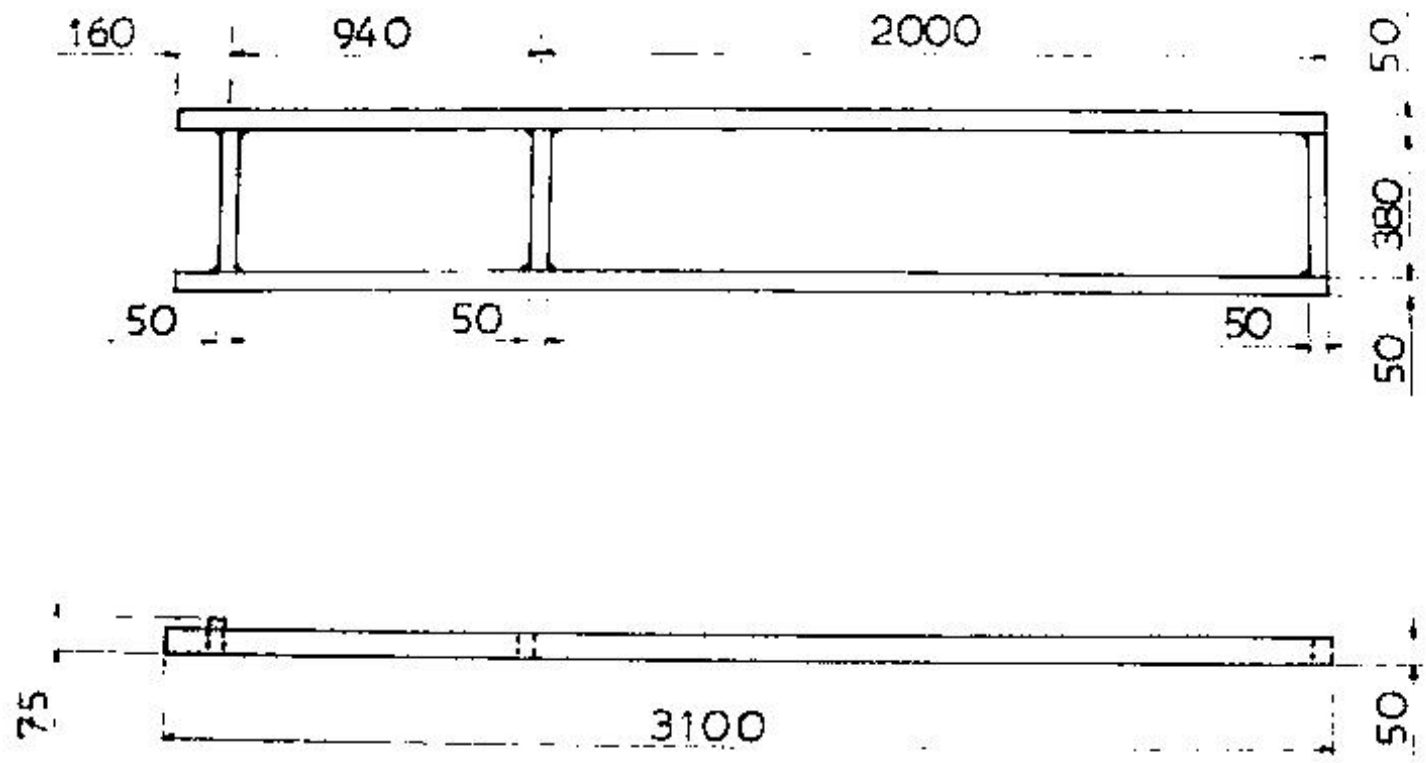


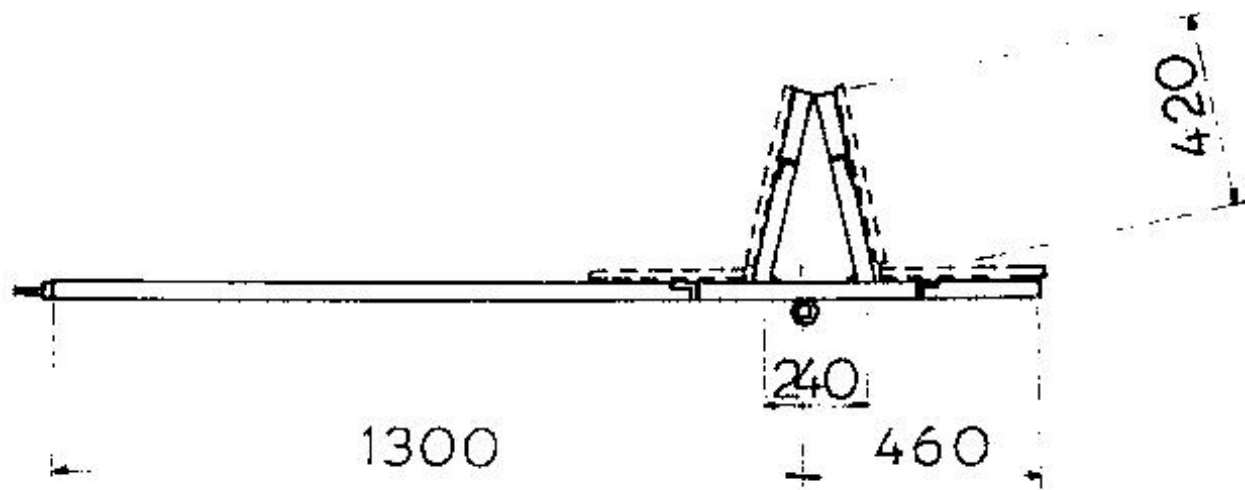
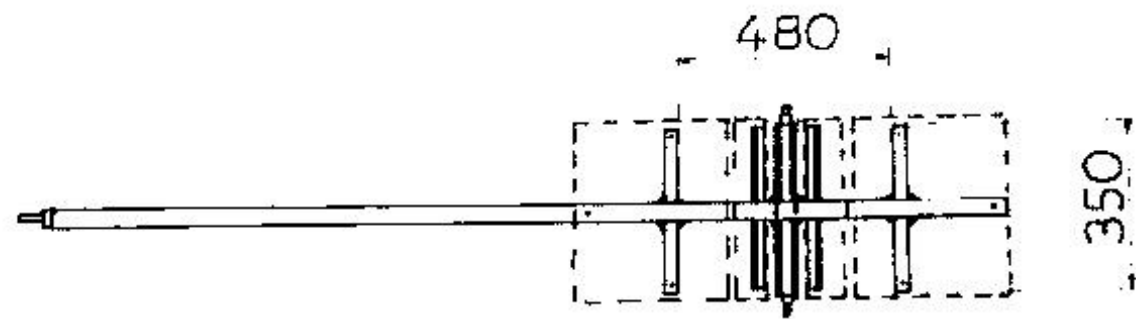
650

1200



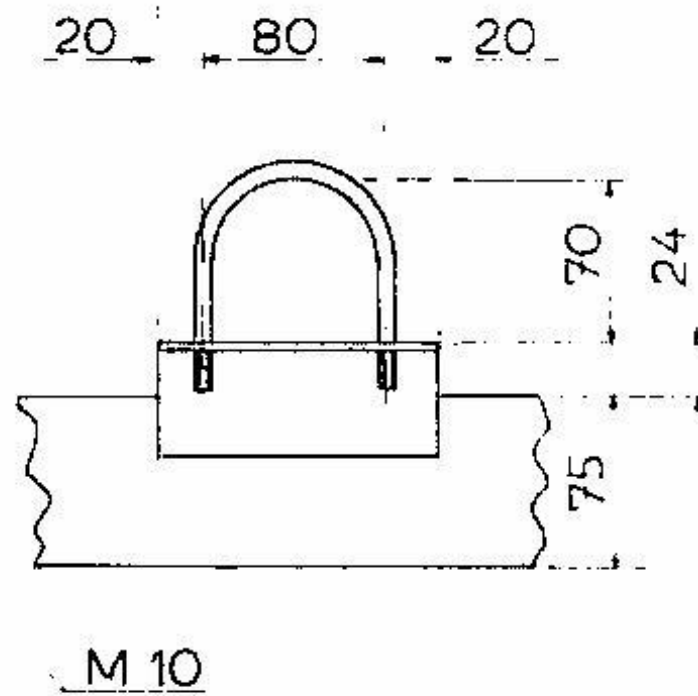
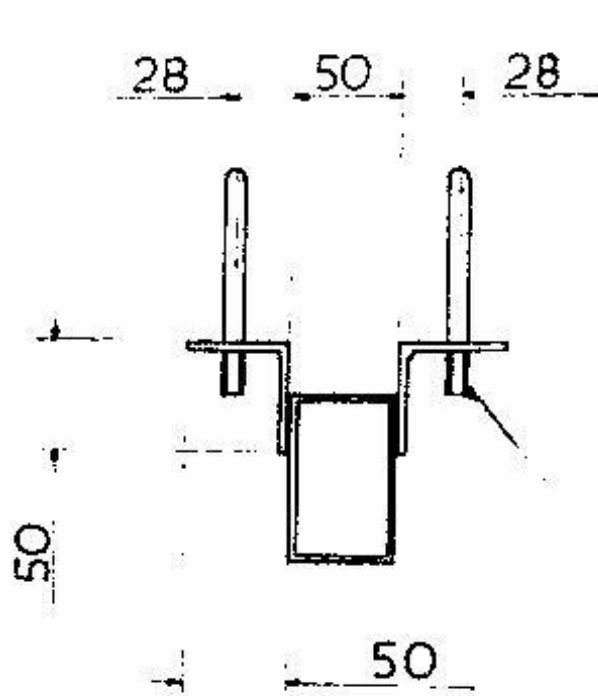


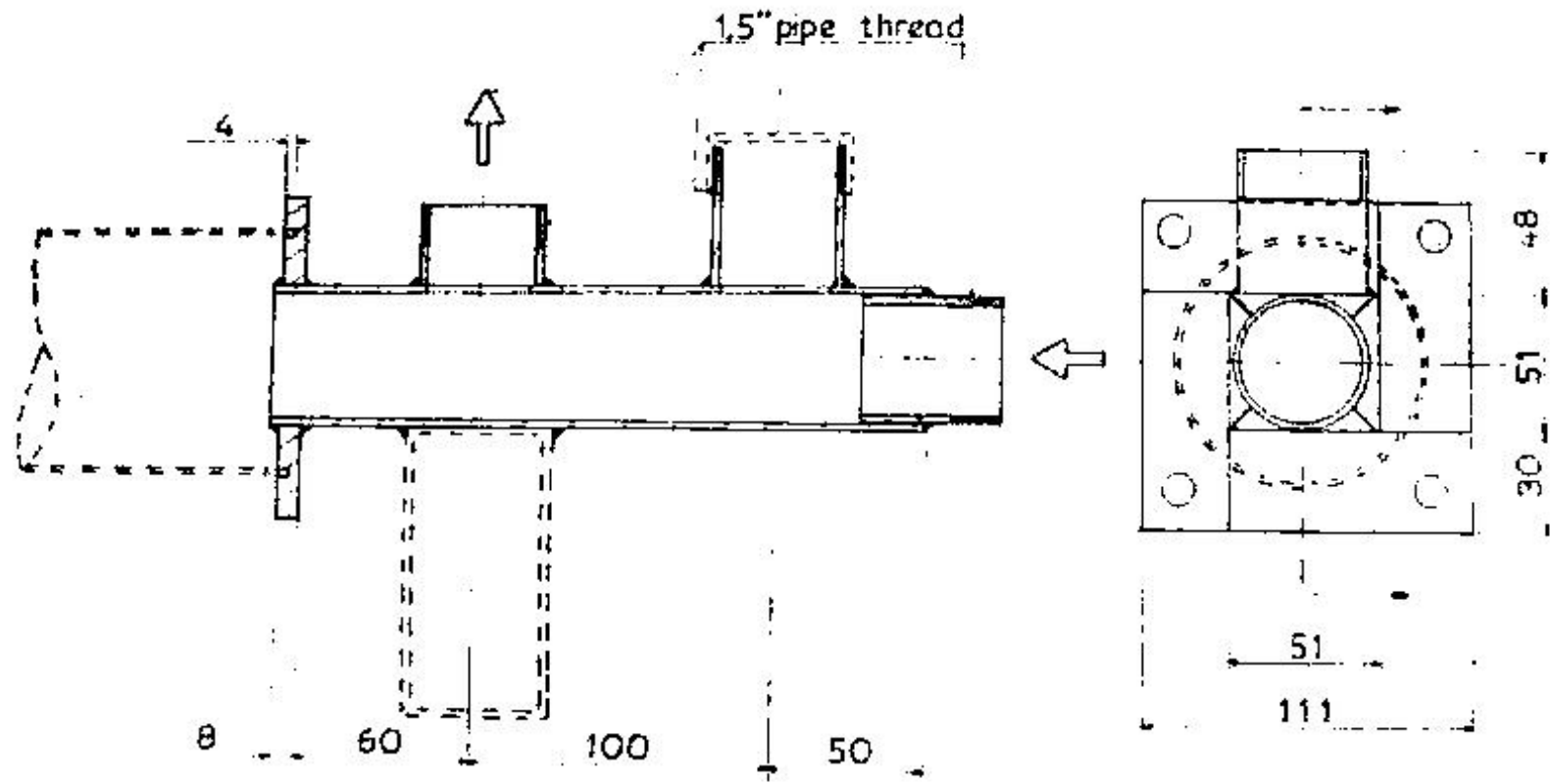


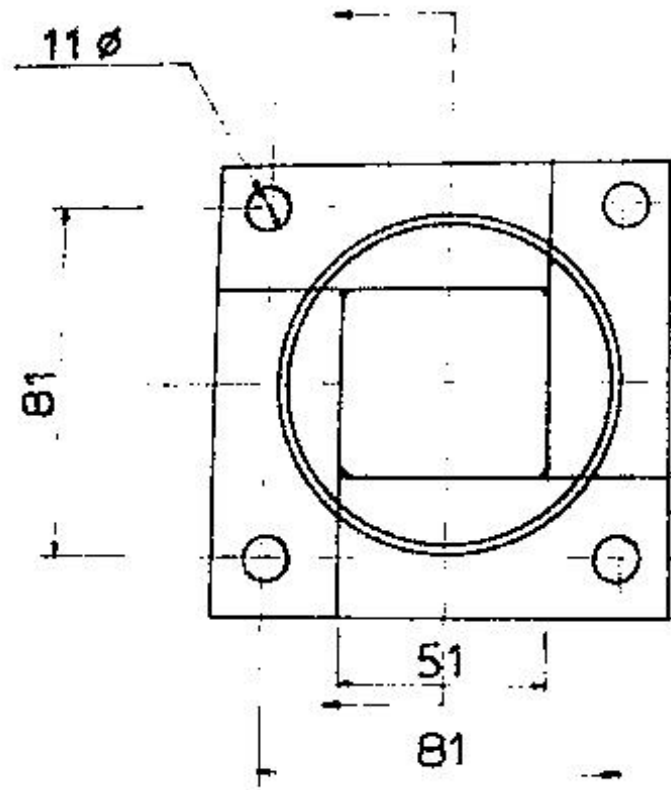


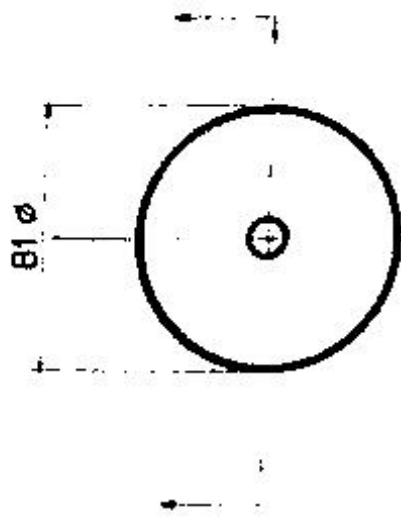




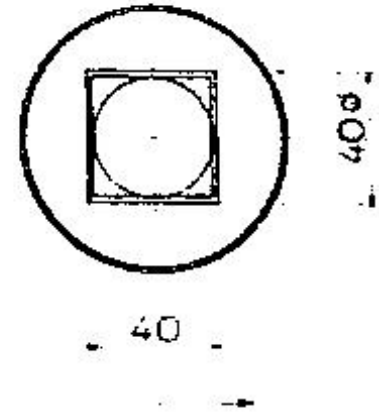
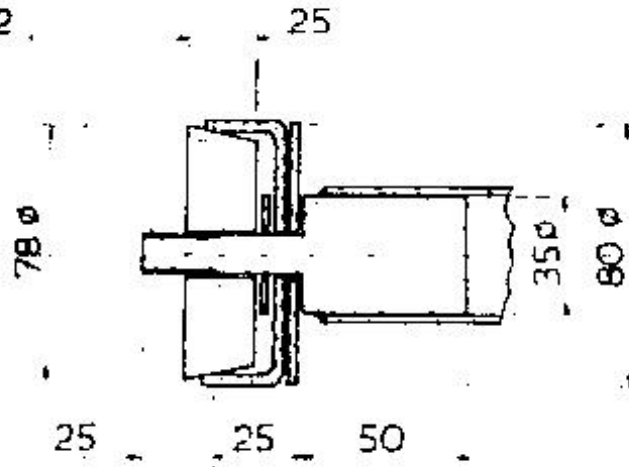


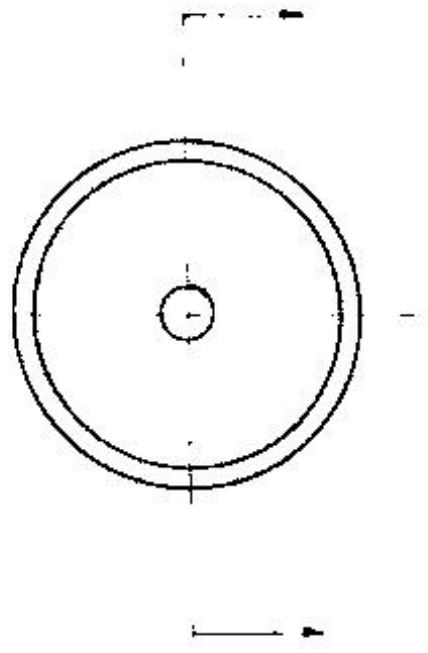
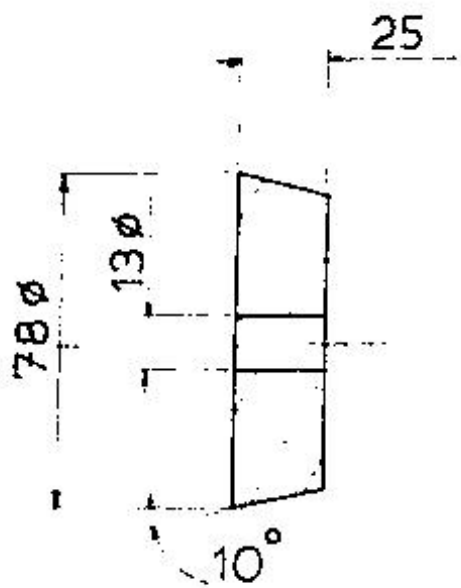


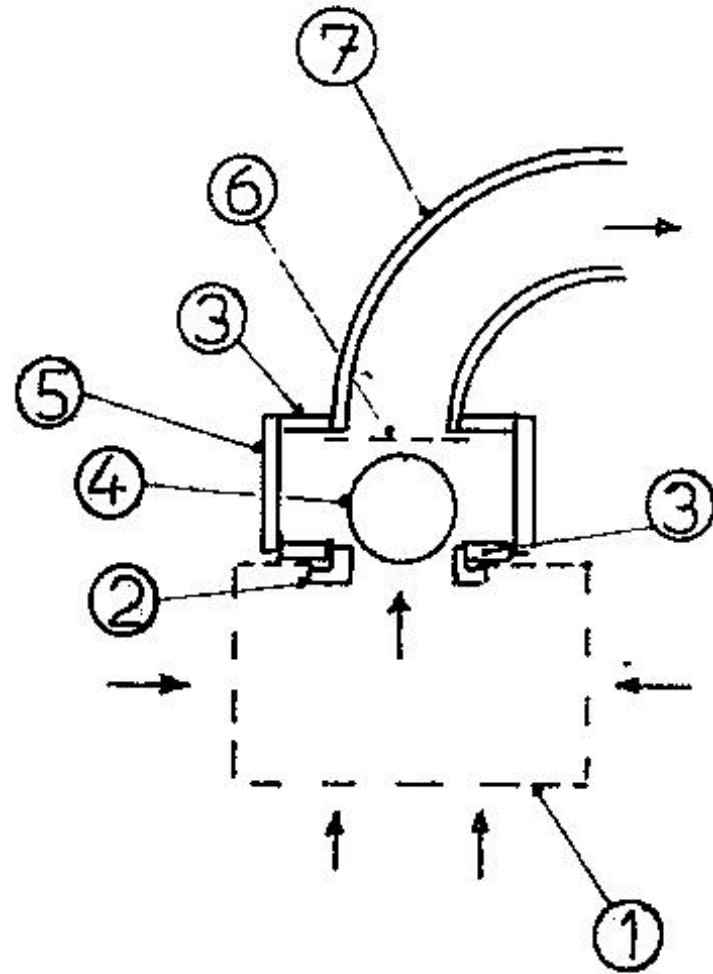


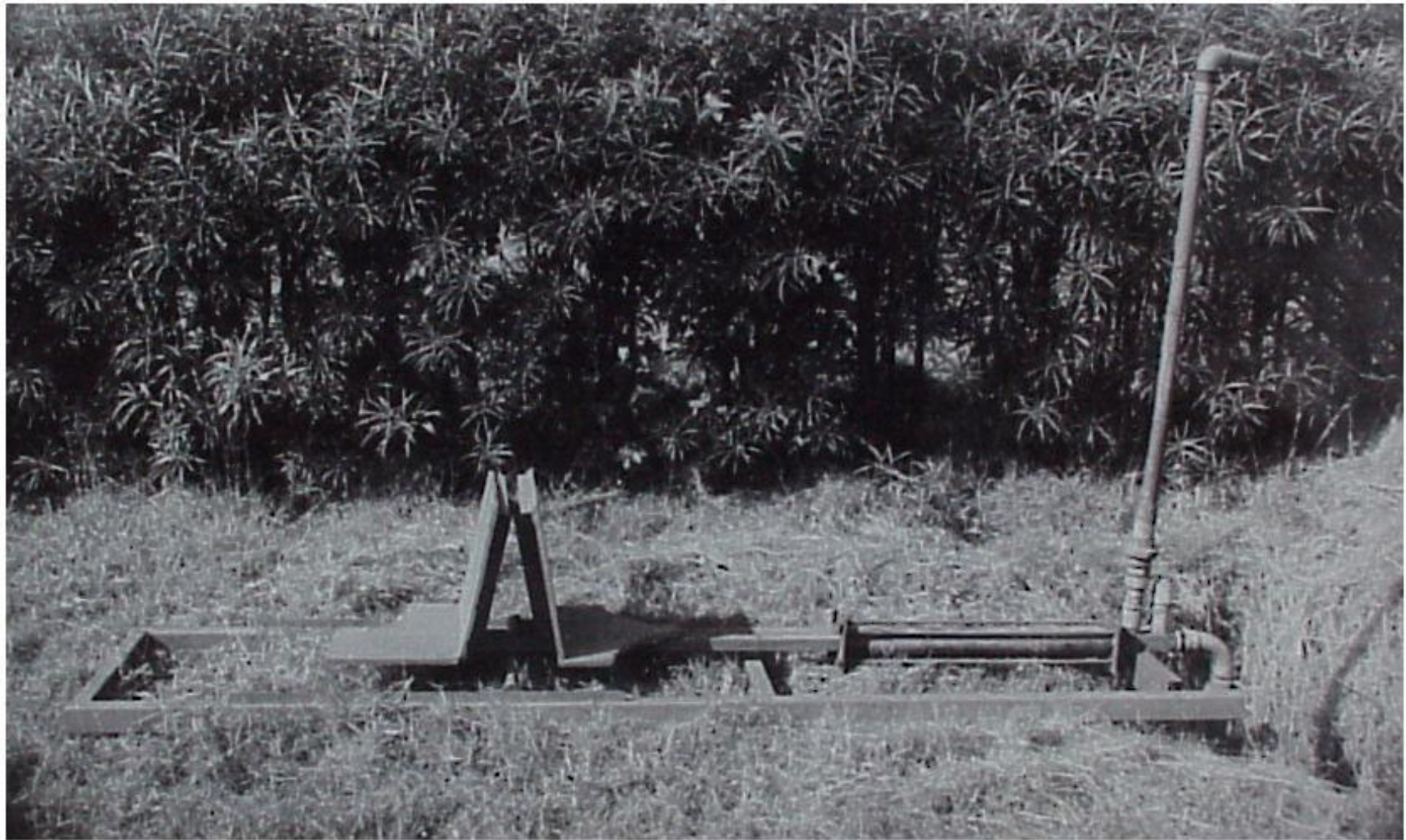


M12











*Old but new technology: A simple solar reflector makes an efficient cooking stove, and a bicycle built for two pumps irrigation water at a rate of three buckets per minute in demonstration projects at UNICEF's Village Technology Unit near Nairobi*

Thorning/UNICEF

Campbell/LPN

