

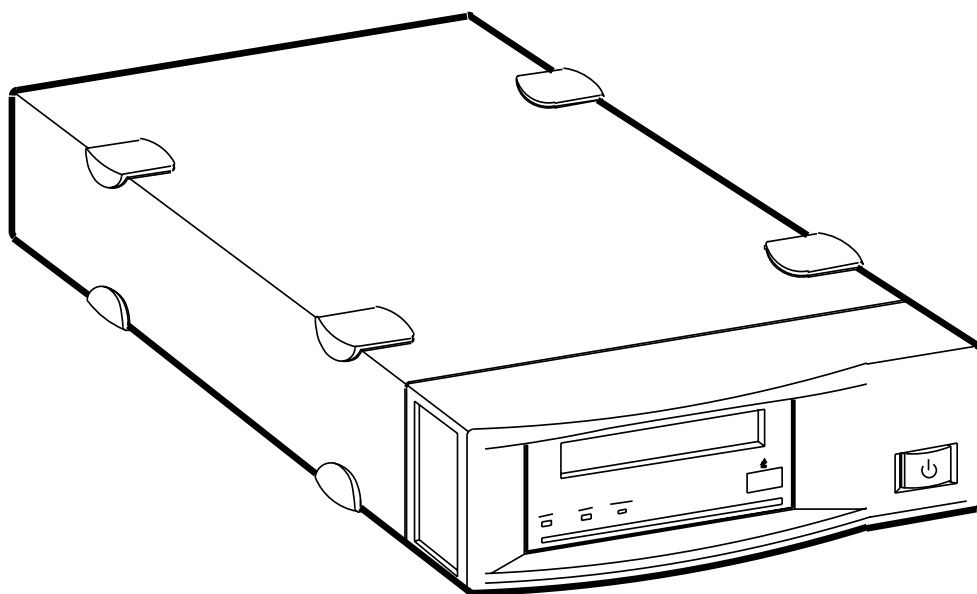
**SONY**<sup>®</sup>

3-867-807-01(1)

**SDT-S11000**

# *DDS Drive Unit*

---



Operator's Guide

---

# Safety Regulations

---

## Owner's Record

The model and serial numbers are located on the bottom. Record the serial number in the space provided below.

Refer to them whenever you call upon your Sony dealer regarding this product.

Model No. \_\_\_\_\_

Serial No. \_\_\_\_\_

---

## Information

### **WARNING**

**To prevent fire or shock hazard, do not expose the unit to rain or moisture.**

**To avoid electrical shock, do not open the cabinet. Refer servicing to qualified personnel only.**

*For the customers in the U.S.A.*

You are cautioned that any changes or modifications not expressly approved in this manual could void your authority to operate this equipment.

### **WARNING**

**Note:** This equipment has been tested and found to comply with the limits for a Class B digital device, pursuant to Part 15 of the FCC Rules. These limits are designed to provide reasonable protection against harmful interference in a residential installation. This equipment generates, uses and can radiate radio frequency energy and, if not installed and used in accordance with the instructions, may cause harmful interference to radio communications. However, there is no guarantee that interference will not occur in a particular installation. If this equipment does cause harmful interference to radio or television reception, which can be determined by turning the equipment off and on, the user is encouraged to try to correct the interference by one or more of the following measures:

- Reorient or relocate the receiving antenna
- Increase the separation between the equipment and receiver.
- Connect the equipment into an outlet on a circuit different from that to which the receiver is connected.
- Consult the dealer or an experienced radio/TV technician for help.

**NOTICE**

THIS NOTICE IS APPLICABLE FOR USA AND CANADA ONLY.

If shipped to USA, use the UL LISTED power cord specified below for 220-240 V operation.

If shipped to CANADA, use the CSA CERTIFIED power cord specified below for 220-240 V operation.

**DO NOT USE ANY OTHER POWER CORD**

Plug Cap	Tandem blade with ground pin. (NEMA 6-15P Configuration)
Cord	Type SVT or SJT, three 16 or 18 AWG wires.
Length	Maximum 14.7 feet (4.5m)
Rating	Minimum 10A, 250 V

**NOTICE**

This notice is applicable for countries other than USA and Canada.

In the countries other than USA and Canada, use the power cord set approved by the appropriate testing organization for the specific countries where this unit is to be used.

# Table of Contents

How to Use this Guide	5
<b>Part 1. Introduction</b>	<b>6</b>
About DDS Drives	6
Features .....	6
Useable Cartridges .....	7
System Components .....	7
Part Names and Functions	8
Front panel .....	8
Rear Panel .....	10
<b>Part 2. Preparation</b>	<b>11</b>
Supplied Items	11
Interconnections	11
SCSI ID Setting	12
<b>Part 3. Operation</b>	<b>13</b>
How to use the DDS Drive	13
Cartridge Removal .....	14
<b>Part 4. Care and Maintenance</b>	<b>15</b>
Taking Care of the Drive	15
Safety Considerations .....	15
Avoiding Damage .....	15
Taking Care of Cartridges	17
Use Precautions .....	17
Storage Precautions .....	17
Head Cleaning	18
How to Clean .....	18
<b>Appendix</b>	<b>19</b>
Specifications (SDT-S11000)	19

---

# How to Use this Guide

This Guide describes the DDS Drive Unit SDT-S11000 , and how to take care of it. Please read it carefully before using the unit, and keep it handy for future reference.

The Guide consists of four parts, plus the specifications. Refer to the parts that relate to your use of the drive.

**Part 1** describes the features of the drive, its system components, and the name and function of each part.

**Part 2** describes the necessary connections between the drive and the host computer. If other SCSI devices are being used, you may need to change the SCSI ID setting. Read this part if you are installing the drive.

**Part 3** describes how to use the drive, including how to turn it on, and how to insert and remove cartridges. Read this part if you are going to operate the drive.

**Part 4** describes how to take care of the drive and cartridges, and how to clean the drive heads. Read this part before using the drive.

**The Specifications appendix** provides the major specifications of the SDT-S11000.

# Part 1. Introduction

---

## About DDS Drives

The SDT-S11000 is an external DDS drive unit that uses data cartridges conforming to the DDS-4 format.

---

### Features

The DDS Drive Unit SDT-S11000 has the following features:

- The Digital Data Storage format provides a huge data storage capacity on DDS-1/DDS-2/DDS-3/DDS-4 data cartridges.
- Read After Write Function and third-level error correction code guarantee high data reliability.
- Data compression provides 40 gigabytes of storage on 150 m tape-length cartridge.\*<sup>1</sup>  
The native capacity is 20 gigabytes of storage on 150 m tape-length cartridge.
- Stored data are automatically checked for compression.
- Embedded wide ultra SCSI interface.  
(LVD/SE automatically switchable)
- Supports SCSI-2 sequential-access devices command set.
- Read/Write operation is available with DDS-1, DDS-2, DDS-3 and DDS-4 formats.

\*<sup>1</sup> This is assuming 2 : 1 compression ratio.  
The degree of data compression attained while recording data varies according to system environment and data type.

---

## Useable Cartridges

Data cartridges used with the SDT-S11000 must be marked with the DDS, DDS-2, DDS-3 or DDS-4 logo.



### CAUTION:

Be sure to use only the cartridges designed specifically for DDS (do not use DAT cartridges for music).

---

## System Components

The SDT-S11000 connects to the host computer via a wide ultra SCSI interface.

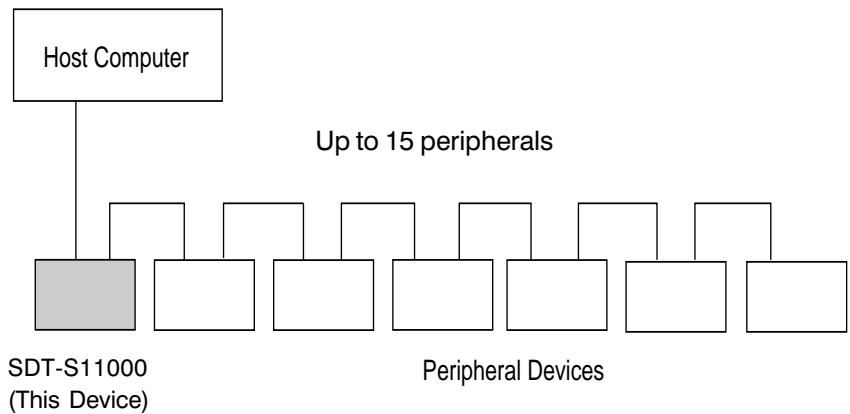


Figure 1-1. Example of System Components

# Part Names and Functions

## Front panel

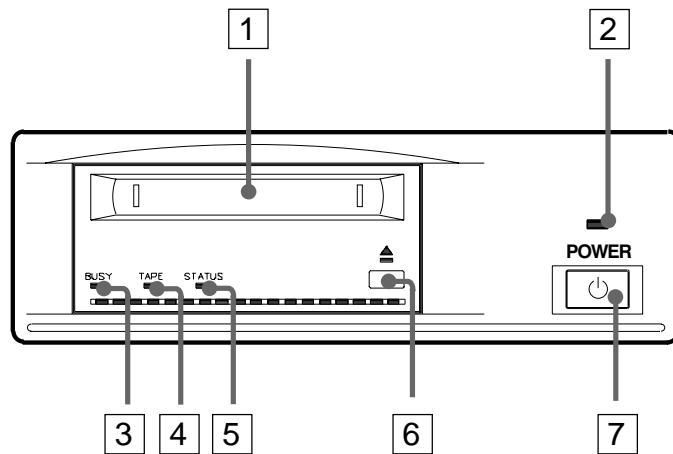


Figure 1-2. Front panel

- 1 DDS Data Cartridge Receptacle**  
See page 13 for information on inserting and removing a DDS data cartridge.
- 2 POWER Indicator**  
Lights while the drive is on.
- 3 BUSY Indicator**  
Lights when data is being transferred through the SCSI interface. This indicator also lights under the following conditions:

Drive is reading or writing normally:	repeated blinking (same on-off interval).
---------------------------------------	---
- 4 TAPE Indicator**  
When a DDS cartridge is installed, this indicator lights. This also lights under the following conditions:

Inserting and removing a cartridge:	repeated blinking (same on-off interval).
Cartridge deteriorated:	alternating long-short blinking.



**5 STATUS Indicator**

Lights when an inserted cartridge is write-protected. This indicator also lights under the following conditions:

Drive needs cleaning:	repeating long-on, short-off blinking.
End of Tape during cleaning:	repeating blinking (same on-off interval).
Drive Malfunctioning:	repeating short-on (once or twice), long-off blinking.

**6 EJECT Button**

Push to remove a data cartridge from the drive.

**7 POWER Switch**

Press to turn the drive on or off.

---

## Rear Panel

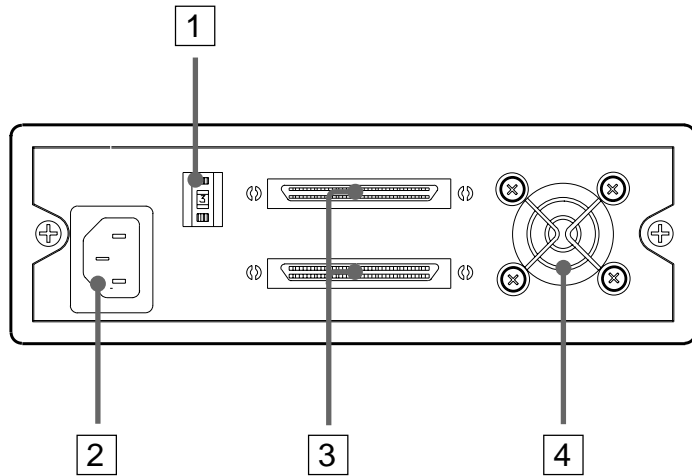


Figure 1-3. Rear Panel

- 1 Rotary Selector Switch**  
SCSIID selector.
- 2 AC IN Connector**  
Connect the supplied power cable here.
- 3 SCSI Connector**  
Connects to the SCSI bus connector of the host computer or another SCSI peripheral.
- 4 Cooling Fan**

# Part 2. Preparation

After you confirm that you have all of the required accessories for your installation, connect the drive to the host computer, and select the SCSI ID with the rotary switch on the rear panel.

## Supplied Items

When you first open the box, make sure it contains the following items. Contact your supplier if anything is missing or broken.

- DDS Drive Unit
- Power Cable
- This Guide

## Interconnections

The SCSI bus allows connection of up to fifteen peripherals to the host computer. Use a SCSI cable with a 68 pin connector.

### Precautions

- Switch off the host computer and peripherals before connecting the SCSI cable.
- Make sure the SCSI connectors are pressed tightly together.
- If this unit is the last (or only) device on the SCSI bus, make sure to connect a SCSI bus terminator to the open connector.
- The total length of the SCSI cable(s) between the host computer and the last device should be less than 3 meters.\*<sup>1</sup>
- To set up the LVD configuration, you need:
  - 1) Host PC with the LVD SCSI Board, 2) only LVD devices on the SCSI bus, and 3) LVD/SE switchable terminator.

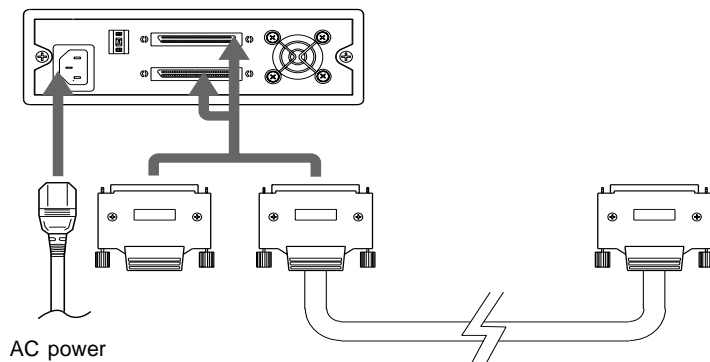


Figure 2-1 Interconnections

\*<sup>1</sup> When using high-speed data transfer with the SDT-S11000, it is recommended that total length of the SCSI cable not exceed 1.5 m (SE) or 12 m (LVD).

---

# SCSI ID Setting

The SCSI ID is set by the rotary switch on the rear panel. Press the + or - buttons to move the number up or down, respectively.

As shipped from the factory, the SCSI ID is set to 0. Press the switch buttons, if necessary, to select the SCSI ID number you require.

## Precautions

- The SCSI ID must be different from IDs of the other peripherals on the SCSI bus.
- As shipped from the factory, SCSI parity is enabled and Term power is ON. **A SCSI bus terminator must be connected to the SCSI bus before use.**
- Before changing the SCSI ID setting, be sure to turn off the power with the POWER switch on the front panel.

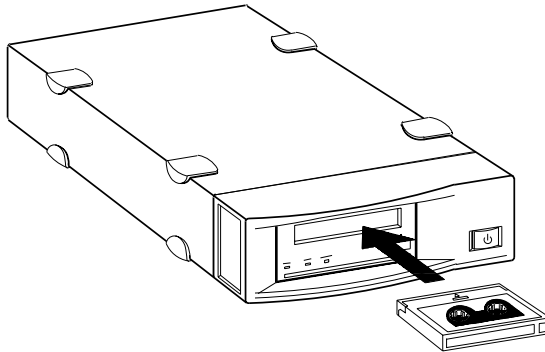
# Part 3. Operation

This section describes how to use the DDS drive, and how to handle data cartridges.

---

## How to use the DDS Drive

- 1 Press the POWER switch on the front panel.  
The POWER indicator should light, and the STATUS, BUSY and TAPE indicators should blink as the self-test is performed.
- 2 When the three indicators stop blinking, you can insert a data cartridge as shown below. The TAPE indicator will blink, and if the cartridge is write-protected, the STATUS indicator will light.



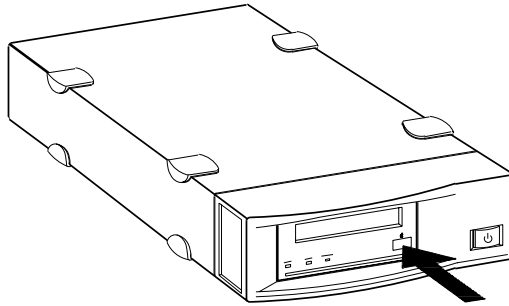
**Figure 3-1. Inserting a data cartridge**

- 3 Computer software controls the reading and writing of tapes. While reading or writing, the BUSY indicator blinks.

---

## Cartridge Removal

Press the EJECT button.  
The cartridge ejects automatically.



**Figure 3-2. Press the EJECT button**

### **Caution**

Do not push the EJECT button while the BUSY indicator is blinking: to do so may destroy data on the tape.

# Part 4. Care and Maintenance

---

## Taking Care of the Drive

---

### Safety Considerations

#### ■ Power

- Be sure to use only 100-240 V AC.
- Avoid plugging into the same outlet as high-current equipment like copiers or shredders.

#### ■ Power Cable Precautions

- Do not crush the cable or place heavy items on it. If the cable insulation appears worn or broken, do not use the cable.
- Always unplug the cable by holding the plug: never pull the cable itself, as it will break.
- If the drive is not being used for a long time, unplug the cable from the outlet.

---

### Avoiding Damage

#### ■ Avoid shock and vibration

Intense shock, such as from dropping the drive, will damage it.

#### ■ Environmental considerations

Do not store or use the drive in locations subject to:

- high humidity
- excessive dust
- high temperature
- intense vibration
- direct sunlight
- sudden changes in temperature

#### ■ Proper ventilation

To avoid overheating, install the drive where it will have free air circulation around the case, and do not cover it during operation. The drive can malfunction if the internal temperature rises too high.

#### ■ Avoid sudden changes in temperature

If the drive is moved from a cool place to a warm place, or if the room temperature suddenly rises, moisture may condense inside the case. After a sudden change in temperature, wait at least one hour before turning the drive on. If the drive is turned on with condensation inside, and a cartridge is installed, the drive or the tape can be damaged.

### ■ **Abnormal occurrences**

If the drive behaves abnormally, or if it begins to smell or smoke, immediately unplug it from the wall outlet and contact your supplier for assistance.

### ■ **Cabinet cleaning**

Wipe the cabinet with a soft dry cloth. For heavy dirt, wipe with a soft cloth moistened with a gentle liquid soap, then wipe again with a soft dry cloth. Do not use alcohol, paint thinner, bug sprays or other volatile solvents, as they can damage the finish.



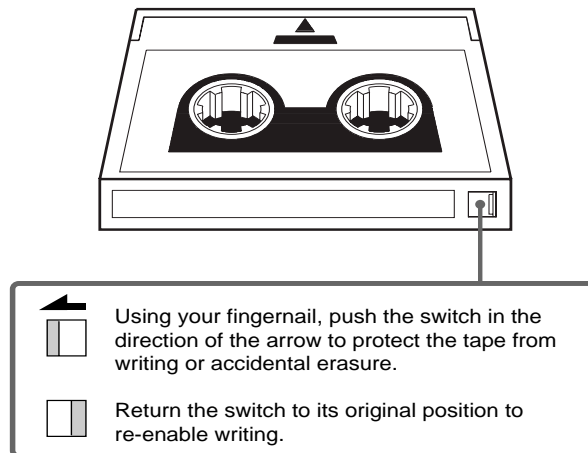
---

# Taking Care of Cartridges

---

## Use Precautions

- Avoid heavy vibration and dropping.
- The shutter on the face of the cartridge is opened automatically when it is inserted into the drive. Do not open the shutter by hand, as touching the tape may damage it.
- The cartridge was carefully aligned during assembly at the factory. Please do not try to open it or take it apart.
- The write-protect switch on the face of the cartridge prevents the tape from being written to or accidentally erased. If you do not need to write to the tape, move this switch to the write-protect position (in the direction of the arrow).



**Figure 4-1. Write-protect switch**

- In case of a sudden change in temperature, condensation may interfere with reading and writing to a tape.
- Avoid unnecessary insertion and removal of cartridges if you do not need to write or read a tape.
- When finished using the drive, remove the cartridge.

---

## Storage Precautions

- Keep cartridges in their cases when not in the drive.
- Avoid storing cartridges in dusty places, in direct sunlight, near heaters or air conditioners, or in humid locations.
- Do not place cartridges on the dashboard or in a storage tray in a car.

---

# Head Cleaning

To keep the DDS drive in top condition, clean the head as needed, using the proper head cleaning cartridge (sold separately). When the head needs cleaning, the STATUS indicator will blink.

---

## How to Clean

- 1 Insert the head cleaning cartridge (DGD15CL) into the DDS Data cartridge receptacle. Cleaning starts automatically.
- 2 After about 10 seconds, cleaning will stop and the cartridge will eject automatically.  
One head cleaning cartridge can be used about 90 times.

**Notice:**

Do not rewind the cleaning cartridge and reuse it. When you reach the end of the cartridge, dispose it and buy a new one.

## Specifications (SDT-S11000)

### ■ Performance

Storage Capacity	40 GB compressed (with 150 m DDS-4 tape)* <sup>1</sup> 20 GB uncompressed (with 150 m DDS-4 tape)
Bit Error Rate	less than 10 <sup>-15</sup>
Data Transfer Rate (TAPE)	1.18 MB/s uncompressed 2.36 to 4.72 MB/s compressed
Burst Data Transfer Rate (SCSI)	14 MB/s maximum, asynchronous 40 MB/s maximum, synchronous
Initialize Time	less than 1 seconds
Load Time	less than 24 seconds
Unload Time	less than 20 seconds
Rewind Time	less than 80 seconds (with 150 m tape)

### ■ Operating Environment

Operating	Temperature: 10 to 35 °C Humidity: 30 to 80% (no condensation)
Non-Operating	Maximum wet bulb temperature: 26 °C Temperature: -40 to +70 °C Humidity: 10 to 90%

### ■ Power Supply & Miscellaneous

Power Supply	100 to 240 V AC, 50/60 Hz 1.2 A
Case Dimensions	198 x 64.5 x 256 mm (W x H x D) (excluding protruding parts)
Weight	2.3 kg
Accessories	Power Cable (1) User's Guide (1)

Specifications may be subject to change, in the interest of technological improvement, without notice or obligation.

\*<sup>1</sup> This is assuming 2 : 1 compression ratio.  
The degree of data compression attained while recording data varies according to system environment and data type.

---

SDT-S11000

# **DDS Drive Unit**

Operator's Guide