

MEMOREX

**651 Flexible Disc File
Logic Diagram Manual**

DATE	CHANGE NO.	DATE	CHANGE NO.	204166
MAR 72	2510	OCT 74	21254	RELEASED FOR ASSEMBLY
MAY 72	2616	FEB 75	21271	
JUN 73	21066	SEP 75	21274	
JUL 74	21217	APR 76	21280	
		APR 76	21282	

READ/WRITE 651 LOGIC MANUAL INDEX

EC LEVEL	PAGE NO.	PAGE NAME
21274	FD010	INDEX
2510	FD020	FUNCTIONAL DIAGRAM
21076	FD030	TIMING DIAGRAM
21091	FD100	INPUT/OUTPUT
21217	FD200	TRANSDUCERS
21274	FD300	CONTROL LOGIC
21274	FJ310	READ LOGIC
21274	FD320	WRITE LOGIC
2732	FD400	MOTORS AND ACTUATORS
2616	FD600	PARTS LOCATOR (FRONT VIEW)
2616	FD610	PARTS LOCATOR (REAR VIEW)
2732	FD700	PIN LOCATORS
21274, 21271, 21081, 21082, 21254, 21282, 21280 <input type="checkbox"/>	FD500	CONTROL SCHEMATIC DIAGRAM
21274, 21271, 21081, 21082, 21254, 21282, 21280 <input type="checkbox"/>	FD510	READ SCHEMATIC DIAGRAM
21274, 21271, 21081, 21082, 21254, 21282, 21280 <input type="checkbox"/>	FD520	WRITE SCHEMATIC DIAGRAM

NOTES, UNLESS OTHERWISE SPECIFIED:

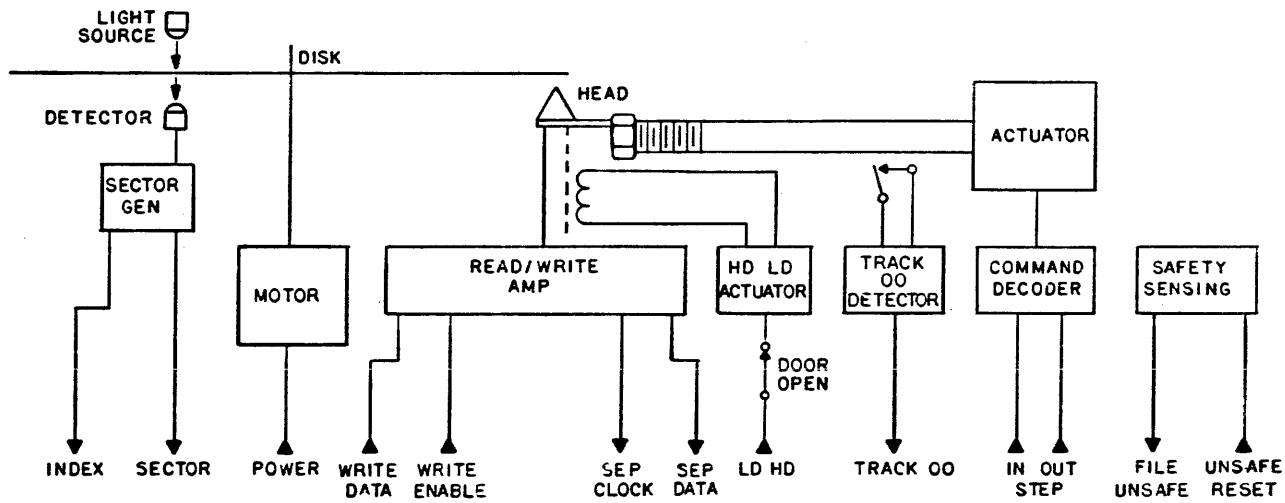
SEPARATE SHEETS FOR EC 21280 ARE NOT PROVIDED; THIS INFORMATION IS INCLUDED IN EC 21282 SHEETS.

MEMOREX EQUIPMENT GROUP	
NAME LOGIC MANUAL INDEX	
READ/WRITE 651	
DESIGN	SCALE NC:1E
DETAIL	DATE 3/27/73
MAX. CHECK	3/27/73
MAX. APPROV	3/27/73
204166	

FD010

204168

FD FUNCTIONAL DIAGRAM READ/WRITE



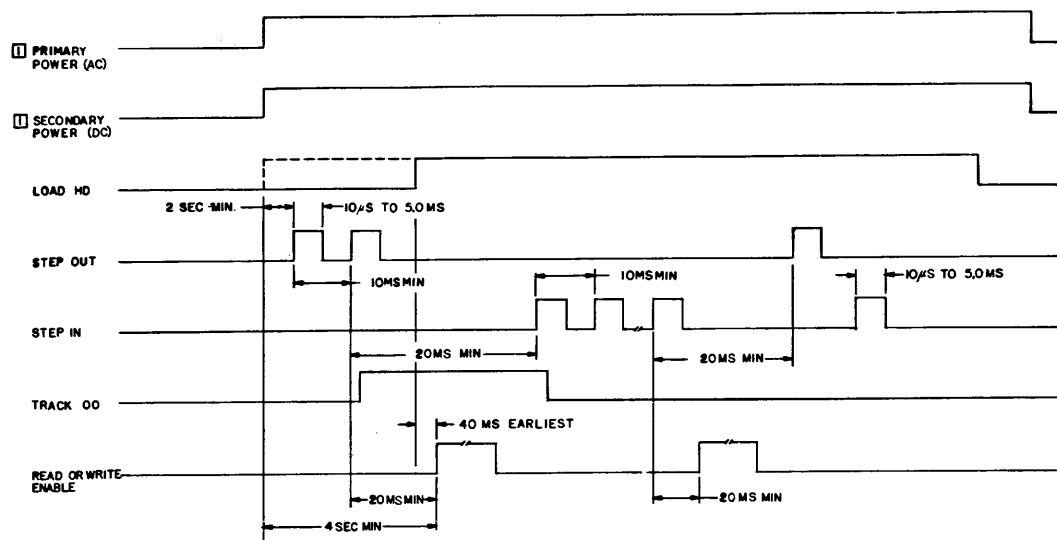
204168

FDO20

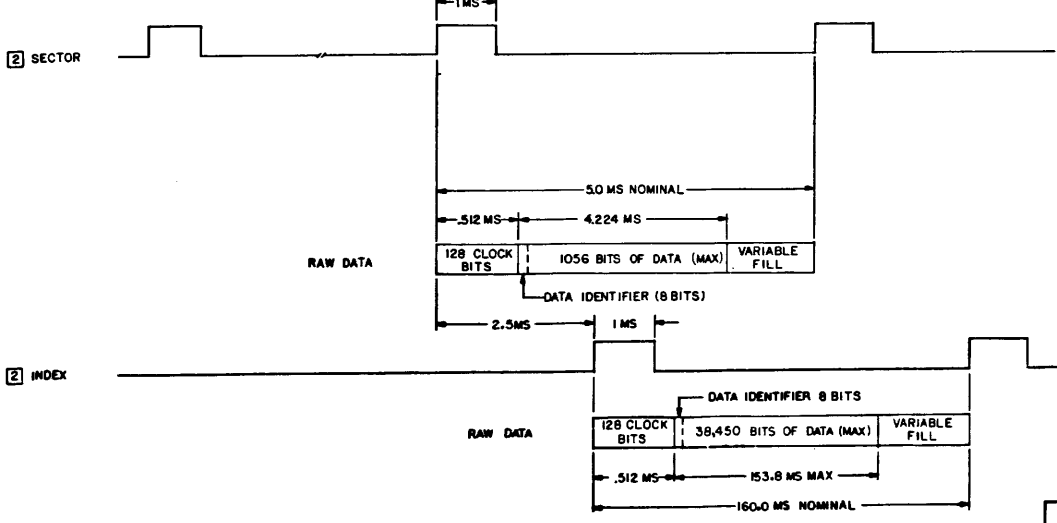
DATE	CHANGE NO.	DATE	CHANGE NO.	TECHNICAL APPROVAL	MEMOREX EQUIPMENT GROUP
MAR 72	2510				NAME : SYSTEM LOGIC DIAGRAM
					FUNCTIONAL DIAGRAM
					DESIGN
					DETAIL <i>G.W.</i> 5-72
					CHECK <i>A.W.</i> 5-27-72
					APPROV <i>J.E.C.</i> 3/27/72
					204168

204170

SEQUENCE TIMING



READ OR WRITE TIMING



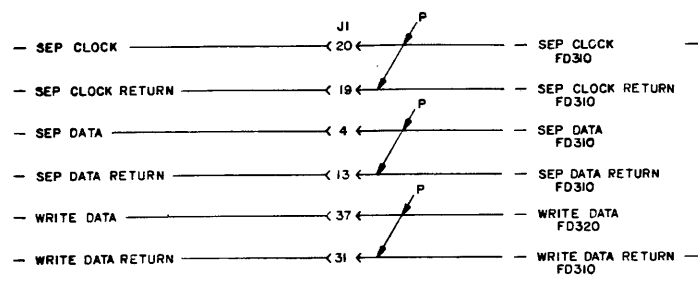
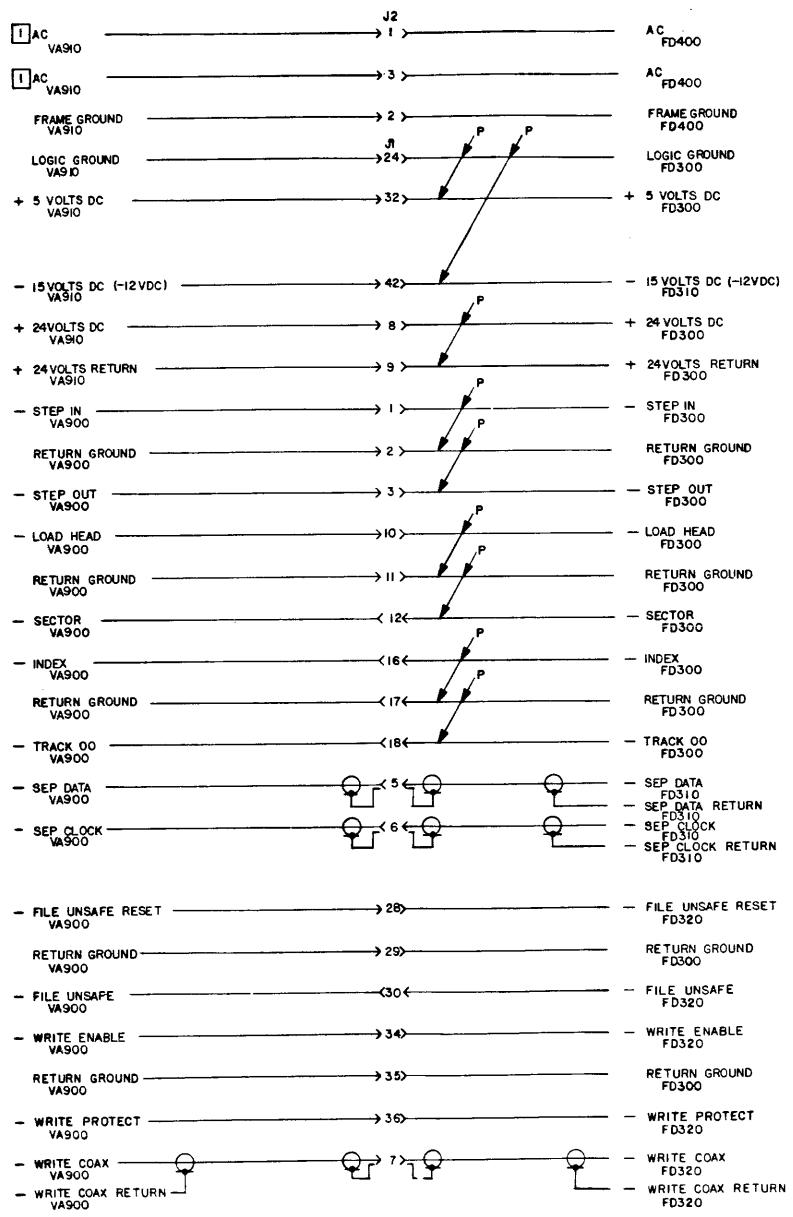
NOTE: ① POWER SHALL BE OFF WHEN NOT IN USE.
② BOTH SECTOR AND INDEX FORMATS ARE SHOWN. USER MUST SELECT ONE OF THE FORMATS FOR HIS APPLICATION.

DATE	CHANGE NO.	DATE	CHANGE NO.	TECHNICAL APPROVAL	MEMOREX EQUIPMENT GROUP
MAR 72	2510				NAME: TIMING DIAGRAM
NOV 73	21076				PEAD/WRITE - 651
					DESIGN: MB JUL 71
					CHECK: JWC 5-27-72
					APPRO: JFC 3/17/72

FD030

D

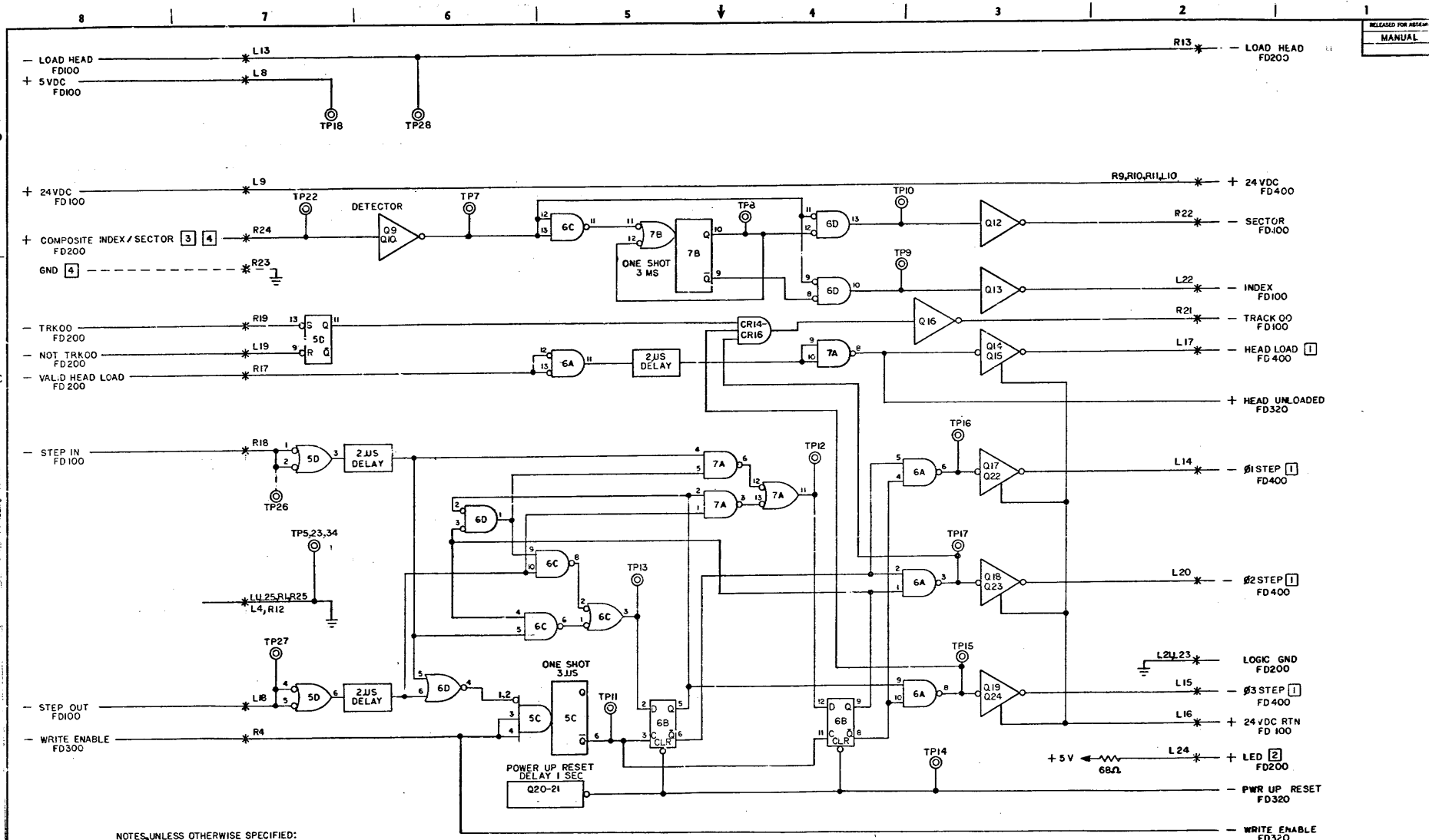
204169



- NOTES:
- 1 110 VAC OR 220 VAC IS USER SELECTED OPTION.
 - 2 THIS CONFIGURATION APPLIES TO DRIVES WITH THE TWISTED PAIR FEATURE.

FD100

DATE	CHANGE NO.	DATE	CHANGE NO.	TECHNICAL APPROVAL	MEMOREX EQUIPMENT GROUP
MAR 72 2510					NAME: SYSTEM LOGIC DIAGRAM
JUN 72 2732					INPUT/OUTPUT - R/W
FEB 73 21051					DESIGNER
DEC 73 21051					DETAIL: MB JUL 71
					CHECK: AW 3 272
					APPRO: 204169



NOTES, UNLESS OTHERWISE SPECIFIED:
 [1] +24VOLTS FALSE, +1VOLT TRUE.
 [2] APPROX +1.3 VOLTS.
 [3] ANALOG SIGNAL APPROX .7V PEAK.
 [4] APPLIES TO PCB ASM 12126 AT EC21217 OR HIGHER

(SHEET 1 OF 3)

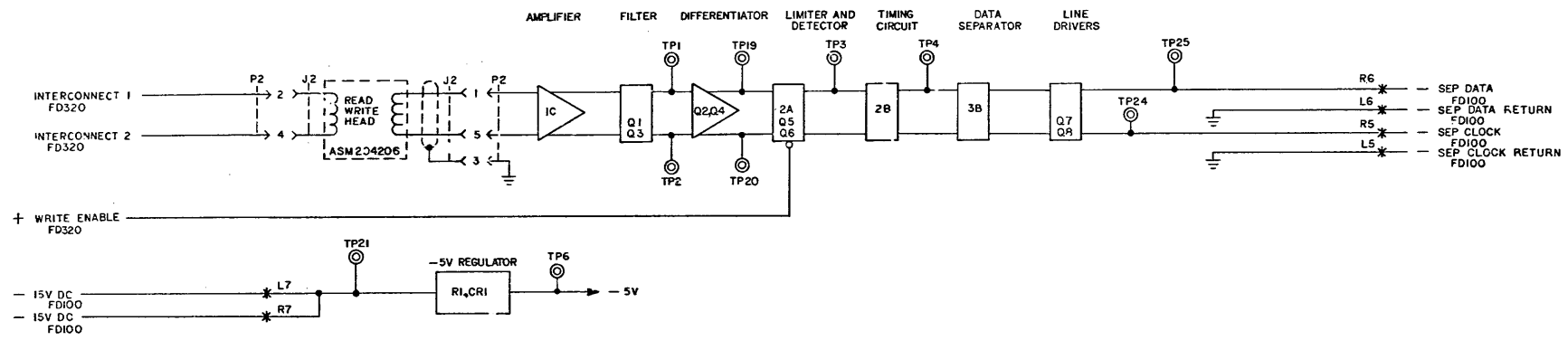
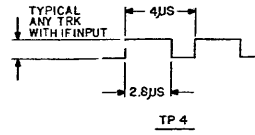
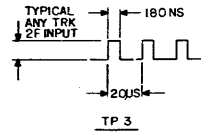
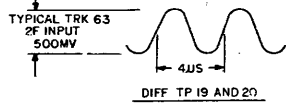
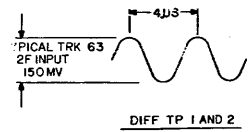
DATE	CHANGE NO.	DATE	CHANGE NO.	TECHNICAL APPROVAL	MEMOREX EQUIPMENT SRC.
APR-72	2562				NAME SYSTEM LOGIC DIAGRAM
MAR-73	21051				READ/WRITE/ACCESS
JUL-74	21217				DESIGN
SEP-75	21274				DETAIL 1-28-72
					CHECK R. Dec 2-1-72
					APPROV JFC 5-4-72

FD 300

D

204172

8 7 6 5 4 3 2 1

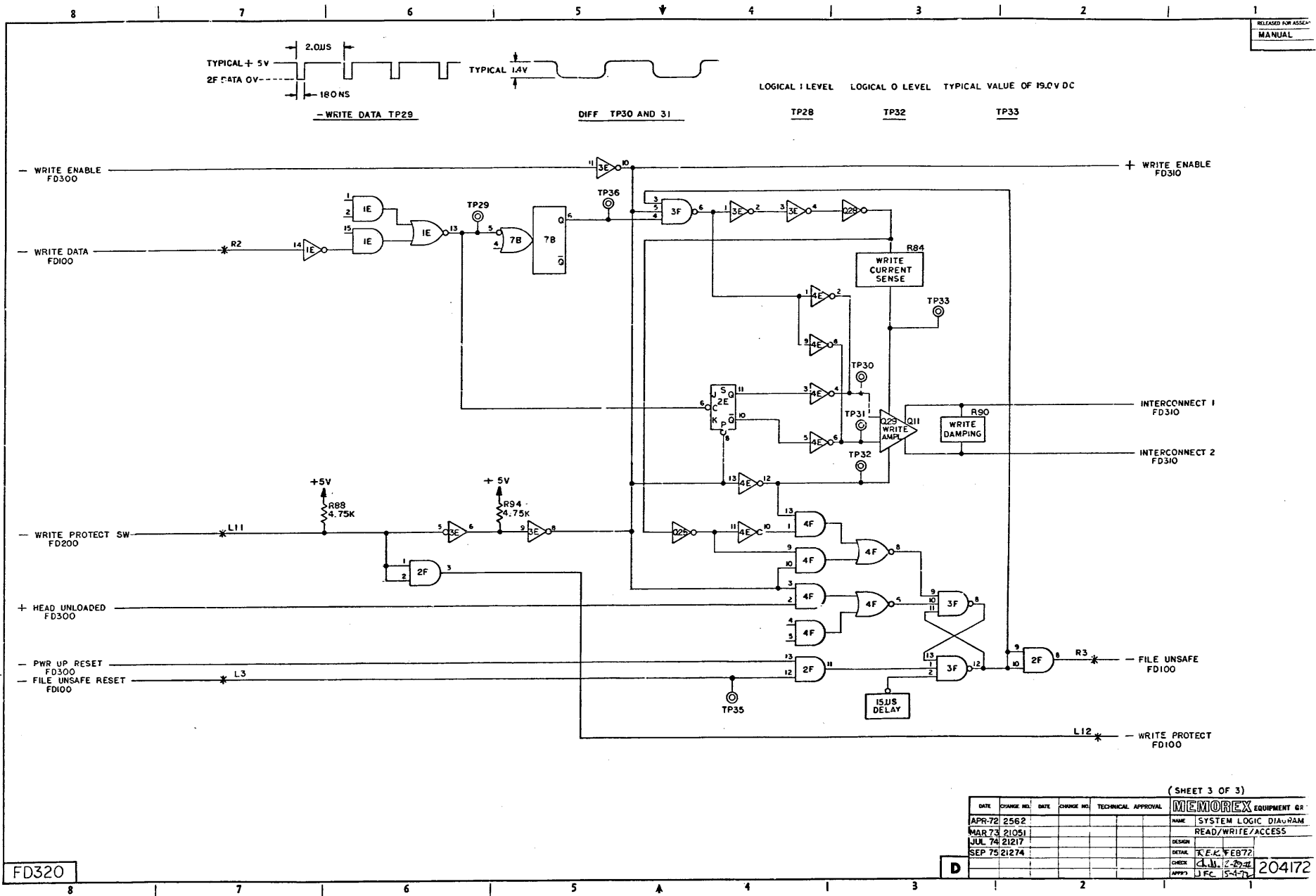


(SHEET 2 OF 3)

DATE	CHANGE NO.	DATE	CHANGE NO.	TECHNICAL APPROVAL	MEMOREX EQUIPMENT
APR 72	2562				NAME SYSTEM LOGIC DIAGRAM
MAR 73	21051				READ/WRITE/ACCESS
JUL 74	21217				DESIGN 1-31-74
SEP 75	21274				DETAIL 1-31-72
					CHECK R. J. C. 1-31-72
					APPRO J. F. C. 1-31-72

D 204172

8 7 6 5 4 3 2 1



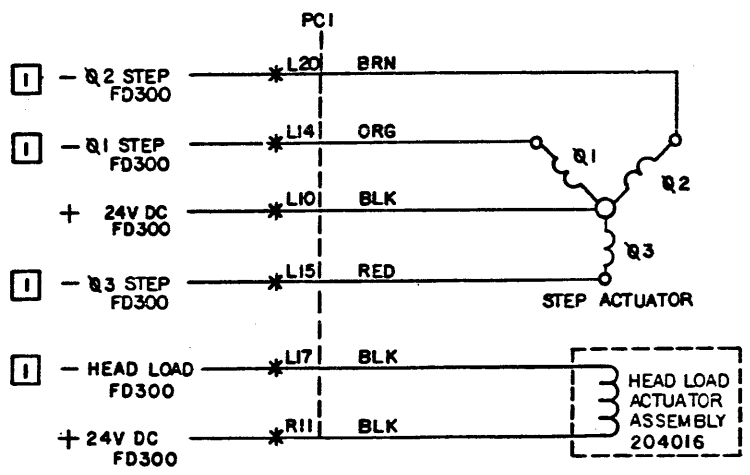
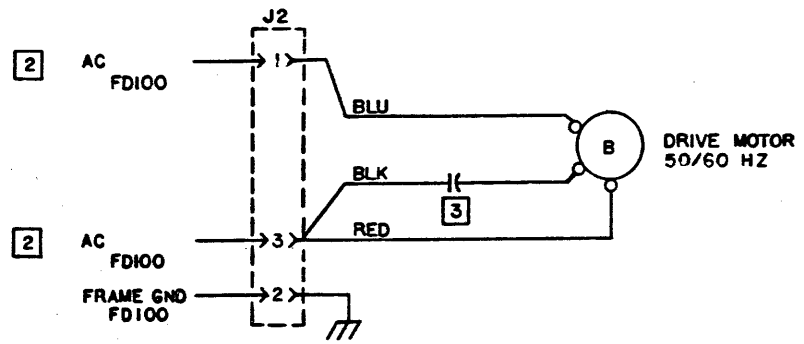
(SHEET 3 OF 3)

DATE	CHANGE NO.	DATE	CHANGE NO.	TECHNICAL APPROVAL	MEMOREX EQUIPMENT GR
APR-72	2562				NAME SYSTEM LOGIC DIAGRAM
MAR 73	21051				READ/WRITE/ACCESS
JUL 74	21217				DESIGN
SEP 75	21274				DRAWN K.E.K. FEB 77
					CHECK [Signature] 15-4-77
					APPROV J.F.C. 15-4-77

D 204172

FD320

204165



204165

NOTES: UNLESS OTHERWISE SPECIFIED:

- 1 +24V DC FALSE, +IV DC TRUE.
- 2 110V AC OR 220VAC IS USER SELECTED OPTION
- 3 CAPACITOR IS 5.0μF FOR 110V AND 3.0μF FOR 220V.

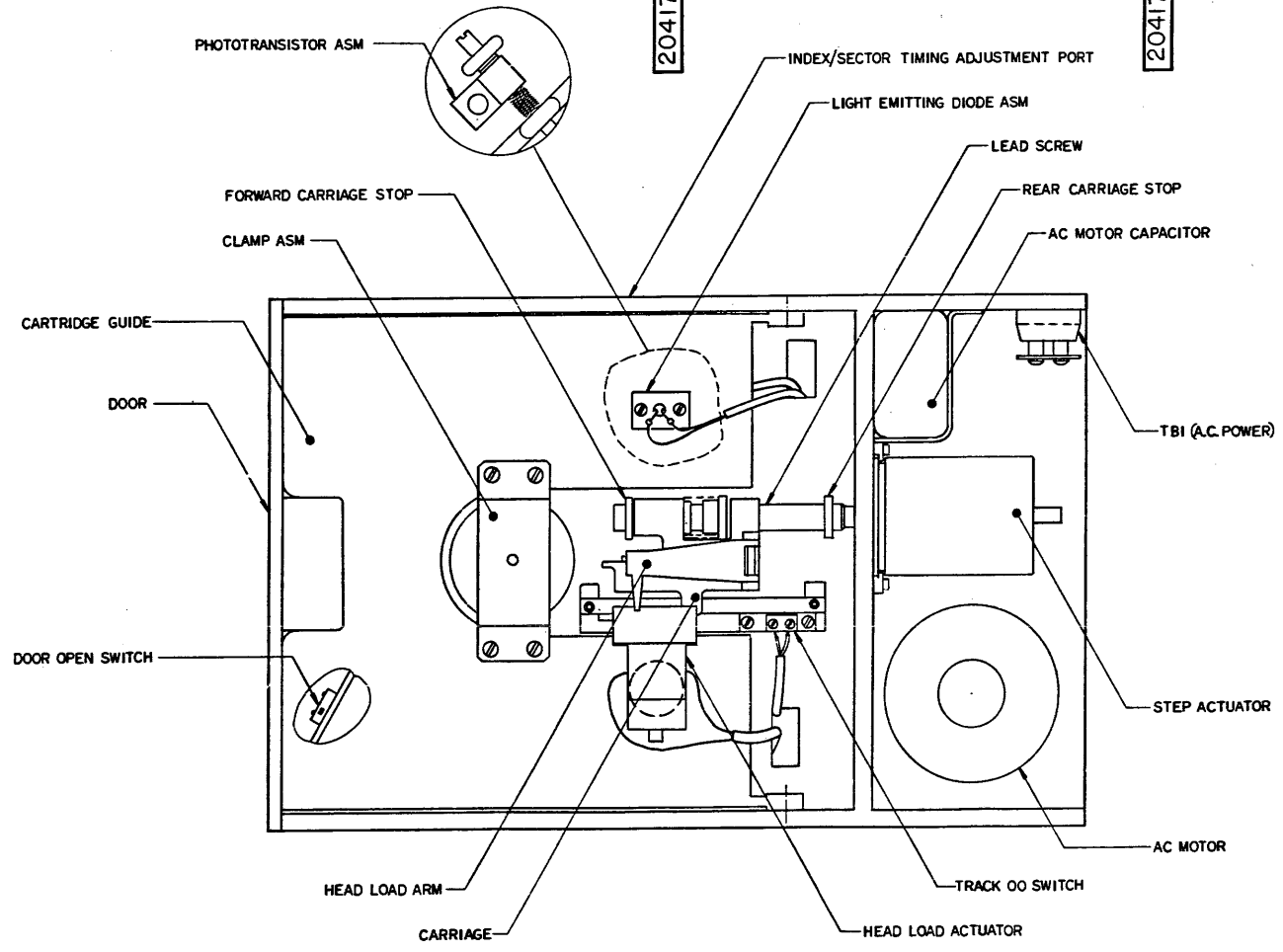
DATE	CHANGE NO.	DATE	CHANGE NO.	TECHNICAL APPROVAL	MEMOREX EQUIPMENT GROUP
MAR 72	2510				NAME SYSTEM LOGIC DIAGRAM
JUN 72	2732				MOTORS AND ACTUATORS
					DESIGN MCCLOY JAN '72
					DETAIL MCCLOY JAN '72
					CHECK R. J. C. 1-72
					APPRO JFC 3/27/72

FD400

C

204165

DATE	CHANGE NO.	DATE	CHANGE NO.	204173
MAY 72	2616			RELEASED FOR REVISION
				MANUAL



RIGHT SIDE VIEW

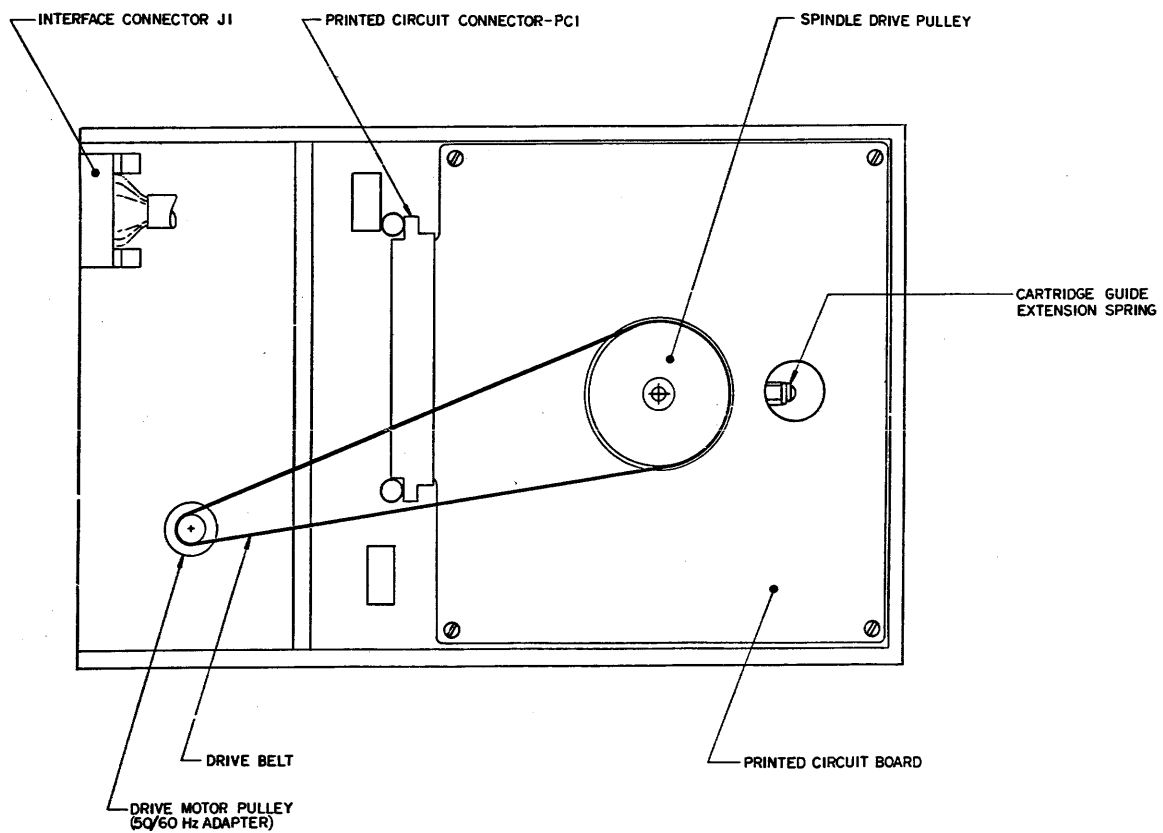
FD 600

MATERIAL	MUST CONFORM TO ENCL. SPEC. BROOD	TOLERANCE UNLESS OTHERWISE NOTED	MEMOREX EQUIPMENT GROUP
CASE DEPTH	TECHNICAL APPROVAL	LINEAR .001	NAME SYSTEM LOGIC DIAGRAM
SURFACES		ANGULAR .001	PART LOCATOR - RIGHT VIEW
SURFACE TREATMENT		COSMETIC DINGS BROKEN	SCALE
STD CODE		OUTSIDE	DATE 5/15/72
		INSIDE	CHECKED BY [Signature]
			DATE 5/15/72
			204173

DATE	CHANGE NO.	SIZE	CHECKED BY	204174
MAY 72	2616			RELEASED FOR ASSEMBLY
				MANUAL

204174

204174



LEFT SIDE VIEW

FD 610

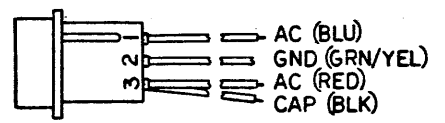
MATERIAL	MUST CONFORM TO ENCL. SPEC. UNLESS OTHERWISE NOTED	TOLERANCE UNLESS OTHERWISE NOTED	MEMOREX EQUIPMENT GROUP
CASE DEPTH	TECHNICAL APPROVAL	LINEAR ± .01	NAME SYSTEM LOGIC DIAGRAM
FINISHES		ANGULAR ± .01	PART LOCATOR - LEFT VIEW
SURFACE FINISHES		CORNERS (UNLESS OTHERWISE NOTED)	DESIGN
DRG. CODE		OUTSIDE	CHECKED
		INSIDE	APPROVED

204174

DATE	CHANGE NO.	DATE	CHANGE NO.	204167
MAR 72	2510			
JUN 72	2732			
				RELEASED FOR ASSEMBLY
				MANUAL

204167

J2 AC CONNECTOR



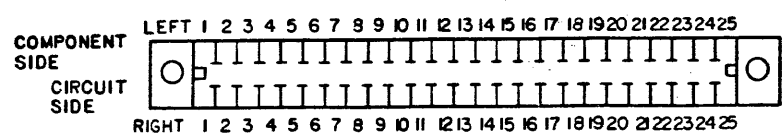
J1 INTERFACE CONNECTOR

- O34 O16 O1
- O28 O10
- O35 O17 O2
- O29 O11
- O36 O18 O3
- O30 O12
- O37 O19 O4
- O31 O13
- O20
- O38 O5
- O21
- O22
- O39 O6
- O23
- O24
- O40 O7
- O25
- O32 O14
- O41 O26 O8
- O33 O15
- O42 O27 O9

(VIEWED FROM REAR OF MACHINE)

204167

25 PIN PC CARD CONNECTOR (PCI)



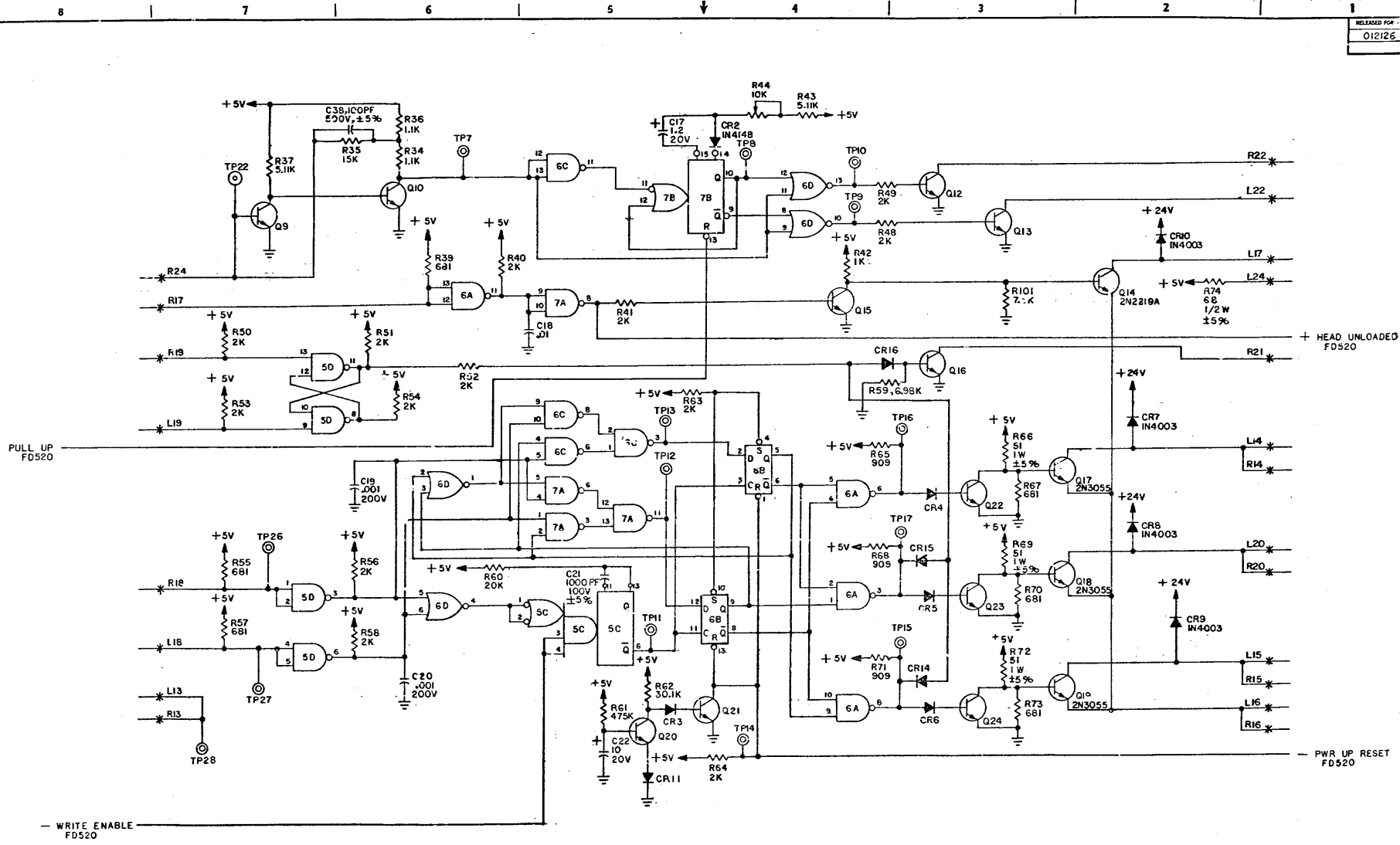
(VIEWED FROM CARD SIDE)

MATERIAL	_____	MUST CONFORM TO ENG. SPEC 88008	TOLERANCE UNLESS OTHERWISE NOTED	MEMOREX EQUIPMENT GROUP
CASE DEPTH	_____	TECHNICAL APPROVAL	LINEAR ± .XX _____	NAME SYSTEM LOGIC DIAGRAM
HARDNESS	_____		± .XXX _____	PIN LOCATORS
SURFACE TREATMENT	_____		ANGULAR ± _____	DESIGN _____
STD CODE	9030		CORNERS/EDGES BROKEN	SCALE NONE
			OUTSIDE _____	DETAIL <i>PLC</i> JAN-72
			INSIDE _____	CHECK <i>PLC</i> JAN-72
				APPRO <i>LFC</i> 3/2/72

FD700

C

204167



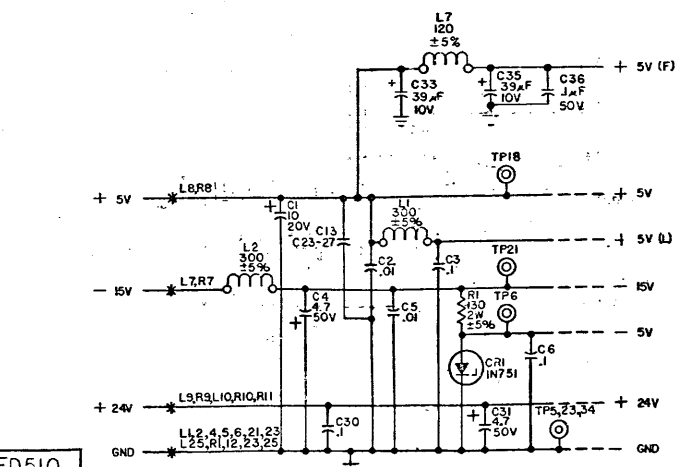
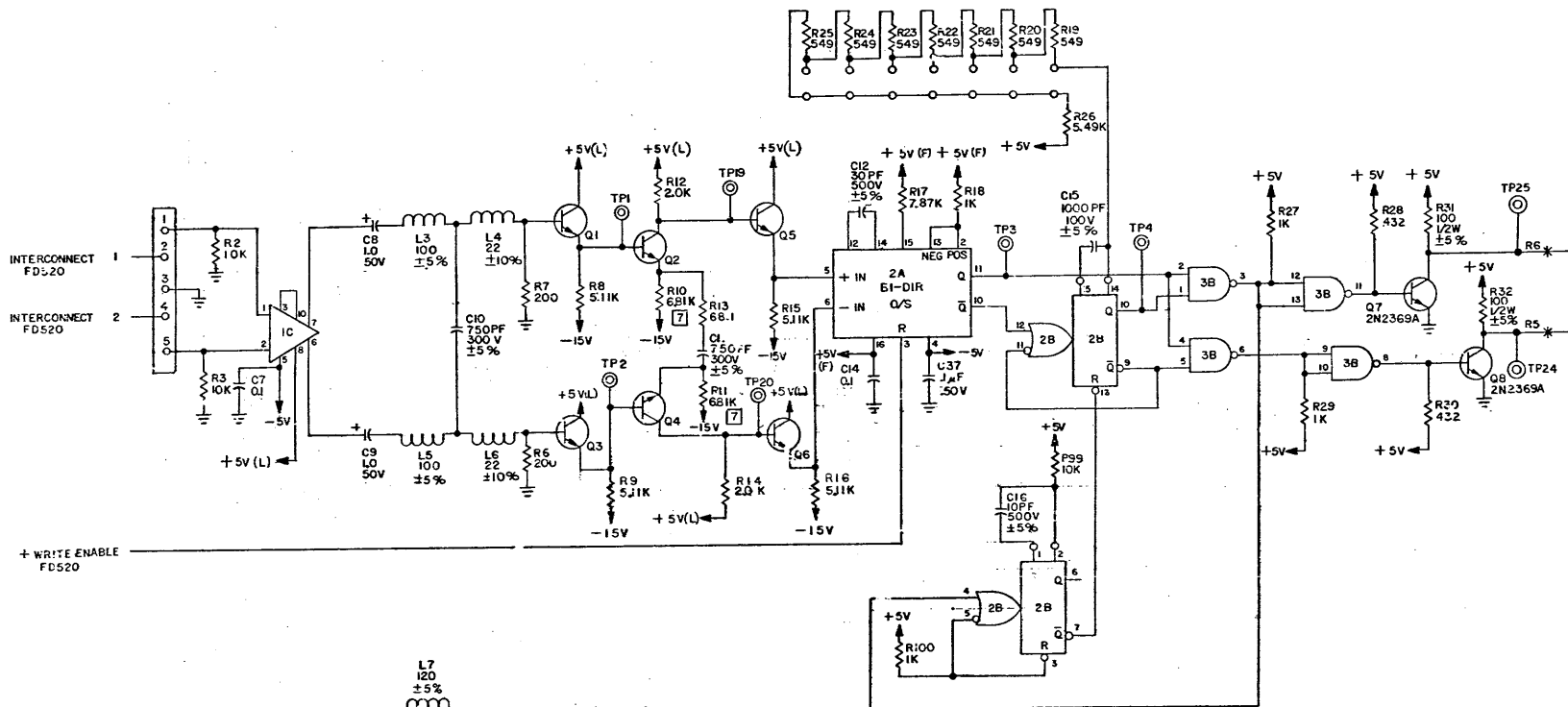
(SHEET 3 OF 3)

DATE	CHANGE NO.	DATE	CHANGE NO.	TECHNICAL APPROVAL	MEMOREX EQUIPMENT
MAR 73	21051	SEP 75	21274		NAME: SCHEMATIC DIAGRAM
NOV 73	21061				READ/WRITE/ACCESS
APR 74	21082				DESIGN
JUL 74	21217				DETAIL: AD 2-B-73
OCT 74	21254				CHECK: [Signature]
FEB 75	21271				APPROV: [Signature] 5/72

FD500

D

012127



TYPE	POSITION	UNUSED ELEMENTS	VCC (PIN)	GND (PIN)
7400	6C, 7A		14	7
7402	6D		14	7
7403	6A, 5D, 3B		14	7
7405	3E, 4E	3E6	14	7
7408	2F	2F2	14	7
7474	6B		14	7
74H10	3F		14	7
74H51	4F		14	7
74H10C	2E	2E1	14	13
9601	5C		14	7
9602	2B, 7B		16	8
UAT733	1C		16	8
8T20	2A		16	8
8T24	1E	1E1, 1E2	16	8

- NOTES: UNLESS OTHERWISE SPECIFIED:
1. ALL RESISTORS ARE IN OHMS.
 2. ALL RESISTORS ARE 1/8W, ±1%.
 3. ALL CAPACITORS ARE IN MICROFARADS, 100V, ±10%.
 4. ALL INDUCTORS ARE IN MICROHENRIES.
 5. ALL TRANSISTORS ARE 2N2222A.
 6. ALL DIODES ARE IN4148.
 7. R10 OR R11 MAY HAVE RESISTOR PARALLEL TO IT FOR TRIMMING. TEST ENGS IS TO DETERMINE THE TRIMMING RES VALUE.

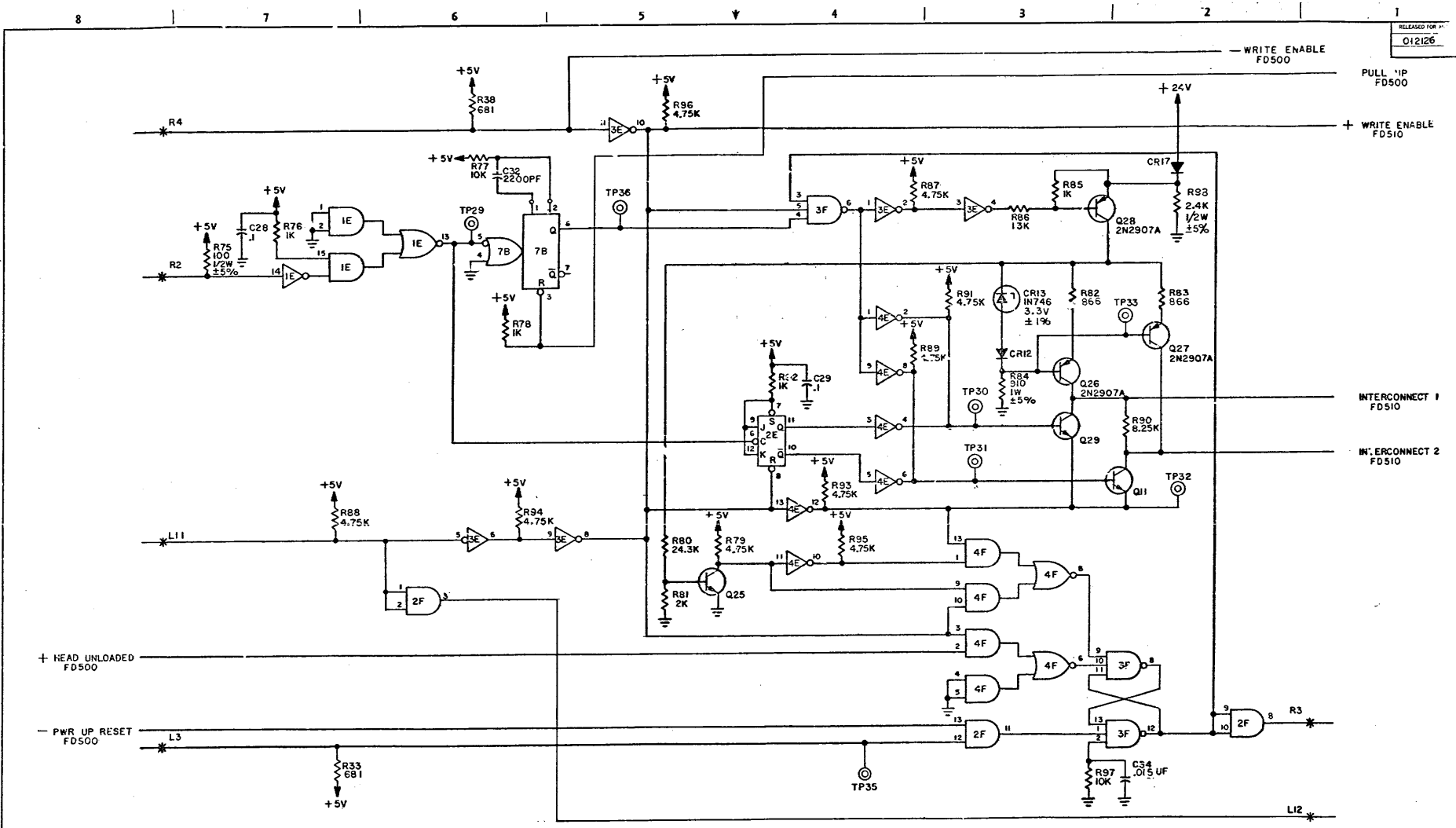
REF DESIGNATION	REF DESIGNATION
LAST USED	NOT USED
R10	R4
C38	R5
L7	
Q29	
CR17	
TP36	

(SHEET 1 OF 3)

DATE	CHANGE NO.	DATE	CHANGE NO.	TECHNICAL APPROVAL	MEMOREX EQUIPMENT SPEC:
MAR 73	21051	SEP 75	21274		NAME: SCHEMATIC DIAGRAM
NOV 73	21081				READ/WRITE/ACCESS
APR 74	21082				DESIGN: J.P. 2-8-73
JUL 74	21217				CHECK: J.P. 1-1-74
OCT 74	21254				APPRO: J.P. 5/77
FEB 75	21271				

FD510

012127

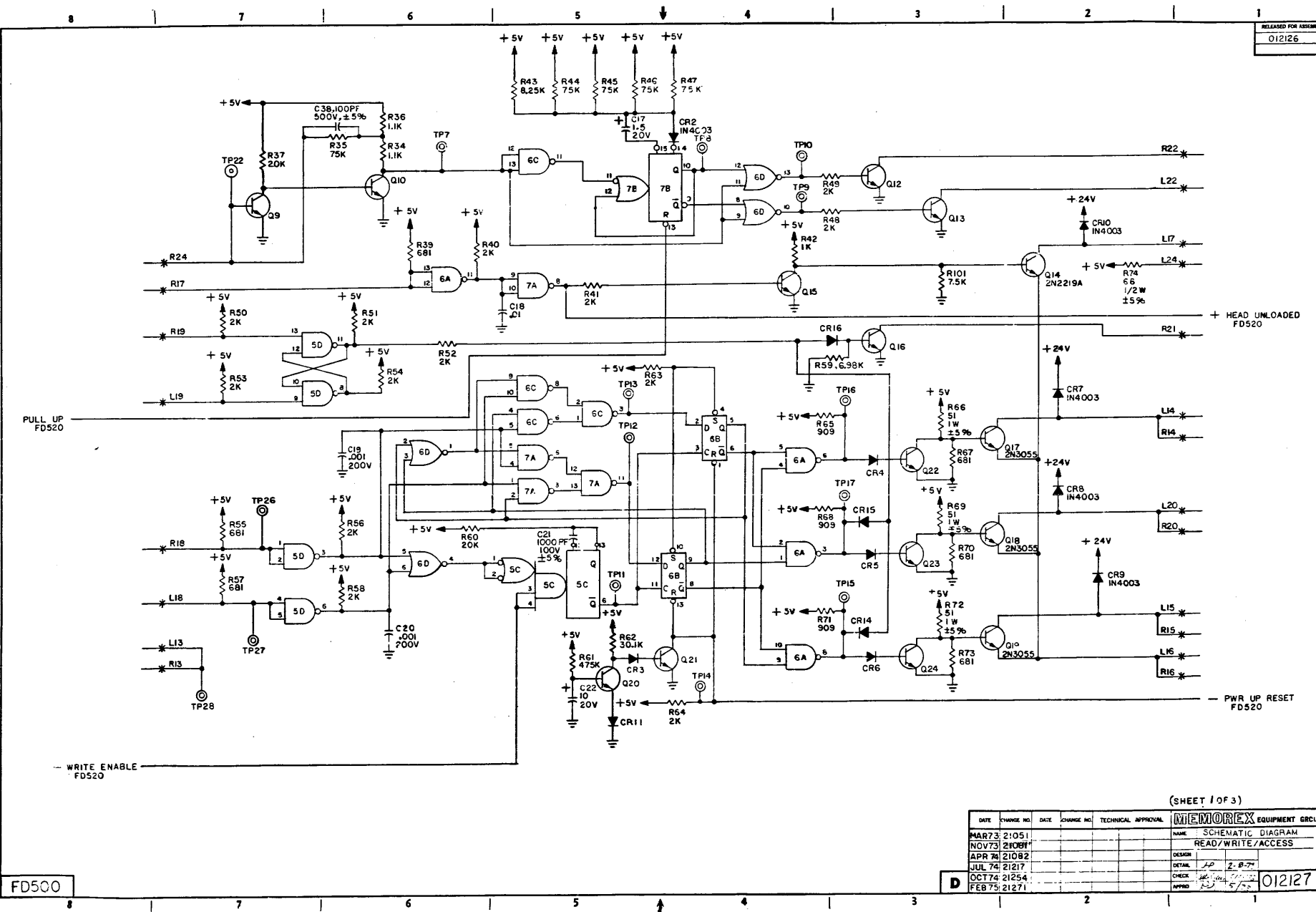


(SHEET 2 OF 3)

DATE	CHANGE NO.	DATE	CHANGE NO.	TECHNICAL APPROVAL	MEMOREX EQUIPMENT GP
MAR 73	21051	SEP 75	21274		NAME: SCHEMATIC DIAGRAM
NOV 73	21051				READ/WRITE/ACCESS
APR 74	21082				DESIGN
JUL 74	21217				DETAIL
OCT 74	21254				CHECK
FEB 75	21271				APPRO

D

012127



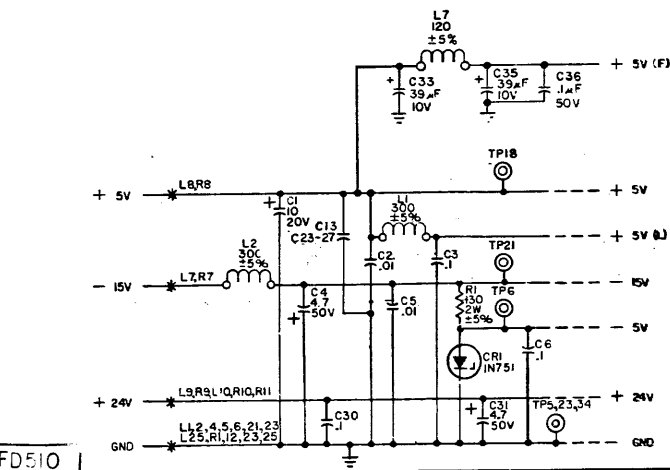
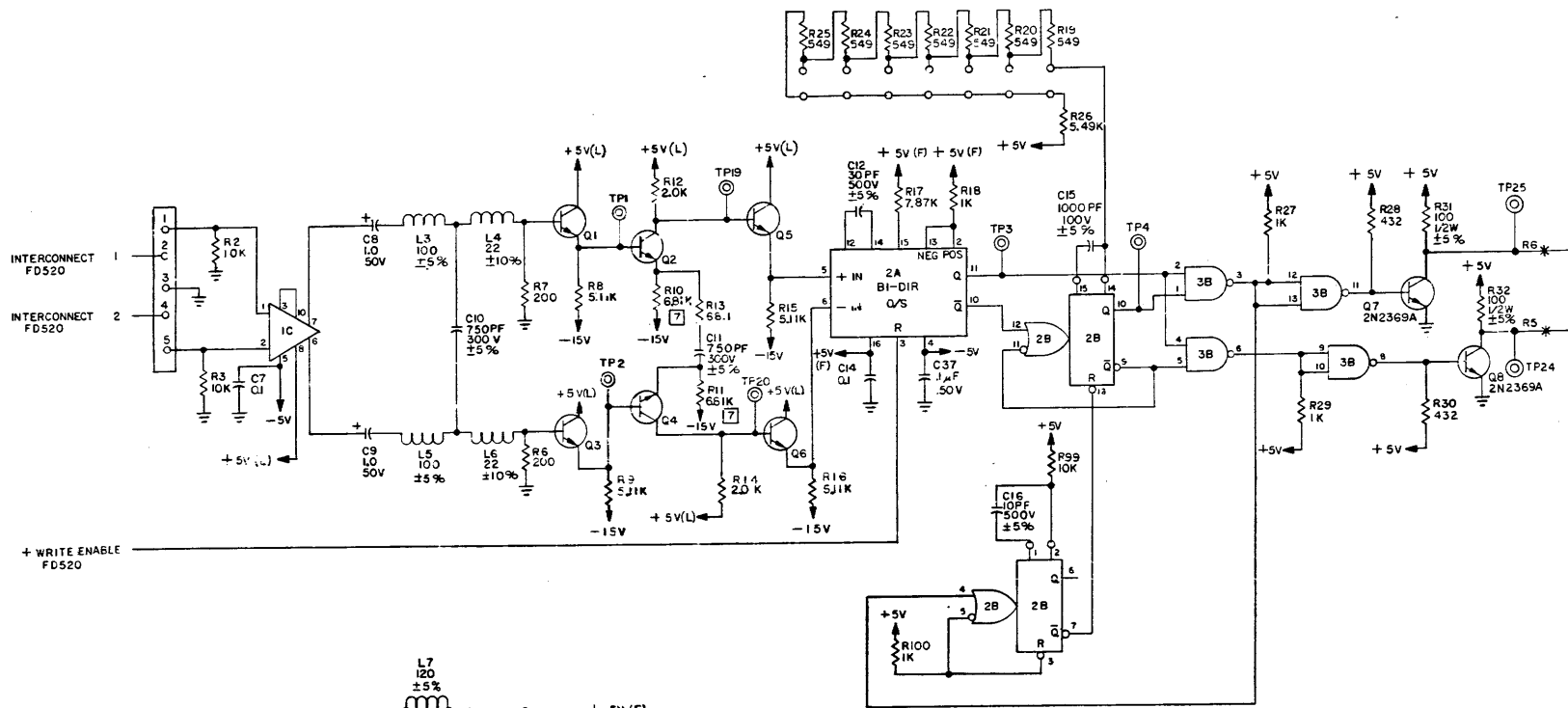
(SHEET 1 OF 3)

DATE	CHANGE NO.	DATE	CHANGE NO.	TECHNICAL APPROVAL	MEMOREX EQUIPMENT GROUP
MAR 73	21051				NAME: SCHEMATIC DIAGRAM
NOV 73	21068				READ/WRITE/ACCESS
APR 74	21082				DESIGNER
JUL 74	21217				DRAWN: <i>LD</i>
OCT 74	21254				CHECK: <i>LD</i>
FEB 75	21271				APPROV: <i>LD</i>

FD500

D

012127



TYPE	POSITION	UNUSED ELEMENTS	VCC (PIN)	GND (PIN)
7400	6C, 7A		14	7
7402	6D		14	7
7403	6A, 5D, 3B		14	7
7406	3E, 4E	3E6	14	7
7408	2F	2F2	14	7
7474	6B		14	7
74H0	3F		14	7
74H51	4F		14	7
74H06	2E	2E1	5	13
9601	5C		14	7
9602	2B, 7B		14	7
UA733	1C		16	8
BT20	2A		16	8
BY24	1E	1E1, 1E2	16	8

NOTES: UNLESS OTHERWISE SPECIFIED:

1. ALL RESISTORS ARE IN OHMS.
2. ALL RESISTORS ARE 1/8W, ±1%
3. ALL CAPACITORS ARE IN MICROFARADS, 100V, ±10%
4. ALL INDUCTORS ARE IN MICROHENRIES.
5. ALL TRANSISTORS ARE 2N2222A.
6. ALL DIODES ARE IN4148.
7. RIO OR R11 MAY HAVE RESISTOR PARALLEL TO IT FOR TRIMMING. TEST ENG IS TO DETERMINE THE TRIMMING RES VALUE.

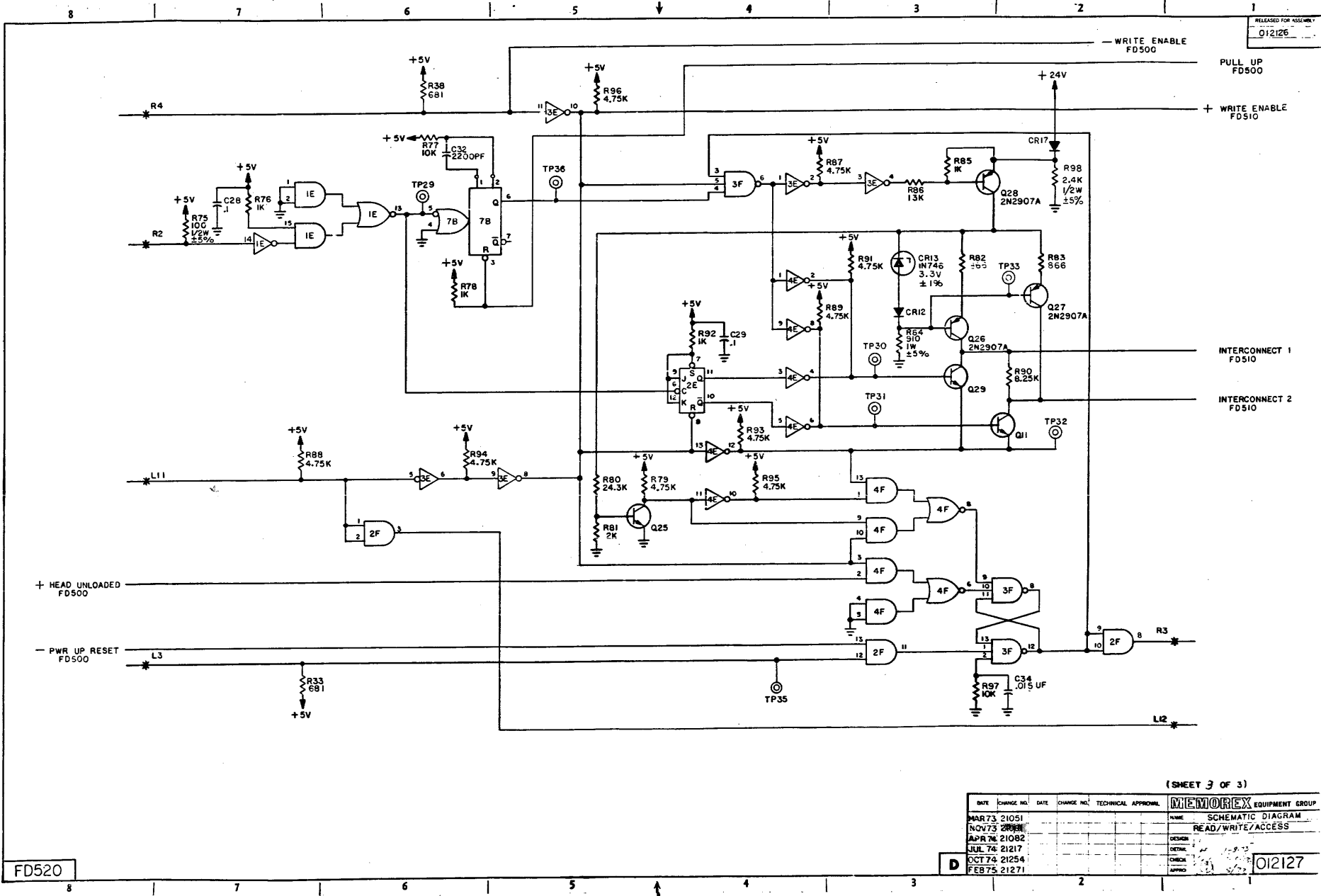
REF DESIGNATION LAST USED	REF DESIGNATION NOT USED
R101 C38 L7 Q29 CR17 TP36	R4 R5

(SHEET 3 OF 3)

DATE	CHANGE NO.	DATE	CHANGE NO.	TECHNICAL APPROVAL	MEMOREX EQUIPMENT GROUP
MAR 73	21051				NAME SCHEMATIC DIAGRAM
NOV 73	21081				READ/WRITE/ACCESS
APR 74	21082				DESIGN
JUL 74	21217				DETAIL
OCT 74	21254				CHECK
FEB 75	21271				APPROV

D

012127

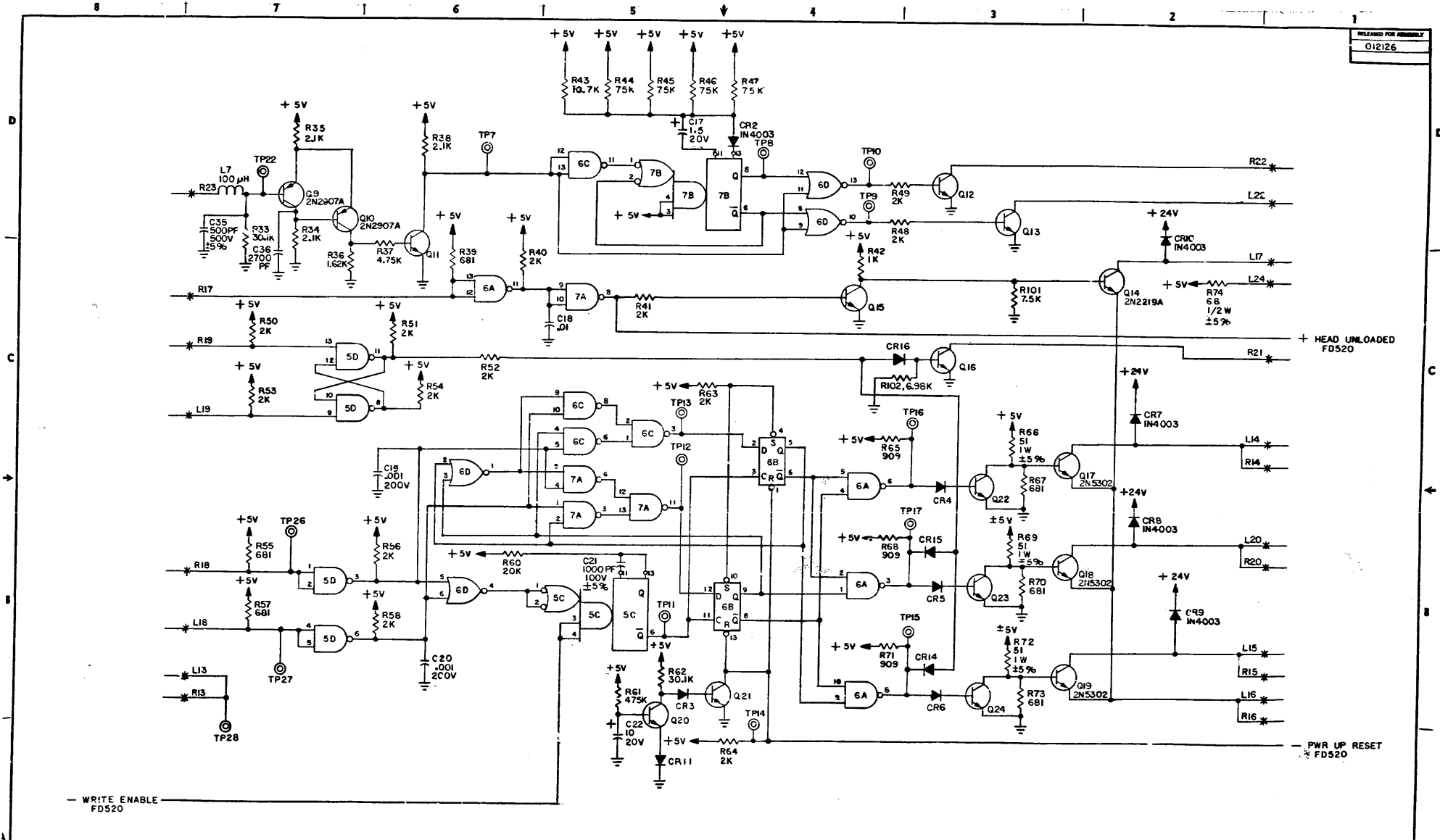


DATE	CHANGE NO.	DATE	CHANGE NO.	TECHNICAL APPROVAL	MEMOREX EQUIPMENT GROUP
MAR 73	21051				NAME
NOV 73	21082				SCHEMATIC DIAGRAM
APR 74	21082				READ/WRITE/ACCESS
JUL 74	21217				DESIGN
OCT 74	21254				CHECKED
FEB 75	21271				APPROVED

D

012127

FD520

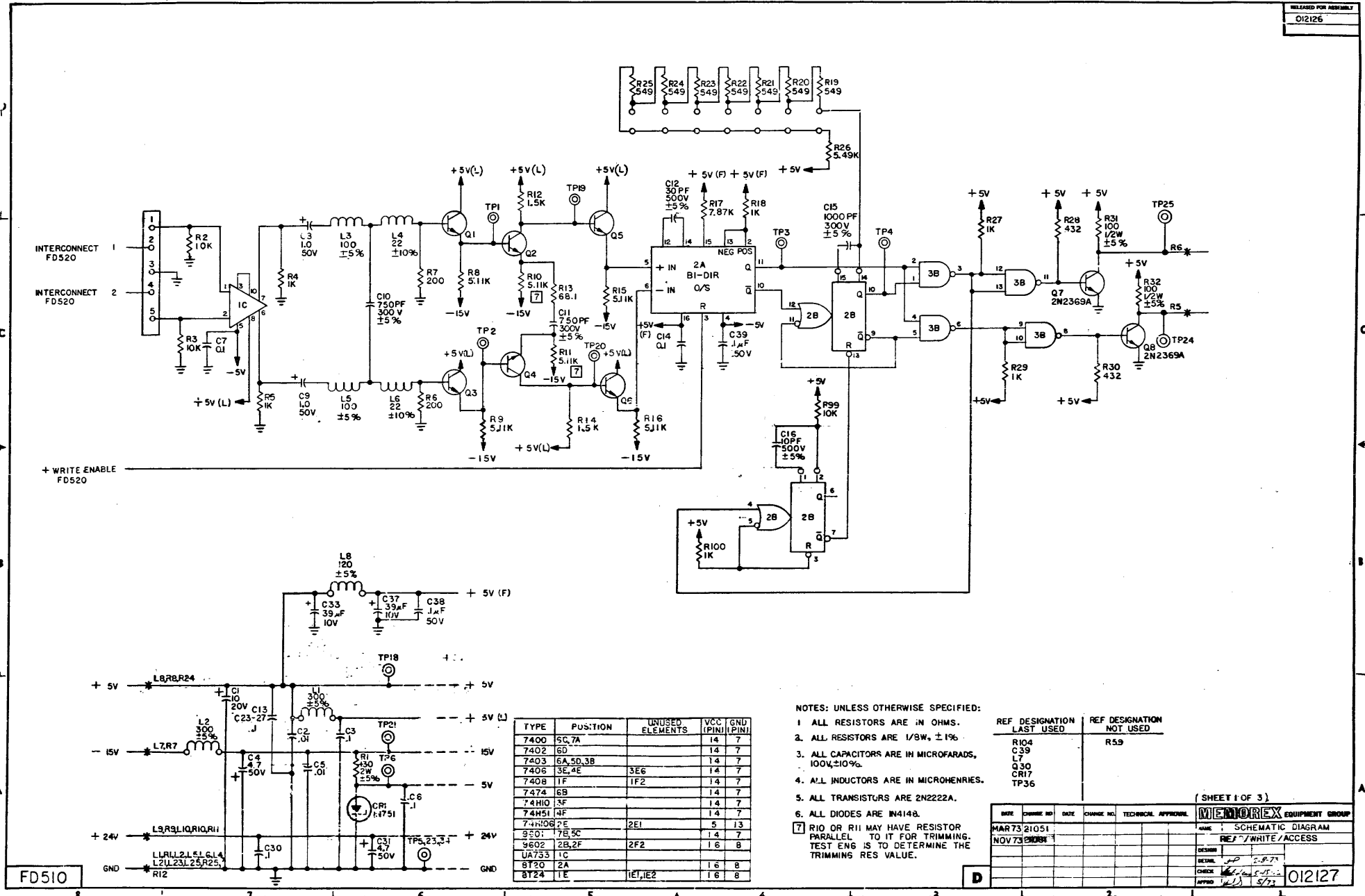


(SHEET 3 OF 3)

DATE	CHANGE NO.	DATE	CHANGE NO.	TECHNICAL APPROVAL	MEMOREX EQUIPMENT GROUP
MAR73	21051				SCHEMATIC DIAGRAM
NOV73	21061				REAL/WRITE/ACCESS
					DESIGN
					DETAIL
					CHECK
					APPRO

FD500

012127



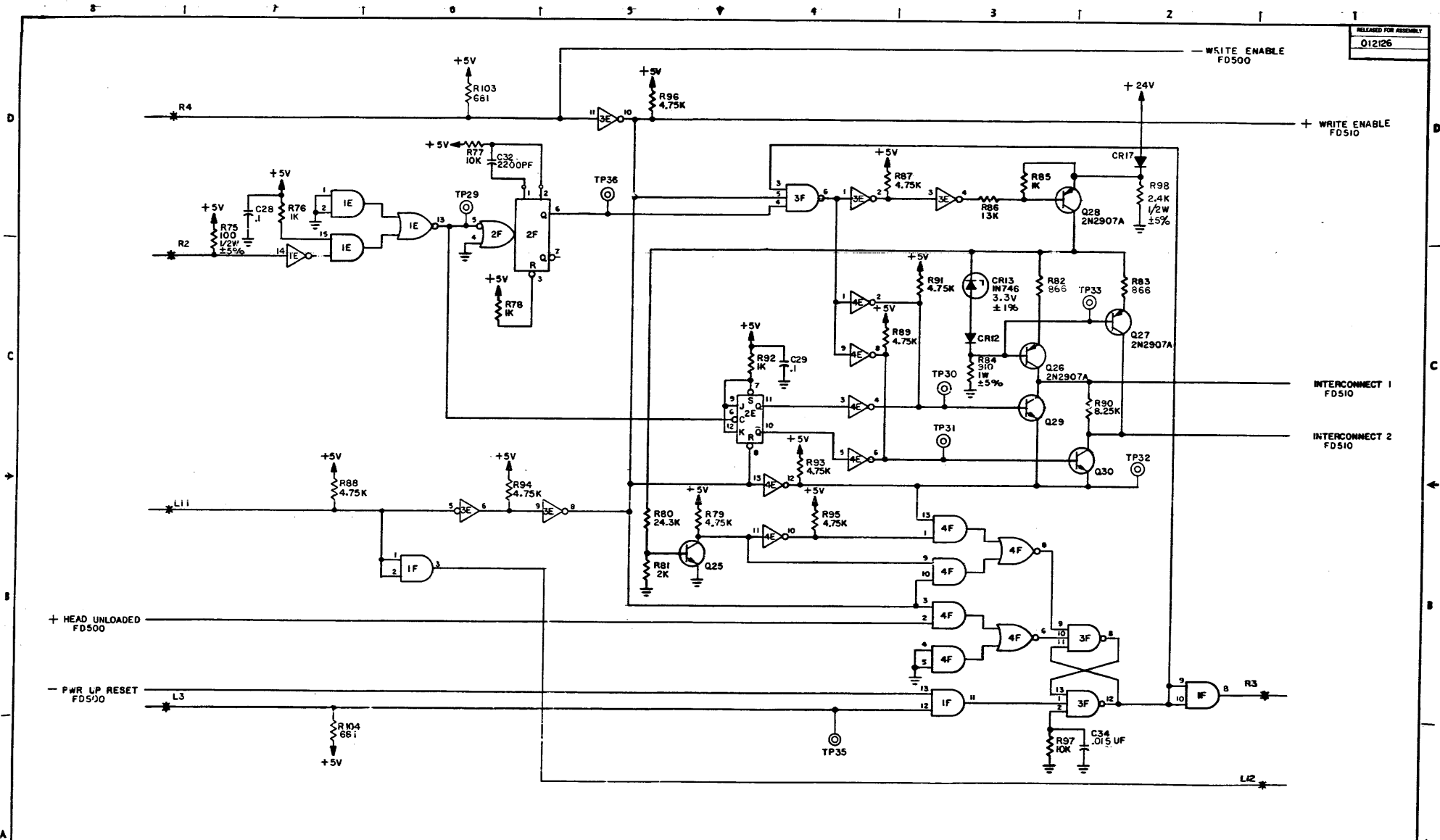
TYPE	POSITION	UNUSED ELEMENTS	VCC (PIN)	GND (PIN)
7400	5C,7A		14	7
7402	6D		14	7
7403	6A,5D,3B		14	7
7406	3E,4E	3E6	14	7
7408	1F	1F2	14	7
7474	6B		14	7
7410	3F		14	7
7415	4F		14	7
74106	2E	2E1	5	13
9501	7B,5C		14	7
9602	2B,2F	2F2	16	8
UA753	1C		16	8
8T20	2A		16	8
8T24	1E	1E1,1E2	16	8

- NOTES: UNLESS OTHERWISE SPECIFIED:
1. ALL RESISTORS ARE IN OHMS.
 2. ALL RESISTORS ARE 1/8W, ±1%.
 3. ALL CAPACITORS ARE IN MICROFARADS, 100V, ±10%.
 4. ALL INDUCTORS ARE IN MICROHENRIES.
 5. ALL TRANSISTORS ARE 2N2222A.
 6. ALL DIODES ARE IN4148.
 7. R10 OR R11 MAY HAVE RESISTOR PARALLEL TO IT FOR TRIMMING. TEST ENG IS TO DETERMINE THE TRIMMING RES VALUE.

REF DESIGNATION LAST USED	REF DESIGNATION NOT USED
R104	R59
C39	
L7	
Q30	
CR17	
TP36	

(SHEET 1 OF 3)

DATE	CHANGE NO.	DATE	CHANGE NO.	TECHNICAL APPROVAL	MEMOREX EQUIPMENT GROUP
MAR 73	21051				NAME: SCHEMATIC DIAGRAM
NOV 73	21051				REF: /WRITE/ACCESS
					DESIGNER
					CHECKED
					APPROVED

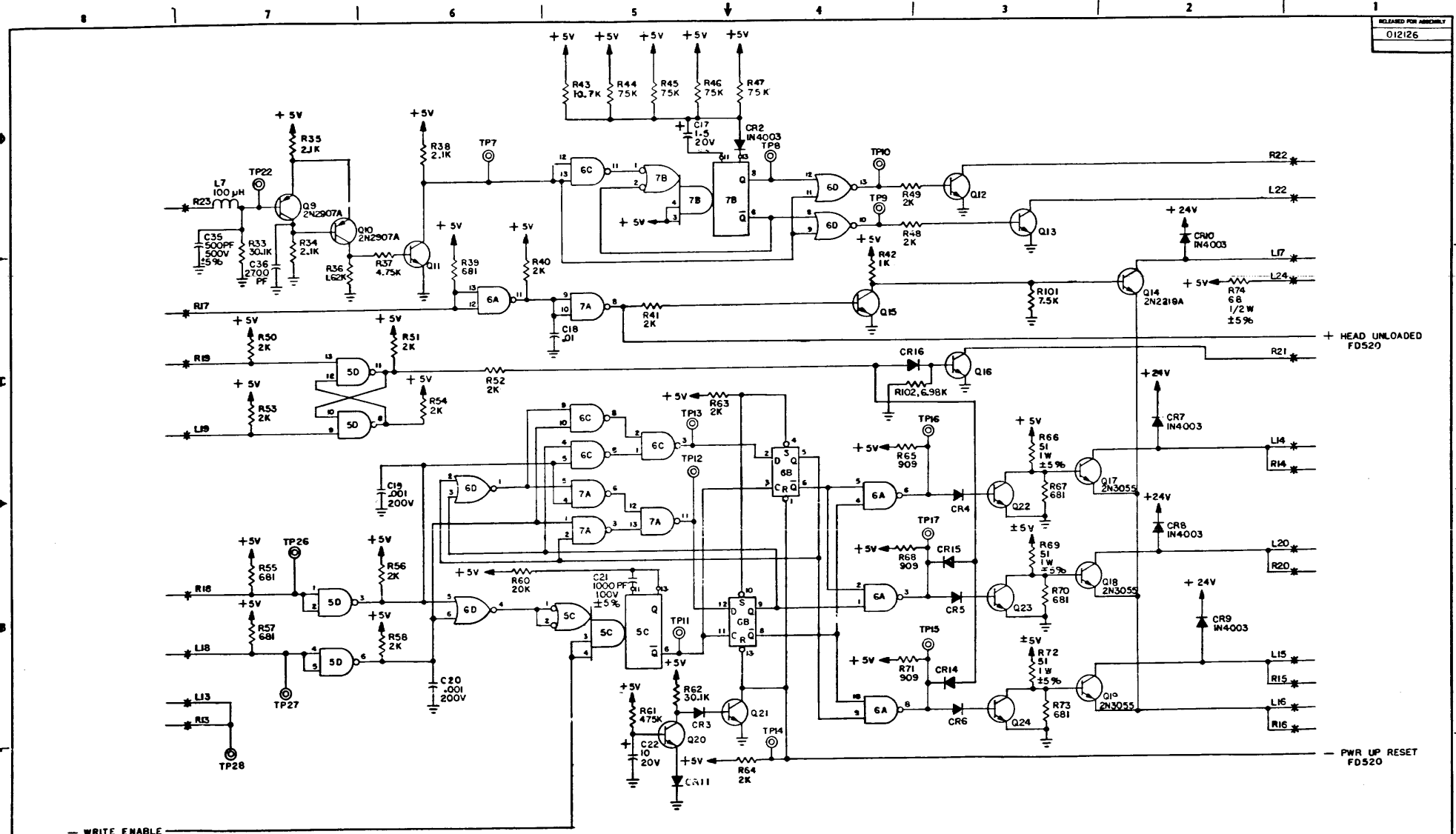


(SHEET 2 OF 3)

DATE	CHANGE NO.	DATE	CHANGE NO.	TECHNICAL APPROVAL	MEMOREX EQUIPMENT GROUP
MAR 73	21051				NAME SCHEMATIC DIAGRAM
NOV 73	21052				REF AD/WRITE/ACCESS
					DESIGN
					DRAWN
					CHECK
					APPROV

FD520

012127



WRITE ENABLE
FD520

+ HEAD UNLOADED
FD520

PWR UP RESET
FD520

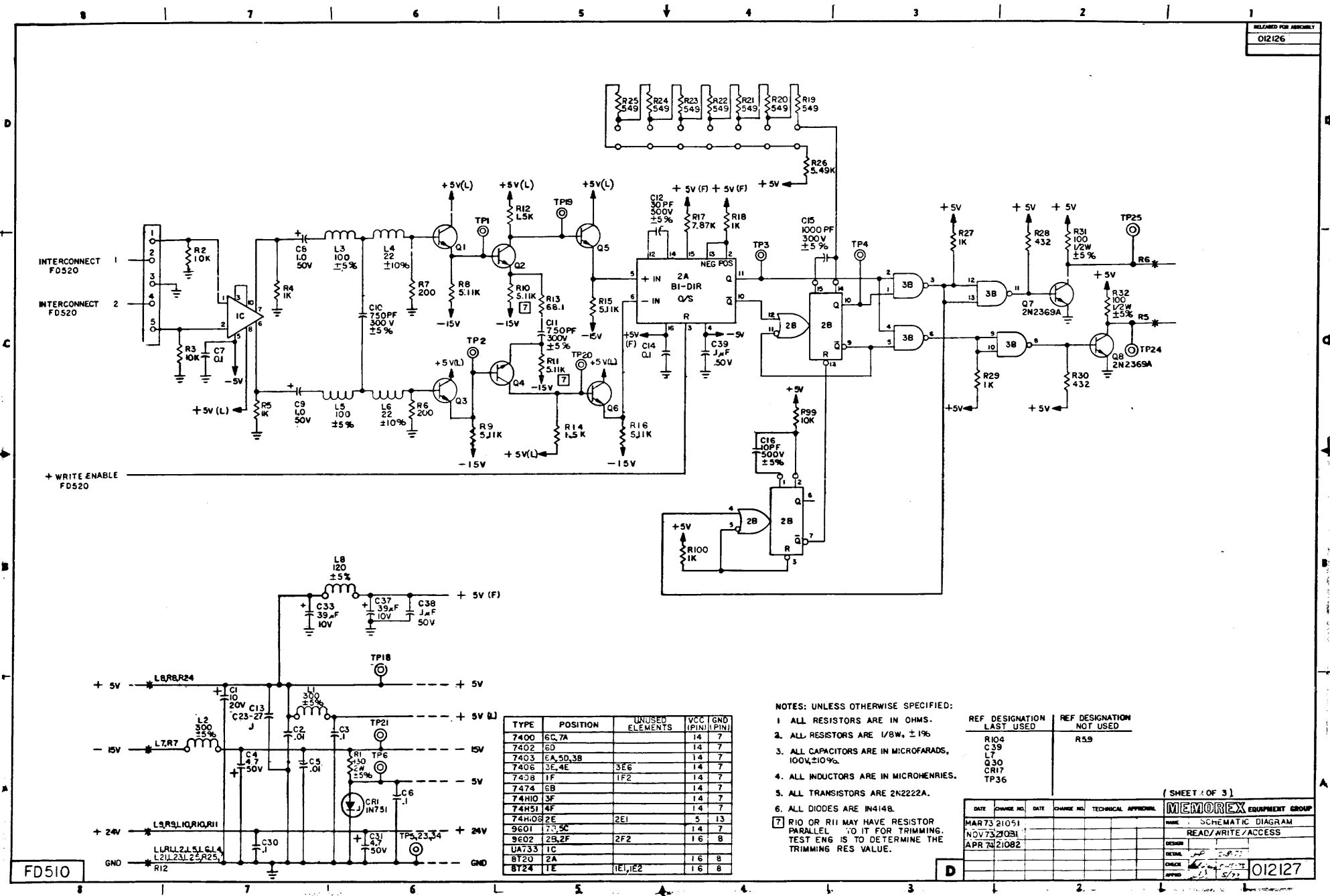
(SHEET 1 OF 3)

DATE	CHANGE NO.	DATE	CHANGE NO.	TECHNICAL APPROVAL	MEMOREX EQUIPMENT GROUP
MAR 73	21051				NAME: SCHEMATIC DIAGRAM
NOV 73	21052				READ/WRITE/ACCESS
APR 74	21082				DESIGN
					DRAWN: AD 2-8-73
					CHECK: [Signature]
					APPROV: [Signature]

FD500

D

012127



NOTES: UNLESS OTHERWISE SPECIFIED:

1. ALL RESISTORS ARE IN OHMS.
2. ALL RESISTORS ARE 1/8W, ±1%
3. ALL CAPACITORS ARE IN MICROFARADS, 100V, ±10%
4. ALL INDUCTORS ARE IN MICROHENRIES.
5. ALL TRANSISTORS ARE 2N2222A.
6. ALL DIODES ARE IN4148.
7. R10 OR R11 MAY HAVE RESISTOR PARALLEL TO IT FOR TRIMMING. TEST ENG IS TO DETERMINE THE TRIMMING RES VALUE.

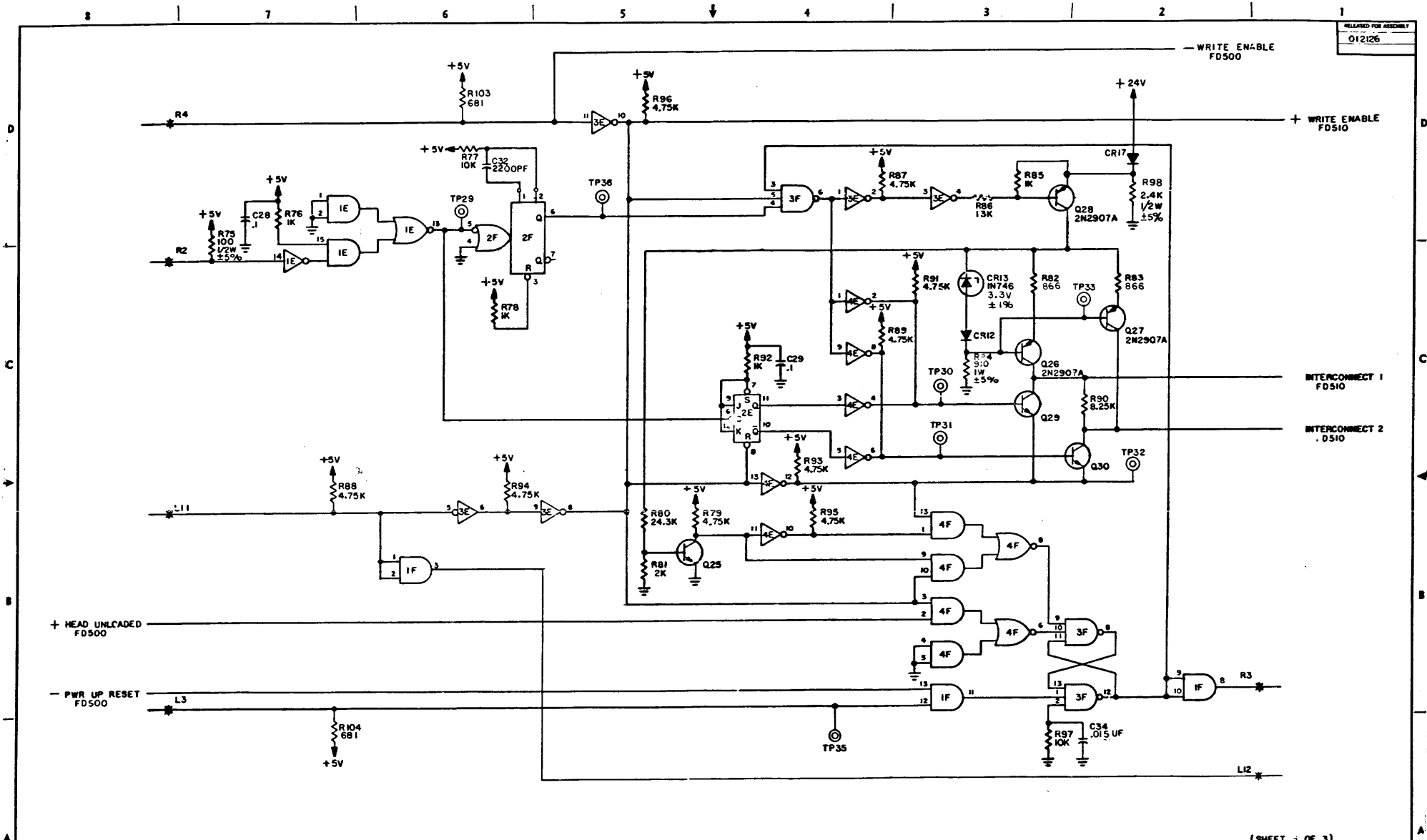
REF DESIGNATION	REF DESIGNATION
LAST USED	NOT USED
R104	R59
C39	
L7	
Q30	
CR17	
TP36	

TYPE	POSITION	UNUSED ELEMENTS	VCC (PIN)	GND (PIN)
7400	6C,7A		14	7
7402	6D		14	7
7403	6A,5D,3B		14	7
7406	3E,4E	3E6	14	7
7408	1F	1F2	14	7
7474	6B		14	7
74H10	3F		14	7
74H51	4F		14	7
74H08	2E	2E1	5	13
9601	75,5C		14	7
9602	2B,2F	2F2	16	8
UA733	1C		16	8
8T20	2A		16	8
8T24	1E	1E1,1E2	16	8

(SHEET 2 OF 3)

DATE	CHANGE NO.	DATE	CHANGE NO.	TECHNICAL APPROVAL	MEMOREX EQUIPMENT GROUP
MAR 73	21051				NAME: SCHEMATIC DIAGRAM
NOV 73	21051				READ/WRITE/ACCESS
APR 74	21082				DESIGN: [Signature]
					CHECK: [Signature]
					APPRO: [Signature]

012127

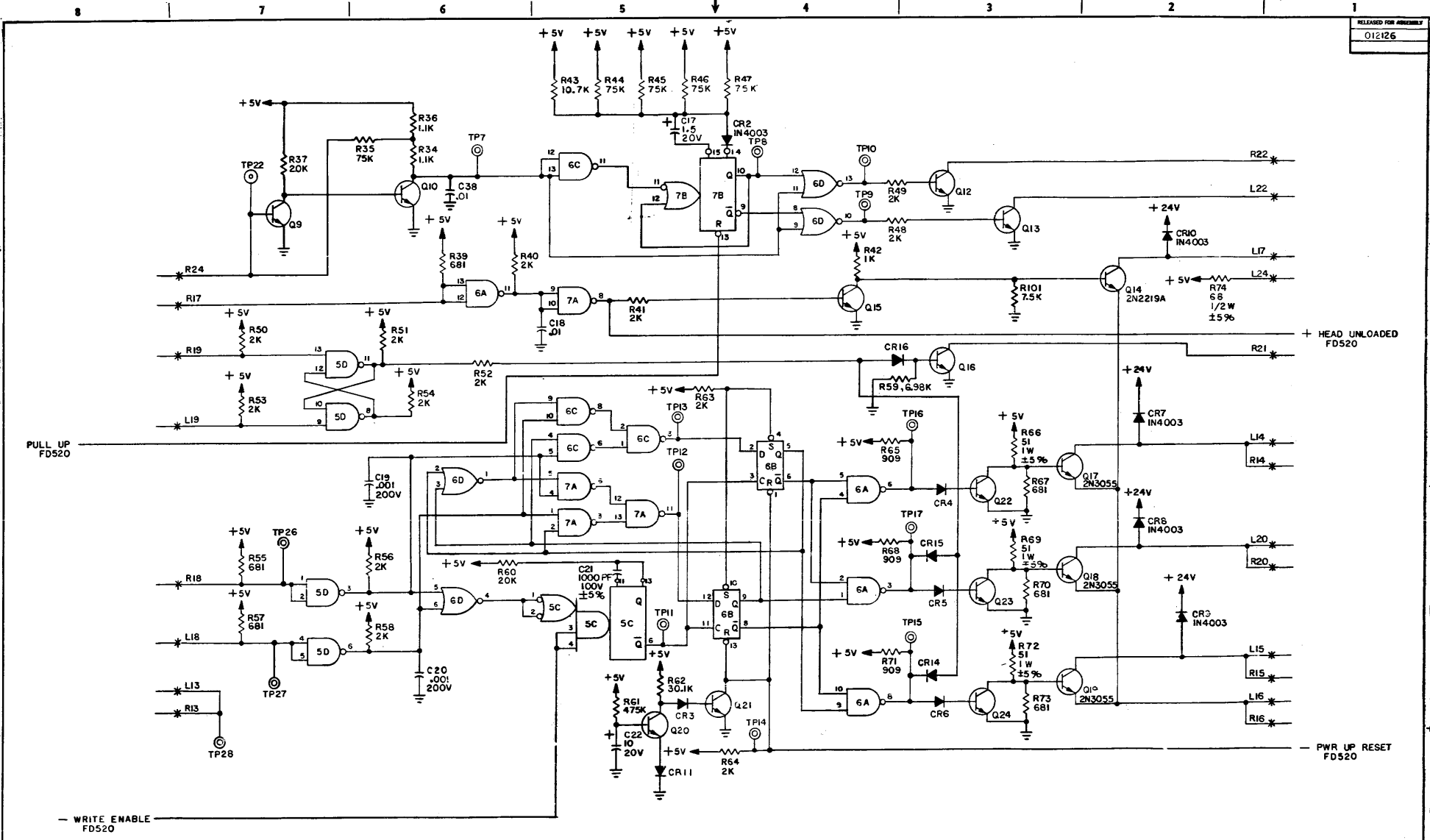


(SHEET 3 OF 3)

DATE	CHANGE NO.	DATE	CHANGE NO.	TECHNICAL APPROVAL	MEMOREX EQUIPMENT GROUP
MAR 73	21051				NAME: SCHEMATIC DIAGRAM
NOV 73	21061				READ/WRITE/ACCESS
APR 74	21082				DESIGN: 1-8-73
					CHECK: [Signature]
					APPROV: [Signature]

F0520

012127



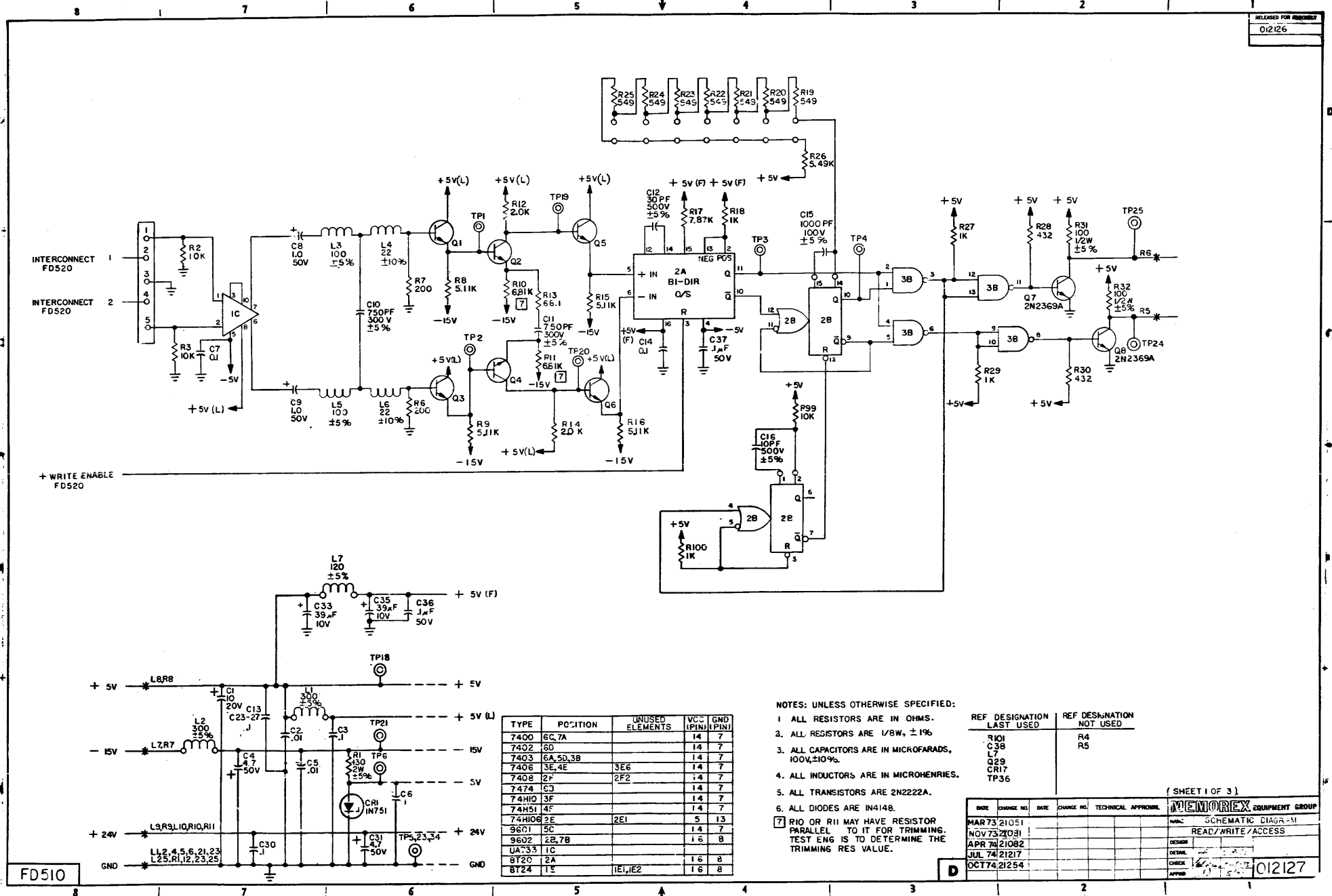
(SHEET 3 OF 3)

DATE	CHANGE NO.	DATE	CHANGE NO.	TECHNICAL APPROVAL	MEMOREX EQUIPMENT GROUP
MAR 73	21051				NAME: SCHEMATIC DIAGRAM
NOV 73	21082				READ/WRITE/ACCESS
APR 74	21082				DESIGN: JP 2-B-7
JUL 74	21217				CHECK: [Signature]
OCT 74	21254				APPD: [Signature]

FD500

D

012127



TYPE	POSITION	UNUSED ELEMENTS	VCC (PIN1)	GND (PIN2)
7400	6C,7A		14	7
7402	8D		14	7
7403	6A,5D,3B		14	7
7406	3E,4E	3E6	14	7
7408	2F	2F2	14	7
7474	6C		14	7
74H10	3F		14	7
74H51	4E		14	7
74H106	2E	2E1	5	13
9601	5C		14	7
9602	2B,7B		16	8
UA733	1C		16	8
8T20	2A		16	8
8T24	1E	1E1,1E2	16	8

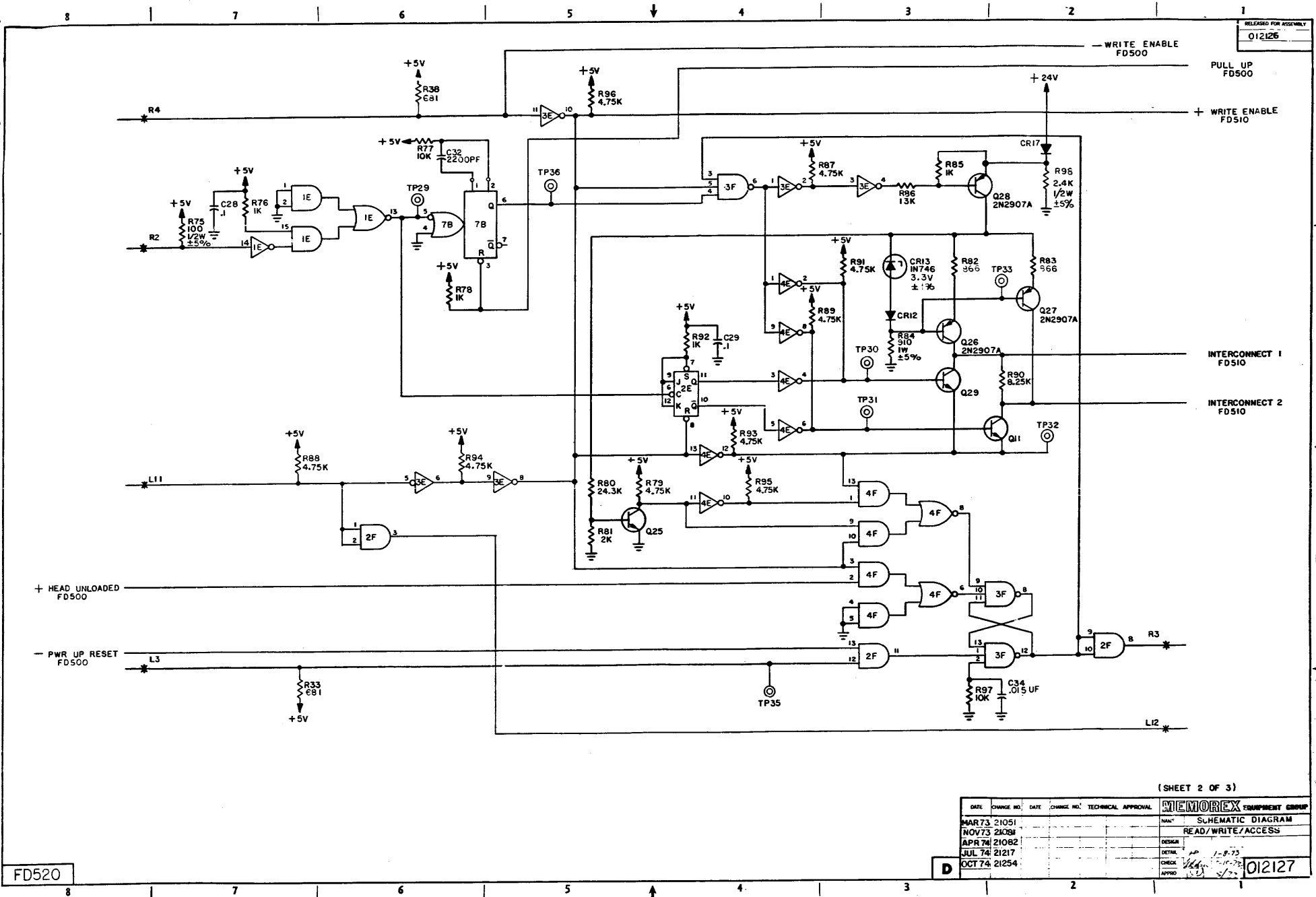
NOTES: UNLESS OTHERWISE SPECIFIED:

- ALL RESISTORS ARE IN OHMS.
- ALL RESISTORS ARE 1/8W, ±1%.
- ALL CAPACITORS ARE IN MICROFARADS, 100V, ±10%.
- ALL INDUCTORS ARE IN MICROHENRIES.
- ALL TRANSISTORS ARE 2N2222A.
- ALL DIODES ARE IN4148.
- R10 OR R11 MAY HAVE RESISTOR PARALLEL TO IT FOR TRIMMING. TEST ENG IS TO DETERMINE THE TRIMMING RES VALUE.

REF DESIGNATION LAST USED	REF DESIGNATION NOT USED
R101	R4
C38	R5
L7	
Q29	
CR17	
TP36	

(SHEET 1 OF 3)

DATE	CHANGE NO.	DATE	CHANGE NO.	TECHNICAL APPROVAL	DESIGNER	CHECKER	APPROVER
MAR 73	21051						
NOV 73	21051						
APR 74	21082						
JUL 74	21217						
OCT 74	21254						

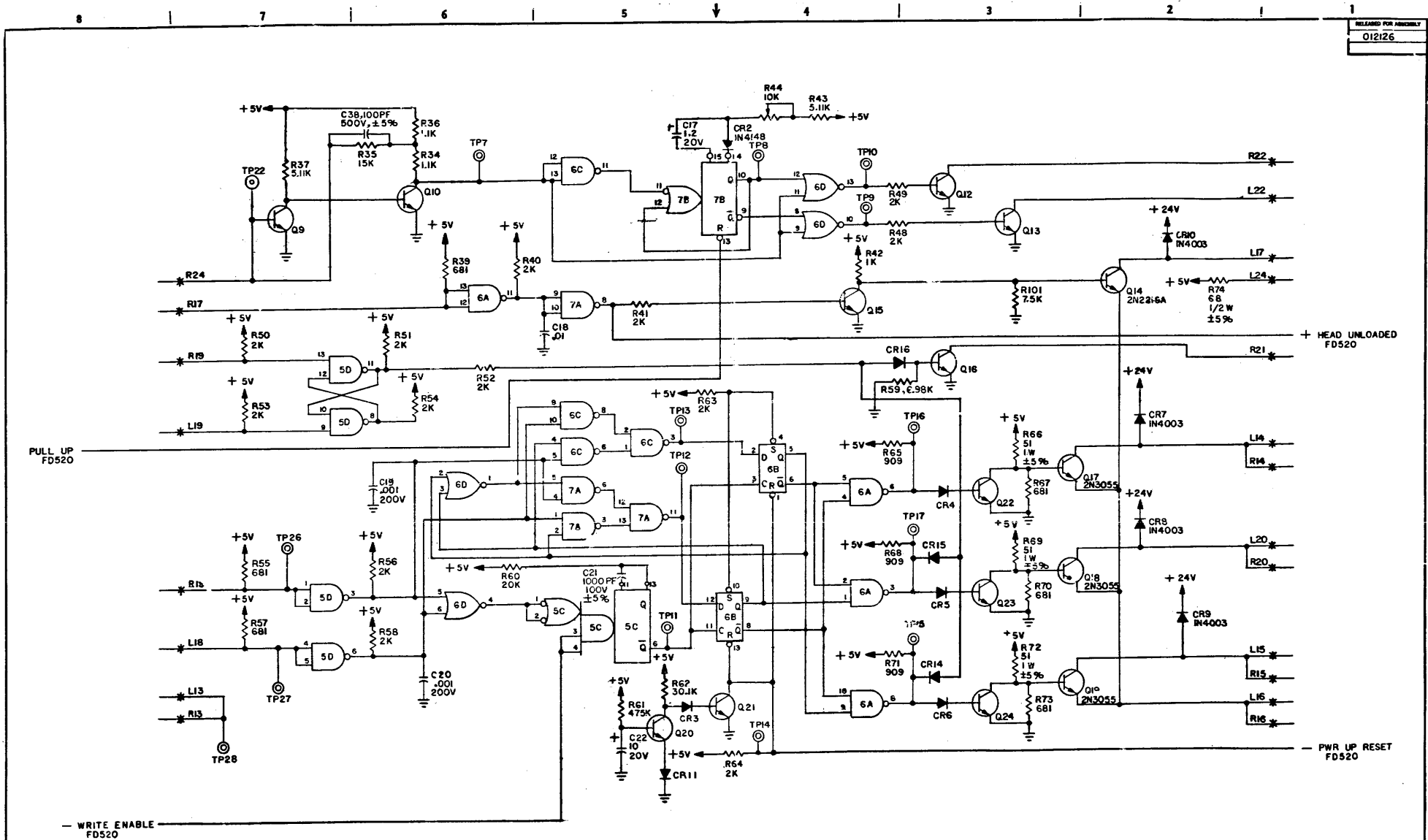


(SHEET 2 OF 3)

DATE	CHANGE NO.	DATE	CHANGE NO.	TECHNICAL APPROVAL	MEMOREX EQUIPMENT GROUP
MAR 73	21051				NAME: SCHEMATIC DIAGRAM
NOV 73	21058				READ/WRITE/ACCESS
APR 74	21082				DESIGN
JUL 74	21217				CHECK
OCT 74	21254				APPROV

FD520

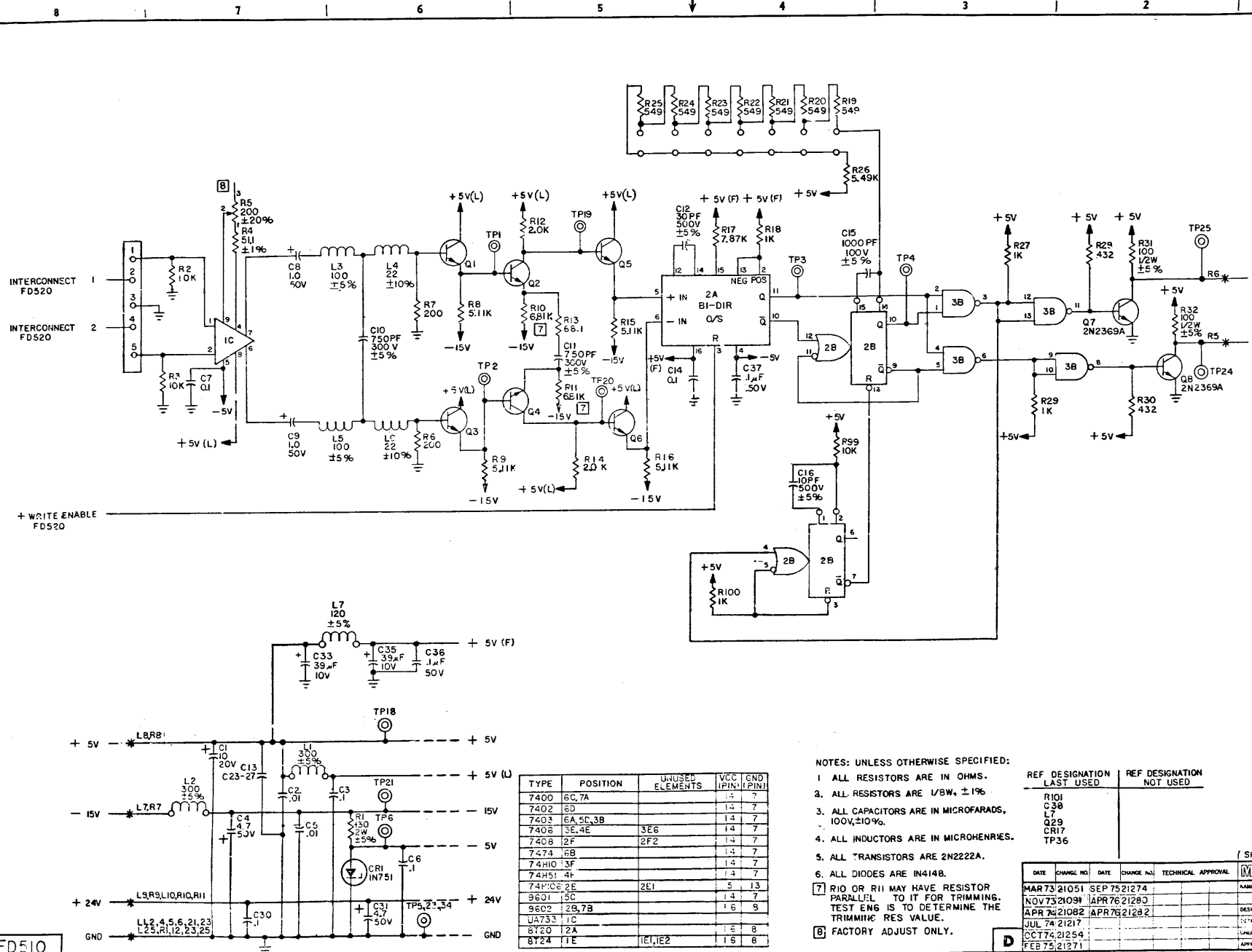
012127



(SHEET 3 OF 3)

DATE	CHANGE NO.	GATE	CHANGE NO.	TECHNICAL APPROVAL	MEMOREX EQUIPMENT GROUP
MAR 73	21051	SEP 75	21274		NAME: SCHEMATIC DIAGRAM
NOV 73	21081	APR 76	21280		READ/WRITE/ACCESS
APR 74	21082	APR 76	21282		DESIGN
JUL 74	21217				DEL. NO. 2-B-75
OCT 74	21254				CHECK
FEB 75	21271				APPROV. 5/75

012127



TYPE	POSITION	UNUSED ELEMENTS	VCC	GND
7400	6C, 7A		14	7
7402	8D		14	7
7403	6A, 5C, 3B		14	7
7408	3E, 4E	3E6	14	7
7408	2F	2F2	14	7
7474	8B		14	7
74H10	3F		14	7
74H51	4I		13	7
74HC2E		2E1	5	13
9601	15C		14	7
9602	2B, 7B		16	8
JA733	1C		16	8
8720	2A		16	8
8724	1E	1E1, 1E2	15	8

- NOTES: UNLESS OTHERWISE SPECIFIED:
- ALL RESISTORS ARE IN OHMS.
 - ALL RESISTORS ARE 1/8W, ±1%.
 - ALL CAPACITORS ARE IN MICROFARADS, 100V, ±10%.
 - ALL INDUCTORS ARE IN MICROHENRIES.
 - ALL TRANSISTORS ARE 2N2222A.
 - ALL DIODES ARE IN4148.
 - R10 OR R11 MAY HAVE RESISTOR PARALLEL TO IT FOR TRIMMING. TEST ENG IS TO DETERMINE THE TRIMMING RES VALUE.
 - FACTORY ADJUST ONLY.

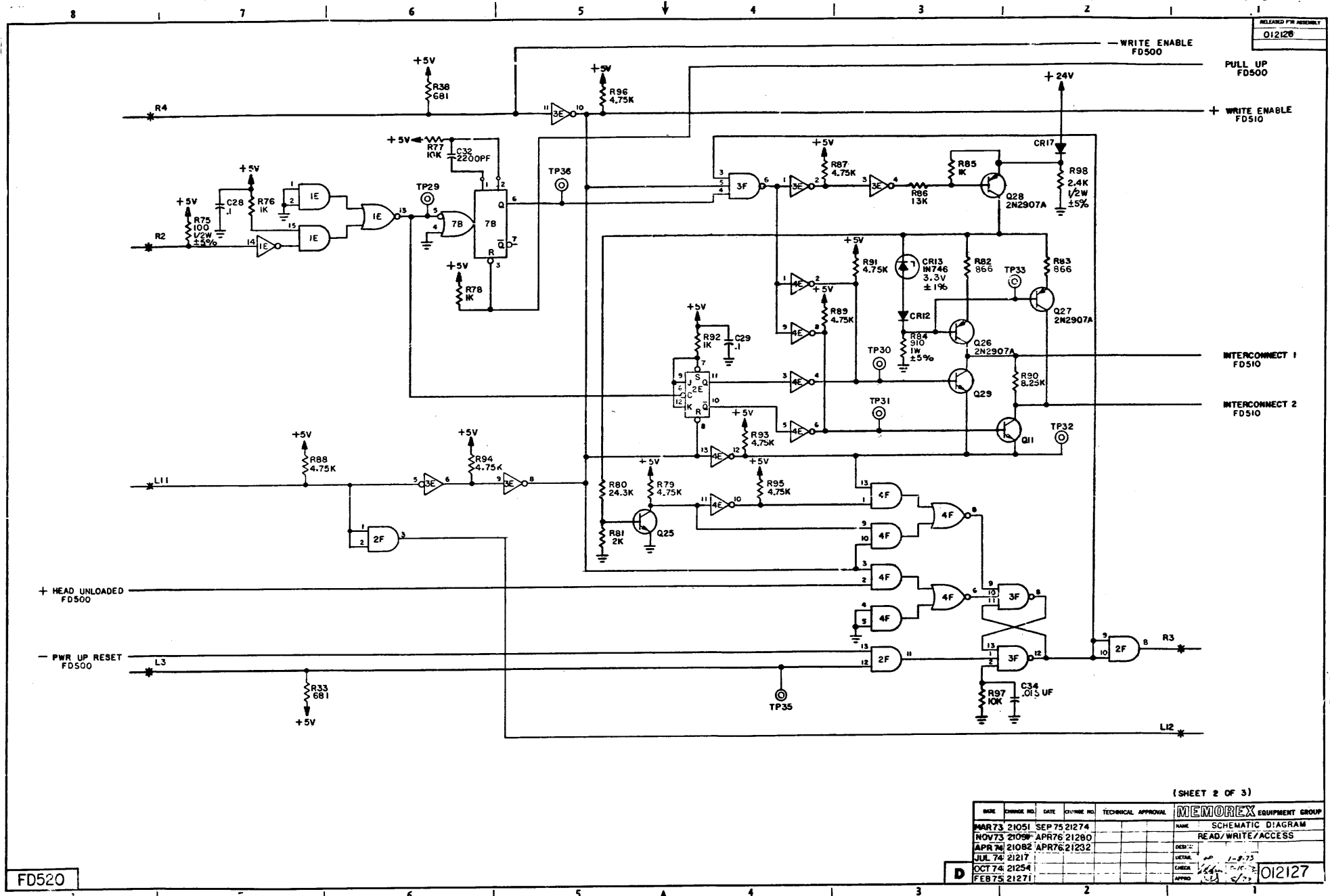
REF DESIGNATION	REF DESIGNATION
LAST USED	NOT USED
R101	
C38	
L7	
Q29	
CR17	
TP36	

(SHEET 1 OF 3)

DATE	CHANGE NO.	DATE	CHANGE NO.	TECHNICAL APPROVAL	MEMOREX EQUIPMENT GROUP
MAR 73	21051	SEP 75	21274		NAME: SCHEMATIC DIAGRAM
NOV 73	21091	APR 76	21280		READ/WRITE/ACCESS
APR 74	21082	APR 76	21282		DESIGN
JUL 74	21217				DETAIL
OCT 74	21254				INSTR
FEB 75	21271				APPRO

FD510

012127



(SHEET 2 OF 3)

DATE	CHANGE NO.	DATE	CHANGE NO.	TECHNICAL APPROVAL	MEMOREX EQUIPMENT GROUP
MAR 73	21051	SEP 75	21274		NAME SCHEMATIC DIAGRAM
NOV 73	21098	APR 76	21280		READ/WRITE/ACCESS
APR 74	21082	APR 76	21292		DESIGN
JUL 74	21217				DETAIL
OCT 74	21254				CHECK
FEB 75	21271				APPROV

FD520

D

012127