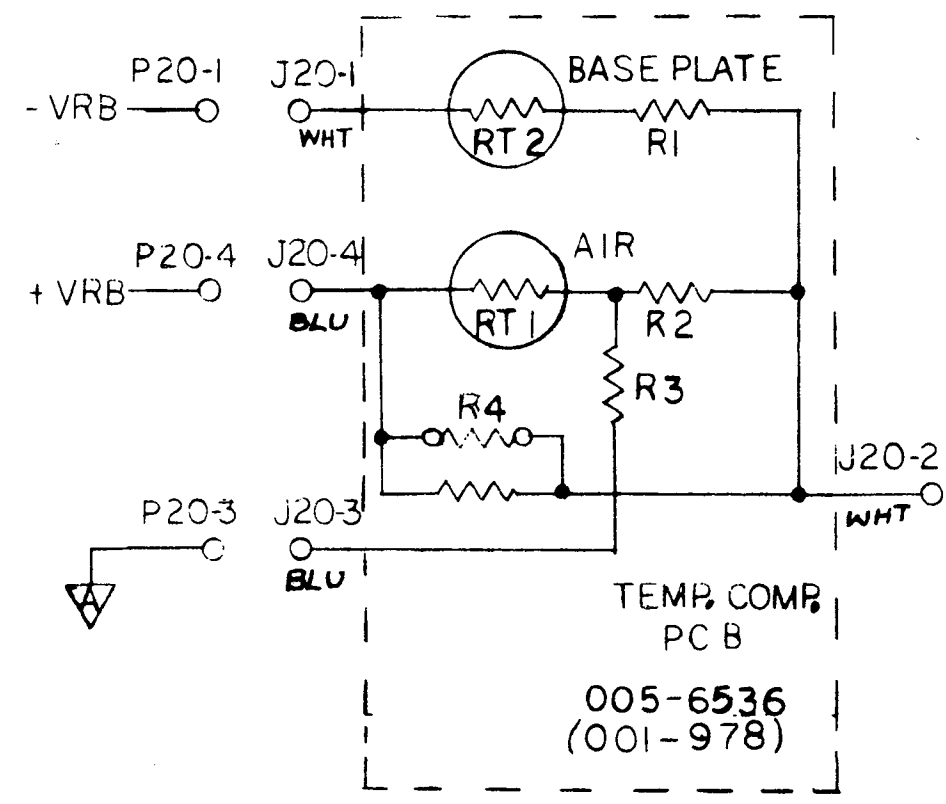
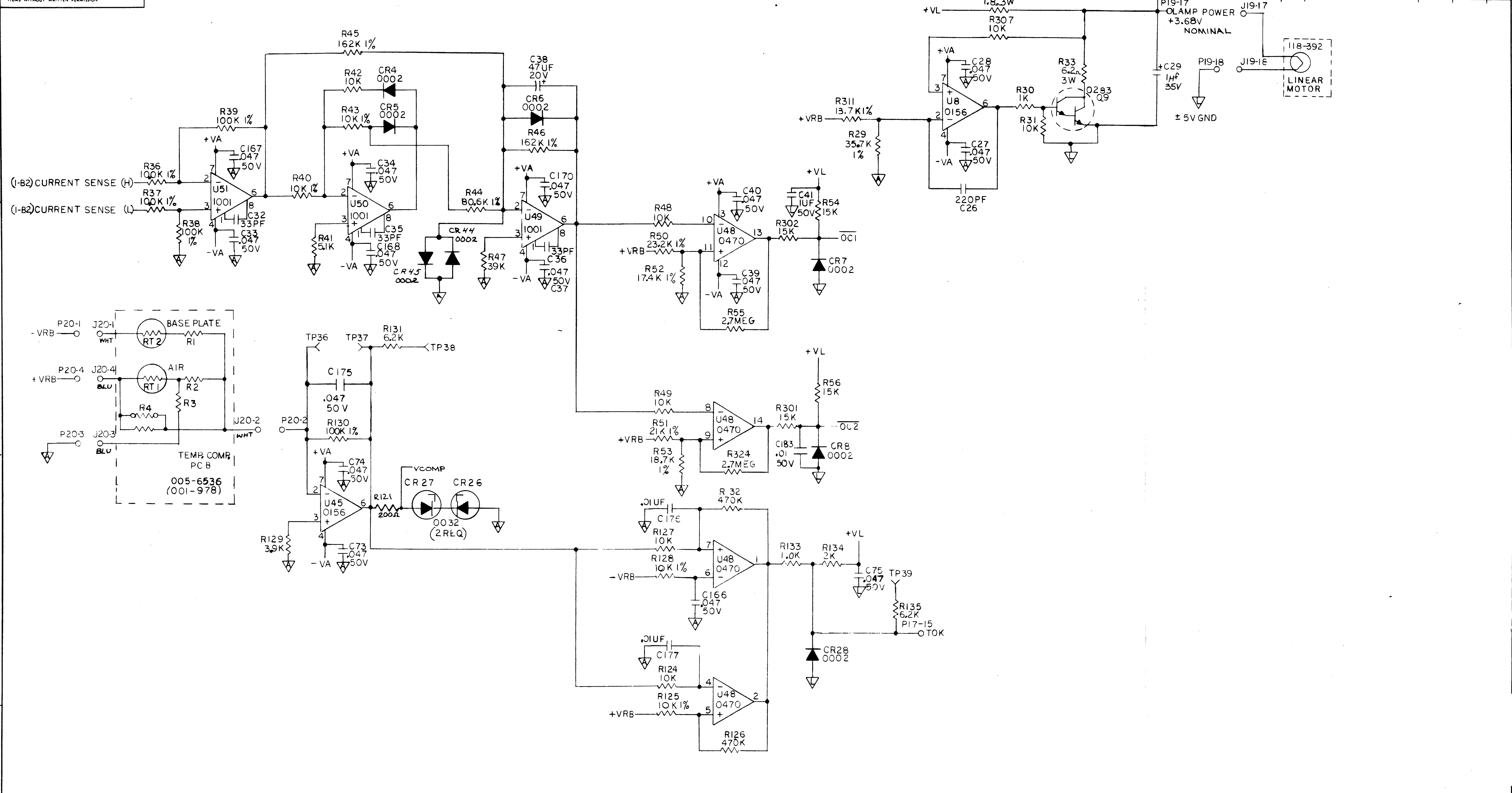






THIS DRAWING AND SPECIFICATIONS HEREIN ARE THE PROPERTY OF DATA GENERAL CORPORATION AND SHALL NOT BE REPRODUCED OR COPIED OR USED IN WHOLE OR IN PART AS THE BASIS FOR MANUFACTURE OR SALE OF ITEMS WITHOUT WRITTEN PERMISSION

| REVISIONS |             |       |        |      |
|-----------|-------------|-------|--------|------|
| REV       | DESCRIPTION | DRFTG | APP BY | DATE |
|           |             |       |        |      |



| QTY | DESCRIPTION | PART NO |
|-----|-------------|---------|
|     |             |         |

|   |               |      |  |
|---|---------------|------|--|
| UNLESS OTHERWISE SPECIFIED USE D.G.C. SPECIFICATION 108-00028 FOR TOLERANCES AND WORKMANSHIP REQUIREMENTS | DRAWN         | R.R. | <b>DATA GENERAL CORPORATION</b><br>SOUTHBORO MASSACHUSETTS 01772<br>TITLE<br><b>SERVO &amp; POWER SUPPLY MONITOR BOARD SCHEMATIC</b> |
|   | CHECKED       |      |  |
|   | ENGINEER      |      |  |
|   | APPROVED      |      |  |
| MATERIAL  | FIRST USED ON |      |  |
| FINISH  |               |      |  |
| SCALE   | SIZE          | CODE | DRAWING NUMBER   |
|   | D             | 001  | 000872   |
|   |               |      | REV  |
|   |               |      | 17   |

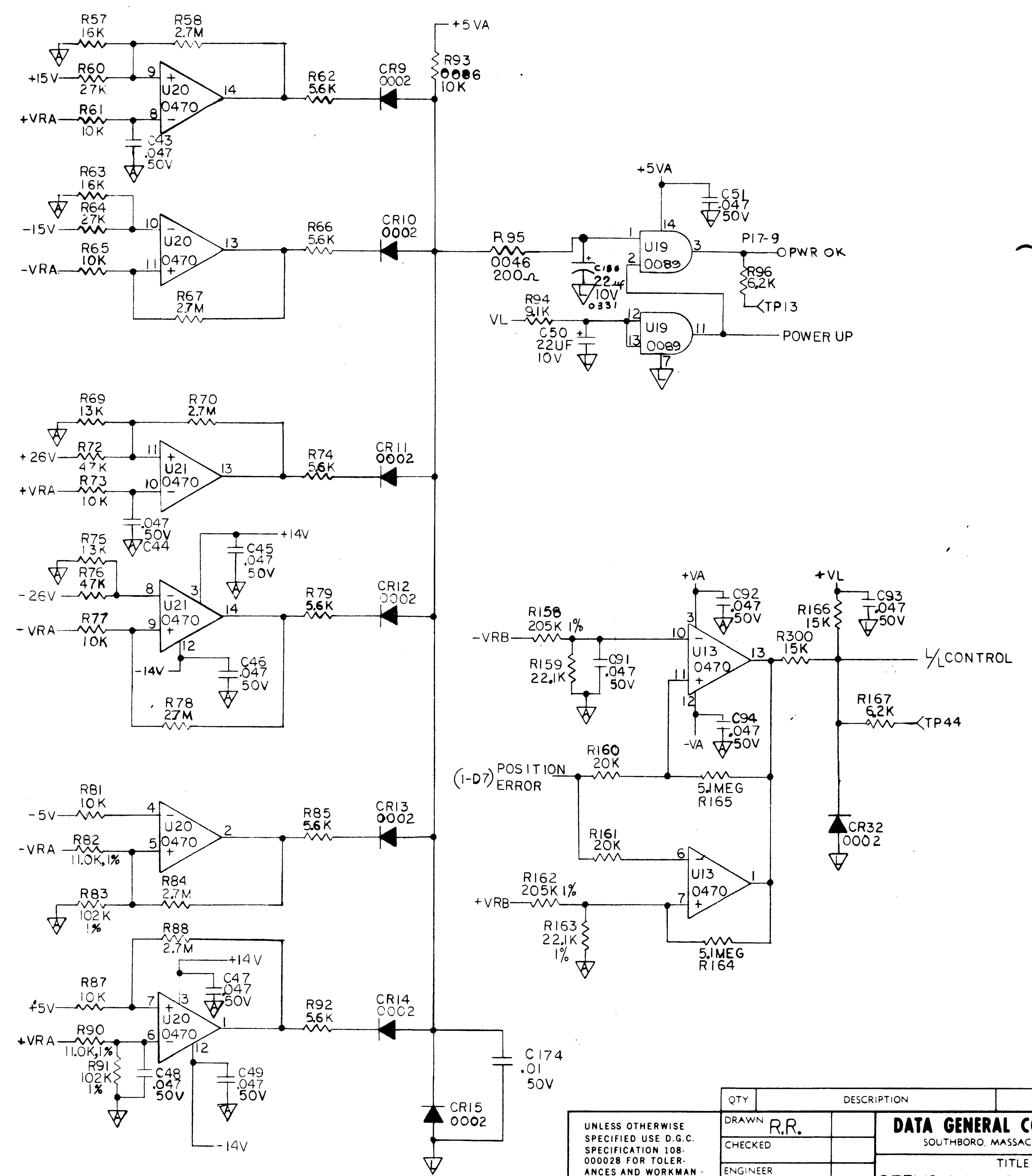
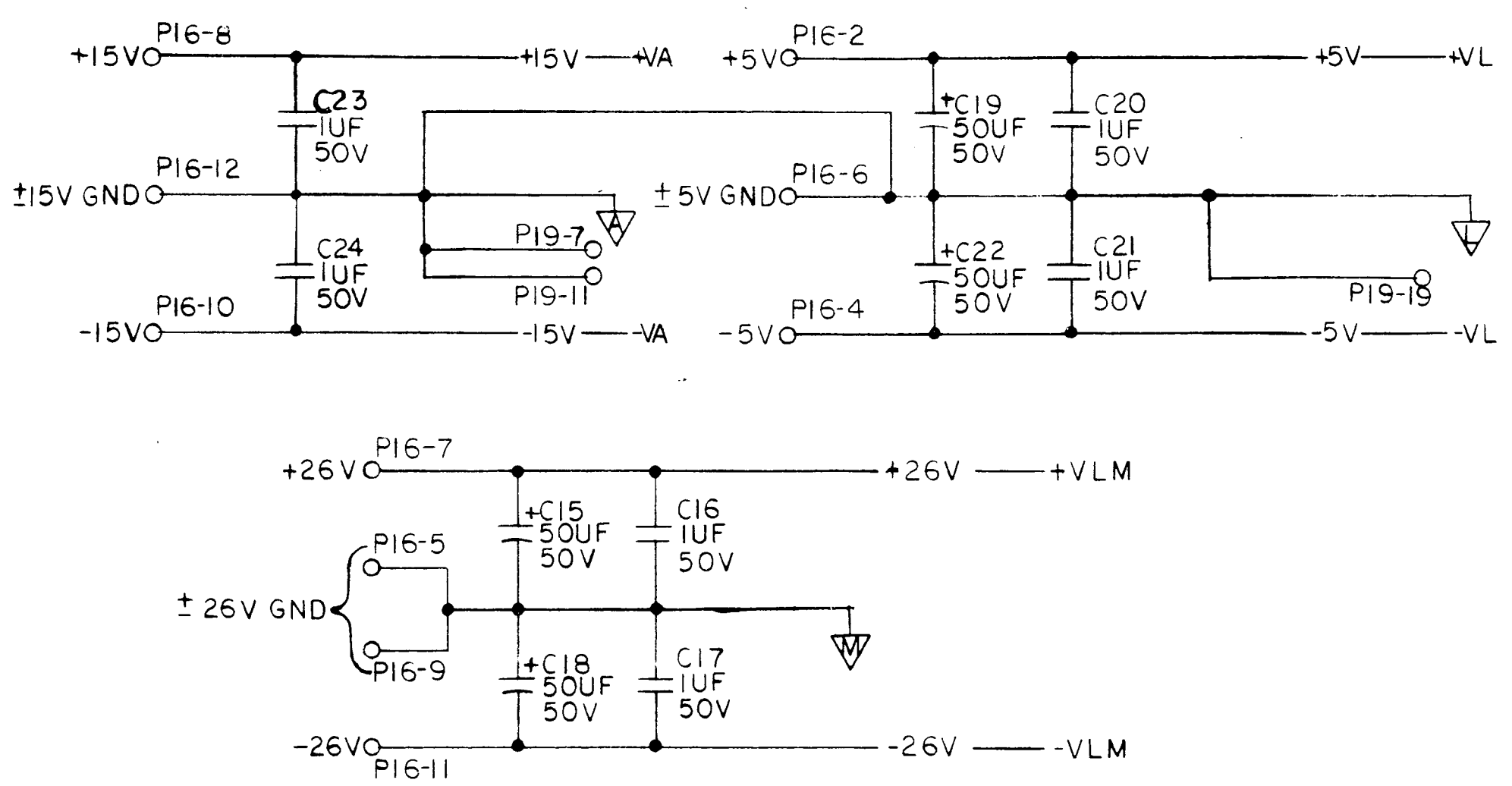
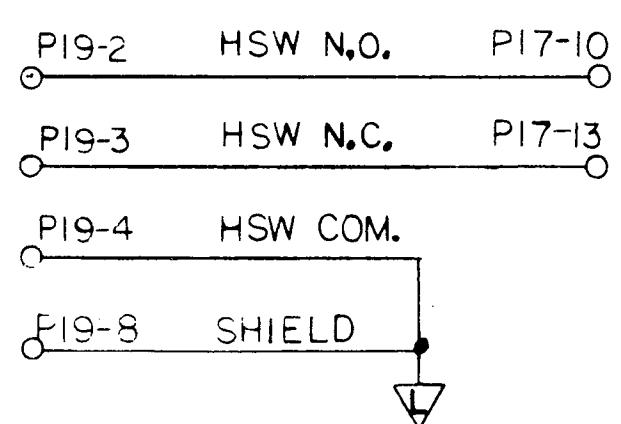
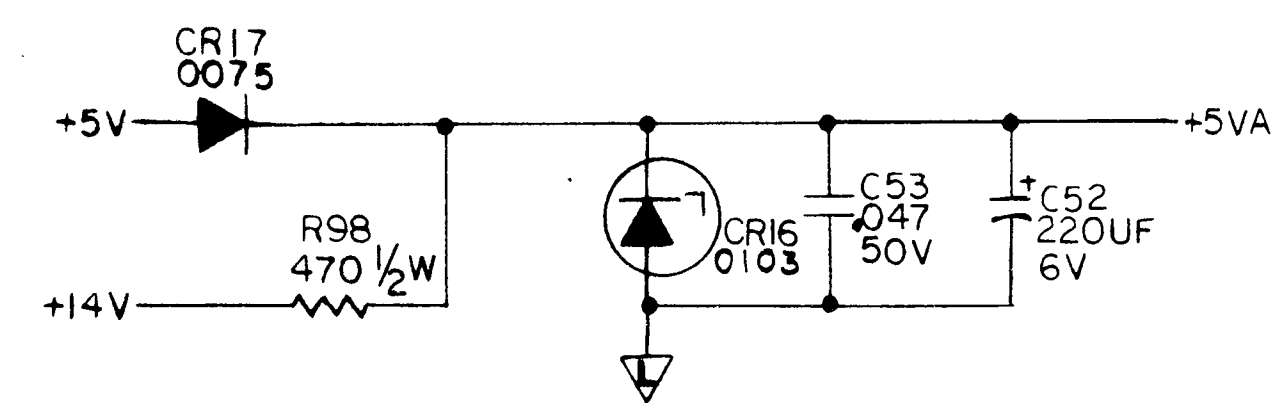
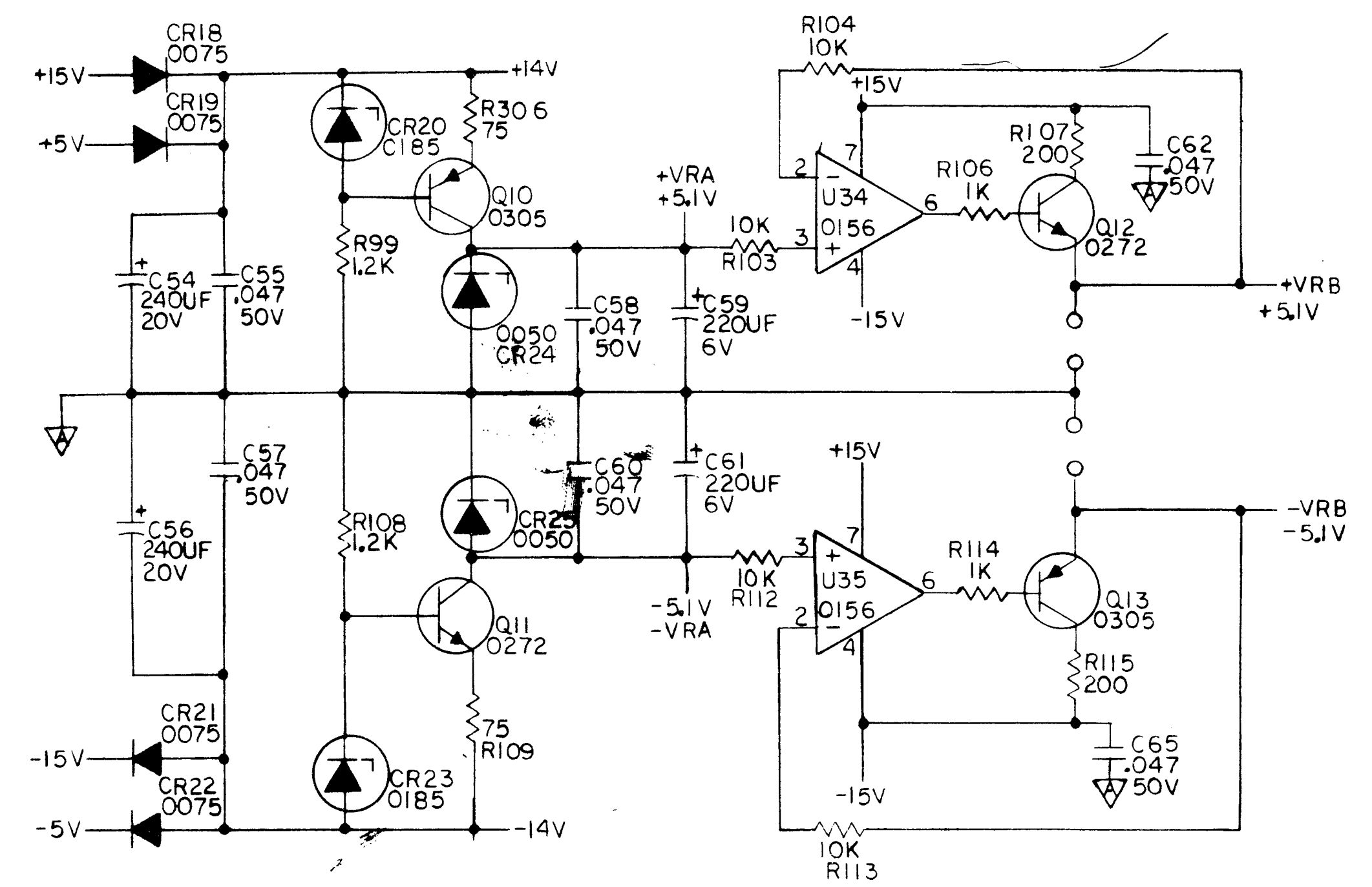
BRUNING 40-526 20411



THIS DRAWING AND SPECIFICATIONS, HEREIN, ARE THE PROPERTY OF DATA GENERAL CORPORATION AND SHALL NOT BE REPRODUCED OR COPIED OR USED IN WHOLE OR IN PART AS THE BASIS FOR MANUFACTURE OR SALE OF ITEMS WITHOUT WRITTEN PERMISSION

| REVISIONS |             |       |        |      |
|-----------|-------------|-------|--------|------|
| REV       | DESCRIPTION | DRFTG | APP BY | DATE |
|           |             |       |        |      |

D  
C  
B  
A



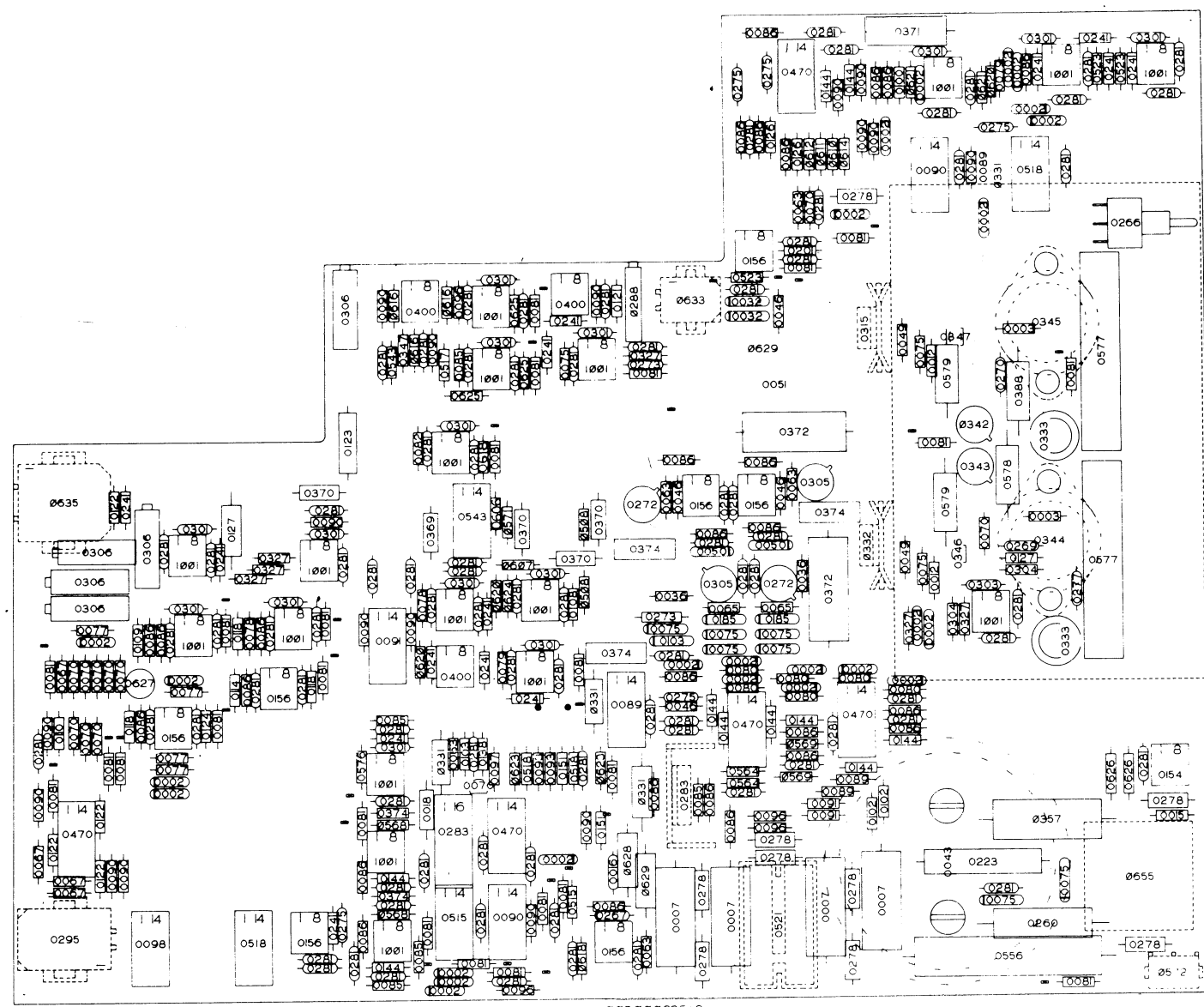
| QTY | DESCRIPTION | PART NO |
|-----|-------------|---------|
|     |             |         |

|   |               |   |         |
|---|---------------|---|---------|
| UNLESS OTHERWISE SPECIFIED USE D.G.C. SPECIFICATION 108-00028 FOR TOLERANCES AND WORKMANSHIP REQUIREMENTS | DRAWN R.R.    | <b>DATA GENERAL CORPORATION</b><br>SOUTHBORO, MASSACHUSETTS 01772<br>TITLE<br><b>SERVO &amp; POWER SUPPLY MONITOR BOARD SCHEMATIC</b> |         |
| MATERIAL  | CHECKED       |   |         |
| FINISH  | ENGINEER      |   |         |
|   | APPROVED      |   |         |
|   | FIRST USED ON |   |         |
|   | SCALE         |   |         |
|   |               | SIZE CODE   | D 001   |
|   |               | DRAWING NUMBER  | 000 872 |
|   |               | REV   | 17      |

REVIEWS 10-22-2011

| REVISIONS |              |       |        |          |
|-----------|--------------|-------|--------|----------|
| REV       | DESCRIPTION  | DRFTG | APP BY | DATE     |
| 14        | Per eco 7282 | PDM   | R.B.M. | 10-18-78 |
| 15        | PER ECO 9149 |       |        | 9-6-79   |



107000635-05  
003000635-2 2

THIS DRAWING AND SPECIFICATIONS HEREIN ARE THE PROPERTY OF DATA GENERAL CORPORATION AND SHALL NOT BE REPRODUCED OR COPIED OR USED IN WHOLE OR IN PART AS THE BASIS FOR MANUFACTURE OR SALE OF ITEMS WITHOUT WRITTEN PERMISSION.

|               |                 |          |
|---------------|-----------------|----------|
| DRAWN         | <i>R. Marsh</i> | 10-18-78 |
| CHECKED       |                 |          |
| ENGINEER      |                 |          |
| APPROVED      | <i>R.B.M.</i>   | 10-18-78 |
| FIRST USED ON | 005005933-U     |          |
| SCALE         | CODE IDENT      | 34984    |

|  |      |                |      |
|--|------|----------------|------|
| DATA GENERAL CORPORATION<br>SOUTHBORO, MASS. 01772 |      |                |      |
| TITLE<br>IPL<br>SERVO BOARD<br>CARTRIDGE DISK      |      |                |      |
| SIZE   | CODE | DRAWING NUMBER | REV. |
| C  | 016  | 000 265        | 15   |

| REVISIONS |             |       |        |      |
|-----------|-------------|-------|--------|------|
| REV       | DESCRIPTION | DRFTG | APP BY | DATE |
|           |             |       |        |      |



00300063518  
LAYER 5

THIS DRAWING AND SPECIFICATIONS HEREIN ARE THE PROPERTY OF DATA GENERAL CORPORATION AND SHALL NOT BE REPRODUCED OR COPIED OR USED IN WHOLE OR IN PART AS THE BASIS FOR MANUFACTURE OR SALE OF ITEMS WITHOUT WRITTEN PERMISSION.

|               |                 |          |
|---------------|-----------------|----------|
| DRAWN         | <i>R. G. M.</i> | 10-18-78 |
| CHECKED       |                 |          |
| ENGINEER      |                 |          |
| APPROVED      | <i>R. G. M.</i> | 10-18-78 |
| FIRST USED ON | 005005933-U     |          |
| SCALE         | CODE IDENT      | 34984    |

|  |      |                |     |
|--|------|----------------|-----|
| DATA GENERAL CORPORATION<br>SOUTHBORO, MASS. 01772 |      |                |     |
| TITLE<br>IPL<br>SERVO BOARD<br>CARTRIDGE DISK      |      |                |     |
| SIZE   | CODE | DRAWING NUMBER | REV |
| C  | 016  | 000 265        | 15  |