

LG

A

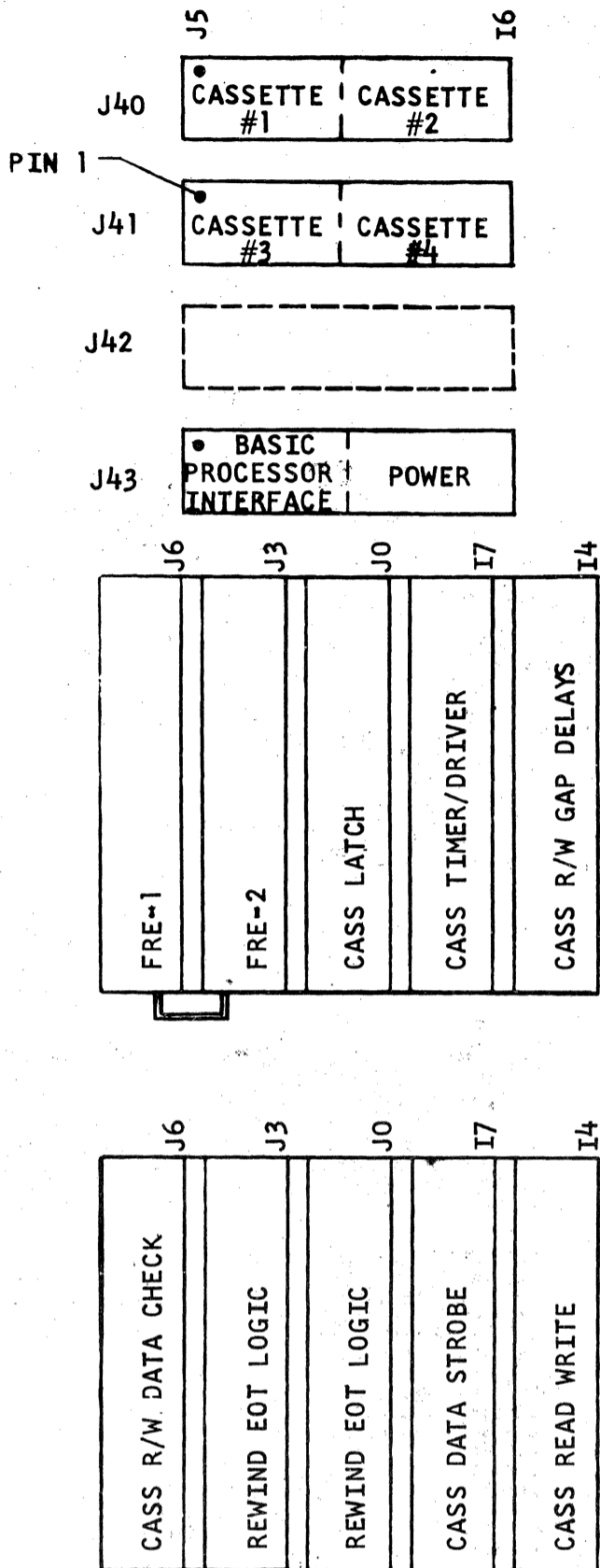
B

C

D

F

I



VIEWED FROM CARD SIDE OF BACKPLANE

INDICATES FRONTPLANE CONNECTOR 1534 3940

CARD LOCATION	CARD NAME	SCHEMATIC	DETAIL	ASSEMBLY	PARTS LIST IF APPLICABLE
FI4	CASS R/W GAP DELAYS	2475 2982	2475 2974	2475 2966	2475 9573PL
FI7	CASS TIMER/DRIVER	2473 3446	2473 3438	2473 3420	
FJ0	CASS LATCH	2475 2925	2475 2917	2475 2909	
FJ3	FRE-2	2474 0698	2474 0706	2474 0714	
FJ6	FRE-1	2471 9783	2471 9775	2471 9767	
HI4	CASS READ WRITE	2475 2891	2475 2883	2475 2875	
HI7	CASS DATA STROBE	2475 2867	2475 2859	2475 2842	
HJ0	REWIND EOT LOGIC	2473 3644	2473 3636	2473 3628	
HJ3	REWIND EOT LOGIC	2473 3602	2473 3636	2473 3628	
HJ6	CASS R/W DATA CHECK	2475 2958	2475 2941	2475 2933	

DWG NO. 2474 4740
 PAGE 1 OF 1

PAGE	E.R. DATE	REV
1	10-4-73	B

Burroughs Corporation SYSTEMS M & E GROUP PLYMOUTH, MICHIGAN 48170		PLYMOUTH PLANT U. S. AMERICA		TITLE CARD LOCATION CHART, MAG TAPE CASSETTE (A2391)		SYSTEM L8000		DWG. NO. 2474 4740	
DRAWN GABOR 3-30-73		CHECKED R. GLENN 5-15-73		RELEASED 2-5-73		REV LETTER B		PAGE 1 OF 1	

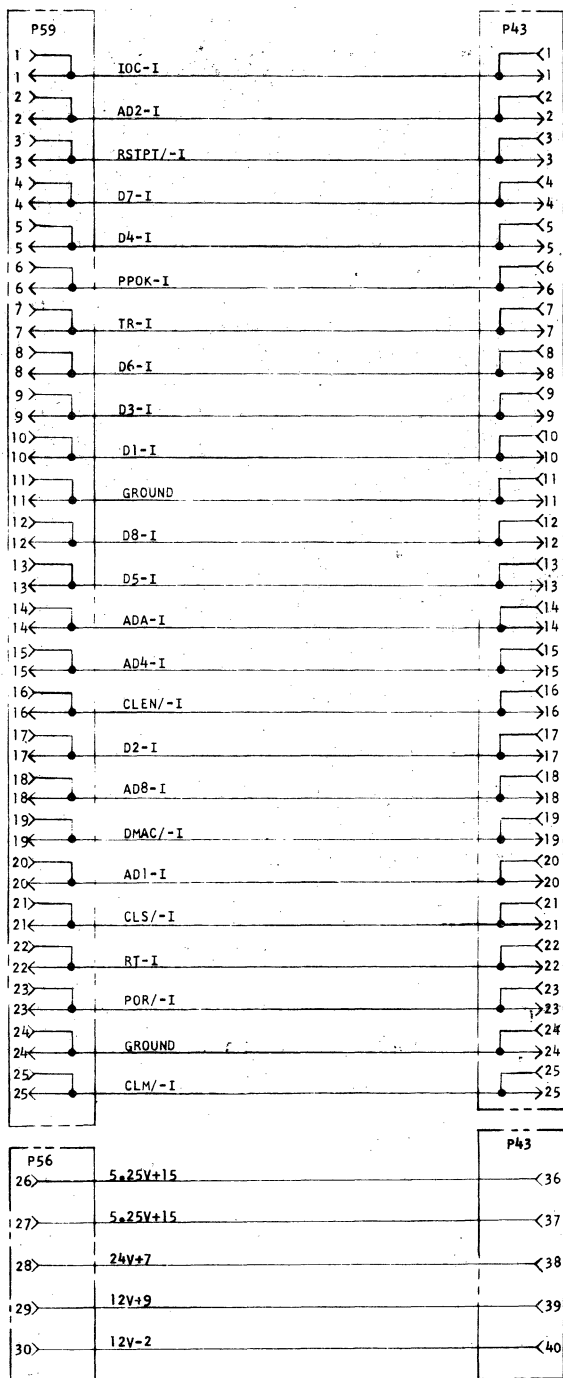
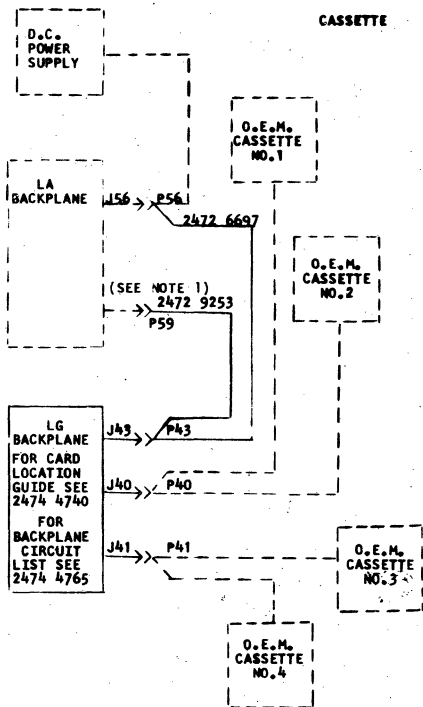
5-22-73

114

SCHEMATIC

INPUT

OUTPUT



J40 & J41

PIN	SIGNAL
1	5V+D12
2	GRDEJ1
3	12V+
4	GRDEJ3
5	12V-
6	GTRIP
7	GTRCL
8	GTWCP
9	GTWIL
10	IRL/
11	TRIP/
12	TRCL/
13	TWCP/
14	TWIL/
15	TRMP/
16	RCL/
17	TWL/
18	HSL/
19	FDL/
20	BDL/
21	CS1/
22	ICLPL/
23	TPRL/
24	TWRL/
25	ITREL/
26	2TREL/
27	TWRL/
28	TPRL/
29	2CLPL/
30	CS2/
31	BDL/
32	FDL/
33	HSL/
34	TWL/
35	RCL/
36	TRMP/
37	TWIL/
38	TWCP/
39	TRCL/
40	TRIP/
41	2RL/
42	GTWEL
43	GTWCP
44	GTRCL
45	GTRIP
46	12V-
47	GRDEJ6
48	12V+
49	GRDEJ7
50	5V+D12

NOTES:

- SEE RESPECTIVE SYSTEM SCHEMATIC FOR DESTINATION OF CONNECTOR ON "LA" BACKPLANE
- WIRING IN DASHED LINES SHOWN FOR REFERENCE ONLY.

DWG. NO. 2474 4757
PAGE 1 OF 1

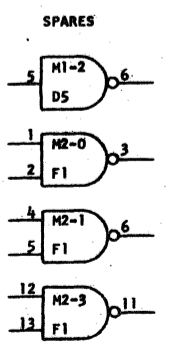
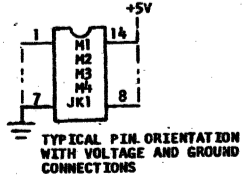
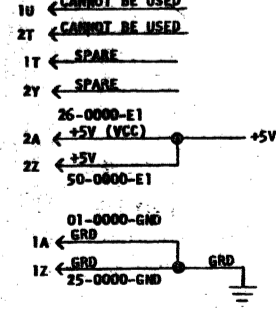
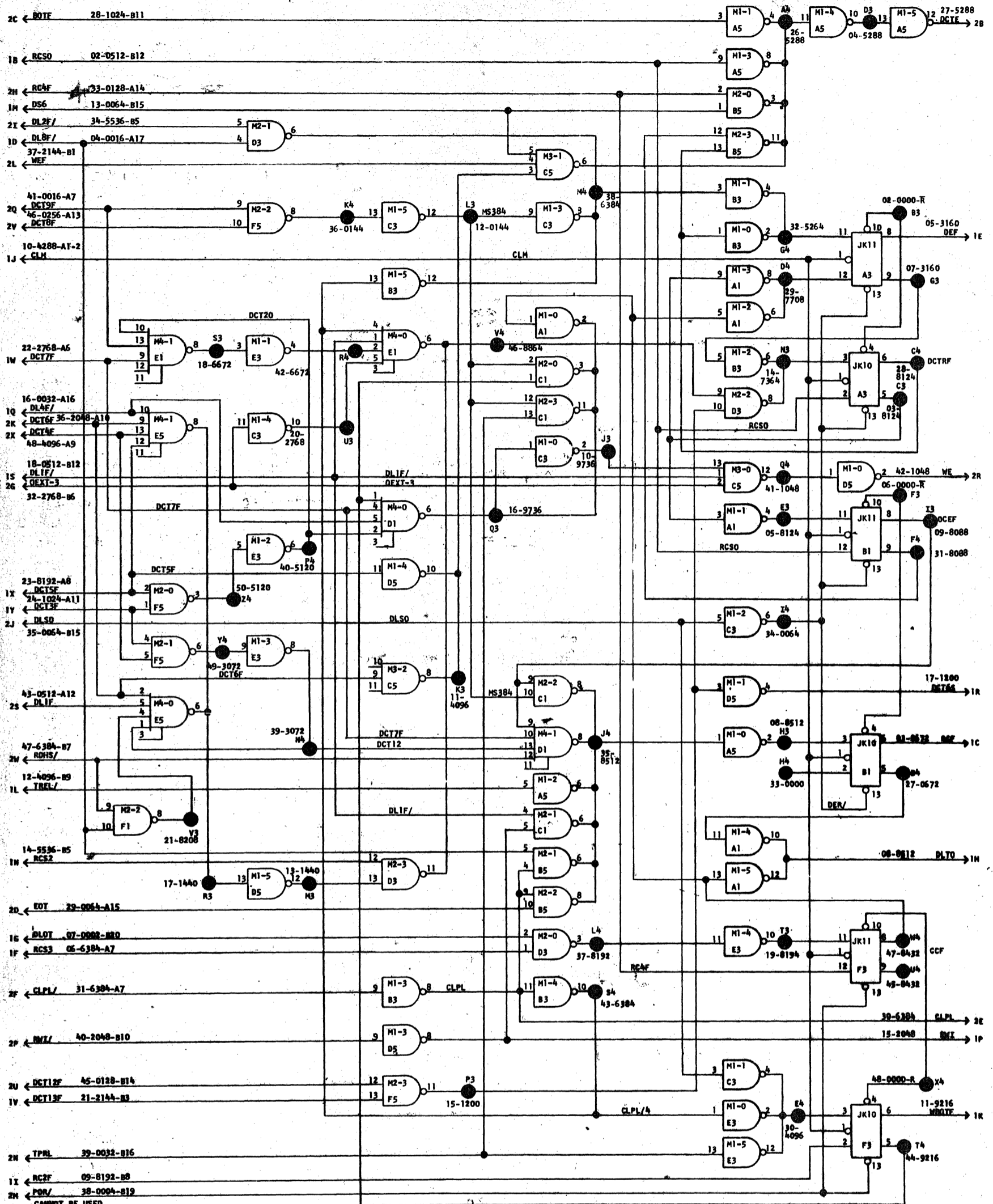
PAGE	DATE	REV
1	11-7-73	A

Burroughs Corporation SYSTEMS M & E GROUP PLYMOUTH, MICHIGAN 48170		PLYMOUTH PLANT U. S. AMERICA	
TITLE: WIRING SCHEMATIC, CASSETTE (A2391)			
SYSTEM: 18000		DWG. NO. 2474 4757	
DRAWN: 4-28-73	CHECKED: P. MESTERUK 4-30-73	RELEASED: 2-5-73	
APPROVED: <i>[Signature]</i>	REV LETTER: A	PAGE: 1 OF 1	

SCHEMATIC

INPUT

OUTPUT



- NOTES:
- FOR ASSEMBLY SEE 2475 2966
 - CO-ORDINATE WITHIN THE LOGIC SYMBOL INDICATES LOCATION OF PACKAGE
 - CODES USED FOR IDENTIFYING COMPONENT PART NUMBERS ARE AS FOLLOWS:
I.C.'S
M1 - 1471 4356
M2 - 1471 4364
M3 - 1471 4372
M4 - 1471 4380
JK1 - 1472 8331
 - LAST DIGIT OF I.C. CODE INDICATES ITS ELEMENT NUMBER
 - BACKPLANE PIN MUST BE HELD, SEE SCHEMATIC 2473 3446
 - THE NUMBERS XX-XXXX AND XX-XXXX-XXX ARE FOR DATA TEST 2000 PROGRAM SPECIFICATION 2478 0827 RELEASED 6-10-74

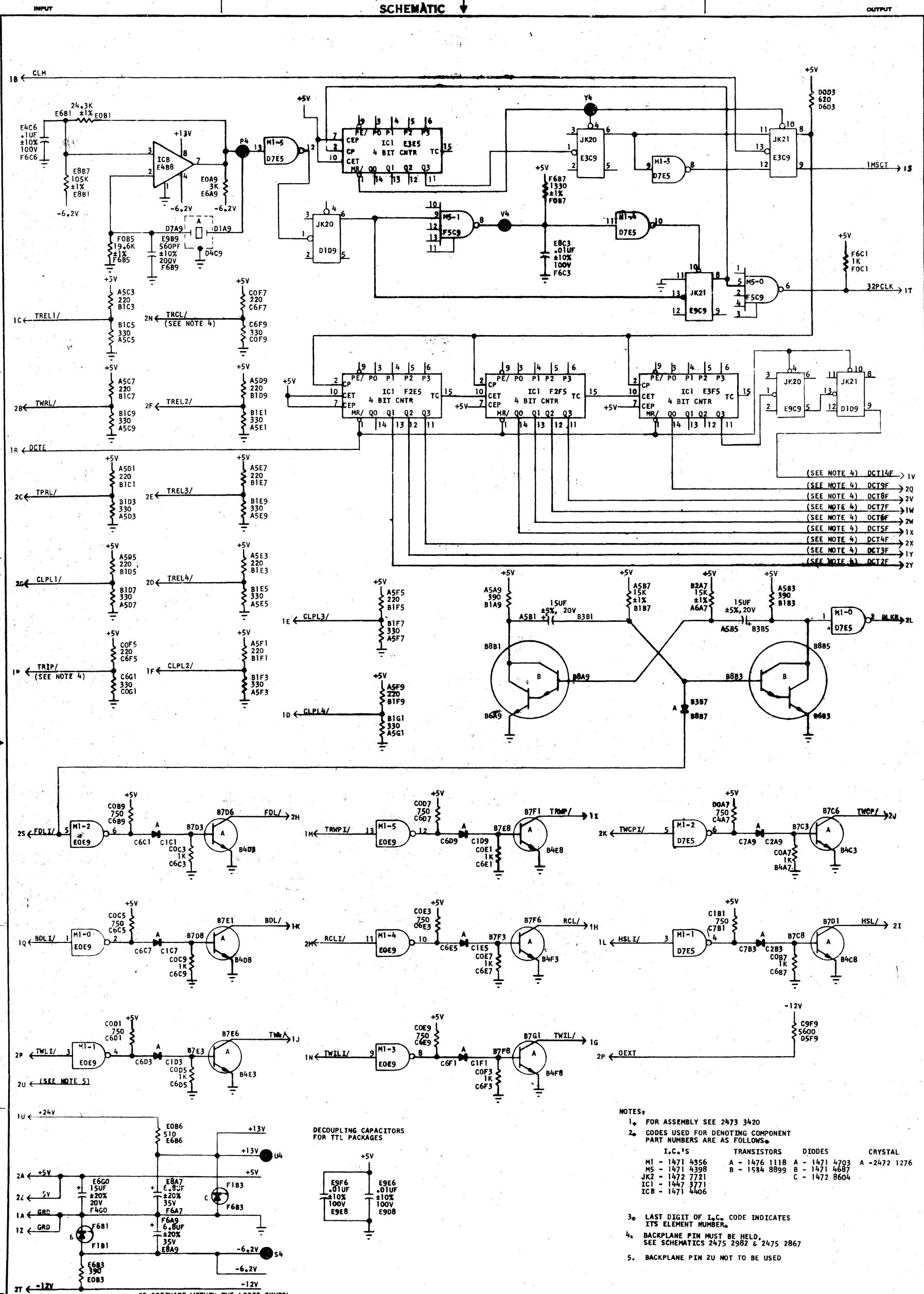
CARD LOC

2475 2982

PAGE	E.R.	DATE	REV
1		11-1-74	A

<p>Burroughs Corporation</p> <p>SYSTEMS M & E GROUP PLYMOUTH, MICHIGAN 48170</p>		<p>PLYMOUTH PLANT U.S. AMERICA</p>		<p>TITLE SCHEMATIC, BOARD, CASS R/W GAP DELAYS</p>		<p>SYSTEM 18000</p>		<p>DWG. NO. 2475 2982</p>	
<p>PROPRIETARY TO BURROUGHS CORP. - NOT TO BE REPRODUCED, NOR USED FOR MANUFACTURING PURPOSES EXCEPT ON BURROUGHS ORDER OR PRIOR WRITTEN CONSENT</p>		<p>APPROVED</p>		<p>DRAWN GABOR 4-18-73</p>		<p>CHECKED J. J. 4-18-73</p>		<p>RELEASED 10-28-72</p>	
								<p>REV LETTER A</p>	
								<p>PAGE 1 OF 1</p>	

SCHMATIC

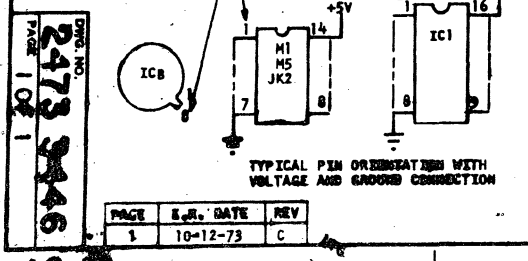


(SEE NOTE 4) DCT1F > 1V
 (SEE NOTE 4) DCT9F > 2V
 (SEE NOTE 4) DCT8F > 2V
 (SEE NOTE 4) DCT7F > 1W
 (SEE NOTE 4) DCT6F > 2W
 (SEE NOTE 4) DCT5F > 1X
 (SEE NOTE 4) DCT4F > 2X
 (SEE NOTE 4) DCT3F > 1Y
 (SEE NOTE 4) DCT2F > 2Y

- NOTES:
- FOR ASSEMBLY SEE 2473 3420
 - CODES USED FOR DENOTING COMPONENT PART NUMBERS ARE AS FOLLOWS:

I.C.'S	TRANSISTORS	DIODES	CRYSTAL
M1 - 1471 4356	A - 1476 1118	A - 1471 4703	A - 2472 1276
M5 - 1471 4398	B - 1534 8899	B - 1471 4687	
JK2 - 1472 7721			
IC1 - 1447 3771			
ICB - 1471 4406			
 - LAST DIGIT OF I.C. CODE INDICATES ITS ELEMENT NUMBER.
 - BACKPLANE PIN MUST BE HELD, SEE SCHEMATICS 2475 2982 & 2475 2867
 - BACKPLANE PIN 2U NOT TO BE USED

UNLESS OTHERWISE SPECIFIED:
 ALL RESISTANCE VALUES ARE IN OHMS, ±5%, 1/2W



Burrush Corporation PLYMOUTH PLANT U.S. ARMY

2473 3446

TITLE: SCHEMATIC, CARD, CASS TIMER/DRIVER

SYSTEM: SYSTEM M & E GROUP

DRAWN: OLIVER 7-21-72

CHECKED: WINSHIP 8-19-72

RELEASED: 5-3-71

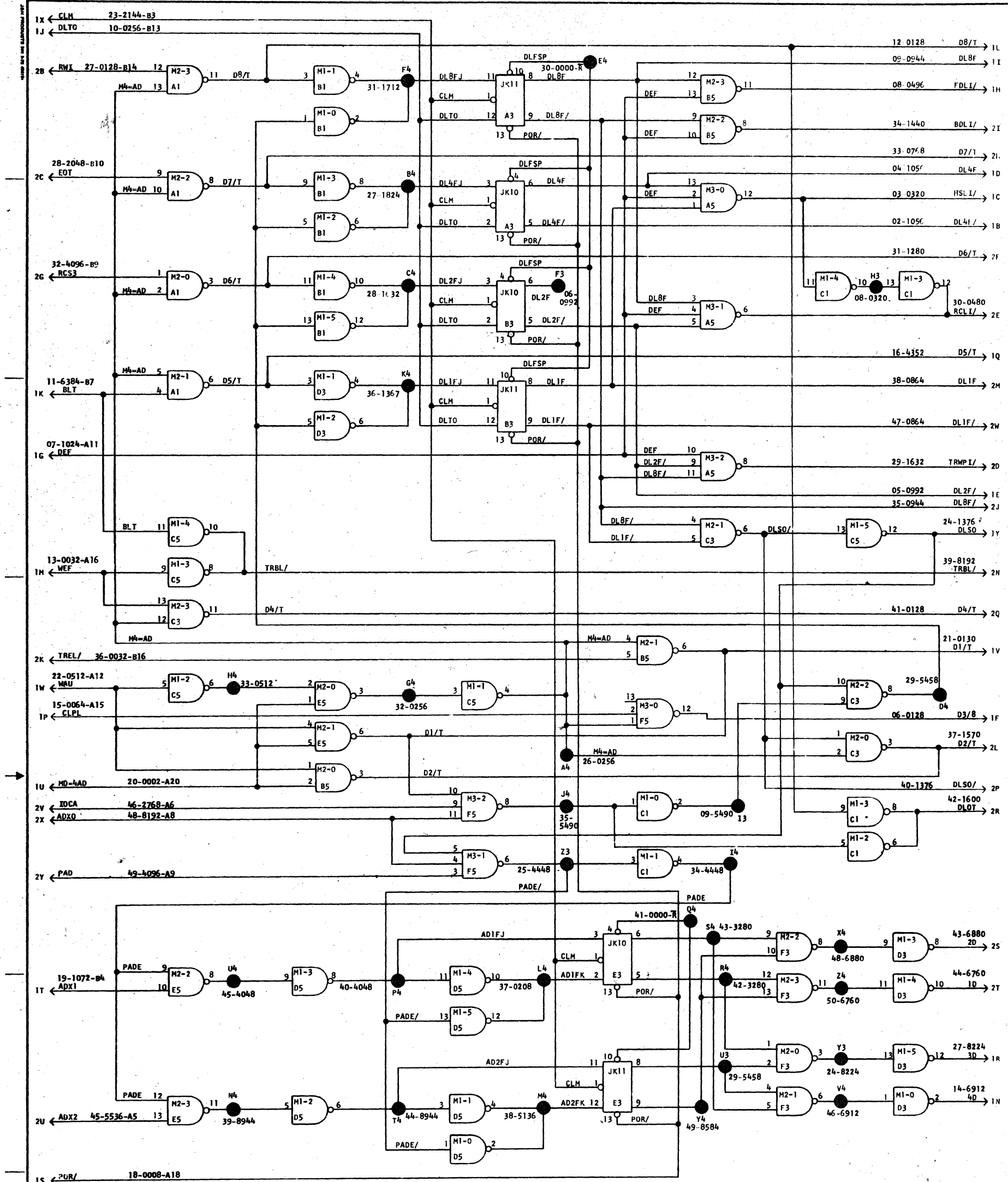
REV LETTER: C

PAGE 1 OF 1

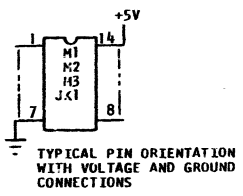
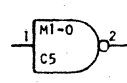
SCHEMATIC

INPUT

OUTPUT



SPARES



- NOTES:
- FOR ASSEMBLY SEE 2475 2909
 - CO-ORDINATE WITH THE LOGIC SYMBOL INDICATES LOCATION OF PACKAGE
 - CODES USED FOR DENOTING COMPONENT PART NUMBERS ARE AS FOLLOWS:
I.C.'S
M1 - 1471 4356
M2 - 1471 4364
M3 - 1471 4372
JK1 - 1472 8931
 - LAST DIGIT OF I.C. CODE INDICATES ITS ELEMENT NUMBER
 - THE NUMBERS XX XXXX XXX AND XX-XXXX ARE FOR DATA TEST 2000 PROGRAM SPECIFICATION 2478 0785 RELEASED 6-10-74.

CARD LOC

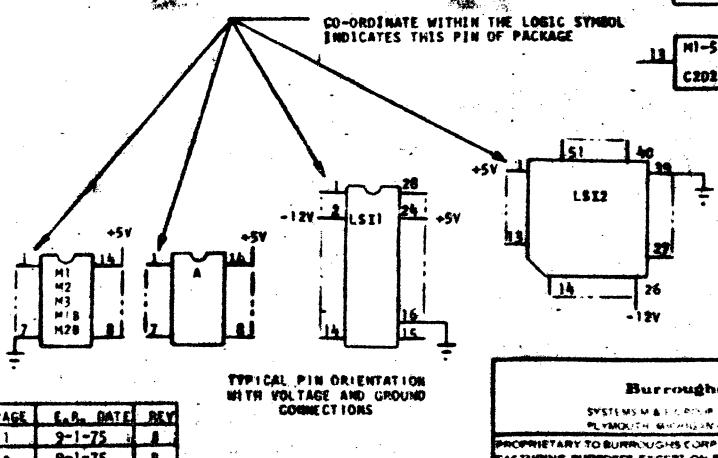
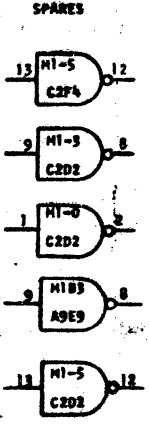
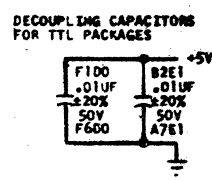
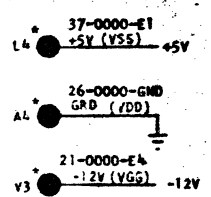
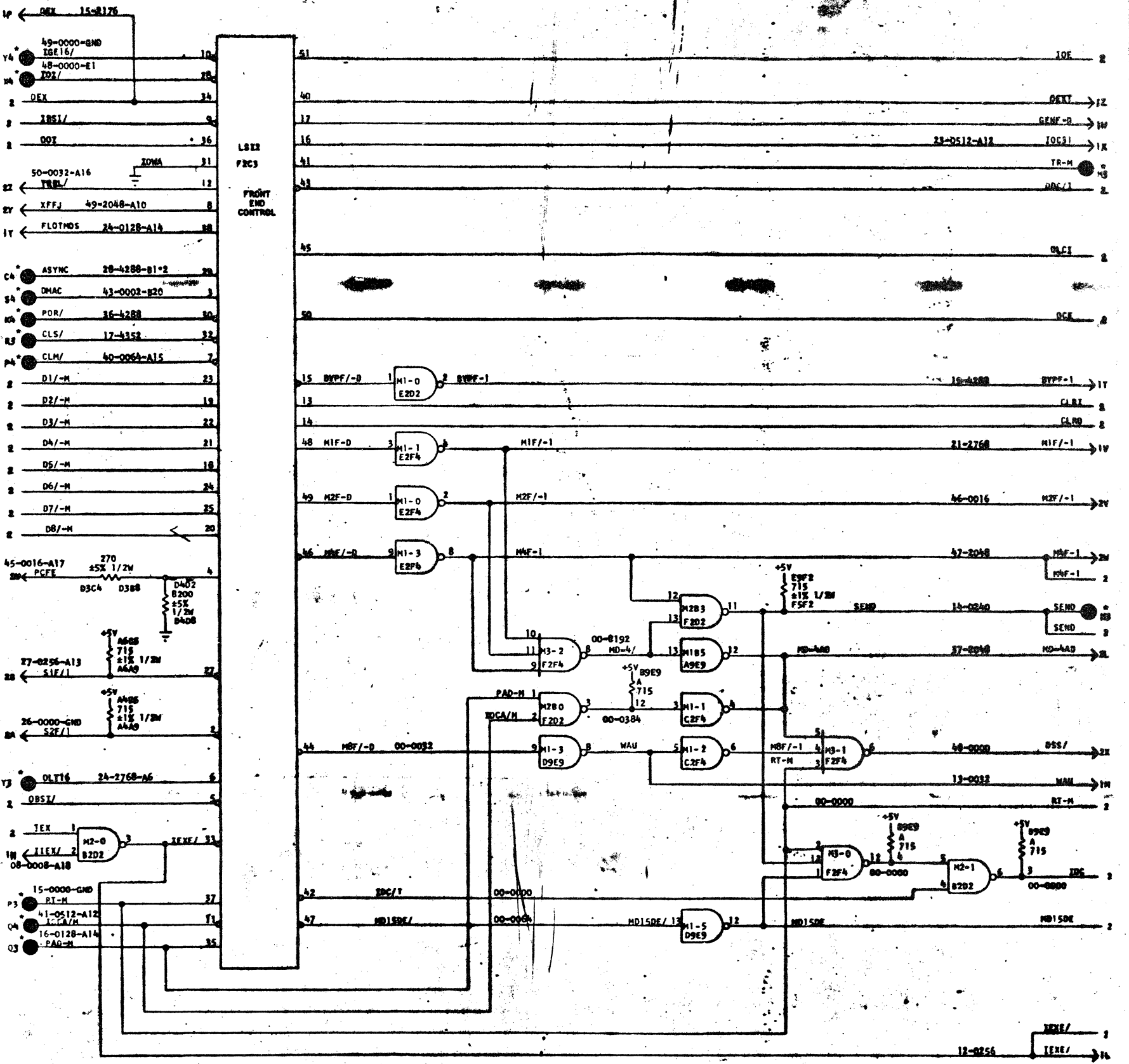
DWG. NO. 2475 2925
 PAGE 1 OF 1

PAGE	E.R. DATE	REV
1	11-1-74	A

Burroughs Corporation SYSTEMS M & E GROUP PLYMOUTH, MICHIGAN 48170		PLYMOUTH PLANT U.S. AMERICA	
TITLE SCHEMATIC, BOARD, CASS LATCH SYSTEM LB000		DWG. NO. 2475 2925	
DRAWN S. BALA 8-14-72	CHECKED ANDREWS 4-10-73	RELEASED 4-14-73	REV LETTER A
PROPRIETARY TO BURROUGHS CORP. - NOT TO BE REPRODUCED, NOR USED FOR MANUFACTURING PURPOSES EXCEPT ON BURROUGHS ORDER OR PRIOR WRITTEN CONSENT		APPROVED	PAGE 1 OF 1

L6-82

SCHMATIC



- NOTES:
- FOR ASSEMBLY SEE 2474 0714 E.R. DATE 10-4-74 FOR FINAL ASSEMBLY SEE 2473 0392 (PL), 2475 1034 (PL), 2475 1646 (PL), 2475 1653 (PL), 2475 9565 (PL) AND 2475 9573 (PL).
 - CODES USED FOR DENOTING COMPONENT PART NUMBERS ARE AS FOLLOWS:
I.C. 'S RESISTOR PKGS
M1 - 1471 4356 A - 2472 5111
M2 - 1471 4364
M3 - 1471 4372
M1B - 2470 1752
M2B - 2470 1752
LS11 - 2476 6407
LS12 - 2473 9875
 - LAST DIGIT OF I.C. CODE INDICATES ITS ELEMENT NUMBER
 - ALL FRONTPLANE PINS INDICATED WITH AN ASTERISK MUST MATE WITH FRONTPLANE PINS OF ASSEMBLY LOCATED IN ADJACENT CARD SLOT. SEE APPLICABLE CARD LOCATION CHART.
 - THE NUMBERS XX-XXXX AND XX-XXXX-XXX REFER TO THE DATA TEST 2000 PROGRAM SPECIFICATION 2478 0355, TEST 1 OF 6, RELEASED 6-10-74.
- UNLESS OTHERWISE SPECIFIED:
ALL RESISTANCE VALUES ARE IN OHMS, ±2% 1/8W

CARD LOG

TITLE SCHEMATIC, BOARD, FRC-2

SYSTEM

DATE 5-3-72

CHECKED

REVISION

DATE 12-14-72

LETTER

PAGE 1 OF 2

DWG NO 2474 0698

Burroughs Corporation

SYSTEMS MARKETING

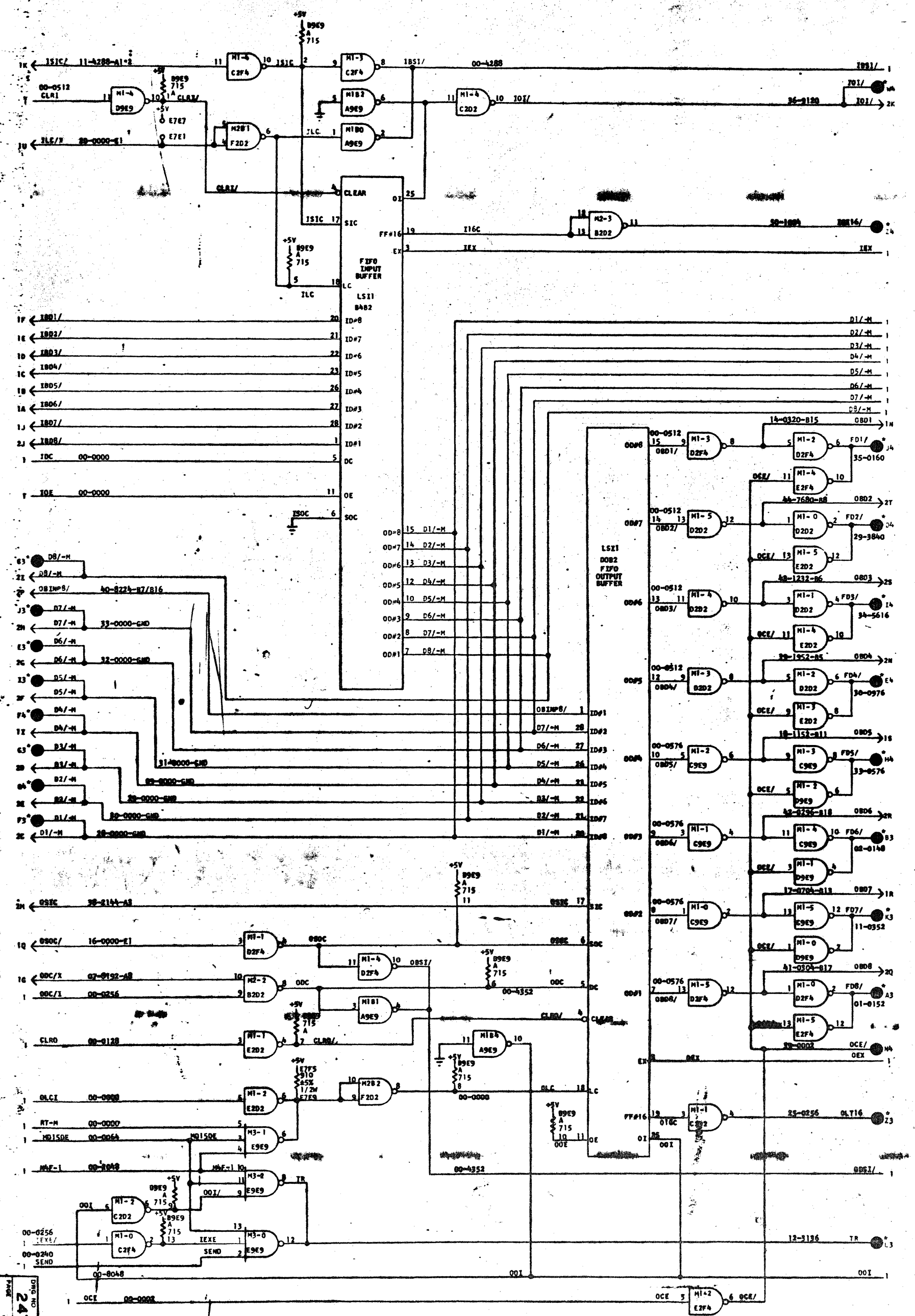
PLYMOUTH, MASSACHUSETTS 01960

PROPRIETARY TO BURROUGHS CORP. - NOT TO BE REPRODUCED OR USED FOR MANUFACTURING PURPOSES EXCEPT ON BURROUGHS ORDER OR PRIOR WRITTEN CONSENT

2474 0698

1 of 2

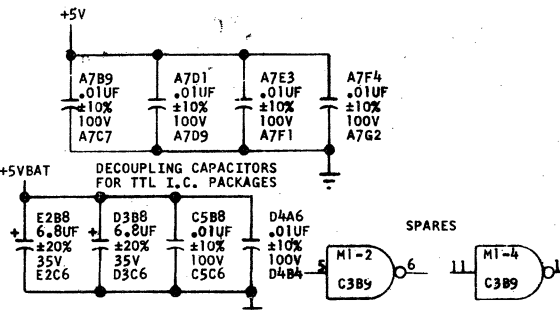
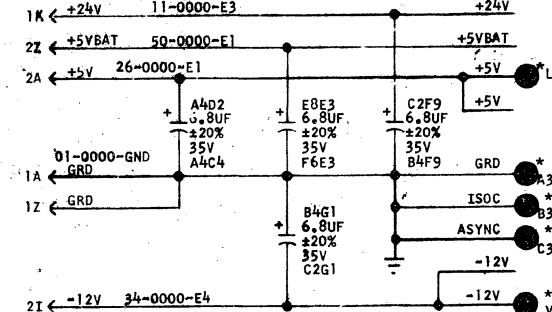
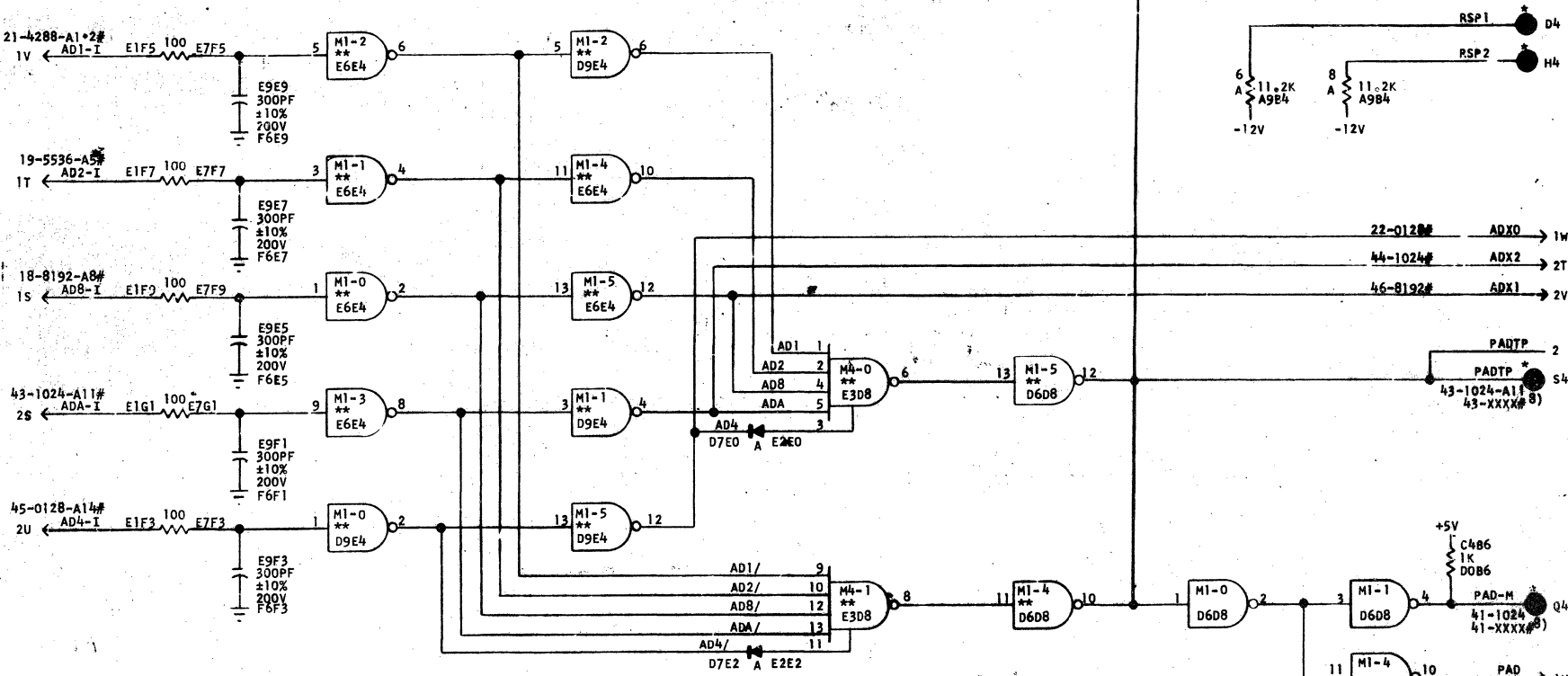
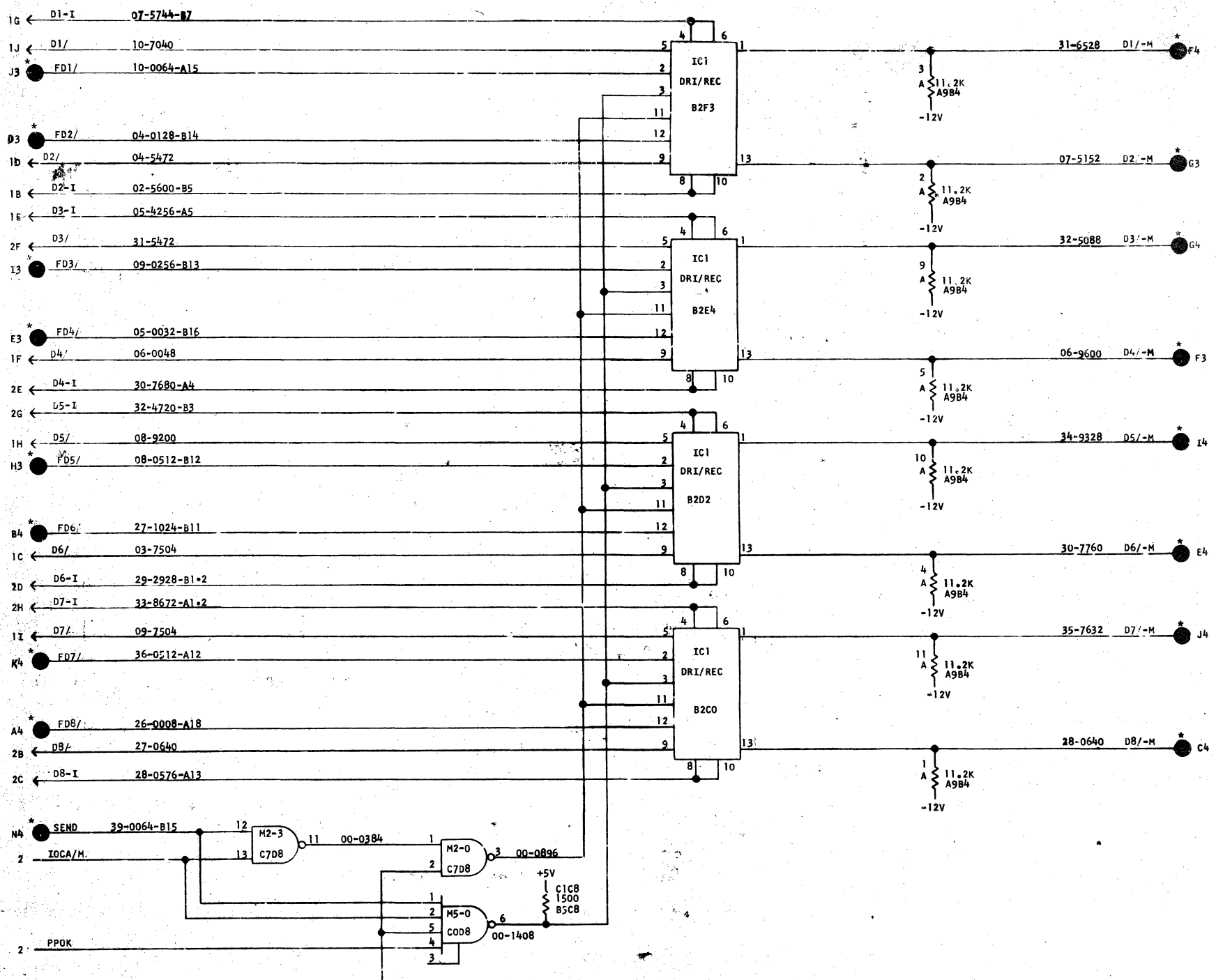
SCHMATIC



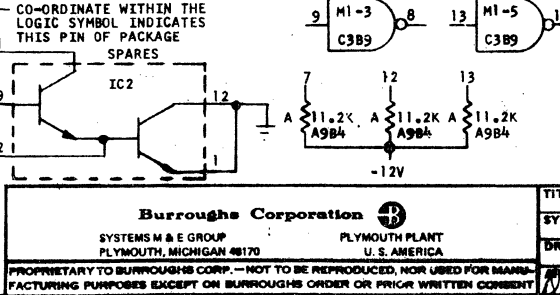
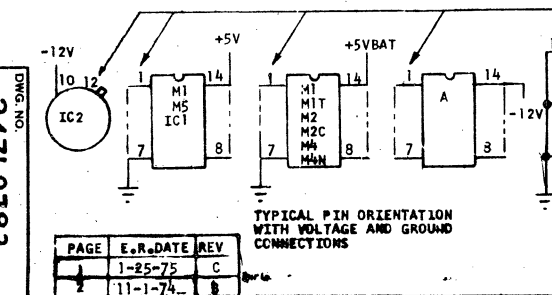
DWG NO. 2474 0898
PAGE 2 OF 2

Burroughs Corporation SYSTEMS M & E GROUP PLYMOUTH PLANT PLYMOUTH, MICHIGAN 48170 U.S.A.		TITLE SCHEMATIC, BOARD, FRE-2 SYSTEM DRAWN J. FISHER 5-3-72 CHECKED W. SHIP 6-24-72 RELEASED 12-14-72 REV LETTER B		DWG. NO. 2474 0898 PAGE 2 OF 2	
---	--	---	--	---	--

10P



- NOTES:
- FOR ASSEMBLY SEE 2471 9767 ER DATE 12-16-74
 - CODES USED FOR DENOTING COMPONENT PART NUMBERS ARE AS FOLLOWS:
- | I.C.'S | RESISTOR PKG | DIODE | TRANSISTORS |
|-----------------|---------------|---------------|---------------|
| M1 - 1471 4356 | A - 2472 7992 | A - 1471 4661 | A - 1476 1118 |
| M1T - 1479 7571 | | | B - 1473 7989 |
| M2 - 1471 4364 | | | C - 1472 8349 |
| M2C - 1447 3581 | | | |
| M4 - 1471 4380 | | | |
| M4N - 1479 0257 | | | |
| M5 - 1471 4398 | | | |
| IC1 - 2472 2548 | | | |
| IC2 - 1477 3436 | | | |
- LAST DIGIT OF I.C. CODE INDICATES ITS ELEMENT NUMBER
 - ALL FRONTPLANE PINS INDICATED WITH AN ASTERISK MUST MATE WITH FRONTPLANE PINS OF ASSEMBLY LOCATED IN ADJACENT CARD SLOT. SEE APPLICABLE CARD LOCATION CHART.
 - GATES WITH A DOUBLE ASTERISK (**) OPERATE FROM +5VBAT
 - THE NUMBERS XX-XXXX-XXX AND XX-XXXX ARE FOR THE DATA TEST 2000 PROGRAM SPECIFICATION 2478 0173 RELEASED 1-25-75
 - # REFERS TO DATA TEST 2000 TEST 2
 - THE VALUES OF THESE OUTPUT COUNTS ARE SHOWN IN FIGURE 1.0 OF THE DATA TEST 2000 PROGRAM SPECIFICATION 2478 0173 RELEASED 1-25-75.
- UNLESS OTHERWISE SPECIFIED:
ALL RESISTANCE VALUES ARE IN OHMS, ±5%, 1/2W



2471 9783
PAGE 1 OF 2

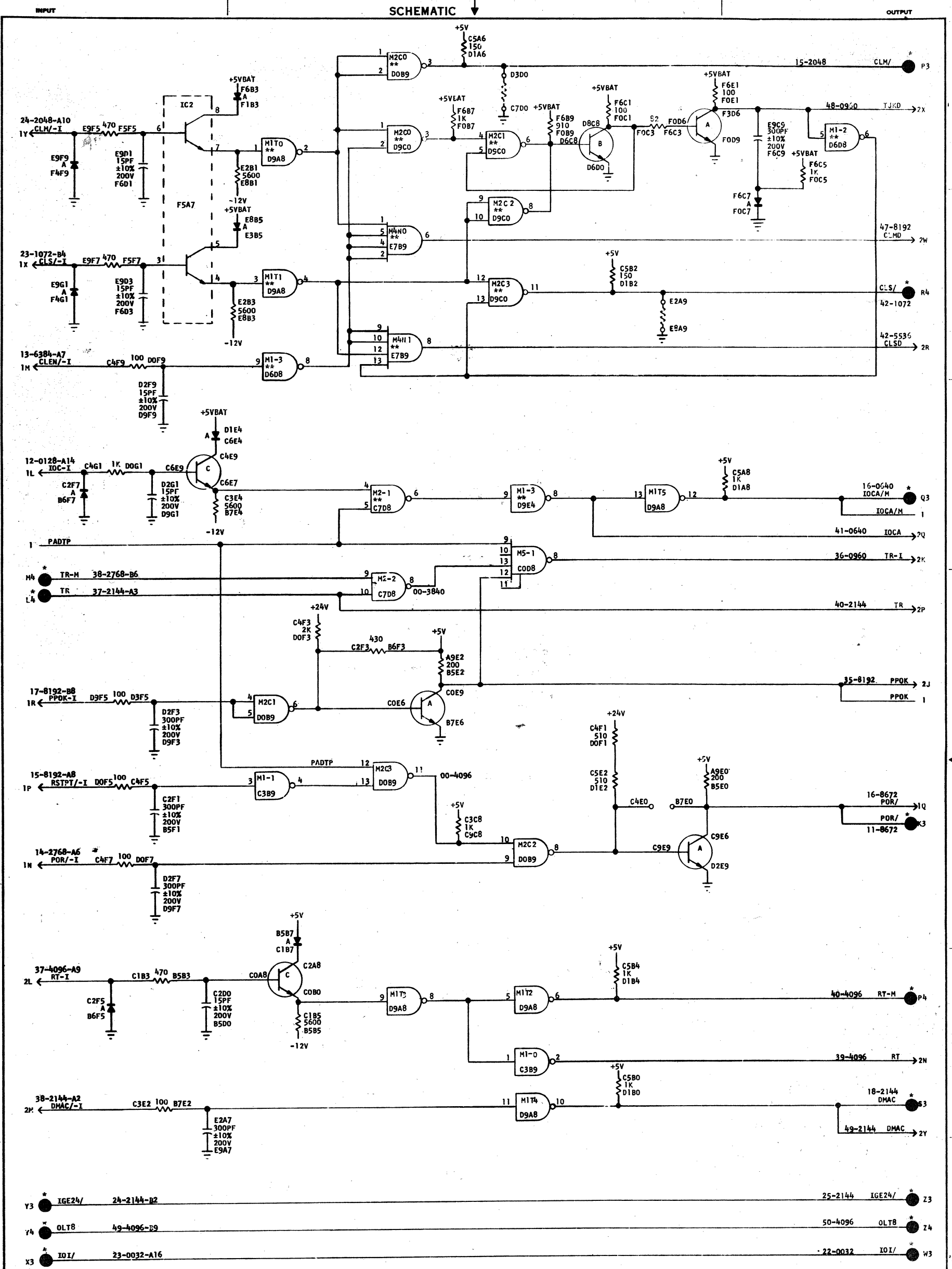
PAGE	E.R.	DATE	REV
1		1-25-75	C
2		11-1-74	B

Burroughs Corporation

SYSTEMS & E GROUP PLYMOUTH PLANT U.S. AMERICA
PLYMOUTH, MICHIGAN 48170

PROPERTY TO BURROUGHS CORP. - NOT TO BE REPRODUCED NOR USED FOR MANUFACTURING PURPOSES EXCEPT ON BURROUGHS ORDER OR PRIOR WRITTEN CONSENT

TITLE SCHEMATIC, BOARD, FRE-1		DWG. NO. 2471 9783	
SYSTEM L6000	CHECKED 8-4-72	REV LETTER C	PAGE 1 OF 2
DRAWN ANDREWS 6-14-72	RELEASED 5-3-71		

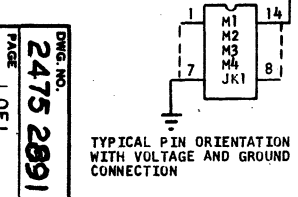
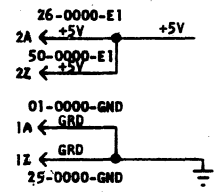
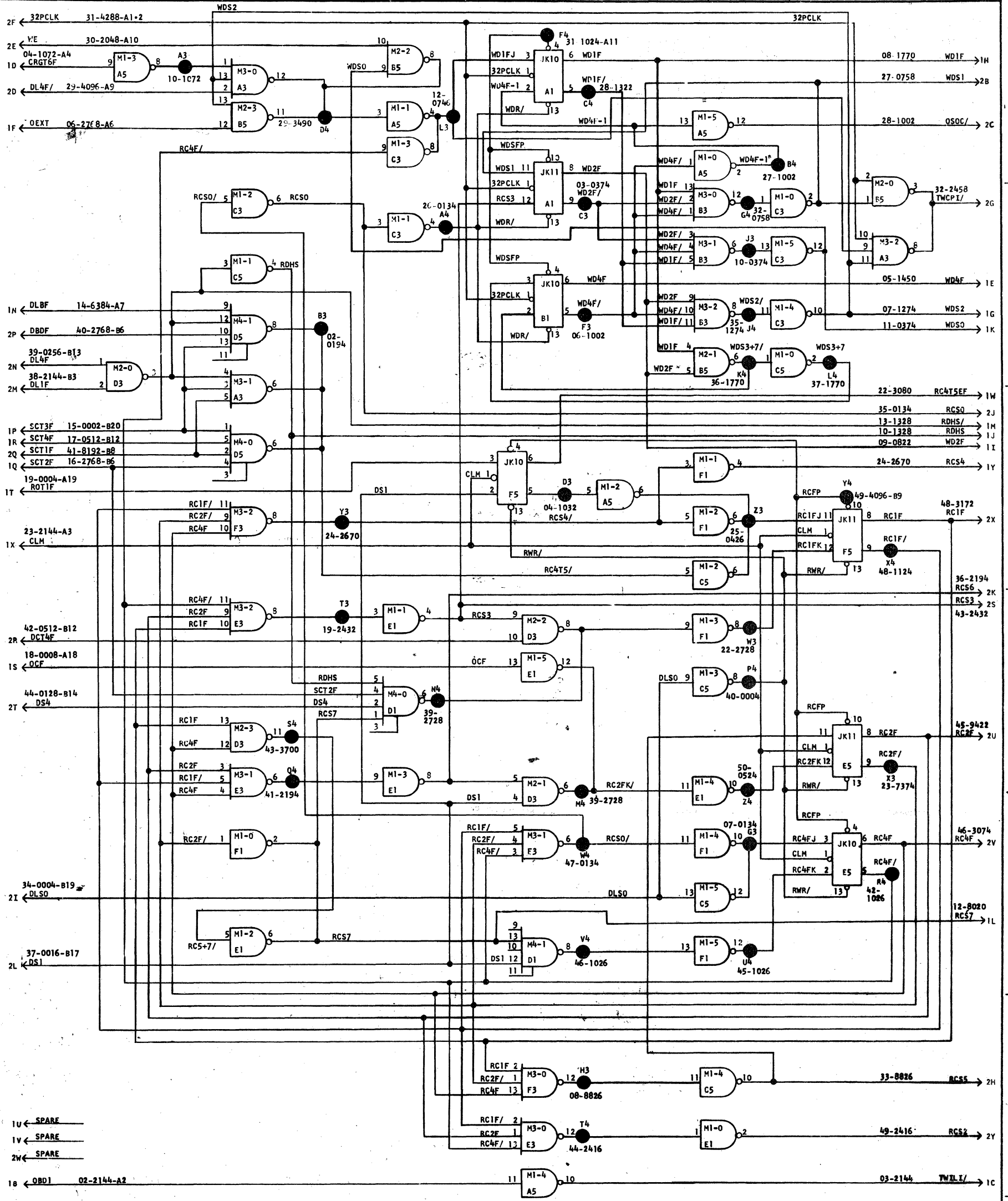


DWG. NO. 2471 9783
PAGE 2 OF 2

SCHEMATIC

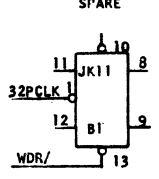
INPUT

OUTPUT



PAGE	E.R. DATE	REV
1	11-1-74	A

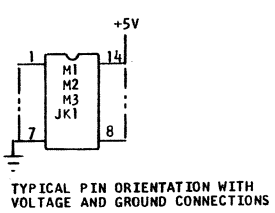
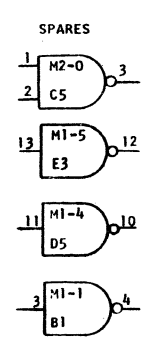
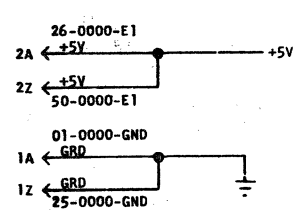
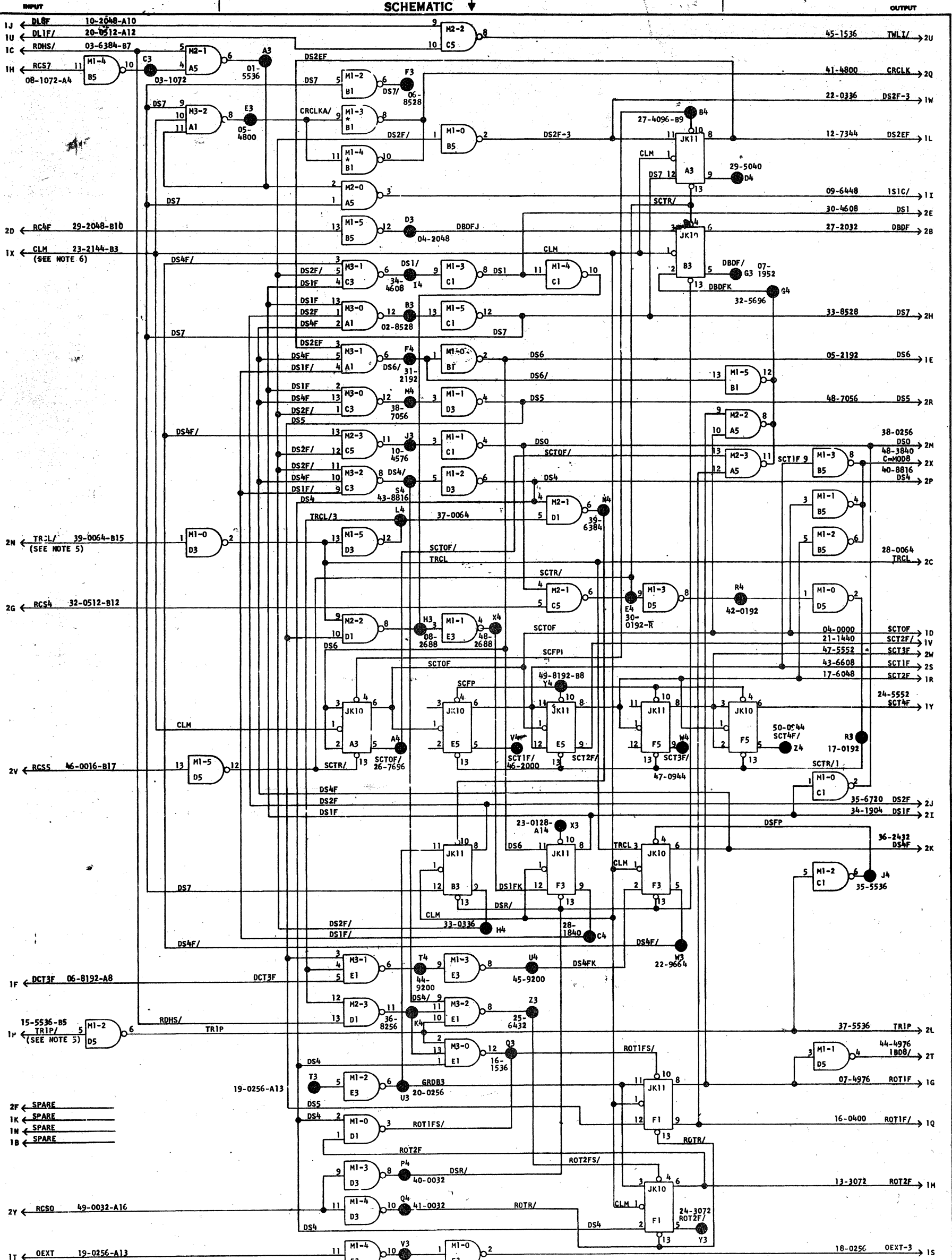
- NOTES:
- FOR ASSEMBLY SEE 2475 2875
 - CO-ORDINATE WITHIN THE LOGIC SYMBOL INDICATES LOCATION OF PACKAGE.
 - CODES USED FOR DENOTING PART NUMBERS ARE AS FOLLOWS:
I.C.'S
M1 - 1471 4356
M2 - 1471 4364
M3 - 1471 4372
M4 - 1471 4380
JK1 - 1472 8531
 - LAST DIGIT OF I.C. CODE INDICATES ITS ELEMENT NUMBER
 - THE NUMBERS XX-XXXX-XXX AND XX-XXXX ARE FOR DATA TEST 2000 PROGRAM SPECIFICATION 2478 0793 RELEASED 6-10-74.



CARD LOC

Burroughs Corporation SYSTEMS M & E GROUP PLYMOUTH, MICHIGAN 48170		PLYMOUTH PLANT U. S. AMERICA	
TITLE SCHEMATIC BOARD, CASS READ/WRITE SYSTEM L8000		DWG. NO. 2475 2891	
DRAWN CRUMFORD 4-17-73 APPROVED	CHECKED E HALE 4-23-73 RELEASED 4-14-73	REV LETTER A	PAGE 1 OF 1

SCHMATIC



- NOTES:
- FOR ASSEMBLY SEE 2475 2842
 - CO-ORDINATE WITH THE LOGIC SYMBOL INDICATES LOCATION OF PACKAGE
 - CODES USED FOR DENOTING COMPONENT PART NUMBERS ARE AS FOLLOWS:
I.C.'s
M1 - 1471 4356
M2 - 1471 4364
M3 - 1471 4372
JK1 - 1472 8331
 - LAST DIGIT OF I.C. CODE INDICATES ITS ELEMENT NUMBER
 - BACKPLANE PIN MUST BE HELD, SEE SCHEMATIC 2473 3446
 - ALL CLOCK BACKPLANE PINS MUST BE HELD
 - ALL GATES INDICATED WITH AN ASTERISK (*) MUST BE IN THE SAME CHIP
 - THE NUMBERS XX-XXXX AND XX-XXXX-XXX ARE FOR DATA TEST 2000 PROGRAM SPECIFICATION 2478 0801 RELEASED 10-74.

CARD LOC

Burroughs Corporation SYSTEMS & E GROUP PLYMOUTH PLANT U.S. AMERICA		TITLE SCHEMATIC, BOARD, CASS DATA STROBE SYSTEM L8000 DRAWN TROY 4-19-73 APPROVED [Signature]		DWG. NO. 2475 2867 CHECKED [Signature] RELEASED 10-28-72 REV LETTER B PAGE 1 OF 1	
---	--	--	--	---	--

2475 2867

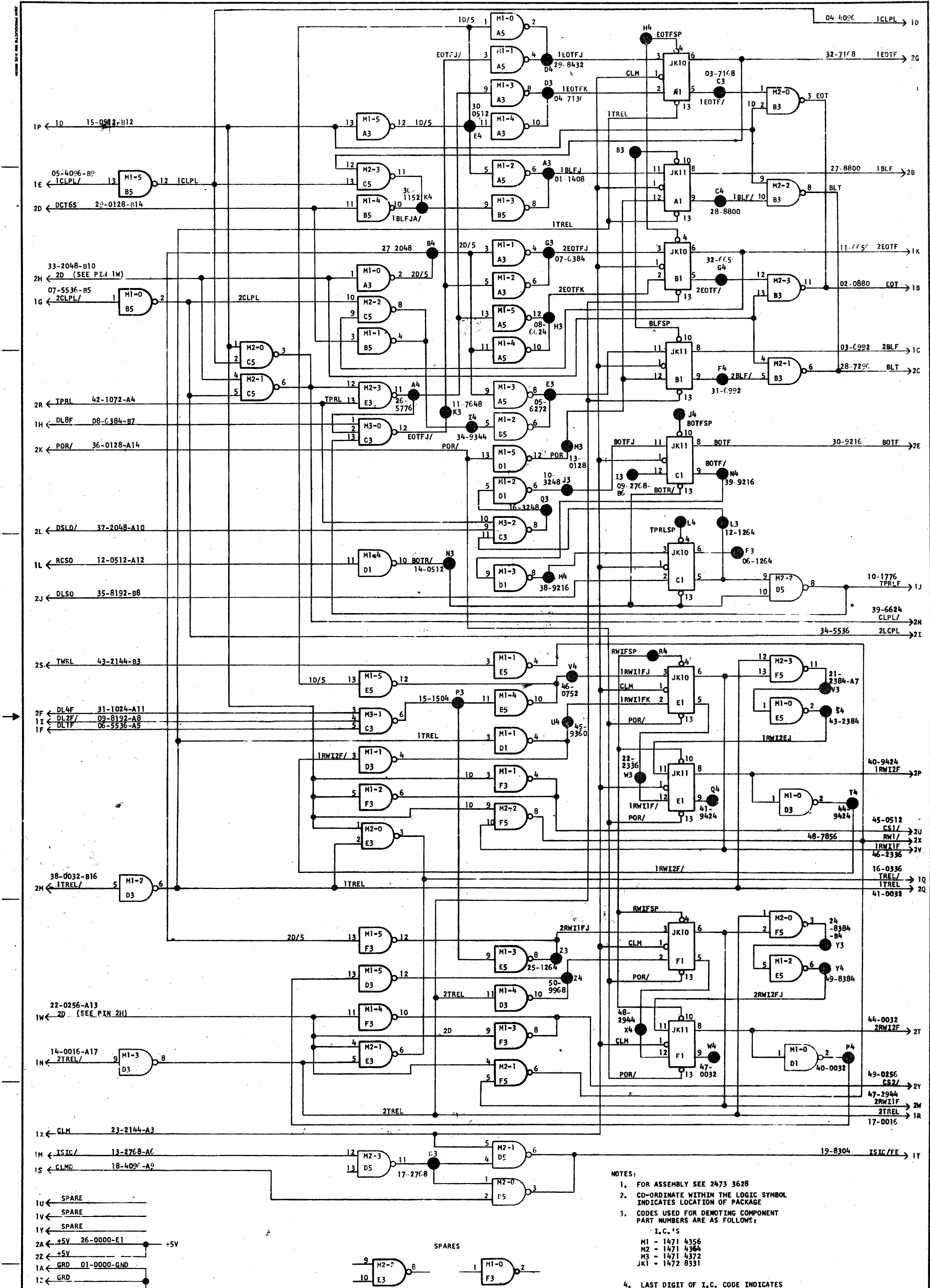
L6-84

MFG.

INPUT

SCHMATIC

OUTPUT



- NOTES:
- FOR ASSEMBLY SEE 2473 3628
 - CO-ORDINATE WITHIN THE LOGIC SYMBOL INDICATES LOCATION OF PACKAGE
 - CODES USED FOR DEMOTING COMPONENT PART NUMBERS ARE AS FOLLOWS:
I.C.'S
M1 - 1471 4356
M2 - 1471 4364
M3 - 1471 4372
JK1 - 1472 8331
 - LAST DIGIT OF I.C. CODE INDICATES ITS ELEMENT NUMBER
 - THE NUMBERS XX-XXXX XXX AND XX-XXXX ARE FOR THE DATA TEST 2000 PROGRAM SPECIFICATION 2478 0835 RELEASED 10 74

CARD LOC

2473 3644
PAGE 1 OF 1

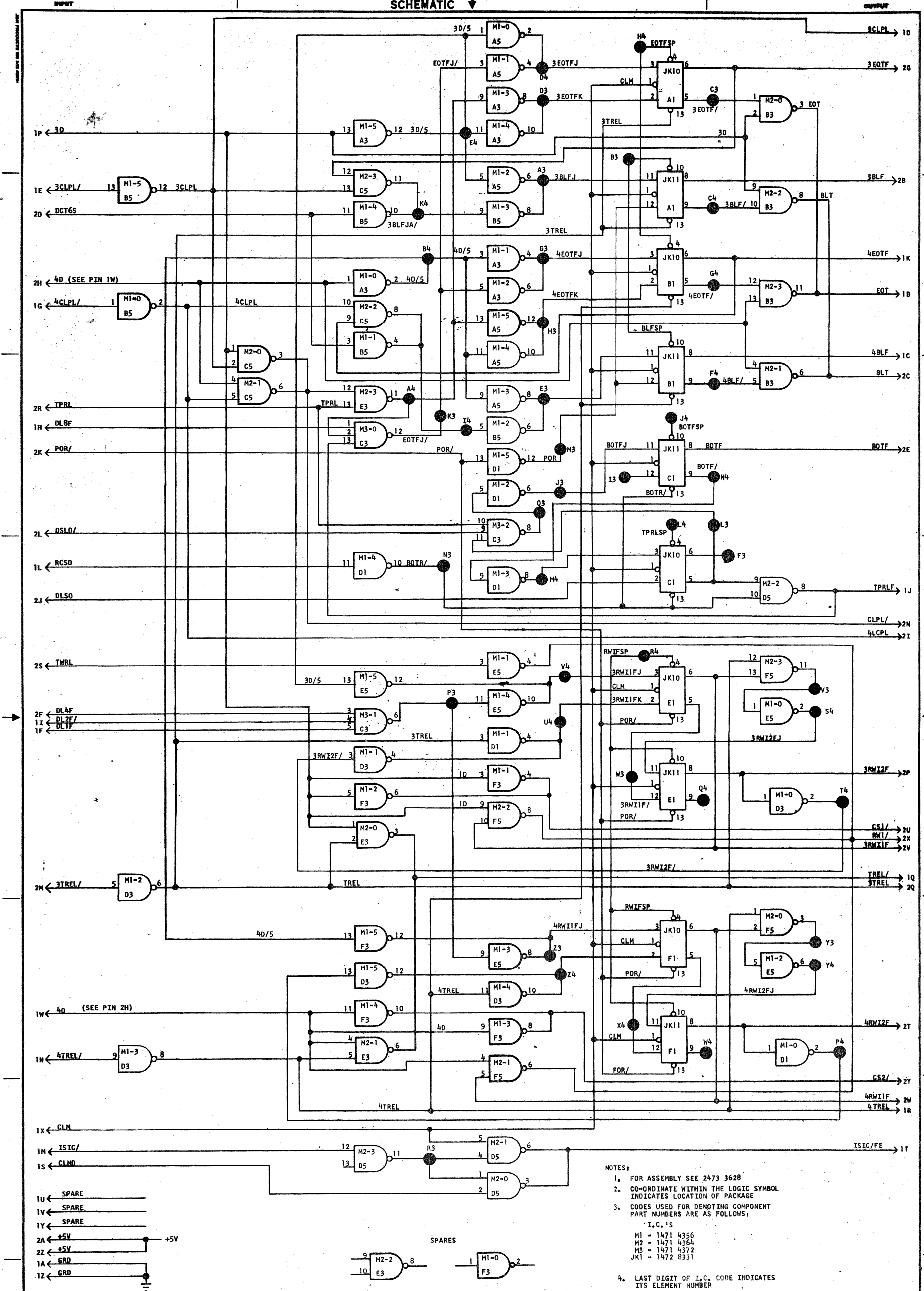
TYPICAL PIN ORIENTATION WITH VOLTAGE AND GROUND CONNECTIONS

PAGE	E.R.	DATE	REV
1	11-1-74	B	

Burroughs Corporation		PLYMOUTH PLANT PLYMOUTH, MICHIGAN 48170 U.S. AMERICA	
SYSTEM		TITLE SCHEMATIC, BOARD, REVIND/EOT LOGIC	
DRAWN	J. BADER 8-18-72	CHECKED	W. J. B. 7-28-72 C. B. 8-28-72
APPROVED		RELEASED	5-3-71
DWG. NO. 2473 3644		PAGE 1 OF 1	

SCHMATIC

OUTPUT



NOTES:

- FOR ASSEMBLY SEE 2473 3628
- CO-ORDINATE WITHIN THE LOGIC SYMBOL INDICATES LOCATION OF PACKAGE
- CODES USED FOR DENOTING COMPONENT PART NUMBERS ARE AS FOLLOWS:
I.C.'S
M1 - 1471 4356
M2 - 1471 4364
M3 - 1471 4372
JK1 - 1472 8331
- LAST DIGIT OF I.C. CODE INDICATES ITS ELEMENT NUMBER

DWG. NO. 2473 3602
PAGE 1 OF 1

TYPICAL PIN ORIENTATION WITH VOLTAGE AND GROUND CONNECTIONS

PAGE E, R, DATE REV

Burroughs Corporation
SYSTEMS M & E GROUP PLYMOUTH PLANT PLYMOUTH, MICHIGAN 48170 U. S. AMERICA

TITLE SCHEMATIC, CARD, REWIND/EOT LOGIC

SYSTEM DRAWN BY J. B. D. 9-18-72 CHECKED BY J. B. D. 9-18-72

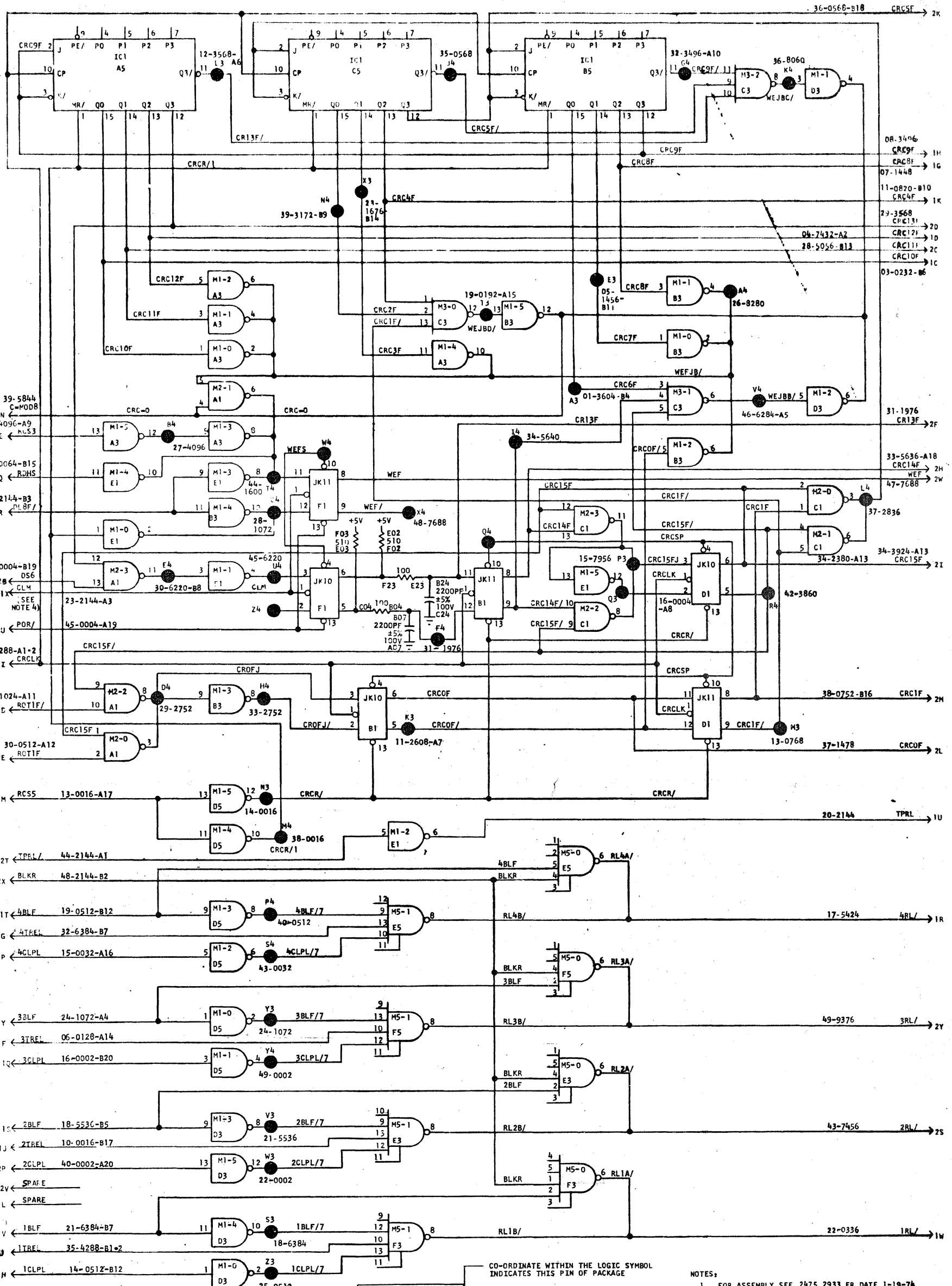
APPROVED BY J. B. D. 9-18-72

DWG. NO. 2473 3602

DATE 10-28-72

PAGE 1 OF 1

L6-86



- NOTES:
- FOR ASSEMBLY USE 2475 2933 ER DATE 1-19-74
 - CODES USED FOR DENOTING COMPONENT PART NUMBERS ARE AS FOLLOWS:
I.C.'S
M1 - 1471 4356
M2 - 1471 4364
M3 - 1471 4372
M4 - 1471 4398
M5 - 1472 8331
JK1 - 1447 3755
JK1 - 1447 3755
 - LAST DIGIT OF I.C. CODE INDICATES ITS ELEMENT NUMBER
 - ALL CLOCK BACKPLANE PINS MUST BE HELD.
 - THE NUMBERS XX-XXXX-XXX AND XX-XXXX ARE FOR THE DATA TEST 2000 PROGRAM SPECIFICATION 2478 2819 RELEASED 1-25-75.

UNLESS OTHERWISE SPECIFIED:
ALL RESISTANCE VALUES ARE IN OHMS, ±5%, 1/2W

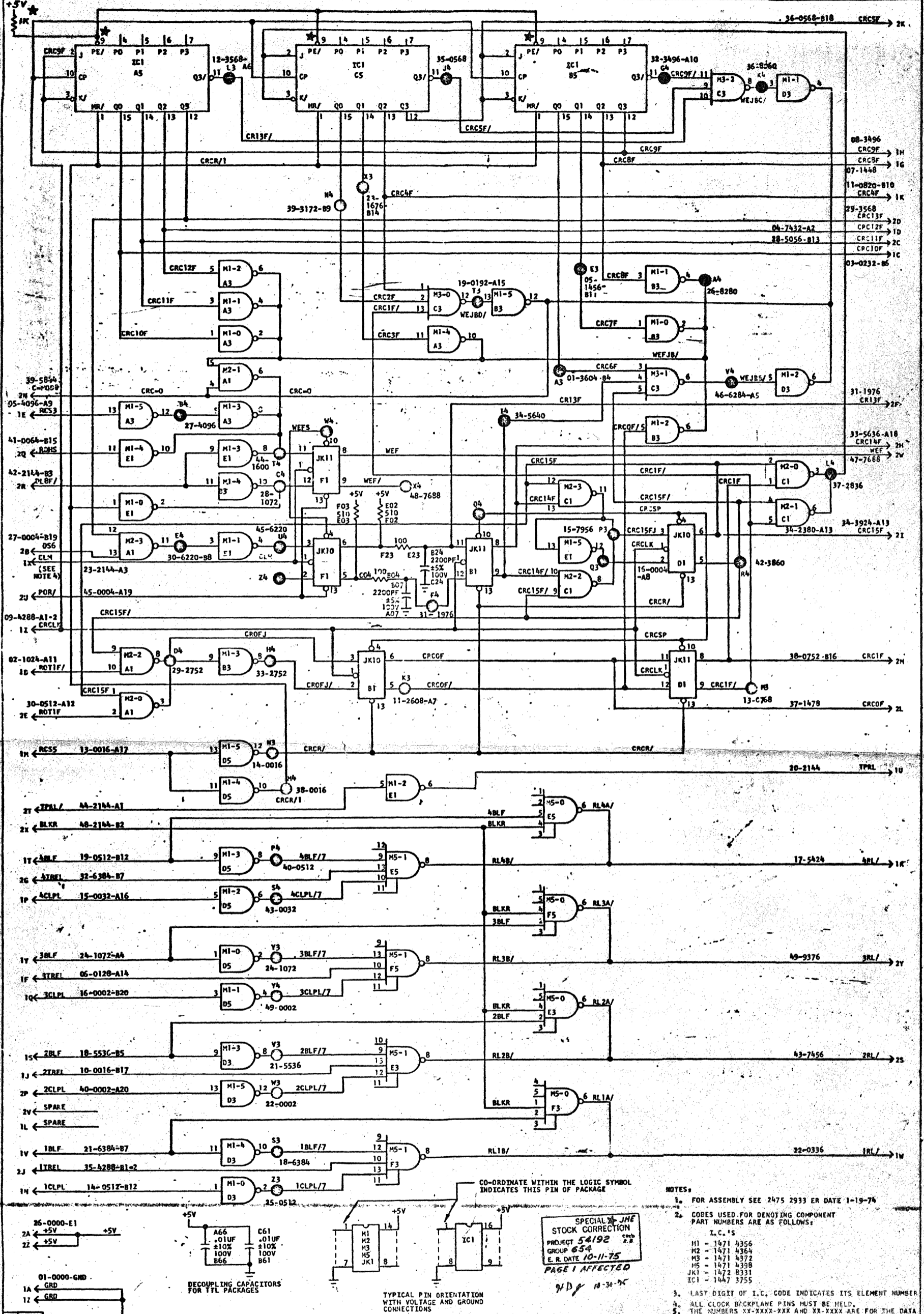
CARD LOC

DWG NO. 2475 2958

PAGE	E.R. DATE	REV
1	1-25-75	C

Burroughs Corporation SYSTEMS M & E GROUP PLYMOUTH PLANT PLYMOUTH, MICHIGAN 48170 U.S.A.		TITLE SCHEMATIC BOARD, CASS F/W DATA CHECK SYSTEM LS000 DRAWN STANFORD APPROVED	CHECKED RELEASED 1-28-72 REV LETTER D PAGE 1 OF 1
PROPRIETARY TO BURROUGHS CORP - NOT TO BE REPRODUCED NOR USED FOR MANUFACTURING PURPOSES EXCEPT ON BURROUGHS ORDER OR PRIOR WRITTEN CONSENT		DWG. NO. 2475 2958	

SCHEMATIC



- NOTES:
- FOR ASSEMBLY SEE 2475 2933 ER DATE 1-19-74
 - CODES USED FOR DENOTING COMPONENT PART NUMBERS ARE AS FOLLOWS:
I.C.'S
M1 - 1471 4356
M2 - 1471 4364
M3 - 1471 4372
M4 - 1471 4338
M5 - 1472 8331
JK1 - 1447 3755
 - LAST DIGIT OF I.C. CODE INDICATES ITS ELEMENT NUMBER
 - ALL CLOCK BACKPLANE PINS MUST BE HELD.
 - THE NUMBERS XX-XXXX-XXX AND XX-XXXX ARE FOR THE DATA TEST 2000 PROGRAM SPECIFICATION 2478 3819 RELEASED 1-25-75.
- UNLESS OTHERWISE SPECIFIED:
ALL RESISTANCE VALUES ARE IN OHMS. ±5%, 1/2W

SPECIAL JHE STOCK CORRECTION
PROJECT 54192
GROUP 654
E. R. DATE 10-11-75
PAGE 1 AFFECTED
N/D 10-30-75

2475 2958

PAGE	E.R. DATE	REV
1	1-25-75	D

Burroughs Corporation SYSTEMS & E GROUP PLYMOUTH MICHIGAN 48170		PLYMOUTH PLANT U. S. AMERICA	
TITLE SCHEMATIC BOARD, CASS R/W DATA CHECK SYSTEM 1-9000 DRAWN FRAINFORD APPROVED [Signature]		DWG. NO. 2475 2958 CHECKED [Signature] RELEASED 10-28-72 REV LETTER D PAGE 1/1	