

B5500 4 USEC CORE MEMORY

Logic Schematics

LOGIC SCHEMATIC

INPUT	0	1	2	3	4	5	6	7	8	9	OUTPUT
PAGE NO.											
TITLE OF DRAWING											
DRAWING NO.											
A A A A	DELETF	AR-00-00-0	CLOCKS AND OSCILLATOR-ACDF 'A' REG COUNT DELAY					H-11167319AD			
A A A A	ADD	AR-00-00-0	CLOCKS AND OSCILLATOR-ACDF 'A' REG COUNT DELAY					H-11167319AE			
A A A A	DELETF	AR-10-00-0	MULTIPLIER MR2M MIMM MW2M MRWD MS1M					H-11167327AE			
A A A A	ADD	AR-10-00-0	MULTIPLIER MR2M MIMM MW2M MRWD MS1M					H-11167327AF			
B B B B	DELETF	AR-10-01-0	MULTIPLIER MW2S MICH - CONTROL CKTS MACD STTP P03S					H-11167335AC			
B B B B	ADD	AR-10-01-0	MULTIPLIER MW2S MICH - CONTROL CKTS MACD STTP P03S					H-11167335AD			
B B B B	DELETF	AR-15-00-0	140F MP1F AND MP2F (PARITY BIT AND CLOCK CNTR.)					H-11167376AB			
B B B B	ADD	AR-15-00-0	140F MP1F AND MP2F (PARITY BIT AND CLOCK CNTR.)					H-11167376AC			
C C C C	DELETF	AR-60-00-0	LOCAL VOLTAGE REGULATOR CONTROL CIRCUITS					H-11167921AB			
C C C C	ADD	AR-60-00-0	LOCAL VOLTAGE REGULATOR CONTROL CIRCUITS					H-11167921AC			
C C C C	DELETF	AR-60-02-0	30V REGULATORS AND -15V REGULATOR					H-11167947AD			
C C C C	ADD	AR-60-02-0	30V REGULATORS AND -15V REGULATOR					H-11167947AE			
D D D D	DELETF	AR-70-00-0	MAINTENANCE TEST SW'S AND BIT RESET-CLEAR PR SW'S					H-11167988AD			
D D D D	ADD	AR-70-00-0	MAINTENANCE TEST SW'S AND BIT RESET-CLEAR PR SW'S					H-11167988AE			
D D D D	DELETF	AR-70-01-0	MP TOGGLE SW'S TC1L COXL COYL COML SFAL SOFL					H-11167996AB			
D D D D	ADD	AR-70-01-0	MP TOGGLE SW'S TC1L COXL COYL COML SFAL SOFL					H-11167996AC			
D D D D	DELETF	AR-70-02-0	PATTERN CONTROL TOGGLE SW'S TCWL TCRL THRU TC2L					H-11168002AB			
D D D D	ADD	AR-70-02-0	PATTERN CONTROL TOGGLE SW'S TCWL TCRL THRU TC2L					H-11168002AC			
D D D D	DELETF	AR-70-03-0	MAINTENANCE PANEL POWER CONTROL RELAYS K1 THRU K6					H-11168010AD			
D D D D	ADD	AR-70-03-0	MAINTENANCE PANEL POWER CONTROL RELAYS K1 THRU K6					H-11168010AE			
E E E E	DELETF	AR-70-04-0	MAINTENANCE PANEL -30I W AND R REG CKT AND TPS					H-11168028AD			
E E E E	ADD	AR-70-04-0	MAINTENANCE PANEL -30I W AND R REG CKT AND TPS					H-11168028AE			
E E E E	DELETF	AR-75-00-0	INDICATOR SWITCHES MRF MP1F MP2F M5TF M6CF M7RF					H-11168036AB			
E E E E	ADD	AR-75-00-0	INDICATOR SWITCHES MRF MP1F MP2F M5TF M6CF M7RF					H-11168036AC			
F F F F	DELETF	AR-90-05-0	X-Y READ-WRITE CURRENT CONNECTORS YR0D THRU YW7D					H-11168143AB			
F F F F	ADD	AR-90-05-0	X-Y READ-WRITE CURRENT CONNECTORS YR0D THRU YW7D					H-11168143AC			
F F F F	DELETF	AR-90-06-0	X-Y ADDRESS SWITCH CONNECTORS (X00S THRU X70G)					H-11168150AA			
F F F F	ADD	AR-90-06-0	X-Y ADDRESS SWITCH CONNECTORS (X00S THRU X70G)					H-11168150AB			
F F F F	DELETF	AR-93-00-0	INTER PANEL CONNECTOR CABLE NO 7A					H-11168242AD			
F F F F	ADD	AR-93-00-0	INTER PANEL CONNECTOR CABLE NO 7A					H-11168242AE			
F F F F	DELETF	AR-93-04-0	INTER PANEL CONNECTOR CABLE NO 82					H-11168283AE			
F F F F	ADD	AR-93-04-0	INTER PANEL CONNECTOR CABLE NO 82					H-11168283AF			
F F F F	DELETF	AR-93-05-0	INTER PANEL CONNECTOR CABLE NO 83					H-11168291AB			
F F F F	ADD	AR-93-05-0	INTER PANEL CONNECTOR CABLE NO 83					H-11168291AC			
F F F F	DELETF	AR-94-04-0	MEMORY-0 RX (2-0A) AND UV-0C-0H SENSING					H-11168341AD			
F F F F	ADD	AR-94-04-0	MEMORY-0 RX (2-0A) AND UV-0C-0H SENSING					H-11168341AE			
F F F F	DELETF	AR-95-02-0	MAINTENANCE SWITCH TERMINATORS-LOADS AND BIAS					H-11168382AD			
F F F F	ADD	AR-95-02-0	MAINTENANCE SWITCH TERMINATORS-LOADS AND BIAS					H-11168382AE			

100 1007-1 REV 3-68

LOGIC SCHEMATIC

INPUT 0 1 2 3 4 5 6 7 8 9 OUTPUT

PAGE NO.	TITLE OF DRAWING	DRAWING NO.
6A•00•00•0	CLOCKS AND OSCILLATOR-ACDF 'A' REG COUNT DELAY	M-11167319AE
6A•10•00•0	MULTIPLE MR2M MIHM MW2M MRWP MS1M	M-11167327AF
6A•10•01•0	MULTIPLE MW2S MICM - CONTROL CKTS MACD STTP P03S	M-11167335AD
6A•10•02•0	CONTROL CIRCUITS M1SD M1SD PC2D RAOD•S A•1D	M-11167343AC
6A•10•03•0	CONTROL CKTS SPUS CTUS TRMS' MANS' MCFS CAG00S	M-11167350AB
6A•10•04•0	'1' REG• CONTROL DR'S MICD W1SD AND RSPD	M-11167368AC
6A•15•00•0	I49F MP1F AND MP2F (PARITY BIT AND CLOCK CNTR•)	M-11167376AC
6A•15•01•0	START WORST CASE AND WRITE FF'S MSTF MWCF MWRF	M-11167384AB
6A•20•00•0	PARITY GENERATOR EAAS THRU EBAS	M-11167392AA
6A•20•01•0	PARITY GENERATOR FCAS THRU EDAS	M-11167400AA
6A•20•02•0	PARITY GENERATOR EEAS THRU EFAS	M-11167418AA
6A•20•03•0	PARITY GENERATOR FGAS THRU FHAS	M-11167426AA
6A•20•04•0	PARITY GENERATOR FIAS THRU EJAS	M-11167434AA
6A•20•05•0	PARITY GENERATOR FKAS THRU FLAS	M-11167442AA
6A•20•06•0	PARITY GENERATOR EARS THRU EBBS	M-11167459AA
6A•20•07•0	PARITY GENERATOR FCRS THRU PERL	M-11167467AA
6A•20•08•0	PARITY ERROR FF MERR	M-11167475AC
6A•25•00•0	LOCAL START AND COUNT UP 'A' REG• CIRCUITS	M-11167483AB
6A•25•01•0	ADDRESS COUNTER CONTROL COYD CAG001 THRU CAG004	M-11167491AC
6A•25•02•0	TEST PATTERN CONTROL LOGIC SW'S PC1S PC2S PC3S	M-11167509AC
6A•25•03•0	MAINTENANCE CONTROL BIT'S DR'S AND CAG006	M-11167517AB
6A•25•04•0	MAINTENANCE CONTROL SW'S MC1S' THRU MCBS'	M-11167525AA
6A•25•05•0	TEST PATTERN BIT SENSING SW'S S1BS THRU S4BS'	M-11167533AC
6A•25•06•0	TEST PATTERN BIT SENSING SW'S S8BS THRU S8BS'	M-11167541AB
6A•30•00•0	ADDRESS REGISTER A01F THRU A03F	M-11167558AB
6A•30•01•0	ADDRESS REGISTER A04F THRU A06F	M-11167566AB
6A•30•02•0	ADDRESS REGISTER A07F THRU A09F	M-11167574AB
6A•30•03•0	ADDRESS REGISTER A10F THRU A12F	M-11167582AB
6A•30•04•0	A REGISTER COUNT CONTROL LOGICS (AX1S THRU AX3S)	M-11167590AA
6A•30•05•0	A REGISTER COUNT CONTROL LOGICS (AX4S THRU AX6S)	M-11167608AA
6A•30•06•0	A REGISTER COUNT CONTROL LOGICS (AY1S THRU AY3S)	M-11167616AA
6A•30•07•0	A REGISTER COUNT CONTROL LOGICS (AY4S THRU AY6S)	M-11167624AA
6A•30•08•0	X-Y ADDRESS SWITCHES (XCOS THRU YTCG)	M-11167632AA
6A•30•09•0	X READ-WRITE CURRENT DRIVER (XROD THRU XW7D)	M-11167640AA
6A•30•10•0	Y READ-WRITE CURRENT DRIVERS (YROD THRU YW7D)	M-11167657AA
6A•40•00•0	INFORMATION REGISTER I01FF THRU I03FF	M-11167665AR
6A•40•01•0	INFORMATION REGISTER I04FF THRU I06FF	M-11167673AB
6A•40•02•0	INFORMATION REGISTER I07FF THRU I09FF	M-11167681AB
6A•40•03•0	INFORMATION REGISTER I10FF THRU I12FF	M-11167699AB
6A•40•04•0	INFORMATION REGISTER I13FF THRU I15FF	M-11167707AB
6A•40•05•0	INFORMATION REGISTER I16FF THRU I19FF	M-11167715AB
6A•40•06•0	INFORMATION REGISTER I19FF THRU I21FF	M-11167723AB
6A•40•07•0	INFORMATION REGISTER I22FF THRU I24FF	M-11167731AB
6A•40•08•0	INFORMATION REGISTER I25FF THRU I27FF	M-11167749AB
6A•40•09•0	INFORMATION REGISTER I28FF THRU I30FF	M-11167756AB
6A•40•10•0	INFORMATION REGISTER I31FF THRU I33FF	M-11167764AB
6A•40•11•0	INFORMATION REGISTER I34FF THRU I36FF	M-11167772AB
6A•40•12•0	INFORMATION REGISTER I37FF THRU I39FF	M-11167780AB
6A•40•13•0	INFORMATION REGISTER I40FF THRU I42FF	M-11167798AB
6A•40•14•0	INFORMATION REGISTER I43FF THRU I45FF	M-11167806AA
6A•40•15•0	INFORMATION REGISTER I46FF THRU I48FF	M-11167814AA
6A•50•00•0	SENSE AMPS S01P THRU S09P AND S11P	M-11167822AB
6A•50•01•0	SENSE AMPS S10P AND S12P THRU S20P	M-11167830AB
6A•50•02•0	SENSE AMPS S21P THRU S29P AND S31P	M-11167848AB
6A•50•03•0	SENSE AMPS S30P AND S32P THRU S40P	M-11167856AB
6A•50•04•0	SENSE AMPS S41P THRU S49P	M-11167863AB
6A•55•00•0	INHIBIT DRIVERS I01D THRU I09D AND I11D	M-11167871AC
6A•55•01•0	INHIBIT DRIVERS I10D AND I12D THRU I20D	M-11167889AC
6A•55•02•0	INHIBIT DRIVERS I21D THRU I29D AND I31D	M-11167897AC
6A•55•03•0	INHIBIT DRIVERS I30D AND I32D THRU I40D	M-11167905AC
6A•55•04•0	INHIBIT DRIVERS I41D THRU I49D	M-11167913AC
6A•60•00•0	LOCAL VOLTAGE REGULATOR CONTROL CIRCUITS	M-11167921AC
6A•60•01•0	LOCAL +30V REGULATOR CONTROL AND DCLOCKOUT -MNAL	M-11167939AB
6A•60•02•0	30V REGULATORS AND -15V REGULATOR	M-11167947AE
6A•60•03•0	VOLTAGE SENSING CIRCUITS	M-11167954AB
6A•60•04•0	OV AND UV INDICATOR LATCH CIRCUITS	M-11167962AB
6A•60•05•0	-30V -30R -30W +30V INDICATOR LATCH CIRCUITS	M-11167970AC
6A•70•00•0	MAINTENANCE TEST SW'S AND BIT RESET-CLEAR PR SW'S	M-11167988AE
6A•70•01•0	MP TOGGLE SW'S TC1L COXL COYL COML SFAL S0FL	M-11167996AC
6A•70•02•0	PATTERN CONTROL TOGGLE SW'S TCML TCRL THRU TC2L	M-11168002AC

U 2 TITLE	SCHEMATIC INDEX BY PAGE NUMBER			H- 11162692AG	ELECTRODATA M&E DIVISION	Burroughs Corporation PASADENA CALIFORNIA	U 2
U 4 DRAWN BY	CHECKED BY			UNIT NO. 11154119	<small>PROPERTY OF BURROUGHS CORPORATION. NOT TO BE REPRODUCED. NOT USED FOR MANUFACTURING PURPOSES EXCEPT ON BURROUGHS ORDER OR PRIOR WRITTEN CONSENT</small>		U 4
U 6 UNIT NAME	AISEC CORP MEMORY UNIT			PAGE NO. 02 CONT.			U 6
U 8 SYSTEM	R5000						U 8

LOGIC SCHEMATIC

	INPUT	0	1	2	3	4	5	6	7	8	9	OUTPUT
A	1											A
A	2											A
A	3											A
A	4	PAGE NO.			TITLE OF DRAWING							DRAWING NO.
A	5											A
A	6											A
A	7											A
A	8											A
A	9											A
A	10											A
A	11											A
A	12											A
A	13											A
A	14											A
A	15											A
A	16											A
A	17											A
A	18											A
A	19											A
A	20											A
A	21											A
A	22											A
A	23											A
A	24											A
A	25											A
A	26											A
A	27											A
A	28											A
A	29											A
A	30											A
A	31											A
A	32											A
A	33											A
A	34											A
A	35											A
A	36											A
A	37											A
A	38											A
A	39											A
A	40											A
A	41											A
A	42											A
A	43											A
A	44											A
A	45											A
A	46											A
A	47											A
A	48											A
A	49											A
A	50											A
A	51											A
A	52											A
A	53											A
A	54											A
A	55											A
A	56											A
A	57											A
A	58											A
A	59											A
A	60											A
A	61											A
A	62											A
A	63											A
A	64											A
A	65											A
A	66											A
A	67											A
A	68											A
A	69											A
A	70											A
A	71											A
A	72											A
A	73											A
A	74											A
A	75											A
A	76											A
A	77											A
A	78											A
A	79											A
A	80											A
A	81											A
A	82											A
A	83											A
A	84											A
A	85											A
A	86											A
A	87											A
A	88											A
A	89											A
A	90											A
A	91											A
A	92											A
A	93											A
A	94											A
A	95											A
A	96											A
A	97											A
A	98											A
A	99											A
A	100											A

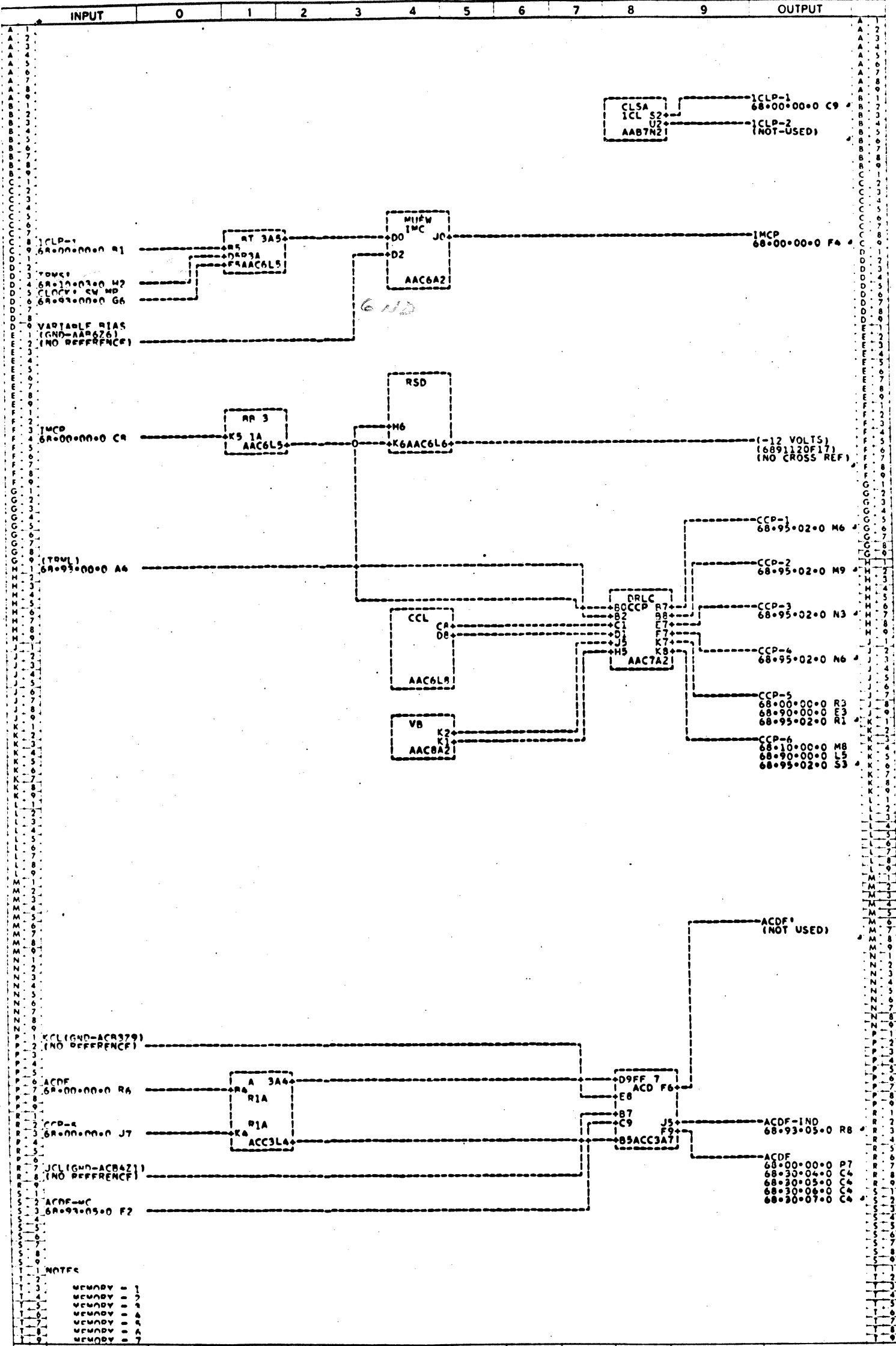
LOGIC SCHEMATIC

INPUT	0	1	2	3	4	5	6	7	8	9	OUTPUT																																																																																																																																																																																																																		
TITLE OF DRAWING																																																																																																																																																																																																																													
DRAWING NO.																																																																																																																																																																																																																													
PAGE NO.																																																																																																																																																																																																																													
A 1 A 2 A 3 A 4 A 5 A 6 A 7 A 8 A 9 B 1 B 2 B 3 B 4 B 5 B 6 B 7 B 8 B 9 C 1 C 2 C 3 C 4 C 5 C 6 C 7 C 8 C 9 D 1 D 2 D 3 D 4 D 5 D 6 D 7 D 8 E 1 E 2 E 3 E 4 E 5 E 6 E 7 E 8 E 9 F 1 F 2 F 3 F 4 F 5 F 6 F 7 F 8 F 9 G 1 G 2 G 3 G 4 G 5 G 6 G 7 G 8 G 9 H 1 H 2 H 3 H 4 H 5 H 6 H 7 H 8 H 9 J 1 J 2 J 3 J 4 J 5 J 6 J 7 J 8 J 9 K 1 K 2 K 3 K 4 K 5 K 6 K 7 K 8 K 9 L 1 L 2 L 3 L 4 L 5 L 6 L 7 L 8 L 9 M 1 M 2 M 3 M 4 M 5 M 6 M 7 M 8 M 9 N 1 N 2 N 3 N 4 N 5 N 6 N 7 N 8 N 9 P 1 P 2 P 3 P 4 P 5 P 6 P 7 P 8 P 9 R 1 R 2 R 3 R 4 R 5 R 6 R 7 R 8 R 9 S 1 S 2 S 3 S 4 S 5 S 6 S 7 S 8 S 9 T 1 T 2 T 3 T 4 T 5 T 6 T 7 T 8 T 9	<table border="0" style="width: 100%; border-collapse: collapse;"> <tr> <td style="width: 50%;">-30I -30R -30W +30V INDICATOR LATCH CIRCUITS</td> <td style="width: 20%;">M-11167970AC</td> <td style="width: 30%;">68*60*05*0</td> </tr> <tr> <td>'1' REG. CONTROL DR'S MICH WISD AND RSPD</td> <td>M-11167368AC</td> <td>69*10*04*0</td> </tr> <tr> <td>(+20V) VOLTAGE DISTRIBUTION</td> <td>M-11168192AB</td> <td>68*91*20*0</td> </tr> <tr> <td>(-1*2V) VOLTAGE DISTRIBUTION</td> <td>M-11168168AC</td> <td>68*91*01*2</td> </tr> <tr> <td>(-12V) VOLTAGE DISTRIBUTION</td> <td>M-11168184AD</td> <td>68*91*12*0</td> </tr> <tr> <td>(-30I) VOLTAGE DISTRIBUTION</td> <td>M-11168200AB</td> <td>68*91*30*0</td> </tr> <tr> <td>(-4*5V) VOLTAGE DISTRIBUTION</td> <td>M-11168176AC</td> <td>68*91*04*5</td> </tr> <tr> <td>A REGISTER COUNT CONTROL LOGICS (AXIS THRU AX3S)</td> <td>M-11167590AA</td> <td>69*30*04*0</td> </tr> <tr> <td>A REGISTER COUNT CONTROL LOGICS (AX4S THRU AX6S)</td> <td>M-11167608AA</td> <td>68*30*05*0</td> </tr> <tr> <td>A REGISTER COUNT CONTROL LOGICS (AY1S THRU AY3S)</td> <td>M-11167616AA</td> <td>68*30*06*0</td> </tr> <tr> <td>A REGISTER COUNT CONTROL LOGICS (AY4S THRU AY6S)</td> <td>M-11167624AA</td> <td>68*30*07*0</td> </tr> <tr> <td>ADDRESS COUNTER CONTROL COYD CAG001 THRU CAG004</td> <td>M-11167491AC</td> <td>68*25*01*0</td> </tr> <tr> <td>ADDRESS REGISTER A04F THRU A06F</td> <td>M-11167566AB</td> <td>68*30*01*0</td> </tr> <tr> <td>ADDRESS REGISTER A10F THRU A12F</td> <td>M-11167582AB</td> <td>68*30*03*0</td> </tr> <tr> <td>ADDRESS REGISTER A01F THRU A03F</td> <td>M-11167558AB</td> <td>68*30*00*0</td> </tr> <tr> <td>ADDRESS REGISTER A07F THRU A09F</td> <td>M-11167574AB</td> <td>68*30*02*0</td> </tr> <tr> <td>CLOCKS AND OSCILLATOR-ACDF 'A' REG COUNT DELAY</td> <td>M-11167319AE</td> <td>69*00*00*0</td> </tr> <tr> <td>CONTROL CIRCUITS MISC MSTD PC2D RAOD*S A+1D</td> <td>M-11167343AC</td> <td>68*10*02*0</td> </tr> <tr> <td>CONTROL CKTS SPUS CTM TRMS' MANS' MCF5 CAG005</td> <td>M-11167350AB</td> <td>68*10*03*0</td> </tr> <tr> <td>FILTER STICKS (+20V -12V) ADD-INH DR - ADD SW</td> <td>M-11168432AA</td> <td>68*97*04*0</td> </tr> <tr> <td>FILTER STICKS (+20V) (-12V) ADD-INH DR - ADD SW</td> <td>M-11168440AD</td> <td>68*97*05*0</td> </tr> <tr> <td>FILTER STICKS A RACK A-B PANEL (AABL-AABY)</td> <td>M-11168408AA</td> <td>68*97*01*0</td> </tr> <tr> <td>FILTER STICKS A RACK A-B PANEL (AABL-AADY) (+30V)</td> <td>M-11168424AC</td> <td>68*97*03*0</td> </tr> <tr> <td>FILTER STICKS A RACK A-B PANEL (AAAL-AAAY)</td> <td>M-11168390AB</td> <td>68*97*00*0</td> </tr> <tr> <td>FILTER STICKS A RACK A-B PANEL (AACL-AACY)</td> <td>M-11168416AA</td> <td>68*97*02*0</td> </tr> <tr> <td>FILTER STICKS A RACK D PNL (FF'S-SW DR AND MISC)</td> <td>M-11168457AC</td> <td>68*97*06*0</td> </tr> <tr> <td>INDICATOR SWITCHES 101F THRU 113F</td> <td>M-11168051AC</td> <td>68*75*02*0</td> </tr> <tr> <td>INDICATOR SWITCHES 114F THRU 126F</td> <td>M-11168069AC</td> <td>68*75*03*0</td> </tr> <tr> <td>INDICATOR SWITCHES 127F THRU 139F</td> <td>M-11168077AB</td> <td>68*75*04*0</td> </tr> <tr> <td>INDICATOR SWITCHES 140F THRU 149F</td> <td>M-11168085AB</td> <td>68*75*05*0</td> </tr> <tr> <td>INDICATOR SWITCHES A01F THRU A12F</td> <td>M-11168044AC</td> <td>68*75*01*0</td> </tr> <tr> <td>INDICATOR SWITCHES MP1F MP2F M3F MWCF MWF</td> <td>M-11168036AC</td> <td>68*75*00*0</td> </tr> <tr> <td>INFORMATION REGISTER 101FF THRU 109FF</td> <td>M-11167665AB</td> <td>68*40*00*0</td> </tr> <tr> <td>INFORMATION REGISTER 106FF THRU 106FF</td> <td>M-11167673AB</td> <td>68*40*01*0</td> </tr> <tr> <td>INFORMATION REGISTER 107FF THRU 107FF</td> <td>M-11167681AB</td> <td>68*40*02*0</td> </tr> <tr> <td>INFORMATION REGISTER 110FF THRU 112FF</td> <td>M-11167699AB</td> <td>68*40*03*0</td> </tr> <tr> <td>INFORMATION REGISTER 113FF THRU 115FF</td> <td>M-11167707AB</td> <td>68*40*04*0</td> </tr> <tr> <td>INFORMATION REGISTER 116FF THRU 119FF</td> <td>M-11167715AB</td> <td>68*40*05*0</td> </tr> <tr> <td>INFORMATION REGISTER 119FF THRU 121FF</td> <td>M-11167723AB</td> <td>68*40*06*0</td> </tr> <tr> <td>INFORMATION REGISTER 122FF THRU 124FF</td> <td>M-11167731AB</td> <td>68*40*07*0</td> </tr> <tr> <td>INFORMATION REGISTER 125FF THRU 127FF</td> <td>M-11167749AB</td> <td>68*40*08*0</td> </tr> <tr> <td>INFORMATION REGISTER 128FF THRU 130FF</td> <td>M-11167756AB</td> <td>68*40*09*0</td> </tr> <tr> <td>INFORMATION REGISTER 131FF THRU 133FF</td> <td>M-11167764AB</td> <td>68*40*10*0</td> </tr> <tr> <td>INFORMATION REGISTER 136FF THRU 136FF</td> <td>M-11167772AB</td> <td>68*40*11*0</td> </tr> <tr> <td>INFORMATION REGISTER 137FF THRU 139FF</td> <td>M-11167780AB</td> <td>68*40*12*0</td> </tr> <tr> <td>INFORMATION REGISTER 140FF THRU 142FF</td> <td>M-11167788AB</td> <td>68*40*13*0</td> </tr> <tr> <td>INFORMATION REGISTER 143FF THRU 145FF</td> <td>M-11167796AA</td> <td>68*40*14*0</td> </tr> <tr> <td>INFORMATION REGISTER 146FF THRU 148FF</td> <td>M-11167814AA</td> <td>68*40*15*0</td> </tr> <tr> <td>INHIBIT DRIVER CONNECTORS 132D-1 THRU 149D-2</td> <td>M-11168135AA</td> <td>68*90*04*0</td> </tr> <tr> <td>INHIBIT DRIVERS 101D THRU 109D AND 111D</td> <td>M-11167871AC</td> <td>68*55*00*0</td> </tr> <tr> <td>INHIBIT DRIVERS 110D AND 112D THRU 120D</td> <td>M-11167889AC</td> <td>68*55*01*0</td> </tr> <tr> <td>INHIBIT DRIVERS 121D THRU 129D AND 131D</td> <td>M-11167897AC</td> <td>68*55*02*0</td> </tr> <tr> <td>INHIBIT DRIVERS 130D AND 132D THRU 140D</td> <td>M-11167905AC</td> <td>68*55*03*0</td> </tr> <tr> <td>INHIBIT DRIVERS 141D THRU 149D</td> <td>M-11167913AC</td> <td>68*55*04*0</td> </tr> <tr> <td>INHIBIT DRIVER CONNECTORS 101D-1 THRU 127D-2</td> <td>M-11168127AA</td> <td>68*90*03*0</td> </tr> <tr> <td>INTER FRAME CONNECTOR CABLE NO 414 PAGE 2 OF 2</td> <td>M-11168234AA</td> <td>68*92*01*1</td> </tr> <tr> <td>INTER FRAME CONNECTOR CABLE NO 414 PAGE 1 OF 2</td> <td>M-11168226AB</td> <td>68*92*01*0</td> </tr> <tr> <td>INTER FRAME CONNECTOR CABLE NO 406</td> <td>M-11168219AB</td> <td>68*92*00*0</td> </tr> <tr> <td>INTER PANEL CONNECTOR CABLE NO 80</td> <td>M-11168267AA</td> <td>68*93*02*0</td> </tr> <tr> <td>INTER PANEL CONNECTOR CABLE NO 81</td> <td>M-11168275AA</td> <td>68*93*03*0</td> </tr> <tr> <td>INTER PANEL CONNECTOR CABLE NO 82</td> <td>M-11168283AF</td> <td>68*93*04*0</td> </tr> <tr> <td>INTER PANEL CONNECTOR CABLE NO 79</td> <td>M-11168259AB</td> <td>68*93*01*0</td> </tr> <tr> <td>INTER PANEL CONNECTOR CABLE NO 78</td> <td>M-11168242AE</td> <td>68*93*00*0</td> </tr> <tr> <td>INTER PANEL CONNECTOR CABLE NO 83</td> <td>M-11168291AC</td> <td>68*93*05*0</td> </tr> <tr> <td>INTER-FRAME JUMPERS</td> <td>M-11168093AD</td> <td>68*90*00*0</td> </tr> <tr> <td>149F MP1F AND MP2F (PARITY BIT AND CLOCK CNTR=)</td> <td>M-11167376AC</td> <td>68*15*00*0</td> </tr> <tr> <td>LOCAL +20V REGULATOR CONTROL AND DLOCKOUT -MNL</td> <td>M-11167939AB</td> <td>68*60*01*0</td> </tr> <tr> <td>LOCAL START AND COUNT UP 'A' REG. CIRCUITS</td> <td>M-11167493AB</td> <td>68*25*00*0</td> </tr> <tr> <td>LOCAL VOLTAGE REGULATOR CONTROL CIRCUITS</td> <td>M-11167921AC</td> <td>68*60*00*0</td> </tr> <tr> <td>MAINTENANCE CONTROL BIT'S DR'S AND CAG006</td> <td>M-11167517AB</td> <td>68*25*03*0</td> </tr> </table>											-30I -30R -30W +30V INDICATOR LATCH CIRCUITS	M-11167970AC	68*60*05*0	'1' REG. CONTROL DR'S MICH WISD AND RSPD	M-11167368AC	69*10*04*0	(+20V) VOLTAGE DISTRIBUTION	M-11168192AB	68*91*20*0	(-1*2V) VOLTAGE DISTRIBUTION	M-11168168AC	68*91*01*2	(-12V) VOLTAGE DISTRIBUTION	M-11168184AD	68*91*12*0	(-30I) VOLTAGE DISTRIBUTION	M-11168200AB	68*91*30*0	(-4*5V) VOLTAGE DISTRIBUTION	M-11168176AC	68*91*04*5	A REGISTER COUNT CONTROL LOGICS (AXIS THRU AX3S)	M-11167590AA	69*30*04*0	A REGISTER COUNT CONTROL LOGICS (AX4S THRU AX6S)	M-11167608AA	68*30*05*0	A REGISTER COUNT CONTROL LOGICS (AY1S THRU AY3S)	M-11167616AA	68*30*06*0	A REGISTER COUNT CONTROL LOGICS (AY4S THRU AY6S)	M-11167624AA	68*30*07*0	ADDRESS COUNTER CONTROL COYD CAG001 THRU CAG004	M-11167491AC	68*25*01*0	ADDRESS REGISTER A04F THRU A06F	M-11167566AB	68*30*01*0	ADDRESS REGISTER A10F THRU A12F	M-11167582AB	68*30*03*0	ADDRESS REGISTER A01F THRU A03F	M-11167558AB	68*30*00*0	ADDRESS REGISTER A07F THRU A09F	M-11167574AB	68*30*02*0	CLOCKS AND OSCILLATOR-ACDF 'A' REG COUNT DELAY	M-11167319AE	69*00*00*0	CONTROL CIRCUITS MISC MSTD PC2D RAOD*S A+1D	M-11167343AC	68*10*02*0	CONTROL CKTS SPUS CTM TRMS' MANS' MCF5 CAG005	M-11167350AB	68*10*03*0	FILTER STICKS (+20V -12V) ADD-INH DR - ADD SW	M-11168432AA	68*97*04*0	FILTER STICKS (+20V) (-12V) ADD-INH DR - ADD SW	M-11168440AD	68*97*05*0	FILTER STICKS A RACK A-B PANEL (AABL-AABY)	M-11168408AA	68*97*01*0	FILTER STICKS A RACK A-B PANEL (AABL-AADY) (+30V)	M-11168424AC	68*97*03*0	FILTER STICKS A RACK A-B PANEL (AAAL-AAAY)	M-11168390AB	68*97*00*0	FILTER STICKS A RACK A-B PANEL (AACL-AACY)	M-11168416AA	68*97*02*0	FILTER STICKS A RACK D PNL (FF'S-SW DR AND MISC)	M-11168457AC	68*97*06*0	INDICATOR SWITCHES 101F THRU 113F	M-11168051AC	68*75*02*0	INDICATOR SWITCHES 114F THRU 126F	M-11168069AC	68*75*03*0	INDICATOR SWITCHES 127F THRU 139F	M-11168077AB	68*75*04*0	INDICATOR SWITCHES 140F THRU 149F	M-11168085AB	68*75*05*0	INDICATOR SWITCHES A01F THRU A12F	M-11168044AC	68*75*01*0	INDICATOR SWITCHES MP1F MP2F M3F MWCF MWF	M-11168036AC	68*75*00*0	INFORMATION REGISTER 101FF THRU 109FF	M-11167665AB	68*40*00*0	INFORMATION REGISTER 106FF THRU 106FF	M-11167673AB	68*40*01*0	INFORMATION REGISTER 107FF THRU 107FF	M-11167681AB	68*40*02*0	INFORMATION REGISTER 110FF THRU 112FF	M-11167699AB	68*40*03*0	INFORMATION REGISTER 113FF THRU 115FF	M-11167707AB	68*40*04*0	INFORMATION REGISTER 116FF THRU 119FF	M-11167715AB	68*40*05*0	INFORMATION REGISTER 119FF THRU 121FF	M-11167723AB	68*40*06*0	INFORMATION REGISTER 122FF THRU 124FF	M-11167731AB	68*40*07*0	INFORMATION REGISTER 125FF THRU 127FF	M-11167749AB	68*40*08*0	INFORMATION REGISTER 128FF THRU 130FF	M-11167756AB	68*40*09*0	INFORMATION REGISTER 131FF THRU 133FF	M-11167764AB	68*40*10*0	INFORMATION REGISTER 136FF THRU 136FF	M-11167772AB	68*40*11*0	INFORMATION REGISTER 137FF THRU 139FF	M-11167780AB	68*40*12*0	INFORMATION REGISTER 140FF THRU 142FF	M-11167788AB	68*40*13*0	INFORMATION REGISTER 143FF THRU 145FF	M-11167796AA	68*40*14*0	INFORMATION REGISTER 146FF THRU 148FF	M-11167814AA	68*40*15*0	INHIBIT DRIVER CONNECTORS 132D-1 THRU 149D-2	M-11168135AA	68*90*04*0	INHIBIT DRIVERS 101D THRU 109D AND 111D	M-11167871AC	68*55*00*0	INHIBIT DRIVERS 110D AND 112D THRU 120D	M-11167889AC	68*55*01*0	INHIBIT DRIVERS 121D THRU 129D AND 131D	M-11167897AC	68*55*02*0	INHIBIT DRIVERS 130D AND 132D THRU 140D	M-11167905AC	68*55*03*0	INHIBIT DRIVERS 141D THRU 149D	M-11167913AC	68*55*04*0	INHIBIT DRIVER CONNECTORS 101D-1 THRU 127D-2	M-11168127AA	68*90*03*0	INTER FRAME CONNECTOR CABLE NO 414 PAGE 2 OF 2	M-11168234AA	68*92*01*1	INTER FRAME CONNECTOR CABLE NO 414 PAGE 1 OF 2	M-11168226AB	68*92*01*0	INTER FRAME CONNECTOR CABLE NO 406	M-11168219AB	68*92*00*0	INTER PANEL CONNECTOR CABLE NO 80	M-11168267AA	68*93*02*0	INTER PANEL CONNECTOR CABLE NO 81	M-11168275AA	68*93*03*0	INTER PANEL CONNECTOR CABLE NO 82	M-11168283AF	68*93*04*0	INTER PANEL CONNECTOR CABLE NO 79	M-11168259AB	68*93*01*0	INTER PANEL CONNECTOR CABLE NO 78	M-11168242AE	68*93*00*0	INTER PANEL CONNECTOR CABLE NO 83	M-11168291AC	68*93*05*0	INTER-FRAME JUMPERS	M-11168093AD	68*90*00*0	149F MP1F AND MP2F (PARITY BIT AND CLOCK CNTR=)	M-11167376AC	68*15*00*0	LOCAL +20V REGULATOR CONTROL AND DLOCKOUT -MNL	M-11167939AB	68*60*01*0	LOCAL START AND COUNT UP 'A' REG. CIRCUITS	M-11167493AB	68*25*00*0	LOCAL VOLTAGE REGULATOR CONTROL CIRCUITS	M-11167921AC	68*60*00*0	MAINTENANCE CONTROL BIT'S DR'S AND CAG006	M-11167517AB	68*25*03*0
-30I -30R -30W +30V INDICATOR LATCH CIRCUITS	M-11167970AC	68*60*05*0																																																																																																																																																																																																																											
'1' REG. CONTROL DR'S MICH WISD AND RSPD	M-11167368AC	69*10*04*0																																																																																																																																																																																																																											
(+20V) VOLTAGE DISTRIBUTION	M-11168192AB	68*91*20*0																																																																																																																																																																																																																											
(-1*2V) VOLTAGE DISTRIBUTION	M-11168168AC	68*91*01*2																																																																																																																																																																																																																											
(-12V) VOLTAGE DISTRIBUTION	M-11168184AD	68*91*12*0																																																																																																																																																																																																																											
(-30I) VOLTAGE DISTRIBUTION	M-11168200AB	68*91*30*0																																																																																																																																																																																																																											
(-4*5V) VOLTAGE DISTRIBUTION	M-11168176AC	68*91*04*5																																																																																																																																																																																																																											
A REGISTER COUNT CONTROL LOGICS (AXIS THRU AX3S)	M-11167590AA	69*30*04*0																																																																																																																																																																																																																											
A REGISTER COUNT CONTROL LOGICS (AX4S THRU AX6S)	M-11167608AA	68*30*05*0																																																																																																																																																																																																																											
A REGISTER COUNT CONTROL LOGICS (AY1S THRU AY3S)	M-11167616AA	68*30*06*0																																																																																																																																																																																																																											
A REGISTER COUNT CONTROL LOGICS (AY4S THRU AY6S)	M-11167624AA	68*30*07*0																																																																																																																																																																																																																											
ADDRESS COUNTER CONTROL COYD CAG001 THRU CAG004	M-11167491AC	68*25*01*0																																																																																																																																																																																																																											
ADDRESS REGISTER A04F THRU A06F	M-11167566AB	68*30*01*0																																																																																																																																																																																																																											
ADDRESS REGISTER A10F THRU A12F	M-11167582AB	68*30*03*0																																																																																																																																																																																																																											
ADDRESS REGISTER A01F THRU A03F	M-11167558AB	68*30*00*0																																																																																																																																																																																																																											
ADDRESS REGISTER A07F THRU A09F	M-11167574AB	68*30*02*0																																																																																																																																																																																																																											
CLOCKS AND OSCILLATOR-ACDF 'A' REG COUNT DELAY	M-11167319AE	69*00*00*0																																																																																																																																																																																																																											
CONTROL CIRCUITS MISC MSTD PC2D RAOD*S A+1D	M-11167343AC	68*10*02*0																																																																																																																																																																																																																											
CONTROL CKTS SPUS CTM TRMS' MANS' MCF5 CAG005	M-11167350AB	68*10*03*0																																																																																																																																																																																																																											
FILTER STICKS (+20V -12V) ADD-INH DR - ADD SW	M-11168432AA	68*97*04*0																																																																																																																																																																																																																											
FILTER STICKS (+20V) (-12V) ADD-INH DR - ADD SW	M-11168440AD	68*97*05*0																																																																																																																																																																																																																											
FILTER STICKS A RACK A-B PANEL (AABL-AABY)	M-11168408AA	68*97*01*0																																																																																																																																																																																																																											
FILTER STICKS A RACK A-B PANEL (AABL-AADY) (+30V)	M-11168424AC	68*97*03*0																																																																																																																																																																																																																											
FILTER STICKS A RACK A-B PANEL (AAAL-AAAY)	M-11168390AB	68*97*00*0																																																																																																																																																																																																																											
FILTER STICKS A RACK A-B PANEL (AACL-AACY)	M-11168416AA	68*97*02*0																																																																																																																																																																																																																											
FILTER STICKS A RACK D PNL (FF'S-SW DR AND MISC)	M-11168457AC	68*97*06*0																																																																																																																																																																																																																											
INDICATOR SWITCHES 101F THRU 113F	M-11168051AC	68*75*02*0																																																																																																																																																																																																																											
INDICATOR SWITCHES 114F THRU 126F	M-11168069AC	68*75*03*0																																																																																																																																																																																																																											
INDICATOR SWITCHES 127F THRU 139F	M-11168077AB	68*75*04*0																																																																																																																																																																																																																											
INDICATOR SWITCHES 140F THRU 149F	M-11168085AB	68*75*05*0																																																																																																																																																																																																																											
INDICATOR SWITCHES A01F THRU A12F	M-11168044AC	68*75*01*0																																																																																																																																																																																																																											
INDICATOR SWITCHES MP1F MP2F M3F MWCF MWF	M-11168036AC	68*75*00*0																																																																																																																																																																																																																											
INFORMATION REGISTER 101FF THRU 109FF	M-11167665AB	68*40*00*0																																																																																																																																																																																																																											
INFORMATION REGISTER 106FF THRU 106FF	M-11167673AB	68*40*01*0																																																																																																																																																																																																																											
INFORMATION REGISTER 107FF THRU 107FF	M-11167681AB	68*40*02*0																																																																																																																																																																																																																											
INFORMATION REGISTER 110FF THRU 112FF	M-11167699AB	68*40*03*0																																																																																																																																																																																																																											
INFORMATION REGISTER 113FF THRU 115FF	M-11167707AB	68*40*04*0																																																																																																																																																																																																																											
INFORMATION REGISTER 116FF THRU 119FF	M-11167715AB	68*40*05*0																																																																																																																																																																																																																											
INFORMATION REGISTER 119FF THRU 121FF	M-11167723AB	68*40*06*0																																																																																																																																																																																																																											
INFORMATION REGISTER 122FF THRU 124FF	M-11167731AB	68*40*07*0																																																																																																																																																																																																																											
INFORMATION REGISTER 125FF THRU 127FF	M-11167749AB	68*40*08*0																																																																																																																																																																																																																											
INFORMATION REGISTER 128FF THRU 130FF	M-11167756AB	68*40*09*0																																																																																																																																																																																																																											
INFORMATION REGISTER 131FF THRU 133FF	M-11167764AB	68*40*10*0																																																																																																																																																																																																																											
INFORMATION REGISTER 136FF THRU 136FF	M-11167772AB	68*40*11*0																																																																																																																																																																																																																											
INFORMATION REGISTER 137FF THRU 139FF	M-11167780AB	68*40*12*0																																																																																																																																																																																																																											
INFORMATION REGISTER 140FF THRU 142FF	M-11167788AB	68*40*13*0																																																																																																																																																																																																																											
INFORMATION REGISTER 143FF THRU 145FF	M-11167796AA	68*40*14*0																																																																																																																																																																																																																											
INFORMATION REGISTER 146FF THRU 148FF	M-11167814AA	68*40*15*0																																																																																																																																																																																																																											
INHIBIT DRIVER CONNECTORS 132D-1 THRU 149D-2	M-11168135AA	68*90*04*0																																																																																																																																																																																																																											
INHIBIT DRIVERS 101D THRU 109D AND 111D	M-11167871AC	68*55*00*0																																																																																																																																																																																																																											
INHIBIT DRIVERS 110D AND 112D THRU 120D	M-11167889AC	68*55*01*0																																																																																																																																																																																																																											
INHIBIT DRIVERS 121D THRU 129D AND 131D	M-11167897AC	68*55*02*0																																																																																																																																																																																																																											
INHIBIT DRIVERS 130D AND 132D THRU 140D	M-11167905AC	68*55*03*0																																																																																																																																																																																																																											
INHIBIT DRIVERS 141D THRU 149D	M-11167913AC	68*55*04*0																																																																																																																																																																																																																											
INHIBIT DRIVER CONNECTORS 101D-1 THRU 127D-2	M-11168127AA	68*90*03*0																																																																																																																																																																																																																											
INTER FRAME CONNECTOR CABLE NO 414 PAGE 2 OF 2	M-11168234AA	68*92*01*1																																																																																																																																																																																																																											
INTER FRAME CONNECTOR CABLE NO 414 PAGE 1 OF 2	M-11168226AB	68*92*01*0																																																																																																																																																																																																																											
INTER FRAME CONNECTOR CABLE NO 406	M-11168219AB	68*92*00*0																																																																																																																																																																																																																											
INTER PANEL CONNECTOR CABLE NO 80	M-11168267AA	68*93*02*0																																																																																																																																																																																																																											
INTER PANEL CONNECTOR CABLE NO 81	M-11168275AA	68*93*03*0																																																																																																																																																																																																																											
INTER PANEL CONNECTOR CABLE NO 82	M-11168283AF	68*93*04*0																																																																																																																																																																																																																											
INTER PANEL CONNECTOR CABLE NO 79	M-11168259AB	68*93*01*0																																																																																																																																																																																																																											
INTER PANEL CONNECTOR CABLE NO 78	M-11168242AE	68*93*00*0																																																																																																																																																																																																																											
INTER PANEL CONNECTOR CABLE NO 83	M-11168291AC	68*93*05*0																																																																																																																																																																																																																											
INTER-FRAME JUMPERS	M-11168093AD	68*90*00*0																																																																																																																																																																																																																											
149F MP1F AND MP2F (PARITY BIT AND CLOCK CNTR=)	M-11167376AC	68*15*00*0																																																																																																																																																																																																																											
LOCAL +20V REGULATOR CONTROL AND DLOCKOUT -MNL	M-11167939AB	68*60*01*0																																																																																																																																																																																																																											
LOCAL START AND COUNT UP 'A' REG. CIRCUITS	M-11167493AB	68*25*00*0																																																																																																																																																																																																																											
LOCAL VOLTAGE REGULATOR CONTROL CIRCUITS	M-11167921AC	68*60*00*0																																																																																																																																																																																																																											
MAINTENANCE CONTROL BIT'S DR'S AND CAG006	M-11167517AB	68*25*03*0																																																																																																																																																																																																																											

INPUT	0	1	2	3	4	5	6	7	8	9	OUTPUT
U 2 TITLE SCHEMATIC INDEX BY TITLE	M- 11162862AC										U 2
U 4 DRAWN BY	CHECKED BY										U 4
U 6 UNIT NAME & ISEC CORE MEMORY UNIT	UNIT NO. 11154119										U 6
U 8 SYSTEM 95000	PAGE NO. 04 CONT.										U 8

ELECTRODATA M&E DIVISION	Burroughs Corporation 	PASADENA CALIFORNIA
PROPERTY OF BURROUGHS CORPORATION NOT TO BE REPRODUCED, NOR USED FOR MANUFACTURING PURPOSES EXCEPT ON BURROUGHS ORDER OR PRIOR WRITTEN CONSENT		

LOGIC SCHEMATIC

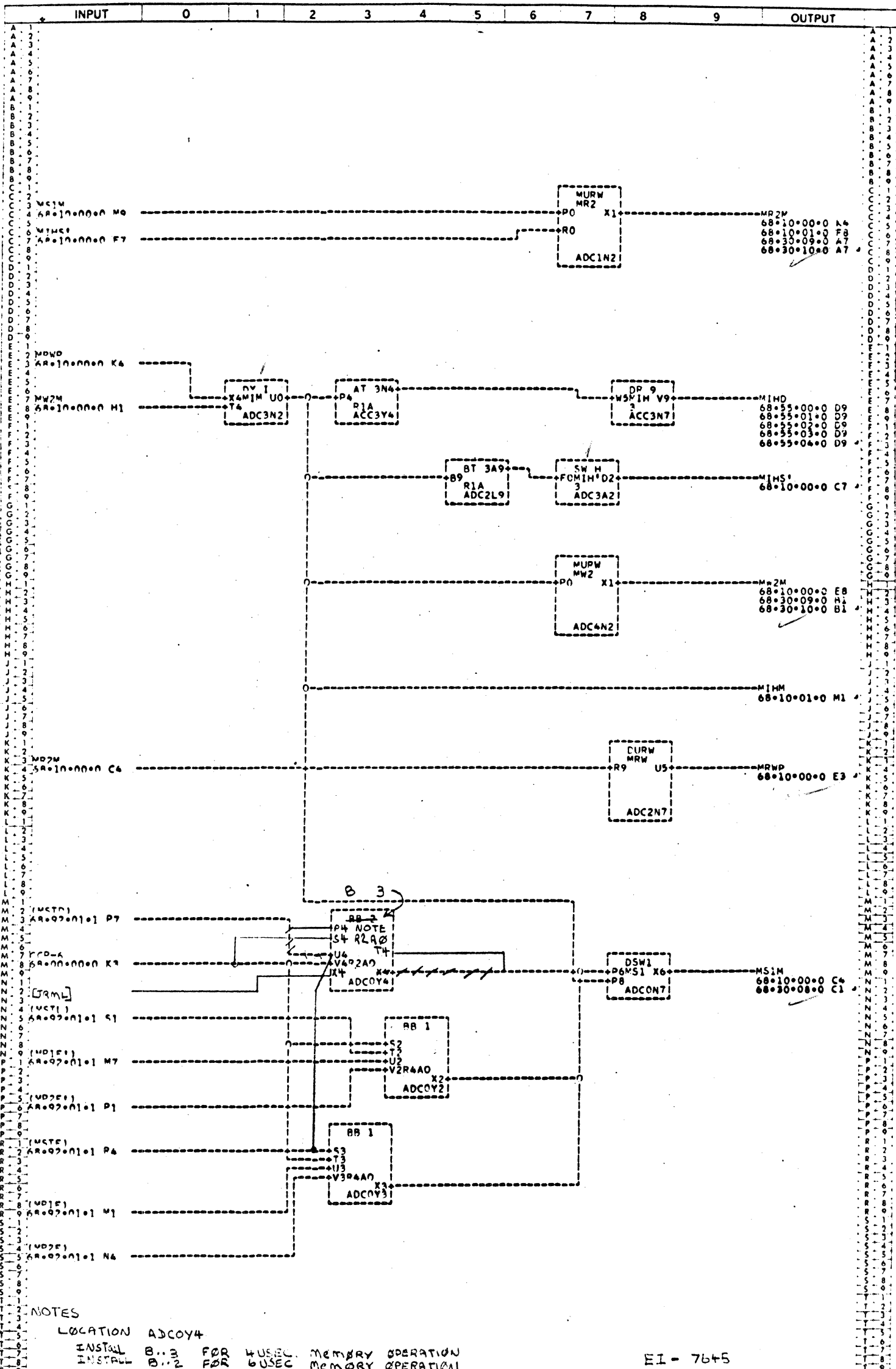


U 2	TITLE CLOCKS AND OSCILLATOR-ACDF 'A' REG COUNT DELAY	M- 11167319A8	
U 4	DRAWN BY J S GIANOULIS	CHECKED BY J E WOLLUM	
U 6	UNIT NAME & IMEC CORE MEMORY UNIT	UNIT NO. 11154119	
U 8	SYSTEM 85000	PAGE NO. 68-00-00-0	

ELECTRODATA **Burroughs Corporation** PASADENA CALIFORNIA
 M&E DIVISION

PROPERTY OF BURROUGHS CORPORATION NOT TO BE REPRODUCED NOR USED FOR MANUFACTURING PURPOSES EXCEPT ON BURROUGHS ORDER OF PRIOR WRITTEN CONSENT

LOGIC SCHEMATIC



INPUT	0	1	2	3	4	5	6	7	8	9	OUTPUT
U 2 TITLE MULTIPLE MW2M M1M0 MW2M MW2D MC1M											N. 11167327AF
U 4 DRAWN BY TFD 7											CHECKED BY J E WOLLUM
U 6 UNIT NAME & IEEE CODE MEMORY UNIT											UNIT NO. 11194110
U 8 SYSTEM 84000											PAGE NO. 6A.10.00.00

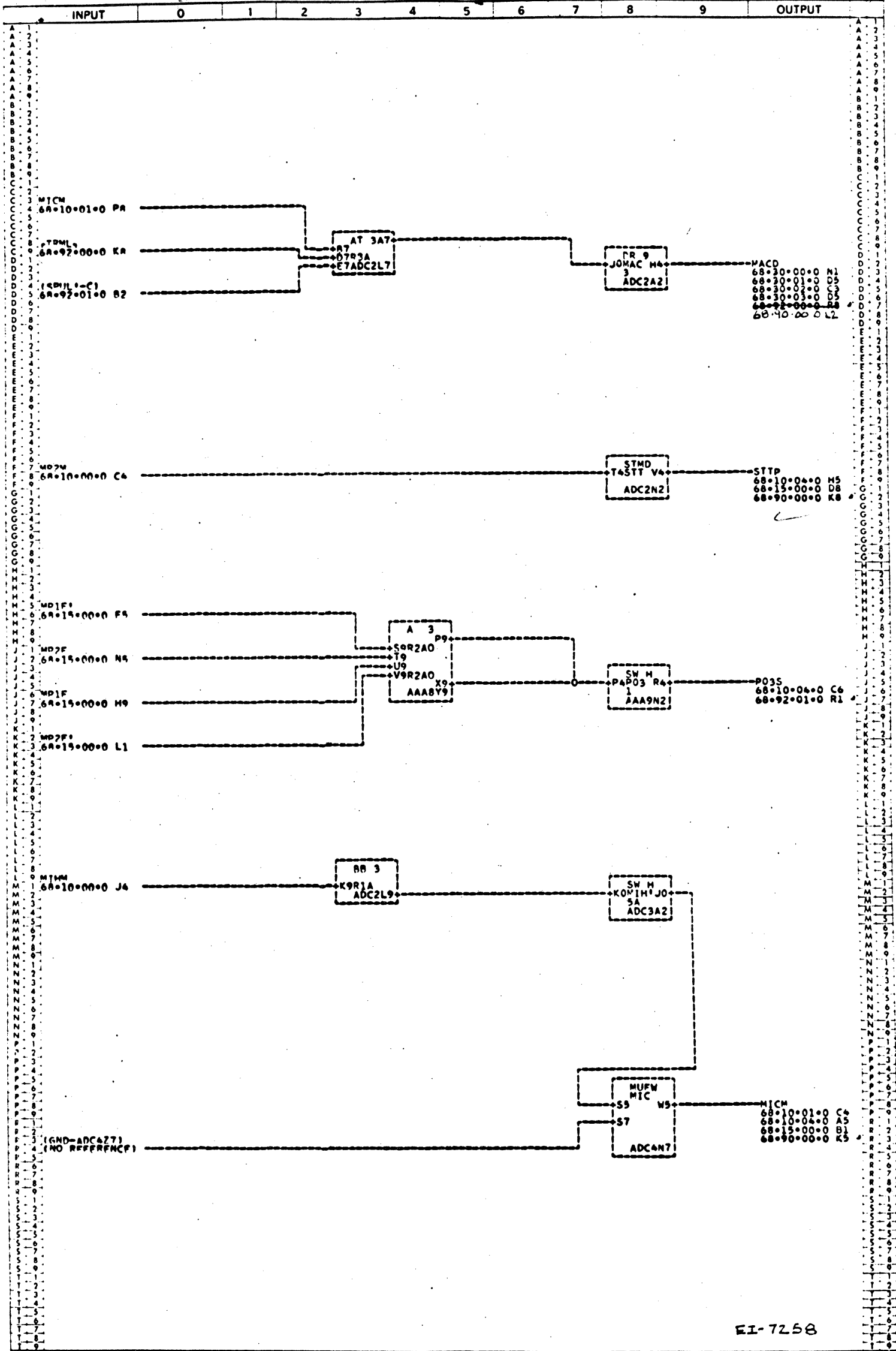
ELECTRODATA **Burroughs Corporation** PASADENA CALIFORNIA

M&E DIVISION

PROPERTY OF BURROUGHS CORPORATION NOT TO BE REPRODUCED, NOR USED FOR MANUFACTURING PURPOSES EXCEPT ON BURROUGHS ORDER OR PRIOR WRITTEN CONSENT

EI - 7645

LOGIC SCHEMATIC

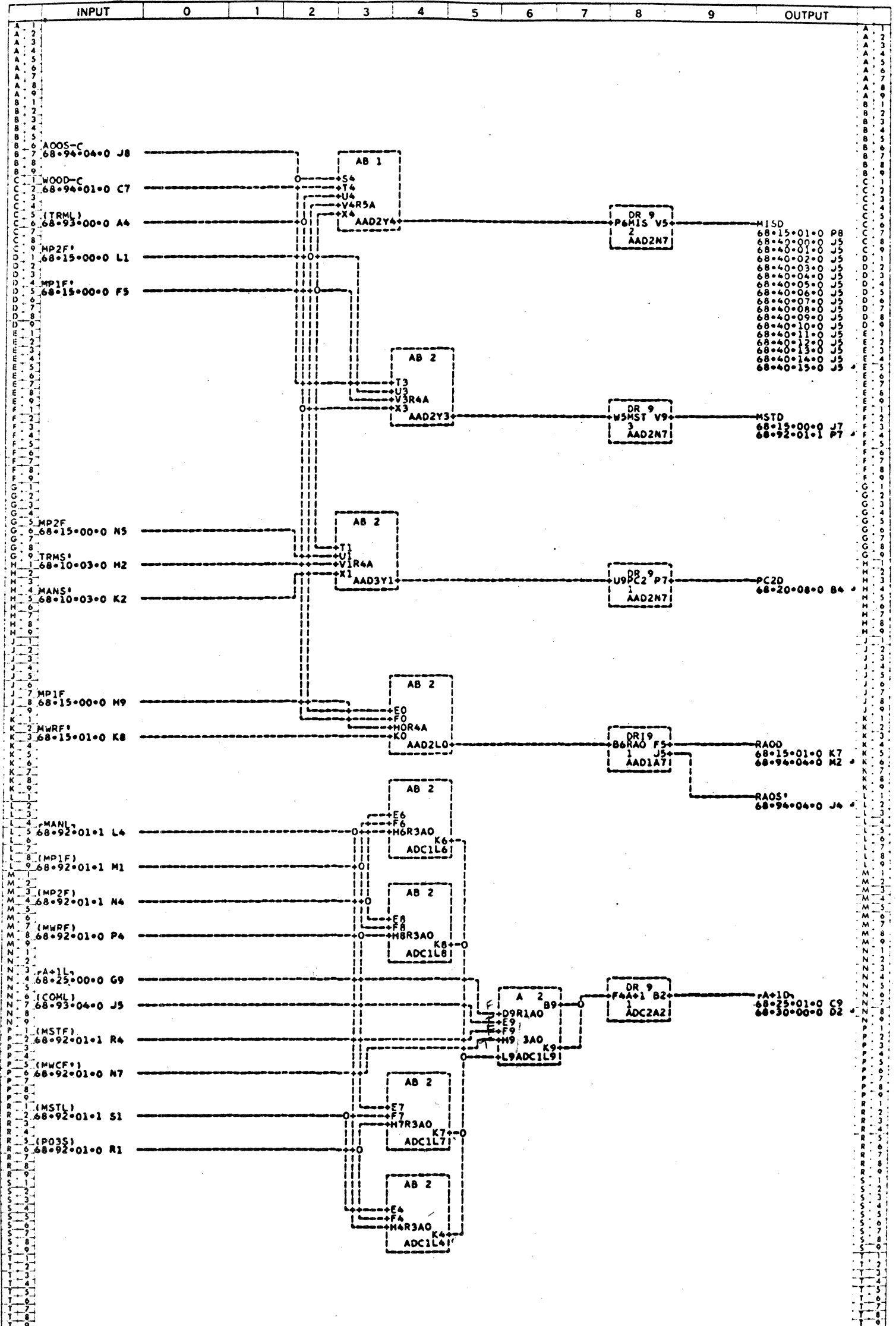


E1-7258

INPUT	0	1	2	3	4	5	6	7	8	9	OUTPUT
U 2 TITLE MULTIS MW2S MICM - CONTROL CKTS MAPD STTP P035 M- 11167335AD											
U 4 DRAWN BY TED Z											
U 6 UNIT NAME & IISPC CORE MEMORY UNIT											
U 8 SYSTEM P5000											

ELECTRODATA M&E DIVISION	Burrhoughs Corporation	PASADENA CALIFORNIA
PROPERTY OF BURROUGHS CORPORATION NOT TO BE REPRODUCED NOR USED FOR MANUFACTURING PURPOSES EXCEPT ON BURROUGHS ORDER OR PRIOR WRITTEN CONSENT		

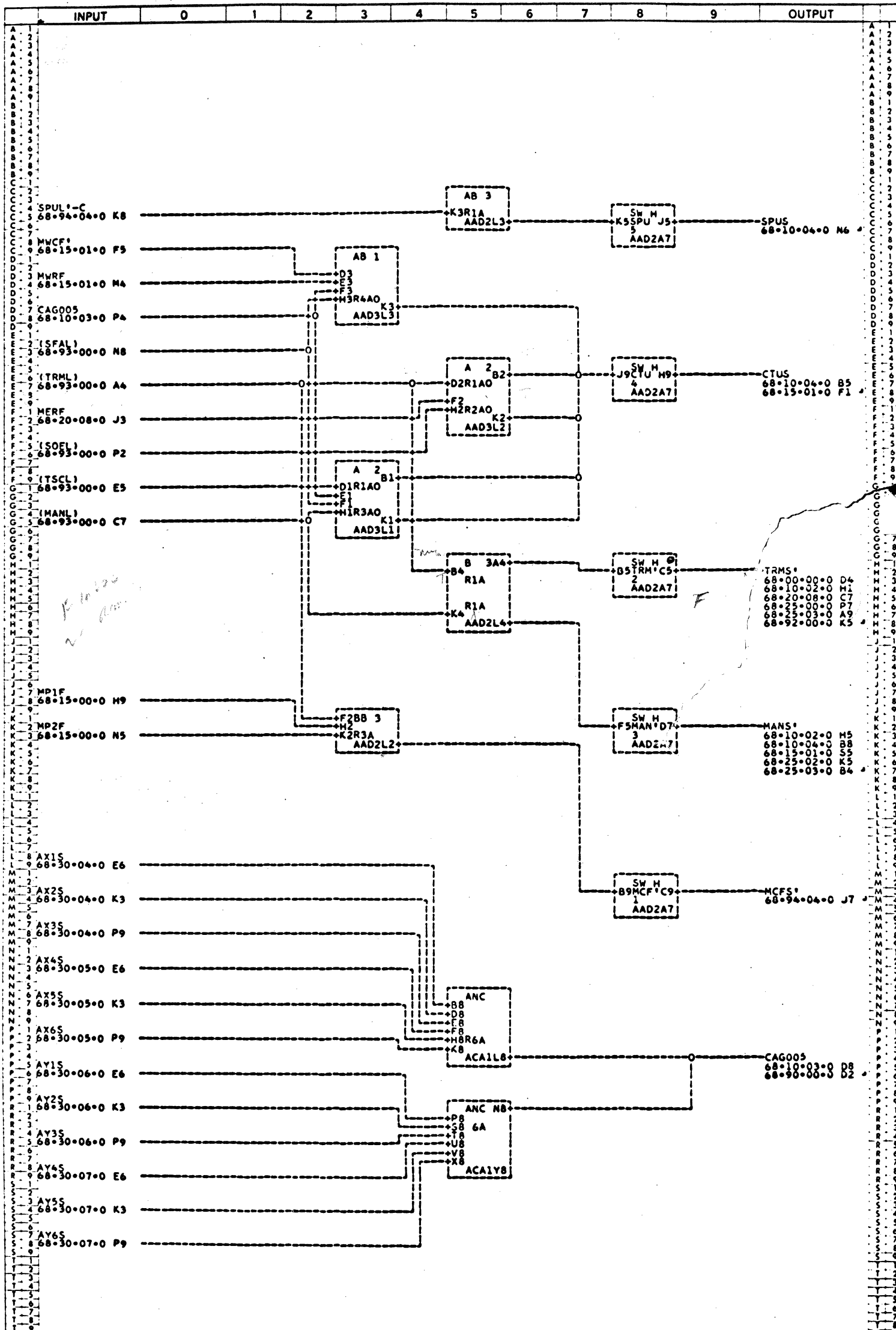
LOGIC SCHEMATIC



INPUT	0	1	2	3	4	5	6	7	8	9	OUTPUT
U 2	TITLE CONTROL CIRCUITS MISD MSTD PC2D RAOD A+1D H- 11167343AC										U 2
U 4	DRAWN BY TED Z CHECKED BY J E WOLLUM										U 4
U 6	UNIT NAME 4 USEC CORE MEMORY UNIT UNIT NO. 1115-1118										U 6
U 8	SYSTEM 85000 PAGE NO. 68-10-02-0										U 8

ELECTRODATA **Burroughs Corporation** PASADENA CALIFORNIA
 M&E DIVISION
 PROPERTY OF BURROUGHS CORPORATION NOT TO BE REPRODUCED, NOR USED FOR MANUFACTURING PURPOSES EXCEPT ON BURROUGHS ORDER OR PRIOR WRITTEN CONSENT

LOGIC SCHEMATIC



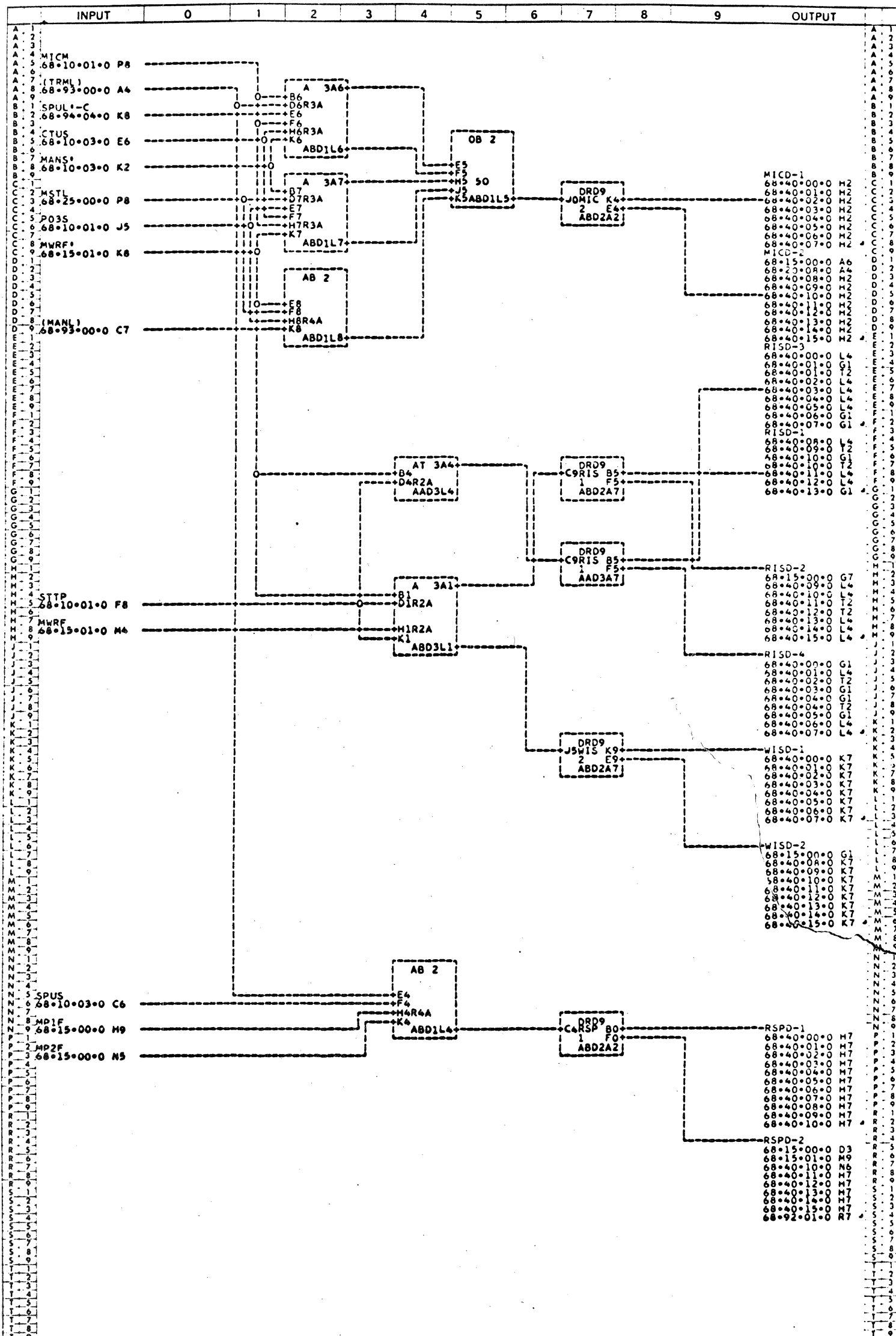
U 2	TITLE	CONTROL CKTS	SPUS	CTUS	TRMS	MANS	MCFS	CAG005	M-	11167350AB
U 4	DRAWN BY TED Z									
U 6	UNIT NAME & USEC CORE MEMORY UNIT									
U 8	SYSTEM B5000									
	CHECKED BY J E WOLLUM									
	UNIT NO. 11154119									
	PAGE NO. 68-10-03-0									

Burroughs Corporation

ELECTRODATA M&E DIVISION PASADENA CALIFORNIA

PROPERTY OF BURROUGHS CORPORATION. NOT TO BE REPRODUCED, NOR USED FOR MANUFACTURING PURPOSES EXCEPT ON BURROUGHS ORDER OR PRIOR WRITTEN CONSENT.

LOGIC SCHEMATIC

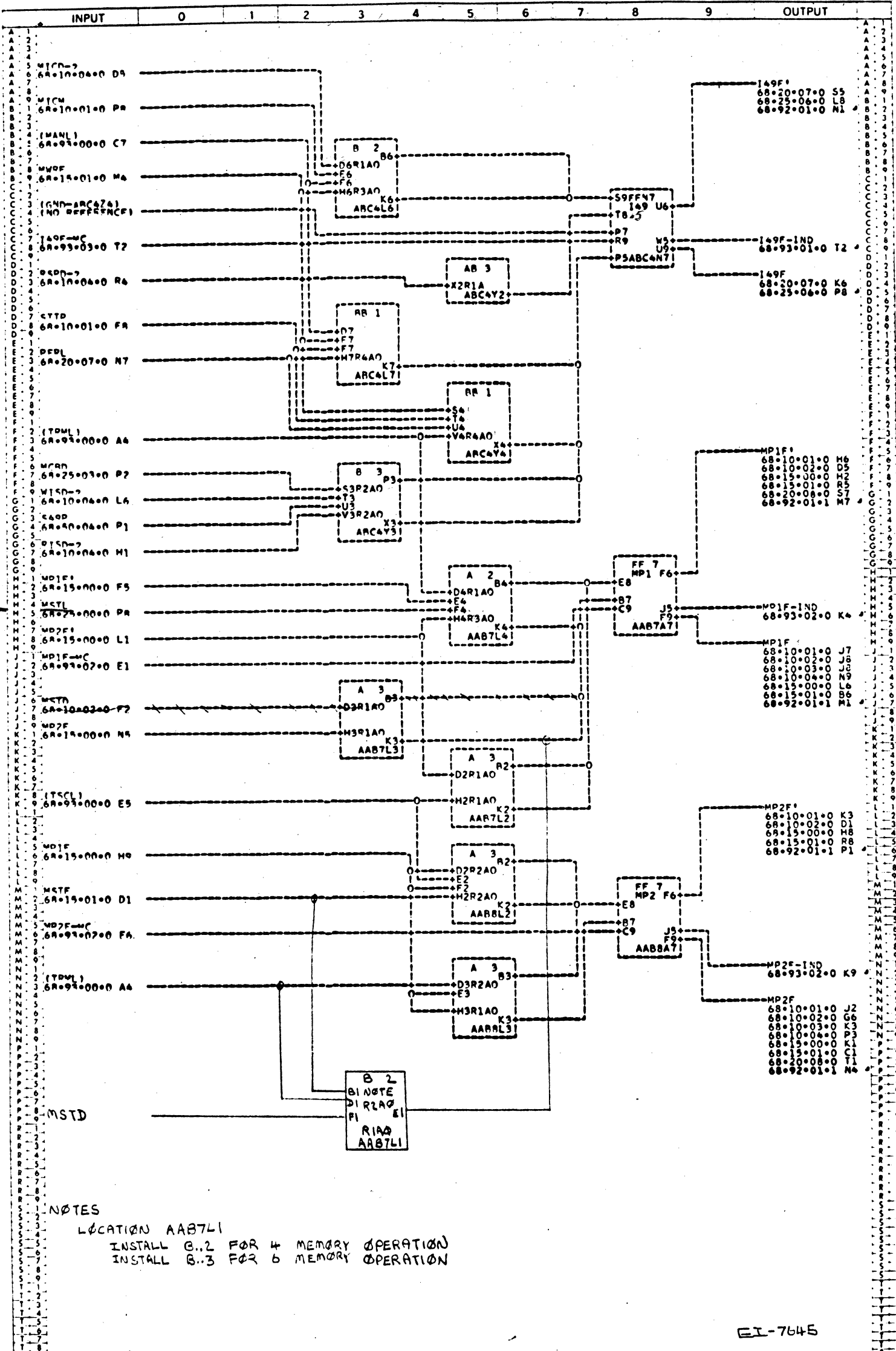


INPUT	0	1	2	3	4	5	6	7	8	9	OUTPUT
U 2 TITLE	REG. CONTROL DR'S MICD WISD AND RSPD										U 2
U 4 DRAWN BY	TED 2										U 4
U 6 UNIT NAME	4 USEC CORE MEMORY UNIT										U 6
U 8 SYSTEM	85000										U 8

ELECTRODATA **Burroughs Corporation** PASADENA CALIFORNIA
 M & E DIVISION

PROPERTY OF BURROUGHS CORPORATION NOT TO BE REPRODUCED, NOR USED FOR MANUFACTURING PURPOSES EXCEPT ON BURROUGHS ORDER OR PRIOR WRITTEN CONSENT

LOGIC SCHEMATIC



NOTES
 LOCATION AAB7L1
 INSTALL B.2 FOR 4 MEMORY OPERATION
 INSTALL B.3 FOR 6 MEMORY OPERATION

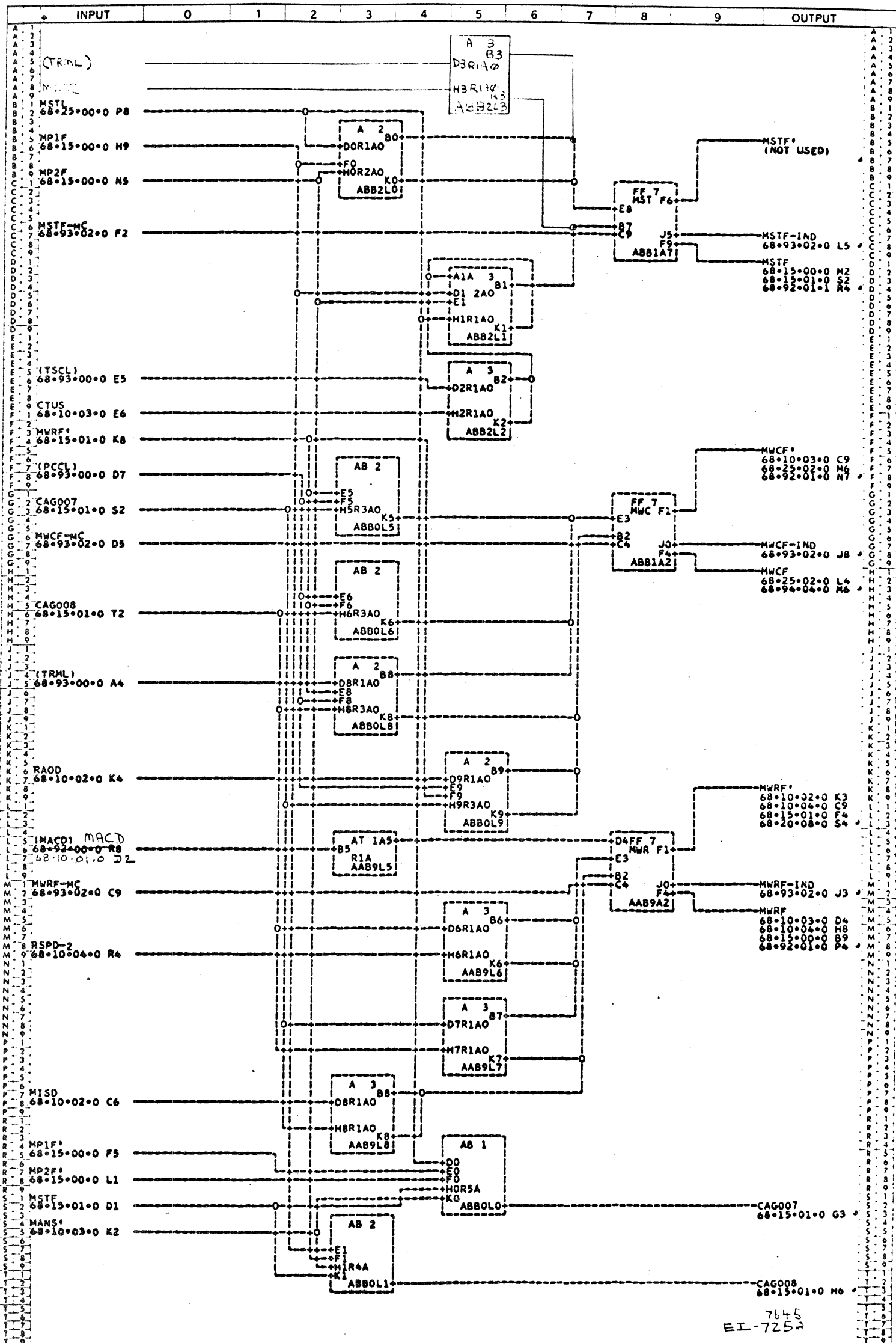
EI-7645

INPUT	0	1	2	3	4	5	6	7	8	9	OUTPUT
U 2 TITLE	I49F MP1F AND MP2F (PARITY BIT AND CLOCK CNTR.) M- 11167376AC										U 2
U 4 DRAWN BY	TED Z										U 4
U 6 UNIT NAME & I/SEC	CORE MEMORY UNIT										U 6
U 8 SYSTEM	R5000										U 8
	UNIT NO. 11194119										
	PAGE NO. 68-19-00-0										

ELECTRODATA **Burroughs Corporation** **PASADENA**
 M&E DIVISION CALIFORNIA

PROPERTY OF BURROUGHS CORPORATION NOT TO BE REPRODUCED NOR USED FOR MANUFACTURING PURPOSES EXCEPT ON BURROUGHS ORDER OR PRIOR WRITTEN CONSENT

LOGIC SCHEMATIC

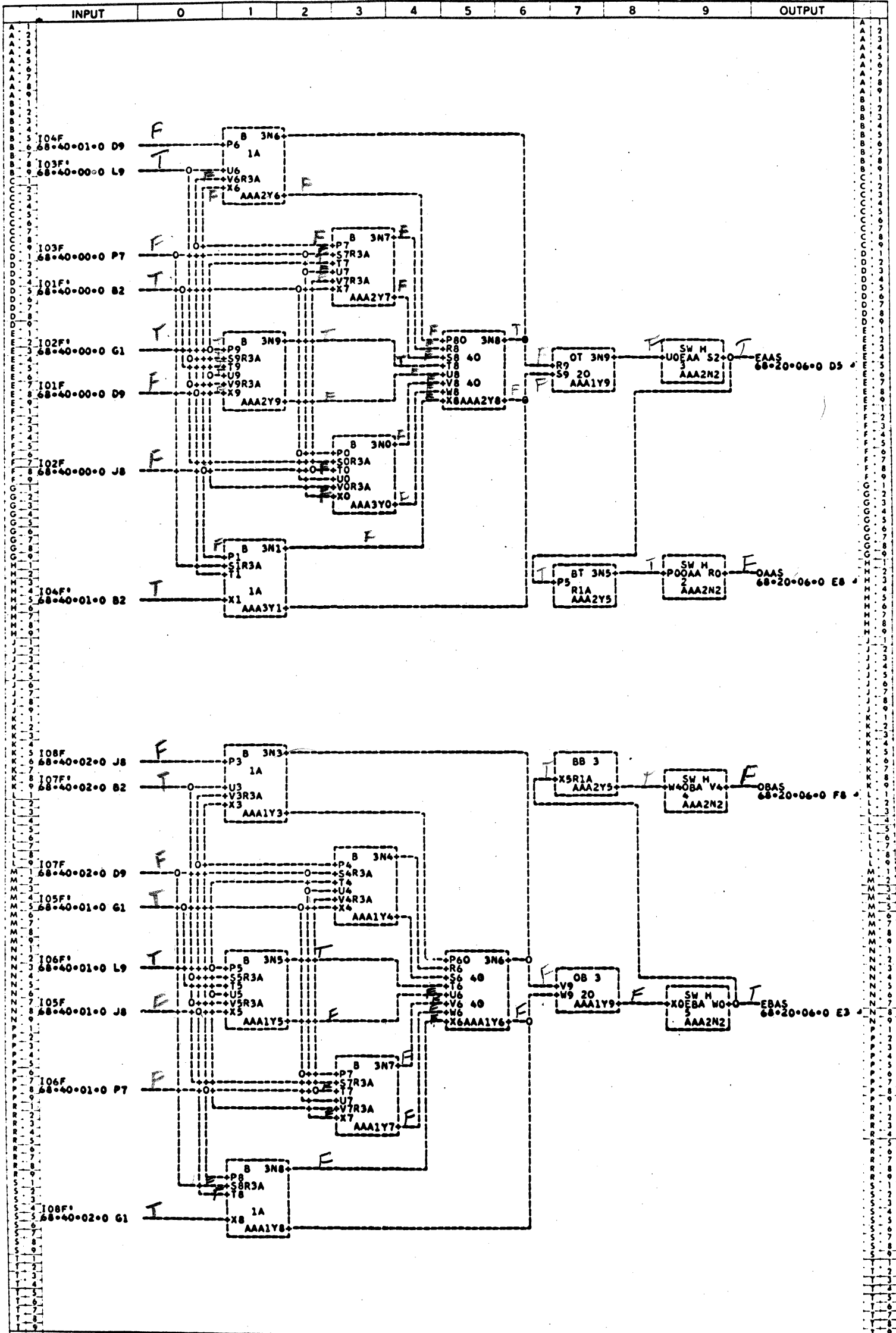


INPUT	0	1	2	3	4	5	6	7	8	9	OUTPUT
U 2	TITLE START WORST CASE AND WRITE FF'S MSTF MWCF MWRF M- 11167384AE										U 2
U 4	DRAWN BY TED Z CHECKED BY J E WOLLUM										U 4
U 6	UNIT NAME & USEC CORE MEMORY UNIT UNIT NO. 11194119										U 6
U 8	SYSTEM B5000 PAGE NO. 68-15-01-0										U 8

ELECTRODATA **Burroughs Corporation** PASADENA
 M&E DIVISION CALIFORNIA
 PROPERTY OF BURROUGHS CORPORATION NOT TO BE REPRODUCED, NOR USED FOR
 MANUFACTURING PURPOSES EXCEPT ON BURROUGHS ORDER OR PRIOR WRITTEN CONSENT

7645
EI-7252

LOGIC SCHEMATIC



INPUT	0	1	2	3	4	5	6	7	8	9	OUTPUT	
U 2	TITLE PARITY GENERATOR EAS THRU EBAS					M- 11167392AA						
U 4	DRAWN BY R B MENNIG		CHECKED BY J E WOLLUM									
U 6	UNIT NAME & USEC CORE MEMORY UNIT					UNIT NO. 11154119						
U 8	SYSTEM BS000					PAGE NO. 68-20-006-0						

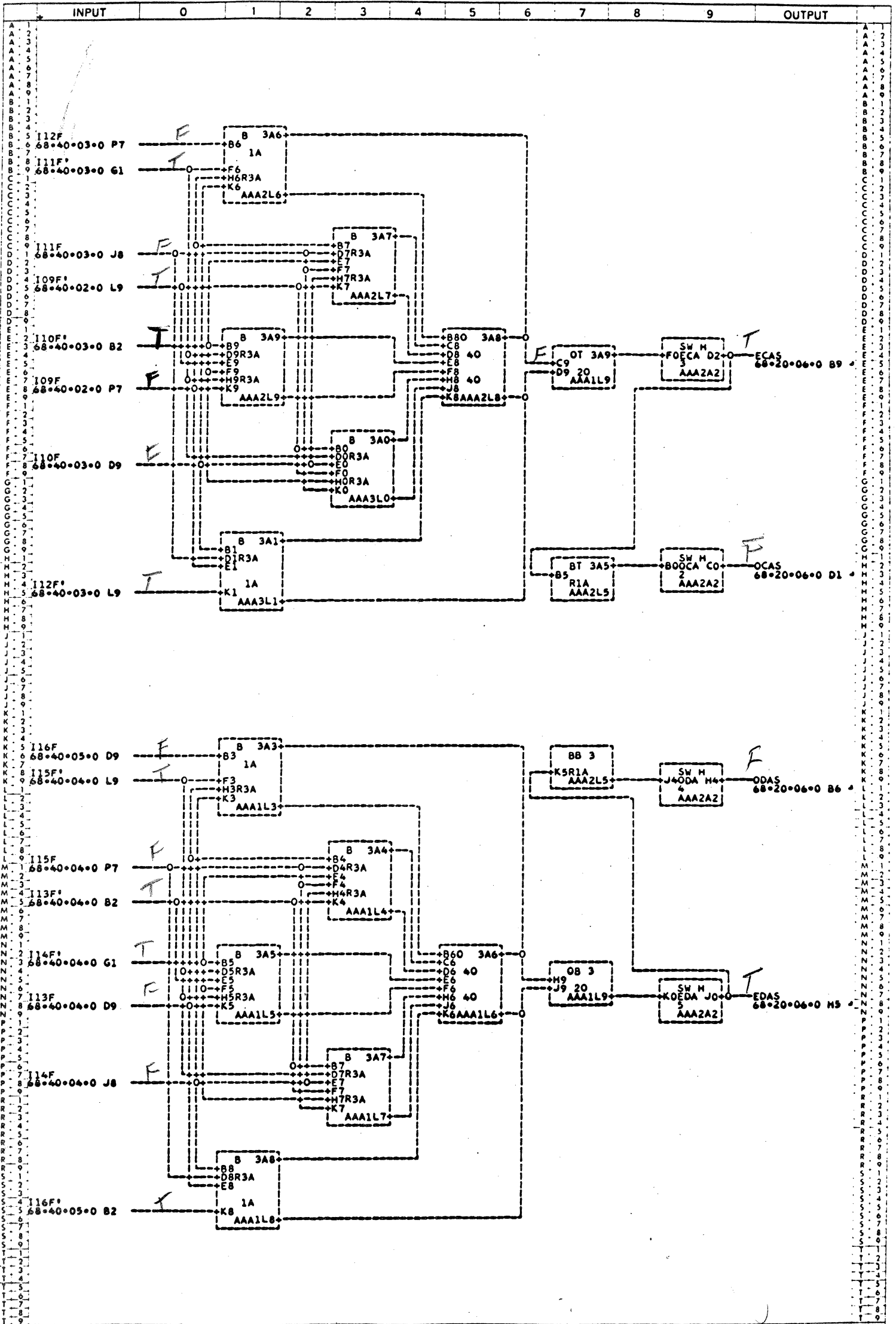
ELECTRODATA
M & E DIVISION

Burroughs Corporation

PASADENA CALIFORNIA

PROPERTY OF BURROUGHS CORPORATION NOT TO BE REPRODUCED, NOR USED FOR MANUFACTURING PURPOSES EXCEPT ON BURROUGHS ORDER OR PRIOR WRITTEN CONSENT

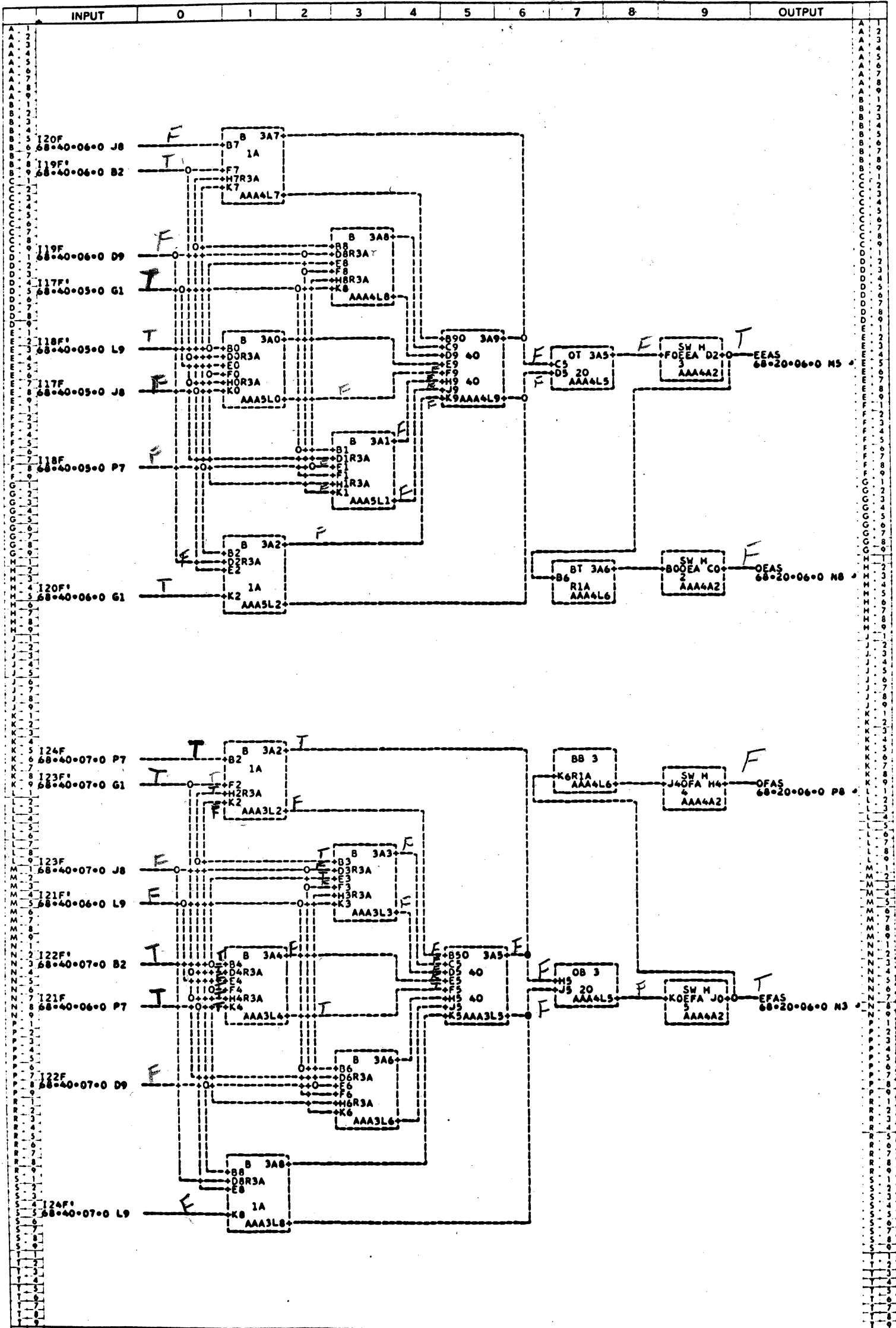
LOGIC SCHEMATIC



INPUT	0	1	2	3	4	5	6	7	8	9	OUTPUT
U 2	TITLE PARITY GENERATOR ECAS THRU EDAS										U 2
U 4	DRAWN BY R B MENNIG										U 4
U 6	UNIT NAME & USEC CORE MEMORY UNIT										U 6
U 8	SYSTEM B5000										U 8

Burroughs Corporation
 ELECTRODATA M & E DIVISION PASADENA CALIFORNIA
PROPERTY OF BURROUGHS CORPORATION NOT TO BE REPRODUCED, NOR USED FOR MANUFACTURING PURPOSES EXCEPT ON BURROUGHS ORDER OR PRIOR WRITTEN CONSENT

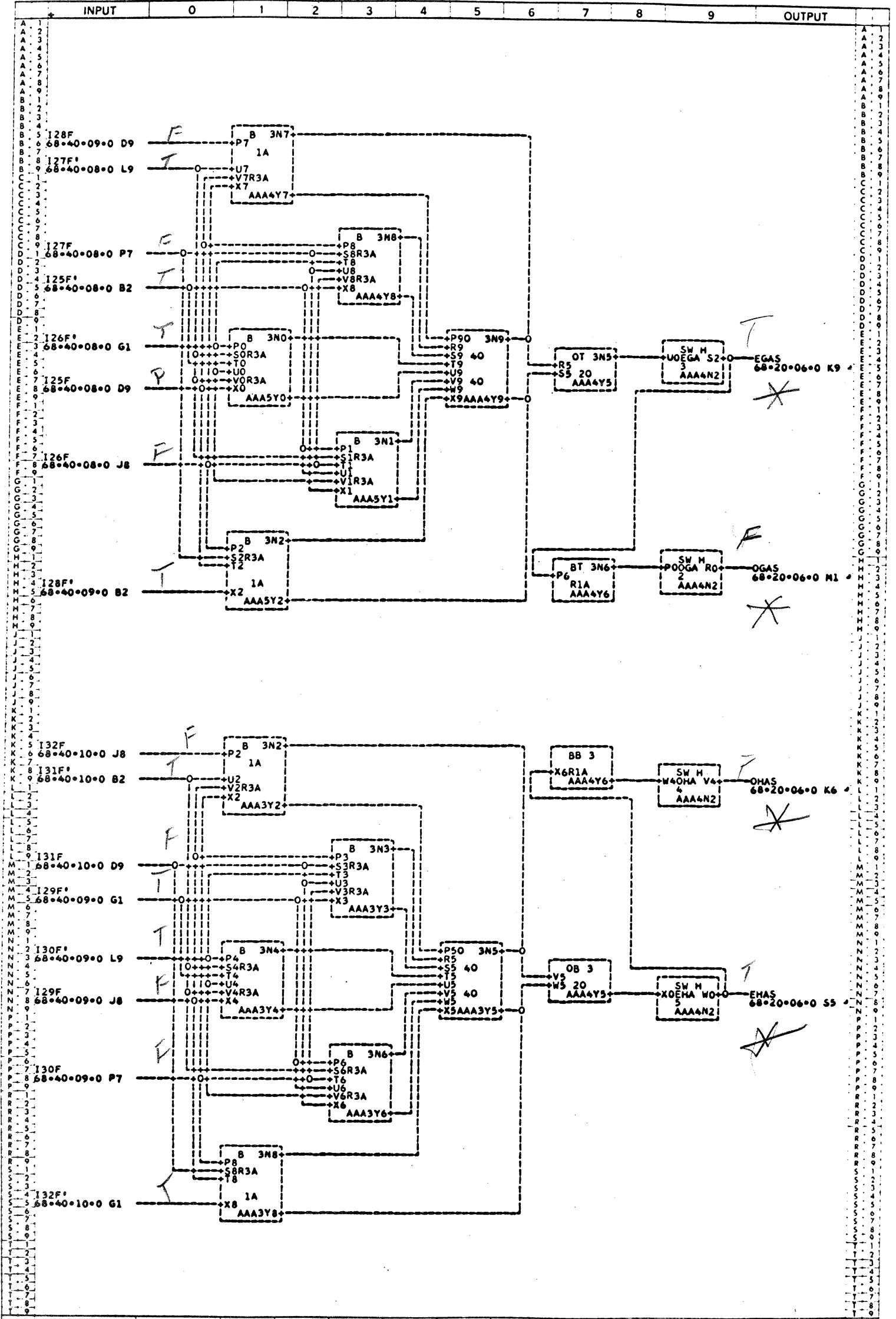
LOGIC SCHEMATIC



INPUT	0	1	2	3	4	5	6	7	8	9	OUTPUT
U 2 TITLE	PARITY GENERATOR EEAS THRU EFAS										M- 11167418AA
U 4 DRAWN BY	R B HENNIG										CHECKED BY J E WOLLUM
U 6 UNIT NAME & USEC CORE MEMORY UNIT	SYSTEM 83000										UNIT NO. 11154119
U 8 SYSTEM	83000										PAGE NO. 68-20-02-0

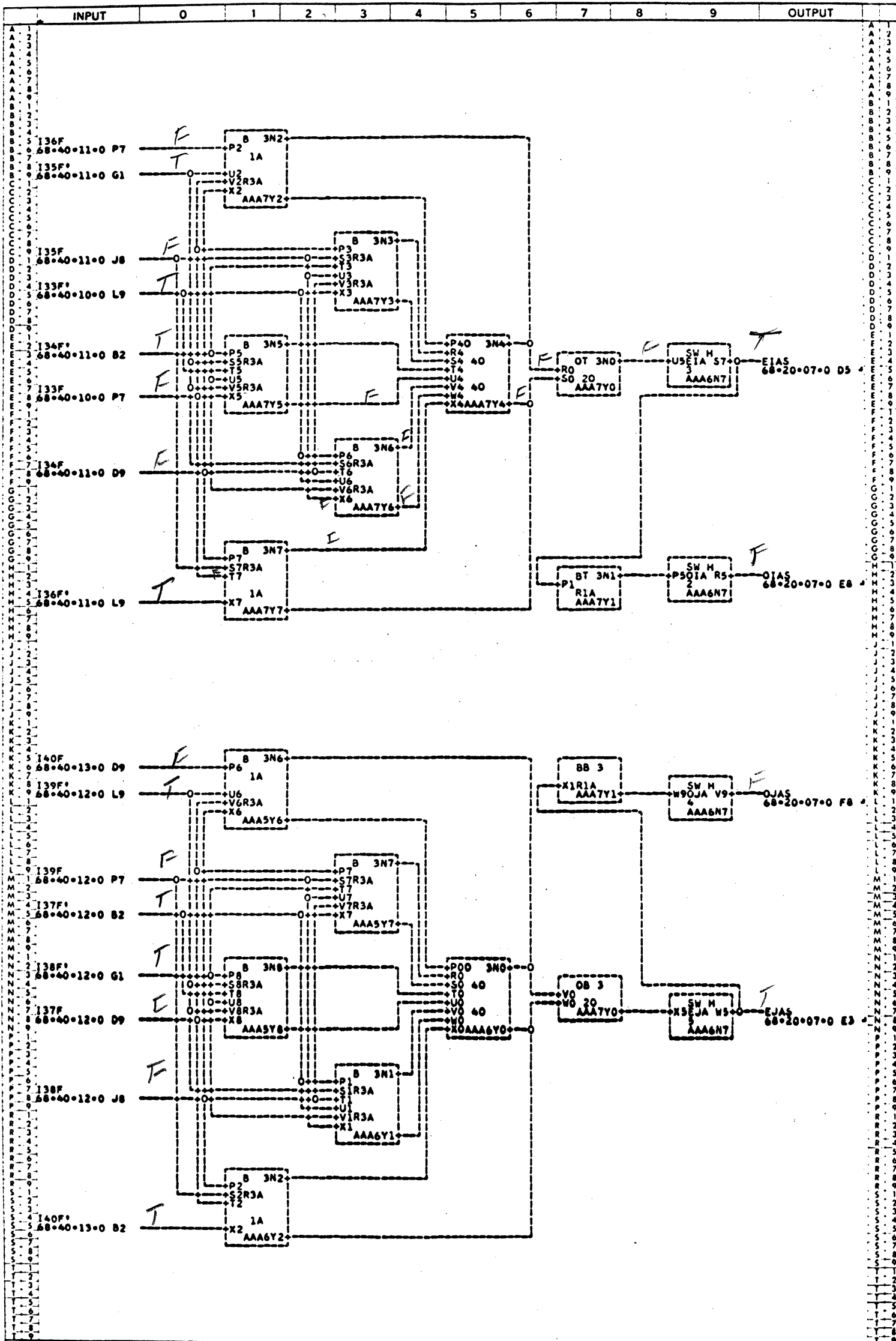
ELECTRODATA M&E DIVISION	Burroughs Corporation 	PASADENA CALIFORNIA
PROPERTY OF BURROUGHS CORPORATION NOT TO BE REPRODUCED, NOR USED FOR MANUFACTURING PURPOSES EXCEPT ON BURROUGHS ORDER OR PRIOR WRITTEN CONSENT		

LOGIC SCHEMATIC



INPUT	0	1	2	3	4	5	6	7	8	9	OUTPUT			
U 2	TITLE PARITY GENERATOR EGAS THRU EHAS										M- 11167426AA	U 2		
U 4	DRAWN BY R B HENNIG										CHECKED BY J E WOLLUM	ELECTRODATA M&E DIVISION	Burroughs Corporation PASADENA CALIFORNIA	U 4
U 6	UNIT NAME & USEC CORE MEMORY UNIT										UNIT NO. 11154119	PROPERTY OF BURROUGHS CORPORATION NOT TO BE REPRODUCED, NOR USED FOR MANUFACTURING PURPOSES EXCEPT ON BURROUGHS ORDER OR PRIOR WRITTEN COMMENT	U 6	
U 8	SYSTEM B3600										PAGE NO. 68-20-03-0	U 8		

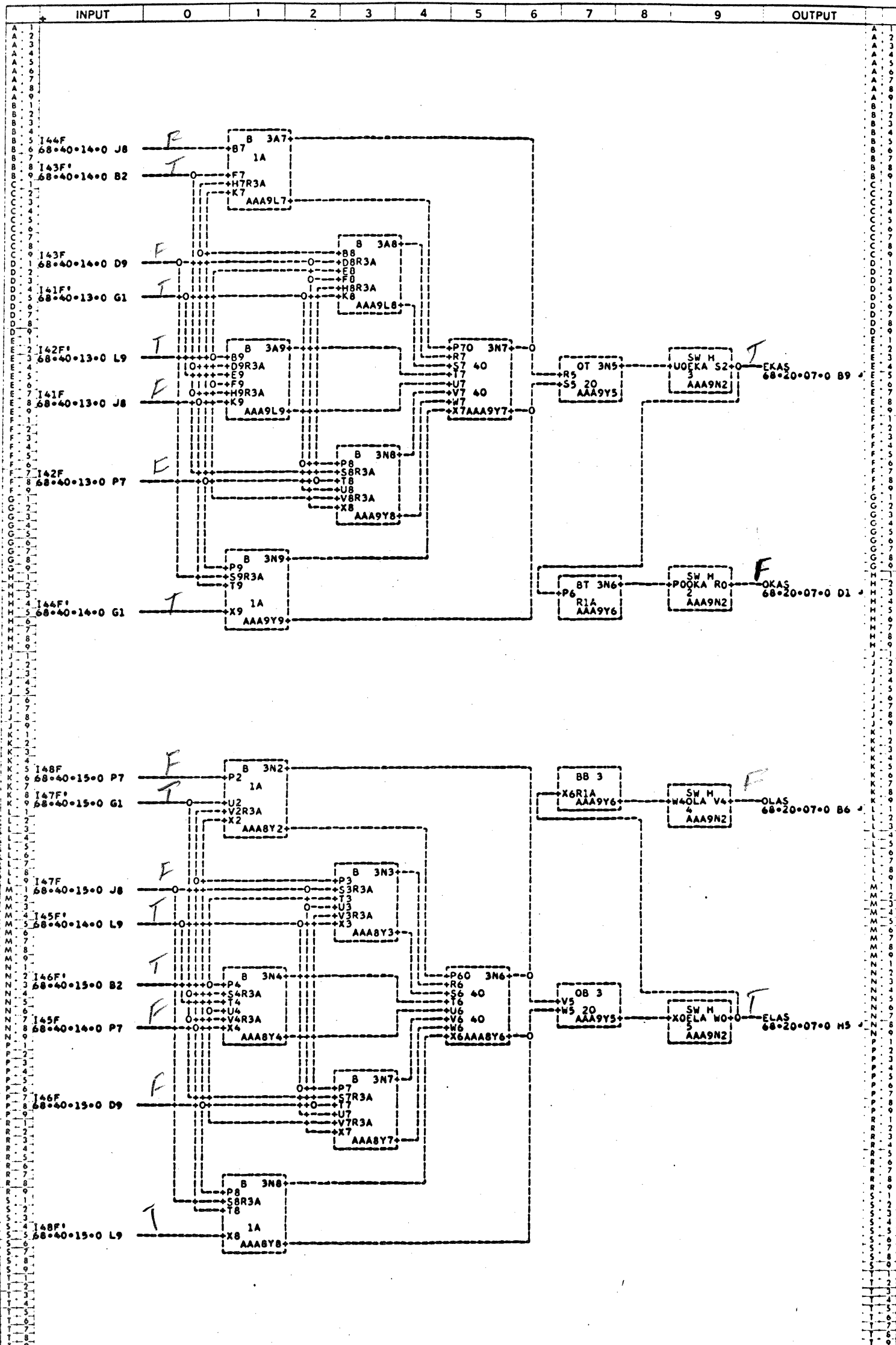
LOGIC SCHEMATIC



	INPUT	0	1	2	3	4	5	6	7	8	9	OUTPUT		
U 2	TITLE PARITY GENERATOR EIAS THRU EJAS												M- 11167436AA	U 2
U 4	DRAWN BY R B HENNIG												CHECKED BY J E WOLLUM	U 4
U 6	UNIT NAME & USEC CORE MEMORY UNIT												UNIT NO. 11154119	U 6
U 8	SYSTEM 85000												PAGE NO. 68-20-06-0	U 8

ELECTRODATA M&E DIVISION	Burroughs Corporation PASADENA CALIFORNIA	
PROPERTY OF BURROUGHS CORPORATION NOT TO BE REPRODUCED, NOR USED FOR MANUFACTURING PURPOSES EXCEPT ON BURROUGHS ORDER OR PRIOR WRITTEN CONSENT		

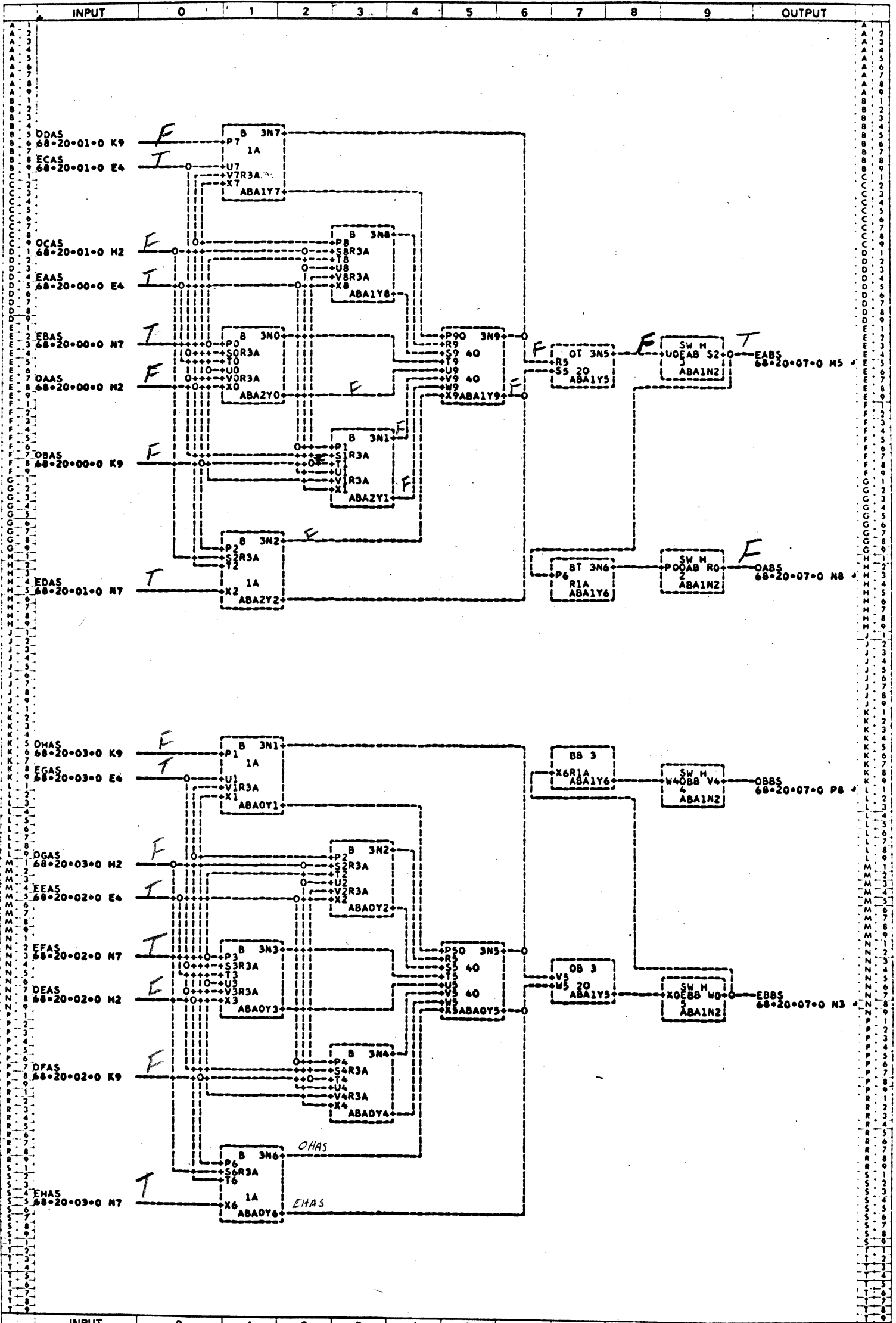
LOGIC SCHEMATIC



	INPUT	0	1	2	3	4	5	6	7	8	9	OUTPUT	
U 2	TITLE PARITY GENERATOR EKAS THRU ELAS											M- 11167442AA	U 2
U 4	DRAWN BY R B MENNIG				CHECKED BY J E WOLLUM								U 4
U 6	UNIT NAME & USEC CORE MEMORY UNIT											UNIT NO. 11194119	U 6
U 8	SYSTEM B9000											PAGE NO. 68-20-05-0	U 8

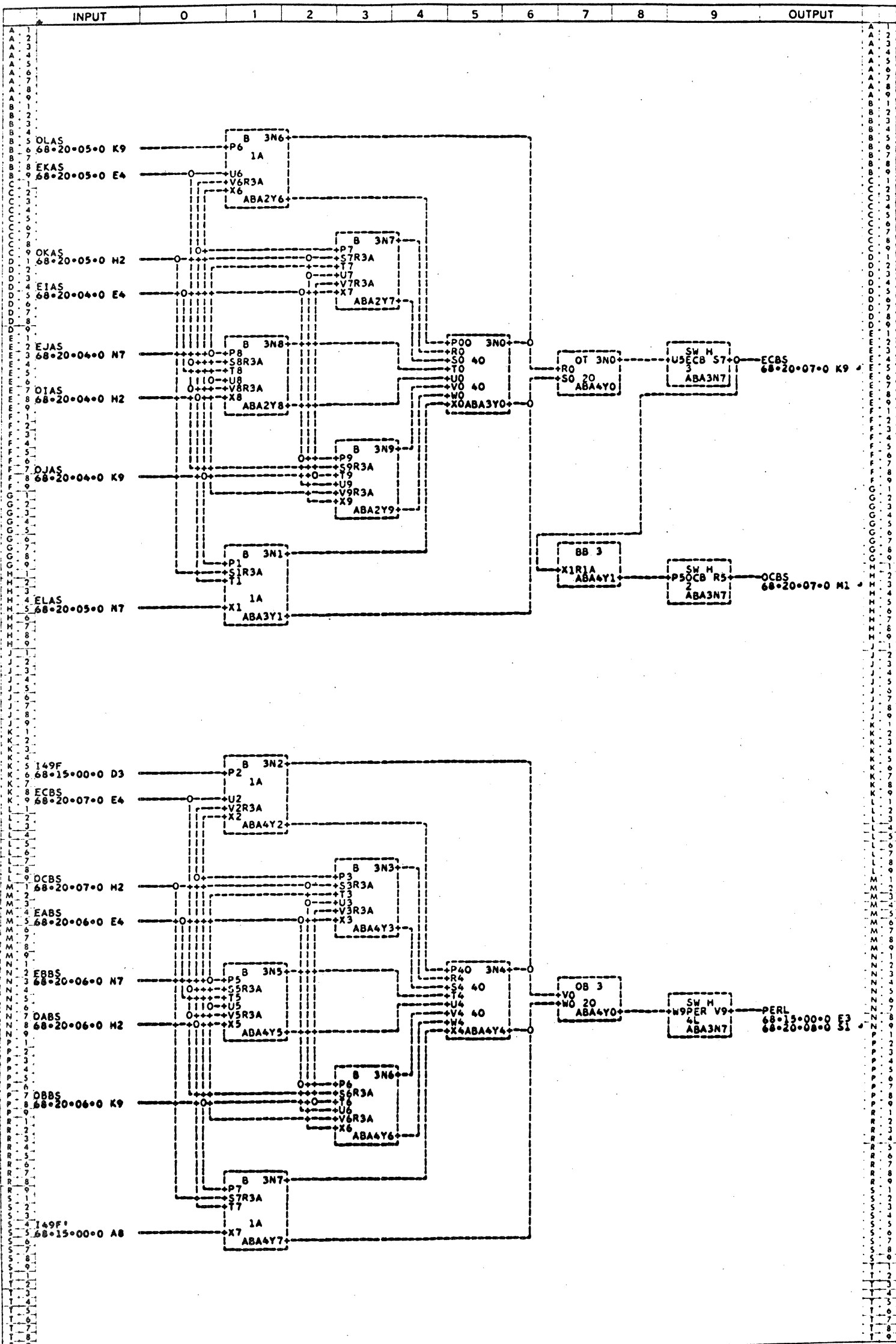
Burroughs Corporation
 ELECTRODATA M&E DIVISION PASADENA CALIFORNIA
PROPERTY OF BURROUGHS CORPORATION NOT TO BE REPRODUCED, NOR USED FOR MANUFACTURING PURPOSES EXCEPT ON BURROUGHS ORDER OR PRIOR WRITTEN COMMENT

LOGIC SCHEMATIC



INPUT	0	1	2	3	4	5	6	7	8	9	OUTPUT
U 2	TITLE PARITY GENERATOR EABS THRU EBBS										U 2
U 4	DRAWN BY R B HENNIG										U 4
U 6	UNIT NAME & USEC CORE MEMORY UNIT										U 6
U 8	SYSTEM 83000										U 8
						M- 11167459AA		ELECTRODATA		Burroughs Corporation	
						CHECKED BY J E WOLLUM		M&E DIVISION		PASADENA CALIFORNIA	
						UNIT NO. 11194119		PROPERTY OF BURROUGHS CORPORATION NOT TO BE REPRODUCED, NOR USED FOR MANUFACTURING PURPOSES EXCEPT ON BURROUGHS ORDER OR PRIOR WRITTEN CONSENT			
						PAGE NO. 68-20-0600					

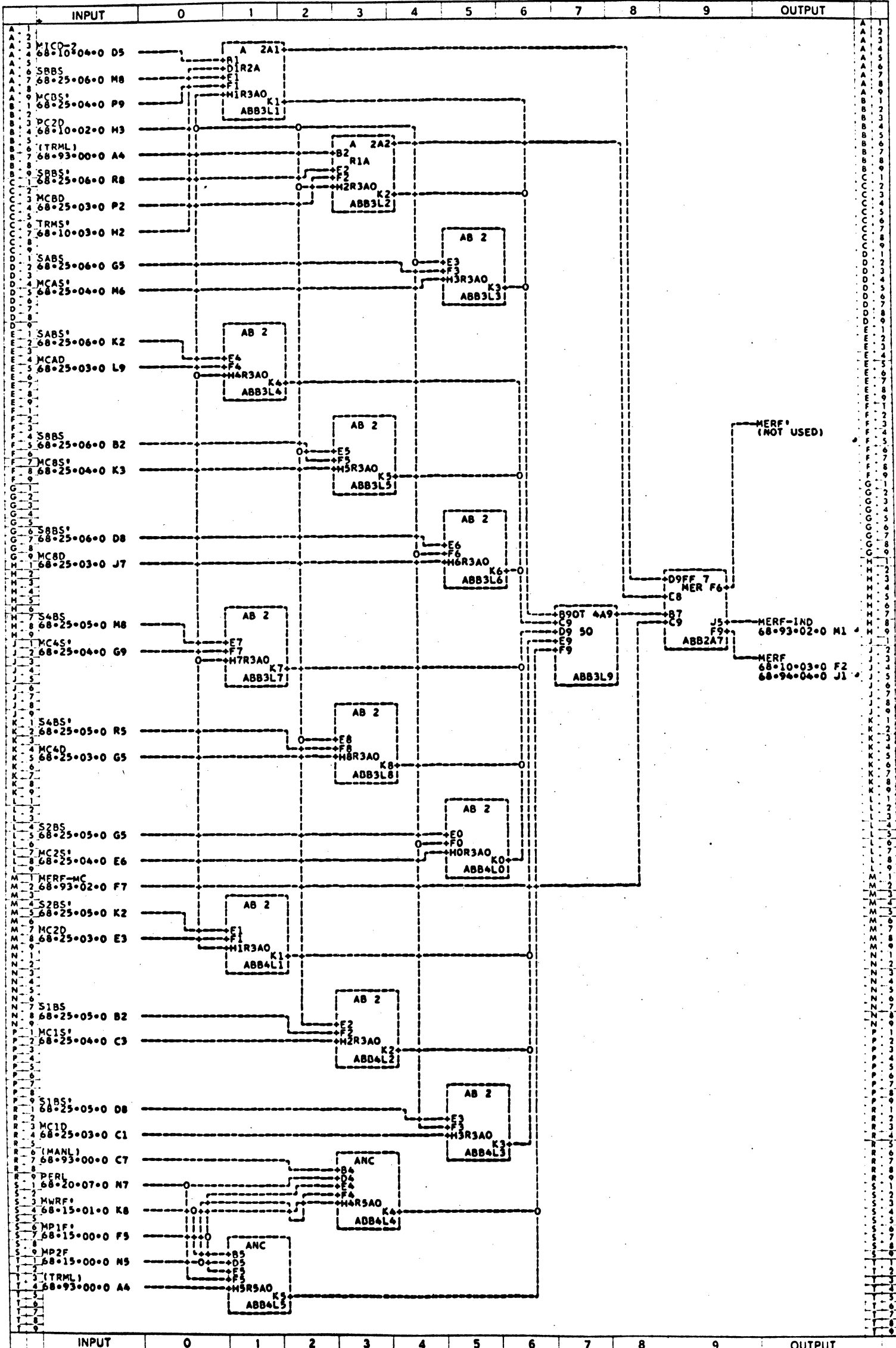
LOGIC SCHEMATIC



INPUT	0	1	2	3	4	5	6	7	8	9	OUTPUT	
U 2	TITLE PARITY GENERATOR ECBS THRU PERL										H- 11167467AA	U 2
U 4	DRAWN BY R B HENNIG										CHECKED BY J E VOLLUM	U 4
U 6	UNIT NAME 4 USEC CORE MEMORY UNIT										UNIT NO. 11154119	U 6
U 8	SYSTEM 85000										PAGE NO. 68-20-07-0	U 8

ELECTRODATA **Burroughs Corporation** PASADENA CALIFORNIA
 M & E DIVISION 3
 PROPERTY OF BURROUGHS CORPORATION NOT TO BE REPRODUCED, NOR USED FOR
 MANUFACTURING PURPOSES EXCEPT ON BURROUGHS ORDER OR PRIOR WRITTEN CONSENT

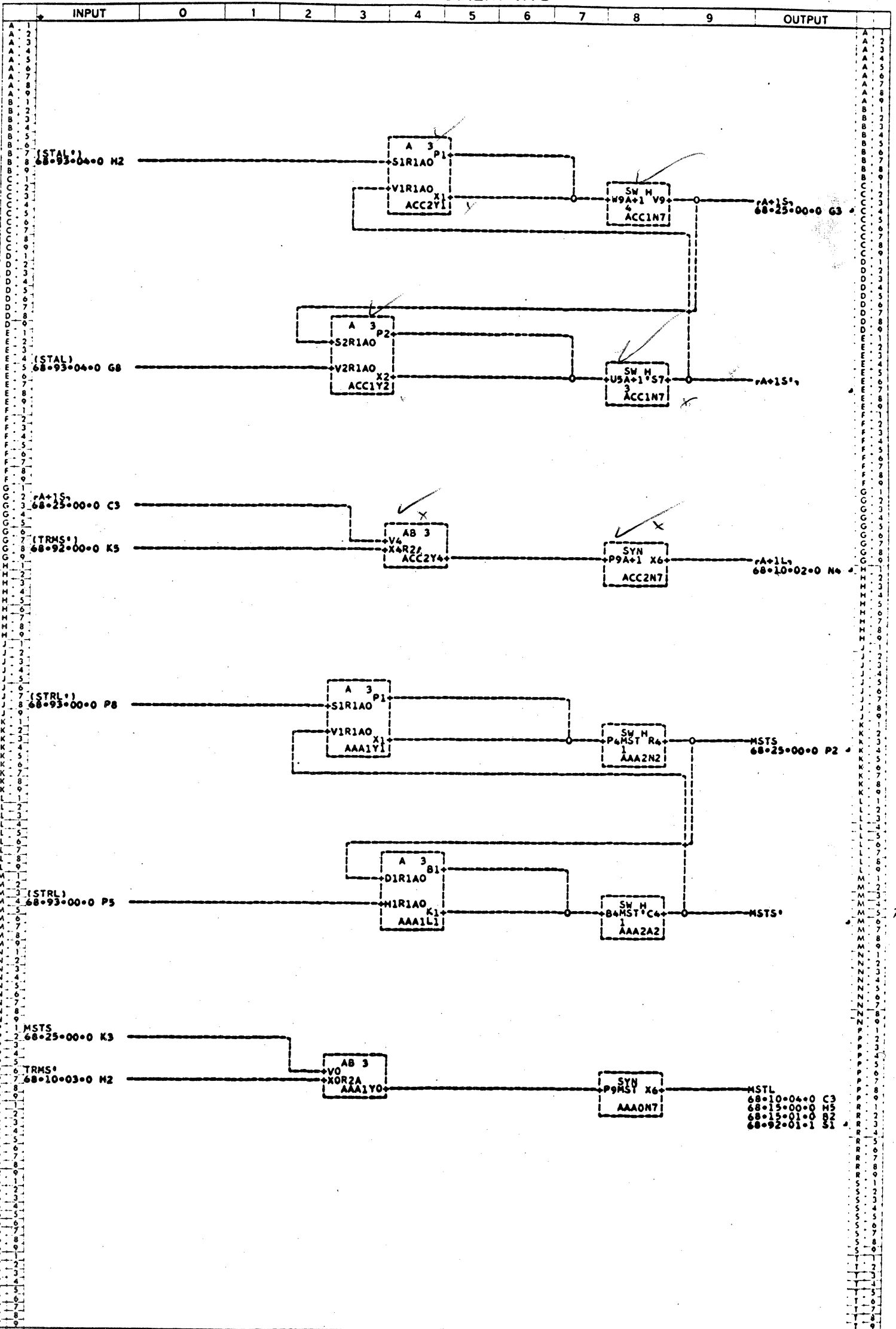
LOGIC SCHEMATIC



U 2	TITLE PARITY ERROR FF MERF	M- 11167479AC	
U 4	DRAWN BY J S GIANOULIS	CHECKED BY J E WOLLUM	
U 6	UNIT NAME & USEC CORE MEMORY UNIT	UNIT NO. 11194119	
U 8	SYSTEM B3000	PAGE NO. 68-20-08-0	

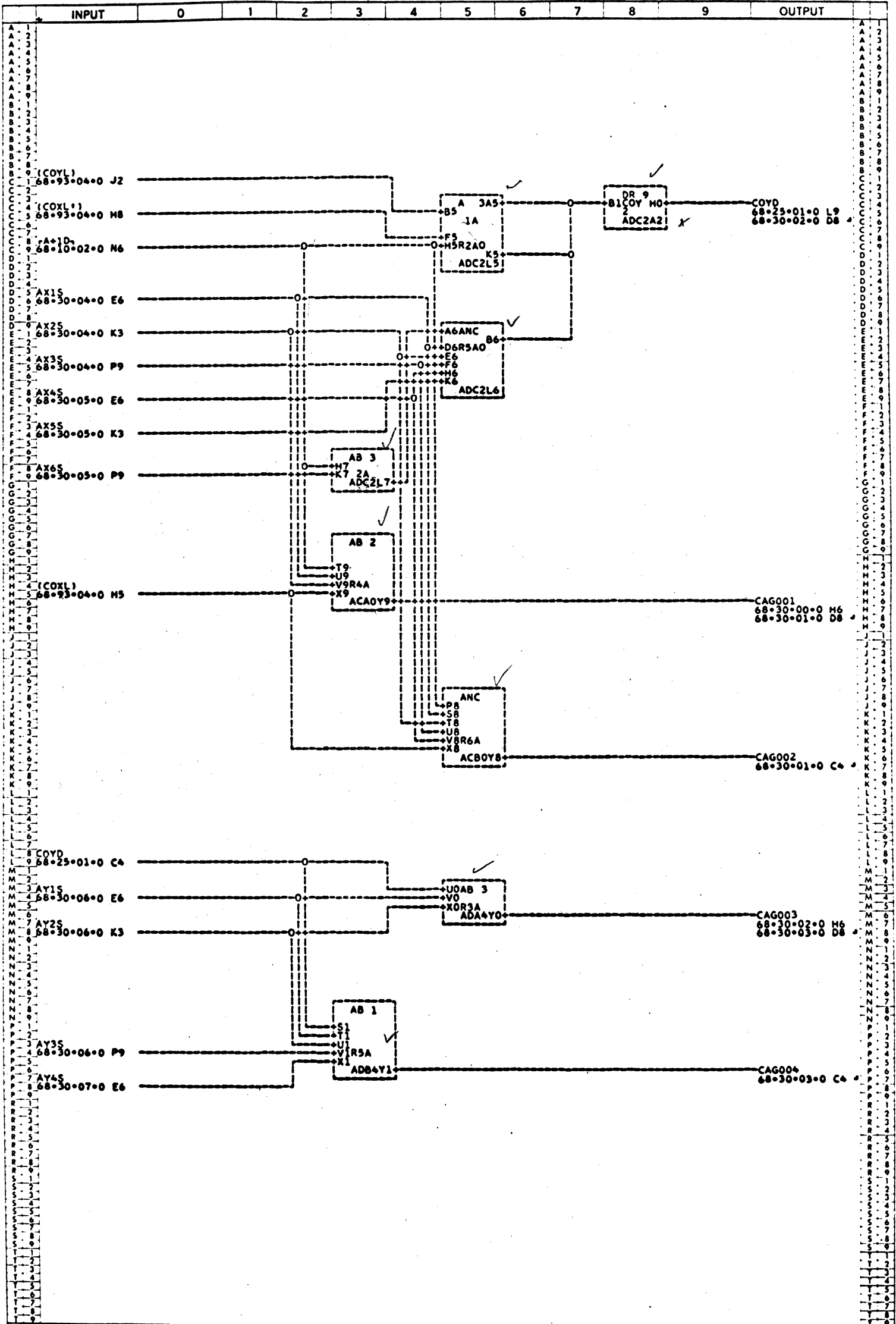
Burrhoughs Corporation
 ELECTRODATA M&E DIVISION PASADENA CALIFORNIA
 PROPERTY OF BURROUGHS CORPORATION NOT TO BE REPRODUCED, NOR USED FOR MANUFACTURING PURPOSES EXCEPT ON BURROUGHS ORDER OF PRIOR WRITTEN CONSENT

LOGIC SCHEMATIC



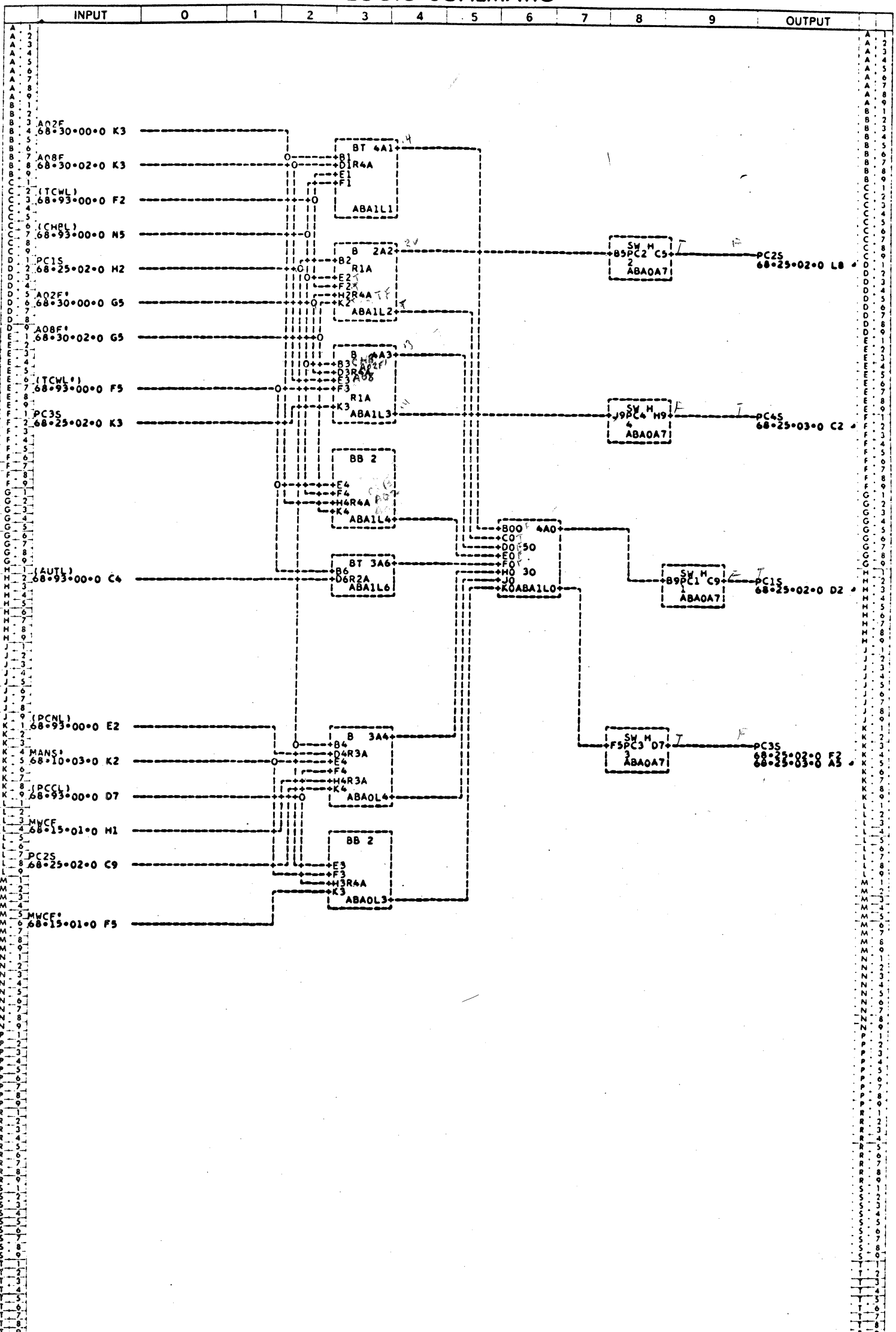
INPUT	0	1	2	3	4	5	6	7	8	9	OUTPUT
U 2	TITLE LOCAL START AND COUNT UP 'A' REG. CIRCUITS										U 2
U 4	DRAWN BY TED Z										U 4
U 6	UNIT NAME & USEC CORE MEMORY UNIT										U 6
U 8	SYSTEM B5000										U 8
M- 11167483AB						ELECTRODATA					
CHECKED BY J E WOLLUM						Burroughs Corporation					
UNIT NO. 11194119						PASADENA CALIFORNIA					
PAGE NO. 68-25-00-0						PROPERTY OF BURROUGHS CORPORATION NOT TO BE REPRODUCED NOR USED FOR MANUFACTURING PURPOSES EXCEPT ON BURROUGHS ORDER OR PRIOR WRITTEN CONSENT					

LOGIC SCHEMATIC



680 1007-1 REV 2-66

LOGIC SCHEMATIC

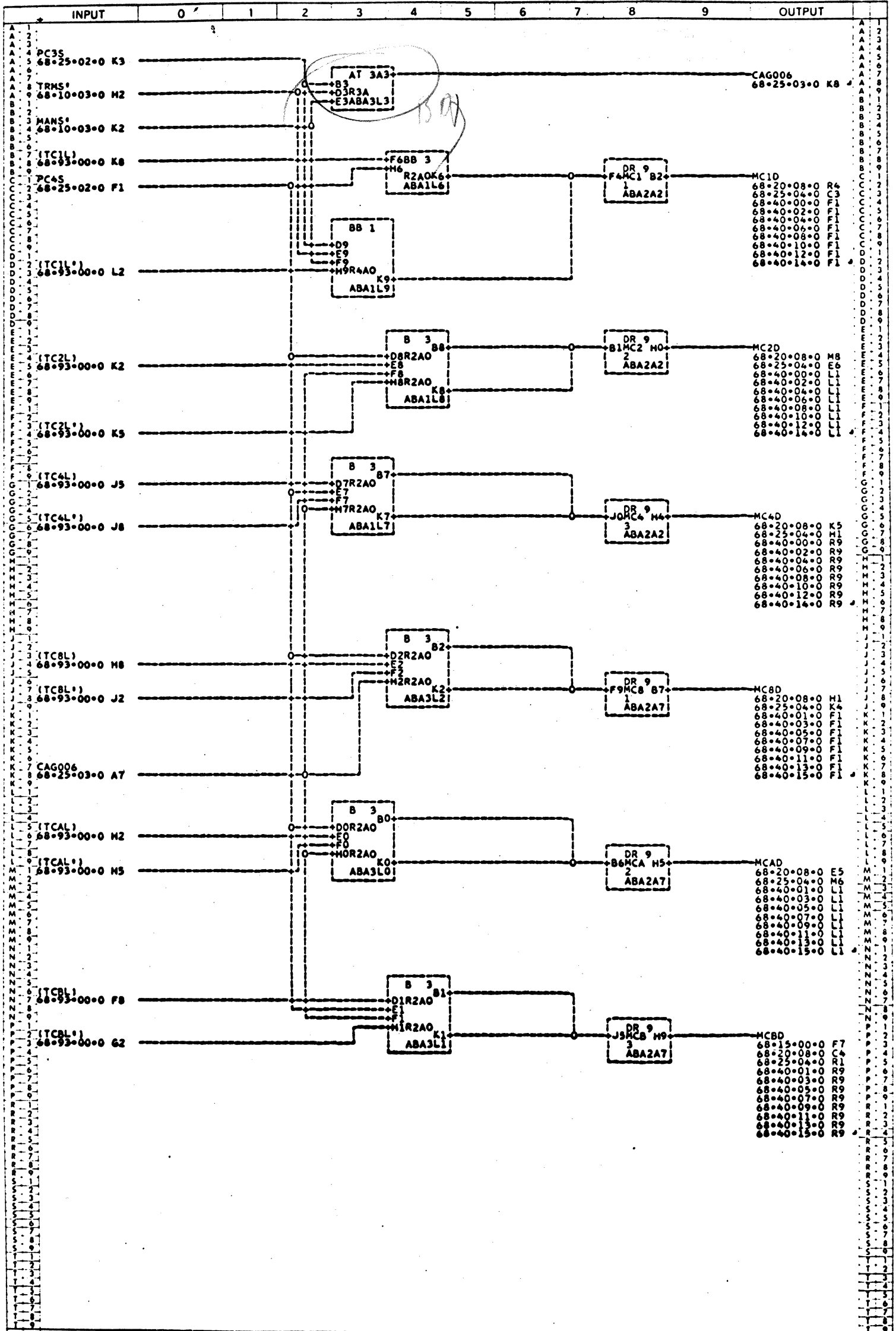


INPUT	0	1	2	3	4	5	6	7	8	9	OUTPUT
U 2	TITLE TEST PATTERN CONTROL LOGIC SW'S PC1S PC2S PC3S H- 11167509AC										U 2
U 4	DRAWN BY TED Z CHECKED BY J E WOLLUM										U 4
U 6	UNIT NAME & USEC CORE MEMORY UNIT UNIT NO. 11154119										U 6
U 8	SYSTEM 85000 PAGE NO. 68-25-02-0										U 8

ELECTRODATA **Burroughs Corporation** PASADENA CALIFORNIA
 M & E DIVISION

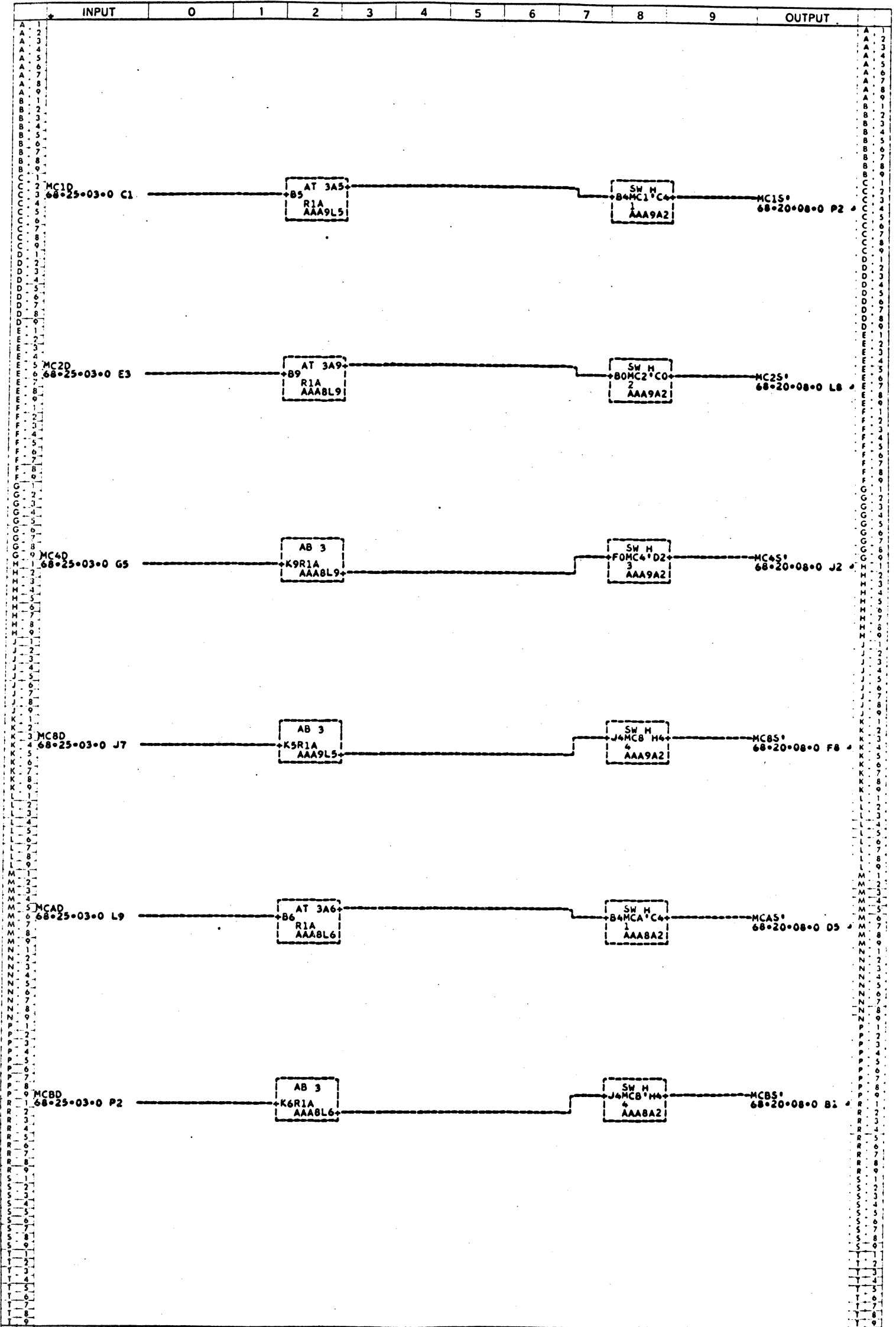
PROPERTY OF BURROUGHS CORPORATION NOT TO BE REPRODUCED, NOR USED FOR MANUFACTURING PURPOSES EXCEPT ON BURROUGHS ORDER OR PRIOR WRITTEN CONSENT

LOGIC SCHEMATIC



	INPUT	0	1	2	3	4	5	6	7	8	9	OUTPUT	
U 2	TITLE MAINTENANCE CONTROL BIT'S DR'S AND CAG006											U 2	
U 4	DRAWN BY TED Z											U 4	
U 6	UNIT NAME & USEC CORE MEMORY UNIT											U 6	
U 8	SYSTEM B5000											U 8	
	H- 11167917A8 CHECKED BY J E WOLLUM UNIT NO. 11154119 PAGE NO. 68-25-03-0												
	ELECTRODATA M&E DIVISION												
	Burroughs Corporation PASADENA CALIFORNIA												
	PROPERTY OF BURROUGHS CORPORATION NOT TO BE REPRODUCED, NOR USED FOR MANUFACTURING PURPOSES EXCEPT ON BURROUGHS ORDER OR PRIOR WRITTEN CONSENT												

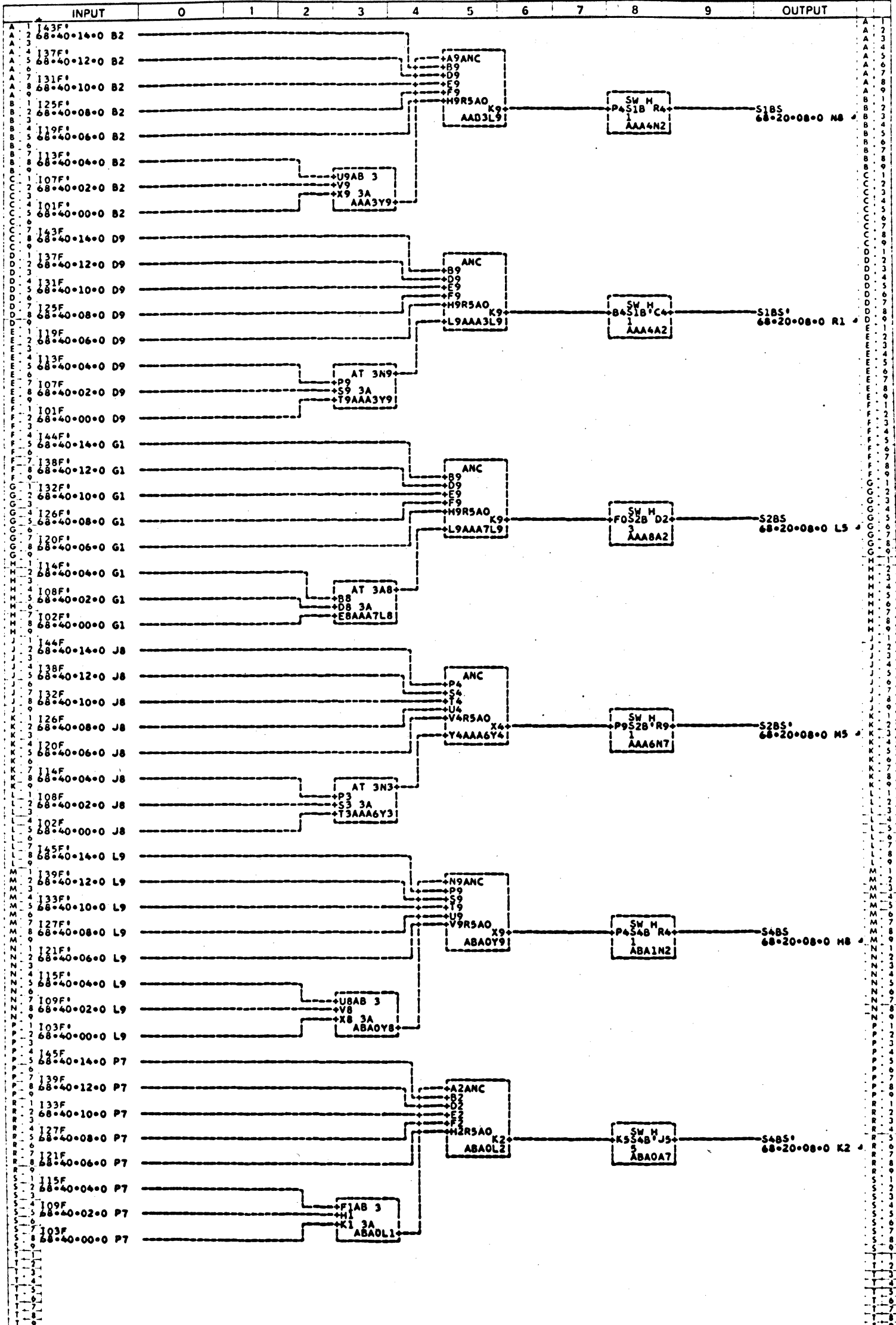
LOGIC SCHEMATIC



U 2	TITLE	0	1	2	3	4	5	6	7	8	9	OUTPUT	U 2
U 4	DRAWN BY R B HENNIG					CHECKED BY J E WOLLUM					M- 11167525AA		U 4
U 6	UNIT NAME & USEC CORE MEMORY UNIT					UNIT NO. 11154119					PAGE NO. 68-25-04-0		U 6
U 8	SYSTEM 85000												U 8

Burroughs Corporation
 ELECTRODATA M & E DIVISION PASADENA CALIFORNIA
 PROPERTY OF BURROUGHS CORPORATION NOT TO BE REPRODUCED, NOR USED FOR MANUFACTURING PURPOSES EXCEPT ON BURROUGHS ORDER OR PRIOR WRITTEN CONSENT

LOGIC SCHEMATIC



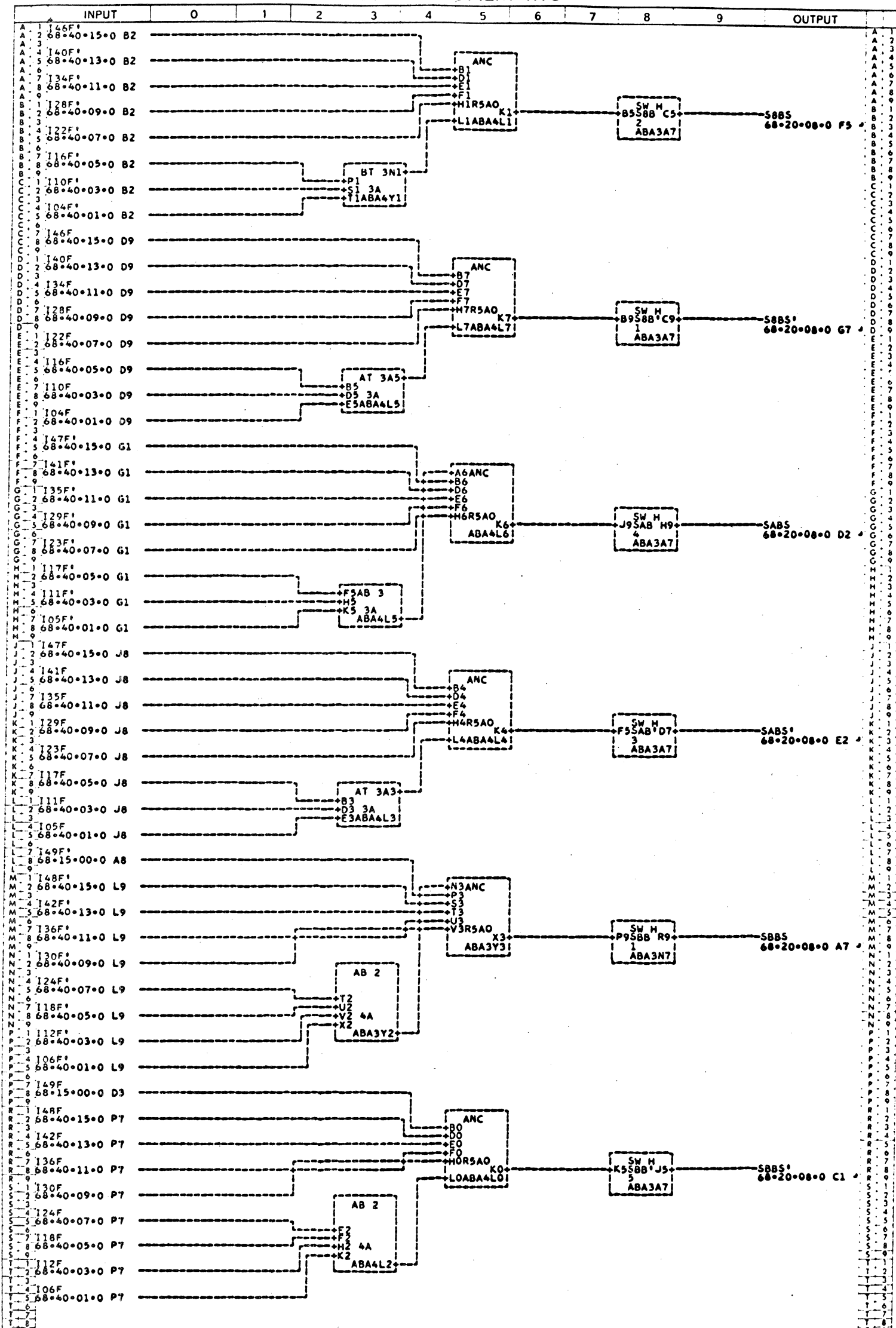
U 2 TITLE	TEST PATTERN BIT SENSING SW'S S1BS THRU S4BS	M- 11167533AC
U 4 DRAWN BY	TED 2	CHECKED BY J E WOLLUM
U 6 UNIT NAME & USEC CORE MEMORY UNIT	UNIT NO. 11194120	
U 8 SYSTEM	8B400	PAGE NO. 48-28-00-00

ELECTRODATA **Burroughs Corporation** PASADENA CALIFORNIA

M&E DIVISION PASADENA CALIFORNIA

PROPERTY OF BURROUGHS CORPORATION NOT TO BE REPRODUCED, NOR USED FOR MANUFACTURING PURPOSES EXCEPT ON BURROUGHS ORDER OR PRIOR WRITTEN CONSENT

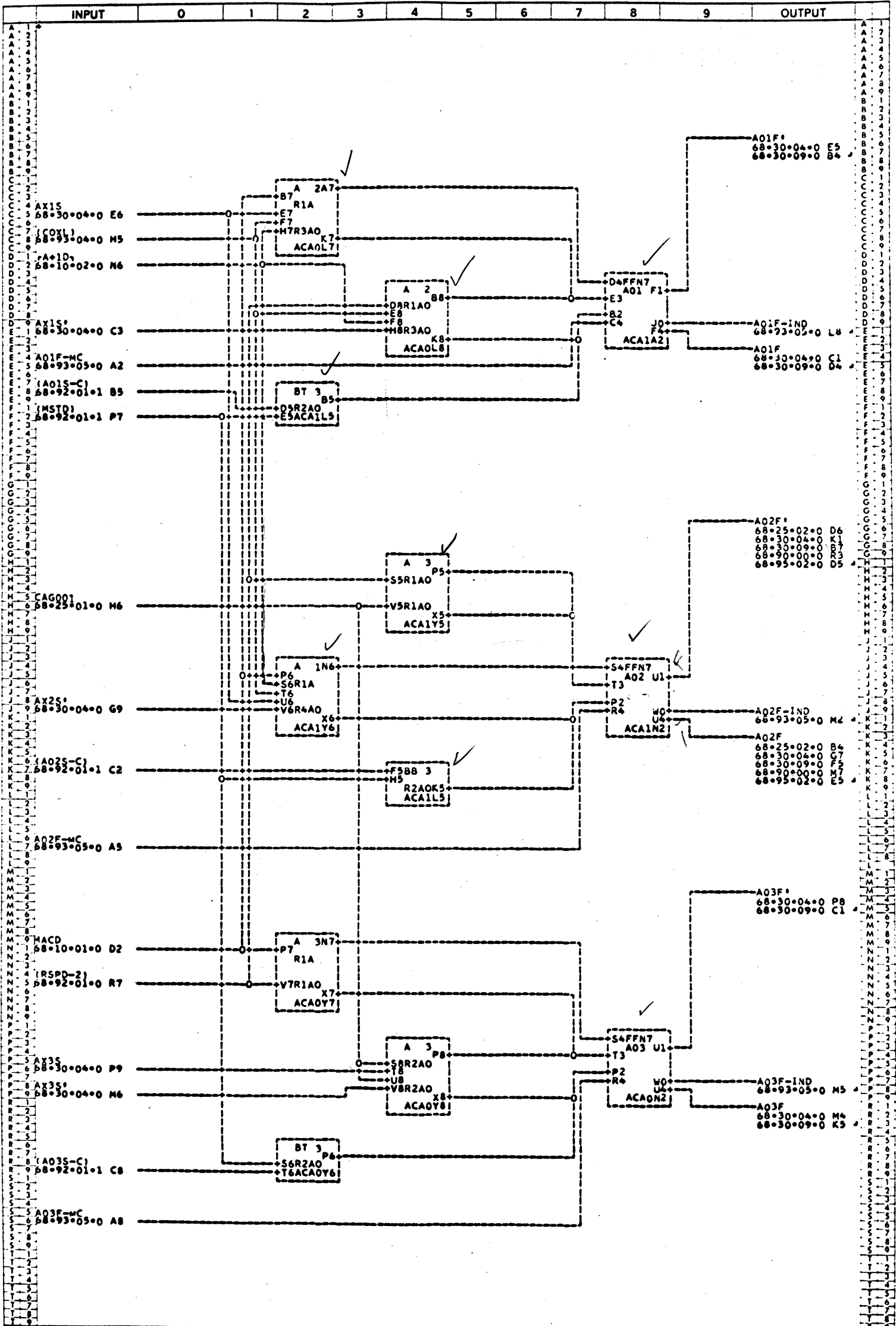
LOGIC SCHEMATIC



INPUT	0	1	2	3	4	5	6	7	8	9	OUTPUT
U 2 TITLE TEST PATTERN BIT SENSING SW'S SBBS THRU SBBS											
U 4 DRAWN BY TED Z											
U 6 UNIT NAME & USEC CORE MEMORY UNIT											
U 8 SYSTEM B5000											

ELECTRODATA **Burroughs Corporation** PASADENA
 M & E DIVISION CALIFORNIA
PROPERTY OF BURROUGHS CORPORATION NOT TO BE REPRODUCED, NOR USED FOR MANUFACTURING PURPOSES EXCEPT ON BURROUGHS ORDER OR PRIOR WRITTEN CONSENT

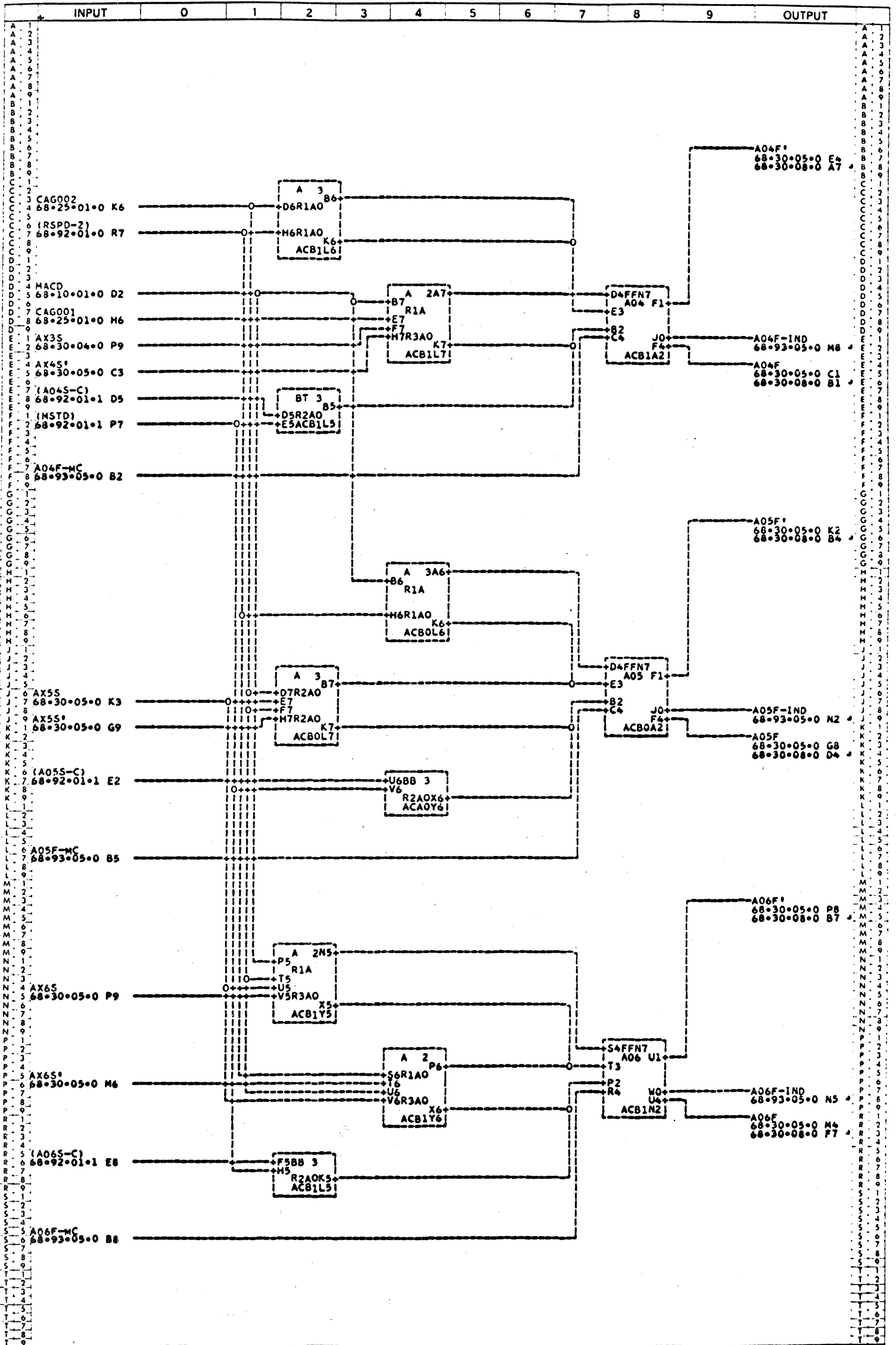
LOGIC SCHEMATIC



	INPUT	0	1	2	3	4	5	6	7	8	9	OUTPUT	
U 2	TITLE ADDRESS REGISTER A01F THRU A03F											M- 11167598AB	U 2
U 4	DRAWN BY R B HENNIG											CHECKED BY J E WOLLUM	U 4
U 6	UNIT NAME & USEC CORE MEMORY UNIT											UNIT NO. 11154119	U 6
U 8	SYSTEM 85000											PAGE NO. 68-30-0000	U 8

ELECTRODATA **Burroughs Corporation** PASADENA
 M & E DIVISION CALIFORNIA
 PROPERTY OF BURROUGHS CORPORATION NOT TO BE REPRODUCED, NOR USED FOR
 MANUFACTURING PURPOSES EXCEPT ON BURROUGHS ORDER OR PRIOR WRITTEN CONSENT

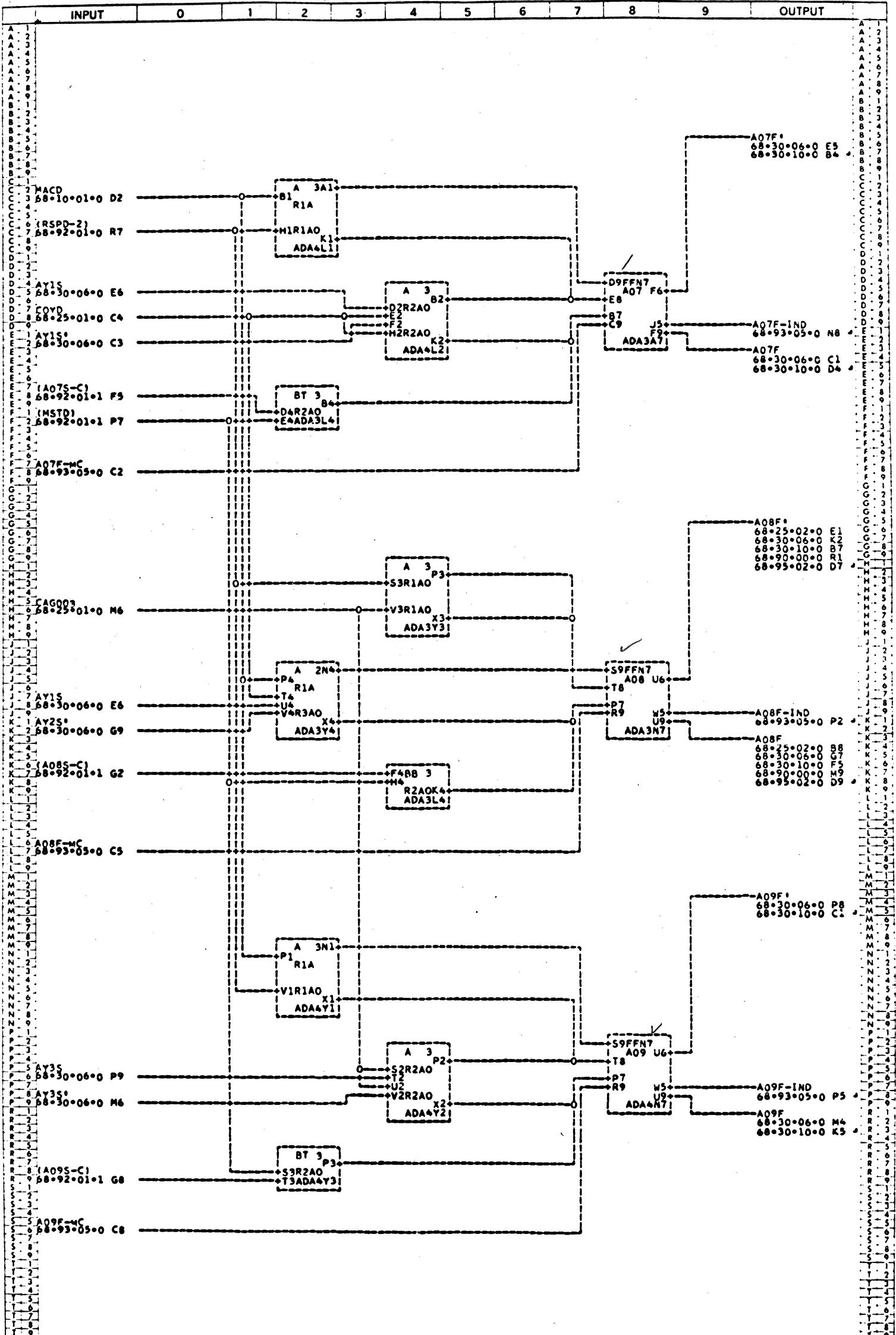
LOGIC SCHEMATIC



INPUT	0	1	2	3	4	5	6	7	8	9	OUTPUT
U 2	TITLE ADDRESS REGISTER A04F THRU A06F										U 2
U 4	DRAWN BY R B MENNIG										U 4
U 6	UNIT NAME & USEC CORE MEMORY UNIT										U 6
U 8	SYSTEM B5000										U 8

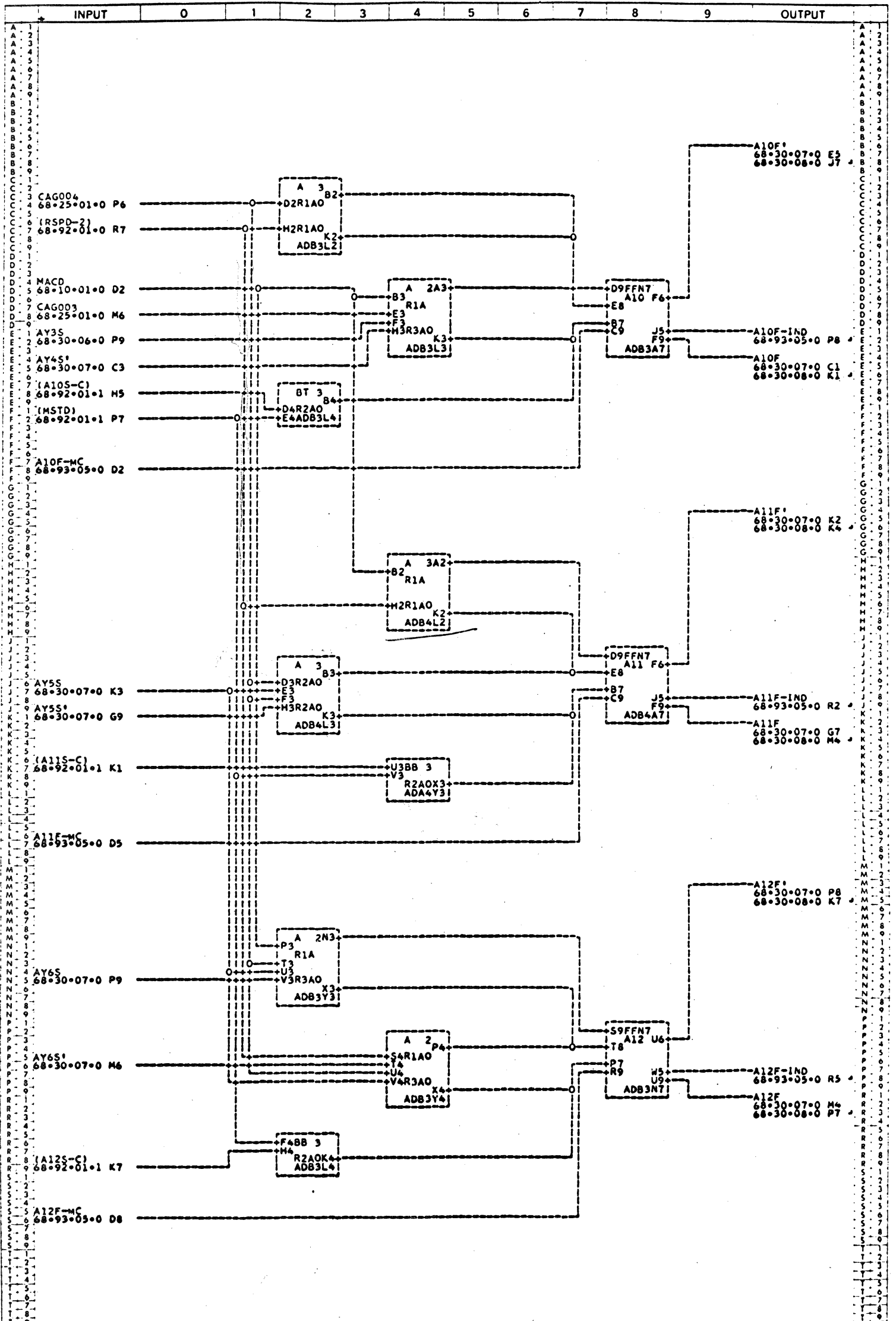
Burroughs Corporation
 ELECTRODATA M & E DIVISION PASADENA CALIFORNIA
 PROPERTY OF BURROUGHS CORPORATION NOT TO BE REPRODUCED, NOR USED FOR MANUFACTURING PURPOSES EXCEPT ON BURROUGHS ORDER OR PRIOR WRITTEN CONSENT

LOGIC SCHEMATIC



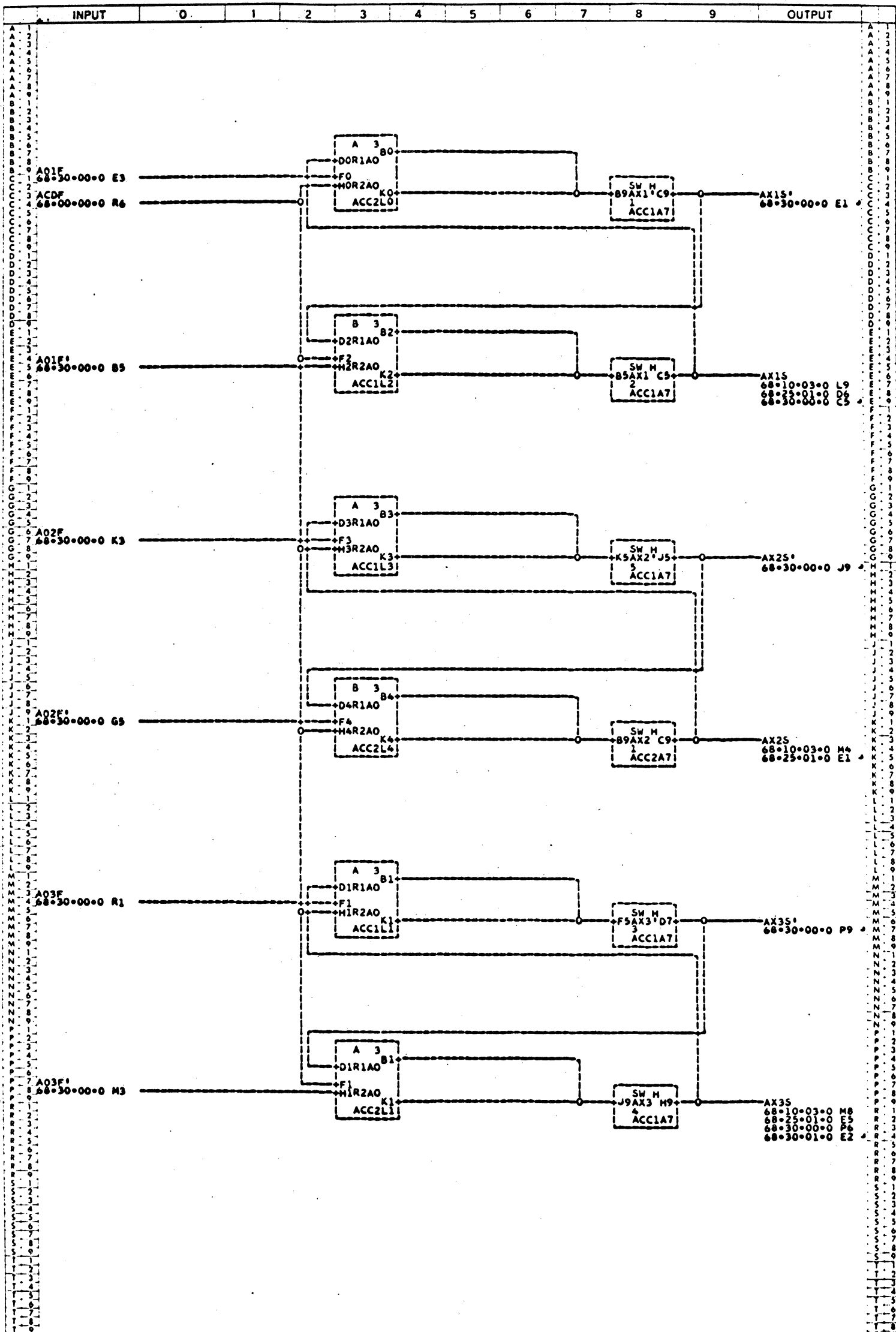
INPUT	0	1	2	3	4	5	6	7	8	9	OUTPUT
U 2	TITLE ADDRESS REGISTER A07F THRU A09F										U 2
U 4	DRAWN BY R B MENNIG										U 4
U 6	UNIT NAME & USEC CORE MEMORY UNIT										U 6
U 8	SYSTEM 85000										U 8
						M- 11167574AB		ELECTRODATA		Burroughs Corporation	
						CHECKED BY J E WOLLUM		M & E DIVISION		PASADENA CALIFORNIA	
						UNIT NO. 11194119		PROPERTY OF BURROUGHS CORPORATION NOT TO BE REPRODUCED NOR USED FOR MANUFACTURING PURPOSES EXCEPT ON BURROUGHS ORDERS OR PRIOR WRITTEN CONSENT		PASADENA CALIFORNIA	
						PAGE NO. 68-30-02-00					

LOGIC SCHEMATIC



INPUT	0	1	2	3	4	5	6	7	8	9	OUTPUT
U 2	TITLE ADDRESS REGISTER A10F THRU A12F										U 2
U 4	DRAWN BY R B HENNIG										U 4
U 6	UNIT NAME & USEC CORE MEMORY UNIT										U 6
U 8	SYSTEM B5000										U 8
					M- 11167582AB						
					CHECKED BY J E WOLLUM						
					UNIT NO. 11154119						
					PAGE NO. 68-30-03-07						
			ELECTRODATA				Burroughs Corporation		PASADENA CALIFORNIA		
PROPERTY OF BURROUGHS CORPORATION NOT TO BE REPRODUCED NOR USED FOR MANUFACTURING PURPOSES EXCEPT ON BURROUGHS ORDER OR PRIOR WRITTEN CONSENT											

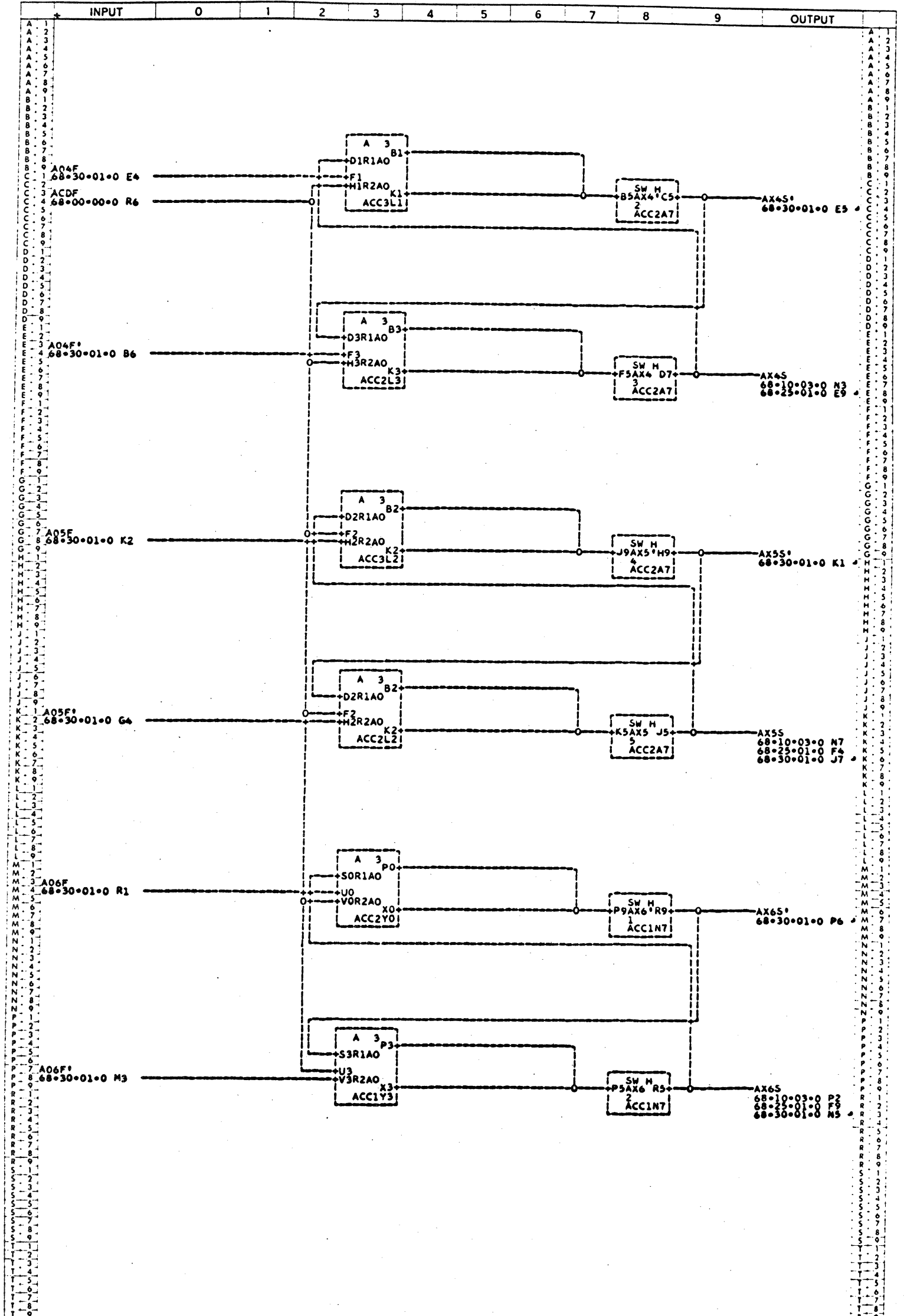
LOGIC SCHEMATIC



INPUT	0	1	2	3	4	5	6	7	8	9	OUTPUT
U 2 TITLE	A REGISTER COUNT CONTROL LOGICS (AX15 THRU AX35) M- 11167590AA										U 2
U 4 DRAWN BY	R B MENNIG										U 4
U 6 UNIT NAME & USEC	CORE MEMORY UNIT										U 6
U 8 SYSTEM	R5000										U 8
CHECKED BY					J E WOLLUM					UNIT NO. 11154119	
PAGE NO. 68-30-00-00											

Burroughs Corporation
 ELECTRODATA M & E DIVISION PASADENA CALIFORNIA
 PROPERTY OF BURROUGHS CORPORATION NOT TO BE REPRODUCED, NOR USED FOR MANUFACTURING PURPOSES EXCEPT ON BURROUGHS ORDER OR PRIOR WRITTEN CONSENT

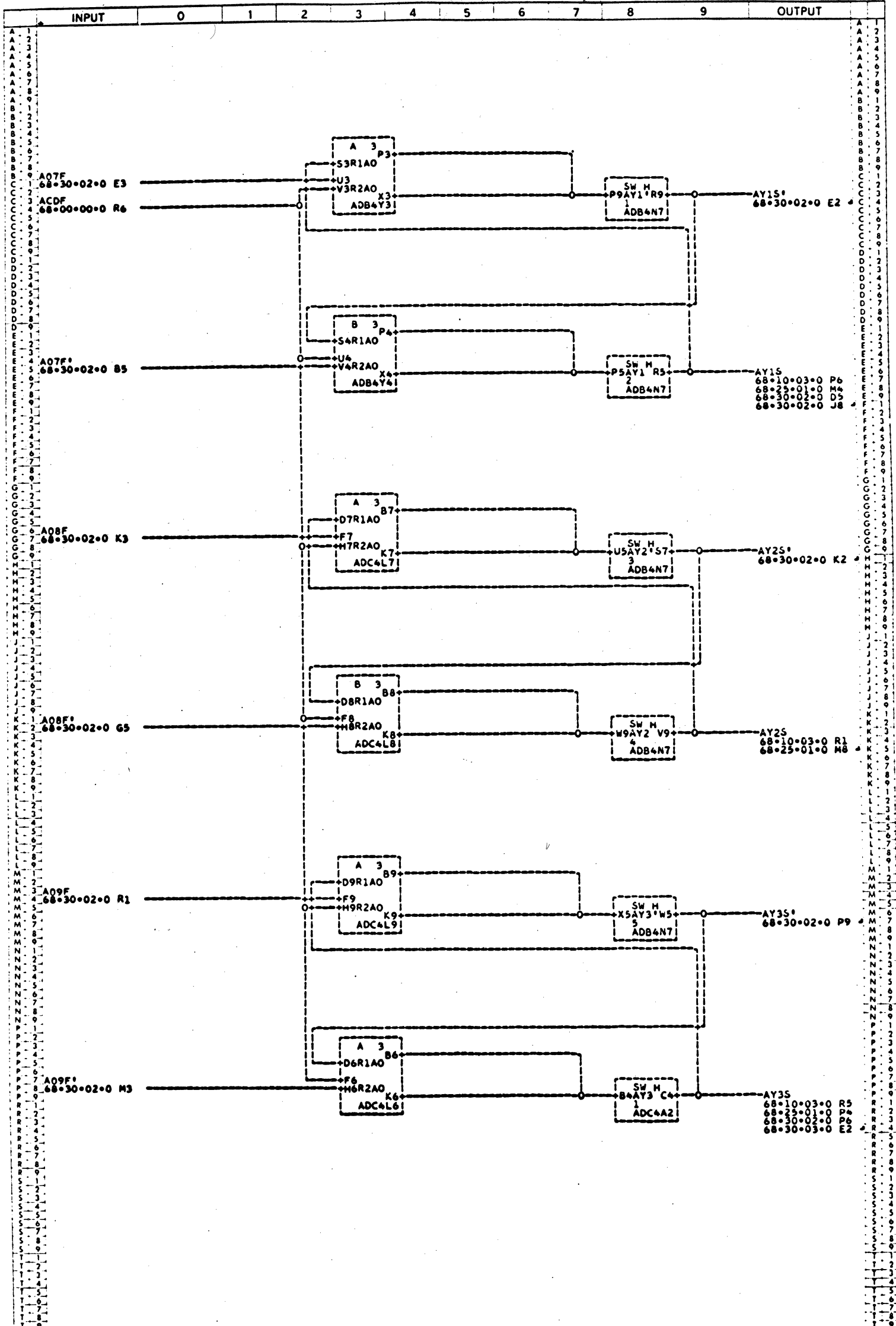
LOGIC SCHEMATIC



INPUT	0	1	2	3	4	5	6	7	8	9	OUTPUT
-------	---	---	---	---	---	---	---	---	---	---	--------

U 2	TITLE A REGISTER COUNT CONTROL LOGICS (AX4S THRU AX6S) M- 11167608A										U 2
U 4	DRAWN BY R B HENNIG CHECKED BY J E WOLLUM										U 4
U 6	UNIT NAME & USEC CORE MEMORY UNIT UNIT NO. 11154119										U 6
U 8	SYSTEM B5000 PAGE NO. 68-30-05-0										U 8

LOGIC SCHEMATIC



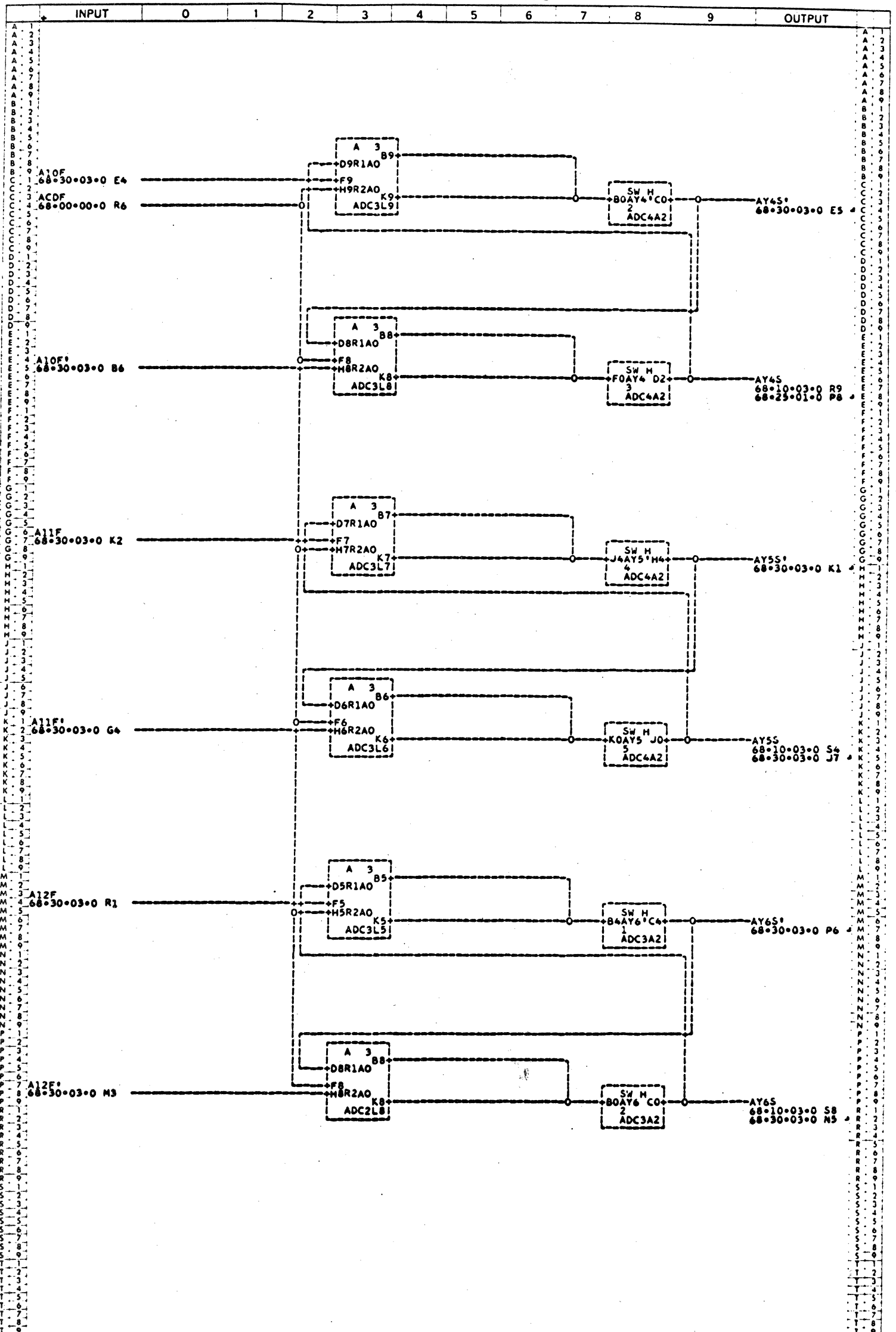
INPUT	0	1	2	3	4	5	6	7	8	9	OUTPUT
U 2 TITLE	A REGISTER COUNT CONTROL LOGICS (AY1S THRU AY3S) M- 11167616AA										U 2
U 4 DRAWN BY	R B HENNIG CHECKED BY J E WOLLUM										U 4
U 6 UNIT NAME & USEC CORE MEMORY UNIT	UNIT NO. 11154119										U 6
U 8 SYSTEM	85000 PAGE NO. 68-30-06-0										U 8

ELECTRODATA **Burroughs Corporation** PASADENA CALIFORNIA

M & E DIVISION 3

PROPERTY OF BURROUGHS CORPORATION. NOT TO BE REPRODUCED, NOR USED FOR MANUFACTURING PURPOSES EXCEPT ON BURROUGHS ORDER OR PRIOR WRITTEN CONSENT.

LOGIC SCHEMATIC



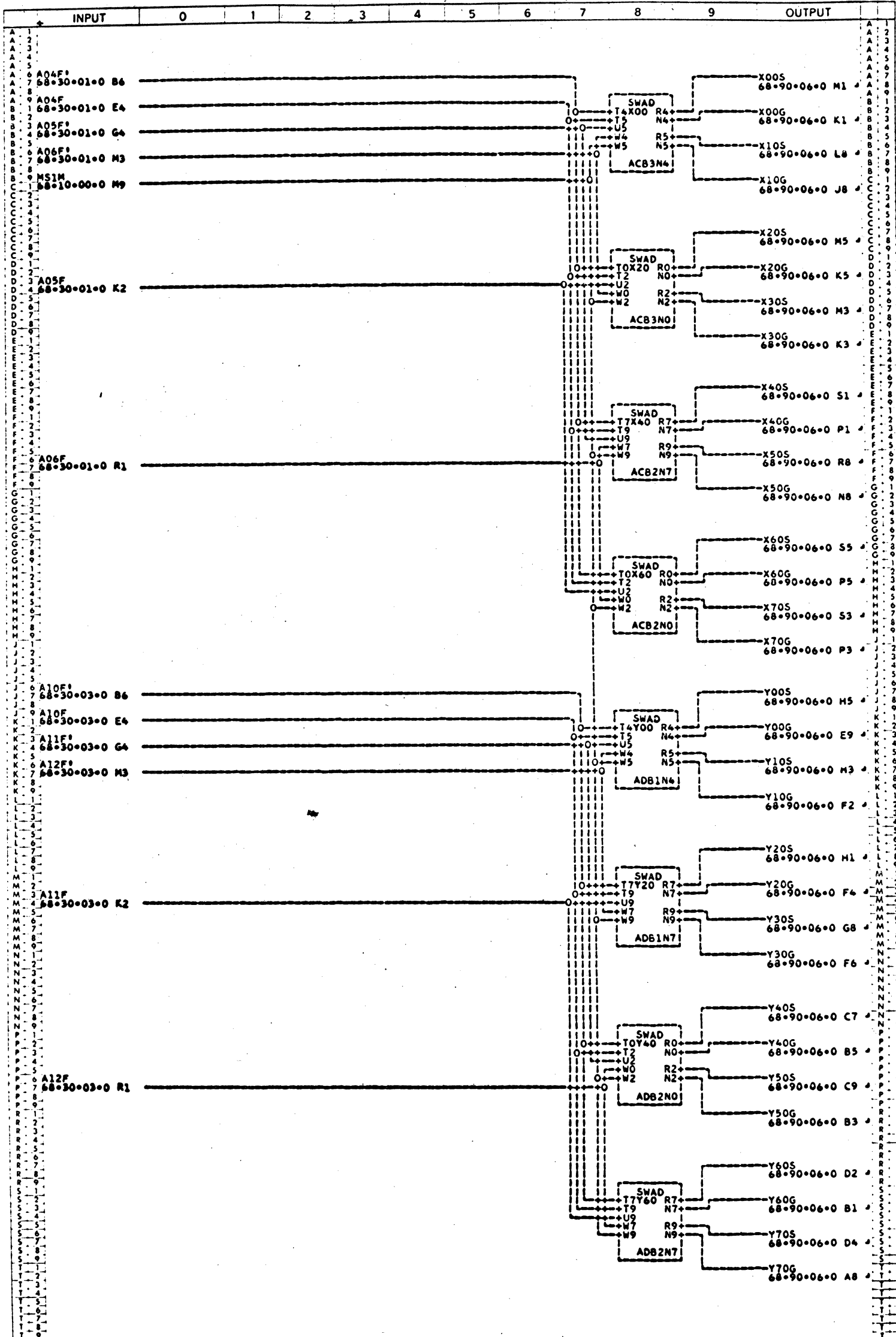
INPUT	0	1	2	3	4	5	6	7	8	9	OUTPUT
U 2	TITLE A REGISTER COUNT CONTROL LOGICS (AY4S THRU AY6S) H- 11167624AA										U 2
U 4	DRAWN BY R B HENNIG CHECKED BY J E WOLLUM										U 4
U 6	UNIT NAME & USEC CORE MEMORY UNIT UNIT NO. 11154119										U 6
U 8	SYSTEM B5000 PAGE NO. 68-30-07-0										U 8

ELECTRODATA **Burroughs Corporation** PASADENA CALIFORNIA

M & E DIVISION

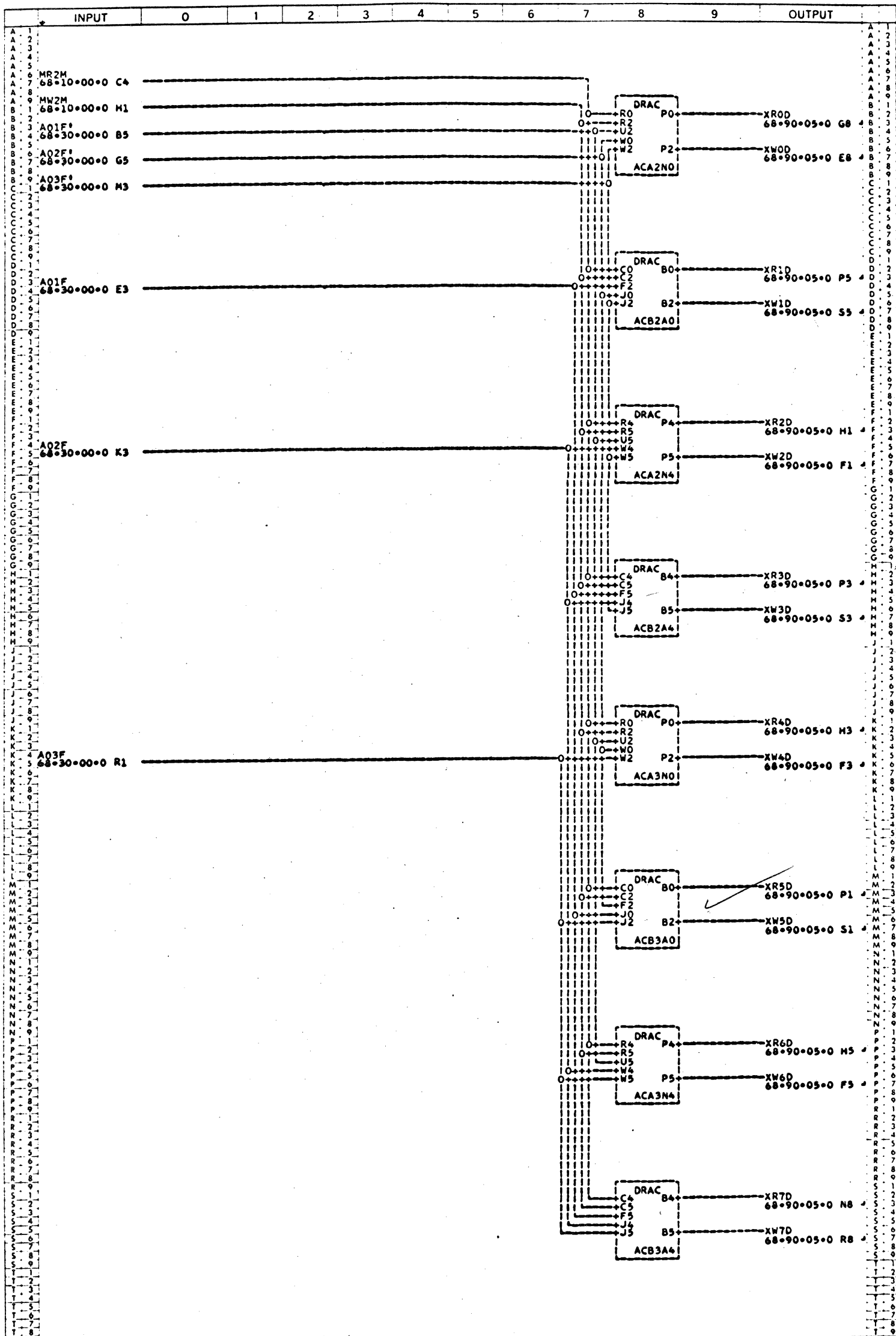
PROPERTY OF BURROUGHS CORPORATION NOT TO BE REPRODUCED, NOR USED FOR MANUFACTURING PURPOSES EXCEPT ON BURROUGHS ORDER OR PRIOR WRITTEN CONSENT

LOGIC SCHEMATIC



INPUT	0	1	2	3	4	5	6	7	8	9	OUTPUT
U 2 TITLE X-Y ADDRESS SWITCHES (X00S THRU Y70G) M- 11167632AA											U 2
U 4 DRAWN BY J S GIANOULIS CHECKED BY J E WOLLUM											U 4
U 6 UNIT NAME & USEC CORE MEMORY UNIT UNIT NO. 11154119											U 6
U 8 SYSTEM BS000 PAGE NO. 68-90-0000											U 8

LOGIC SCHEMATIC



INPUT	0	1	2	3	4	5	6	7	8	9	OUTPUT
U 2 TITLE											
U 4 DRAWN BY											
U 6 UNIT NAME & USEC CORE MEMORY UNIT											
U 8 SYSTEM B5000											

H- 11167640AA

CHECKED BY J E WOLLUM

UNIT NO. 11156119

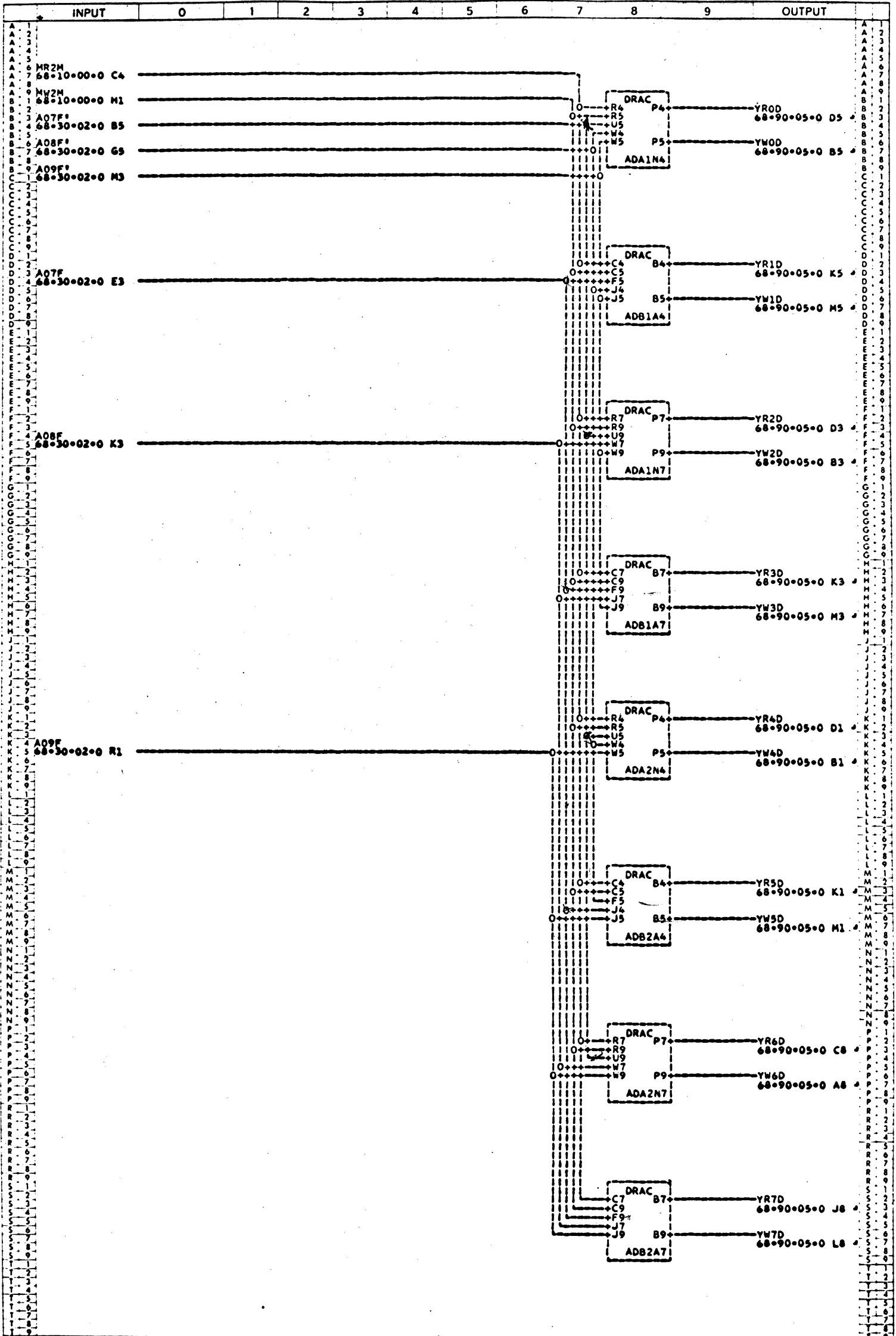
PAGE NO. 68-30-09-0

Burrhoughs Corporation

ELECTRODATA M&E DIVISION

PROPERTY OF BURROUGHS CORPORATION NOT TO BE REPRODUCED, NOR USED FOR MANUFACTURING PURPOSES EXCEPT ON BURROUGHS ORDER OR PRIOR WRITTEN CONSENT

LOGIC SCHEMATIC



INPUT	0	1	2	3	4	5	6	7	8	9	OUTPUT
U 2	TITLE Y READ-WRITE CURRENT DRIVERS (YR0D THRU YW7D) H- 11167657AA										U 2
U 4	DRAWN BY J S GIANOULIS CHECKED BY J E WOLLUM										U 4
U 6	UNIT NAME & USEC CORE MEMORY UNIT UNIT NO. 11154115										U 6
U 8	SYSTEM 85000 PAGE NO. 68-30-10-0										U 8

ELECTRODATA
M&E DIVISION

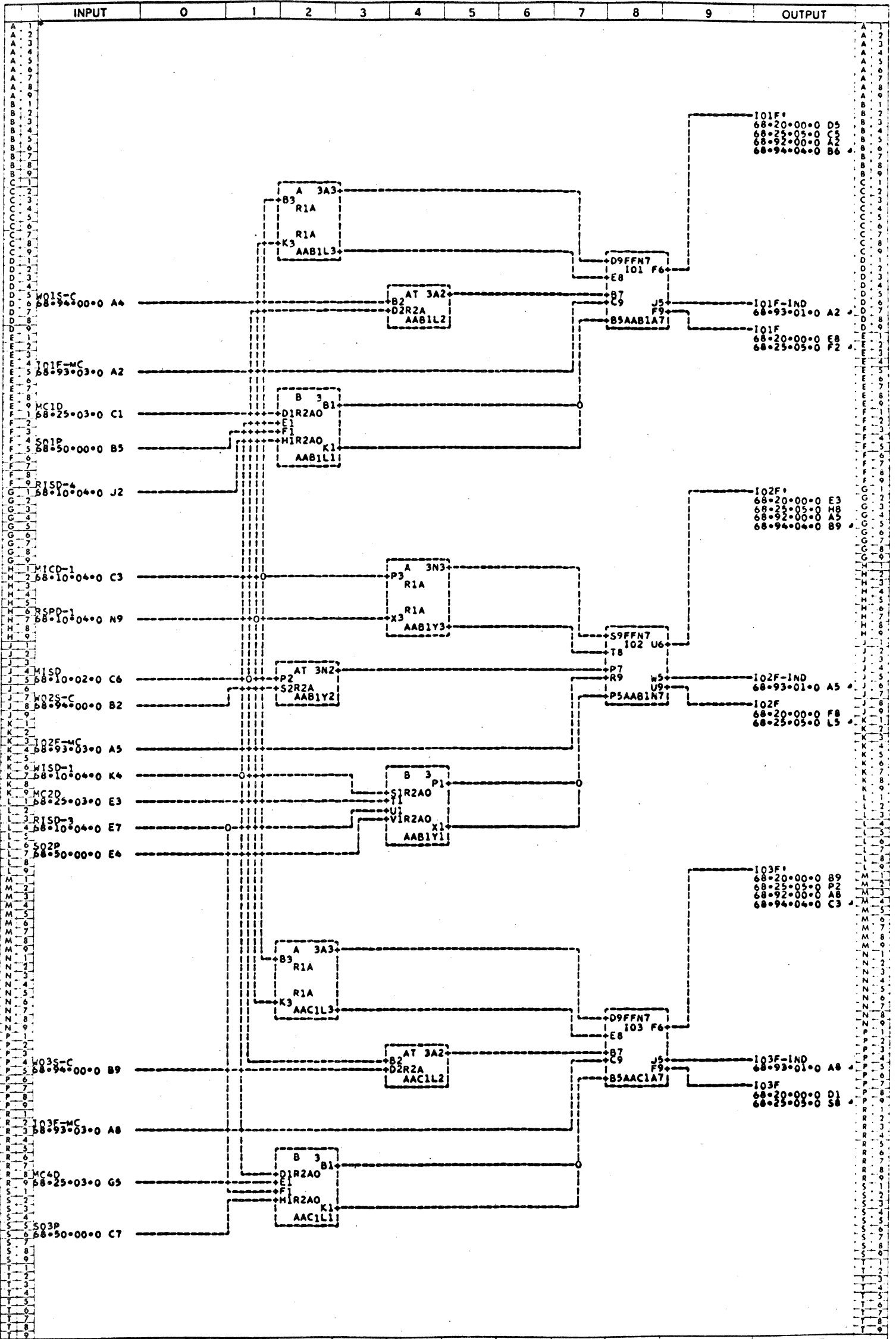
PROPERTY OF BURROUGHS CORPORATION NOT TO BE REPRODUCED, NOR USED FOR
MANUFACTURING PURPOSES EXCEPT ON BURROUGHS ORDER OR PRIOR WRITTEN CONSENT

Burroughs Corporation

3

PASADENA
CALIFORNIA

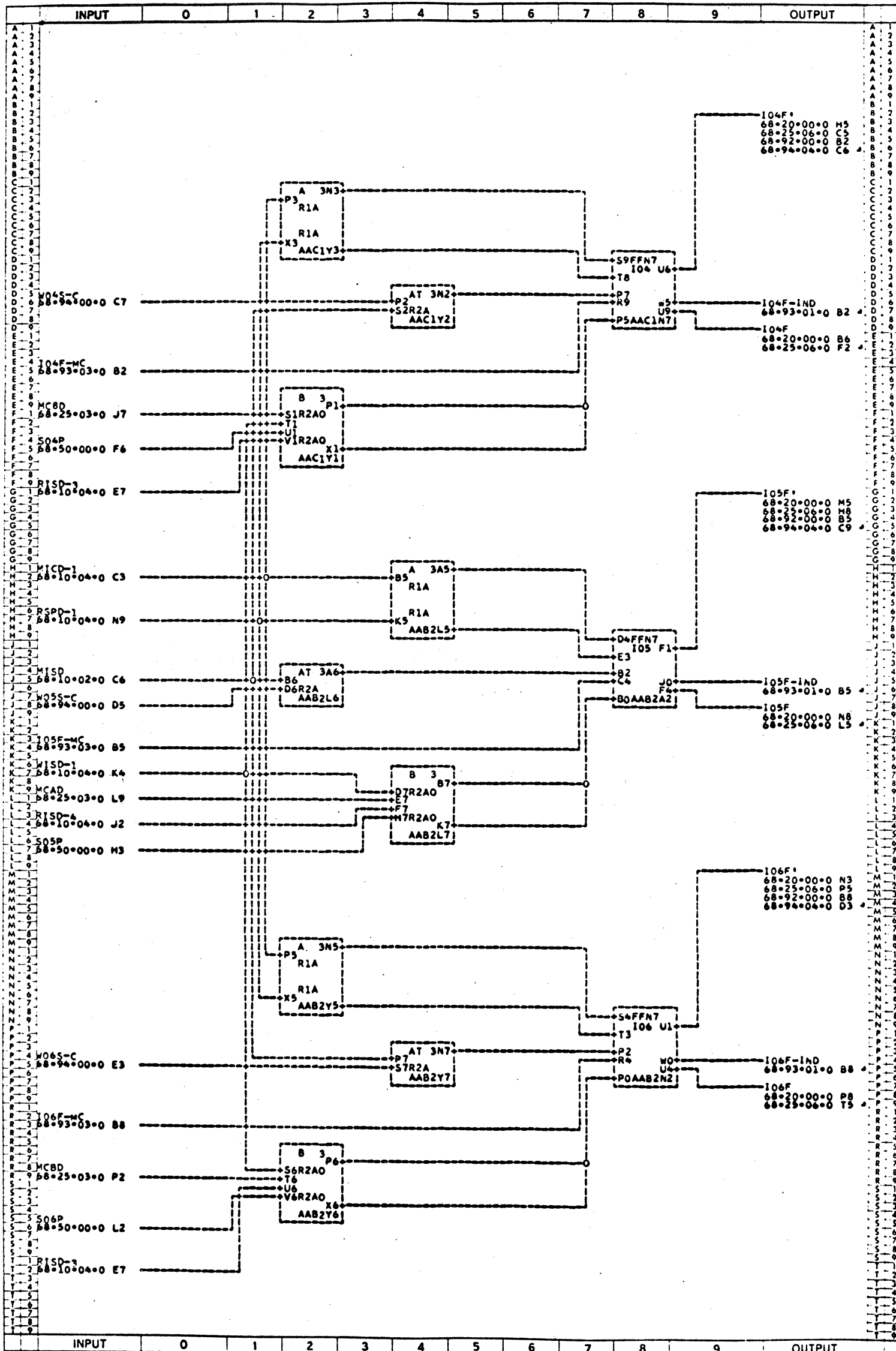
LOGIC SCHEMATIC



INPUT	0	1	2	3	4	5	6	7	8	9	OUTPUT
U 2	TITLE INFORMATION REGISTER I01FF THRU I03FF										M- 11167665AB
U 4	DRAWN BY R B MENNIG										CHECKED BY J E WOLLUM
U 6	UNIT NAME 4 USEC CORE MEMORY UNIT										UNIT NO. 11194119
U 8	SYSTEM 85000										PAGE NO. 88-60-00-0

Burroughs Corporation
 ELECTRODATA M&E DIVISION PASADENA CALIFORNIA
PROPERTY OF BURROUGHS CORPORATION NOT TO BE REPRODUCED, NOR USED FOR MANUFACTURING PURPOSES EXCEPT ON BURROUGHS ORDER OR PRIOR WRITTEN CONSENT

LOGIC SCHEMATIC



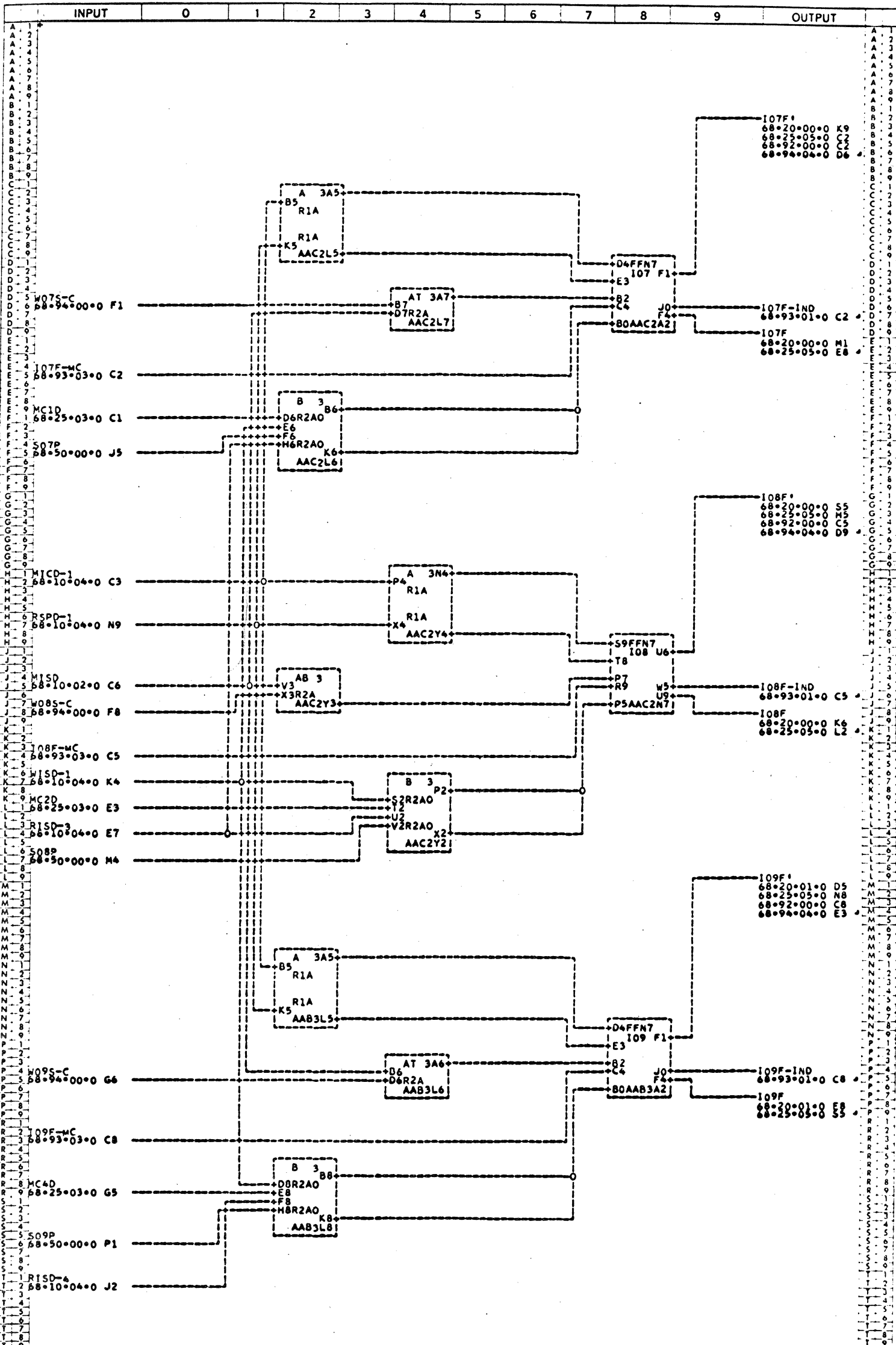
U 2	TITLE INFORMATION REGISTER 104FF THRU 106FF	H- 11167673AB
U 4	DRAWN BY R B HENNIG	CHECKED BY J E WOLLUM
U 6	UNIT NAME & USEC CORE MEMORY UNIT	UNIT NO. 11154119
U 8	SYSTEM B5000	PAGE NO. 482000110

ELECTRODATA	Burroughs Corporation	PASADENA CALIFORNIA
M & E DIVISION	3	
PROPERTY OF BURROUGHS CORPORATION NOT TO BE REPRODUCED, NOR USED FOR MANUFACTURING PURPOSES EXCEPT ON BURROUGHS ORDER OR PRIOR WRITTEN CONSENT.		

U 2
U 4
U 6
U 8

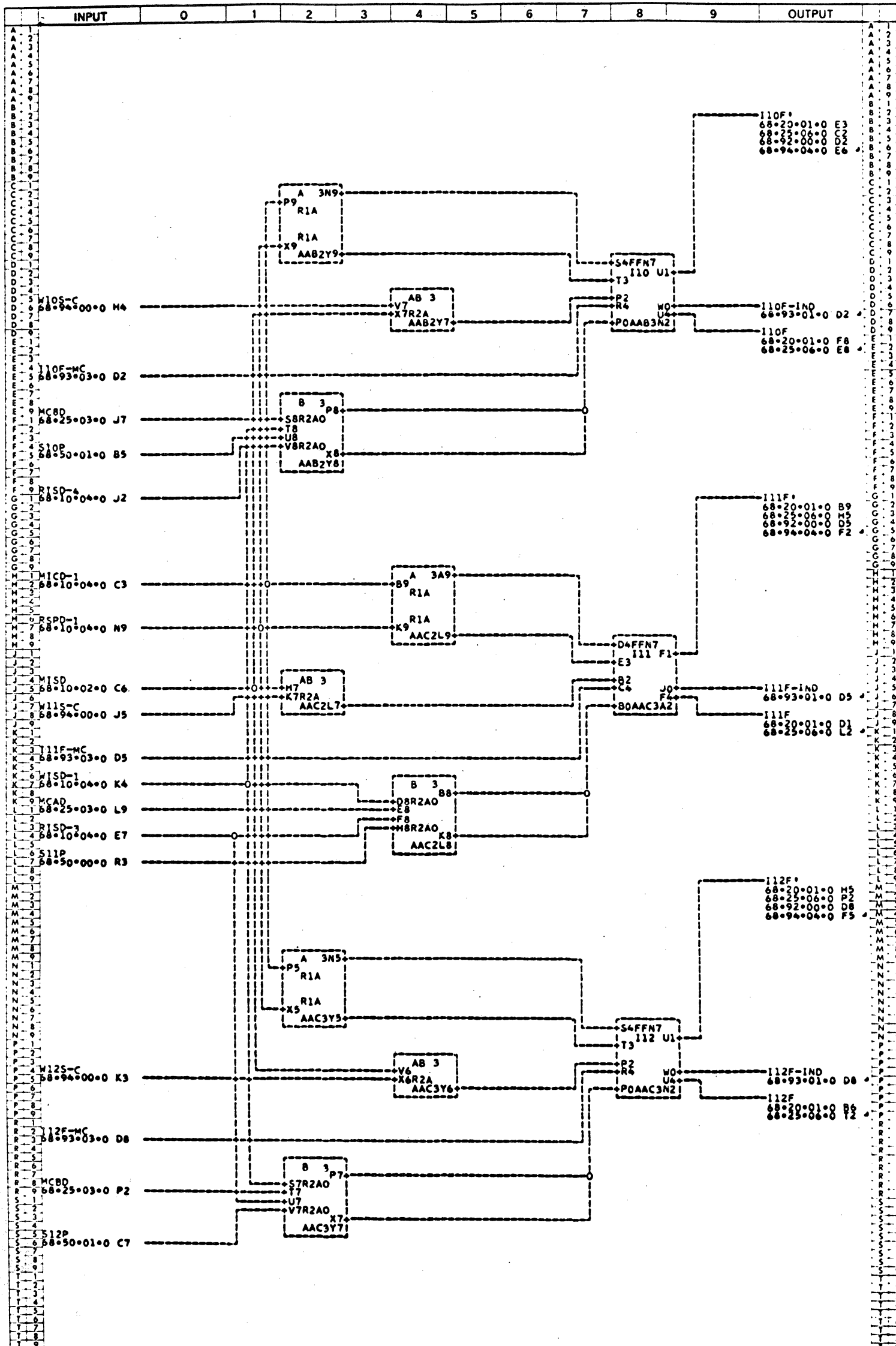
500 106F-1 REV 5-60

LOGIC SCHEMATIC



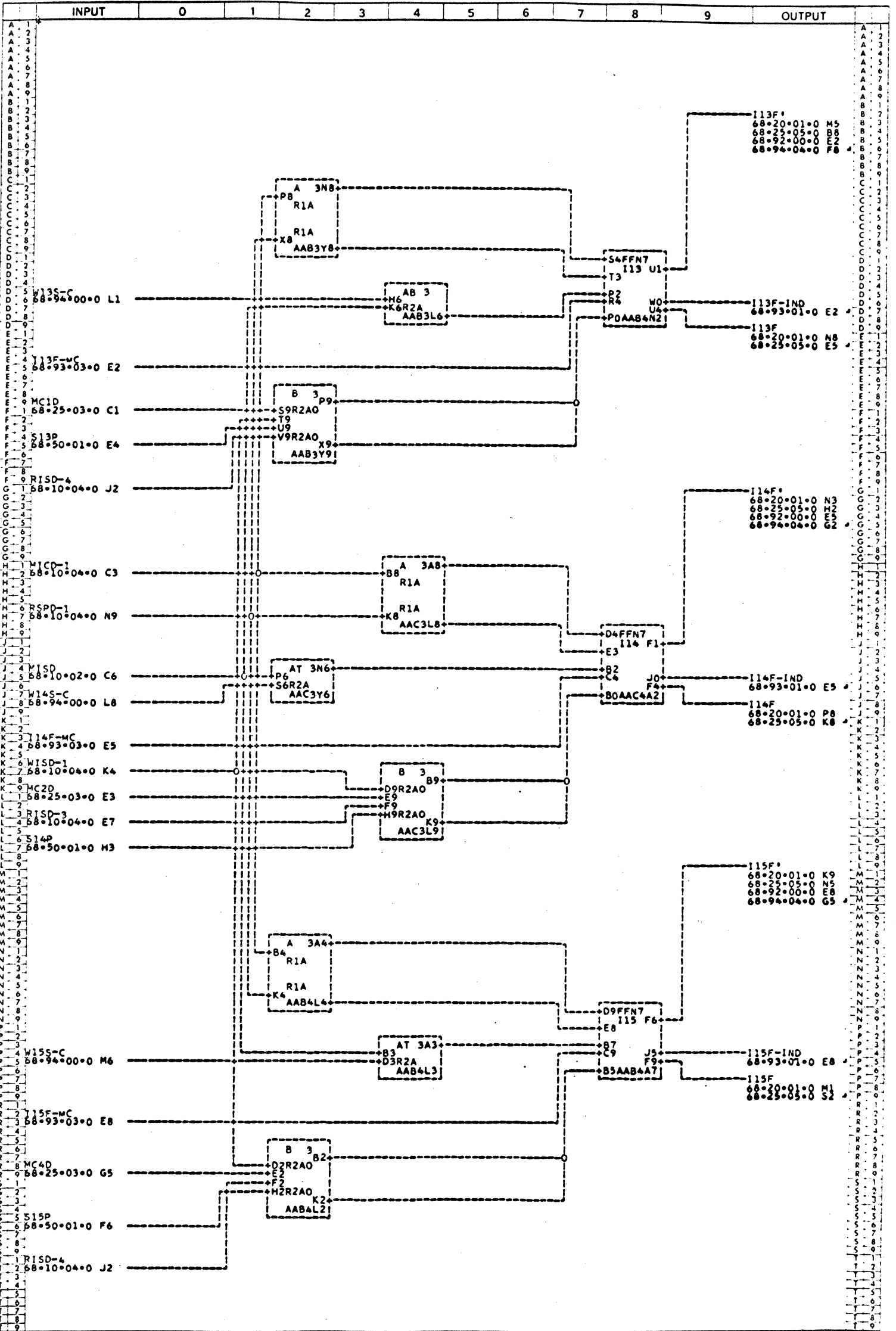
INPUT	0	1	2	3	4	5	6	7	8	9	OUTPUT			
U 2	TITLE INFORMATION REGISTER 107FF THRU 109FF										M- 11167681AB	U 2		
U 4	DRAWN BY R B HENNIG										CHECKED BY J E WOLLUM	ELECTRODATA	U 4	
U 6	UNIT NAME & USEC CORE MEMORY UNIT										UNIT NO. 11154119	Burroughs Corporation	PASADENA CALIFORNIA	U 6
U 8	SYSTEM B5000										PAGE NO. 68-94-02-00	PROPERTY OF BURROUGHS CORPORATION NOT TO BE REPRODUCED, NOR USED FOR MANUFACTURING PURPOSES EXCEPT ON BURROUGHS ORDER OR PRIOR WRITTEN CONSENT	U 8	

LOGIC SCHEMATIC



INPUT	0	1	2	3	4	5	6	7	8	9	OUTPUT
U 2	TITLE INFORMATION REGISTER 110FF THRU 112FF										U 2
U 4	DRAWN BY R HENNIG										U 4
U 6	UNIT NAME & USEC CORE MEMORY UNIT										U 6
U 8	SYSTEM B3000										U 8
					M- 11167699AB						
					CHECKED BY J E WOLLUM						
					UNIT NO. 11194119						
					PAGE NO. 68-40-03-0						
			ELECTRODATA				Burroughs Corporation		PASADENA CALIFORNIA		
PROPERTY OF BURROUGHS CORPORATION NOT TO BE REPRODUCED, NOR USED FOR MANUFACTURING PURPOSES EXCEPT ON BURROUGHS ORDER OR PRIOR WRITTEN CONSENT											

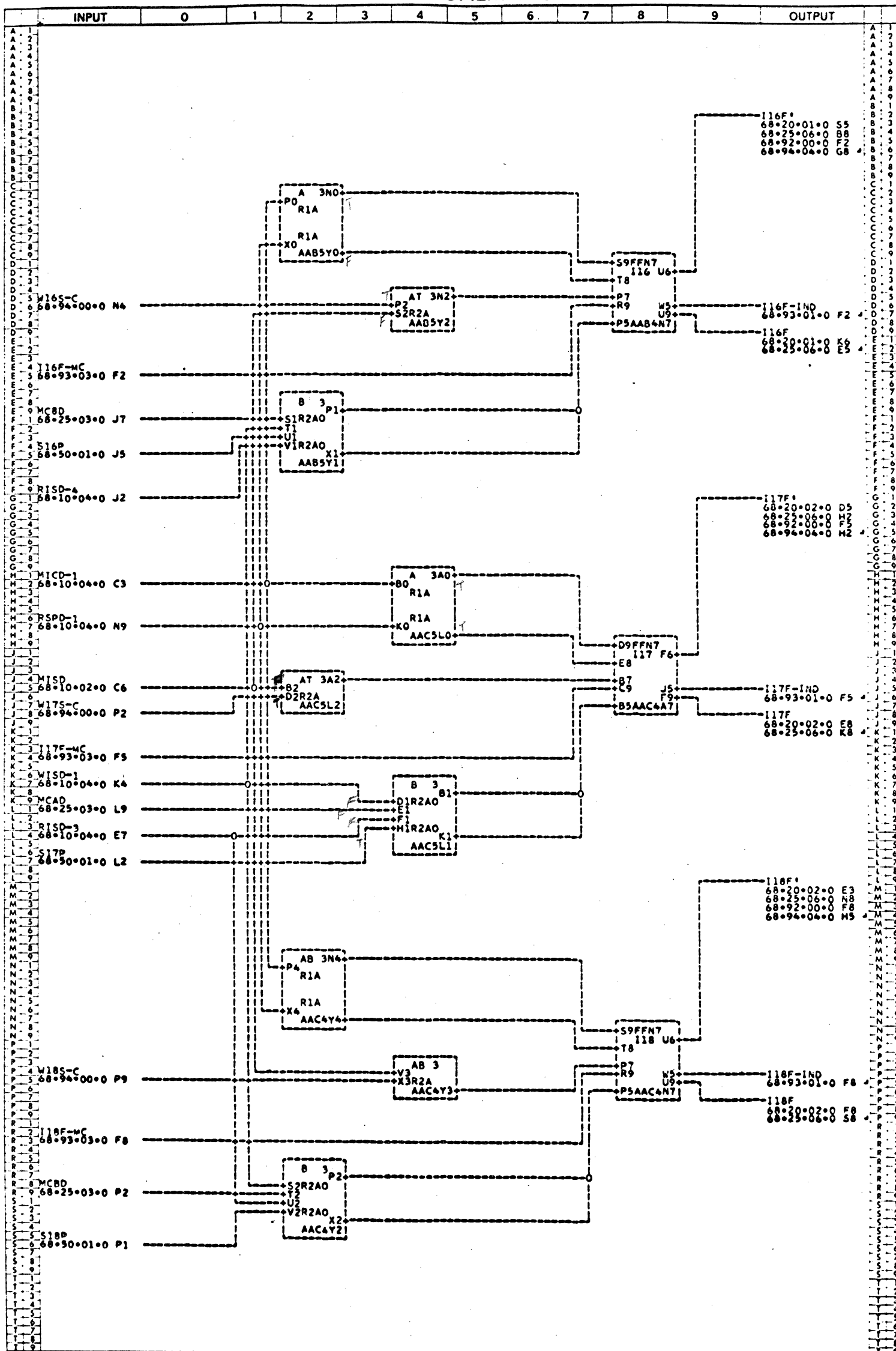
LOGIC SCHEMATIC



INPUT	0	1	2	3	4	5	6	7	8	9	OUTPUT
U 2	TITLE INFORMATION REGISTER I13FF THRU I15FF M- 11167707AB										U 2
U 4	DRAWN BYR B HENNIG CHECKED BY J E WOLLUM										U 4
U 6	UNIT NAME & USEC CORE MEMORY UNIT UNIT NO. 11154119										U 6
U 8	SYSTEM B5000 PAGE NO. 68-AD-004-0										U 8

Burroughs Corporation
 ELECTRODATA M&E DIVISION PASADENA CALIFORNIA
 PROPERTY OF BURROUGHS CORPORATION NOT TO BE REPRODUCED, NOR USED FOR MANUFACTURING PURPOSES EXCEPT ON BURROUGHS ORDER OR PRIOR WRITTEN CONSENT

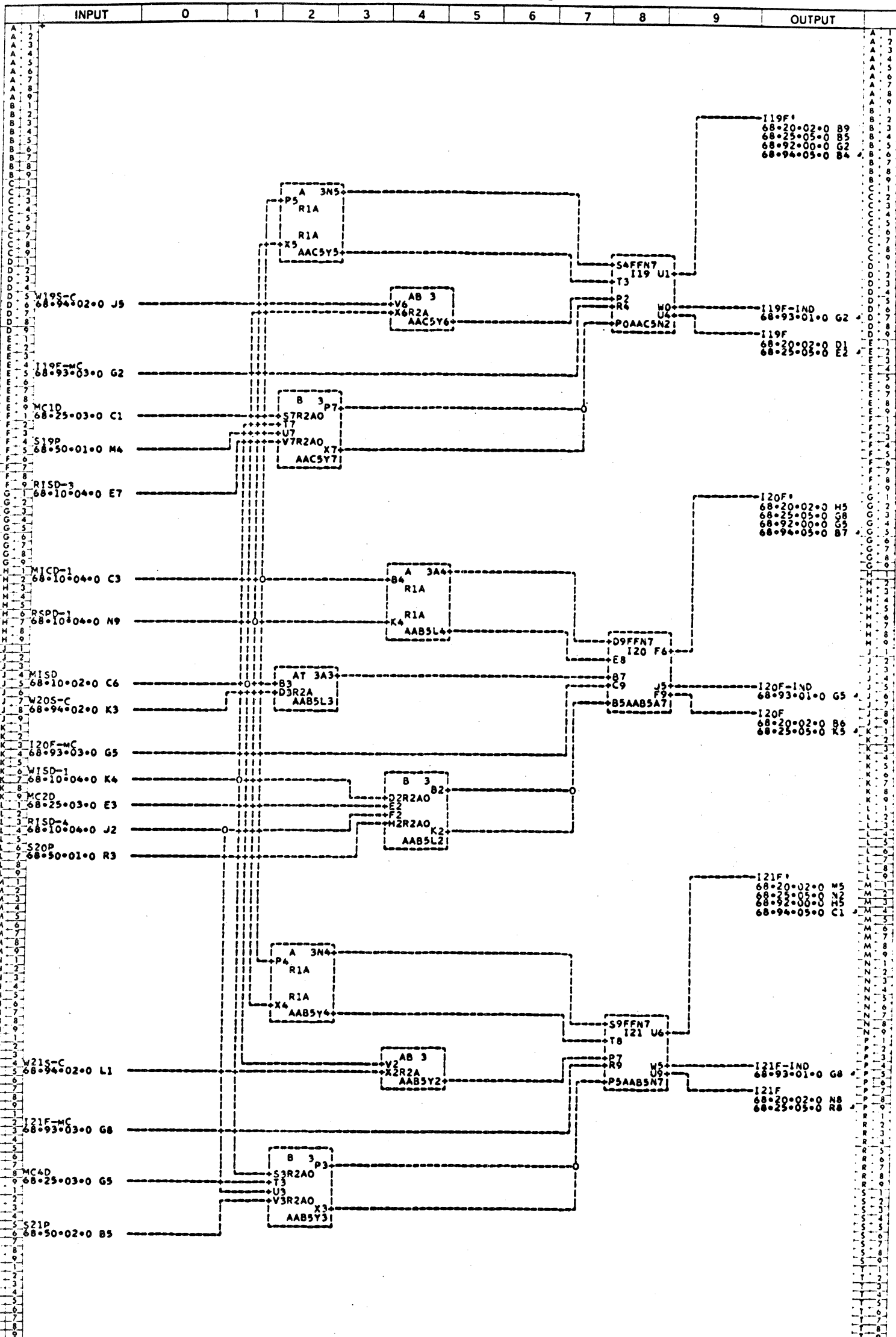
LOGIC SCHEMATIC



	INPUT	0	1	2	3	4	5	6	7	8	9	OUTPUT	
U 2	TITLE INFORMATION REGISTER 116FF THRU 119FF											U 2	
U 4	DRAWN BY R B HENNIG				CHECKED BY J E WOLLUM				M- 11167719AB				U 4
U 6	UNIT NAME & USEC CORE MEMORY UNIT						UNIT NO. 11194119						U 6
U 8	SYSTEM B3000											U 8	
PAGE NO. 68-60-05-0													

Burroughs Corporation
 ELECTRODATA M & E DIVISION PASADENA CALIFORNIA
 PROPERTY OF BURROUGHS CORPORATION NOT TO BE REPRODUCED, NOR USED FOR MANUFACTURING PURPOSES EXCEPT ON BURROUGHS ORDER OR PRIOR WRITTEN CONSENT

LOGIC SCHEMATIC

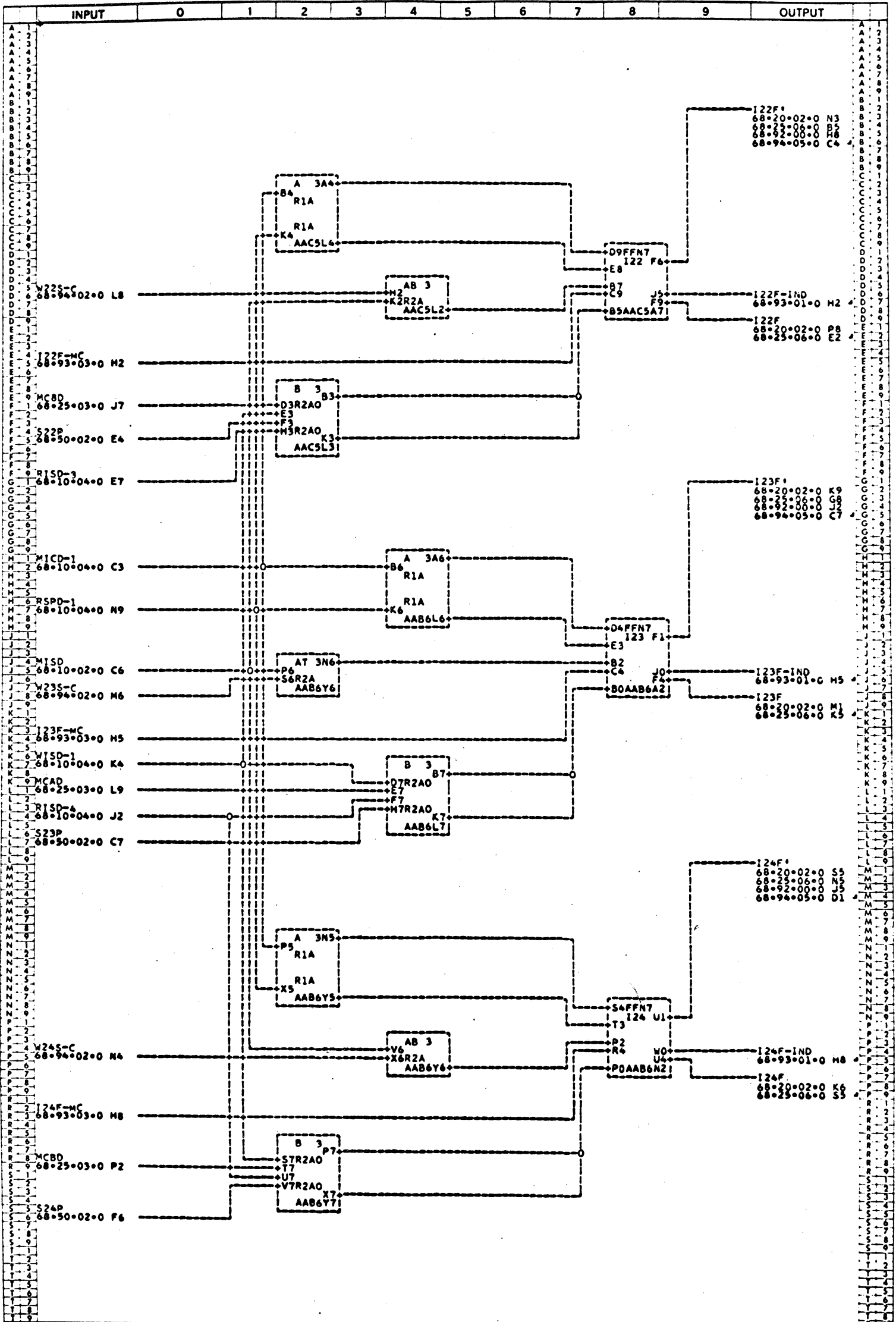


INPUT	0	1	2	3	4	5	6	7	8	9	OUTPUT	
U 2	TITLE INFORMATION REGISTER 119FF THRU 121FF										M- 11167723AB	U 2
U 4	DRAWN BY R B MENNIG										CHECKED BY J E WOLLUM	U 4
U 6	UNIT NAME & USEC CORE MEMORY UNIT										UNIT NO. 11154119	U 6
U 8	SYSTEM B5000										PAGE NO. 68-40-06-0	U 8

ELECTRODATA **Burroughs Corporation** PASADENA CALIFORNIA
 M & E DIVISION

PROPERTY OF BURROUGHS CORPORATION NOT TO BE REPRODUCED NOR USED FOR MANUFACTURING PURPOSES EXCEPT ON BURROUGHS ORDER OR PRIOR WRITTEN CONSENT

LOGIC SCHEMATIC

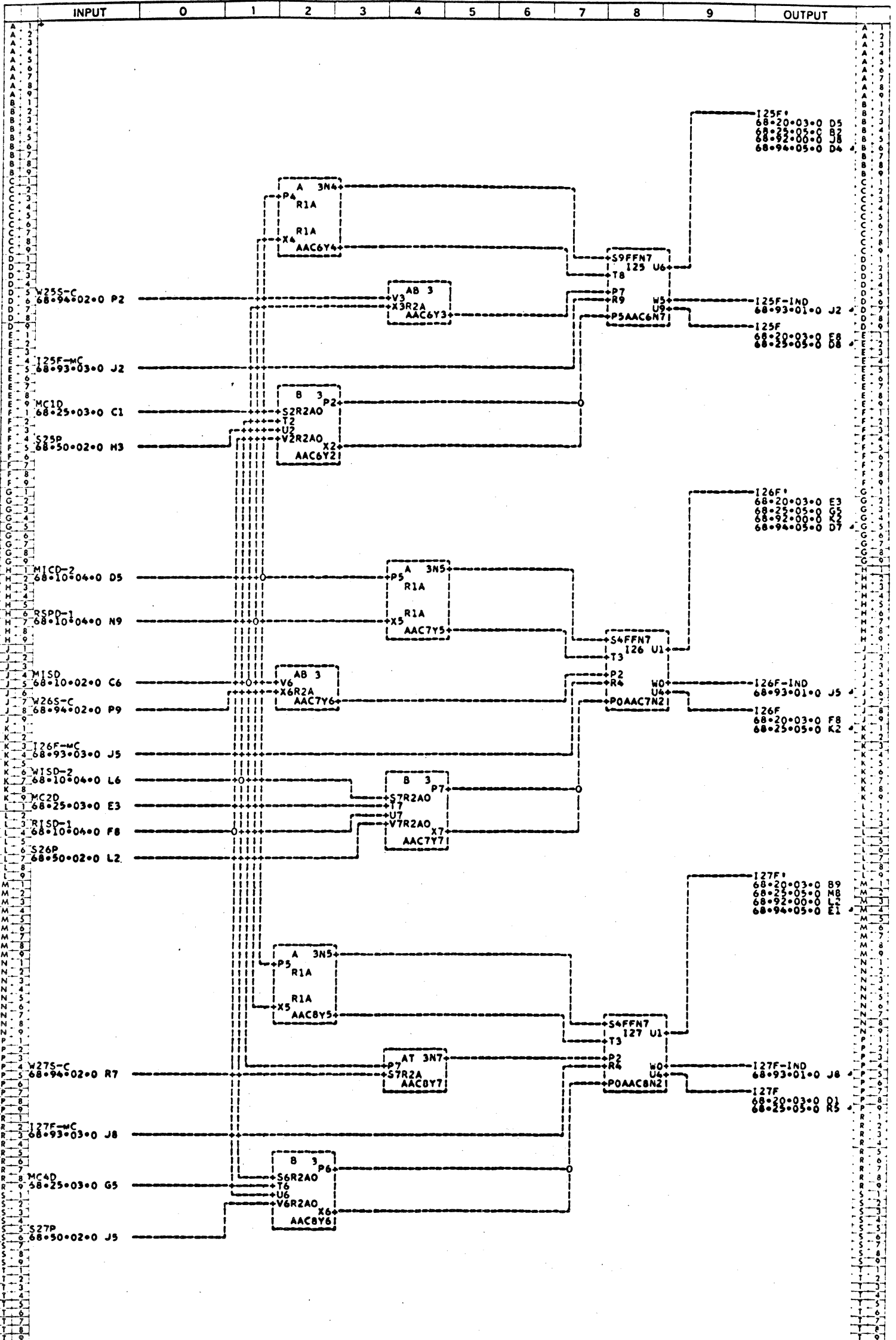


U 2	TITLE INFORMATION REGISTER 122FF THRU 124FF	M- 11167731A	
U 4	DRAWN BY R B HENNIG	CHECKED BY J E WOLLUM	
U 6	UNIT NAME & USEC CORE MEMORY UNIT	UNIT NO. 11194119	
U 8	SYSTEM 85000	PAGE NO. 68-94-07-0	

ELECTRODATA M & E DIVISION	Burroughs Corporation PASADENA CALIFORNIA
PROPERTY OF BURROUGHS CORPORATION NOT TO BE REPRODUCED, NOR USED FOR MANUFACTURING PURPOSES EXCEPT ON BURROUGHS ORDER OR PRIOR WRITTEN CONSENT.	

68-1007-1 REV 3-68

LOGIC SCHEMATIC



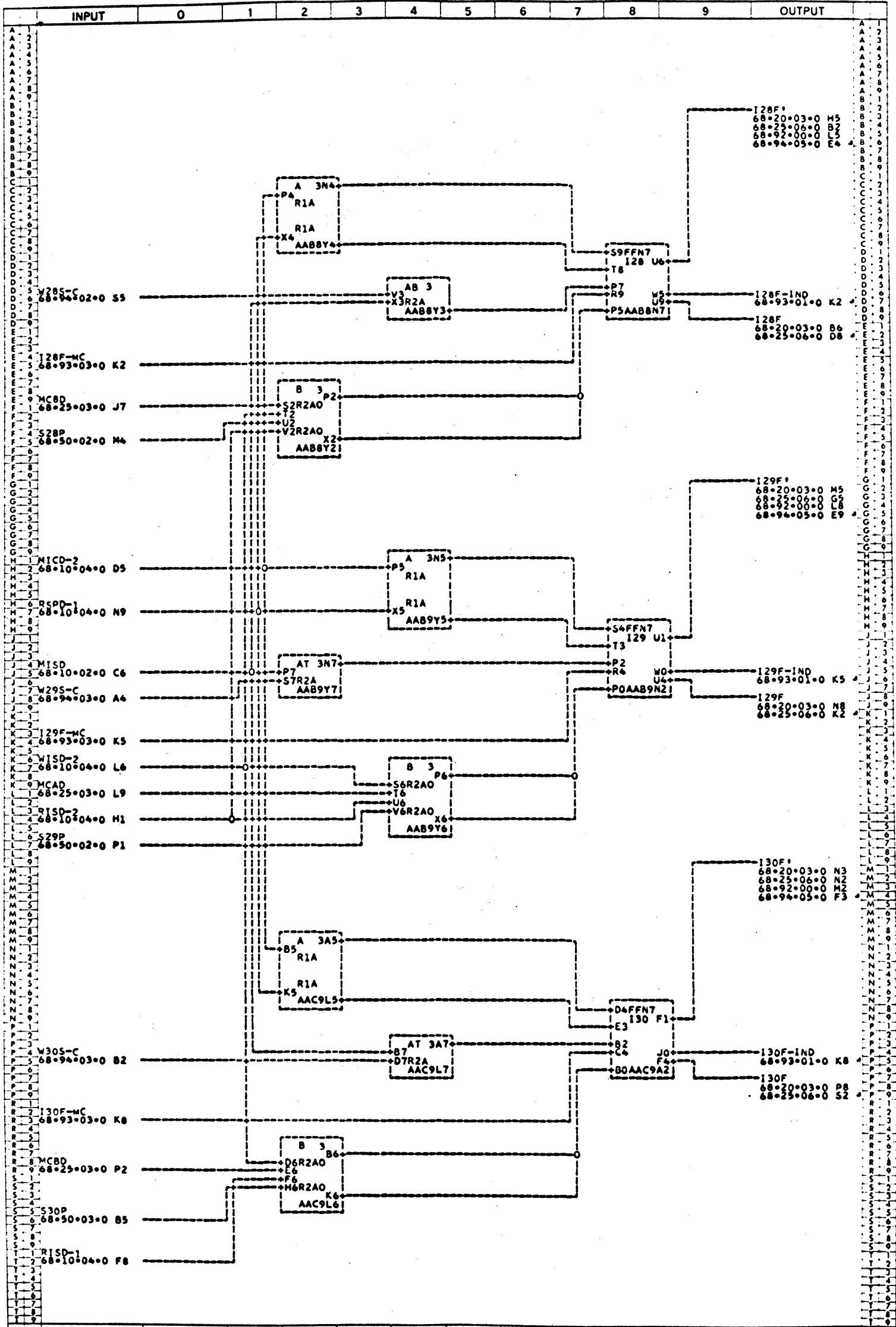
INPUT	0	1	2	3	4	5	6	7	8	9	OUTPUT	
U 2	TITLE INFORMATION REGISTER 125FF THRU 127FF										M- 11167749AE	U 2
U 4	DRAWN BY R B MENNIG										CHECKED BY J E WOLLUM	U 4
U 6	UNIT NAME & USEC CORE MEMORY UNIT										UNIT NO. 11154119	U 6
U 8	SYSTEM B5000										PAGE NO. 68-40-08-0	U 8

Burroughs Corporation

ELECTRODATA M & E DIVISION PASADENA CALIFORNIA

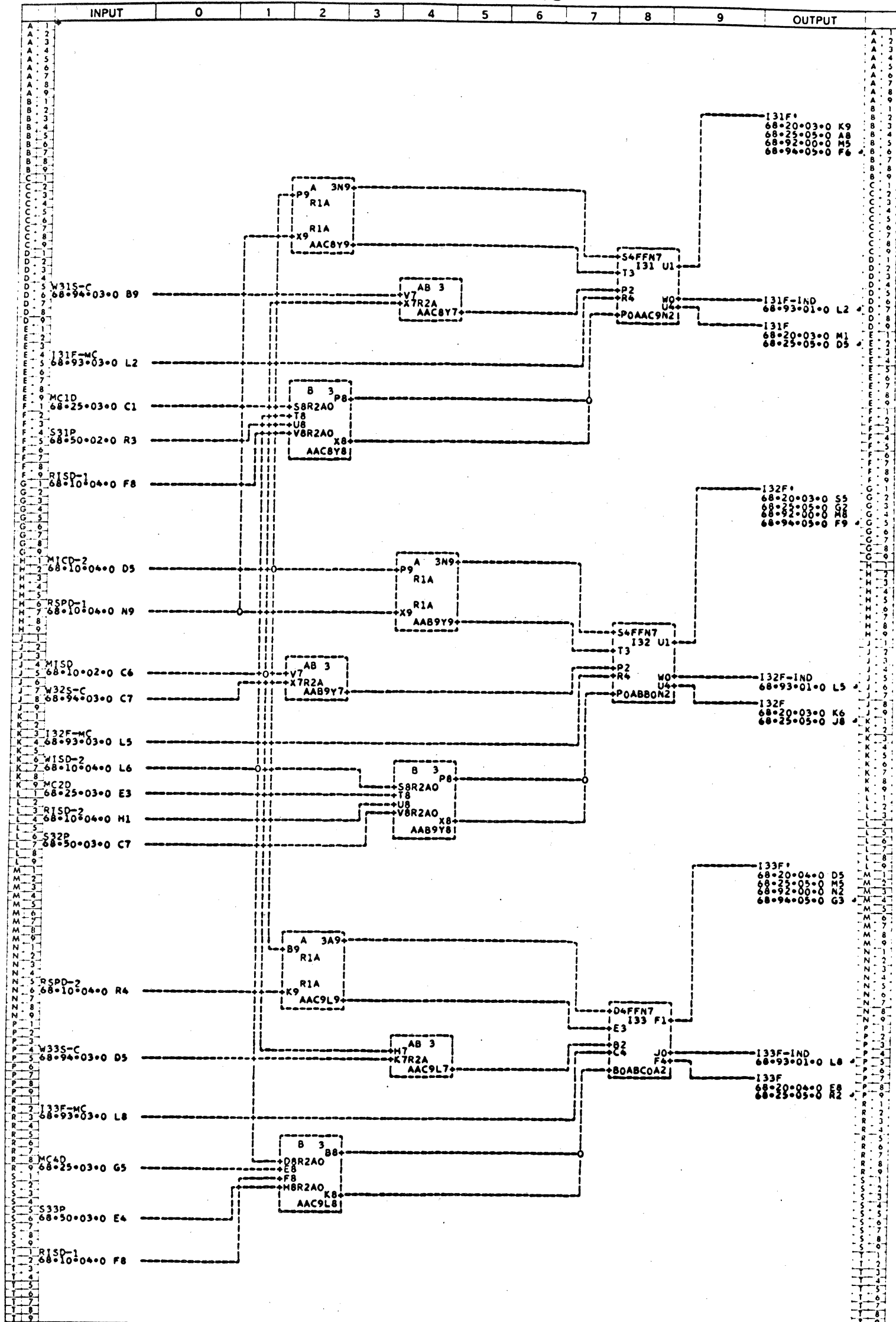
PROPERTY OF BURROUGHS CORPORATION NOT TO BE REPRODUCED, NOR USED FOR MANUFACTURING PURPOSES EXCEPT ON BURROUGHS ORDER OR PRIOR WRITTEN CONSENT

LOGIC SCHEMATIC



INPUT	0	1	2	3	4	5	6	7	8	9	OUTPUT
U 2	TITLE INFORMATION REGISTER 128FF THRU 130FF										U 2
U 4	DRAWN BY R B HENNIG CHECKED BY J E WOLLUM										U 4
U 6	UNIT NAME & USEC CORE MEMORY UNIT										U 6
U 8	SYSTEM BS000										U 8

LOGIC SCHEMATIC

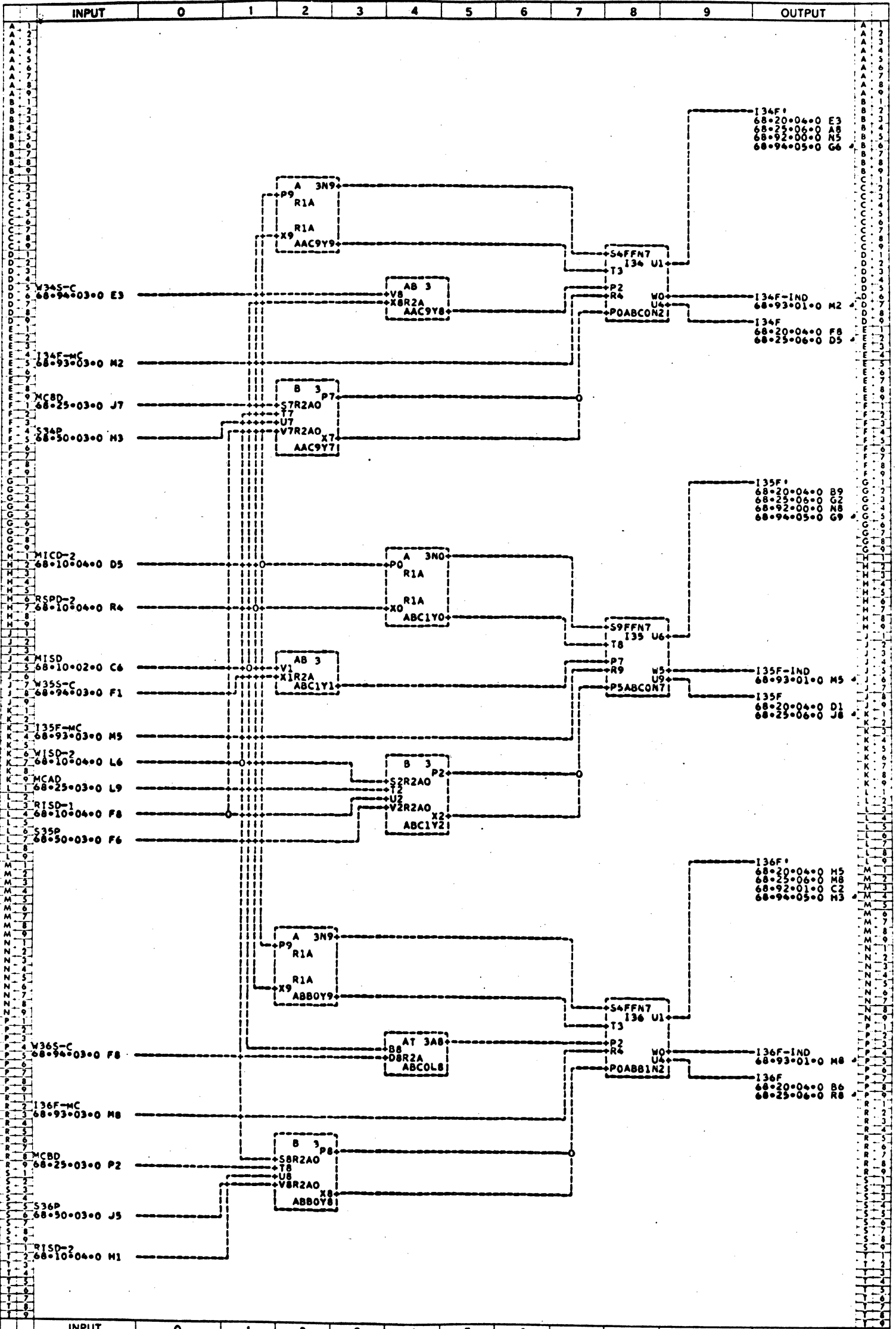


INPUT	0	1	2	3	4	5	6	7	8	9	OUTPUT
U 2	TITLE INFORMATION REGISTER 131FF THRU 133FF										U 2
U 4	DRAWN BY R B HENNIG										U 4
U 6	UNIT NAME & USEC CORE MEMORY UNIT										U 6
U 8	SYSTEM B5000										U 8

ELECTRODATA **Burroughs Corporation** PASADENA CALIFORNIA
 M & E DIVISION

PROPERTY OF BURROUGHS CORPORATION NOT TO BE REPRODUCED, NOR USED FOR MANUFACTURING PURPOSES EXCEPT ON BURROUGHS ORDER OR PRIOR WRITTEN CONSENT

LOGIC SCHEMATIC



INPUT	0	1	2	3	4	5	6	7	8	9	OUTPUT
U 2	TITLE INFORMATION REGISTER 134FF THRU 136FF										M- 11167772AB
U 4	DRAWN BY R B HENNIG										CHECKED BY J E WOLLUM
U 6	UNIT NAME & USEC CORE MEMORY UNIT										UNIT NO. 11194119
U 8	SYSTEM B3000										PAGE NO. 68060110

ELECTRODATA
M & E DIVISION

PROPERTY OF BURROUGHS CORPORATION NOT TO BE REPRODUCED, NOR USED FOR
MANUFACTURING PURPOSES EXCEPT ON BURROUGHS ORDER OR PRIOR WRITTEN CONSENT

Burroughs Corporation

PASADENA
CALIFORNIA

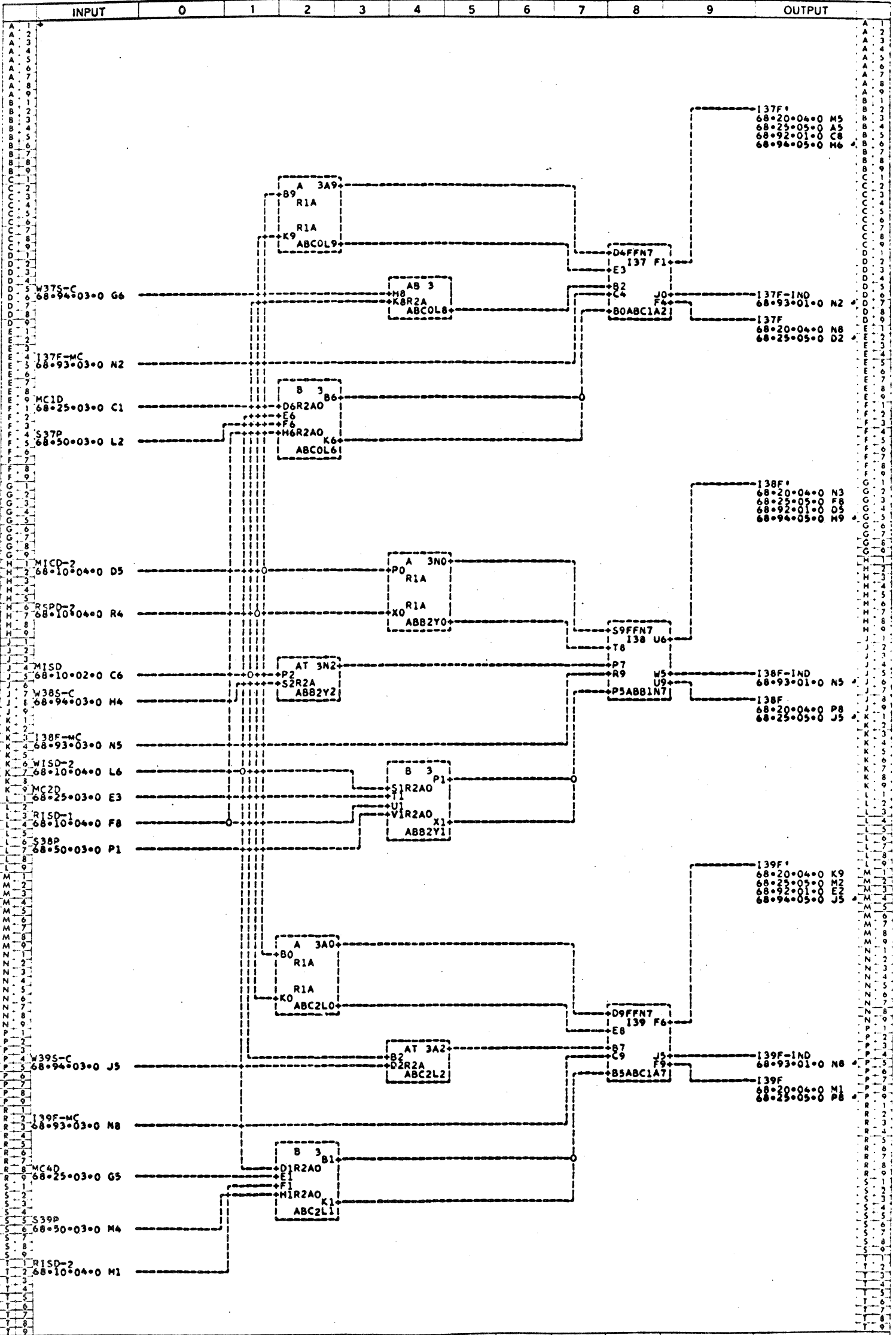
U 2

U 4

U 6

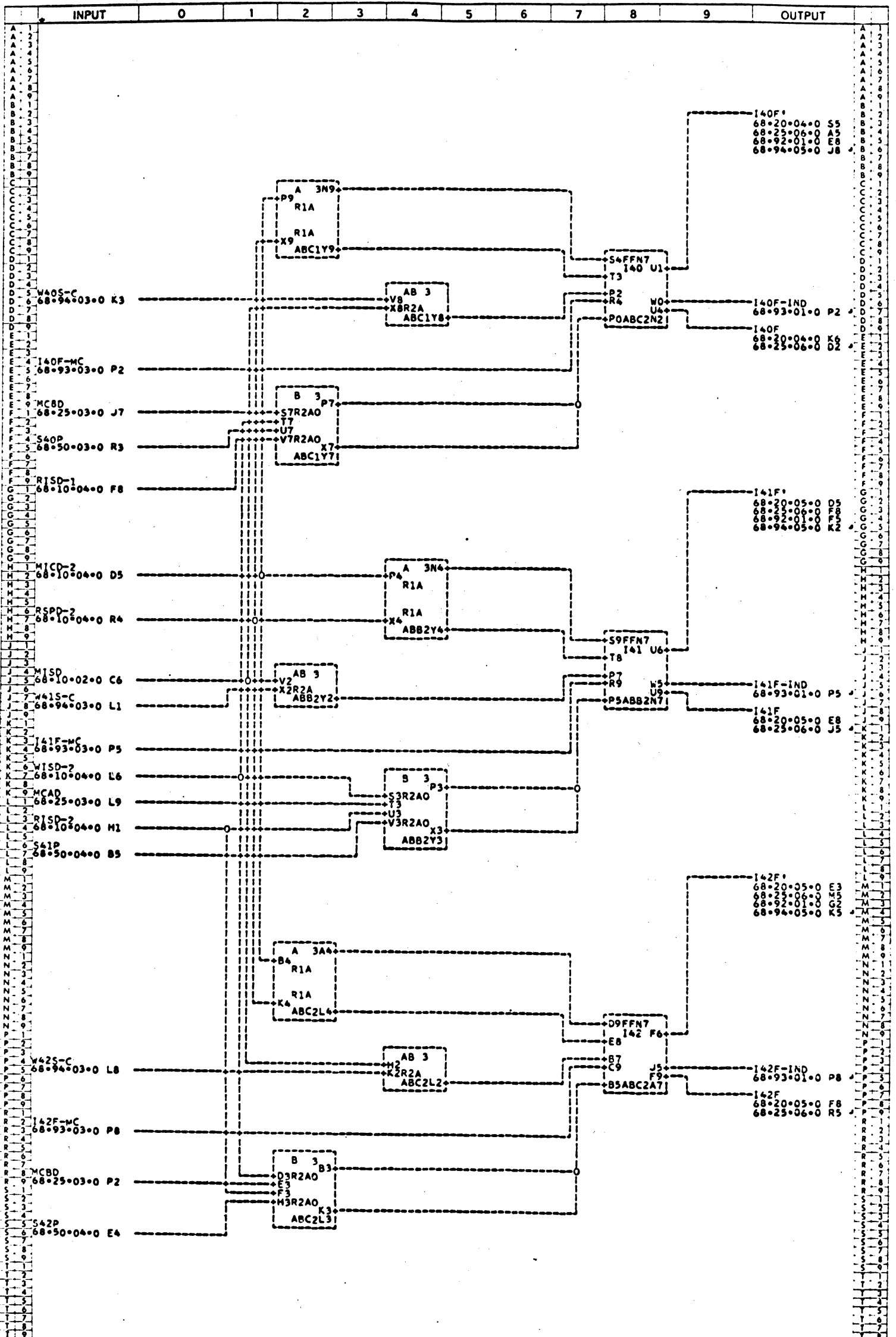
U 8

LOGIC SCHEMATIC



INPUT	0	1	2	3	4	5	6	7	8	9	OUTPUT		
U 2	TITLE INFORMATION REGISTER 137FF THRU 139FF										M- 11167780A8	U 2	
U 4	DRAWN BY R B HENNIG										CHECKED BY J E WOLLUM	ELECTRODATA PASADENA CALIFORNIA	U 4
U 6	UNIT NAME 4 USEC CORE MEMORY UNIT										UNIT NO. 11194119	PROPERTY OF BURROUGHS CORPORATION NOT TO BE REPRODUCED, NOR USED FOR MANUFACTURING PURPOSES EXCEPT ON BURROUGHS ORDER OR PRIOR WRITTEN CONSENT	U 6
U 8	SYSTEM B5000										PAGE NO. 68-50-12-0		U 8

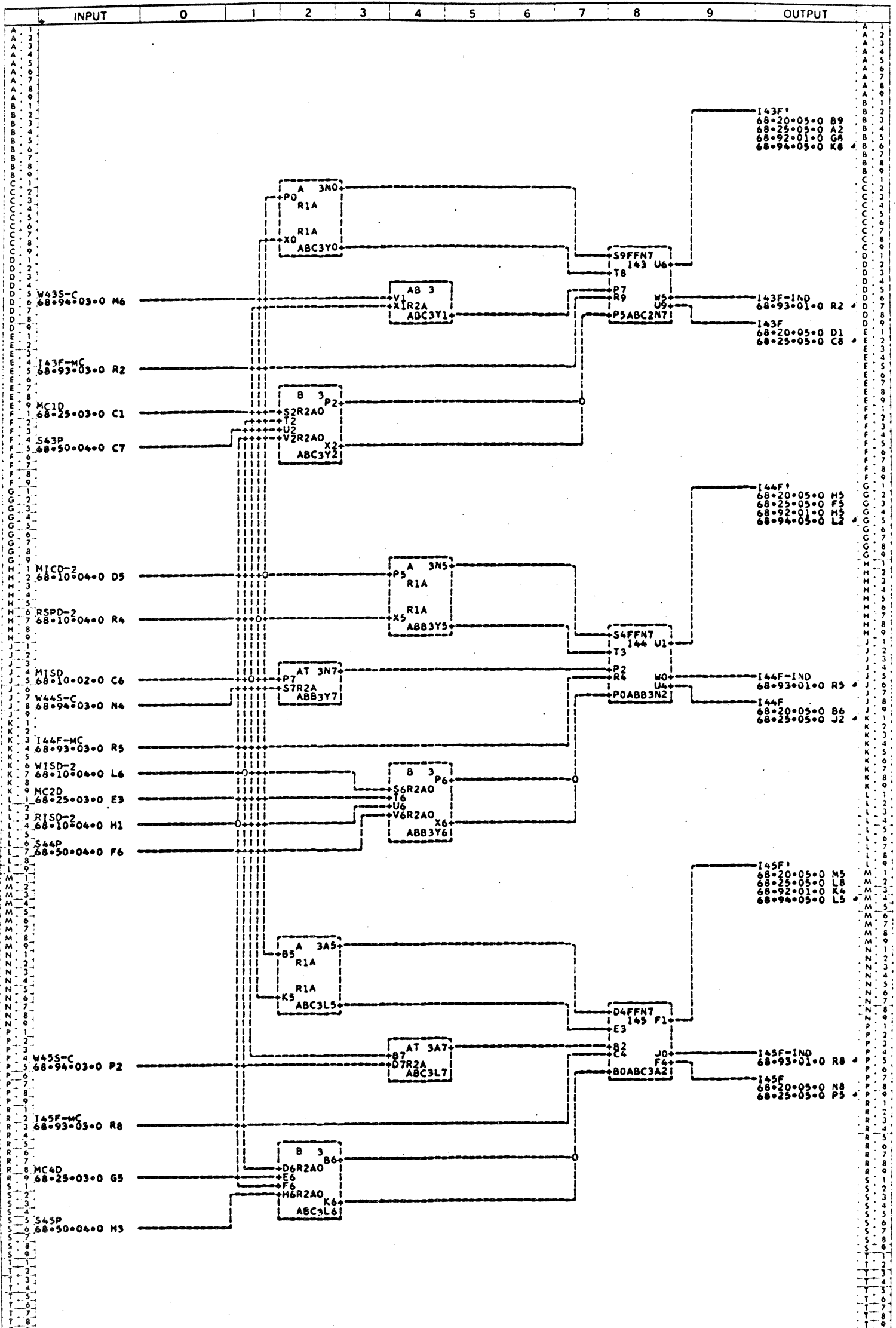
LOGIC SCHEMATIC



INPUT	0	1	2	3	4	5	6	7	8	9	OUTPUT
U 2	TITLE INFORMATION REGISTER 140FF THRU 142FF										U 2
U 4	DRAWN BY R B MENNIG										U 4
U 6	UNIT NAME & USEC CORE MEMORY UNIT										U 6
U 8	SYSTEM B3000										U 8

ELECTRODATA **Burroughs Corporation** PASADENA CALIFORNIA
 M & E DIVISION ③
 PROPERTY OF BURROUGHS CORPORATION NOT TO BE REPRODUCED, NOR USED FOR MANUFACTURING PURPOSES EXCEPT ON BURROUGHS ORDER OR PRIOR WRITTEN CONSENT

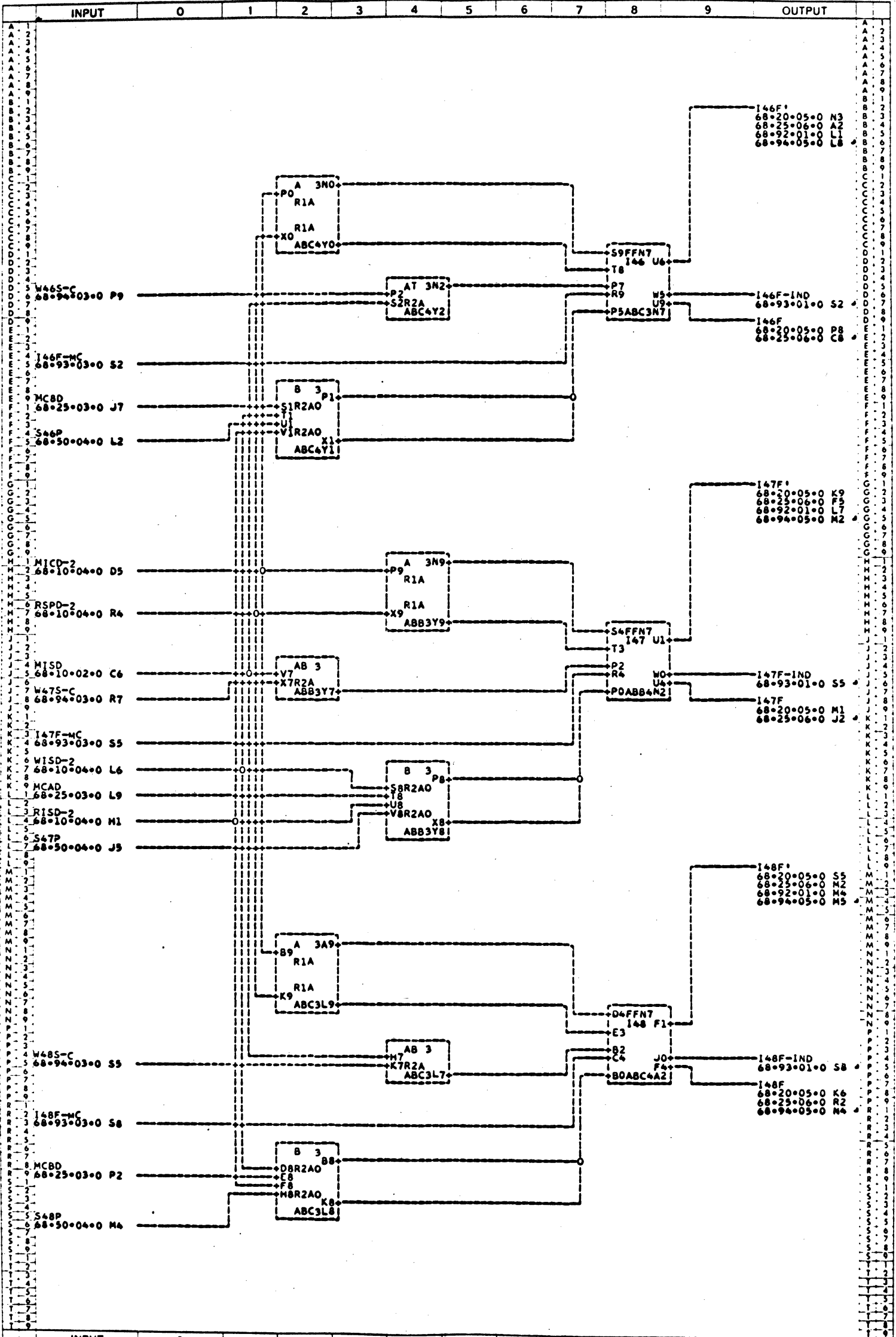
LOGIC SCHEMATIC



INPUT	0	1	2	3	4	5	6	7	8	9	OUTPUT
U 2	TITLE INFORMATION REGISTER 143FF THRU 145FF										M- 11167806AA
U 4	DRAWN BY R B HENNIG										CHECKED BY J E WOLLUM
U 6	UNIT NAME & USEC CORE MEMORY UNIT										UNIT NO. 11194119
U 8	SYSTEM B9000										PAGE NO. 68-60-14-0

ELECTRODATA **Burroughs Corporation** PASADENA
 M & E DIVISION CALIFORNIA
PROPERTY OF BURROUGHS CORPORATION NOT TO BE REPRODUCED NOR USED FOR MANUFACTURING PURPOSES EXCEPT ON BURROUGHS ORDER OR PRIOR WRITTEN CONSENT

LOGIC SCHEMATIC



INPUT	0	1	2	3	4	5	6	7	8	9	OUTPUT
U 2	TITLE INFORMATION REGISTER 146FF THRU 148FF										M- 11167814AA
U 4	DRAWN BY R B HENNIG										CHECKED BY J E WOLLUM
U 6	UNIT NAME & USEC CORE MEMORY UNIT										UNIT NO. 11154119
U 8	SYSTEM B3000										PAGE NO. 68-94-05-0

ELECTRODATA M&E DIVISION

PROPERTY OF BURROUGHS CORPORATION NOT TO BE REPRODUCED, NOR USED FOR MANUFACTURING PURPOSES EXCEPT ON BURROUGHS ORDER OR PRIOR WRITTEN CONSENT

Burroughs Corporation

PASADENA CALIFORNIA

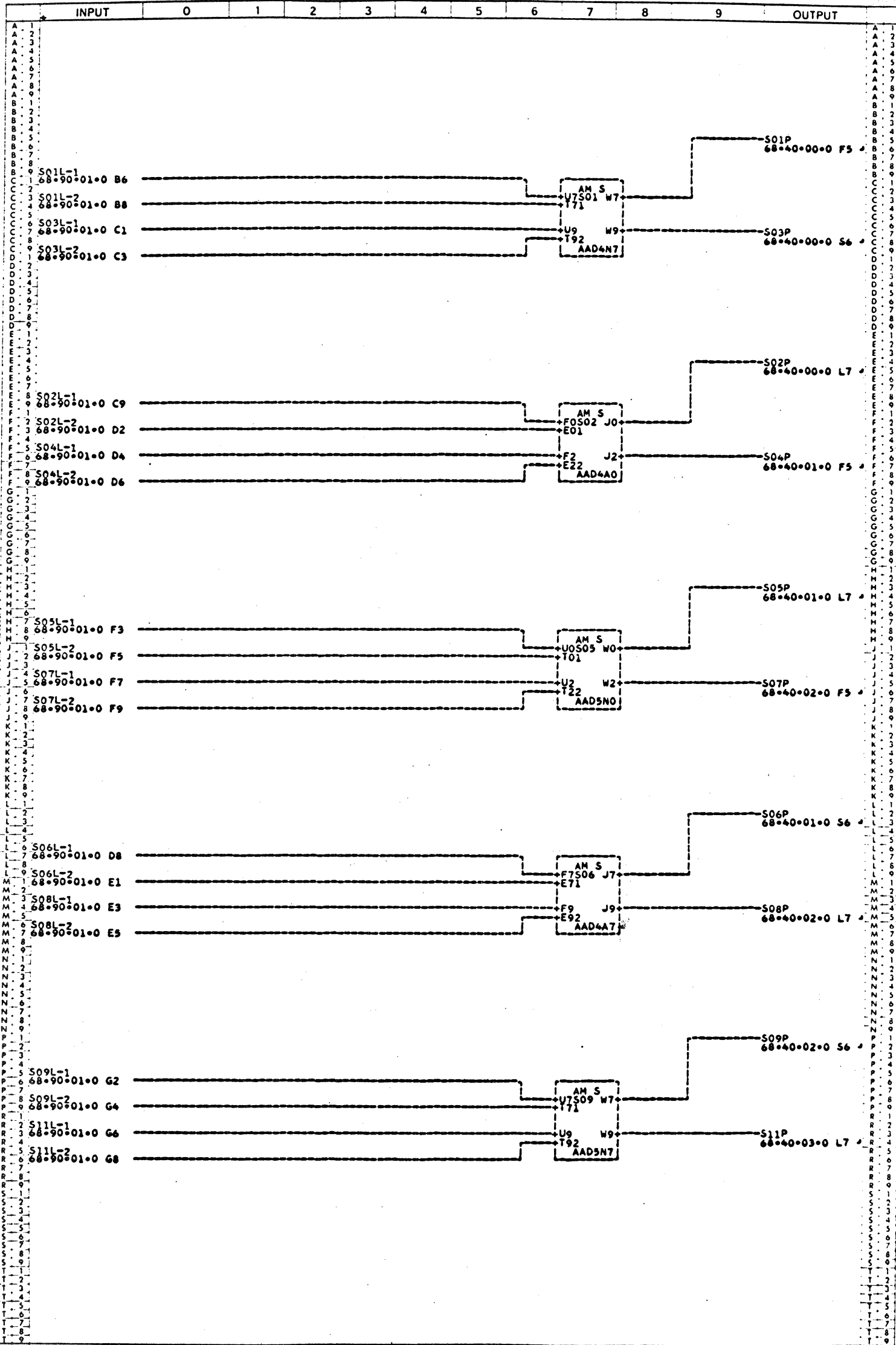
U 2

U 4

U 6

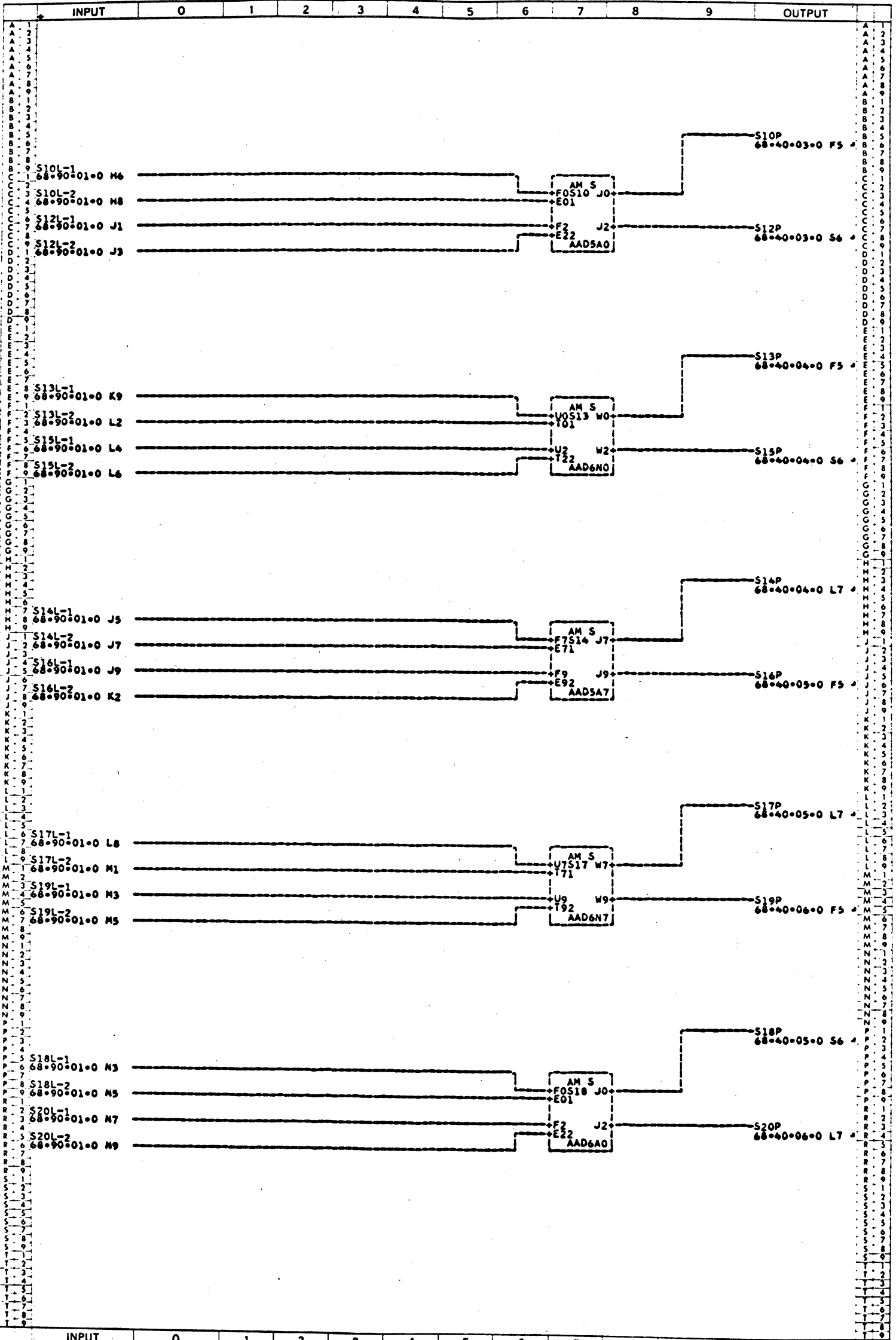
U 8

LOGIC SCHEMATIC



U 2	TITLE SENSE AMPS S01P THRU S09P AND S11P	H- 11167022AB	ELECTRODATA	Burroughs Corporation	PASADENA	U 2
U 4	DRAWN BY R HENNIG	CHECKED BY J E WOLLUM	M&E DIVISION		CALIFORNIA	U 4
U 6	UNIT NAME & USEC CORE MEMORY UNIT	UNIT NO. 11154119	PROPERTY OF BURROUGHS CORPORATION NOT TO BE REPRODUCED, NOR USED FOR MANUFACTURING PURPOSES EXCEPT ON BURROUGHS ORDER OR PRIOR WRITTEN CONSENT			U 6
U 8	SYSTEM 85000	PAGE NO. 68-90-00-0				U 8

LOGIC SCHEMATIC



INPUT	0	1	2	3	4	5	6	7	8	9	OUTPUT
U 2 TITLE SENSE AMPS S10P AND S12P THRU S20P											
U 4 DRAWN BY R B HENNIG											
U 6 UNIT NAME & USEC CORE MEMORY UNIT											
U 8 SYSTEM B2000											

M- 11167830AE

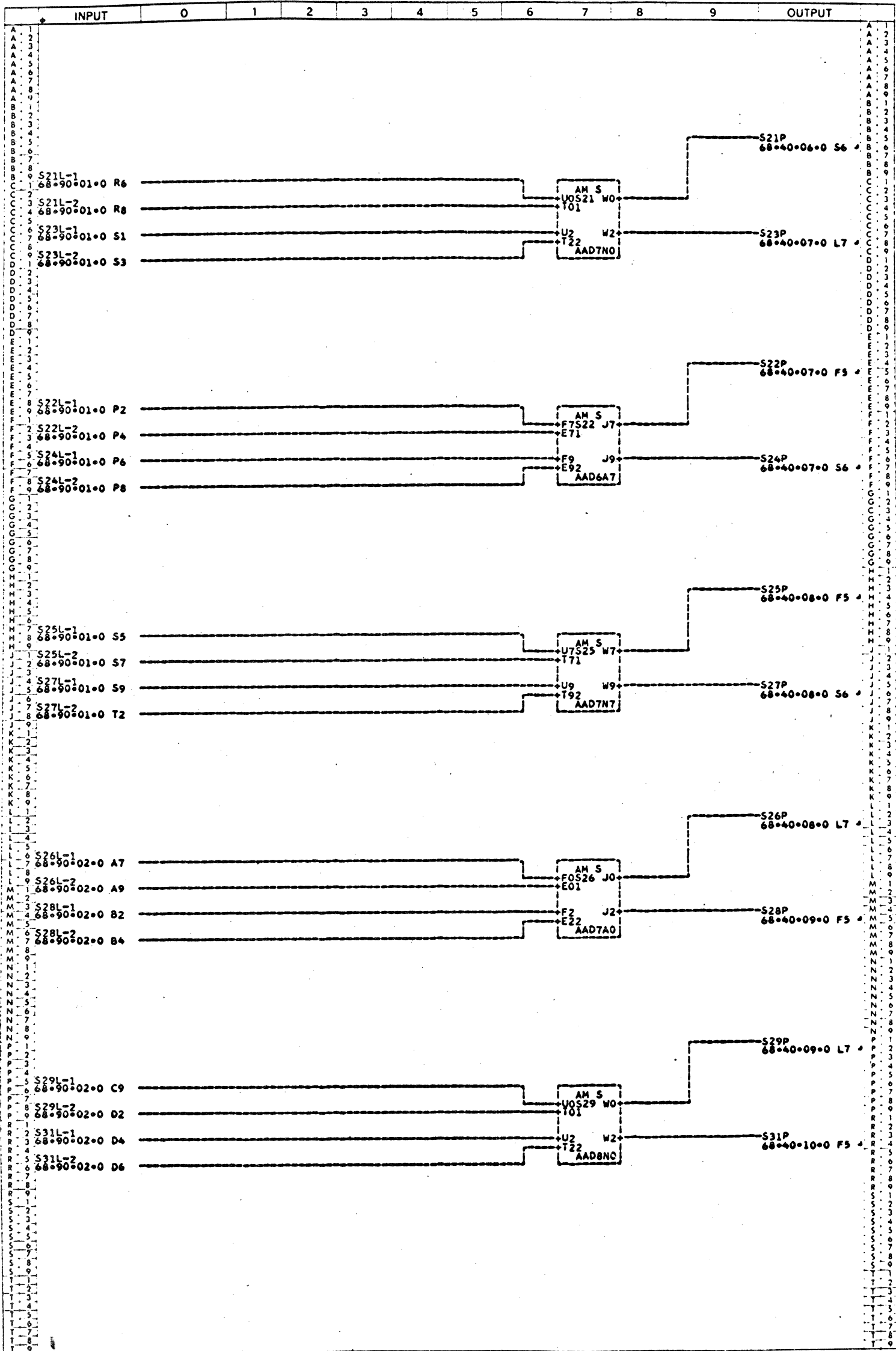
CHECKED BY J E WOLLUM

UNIT NO. 11154119

PAGE NO. 68-90-01-0

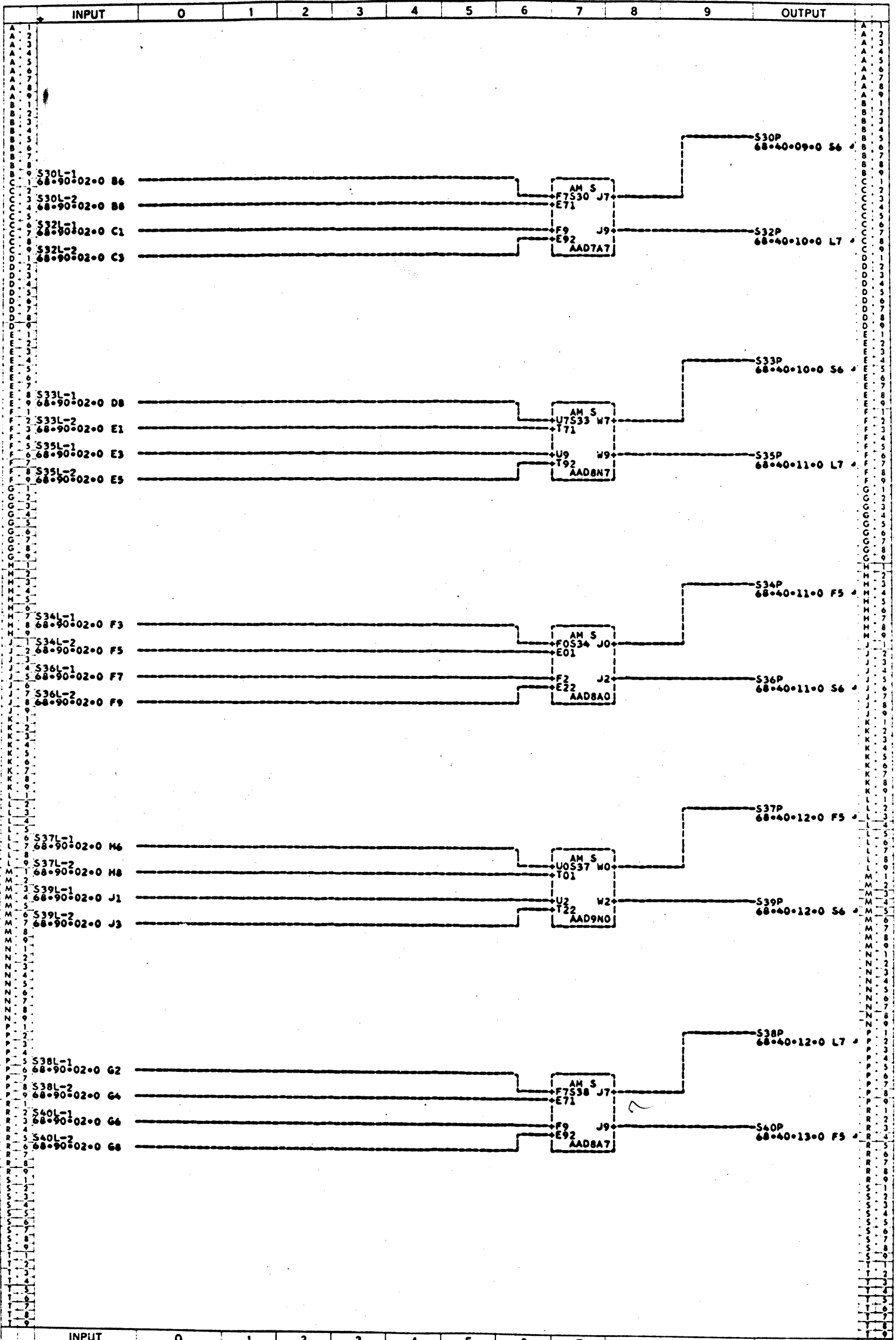
ELECTRODATA M&E DIVISION	Burroughs Corporation	PASADENA CALIFORNIA
PROPERTY OF BURROUGHS CORPORATION NOT TO BE REPRODUCED, NOR USED FOR MANUFACTURING PURPOSES EXCEPT ON BURROUGHS ORDER OR PRIOR WRITTEN CONSENT		

LOGIC SCHEMATIC



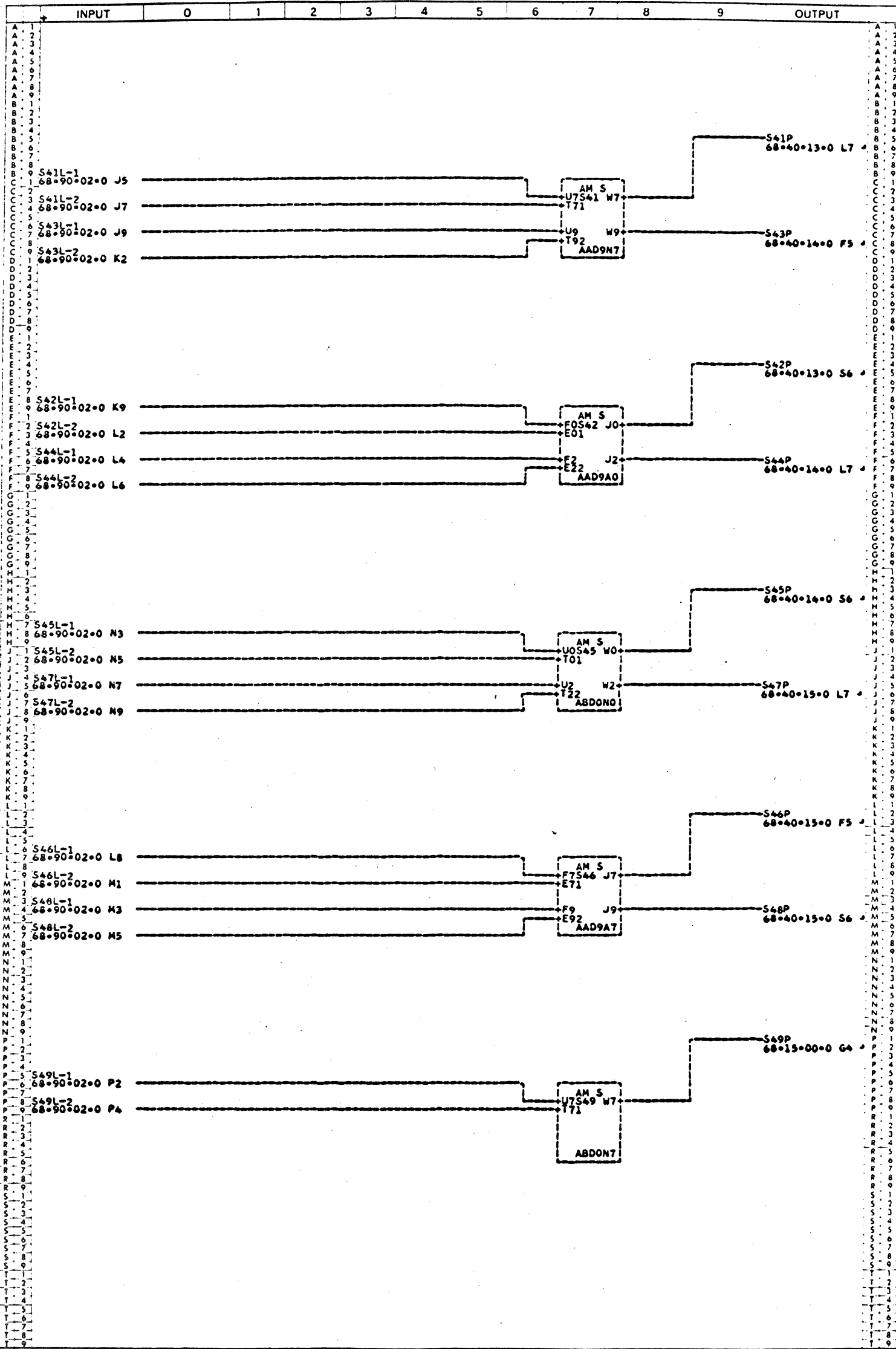
U 2 TITLE	SENSE AMPS S21P THRU S29P AND S31P	M- 11167848AB	ELECTRODATA	Burroughs Corporation	PASADENA	U 2
U 4 DRAWN BY	R B HENNIG	CHECKED BY J E WOLLUM	M & E DIVISION	CALIFORNIA	CALIFORNIA	U 4
U 6 UNIT NAME &	USEC CORE MEMORY UNIT	UNIT NO. 11154119	PROPERTY OF BURROUGHS CORPORATION NOT TO BE REPRODUCED, NOR USED FOR MANUFACTURING PURPOSES EXCEPT ON BURROUGHS ORDER OR PRIOR WRITTEN CONSENT			U 6
U 8 SYSTEM	B5000	PAGE NO. 68-50-02-0				U 8

LOGIC SCHEMATIC



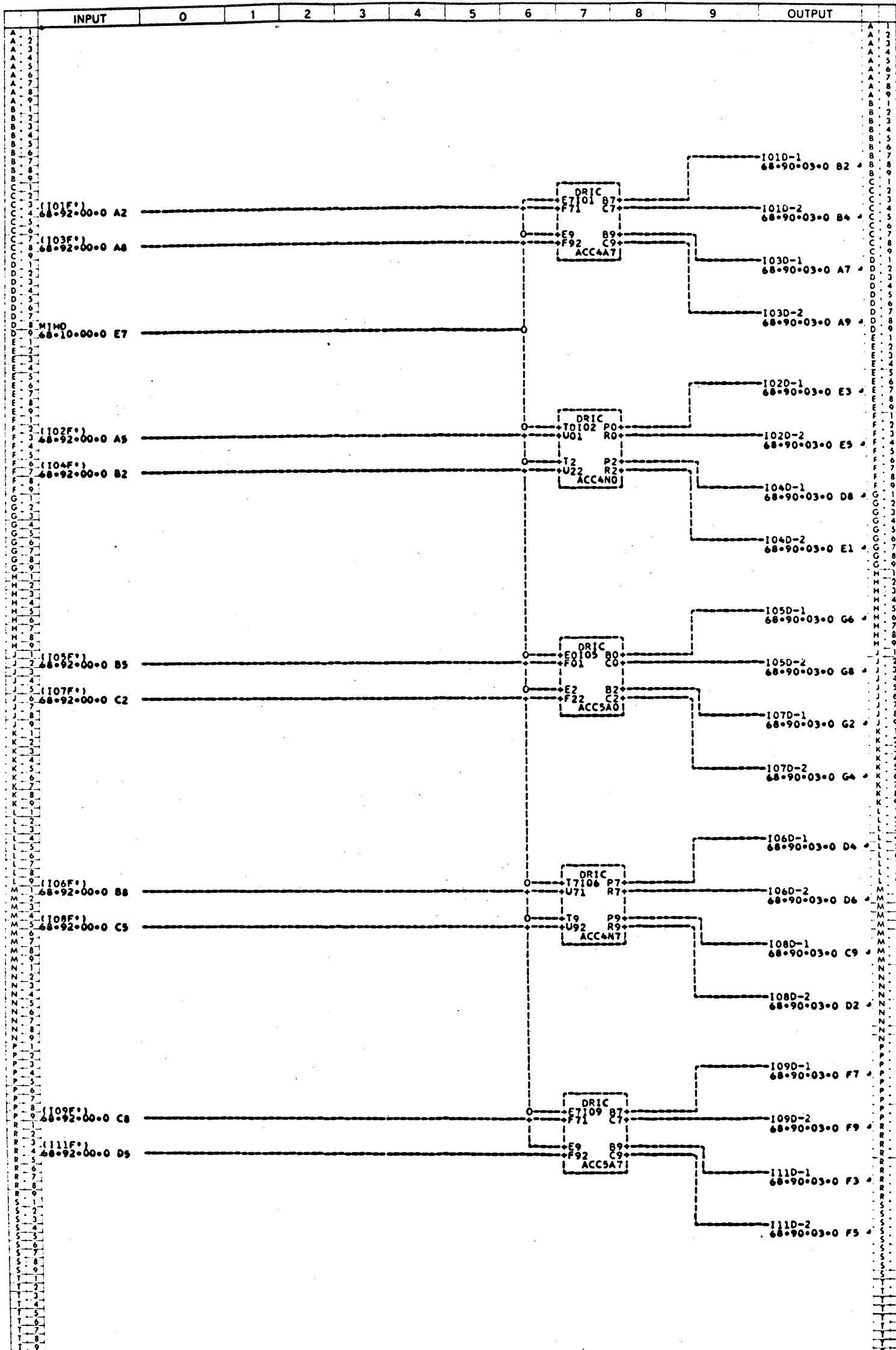
INPUT	0	1	2	3	4	5	6	7	8	9	OUTPUT															
<table style="width: 100%; border: none;"> <tr> <td style="width: 50%; border: none;"> U 2 TITLE SENSE AMPS S30P AND S32P THRU S40P U 4 DRAWN BY R B HENNIG U 6 UNIT NAME & USEC CORE MEMORY UNIT U 8 SYSTEM B3000 </td> <td style="width: 20%; border: none; text-align: center;"> H- 11167855A8 CHECKED BY J E WOLLUM UNIT NO. 11154119 PAGE NO. 68-90-03-0 </td> <td style="width: 30%; border: none; text-align: center;"> ELECTRODATA Burroughs Corporation PASADENA CALIFORNIA M & E DIVISION </td> </tr> <tr> <td colspan="12" style="border: none; font-size: small; text-align: center;"> PROPERTY OF BURROUGHS CORPORATION NOT TO BE REPRODUCED, NOR USED FOR MANUFACTURING PURPOSES EXCEPT ON BURROUGHS ORDER OR PRIOR WRITTEN CONSENT </td> </tr> </table>												U 2 TITLE SENSE AMPS S30P AND S32P THRU S40P U 4 DRAWN BY R B HENNIG U 6 UNIT NAME & USEC CORE MEMORY UNIT U 8 SYSTEM B3000	H- 11167855A8 CHECKED BY J E WOLLUM UNIT NO. 11154119 PAGE NO. 68-90-03-0	ELECTRODATA Burroughs Corporation PASADENA CALIFORNIA M & E DIVISION	PROPERTY OF BURROUGHS CORPORATION NOT TO BE REPRODUCED, NOR USED FOR MANUFACTURING PURPOSES EXCEPT ON BURROUGHS ORDER OR PRIOR WRITTEN CONSENT											
U 2 TITLE SENSE AMPS S30P AND S32P THRU S40P U 4 DRAWN BY R B HENNIG U 6 UNIT NAME & USEC CORE MEMORY UNIT U 8 SYSTEM B3000	H- 11167855A8 CHECKED BY J E WOLLUM UNIT NO. 11154119 PAGE NO. 68-90-03-0	ELECTRODATA Burroughs Corporation PASADENA CALIFORNIA M & E DIVISION																								
PROPERTY OF BURROUGHS CORPORATION NOT TO BE REPRODUCED, NOR USED FOR MANUFACTURING PURPOSES EXCEPT ON BURROUGHS ORDER OR PRIOR WRITTEN CONSENT																										

LOGIC SCHEMATIC



U 2	TITLE SENSE AMPS S41P THRU S49P	H- 11167863AB	ELECTRODATA	Burroughs Corporation	PASADENA CALIFORNIA	U 2
U 4	DRAWN BY R B HENNIG	CHECKED BY J E WOLLUM	M & E DIVISION			U 4
U 6	UNIT NAME & USEC CORE MEMORY UNIT	UNIT NO. 11154119	PROPERTY OF BURROUGHS CORPORATION NOT TO BE REPRODUCED, NOR USED FOR MANUFACTURING PURPOSES EXCEPT ON BURROUGHS ORDER OR PRIOR WRITTEN CONSENT			U 6
U 8	SYSTEM B5000	PAGE NO. 68-90-04-0				U 8

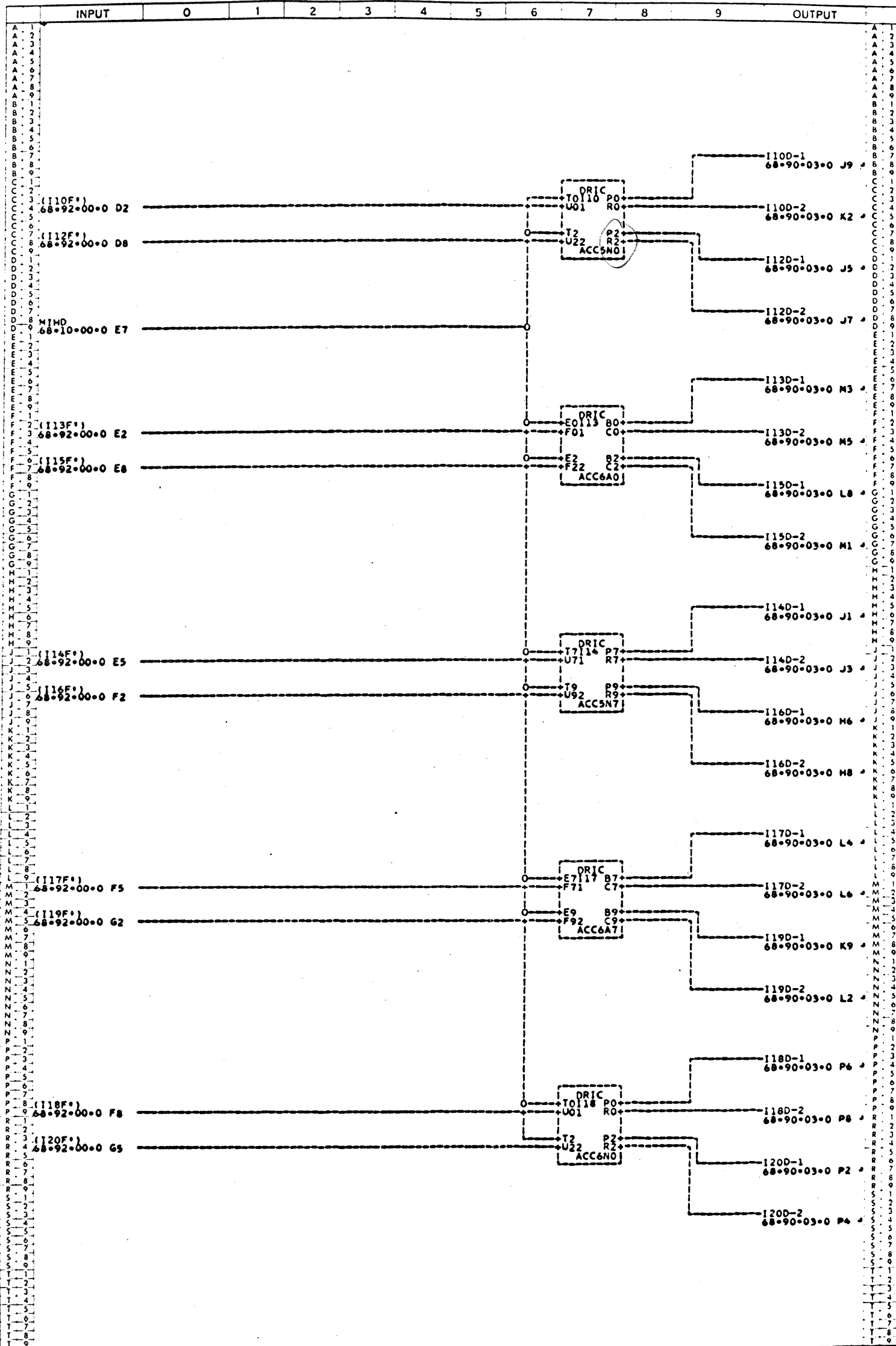
LOGIC SCHEMATIC



INPUT	0	1	2	3	4	5	6	7	8	9	OUTPUT
U 2 TITLE INHIBIT DRIVERS 1010 THRU 1090 AND 1110 M- 11167871AC											U 2
U 4 DRAWN BY R B HENNIG	CHECKED BY J E WOLLUM										U 4
U 6 UNIT NAME & USEC CORE MEMORY UNIT	UNIT NO. 11194119										U 6
U 8 SYSTEM 85000	PAGE NO. 68-99-0000										U 8

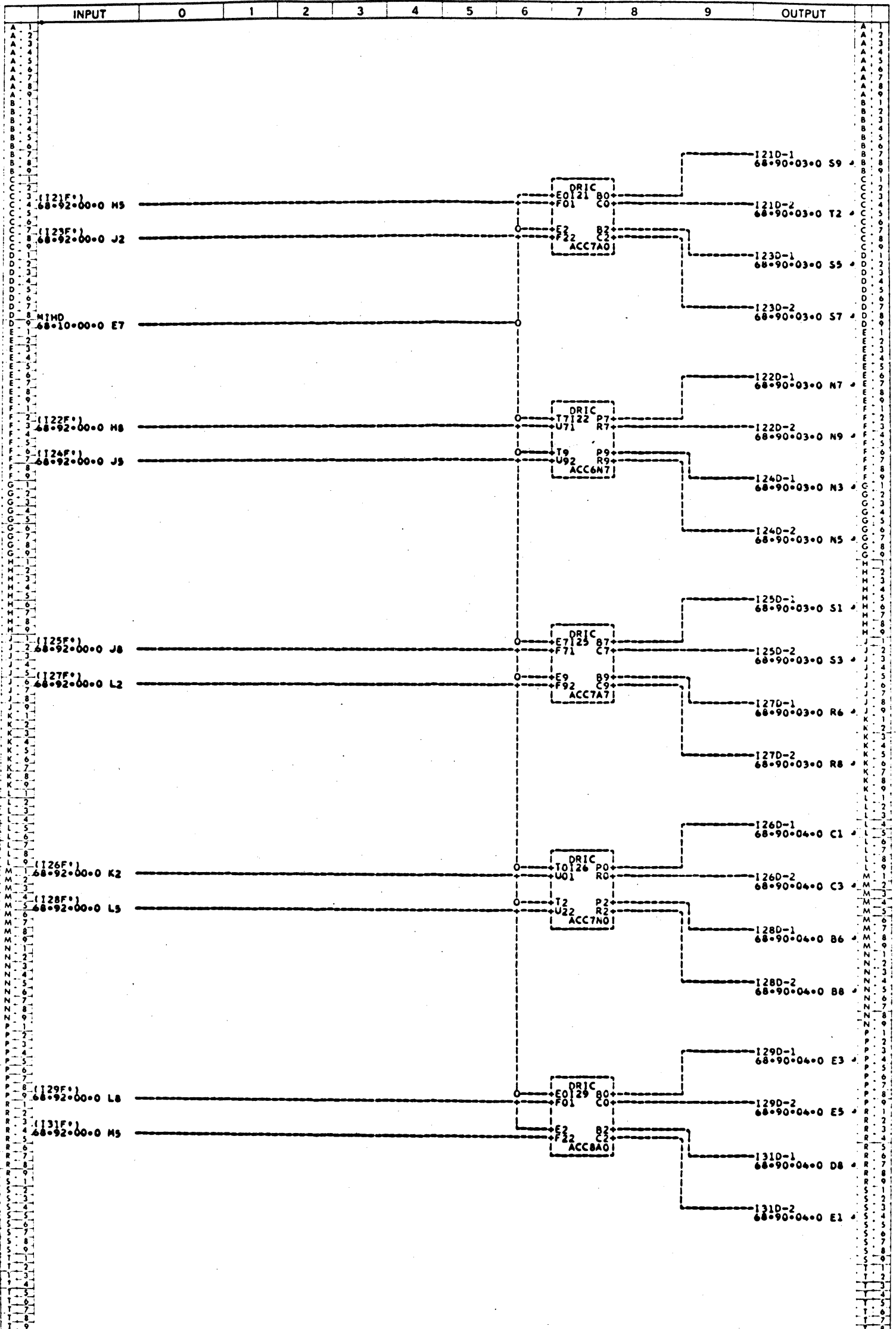
ELECTRODATA **Burroughs Corporation** PASADENA CALIFORNIA
 M&E DIVISION M&E DIVISION
 PROPERTY OF BURROUGHS CORPORATION NOT TO BE REPRODUCED, NOR USED FOR MANUFACTURING PURPOSES EXCEPT ON BURROUGHS ORDERS OR PRIOR WRITTEN CONSENT

LOGIC SCHEMATIC



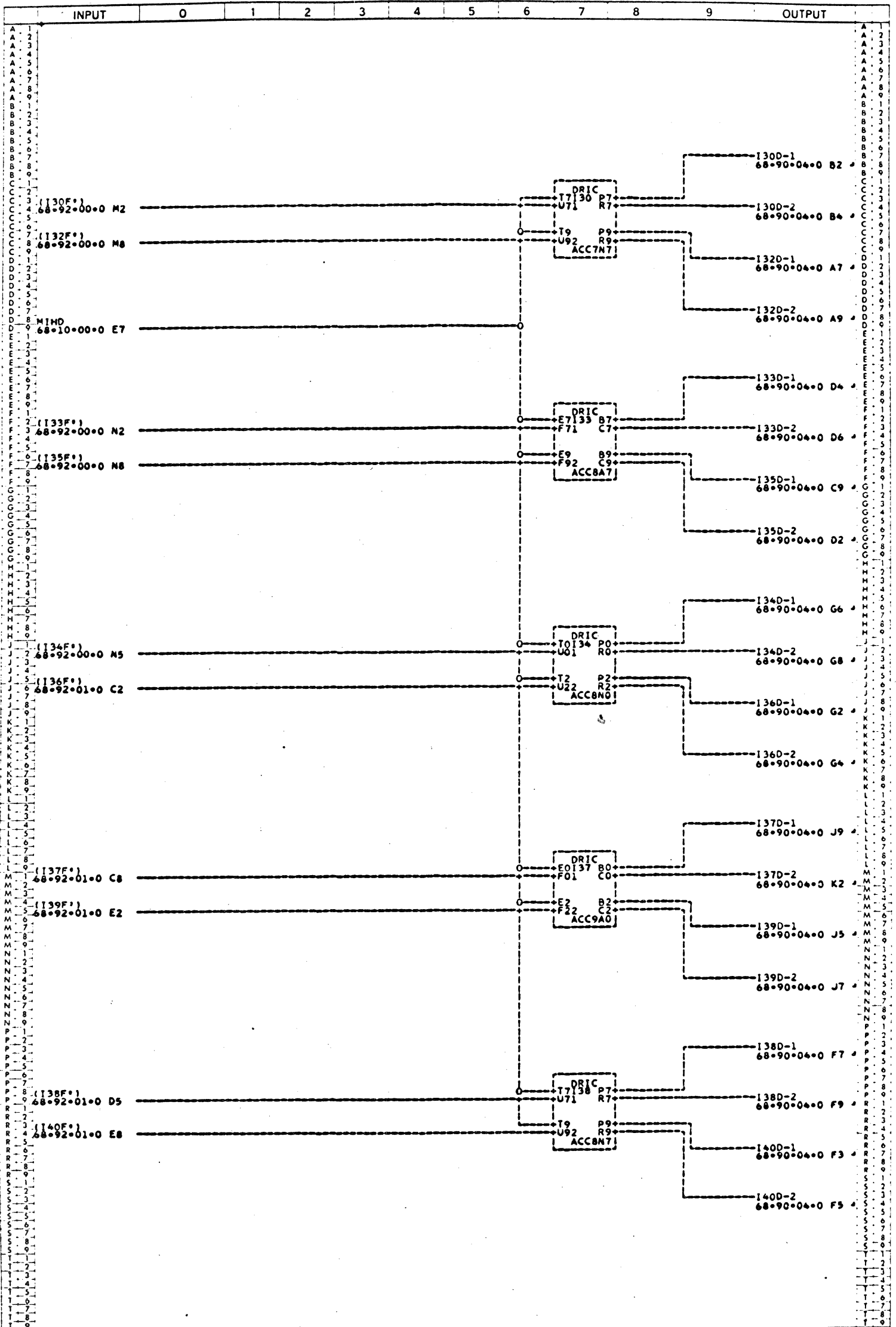
	INPUT	0	1	2	3	4	5	6	7	8	9	OUTPUT
U 2	TITLE INHIBIT DRIVERS 1100 AND 1120 THRU 1200 M- 11167889AC											U 2
U 4	DRAWN BY R B HENNIG CHECKED BY J E WOLLUM											U 4
U 6	UNIT NAME & USEC CORE MEMORY UNIT UNIT NO. 11154119											U 6
U 8	SYSTEM 85000 PAGE NO. 68-35-01-0											U 8
ELECTRODATA Burroughs Corporation PASADENA CALIFORNIA M & E DIVISION PROPERTY OF BURROUGHS CORPORATION NOT TO BE REPRODUCED NOR USED FOR MANUFACTURING PURPOSES EXCEPT ON BURROUGHS ORDER OR PRIOR WRITTEN CONSENT												

LOGIC SCHEMATIC

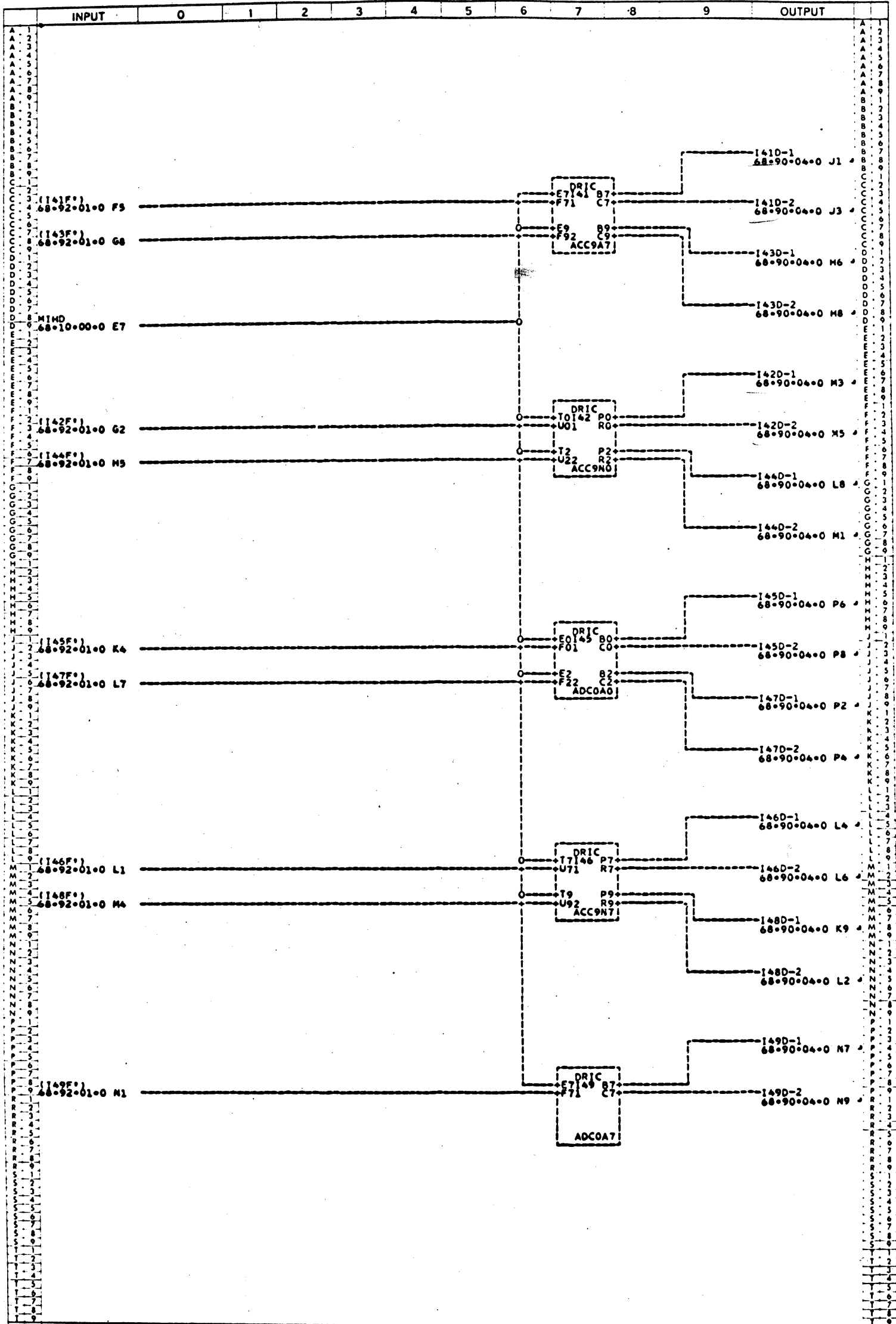


		INPUT	0	1	2	3	4	5	6	7	8	9	OUTPUT
U	2	TITLE		INHIBIT DRIVERS 121D THRU 129D AND 131D						M-		11167897AC	
U	4	DRAWN BY		R B MENNIG		CHECKED BY		J E MOLLUM					
U	6	UNIT NAME & USEC		CORE MEMORY UNIT						UNIT NO.		11194119	
U	8	SYSTEM		85000						PAGE NO.		68-55-02-0	
		ELECTRODATA		Burrhoigh Corporation						PASADENA		CALIFORNIA	
		PROPERTY OF BURROUGHS CORPORATION		NOT TO BE REPRODUCED, NOR USED FOR						MANUFACTURING PURPOSES EXCEPT ON BURROUGHS ORDER OR PRIOR WRITTEN CONSENT			

LOGIC SCHEMATIC



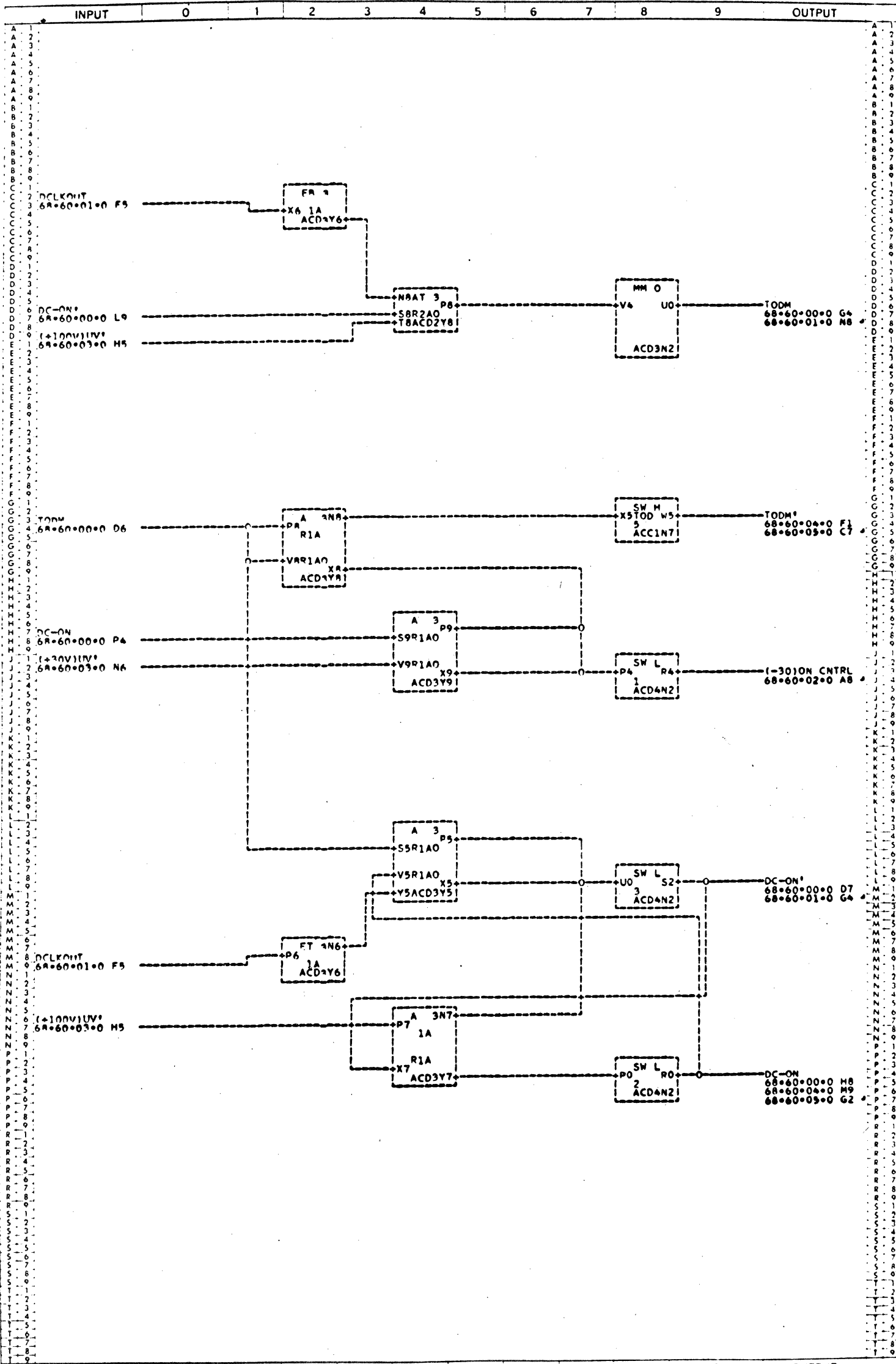
LOGIC SCHEMATIC



U 2 TITLE INHIBIT DRIVERS 141D THRU 149D M- 11167913AC
 U 4 DRAWN BY R B HENMIG CHECKED BY J E WOLLUM
 U 6 UNIT NAME & USEC CORE MEMORY UNIT UNIT NO. 11194119
 U 8 SYSTEM 83000 PAGE NO. 68-55-0A-0

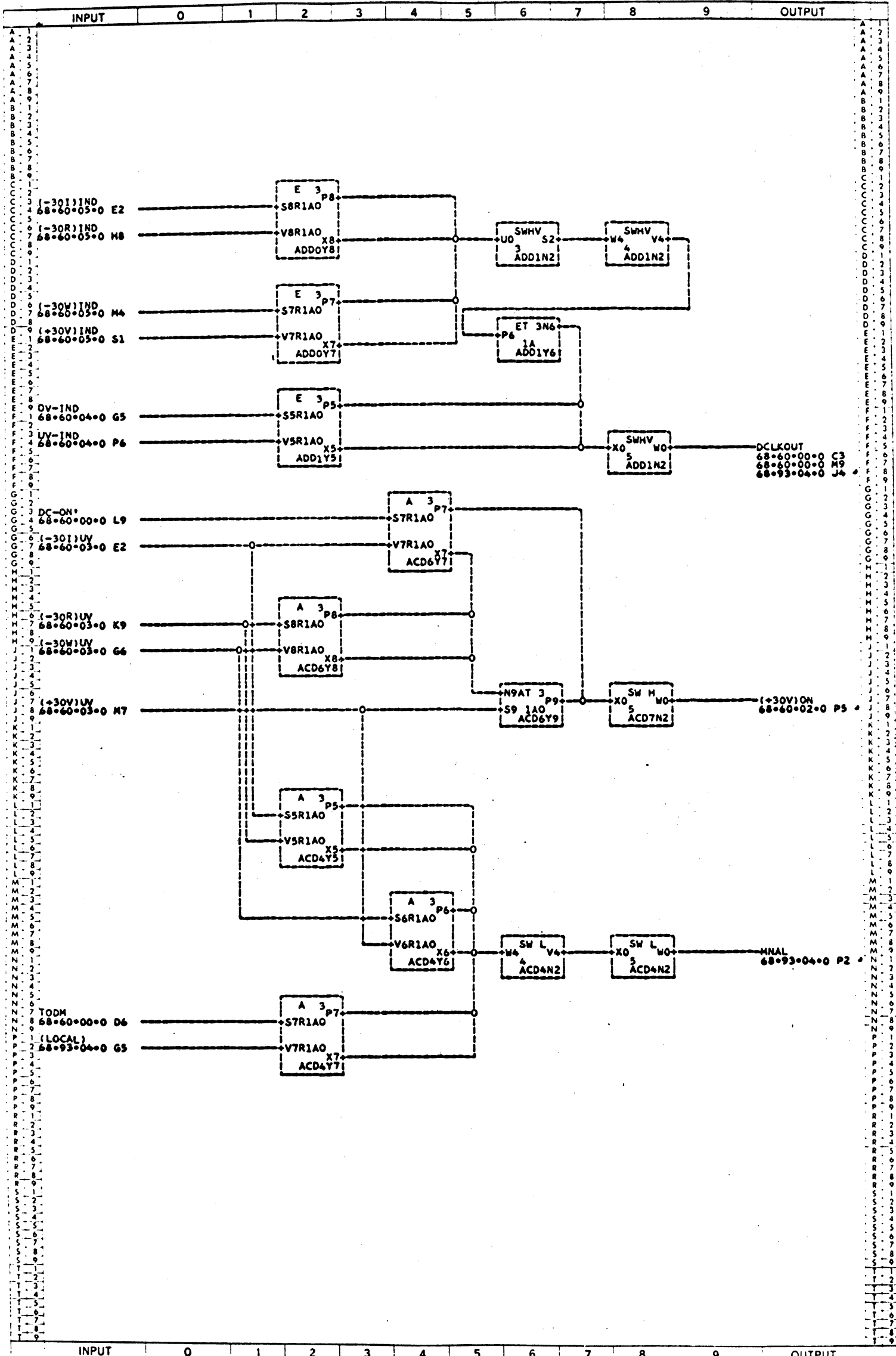
Burroughs Corporation
 ELECTRODATA M&E DIVISION PASADENA CALIFORNIA
PROPERTY OF BURROUGHS CORPORATION NOT TO BE REPRODUCED, NOR USED FOR MANUFACTURING PURPOSES EXCEPT ON BURROUGHS ORDER OR PRIOR WRITTEN CONSENT

LOGIC SCHEMATIC



INPUT	0	1	2	3	4	5	6	7	8	9	OUTPUT
U 2	TITLE LOCAL VOLTAGE REGULATOR CONTROL CIRCUITS					M- 11167921AC					U 2
U 4	DRAWN BY P R HENNIG					CHECKED BY J E WOLLUM					U 4
U 6	UNIT NAME & USFC CORE MEMORY UNIT					UNIT NO. 11154119					U 6
U 8	SYSTEM #5000					PAGE NO. 68-60-00-0					U 8

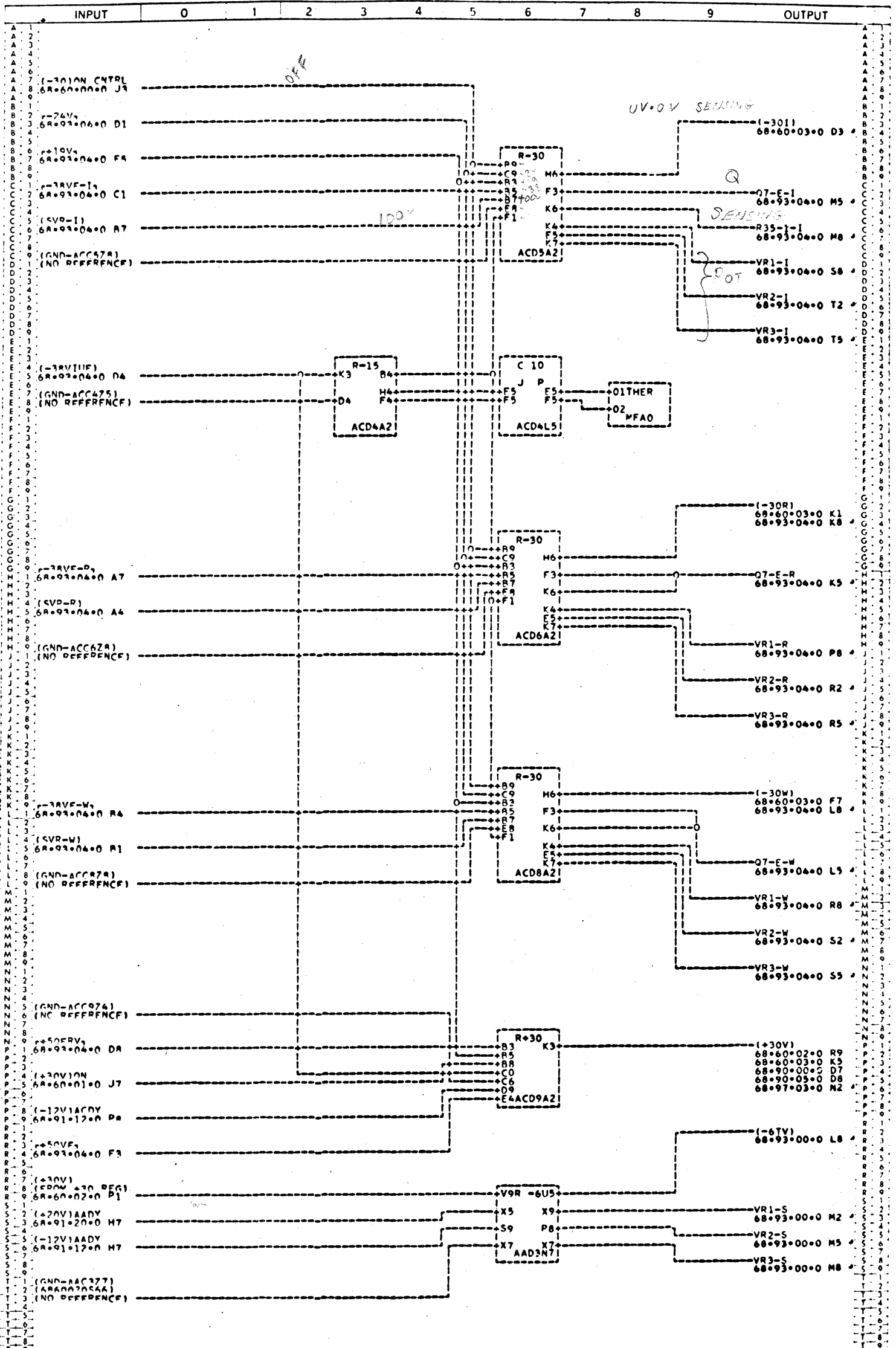
LOGIC SCHEMATIC



U 2 TITLE LOCAL +30V REGULATOR CONTROL AND DCLOCKOUT -MNAL H- 11167939AB
 U 4 DRAWN BY R B HENNIG CHECKED BY J E WOLLUM
 U 6 UNIT NAME 4 USEC CORE MEMORY UNIT UNIT NO. 11154119
 U 8 SYSTEM BS000 PAGE NO. 68-60-01-0

ELECTRODATA **Burroughs Corporation** **PASADENA CALIFORNIA**
 PROPERTY OF BURROUGHS CORPORATION NOT TO BE REPRODUCED, NOR USED FOR MANUFACTURING PURPOSES EXCEPT ON BURROUGHS ORDER OR PRIOR WRITTEN CONSENT

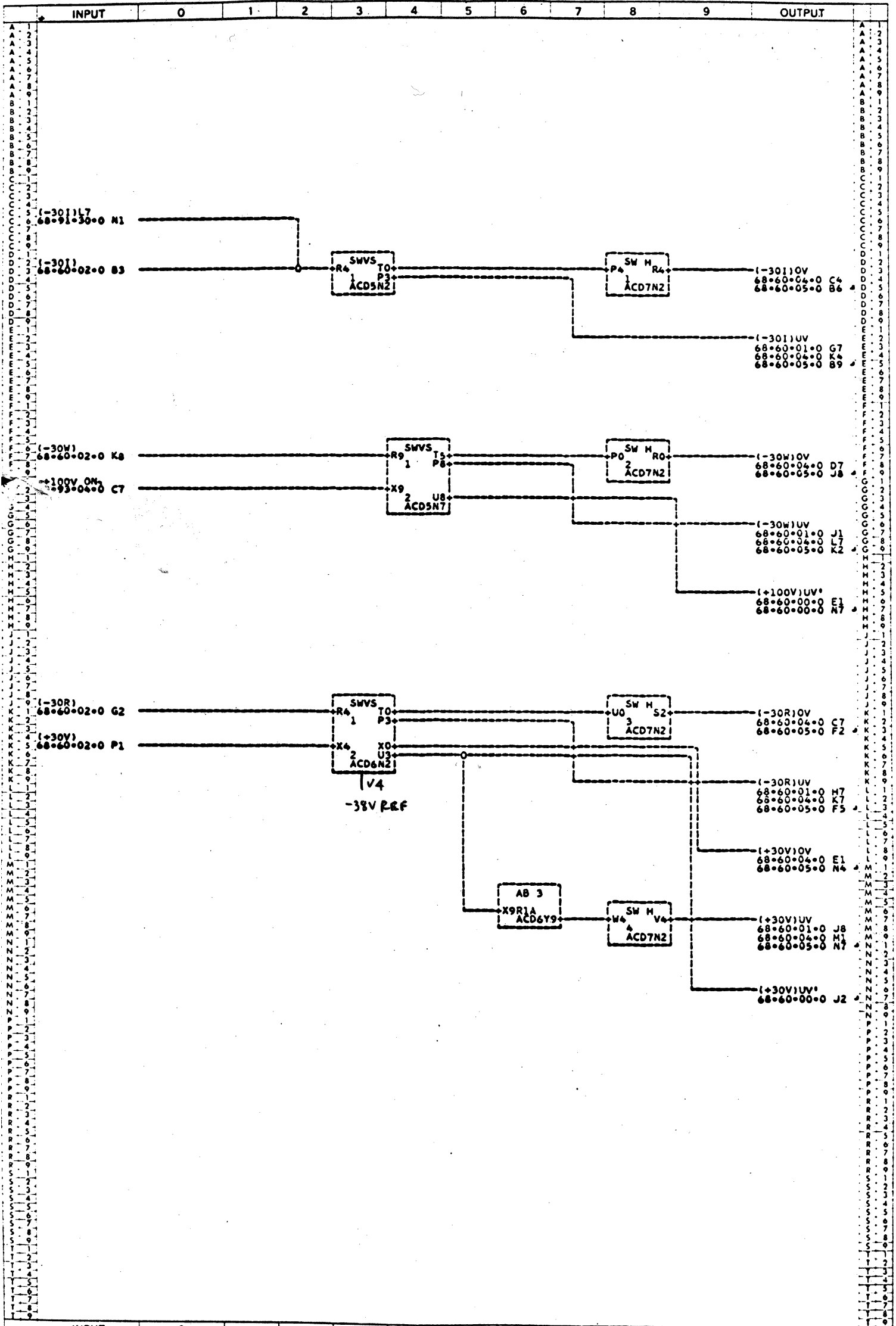
LOGIC SCHEMATIC



INPUT	0	1	2	3	4	5	6	7	8	9	OUTPUT
U 2 TITLE 30V REGULATORS AND -15V REGULATOR											
U 4 DRAWN BY TFD Z											
U 6 UNIT NAME & USFC CORE MEMORY UNIT											
U 8 SYSTEM 45000											

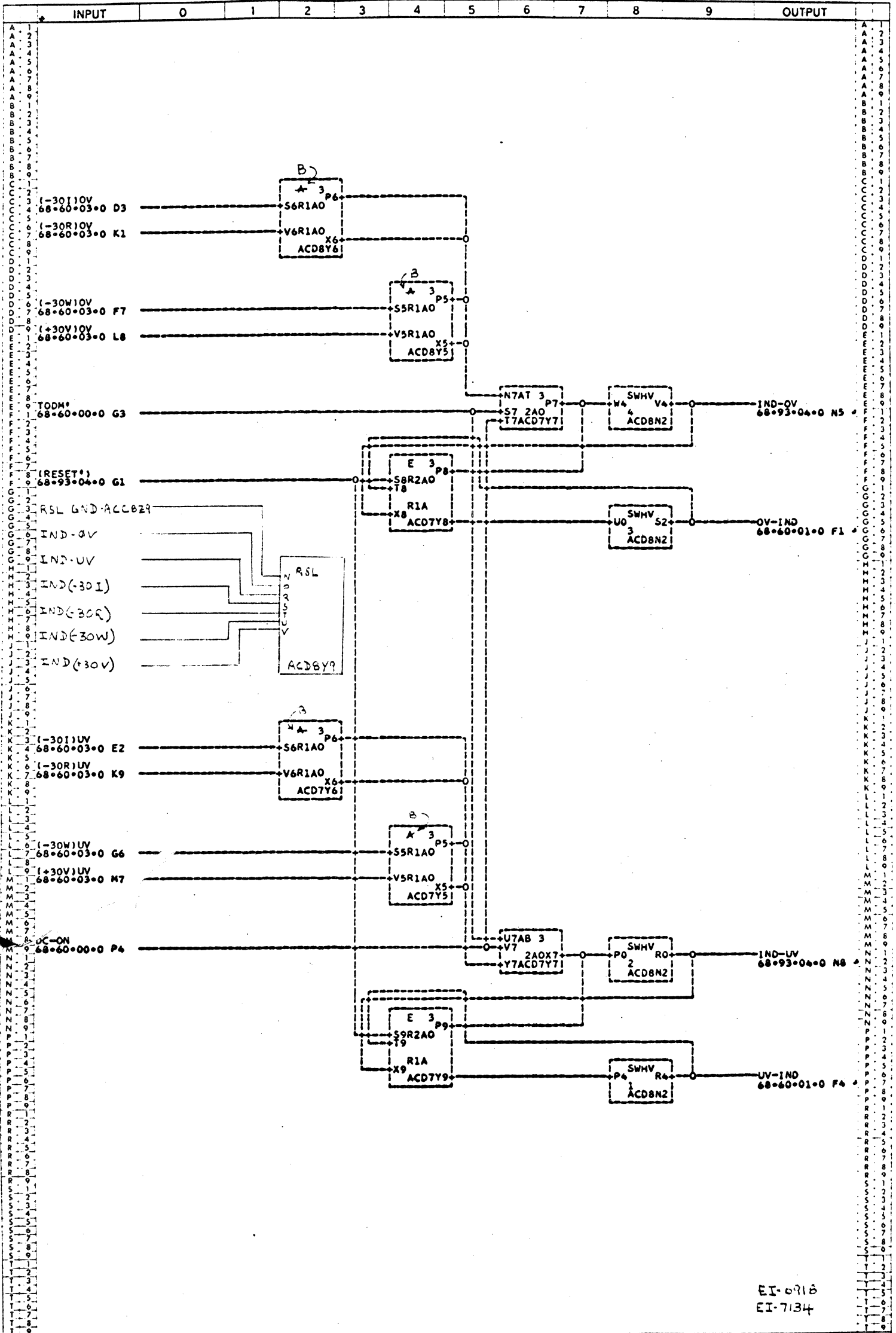
ELECTRODATA M&E DIVISION	Burroughs Corporation	PASADENA CALIFORNIA
PROPERTY OF BURROUGHS CORPORATION NOT TO BE REPRODUCED, NOR USED FOR MANUFACTURING PURPOSES EXCEPT ON BURROUGHS ORDER OR PRIOR WRITTEN CONSENT		

LOGIC SCHEMATIC



	INPUT	0	1	2	3	4	5	6	7	8	9	OUTPUT
U 2	TITLE VOLTAGE SENSING CIRCUITS											U 2
U 4	DRAWN BY TED Z											U 4
U 6	UNIT NAME & USEC CORE MEMORY UNIT											U 6
U 8	SYSTEM 05000											U 8
					M- 11167934A8		ELECTRODATA		Burroughs Corporation		PASADENA CALIFORNIA	
					CHECKED BY J E WOLLUM		M & E DIVISION		3		PROPERTY OF BURROUGHS CORPORATION NOT TO BE REPRODUCED, NOR USED FOR MANUFACTURING PURPOSES EXCEPT ON BURROUGHS ORDER OR PRIOR WRITTEN CONSENT	
					UNIT NO. 11154119		PAGE NO. 68-60-03-0					

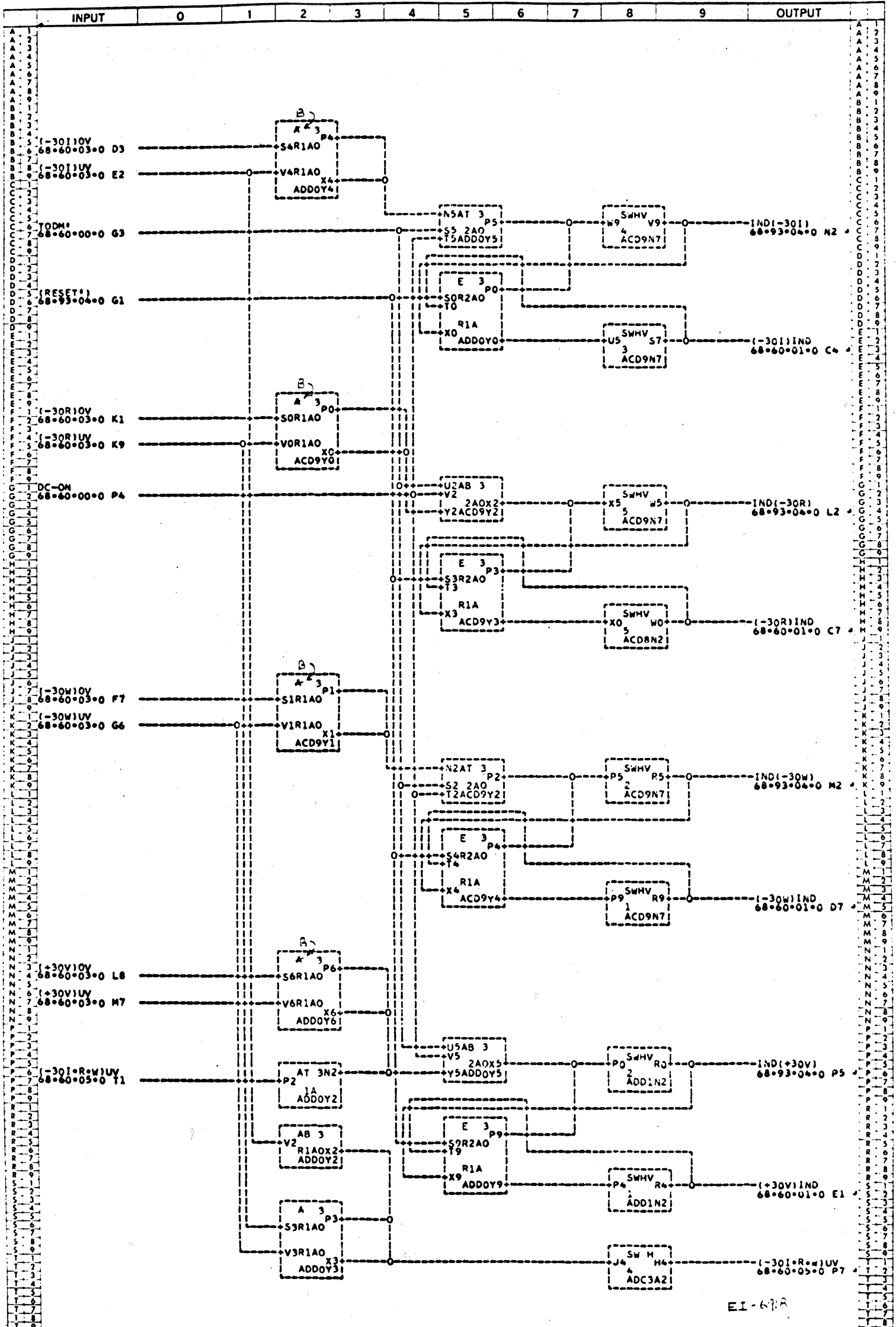
LOGIC SCHEMATIC



EI-0918
EI-7134

INPUT	0	1	2	3	4	5	6	7	8	9	OUTPUT			
U 2	TITLE OV AND UV INDICATOR LATCH CIRCUITS										M- 11167962A8	U 2		
U 4	DRAWN BY R B HENNIG										CHECKED BY J E WOLLUM	ELECTRODATA M&E DIVISION	Burroughs Corporation PASADENA CALIFORNIA	U 4
U 6	UNIT NAME & USEC CORE MEMORY UNIT										UNIT NO. 11154119	PROPERTY OF BURROUGHS CORPORATION NOT TO BE REPRODUCED, NOR USED FOR MANUFACTURING PURPOSES EXCEPT ON BURROUGHS ORDER OR PRIOR WRITTEN CONSENT		U 6
U 8	SYSTEM 85000										PAGE NO. 68-60-00-00		U 8	

LOGIC SCHEMATIC



EI-67A

INPUT	0	1	2	3	4	5	6	7	8	9	OUTPUT	
U 2	TITLE -30I -30R -30W +30V INDICATOR LATCH CIRCUITS										M- 11167970AC	U 2
U 4	DRAWN BY R B HENNIG										CHECKED BY J E WOLLUM	U 4
U 6	UNIT NAME & USEC CORE MEMORY UNIT										UNIT NO. 11154119	U 6
U 8	SYSTEM B5000										PAGE NO. 68-60-05-0	U 8

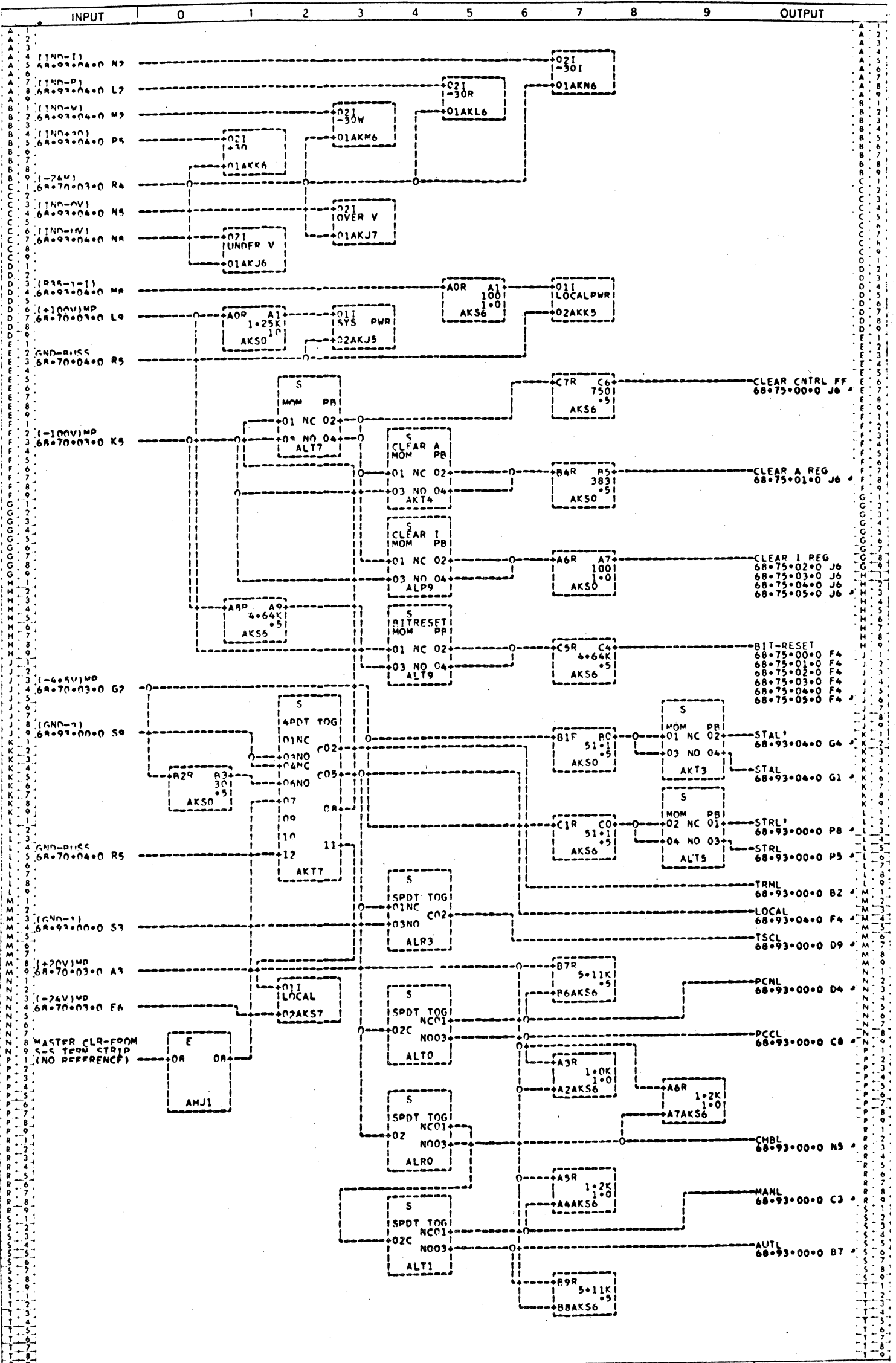
ELECTRODATA
M & E DIVISION

Burroughs Corporation

PASADENA
CALIFORNIA

PROPERTY OF BURROUGHS CORPORATION NOT TO BE REPRODUCED, NOR USED FOR
MANUFACTURING PURPOSES EXCEPT ON BURROUGHS ORDER OR PRIOR WRITTEN COMMENT

LOGIC SCHEMATIC



INPUT	0	1	2	3	4	5	6	7	8	9	OUTPUT
U 2 TITLE MAINTENANCE TEST SW'S AND BIT RESET-CLEAR PB SW'S M- 11167988AE											U 2
U 4 DRAWN BY R B HENNIG											U 4
U 6 UNIT NAME & USEC CORE MEMORY UNIT											U 6
U 8 SYSTEM R5000											U 8

CHECKED BY J E WOLLUM

UNIT NO. 11154119

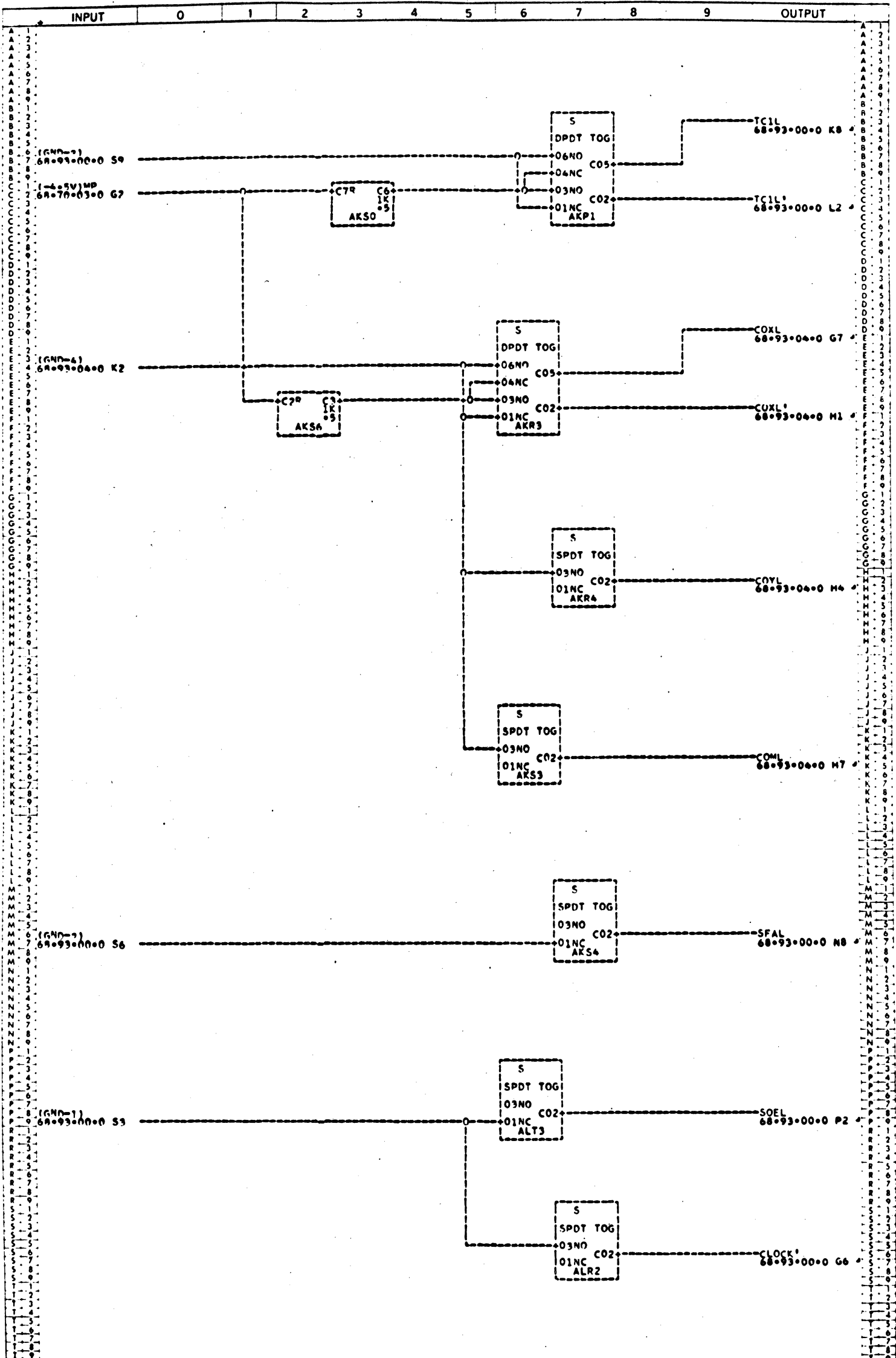
PAGE NO. 68-70-00-0

Burroughs Corporation

ELECTRODATA M&E DIVISION PASADENA CALIFORNIA

PROPERTY OF BURROUGHS CORPORATION NOT TO BE REPRODUCED NOR USED FOR MANUFACTURING PURPOSES EXCEPT ON BURROUGHS ORDER OR PRIOR WRITTEN CONSENT

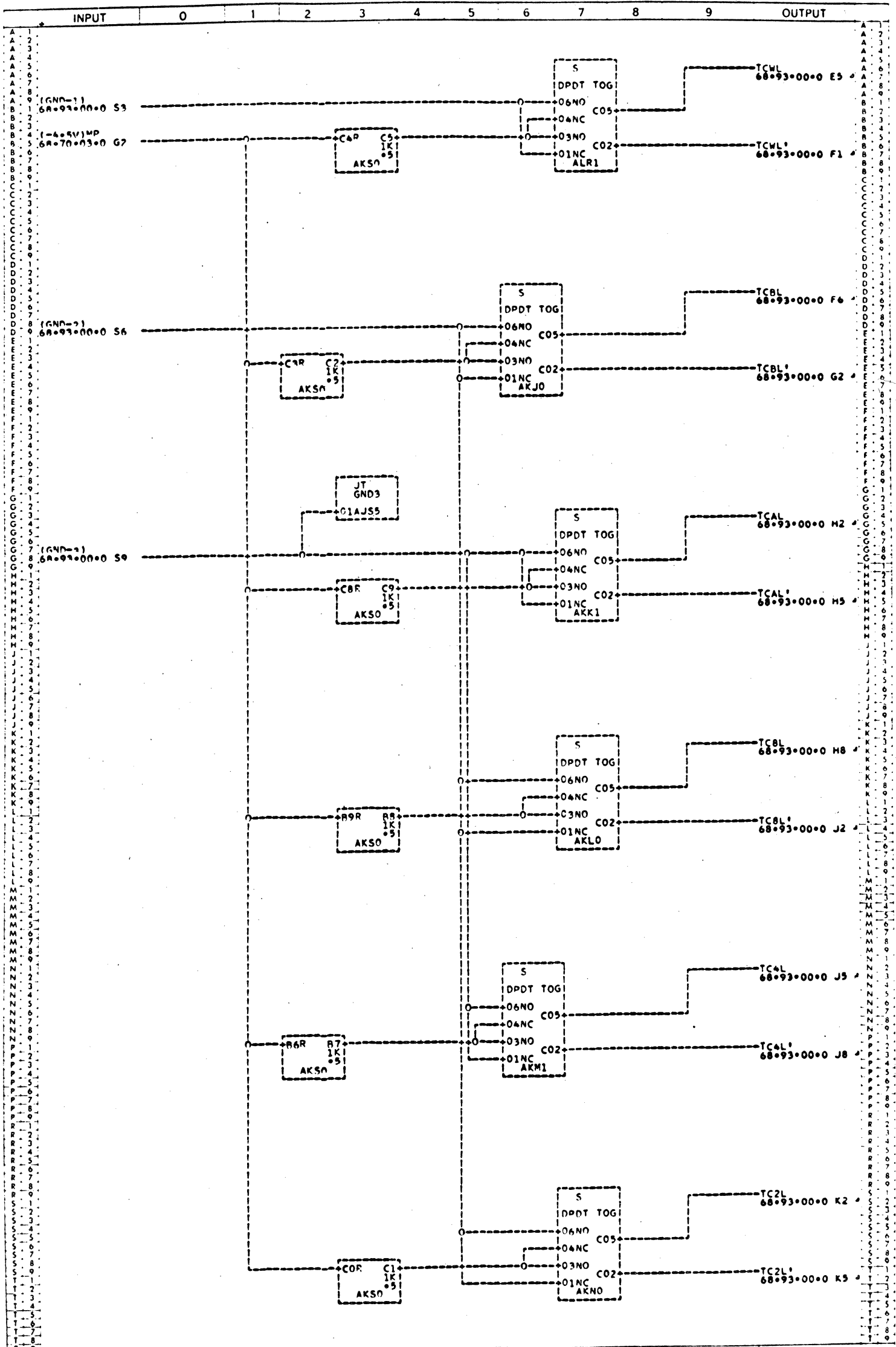
LOGIC SCHEMATIC



INPUT	0	1	2	3	4	5	6	7	8	9	OUTPUT
U 2	TITLE NO TOGGLE SW'S TC1L COXL COYL COML SFAL SOEL M- 11167996AC										U 2
U 4	DRAWN BY TFD ? CHECKED BY J E WOLLIM										U 4
U 6	UNIT NAME & ISEC CORE MEMORY UNIT UNIT NO. 11154119										U 6
U 8	SYSTEM P3000 PAGE NO. 68-70-01-0										U 8

Burrhoughs Corporation
 ELECTRODATA M&E DIVISION PASADENA CALIFORNIA
PROPERTY OF BURROUGHS CORPORATION NOT TO BE REPRODUCED, NOR USED FOR MANUFACTURING PURPOSES EXCEPT ON BURROUGHS ORDER OR PRIOR WRITTEN CONSENT

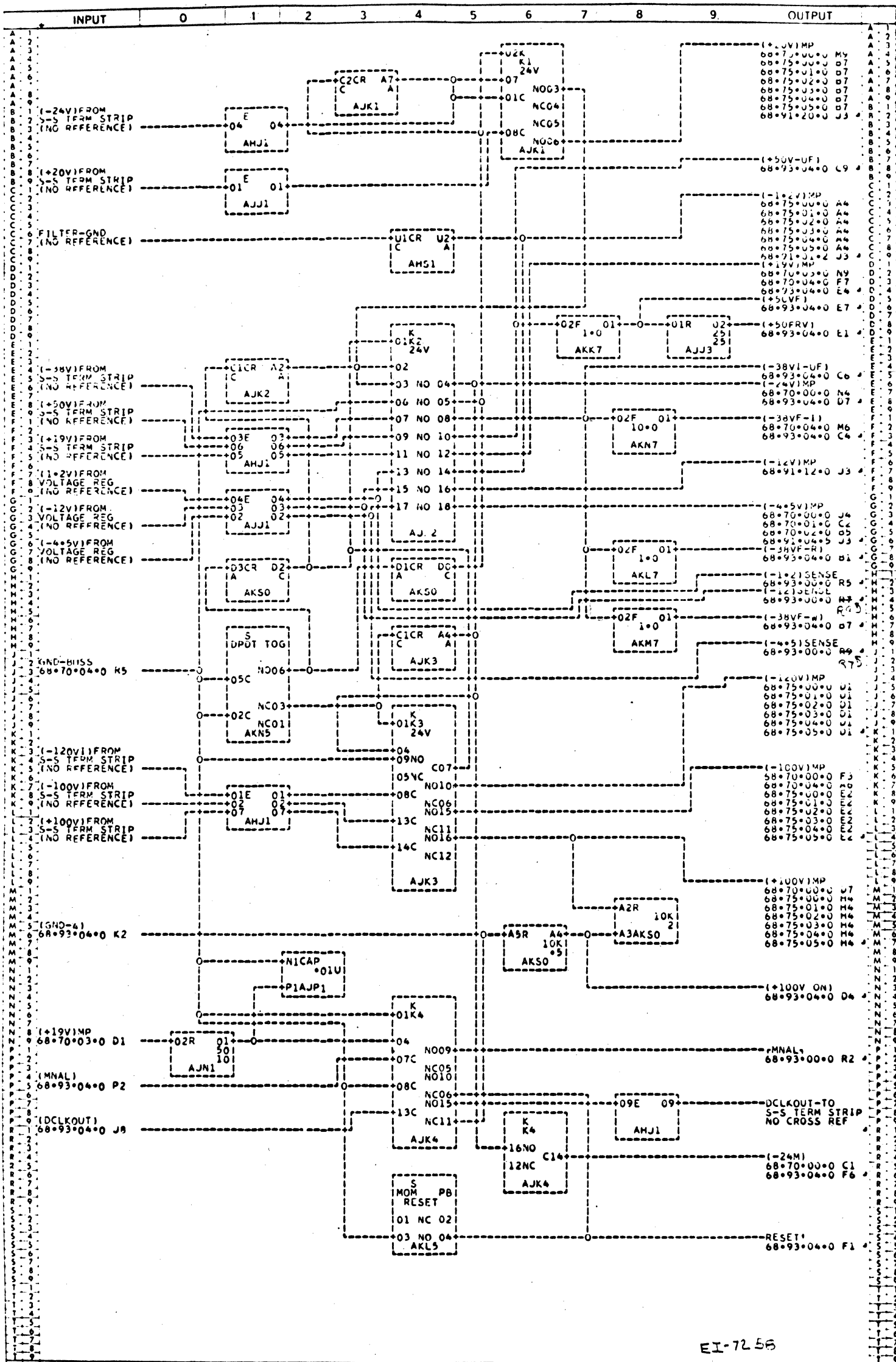
LOGIC SCHEMATIC



INPUT	0	1	2	3	4	5	6	7	8	9	OUTPUT
U 2 TITLE	PATTERN CONTROL TOGGLE SW'S TCWL TCBL THRU TC2L M- 1116802AC										U 2
U 4 DRAWN BY	TFD 7 CHECKED BY J E WOLLUM										U 4
U 6 UNIT NAME & USFC CORE MEMORY UNIT	UNIT NO. 11154119										U 6
U 8 SYSTEM #5000	PAGE NO. 6A-70-02-0										U 8

Burroughs Corporation
 ELECTRODATA M&E DIVISION PASADENA CALIFORNIA
PROPERTY OF BURROUGHS CORPORATION NOT TO BE REPRODUCED, NOR USED FOR MANUFACTURING PURPOSES EXCEPT ON BURROUGHS ORDER OR PRIOR WRITTEN CONSENT

LOGIC SCHEMATIC



EI-7255

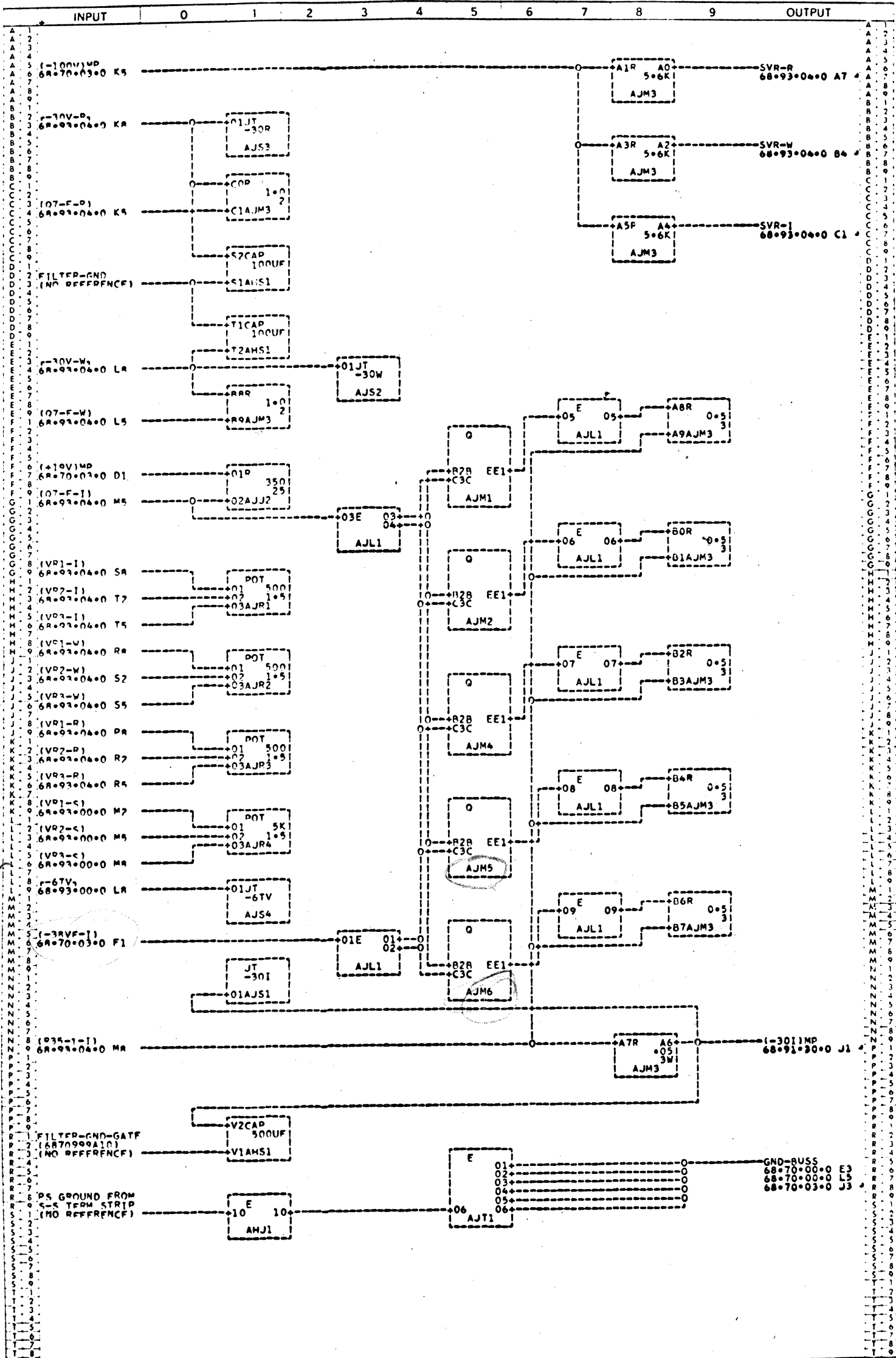
INPUT	0	1	2	3	4	5	6	7	8	9	OUTPUT
U 2 TITLE MAINTENANCE PANEL POWER CONTROL RELAYS K1 THRU K4 M- 11168010AE											U 2
U 4 DRAWN BY J S GIANOULIS											U 4
U 6 UNIT NAME 4 USEC CORE MEMORY UNIT											U 6
U 8 SYSTEM B5000											U 8

Burroughs Corporation

ELECTRODATA M & E DIVISION PASADENA CALIFORNIA

PROPERTY OF BURROUGHS CORPORATION NOT TO BE REPRODUCED, NOR USED FOR MANUFACTURING PURPOSES EXCEPT ON BURROUGHS ORDER OR PRIOR WRITTEN CONSENT

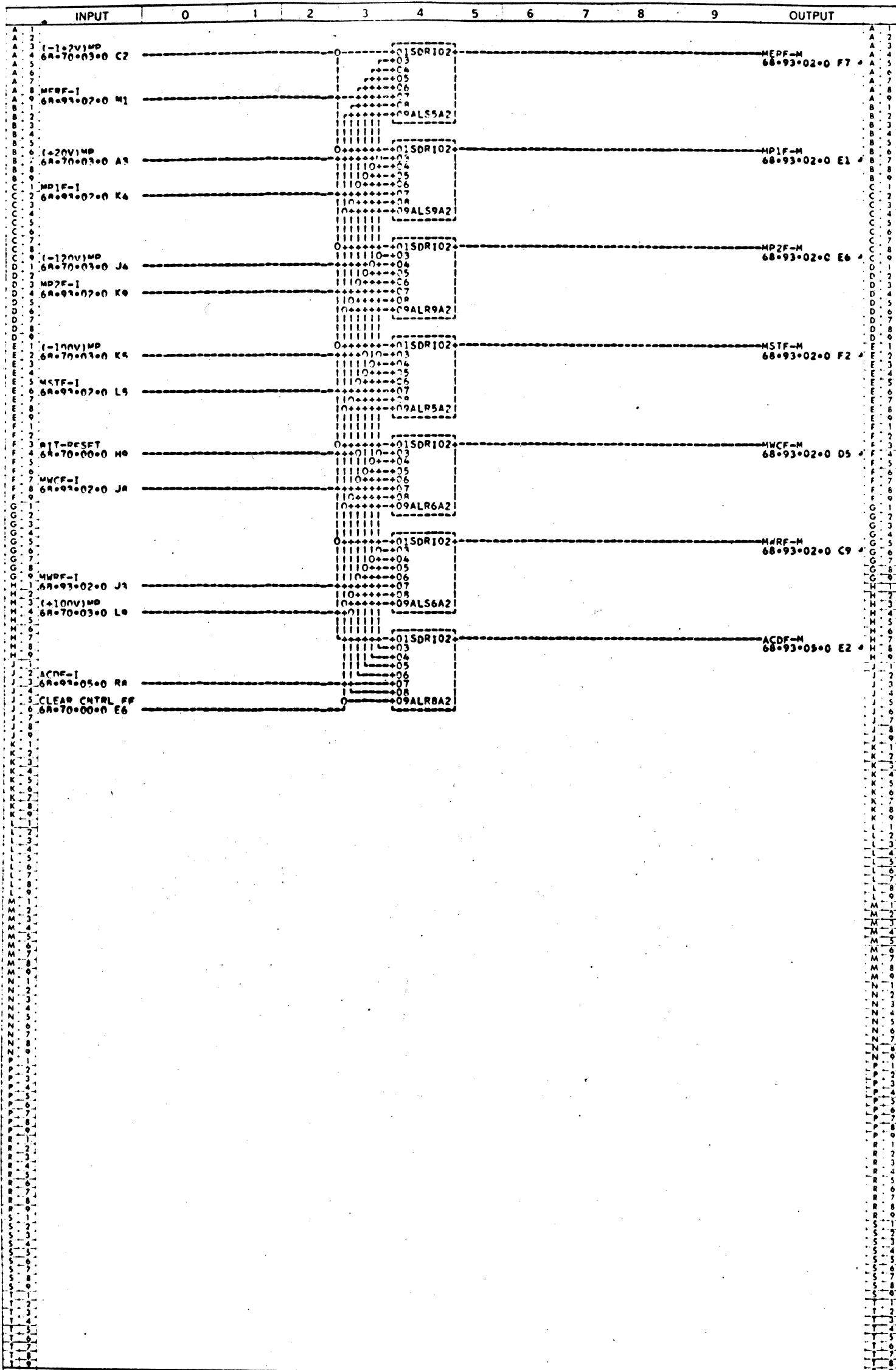
LOGIC SCHEMATIC



INPUT	0	1	2	3	4	5	6	7	8	9	OUTPUT
U 2 TITLE MAINTENANCE PANEL -301 W AND R REG CKT AND TPS M- 11168028AE											
U 4 DRAWN BY J S GIANOULIS											
U 6 UNIT NAME & USFC CORE MEMORY UNIT											
U 8 SYSTEM R5000											

ELECTRODATA **Burroughs Corporation** PASADENA CALIFORNIA
 M&E DIVISION
 PROPERTY OF BURROUGHS CORPORATION NOT TO BE REPRODUCED NOR USED FOR MANUFACTURING PURPOSES (EXCEPT ON BURROUGHS ORDER OR PRIOR WRITTEN CONSENT)

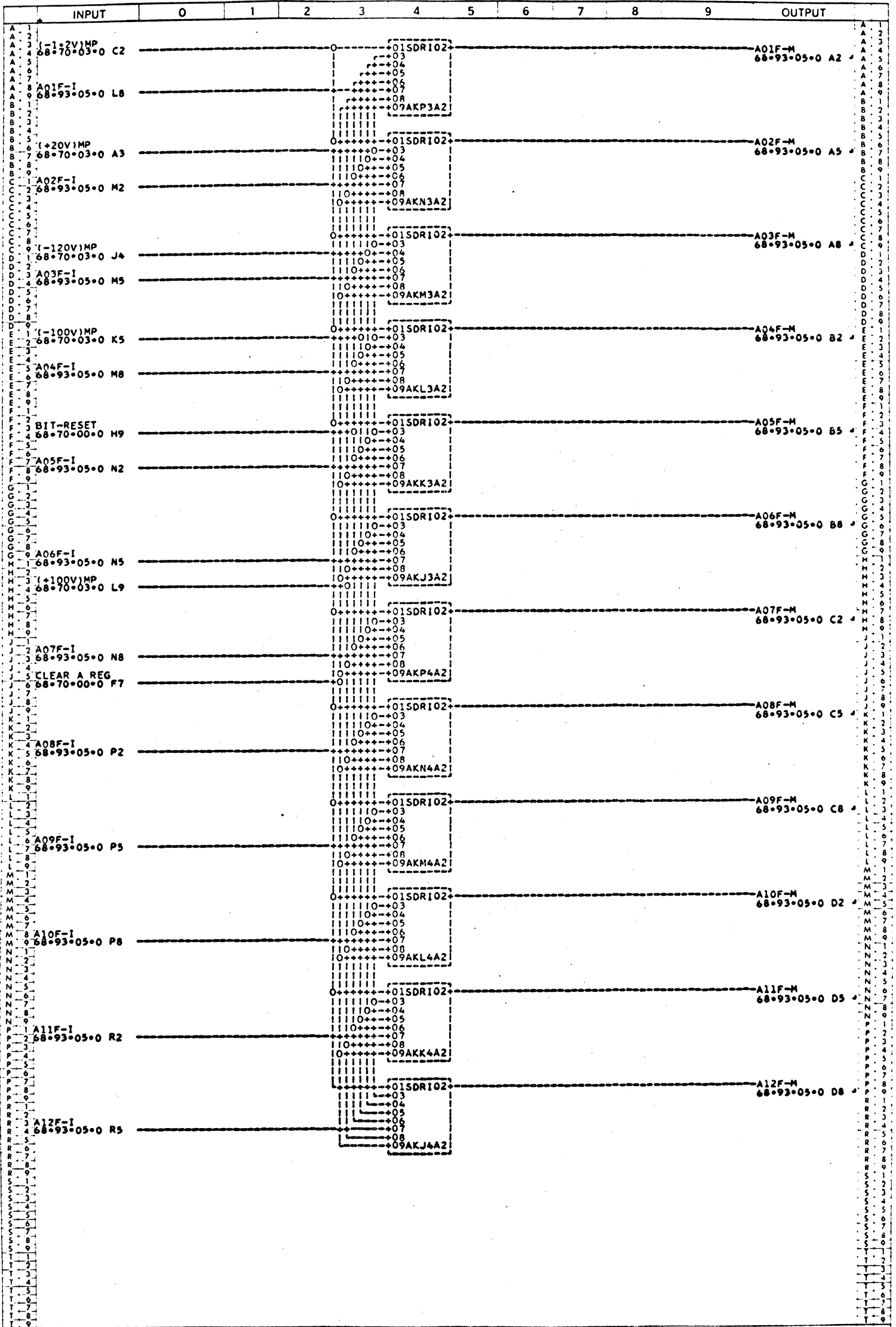
LOGIC SCHEMATIC



INPUT	0	1	2	3	4	5	6	7	8	9	OUTPUT	
U 2	TITLE INDICATOR SWITCHES MERF MP1F MP2F MSTF MWCF MWF M-										11168036AC	U 2
U 4	DRAWN BY R B MENNIG										CHECKED BY J E WOLLUM	U 4
U 6	UNIT NAME & USEC CORE MEMORY UNIT										UNIT NO. 11154119	U 6
U 8	SYSTEM R5000										PAGE NO. 68-75-00-0	U 8

ELECTRODATA **B**

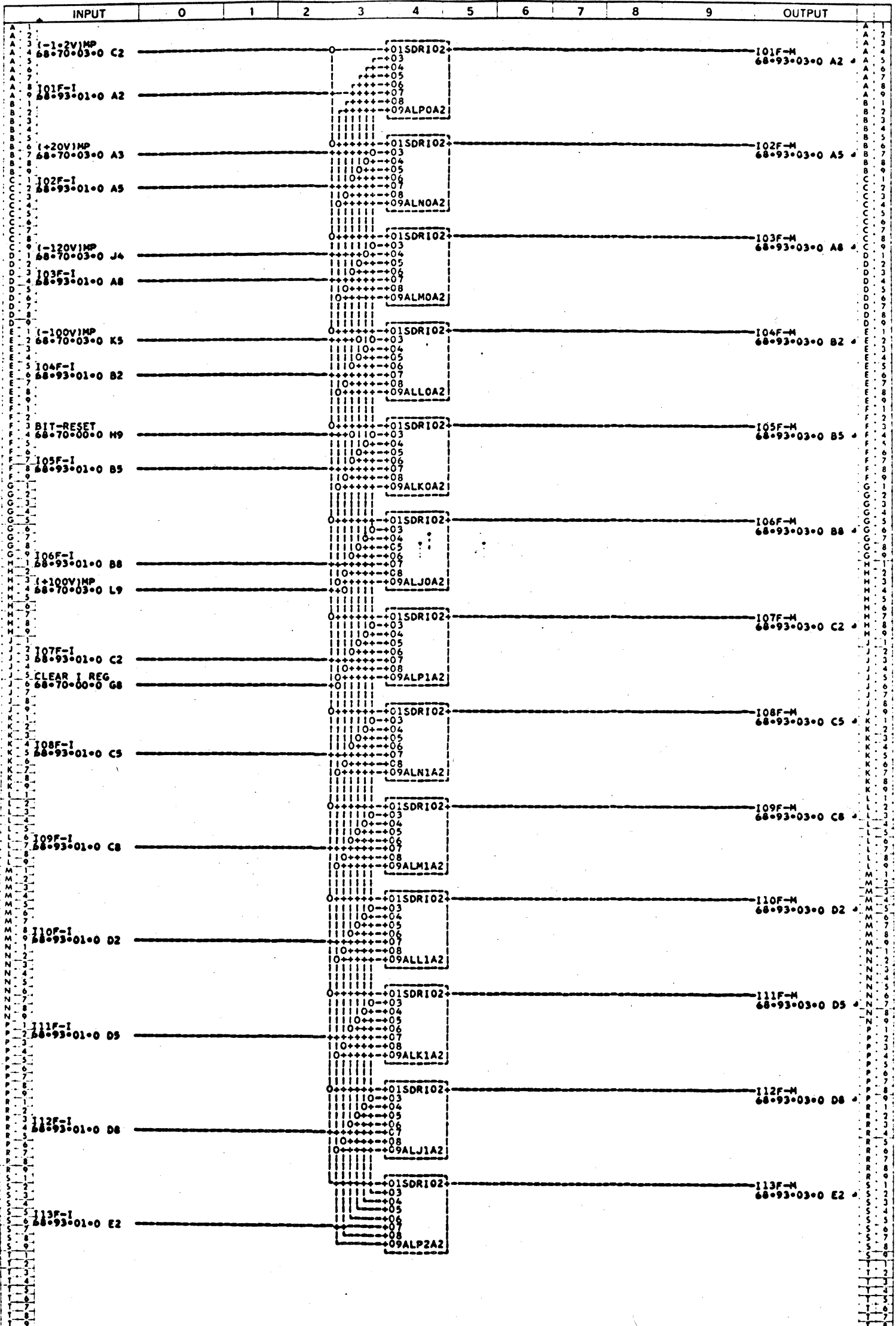
LOGIC SCHEMATIC



INPUT	0	1	2	3	4	5	6	7	8	9	OUTPUT
U 2 TITLE INDICATOR SWITCHES A01F THRU A12F											U 2
U 4 DRAWN BY R B HENNIG											U 4
U 6 UNIT NAME & USEC CORE MEMORY UNIT											U 6
U 8 SYSTEM B5000											U 8

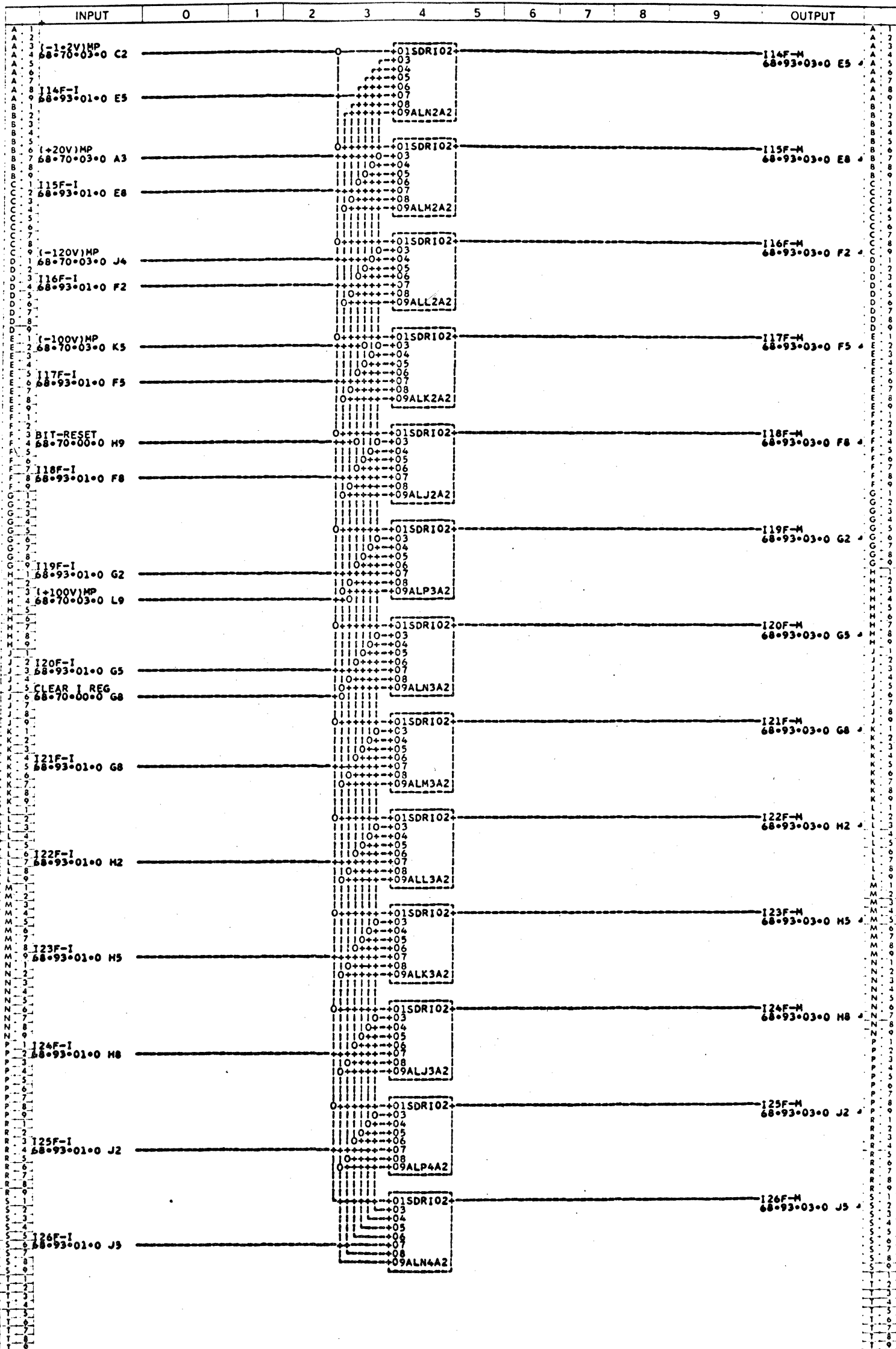
ELECTRODATA M&E DIVISION **Burroughs Corporation** PASADENA CALIFORNIA
 PROPERTY OF BURROUGHS CORPORATION NOT TO BE REPRODUCED, NOR USED FOR MANUFACTURING PURPOSES EXCEPT ON BURROUGHS ORDER OR PRIOR WRITTEN CONSENT

LOGIC SCHEMATIC



INPUT	0	1	2	3	4	5	6	7	8	9	OUTPUT												
<table style="width: 100%; border: none;"> <tr> <td style="width: 40%;">U 2 TITLE INDICATOR SWITCHES 101F THRU 113F</td> <td style="width: 20%; text-align: center;">M- 11168091AC</td> <td style="width: 40%; text-align: right;">ELECTRODATA M & E DIVISION</td> </tr> <tr> <td>U 4 DRAWN BY TED Z</td> <td style="text-align: center;">CHECKED BY J E WOLLUM</td> <td style="text-align: right;">Burrage Corporation PASADENA CALIFORNIA</td> </tr> <tr> <td>U 6 UNIT NAME & USEC CORE MEMORY UNIT</td> <td style="text-align: center;">UNIT NO. 11154119</td> <td style="text-align: right;">PROPERTY OF BURROUGHS CORPORATION NOT TO BE REPRODUCED, NOR USED FOR MANUFACTURING PURPOSES EXCEPT ON BURROUGHS ORDER OR PRIOR WRITTEN CONSENT</td> </tr> <tr> <td>U 8 SYSTEM B5000</td> <td style="text-align: center;">PAGE NO. 68-73-02-0</td> <td style="text-align: right;">U 2 U 4 U 6 U 8</td> </tr> </table>												U 2 TITLE INDICATOR SWITCHES 101F THRU 113F	M- 11168091AC	ELECTRODATA M & E DIVISION	U 4 DRAWN BY TED Z	CHECKED BY J E WOLLUM	Burrage Corporation PASADENA CALIFORNIA	U 6 UNIT NAME & USEC CORE MEMORY UNIT	UNIT NO. 11154119	PROPERTY OF BURROUGHS CORPORATION NOT TO BE REPRODUCED, NOR USED FOR MANUFACTURING PURPOSES EXCEPT ON BURROUGHS ORDER OR PRIOR WRITTEN CONSENT	U 8 SYSTEM B5000	PAGE NO. 68-73-02-0	U 2 U 4 U 6 U 8
U 2 TITLE INDICATOR SWITCHES 101F THRU 113F	M- 11168091AC	ELECTRODATA M & E DIVISION																					
U 4 DRAWN BY TED Z	CHECKED BY J E WOLLUM	Burrage Corporation PASADENA CALIFORNIA																					
U 6 UNIT NAME & USEC CORE MEMORY UNIT	UNIT NO. 11154119	PROPERTY OF BURROUGHS CORPORATION NOT TO BE REPRODUCED, NOR USED FOR MANUFACTURING PURPOSES EXCEPT ON BURROUGHS ORDER OR PRIOR WRITTEN CONSENT																					
U 8 SYSTEM B5000	PAGE NO. 68-73-02-0	U 2 U 4 U 6 U 8																					

LOGIC SCHEMATIC



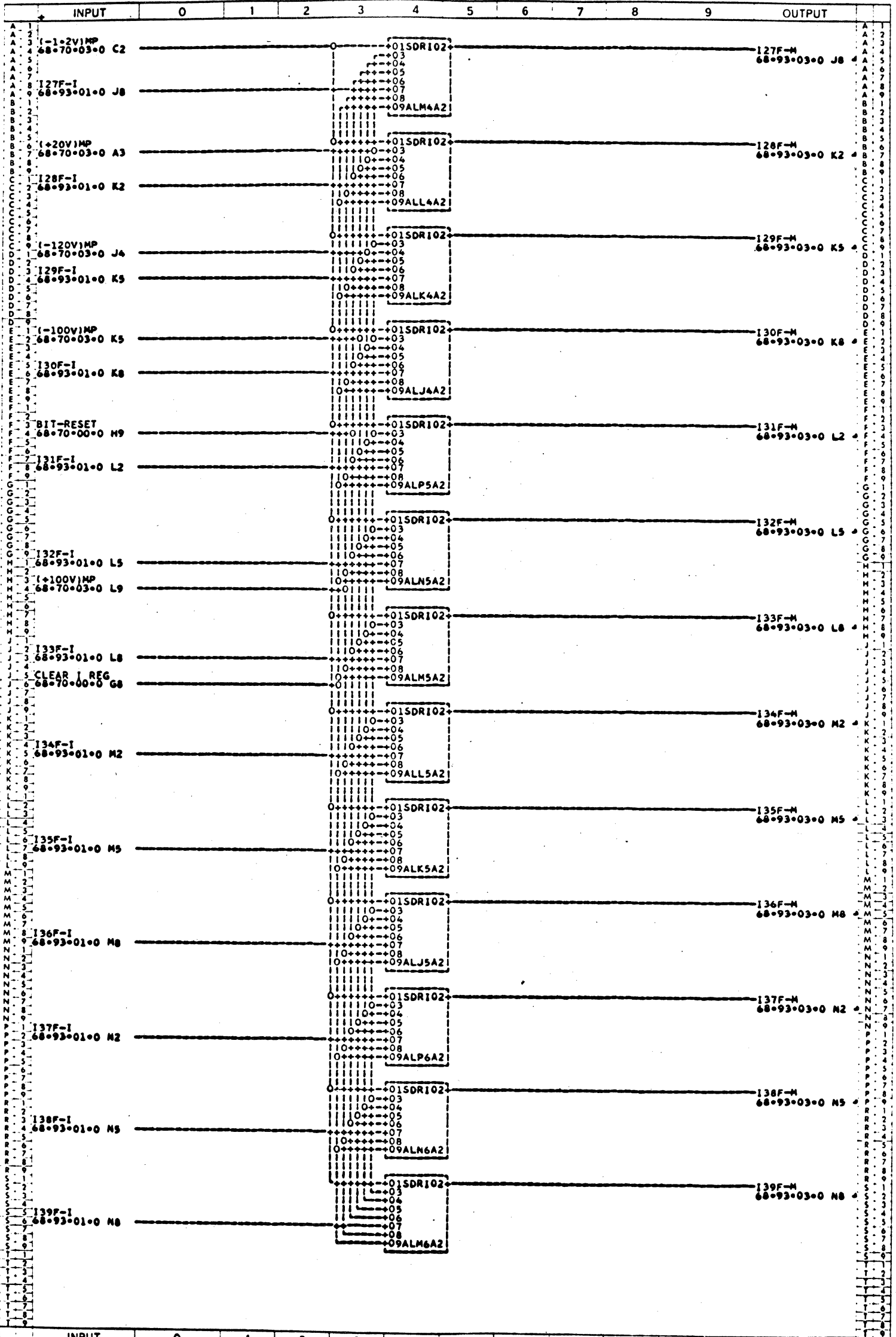
INPUT	0	1	2	3	4	5	6	7	8	9	OUTPUT	
U 2 TITLE INDICATOR SWITCHES 114F THRU 126F												U 2
U 4 DRAWN BY TED Z												U 4
U 6 UNIT NAME & USEC CORE MEMORY UNIT												U 6
U 8 SYSTEM B5000												U 8

M- 11168069AC
CHECKED BY J E WOLLUM
UNIT NO. 11194119
PAGE NO. 68-75-03-0

ELECTRODATA M & E DIVISION	Burroughs Corporation	PASADENA CALIFORNIA
-------------------------------	-----------------------	------------------------

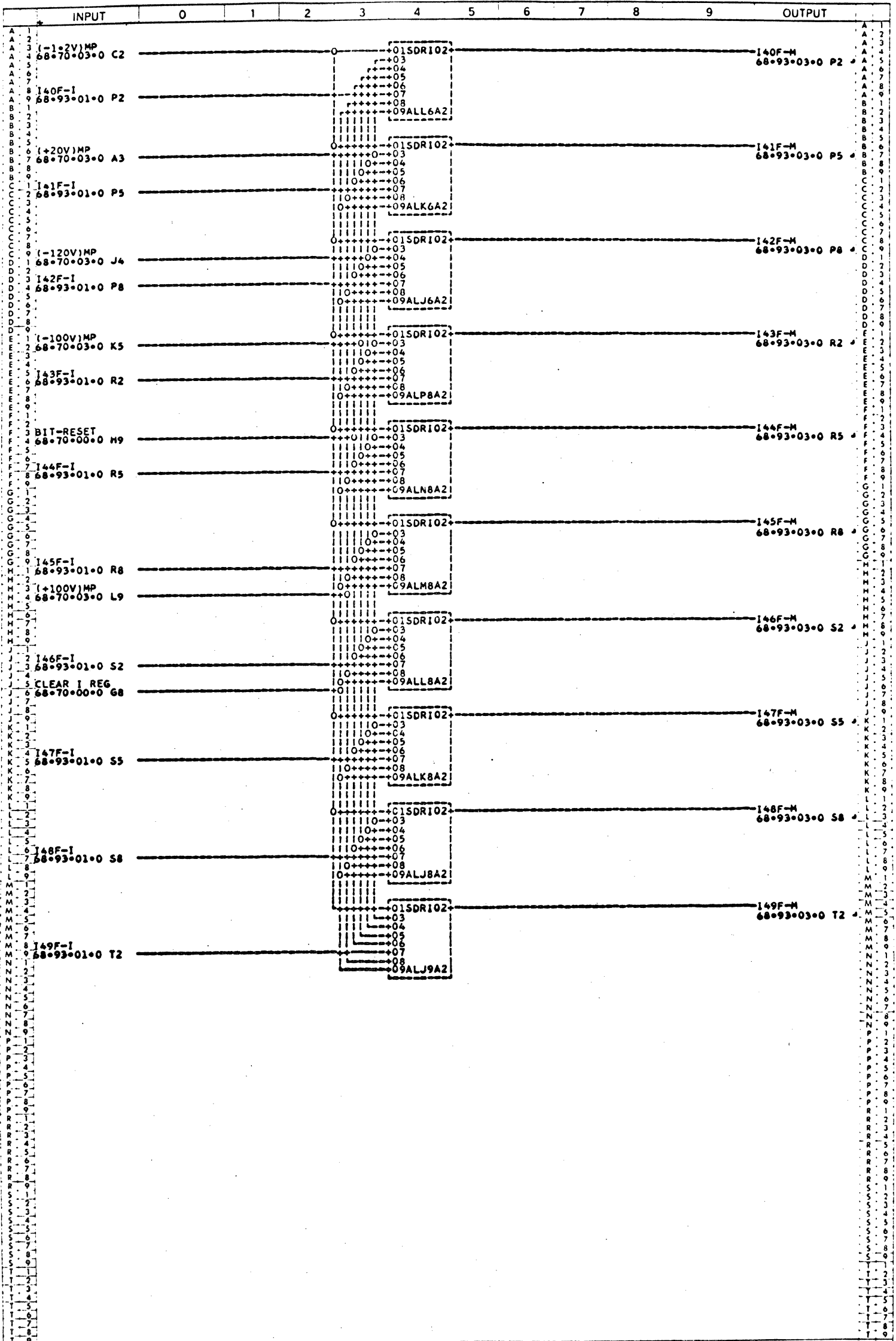
PROPERTY OF BURROUGHS CORPORATION NOT TO BE REPRODUCED, NOR USED FOR MANUFACTURING PURPOSES EXCEPT ON BURROUGHS ORDER OR PRIOR WRITTEN CONSENT

LOGIC SCHEMATIC



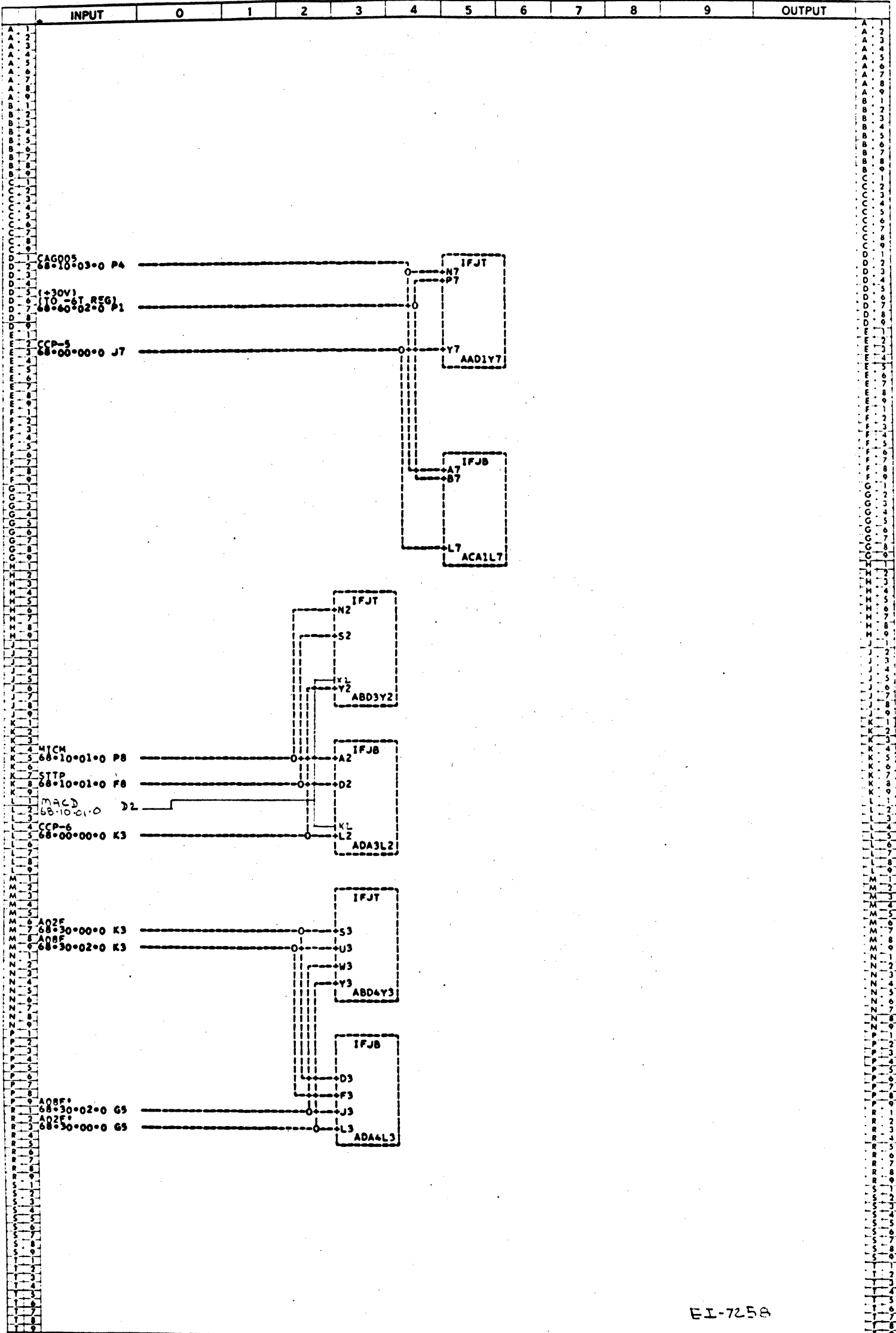
U 2	TITLE	INDICATOR SWITCHES 127F THRU 139F	M- 11168077A8	ELECTRODATA	Burroughs Corporation	PASADENA	U 2
U 4	DRAWN BY	TED Z	CHECKED BY	J E WOLLUM	3	CALIFORNIA	U 4
U 6	UNIT NAME & USEC CORE MEMORY UNIT		UNIT NO.	11154119	PROPERTY OF BURROUGHS CORPORATION NOT TO BE REPRODUCED, NOR USED FOR MANUFACTURING PURPOSES EXCEPT ON BURROUGHS ORDER OR PRIOR WRITTEN CONSENT		U 6
U 8	SYSTEM	B5000	PAGE NO.	68-75-04-0			U 8

LOGIC SCHEMATIC



INPUT	0	1	2	3	4	5	6	7	8	9	OUTPUT												
<table style="width: 100%; border: none;"> <tr> <td style="width: 40%;">U 2 TITLE INDICATOR SWITCHES I40F THRU I49F</td> <td style="width: 20%;">M- 11168085A8</td> <td style="width: 40%; text-align: right;">ELECTRODATA M & E DIVISION</td> </tr> <tr> <td>U 4 DRAWN BY TED Z</td> <td>CHECKED BY J E WOLLUM</td> <td style="text-align: right;">Burrroughs Corporation PASADENA CALIFORNIA</td> </tr> <tr> <td>U 6 UNIT NAME & USEC CORE MEMORY UNIT</td> <td>UNIT NO. 11154119</td> <td style="text-align: right; font-size: small;">PROPERTY OF BURROUGHS CORPORATION NOT TO BE REPRODUCED NOR USED FOR MANUFACTURING PURPOSES EXCEPT ON BURROUGHS ORDER OR PRIOR WRITTEN CONSENT</td> </tr> <tr> <td>U 8 SYSTEM B5000</td> <td>PAGE NO. 68-75-05-00</td> <td></td> </tr> </table>												U 2 TITLE INDICATOR SWITCHES I40F THRU I49F	M- 11168085A8	ELECTRODATA M & E DIVISION	U 4 DRAWN BY TED Z	CHECKED BY J E WOLLUM	Burrroughs Corporation PASADENA CALIFORNIA	U 6 UNIT NAME & USEC CORE MEMORY UNIT	UNIT NO. 11154119	PROPERTY OF BURROUGHS CORPORATION NOT TO BE REPRODUCED NOR USED FOR MANUFACTURING PURPOSES EXCEPT ON BURROUGHS ORDER OR PRIOR WRITTEN CONSENT	U 8 SYSTEM B5000	PAGE NO. 68-75-05-00	
U 2 TITLE INDICATOR SWITCHES I40F THRU I49F	M- 11168085A8	ELECTRODATA M & E DIVISION																					
U 4 DRAWN BY TED Z	CHECKED BY J E WOLLUM	Burrroughs Corporation PASADENA CALIFORNIA																					
U 6 UNIT NAME & USEC CORE MEMORY UNIT	UNIT NO. 11154119	PROPERTY OF BURROUGHS CORPORATION NOT TO BE REPRODUCED NOR USED FOR MANUFACTURING PURPOSES EXCEPT ON BURROUGHS ORDER OR PRIOR WRITTEN CONSENT																					
U 8 SYSTEM B5000	PAGE NO. 68-75-05-00																						

LOGIC SCHEMATIC



EI-7258

	INPUT	0	1	2	3	4	5	6	7	8	9	OUTPUT
U 2	TITLE INTER-FRAME JUMPERS											M- 11168093AD
U 4	DRAWN BY TED Z											CHECKED BY J E WOLLUM
U 6	UNIT NAME 4 USEC CORE MEMORY UNIT											UNIT NO. 11194119
U 8	SYSTEM 85000											PAGE NO. 68-90-00-0

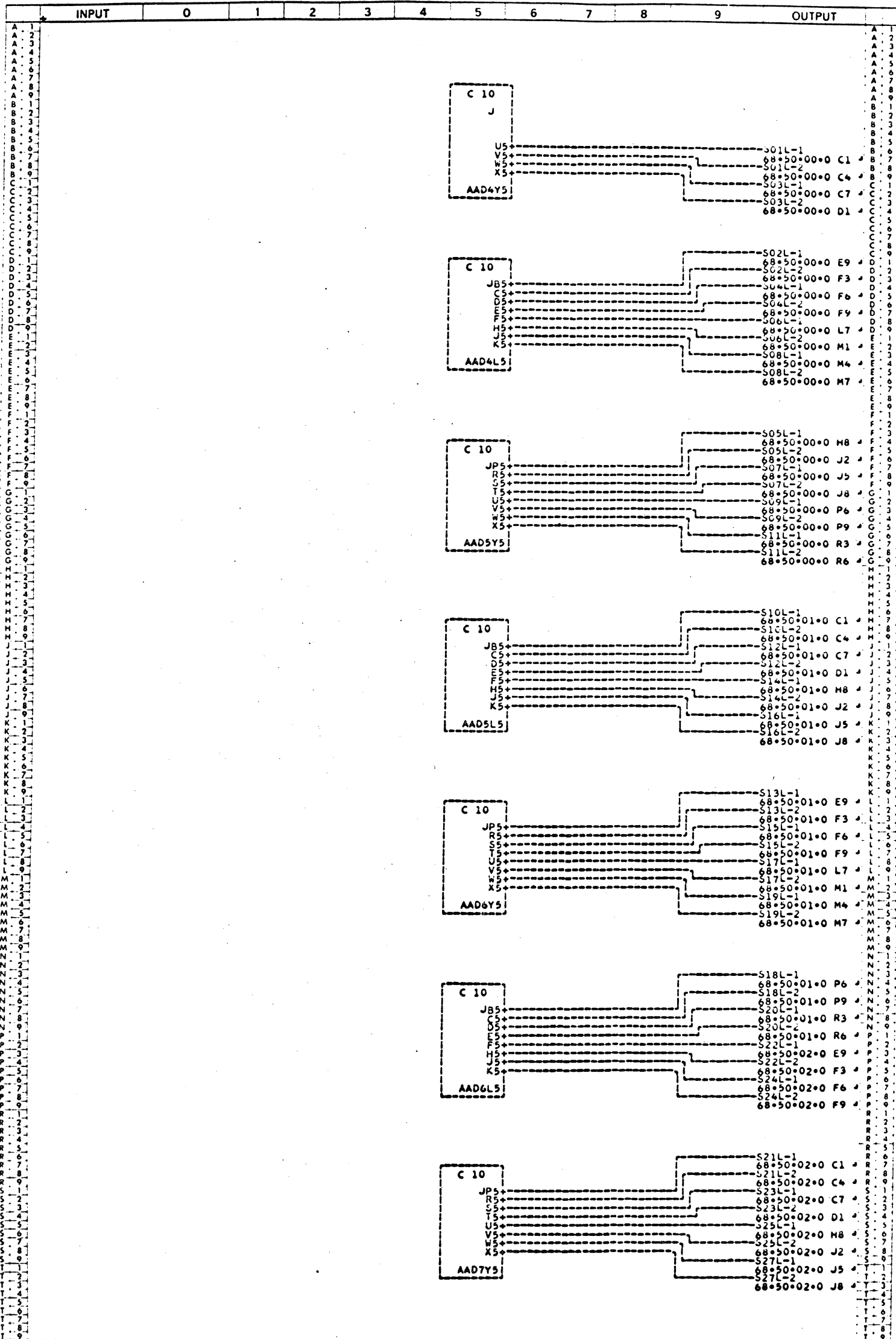
ELECTRODATA
M & E DIVISION

Burrage Corporation

PASADENA
CALIFORNIA

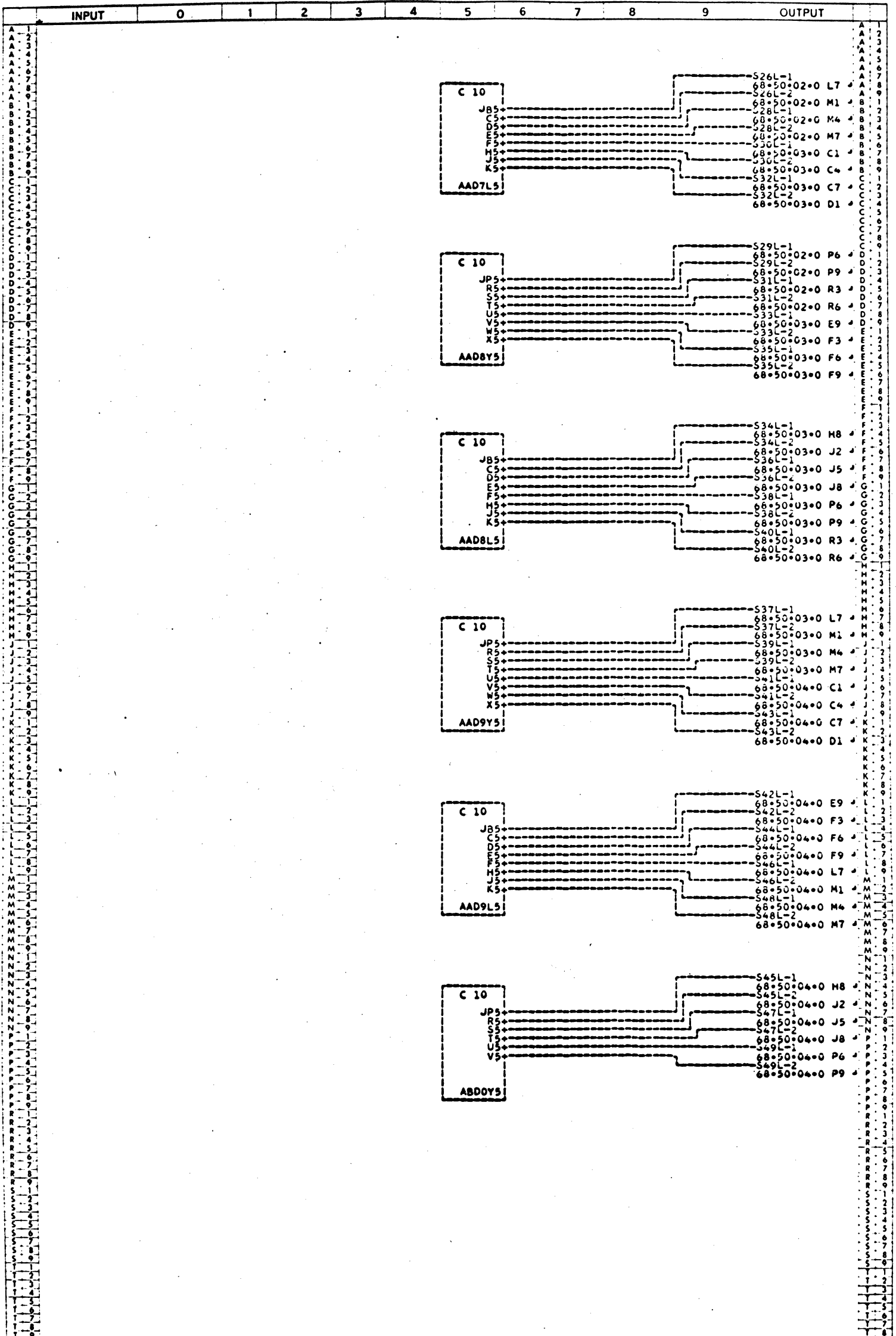
PROPERTY OF BURROUGHS CORPORATION NOT TO BE REPRODUCED, NOR USED FOR MANUFACTURING PURPOSES EXCEPT ON BURROUGHS ORDER OR PRIOR WRITTEN CONSENT

LOGIC SCHEMATIC



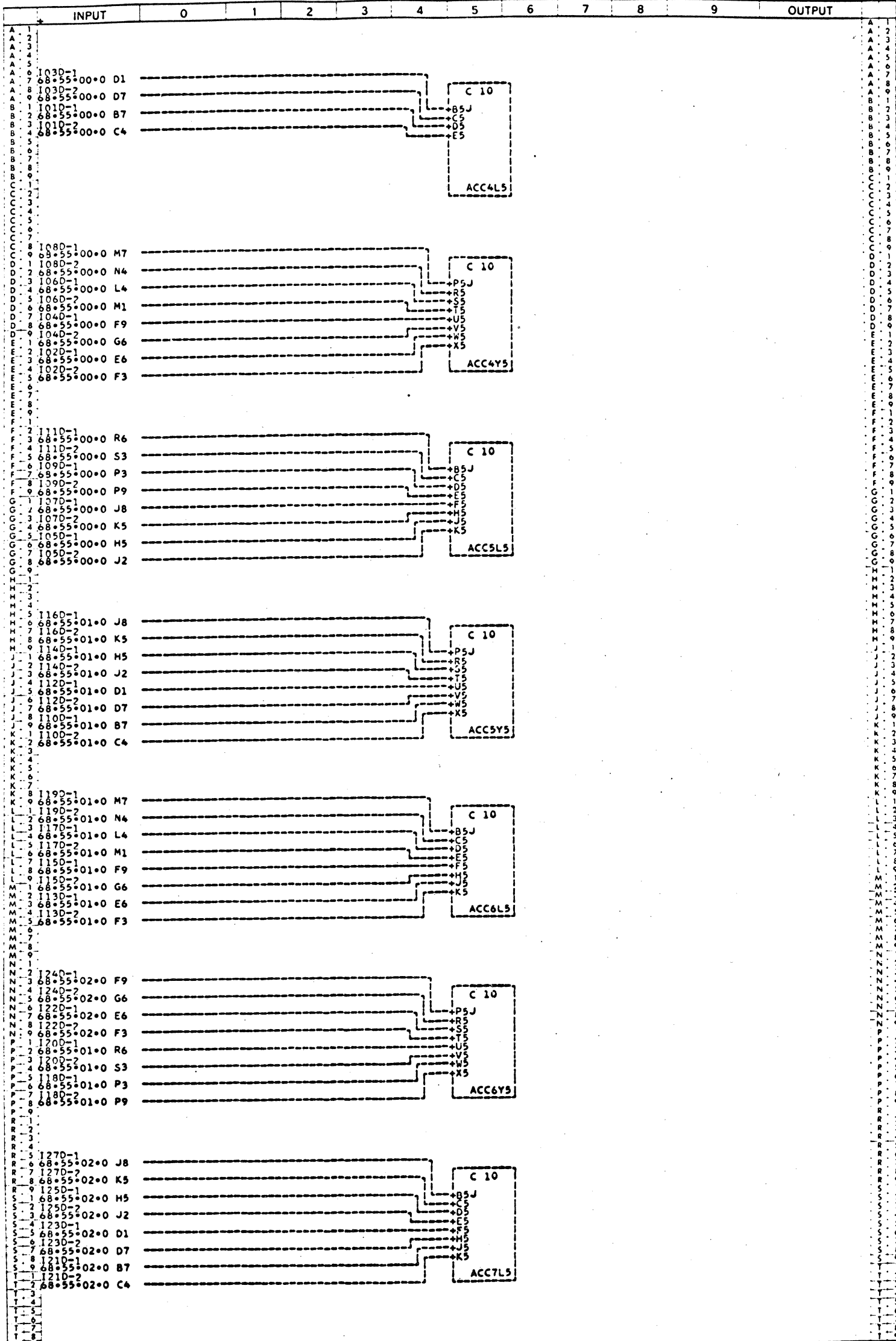
INPUT	0	1	2	3	4	5	6	7	8	9	OUTPUT
U 2	TITLE SENSE AMP CONNECTORS S01L-1 THRU S27L-2										U 2
U 4	DRAWN BY J S GIANOULIS										U 4
U 6	UNIT NAME & USEC CORE MEMORY UNIT										U 6
U 8	SYSTEM B5000										U 8
						M- 11168101AA					
						CHECKED BY J E WOLLUM					
						UNIT NO. 11194119					
						PAGE NO. 68-90-01-0					
						ELECTRODATA		Burroughs Corporation		PASADENA CALIFORNIA	
PROPERTY OF BURROUGHS CORPORATION NOT TO BE REPRODUCED, NOR USED FOR MANUFACTURING PURPOSES EXCEPT ON BURROUGHS ORDER OR PRIOR WRITTEN CONSENT											

LOGIC SCHEMATIC



800 1467-1 REV 0-60

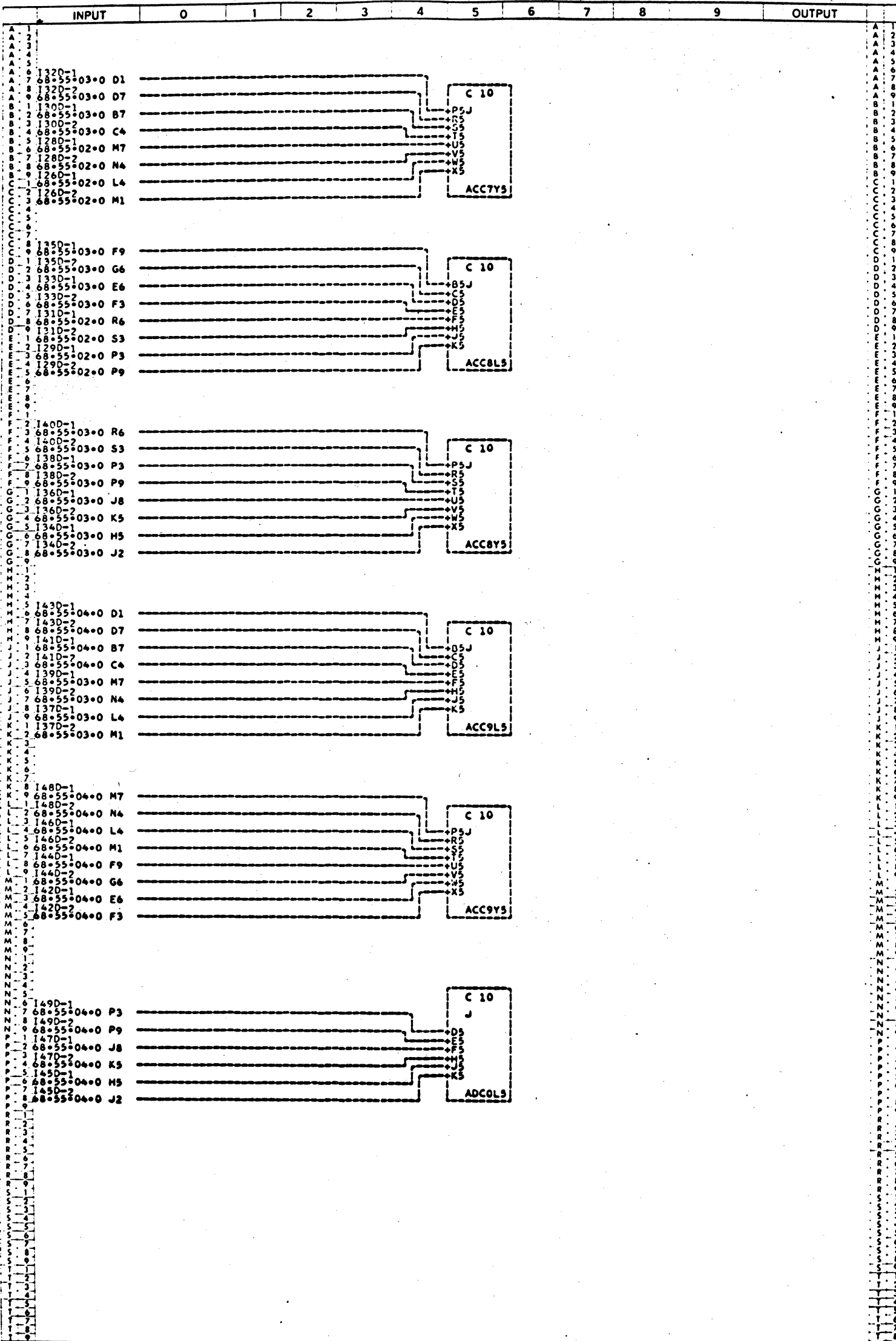
LOGIC SCHEMATIC



INPUT	0	1	2	3	4	5	6	7	8	9	OUTPUT
U 2	TITLE INHIBIT DRIVERS CONNECTORS 1010-1 THRU 1270-2 M- 11168127AA										U 2
U 4	DRAWN BY J S GIANOULIS CHECKED BY J E WOLLUM										U 4
U 6	UNIT NAME 4 USEC CORE MEMORY UNIT UNIT NO. 11154119										U 6
U 8	SYSTEM 85000 PAGE NO. 68-90-03-0										U 8

ELECTRODATA M&E DIVISION **Burroughs Corporation** PASADENA CALIFORNIA
PROPERTY OF BURROUGHS CORPORATION NOT TO BE REPRODUCED, NOR USED FOR MANUFACTURING PURPOSES EXCEPT ON BURROUGHS ORDER OR PRIOR WRITTEN CONSENT

LOGIC SCHEMATIC

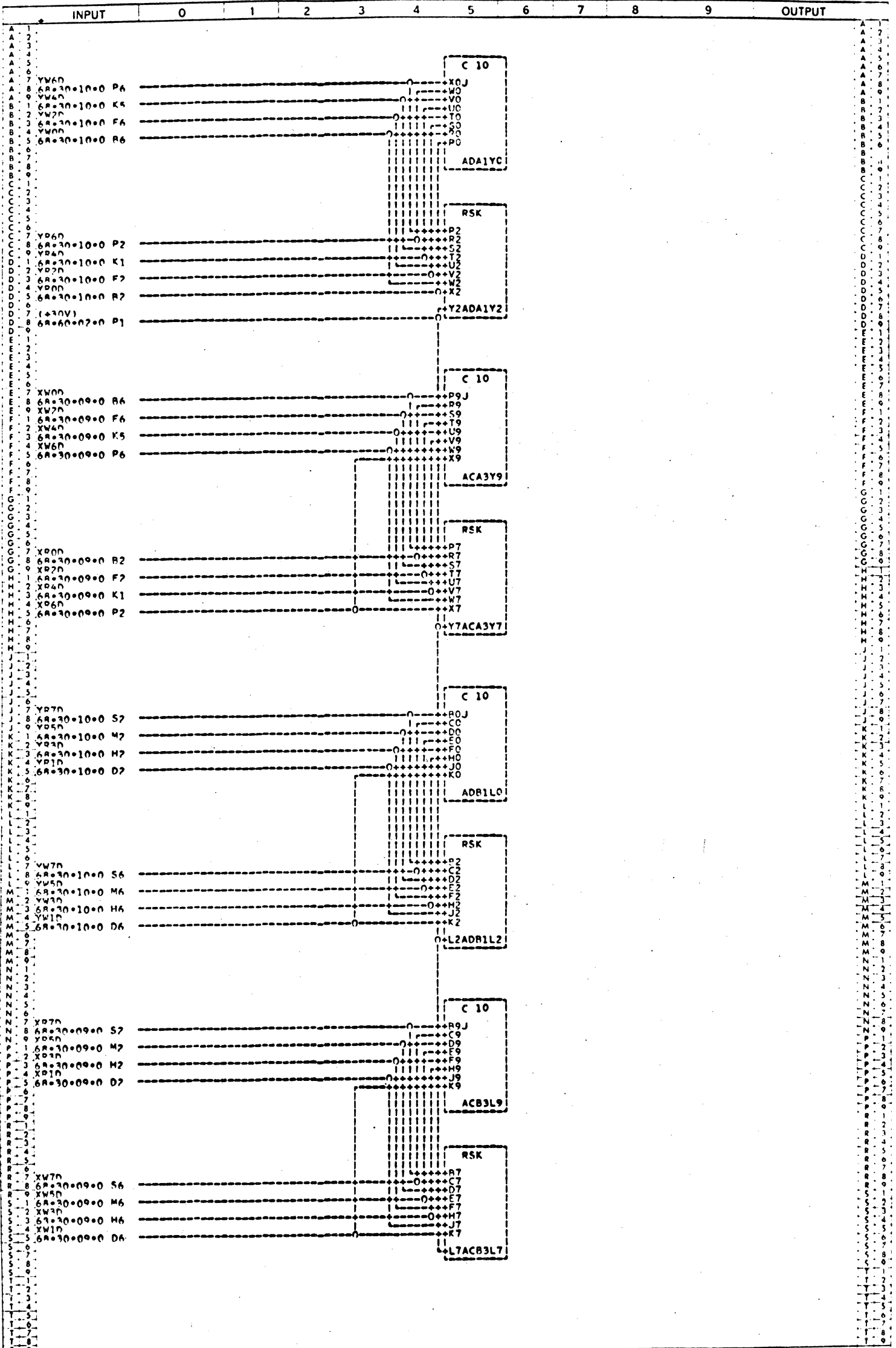


U 2	TITLE INHIBIT DRIVER CONNECTORS 1320-1 THRU 1490-2	H- 11168135AA									U 2
U 4	DRAWN BY J S GIANOULIS	CHECKED BY J E WOLLUM									U 4
U 6	UNIT NAME & USEC CORE MEMORY UNIT	UNIT NO. 11154119									U 6
U 8	SYSTEM 85000	PAGE NO. 4829010A20									U 8

500 1007-1 REV 3-68

ELECTRODATA M&E DIVISION	Burroughs Corporation 	PASADENA CALIFORNIA
PROPERTY OF BURROUGHS CORPORATION NOT TO BE REPRODUCED, NOR USED FOR MANUFACTURING PURPOSES EXCEPT ON BURROUGHS ORDER OR PRIOR WRITTEN CONSENT		

LOGIC SCHEMATIC

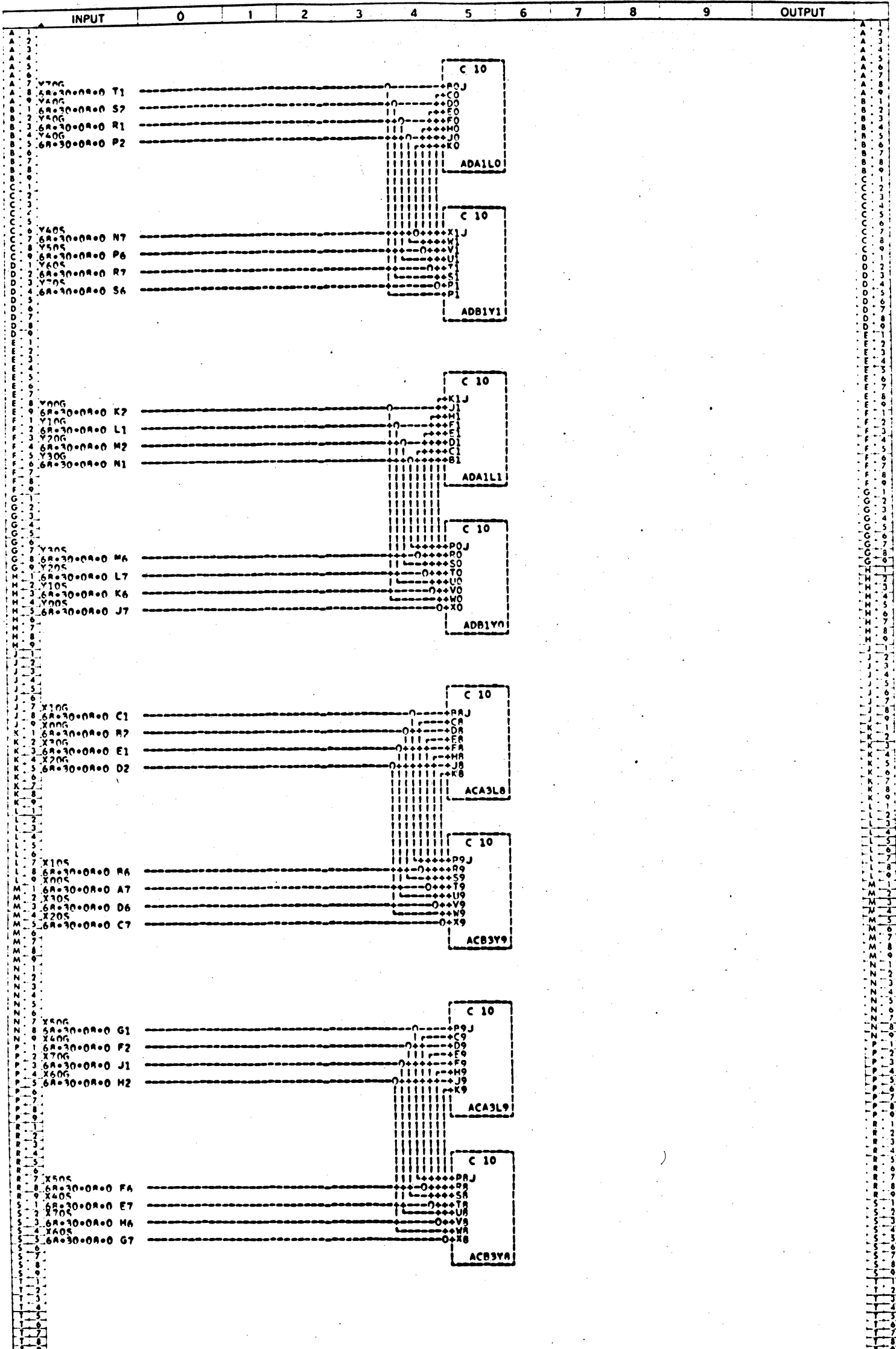


INPUT	0	1	2	3	4	5	6	7	8	9	OUTPUT
U 2 TITLE	X-Y READ-WRITE CURRENT CONNECTORS YW0D THRU YW7D M- 1116R143AC										U 2
U 4 DRAWN BY	J S GIANOULOS										U 4
U 6 UNIT NAME	4 ISPC CORE MEMORY UNIT										U 6
U 8 SYSTEM	R5000										U 8
	CHECKED BY J E WOLLUM										
	UNIT NO. 11154119										
	PAGE NO. 6R=90=09=0										

ELECTRODATA **Burroughs Corporation** **PASADENA CALIFORNIA**
 M & E DIVISION 3

PROPERTY OF BURROUGHS CORPORATION NOT TO BE REPRODUCED, NOR USED FOR MANUFACTURING PURPOSES EXCEPT ON BURROUGHS ORDER OR PRIOR WRITTEN CONSENT

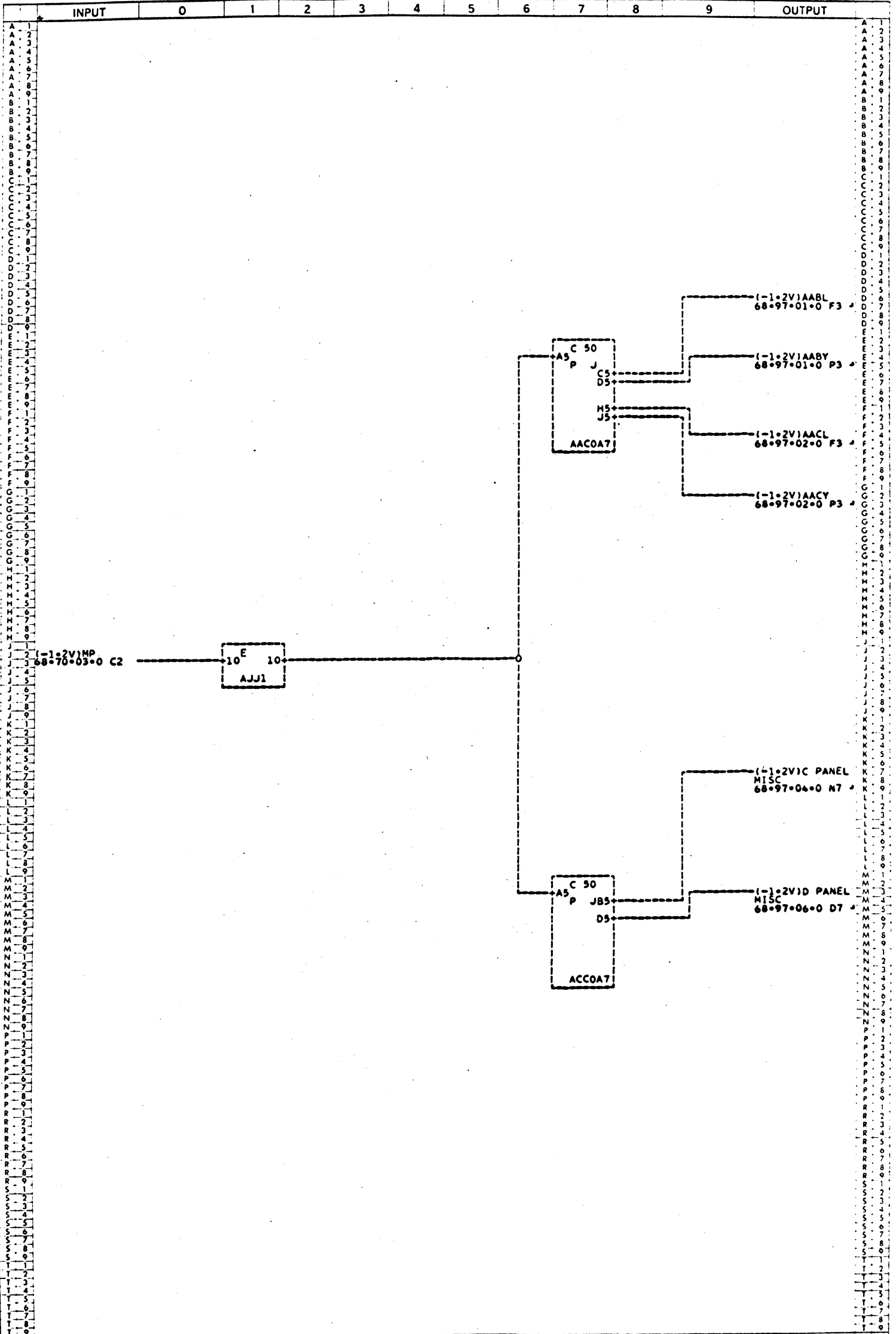
LOGIC SCHEMATIC



	INPUT	0	1	2	3	4	5	6	7	8	9	OUTPUT
U 2	TITLE X-Y ADDRESS SWITCH CONNECTORS (X00S THRU X70G) M- 11160150AE											U 2
U 4	DRAWN BY J S GIANOULIS CHECKED BY J E WOLLUM											U 4
U 6	UNIT NAME & USEC CORE MEMORY UNIT UNIT NO. 11154119											U 6
U 8	SYSTEM B5000 PAGE NO. 68-90-06-0											U 8

ELECTRODATA **Burroughs Corporation** PASADENA CALIFORNIA
M&E DIVISION PROPERTY OF BURROUGHS CORPORATION NOT TO BE REPRODUCED NOR USED FOR MANUFACTURING PURPOSES EXCEPT ON BURROUGHS ORDER OR PRIOR WRITTEN COMMENT

LOGIC SCHEMATIC

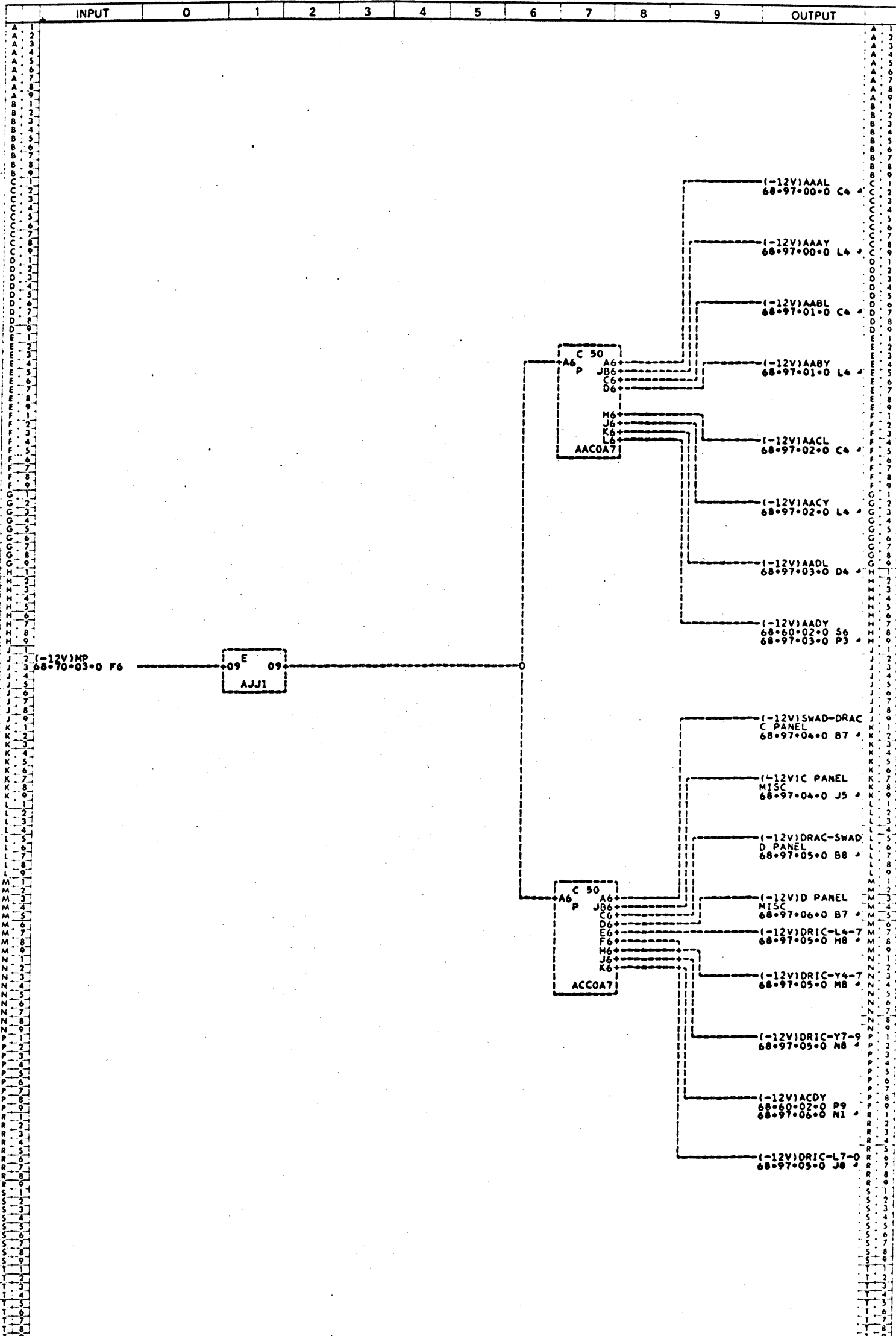


INPUT	0	1	2	3	4	5	6	7	8	9	OUTPUT	
U 2	TITLE (-1.2V) VOLTAGE DISTRIBUTION										M- 11168168AC	U 2
U 4	DRAWN BY J S GIANOULIS										CHECKED BY J E WOLLUM	U 4
U 6	UNIT NAME & USEC CORE MEMORY UNIT										UNIT NO. 11154119	U 6
U 8	SYSTEM B5000										PAGE NO. 68-91-01-2	U 8

ELECTRODATA **Burroughs Corporation** PASADENA CALIFORNIA
 M & E DIVISION

PROPERTY OF BURROUGHS CORPORATION NOT TO BE REPRODUCED NOR USED FOR MANUFACTURING PURPOSES EXCEPT ON BURROUGHS ORDER OR PRIOR WRITTEN CONSENT

LOGIC SCHEMATIC

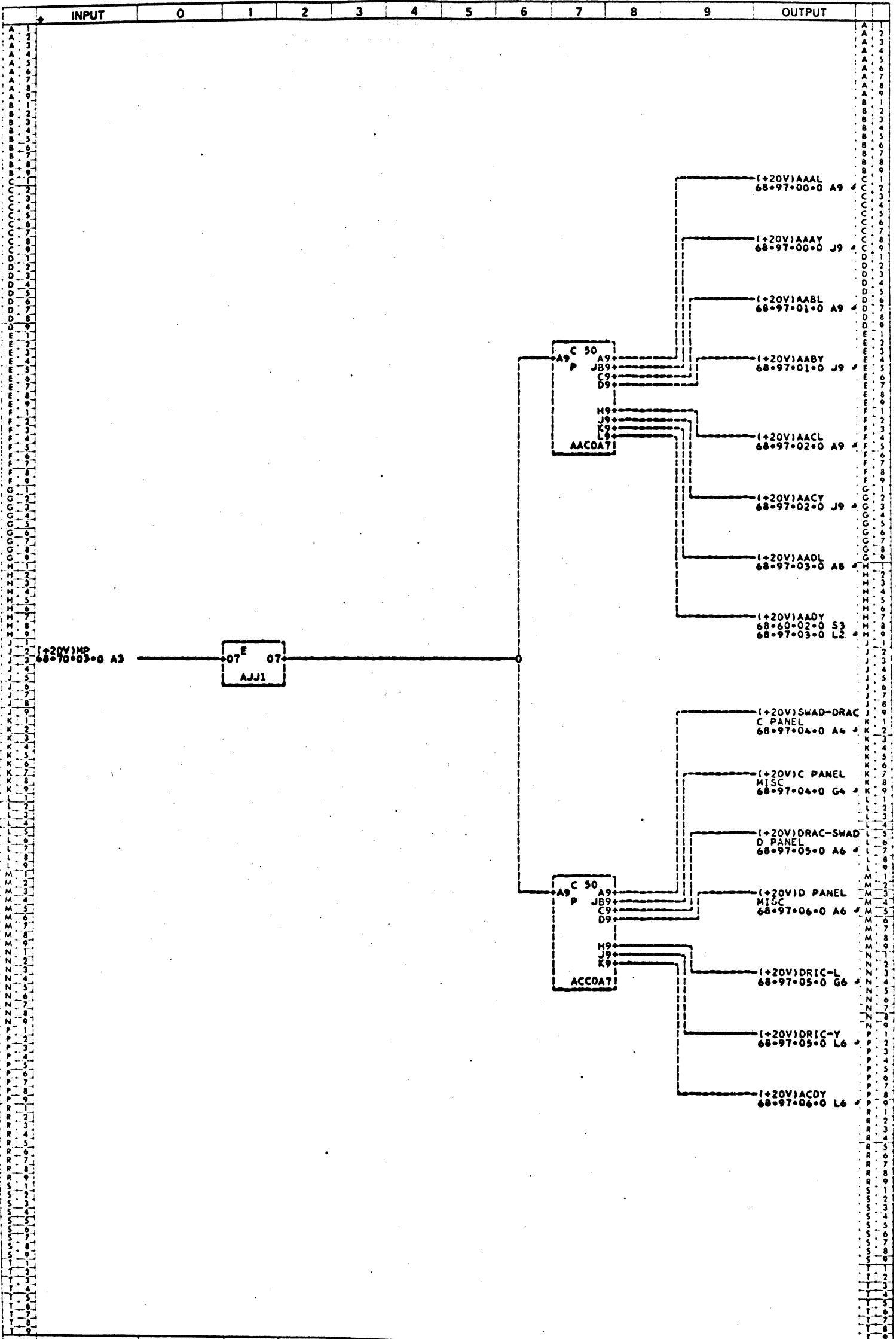


INPUT	0	1	2	3	4	5	6	7	8	9	OUTPUT
U 2	TITLE (-12V) VOLTAGE DISTRIBUTION										U 2
U 4	DRAWN BY J S GIANOULIS										U 4
U 6	UNIT NAME & USEC CORE MEMORY UNIT										U 6
U 8	SYSTEM 85000										U 8

ELECTRODATA M & E DIVISION	Burroughs Corporation	PASADENA CALIFORNIA
PROPERTY OF BURROUGHS CORPORATION NOT TO BE REPRODUCED, NOR USED FOR MANUFACTURING PURPOSES EXCEPT ON BURROUGHS ORDER OR PRIOR WRITTEN CONSENT		

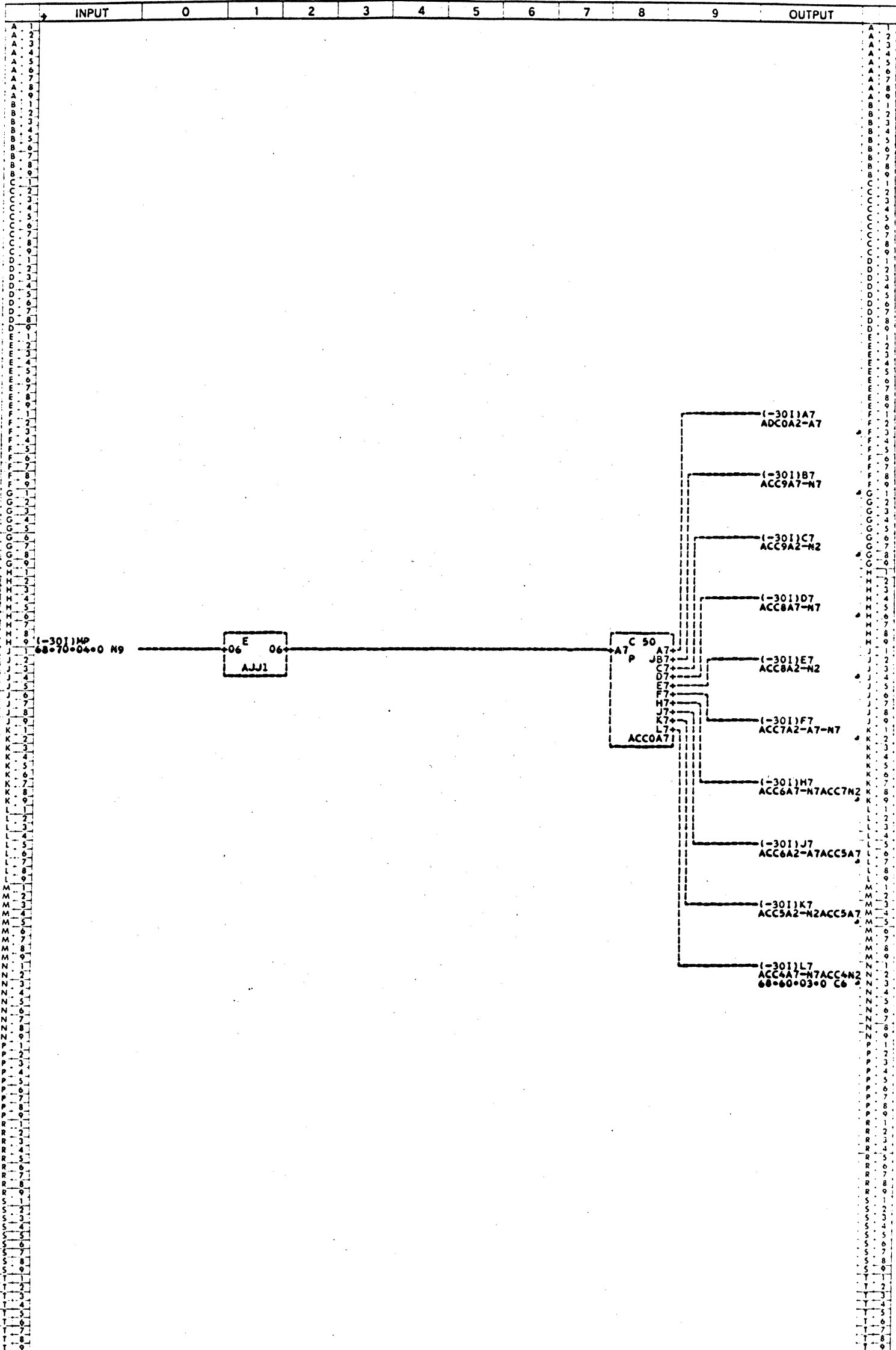
M- 11168184AD
CHECKED BY J E WOLLUM
UNIT NO. 11154119
PAGE NO. 68-91-12-0

LOGIC SCHEMATIC



INPUT	0	1	2	3	4	5	6	7	8	9	OUTPUT
U 2	TITLE (+20V) VOLTAGE DISTRIBUTION										U 2
U 4	DRAWN BY J S GIANOULIS										U 4
U 6	UNIT NAME & USEC CORE MEMORY UNIT										U 6
U 8	SYSTEM B5000										U 8
H- 11168192A8 CHECKED BY J E WOLLUM UNIT NO. 11154119 PAGE NO. 68-91-20-0											
ELECTRODATA Burroughs Corporation PASADENA CALIFORNIA M & E DIVISION											
PROPERTY OF BURROUGHS CORPORATION NOT TO BE REPRODUCED, NOR USED FOR MANUFACTURING PURPOSES EXCEPT ON BURROUGHS ORDER OR PRIOR WRITTEN CONSENT											

LOGIC SCHEMATIC

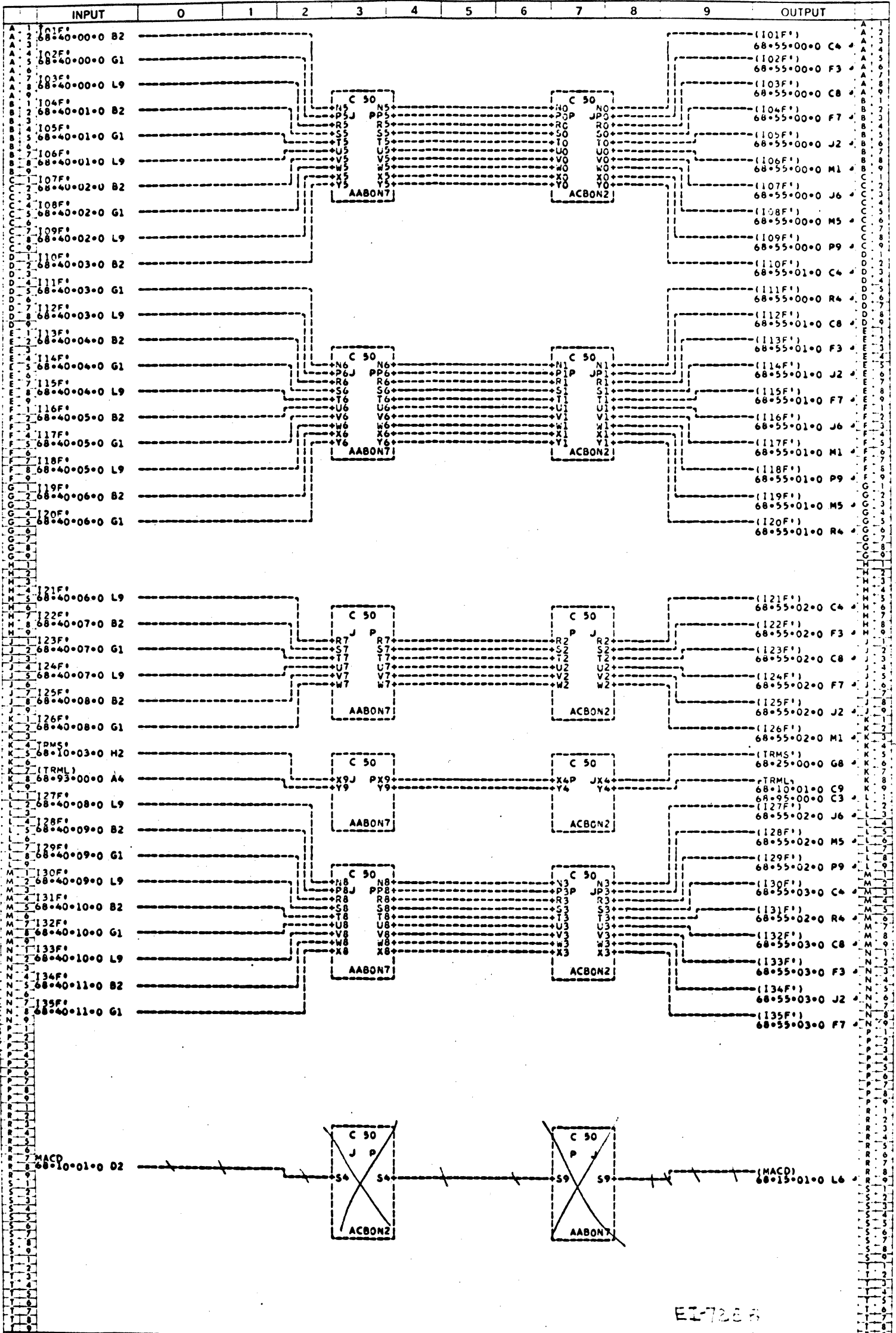


INPUT	0	1	2	3	4	5	6	7	8	9	OUTPUT
U 2	TITLE (-301) VOLTAGE DISTRIBUTION										U 2
U 4	DRAWN BY J S GIANOULIS CHECKED BY J E WOLLUM										U 4
U 6	UNIT NAME 4 USEC CORE MEMORY UNIT UNIT NO. 11154119										U 6
U 8	SYSTEM B3000 PAGE NO. 68-91-30-0										U 8

ELECTRODATA **Burroughs Corporation** PASADENA CALIFORNIA
 M & E DIVISION

PROPERTY OF BURROUGHS CORPORATION NOT TO BE REPRODUCED, NOR USED FOR
 MANUFACTURING PURPOSES EXCEPT ON BURROUGHS ORDER OR PRIOR WRITTEN CONSENT

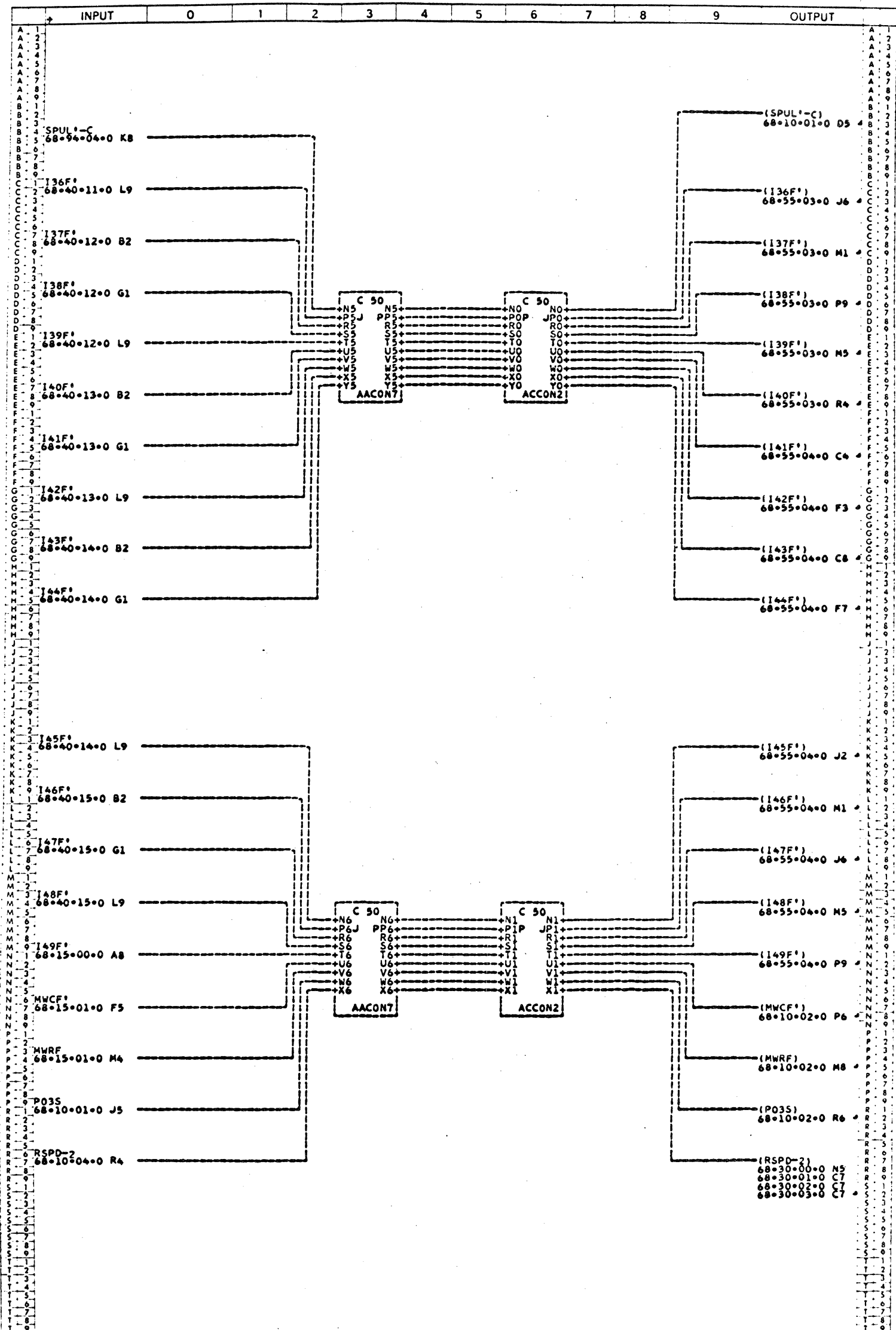
LOGIC SCHEMATIC



INPUT	0	1	2	3	4	5	6	7	8	9	OUTPUT
U 2	TITLE INTER FRAME CONNECTOR CABLE NO. 406 M- 11160218AE										U 2
U 4	DRAWN BY R B HENNIG CHECKED BY J E WOLLUM										U 4
U 6	UNIT NAME & USEC CORE MEMORY UNIT UNIT NO. 11194119										U 6
U 8	SYSTEM B5000 PAGE NO. 68-92-00-0										U 8

ELECTRODATA **Burroughs Corporation** PASADENA CALIFORNIA
M&E DIVISION PROPERTY OF BURROUGHS CORPORATION NOT TO BE REPRODUCED, NOR USED FOR MANUFACTURING PURPOSES, EXCEPT ON BURROUGHS ORDER OR PRIOR WRITTEN COMMENT

LOGIC SCHEMATIC

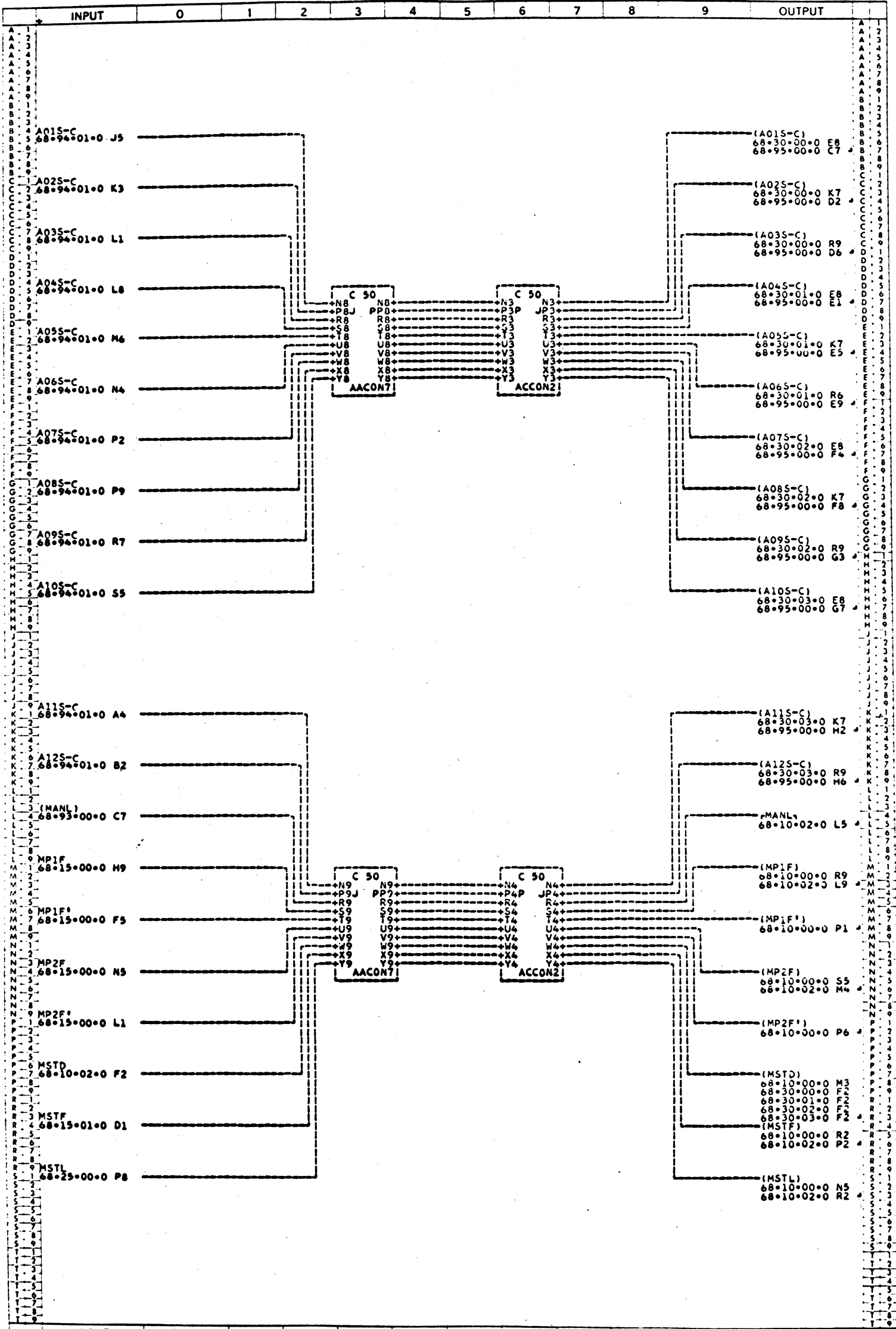


INPUT	0	1	2	3	4	5	6	7	8	9	OUTPUT
U 2	TITLE INTER FRAME CONNECTOR CABLE NO 414 PAGE 1 OF 2 H- 11168226A6										U 2
U 4	DRAWN BY TED Z CHECKED BY J E WOLLUM										U 4
U 6	UNIT NAME & USEC CORE MEMORY UNIT UNIT NO. 1115-119										U 6
U 8	SYSTEM B5000 PAGE NO. 68-92-01-0										U 8

ELECTRODATA **Burroughs Corporation** PASADENA CALIFORNIA
 M&E DIVISION

PROPERTY OF BURROUGHS CORPORATION NOT TO BE REPRODUCED, NOR USED FOR MANUFACTURING PURPOSES EXCEPT ON BURROUGHS ORDER OR PRIOR WRITTEN CONSENT

LOGIC SCHEMATIC



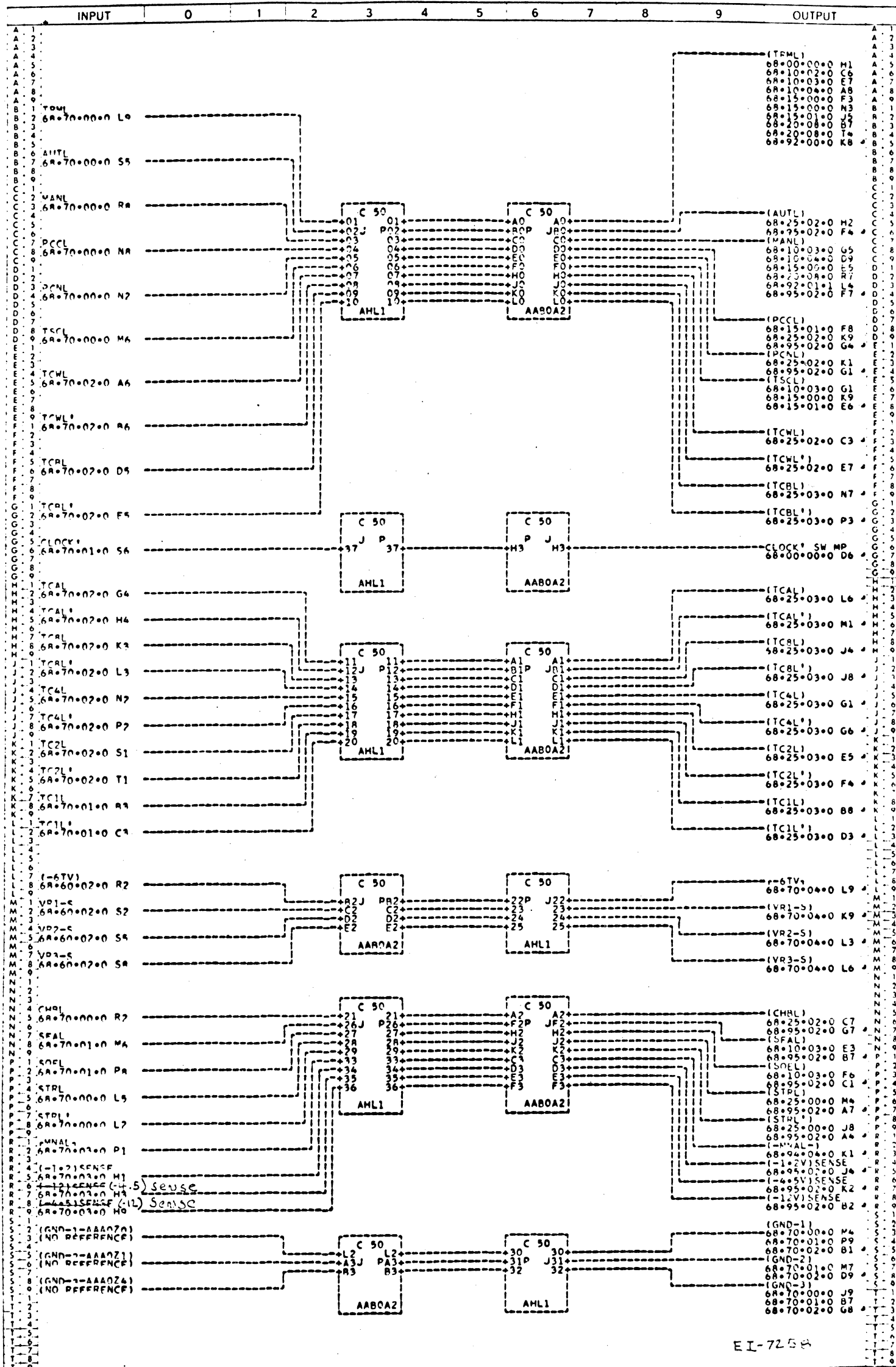
INPUT	0	1	2	3	4	5	6	7	8	9	OUTPUT
U 2	TITLE INTER FRAME CONNECTOR CABLE NO 414 PAGE 2 OF 2 M- 11168234AA										U 2
U 4	DRAWN BY TED Z CHECKED BY J E KOLLUM										U 4
U 6	UNIT NAME 4 USEC CORE MEMORY UNIT UNIT NO. 11194119										U 6
U 8	SYSTEM B2000 PAGE NO. 68-92-01-1										U 8

ELECTRODATA **Burroughs Corporation** PASADENA CALIFORNIA

M & E DIVISION 3

PROPERTY OF BURROUGHS CORPORATION NOT TO BE REPRODUCED, NOR USED FOR MANUFACTURING PURPOSES EXCEPT ON BURROUGHS ORDER OR PRIOR WRITTEN CONSENT

LOGIC SCHEMATIC



EI-7258

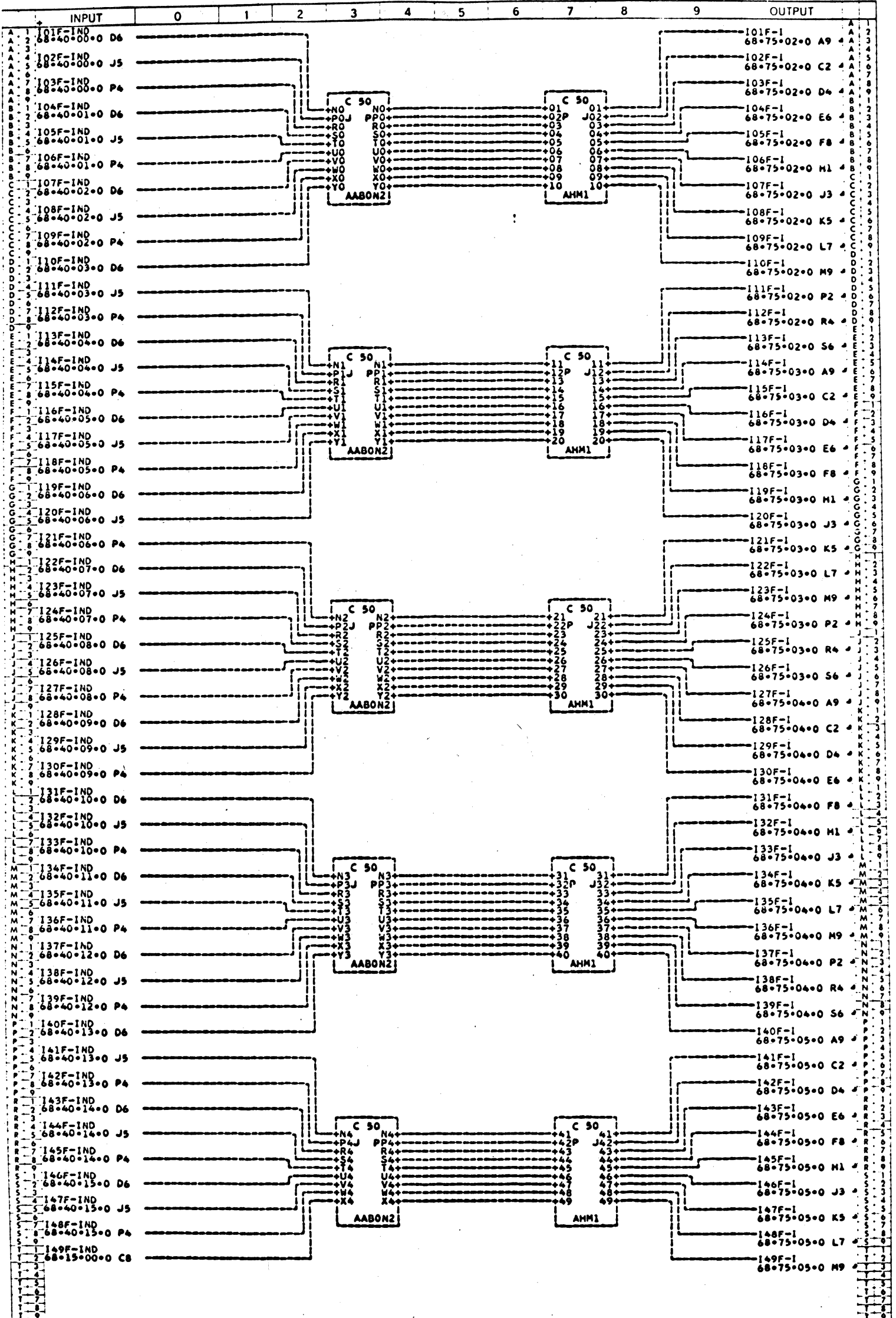
INPUT	0	1	2	3	4	5	6	7	8	9	OUTPUT
U 2 TITLE INTER PANEL CONNECTOR CARLE NO 78											
U 4 DRAWN BY TFD 2											
U 6 UNIT NAME & USEC CORE MEMORY UNIT											
U 8 SYSTEM B5000											

Burroughs Corporation

ELECTRODATA M&E DIVISION PASADENA CALIFORNIA

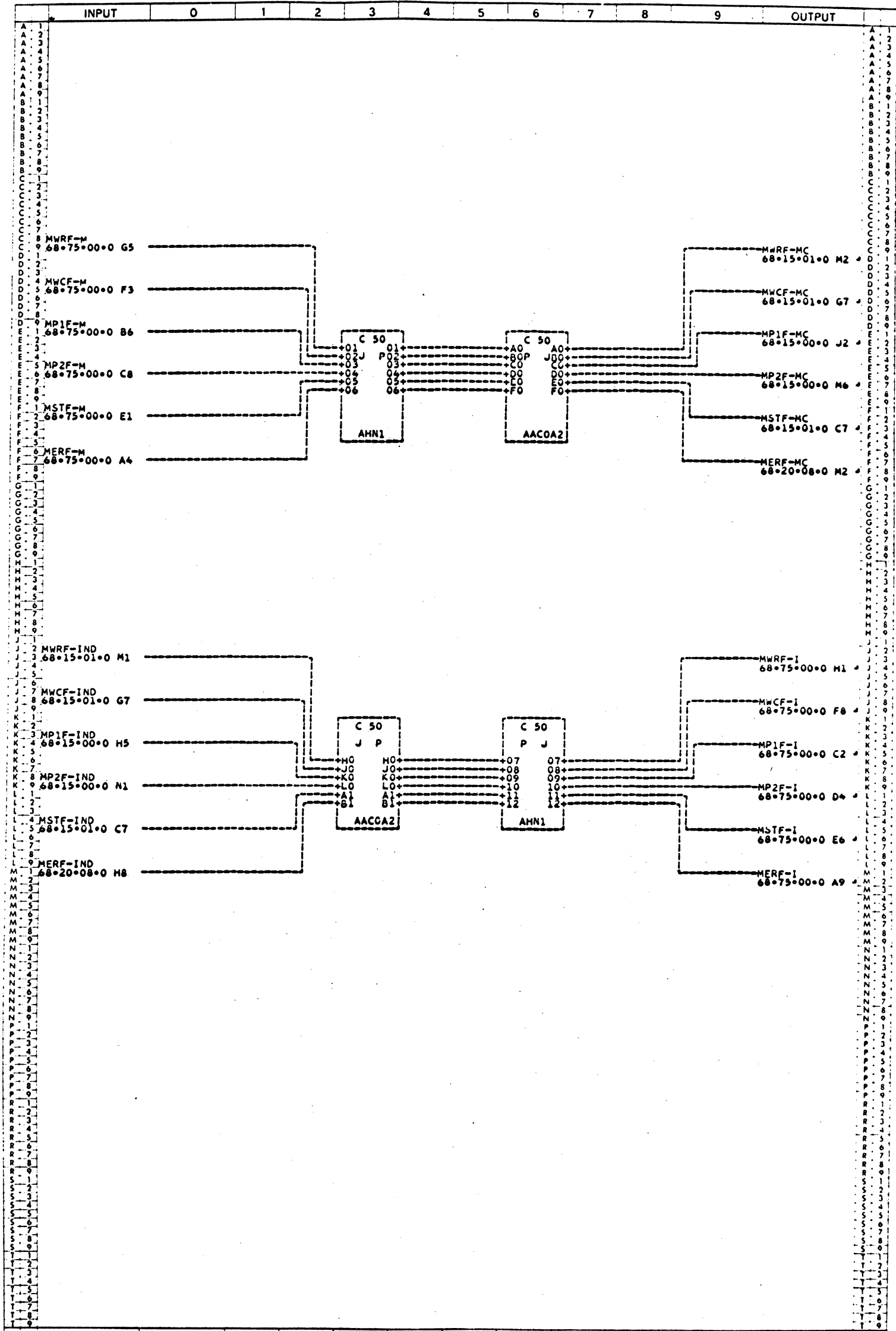
PROPERTY OF BURROUGHS CORPORATION NOT TO BE REPRODUCED NOR USED FOR MANUFACTURING PURPOSES EXCEPT ON BURROUGHS ORDER OR PRIOR WRITTEN CONSENT

LOGIC SCHEMATIC



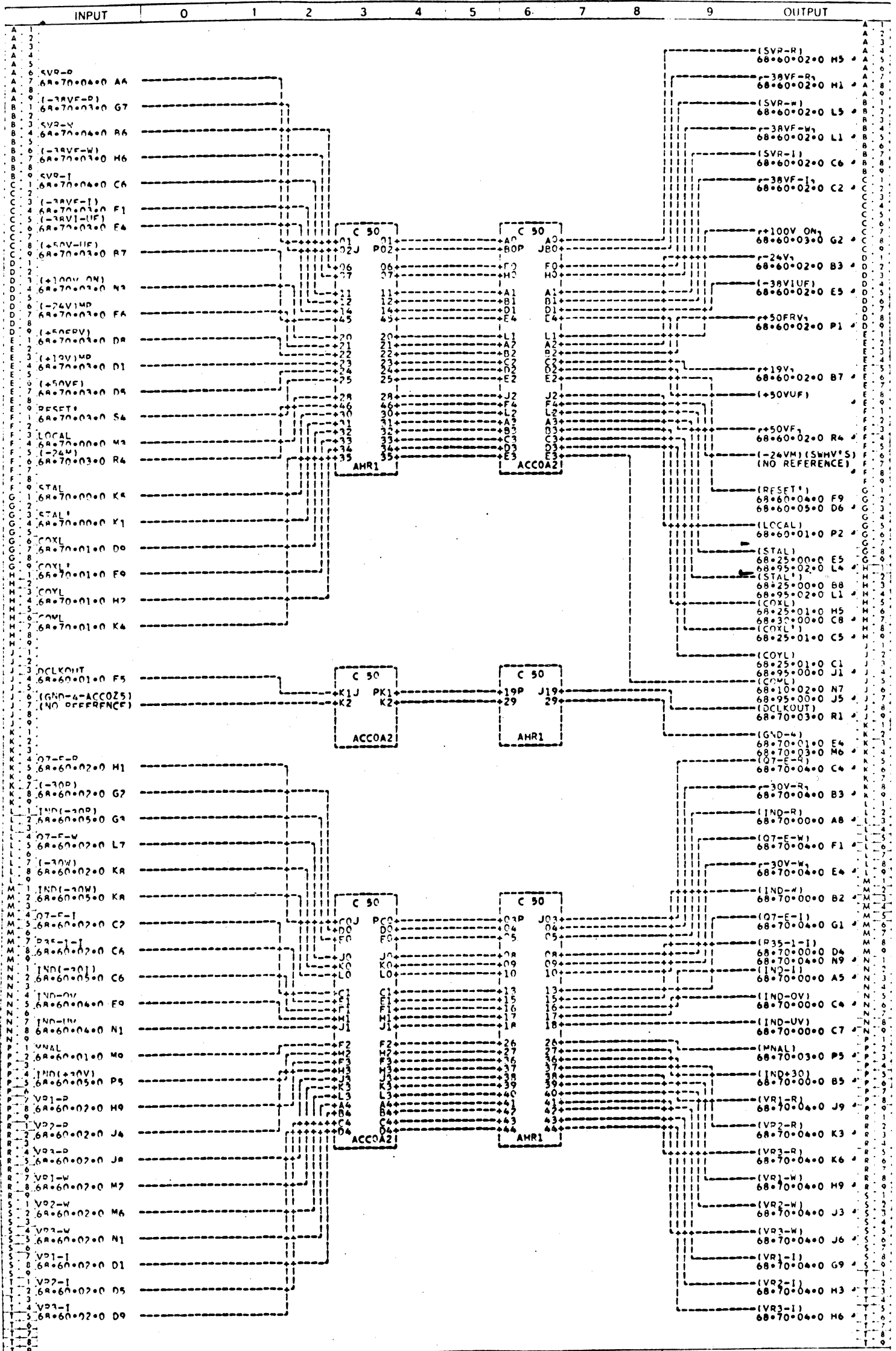
INPUT	0	1	2	3	4	5	6	7	8	9	OUTPUT
U 2 TITLE INTER PANEL CONNECTOR CABLE NO. 79											
U 4 DRAWN BY TED 2											
U 6 UNIT NAME & USEC CORE MEMORY UNIT											
U 8 SYSTEM 85000											

LOGIC SCHEMATIC



INPUT	0	1	2	3	4	5	6	7	8	9	OUTPUT
U 2 TITLE INTER PANEL CONNECTOR CABLE NO 80	M- 11168267AA					Burroughs Corporation ELECTRODATA M&E DIVISION PASADENA CALIFORNIA					U 2
U 4 DRAWN BY TED Z	CHECKED BY J E WOLLUM					PROPERTY OF BURROUGHS CORPORATION NOT TO BE REPRODUCED, NOR USED FOR MANUFACTURING PURPOSES EXCEPT ON BURROUGHS ORDER OR PRIOR WRITTEN CONSENT					U 4
U 6 UNIT NAME & USEC CORE MEMORY UNIT	UNIT NO. 11154119										U 6
U 8 SYSTEM B5000	PAGE NO. 68-93-02-00										U 8

LOGIC SCHEMATIC



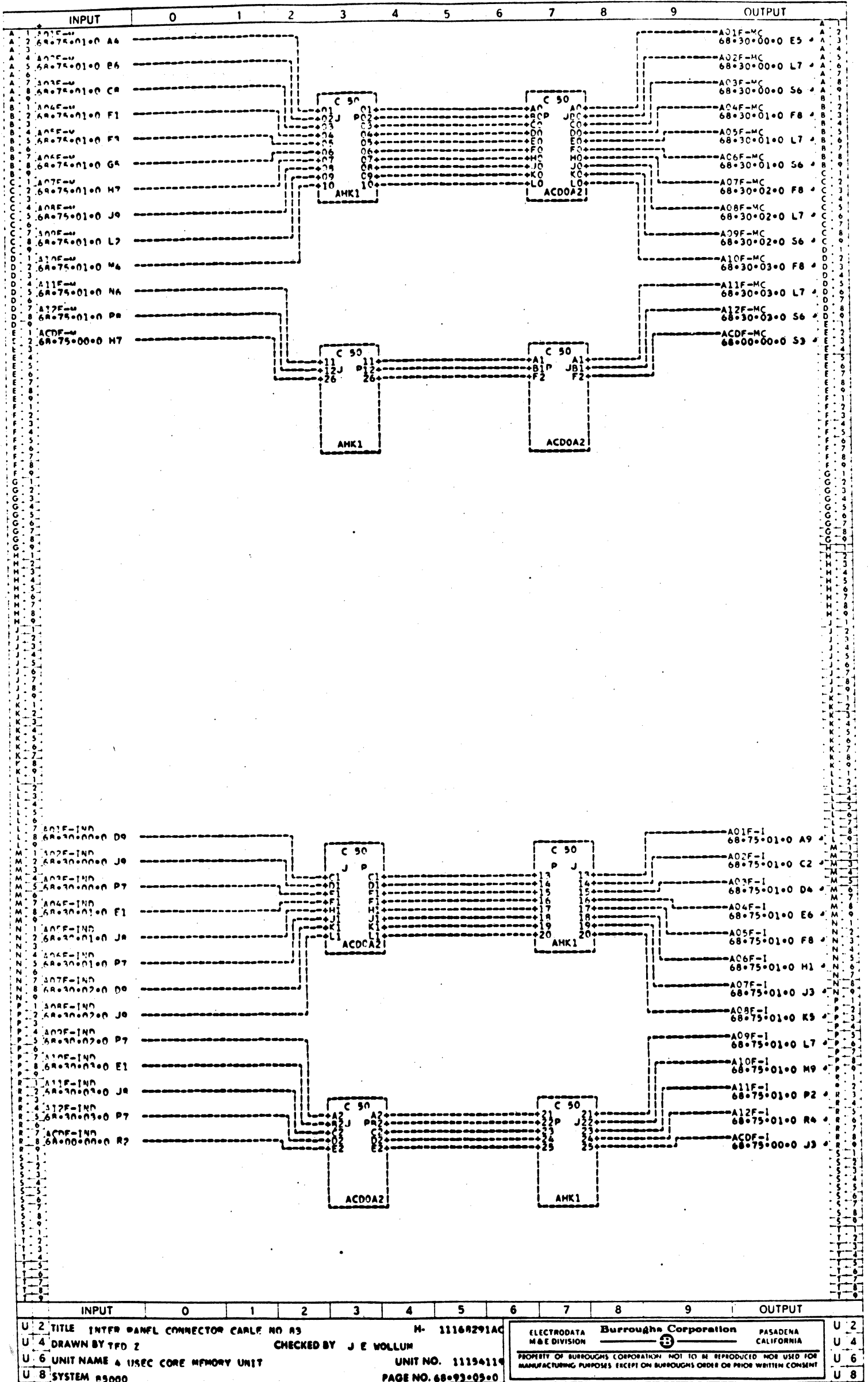
INPUT	0	1	2	3	4	5	6	7	8	9	OUTPUT
U 2 TITLE INTER PANFL CONNECTOR CABLE NO R2											
U 4 DRAWN BY TFD 7											
U 6 UNIT NAME & USEC CORE MEMORY UNIT											
U 8 SYSTEM B5000											

Burroughs Corporation

ELECTRODATA M&E DIVISION PASADENA CALIFORNIA

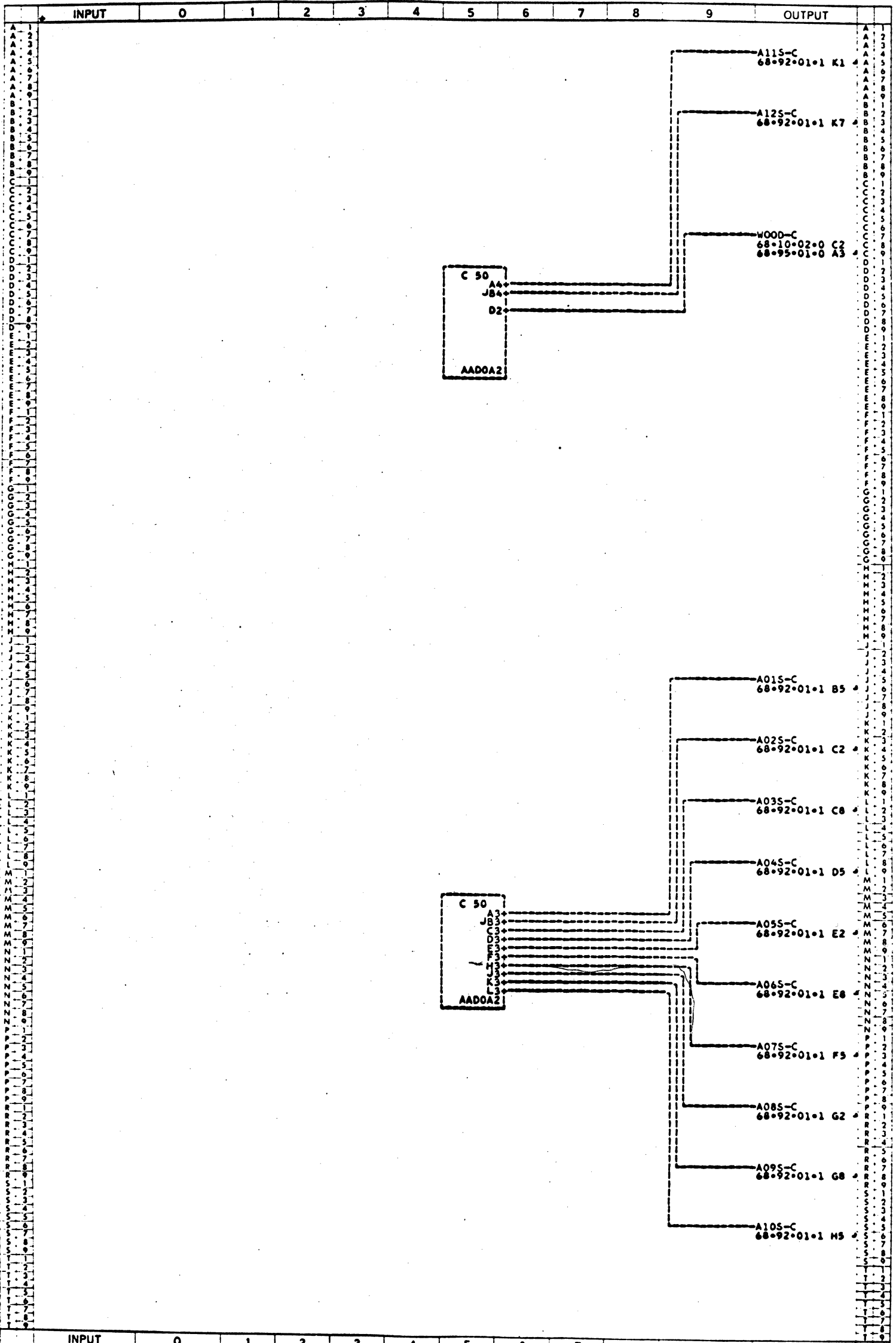
PROPERTY OF BURROUGHS CORPORATION NOT TO BE REPRODUCED NOR USED FOR MANUFACTURING PURPOSES EXCEPT ON BURROUGHS ORDER OR PRIOR WRITTEN CONSENT

LOGIC SCHEMATIC



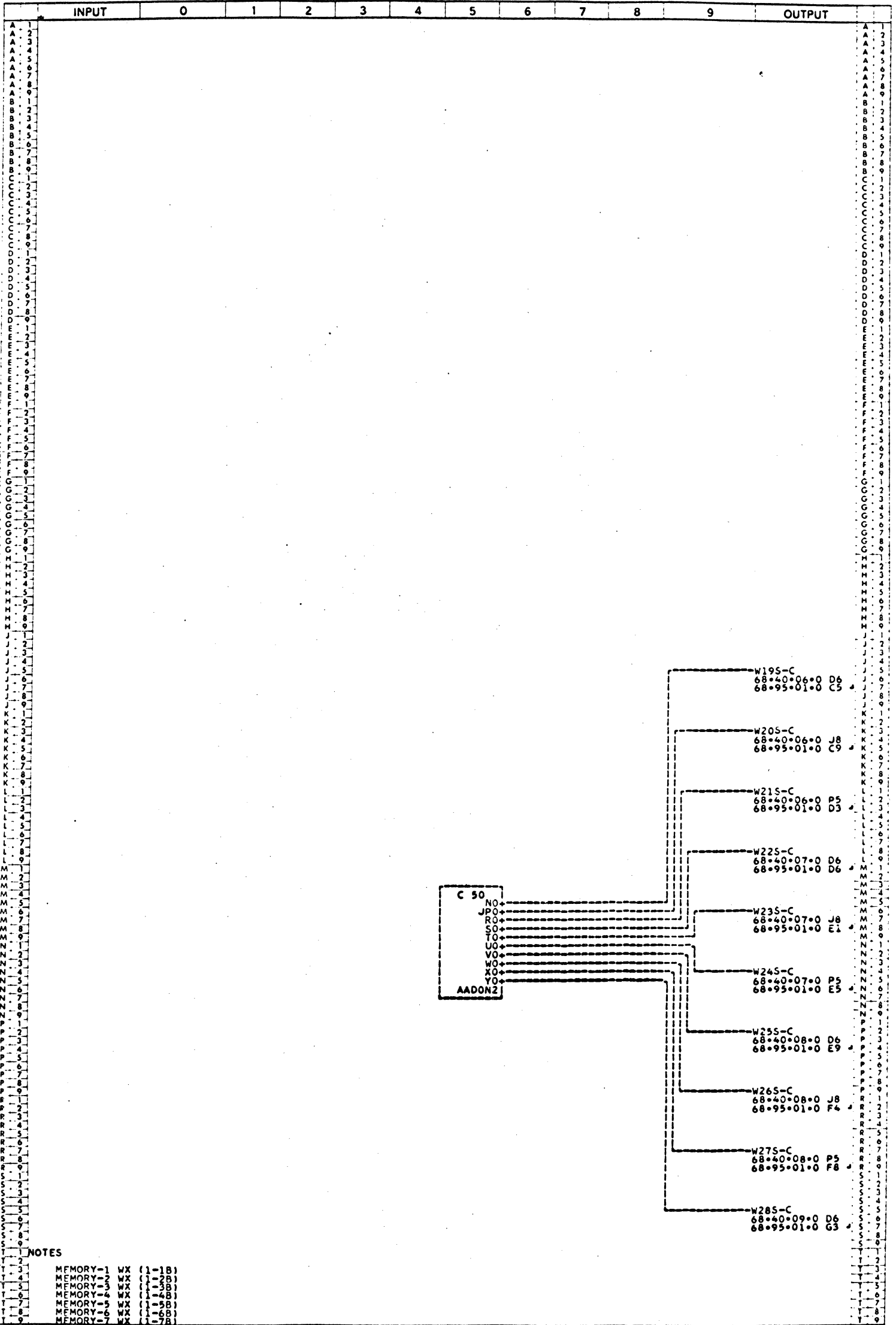
680 1007-1 REV 2-68

LOGIC SCHEMATIC



500 1467-1 REV 2-60

LOGIC SCHEMATIC



NOTES

T 2 MEMORY-1 WX (1-1B)

T 4 MEMORY-2 WX (1-2B)

T 5 MEMORY-3 WX (1-3B)

T 6 MEMORY-4 WX (1-4B)

T 7 MEMORY-5 WX (1-5B)

T 8 MEMORY-6 WX (1-6B)

T 9 MEMORY-7 WX (1-7B)

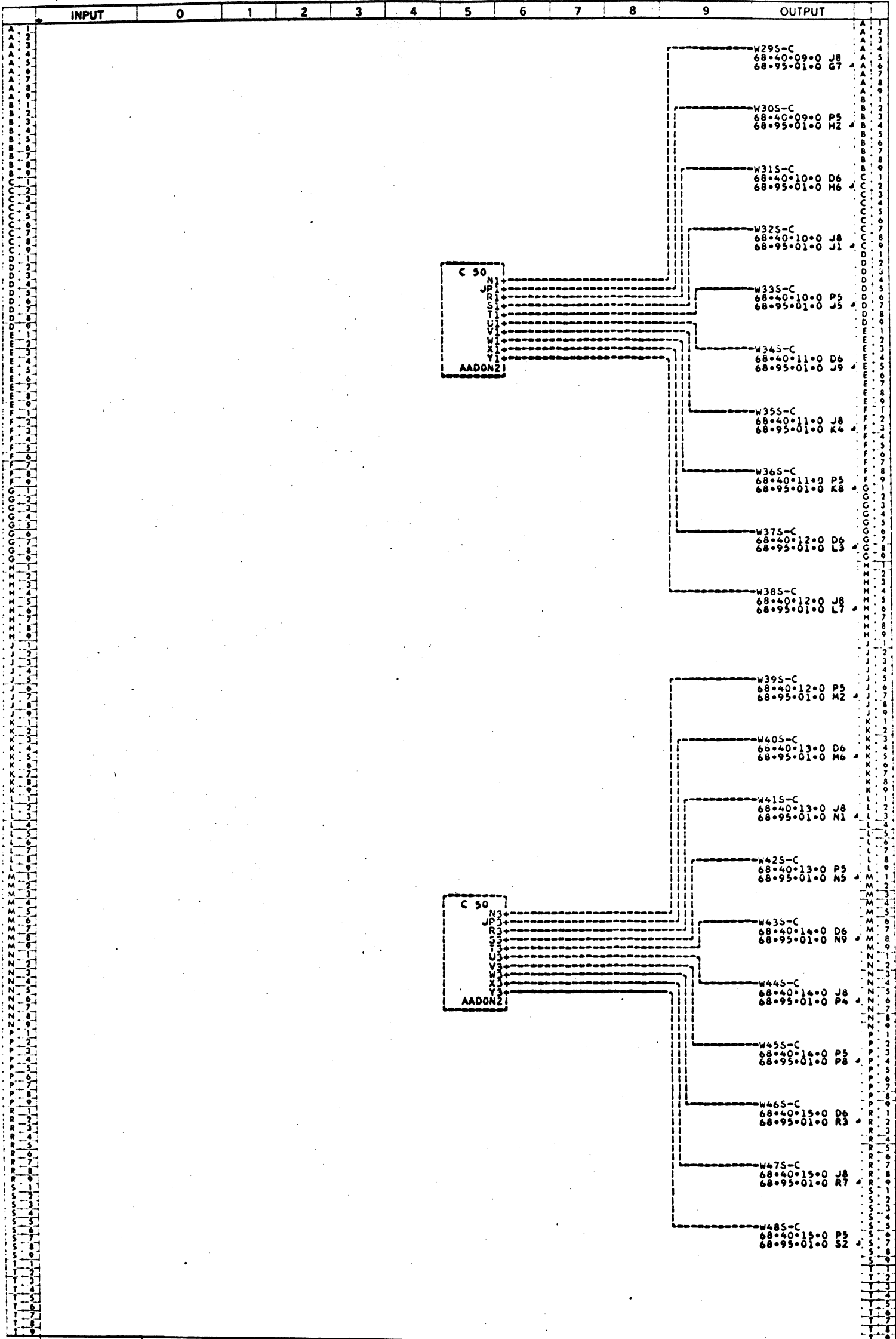
INPUT	0	1	2	3	4	5	6	7	8	9	OUTPUT
U 2	TITLE MEMORY-0 WX (1-0B) PAGE 1 OF 2 M- 11168325AA										U 2
U 4	DRAWN BY TED Z CHECKED BY J E WOLLUM										U 4
U 6	UNIT NAME 4 USEC CORE MEMORY UNIT UNIT NO. 11154119										U 6
U 8	SYSTEM B5000 PAGE NO. 6A-9A-02-0										U 8

ELECTRODATA **Burroughs Corporation** PASADENA CALIFORNIA

M&E DIVISION M&E DIVISION

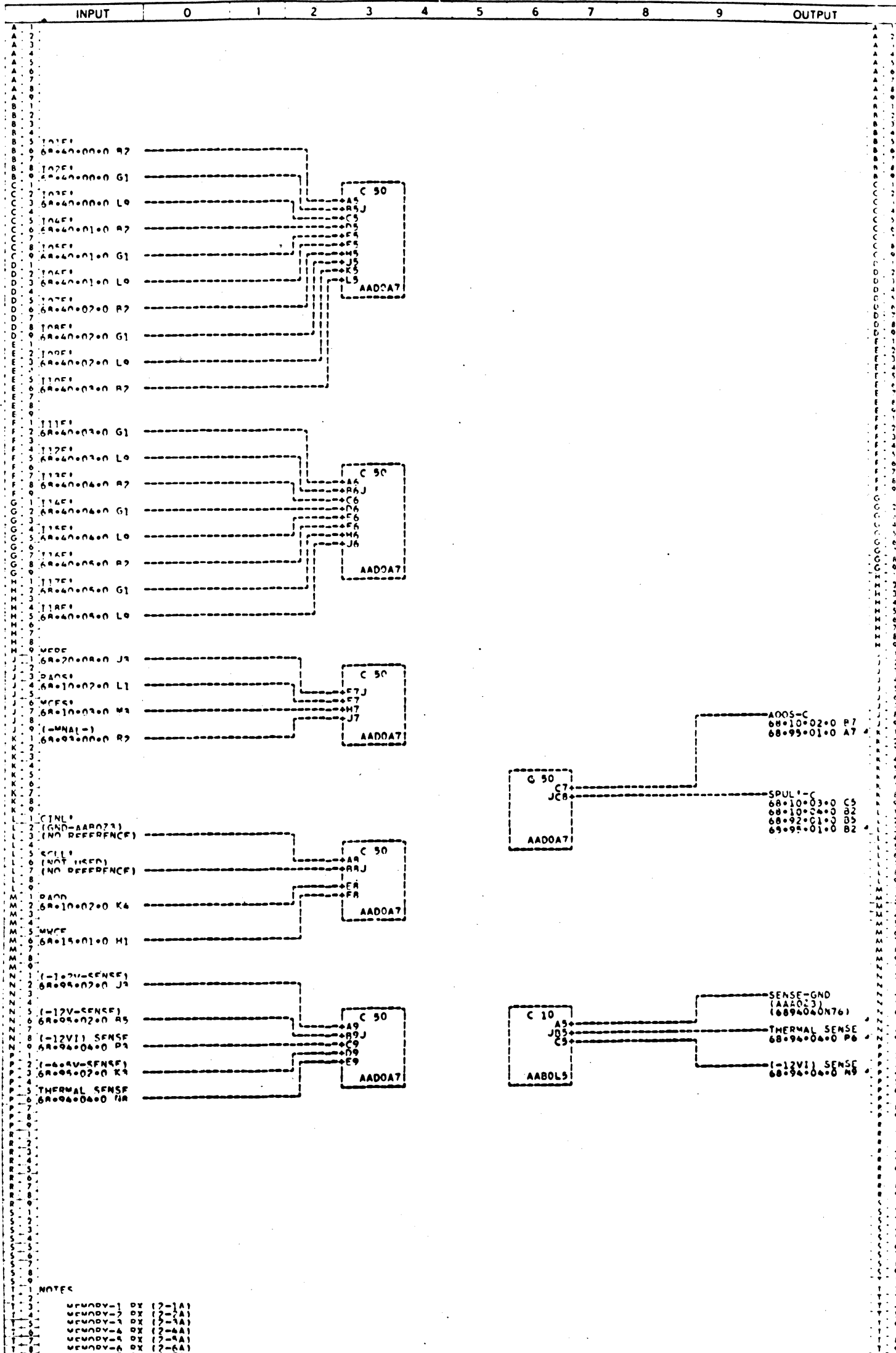
PROPERTY OF BURROUGHS CORPORATION NOT TO BE REPRODUCED, NOR USED FOR MANUFACTURING PURPOSES EXCEPT ON BURROUGHS ORDER OR PRIOR WRITTEN CONSENT

LOGIC SCHEMATIC



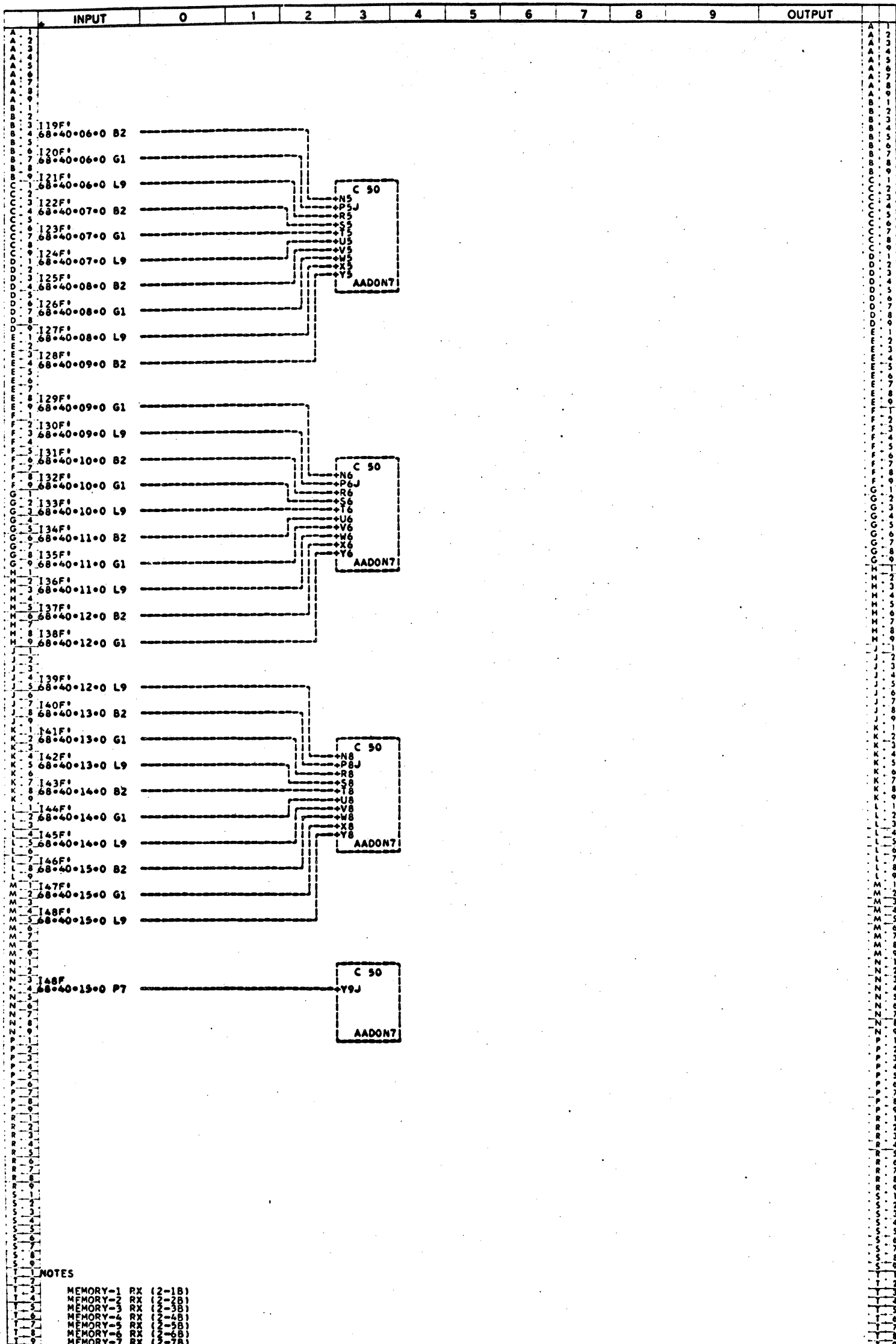
800 1607-1 REV 5-68

LOGIC SCHEMATIC



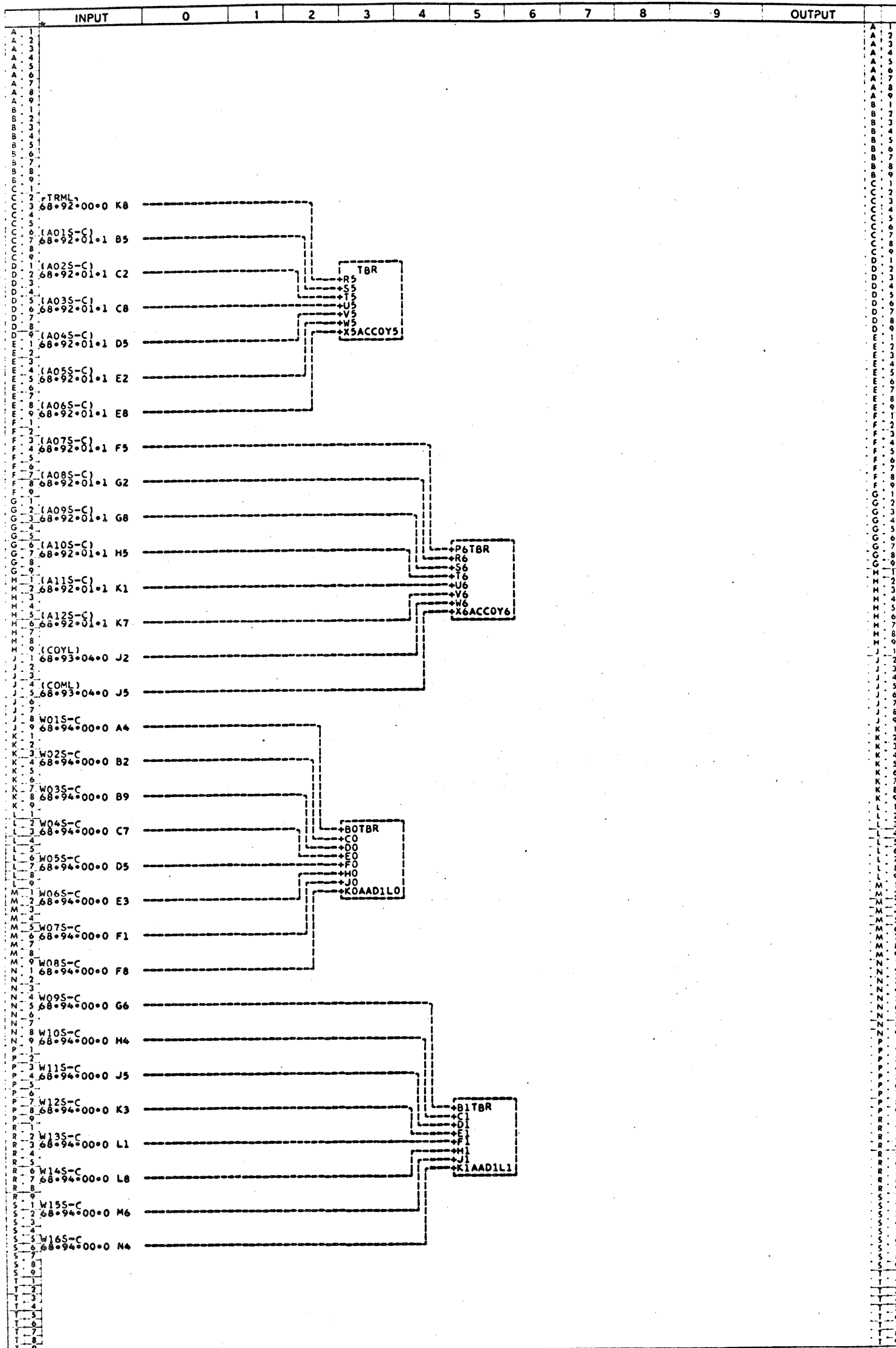
INPUT	0	1	2	3	4	5	6	7	8	9	OUTPUT
U 2	TITLE MEMORY-0 RX (2-0A) AND LV-OC-OH SENSING					M- 11168361AE					
U 4	DRAWN BY TED Y					CHECKED BY J E WOLLUM					
U 6	UNIT NAME & ISEC CORE MEMORY UNIT					UNIT NO. 11154119					
U 8	SYSTEM R5000					PAGE NO. 68-94-04-0					

LOGIC SCHEMATIC



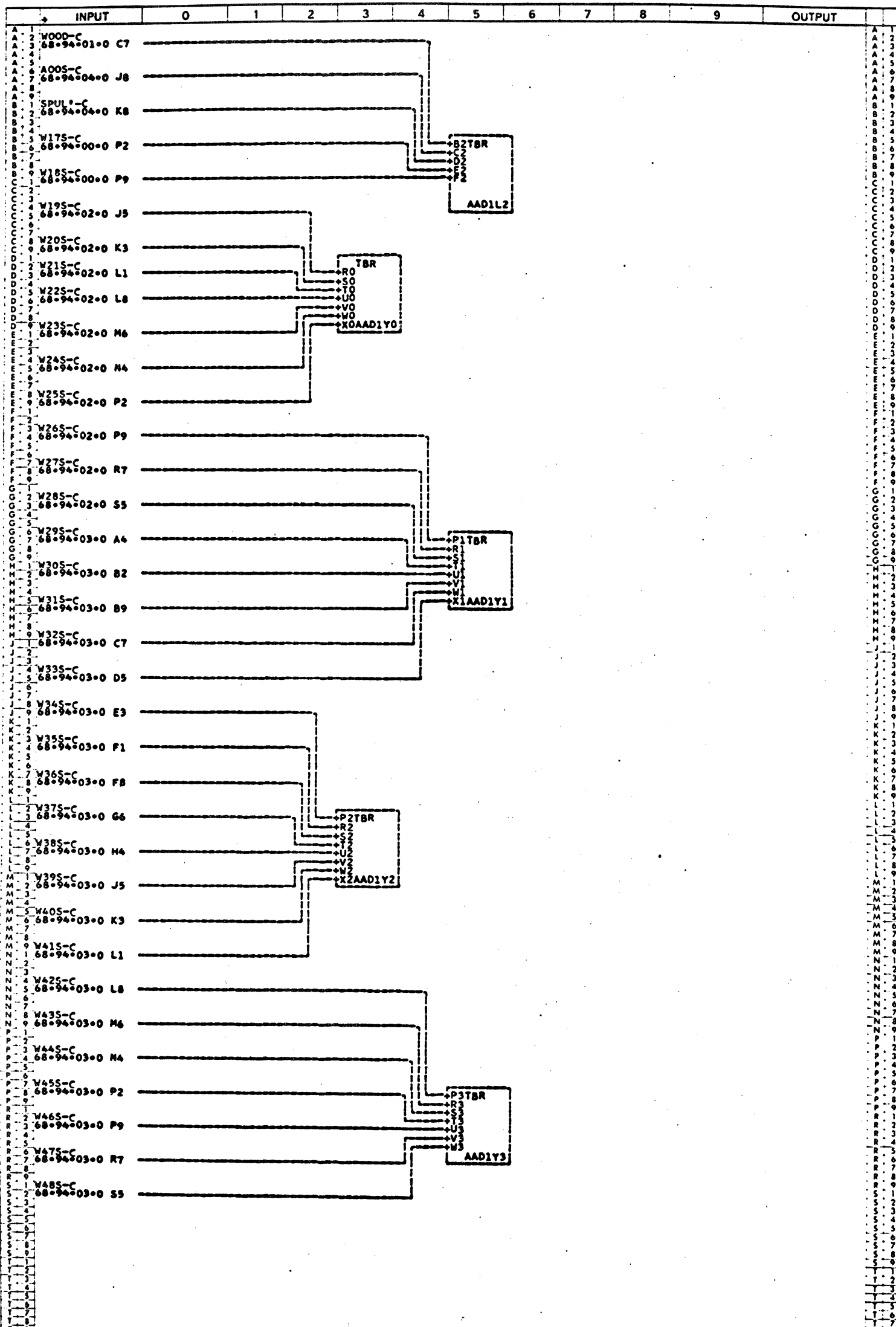
U 2	TITLE	MEMORY-0 RX (2-08)	M- 11160398AA	ELECTRODATA	Burroughs Corporation	PASADENA	U 2
U 4	DRAWN BY	TED Z	CHECKED BY	J E WOLLUM	M&E DIVISION	CALIFORNIA	U 4
U 6	UNIT NAME & USEC	CORE MEMORY UNIT	UNIT NO.	11154119	PROPERTY OF BURROUGHS CORPORATION. NOT TO BE REPRODUCED, NOR USED FOR MANUFACTURING PURPOSES, EXCEPT ON BURROUGHS ORDER OR PRIOR WRITTEN CONSENT.		U 6
U 8	SYSTEM	85000	PAGE NO.	68-96-03-0			U 8

LOGIC SCHEMATIC



000 1007-1 REV 3-60

LOGIC SCHEMATIC



INPUT	0	1	2	3	4	5	6	7	8	9	OUTPUT
U 2	TITLE TERMINATORS PAGE 2 OF 2										U 2
U 4	DRAWN BY TED Z										U 4
U 6	UNIT NAME & USEC CORE MEMORY UNIT										U 6
U 8	SYSTEM B5000										U 8

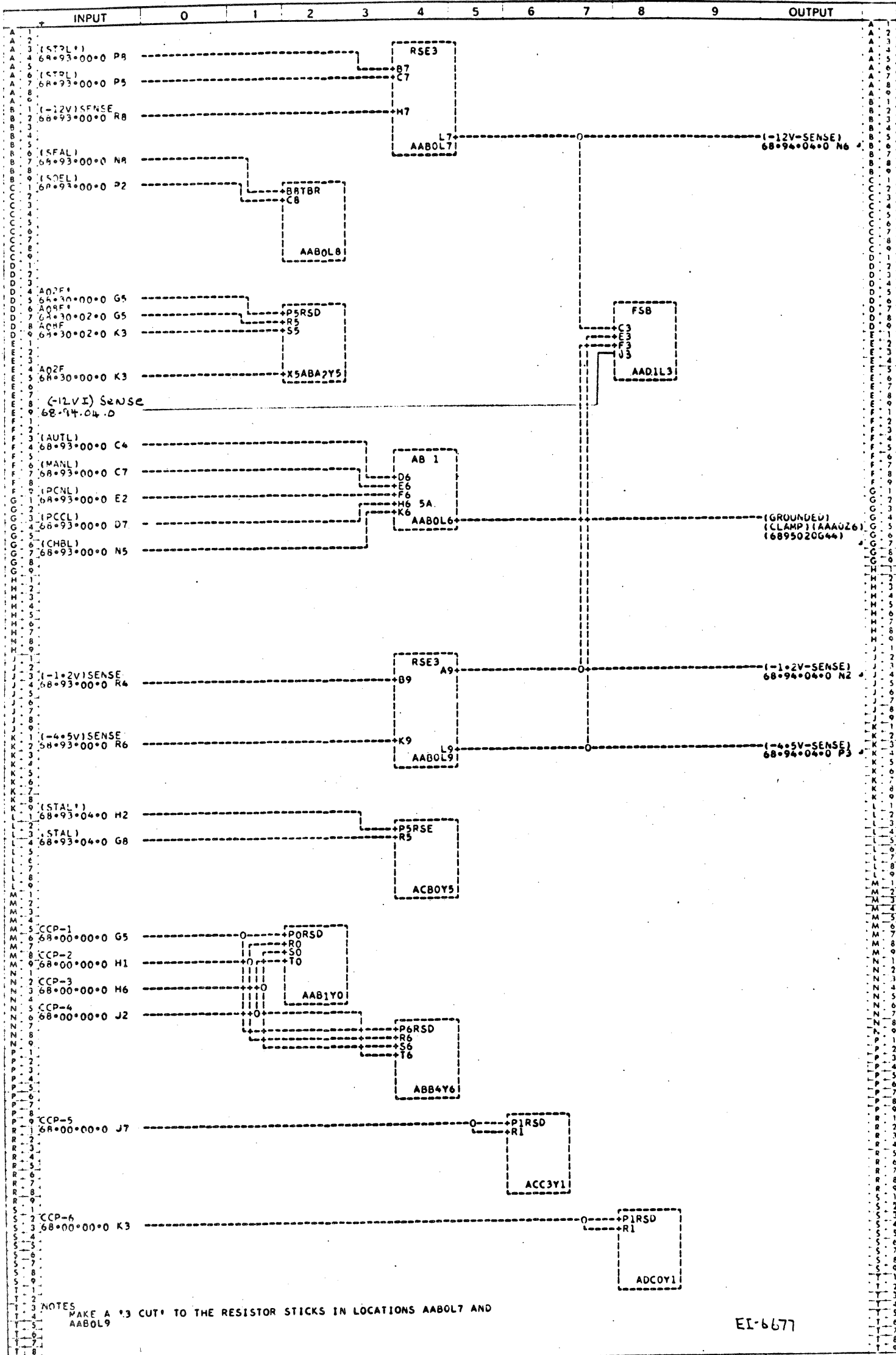
H- 11168374AA
CHECKED BY J E WOLLUM
UNIT NO. 11154119
PAGE NO. 68-94-01-0

ELECTRODATA **Burroughs Corporation** PASADENA
M&E DIVISION CALIFORNIA

PROPERTY OF BURROUGHS CORPORATION NOT TO BE REPRODUCED, NOR USED FOR
MANUFACTURING PURPOSES EXCEPT ON BURROUGHS ORDER OR PRIOR WRITTEN CONSENT

100 1607-1 REV 2-60

LOGIC SCHEMATIC



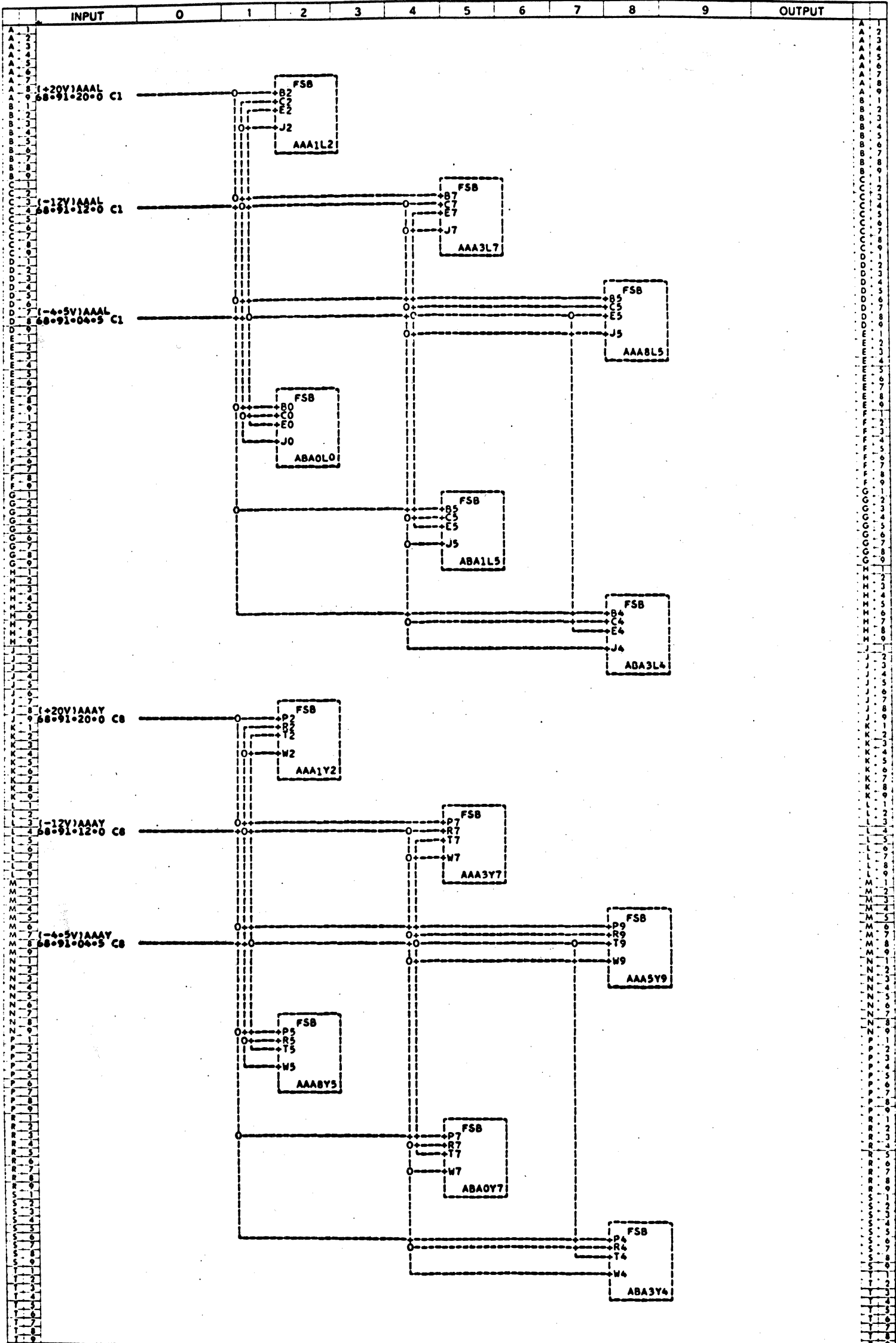
NOTES
 MAKE A #3 CUT TO THE RESISTOR STICKS IN LOCATIONS AABOL7 AND AABOL9

EI-6677

INPUT	0	1	2	3	4	5	6	7	8	9	OUTPUT
U 2 TITLE MAINTENANCE SWITCH TERMINATORS-LOADS AND BIAS M- 11168382AE											U 2
U 4 DRAWN BY R B HENNIG CHECKED BY J E WOLLUM											U 4
U 6 UNIT NAME & USEC CORE MEMORY UNIT UNIT NO. 11154119											U 6
U 8 SYSTEM B5000 PAGE NO. 68-93-02-0											U 8

Burroughs Corporation
 ELECTRODATA M&E DIVISION PASADENA CALIFORNIA
PROPERTY OF BURROUGHS CORPORATION NOT TO BE REPRODUCED, NOR USED FOR MANUFACTURING PURPOSES EXCEPT ON BURROUGHS ORDER OR PRIOR WRITTEN CONSENT

LOGIC SCHEMATIC

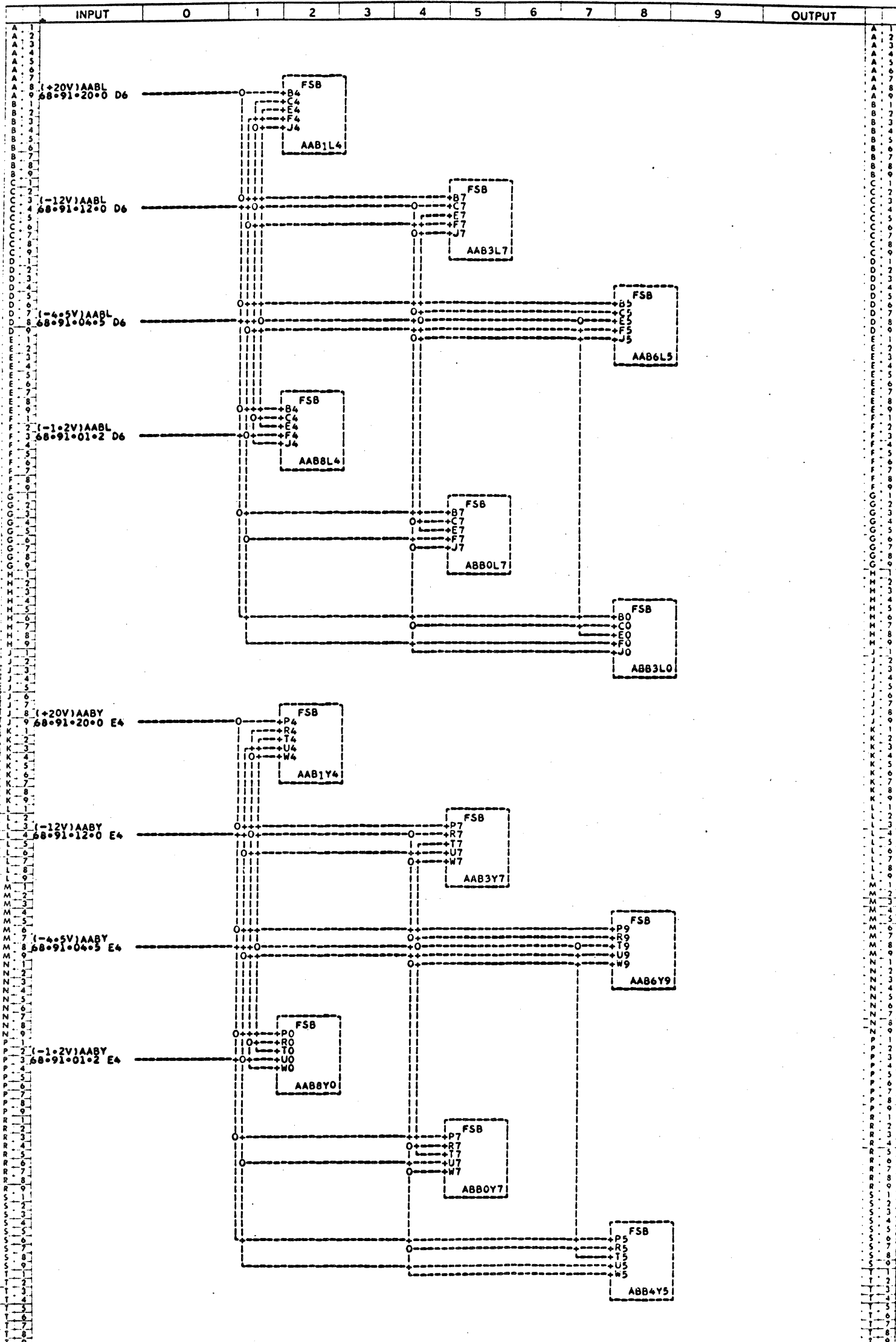


INPUT	0	1	2	3	4	5	6	7	8	9	OUTPUT
U 2	TITLE FILTER STICKS A-RACK A-B PANEL (AAAL-AAAY) M- 11168390AB										U 2
U 4	DRAWN BY J S GIANOULIS CHECKED BY J E WOLLUM										U 4
U 6	UNIT NAME & USEC CORE MEMORY UNIT UNIT NO. 11154119										U 6
U 8	SYSTEM B5000 PAGE NO. 68-97-00-0										U 8

ELECTRODATA **Burroughs Corporation** **PASADENA CALIFORNIA**
 M & E DIVISION

PROPERTY OF BURROUGHS CORPORATION NOT TO BE REPRODUCED, NOR USED FOR MANUFACTURING PURPOSES EXCEPT ON BURROUGHS ORDER OR PRIOR WRITTEN CONSENT

LOGIC SCHEMATIC

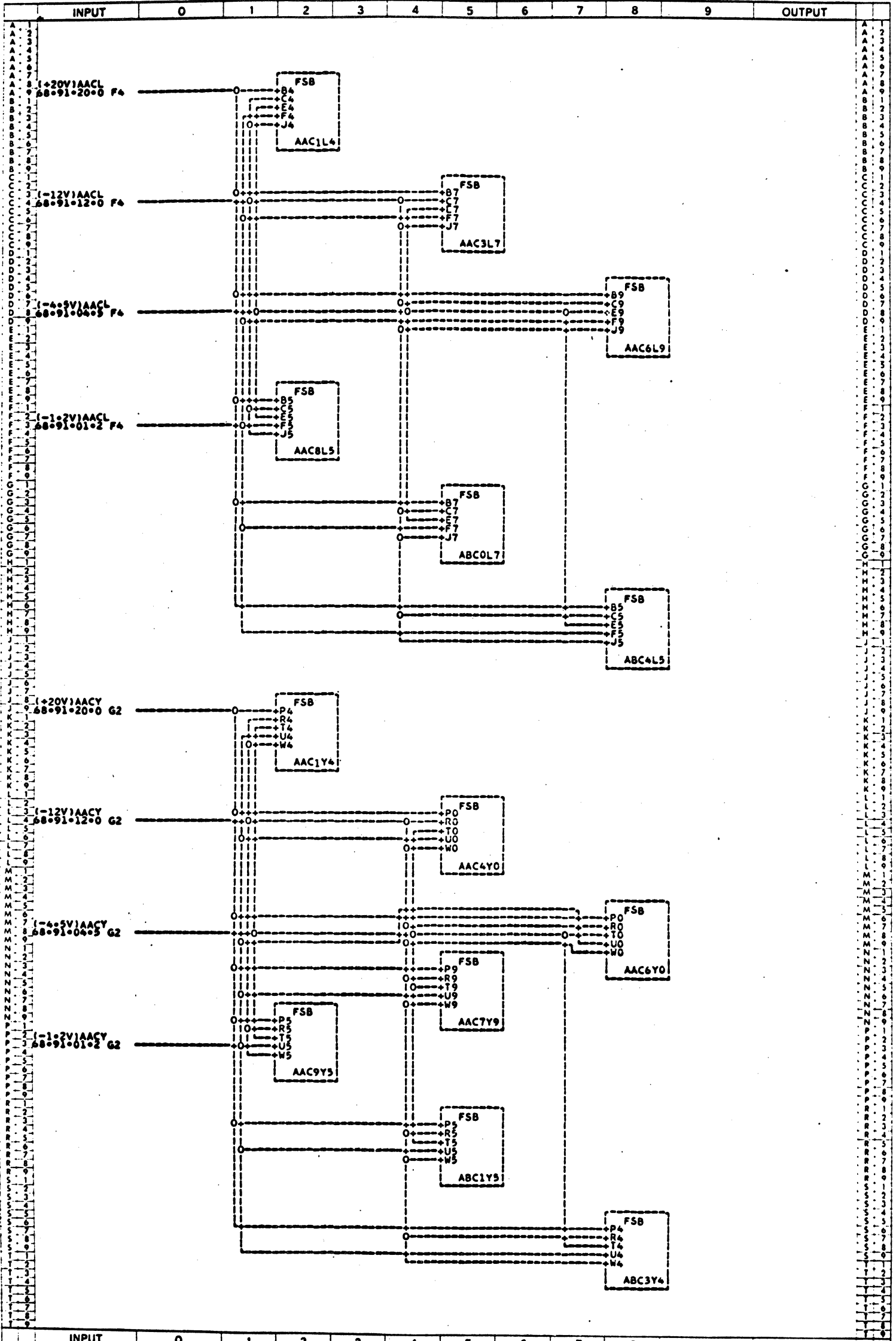


INPUT	0	1	2	3	4	5	6	7	8	9	OUTPUT
U 2	TITLE FILTER STICKS A RACK A-B PANEL (AABL-AABY) M- 11168408AA										U 2
U 4	DRAWN BY J S GIANOULIS CHECKED BY J E WOLLUM										U 4
U 6	UNIT NAME & USEC CORE MEMORY UNIT UNIT NO. 11154119										U 6
U 8	SYSTEM B5000 PAGE NO. 68-97-01-9										U 8

ELECTRODATA **Burroughs Corporation** **PASADENA CALIFORNIA**
 M & E DIVISION

PROPERTY OF BURROUGHS CORPORATION NOT TO BE REPRODUCED, NOR USED FOR MANUFACTURING PURPOSES EXCEPT ON BURROUGHS ORDER OR PRIOR WRITTEN CONSENT

LOGIC SCHEMATIC

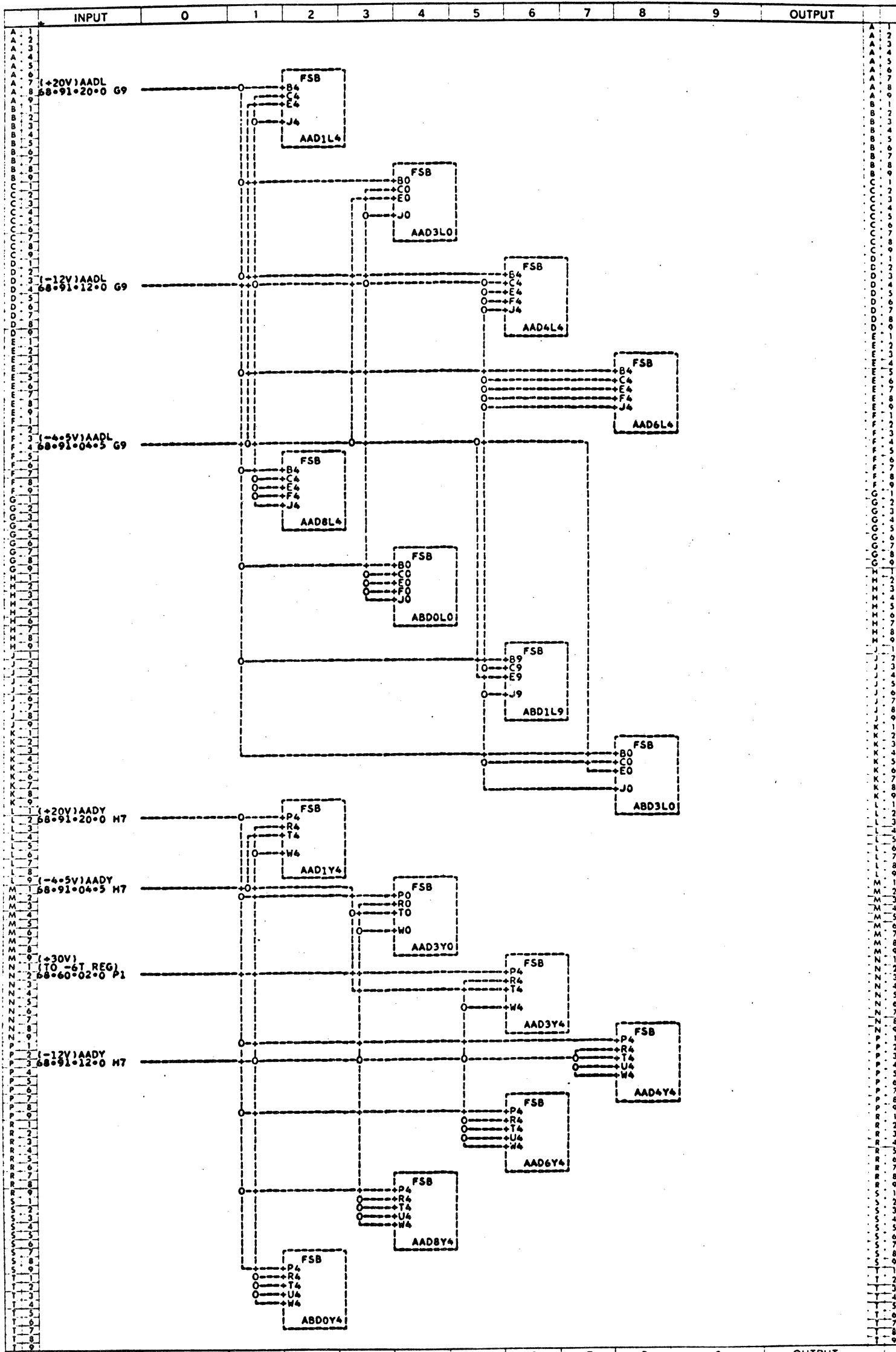


INPUT	0	1	2	3	4	5	6	7	8	9	OUTPUT
U 2	TITLE FILTER STICKS A RACK A-B PANEL (AACL-AACY) M- 11168416AA										U 2
U 4	DRAWN BY J S GIANOULIS CHECKED BY J E WOLLUM										U 4
U 6	UNIT NAME 4 USEC CORE MEMORY UNIT UNIT NO. 11194119										U 6
U 8	SYSTEM B9000 PAGE NO. 68-97-02-0										U 8

ELECTRODATA **Burroughs Corporation** **PASADENA CALIFORNIA**
 M & E DIVISION

PROPERTY OF BURROUGHS CORPORATION NOT TO BE REPRODUCED, NOR USED FOR MANUFACTURING PURPOSES EXCEPT ON BURROUGHS ORDER OR PRIOR WRITTEN CONSENT

LOGIC SCHEMATIC

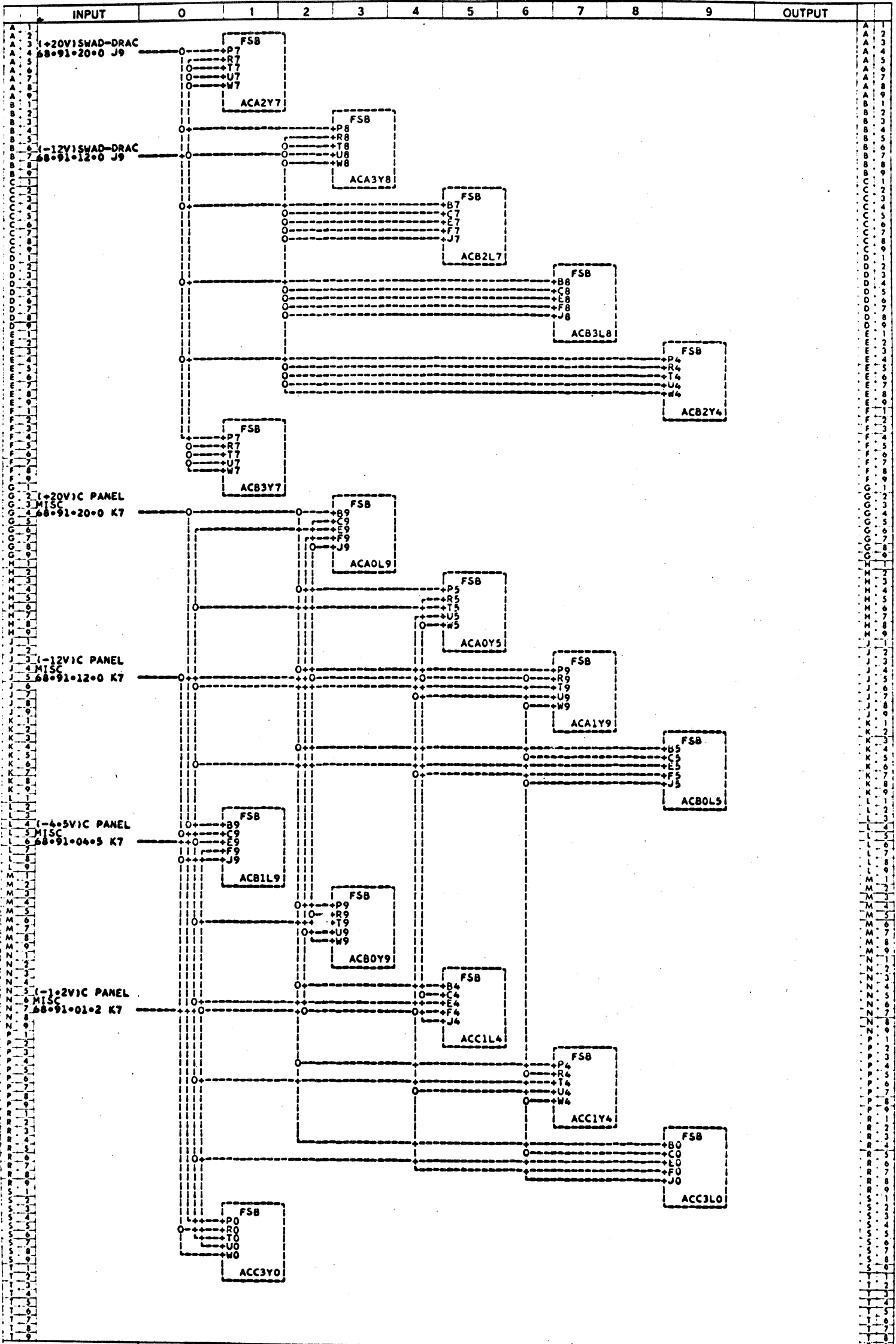


INPUT	0	1	2	3	4	5	6	7	8	9	OUTPUT
U 2	TITLE FILTER STICKS A RACK A-B PANEL (AADL-AADY)-(I+30V) H- 11168424AC										U 2
U 4	DRAWN BY J S GIANOULIS CHECKED BY J E WOLLUM										U 4
U 6	UNIT NAME & USEC CORE MEMORY UNIT UNIT NO. 11154119										U 6
U 8	SYSTEM B5000 PAGE NO. 68-97-03-0										U 8

ELECTRODATA **Burroughs Corporation** PASADENA CALIFORNIA
 M & E DIVISION

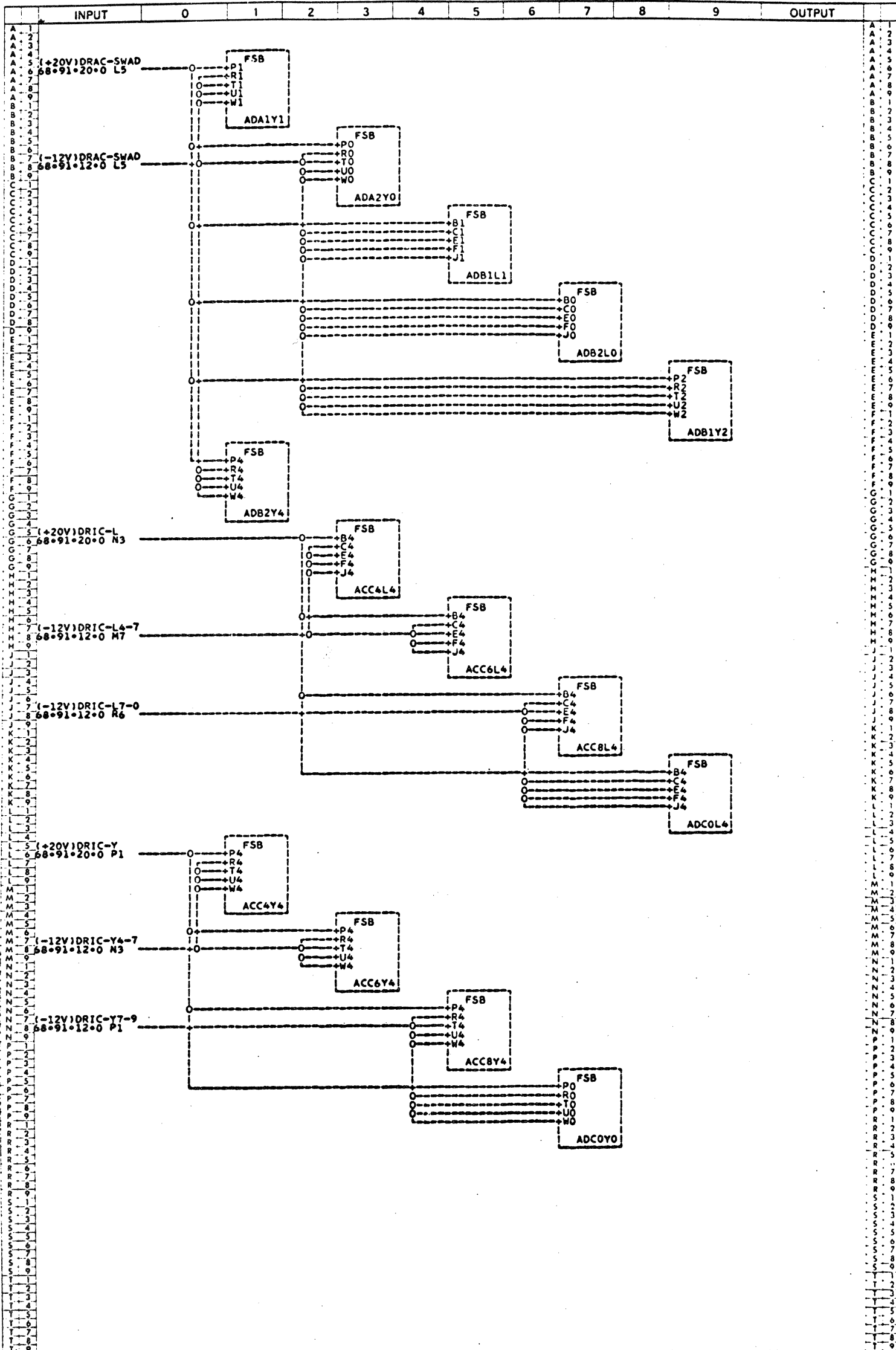
PROPERTY OF BURROUGHS CORPORATION NOT TO BE REPRODUCED, NOR USED FOR MANUFACTURING PURPOSES EXCEPT ON BURROUGHS ORDER OR PRIOR WRITTEN CONSENT

LOGIC SCHEMATIC



INPUT	0	1	2	3	4	5	6	7	8	9	OUTPUT
U 2	TITLE FILTER STICKS (+20V - 12V) ADD-INH DR ADD SW H- 11168432AA										U 2
U 4	DRAWN BY J S GIANOULIS CHECKED BY J E WOLLUM										U 4
U 6	UNIT NAME & USEC CORE MEMORY UNIT UNIT NO. 11154119										U 6
U 8	SYSTEM B9000 PAGE NO. 68-97-06-0										U 8

LOGIC SCHEMATIC



INPUT	0	1	2	3	4	5	6	7	8	9	OUTPUT
U 2	TITLE FILTER STICKS (+20V)(-12V) ADD-INH DR - ADD SW H- 11168440AD										U 2
U 4	DRAWN BY J S GIANOULIS CHECKED BY J E WOLLUM										U 4
U 6	UNIT NAME & USEC CORE MEMORY UNIT UNIT NO. 11154119										U 6
U 8	SYSTEM 85000 PAGE NO. 88-97-02-0										U 8

ELECTRODATA **Burroughs Corporation** PASADENA CALIFORNIA
 M & E DIVISION

PROPERTY OF BURROUGHS CORPORATION NOT TO BE REPRODUCED, NOR USED FOR MANUFACTURING PURPOSES EXCEPT ON BURROUGHS ORDER OR PRIOR WRITTEN CONSENT

