

LIST OF EFFECTIVE PAGES

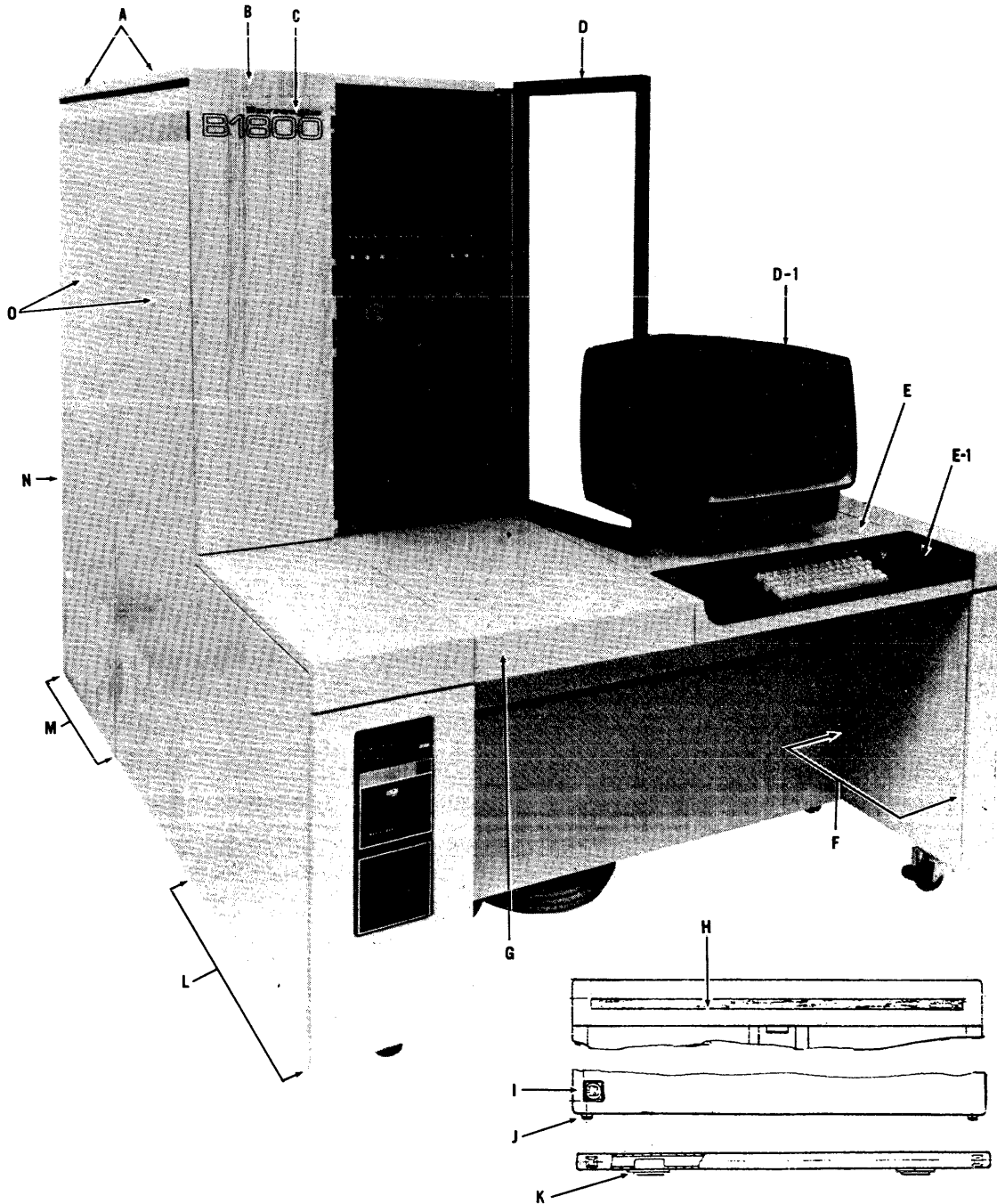
PAGE	ISSUE
iii	PCN-002
iv	PCN-002
v	PCN-002
vi	Blank
1-1 thru 1-12	Original
1-13 thru 1-17	PCN-002
1-18	Blank
2-1 thru 2-2	PCN-002
2-3 thru 2-6	Original
2-7 thru 2-12	PCN-002
2-13	Original
2-14	Blank
3-1 thru 3-4	PCN-002
3-5 thru 3-6	Original
3-7 thru 3-10	PCN-002
3-11 thru 3-18	Original
3-19 thru 3-25	PCN-002
3-26	Blank
4-1 thru 4-10	PCN-002
5-1 thru 5-15	PCN-002

INDEX

SECTION		PAGE	SECTION	PAGE
1	B1870/60		Control Board Assembly	3-12
	Blower Assembly	1-13	Input Power Assembly	3-16
	Cabinet – Card Side	1-2	Inverter Assembly	3-17
	Cabinet – Pin Side	1-3	Inverter Board Assembly	3-14
	Console Cabinet Leg Assembly (Left Side).	1-4	Output Rectifier Assemblies	3-16
	Console Cabinet Leg Assembly (Right Side)	1-5	Logic Power Supply-5, -6, -7	3-1
	Console Control Panel Assembly	1-8	Blower Bracket Assembly	3-18
	Console – Keyboard	1-7	Input Control Board Assembly	3-2
	Console Leg Assembly	1-6	Heatsink Assemblies No. 1 thru No. 3B	3-7
	Electronic Components For P.C. Cards	1-16	Heatsink Assembly No. 4	3-8
	Electronic Components for Memory Cards	1-14	Heatsink Assemblies No. 5 thru No. 7	3-9
	I/O Interface Panel & Adapter Ribbon Cables	1-12	Power Circuit Board Assembly	3-3
	Maintenance Panel – Front View	1-10	Regulator Board Assembly	3-5
	Maintenance Panel – Rear View	1-11		
	Panels	1-1	* 4 B 1985/55/15	
	Printed Circuit Cards (How to Order)	1-15	Bus Bar Assembly	2-13
	Shared Cassette Card Assembly	1-9	Console Top Assembly	2-11
2	B1865/35		Control Panel Assembly	2-9
	Bus Bar Assembly – Logic Power	2-13	DC Power Outlet Assembly	2-12
	Console Top Assembly	2-9	DDEC Voltage Regulator Addebly	4-10
	Control Panel Assembly	2-8	Electronic Components For Memory Cards	1-14
	DC Power Outlet Assembly	2-12	Electronic Components For PC Cards	1-16
	Electronic Components For Memory Cards	1-14	Expansion Cabinet - Front	2-4
	Electronic Components For PC Cards	1-16	FAN Assembly	4-9
	Expansion Cabinet – Front	2-4	Maintenance Panel Assembly	4-6
	Maintenance Panel Assembly	2-5	Maintenance Panel Board Assembly	4-7
	Maintenance Panel Board Assembly	2-7	Panels	4-1
	Panels	2-1	Power and Blower Assemblies	2-7
	Power and Blower Assemblies	2-6	Printed Circuit Cards (How to Order)	1-15
	Printed Circuit Cards (How to Order)	1-15	Processor - Front View	4-2
	Processor – Front View	2-2	Processor - Rear View	4-4
	Processor – Rear View	2-3	5 B 1905	
3	Power		Cassette Panel Assembly	5-10
	AC Power Distribution (B 1800) - External View	3-19	Console Top Assembly	5-11
	AC Power Distribution – External View	3-19	Contact Switch Assembly	5-14
	AC Power Distribution (B 1800) - Internal View	3-20	DDEC Voltage Regulator Assembly	4-10
	AC Power Distribution – Internal View	3-20	Electronic Components For Memory Cards	1-14
	AC Power Distribution (B 1900) - External View	3-21	Electronic Components For PC Cards	1-16
	AC Power Distribution (B 1900) - Internal View	3-22	Maintenance Panel Assembly	5-7
	AC Power Distribution (B 1905) - Front View	3-24	Maintenance Panel Board Assembly	5-8
	AC Power Distribution (B 1905) - Top View	3-25	Panels	5-1
	Booster Power Supply	3-10	Panel Fan Assembly	5-12
			P.O.C. Board Assembly	5-13
			Printed Circuit Cards (How to Order)	1-15
			Processor - Front View	5-2
			Processor - Side View	5-4
			Processor - Read View	5-6
			24V Control Assembly	5-15

*B 1915 is an international style only.

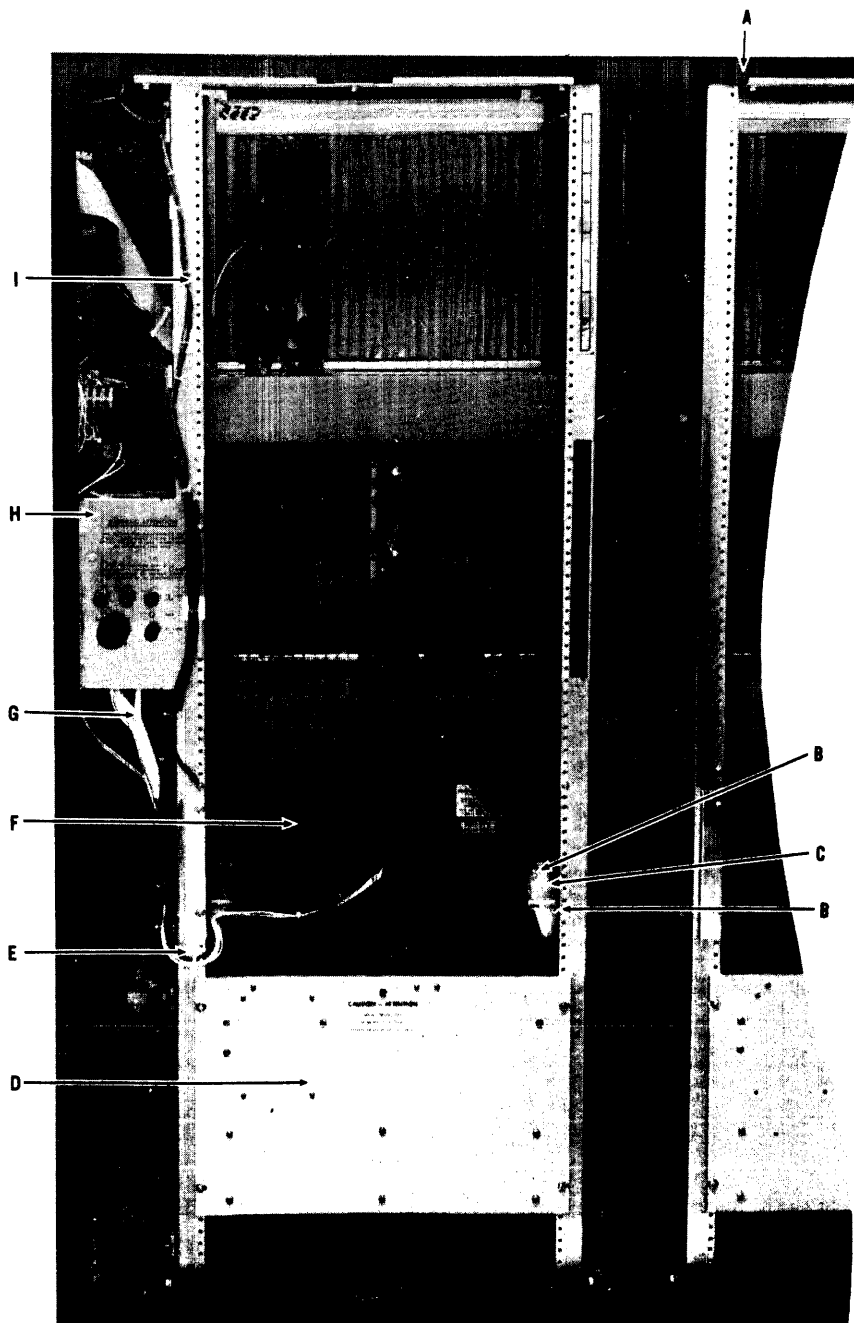
PANELS (PLATE 1-1)



PART NUMBERS (PLATE 1-1)

A	2216 1459	top panel	H	1143 1194	foam tape	O	2216 1400	side panel assembly includes H,J,K, and: 2216 1319 side panel (27.75"; 704.85mm)
B	2216 1426	front panel assembly, includes C and: 2216 1335 front panel	I	1257 4745	medallion "B"			
C	2219 7081	logo "B1800"	J	2205 4845	bumper			
D	2216 1434	glass door assembly	K	1920 2662	magnetic latch			
D-1	----	refer to Form 1093622 for parts coverage	L	----	refer to CONSOLE CABINET LEG ASSEMBLY		2216 1418	side panel assembly includes H,J,K, and: 2216 1327 side panel (29.9"; 759.46mm)
E	2222 4091	display support	M	----	extension cabinet			
E-1	2222 4828	keyboard panel	N	2216 1384	end panel assembly, includes H thru K, and: 2216 1392 end panel 2216 2549 end panel assembly (EXP. CABINET)			
F	----	refer to CONSOLE LEG ASSEMBLY						
G	2576 1123	top cover						

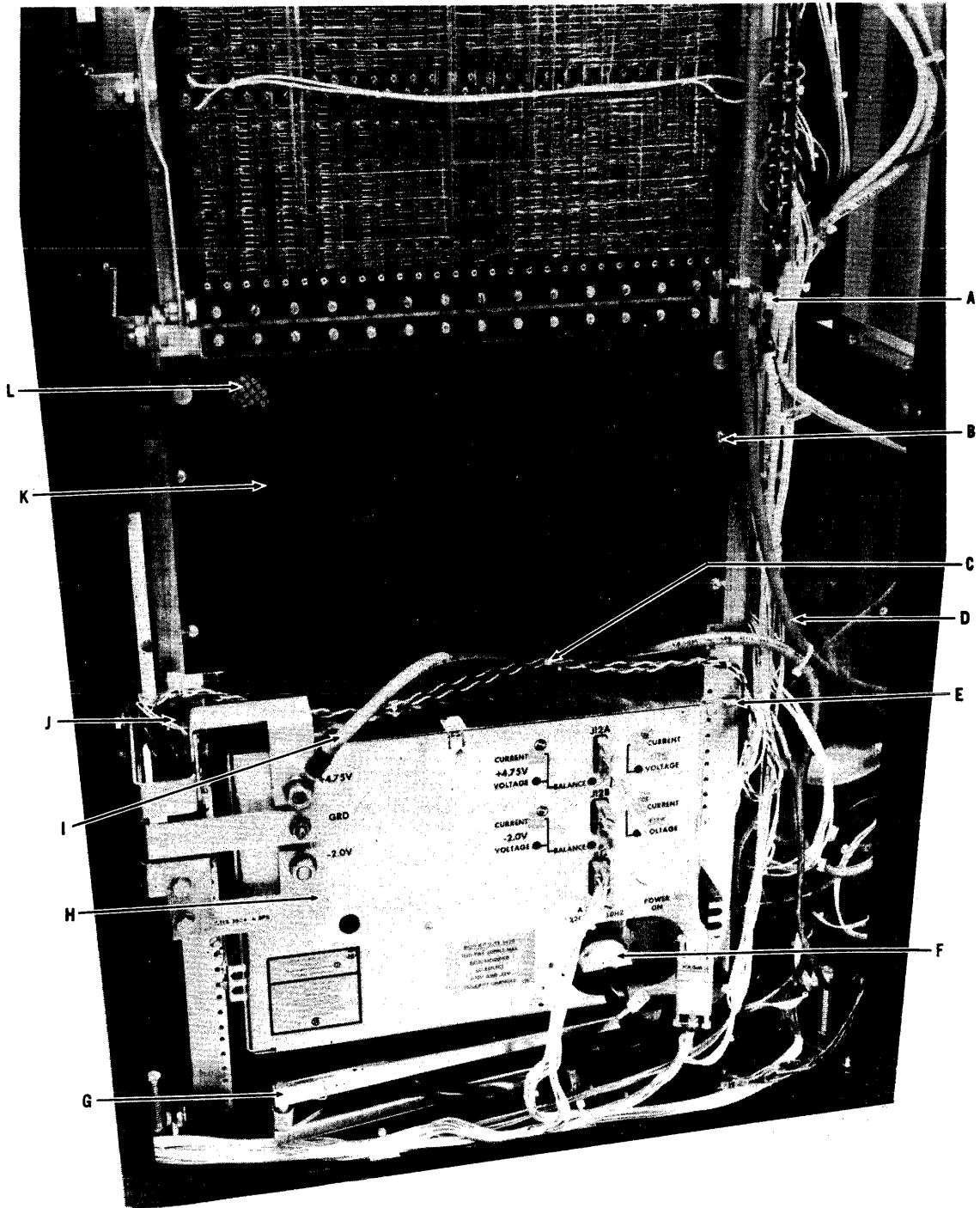
CABINET – CARD SIDE (PLATE 1-2)



PART NUMBERS (PLATE 1-2)

A	----	----	extension cabinet	G	----	----	main harness
B	1256	1460	screw, use: 1256 8051 washer 1256 7467 lockwasher 1256 5289 nut	H	2206	6021	DC power outlet assembly, use: 1150 2200 fuse holder 1102 2852 fuse (5A, SB, 125V) 1197 2064 fuse (¼A, SB, 250V)
C	2210	8203	blower support bracket	I	2219	6232	booster power sense cable
D	----	----	refer to LOGIC POWER SUPPLY-5				
E	1920	2209	strap mounting block, use: 1634 8195 cable tie strap				
F	----	----	refer to BLOWER ASSEMBLY				

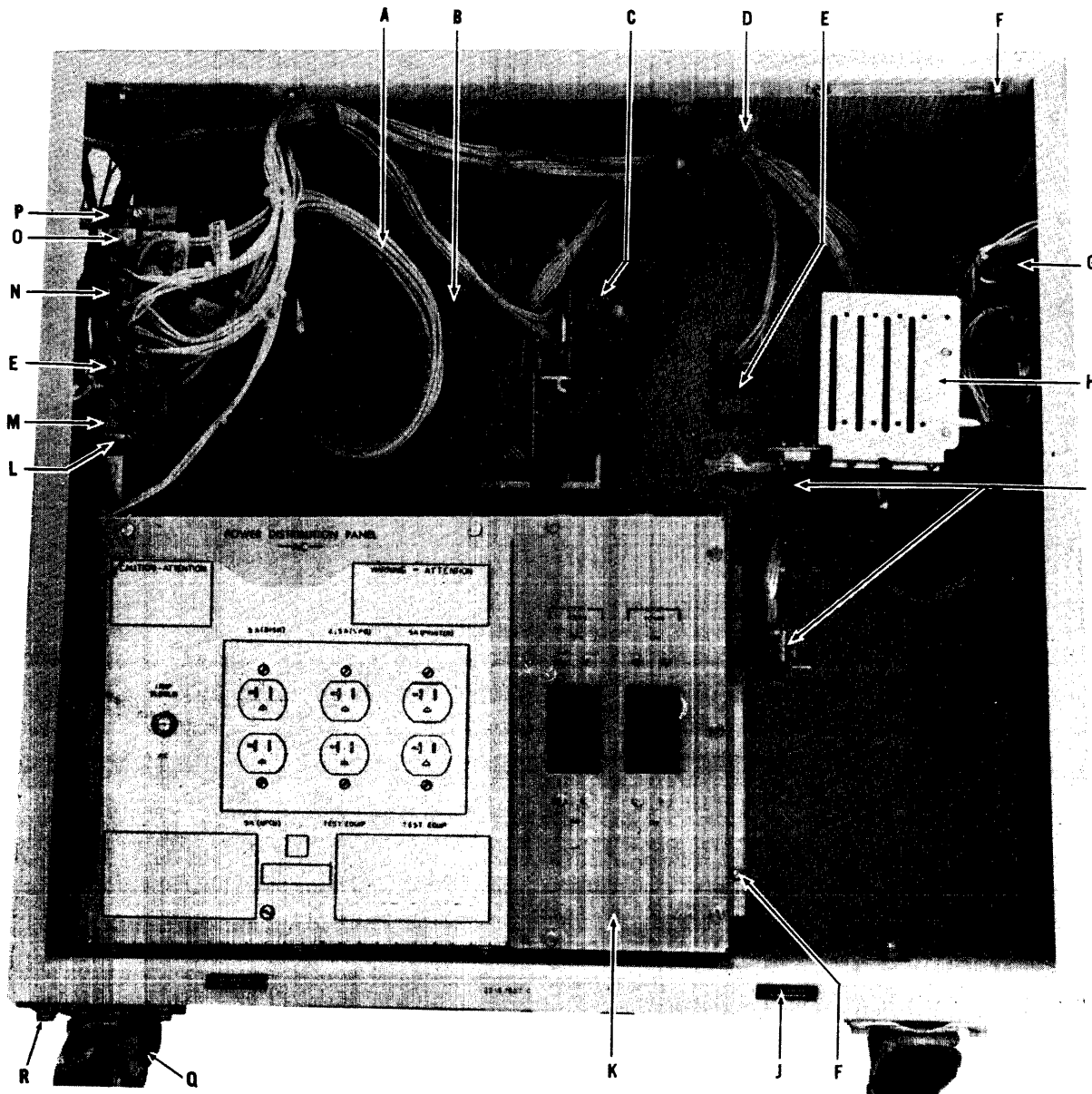
CABINET – PIN SIDE (PLATE 1-3)



PART NUMBERS (PLATE 1-3)

A	1256 6451	screw, use: 1256 8135 washer 2208 4115 lockwasher 1256 5446 nut	E	2208 5419	jumper
B	1256 1460	screw, use: 1256 8051 washer 1256 7467 lockwasher	F	2206 6245	AC 3-wire connector
C	1920 2209	strap mounting block, use: 1634 8195 cable tie strap	G	2206 0792	cable retractor
D	2216 3745	ground cable assembly	H	----	refer to LOGIC POWER SUPPLY-5
			I	2216 3737	power cable assembly
			J	2208 5328	plug-in jack
			K	----	refer to BLOWER ASSEMBLY
			L	2208 6417	air filter

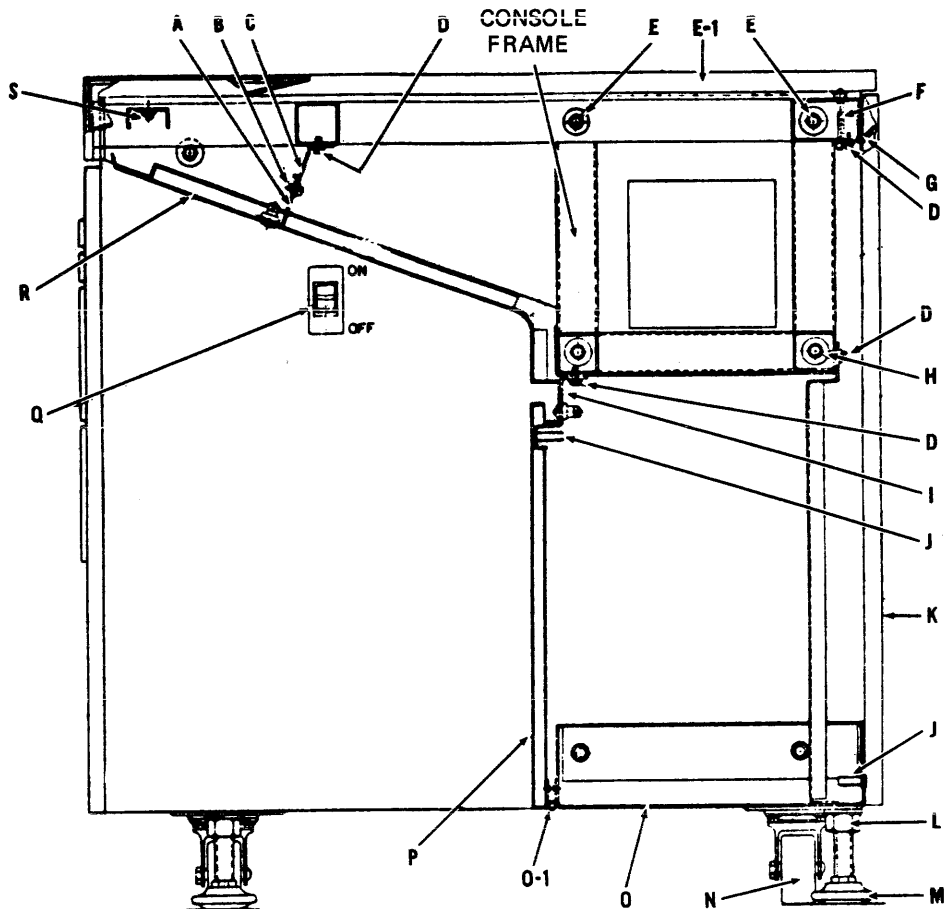
CONSOLE CABINET LEG ASSEMBLY (LEFT SIDE) (PLATE 1-4)



PART NUMBERS (PLATE 1-4)

A	2216 3224	4.75V cable assembly (P9)	J	2219 1001	magnetic latch
B	2216 3976	cassette maintenance cable assembly (P5)	K	--- ---	refer to AC POWER DISTRIBUTION – EXTERNAL VIEW
	2216 4461	card N3 cable assembly (P4)			refer to AC POWER DISTRIBUTION – INTERNAL VIEW
	2216 3984	cassette control card No. 1 cable assembly (P3)	L	1267 9395	capacitor (220 uF, 10VDC, ± 20%)
C	--- ---	refer to SHARED CASSETTE CARD ASSEMBLY	M	1103 7116	terminal
D	1920 2209	strap mounting block, use: 1634 8195 cable tie strap	N	1256 1460	screw, use: 1256 8051 washer 1256 7467 lockwasher
E	2219 3510	ON/OFF cable assembly, includes: 2212 4564 ON/OFF switch	O	1256 1502	screw, use: 1256 8051 washer 1256 7467 lockwasher 1256 5289 nut
F	2300 4633	screw, use: 1256 8051 washer 1256 7467 lockwasher	P	2216 3422	insulator block
G	--- ---	refer to CASSETTE CONTROL PANEL ASSEMBLY	Q	2219 0755	swivel caster
H	--- ---	refer to CASSETTE PARTS CATALOG (Form 1062296)	R	1256 6097	screw, use: 1256 8093 washer 1256 7483 lockwasher
I	2216 4297	cassette card No. 1 cable (P1)			
	2216 4305	cassette card No. 2 cable (P2)			

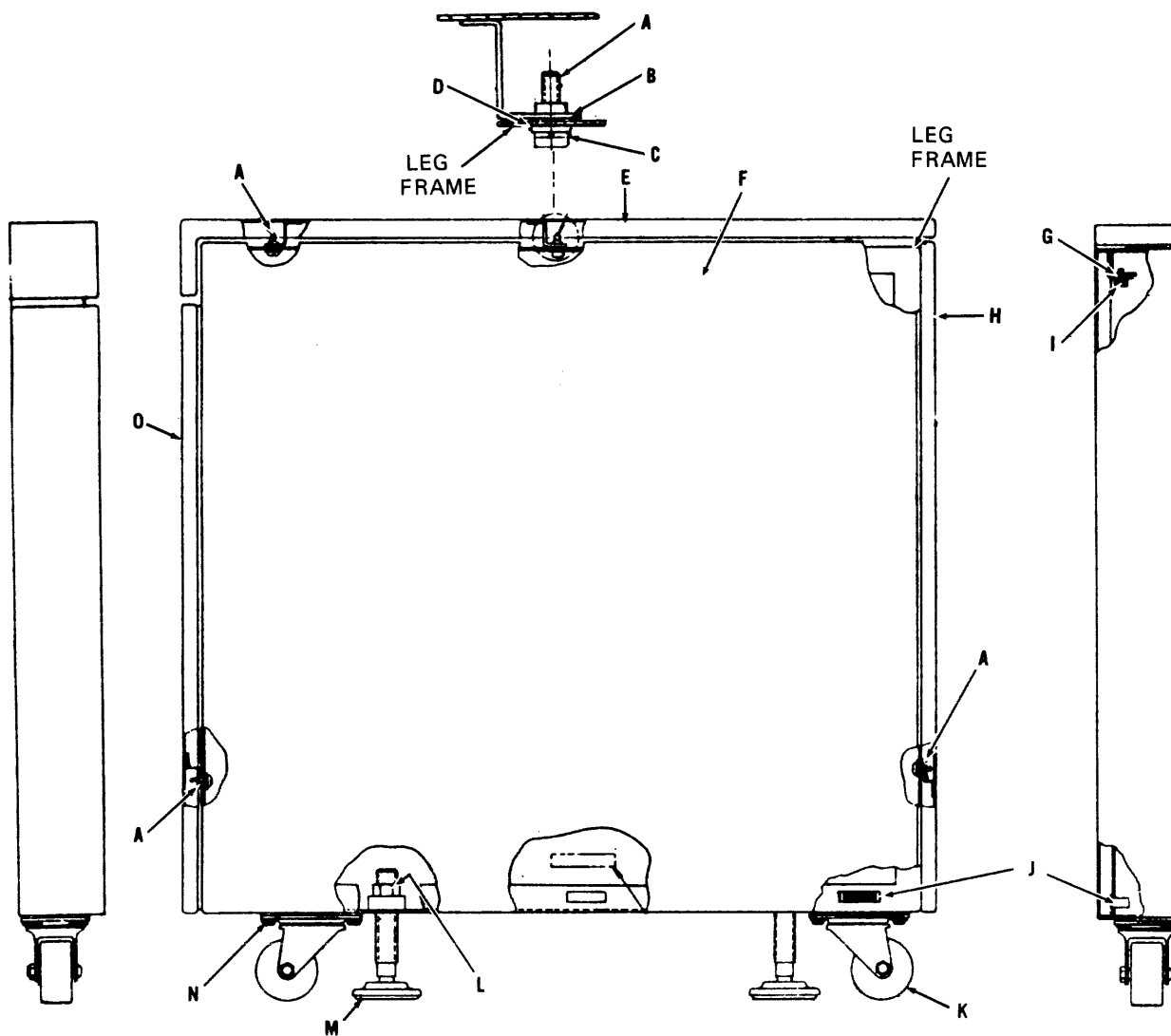
CONSOLE CABINET LEG ASSEMBLY (RIGHT SIDE) (PLATE 1-5)



PART NUMBERS (PLATE 1-5)

A	2219 3866	knee panel support	I	2216 4677	access panel bracket
B	1256 1460	screw, use:	J	2150 6605	magnet latch
		1256 8051 washer	K	2216 1566	rear panel
		1256 7467 lockwasher	L	1256 5545	nut
C	2216 4750	knee panel bracket	M	2216 1970	jack screw assembly
D	2300 4633	screw, use:	N	2219 0755	swivel caster
		1256 8051 washer	O	2216 4693	cable way (bottom)
		1256 7467 lockwasher	O-1	2219 3379	right hand hinge
E	1256 6451	screw, use:		2219 3361	left hand hinge
		1256 8135 plain washer			} use:
		1256 7509 lockwasher			1256 1106 screw
		1101 7944 washer			1256 8028 washer
E-1	1846 5385	top cover			1256 7459 lockwasher
F	1256 1387	screw, use:	P	2216 1608	1256 5206 nut
		1256 8093 washer, ¼ plain	Q	2212 4564	front access panel
		1256 8051 washer, No. 10 plain	R	2219 3353	ON/OFF switch
		1256 7467 lockwasher			knee panel assembly,
G	2216 4743	panel support			includes:
H	1256 6469	screw, use:			2222 5569 knee panel
		1256 8135 plain washer			2219 0847 ½ turn fastener
		1256 7509 lockwasher			2040 4547 nylon cup washer
		1101 7944 washer			2213 4449 foam gasket insulator

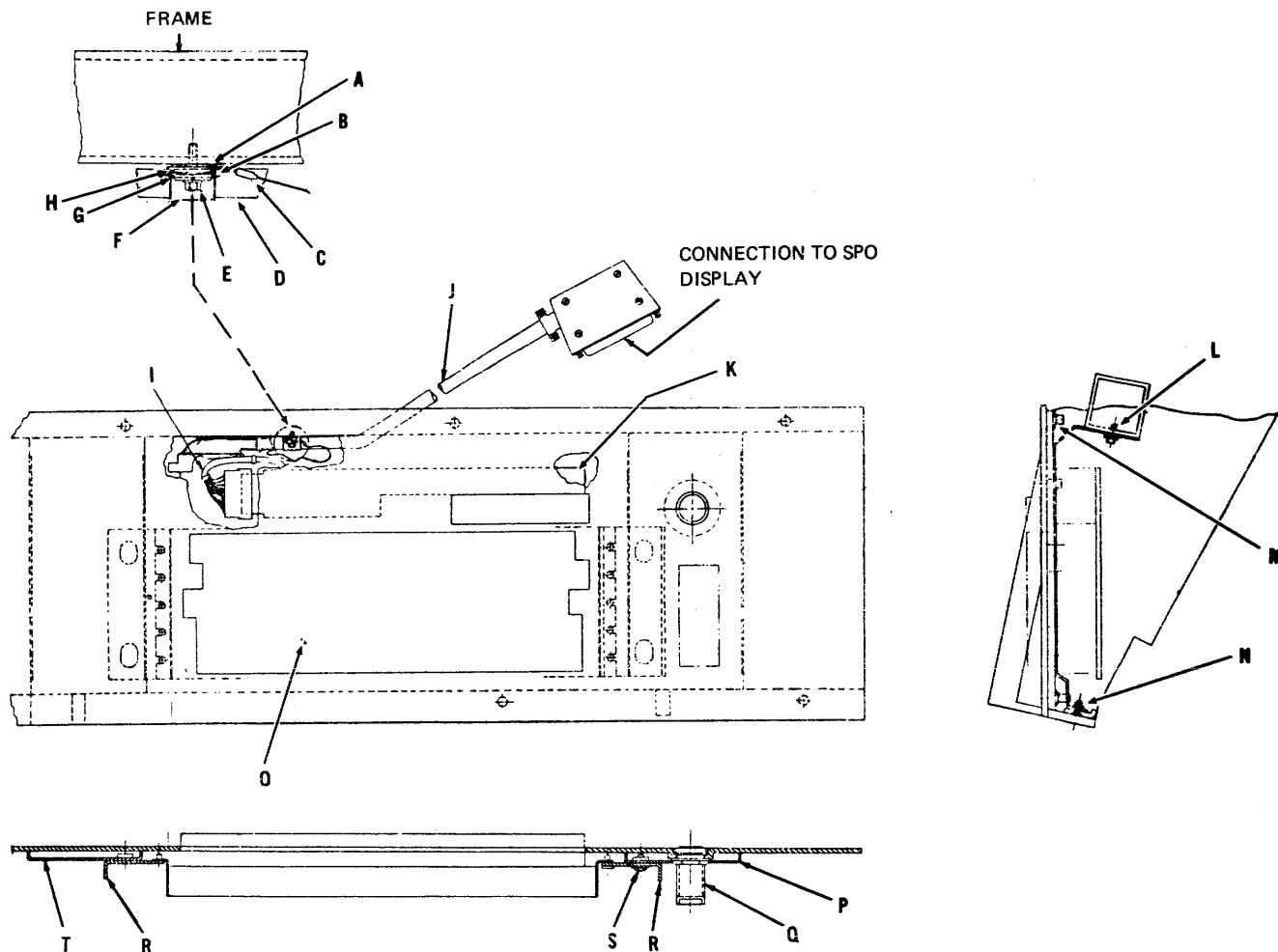
CONSOLE LEG ASSEMBLY (PLATE 1-6)



PART NUMBERS (PLATE 1-6)

A	1256 1148	screw, use: 1256 8036 washer 1256 7459 lockwasher 1194 0111 nut	I	2300 4633	screw, use: 1256 8051 washer 1256 7467 lockwasher
B	1196 7874	lockwasher	J	2219 1001	magnetic latch
C	1256 7459	lockwasher	K	2219 0755	swivel caster
D	1256 8036	washer	L	1256 5545	nut
E	2216 3109	top panel	M	2216 1970	jack screw assembly
F	2216 1665	end panel	N	1256 6097	screw, use: 1256 8093 washer 1256 7483 lockwasher
G	2216 4743	panel support	O	2216 1624	front panel
H	2216 2960	rear panel			

CONSOLE – KEYBOARD (PLATE 1-7)

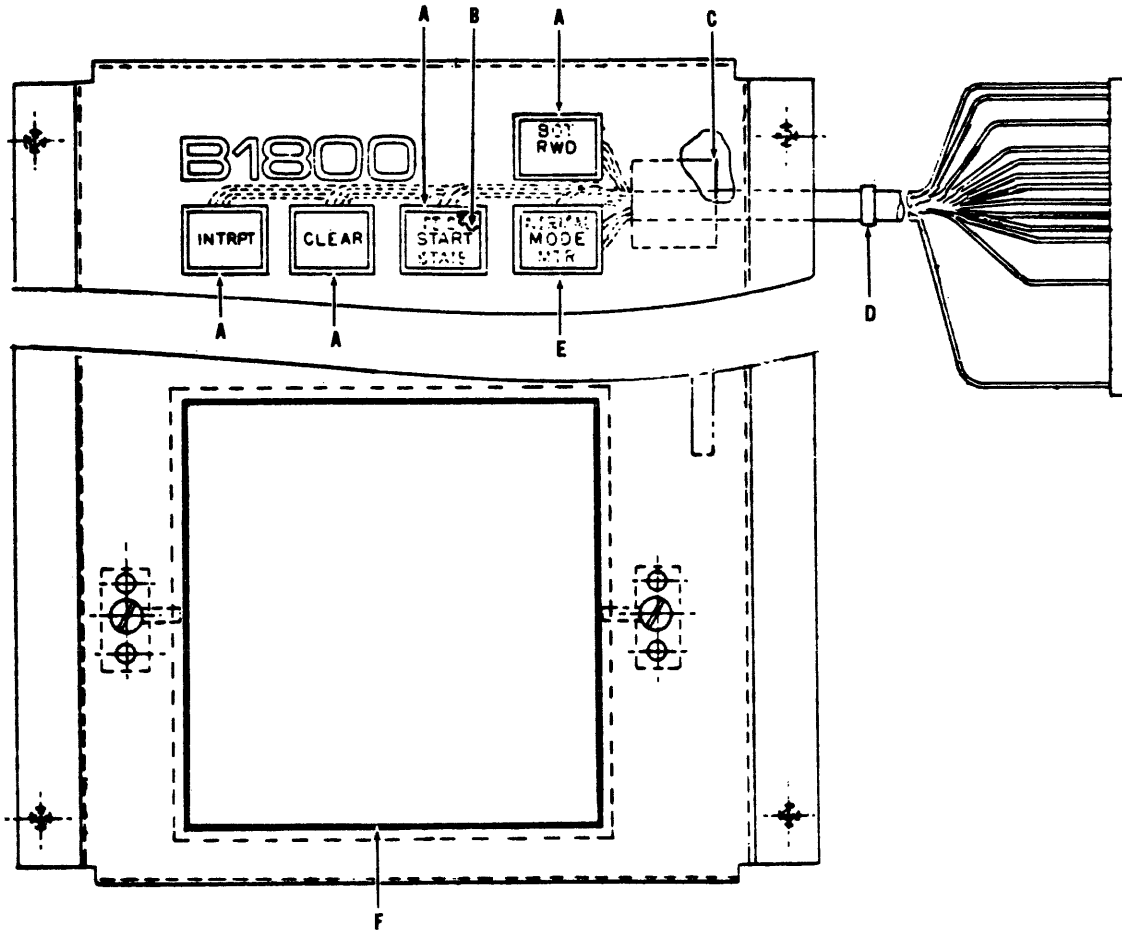


PART NUMBERS (PLATE 1-7)

NOTE: Refer to Form 1093622 for Keyboard parts not shown.

A	1344 5622	lockwasher	M	1256 5958	spring nut
B	1297 9860	lockwasher	N	1255 4929	screw, use: 1256 8028 washer 1196 7858 lockwasher
C	----	lug (part of I)	O	2553 6400	keyboard chassis assembly
D	1696 3571	cable assembly	P	1960 4388	keyboard support (RH)
E	2300 4484	screw	Q	1699 9542	keylock
F	1117 8647	cable clamp	R	1958 2782	keyboard support bracket
G	1256 8010	washer	S	1256 1460	screw, use: 1256 8051 washer 1256 7467 lockwasher
H	2552 0370	washer	T	1958 2907	keyboard support (LH)
I	1696 4603	harness assembly			
J	1696 3571	cable assembly			
K	2551 9141	indicator board assembly			
L	2300 4542	screw, use: 1256 8036 washer 1196 7874 lockwasher			

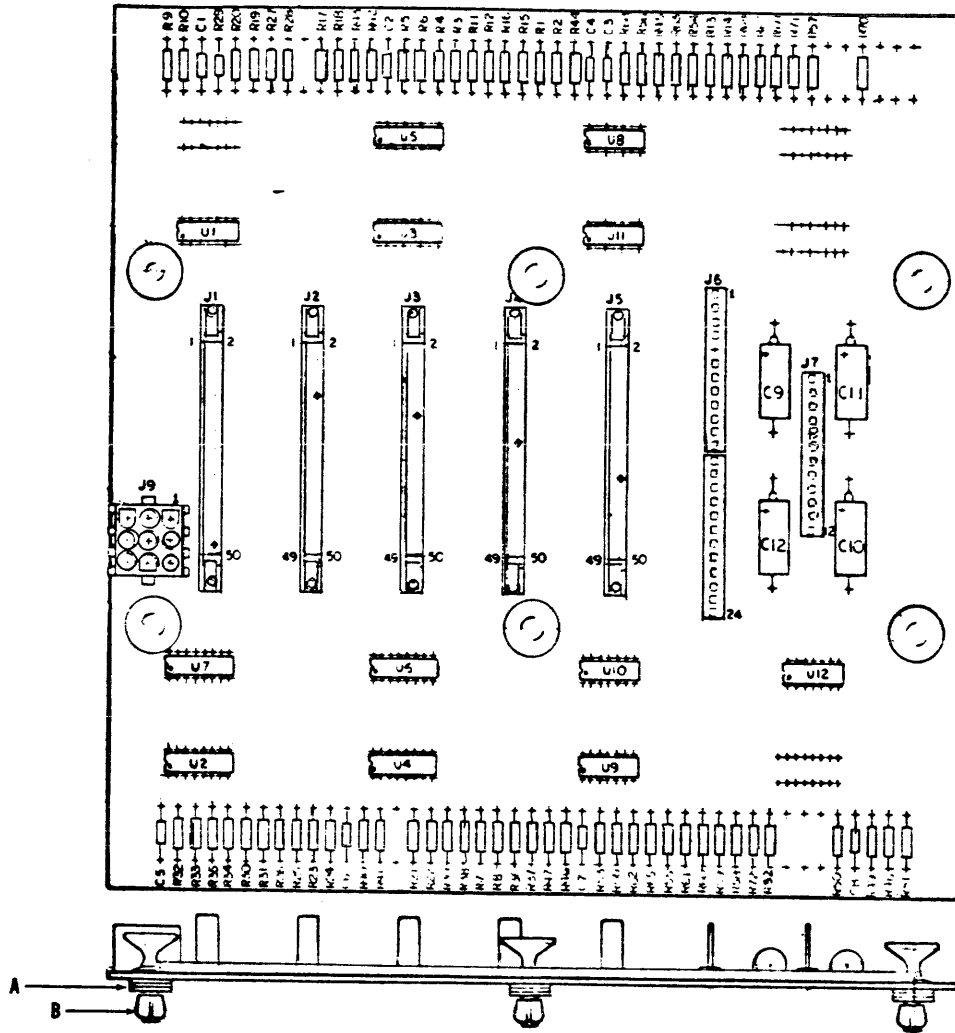
CONSOLE CONTROL PANEL ASSEMBLY (PLATE 1-8)



PART NUMBERS (PLATE 1-8)

- | | | |
|---|-----------|--|
| A | 2212 4358 | PB switch (momentary), use B and:
2212 4457 lens module "START"
2212 4473 lens module "RWD"
2212 4440 lens module "CLEAR"
2212 4432 lens module "INTRPT" |
| B | 1534 7040 | lamp, 12V |
| C | 1920 2209 | strap mounting block, use:
1634 8195 cable tie strap |
| D | 1112 0599 | cable strap |
| E | 2212 4374 | PB switch (alternate action), use B and:
2212 4465 lens module "MODE" |
| F | 2472 6499 | filler bezel |

SHARED CASSETTE CARD ASSEMBLY (PLATE 1-9)

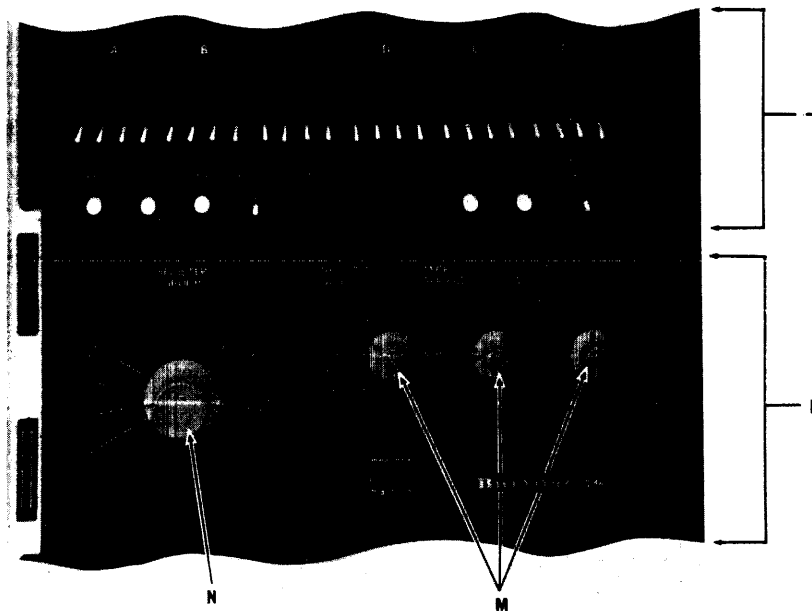
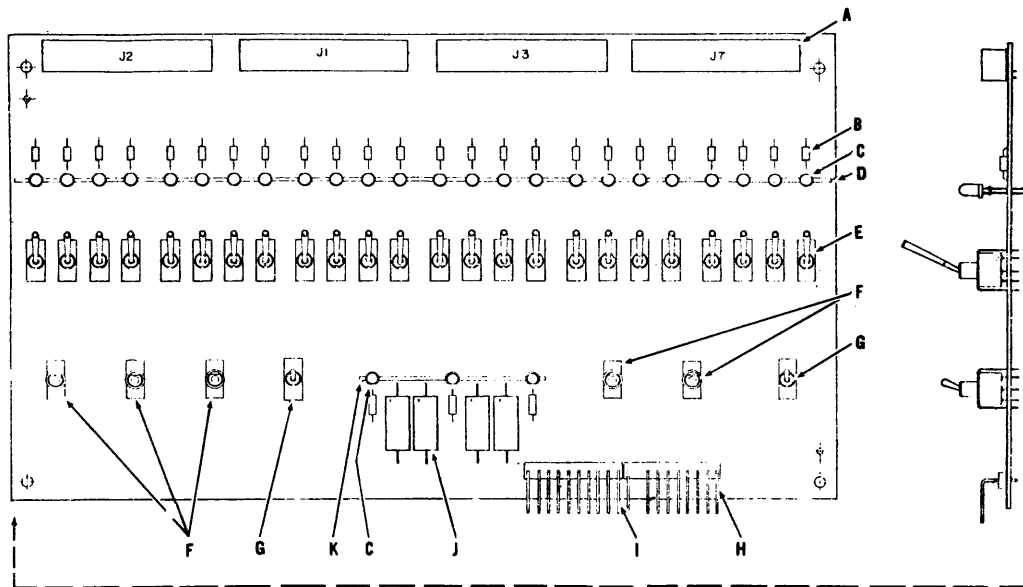


PART NUMBERS (PLATE 1-9)

2216 1590 complete shared cassette board assembly

CAPACITORS						INTEGRATED CIRCUITS		
.1 uF	50VDC	±20%	C1 thru C8	2300	5820	BUFFER (QUAD, TRI-STATE)	U2 thru U7	1948 5051
100 uF	20VDC	±20%	C9, C10, C11	1267	9361	BUFFER (QUAD, 2-IN NAND)	U8, U10, U11	1674 4963
220 uF	10VDC	±20%	C12	1267	9395	GATE (3-IN NAND)	U12	1447 3581
RESISTORS						HEX BUFFER (TRI-STATE)	U9	1486 8780
42.2 ohm	¼W	1%	R58 thru R61, R72	1142	6780	HEX INV (OPEN-COL)	U1	2602 7300
237 ohm	¼W	1%	R2, R4, R6, R10, R12, R14, R16, R18, R20, R22, R24, R26, R28, R31, R33, R35, R37, R39, R41, R43, R45, R47 thru R51, R53, R57, R52, R64, R66, R70	1111	8585			
348 ohm	¼W	1%	R1, R3, R5, R7, R9, R11, R13, R15, R17, R19, R21, R23, R25, R30, R32, R34, R36, R38, R40, R42, R44, R46, R54, R55, R56, R62, R63, R67, R68, R69, R71	1142	7002			
1K	¼W	1%	R29	1142	7119			
						MISCELLANEOUS		
						grommet (nylon)	A	2212 4788
						spacer	B	2011 2306

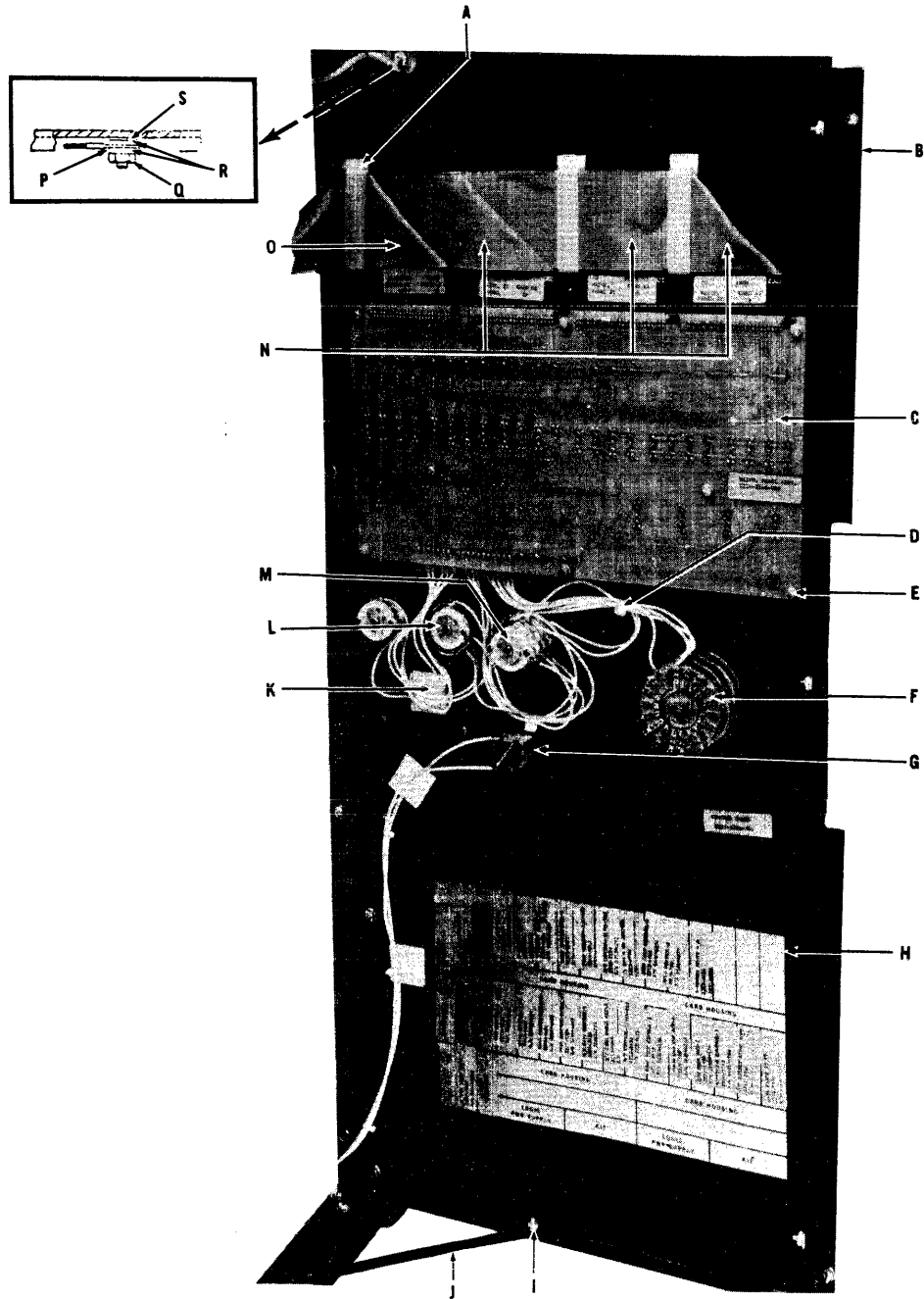
MAINTENANCE PANEL – FRONT (PLATE 1-10)



PART NUMBERS (PLATE 1-10)

2216 2168	complete maintenance board assembly	F	2212 4341	push button switch (momentary)	K	2216 2788	standoff, use: 2208 7670 wire wrap terminal	
A	2212 7997	connector header (50 pin)	G	2212 4333	toggle switch	L	--- --- refer to MAINTENANCE PANEL – REAR	
B	1111 8478	resistor (82.5 ohm, 1/4W, 2%)	H	2216 3042	right angle connector module	M	2206 7433	knob.
C	2212 4382	L.E.D. (red), 27 required	I	2212 4606	right angle connector module	N	2206 7425	knob
D	2216 2770	standoff, use: 2208 7670 wire wrap terminal	J	1267 9395	capacitor (220 uF, 10VDC, ± 20%)			
E	2212 4325	toggle switch, 24 required						

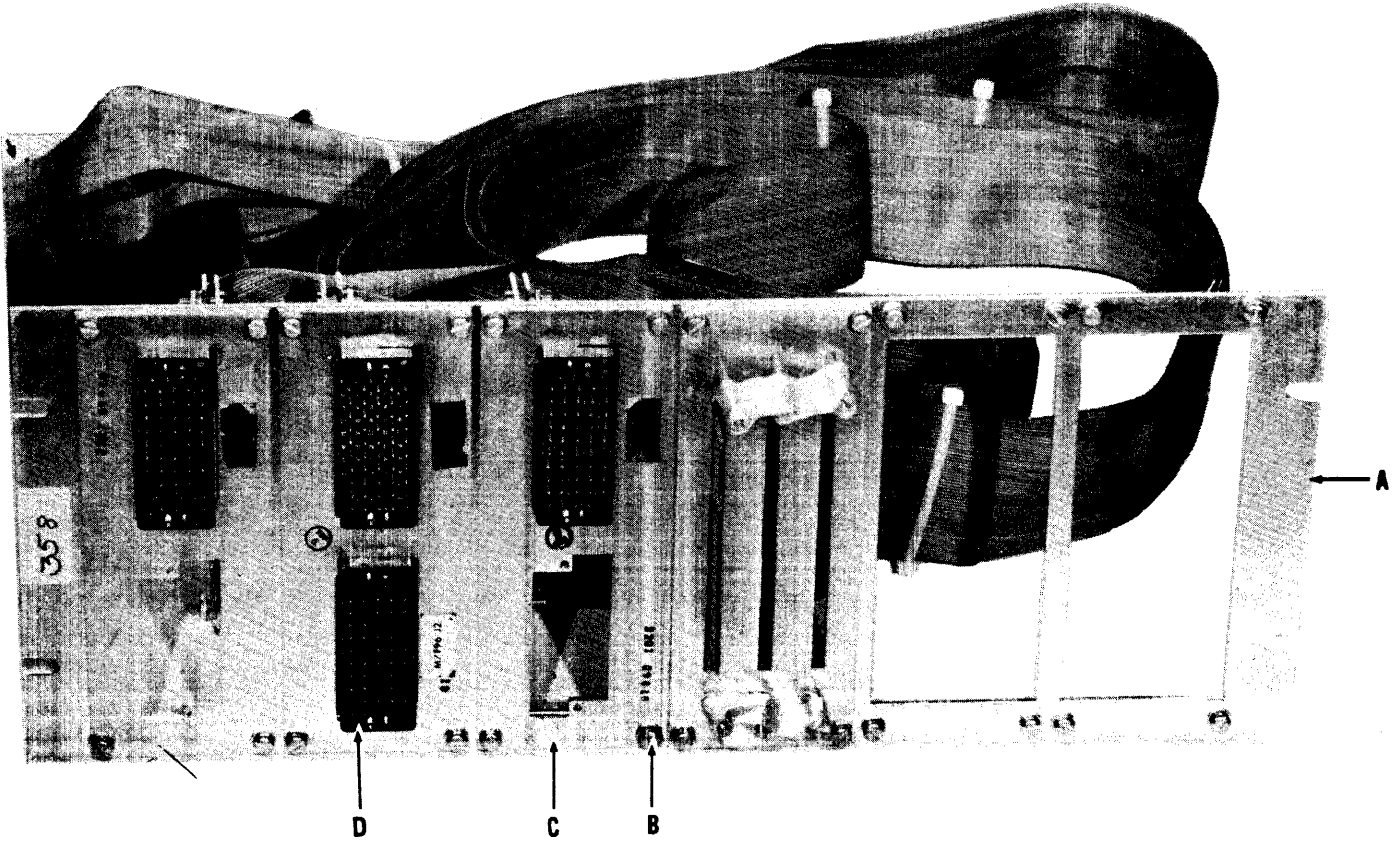
MAINTENANCE PANEL – REAR VIEW (PLATE 1-11)



PART NUMBERS (PLATE 1-11)

A	1920 2209	strap mounting block	G	2212 4481	lens module	N	2212 1891	ribbon cable (J3 to card E3 Y\$)
B	2216 2614	maintenance panel angle, use: 1256 7467 lockwasher 1256 8044 washer 1256 5289 nut	H	2216 4560	system configuration plate, use: 2155 6618 adhesive tape			ribbon cable (J2 to card A3 Y#)
C	2216 2168	refer to MAINTENANCE PANEL – FRONT VIEW	I	1256 0843	screw, use: 1256 8010 washer 1256 7442 lockwasher			ribbon cable (J1 to card A3 Y\$)
D	1112 0599	cable strap	J	2219 6034	door retainer, use: 2219 1365 nylon spacer 2205 9976 nut	O	2216 3976	ribbon cable (J7 to shared cassette J5)
E	1256 0843	screw, use: 2157 0270 spacer 1256 8010 washer 1256 7442 lockwasher	K	1634 8195	cable tie strap	P	2208 5419	jumper
F	2201 3692	rotary switch, use: 2206 7425 knob	L	2205 9463	rotary switch	Q	1256 5289	nut
			M	2212 4390	rotary switch	R	1256 8044	washer
						S	1196 7882	lockwasher

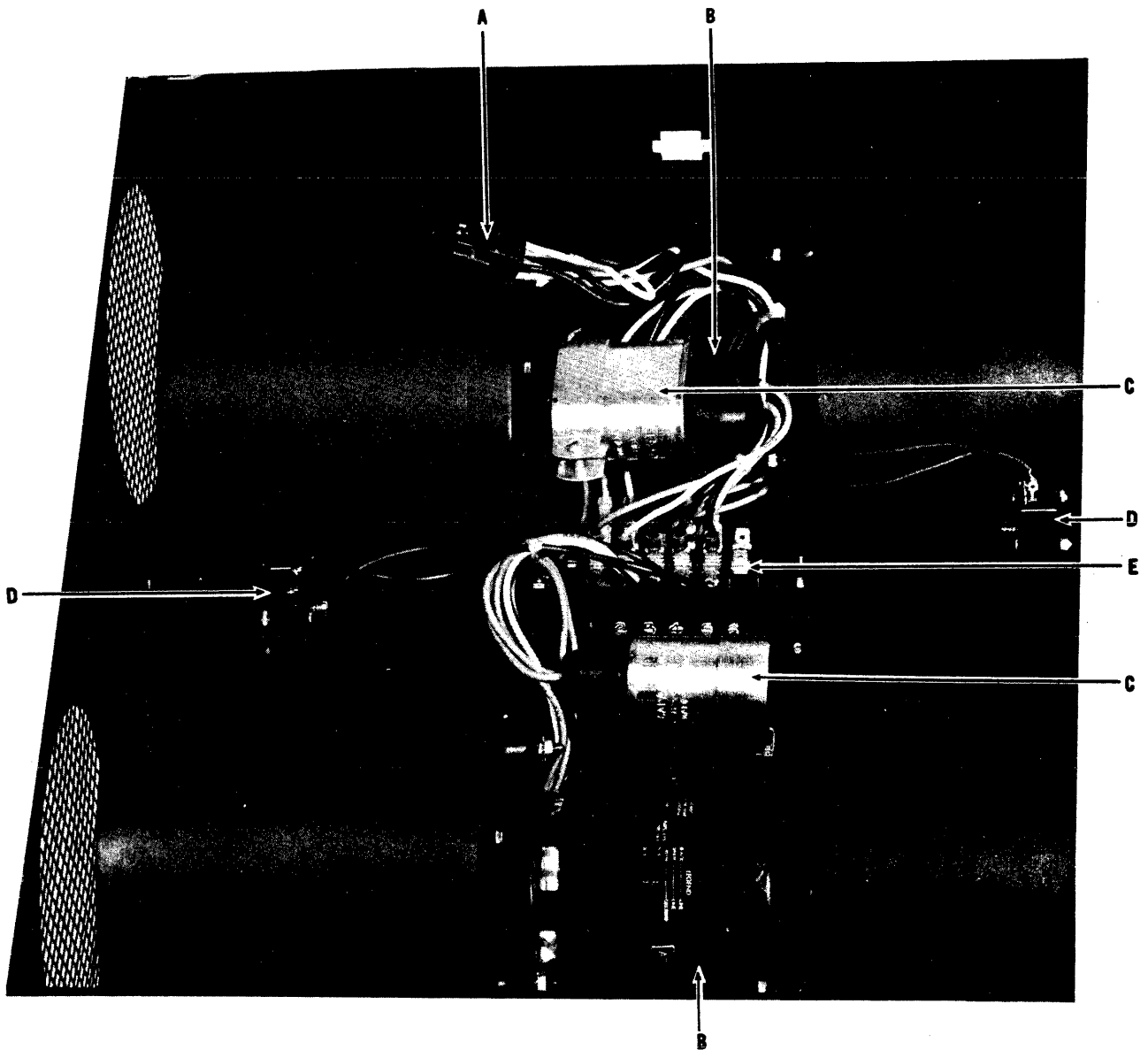
I/O INTERFACE PANEL & ADAPTER RIBBON CABLES (PLATE 1-12)



PART NUMBERS (PLATE 1-12)

A	2204 3111	interface panel
B	1256 1486	screw, use: 1256 8051 washer 1256 7749 lockwasher
C	2207 0981	mounting place
D	2206 6575	connector shell (50 pin), use: 2206 6591 contact pins 1472 3415 screw 1472 3423 screw 1256 7426 lockwasher 1256 5206 nut

BLOWER ASSEMBLY (PLATE 1-13)



PART NUMBERS (PLATE 1-13)

	2209 6101	complete blower assembly
A	2206 9413	connector plug, 9 pin, use: 2206 9538 contact pins
B	2208 6284	motor, 220V, 50/60 Hz
C	2208 6045	capacitor 4 uF, 370V, 6%
D	2208 6276	switch
E	2208 6292	terminal block, use: 1111 6324 fast-on terminal lugs

NOTE: Use 2208 6417 air filter.

ELECTRONIC COMPONENTS FOR MEMORY CARDS (PLATE 1-14)

CAPACITORS

2300 5820	.1uF	50V	20%
1267 9189	15uF	20V	20%
1267 9213	22uF	35V	20%
1267 9221	33uF	10V	20%
1267 9353	100uF	10V	20%
1105 6694	180uF	6V	20%

DIODES

2625 5794	1A	20V	
2625 5109	3A	30V	
1115 9860	type 19		
1105 9052	1N751A	(zener 5.1V)	
1677 1198	1N754	(zener 6.8V)	
1117 9561	1N4002		

INTEGRATED CIRCUITS

The part number for ordering integrated circuits is stamped on the I.C. chip itself and/or noted on the documents shipped with each system.

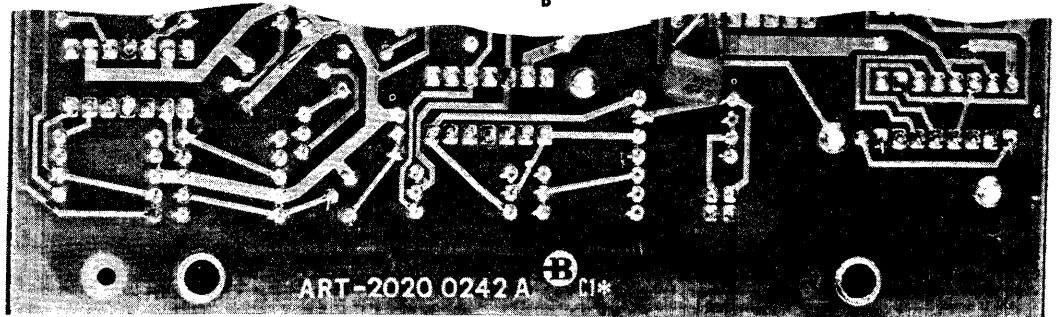
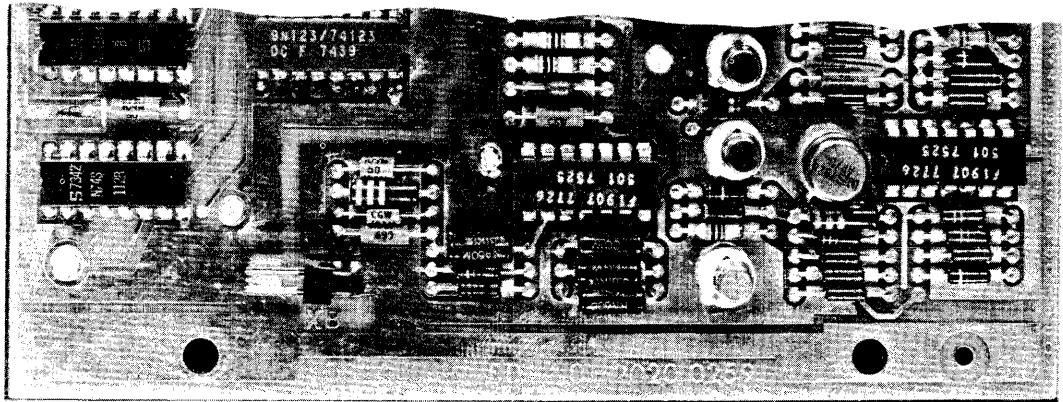
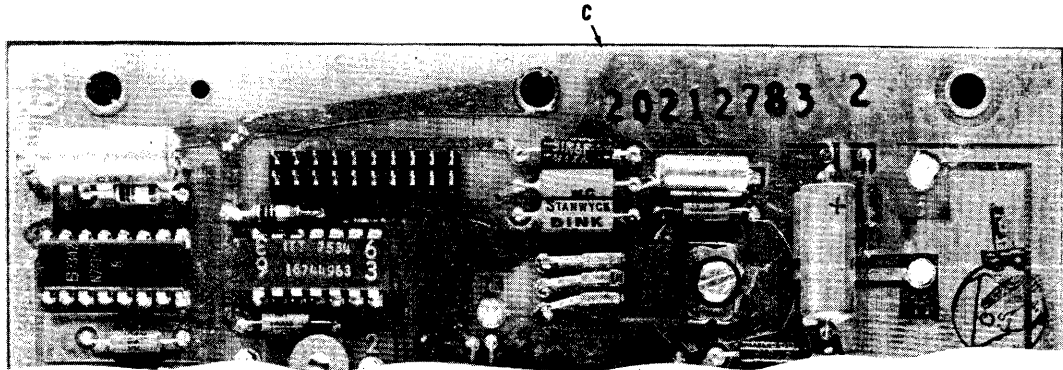
RESISTORS

1265 3531	24 ohm	1/4W	5%
1265 3655	36 ohm	1/4W	5%
1265 3770	51 ohm	1/4W	5%
1268 1011	56 ohm	1/4W	5%
2206 6732	82 ohm	1/2W	2%
1268 1060	91 ohm	1/4W	5%
2206 6823	91 ohm	1/2W	2%
1268 1078	100 ohm	1/4W	5%
2206 6740	100 ohm	1/2W	2%
2206 6757	120 ohm	1/2W	2%
1268 1102	130 ohm	1/4W	5%
2206 6765	130 ohm	1/2W	2%
1268 1110	150 ohm	1/4W	5%
2212 2758	150 ohm	.3W	5%
2206 6773	150 ohm	1/2W	2%
1268 3256	150 ohm	1W	5%
1111 8551	178 ohm	1/4W	5%
1268 1136	180 ohm	1/4W	2%
2206 6849	200 ohm	1/2W	2%
1268 2159	200 ohm	1/2W	5%
1268 3280	200 ohm	1W	5%
1268 1151	220 ohm	1/4W	5%
2212 2733	220 ohm	.3W	5%
2206 6807	220 ohm	1/2W	2%
1268 2175	240 ohm	1/2W	5%
1111 8593	261 ohm	1/4W	2%
1111 8601	287 ohm	1/4W	2%
1268 1185	300 ohm	1/4W	5%
1111 8619	316 ohm	1/4W	2%
1111 8627	348 ohm	1/4W	2%
1111 8635	383 ohm	1/4W	2%
1268 1227	430 ohm	1/4W	5%
1111 8650	464 ohm	1/4W	2%
1268 1235	470 ohm	1/4W	5%
2212 2766	470 ohm	.3W	5%
1268 1243	510 ohm	1/4W	5%
1111 8668	511 ohm	1/4W	2%
2212 2774	680 ohm	.3W	5%
1111 8734	1K	1/4W	2%
1268 1318	1K	1/4W	5%
1111 8759	1.21K	1/4W	2%
1111 8916	5.62K	1/4W	2%

TRANSISTORS

1141 5932	type BH	(2N3253)	
-----------	---------	----------	--

PRINTED CIRCUIT CARDS (PLATE 1-15)
(HOW TO ORDER)



HOW TO ORDER CIRCUIT CARDS			
	A ETCHED NUMBER	B ETCHED NUMBER	C STAMPED NUMBER
EXAMPLE:	ART-20200242	BD-20200259	2021 2783
DESCRIPTION:	ART WORK NO.	BARE BOARD NO.	CARD ASSY. NO.
INSTRUCTION:	DO NOT ORDER	DO NOT ORDER	ORDER THIS

ELECTRONIC COMPONENTS FOR P.C. CARDS (PLATE 1-16)

PART NUMBER	DESCRIPTION		
CAPACITORS			
1269 5227	10pF	50 VDC	20%
1127 8595	100pF	100 VDC	.5%
2300 5515	330pF	50 VDC	20%
2300 5531	470pF	50 VDC	20%
2205 9299	600pF	100 VDC	10%
2300 5572	1000pF	50 VDC	20%
2300 5655	4700pF	50 VDC	20%
1104 8022	.001uF	100 VDC	5%
2300 5614	.0022uF	50 VDC	20%
2300 5697	.01uF	50 VDC	20%
2300 5820	.1uF	50 VDC	20%
2200 0905	.1uF	50 VDC	+80-20%
2225 9006	.47uF	50 VDC	10%
1119 7795	.47uF	50 VDC	20%
2208 8256	.47uF	200 VDC	10%
2208 8306	.47uF	600 VDC	10%
1907 8815	1.0uF	50 VDC	20%
2200 7058	1.0uF	50 VDC	+80-20%
2219 1530	8uF	200 VDC	20%
2010 0715	33uF	4 VDC	10%
1267 9361	100uF	20 VDC	20%
1105 6694	180uF	6 VDC	20%
1267 9395	220uF	10VDC	20%
2204 7666	1000uF	10VDC	+20-15%
2300 5572	1000uF	50VDC	20%
2212 3442	1500uF	400VDC	+50-10%
1213 3096	4000uF	15VDC	
2212 3095	4000uF	30VDC	
2212 3103	5800uF	40VDC	+50-10%
2208 8074	3,000uF	200VDC	+75-10%
2208 3414	11,500uF	18VDC	
1944 2797	33,000uF	10VDC	+20-10%
DIODES			
1166 8274	1N704V		
1105 9052	1N751A		
1126 3258	1N756A		
1319 0095	1N762A		
1115 1784	1N823		
1117 9561	1N4002		
1627 0175	1N4148		
2208 6011	1N4448		
2208 7035	1N4753A		
1102 7927	2N1595		
2158 3323	2N4184		
2219 1290	Bridge Rectifier		
2208 6847	DRS1851		
1440 8280	FMC G21GB		
2208 6862	ID301		
2208 6854	DRS1851R		
2219 1571	Power Rectifier, 50A		
2208 6912	SOM		
2208 6953	SS2956		
2208 8058	SS2992		
2208 6888	S2F		
2208 6896	S2M		
2208 7316	S32100		
2208 6904	S6M		
2204 6981	Type LVA, 47A		
1106 0936	Type 13		

PART NUMBER	DESCRIPTION		
1115 9860	Type 19, 60V		
1179 6828	zener 5.2V		
2216 1681	16RC60A		
2208 8041	40C60		
1102 2852	5A, SB		
1110 1979	6A, 250V		
1197 2064	25A, 250V		
INTEGRATED CIRCUITS			
The part number for ordering integrated circuits is stamped on the I.C. chip itself and/or noted on the documents shipped with each system.			
LAMPS			
2201 3700	lamp		
2212 4382	LED (red)		
1534 7040	12V		
2212 4424	24V		
OSCILLATORS			
2204 4176	8 MHz (crystal)		
2212 2584	8 MHz oscillator (IC)		
2314 2847	12 MHz oscillator (crystal)		
2219 2074	18 MHz (crystal)		
1956 8963	24 MHz oscillator (crystal)		
POTENTIOMETERS			
2212 3806	10 ohm	3W	
2212 3814	100 ohm	.3W	10%
2208 7100	250 ohm	¼W	30%
2208 7118	1K	¼W	30%
2208 7126	5K	½W	10%
2208 8421	5K	1/3W	10%
2205 6063	5K	1/3W	10%
2205 6071	10K	1/3W	10%
2155 6303	10K	¼W	10%
2155 6311	20K	¼W	10%
2208 7134	25K	¼W	30%
RESISTORS			
2009 1435	1 ohm	1/2W	5%
2208 7175	3.3 ohm	1/2W	1%
1111 8338	21.5 ohm	1/4W	2%
2219 1621	25 ohm	20W	5%
1102 4700	27 ohm	5W	5%
1111 8395	38.3 ohm	1/4W	2%
1142 6780	42.2 ohm	1/4W	1%
1111 8403	42.2 ohm	1/4W	2%
2208 8454	50 ohm	12W	5%
1111 8429	51.1 ohm	1/4W	2%
1111 8437	56.2 ohm	1/4W	2%
1111 8445	61.9 ohm	1/4W	2%
1111 8460	75 ohm	1/4W	2%
2206 6732	82 ohm	1/2W	2%
1111 8478	82.5 ohm	1/4W	2%
1114 8558	82.5 ohm	1/2W	1%
1102 4601	82.5 ohm	5W	1%
1111 8486	90.9 ohm	1/4W	2%
2206 6823	91 ohm	1/2W	2%
1111 8494	100 ohm	1/4W	2%
2206 6740	100 ohm	1/2W	2%

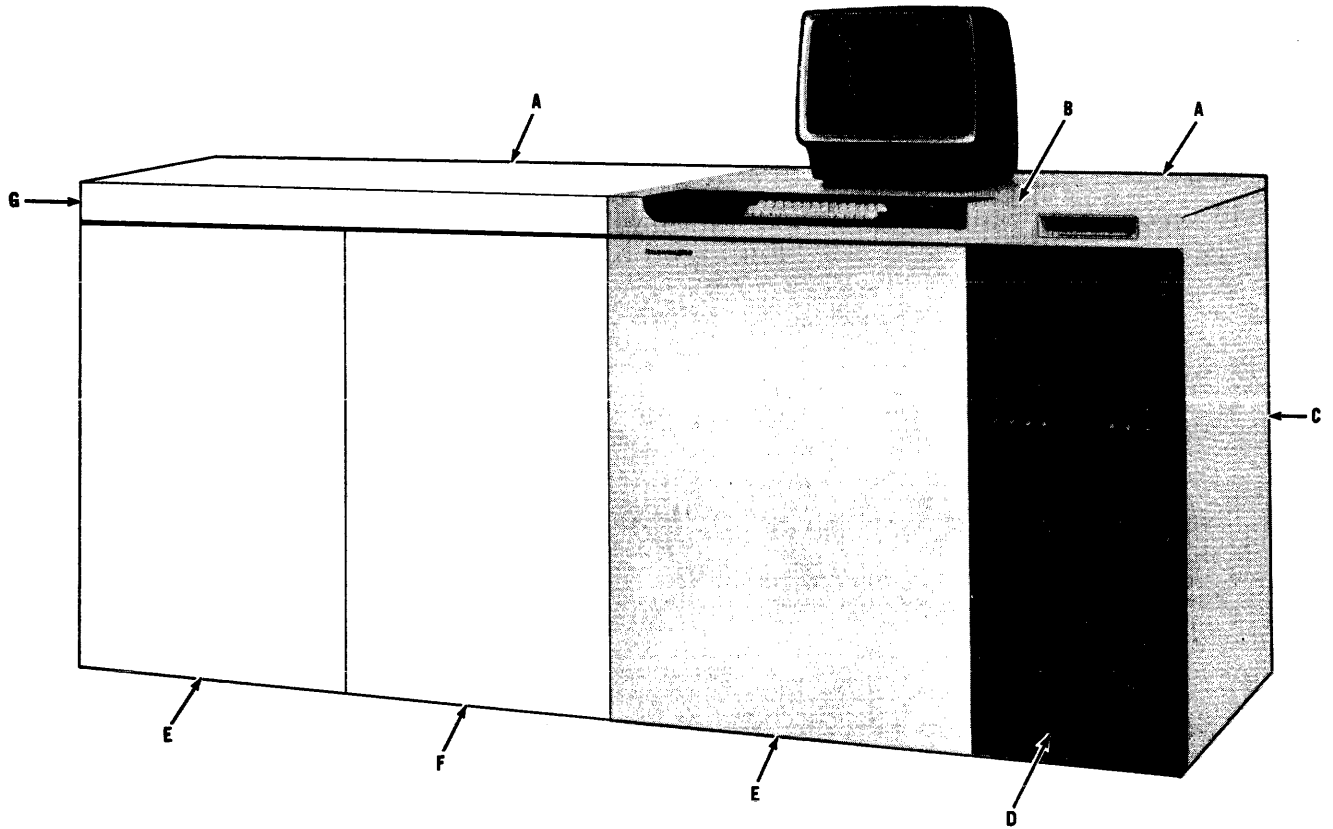
ELECTRONIC COMPONENTS FOR P.C. CARDS (PLATE 1-16) CONTINUED

PART NUMBER	DESCRIPTION		
RESISTORS CONTINUED			
1102 4619	100 ohm	5W	1%
2206 6831	110 ohm	1/2W	2%
2206 6757	120 ohm	1/2W	2%
1111 8510	121 ohm	1/4W	2%
2206 6765	130 ohm	1/2W	2%
1111 8528	133 ohm	1/4W	2%
1114 8608	133 ohm	1/2W	1%
1111 8536	147 ohm	1/4W	2%
1114 8616	147 ohm	1/2W	1%
1268 5798	150 ohm	1/8W	5%
2206 6773	150 ohm	1/2W	2%
2206 6781	160 ohm	1/2W	2%
1111 8544	162 ohm	1/4W	2%
1114 8624	162 ohm	1/2W	1%
1111 9310	169 ohm	1/4W	2%
1111 8551	178 ohm	1/4W	2%
2206 6799	180 ohm	1/2W	2%
1111 8569	196 ohm	1/4W	2%
2206 6849	200 ohm	1/2W	2%
1111 8577	21.5 ohm	1/4W	2%
2206 6807	220 ohm	1/2W	2%
1142 6962	237 ohm	1/4W	1%
1111 8585	237 ohm	1/4W	2%
2206 6815	240 ohm	1/2W	2%
1111 9328	249 ohm	1/4W	2%
1111 8593	261 ohm	1/4W	2%
1111 8601	287 ohm	1/4W	2%
1114 8699	287 ohm	1/2W	2%
1111 8619	316 ohm	1/4W	2%
1142 7002	348 ohm	1/4W	1%
1111 8627	348 ohm	1/4W	2%
1111 8635	383 ohm	1/4W	2%
1268 5418	390 ohm	1W	5%
1111 8643	422 ohm	1/4W	2%
1900 1163	453 ohm	1/2W	1%
1111 8650	464 ohm	1/4W	2%
1111 8668	511 ohm	1/4W	2%
1111 8676	562 ohm	1/4W	2%
1114 9390	604 ohm	1/2W	1%
1111 8684	619 ohm	1/4W	2%
1900 1403	634 ohm	1/2W	1%
1111 8692	681 ohm	1/4W	2%
1268 8339	732 ohm	1/2W	1%
1111 8700	750 ohm	1/4W	2%
1111 8718	825 ohm	1/4W	2%
1268 8362	845 ohm	1/2W	1%
1142 7119	1K	1/4W	1%
1111 8734	1K	1/4W	2%
1268 2324	1K	1/2W	5%
1111 8742	1.1K	1/4W	2%
1268 8404	1.18K	1/2W	1%
1111 8759	1.21K	1/4W	2%
1111 8767	1.33K	1/4W	2%
1907 9375	1.43K	1/2W	1%
1111 8775	1.47K	1/4W	2%
2206 6864	1.47K	1/2W	2%
1111 8783	1.62K	1/4W	2%
1111 8809	1.96K	1/4W	2%
1111 8817	2.15K	1/4W	2%
1111 8833	2.61K	1/4W	2%
1111 8858	3.16K	1/4W	2%
1111 8866	3.48K	1/4W	2%
1268 8552	4.75K	1/2W	1%
1111 8908	5.11K	1/4W	2%
1111 8916	5.62K	1/4W	2%

PART NUMBER	DESCRIPTION		
1127 9593	7.15K	1/2W	1%
2219 1639	8K	20W	5%
1111 8999	12.1K	1/4W	2%
1268 4916	15K	2W	5%
1266 6541	15K	10W	5%
1111 9047	19.6K	1/4W	2%
1268 3835	47K	1W	5%
1268 3918	100K	1W	5%
SWITCHES			
2212 4341	pushbutton		
2212 4358	pushbutton		
2212 4374	pushbutton, alternation action		
2208 8553	reed relay, 500 ohms, 12V		
2201 3692	rotary		
2212 4390	rotary		
2205 9463	rotary		
2208 8652	thermal		
2208 8678	thermal		
2208 8660	thermal		
2208 8686	thermal		
2208 8561	thermal, 2450-82		
2212 4333	toggle		
2212 4564	toggle, DPST paddle		
2212 4325	toggle-long		
TRANSFORMERS			
2219 8931	auxiliary		
2208 3257	inductor		
2208 3422	input filter (PMI)		
2219 8873	RFI		
2208 3497	transformer		
1440 8504	transformer		
2208 8546	transformer		
2208 3273	transformer		
2208 3513	transformer		
2219 7933	20 Hz, 700W		
TRANSISTORS			
1143 4396	2N2095		
2208 4362	2N2222A		
1109 5924	2N2369		
2047 0159	2N2907A		
2208 6813	2N3019		
1120 0482	2N3504		
1440 8249	DTS520		
1944 2326	NPN Darlington		
1116 6535	NPN Type AR		
2208 3406	PMI 500111		
1116 5776	type AP		
1120 0482	type AT		
1123 7351	type BC		
2204 9431	type CK		
MISCELLANEOUS			
2219 1084	regulator-5.0V		
2204 7054	shunt meter		
2206 7490	thermostat		

SECTION 2
B 1865/35 Systems

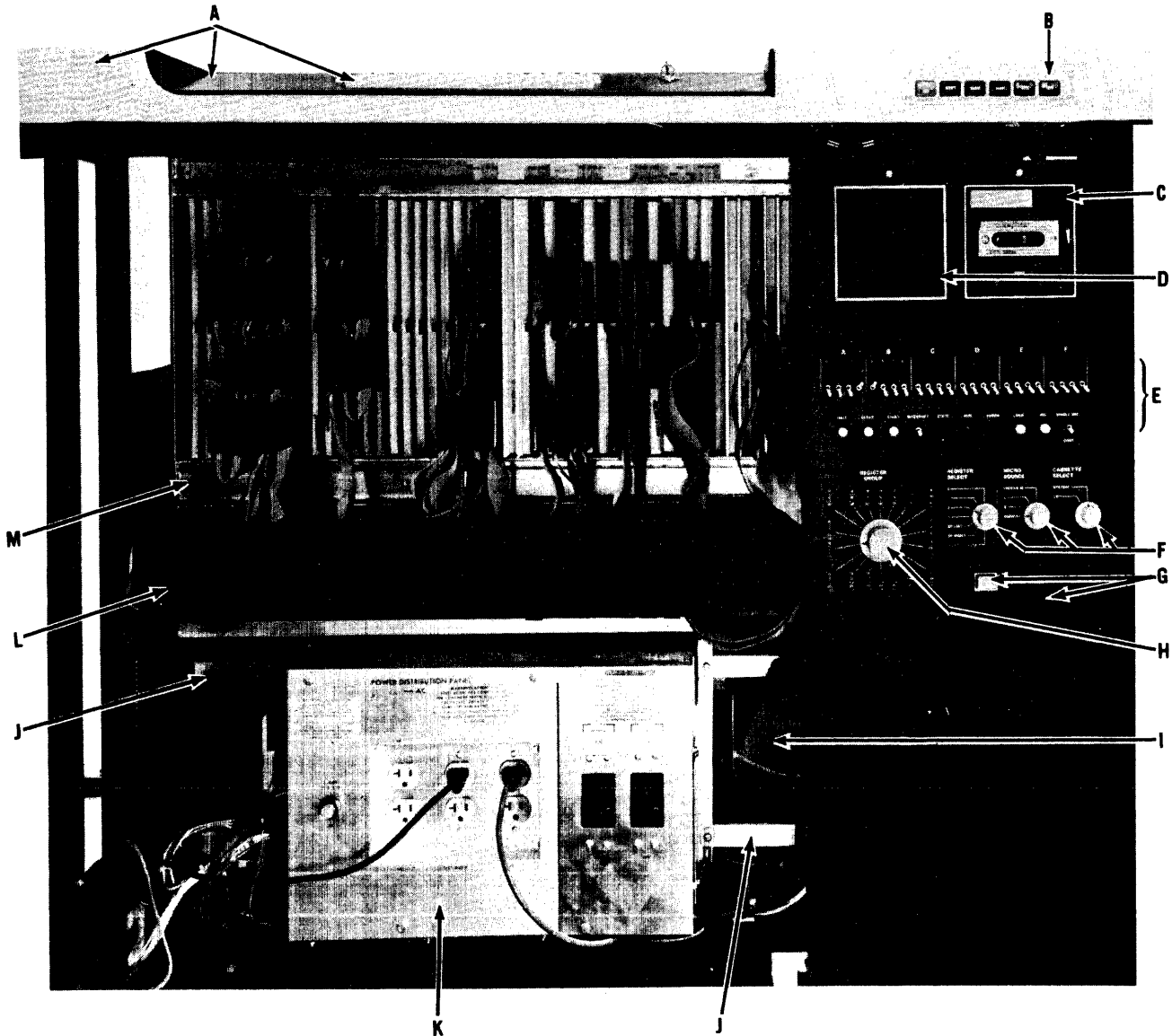
PANELS (B1865/35) (PLATE 2-1)



PART NUMBERS (PLATE 2-1)

- | | |
|--|---|
| <p>A 2221 8101 rear skin assembly, includes:</p> <ul style="list-style-type: none"> 2225 0393 rear skin (gray 258) 1104 7487 shoulder screw 1256 7731 lockwasher 1256 8036 washer 1256 5263 nut 2219 1944 foam tape (14.5 ft., 4.4196 m) 2222 7151 skin bracket 1111 1861 screw 1256 7467 lockwasher 1256 8051 washer <p style="margin-left: 150px;">} panel top</p> <p style="margin-left: 150px;">} panel bottom</p> <p>B --- --- refer to CONSOLE TOP ASSEMBLY</p> <p>C 2222 2335 side skin assembly, includes:</p> <ul style="list-style-type: none"> 2222 2194 side panel skin (gray 258) 1104 7487 shoulder screw 1256 7731 lockwasher 1256 8036 washer 2219 1944 foam tape (11.5 ft., 3.5052 m) 1194 0111 nut (U type) <p>D 2221 8028 glass door assembly, includes:</p> <ul style="list-style-type: none"> 2205 9885 strike 2221 8341 glass door frame 2225 0690 safety glass 2155 6618 adhesive tape (9 ft., 2.7432 m) 2014 7070 flexible plastic strip (3 ft., 0.9144 m) 2222 1824 handle 2222 6971 screw 1109 9652 nut 2225 0435 decal "B1800" | <p>E 2221 8010 door assembly, includes:</p> <ul style="list-style-type: none"> 2221 7905 front panel (gray 258) 2222 3333 backing plate 2219 1944 foam tape (8 ft., 2.4384 m) 2221 8739 pawl latch 1257 4828 logo "BURROUGHS" 1256 1460 screw 1256 8051 washer 1256 7467 lockwasher 1194 0087 nut (U type) 1256 5925 spring nut <p>F 2222 3986 front skin (small)</p> <p>G 1863 6431 moulded top</p> |
|--|---|

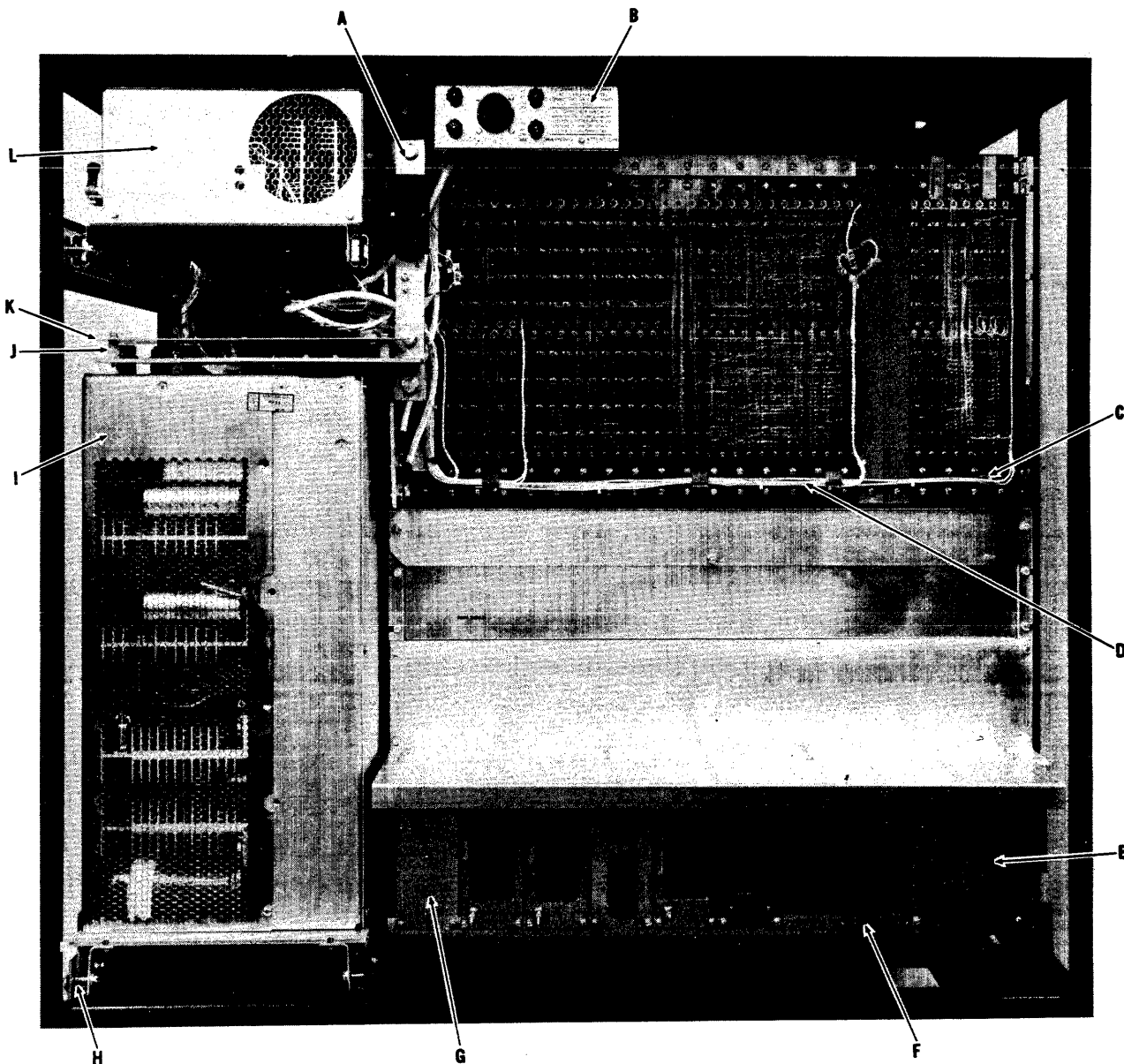
PROCESSOR – FRONT VIEW (PLATE 2-2)



PART NUMBERS (PLATE 2-2)

A	---	---	refer to CONSOLE TOP ASSEMBLY	K	---	---	refer to AC DISTRIBUTION
B	---	---	refer to CONTROL PANEL ASSEMBLY	L	2224	9122	cable tray cover, use:
C	---	---	refer to CASSETTE TAPE PARTS	M	2221	7269	2224 9114 cable tray
D	2472	6499	space filler bezel, use:				card housing assembly, includes:
E	---	---	2221 8739 latch				2221 7277 card housing weldment
F	2206	7433	refer to MAINTENANCE PANEL				2221 7640 card housing bus bar
G	---	---	BOARD ASSEMBLY				2205 0132 insulator block
H	2206	7425	knob				2207 6681 card guide
I	---	---	refer to INTERNAL CABLES				2222 2541 foam (28" x .5", 406.4mm x 12.7mm)
J	2222	1568	AC box mounting bracket				2207 2292 air sealer
							1255 5223 screw (8-32, 5/16)
							1256 1106 screw (8-32, 3/8)
							1256 8036 washer

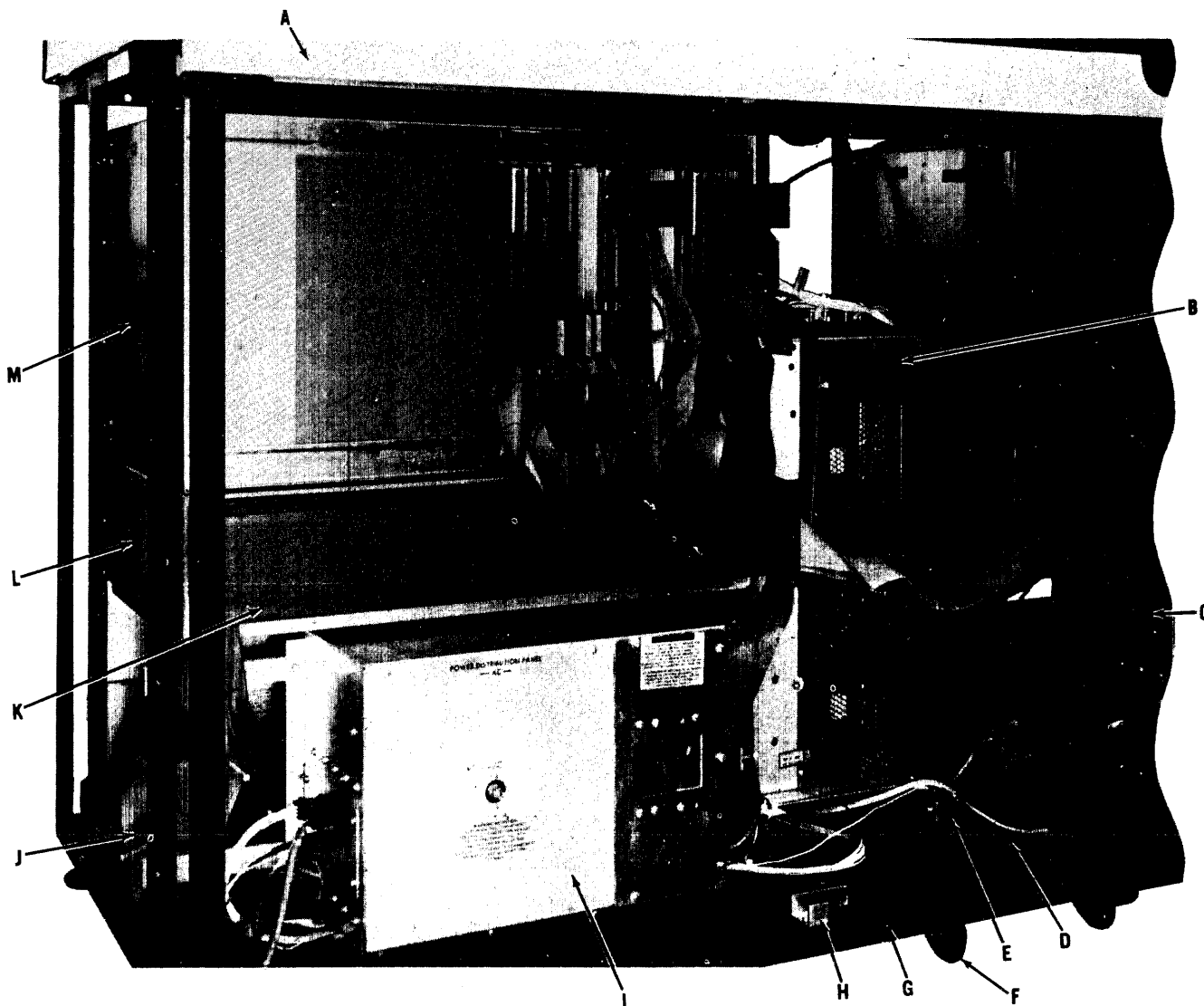
PROCESSOR – REAR VIEW (PLATE 2-3)



PART NUMBERS (PLATE 2-3)

A	----	refer to BUS BAR ASSEMBLY – LOGIC POWER	G	2222 6336	I/O filler plate, use: 1256 1106 screw 1256 8036 washer 1256 7459 lockwasher
B	----	refer to DC POWER OUTLET ASSEMBLY, use: 1255 5652 screw 1256 8051 washer 1256 7467 lockwasher 1256 5289 nut	H	2221 8002	logic power supply slide assembly, includes: 2221 7970 slide assembly bracket 2221 7988 RH slide bracket 2221 7996 LH slide bracket 2221 8473 drawer slide
C	1615 9931	cable clamp, use: 1634 8195 cable tie strap	I	----	refer to LOGIC POWER SUPPLY
D	2222 7391	I/O base cable, +/-12V	J	1119 7159	nylon standoff, use: 1256 1460 screw 1256 8051 washer 1256 7467 lockwasher
E	2222 6393	I/O end plate	K	2222 7490	bus bar insulator
F	2222 6377	I/O mounting panel (bottom)	L	----	refer to BOOSTER POWER SUPPLY ASSEMBLY
	2222 6385	I/O mounting panel (top, not visible)			
	2222 6344	I/O hinge bracket (not visible)			

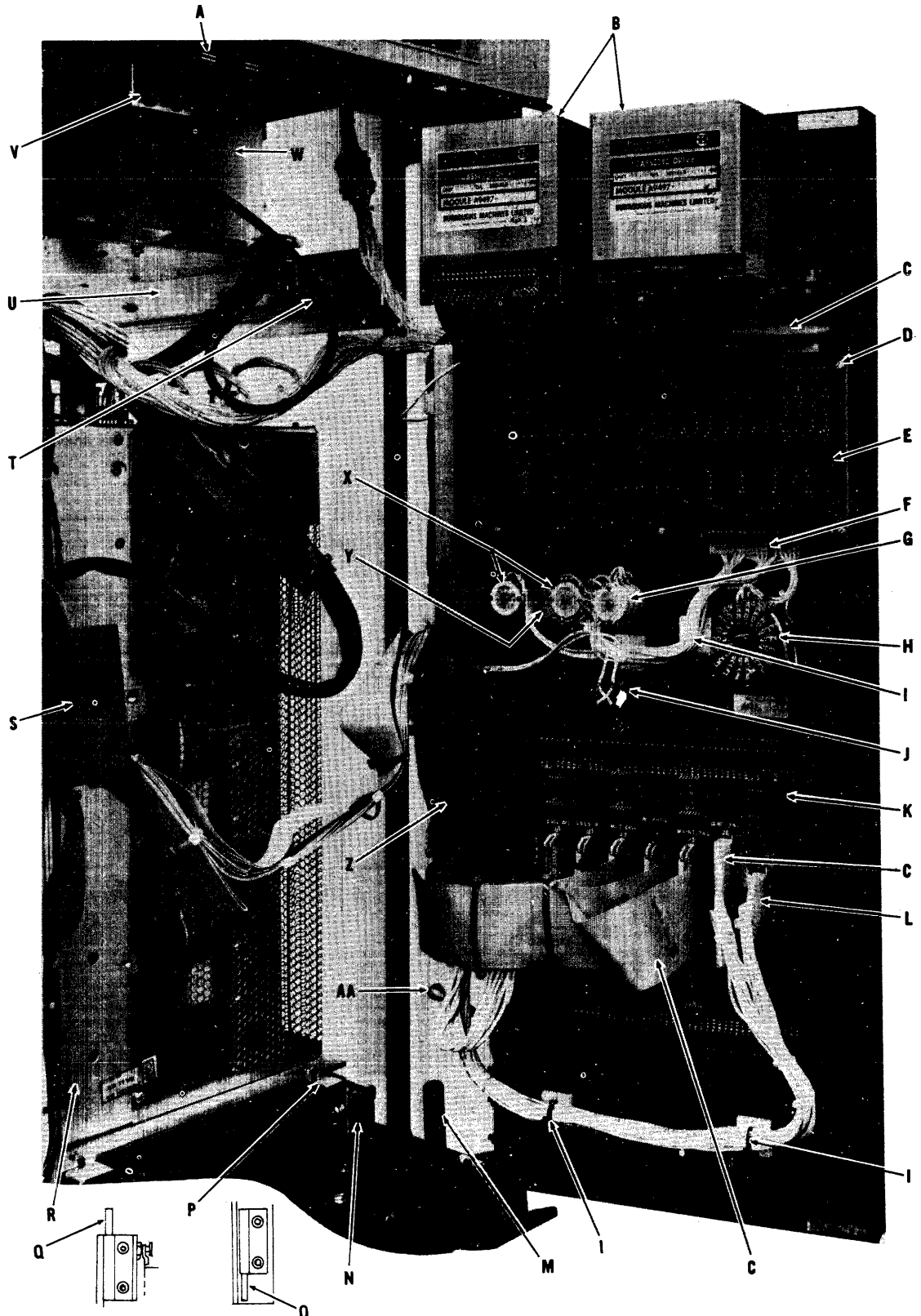
EXPANSION CABINET – FRONT (PLATE 2-4)



PART NUMBERS (PLATE 2-4)

A	1863 6431	moulded top	J	---- ----	refer to T&F reference documents:
B	---- ----	refer to LOGIC POWER SUPPLY	2224 9478	M4 Direct Connect	
C	---- ----	refer to AC POWER DISTRIBUTION	2219 8055	M3 (MBU-4 Port Interconnect)	
D	2216 1970	jack screw assembly		M4 (Port Interconnect)	
E	2221 8002	logic power supply slide assembly, includes:	2219 4757	M3 (MBU-3 Port Interconnect)	
		2221 7970 slide assembly bracket		M4 (Port Interconnect using Port Interchange-3)	
		2221 7988 RH slide bracket	K	2224 9122	cable tray cover
		2221 7996 LH slide bracket	L	2224 9114	cable tray, use:
		2221 8473 drawer slide			1256 1122 screw
F	2219 0755	caster			1256 8036 washer
G	2219 0680	round magnet catch			1256 7459 lockwasher
H	2222 2384	bottom magnet bracket	M	2221 7269	card housing assembly
I	---- ----	refer to AC POWER DISTRIBUTION			

MAINTENANCE PANEL ASSEMBLY (PLATE 2-5)

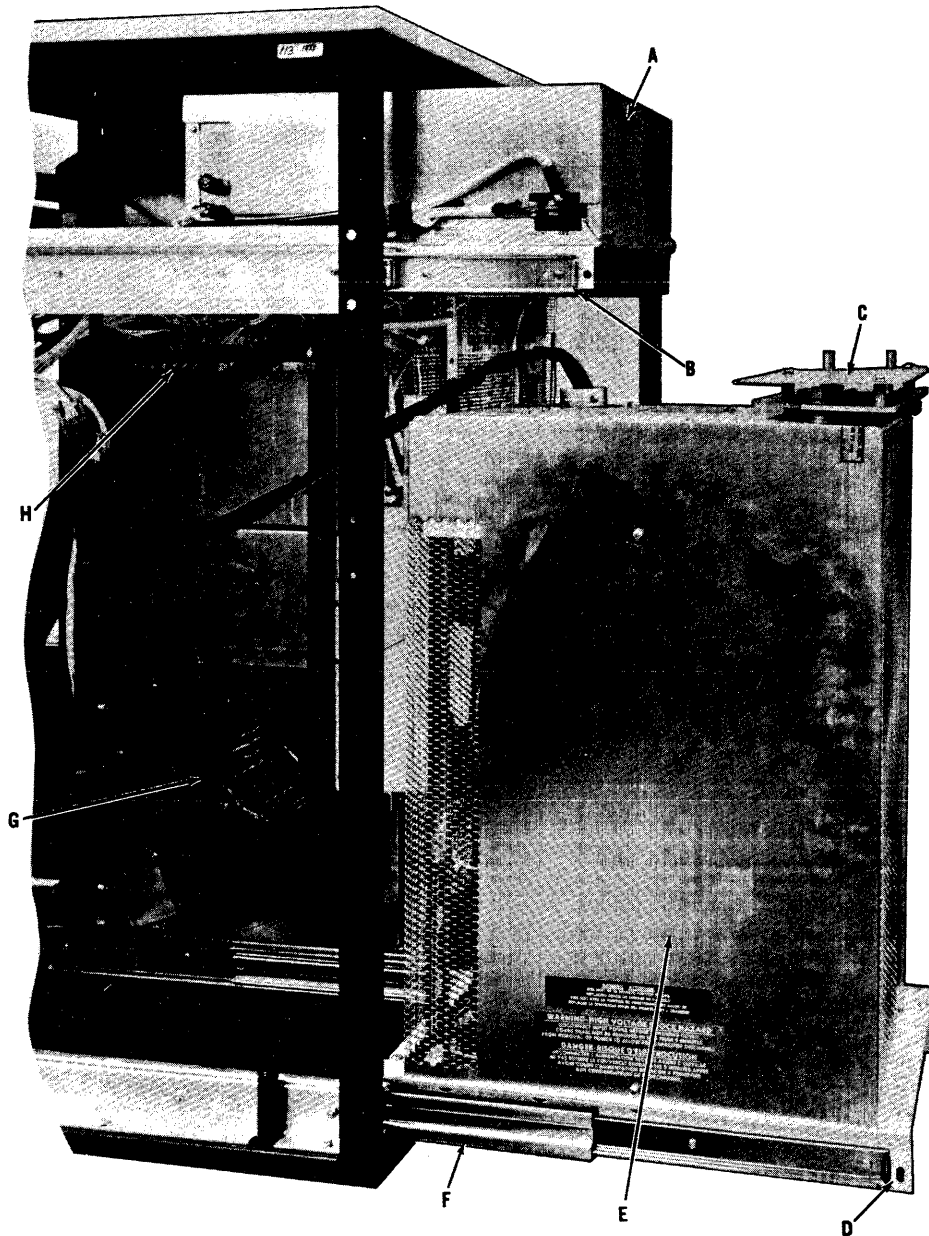


PART NUMBERS ON NEXT PAGE

PART NUMBERS (PLATE 2-5)

	2221 7921	complete maintenance panel assembly
A	2219 0680	round magnet latch
B	--- ---	refer to CASSETTE TAPE PARTS CATALOG (form 1062296)
C	--- ---	refer to T&F reference documents:
	2224 9478	M4 Direct Connect
	2219 8055	M3 (MBU-4 Port Interconnect)
		M4 (Port Interconnect)
	2219 4757	M3 (MBU-3 Port Interconnect)
		M4 (Port Interconnect using Port Interchange-3)
D	1256 0843	screw, use: 2201 1779 spacer 1256 8010 washer 1256 7442 lockwasher
E	--- ---	refer to MAINTENANCE PANEL BOARD ASSEMBLY
F	2212 4630	connector plug (20-pin), use: 2018 6029 contact
G	2212 4390	rotary switch
H	2201 3692	rotary switch
I	1112 0599	cable strap
J	2212 4481	lens module
K	--- ---	refer to SHARED CASSETTE BOARD ASSEMBLY
L	--- ---	part of DC harness
M	2216 1970	jack screw assembly
N	2221 8002	logic power supply slide assembly, includes Q and: 2221 7988 RH slide bracket 2221 7996 LH slide bracket 2221 8473 drawer slide
O	2222 1949	bottom hinge
P	2221 7970	slide assembly bracket
Q	2222 1931	top hinge, use: 1256 8051 washer 1256 7467 lockwasher 1256 5289 nut
R	--- ---	refer to LOGIC POWER SUPPLY
S	2224 9122	cable tray cover
T	2221 8085	booster supply slide assembly, includes: 2221 8135 booster mounting plate 2221 8234 slide bracket 2222 1618 booster mounting bracket 2221 8440 booster drawer slide
U	2221 8242	booster slide support
V	2222 2376	magnet top bracket
W	--- ---	refer to LOGIC POWER SUPPLY BOOSTER
X	2205 9463	rotary switch
Y	2222 3267	switch mounting plate
Z	2222 4406	cable route plate, use: 2212 3921 cable clamp 1146 8261 plastic grommet 1256 8051 washer 1256 7467 lockwasher 1256 5289 nut
AA	2208 5435	jumper, use: 1256 7467 lockwasher 1256 7749 lockwasher (internal tooth) 1256 5289 nut

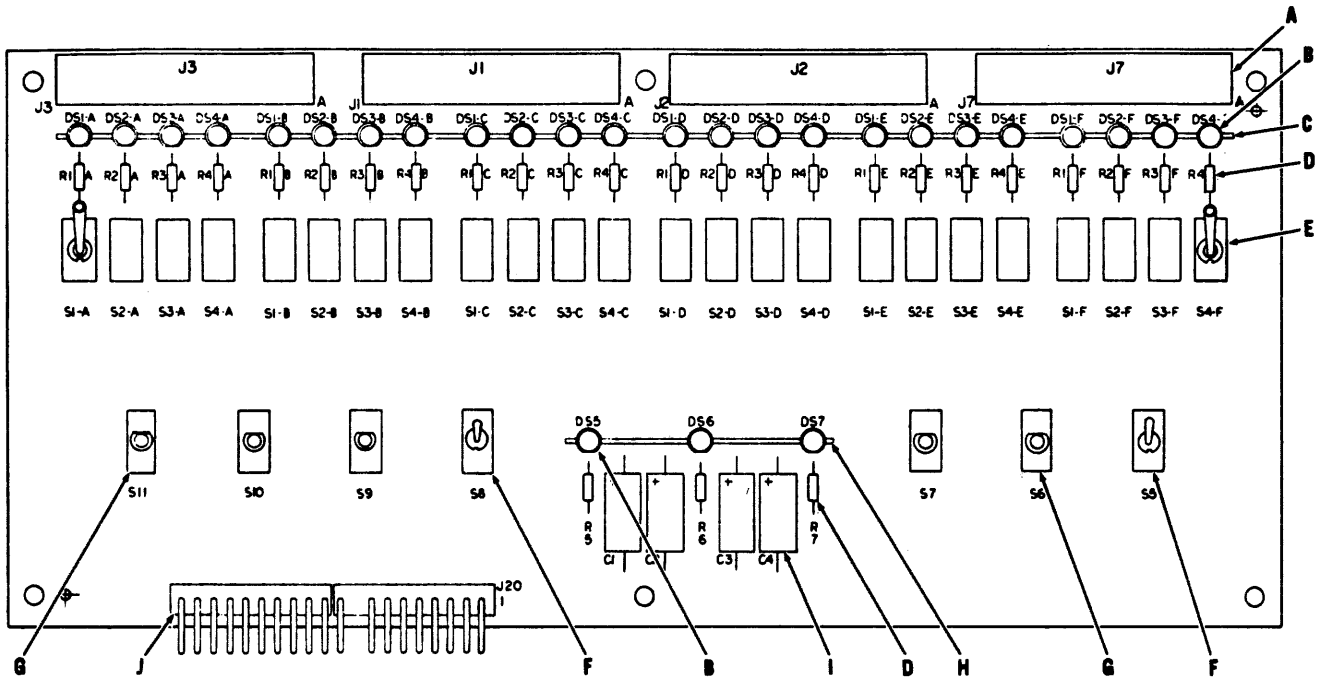
POWER AND BLOWER ASSEMBLIES (PLATE 2-6)



PART NUMBERS (PLATE 2-6)

A	— —	refer to BOOSTER POWER SUPPLY ASSEMBLY	G	2222 6963	blower assembly 50/60 Hz. use:
B	2221 8085	booster slide assembly, includes:			2208 6425 air filter
		2221 8135 booster mounting plate			2222 2491 filter cover
		2221 8234 slide bracket			1256 1486 screw, use:
		2222 1618 booster mounting bracket			1256 8051 washer
		2221 8440 booster drawer slide			1256 7467 lockwasher
C	— —	refer to BUS BAR ASSEMBLY – LOGIC POWER	H	2222 1873	12V bus mounting assembly, use:
D	2221 7970	slide assembly bracket			1256 1486 screw
E	— —	refer to LOGIC POWER SUPPLY ASSEMBLY			1256 7467 lockwasher
F	2221 8002	logic power supply-7 slide assembly, includes D and:			1256 8051 washer
		2221 7988 RH slide bracket			2210 7551 +12V bus bar
		2221 7996 LH slide bracket			2210 7544 -12V bus bar
		2221 8473 drawer slide			use: 2205 8085 insulator

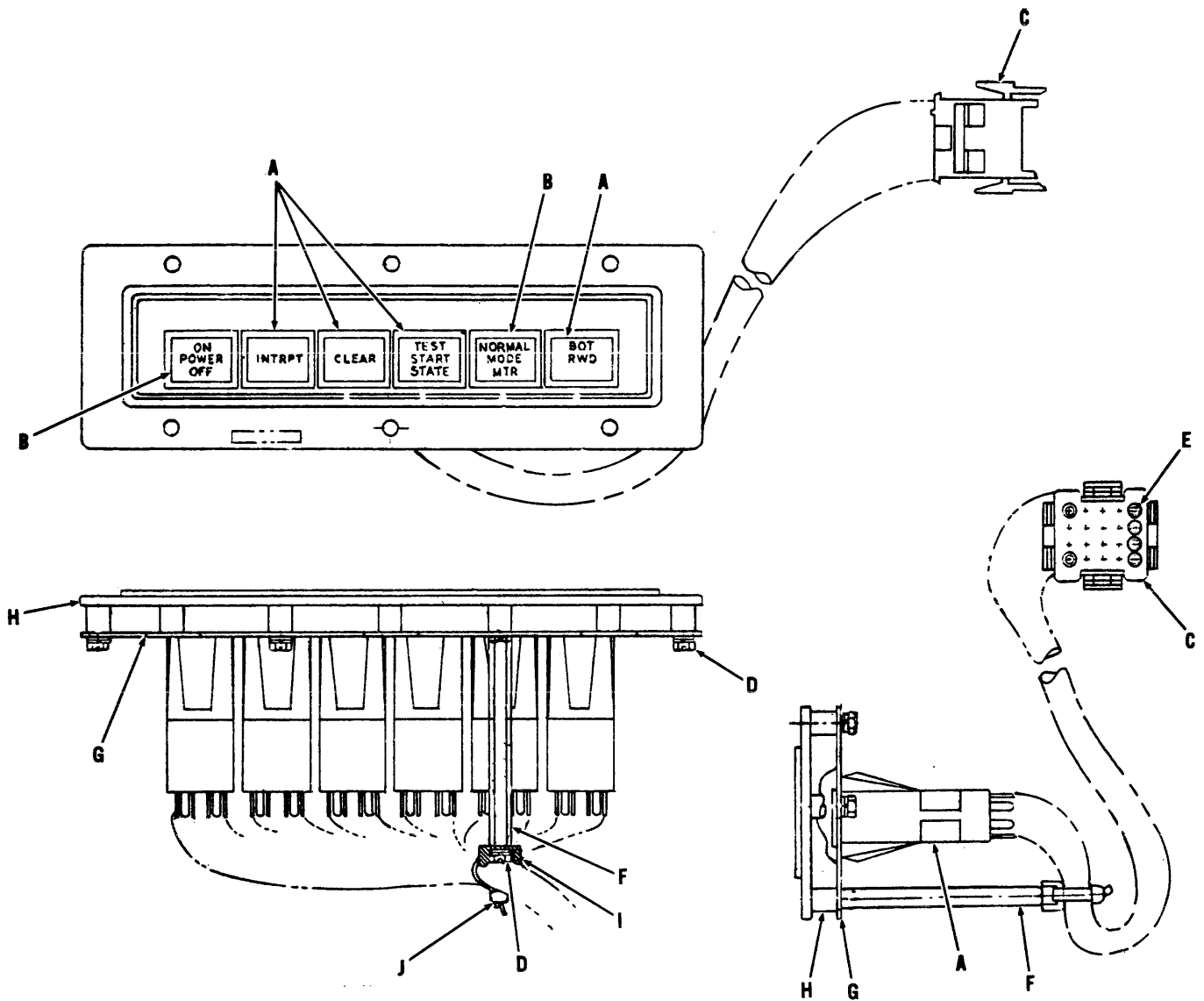
MAINTENANCE PANEL BOARD ASSEMBLY (PLATE 2-7)



PART NUMBERS (PLATE 2-7)

A	2212 7997	connector header (50 pin)
B	2212 4382	LED (red)
C	2222 1980	standoff (long)
D	1111 8478	resistor (82.5 ohm, 1/4W, 2%)
E	2212 4325	toggle switch
F	2212 4333	toggle switch
G	2212 4341	pushbutton switch (momentary)
H	2222 1972	standoff (short)
I	1267 9395	capacitor (220uF, 10VDC, 20%)
J	2212 4606	PC right angle connector

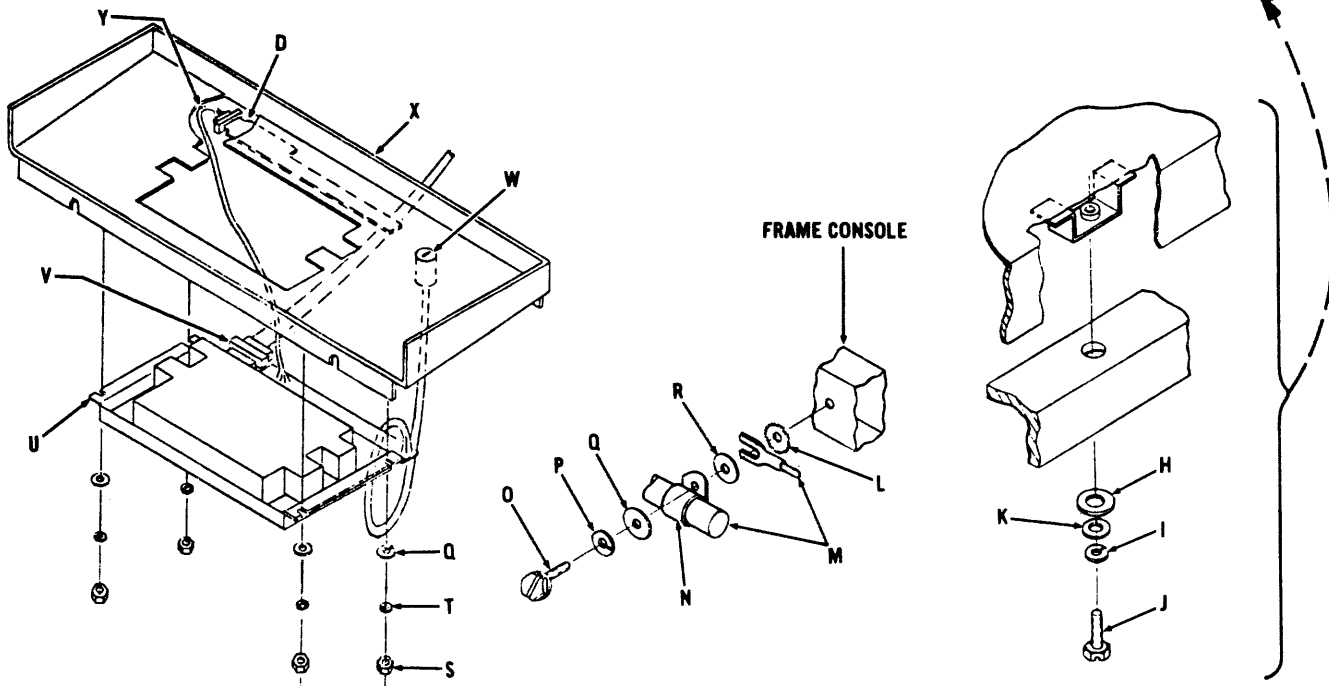
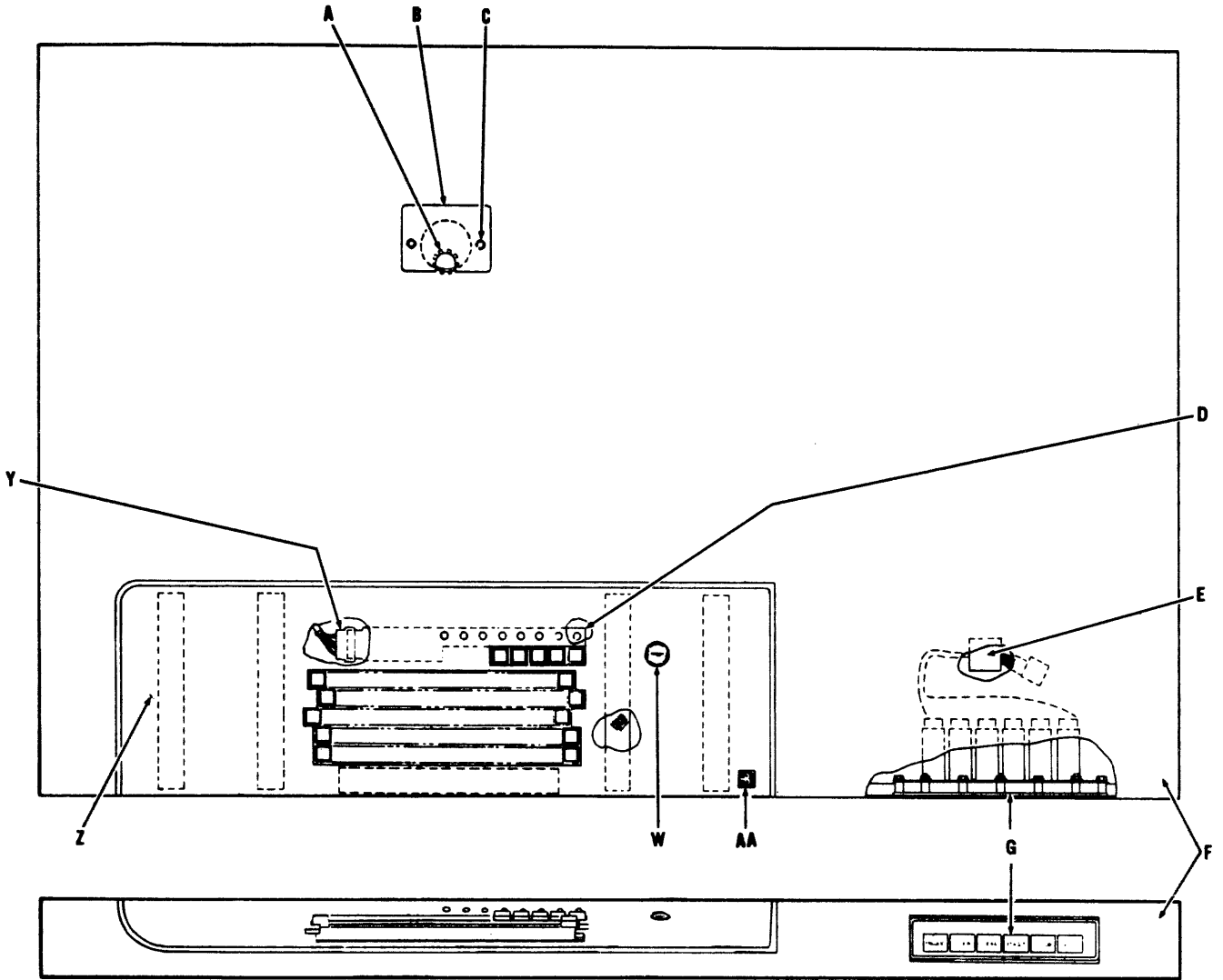
CONTROL PANEL ASSEMBLY (PLATE 2-8)



PART NUMBERS (PLATE 2-8)

	complete control panel assembly		C	2206 9421	connector plug (20 pin)
	2222 2228		D	2300 4484	screw, use:
	2225 3322				1256 8010 washer
A	2212 4358	momentary pushbutton switch, use:			1256 7442 lockwasher
		2212 4432 lens "INTRPT"	E	2206 9546	pin contact
		2212 4440 lens "CLEAR" (no lamp)	F	1103 6118	standoff
		2212 4457 lens "START"	G	2222 1956	control panel
		2212 4473 lens "RWD"	H	2225 0369	control panel support
		1534 7040 lamp (12V)	I	2012 6686	cable clamp
B	2212 4374	pushbutton alternating action switch, use:	J	1112 0565	B 1800
		2212 4465 lens "MODE"		1112 0599	B 1900
		1534 7040 lamp (12V)			} cable strap
		2161 3146 lens "POWER"			
		2157 0759 lamp (#387, 28V)			

CONSOLE TOP ASSEMBLY (PLATE 2-9)

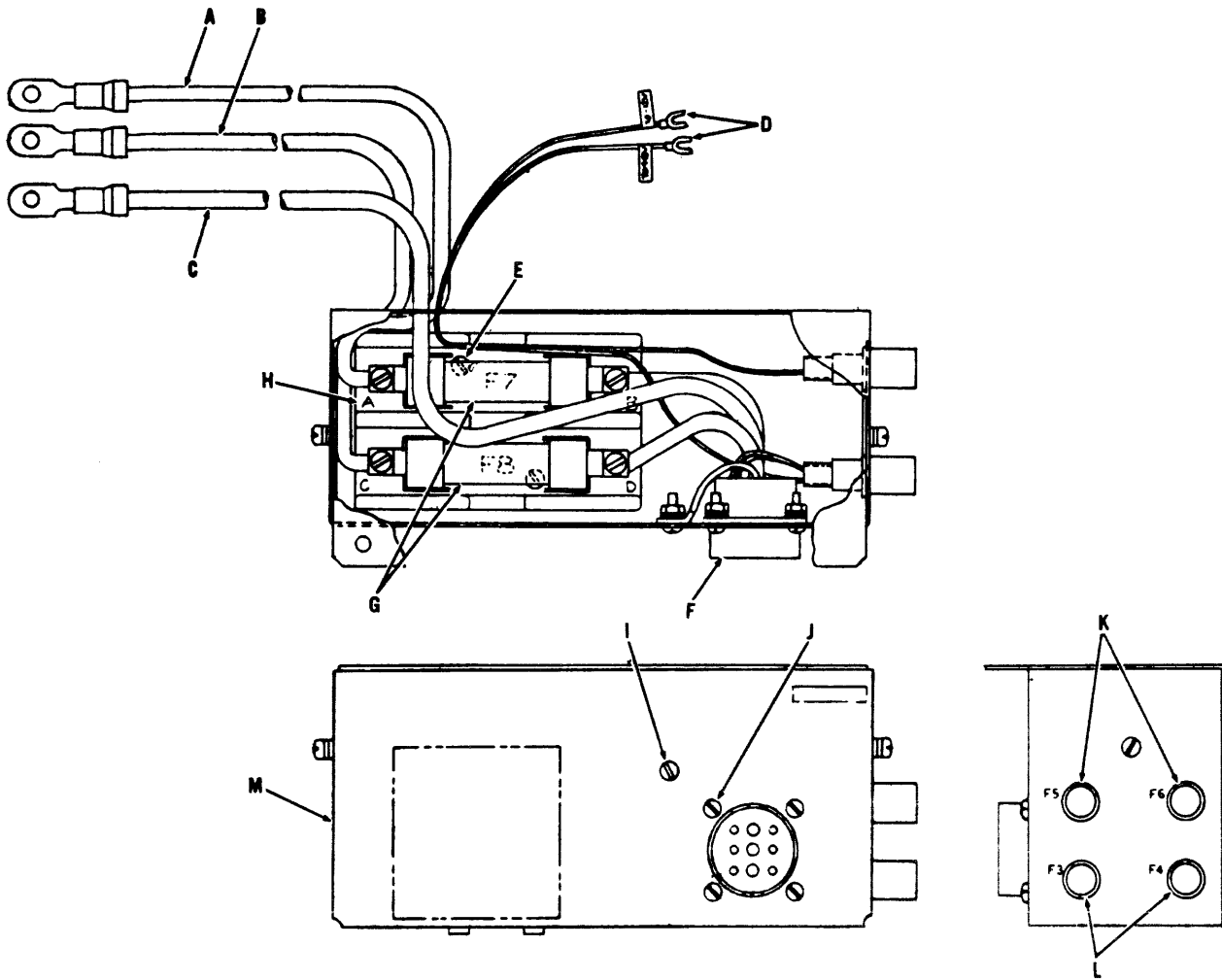


PART NUMBERS (PLATE 2-9)

		complete console top assembly
	2221 8226	B 1800
	2225 3348	B 1900
	2221 8226	complete console top assembly
A	1110 0831	nylon grommet
B	2224 9163	cover plate
C	1256 0330	screw, use:
		1256 7996 washer
		1256 7426 lockwasher
D	2551 9141	indicator board assembly
E	1920 2209	strap mounting block assembly (B 1800)
F	2221 8317	console top
G	--- ---	refer to CONTROL PANEL ASSEMBLY
H	1256 8093	washer
I	1256 7467	lockwasher
J	2300 4625	screw
K	1256 8051	washer (#10)
L	1344 5622	washer
M	1696 3571	cable assembly
N	1117 8647	cable clamp
O	2300 4484	screw
P	1297 9860	lockwasher (#6)
Q	1256 8010	washer (#6)
R	2552 0370	washer (#6)
S	1256 5248	nut
T	1256 7442	lockwasher
U	2553 6400	keyboard chassis assembly
V	1696 3571	keyboard cable assembly
W	1699 9542	security lock
X	1696 4603	keyboard harness
Y	2222 4828	keyboard panel
Z	1257 4760	medallion "B"

NOTE: Refer to form 1093622 for Keyboard parts not shown.

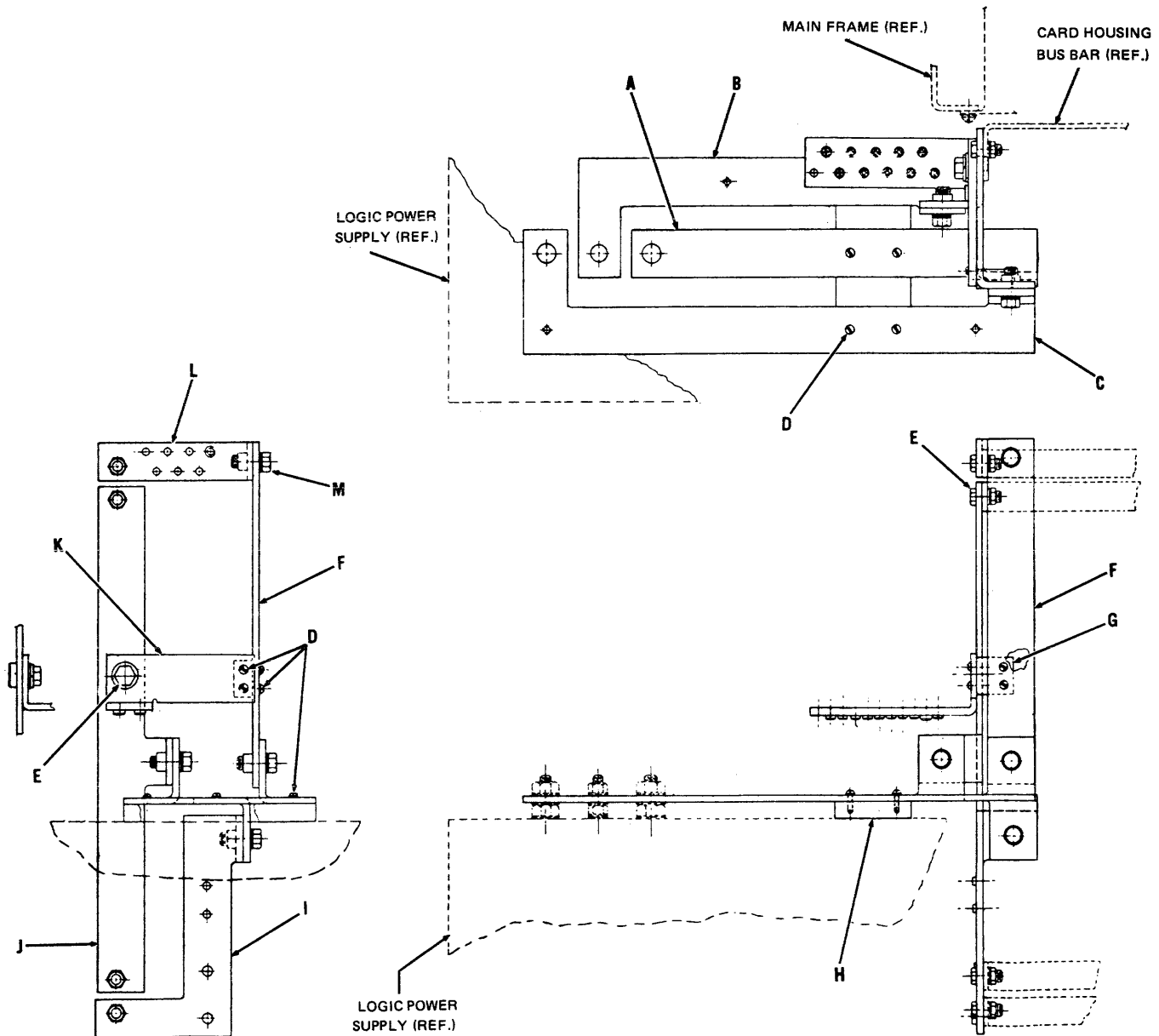
DC POWER OUTLET ASSEMBLY (PLATE 2-10)



PART NUMBERS (PLATE 2-10)

	2225 2522	complete DC power outlet assembly
A	2222 7003	+4.75V cable
B	2222 7029	-2V cable
C	2225 2530	ground cable
D	2208 9288	T-lug, 22-18, #6
E	1256 1510	screw
F	2205 7095	receptacle connector
G	1634 8104	fuse (40A)
H	2222 0016	double fuse holder
I	1256 1122	screw, use: 1256 8036 washer 1196 7874 lockwasher 1256 5263 nut
J	1256 0884	screw, use: 1256 8010 washer 1256 7442 lockwasher 1256 5248 nut
K	1197 2064	fuse (25A, 250V)
L	1102 2852	fuse (5A, SB)
M	2225 2472	DC power outlet box

BUS BAR ASSEMBLY – LOGIC POWER (PLATE 2-11)

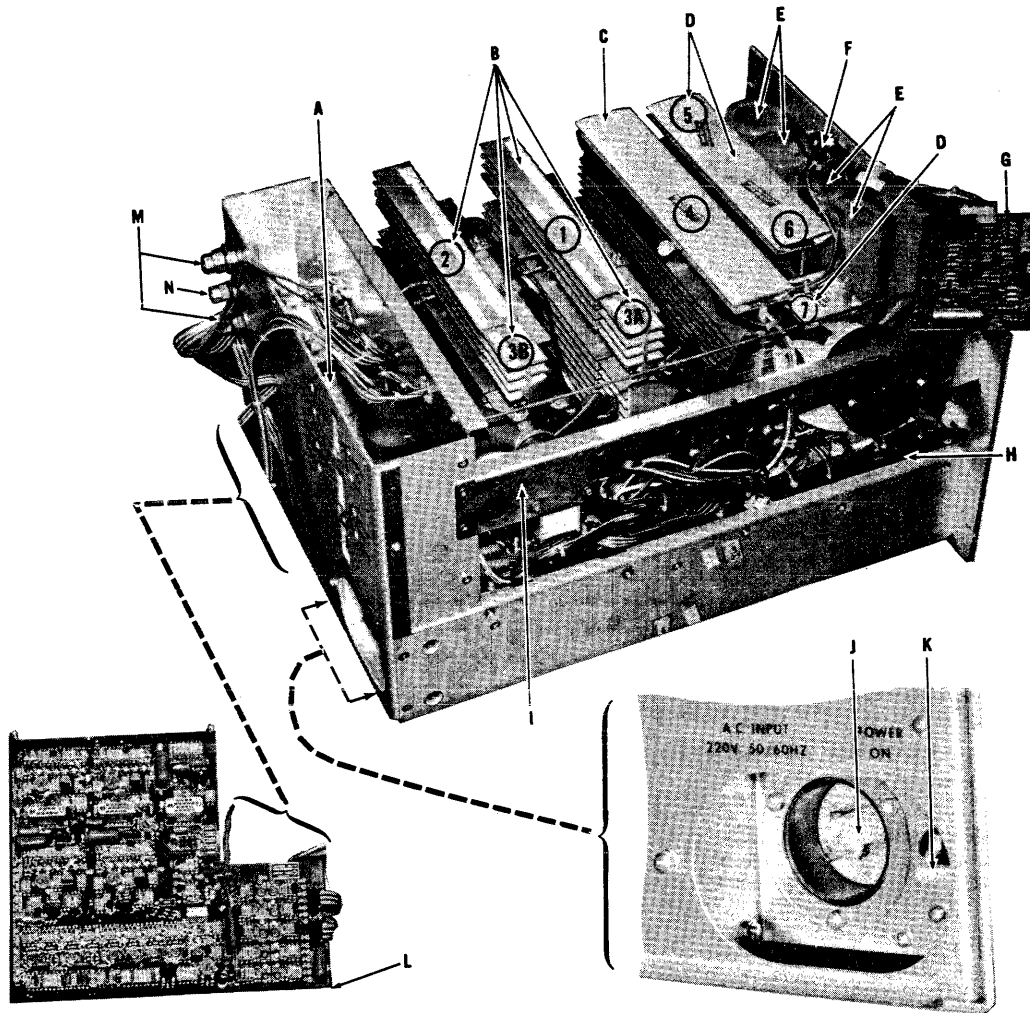


PART NUMBERS (PLATE 2-11)

	2221 8143	complete bus bar assembly	F	2222 3192	+4.75V vertical bus
A	2222 3226	-2V bus	G	2205 0132	insulator block
B	2222 3218	ground bus	H	2222 3283	spacer
C	2222 3200	+4.75V bus	I	2222 3184	-2V card housing bus
D	1256 1122	screw, use: 1256 8036 washer 1256 7731 lockwasher	J	2222 3176	ground jumper bus
E	1256 6444	screw, use: 1103 9104 washer 1256 7780 lockwasher 1256 5446 nut	K	2222 5858	ground link
			L	2222 3168	+4.75V card housing bus
			M	1256 6451	screw, use: 1103 9104 washer 1256 7780 lockwasher

SECTION 3
POWER

LOGIC POWER SUPPLIES-5,*-6,*-7 (PLATE 3-1)



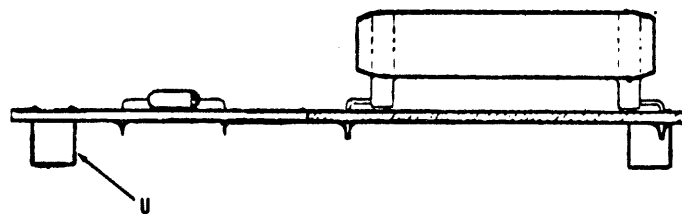
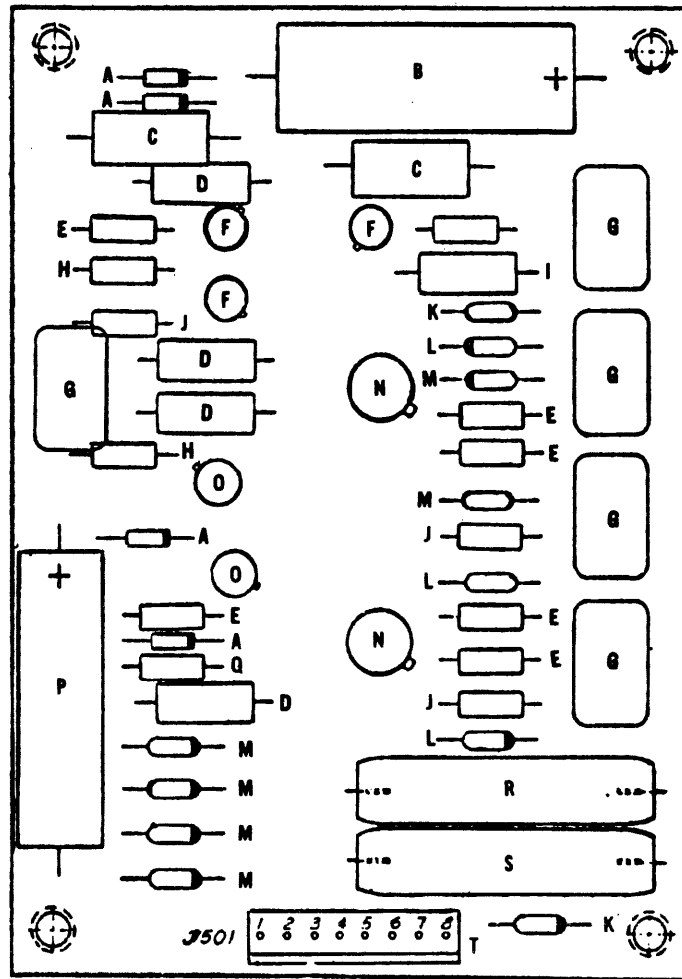
PART NUMBERS (PLATE 3-1)

1440 8165	complete logic power supply-7, use:	K 2208 7407	circuit breaker
	2210 6223 left hand slide	L --- ---	refer to REGULATOR BOARD ASSEMBLY
	2210 8625 bracket	M 2211 0886	-2V output bus assembly, includes:
	2210 6215 right hand slide		2211 3252 -2V output bus
A 2208 8074	capacitor (3000uF, 200VDC, -10% +75%)		2208 9502 nut (1/2-20)
B --- ---	refer to HEATSINK ASSEMBLIES No. 1, No. 2, No. 3A and No. 3B	2211 0878	+4.75 output bus assembly, includes:
C --- ---	refer to HEATSINK ASSEMBLY No. 4		2211 3278 +4.75 output bus
D --- ---	refer to HEATSINK ASSEMBLIES No. 5, No. 6 and No. 7		2208 9502 nut (1/2-20)
E 2208 8066	capacitor (1500uF, 400VDC, -10% +50%)	N 2211 0894	2208 9593 threaded rod (1/2-20)
F 2208 8686	safety switch (S101)		GND bus assembly, includes:
G --- ---	refer to INPUT CONTROL BOARD ASSEMBLY		2211 3260 GND output bus
H --- ---	refer to POWER CIRCUIT BOARD ASSEMBLY		2208 9494 nut (3/8-24)
I --- ---	refer to BLOWER BRACKET ASSEMBLY		2208 9601 threaded rod (3/8-24)
J 2208 8694	AC input connector, use:		
	2206 6245 connector (twistlock)		
	2212 7880 RFI filter		
		** 1440 8587	power transformer (not shown)

* Power supplies-5 and -6 no longer available as complete assemblies; order Power Supply-7. Component parts, however, are still available.

** 1440 8587 power transformer (not shown)

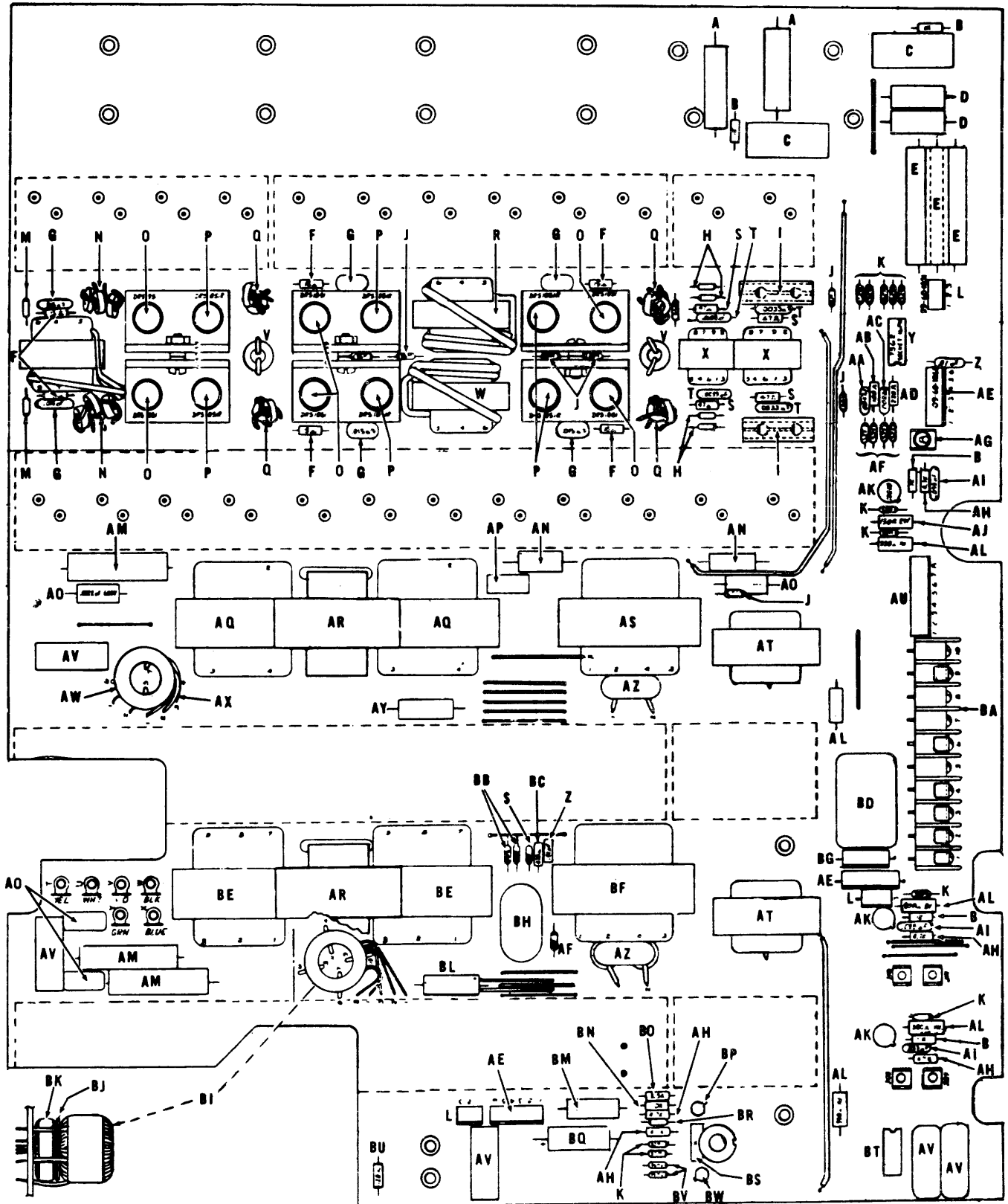
INPUT CONTROL BOARD ASSEMBLY (PLATE 3-2)



PART NUMBERS (PLATE 3-2)

2208 3455	complete input control board assembly (PWR-6, -7)	K	2208 6904	rectifier (S6M)
A	1627 0175	L	2208 6896	rectifier (S2M)
B	2208 8108	M	2208 6912	rectifier (S0M)
C	1268 4916	N	2208 6862	SCR (1D301)
D	1268 3918	O	2047 0159	transistor (2N2907A)
E	1268 2407	P	2208 8124	capacitor (100 uF, 50VDC)
F	2208 4362	Q	1268 2803	resistor (100K, ½W, 5%)
G	2208 8249	R	2208 8454	resistor (50 ohm, 12W, ± 5%)
H	1268 2605	S	2204 7492	resistor (25 ohm, 12W, 5%)
I	1268 3835	T	2208 8868	connector (8 pin)
J	1268 2480	U	2156 9199	standoff (threaded)

POWER CIRCUIT BOARD ASSEMBLY (PLATE 3-3)



PART NUMBERS ON NEXT PAGE

PART NUMBERS (PLATE 3-3)

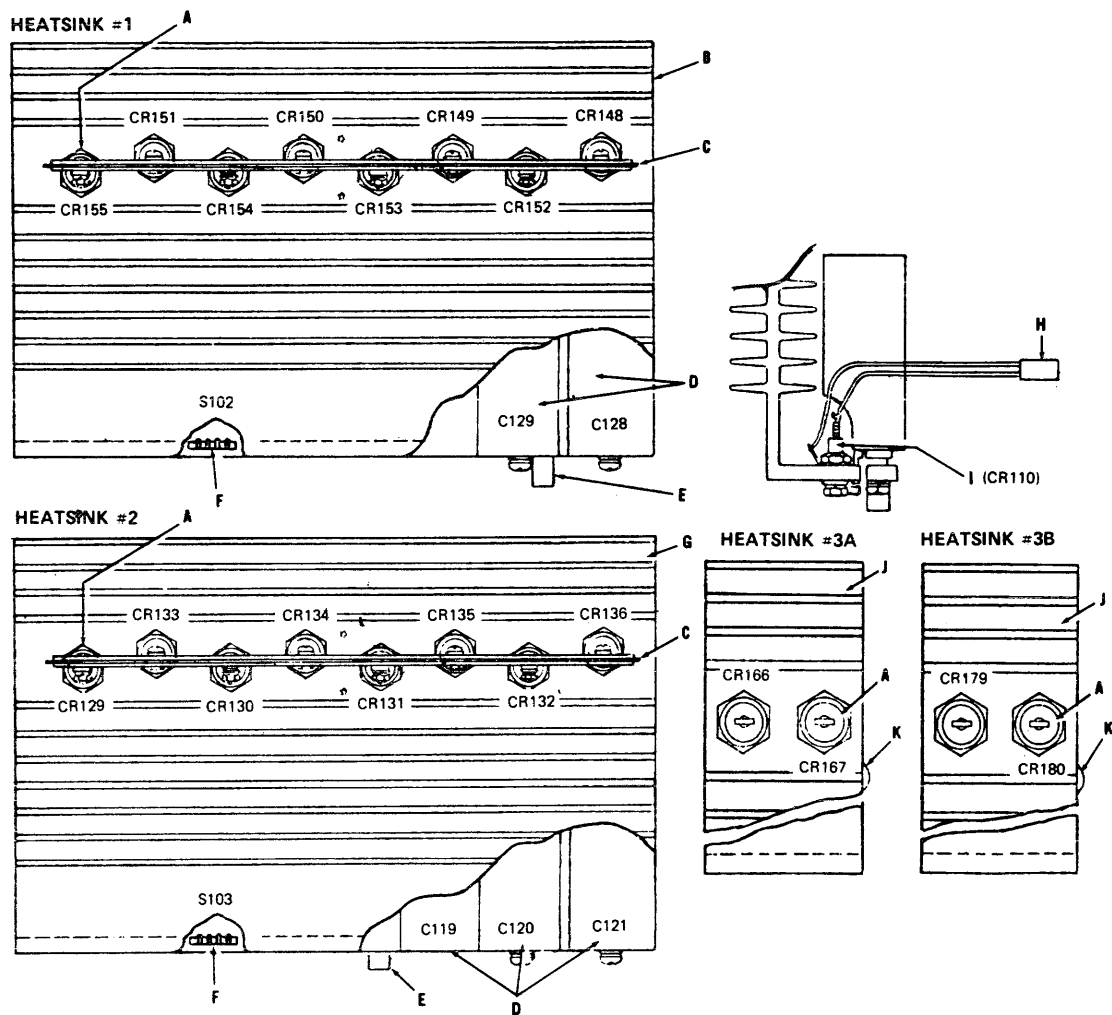
	1436 5134	complete power circuit board assembly (PWR-5, -6)	AL	1268 5418	resistor (390 ohm, 1W, 5%)
	1440 2051	complete power circuit board assembly (PWR-7)	AM	2208 8462	resistor (75 ohm, 12W, 5%)
A	2208 7241	resistor (30 ohm, 10W, 5%)	AN	1100 3159	resistor (200 ohm, 5W, 5%)
B	1268 2324	resistor (1K, ½W, 5%)	AO	2205 9760	capacitor (.0022 uF, 600V)
C	2208 8298	capacitor (4 uF, 100V, ± 10%)	AP	2205 9752	capacitor (.001 uF, 600V)
D	1102 4619	resistor (100 ohm, 5W, 1%)	AQ	2208 3224	transformer (T115, T116)
E	2208 7266	resistor (30 ohm, 10W, 5%)	AR	2208 3240	filter choke, 200A
F	1268 1888	resistor (15 ohm, ½W, 5%)	AS	2208 3307	transformer (T127)
G	2208 8215	capacitor (.015 uF, 200V, ± 10%)	AT	2208 3257	inductor (T126)
H	2208 6953	rectifier (SS2956)	AU	2208 8868	connector (8 pin)
I	2211 0993	heatsink assembly	AV	2208 8256	capacitor (.47 uF, 200V, ± 10%)
J	2208 6904	rectifier (S6M)	AW	2208 3356	transformer (T121)
K	2208 6896	rectifier (S2M)	AX	2208 3521	transformer (T120)
L	2208 8835	connector, 3 pin (J104, J112, J116)	AY	2208 7258	resistor (90 ohm, 5W, 5%)
M	2208 8058	rectifier (500123)	AZ	2208 3299	transformer (T125, T131)
N	2208 3273	transformer (T118, T119)	BA	1439 5032	terminal block
O	2208 6847	DRS1851	BB	2208 6938	rectifier (3SF2)
P	2208 6854	DRS1851R	BC	1268 2241	resistor (470 ohm, ½W, 5%)
Q	2208 3315	transformer (T105 thru T108)	BD	2205 9778	capacitor (.47 uF, 600V)
R	2208 3588	inverter driver transformer (T104)	BE	2208 3216	transformer (T101, T102)
S	1268 2001	resistor (47 ohm, ½W, 5%)	BF	2208 3539	transformer (T123)
T	2208 8173	capacitor (.003 uF, 200V, ± 10%)	BG	2208 8843	connector (5 pin)
U	2208 3232	inverter driver transformer (T117)	BH	2208 3208	transformer (T114)
V	2208 8538	transformer (T109, T110)	BI	2208 3513	transformer (T111)
W	2208 3570	inverter driver transformer (T103)	BJ	---- ----	separator
X	2208 3505	transformer (T128)	BK	2208 3331	transformer (T112, PWR-5, -6)
Y	2208 9056	socket (16 pin)		1440 8504	transformer (T112, PWR-7)
Z	2208 8181	capacitor (.01 uF, 200V, ± 10%)	BL	1102 4700	resistor (27 ohm, 5W, 5%)
AA	2208 8231	capacitor (.0047 uF, 200V, ± 10%)	BM	1102 4601	resistor (82.5 ohm, 5W, 1%)
AB	1268 2084	resistor (100 ohm, ½W, 5%)	BN	1268 2563	resistor (10K, ½W, 5%)
AC	2208 8165	capacitor (.0022 uF, 200V, ± 10%)	BO	1268 2449	resistor (3.3K, ½W, 5%)
AD	1268 2167	resistor (220 ohm, ½W, 5%)	BP	2208 4362	transistor (2N222A)
AE	2208 8850	connector (6 pin, J103, J107, J115)	BQ	2208 8116	capacitor (50 uF, 50V, ± 10%)
AF	2208 6888	rectifier (S2F)	BR	1319 0095	diode (1N752A)
AG	2208 8678	switch (S105)	BS	2208 7118	potentiometer (1K)
AH	1268 2480	resistor (4.7K, ½W, 5%)	BT	2208 9031	socket (14 pin)
AI	2208 8223	capacitor (.033 uF, 200V, ± 10%)	BU	1268 2100	resistor (120 ohm, ½W, 5%)
AJ	1265 8928	resistor (150 ohm, 2W, 5%)	BV	2208 6946	rectifier (3SM2)
AK	2208 6870	diode, SCR (ID200)	BW	2047 0159	transistor (2N2907A)

PART NUMBERS (PLATE 3-4)

*1439 7830	complete regulator board assembly (PWR-6, -7)	AX 1114 9390	resistor (604 ohm, ½W, 1%)
A 2208 8660	switch (SPDT)	AY 1127 9528	resistor (5.23K, ½W, 1%)
B 2208 8652	switch (SPDT)	AZ 1268 2647	resistor (22K, ½W, 5%)
C 1268 2720	resistor (47K, ½W, 5%)	BA 1268 2282	resistor (680 ohm, ½W, 5%)
D 1627 0175	diode (type 71)	BB 1268 2407	resistor (2.2K, ½W, 5%)
E 1268 2746	resistor (56K, ½W, 5%)	BC 1268 2639	resistor (20K, ½W, 5%)
F 2208 6839	IC (FCHLD LM 301AH)	BD 2208 8199	capacitor (.1 uF, 200VDC, ± 10%)
G 1268 2001	resistor (47 ohm, ½W, 5%)	BE 1110 2373	diode (type 1N746A)
H 1268 2084	resistor (100 ohm, ½W, 5%)	BF 1127 9593	resistor (7.15K, ½W, 1%)
I 2208 8397	capacitor (10 uF, 35V)	BG 2205 5362	connector receptacle
J 1268 2100	resistor (120 ohm, ½W, 5%)	BH 1114 8681	resistor (261 ohm, ½W, 1%)
K 2208 8256	capacitor (.47 uF, 200VDC, ± 10%)	BI 1114 8863	resistor (1.47K, ½W, 1%)
L 1127 9502	resistor (4.42K, ½W, 1%)	BJ 1268 8495	resistor (2.70K, ½W, 5%)
M 2208 8140	capacitor (.001 uF, 200VDC, ± 10%)	BK 1268 8552	resistor (4.75K, ½W, 5%)
N 1109 5924	transistor (type AK)	BL 1268 8362	resistor (845K, ½W, 5%)
O 1900 1163	resistor (453 ohm, ½W, 1%)	BM 1127 9577	resistor (6.49K, ½W, 1%)
P 1268 9774	resistor (1M, ½W, 5%)	BN 1907 9375	resistor (1.43K, ½W, 1%)
Q ---- ----	see O	BO 1117 9322	resistor (200 ohm, ½W, 1%)
R 2208 8421	potentiometer (5K, ½W)	BP 2208 7100	potentiometer (250 ohm, ¼W)
S 1268 2449	resistor (3.3K, ½W, 5%)	BQ 1114 8939	resistor (2.87K, ½W, 1%)
T 1114 9002	resistor (5.62K, ½W, 1%)	BR 1268 2761	resistor (68K, ½W, 5%)
U 2047 0159	transistor (2N2907A)	BS 1900 1403	resistor (634 ohm, ½W, 1%)
V 1268 2563	resistor (10K, ½W, 5%)	BT 1115 1784	diode (type 1N823)
W 2205 5354	connector receptacle	BU 2208 8264	capacitor (.22 uF, 200V)
X 1907 9466	resistor (14.0K, ½W, 1%)	BV 1114 9366	resistor (3.010K, ½W, 1%)
Y 2208 8165	capacitor (.0022 uF, 200V, ±10%)	BW 2208 8553	read relay
Z 1268 2480	resistor (4.7K, ½W, 5%)	BX 1268 2316	resistor (910 ohm, ½W, 5%)
AA 1268 2829	resistor (120K, ½W, 5%)	BY 2208 8736	PC connector (12 pin)
AB 2200 6746	capacitor (270 pF, 500V)	BZ 2205 5370	receptacle connector
AC 1268 8404	resistor (1.18K, ½W, 5%)	CA 1268 2381	resistor (1.8K, ½W, 5%)
AD 1127 9569	resistor (6.34K, ½W, 1%)	CB 1268 2506	resistor (5.6K, ½W, 5%)
AE 1268 9618	resistor (681K, ½W, 5%)	CC 2208 8330	capacitor (30 pF, 500V)
AF 1268 2167	resistor (220 ohm, ½W, 5%)	CD 1268 2928	resistor (330K, ½W, 5%)
AG 1265 7367	resistor (4.7M, ½W, 5%)	CE 2208 7175	resistor (3.3 ohm, ½W, 5%)
AH 1114 8996	resistor (5.11K, ½W, 1%)	CF 1268 2324	resistor (1K, ½W, 5%)
AI 1268 2662	resistor (27K, ½W, 5%)	CG 1319 0095	diode (type 1N752A)
AJ 2208 8348	capacitor (470 pF, 500V)	CG 2208 7118	potentiometer (1K, ¼W)
AK 1268 2589	resistor (12K, ½W, 5%)	CI 2208 3497	transformer
AL 1268 2548	resistor (8.2K, ½W, 5%)	CJ 1105 9052	diode (type 1N751A)
AM 1268 8339	resistor (732 ohm, ½W, 5%)	CK 2208 8389	capacitor (.33 uF, 35V)
AN 1268 2654	resistor (24K, ½W, 5%)	CL 1268 2266	resistor (560 ohm, ½W, 5%)
AO 2208 7126	potentiometer (5K, ¼W)	CM 2208 8520	RFI ferrite filter
AP 1268 2555	resistor (9.1K, ½W, 5%)	CN 1268 2423	resistor (2.7K, ½W, 5%)
AQ 1114 9010	resistor (6.190K, ½W, 1%)	CO 1268 2340	resistor (1.2K, ½W, 5%)
AR 2208 4362	transistor (2N2222A)	CP 2208 7035	diode (type 1N4753A)
AS 1268 2498	resistor (5.1K, ½W, 5%)	CQ 2208 6813	transistor (2N3019)
AT 1114 8970	resistor (4.220K, ½W, 1%)	CR 2208 9049	socket (16 pin IC)
AU 1268 2456	resistor (3.6K, ½W, 5%)	CS 2208 9023	socket (14 pin IC)
AV 1268 2241	resistor (270 ohm, ½W, 5%)	CT 1143 0121	pin
AW 2208 7134	potentiometer (25K, ¼W)		

* Board may be used in Logic-5 Power Supply (downward compatibility only)

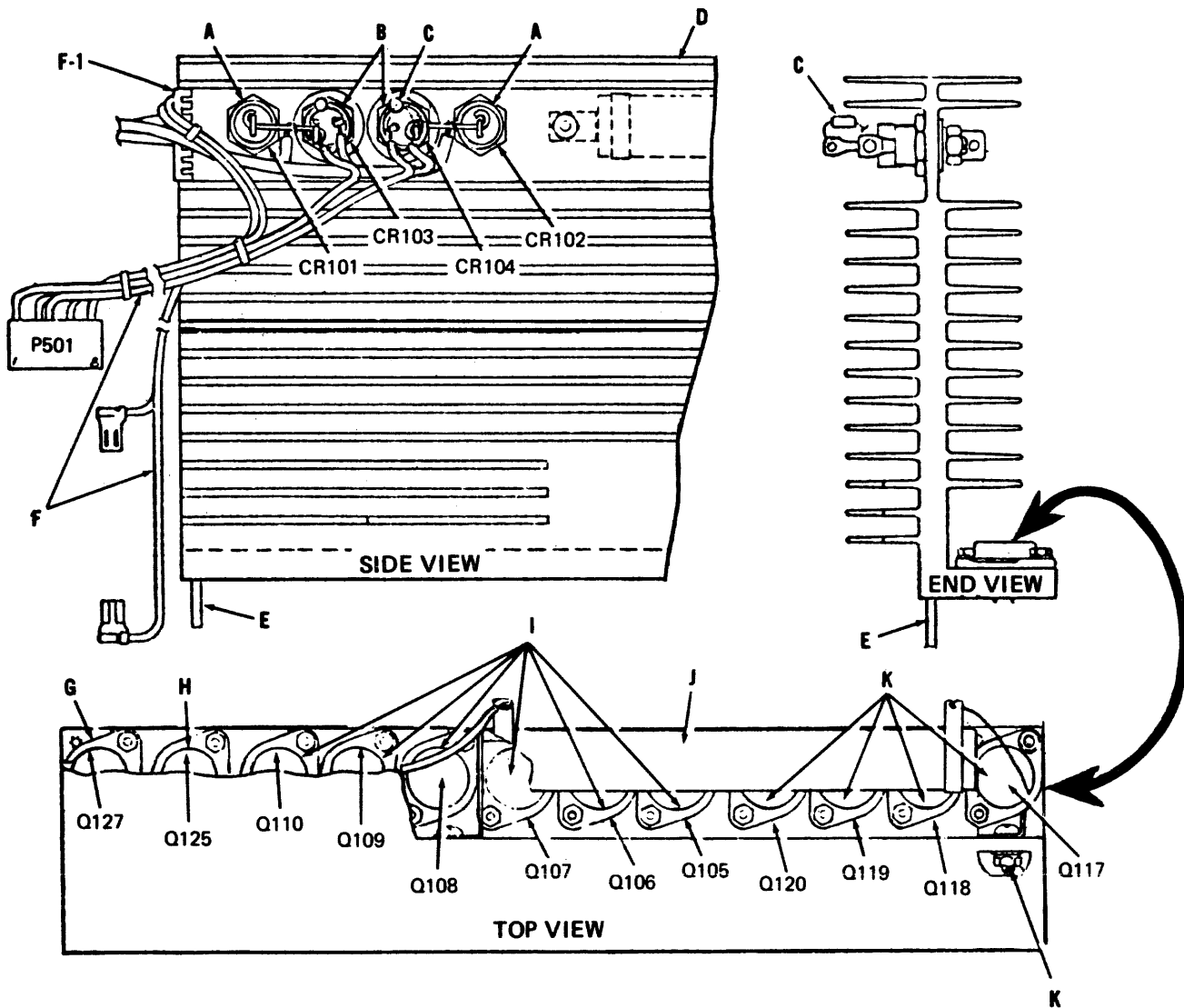
HEATSINK ASSEMBLIES NO. 1, NO. 2, NO. 3A AND NO. 3B (PLATE 3-5)



PART NUMBERS (PLATE 3-5)

2211 1140	complete heatsink assembly No. 1 (PWR-5, -6)	E	1103 4006	spacer, use:
1440 8371	complete heatsink assembly No. 1 (PWR-7)		1256 1122	screw
2211 1157	complete heatsink assembly No. 2 (PWR-5, -6)		1256 8036	washer
1440 8389	complete heatsink assembly No. 2 (PWR-7)		1256 7459	lockwasher
2211 1165	complete heatsink assembly No. 3 (PWR-5, -6, -7)	F	2208 8561	thermal switch (S102 and S103), use:
A	2208 3380	diode, 30A, PWR-6 } (CR129 thru 136, CR148 thru 155, CR166, CR167, CR179, CR 180), use:	1256 0330	screw
	1440 8280		1256 7996	washer
			1256 7426	lockwasher
	1256 8093	G	2211 0779	heatsink No. 2 (PWR-5, -6, -7)
	1256 7483	H	2208 8769	connector plug (P103A) 2 pin, use:
	1256 5412		2208 8892	pin
B	2211 0761	I	2208 7001	diode, 1N2979B (CR110)
C	2211 0845		2208 9197	spacer
	2211 1009		1432 6896	mica washer
	2211 0837		1109 9553	terminal lug
	1256 0868	J	2211 0787	heatsink No. 3A or No. 3B (PWR-5, -6, -7)
	1256 8010	K	2208 9189	clip
	1434 8809			
D	2208 3414			
	capacitor, 11,500 uF, 18V (C119, 120, 121, 128, 129), use:			
	1256 1510			
	1320 8350			
	1256 7467			
	2211 0852			
	2211 0860			

HEATSINK ASSEMBLY NO. 4 (PLATE 3-6)

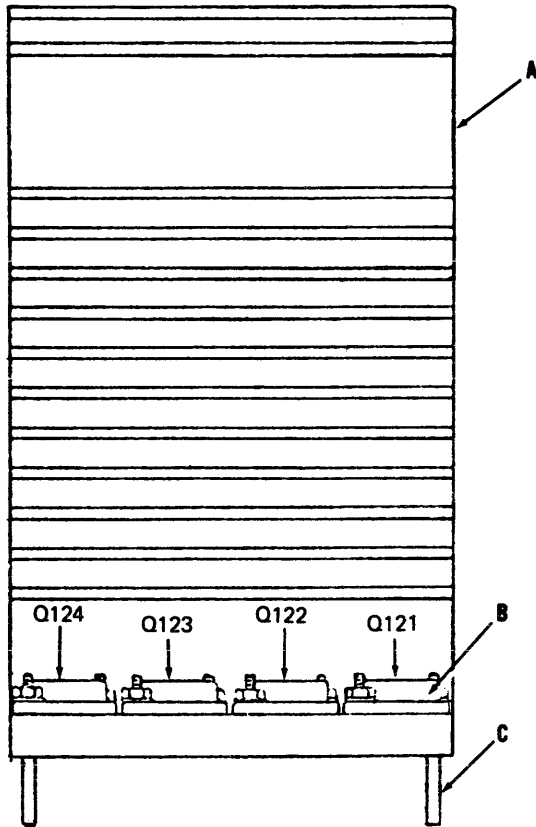


PART NUMBERS (PLATE 3-6)

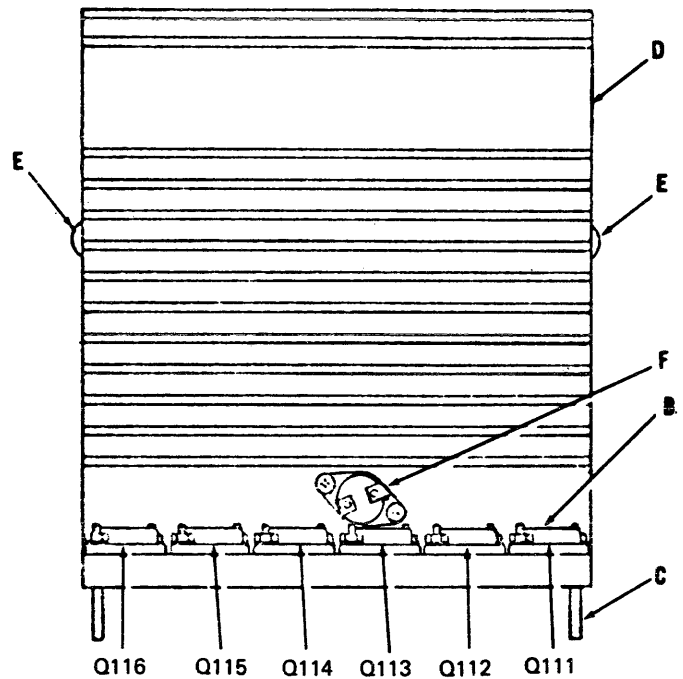
	1436 5043	complete heatsink assembly No. 4 (PWR-5, -6)	H	2208 3562	transistor (PWR-7, Q125)
	1440 3455	complete heatsink assembly No. 4 (PWR-7)		---	transistor (PWR-5, -6, Q105 thru Q110, Q117 thru Q120, Q125)
A	2208 7316	diode, S32100 (CR101, CR102)			
B	2208 8041	diode, 40060 (CR103, CR104), use: 2208 9171 nylon spacer 1127 6185 washer	I	1440 8249	transistor (PWR-7, Q105 thru Q110, Q117 thru Q120), use: 1436 5415 screw 1434 8809 nut
C	1268 2084	resistor, 100 ohm, 1/2W, 5% (R101, R102)			
D	1440 8405	heatsink No. 4 (PWR-5, -6, -7)	J	2208 8496	resistor, 1.5K ohm, 100W, 5% (R176)
E	1255 0661	pin	K	1256 1122	screw, use: 1256 8036 washer 1256 7459 lockwasher
F	2211 1249	harness assembly P501, use: 2208 8801 connector, 8 pin 1431 6285 fast-on terminal lug			
F-1	1433 7422	nylon grommet			
G	2208 3406	transistor, PMI500111 (Q127), use: 2204 8490 screw 1256 7723 lockwasher 1256 5248 nut			

HEATSINK ASSEMBLIES NO. 5, NO. 6 AND NO. 7 (PLATE 3-7)

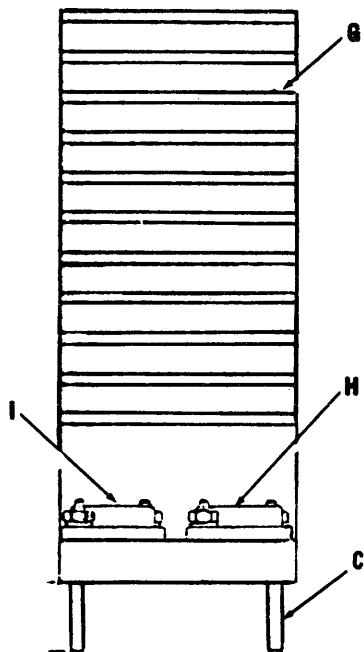
HEATSINK #5



HEATSINK #6



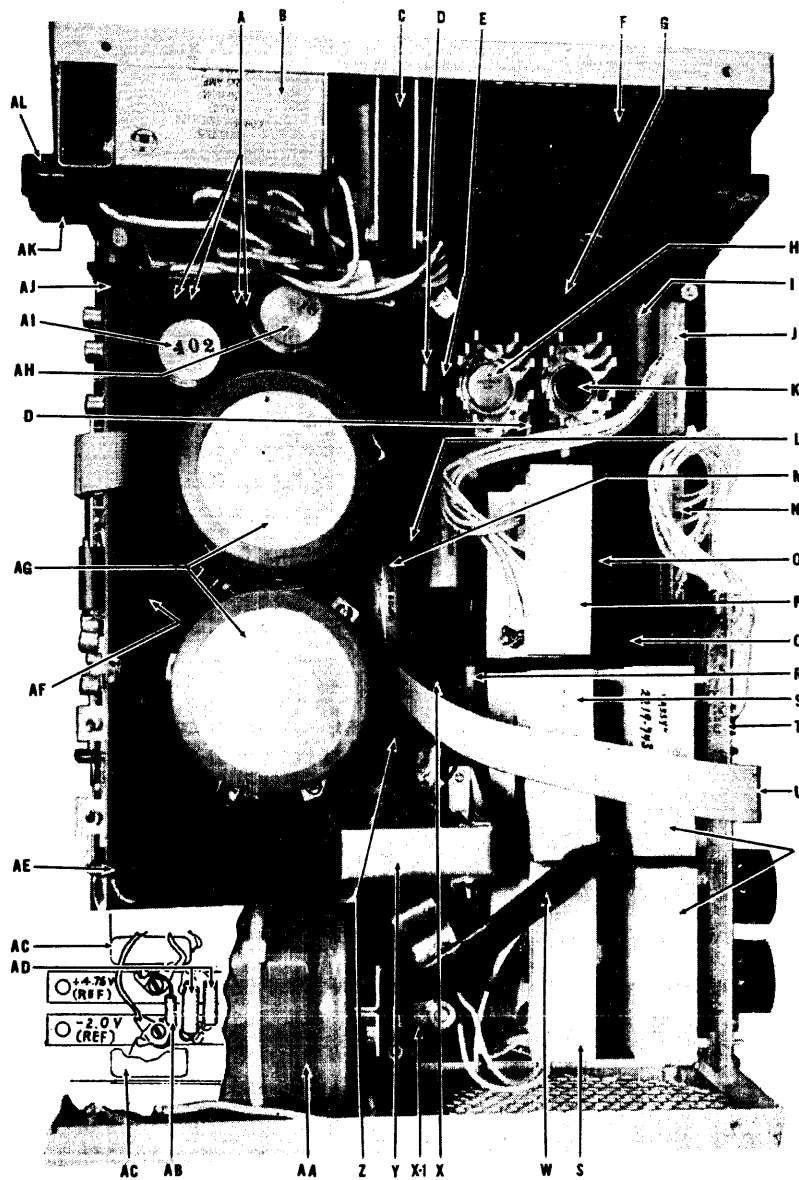
HEATSINK #7



PART NUMBERS (PLATE 3-7)

	1436 4988	complete heatsink assembly No. 5 (PWR-5, -6)	
	1440 3463	complete heatsink assembly No. 5 (PWR-7)	
	2211 1199	complete heatsink assembly No. 6 (PWR-5, -6)	
	1440 3471	complete heatsink assembly No. 6 (PWR-7)	
	1440 3489	complete heatsink assembly No. 7 (PWR-5, -6, -7)	
A	1436 4988	heatsink No. 5 (PWR-5, -6, -7)	
B	2208 3562	transistor (PWR-5, -6, Q121 thru Q124, Q111 thru A116)	} use:
	1440 8249	transistor (PWR-7 Q111 thru Q116 and Q121 thru Q124)	
		1436 5415 screw 1434 8809 nut	
C	1255 0661	pin	
D	2211 0811	heatsink No. 6 (PWR-5, -6)	
	1440 8439	heatsink No. 6 (PWR-7)	
E	2208 9189	clip	
F	2208 8561	thermal switch (S104), use: 1256 0355 screw 1256 7996 washer 1256 7426 lockwasher	
G	2211 0829	heatsink No. 7 (PWR-5, -6, -7)	
H	2208 3562	transistor (PWR-5, -6, -7, Q125, Q126), use hardware listed under B	
I	2208 3406	transistor (PWR-5, -6, -7, Q125, Q126), use hardware listed under B	

BOOSTER POWER SUPPLY (PLATE 3-8)

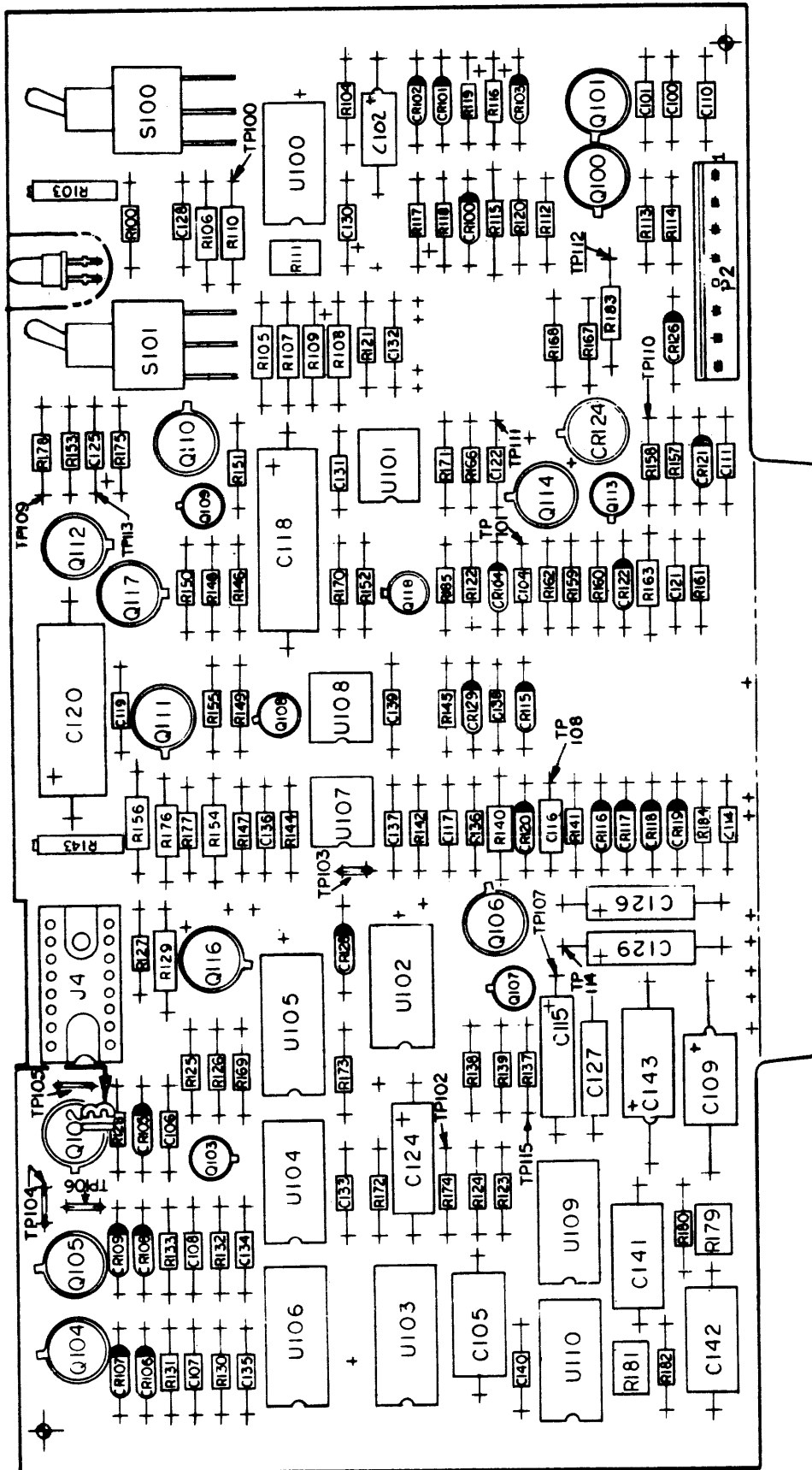


PART NUMBERS (PLATE 3-8)

	2219 7362	complete LPS booster assembly	U	2219 8790	ribbon jumper
A	1117 9561	rectifier (1N4002)	V	----	refer to INVERTER ASSEMBLY
B	2219 7487	RFI filter	W	2219 8691	rectifier assembly/C11 cable
C	2219 8931	input transformer	X	1101 5344	capacitor (10uF, 35VDC, ±5%)
D	2311 4481	capacitor (4.7 uF, 15 VDC, ± 5%)	X-1	2212 3277	current shunt (100A)
E	1127 7779	resistor (470 ohm, 2W, 5%)	Y	2219 8865	transformer/coil
F	2212 3475	fan (105 CFM)	Z	2215 7317	current transformer
G	2219 7529	master board assembly	AA	1944 2797	capacitor (33K uF, 10VDC, - 10% + 20%)
H	2212 3251	IC, LINEAR - 6V	AB	1900 1643	capacitor (10 uF, 25 VDC, ± 10%)
I	2208 8306	capacitor (.47 uF, 600 VDC, ± 10%)	AC	2208 8256	capacitor (.47uF, 200V, ±10%)
J	2219 7644	connector (P7)	AD	2204 7666	capacitor (1000 uF, 10VDC, - 15% + 20%)
K	2475 6355	IC, LINEAR, + 12V	AE	2219 1662	card guide bracket
L	1266 6541	resistor (15K, 10W, 5%)	AF	2219 7628	connector (P8)
M	2219 1530	capacitor (8 uF, 200 VDC, ± 20%)	AG	2212 3442	capacitor (1500 uF, 400 VDC, + 50% - 10%)
N	2219 7636	connector (P3)	AH	2212 3103	capacitor (5800 uF, 40VDC, + 50% - 10%)
O	2219 1639	resistor (8K, 20W, 5%)	AI	2212 3095	capacitor (4000uF, 30VDC)
P	----	refer to INPUT POWER ASSEMBLY	AJ	----	refer to CONTROL BOARD ASSEMBLY
Q	2219 1621	resistor (25 ohm, 20W 5%)	AK	2206 9397	connector (3 pin), use: 2206 9546 pin
R	2204 7450	resistor (150 ohm, 5W, 5%)	AL	1150 2200	fuse holder, use: 2306 9081 fuse (8A, 250V)
S	----	refer to OUTPUT RECTIFIER ASSEMBLIES			
T	----	refer to INVERTER BOARD ASSEMBLY			

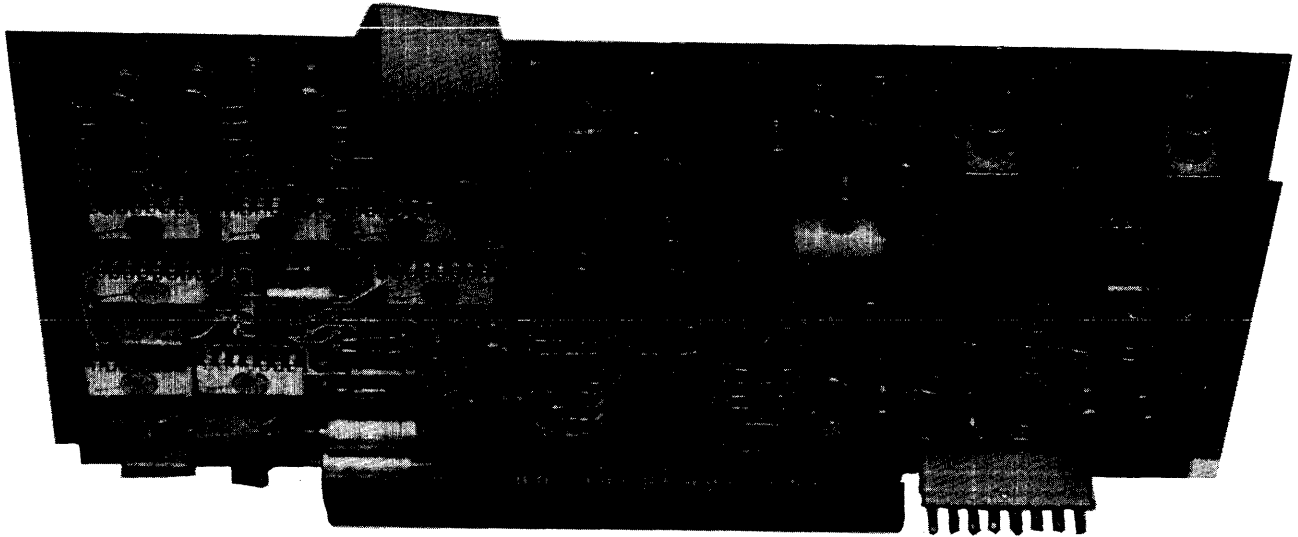
RESERVED FOR FUTURE USE

CONTROL BOARD ASSEMBLY (PLATE 3-9)



PART NUMBERS ON NEXT PAGE

CONTROL BOARD ASSEMBLY (PLATE 3-9) CONTINUED



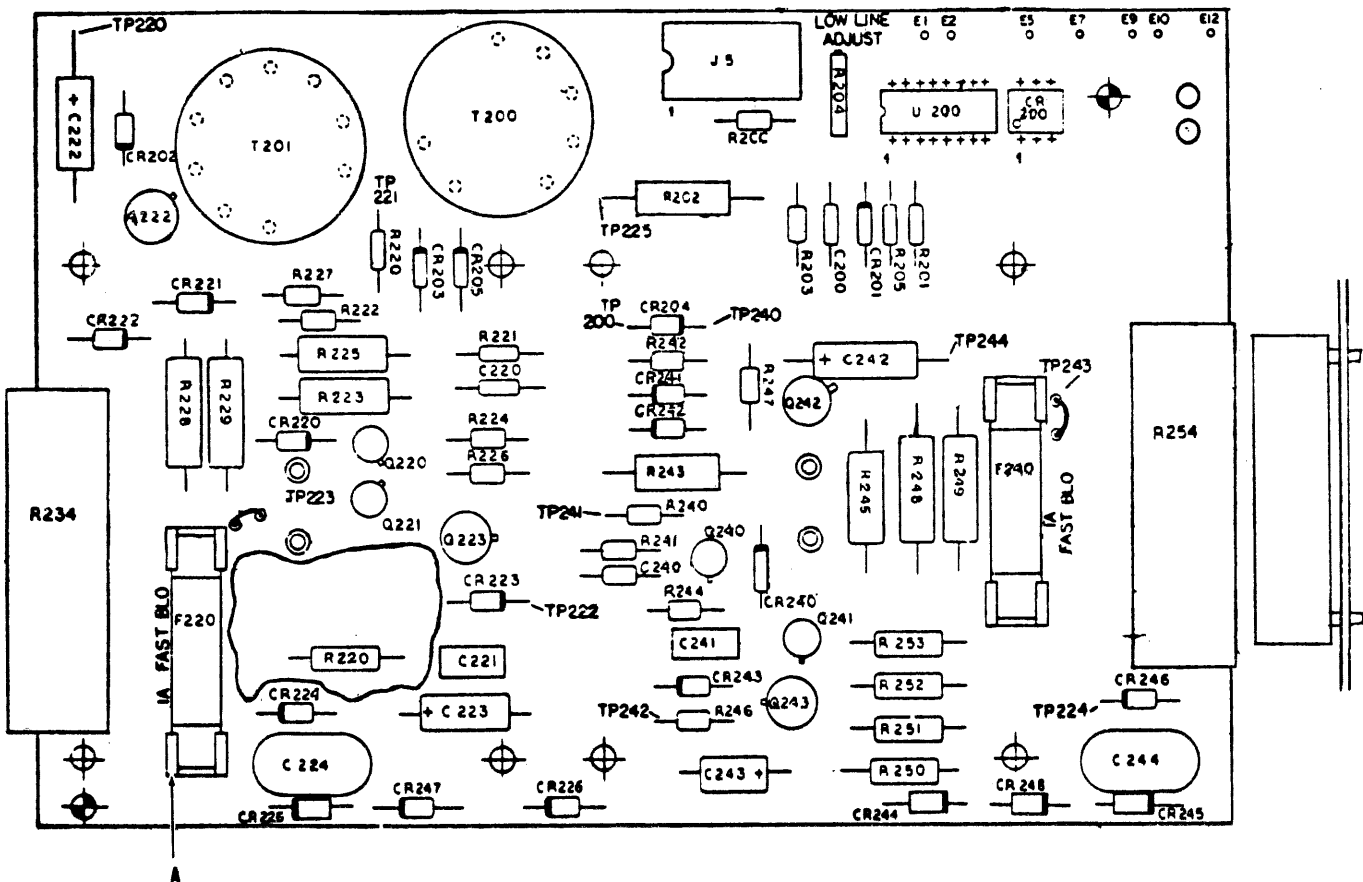
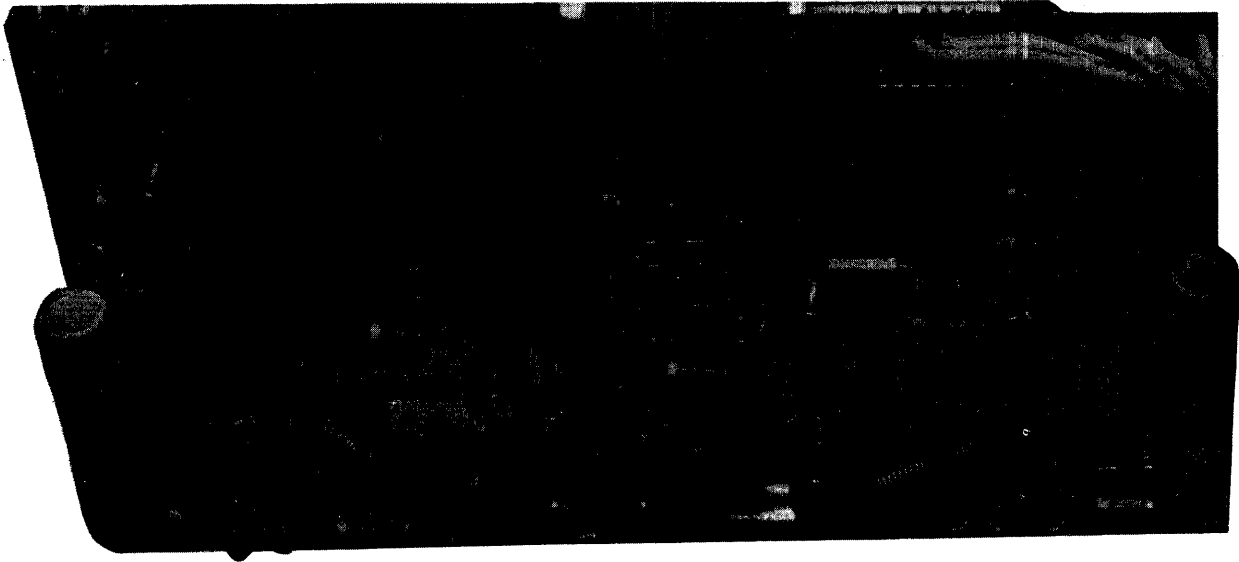
2219 7537 complete control board assembly

PART NUMBERS (PLATE 3-9)

CAPACITORS				
1127 8595	100 pF	100VDC	± .5%	C105, C141, C142
2300 5572	1000 pF	50VDC	±20%	C125
2300 5655	4700 pF	50VDC	±20%	C106, C107, C108, C122
2300 5697	.01 uF	50VDC	±20%	C104
2200 0715	.01 uF	200VDC	±10%	C115
2300 5747	.022 uF	50VDC	±20%	C116
2300 5820	.1 uF	50VDC	±20%	C100, C101, C110, C111, C117, C119, C121, C128, C130 thru C140
1101 4784	1.0 uF	20VDC	± 5%	C102
1267 9064	2.2 uF	20VDC	±20%	C127
2311 4481	4.7 uF	15VDC	± 5%	C124
1101 5344	10 uF	35VDC	±20%	C118
1267 9189	15 uF	20VDC	±20%	C126
1267 9205	22 uF	15VDC	±20%	C129
1101 4875	47 uF	20VDC	± 5%	C109, C143
1267 9270	47 uF	35VDC	±20%	C120
DIODES				
2201 3700	LED (red)			CR127
2219 2223	LVA47A			CR129
1117 9561	1N4002			CR126
1627 0175	1N4148			CR100 thru CR109
1126 3258	1N756A			CR120, CR121
1102 7927	2N1595			CR124
INTEGRATED CIRCUITS				
2663 9252	BUF INV (HEX CMOS)			U105, U106
1949 1406	CA3080A (OP AMP)			U101, U107, U108
2663 9211	FLIP-FLOP (J-K)			U103
2663 9153	GATE (4-2 INP NAND)			U102
2663 9120	GATE (4-2 INP NOR)			U104
2663 9427	MULTI-VIBRATOR (CMOS)			U109, U110
1907 7726	747 (OP AMP)			U100
POTENTIOMETERS				
2212 3814	100 ohm	.3W	±10%	R103
2155 6303	10K	¼W	±10%	R111

RESISTORS				
1111 8452	68.1 ohm	¼W	2%	R118
	1K	¼W	2%	R119, R122, R145, R155, R166, R177
1111 8734				R115 thru R117
1111 8809	1.96K	¼W	2%	R106, R108
1267 5138	2.21K	¼W	1%	R105, R107
1266 4768	2.49K	¼W	1%	R104
1111 8874	3.83K	¼W	2%	R100
1111 8916	5.62K	¼W	2%	R112, R123, R124, R137, R139, R141, R146, R170, R172, R182, R185, R142
	10K	¼W	2%	R113, R147
1111 8973				R114, R180
1111 8981	11K	¼W	2%	R109, R110
1111 9112	38.3K	¼W	2%	
1267 0576	121K	¼W	1%	
TRANSISTORS				
1109 5924	TYPE AK			Q103, Q107, Q113
1116 6535	TYPE AR			Q101, Q104, Q105, Q112, Q117, Q108, Q109
1120 0482	TYPE AT			Q100, Q102, Q106, Q110, Q111, Q114, Q116
1143 4396	TYPE BE			Q116
2208 4362	2N2222A			Q118
MISCELLANEOUS				
2219 7651	connector			P2
2208 9742	socket (16 pin)			J4
2201 8394	switch (toggle, DPDT)			S100, S101

INVERTER BOARD ASSEMBLY (PLATE 3-10)



PART NUMBERS ON NEXT PAGE

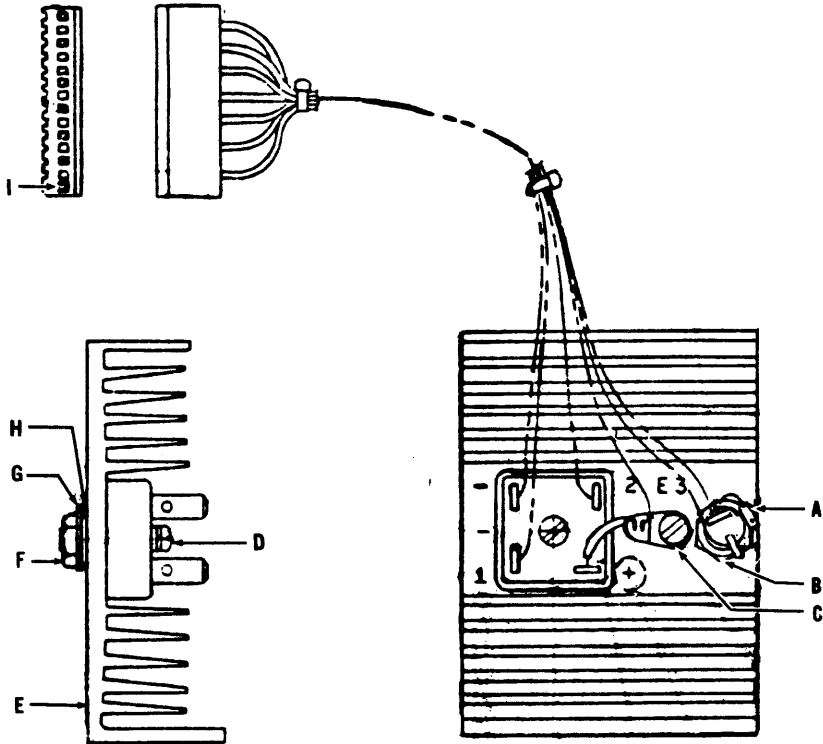
PART NUMBERS (PLATE 3-10)

2219 7446 complete inverter board assembly

<u>CAPACITORS</u>				
2300 5531	470 pF	50VDC	±10%	C200
2205 9794	.0047 uF	600V	±10%	C224, C244
2300 5697	.01 uF	50VDC	20%	C220, C240
2010 2083	2.2 uF	50VDC	+80% -20%	C221, C241
2311 4481	4.7 uF	15VDC	4%	C223, C243
1267 9205	22 uF	15VDC	±20%	C222, C242
<u>DIODES</u>				
2201 4260	MCT2E/MCT2EQ4			CR200
2208 6888	S2F			CR202, CR203, CR204, CR205, CR226, CR246
1117 9561	1N4002			CR223, CR243, CR225, CR245, CR224, CR244, CR247, CR248
1627 0175	1N4148			CR220, CR221, CR222, CR240, CR241, CR242
1088 9954	1N4742A Zener			CR201
<u>INTEGRATED CIRCUITS</u>				
1908 0266	512 VR			U200
<u>RESISTORS</u>				
1268 1854	11 ohm	½W	5%	R230, thru R233, R250
1268 3009	13 ohm	1W	5%	R228, R229, R248, R249
2208 8470	20 ohm	20W	5%	R234, R254
1111 8411	46.4 ohm	¼W	2%	R205
1111 8429	51.1 ohm	¼W	2%	R221, R241
1111 8494	100 ohm	¼W	2%	R220, R222, R226, R227, R240, R242, R246, R247
1269 1176	165 ohm	1W	1%	R223, R243
1269 1523	383 ohm	1W	1%	R225, R245
1111 8692	681 ohm	¼W	2%	R224, R244
2205 6063	5K	.3W	10%	R204
1111 8924	6.19K	¼W	2%	R203
1111 8940	7.5K	¼W	2%	R201
1111 9104	34.8K	¼W	2%	R200
1269 4246	261K	1W	1%	R202

<u>TRANSFORMERS</u>		
2215 7275	Base Drive	T200
2215 7283	Bias Support	T201
<u>TRANSISTORS</u>		
1109 5924	TYPE AK	Q220, Q221, Q240, Q241
1116 6535	TYPE AR	Q223, Q243
1143 4396	TYPE BE	Q222, Q242
<u>MISCELLANEOUS</u>		
2212 3335	clip (fuse mtg.)	A
1343 0939	fuse (1A, 250V, FB)	F220, F240
2208 9742	socket (16 pin)	J5
2015 3268	1.0uH	L220, L240

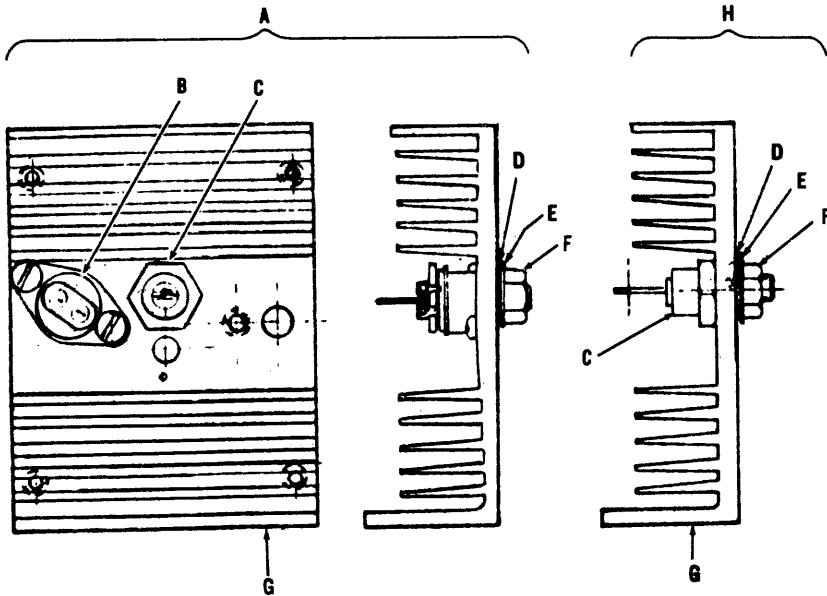
INPUT POWER ASSEMBLY (PLATE 3-11)



PART NUMBERS (PLATE 3-11)

	2219 7354	complete input power assembly
A	2300 5820	capacitor (.1 uF, 50VDC, + 22% - 56%)
B	2216 1681	rectifier (SCR)
C	1103 7108	lug
D	2219 1290	bridge rectifier
E	2219 7305	heatsink
F	1105 9607	nut
G	1256 8093	washer
H	1256 7764	lockwasher
I	2219 1118	connector, use: 2018 6029 contact

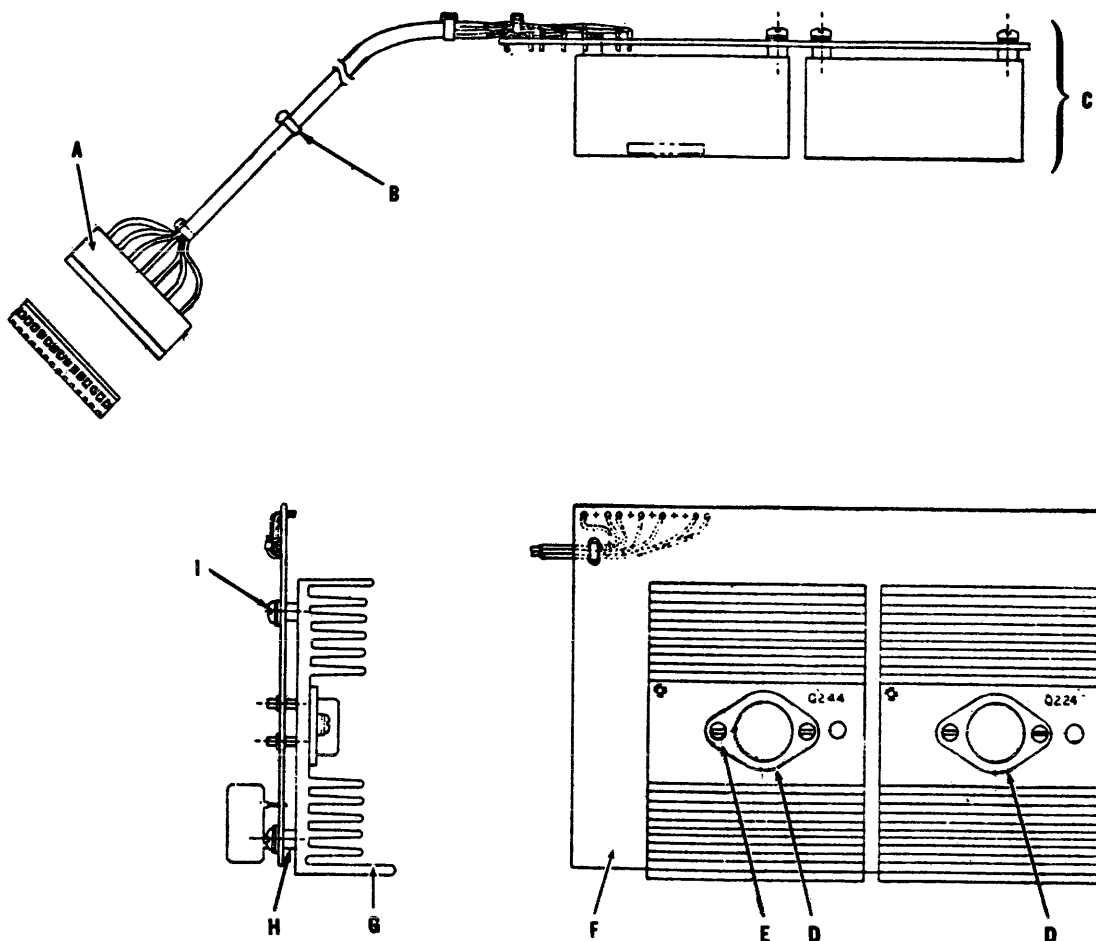
OUTPUT RECEIVER ASSEMBLIES (PLATE 3-12)



PART NUMBERS (PLATE 3-12)

A	2219 7404	output rectifier assembly -1, includes B thru G
B	2206 7490	thermostat, use: 1256 0850 screw 1256 7723 lockwasher 1256 8010 washer
C	2219 1571	power rectifier
D	1256 7764	lockwasher
E	1256 8093	washer
F	1105 9607	nut
G	2219 7305	heatsink
H	2219 7412	output rectifier assembly -2, includes C thru G

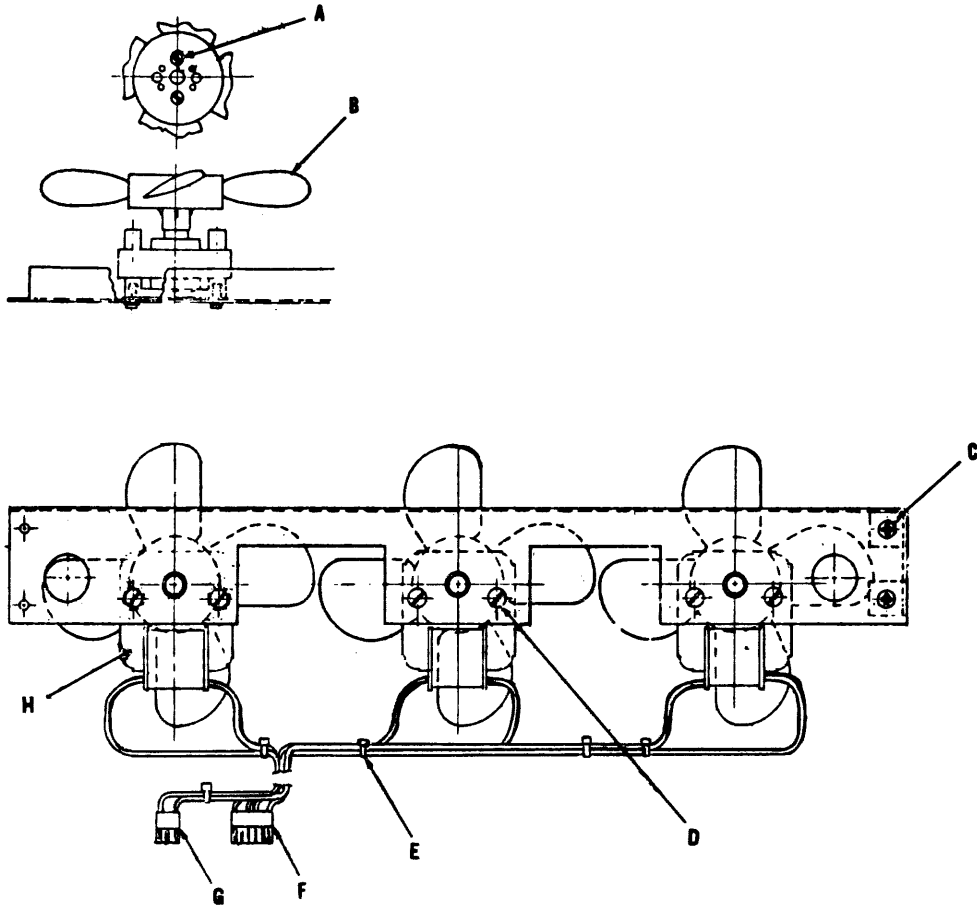
INVERTER ASSEMBLY (PLATE 3-13)



PART NUMBERS (PLATE 3-13)

A	2219 1118	connector (J3)
B	1112 0599	cable strap
C	2219 7438	complete inverter assembly
D	2219 2603	transistor
E	1256 0868	screw, use: 1256 8010 washer 1256 7723 lockwasher
F	— —	refer to INVERTER BOARD ASSEMBLY
G	2221 6345	heatsink
H	2219 2777	standoff
I	1256 0843	screw, use: 1256 8010 washer 1256 7442 lockwasher

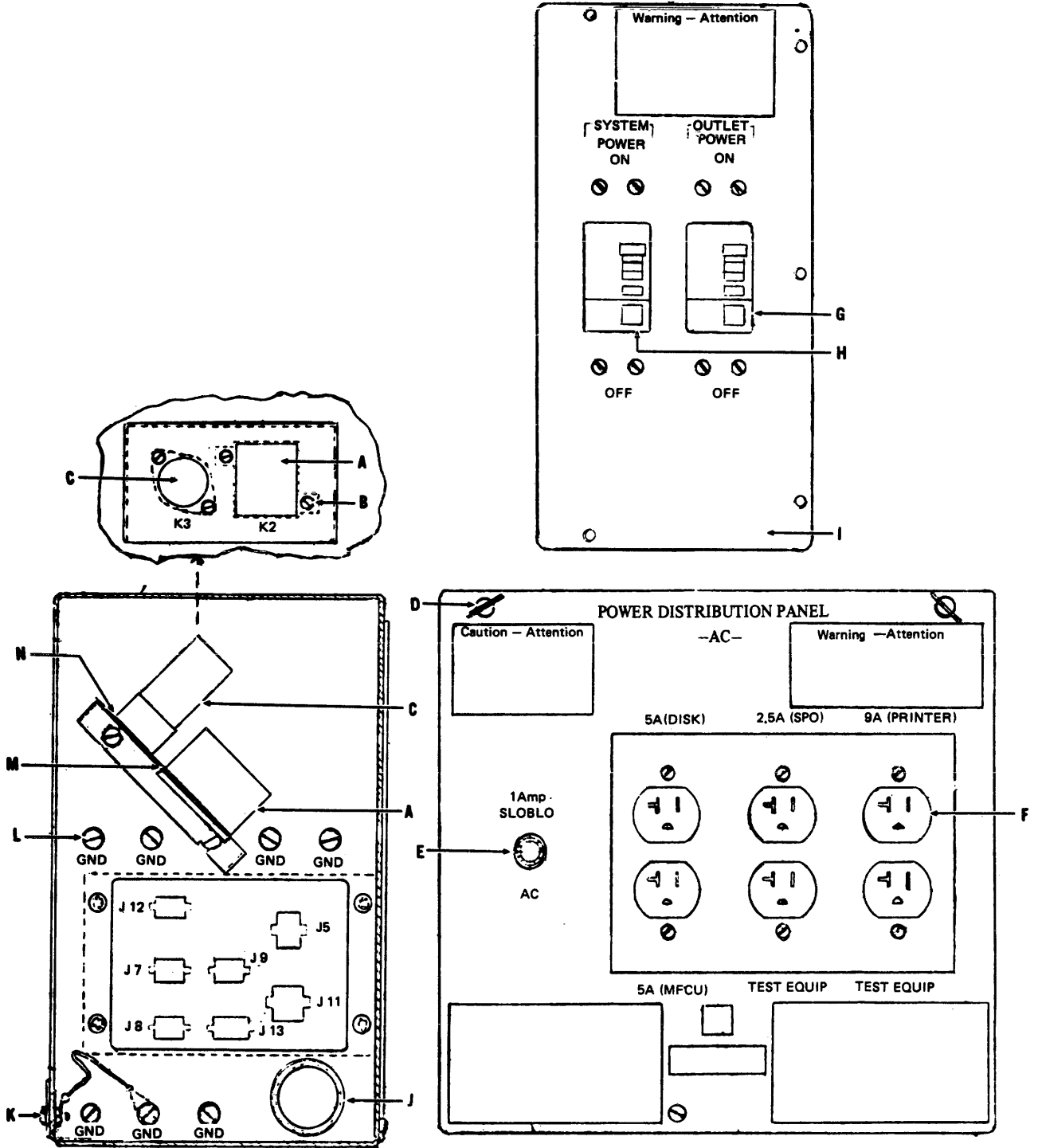
BLOWER BRACKET ASSEMBLY (PLATE 3-14)



PART NUMBERS (PLATE 3-14)

	2211 1124	complete blower bracket assembly
A	1256 0249	screw, use: 1256 7988 washer 1256 7418 lockwasher
B	1439 4837	fan blade
C	2208 9452	screw
D	1256 1478	screw, use: 1196 7882 washer
E	1112 0599	cable strap
F	2208 8819	PC connector (6 pin), use: 2208 8892 contact
G	2208 8777	PC connector (3 pin), use: 2208 8892 contact
H	1439 4845	motor

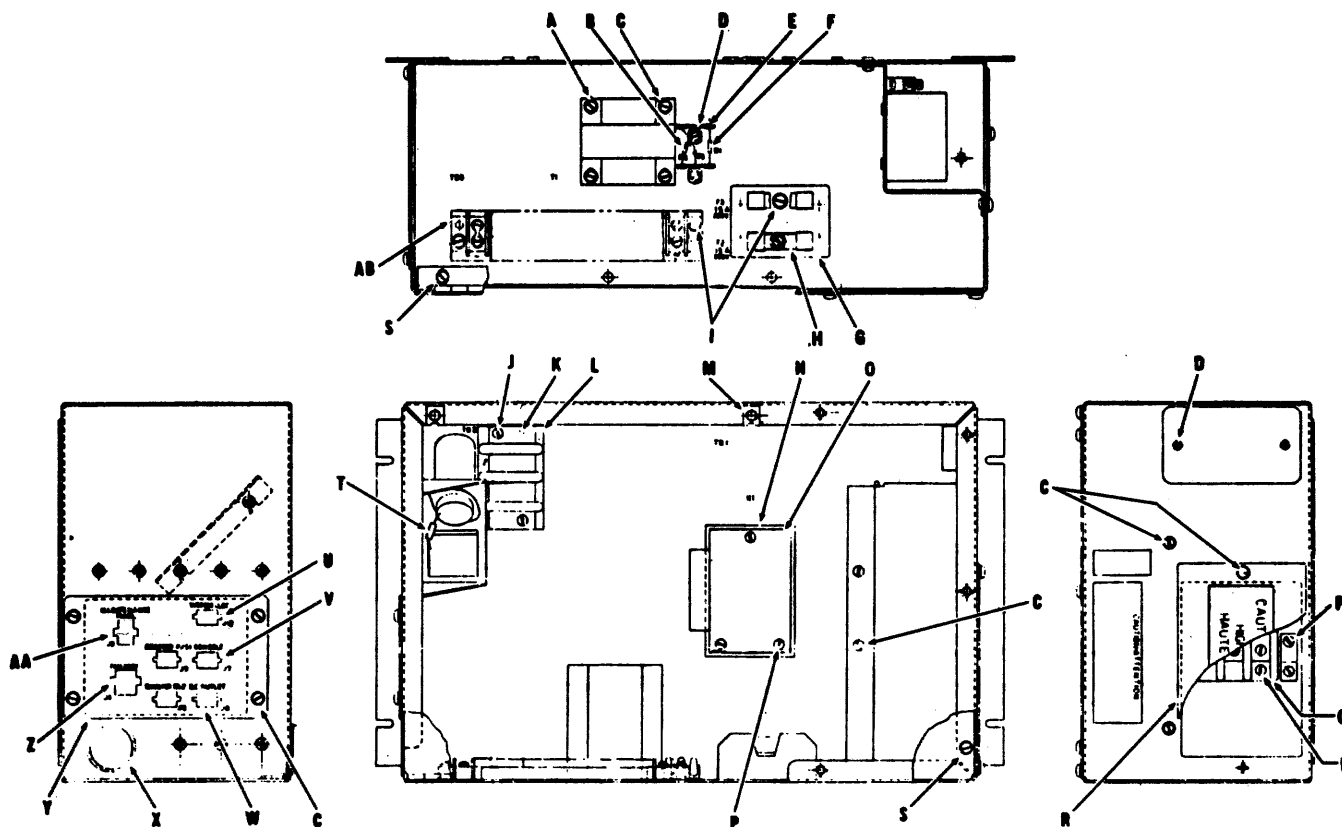
AC POWER DISTRIBUTION (B1800) - EXTERNAL VIEW (PLATE 3-15)



PART NUMBERS (PLATE 3-15)

A	2206 9207	relay	F	2205 9232	duplex receptacle (60 Hz) receptacle connector, 3 wire (50 Hz)	K	1256 1486	screw, use:
B	1256 0868	screw, use: 1256 8010 washer 1256 7723 lockwasher 1256 5248 nut		2204 8250		} use B		1256 8051 washer 1256 7749 lockwasher 1256 5289 nut
C	1102 2332	thermal delay relay	G	2206 9777	breaker, 240VAC, 20A, use B		L	1256 1460
D	2041 6228	quick release fastener	H	2206 9793	breaker, 240VAC, 40A, use B	M	2156 9769	relay socket
E	1102 1268	fuse holder, use: 1102 8115 fuse (1A, 125V) 1190 2699 retainer	I	2212 6668	circuit breaker plate	N	1159 3282	tube socket
			J	2207 8646	nylon grommet			

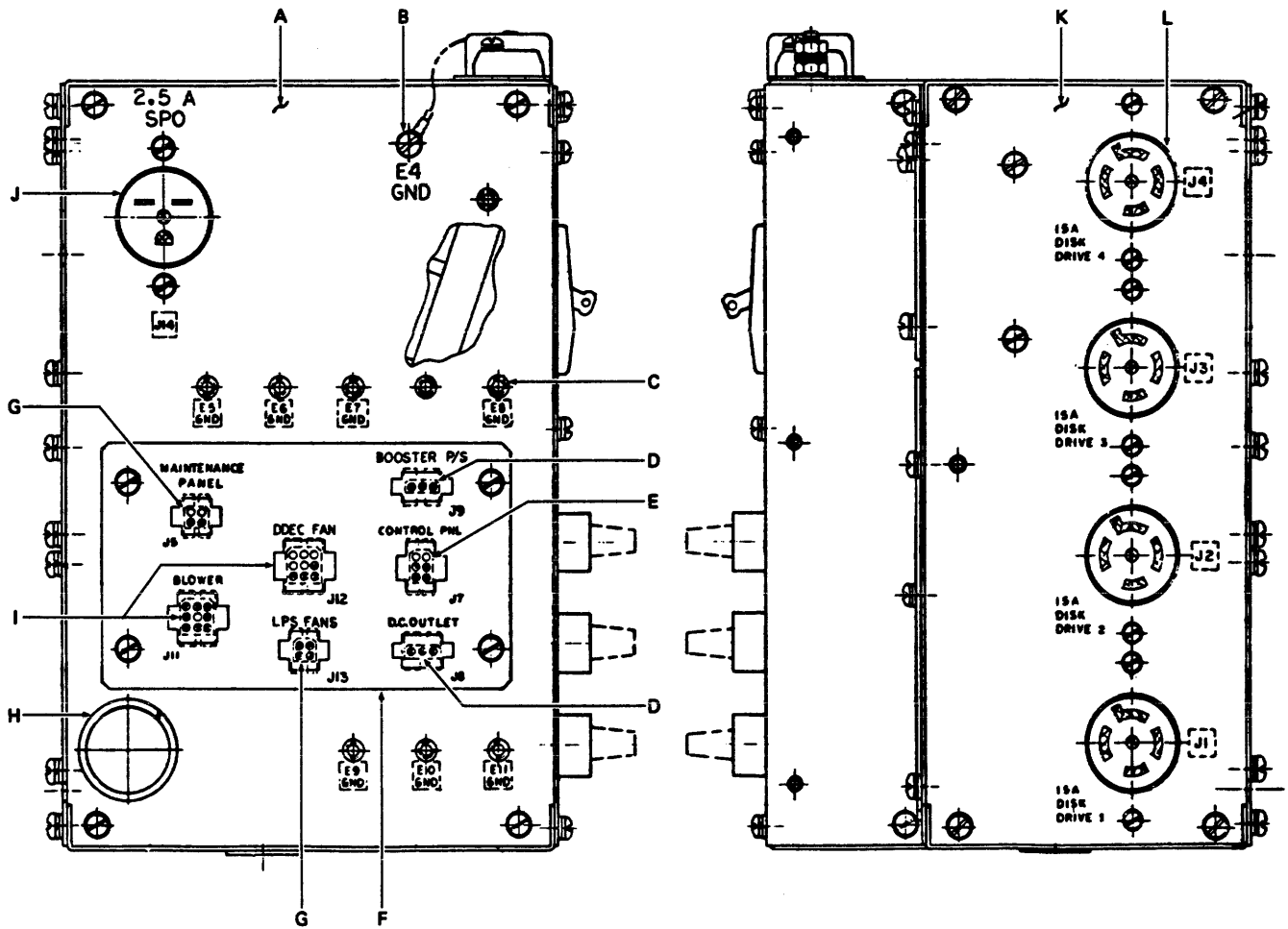
AC POWER DISTRIBUTION (B1800) - INTERNAL VIEW (PLATE 3-16)



PART NUMBERS (PLATE 3-16)

A	2201 4294	transformer	Q	2205 5297	terminal block
B	1114 9309	resistor (100K, ½W, 1%)	R	2212 6874	AC access cover
C	1256 1106	screw, use: 1256 8036 washer 1256 7731 lockwasher	S	1256 1460	screw, use: 1256 8051 washer 1256 7749 lockwasher
D	1256 0868	screw, use: 1256 7723 lockwasher 1256 8010 washer 1256 5248 nut	T	2204 7815	capacitor (.47 uF, 100V, 10%)
E	1117 8498	terminal strip	U	2206 9397	plug (3 pin), use: 2206 9546 contact
F	1114 8574	resistor (100 ohm, ½W, 1%)	V	2206 9355	receptacle (6 pin), use: 2206 9561 contact
G	1141 0602	fuseholder (double pole)	W	2206 9348	receptacle (3 pin), use: 2206 9561 contact
H	1944 1765	fuse (15A, 250V, CTG)	X	2207 8646	nylon grommet
I	1256 1148	screw, use: 1256 8036 washer 1256 7731 lockwasher	Y	2210 8831	connector panel
J	1256 1155	screw, use: 1256 8036 washer 1256 7731 lockwasher	Z	2206 9363	receptacle (9 pin), use: 2206 9561 contact
K	1103 1598	terminal block	AA	2206 9389	receptacle (4 pin), use: 2206 9561 contact
L	1102 6424	marker strip	AB	1103 1598	terminal block, use: 1104 9558 terminal strip jumper
M	1190 2558	clip-on receptacle			
N	2209 5905	insulator			
O	2208 4628	contactor (30A, 24V)			
P	1256 1486	screw, use: 1256 8051 washer 1256 7749 lockwasher			

AC POWER DISTRIBUTION (B1900) - EXTERNAL VIEW (PLATE 3-17)

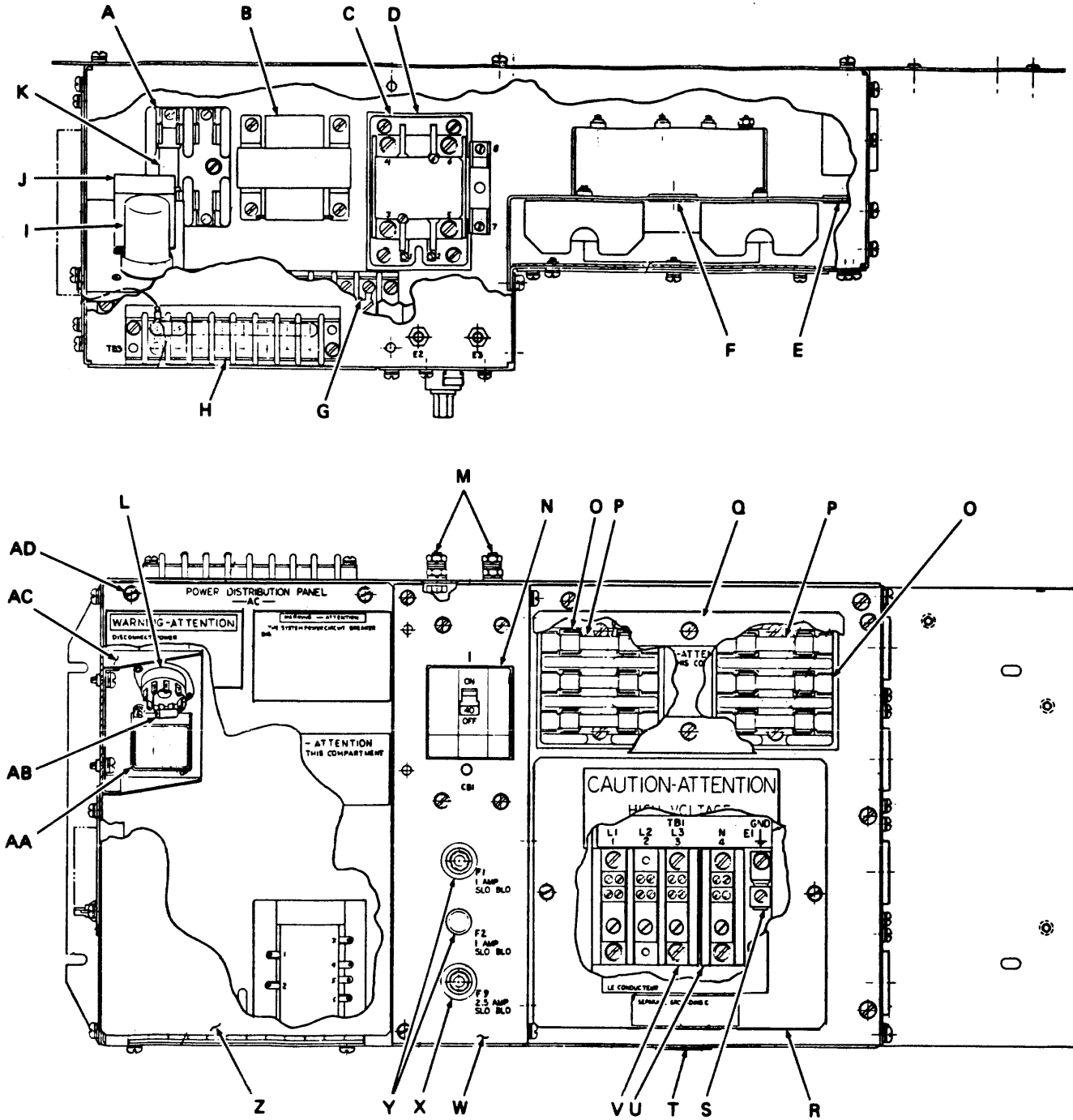


TC1109

PART NUMBERS (PLATE 3-17)

A	2228 3204	connector side panel, use: 1256 1460 screw 1256 7467 lockwasher 1256 8051 washer	G	2206 9389	receptacle (4 pin), use: 2206 9561 contact
B	2225 4932	jumper, use: 1256 1460 screw 1256 7467 lockwasher 1256 8051 washer	H	2219 3148	grommet
C	1256 1460	screw, use: 1256 7467 lockwasher 1256 8051 washer	I	2206 9363	receptacle (9 pin), use: 2206 9561 contact
D	2206 9348	receptacle (3 pin), use: 2206 9561 contact	J	1409 0617	125V receptacle (60 Hz)
E	2206 9355	receptacle (6 pin), use: 2206 9561 contact	K	2226 5177	disk drive panel, use: 1256 1460 screw 1256 7467 lockwasher 1256 8051 washer
F	2226 6845	connector panel, use: 1256 1106 screw 1256 7459 lockwasher 1256 8036 washer	L	2160 7114	receptacle (4 places), use: 1256 0868 screw 1256 8010 washer 1256 7442 lockwasher

AC POWER DISTRIBUTION (B1900) - INTERNAL VIEW (PLATE 3-18)



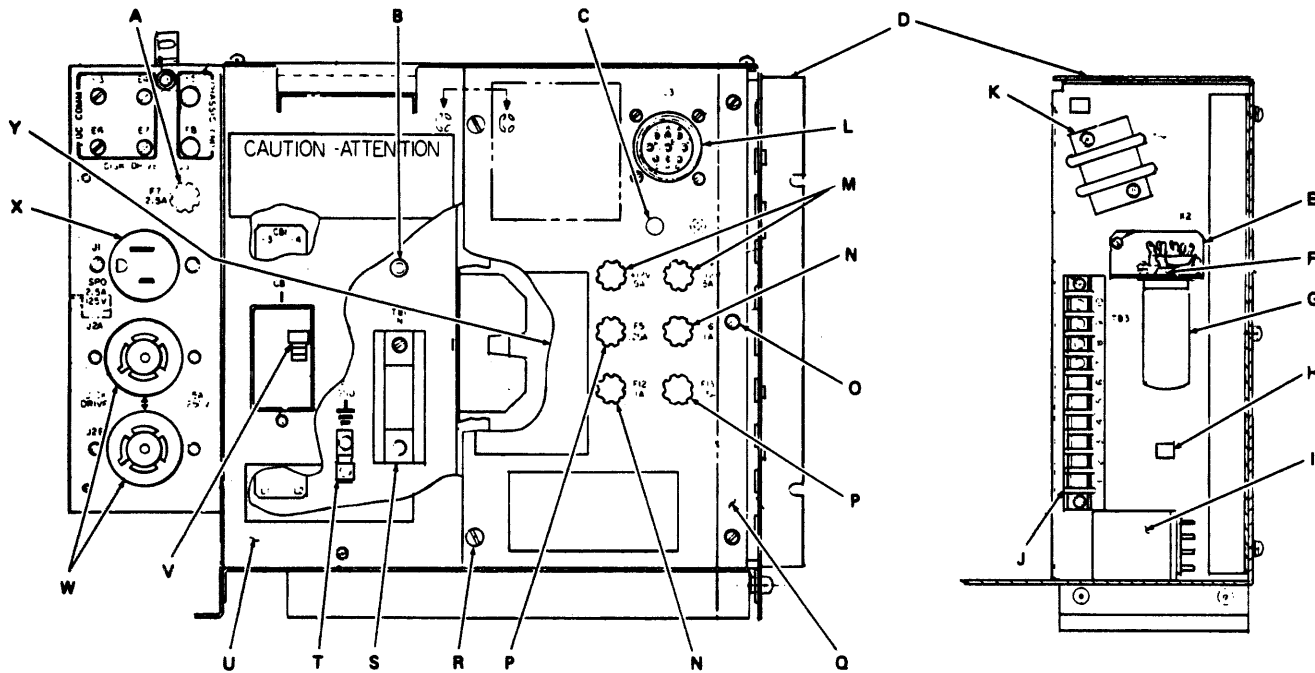
TC1110

PART NUMBERS ON NEXT PAGE

PART NUMBERS (PLATE 3-18)

A	1141 0602	fuseholder, 2 pos., use: 1256 1502 screw	R	2226 6134	cover, use: 1256 1106 screw
B	2201 4294	transformer (50/60 Hz), use: 1256 1486 screw 1256 8051 washer 1256 7467 lockwasher			1256 7459 lockwasher 1256 8036 washer
C	2208 4628	contactor, (30A, 24V), use: 1256 1486 screw 1256 8051 washer 1256 7467 lockwasher	S	2208 6615	grounding terminal, use: 1256 1486 screw 1256 8051 washer 1256 7467 lockwasher 1256 5289 nut
D	2209 5905	insulator	T	2219 9582	grommet
E	1101 7605	grommet	U	2222 0685	terminal block, 1 pos., use: 1256 1502 screw
F	2219 3130	grommet	V	2222 0719	terminal block, 3 pos., use: 1256 1502 screw
G	1111 0467	terminal block, use: 1104 7313 marker strip 1104 9558 jumper 1256 1510 screw 1256 7467 lockwasher 1256 8051 washer	W	2226 5227	panel, use: 1256 1460 screw 1256 7467 lockwasher 1256 8051 washer
H	1111 0426	terminal block, use: 1104 7271 marker strip 1104 9558 jumper 1256 1510 screw 1256 7467 lockwasher 1256 8051 washer 1256 5289 nut	X	1102 1268	fuse holder, use: 1102 8081 fuse (2.5A, 250V)
L	1102 2332	delay relay	Y	1102 1268	fuse holder, use: 1102 8115 fuse (1A, 250V)
J	2206 9207	24V relay	Z	2226 5193	AC box door, use: 1256 1460 screw 1256 7467 lockwasher 1256 8051 washer
K	1944 1740	fuse (6A, 250V) (2 places)	AA	2156 9769	relay socket
L	1159 3282	tube socket	AB	2204 7815	capacitor, (.47uF, 100V, ±10%)
M	1256 6113	screw, use: 1256 8093 washer 1256 7483 lockwasher 1256 5404 nut	AC	2207 7853	relay mounting bracket, use: 1256 1460 screw 1256 7467 lockwasher 1256 8051 washer
N	2208 5278	circuit breaker (240V, 40A)	AD	2015 3169	stud fastener, includes: 2221 9661 retainer ring 1190 2558 clip on receptacle
O	1952 5328	fuseholder, 3 pos., use: 1256 1502 screw			
P	2018 8553	fuse (20A, 250V) (3 places)			
Q	2226 6142	cover, use: 1256 1106 screw 1256 7459 lockwasher 1256 8036 washer			

AC POWER DISTRIBUTION (B1905) - FRONT VIEW (PLATE 3-19)

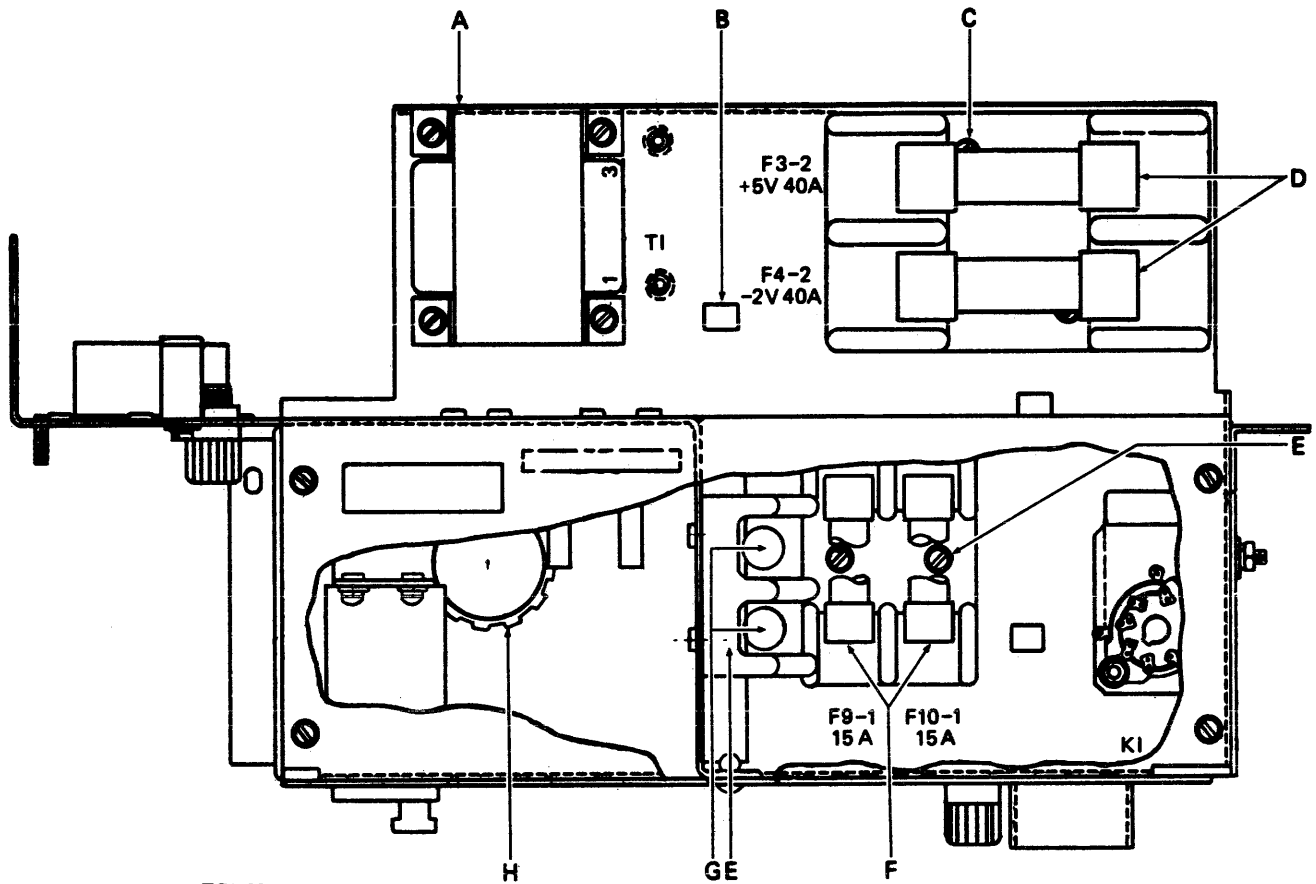


TC1111

PART NUMBERS (PLATE 3-19)

A	1150 2200	fuse post, use: 1102 8081 fuse (2.5A, 250V)	O	1256 1106	screw, use: 1256 7459 lockwasher 1256 8036 washer
B	1146 8261	grommet	P	1150 2200	fuse post, use: 1102 7984 fuse (.25A, 250V) for 50Hz, location F13, use: 1103 7736 plug
C	1126 2409	plug	Q	2228 1430	door
D	2228 4616	side panel	R	2015 3177	stud fastener, includes: 2212 2311 ejector spring 2219 0797 washer 2221 9661 retainer ring 1190 2558 clip on receptacle
E	2228 4814	mounting bracket, use: 1256 0850 screw 1256 7442 lockwasher 1256 8010 washer	S	2222 0685	terminal block, use: 1256 1122 screw 1256 7459 lockwasher 1256 8036 washer
F	1159 3282	tube socket, use: 1256 0348 screw 1256 7996 washer 1256 7426 lockwasher	T	2208 6631	ground terminal, use: 1256 1122 screw 1256 7459 lockwasher 1256 8036 washer
G	1102 2399	relay (delay)	U	2228 4772	panel
H	2008 8852	cable clamp	V	2206 9793	circuit breaker, 240 VAC, 40A
I	2228 6652	relay (25A, 24 VAC)	W	2160 7114	receptacle, 15A, use: 1256 0850 screw 1256 7442 lockwasher 1256 8010 washer
J	2225 7554	terminal block, use: 2010 9542 marker strip 1256 0900 screw 1256 7442 lockwasher 1256 8010 washer	X	1409 0617 1907 6447	receptacle (125V) 60Hz, use: receptacle (250V), 50Hz 1256 1106 screw 1256 7459 lockwasher 1256 8036 washer 1256 5263 nut
K	1111 6043	terminal block, use: 1256 0918 screw 1256 8010 washer 1256 7442 lockwasher	Y	— —	refer to 24V CONTROL ASSEMBLY (not visible in illustration)
L	2205 7095	receptacle connector, use: 1256 0884 screw 1256 5248 nut 1256 7442 lockwasher 1256 8010 washer			
M	1150 2200	fuse post, use: 1102 2852 fuse (5A, slowblow)			
N	1150 2200	fuse post, use: 1102 8115 fuse (1A, 250V) for 50Hz, location F12, use: 1103 7736 plug			

AC POWER DISTRIBUTION (B1905) - TOP VIEW (PLATE 3-20)

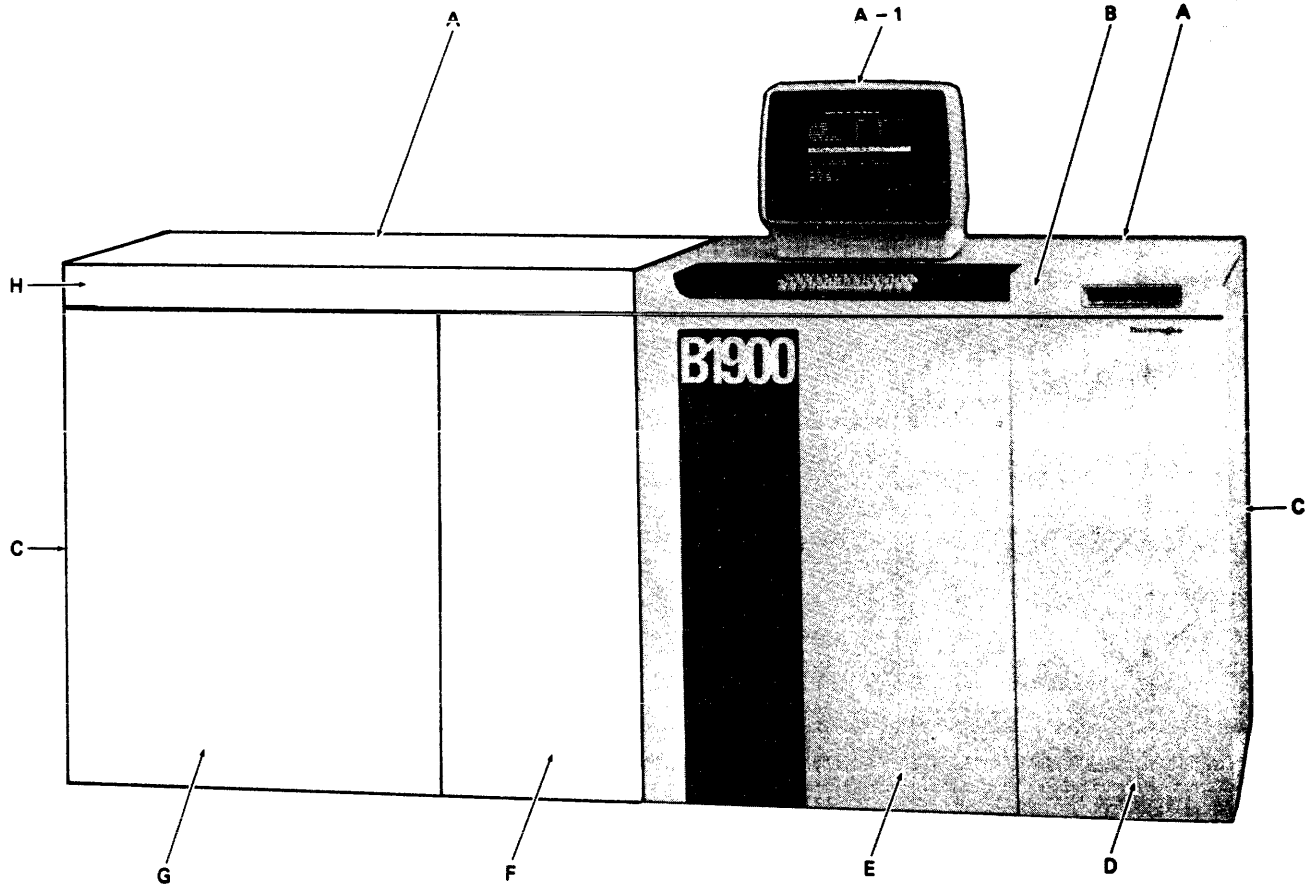


TC1138

PART NUMBERS (PLATE 3-20)

A	2201 4294	transformer 50/60Hz, use: 1256 1106 screw 1257 7459 lockwasher 1256 8036 washer
B	2008 8852	cable clamp
C	2222 0016	fuse holder (2 position), use: 1256 1106 screw 1256 7459 lockwasher 1256 8036 washer
D	1634 8104	fuse (40A)
E	1141 0602	fuse holder (2 position) 60Hz, use: 1941 1495 fuse holder (1 position), 50Hz use: 1256 1106 screw 1256 7459 lockwasher 1256 8036 washer
F	1944 1765	fuse (15A, 250V)
G	2018 8553	fuse (20A)
H	1110 0831	nylon grommet

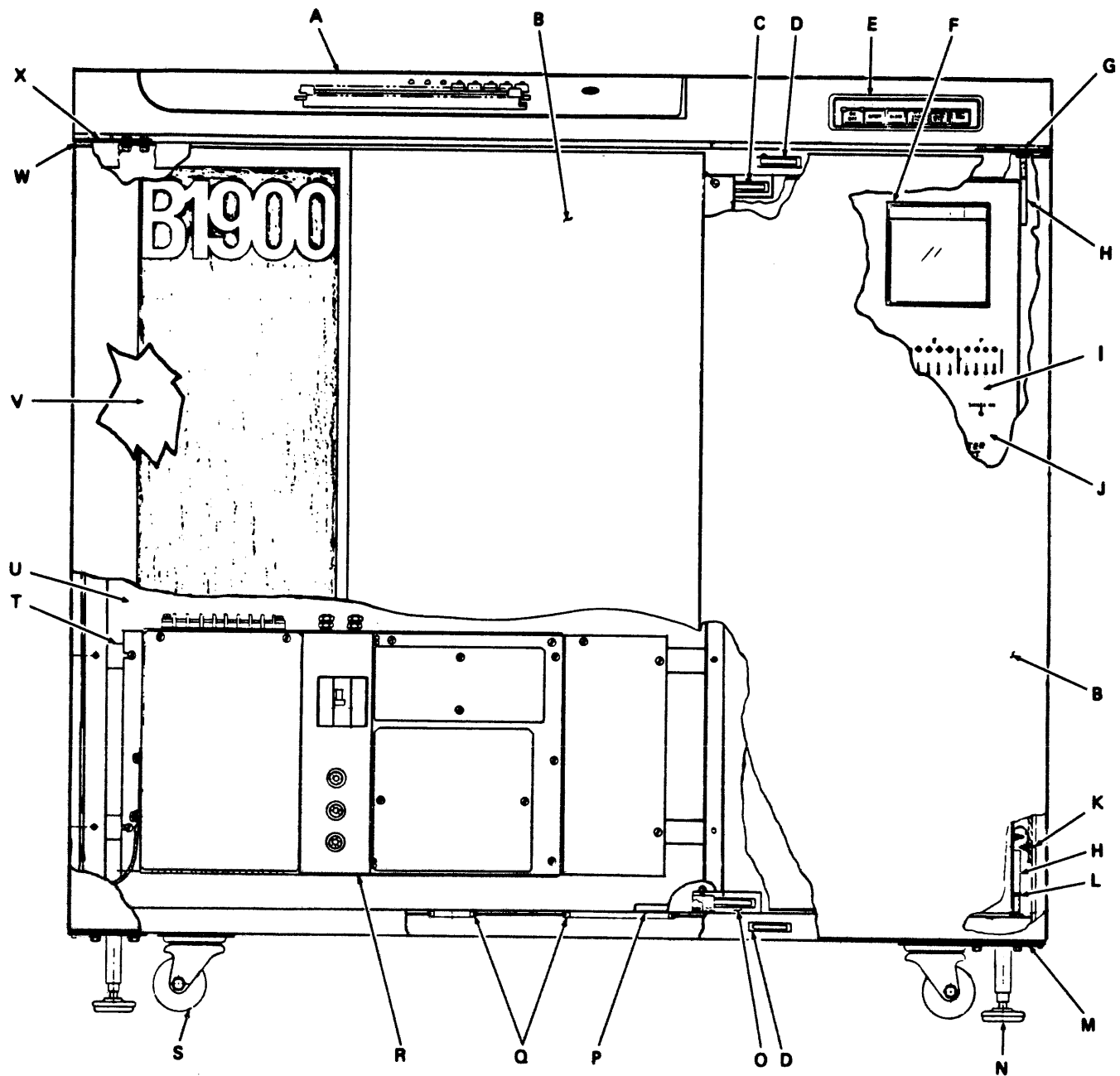
SECTION 4
B 1985/55/15
PANELS (PLATE 4-1)



PART NUMBERS (PLATE 4-1)

<p>A 2221 8101 rear panel assembly, includes: 2225 0393 rear panel (gray 258) 1104 7487 screw 2219 1944 foam tape 14.5 ft., 4.4196 m) 2222 7151 skin bracket 1256 7731 lockwasher 1256 8036 wash 1256 5263 nut panel top 1111 1861 screw 1256 7467 lockwasher 1256 8051 washer panel bottom</p>	<p>E 2226 9971 door assembly, includes: 2226 9989 front panel (gray 258) 2222 3333 backing plate 2219 1944 foam tape (8 ft., 2.4384m) 1256 1486 screw 1256 8051 washer 1256 7467 lockwasher 1194 0087 nut (u type) 2221 8739 latch 1282 2805 decal, "1900"</p>
<p>A-1 — — refer to B 9348-50 OPERATOR DISPLAY TERMINAL (form 1106093)</p>	<p>F 2222 3986 front panel (small), includes: 2222 3978 panel (gray 258) 2219 1944 foam tape (8 ft., 2.4384m) 1256 1148 screw 1256 8051 washer 1256 7467 lockwasher 2222 7151 bracket, use: 2157 3472 screw 2225 7844 nut</p>
<p>B — — refer to CONSOLE TOP ASSEMBLY</p>	<p>G 2221 8010 door assembly, includes: 2221 7905 front panel (gray 258) 2222 3333 backing plate 2219 1944 foam tape (8 ft., 2.4384m) 2221 8739 pawl latch 1257 4828 logo "Burroughs" 1256 1460 screw 1256 8051 washer 1256 7467 lockwasher 1194 0087 nut (u type) 1256 5925 spring nut</p>
<p>C 2222 2335 side panel assembly, includes: 2222 2194 side panel (gray 258) 1104 7487 screw 1256 7731 lockwasher 1256 8036 washer 2219 1944 foam tape (11.5 ft., 3.5052m) 1194 0111 nut (u type)</p>	<p>H 1863 6431 moulded top</p>
<p>D 2226 6365 door assembly (small), includes: 2226 3412 door (gray 258) 2226 9955 handle 1256 7459 lockwasher 1256 8036 washer 1282 4942 decal, Burroughs</p>	

PROCESSOR - FRONT VIEW (PLATE 4-2)



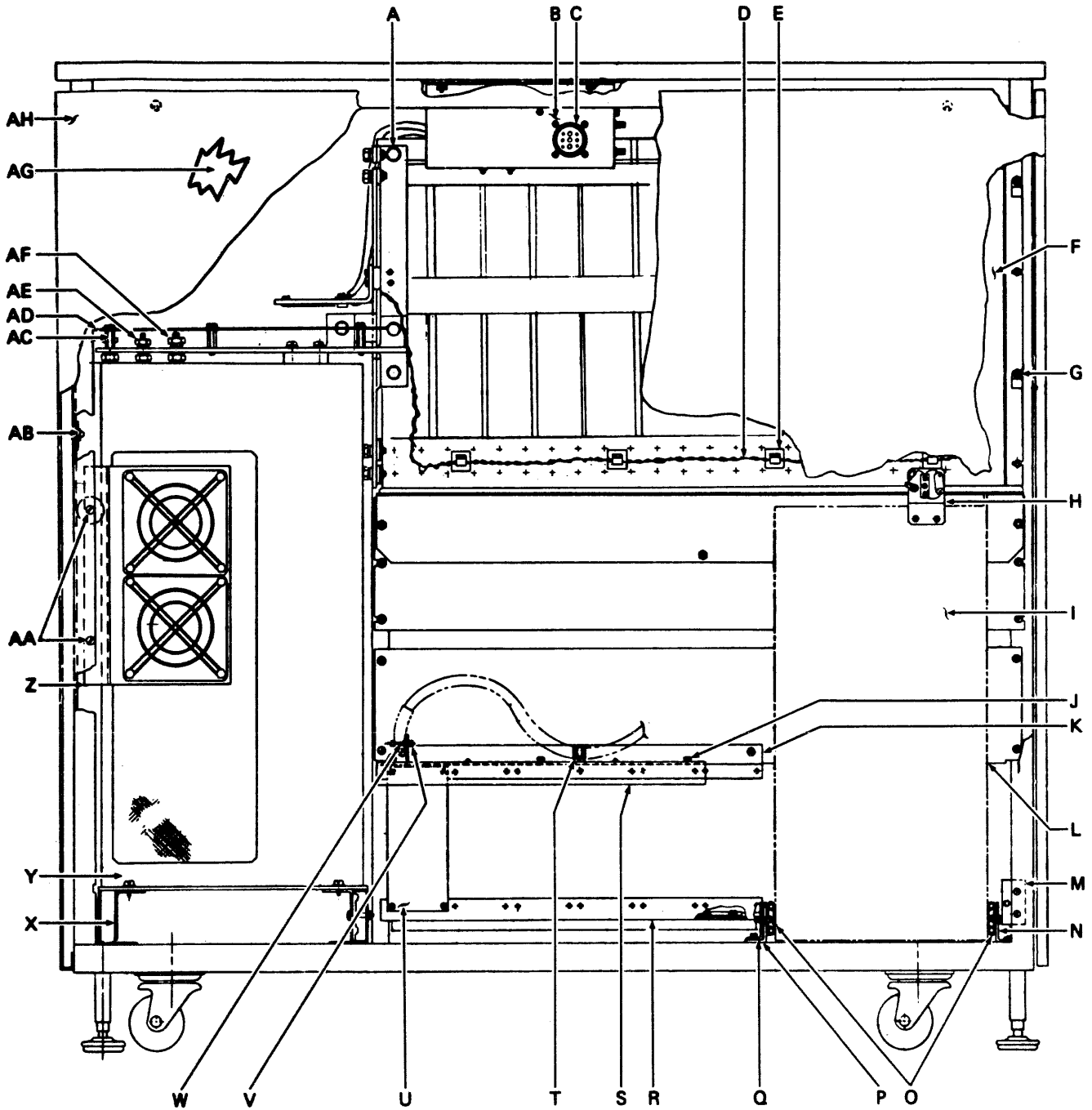
TC1112

PART NUMBERS ON NEXT PAGE

PART NUMBERS (PLATE 4-2)

A	— —	refer to CONSOLE TOP ASSEMBLY
B	— —	refer to PANELS
C	2226 2554	magnet bracket, upper, use: 1920 2670 magnet latch 1256 1486 screw 1256 7467 lockwasher 1256 8051 washer
D	1920 2670	magnet latch
E	— —	refer to CONTROL PANEL ASSEMBLY
F	— —	refer to CASSETTE TAPE PARTS CATALOG (form 1062296)
G	2226 2612	hinge bracket (top), right, use: 1256 6097 screw 1256 8093 washer 1256 7483 lockwasher
H	2222 1725	hinge mounting bracket, use: 1257 3085 screw 1256 7467 lockwasher 1256 8051 washer
I	— —	refer to MAINTENANCE PANEL BOARD ASSEMBLY
J	— —	refer to MAINTENANCE PANEL ASSEMBLY
K	1255 5652	screw, use: 1196 7882 lockwasher 1256 8051 washer 1256 7467 lockwasher 1256 5289 nut
L	1127 6367	nylon washer
M	2222 6211	hinge bracket (bottom), use: 1256 6097 screw 1256 8093 washer 1256 7483 lockwasher
N	2225 8446	leg leveler
O	2226 2562	magnet bracket (bottom), use: 1920 2670 magnet latch 1256 1486 screw 1256 7467 lockwasher 1256 8051 washer
P	2212 3921	cable clamp
Q	1110 0823	nylon grommet
R	— —	refer to AC POWER DISTRIBUTION (1900)
S	2219 0755	swivel caster
T	2226 6852	AC box mounting bracket
U	2224 9122	cable tray cover (not visible in illustration), use: 2224 9114 cable tray
V	2221 7269	card housing assembly (not visible in illustration), includes: 2221 7277 card housing weldment 2221 7640 card housing bus bar 2205 0132 insulator block 2207 6681 card guide 2222 2541 foam tape (28in x .5in, 406.4mm x 12.7mm) 2207 2292 air sealer 1255 5223 screw 1256 1106 screw 1256 8036 washer
W	1127 6367	nylon washer
X	2226 2638	hinge bracket (top), left, use: 1256 6097 screw 1256 8093 washer 1256 7483 lockwasher

PROCESSOR - REAR VIEW (PLATE 4-3)



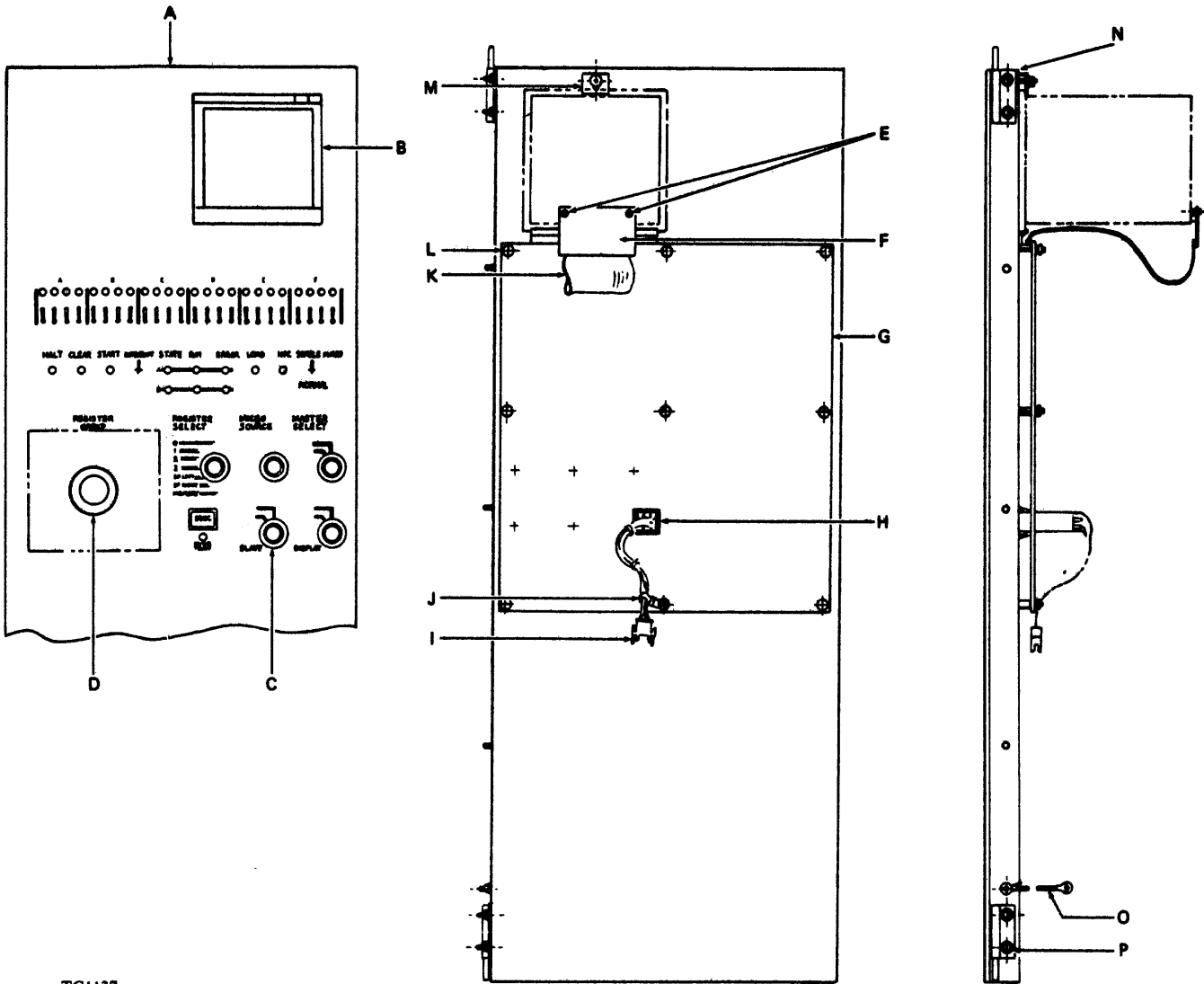
TC1133

PART NUMBERS ON NEXT PAGE

PART NUMBERS (PLATE 4-3)

A	— —	refer to BUS BAR ASSEMBLY	T	2228 2826	cable clamp, use:
B	— —	refer to DC POWER OUTLET ASSEMBLY			1110 0831 nylon grommet
C	2205 7095	connector			1256 0884 screw
D	2222 7391	I/O base cable, +-12V			1256 7442 lockwasher
E	1615 9931	cable clamp, use:	U	2222 6336	1256 8010 washer
		1634 8195 cable tie strap			I/O filler plate, use:
F	2221 7269	card housing assembly, use:			1256 1106 screw
		2300 4625 screw			1256 8036 washer
		1256 7467 lockwasher	V	1255 4903	1256 7459 lockwasher
		1256 8051 washer			screw, use:
G	1112 0573	anchor tie			1256 7442 lockwasher
H	— —	refer to DDEC VOLTAGE REGULATOR ASSEMBLY			1256 8010 washer
I	— —	refer to DDEC PARTS CATALOG (form 2011359), use:	W	1920 2209	1256 5248 nut
		2226 4493 DDEC kit assembly, includes:			strap mounting block, use:
		1256 1122 screw	X	2221 8002	1634 8195 cable strap
		1256 8036 washer			logic power supply slide assembly, includes:
		1256 7459 lockwasher			2221 7970 slide assembly bracket
		1256 0868 screw			2221 7988 RH slide bracket
		1256 8010 washer			2221 7996 LH slide bracket
		1256 7442 lockwasher			2221 8473 drawer slide
		1920 2209 strap mounting block	Y	— —	refer to LOGIC POWER SUPPLY
J	1256 1122	screw, use:	Z	— —	refer to FAN ASSEMBLY
		1256 7459 lockwasher	AA	1256 1486	screw, use:
		1256 8036 washer			1256 8051 washer
K	2225 2746	I/O mounting bracket (top), use:			1196 7882 lockwasher
		1256 1122 screw	AB	1920 2209	1256 5289 nut
		1256 7459 lockwasher			strap mounting block, use:
		1256 8036 washer	AC	1119 7159	1634 8195 cable strap
L	2225 2704	I/O panel cover (top), use:			nylon standoff, use:
		2300 4625 screw			1256 1460 screw
		1256 7467 lockwasher			1256 8051 washer
		1256 8051 washer	AD	2222 7490	1256 7467 lockwasher
M	2226 4477	retaining plate, use:	AE	1256 5453	bus bar insulator
		1256 1122 screw			nut, use:
		1256 7459 lockwasher			1256 7780 lockwasher
		1256 8036 washer	AF	1256 5495	1256 8135 washer
N	2225 5194	LH slide bracket			nut, use:
O	2222 0164	slide drawer			1256 7806 lockwasher
P	2225 3033	RH slide bracket	AG	— —	1256 8176 washer
Q	2225 2555	I/O hinge bracket			refer to BOOSTER POWER SUPPLY
R	2225 2688	I/O mounting bracket (bottom)	AH	— —	refer to PANELS
S	2225 2944	cover, use:			
		1256 1106 screw			
		1256 7459 lockwasher			
		1256 8036 washer			

MAINTENANCE PANEL ASSEMBLY (PLATE 4-4)

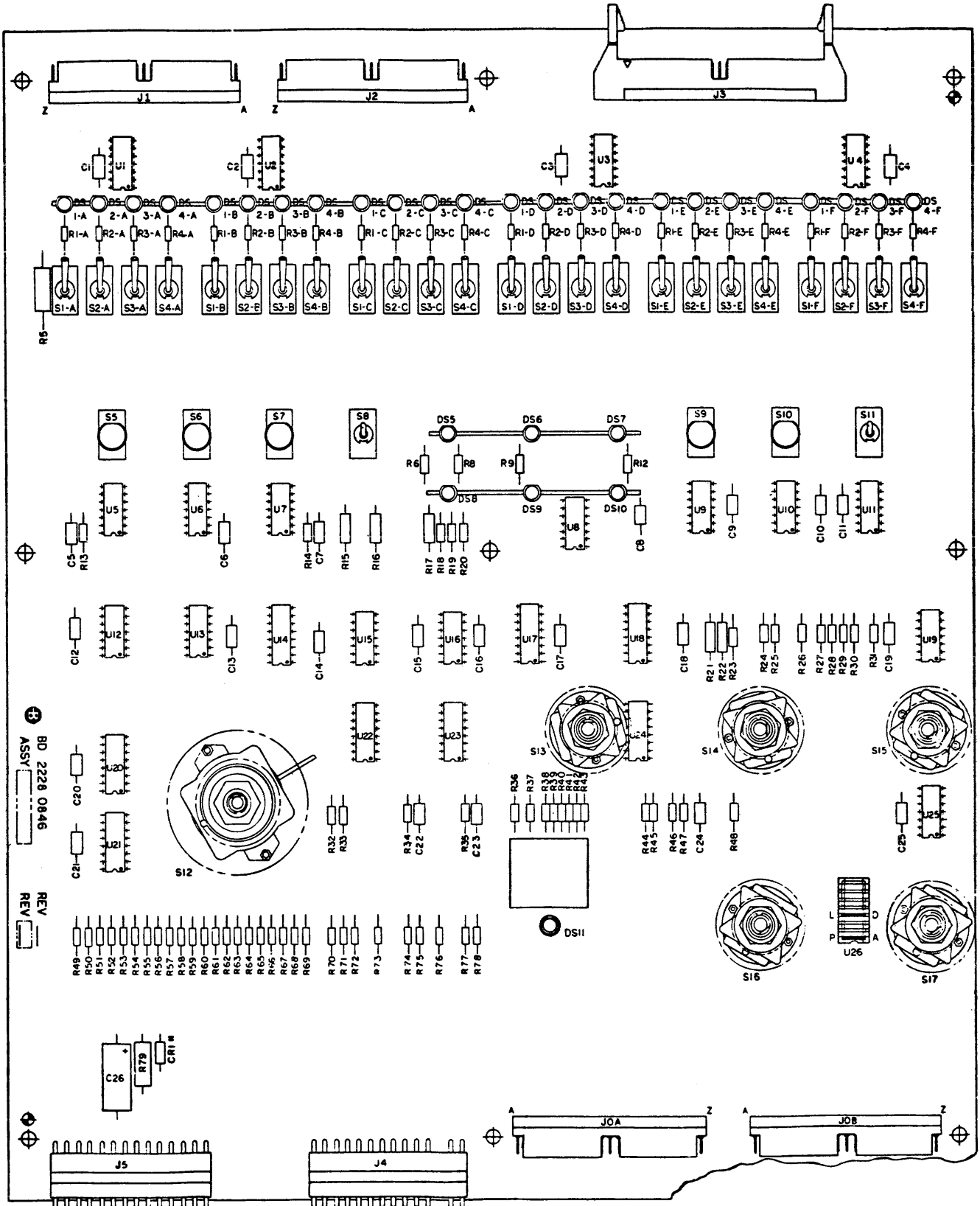


TC1137

PART NUMBERS (PLATE 4-4)

	2225 2878	complete maintenance panel assembly	I	2206 9439	connector (4 pin), use:
A	2225 2829	maintenance panel	J	2208 6243	cable clamp
B	— —	refer to CASSETTE TAPE PARTS CATALOG (form 1062296)	K	2225 2928	cable assembly
C	2225 8057	knob (5 places)	L	1103 5987	standoff, use:
D	2225 8040	knob			1256 5248 nut
E	1142 8984	screw, use:	M	2226 8445	1256 7426 lockwasher
		1256 7996 washer	N	2222 1931	1256 8010 washer
		1256 7426 lockwasher			cassette clamp
F	2226 3222	connector board			top hinge, use:
G	— —	refer to MAINTENANCE PANEL BOARD ASSEMBLY switch assembly, includes:	O	2208 5427	1256 5289 nut
		2212 4374 switch			1256 7467 lockwasher
		1534 7040 12V lamp	P	2222 1949	1256 8051 washer
					jumper, use:
					1256 7467 lockwasher
					1256 7749 washer
					1256 5289 nut
					bottom hinge

MAINTENANCE PANEL BOARD ASSEMBLY (PLATE 4-5)



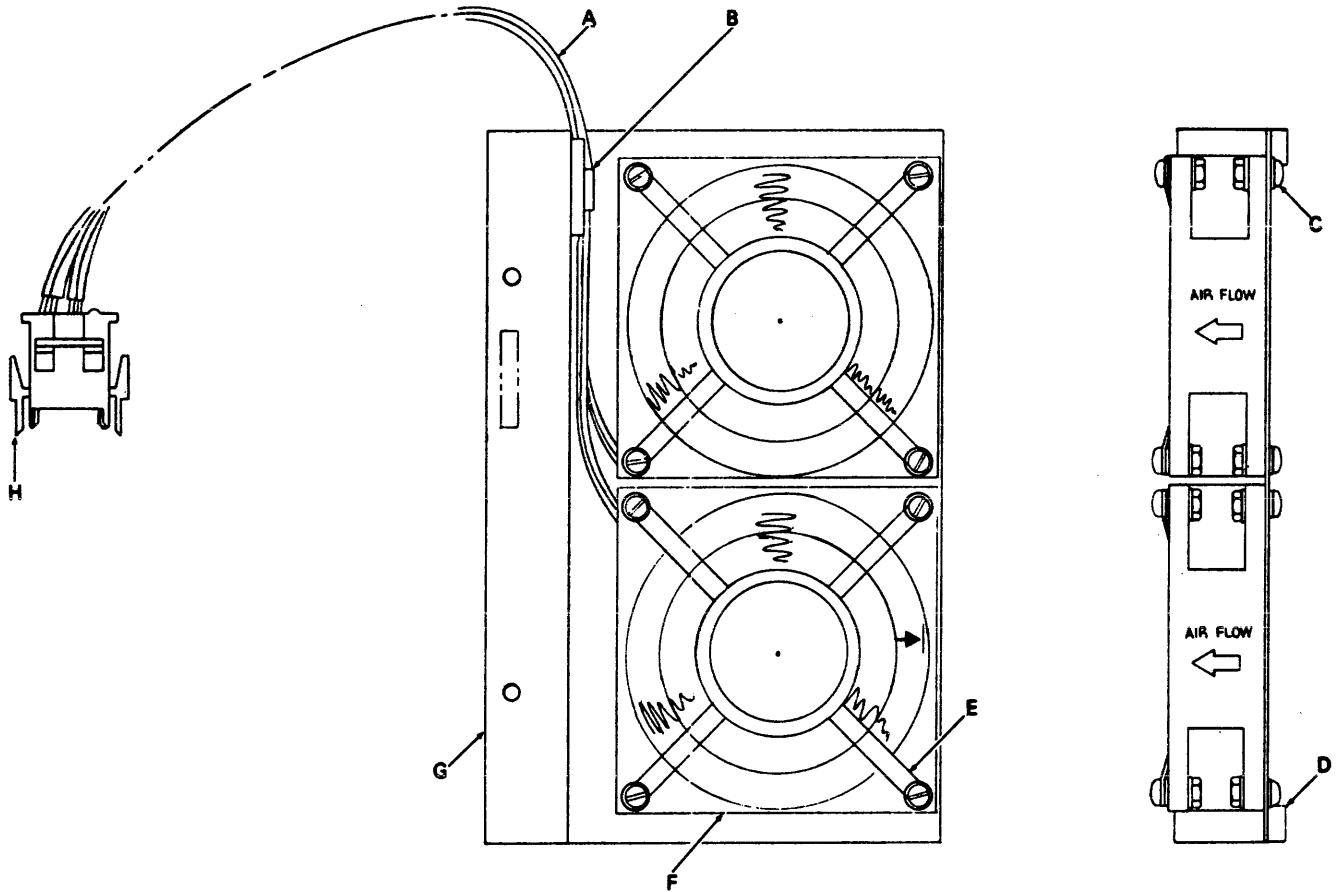
TC1107

PART NUMBERS ON NEXT PAGE

PART NUMBERS (PLATE 4-5)

2226 3339	complete maintenance panel board assembly		
<u>CAPACITORS</u>			
2300 5572	1000, pF	50 VDC	±20% C26
2300 5820	.1uF	50 VDC	±20% C1 thru C25
1267 9361	100uF	20 VDC	±20% C45
<u>DIODES</u>			
2212 4382	LED (red)		DS1-A thru DS4-F, DS5 thru DS11
1124 1023	type 23		CR1
<u>INTEGRATED CIRCUITS</u>			
1948 5051	BTSN - TTL		U14,U17,U22
1447 3581	B2CN - TTL		U11
1471 4356	IHCN - DTL		U1 thru U4, U7 thru U10,U25
1674 4963	1HDN - TTL		U15,U16
2602 2889	LD4N - TTL		U13
2224 5252	REGSEL - PROM		U23
2224 5286	REGUPHO - PROM		U21
2224 5229	REGUPLO - PROM		U20
1447 3797	S2-N - TTL		U18,U24
1479 0240	T2HN - TTL		U6,U19
1447 3557	T3AH - TTL		U5,U12
<u>RESISTORS</u>			
1269 0962	100 ohm	1W	1% R5
1111 8544	162 ohm	1/4W	2% R1-A thru R4-F, R8,R9,R12
1111 8585	237 ohm	1/4W	2% R33,R46,R47,R73,R74,R75
1266 9289	249 ohm	1/4	1% R44
1111 8619	316 ohm	1/4	2% R23,R48
1111 8668	511 ohm	1/4	2% R13,R14,R20, R26,R69,R70, R72,R76
1268 8297	549 ohm	1/2W	1% R15,R16,R17, R21,R22
1111 8734	1K	1/4W	2% R32,R36, thru R43, R49,R51 thru R68, R71,R77,R78
1269 1978	1.13K	1W	1% R79
1111 8908	5.11K	1/4W	2% R6,R18, R19,R24,R25, R27 thru R31, R34,R35,R50
<u>SWITCHES</u>			
2222 0255	push button		S5,S6,S7,S9,S10
2222 0222	rotary (2 position)		S15,S16,S17
2222 0214	rotary (4 position)		S14
2222 0206	rotary (7 position)		S13
2222 0198	rotary (16 position)		S12
2222 0230	toggle (long)		S1-A thru S4-F
2222 0248	toggle (short)		S8, S11
<u>MISCELLANEOUS</u>			
2221 9877	connector		J3
2222 0305	connector (14 pin)		J4,J5
2226 8247	connector (50 pin)		J1,J2,JOA,JOB
2208 9742	socket (16 pin)		J26

FAN ASSEMBLY (PLATE 4-6)

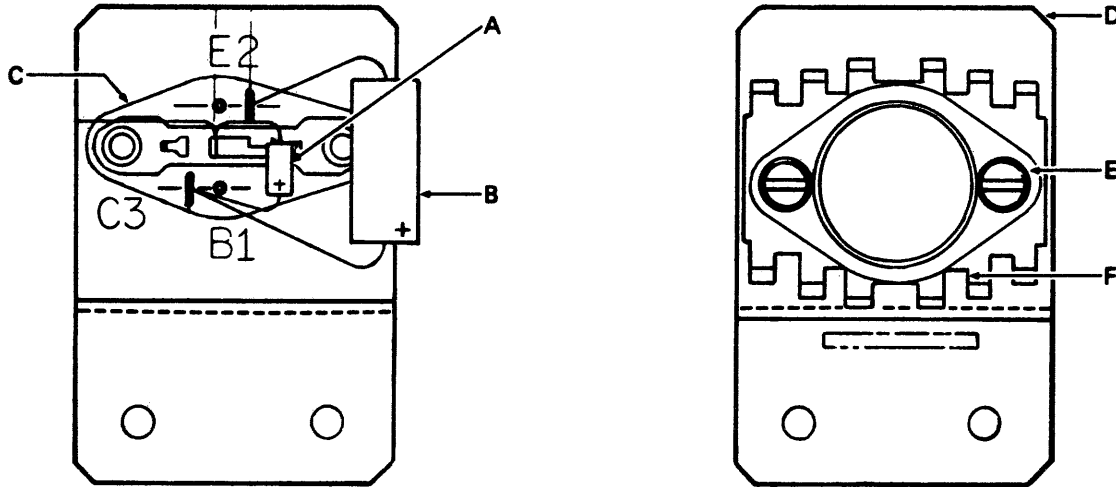


TC1136

PART NUMBERS (PLATE 4-6)

	2226 7009	complete fan assembly
A	1635 2361	cord assembly
B	1920 2209	strap mounting block, use: 1634 8195 cable tie
C	1256 0900	screw, use: 1256 8010 washer 1256 7442 lockwasher 1256 5248 nut
D	2219 1969	foam tape (1 ft. .3048m)
E	1635 2353	fan guard
F	2212 3475	fan (50/60 Hz)
G	2226 6969	bracket
H	2206 9439	connector (4 pin), use: 2206 9546 pin

DDEC VOLTAGE REGULATOR ASSEMBLY (PLATE 4-7)



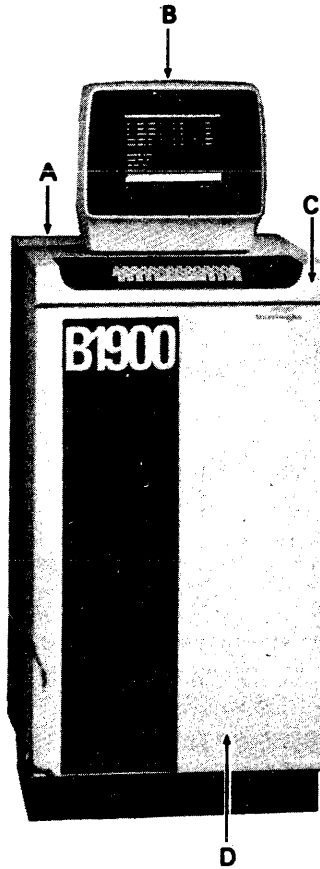
TC1135

PART NUMBERS (PLATE 4-7)

		complete voltage regulator assembly
	2226 3008	B1985/55/15
	2228 4392	B1905
A	1101 5153	capacitor (.33uF, 35 VDC, ±5%)
B	1267 9361	capacitor (100uF, 20 VDC, ±20%)
C	2206 0495	transistor socket
D	2228 2867	mounting bracket, use: 1256 0868 screw 1256 7442 lockwasher 1256 8010 washer
E	2222 0982	voltage regulator, use: 2300 6547 mica washer 2040 4273 screw 1196 7858 lockwasher
F	2041 8034	heat sink

SECTION 5
B 1905

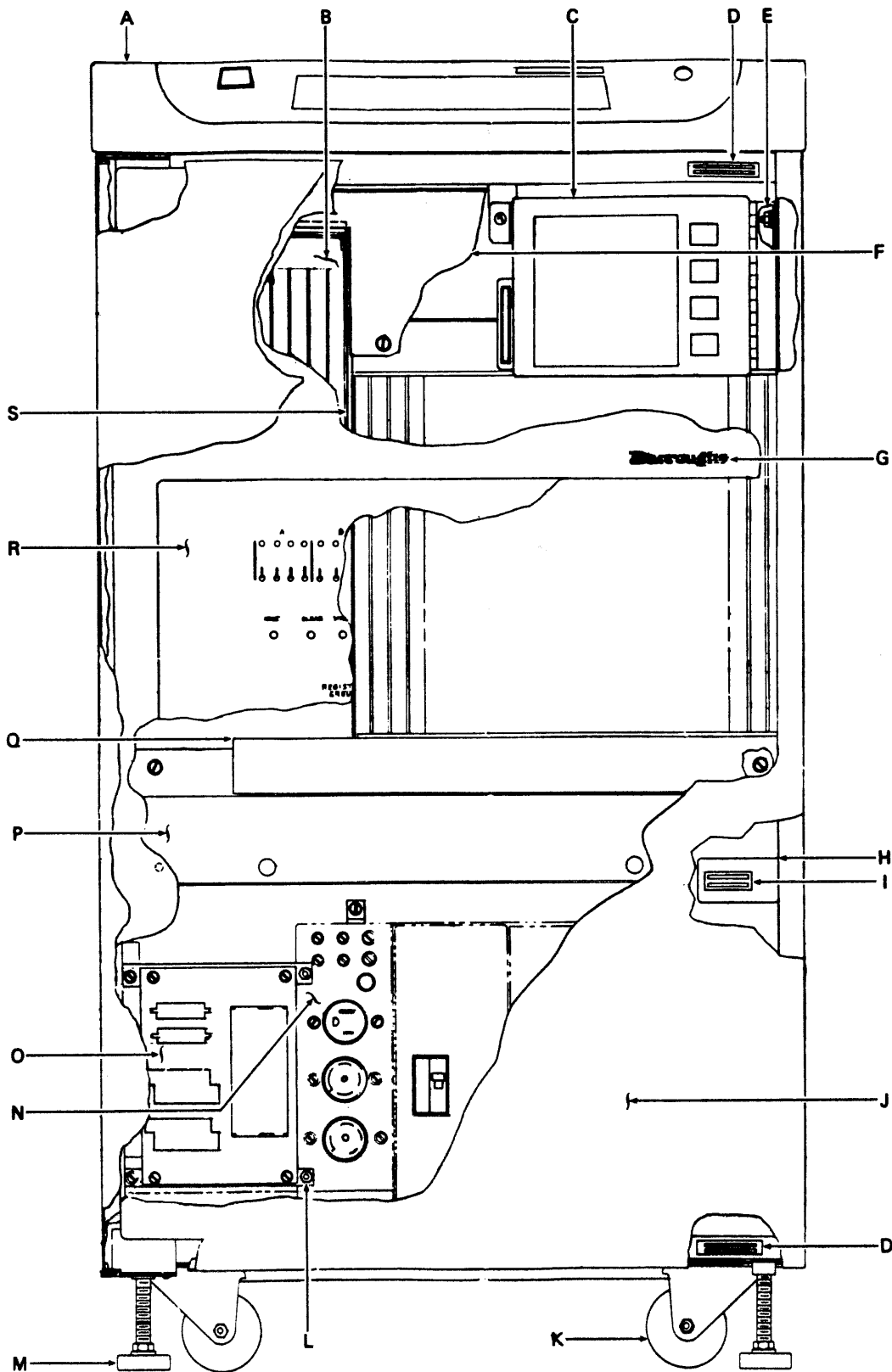
PANELS (PLATE 5-1)



PART NUMBERS (PLATE 5-1)

A	2226 3545	rear panel assembly, includes: 2226 3552 rear panel (gray 258) 2226 5649 clip 2006 7377 screw 1256 8036 washer 2219 1969 foam tape (11 ft., 3.3528m) 2228 6579 foam tape (2 ft., .6096m)
B	— —	refer to B9348-50 OPERATOR DISPLAY TERMINAL (form 1106093)
C	— —	refer to CONSOLE TOP ASSEMBLY
D	2226 8916	front door assembly, includes: 2226 8650 door (gray 258) 2226 8643 insert 2226 8817 handle 2228 2883 screw 1282 4215 decal "B1900" 1282 4934 decal "Burroughs"

PROCESSOR - FRONT VIEW (PLATE 5-2)



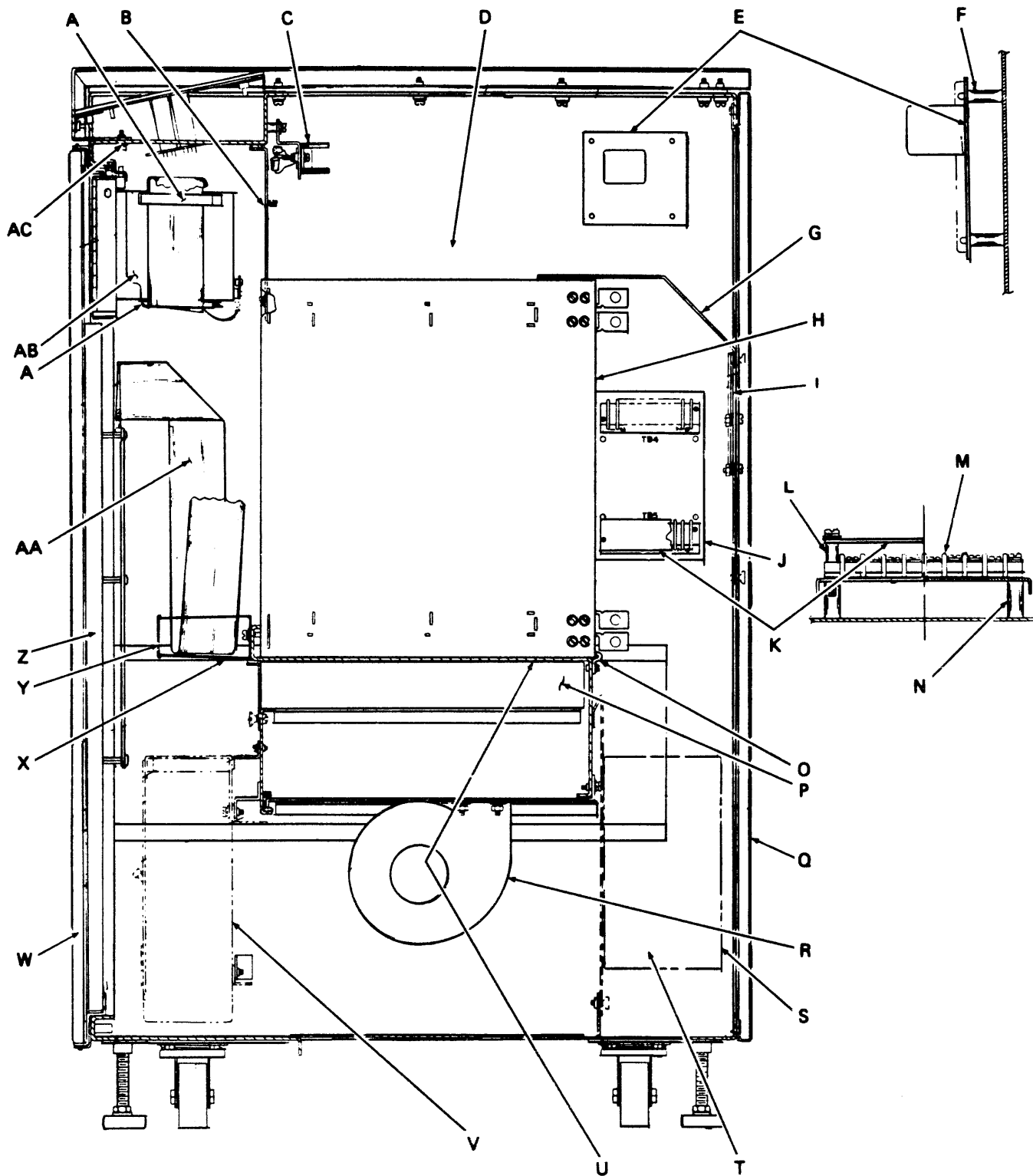
TC1106

PART NUMBERS ON NEXT PAGE

PART NUMBERS (PLATE 5-2)

A	— —	refer to CONSOLE TOP ASSEMBLY
B	2228 4400	DDEC kit-2 assembly, includes: 2228 4392 DDEC voltage regulator 2228 4103 cable (48 in., 1.2192m) 2228 4111 cable (53 in., 1.3462m) 1256 1528 screw #10 1256 8051 washer #10 1256 7467 lockwasher #10 1256 8036 washer #8 1256 7459 lockwasher #8 1256 5263 nut #8 1256 8010 washer #6 1256 7723 lockwasher #6 1256 0868 screw #6 1256 1106 screw #8
C	— —	refer to CASSETTE PANEL ASSEMBLY
D	2225 8974	magnetic latch
E	1256 5289	nut
F	2228 0820	baffle assembly
G	1257 4828	Burroughs logo, use: 1256 5925 spring nut
H	2226 8676	bracket, use: 1256 1460 screw 1256 8051 washer 1256 7467 lockwasher
I	2012 3121	magnetic catch
J	— —	refer to PANELS
K	2219 0755	swivel caster
L	1256 5263	nut, use: 1256 7459 lockwasher 1256 8036 washer
M	2225 8446	leg leveler
N	— —	refer to AC POWER DISTRIBUTION
O	2226 3925	I/O panel assembly
P	2226 6050	filter cover assembly
Q	2226 3644	cable tray cover
R	— —	refer to MAINTENANCE PANEL ASSEMBLY
S	2226 3602	card housing assembly, includes: 2226 3610 card housing weldment 2226 4451 card housing bus bar 2226 7017 insulator block 2207 6681 card guide 2226 9120 ground connector

PROCESSOR - SIDE VIEW (PLATE 5-3)



TC1114

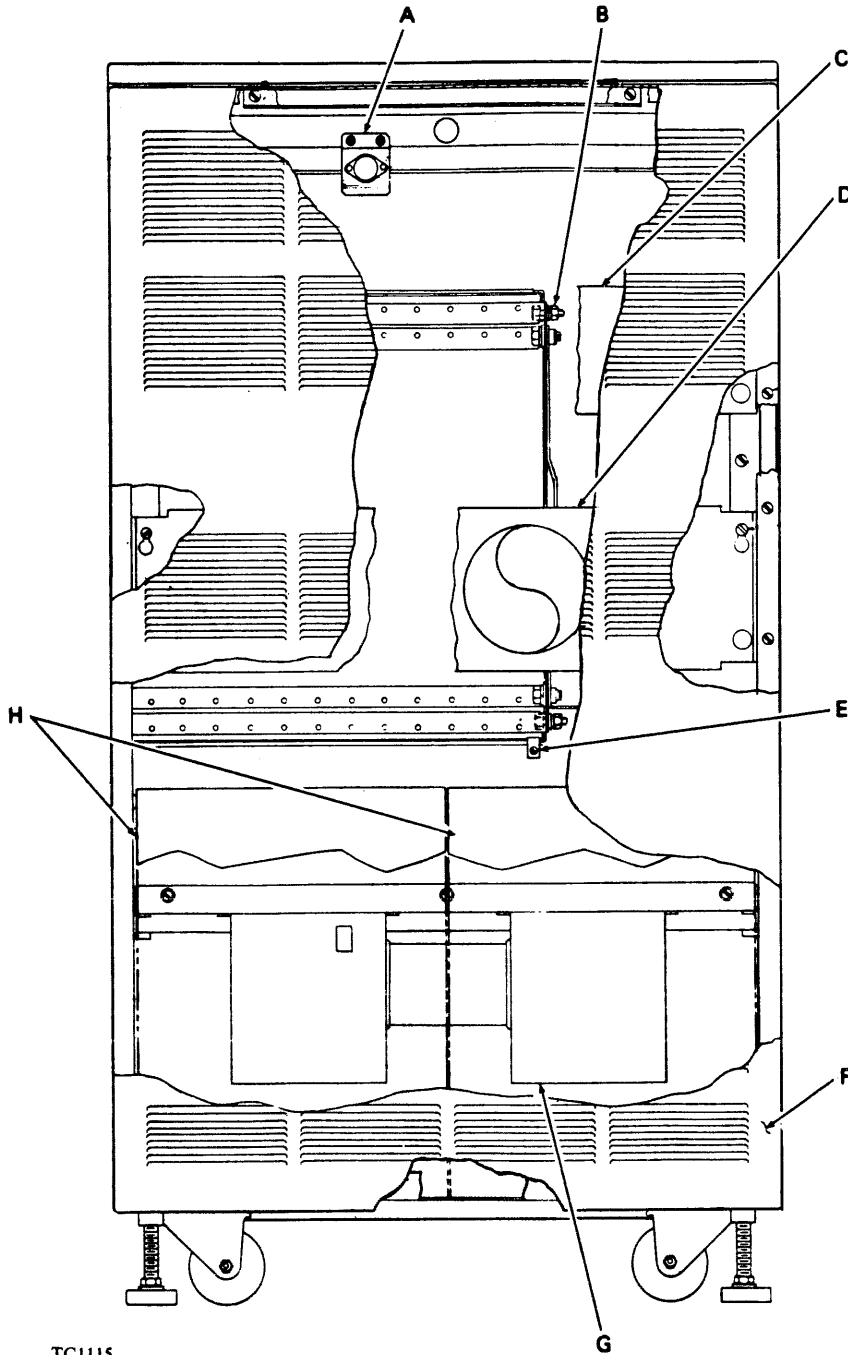
PART NUMBERS ON NEXT PAGE

PART NUMBERS (PLATE 5-3)

A	2212 3921	cable clamp
B	2228 0820	front baffle
C	— —	refer to DDEC VOLTAGE REGULATOR ASSEMBLY
D	— —	refer to DDEC PARTS CATALOG (not visible) (form 2011359), use: 2228 4400 DDEC kit assembly
E	— —	refer to P.O.C. BOARD ASSEMBLY
F	2225 8792	fastener
G	2228 0812	rear baffle
H	2226 3602	card housing
I	— —	refer to PANEL FAN ASSEMBLY
J	2228 4509	terminal mounting plate, use: 2225 8792 fastener
K	2007 5263	terminal block cover, use: 1256 1080 screw 1256 8036 washer 1256 7459 lockwasher
L	1920 3306	standoff
M	1102 7109	terminal block, use: 1256 1148 screw 1256 8036 washer 1256 7459 lockwasher
N	2225 8792	fastener
O	2228 4863	clamp
P	2225 9188	filter
Q	— —	refer to PANELS
R	2228 2354	blower 50/60 Hz, use: 2225 9188 air filter
S	2226 7918	1A +5 VDC power supply
T	2226 7926	1A-2 VDC power supply (not visible in illustration) includes: 2228 0804 mounting plate, includes: 2011 2348 fastener 2011 2306 nylon grommet 2212 4788 spacer
U	— —	refer to CONTACTOR SWITCH ASSEMBLY (not visible)
V	— —	refer to AC POWER DISTRIBUTION
W	— —	refer to PANELS
X	2226 3636	cable tray
Y	2226 3644	cable tray cover
Z	— —	refer to MAINTENANCE PANEL ASSEMBLY
AA	2226 9112	cable
AB	— —	refer to CASSETTE PANEL ASSEMBLY
AC	— —	refer to CONSOLE TOP ASSEMBLY, use: 1256 1106 screw 1256 8036 washer 1256 7459 lockwasher

*other individual components not available separately for this unit.

PROCESSOR - REAR VIEW (PLATE 5-4)

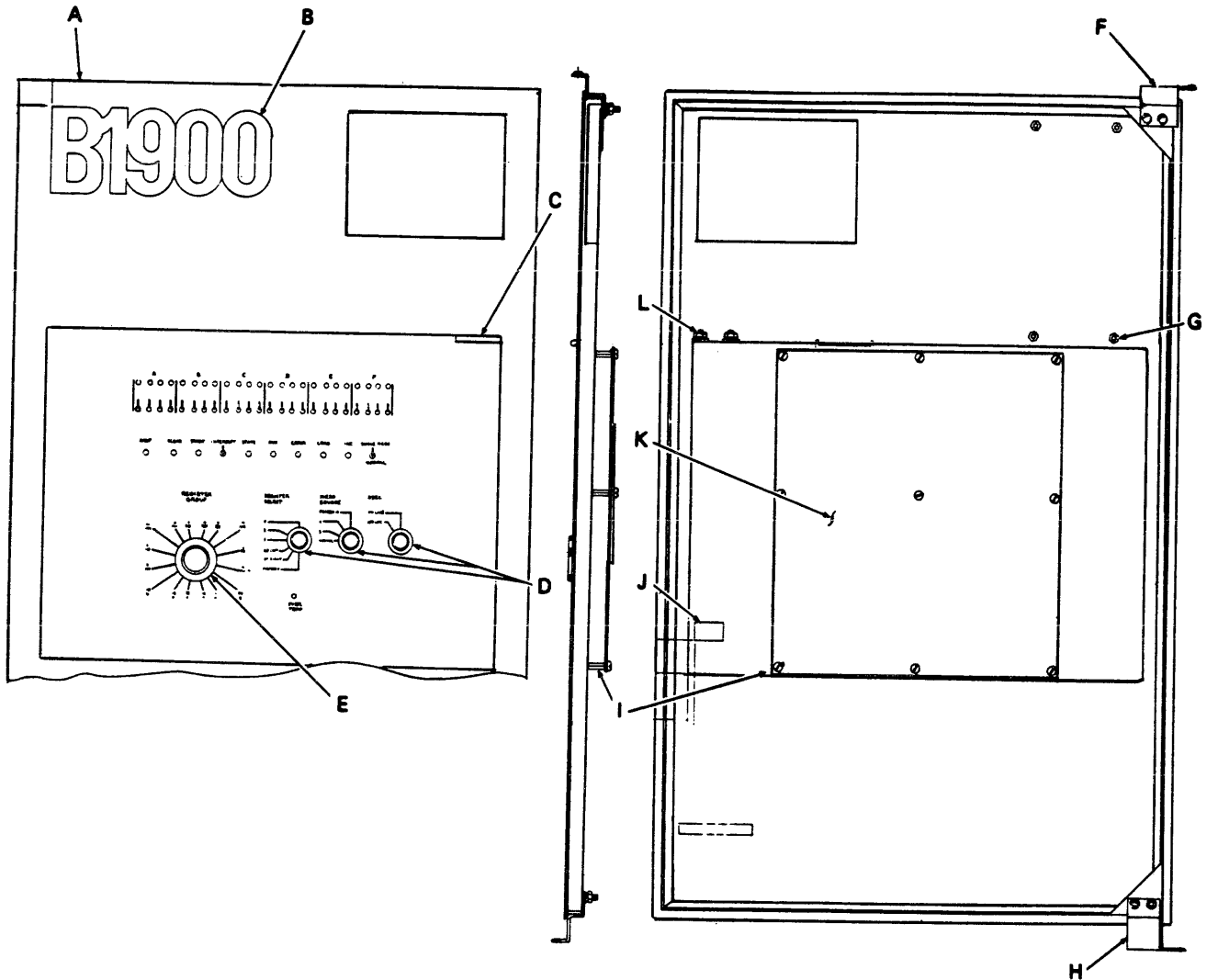


TC1115

PART NUMBERS (PLATE 5-4)

A	— — —	refer to DDEC VOLTAGE REGULATOR ASSEMBLY	D	— — —	refer to PANELS FAN ASSEMBLY
B	2226 3602	card housing assembly, includes: 2226 4451 bus bar, use: 1256 6451 screw 1115 2485 spring washer 1256 8135 washer 1256 5446 nut	E	2228 4863	clamp, use: 1256 1106 screw 1256 7459 lockwasher 1256 8036 washer
C	2228 0812	rear baffle assembly	E	— — —	refer to PANELS
			G	2228 2354	blower assembly (50/60 Hz)
			H	2228 0804	power supply mounting plate

MAINTENANCE PANEL ASSEMBLY (PLATE 5-5)

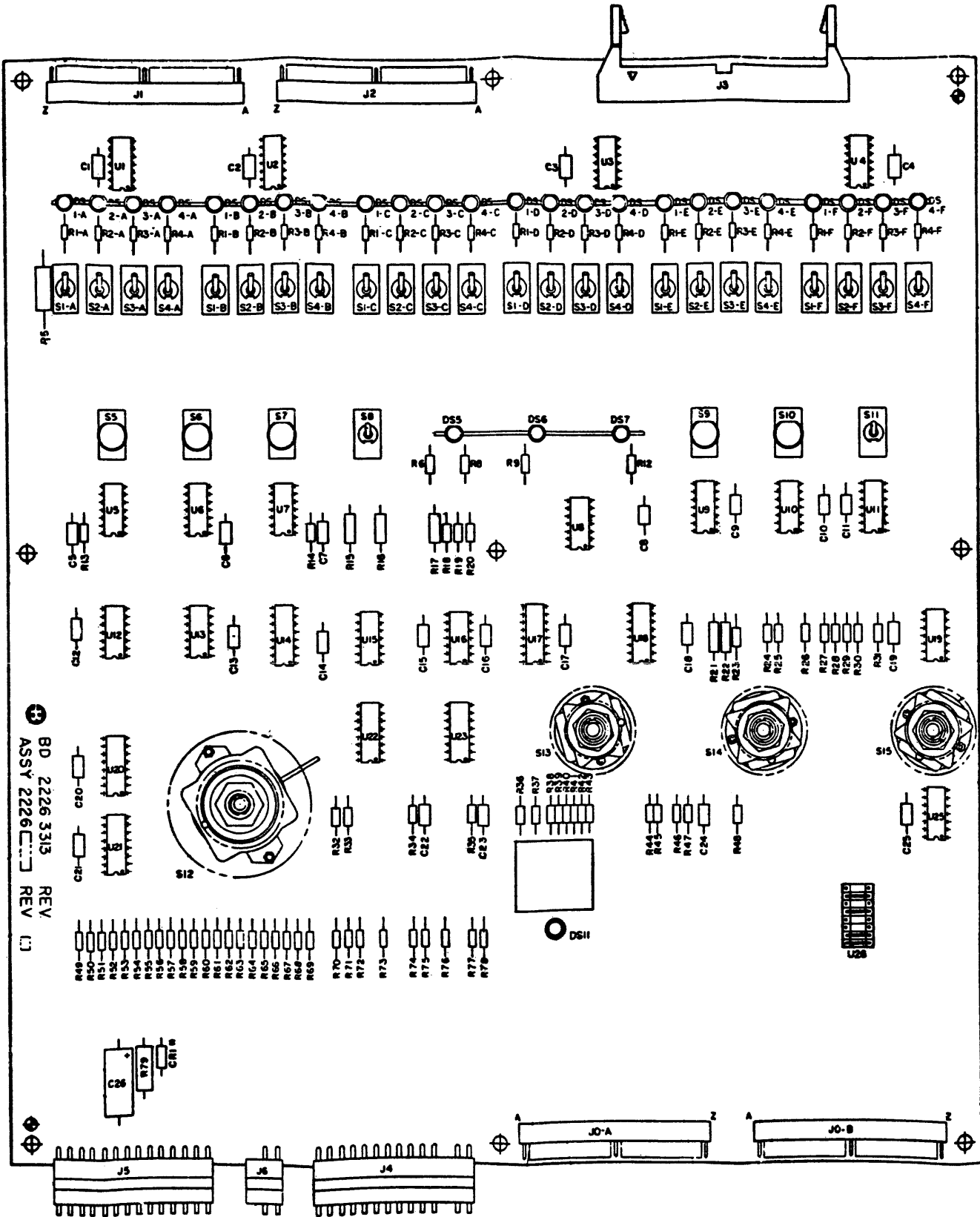


TC1116

PART NUMBERS (PLATE 5-5)

	2226 3719	complete maintenance panel assembly	I	1734 0803	screw, use:
A	2226 8668	maintenance panel	J	2205 9877	2006 6916 standoff
B	1282 4231	B1900 maintenance decal	K	— —	strike
C	2226 3677	handle			refer to MAINTENANCE PANEL BOARD
D	2225 8057	knob			ASSEMBLY
E	2225 8040	knob	L	1255 5256	screw, use:
F	2226 8700	top hinge, use:			1256 8036 washer
		1256 7459 lockwasher			1256 7731 lockwasher
		1256 8036 washer			1256 5263 nut
		1256 5263 nut			
G	2157 0395	standoff			
H	2226 8718	bottom hinge, use:			
		1256 7459 lockwasher			
		1256 8036 washer			
		1256 5263 nut			

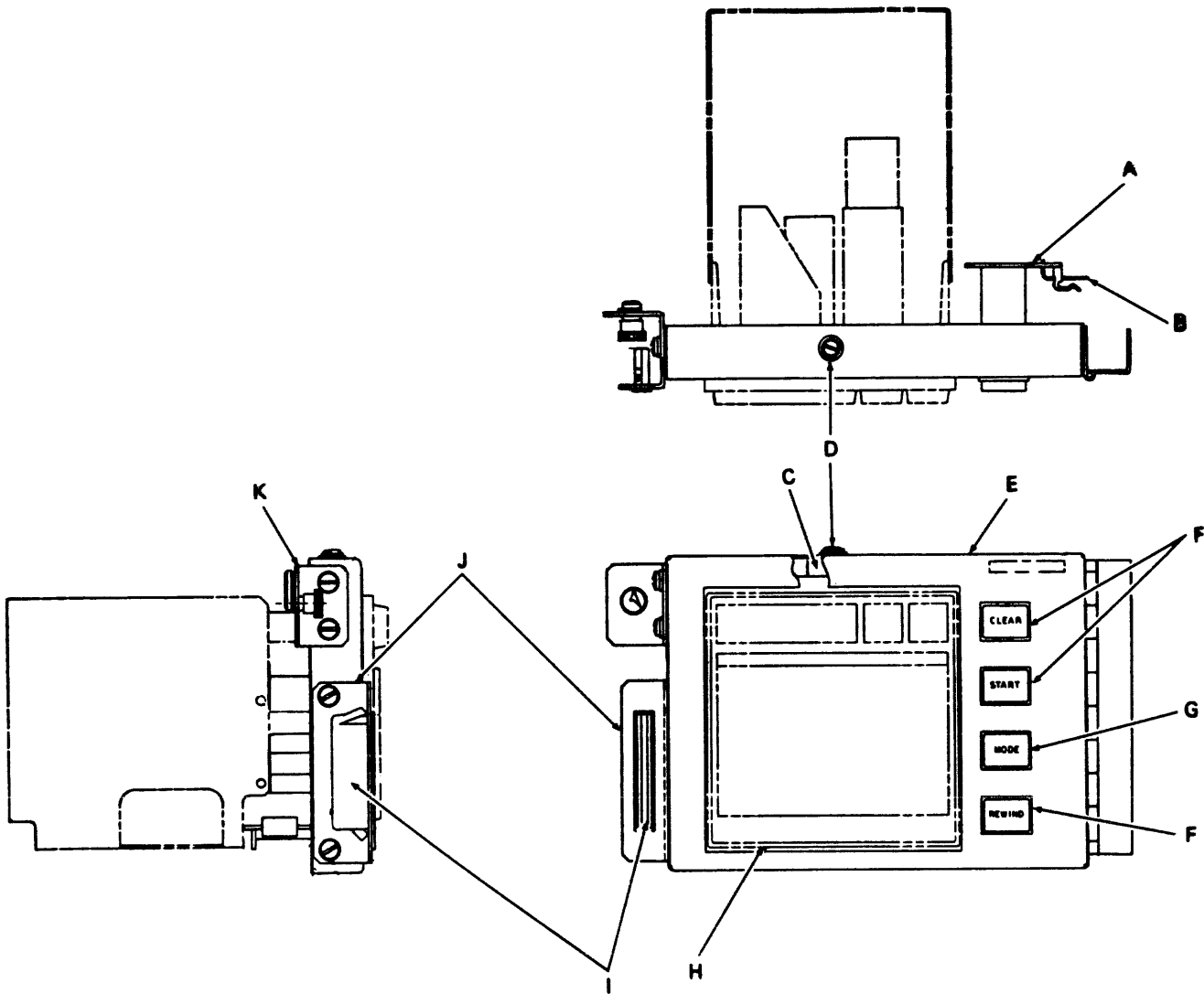
MAINTENANCE PANEL BOARD ASSEMBLY (PLATE 5-6)



PART NUMBERS (PLATE 5-6)

2226 3743	complete maintenance panel board assembly		
<u>CAPACITORS</u>			
2300 5820	.1uF	50 VDC	±20% C1 thru C25
1267 9361	100uF	20 VDC	±20% C26
<u>DIODES</u>			
2212 4382	LED (red)		DS1-A thru DS4-F, DS5 thru DS11
1124 1023	type 23		CR1
<u>INTEGRATED CIRCUITS</u>			
1948 5051	BTSN - TTL		U14,U17,U22
1447 3581	B2CN - TTL		U11
1471 4356	1HCN - DTL		U1 thru U4, U7 thru U10, U25
1674 4963	1HDN - TTL		U15,U16
2602 2889	LD4N - TTL		U13
2224 5252	REGSEL - PROM		U23
2224 5286	REGUPHO PROM		U21
2224 5229	REGUPLO PROM		U20
1447 3797	S2-N TTL		U18
1479 0240	T2HN TTL		U6,U19
1447 3557	T3AH TTL		U5,U12
<u>RESISTORS</u>			
1269 0962	100 ohm	1W	1% R5
1111 8544	162 ohm	1/4W	2% R1-A thru R4-F, R8,R9,R12
1111 8585	237 ohm	1/4W	2% R33,R46,R47, R73,R74,R75
1266 9289	249 ohm	1/4W	1% R44
1111 8619	316 ohm	1/4W	2% R23
1111 8668	511 ohm	1/4W	2% R13,R14,R20, R26,R69,R70, R72,R76
1268 8297	549 ohm	1/2W	1% R15,R16,R17, R21,R22
1111 8734	1K	1/4W	2% R32, R36 thru R43, R45, R49, R51 thru R68, R71,R77,R78
1269 1978	1.13K	1W	1% R79
1111 8908	5.11K	1/4W	2% R6,R18,R19, R24,R25, R27 thru R31, R34,R35,R48,R50
<u>SWITCHES</u>			
2222 0255	pushbutton		S5,S6,S7,S9,S10
2222 0222	rotary (2 position)		S15
2222 0214	rotary (4 position)		S14
2222 0206	rotary (7 position)		S13
2222 0198	rotary (16 position)		S12
2222 0230	toggle (long)		S1-A thru S4-F
2222 0248	toggle (short)		S8, S11
<u>MISCELLANEOUS</u>			
2221 9877	connector		J3
2222 0313	connector (3 pin)		J6
2222 0305	connector (14 pin)		J4,J5
2226 8247	connector (50 pin)		J1,J2, J0A,J0B
2208 9742	socket (16 pin)		J26

CASSETTE PANEL ASSEMBLY (PLATE 5-7)

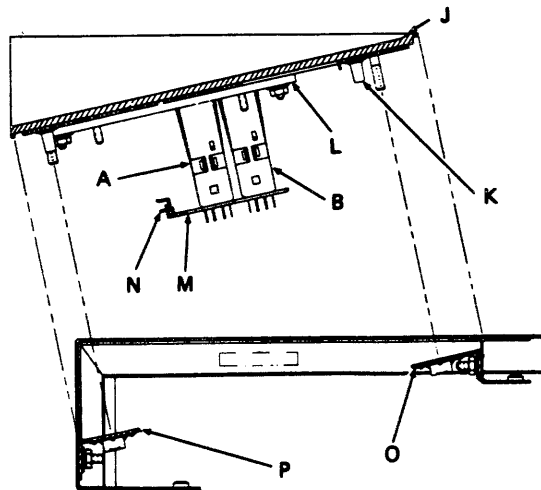
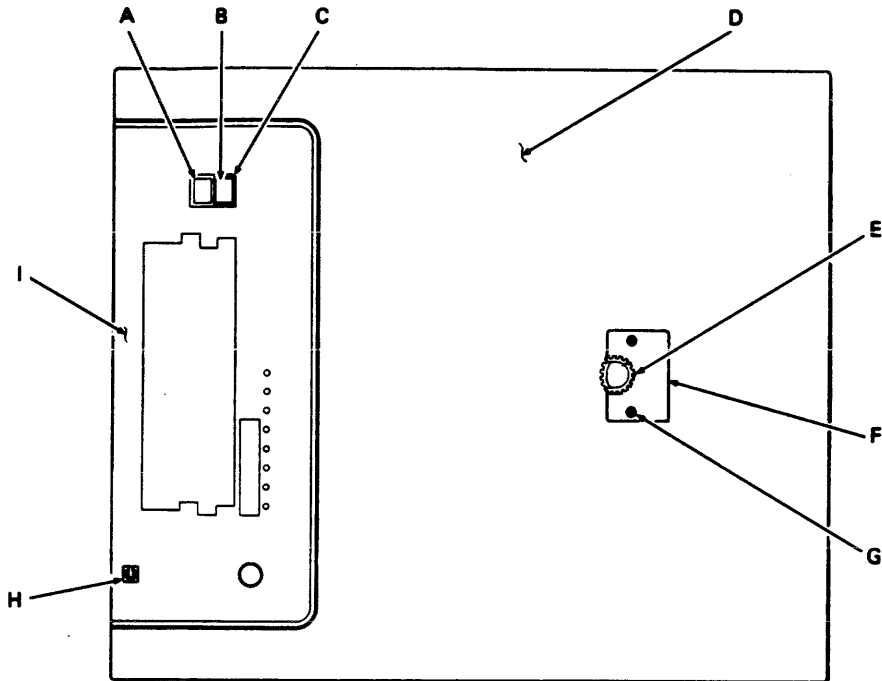


TC1117

PART NUMBERS (PLATE 5-7)

A	2226 4014	complete cassette panel assembly	G	2225 7976	pushbutton alternating action switch, use:
B	2226 7264	panel switch board			2212 4465 lens "MODE"
C	2222 0305	right angle connector	H	— —	1534 7040 lamp (12V)
D	2226 6068	retainer	I	2225 8974	refer to CASSETTE TAPE PARTS
	1256 1460	screw, use:	J	2228 3006	CATALOG (form 1062296)
		1256 7467 lockwasher	K	2228 3162	magnet mounting bracket, use:
		1256 8051 washer			1256 1106 screw
E	2226 6472	cassette panel			1256 8036 washer
F	1973 6602	momentary pushbottom switch, use:			cass latch assembly, use:
		2212 4440 lens "CLEAR" (no lamp)			1256 1106 screw
		2212 4457 lens "START"			1256 8036 washer
		2212 4473 lens "REWIND"			
		1534 7040 lamp (12V)			

CONSOLE TOP ASSEMBLY (PLATE 5-8)

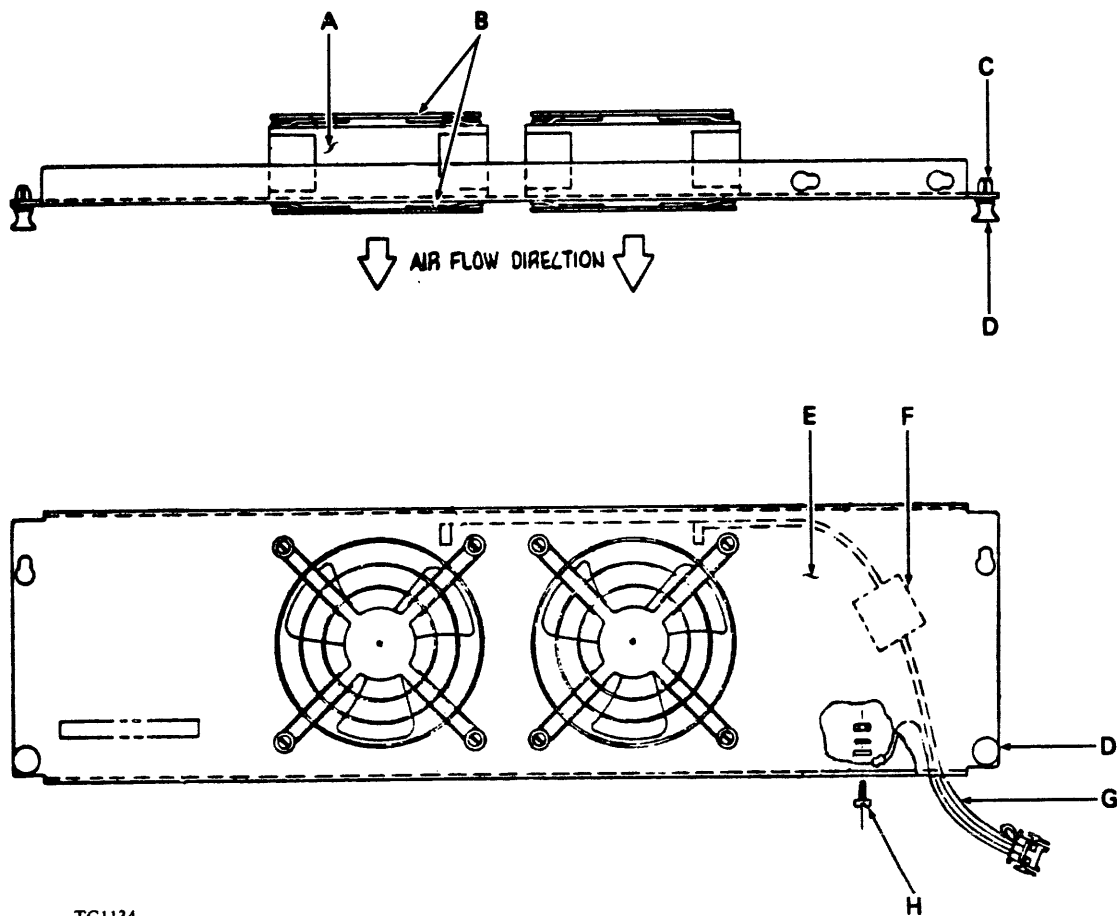


TC1118

PART NUMBERS (PLATE 5-8)

A	2226 3560	complete console top assembly	J	2226 3131	keyboard panel
	1973 6602	momentary pushbutton switch, use:	K	2225 7687	screw, use:
		2225 7950 lens			1196 7858 lockwasher
		1534 7040 lamp (12V)			1256 8028 washer
B	2225 7976	pushbutton alternating action switch, use:			2228 3949 clamp
		2225 7968 lens "POWER"	L	2226 3214	mounting strap, use:
		2157 0759 lamp (#387, 28V)			1256 8036 washer
C	2600 3327	switch guard			1256 7459 lockwasher
D	2226 3578	console top			1256 5263 nut
E	1110 0831	nylon grommet	M	2226 5946	power switch board
F	2224 9163	cover plate	N	2222 0321	right angle connector
G	1256 0348	screw, use:	O	2226 3198	mounting angle, use:
		1256 7996 washer			1256 8036 washer
		1256 7426 lockwasher			1257 4133 nut
H	1257 4760	medallion "B"	P	2226 3206	mounting angle, use:
I	2226 5912	keyboard panel assembly, includes:			1256 8036 washer
		A,B,C,H,J,K,L,M and N			1257 4133 nut

PANEL FAN ASSEMBLY (PLATE 5-9)

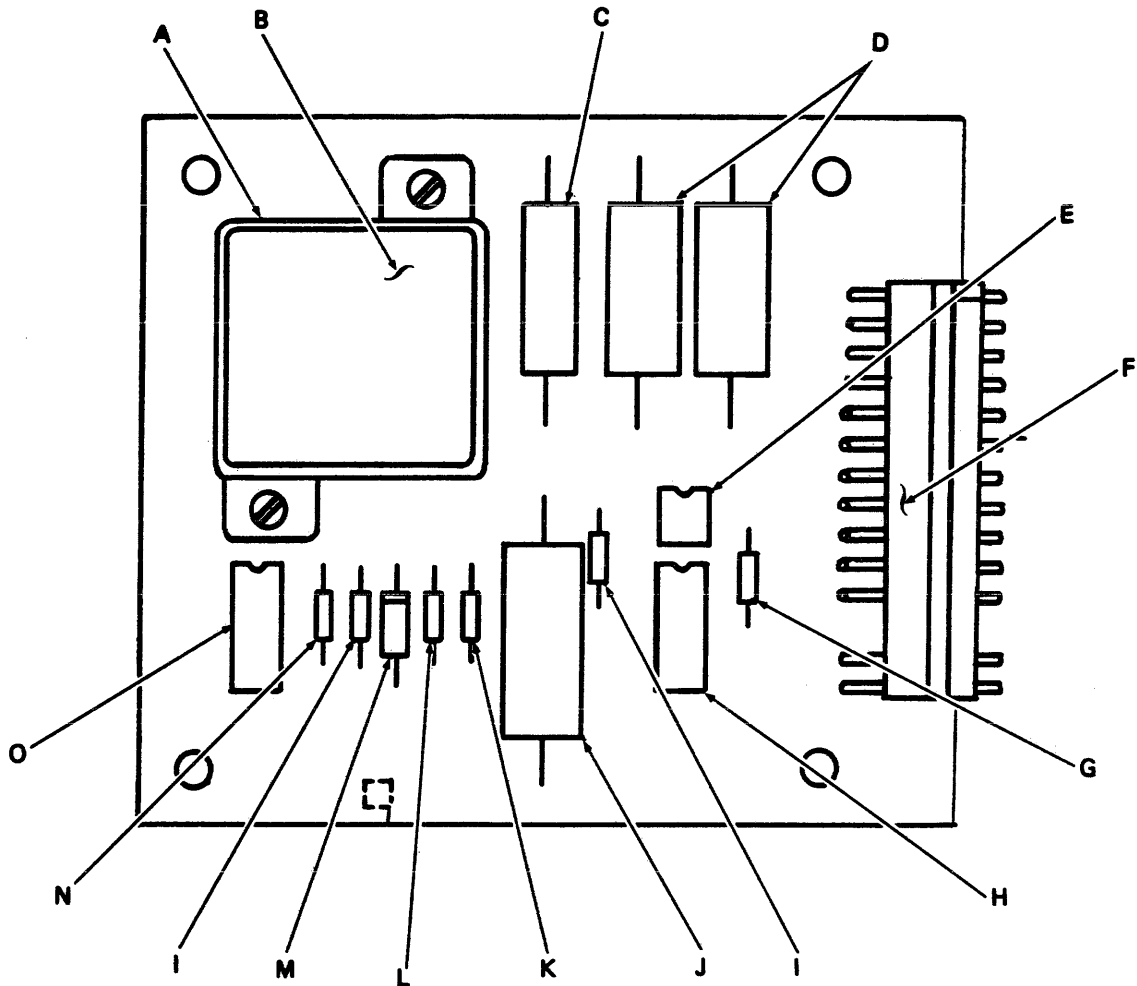


TC1134

PART NUMBERS (PLATE 5-9)

	2226 8346	complete panel fan assembly
A	2212 3475	fan (50/60 Hz)
B	1635 2353	fan guard, use:
		1256 0900 screw
		1256 8010 washer
		2219 1613 nut
C	2011 2272	grommet fastener
D	2011 2314	fastener
E	2226 3628	fan bracket
F	1920 2209	strap mounting block, use:
		1112 0607 cable tie
G	2228 3873	harness assembly, includes:
		1635 2361 cord assembly
		1112 0599 cable tie
		2206 9413 connector (9 pin), use:
		2206 9538 pin
H	1256 1106	screw, use:
		1256 8028 washer
		1256 7459 lockwasher
		1256 5263 nut

P.O.C. BOARD ASSEMBLY (PLATE 5-10)

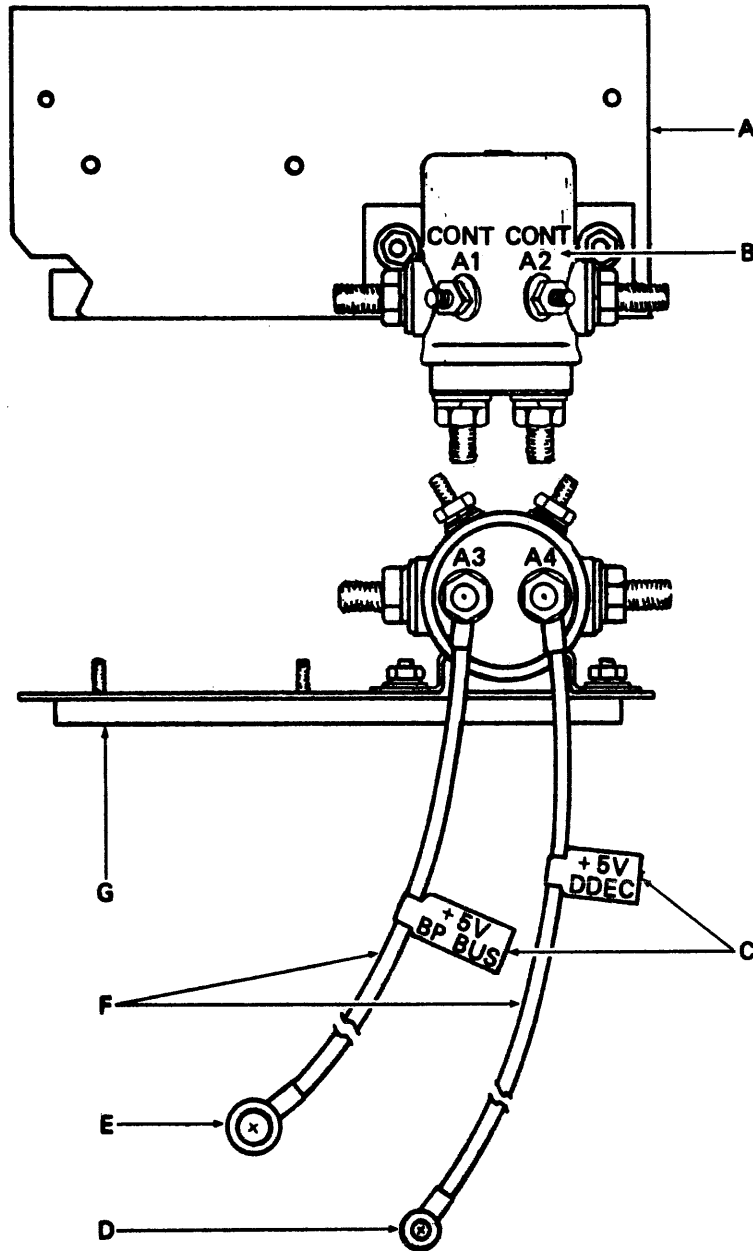


TC1119

PART NUMBERS (PLATE 5-10)

	2226 6001	complete board assembly
A	2212 4127	printed circuit relay receptacle
B	2206 9207	relay (24V), use: 1256 0371 screw 1256 7996 washer 1256 7426 lockwasher 1256 5206 nut
C	1265 8209	resistor (15 ohm, 2W, 5%)
D	2638 5088	capacitor (100uF, 25V)
E	2201 4260	optical isolator
F	2222 0305	connector
G	1111 8494	resistor (100 ohm, 1/4W, 2%)
H	1447 3557	IC (T3AM-3557, TTL)
I	1111 8734	resistor (1K, 1/4W, 2%)
J	1760 6377	capacitor (68uF, 20V)
K	1111 8973	resistor (10K, 1/4W, 2%)
L	1111 9070	resistor (26.1K, 1/4W, 2%)
M	1627 0175	diode (1N4148)
N	1111 8650	resistor (464 ohm, 1/4W, 2%)
O	1901 7102	IC (TAON-118, TTL)

CONTACTOR SWITCH ASSEMBLY (PLATE 5-11)

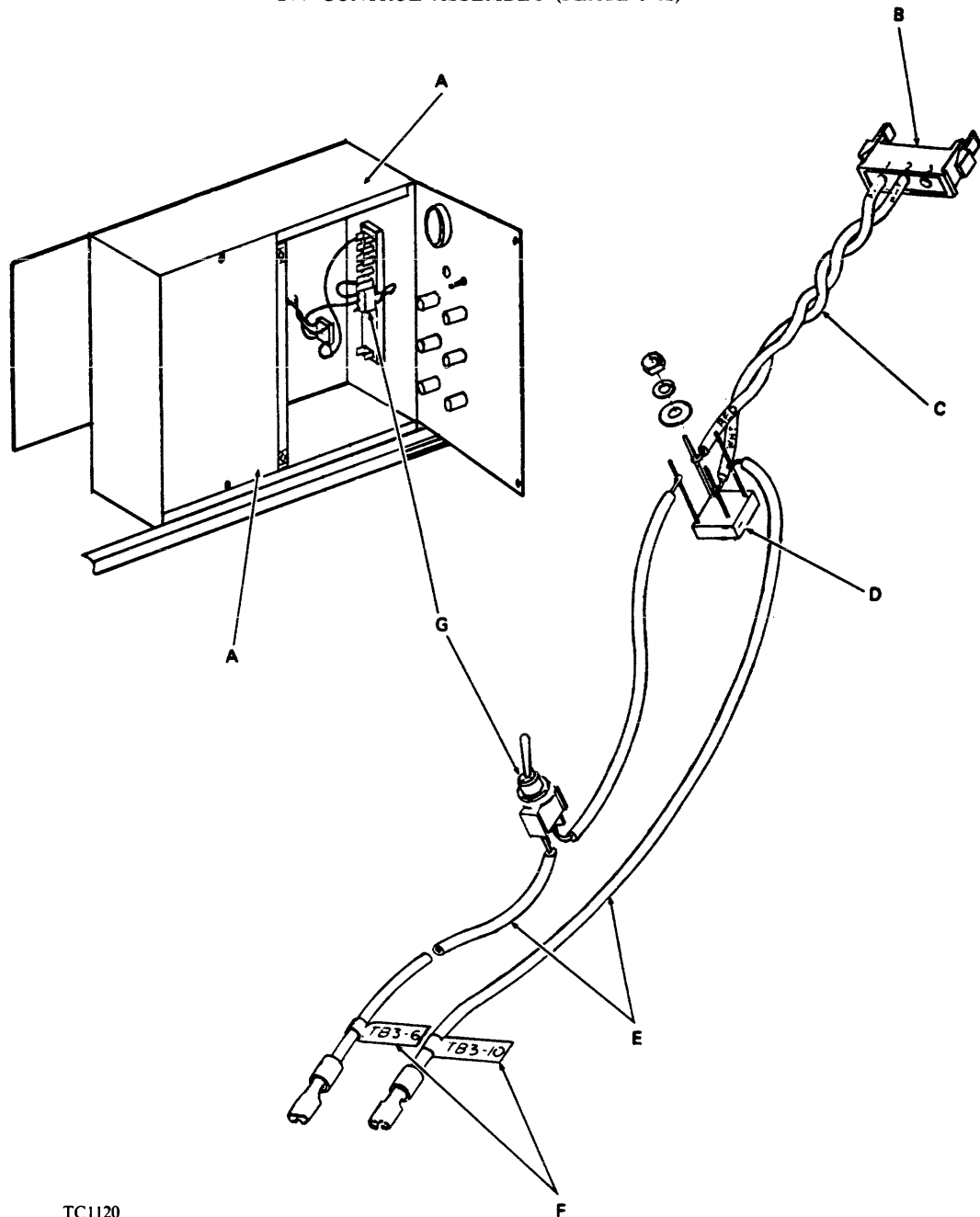


TC1104

PART NUMBERS (PLATE 5-11)

	2228 2529	complete contactor switch assembly
A	2228 2537	mounting block
B	2225 9121	contactor, use:
		1256 7459 lockwasher
		1256 8036 washer
		1256 5263 nut
C	2005 2973	cable tie
D	1102 4338	lug
E	1100 7374	lug
F	2206 8167	wire #10
G	2228 2701	foam tape (1 ft., .3048m)

24V CONTROL ASSEMBLY (PLATE 5-12)



TC1120

PART NUMBERS (PLATE 5-12)

	2228 2560	complete 24V control assembly
A	_____	refer to AC POWER DISTRIBUTION
B	2206 9397	connector plug, use: 2206 9546 pin
C	2314 2540	wire #20 twisted pair
D	2212 3392	bridge rectifier, use: 1256 7996 washer 1256 7426 lockwasher 1256 5206 nut
E	2206 8712	wire #20
F	2005 2973	cable tie
G	2201 7768	toggle switch