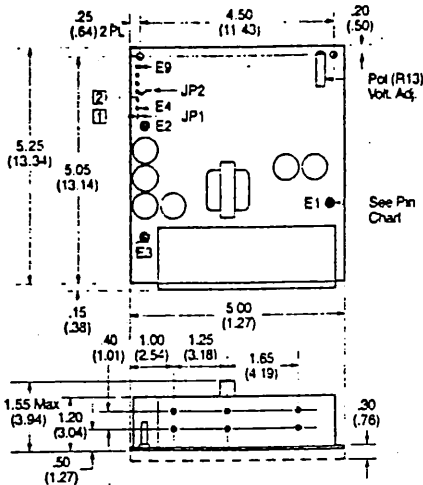


# MECHANICAL SPECIFICATIONS

Note: Dimensions are in inches and (cm.).

## 3T12AP, 3T20AP

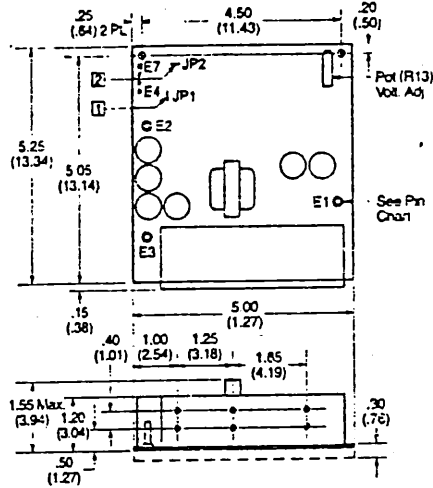


### PIN CHART

E1 + INPUT	3
E2 + OUTPUT	3
E3 RETURN	3
E4 - REMOTE SENSE	1
E5 + REMOTE SENSE	
E6 POS SYNC OUT	4
F7 NEG SYNC OUT	4
E8 SYNC IN	2
E9 INHIBIT (REMOTE ON/OFF)	

- 1 Remove JP1 for remote sense.
- 2 Remove JP2 to synchronize to another 3T12AP or 3T20AP.
- 3 Terminals are 8-32 studs, 8 to 12 in-lbs torque required.
- 4 E6 output is used as clock to synch other 3T12AP's or 3T20AP's to a single 3T12AP or 3T20AP. E7 is used to synch 3T5AN's to a single 3T12AP or 3T20AP.

## 3T5AN



### PIN CHART

E1 + INPUT	3
E2 - OUTPUT	3
E3 RETURN	3
E4 + REMOTE SENSE	1
E5 - REMOTE SENSE	
E6 INHIBIT	
E7 SYNC IN	2

- 1 Remove JP1 for remote sense.
- 2 Remove JP2 to synchronize 3T5AN to 3T12AP or 3T20AP.
- 3 Terminals are 8-32 studs, 8 to 12 in-lbs torque required.

## BOSCHERT WARRANTY

### 90 DAY WARRANTY

BOSCHERT INCORPORATED warrants power supplies manufactured by it to be free from defects in material and workmanship.

BOSCHERT INCORPORATED will repair or replace any such product which is returned to BOSCHERT INCORPORATED with transportation charges prepaid within ONE YEAR from the original date of invoice from BOSCHERT INCORPORATED or an

authorized BOSCHERT distributor where BOSCHERT INCORPORATED examination discloses a defect in material or workmanship and no misuse, improper operation, unauthorized repair or modifications of the power supply are in evidence.

THIS WARRANTY IS IN LIEU OF ALL OTHER WARRANTIES, EXPRESS, IMPLIED, OR STATUTORY, INCLUDING THE WARRANTY OF

MERCHANTABILITY AND THE WARRANTY OF FITNESS OR SUITABILITY FOR A PARTICULAR PURPOSE.

In no event will BOSCHERT INCORPORATED be liable for special, incidental or consequential damages.

This is the entire extent of BOSCHERT INCORPORATED liability for a defective or inoperative power supply.

Boschert Incorporated  
384 Santa Trinita Avenue  
Sunnyvale, California 94086  
408/732-2440 TWX 910-339-9241



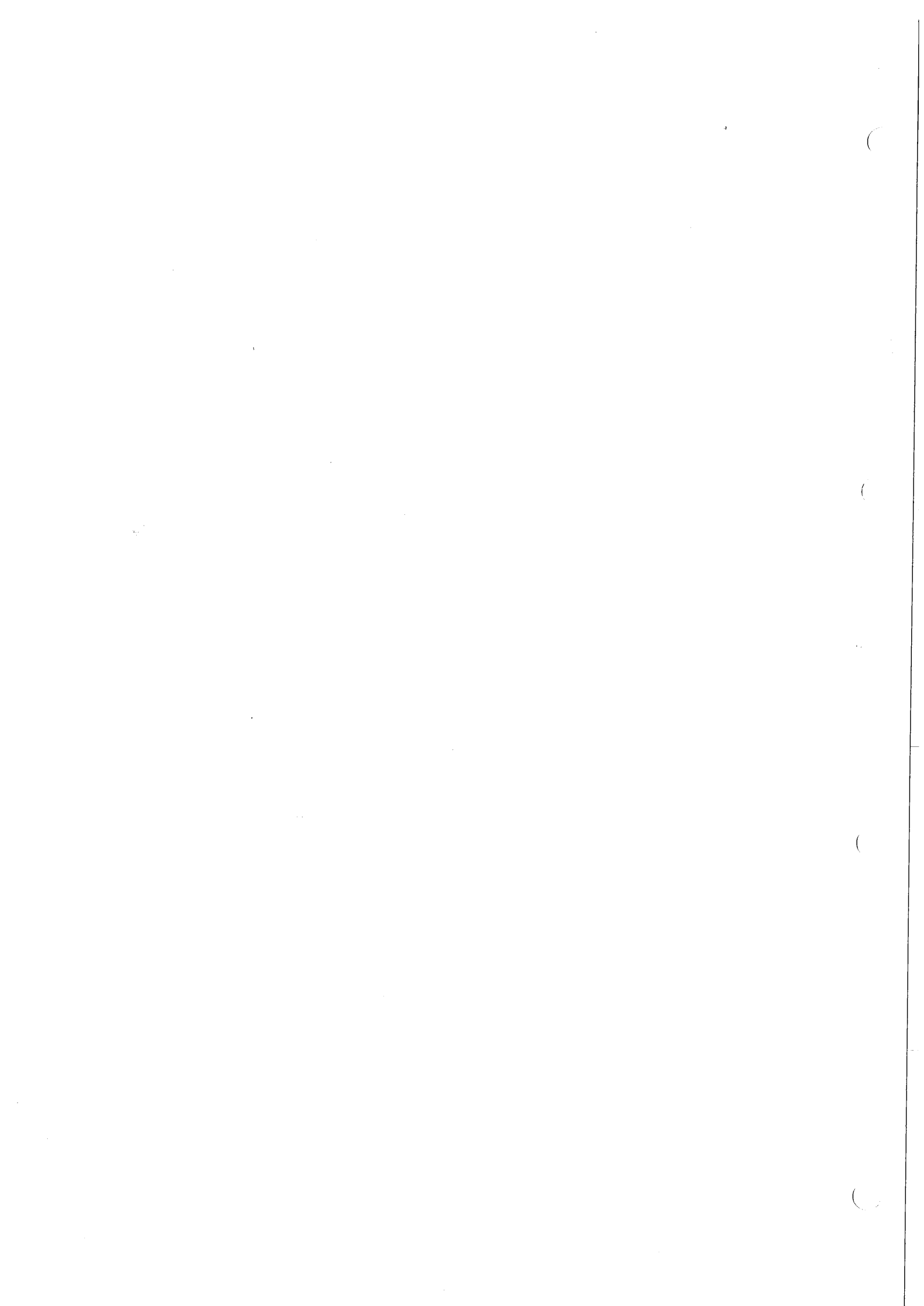
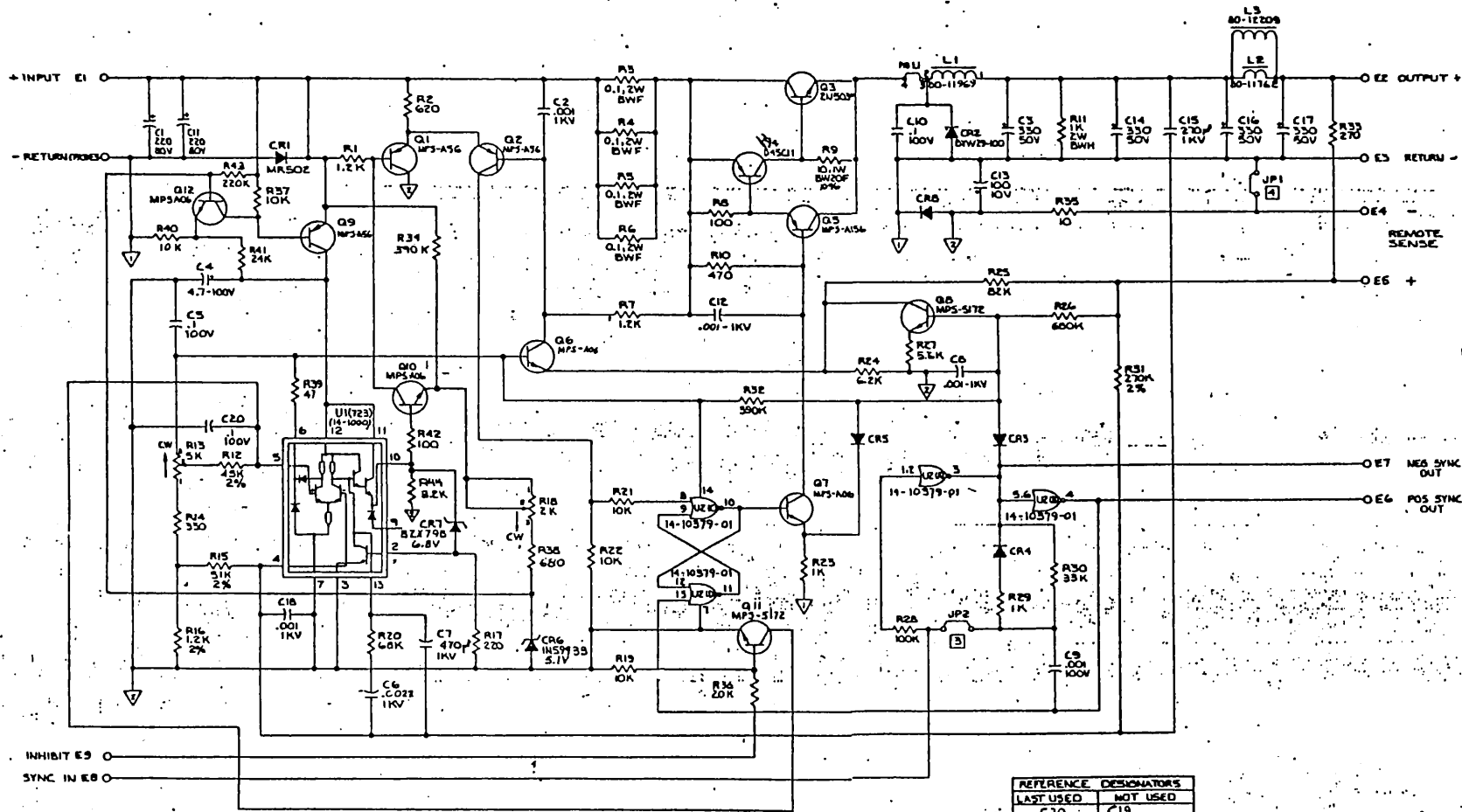


FIG. 2



SCHEMATIC

REV	DESCRIPTION	ECO	DATE	APPROVED
1	PRE-REL TO PROD.		4-23-61	W. P. ROBE
2	PROTO-TYPE Add'd C20		8/14/61	W. P. ROBE
3	PRE RELEASE		1/10/61	W. P. ROBE
A	REL TO PROD		1-1-61	W. P. ROBE
B	INLDRP. No Remarks 2-1-61	7824	2-4-61	W. P. ROBE
C	INLDRP	9780	8/1/61	W. P. ROBE

1. REMOVE JP1 FOR REMOTE SENSE.
  2. REMOVE JP2 ON SLAVE.
1. CAPACITORS ARE IN MICROFARADS. VOLTAGE RATINGS ARE IN D.C. RESISTORS ARE IN OHMS, 1/4 WATT, C.F. DIODES ARE IN4148

NOTES: UNLESS OTHERWISE SPECIFIED

REFERENCE DESIGNATOR	LAST USED	NOT USED
C20		C19
CRB		
E9		
JP2		
L3		
Q12		
R44		
UZ		

All drawings created for the BOSHART power supply are the property of BOSHART ASSOCIATES and shall not be reproduced or copied or used in whole or in part in any form for any purpose without the express written consent of BOSHART ASSOCIATES.

ITEM	QTY	PART NUMBER	DESCRIPTION	REF DESIGNATOR
<p>UNLESS OTHERWISE SPECIFIED DIMENSIONS ARE IN INCHES. TOLERANCES: DECIMALS (XXX) IN FRACTIONS (X).</p>				
NEXT ASSY		MOD NO	APPROVAL: <b>D. POORE</b> DATE: <b>10-28-61</b>	
45-72712		STUAP-613C	DRAWN: <b>H. C. ROBE</b> DATE: <b>2-1-61</b>	
			CHKD: <b>J. S. ROBE</b> DATE: <b>2-1-61</b>	
			APP'D: <b>W. P. ROBE</b> DATE: <b>2-1-61</b>	
			RELEASED: <b>W. P. ROBE</b> DATE: <b>2-1-61</b>	
<p>DO NOT SCALE DRAWING</p>				
<p><b>BOSHART</b></p>			<p>BOSHART ASSOCIATES BURNHAYLE, CALIFORNIA</p>	
<p>SCHEMATIC 3T SWITCHING REG. MODEL: 3T12AP-6130</p>				
REV		DATE	BY	CHKD
D		90-12703	W. P. ROBE	C
SCALE		NONE	SHEET 1 OF 1	