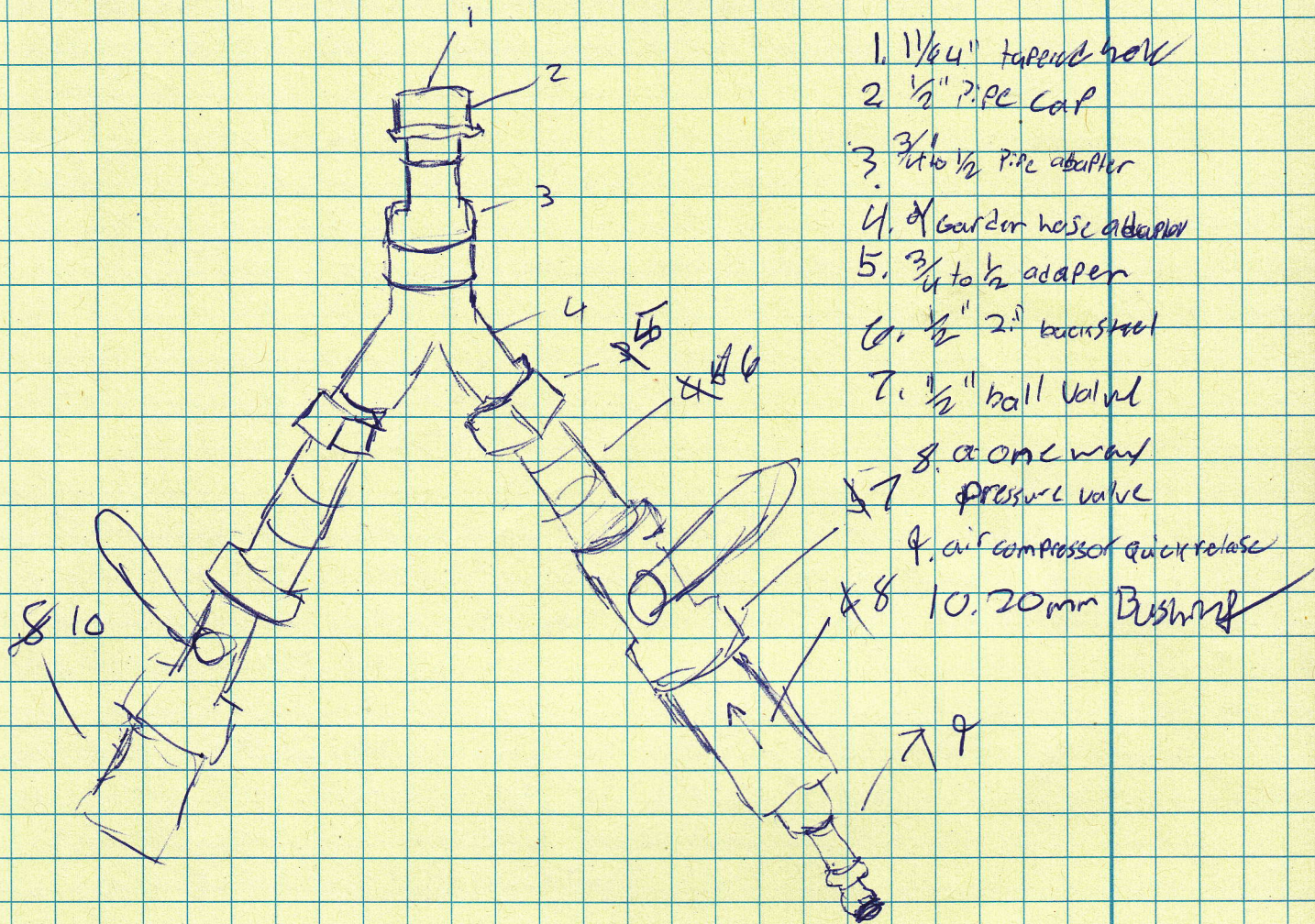


11/13/12 *[Signature]*

We have a repaired a Pressure washer and Compressor we now need to build the nozzle for the snow machine

I have Priced out the Standard nozzle and it is around 50\$ but after viewing some major flaws and my own lack of some materials I have decided to Redesign.



1. 1/4" tapered nozzle
2. 1/2" pipe cap
3. 3/4 to 1/2 pipe adapter
4. garden hose adapter
5. 3/4 to 1/2 adapter
6. 1/2" 2" backsteel
7. 1/2" ball valve
8. one way pressure valve
9. air compressor quick release
10. 10.20mm Bushing

I have added 8 in hopes of ~~leaving~~ being able to leave it on with out having to watch it constant- I have also sub tracted some ~~very~~ expensive prices bring down the price by about 20\$

I dont know how we will pay for this I will have to keep thinking about that
 amount *[Signature]* 11:35