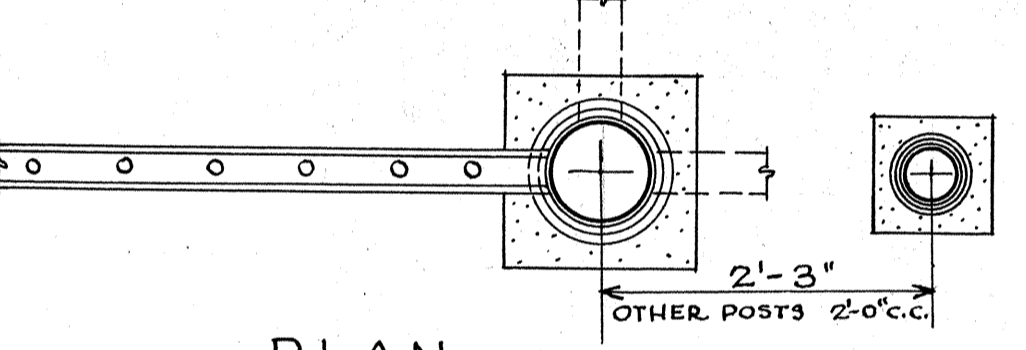
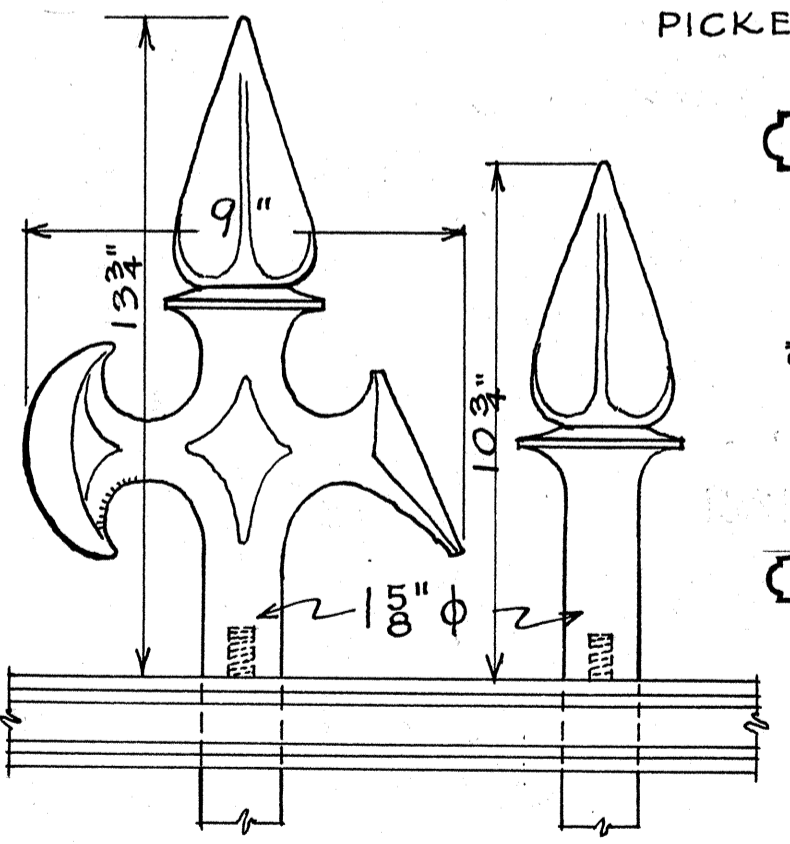


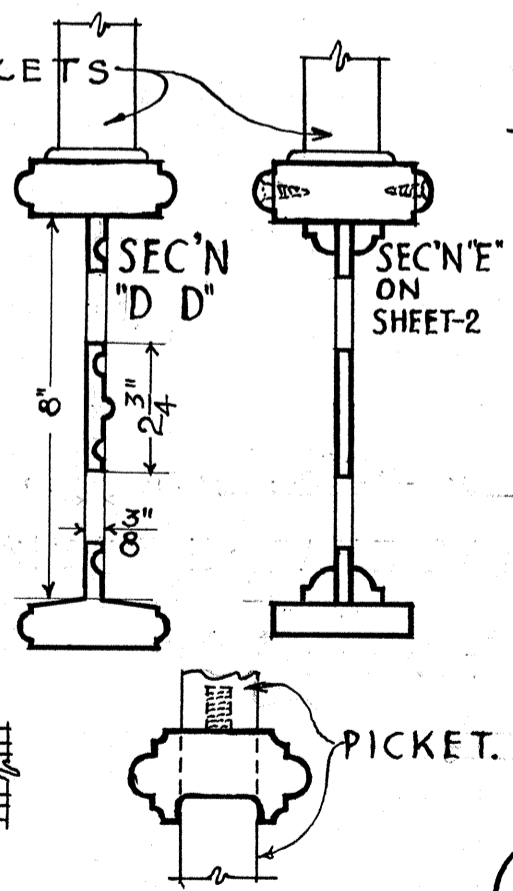
PICKETS AND TYPICAL POST
INTERMEDIATE POST AT GATE B



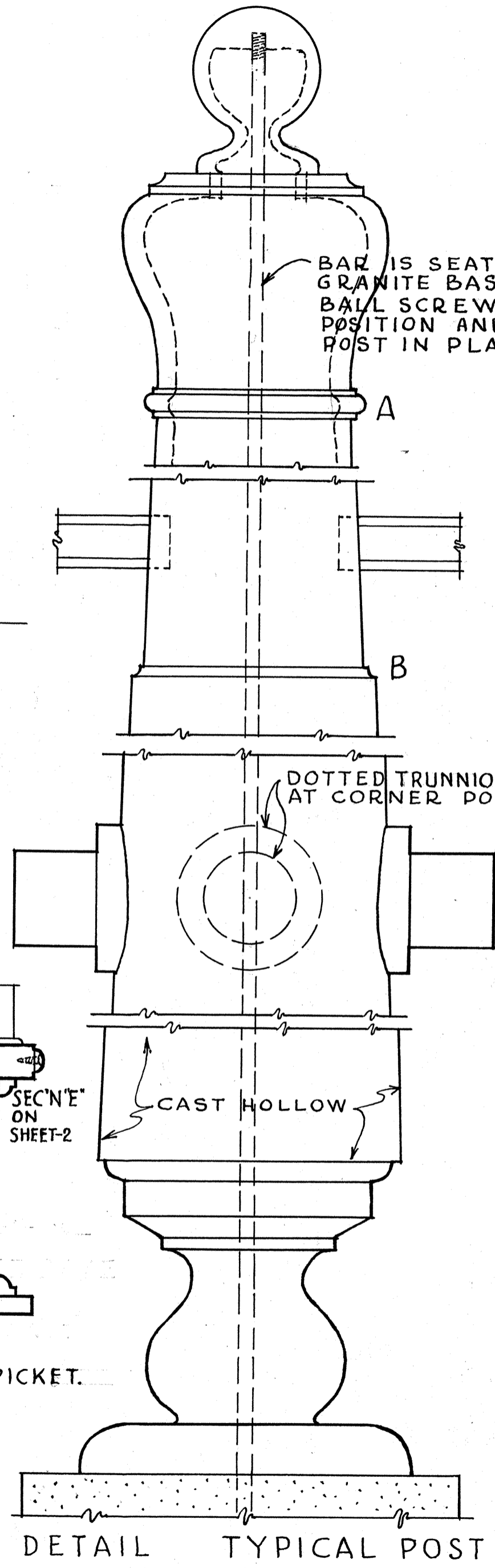
PLAN



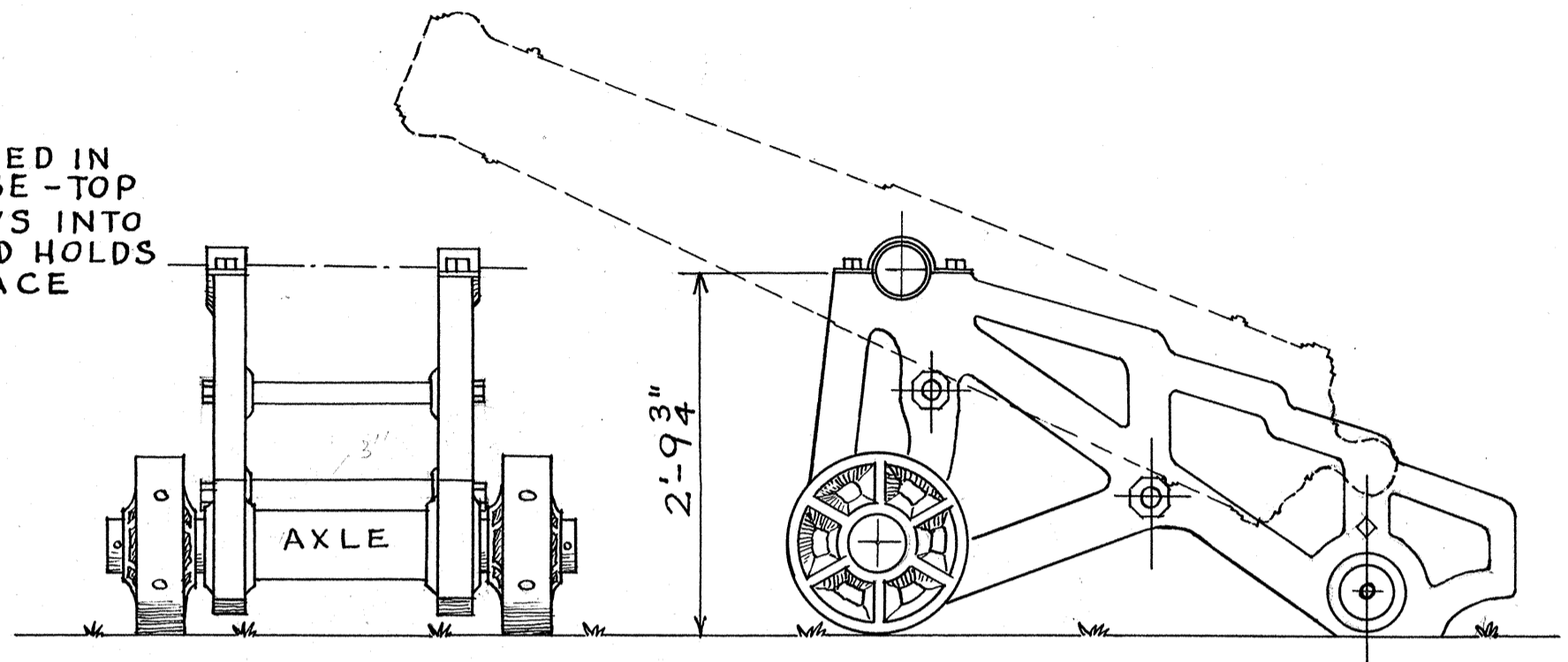
PICKET DETAILS
PICKET HEADS SCREW IN PLACE



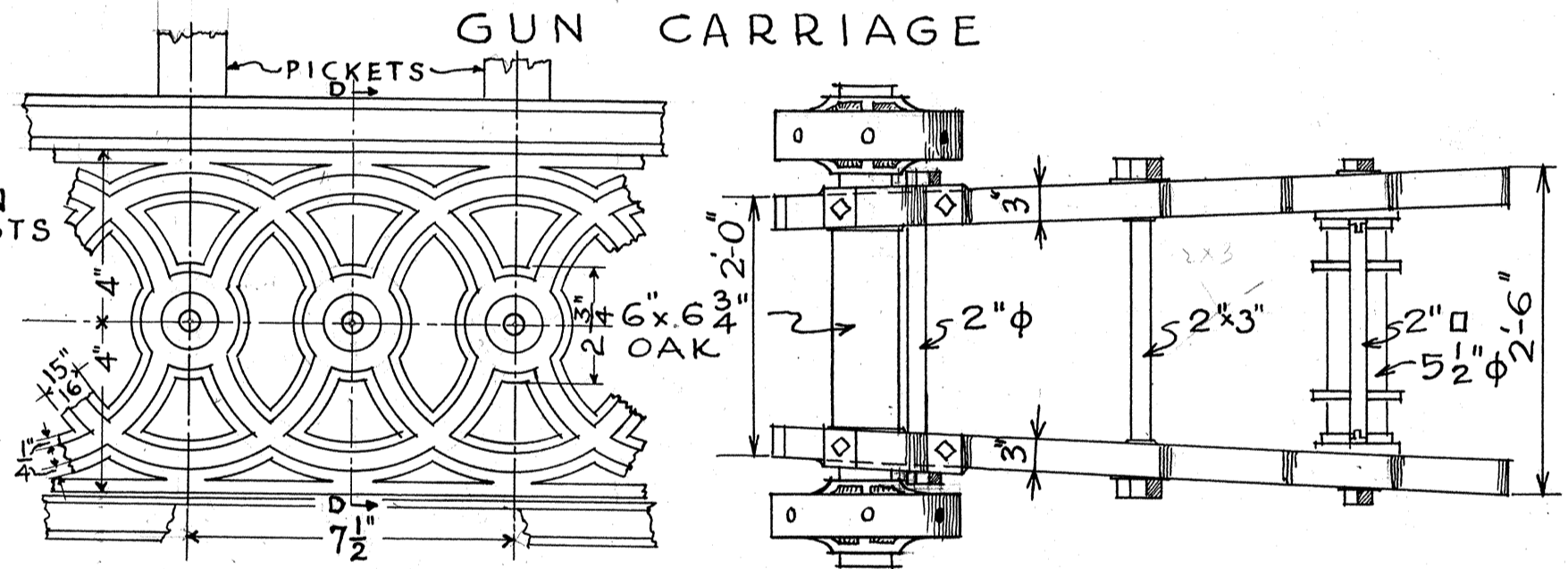
RAIL



DETAIL TYPICAL POST

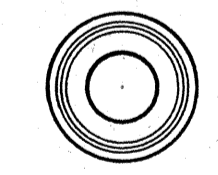


FRONT ELEVATION SIDE ELEVATION

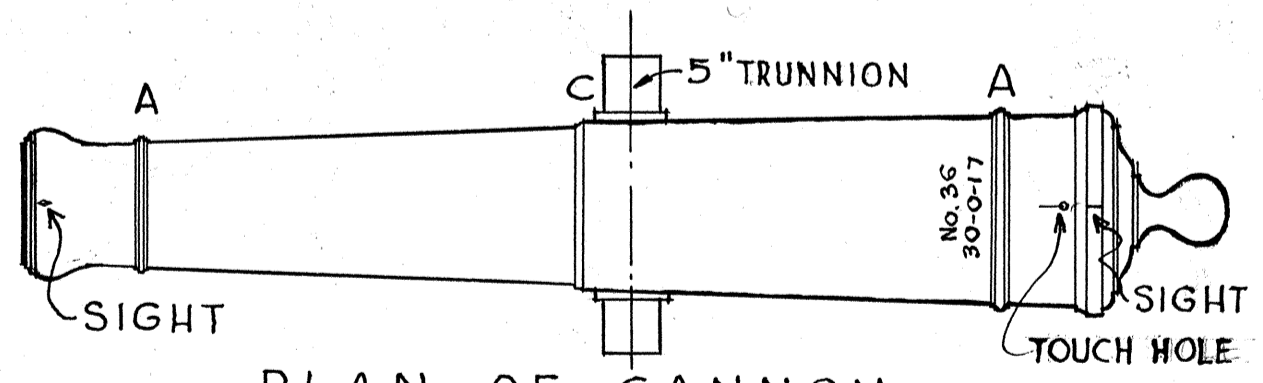


BOTTOM OF FENCE.
(CAST-IRON)

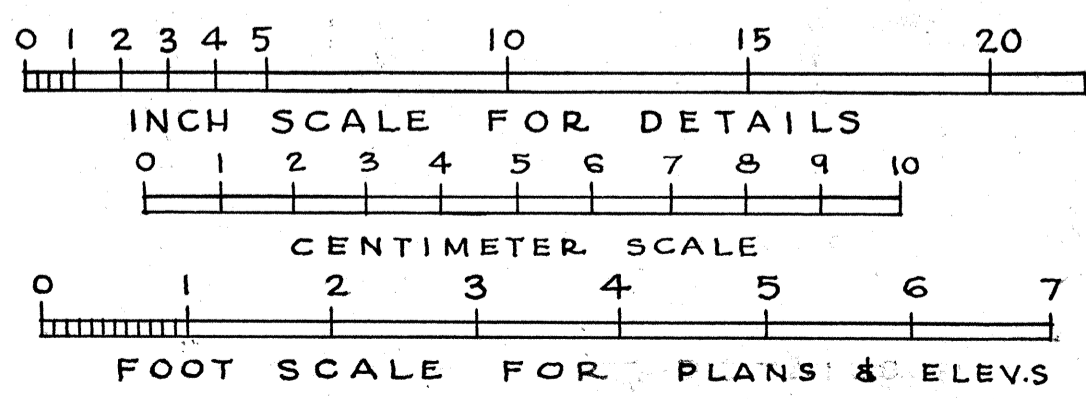
PLAN OF GUN CARRIAGE



MOUTH



PLAN OF CANNON



JOHN LATIMER TURNER DEL.

DATE OF FENCE AND PARK 1858